



BOSCH

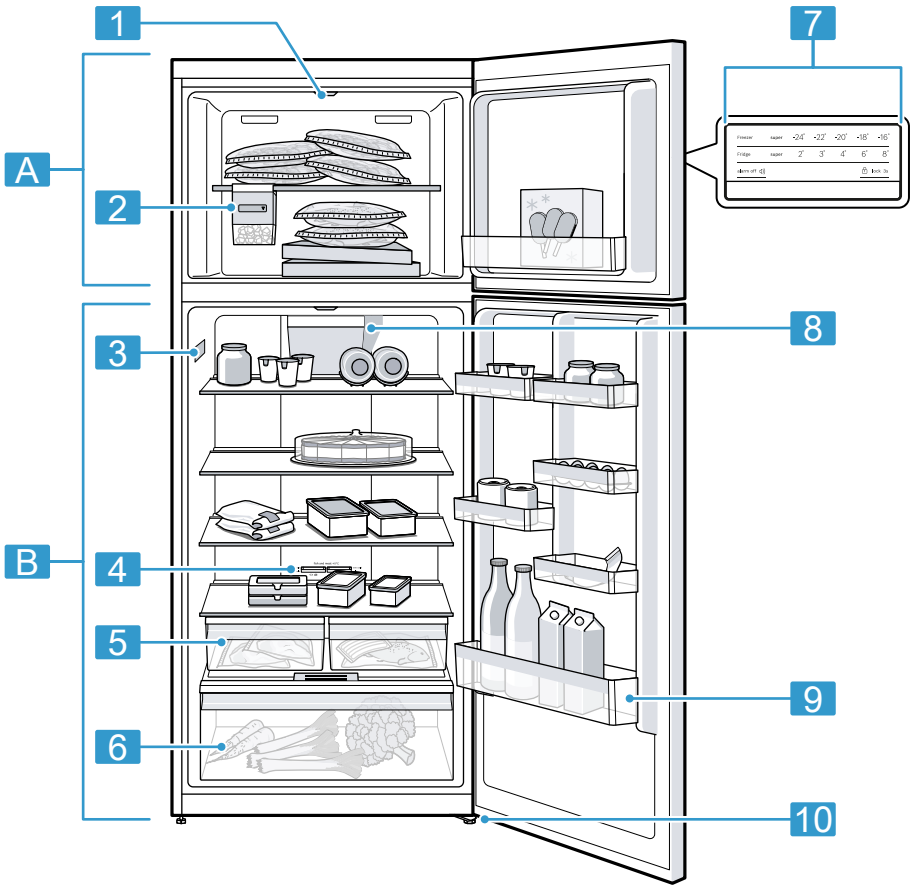


Register your
new device on
MyBosch now and
get free benefits:
[bosch-home.com/
welcome](https://bosch-home.com/welcome)

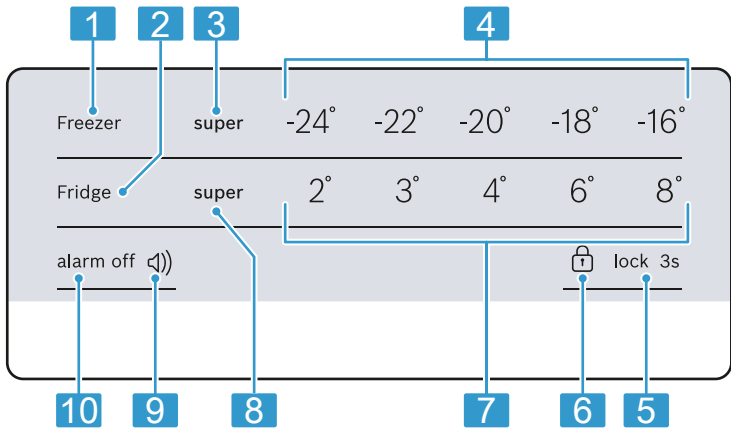
Fridge-freezer

KDN76..

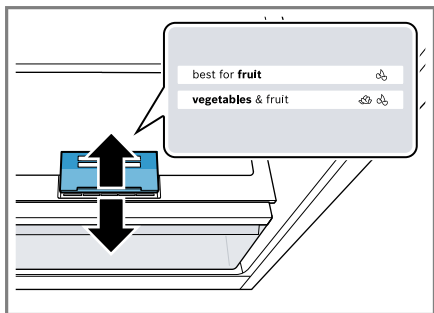
[en]	Information for Use	Fridge-freezer	5
[ru]	Руководство пользователя	Холодильно-морозильная комбинация	30
[kk]	Пайдаланушы нұсқаулықтар	Салқындату және мұздату құрамдастырылуы	58
[uz]	Foydalanuvchi qo'llanmasi		85
[ar]	دليل المستخدم	ثلاجة التبريد والتجميد	112



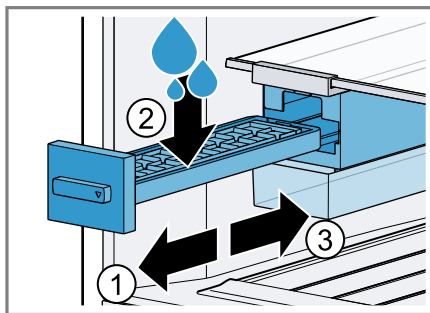
1



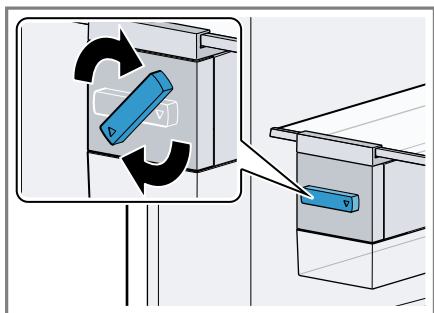
2



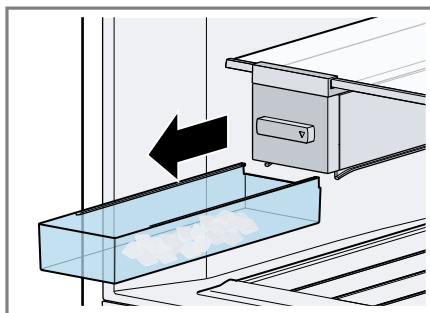
3



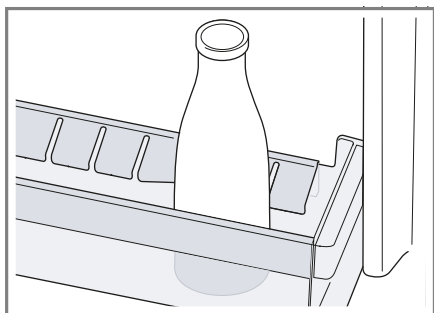
4



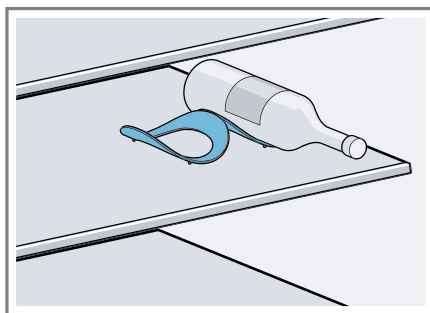
5



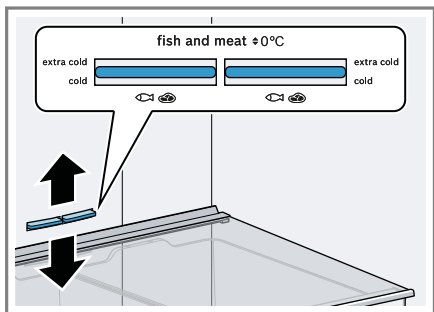
6



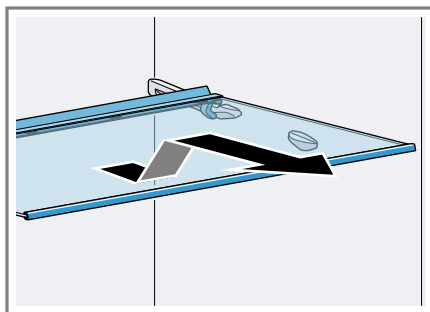
7



8



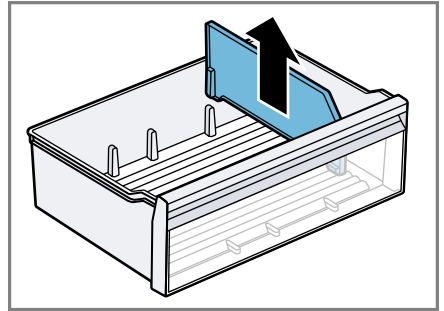
9



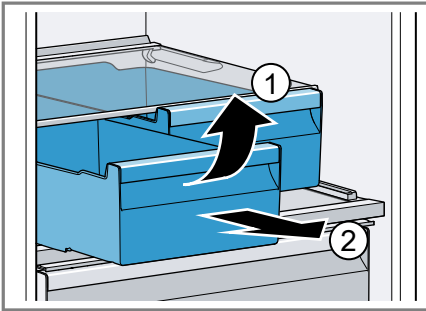
10



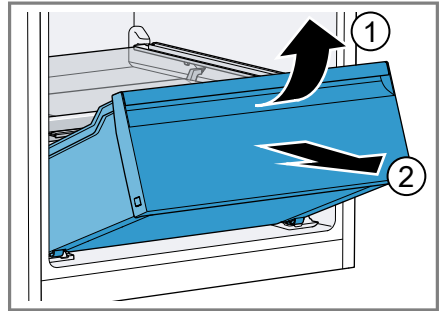
11



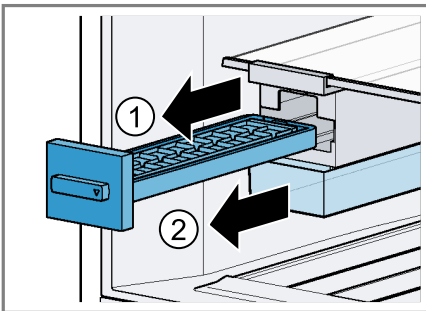
12



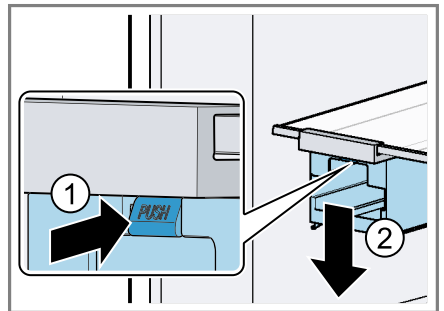
13



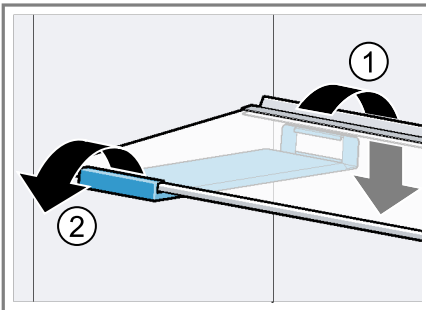
14



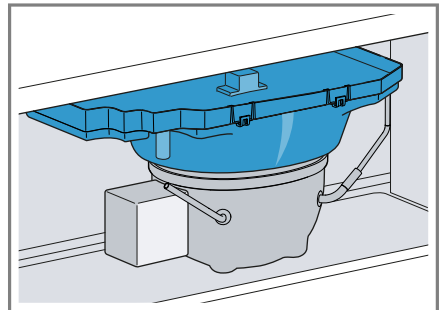
15



16



17



18

Further information and explanations are available online:



Table of contents

1 Safety	7	6.6 Ice cube maker	17
1.1 General information.....	7	6.7 Accessories.....	18
1.2 Intended use.....	7	7 Basic operation	18
1.3 Restriction on user group.....	7	7.1 Switching on the appliance.....	18
1.4 Safe transport.....	7	7.2 Operating tips.....	18
1.5 Safe installation	8	7.3 Switching off the appliance.....	19
1.6 Safe use	9	7.4 Setting the temperature.....	19
1.7 Damaged appliance.....	11	7.5 Button lock (childproof lock)...	19
2 Preventing material damage	13	8 Additional functions	19
3 Environmental protection and saving energy	13	8.1 Super cooling	19
3.1 Disposing of packaging	13	8.2 Super freezing	20
3.2 Saving energy.....	13	9 Alarm	20
4 Installation and connection	14	9.1 Door alarm	20
4.1 Scope of delivery.....	14	9.2 Temperature alarm.....	20
4.2 Criteria for the installation location.....	14	10 Refrigerator compartment	21
4.3 Installing the appliance	15	10.1 Tips for storing food in the refrigerator compartment	21
4.4 Preparing the appliance for the first time.....	15	10.2 Chill zones in the refrigerator compartment.....	21
4.5 Connecting the appliance to the electricity supply.....	15	11 Freezer compartment	21
5 Familiarising yourself with your appliance	15	11.1 Freezing capacity	21
5.1 Appliance	15	11.2 Fully utilising the freezer compartment volume	22
5.2 Control panel.....	15	11.3 Tips for storing food in the freezer compartment.....	22
6 Features	16	11.4 Tips for freezing fresh food ...	22
6.1 Shelf.....	16	11.5 Shelf life of frozen food at -18 °C.....	22
6.2 Storage container.....	16	11.6 Defrosting methods for frozen food	22
6.3 Fruit and vegetable container with humidity control	16		
6.4 Container divider	17		
6.5 Door rack.....	17		

12 Defrosting	23
12.1 Defrosting in the refrigerator compartment.....	23
12.2 Defrosting in the freezer compartment	23
13 Cleaning and servicing	23
13.1 Preparing the appliance for cleaning	23
13.2 Cleaning the appliance	23
13.3 Removing the fittings.....	24
14 Troubleshooting	25
14.1 Power failure.....	28
14.2 Conducting an appliance self-test	28
15 Storage and disposal	28
15.1 Taking the appliance out of operation	28
15.2 Disposing of old appliance ...	29
16 Customer Service	29
16.1 Product number (E-Nr.) and production number (FD).....	29
17 Technical data	29



1 Safety

Observe the following safety instructions.

1.1 General information

- Read this instruction manual carefully.
- Keep the instruction manual and the product information safe for future reference or for the next owner.
- Do not connect the appliance if it has been damaged in transit.

1.2 Intended use

Only use this appliance:

- for chilling and freezing food and for making ice cubes.
- in private households and in enclosed spaces in a domestic environment.
- Up to an altitude of 2000 m above sea level.

1.3 Restriction on user group

This appliance may be used by children aged 8 or over and by people who have reduced physical, sensory or mental abilities or inadequate experience and/or knowledge, provided that they are supervised or have been instructed on how to use the appliance safely and have understood the resulting dangers.

Do not let children play with the appliance.

Cleaning and user maintenance must not be performed by children unless they are being supervised.

1.4 Safe transport

WARNING – Risk of injury!

The high weight of the appliance may result in injury when lifted.

- ▶ Do not lift the appliance on your own.

1.5 Safe installation

WARNING – Risk of electric shock!

Incorrect installation is dangerous.

- ▶ Connect and operate the appliance only in accordance with the specifications on the rating plate.
- ▶ Connect the appliance to a power supply with alternating current only via a properly installed socket with earthing.
- ▶ The protective conductor system of the domestic electrical installation must be properly installed.
- ▶ Never equip the appliance with an external switching device, e.g. a timer or remote control.
- ▶ When the appliance is installed, the mains plug of the power cord must be freely accessible. If free access is not possible, an isolating switch must be integrated into the permanent electrical installation according to the installation regulations.
- ▶ When installing the appliance, check that the power cable is not trapped or damaged.

If the insulation of the power cord is damaged, this is dangerous.

- ▶ Never let the power cord come into contact with heat sources.

WARNING – Risk of explosion!

If the appliance's ventilation openings are sealed, a leak in the refrigeration circuit may result in a flammable mixture of gas and air.

- ▶ Keep ventilation openings, in the appliance enclosure or in the built-in structure, clear of obstruction.

WARNING – Risk of fire!

It is dangerous to use an extended power cord and non-approved adapters.

- ▶ Do not use extension cables or multiple socket strips.
- ▶ Only use adapters and power cords approved by the manufacturer.
- ▶ If the power cord is too short and a longer one is not available, please contact an electrician to have the domestic installation adapted.

Portable multiple socket strips or portable power supply units may overheat and cause a fire.

- ▶ Do not place portable multiple socket strips or power supply units on the back of the appliance.

1.6 Safe use

WARNING – Risk of electric shock!

An ingress of moisture can cause an electric shock.

- ▶ Only use the appliance in enclosed spaces.
- ▶ Never expose the appliance to intense heat or humidity.
- ▶ Do not use steam- or high-pressure cleaners to clean the appliance.

WARNING – Risk of suffocation!

Children may put packaging material over their heads or wrap themselves up in it and suffocate.

- ▶ Keep packaging material away from children.
 - ▶ Do not let children play with packaging material.
- Children may breathe in or swallow small parts, causing them to suffocate.
- ▶ Keep small parts away from children.
 - ▶ Do not let children play with small parts.

WARNING – Risk of explosion!

If the cooling circuit is damaged, flammable refrigerant may escape and explode.

- ▶ To accelerate the defrosting process, do not use any other mechanical devices or means other than those recommended by the manufacturer.
- ▶ If food is stuck to the freezer compartment, loosen it with a blunt implement such as the handle of a wooden spoon.

Products which contain flammable propellants and explosive substances may explode, e.g. spray cans.

- ▶ Do not store products which contain flammable propellants (e.g. spray cans) or explosive substances in the appliance.

⚠ WARNING – Risk of fire!

Electrical devices within the appliance may cause a fire, e.g. heaters or electric ice makers.

- ▶ Do not operate electrical devices within the appliance.

⚠ WARNING – Risk of injury!

Containers that contain carbonated drinks may burst.

- ▶ Do not store containers that contain carbonated drinks in the freezer compartment.

Injury to the eyes caused by escaping flammable refrigerant and hazardous gases.

- ▶ Do not damage the tubes of the refrigerant circuit or the insulation.

The appliance may tip.

- ▶ Do not stand or support yourself on the base, runners or doors.

⚠ WARNING – Risk of burns!

Individual parts on the back of the appliance become hot during operation.

- ▶ Never touch these hot parts.

⚠ WARNING – Risk of cold burns!

Contact with frozen food and cold surfaces may cause burns by refrigeration.

- ▶ Never put frozen food straight from the freezer compartment into your mouth.

- ▶ Avoid prolonged contact of the skin with frozen food, ice and surfaces in the freezer compartment.

⚠ CAUTION – Risk of harm to health!

To prevent food from being contaminated, you must observe the following instructions.

- ▶ If the door is open for an extended period of time, this may lead to a considerable temperature increase in the compartments of the appliance.

- ▶ Regularly clean the surfaces that may come into contact with food and accessible drain systems.

- ▶ Store raw meat and fish in suitable containers in the refrigerator so that they do not touch or drip on other food.
- ▶ If the fridge/freezer is empty for an extended period of time, switch off the appliance, defrost it, clean it and leave the door open to prevent the formation of mould.

Metal or metal-style parts in the appliance may contain aluminium. If acidic food comes into contact with aluminium in the appliance, aluminium foil ions may pass into the food.

- ▶ Do not consume soiled food.

1.7 Damaged appliance

WARNING – Risk of electric shock!

If the appliance or the power cord is damaged, this is dangerous.

- ▶ Never operate a damaged appliance.
- ▶ Never pull on the power cord to unplug the appliance. Always unplug the appliance at the mains.
- ▶ If the appliance or the power cord is damaged, immediately unplug the power cord or switch off the fuse in the fuse box.
- ▶ Call customer services. → *Page 29*

Improper repairs are dangerous.

- ▶ Repairs to the appliance should only be carried out by trained specialist staff.
- ▶ Only use genuine spare parts when repairing the appliance.
- ▶ If the power cord of this appliance is damaged, it must be replaced by the manufacturer, the manufacturer's Customer Service or a similarly qualified person in order to prevent any risk.

WARNING – Risk of fire!



If the tubes are damaged, flammable refrigerant and harmful gases may escape and ignite.

- ▶ Keep naked flames and ignition sources away from the appliance.
- ▶ Ventilate the room.
- ▶ Switch off the appliance. → *Page 19*

en Safety

- ▶ Unplug the appliance from the mains or switch off the circuit breaker in the fuse box.
- ▶ Call after-sales service. → *Page 29*

2 Preventing material damage

ATTENTION!

If not rolling freely, the appliance's castors may damage the floor when the appliance is moved.

- ▶ Transport the appliance using a sack truck.
- ▶ Use floor protection when moving the appliance, and do not move it in a zigzag fashion.

Using the appliance, base, runners or doors as a seat or climbing surface may damage the appliance.

- ▶ Do not stand or lean on the appliance, base, runners or doors.

Contamination with oil or fat may cause plastic parts and door seals to become porous.

- ▶ Keep plastic parts and door seals free of oil and grease.

Metal or metal-style parts in the appliance may contain aluminium. Aluminium reacts when it comes into contact with acidic foods.

- ▶ Do not store unpackaged food in the appliance.

If you clean fittings and accessories in the dishwasher, this may cause them to become deformed or discoloured.

- ▶ Never clean fittings and accessory in the dishwasher.

3 Environmental protection and saving energy

3.1 Disposing of packaging

The packaging materials are environmentally compatible and can be recycled.

- ▶ Sort the individual components by type and dispose of them separately.

3.2 Saving energy

If you follow these instructions, your appliance will use less power.

Selecting the installation location

- Keep the appliance out of direct sunlight.
- Install the appliance as far away as possible from heating elements, cookers and other heat sources:
 - Maintain a 30 mm clearance to electric or gas cookers.
 - Maintain a 300 mm clearance to oil or solid-fuel cookers.
- Make sure there is a distance of 50 mm between the side wall and the appliance.
- Never cover or block the external ventilation openings.

Saving energy during use

Note: The arrangement of the fittings does not affect the energy consumption of the appliance.

- Open the appliance only briefly and then close it carefully.
- Never cover or block the interior ventilation openings or the exterior ventilation openings.
- Transport purchased food in a cool bag and place in the appliance quickly.

en Installation and connection

- Allow warm food and drinks to cool down before storing them.
- Thaw frozen food in the refrigerator compartment to utilise the low temperature of the food.
- Always leave some space between the food and to the back panel.

Standby mode

If the appliance is not being used, the display automatically switches to standby mode.

In standby mode, the brightness of the control panel is reduced.

4 Installation and connection

4.1 Scope of delivery

After unpacking all parts, check for any transport damage and for completeness of delivery.

If you have any complaints, contact your dealer or our after-sales service → *Page 29*.

The delivery consists of the following:

- Free-standing appliance
- Equipment and accessories¹
- Installation material
- Installation instructions
- User manual
- Customer service directory
- Warranty enclosure²
- Energy label
- Information on energy consumption and noises

4.2 Criteria for the installation location

WARNING **Risk of explosion!**

If the appliance is in a space that is too small, a leak in the refrigeration circuit may result in a flammable mixture of gas and air.

- ▶ Only install the appliance in a space with a volume of at least 1 m³ per 8 g refrigerant. The volume of refrigerant is indicated on the rating plate. → *Fig. 1/3*

The weight of the appliance ex works may be up to 95 kg depending on the model.

The subfloor must be sufficiently stable to bear the weight of the appliance.

Permitted room temperature

The permitted room temperature depends on the appliance's climate class.

The climate class can be found on the rating plate. → *Fig. 1/3*

Climate class	Permitted room temperature
SN	10 °C to 32 °C
N	16 °C to 32 °C
ST	16 °C to 38 °C
T	16 °C to 43 °C

The appliance is fully functional within the permitted room temperature.

If an appliance with climate class SN is operated at colder room temperatures, the appliance will not be damaged up to a room temperature of 5 °C.

¹ Depending on the appliance specifications

² Not in all countries

Over-and-under and side-by-side installation

If you want to install 2 refrigerating appliances one over the other or side by side, you must maintain a clearance of at least 150 mm between the appliances. Selected appliances can be installed without a minimum clearance. Ask your dealer or kitchen planner about this.

4.3 Installing the appliance

- ▶ Install the appliance in accordance with the enclosed installation instructions.

4.4 Preparing the appliance for the first time

1. Remove the informative material.
2. Remove the protective foil and transit bolts, e.g. remove the adhesive strips and carton.
3. Clean the appliance for the first time. → *Page 23*

4.5 Connecting the appliance to the electricity supply

1. Insert the mains plug of the appliance's power cable in a socket nearby.
The connection data of the appliance can be found on the rating plate. → *Fig. 1* / *3*
2. Check the mains plug is inserted properly.
- ✓ The appliance is now ready for use.

5 Familiarising yourself with your appliance

5.1 Appliance

You can find an overview of the parts of your appliance here.

→ *Fig. 1*

A	Freezer compartment → <i>Page 21</i>
B	Refrigerator compartment → <i>Page 21</i>
1	Lighting
2	Ice cube maker → <i>Page 17</i>
3	Rating plate → <i>Page 29</i>
4	Temperature controller (storage container) → <i>Page 19</i>
5	Storage container → <i>Page 16</i>
6	Fruit and vegetable container with humidity control → <i>Page 16</i>
7	Control panel → <i>Page 15</i>
8	Interior ventilation opening (refrigerator compartment)
9	Door storage compartment for large bottles → <i>Page 17</i>
10	Screw foot

Note: Deviations between your appliance and the diagrams may differ with regard to their features and size.

5.2 Control panel

You can use the control panel to configure all functions of your appliance and to obtain information about the operating status.

→ *Fig. 2*


-
- 1** **Freezer** sets the temperature of the freezer compartment.

 - 2** **Fridge** sets the temperature of the refrigerator compartment.

 - 3** **super** (Freezer compartment) lights up when Super freezing is switched on.


 - 4** Displays the set temperature for the freezer compartment in °C.

 - 5** **lock 3s** switches the button lock for the control panel on or off.

 - 6**  lights up when the button lock is activated.

 - 7** Displays the set temperature for the refrigerator compartment in °C.

 - 8** **super** (Refrigerator compartment) lights up when Super cooling is switched on.

 - 9**  lights up when the alarm is switched on.

 - 10** **alarm off** switches the warning signal off.

6 Features

The features of your appliance depend on the model.

6.1 Shelf

To vary the shelf as required, you can remove the shelf and re-insert it elsewhere.

→ "Removing the shelf", Page 24

6.2 Storage container

The temperatures in the storage container are lower than in the refrigerator compartment. Temperatures below 0 °C may occur occasionally.

In order to reach temperatures close to 0 °C in the storage container, set the refrigerator compartment temperature to 2 °C. → Page 19



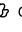
Use the lower temperatures in the storage container to store highly perishable food, e.g. fish, meat and sausages.

6.3 Fruit and vegetable container with humidity control

Store fresh fruit and vegetables loose in the fruit and vegetable container. Cover any chopped fruit and vegetables, or store in air-tight packaging. You can adjust the humidity in the fruit and vegetable container using the humidity controller. This allows fresh fruit and vegetables to be stored for longer than with conventional storage.

→ Fig. **3**

The air humidity in the fruit and vegetable container can be set according to the type and amount of food to be stored by moving the humidity controller:

- Low humidity  required when primarily storing fruit or mixed items, or if the appliance is very full.
- High humidity   required when primarily storing vegetables or when the appliance is not very full.

Condensation may form in the fruit and vegetable container depending on the food and quantity stored. Remove the condensation with a dry cloth and adjust the air humidity to a lower setting using the humidity controller.

To ensure that the quality and aroma are retained, store fruit and vegetables that are sensitive to cold outside of the appliance at temperatures of approx. 8 °C to 12 °C, e.g. pineapple, bananas, citrus fruits, cucumbers, courgettes, peppers, tomatoes and potatoes.

6.4 Container divider

To vary the division of the fruit and vegetable container, you can remove the container divider or move it to a

different location.

→ "Removing the container divider", Page 24

6.5 Door rack

To adjust the door rack as required, you can remove the door rack and re-insert elsewhere.

→ "Removing door rack", Page 24

6.6 Ice cube maker

Use the ice cube maker to make ice cubes out of drinking water.

Making ice cubes

Use only drinking water to make ice cubes.

1. Remove the ice cube tray ①, fill $\frac{3}{4}$ full with drinking water ② and re-insert ③.

→ Fig. **4**

Note: If it is filled with too much drinking water, this may impair the function of the ice cube maker. The ice cubes cannot be removed individually from the ice cube tray. Too much drinking water was added and is running into the ice cube container, causing any ice cubes to freeze together.

2. When the ice cubes are frozen, rotate the knob on the ice cube tray several times in a clockwise direction and release it.

→ Fig. **5**

- ✓ The ice cubes will loosen and fall into the ice cube container.
3. Pull out the ice storage container and remove the ice cubes.

→ Fig. **6**

6.7 Accessories

Use original accessories. These have been made especially for your appliance.

The accessories for your appliance depend on the model.

Egg tray

Store eggs safely on the egg tray.

Bottle holder

The bottle holder prevents bottles from falling over when the appliance door is opened and closed.

→ Fig. 7

Variable bottle shelf

Store bottles securely on the variable bottle shelf.

→ Fig. 8

Ice cube tray

Use the ice cube tray to make ice cubes.

Making ice cubes

Use only drinking water to make ice cubes.

1. Fill the ice cube tray with drinking water up to $\frac{3}{4}$ and place in the freezer compartment.

If the ice cube tray is stuck to the freezer compartment, loosen it with a blunt implement such as the handle of a wooden spoon.


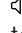
2. To loosen the ice cubes, twist the ice cube tray slightly or hold it briefly under flowing water.

7 Basic operation

7.1 Switching on the appliance

1. Electrically connect the appliance.
→ Page 15

Note: If the appliance has been previously switched off using the control panel, press and hold alarm off for 15 seconds.

- ✓ The appliance begins to cool.
 - ✓ A warning tone sounds, the temperature display (freezer compartment) flashes and  flashes red because the freezer compartment is still too warm.
2. Switch off the warning tone using alarm off.
 - ✓  goes out as soon as the set temperature has been reached.
 3. Set the required temperature.
→ Page 19

7.2 Operating tips

- Once you have switched on the appliance, the set temperature is only reached after several hours. Do not put any food in the appliance until the set temperature has been reached.
- The front and side panels of the housing heat up occasionally. This prevents condensation from forming.
- When you close the door, a vacuum may be created. The door is then difficult to open again. Wait a moment until the vacuum is offset.
- The temperature in the appliance varies due to the following conditions:
 - How often the appliance is opened
 - Load capacity

- Temperature of newly stored food
- Ambient temperature
- Direct sunlight

7.3 Switching off the appliance

- ▶ alarm off Press and hold for 15 seconds.

7.4 Setting the temperature

Setting the refrigerator compartment temperature

- ▶ Press **Fridge** repeatedly until the temperature display shows the required temperature setting.

To reach the set temperature, slide the temperature controller for the storage container to a position that is one third from the bottom.

→ *Page 19*

The recommended temperature in the refrigerator compartment is 4 °C.

Setting the storage container temperature

1. To reduce the temperature, slide the temperature controller in the **extra cold** direction.
2. To increase the temperature, slide the temperature controller in the **cold** direction.

→ *Fig. 9*

Setting the freezer compartment temperature


- ▶ Press **Freezer** repeatedly until the temperature display shows the required temperature setting.

The recommended temperature in the freezer compartment is –18 °C.


7.5 Button lock (childproof lock)

The button lock prevents the appliance from being operated accidentally or incorrectly while running.

Switching on the button lock

- ▶ Press and hold **lock** 3s for three seconds.
- ✓  lights up.

Switching off the button lock

- ▶ Press and hold **lock** 3s for three seconds.
- ✓  goes out.

8 Additional functions

Find out which additional functions can be used for your appliance.

8.1 Super cooling

With Super cooling, the refrigerator compartment cools as cold as possible.

Switch on Super cooling before placing large quantities of food.

Note: When Super cooling is switched on, increased noise may occur.

Switching on Super cooling

- ▶ Press **Fridge** repeatedly until **super** (Refrigerator compartment) lights up.

Note: After approx. 6 hours, the appliance switches to normal operation.

Switching off Super cooling

- ▶ Press **Fridge** repeatedly until the temperature display (refrigerator compartment) shows the required temperature.

8.2 Super freezing

With Super freezing, the freezer compartment cools as cold as possible. Switch on Super freezing four to six hours before placing food weighing 2 kg or more into the freezer compartment.

In order to utilise the freezer capacity, use Super freezing.

→ "Prerequisites for freezing capacity", Page 21

Note: When Super freezing is switched on, increased noise may occur.

Switching on Super freezing

- ▶ Press **Freezer** repeatedly until **super** (Freezer compartment) lights up.

Note: After approx. 54 hours, the appliance switches to normal operation.

Switching off Super freezing

- ▶ Press **Freezer** repeatedly until the temperature display (freezer compartment) shows the required temperature.

9 Alarm

9.1 Door alarm

If the appliance door is open for a while, the door alarm switches on. A warning tone sounds and 🔔 flashes red.

Switching off the door alarm

- ▶ Close the appliance door or press alarm off.
- ✓ The warning tone is switched off.

9.2 Temperature alarm

If the freezer compartment becomes too warm, the temperature alarm is switched on.

A warning tone sounds, the temperature display (freezer compartment) flashes and 🔔 flashes red.

CAUTION

Risk of harm to health!

During the thawing process, bacteria may multiply and spoil the frozen food.

- ▶ Do not refreeze food after it has been defrosted or started to defrost.
- ▶ Refreeze food only after cooking.
- ▶ These items should no longer be stored for the maximum storage period.

The temperature alarm can be switched on in the following cases:

- The appliance is switched on.
Do not store any food until the appliance has reached the set temperature.
- Large quantities of fresh food are being placed inside.
Switch on Super freezing before placing large quantities of food in the appliance.
- The freezer compartment door is open for too long.
Check whether the frozen food has defrosted or thawed.

Switching off the temperature alarm

- ▶ Press alarm off.
- ✓ The warning tone is switched off.

10 Refrigerator compartment

You can keep meat, sausage, fish, dairy products, eggs, prepared meals and pastries in the refrigerator compartment.

The temperature can be set from 2 °C to 8 °C.

The refrigerator compartment can also be used to store highly perishable foods in the short to medium term. The lower the selected temperature, the longer the food remains fresh.

10.1 Tips for storing food in the refrigerator compartment

- Only store food when fresh and undamaged.
- Store food covered or in air-tight packaging.
- To avoid impeding the circulation of air and to prevent food from freezing, do not place food in front of the inner ventilation openings or in direct contact with the back wall.
- Allow hot food and drinks to cool down first before placing in the appliance.
- Observe the best-before date or use-by date specified by the manufacturer.

10.2 Chill zones in the refrigerator compartment

The air circulation in the refrigerator compartment creates different chill zones.

Coldest zone

The coldest zone is between the arrow stamped on the side and the shelf underneath.

Tip: Store highly perishable food such as fish, sausages and meat in the coldest zone.

Warmest zone

The warmest zone is at the very top of the door.

Tip: Store food that does not spoil easily in the warmest zone, e.g. hard cheese and butter. Cheese can then continue to release its aroma and the butter will still be easy to spread.

11 Freezer compartment

You can store frozen food, freeze food and make ice cubes in the freezer compartment.

The temperature can be set from -16 °C to -24 °C.

Long-term storage of food should be at -18 °C or lower.

The freezer compartment can be used to store perishable food long-term. The low temperatures slow down or stop the spoilage.

11.1 Freezing capacity

The freezing capacity indicates the quantity of food that can be frozen right through to the centre within a specific period of time.

Information on freezing capacity can be found on the rating plate.

→ Fig. 1 / 3

Prerequisites for freezing capacity

1. Approx. 24 hours before placing fresh food in the appliance, switch on Super freezing.
→ "Switching on Super freezing", Page 20
2. Fill the front area of the freezer compartment shelf with food first.

en Freezer compartment

3. If the front area of the freezer compartment shelf does not have enough space, store the remaining food in the front area of the freezer compartment floor.

11.2 Fully utilising the freezer compartment volume

Learn how to store the maximum amount of frozen food in the freezer compartment.

1. Remove all fittings from the freezer compartment. → *Page 24*
2. Stack food directly on the floor of the freezer compartment.

11.3 Tips for storing food in the freezer compartment

- Store food in air-tight packaging.
- Do not bring food which is to be frozen into contact with frozen food.
- Spread out the food over a wide area in the freezer compartment.

11.4 Tips for freezing fresh food

- Freeze fresh and undamaged food only.
- Freeze food in portions.
- Cooked food is more suitable than food that can be eaten raw.
- Vegetables: Wash, chop up and blanch before freezing.
- Fruit: Wash, pit and perhaps peel, possibly add sugar or ascorbic acid solution.
- Food that is suitable for freezing includes baked items, fish and seafood, meat, game, poultry, eggs without shells, cheese, butter and quark, ready meals and leftovers.

- Food that is unsuitable for freezing includes lettuce, radishes, eggs in shells, grapes, raw apples and pears, yoghurt, sour cream, crème fraîche and mayonnaise.

Packing frozen food

If you select suitable packaging material and the correct type of packaging, you can determine the product quality and prevent freezer burn.

1. Place the food in the packaging.
2. Squeeze out the air.
3. Pack food airtight to prevent it from losing flavour and drying out.
4. Label the packaging with the contents and the date of freezing.

11.5 Shelf life of frozen food at $-18\text{ }^{\circ}\text{C}$

Food	Storage time
Fish, sausages, prepared meals and baked goods	up to 6 months
Poultry, meat	up to 8 months
Vegetables, fruit	up to 12 months

The imprinted freezer calendar indicates the maximum storage duration in months at a constant temperature of $-18\text{ }^{\circ}\text{C}$.

11.6 Defrosting methods for frozen food

CAUTION Risk of harm to health!

During the thawing process, bacteria may multiply and spoil the frozen food.

- ▶ Do not refreeze food after it has been defrosted or started to defrost.
- ▶ Refreeze food only after cooking.

- ▶ These items should no longer be stored for the maximum storage period.
- Defrost animal-based food, such as fish, meat, cheese, quark, in the refrigerator compartment.
- Defrost bread at room temperature.
- Prepare food for immediate consumption in the microwave, in the oven, or on the hob.

12 Defrosting

12.1 Defrosting in the refrigerator compartment

The refrigerator compartment in your appliance defrosts automatically.

12.2 Defrosting in the freezer compartment

The fully automatic NoFrost system ensures that the freezer compartment remains frost-free. Defrosting is not required.

13 Cleaning and servicing

To keep your appliance working efficiently for a long time, it is important to clean and maintain it carefully. Customer Service must clean inaccessible points. Cleaning by customer service can give rise to costs.

13.1 Preparing the appliance for cleaning

1. Switch off the appliance.
→ Page 19

2. Disconnect the appliance from the power supply.
Unplug the appliance from the mains or switch off the circuit breaker in the fuse box.
3. Take out all of the food and store it in a cool place.
Place ice packs (if available) onto the food.
4. Remove all fittings and accessories from the appliance.
→ Page 24

13.2 Cleaning the appliance

WARNING **Risk of electric shock!**

An ingress of moisture can cause an electric shock.

- ▶ Do not use steam- or high-pressure cleaners to clean the appliance.

Liquid in the lighting, controls or inner ventilation openings can be dangerous.

- ▶ The rinsing water must not drip into the lighting, controls or inner ventilation openings.

ATTENTION!

Unsuitable cleaning products may damage the surfaces of the appliance.

- ▶ Do not use hard scouring pads or cleaning sponges.
- ▶ Do not use harsh or abrasive detergents.
- ▶ Do not use cleaning products with a high alcohol content.

If you clean fittings and accessories in the dishwasher, this may cause them to become deformed or discoloured.

- ▶ Never clean fittings and accessory in the dishwasher.
1. Prepare the appliance for cleaning.
→ Page 23

en Cleaning and servicing

2. Clean the appliance, the fittings, the accessories and the door seals with a dish cloth, lukewarm water and a little pH-neutral washing-up liquid.
3. Dry thoroughly with a soft, dry cloth.
4. Insert the fittings.
5. Electrically connect the appliance.
→ *Page 15*
6. Putting the food into the appliance.

13.3 Removing the fittings

If you want to clean the fittings thoroughly, remove these from your appliance.

Removing the shelf

- ▶ Pull out, lift and remove the shelf.
→ *Fig. 10*

Removing door rack

- ▶ Lift the door rack and remove it.
→ *Fig. 11*

Removing the container divider

- ▶ Lift up and remove the container divider.
→ *Fig. 12*

Removing the storage container

1. Pull out the storage container as far as it will go.
2. Lift the storage container at the front ① and remove it ②.
→ *Fig. 13*

Removing the fruit and vegetable container

1. Pull out the fruit and vegetable container as far as it will go.
2. Lift the fruit and vegetable container at the front ① and remove it ②.
→ *Fig. 14*

Removing the ice cube maker

1. Remove and empty the ice cube tray ① and the ice storage container ②.
→ *Fig. 15*
2. Press the push-button ① to release the ice cube maker from the holder and remove the ice cube maker ②.
→ *Fig. 16*
3. Lift the rear end of the holder and lower it behind the freezer compartment shelf ①. Remove the holder towards the front ②.
→ *Fig. 17*

14 Troubleshooting



You can rectify minor faults on your appliance yourself. Read the troubleshooting information before contacting after-sales service. This will avoid unnecessary costs.

WARNING

Risk of electric shock!

Improper repairs are dangerous.

- ▶ Repairs to the appliance should only be carried out by trained specialist staff.
- ▶ Only use genuine spare parts when repairing the appliance.
- ▶ If the power cord of this appliance is damaged, it must be replaced by the manufacturer, the manufacturer's Customer Service or a similarly qualified person in order to prevent any risk.

Fault	Cause and troubleshooting
The appliance is not cooling, the displays and lighting are lit.	Showroom mode is switched on. <ol style="list-style-type: none"> 1. Press and hold Freezer + Fridge for 9–11 seconds until an audible signal sounds. 2. After a short time, check whether your appliance is cooling.
The LED lighting does not work.	Different causes are possible. <ul style="list-style-type: none"> ▶ Call customer service. <p>The customer service number can be found in the enclosed customer service directory.</p>
Side panels of the appliance are warm.	Not a fault. The side panels contain pipes which heat up during the cooling process. Units touching the appliance will not be damaged by the heat. No action required.
A warning tone sounds and  flashes. The door alarm is switched on.	The appliance door is open. <ul style="list-style-type: none"> ▶ Close the appliance door.
A warning tone sounds, the temperature display (freezer compartment) flashes and  flashes red. The temperature alarm is switched on.	Different causes are possible. <ul style="list-style-type: none"> ▶ Press alarm off. ✓ The alarm is switched off. <p>Larger quantities of fresh food have been put in. <ul style="list-style-type: none"> ▶ Do not exceed the max. freezing capacity. → "Freezing capacity", Page 21 </p>

Fault	Cause and troubleshooting
<p>The set temperature is not reached.</p> <p>Fully automatic defrosting no longer works.</p>	<p>The freezer compartment door was open for a long time. The evaporator (refrigeration unit) in the noFrost system is heavily iced up.</p> <p>Requirement: Store the frozen food well insulated in a cool place.</p> <ol style="list-style-type: none"> 1. Switch off the appliance. → <i>Page 19</i> 2. Disconnect the appliance from the mains. Unplug the appliance from the mains or switch off the circuit breaker in the fuse box. 3. Move the appliance away from the wall. 4. Leave the appliance door open. <p>✓ After approx. 20 minutes, the condensation starts to run into the evaporation pan at the rear of the appliance. → <i>Fig. 18</i></p> <ol style="list-style-type: none"> 5. To prevent the evaporation pan from overflowing, mop up the condensation water with a sponge. The evaporator is defrosted if no more condensation water runs into the evaporation pan. 6. Clean the interior of the appliance. → <i>Page 23</i> 7. Switch the appliance back on. → <i>Page 18</i>
<p>The temperature differs greatly from the setting.</p>	<p>Different causes are possible.</p> <ol style="list-style-type: none"> 1. Switch off the appliance. → <i>Page 19</i> 2. Switch the appliance back on after five minutes. → <i>Page 18</i> <ul style="list-style-type: none"> – If the temperature is too warm, check the temperature again after a couple of hours. – If the temperature is too cold, check the temperature again on the following day.
<p>Condensation accumulates on the surface of the appliance and on the shelves inside.</p>	<p>The water contained in warm and humid air condenses on the colder surfaces of the appliance.</p> <ol style="list-style-type: none"> 1. Wipe away the water with a soft, dry cloth. 2. Open the appliance as briefly as possible. 3. Ensure that the appliance is always closed properly.
<p>The appliance hums, bubbles, buzzes, gargles, clicks, crackles or hisses.</p>	<p>Not a fault. A motor is running, e.g. refrigerating unit, fan. Refrigerant flows through the pipes. The motor, switches or solenoid valves are switching on or off. Automatic defrosting is running. The NoFrost system defrosts; water droplets evaporate. No action required.</p>

Fault	Cause and troubleshooting
The appliance makes noises.	The appliance is not level. ▶ Align the appliance using a spirit level and the screw feet.
	The appliance is not free-standing. ▶ Observe the minimum clearances for the appliance.
	Fittings wobble or stick. ▶ Check the removable fittings and, if required, replace these.
	Bottles or containers are touching. ▶ Move the bottles or containers away from each other.
	Super freezing is switched on. No action required.

14.1 Power failure

During a power failure, the temperature in the appliance rises; this reduces the storage time and the quality of the frozen food.

On the website for your appliance, the technical data provides you with the storage times for frozen food in the event of a fault.

Notes

- Open the appliance as little as possible during a power failure and do not place any other food in the appliance.
- Check the quality of the food immediately after a power failure.
 - Dispose of any frozen food that has defrosted and is hotter than 5 °C.
 - Cook or fry slightly thawed frozen food, and then either consume it or freeze it again.

14.2 Conducting an appliance self-test

Your appliance has an appliance self-test which displays faults that can be eliminated by your customer service.

1. Switch off the appliance.
→ *Page 19*
 2. Disconnect the appliance from the power supply.
Unplug the appliance from the mains or switch off the circuit breaker in the fuse box.
 3. Electrically reconnect the appliance after five minutes. → *Page 15*
 4. Switch on the appliance.
→ *Page 18*
 5. Within two minutes after switching on **Freezer** press and hold for five seconds until an audible signal sounds.
- ✓ The appliance self-test starts.

- ✓ While the appliance self-test is running, a long audible signal sounds.
- ✓ If, at the end of the appliance self-test, two audible signals sound and the temperature display indicates the set temperature, your appliance is OK. The appliance switches to normal operation.
- ✓ If, at the end of the appliance self-test, 5 audible signals sound, inform customer service.

15 Storage and disposal

15.1 Taking the appliance out of operation

1. Switch off the appliance.
→ *Page 19*
2. Disconnect the appliance from the power supply.
Unplug the appliance from the mains or switch off the circuit breaker in the fuse box.
3. Remove all of the food.
4. Clean the appliance. → *Page 23*
5. **ATTENTION!** Objects jammed between the door and the housing may damage the door hinge.
 - ▶ Open the door until it remains open by itself.
 - ▶ Do not insert any objects between the door and the housing.To guarantee the ventilation inside the appliance, leave the appliance open.

15.2 Disposing of old appliance

Valuable raw materials can be re-used by recycling.

WARNING

Risk of harm to health!

Children can lock themselves in the appliance, thereby putting their lives at risk.

- ▶ Leave shelves and containers inside the appliance to prevent children from climbing in.
- ▶ Keep children away from the redundant appliance.

WARNING

Risk of fire!

If the tubes are damaged, flammable refrigerant and harmful gases may escape and ignite.

- ▶ Do not damage the tubes of the refrigerant circuit or the insulation.

1. Unplug the appliance from the mains.
2. Cut through the power cord.
3. Dispose of the appliance in an environmentally friendly manner.

Information about current disposal methods are available from your specialist dealer or local authority.



This appliance is labelled in accordance with European Directive 2012/19/EU concerning used electrical and electronic appliances (waste electrical and electronic equipment - WEEE). The guideline determines the framework for the return and recycling of used appliances as applicable throughout the EU.

16 Customer Service

Detailed information on the warranty period and terms of warranty in your country is available from our after-sales service, your retailer or on our website.

If you contact Customer Service, you will require the product number (E-Nr.) and the production number (FD) of your appliance.

The contact details for Customer Service can be found in the enclosed Customer Service directory or on our website.

16.1 Product number (E-Nr.) and production number (FD)

You can find the product number (E-Nr.) and the production number (FD) on the appliance's rating plate.

→ Fig.  / 

Make a note of your appliance's details and the Customer Service telephone number to find them again quickly.

17 Technical data

Refrigerant, cubic capacity and further technical specifications can be found on the rating plate.

→ Fig.  / 

Для получения дополнительной информации см.
Цифровое руководство пользователя.



Содержание

1 Безопасность.....	32	6.5 Дверная полка	43
1.1 Общие указания	32	6.6 Генератор льда	43
1.2 Использование по назначению....	32	6.7 Аксессуары.....	44
1.3 Ограничение круга пользова- телей	32	7 Стандартное управление.....	44
1.4 Безопасная транспортировка	33	7.1 Включение прибора.....	44
1.5 Безопасный монтаж	33	7.2 Указания по эксплуатации.....	44
1.6 Безопасная эксплуатация	34	7.3 Выключение прибора.....	45
1.7 Поврежденный прибор	37	7.4 Установка температуры	45
2 Во избежание материального ущерба	39	7.5 Блокировка кнопок (блокиров- ка для безопасности детей).....	45
3 Защита окружающей среды и экономия	39	8 Дополнительные функции.....	45
3.1 Утилизация упаковки.....	39	8.1 Суперохлаждение	45
3.2 Как сэкономить элек- троэнергию	39	8.2 Суперзамораживание.....	46
4 Установка и подключение.....	40	9 Предупредительный сигнал	46
4.1 Комплект поставки	40	9.1 Предупредительный сигнал при открытой дверце.....	46
4.2 Критерии выбора места уста- новки	40	9.2 Предупредительный сигнал по- вышения температуры.....	46
4.3 Установка прибора	41	10 Холодильное отделение.....	47
4.4 Подготовка прибора к началу эксплуатации.....	41	10.1 Рекомендации по хранению продуктов в холодильном отделении	47
4.5 Подключение прибора к элек- тросети	41	10.2 Температурные зоны в холо- дильном отделении.....	47
5 Знакомство с прибором.....	41	11 Морозильное отделение.....	47
5.1 Прибор	41	11.1 Производительность замора- живания.....	48
5.2 Панель управления.....	42	11.2 Размещение продуктов по всей площади морозильного отделения	48
6 Элементы оснащения.....	42	11.3 Рекомендации по хранению продуктов в морозильном отделении	48
6.1 Полка	42		
6.2 Контейнер для хранения	42		
6.3 Бокс для овощей и фруктов с регулятором влажности	42		
6.4 Разделитель для контейнера	43		

11.4	Рекомендации по замораживанию свежих продуктов	48
11.5	Срок хранения замороженных продуктов при $-18\text{ }^{\circ}\text{C}$	49
11.6	Способы размораживания замороженных продуктов	49
12	Размораживание	50
12.1	Размораживание холодильного отделения	50
12.2	Размораживание в морозильном отделении.....	50
13	Очистка и уход	50
13.1	Подготовка прибора к очистке	50
13.2	Очистка прибора	50
13.3	Извлечение элементов оснащения	51
14	Устранение неисправностей	52
14.1	Отключение электроэнергии	55
14.2	Выполнение самодиагностики прибора	55
15	Хранение и утилизация.....	55
15.1	Вывод прибора из эксплуатации	55
15.2	Утилизация старого бытового прибора	56
16	Сервисная служба.....	56
16.1	Номер изделия (E-Nr.) и заводской номер (FD).....	57
17	Технические характеристики ...	57



1 Безопасность

Соблюдайте следующие указания по технике безопасности.

1.1 Общие указания

- Внимательно прочитайте данное руководство.
- Сохраните инструкцию и информацию о приборе для дальнейшего использования или для передачи следующему владельцу.
- В случае обнаружения повреждений, связанных с транспортировкой, не подключайте прибор.

1.2 Использование по назначению

Используйте прибор только:

- для охлаждения и заморозки продуктов, а также приготовления кубиков льда.
- в бытовых условиях и в закрытых помещениях домашних хозяйств.
- на высоте не более 2000 м над уровнем моря.

1.3 Ограничение круга пользователей

Данный прибор может использоваться детьми в возрасте от 8 лет и старше, а также лицами с ограниченными физическими, сенсорными или умственными способностями или с недостатком опыта и/или знаний, если они находятся под присмотром или после получения указаний по безопасному использованию прибора и после того, как они осознали опасности, связанные с неправильным использованием.

Детям запрещено играть с прибором.

Очистку и обслуживание прибора запрещается выполнять детям без надзора взрослых.

1.4 Безопасная транспортировка

⚠ ПРЕДУПРЕЖДЕНИЕ – Опасность травмирования!

Вследствие большого веса прибора при его подъеме возможны травмы.

- ▶ Не поднимайте прибор в одиночку.

1.5 Безопасный монтаж

⚠ ПРЕДУПРЕЖДЕНИЕ – Опасность поражения электрическим током!

При неквалифицированном монтаже прибор может стать источником опасности.

- ▶ При подключении прибора и его эксплуатации соблюдайте данные, приведенные на фирменной табличке.
- ▶ Прибор можно подключать только к электросети переменного тока через установленную согласно предписаниям розетку с заземлением.
- ▶ Система заземления в домашней электропроводке должна быть установлена согласно предписаниям.
- ▶ Запрещается оснащать прибор внешним переключателем, например, таймером или пультом дистанционного управления.
- ▶ Если прибор встроен, необходимо предусмотреть свободный доступ к вилке сетевого кабеля или, если это невозможно, установить в стационарной электропроводке специальный выключатель для размыкания согласно условиям монтажа.
- ▶ При установке прибора не допускайте зажатия или повреждения сетевого кабеля.

Поврежденная изоляция сетевого кабеля является источником опасности.

- ▶ Ни в коем случае не допускайте контакта сетевого кабеля с источниками тепла.

⚠ ПРЕДУПРЕЖДЕНИЕ – Опасность взрыва!

Если вентиляционные отверстия прибора закрыты, при утечке хладагента может образоваться горючая воздушно-газовая смесь.

- ▶ Не закрывайте вентиляционные отверстия в корпусе прибора или в корпусе для встраивания.

⚠ ПРЕДУПРЕЖДЕНИЕ – Опасность возгорания!

Использование удлиненного сетевого кабеля и недопустимых адаптеров опасно.

- ▶ Не используйте удлинительные кабели или многоконтактные розетки.
- ▶ Используйте только допущенные производителем адаптеры и сетевые кабели.
- ▶ Если сетевой кабель слишком короткий и более длинного нет в наличии, следует связаться со специализированной электротехнической фирмой, чтобы адаптировать домовую внутреннюю проводку.

Переносные многоконтактные розетки или переносные сетевые узлы могут перегреться и стать причиной возгорания.

- ▶ Не располагайте многоконтактные розетки или переносные сетевые узлы на задней стенке прибора.

При контакте прибора с водопроводными или газовыми коммуникациями существует риск возникновения коррозии по причине возможного наличия электрического потенциала на коммуникациях. Утечка газа из поврежденных коррозией газовых коммуникаций и вследствие этого элементов холодильного контура может привести к возгоранию.

- ▶ Обеспечьте дистанцию не менее 5 см между прибором и водопроводными и/или газовыми коммуникациями.

1.6 Безопасная эксплуатация

⚠ ПРЕДУПРЕЖДЕНИЕ – Опасность поражения электрическим током!

Проникшая в прибор влага может стать причиной поражения током.

- ▶ Используйте прибор только в закрытом помещении.
- ▶ Не пользуйтесь прибором при слишком высокой температуре или влажности.
- ▶ Не используйте для очистки прибора пароочистители или очистители высокого давления.

⚠ ПРЕДУПРЕЖДЕНИЕ – Опасность удушья!

Дети могут завернуться в упаковочный материал или надеть его себе на голову и задохнуться.

- ▶ Не подпускайте детей к упаковочному материалу.
- ▶ Не позволяйте детям играть с упаковочным материалом.

Дети могут вдохнуть или проглотить мелкие детали, в результате чего задохнуться.

- ▶ Не подпускайте детей к мелким деталям.
- ▶ Не позволяйте детям играть с мелкими деталями.

⚠ ПРЕДУПРЕЖДЕНИЕ – Опасность взрыва!

Если контур хладагента поврежден, горючий хладагент может вытечь и привести к взрыву.

- ▶ Не используйте механическое оборудование или средства, кроме рекомендованных производителем, для ускорения размораживания.
- ▶ Отделяйте замороженные продукты тупым предметом, например деревянной ручкой ложки.

Продукты с горючими газами-вытеснителями и взрывоопасные вещества, например, аэрозольные баллончики, могут взорваться.

- ▶ Не храните продукты с горючими газами-вытеснителями и взрывоопасные вещества внутри прибора.

⚠ ПРЕДУПРЕЖДЕНИЕ – Опасность возгорания!

Использование электрических приборов внутри прибора (например, нагревателей или электрических морожениц) может привести к возгоранию.

- ▶ Не используйте электрические приборы внутри прибора.

⚠ ПРЕДУПРЕЖДЕНИЕ – Опасность травмирования!

Ёмкости с газированными напитками могут лопнуть.

- ▶ Не храните ёмкости с газированными напитками в морозильном отделении.

Повреждение глаз в следствие утечки горючего хладагента и вредных газов.

- ▶ Не допускайте повреждения труб контура циркуляции хладагента и изоляции.

Прибор может опрокинуться.

- ▶ Не вставляйте на цоколь, выдвижные элементы или дверцы, а также не опирайтесь на них.

⚠ ПРЕДУПРЕЖДЕНИЕ – Опасность ожога!

Отдельные части задней стенки прибора во время работы нагреваются.

- ▶ Не прикасайтесь к горячим частям прибора.

⚠ ПРЕДУПРЕЖДЕНИЕ – Опасность обморожения!

Контакт с замороженными продуктами и холодными поверхностями может привести к холодовому ожогу.

- ▶ Никогда не прикасайтесь к замороженным продуктам сразу после извлечения из морозильного отделения.
- ▶ Избегайте длительного контакта кожи с замороженными продуктами, льдом и поверхностями в морозильном отделении.

⚠ ОСТОРОЖНО – Риск нанесения вреда здоровью!

Чтобы избежать загрязнения пищи, следуйте указаниям, приведенным ниже.

- ▶ При открытой в течение длительного времени дверце, в отсеках прибора может значительно подняться температура.
- ▶ Периодически очищайте поверхности, которые могут соприкасаться с продуктами и выступающими частями дренажных систем.
- ▶ Храните сырое мясо и рыбу в соответствующих контейнерах в холодильнике, чтобы они не касались и не капали на другие продукты.
- ▶ Если холодильник/морозильник долгое время простаивает, выключите прибор, разморозьте, очистите и оставьте дверцу открытой, чтобы предотвратить образование плесени.

Элементы прибора, выполненные из металла или внешне похожие на металлические, могут содержать алюминий. При контакте кислотосодержащих продуктов с алюминиевыми элементами, ионы алюминия проникают в продукты.

- ▶ Не употребляйте в пищу такие продукты.

1.7 Поврежденный прибор

ПРЕДУПРЕЖДЕНИЕ – Опасность поражения электрическим током!

Поврежденный прибор или поврежденный сетевой кабель являются источником опасности.

- ▶ Категорически запрещается эксплуатировать поврежденный прибор.
- ▶ Запрещается тянуть за сетевой кабель, чтобы отсоединить прибор от сети электропитания. Вынимайте из розетки вилку сетевого кабеля.
- ▶ В случае повреждения прибора или сетевого кабеля немедленно выньте вилку сетевого кабеля из розетки или отключите предохранитель в блоке предохранителей.
- ▶ Обратитесь в сервисную службу. → *Страница 56*

При неквалифицированном ремонте прибор может стать источником опасности.

- ▶ Ремонтировать прибор разрешается только квалифицированным специалистам.
- ▶ Для ремонта прибора можно использовать только оригинальные запчасти.
- ▶ Во избежание опасностей замена поврежденного сетевого кабеля данного прибора может быть выполнена только производителем или авторизованной им сервисной службой либо лицом, имеющим аналогичную квалификацию.

ПРЕДУПРЕЖДЕНИЕ – Опасность возгорания!



При поврежденных трубках горючий хладагент и вредные газы могут протечь и воспламениться.

- ▶ Держите прибор вдали от огня и источников воспламенения.
- ▶ Проветрите помещение.
- ▶ Выключите прибор. → *Страница 45*
- ▶ Извлеките из розетки вилку сетевого кабеля или выключите предохранитель в блоке предохранителей.

ru Безопасность

► Обратитесь в сервисную службу. → *Страница 56*

2 Во избежание материального ущерба

ВНИМАНИЕ!

При перекашивании роликов прибора при перемещении можно повредить пол.

- ▶ Перевозите прибор на тележке.
- ▶ При перемещении прибора используйте защиту для пола и не передвигайте прибор зигзагом.

Использование прибора, цоколей, выдвижных элементов и дверец в качестве опоры для сидения или лазания может привести к повреждению прибора.

- ▶ Не вставляйте на прибор, цоколь, выдвижные элементы или дверцы, а также не опирайтесь на них.

Из-за попадания масла и смазки пластмассовые детали и уплотнители дверцы могут стать пористыми.

- ▶ Не допускайте попадания масла и жира на пластмассовые детали и уплотнители дверцы.

Элементы прибора, выполненные из металла или внешне похожие на металлические, могут содержать алюминий.

Алюминий вступает в реакцию при контакте с кислотосодержащими продуктами.

- ▶ Не храните продукты в приборе без упаковки.

При мытье элементов оснащения и принадлежностей в посудомоечной машине, они могут деформироваться или изменить цвет.

- ▶ Не мойте детали прибора и принадлежности в посудомоечной машине.

3 Защита окружающей среды и экономия

3.1 Утилизация упаковки

Упаковочные материалы экологически безопасны и могут использоваться повторно.

- ▶ Утилизируйте отдельные части, предварительно рассортировав их.

3.2 Как сэкономить электроэнергию

При соблюдении этих указаний прибор будет расходовать меньше электроэнергии.

Выбор места установки

- Оберегайте прибор от воздействия прямых солнечных лучей.
- Устанавливайте прибор как можно дальше от радиаторов отопления, печей и прочих источников тепла:
 - Соблюдайте расстояние 30 мм от электрических или газовых плит.
 - соблюдайте расстояние в 300 мм от прибора до масляных или угольных печей.
- Сохраняйте расстояние до боковой стенки 50 мм.
- Не закрывайте и не загромождайте внешние вентиляционные отверстия.

Экономия электроэнергии во время использования

Заметка: Расположение элементов оснащения внутри прибора не влияет на расход прибором электроэнергии.

- Открывайте прибор только на короткое время и аккуратно закрывайте.
- Не закрывайте и не загромождайте внутренние и внешние вентиляционные отверстия.

- Купленные продукты перевозите в теплоизолированной сумке и быстро загружайте в прибор.
- Перед помещением на хранение дайте продуктам и напиткам остыть.
- Замороженные продукты положите для размораживания в холодильное отделение, чтобы использовать их холод.
- Между продуктами и задней стенкой всегда оставляйте немного места.

Режим ожидания

Если прибор не используется, дисплей автоматически переходит в режим ожидания.

В режиме ожидания яркость панели управления уменьшается.

4 Установка и подключение

4.1 Комплект поставки

После распаковки проверьте все детали на отсутствие транспортных повреждений и комплектность поставки.

Обращайтесь с рекламациями в магазин, где вы приобрели прибор, или в нашу сервисную службу → Страница 56.

В комплект поставки входят:

- Напольный прибор
- Элементы оснащения и принадлежности¹
- Материал для монтажа
- Инструкция по монтажу
- Руководство по эксплуатации
- Перечень сервисных служб
- Гарантийный талон²
- Наклейка с информацией об энергопотреблении
- Информация о расходе электроэнергии и шумах

¹ В зависимости от комплектации



² Не во всех странах

4.2 Критерии выбора места установки

ПРЕДУПРЕЖДЕНИЕ

Опасность взрыва!



В слишком тесном помещении при утечке хладагента может образоваться горючая воздушно-газовая смесь.

- ▶ Устанавливайте прибор только в помещении площадью не менее 1 м³ на 8 г хладагента. Количество хладагента указано на типовой табличке внутри прибора. → Рис. / 

Вес прибора может составлять в зависимости от заводской модели до 95 кг. Чтобы выдержать вес прибора, поверхность, на которую он устанавливается, должна быть достаточно устойчивой.

Допустимая температура помещения

Допустимая температура помещения зависит от климатического класса прибора.

Климатический класс прибора указан на его типовой табличке. → Рис. / 

Климатический класс	Допустимая температура помещения
SN	10–32 °C
N	16–32 °C
ST	16–38 °C
T	16–43 °C

Прибор полностью работоспособен в пределах допустимой температуры помещения.

В случае эксплуатации прибора климатического класса SN при более низкой температуре помещения повреждение прибора можно исключить до температуры помещения 5 °C.

Установка приборов друг под другом (Over-and-Under) и рядом друг с другом (Side-by-Side)

Если вы хотите разместить рядом или друг под другом 2 холодильных прибора, то между ними должно оставаться расстояние не менее 150 мм. Установка без соблюдения минимального расстояния возможна для отдельных моделей приборов. Уточните данный вопрос в специализированном магазине или у специалиста по планировке кухни.

4.3 Установка прибора

- ▶ Установите прибор в соответствии с прилагаемой инструкцией по монтажу.

4.4 Подготовка прибора к началу эксплуатации

1. Выньте информационные материалы.
2. Снимите защитную плёнку и транспортировочные крепления, такие как клейкая лента и картон.
3. Перед первым использованием очистите прибор. → *Страница 50*

4.5 Подключение прибора к электросети

1. Вставьте вилку сетевого кабеля прибора в розетку, расположенную вблизи прибора.
Параметры подключения прибора указаны на фирменной табличке. → *Рис. 1 / 3*
 2. Проверьте прочность подключения вилки сетевого кабеля.
- ✓ Прибор готов к использованию.

5 Знакомство с прибором

5.1 Прибор

Здесь приведен обзор составных частей прибора.

→ *Рис. 1*

A	Морозильное отделение → <i>Страница 47</i>
B	Холодильное отделение → <i>Страница 47</i>
1	Освещение
2	Генератор льда → <i>Страница 43</i>
3	Типовая табличка → <i>Страница 57</i>
4	Регулятор температуры (контейнер для хранения) → <i>Страница 45</i>
5	Контейнер для хранения → <i>Страница 42</i>
6	Бокс для овощей и фруктов с регулятором влажности → <i>Страница 42</i>
7	Панель управления → <i>Страница 42</i>
8	Внутреннее вентиляционное отверстие (холодильное отделение)
9	Дверная полка для больших бутылок → <i>Страница 43</i>
10	Винтовая ножка

Заметка: Элементы оснащения и размер вашего прибора могут отличаться от изображенных.

5.2 Панель управления

Настроить все функции прибора и получить информацию о его рабочем состоянии можно через панель управления.

→ Рис. 2

1	Freezer устанавливает температуру морозильного отделения.
2	Fridge устанавливает температуру холодильного отделения.
3	super (Морозильное отделение) светится, если включено Суперзамораживание.
4	Отображает температуру морозильного отделения в °C.
5	lock 3s включает или выключает блокировку кнопок панели управления.
6	 светится, если активирована блокировка кнопок.
7	Отображает температуру холодильного отделения в °C.
8	super (Холодильное отделение) светится, если включено Суперохлаждение.
9	 светится, если включена сигнализация.
10	alarm off выключает предупредительный сигнал.

6 Элементы оснащения

Комплектация вашего прибора зависит от модели.

6.1 Полка

Если вы хотите переставить полку, выньте её и установите в другом месте.

→ "Снятие полок", Страница 51

6.2 Контейнер для хранения

В контейнере для хранения создаётся более низкая температура, чем в холодильном отделении. Температура может временно опуститься ниже 0 °C.

Чтобы температура в контейнере для хранения была около 0 °C, установите температуру холодильного отделения 2 °C. → Страница 45

Устанавливайте в контейнере для хранения более низкую температуру, чтобы хранить скоропортящиеся продукты, например рыбу, мясо и колбасу.

6.3 Бокс для овощей и фруктов с регулятором влажности

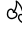

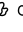
Храните свежие фрукты и овощи без упаковки в контейнере для фруктов и овощей.

Нарезанные фрукты и овощи накройте крышкой или храните в герметичной упаковке.

С помощью регулятора влажности можно регулировать влажность воздуха в контейнере для овощей. Это позволяет сохранять фрукты и овощи свежими дольше по сравнению с обычным способом хранения.

→ Рис. 3

Установка влажности воздуха с помощью регулятора влажности в боксе для фруктов и овощей в зависимости от вида и количества загружаемых продуктов:

- низкая влажность  при хранении преимущественно фруктов, при смешанной или высокой загрузке;
- высокая влажность   при хранении преимущественно овощей и при малой загрузке.

В зависимости от количества и вида храняемых продуктов в контейнере для овощей и фруктов может образовываться конденсат.

Вытрите конденсат сухой тканевой салфеткой и установите низкую влажность воздуха при помощи регулятора влажности.

Для поддержания качества и аромата храните чувствительные к холоду фрукты и овощи, например, ананасы, бананы, цитрусовые, огурцы, цуккини, сладкий перец, помидоры и картофель, вне холодильника при температуре прибл. от 8 °C до 12 °C.

6.4 Разделитель для контейнера

Чтобы изменить сегментацию бокса для овощей и фруктов, вы можете извлечь разделитель или изменить его положение.

ние.

→ "Извлечение разделителя для бокса",
Страница 51

6.5 Дверная полка

Если вы хотите переставить дверные полки, выньте их и установите в другом месте.




→ "Снятие дверных полок",
Страница 51

6.6 Генератор льда

Используйте генератор льда для приготовления кубиков льда из питьевой воды.

Приготовление кубиков льда

Для приготовления кубиков льда используйте исключительно питьевую воду.

1. Извлеките ёмкость для кубиков льда , заполните ее на $\frac{3}{4}$ питьевой водой  и установите на место .

→ Рис. 4

Заметка: Слишком большое количество воды может нарушить работу генератора льда. Кубики льда не извлекаются из ёмкости для кубиков льда по отдельности. Если слишком много воды попадает в контейнер для льда, находящиеся там кубики льда смерзаются.

2. Когда кубики льда будут готовы, несколько раз поверните ручку ёмкости для кубиков льда вправо и отпустите.

→ Рис. 5

- ✓ Кубики отстанут от формы и упадут в контейнер для льда.
3. Вытащите контейнер и выньте из него кубики льда.

→ Рис. 6

6.7 Аксессуары

Используйте оригинальные аксессуары. Они адаптированы к данному прибору. Аксессуары для прибора зависят от модели.

Лоток для яиц

Для безопасного хранения яиц используйте лоток для яиц.

Держатель для бутылок

Держатель для бутылок предотвращает опрокидывание бутылок при открывании и закрывании дверцы.

→ Рис. 7

Вариативная полка для хранения бутылок

Используйте вариативную полку для хранения бутылок для безопасного хранения бутылок.

→ Рис. 8

Ёмкость для кубиков льда

Используйте ёмкость для кубиков льда для приготовления кубиков льда.

Приготовление кубиков льда

Для приготовления кубиков льда используйте исключительно питьевую воду.

1. Заполните емкость для кубиков льда питьевой водой на $\frac{3}{4}$ и поставьте в морозильное отделение.

Извлекайте кубики льда из емкости тупым предметом, например деревянной ручкой ложки.

2. Для извлечения кубиков льда, ёмкость для кубиков льда недолго подержите под проточной водой или слегка изогните.



7 Стандартное управление

7.1 Включение прибора

1. Подключите прибор к электросети.

→ Страница 41

Заметка: Если ранее прибор был выключен с помощью панели управления, нажмите alarm off и удерживайте в течение 15 секунд.

- ✓ Прибор начинает вырабатывать холод.
 - ✓ Звучит предупредительный сигнал, мигает индикатор температуры (морозильное отделение) и  мигает красным светом, потому что в морозильном отделении ещё слишком тепло.
2. Отключите предупредительный сигнал с помощью alarm off.
- ✓  погаснет, как только будет достигнута установленная температура.
3. Установите необходимую температуру. → Страница 45

7.2 Указания по эксплуатации

- После включения прибора установленная температура будет достигнута через несколько часов. Не загружайте продукты, пока не будет достигнута установленная температура.
- Передняя сторона и боковые стенки корпуса временно нагреваются. Это предотвращает образование конденсата.
- При закрывании дверцы может возникнуть вакуум. Дверцу будет сложнее открыть. Подождите, пока отрицательное давление не выровняется.
- Внутренняя температура прибора зависит от следующих факторов:
 - Частота открывания дверцы
 - Объем загрузки

- Температура только что загруженных продуктов
- Температура окружающей среды
- Воздействие прямых солнечных лучей

7.3 Выключение прибора

- ▶ alarm off Удерживайте нажатым 15 секунд.

7.4 Установка температуры

Установка температуры в холодильном отделении

- ▶ Нажимайте Fridge до тех пор, пока на индикаторе температуры не будет отображаться необходимая установка.

Чтобы достичь заданной температуры, передвиньте регулятор температуры внизу контейнера для хранения в положение $\frac{1}{3}$. → *Страница 45*
Рекомендуемая температура в холодильном отделении составляет 4 °С.

Установка температуры в контейнере для хранения

1. Чтобы понизить температуру, передвиньте регулятор температуры в направлении **extra cold**.
2. Чтобы повысить температуру, передвиньте регулятор температуры в направлении **cold**.

→ Рис. 9


Установка температуры в морозильном отделении

- ▶ Нажимайте Freezer до тех пор, пока на индикаторе температуры не будет отображаться необходимая установка.
Рекомендуемая температура в морозильном отделении составляет -18 °С.


7.5 Блокировка кнопок (блокировка для безопасности детей)

Блокировка кнопок предотвращает незапланированное или неправильное использование прибора.

Включение блокировки кнопок

- ▶ Нажмите lock 3s и удерживайте 3 секунды.
- ✓ Горит .

Выключение блокировки кнопок

- ▶ Нажмите lock 3s и удерживайте 3 секунды.
- ✓  гаснет.

8 Дополнительные функции

Узнайте, какие дополнительные функции поддерживает ваш прибор.

8.1 Суперохлаждение

При включении Суперохлаждение охлаждение внутри холодильного отделения становится максимально интенсивным. Включите Суперохлаждение, прежде чем закладывать большой объем продуктов на хранение.

Заметка: При включении Суперохлаждение прибор может начать больше шуметь при эксплуатации.

Включение Суперохлаждение

- ▶ Нажимайте Fridge до тех пор, пока не загорится super (Холодильное отделение).

Заметка: Спустя прим. 6 часов прибор переключается в обычный режим работы.

Выключение Суперохлаждение

- ▶ Нажимайте **Fridge** до тех пор, пока на индикаторе температуры (холодильное отделение) не будет отображаться желаемое значение.

8.2 Суперзамораживание

При Суперзамораживании происходит максимально интенсивное охлаждение морозильного отделения.

Включите Суперзамораживание на 4–6 часов, прежде чем закладывать более 2 кг продуктов на хранение.

Включите Суперзамораживание, чтобы воспользоваться возможностями замораживания.

→ "Условия для производительности замораживания", Страница 48

Заметка: Если Суперзамораживание включено, это может привести к увеличению эксплуатационного шума.

Включение Суперзамораживание

- ▶ Нажимайте **Freezer** до тех пор, пока не загорится **super** (Морозильное отделение).

Заметка: Спустя прим. 54 часов прибор переключается в обычный режим работы.


Выключение Суперзамораживание

- ▶ Нажимайте **Freezer** до тех пор, пока на индикаторе температуры (морозильное отделение) не будет отображаться желаемое значение.

9 Предупредительный сигнал

9.1 Предупредительный сигнал при открытой дверце

Если дверца прибора остается долго открытой, включается предупредительный сигнал.


Звучит предупредительный сигнал и  мигает красным светом.

Выключение предупредительного сигнала при открытой дверце

- ▶ Закройте дверцу прибора или нажмите **alarm off**.
- ✓ Предупредительный сигнал отключен.

9.2 Предупредительный сигнал повышения температуры

Предупредительный сигнал повышения температуры включается, если в морозильном отделении становится слишком тепло.

Звучит предупредительный сигнал, мигает индикатор температуры (морозильное отделение) и  мигает красным светом.

ОСТОРОЖНО

Риск нанесения вреда здоровью!

В процессе размораживания возможно размножение бактерий, и замороженные продукты могут испортиться.

- ▶ Не замораживайте заново частично или полностью размороженные продукты.
- ▶ Замораживайте заново продукты только после варки или жарки.
- ▶ Не превышайте максимальный срок хранения.

Предупредительный сигнал повышения температуры может включаться в следующих случаях:

- прибор вводится в эксплуатацию. Загружать продукты на хранение следует после достижения установленной температуры;
- было загружено большое количество свежих продуктов. Включайте Суперзамораживание перед загрузкой большого количества продуктов;
- дверца морозильного отделения открыта слишком долго. Убедитесь, что замороженные продукты оттаяли или разморозились.

Выключение предупредительного сигнала повышения температуры

- ▶ Нажмите alarm off.
- ✓ Предупредительный сигнал отключен.

10 Холодильное отделение

Вы можете хранить мясо, колбасу, рыбу, молочные продукты, яйца, готовые блюда и хлебобулочные изделия в холодильном отделении.

Температура регулируется в диапазоне от 2 °C до 8 °C.

Благодаря холодному хранению вы также можете хранить скоропортящиеся продукты краткосрочно и среднесрочно. Чем ниже выбранная температура, тем дольше продукты сохранят свежесть.

10.1 Рекомендации по хранению продуктов в холодильном отделении

- Загружайте только свежие и неповреждённые продукты.
- Продукты должны быть герметично запечатаны или храниться под закрытой крышкой.

- Чтобы не нарушать циркуляцию воздуха и не допускать замораживания продуктов, не размещайте продукты перед внутренними вентиляционными отверстиями или вплотную у задней стенки.
- Горячие блюда и напитки сначала следует охлаждать.
- Следите за указанными изготовителями сроками годности или сроками хранения продуктов.

10.2 Температурные зоны в холодильном отделении

Циркуляция воздуха в холодильной камере создает различные зоны холода.

Самая холодная зона

Самая холодная зона находится между нанесённой сбоку стрелкой и расположенной под ней полкой.

Рекомендация: Храните в самой холодной зоне скоропортящиеся продукты, например, рыбу, колбасу, мясо.

Самая тёплая зона

Самая тёплая зона находится в самой верхней части дверцы.

Рекомендация: Храните в зоне самой высокой температуры продукты с длительным сроком хранения, например твёрдый сыр и масло. За счёт этого аромат сыра будет раскрываться, а масло останется мягким.

11 Морозильное отделение

В морозильном отделении вы можете хранить замороженные продукты, замораживать продукты и делать кубики льда.

Температура регулируется в диапазоне от -16 °C до -24 °C.

Для долгосрочного хранения продуктов рекомендуется температура -18°C или ниже.

Хранение продуктов в замороженном состоянии позволяет сохранять скоропортящиеся продукты в течение длительного времени. Низкая температура замедляет или предотвращает порчу продуктов.

11.1 Производительность замораживания

Производительность замораживания указывает, какое количество продуктов и за какой период времени можно глубоко заморозить.

Данные о производительности замораживания указаны на типовой табличке.

→ Рис. 1 / 3

Условия для производительности замораживания

1. Примерно за 24 часа до загрузки свежих продуктов нажмите Суперзамораживание.
→ "Включение Суперзамораживание",
Страница 46
2. Сначала положите продукты на полку морозильного отделения спереди.
3. Если места в передней части морозильного отделения окажется недостаточно, то оставшиеся продукты сложите спереди на дне морозильного отделения.

11.2 Размещение продуктов по всей площади морозильного отделения

Узнайте, как разместить максимальное количество замороженных продуктов в морозильном отделении.

1. Выньте все элементы оснащения из морозильного отделения.
→ Страница 51
2. Укладывайте продукты прямо на дно морозильного отделения.

11.3 Рекомендации по хранению продуктов в морозильном отделении

- Храните продукты в герметичной упаковке.
- Предназначенные для замораживания продукты не должны соприкасаться с ранее замороженными продуктами.
- Распределите продукты по большей площади в морозильном отделении.

11.4 Рекомендации по замораживанию свежих продуктов

- Замораживайте только свежие продукты в безупречном состоянии.
- Замораживайте продукты порциями.
- Готовые блюда лучше подходят для этого, чем сырые.
- Перед заморозкой следует промыть, порезать и бланшировать овощи.
- Перед заморозкой фруктов их следует помыть, удалить косточки и при необходимости очистить от кожуры, а также при необходимости добавить сахар или раствор аскорбиновой кислоты.
- Пригодными для замораживания продуктами являются хлебобулочные изделия, рыба и морепродукты, мясо,

дичь, птица, яйца без скорлупы, сыр, сливочное масло, творог, готовые блюда и остатки блюд.

- Непригодными для замораживания продуктами являются листовая салат, редиска, яйца в скорлупе, виноград, целые яблоки и груши, йогурт, сметана, крем-фреш и майонез.

Упаковка продуктов для замораживания

Подходящий упаковочный материал и правильный тип упаковки в значительной мере сохраняют качество продукта и предотвращают его промерзание.

1. Положите продукты в упаковку.
2. Выдавите весь воздух.
3. Закройте упаковку герметично, чтобы продукты не утратили вкус и не высохли.
4. Укажите на упаковке ее содержимое и дату замораживания.

11.5 Срок хранения замороженных продуктов при $-18\text{ }^{\circ}\text{C}$

Продукты	Срок хранения
Рыба, колбасные изделия, готовые блюда, хлебобулочные изделия	до 6 месяцев
Птица, мясо	до 8 месяцев
Овощи, фрукты	до 12 месяцев

Календарь сроков хранения замороженных продуктов указывает максимальный срок хранения в месяцах при постоянной температуре $-18\text{ }^{\circ}\text{C}$.

11.6 Способы размораживания замороженных продуктов

ОСТОРОЖНО

Риск нанесения вреда здоровью!

В процессе размораживания возможно размножение бактерий, и замороженные продукты могут испортиться.

- ▶ Не замораживайте заново частично или полностью размороженные продукты.
- ▶ Замораживайте заново продукты только после варки или жарки.
- ▶ Не превышайте максимальный срок хранения.
- Продукты животного происхождения, например рыбу, мясо, сыр и творог, размораживайте в холодильном отделении.
- Хлеб размораживайте при комнатной температуре.
- Готовьте продукты для немедленного употребления в микроволновой печи, в духовом шкафу или на плите.

12 Размораживание

12.1 Размораживание холодильного отделения

Холодильное отделение размораживается автоматически.

12.2 Размораживание в морозильном отделении

Благодаря полностью автоматической системе «NoFrost» внутри морозильного отделения лёд не образуется. Размораживание не требуется.

13 Очистка и уход

Для долговременной исправной работы прибора требуется его тщательная очистка и уход.

Чистку недоступных мест должны производить специалисты сервисной службы. Чистка специалистами сервисной службы может быть платной.

13.1 Подготовка прибора к очистке

1. Выключите прибор. → *Страница 45*
2. Отсоедините прибор от электросети. Извлеките из розетки вилку сетевого кабеля или выключите предохранитель в блоке предохранителей.
3. Выньте продукты и положите их в холодное место. Положите на продукты питания аккумуляторы холода, если они есть.
4. Извлеките все элементы оснащения и принадлежности из прибора. → *Страница 51*

13.2 Очистка прибора

⚠ ПРЕДУПРЕЖДЕНИЕ
Опасность поражения электрическим током!

Проникшая в прибор влага может стать причиной поражения током.

- ▶ Не используйте для очистки прибора пароочистители или очистители высокого давления.

Попадание жидкости в элементы системы освещения, в элементы управления или во внутренние вентиляционные отверстия может представлять опасность.

- ▶ Не допускайте попадания воды в систему освещения, в элементы управления или во внутренние вентиляционные отверстия.

ВНИМАНИЕ!

Неподходящие чистящие средства могут повредить поверхности прибора.

- ▶ Не используйте жесткие мочалки или губки.
- ▶ Не используйте агрессивные или абразивные чистящие средства.
- ▶ Не используйте чистящие средства с большим содержанием спирта.

При мытье элементов оснащения и принадлежностей в посудомоечной машине, они могут деформироваться или изменить цвет.

- ▶ Не мойте детали прибора и принадлежности в посудомоечной машине.

1. Подготовьте прибор к очистке. → *Страница 50*
2. Очистите прибор, элементы оснащения, принадлежности и уплотнители дверцы с помощью тканевой салфетки и тёплой воды с небольшим количеством рН-нейтрального средства для мытья посуды.
3. Вытрите насухо мягкой сухой салфеткой.
4. Установите элементы оснащения.

5. Подключите прибор к электросети.
→ Страница 41
6. Загрузите продукты.

13.3 Извлечение элементов оснащения

Если вы хотите тщательно очистить элементы оснащения, выньте их из прибора.

Снятие полок

- ▶ Выдвиньте, приподнимите и снимите полку.
→ Рис. **10**

Снятие дверных полок

- ▶ Приподнимите и снимите дверные полки.
→ Рис. **11**

Извлечение разделителя для бокса

- ▶ Приподнимите и снимите разделитель контейнера.
→ Рис. **12**

Извлечение контейнера для хранения

1. Выдвиньте контейнер для хранения до упора.
2. Приподнимите спереди контейнер для хранения ① и выньте ②.
→ Рис. **13**

Извлечение бокса для овощей и фруктов

1. Выдвиньте до упора бокс для овощей и фруктов.
2. Приподнимите бокс для овощей и фруктов ① и извлеките движением на себя ②.
→ Рис. **14**

Извлечение генератора льда

1. Извлеките и опорожните форму для кубиков льда ① и контейнер для льда ②.
→ Рис. **15**
2. Нажмите кнопку «Push» ①, чтобы освободить из крепления генератор льда и вынуть его ②.
→ Рис. **16**
3. Поднимите держатель сзади и опустите его за полкой морозильного отделения ①. Снимите держатель, потянув на себя ②.
→ Рис. **17**

14 Устранение неисправностей



Вы можете самостоятельно устранить незначительные неисправности вашего прибора. Воспользуйтесь информацией из главы «Устранение неисправностей» перед обращением в сервисную службу. Это позволит избежать дополнительных расходов.

ПРЕДУПРЕЖДЕНИЕ

Опасность поражения электрическим током!

При неквалифицированном ремонте прибор может стать источником опасности.

- ▶ Ремонтировать прибор разрешается только квалифицированным специалистам.
- ▶ Для ремонта прибора можно использовать только оригинальные запчасти.
- ▶ Во избежание опасностей замена поврежденного сетевого кабеля данного прибора может быть выполнена только производителем или авторизованной им сервисной службой либо лицом, имеющим аналогичную квалификацию.

Неисправность	Причина и устранение неисправностей
Прибор не охлаждает, индикаторы и подсветка горят.	Включен демонстрационный режим. <ol style="list-style-type: none"> 1. Удерживайте Freezer + Fridge 9–11 секунд, пока не раздастся звуковой сигнал. 2. Проверьте спустя короткое время, охлаждает ли ваш бытовой прибор.
Светодиодная подсветка не работает.	Возможны различные причины. <ul style="list-style-type: none"> ▶ Обратитесь в сервисную службу. Номер сервисной службы можно найти в прилагаемом перечне сервисных служб.
Боковые панели прибора теплые.	Не является неисправностью. В боковых стенках проходят трубки, которые нагреваются в процессе охлаждения. Повреждение предметов мебели, соприкасающихся с прибором, под действием тепла не происходит. Никаких действий не требуется.
Звучит предупредительный сигнал и  мигает красным светом. Сигнал открытой дверцы включён.	Дверца прибора открыта. <ul style="list-style-type: none"> ▶ Закройте дверцу прибора.
Звучит предупредительный сигнал, мигает индикатор температуры (морозильное отделение) и  мигает красным светом. Предупредительный сигнал повышения температуры включён.	Возможны различные причины. <ul style="list-style-type: none"> ▶ Нажмите alarm off. ✓ Сигнализация выключается. Было загружено большое количество свежих продуктов. <ul style="list-style-type: none"> ▶ Не превышайте производительность замораживания. → "Производительность замораживания", Страница 48

Неисправность	Причина и устранение неисправностей
<p>Установленное значение температуры не достигнуто.</p> <p>Полностью автоматическое размораживание больше не работает.</p>	<p>Дверца морозильного отделения была открыта в течение длительного времени. Испаритель (генератор холода) в системе NoFrost сильно обледенел.</p> <p>Требование: Замороженные продукты должны быть хорошо упакованы и храниться в прохладном месте.</p> <ol style="list-style-type: none"> 1. Выключите прибор. → <i>Страница 45</i> 2. Отсоедините прибор от сети. Отсоедините прибор от электросети или выключите соответствующий предохранитель в блоке предохранителей. 3. Отодвиньте прибор от стены. 4. Оставьте дверцу прибора открытой. <p>✓ Примерно через 20 минут талая вода начнёт стекать в сливное отверстие поддона в задней стенке прибора. → <i>Рис. 18</i></p> <ol style="list-style-type: none"> 5. Чтобы поддон не переполнялся, убирайте талую воду губкой. Испаритель оттаял, если в поддон больше не стекает вода. 6. Очистите прибор внутри. → <i>Страница 50</i> 7. Снова включите прибор. → <i>Страница 44</i>
<p>Температура существенно отличается от настроенной.</p>	<p>Возможны различные причины.</p> <ol style="list-style-type: none"> 1. Выключите прибор. → <i>Страница 45</i> 2. Включите прибор примерно через 5 минут. → <i>Страница 44</i> <ul style="list-style-type: none"> – Если температура слишком высокая, проверьте ее через два часа. – Если температура слишком низкая, проверьте ее на следующий день.
<p>На поверхности прибора и полках образуется конденсат.</p>	<p>Вода, содержащаяся в теплом и влажном воздухе, конденсируется на более холодных поверхностях прибора.</p> <ol style="list-style-type: none"> 1. Убирайте воду мягкой сухой салфеткой. 2. Дверцы прибора закрывайте как можно быстрее. 3. Следите за тем, чтобы прибор всегда был правильно закрыт.

Неисправность	Причина и устранение неисправностей
<p>Прибор издаёт гул, булькающие звуки, гудит, дребезжит, щёлкает, трещит или шипит.</p>	<p>Не является неисправностью. Работает двигатель, например холодильного агрегата или вентилятора. Хладагент течёт по трубам. Включаются или выключаются двигатель, выключатель или электромагнитные клапаны. Происходит автоматическое размораживание. Система NoFrost выполняет размораживание, капли воды испаряются. Никаких действий не требуется.</p>
<p>Прибор издаёт шумы.</p>	<p>Прибор установлен неровно.</p> <ul style="list-style-type: none"> ▶ Выровняйте прибор с помощью уровня или винтовых ножек.
	<p>Прибор не является отдельно стоящим.</p> <ul style="list-style-type: none"> ▶ Соблюдайте минимальные расстояния от прибора.
	<p>Плохо установлены элементы оснащения.</p> <ul style="list-style-type: none"> ▶ Проверьте извлечённые элементы оснащения и заново их установите.
	<p>Бутылки или ёмкости касаются друг друга.</p> <ul style="list-style-type: none"> ▶ Отодвиньте бутылки или другие ёмкости друг от друга.
	<p>Включено Суперзамораживание. Никаких действий не требуется.</p>

14.1 Отключение электроэнергии

Во время перебоев в подаче электроэнергии температура в приборе повышается, что сокращает время хранения и снижает качество замороженных продуктов.

На нашем веб-сайте в информации о технических характеристиках вашего прибора указано время хранения продуктов в замороженном состоянии в случае неисправности.

Примечания

- Во время отключения электроэнергии открывайте устройство как можно реже и не помещайте на хранение другие продукты.
- Проверьте качество продуктов сразу после возобновления подачи электроэнергии.
 - Выкиньте продукты, которые разморозились и температура которых составляет более 5 °С.
 - Слегка оттаявшие замороженные продукты сварите или поджарьте и употребите в пищу или снова заморозьте.

14.2 Выполнение самодиагностики прибора

Ваш прибор оснащен функцией самодиагностики, которая отображает неисправности, которые можно устранить через сервисную службу.

1. Выключите прибор. → *Страница 45*
2. Отсоедините прибор от электросети. Извлеките из розетки вилку сетевого кабеля или выключите предохранитель в блоке предохранителей.
3. Через 5 минут снова подключите прибор к электросети. → *Страница 41*
4. Включите прибор. → *Страница 44*

5. В течение 2 минут после включения Freezer удерживайте в течение 5 секунд, пока не раздастся звуковой сигнал.
 - ✓ Самодиагностика прибора запущена.
 - ✓ Во время самодиагностики прибора раздаётся продолжительный звуковой сигнал.
 - ✓ Если после завершения самодиагностики прибора, вы услышите 2 звуковых сигнала, а на дисплее температуры будет отображаться заданное значение, ваш прибор исправен. Прибор переходит в обычный режим.
 - ✓ Если по завершении самодиагностики звучит 5 звуковых сигналов, обратитесь в сервисную службу.

15 Хранение и утилизация

15.1 Вывод прибора из эксплуатации

1. Выключите прибор. → *Страница 45*
2. Отсоедините прибор от электросети. Извлеките из розетки вилку сетевого кабеля или выключите предохранитель в блоке предохранителей.
3. Выньте продукты.
4. Очистка прибора. → *Страница 50*
5. **ВНИМАНИЕ!** Застраившие между дверцей и корпусом предметы могут повредить дверную петлю.
 - ▶ Откройте дверцу, чтобы она оставалась в открытом положении.
 - ▶ Не зажимайте предметы между дверцей и корпусом.

Для обеспечения вентиляции внутреннего пространства оставьте прибор открытым.

15.2 Утилизация старого бытового прибора

Утилизация в соответствии с экологическими нормами обеспечивает возможность вторичного использования ценных сырьевых материалов.

ПРЕДУПРЕЖДЕНИЕ

Риск нанесения вреда здоровью!

Дети могут оказаться запертыми в приборе и подвергнуть свою жизнь опасности.

- ▶ Чтобы дети не смогли забраться внутрь, не извлекайте из прибора полки и контейнеры.
- ▶ Отслуживший прибор держать вдали от детей.

ПРЕДУПРЕЖДЕНИЕ

Опасность возгорания!

При поврежденных трубках горючий хладагент и вредные газы могут протечь и воспламениться.

- ▶ Не допускайте повреждения труб контура циркуляции хладагента и изоляции.

1. Выньте из розетки вилку сетевого кабеля.
2. Обрежьте сетевой кабель прибора.
3. Утилизируйте прибор в соответствии с экологическими нормами.

Сведения о возможных способах утилизации можно получить в специализированном торговом предприятии, а также в районных или городских органах управления.



Данный прибор имеет отметку о соответствии европейским нормам 2012/19/EU утилизации электрических и электронных прибо-

ров (waste electrical and electronic equipment - WEEE).

Данные нормы определяют действующие на территории Евросоюза правила возврата и утилизации старых приборов.

16 Сервисная служба

Подробную информацию о гарантийном сроке и условиях гарантии в вашей стране вы можете запросить в нашей сервисной службе, у вашего продавца или найти на нашем сайте.

При обращении в сервисную службу укажите номер изделия (E-Nr.) и заводской номер (FD) прибора.

Адрес и телефон сервисной службы можно найти в прилагаемом перечне сервисных служб или на нашем веб-сайте.

Для доступа к контактам служб клиентского сервиса, вы также можете использовать данный QR код.

<https://www.bosch-home.ru>



Импортер/Организация, принимающая претензии по качеству/ ТОО «BSH Home Appliances (БСХ Хоум Аплайансэс)»

Республика Казахстан, г. Алматы, ул.

Хаджи Мукана, 22/5, 7 этаж

e-mail: ala-infokz@bshg.com

Срок службы устройства – 7 лет.

На территории Республики Казахстан, при обнаружении неисправности, звоните в сервисный контакт-центр 5454 (только для мобильных телефонов).

Сделано в Турции

16.1 Номер изделия (E-Nr.) и заводской номер (FD)

Номер изделия (E-Nr.) и заводской номер (FD) вы найдете на фирменной табличке своего прибора.

→ Рис. **1** / **3**

Чтобы быстро найти данные прибора и номер телефона сервисной службы, вы можете записать эти данные.

17 Технические характеристики

Хладагент, полезный объем и прочие технические данные указаны на типовой табличке.

→ Рис. **1** / **3**

Қосымша ақпарат алу үшін цифрлық пайдаланушы нұсқаулығын қараңыз.



Мазмұны

1 Қауіпсіздік	60	6.5 Есік сәресі	70
1.1 Жалпы нұсқаулар	60	6.6 Мұз генераторы	70
1.2 Тиісті ретте пайдалану	60	6.7 Керек-жарақтар	71
1.3 Пайдаланушыларды шектеу ...	60	7 Негізгі басқару	71
1.4 Қауіпсіз тасымалдау	60	7.1 Құрылғыны қосыңыз	71
1.5 Қауіпсіз орнату	61	7.2 Құрылғы жұмысына қатысты нұсқаулар	71
1.6 Қауіпсіз пайдалану	62	7.3 Құрылғыны өшіру	72
1.7 Зақымдалған құрылғы	64	7.4 Температураны орнату	72
2 Материалдық зияндардың алдын алу	66	7.5 Пернелерді бұғаттау (балалар қауіпсіздігі үшін бұғаттау)	72
3 Қоршаған ортаны қорғау және сақтау	66	8 Қосымша функциялар	72
3.1 Буып-түйетін нәрселерді кәдеге жарату	66	8.1 Супер салқындату функциясы	72
3.2 Энергия үнемдеу	66	8.2 Супер мұздату функциясы	73
4 Орнату және қосу	67	9 Сигнал	73
4.1 Жеткізу жинағы	67	9.1 Есік сигналы	73
4.2 Құрылғыны орнататын орынды таңдау критерийлері	67	9.2 Қызып кету туралы дыбыстық белгі	73
4.3 Құрылғыны орнату	68	10 Тоңазытқыш бөлімі	74
4.4 Құрылғыны пайдалана бастауға дайындау	68	10.1 Тоңазытқыш бөлімде азық-түліктер сақтау жөніндегі кеңестер	74
4.5 Құрылғыны электрге қосу	68	10.2 Тоңазытқыш бөлімдегі температуралық зоналар	74
5 Танысу	68	11 Мұздатқыш бөлімі	75
5.1 Құрылғы	68	11.1 Мұздату өнімділігі	75
5.2 Басқару панелі	69	11.2 Азық-түліктерді мұздатқыш бөлім ішіне тұтастай орналастыру	75
6 Жабдықтау	69	11.3 Мұздатқыш бөлімде азық-түліктер сақтау жөніндегі кеңестер	75
6.1 Сөре	69		
6.2 Сақтау үшін контейнері	69		
6.3 Ылғалды реттеп тұратын, көкөністер мен жемістер салатын контейнер	69		
6.4 Контейнерді бөлгіш	70		

11.4 Балғын өнімдерді мұздатуға қатысты кеңестер.....	75
11.5 -18 °С-тағы мұздатылған өнімдердің сақталу мерзімі	76
11.6 Мұздатылған өнімдерді еріту тәсілдері.....	76
12 Еріту	77
12.1 Тоңазытқыш бөлімді еріту	77
12.2 Мұздатқыш бөлімде еріту	77
13 Тазалау және күту	77
13.1 Құрылғыны тазалауға дайындау	77
13.2 Құрылғыны тазалау	77
13.3 Жабдықтау элементтерін шығарып алыңыз	78
14 Ақауларды жою	79
14.1 Электр қуаты жоқ.....	82
14.2 Құрылғының өз-өзіне диагностика жасауы.....	82
15 Сақтау және кәдеге жарату.....	82
15.1 Құрылғыны пайдалануды тоқтату.....	82
15.2 Ескі құрылғыны кәдеге жарату.....	83
16 Сервистік қызмет көрсету ...	83
16.1 Артикул нөмірі (Е нөмірі) және өндіру нөмірі (ӨК)	84
17 Техникалық деректер.....	84



1 Қауіпсіздік

Келесі қауіпсіздік техникасының нұсқауларын ескеріңіз.

1.1 Жалпы нұсқаулар

- Бұл нұсқаулықты мұқият оқып шығыңыз.
- Нұсқаулықты және өнім мөлiмeттерiн келешекте пайдалану үшін сақтап қойыңыз.
- Құрылғыны тасымалдау зақымдары болғанда қоспаңыз.

1.2 Тиісті ретте пайдалану

Құрылғыны тек төмендегідей пайдаланыңыз:

- Азық-түліктерді суыту және тоңазыту, мұз текшелерің дайындау үшін.
- жеке үйлерде және үйдегі жабық бөлмелерде.
- теңіз деңгейінен 2000 м биіктікке дейін.

1.3 Пайдаланушыларды шектеу

Бұл құрылғыны жасы 8-дегі және одан үлкен балалардың, сонымен қатар қозғалу, сезу және ойлану мүмкіндіктері шектелген және/немесе жеткілікті білімі жоқ тұлғалардың пайдалануына тек оларды біреу қадағалаған жағдайда немесе осы құрылғыны қауіпсіз пайдалану нұсқауларымен таныс болса және дұрыс пайдаланбау салдарынан қандай қауіптердің орын алатынын түсінетін болса ғана пайдалануларына болады. Балаларға осы құрылғымен ойнауға рұқсат етпеңіз. Балаларға ересектер қадағалауысыз тазалау және алдын алу қызметі үшін орындалатын әрекеттерді орындауға рұқсат етпеңіз.

1.4 Қауіпсіз тасымалдау

ЕСКЕРТУ – Жарақаттану қатері!

Жоғары құрылғы салмағы көтерілгенде жарақаттануға апаруы мүмкін.

- ▶ Құрылғы өзіңіз көтермеңіз.

1.5 Қауіпсіз орнату

⚠ ЕСКЕРТУ – Электрик тоқ соғу қатері бар!

Дұрыс емес жасалған орнатулар қауіпті болып табылады.

- ▶ Бұйымды тек қана бұйым тақташасында көрсетілген мөлiметтерi бойынша iске қосып қолданыңыз.
- ▶ Құрылғыны тек ережелер бойынша орнатылған жерге қосылған розетка арқылы айнымалы тоқ желісіне қосыңыз.
- ▶ Ішкі электр сымдарының жерге тұйықтау жүйесінің ережелерге сәйкес лайықты түрде орнатылуы тиіс.
- ▶ Құрылғыны сыртқы қосқышпен, мысалы, таймермен немесе қашықтан басқару пультімен жабдықтауға тыйым салынады.
- ▶ Егер құрылғы кіріктірілген болса, желілік кабель ашасына еркін қол жеткізу мүмкіндігі болуы қажет немесе бұл мүмкін болмаса, стационарлық электр қондырғысында орнату шарттарына сәйкес ажыратқыш құрылғы орнатылуы қажет.
- ▶ Құрылғыны орнатуда желіге қосу сымы қысылмағанына немесе зақымдалмағанына тексеріңіз.

Желіге қосу сымының зақымдалған оқшаулауы қауіпті.

- ▶ Еш жағдайда желі кабелін жылу көздеріне тигізбеңіз.

⚠ ЕСКЕРТУ – Жарылу қауіпі!

Құрылғының желдету саңылаулары жабық тұрса, хладагент аққанда жанғыш ауа-газ қоспасы түзілуі мүмкін.

- ▶ Құрылғы корпусы мен енгізу корпусындағы желдету саңылауларын жауып тастамаңыз.

⚠ ЕСКЕРТУ – Өрт шығу қатері!

Ұзартылған желілік кабельді және рұқсат етілмеген адаптерді пайдалану қауіпті болып табылады.

- ▶ Ұзартқыш кабельді немесе көп ұялы қалыптарды пайдаланбаңыз.
- ▶ Тек қана өндіруші рұқсат еткен адаптер мен желілік кабельдерді пайдаланыңыз.

- ▶ Желілік кабель тым қысқа болып, ұзынырақ желілік сым қолжетімді болмаса, үй ішіндегі сымдар жүйесін реттеу үшін электр қуатымен айналысатын арнайы кәсіпорынға хабарласыңыз.

Көпконтактілі тасымалдағыш розеткалар мен тасымалдағыш желілік тізбектер қызып кетіп, өрт тууына себеп болуы мүмкін.

- ▶ Көпконтактілі розеткаларды немесе тасымалдағыш желілік тізбектерді құрылғының артқы қабырғасына қоймаңыз.

1.6 Қауіпсіз пайдалану

⚠ ЕСКЕРТУ – Электрик тоқ соғу қатері бар!

Ішке кірген ылғал ток соғуға әкелуі мүмкін.

- ▶ Құрылғыны тек жабық бөлмелерде пайдаланыңыз.
- ▶ Құрылғыға қатты жылудың немесе ылғалдың тиюіне жол бермеңіз.
- ▶ Құрылғыны тазалау үшін булап тазартқыш немесе жоғары басымдылықты булап тазартқышты пайдаланбаңыз.

⚠ ЕСКЕРТУ – Тұншығып қалу қатері!

Балалар орама материалын бастарына киіп немесе оралып тұншығып қалуы мүмкін.

- ▶ Орама материалды балалардан алыс ұстаңыз.
 - ▶ Балаларға орам материалдарымен ойнауға рұқсат етпеңіз.
- Балалар кіші бөлшектерді деммен жұтып немесе жұтып тұншығып қалуы мүмкін.
- ▶ Кіші бөлшектерді балалардан алыс ұстаңыз.
 - ▶ Балаларға кіші бөлшектерді ойнауға рұқсат етпеңіз.

⚠ ЕСКЕРТУ – Жарылу қауіпі!

Егер салқындатқыштың тізбегі зақымдалған болса, жанғыш хладагент кетіп, жарылыс тудыруы мүмкін.

- ▶ Тез ерітіп-жібіту үшін, өндіруші ұсынғаннан бөлек механикалық жабдықтарды немесе құралдарды пайдаланбаңыз.
- ▶ Мұздатылған тағамды бөлу үшін ағаш қасық сабы сияқты доғал затты пайдаланыңыз.

Жанғыш әрі ығыстырғыш газдары бар өнімдерді және аэрозольді баллондар секілді жарылу қаупі бар заттар жарылып кетуі мүмкін.

- ▶ Жанғыш әрі қыздырғыш газдары бар өнімдер мен жарылу қаупі бар заттарды құрылғының ішінде сақтамаңыз.

⚠ ЕСКЕРТУ – Өрт шығу қатері!

Құрылғы ішінде электр құрылғыларын (мәселен, қыздырғыштар немесе балмұздақ дайындайтын электрлік құралдар) пайдалану салдарынан өрт тууы мүмкін.

- ▶ Құрылғының ішінде электрлік құрылғылар қолданбаңыз.

⚠ ЕСКЕРТУ – Жарақаттану қатері!

Газданған ішімдіктер құйылған ыдыстар жарылуы мүмкін.

- ▶ Газдалған ішімдіктер құйылған ыдыстарды мұздатқыш бөлімге салмаңыз.

Жанғыш хладагент пен зиянды газдардың ағып кетуінен көзге зақым тиюі мүмкін.

- ▶ Хландагент жүйесінің құбырлары мен оқшаулағышқа зақым келтірмеңіз.

Құрылғы аударылып кетуі мүмкін.

- ▶ Тіректерді, суырмаларды және есіктерді баспаңыз және оларға сүйкенбеңіз.

⚠ ЕСКЕРТУ – Күйіп қалу қатері!

Құрылғының артқы қабырғасындағы кей бөлшектер жұмыс барысында қызып кетеді.

- ▶ Құрылғының қызып тұрған бөлшектеріне ешқашан тимеңіз.

⚠ ЕСКЕРТУ – Үсу қауіп-қатері!

Мұздатылған өнімдер мен суық беттерді ұстаудан да жарақат алу қаупі бар.

- ▶ Ешқашан мұздатылған өнімдерді мұздатқыш бөлімнен шығарған бойда ұстамаңыз.
- ▶ Теріні мұздатылған өнімдерге, мұзға және мұздатқыш бөлімдегі құбырларға ұзақ уақыт тигізбеңіз.

⚠ БАЙҚА – Деңсаулыққа зиян келтіру қауіпі!

Азық-түліктердің ластанып кетуін болдырмас үшін, төменде көрсетілген нұсқауларды орындаңыз.

- ▶ Есіктер ұзақ уақыт бойы ашық қалса, құрылғы ішіндегі кей бөліктердегі температура көтеріліп кетуі мүмкін.
- ▶ Азық-түліктермен жанасуы мүмкін беттер мен кептіру жүйелерінің шығып тұрған бөліктерін жиі тазалап тұрыңыз.
- ▶ Шикі ет пен балықты тоңазытқыштың тиісті контейнерлерінде, олар басқа өнімдерге тиіп және тамып кетпейдіндей етіп сақтаңыз.
- ▶ Егер тоңазытқыш/мұздатқыш ұзақ уақыт бойы тоқтап қалса, құрылғыны өшіріңіз де, жібітіп, тазалап алыңыз, содан соң көгеріп кетпес үшін есікті ашық қалдырыңыз.

Құрылғының металдан немесе сырты металға ұқсас өнімдерден жасалған бөлшектерінің құрамында алюминий болуы мүмкін.

Құрамында қышқыл бар өнімдер құрылғының алюминийден жасалған бөлшектерімен жанасқанда, алюминий иондары өнімнің ішіне еніп кетеді.

- ▶ Мұндай өнімдерді тағам ретінде пайдаланбаңыз.

1.7 Зақымдалған құрылғы

⚠ ЕСКЕРТУ – Электрик тоқ соғу қатері бар!

Зақымдалған құрылғы немесе зақымдалған желіге қосу сымы қауіпті болады.

- ▶ Тек қана зақымдалған құрылғыны пайдаланыңыз.
- ▶ Құрылғыны электр желісінен ажырату үшін желілік кабельден тартуға тыйым салынады. Желіге қосу кабелді ашасынан тартыңыз.
- ▶ Құрылғы немесе желілік кабель зақымданған жағдайда, желі кабелінің ашасын розеткадан дереу шығарып алыңыз немесе сақтандырғыш блогындағы сақтандырғышты өшіріңіз.
- ▶ Қолдау көрсету қызметіне хабарласыңыз. → *Бет83*

Тиісті болмаған жөндеулер қауіпті болып табылады.

- ▶ Құрылғыдағы жөндеу жұмыстарын тек білікті мамандар орындай алады.

- ▶ Құрылғыны жөндеу үшін тек түпнұсқа бөлшектері ғана пайдаланылуы мүмкін.
- ▶ Осы бұйымның желі кабелі бұзылып зақымданған күйде болса, қауіптердің пайда болуын болдырмау үшін, оның шығарушы немесе техникалық қызмет көрсету орталығының маманы арқылы, немесе осыларға ұқсас арнайы білімі бар адам тарабынан ауыстырылуы қажет.

⚠ ЕСКЕРТУ – Өрт шығу қатері!



Түтіктер зақымдалған болса, жанғыш хладагент пен зиянды газдар ағып, тұтанып кетуі мүмкін.

- ▶ Құрылғыны ашық жалыннан және тұтанғыш көздерден аулақ ұстаңыз.
- ▶ Бөлмені желдетіңіз.
- ▶ Құрылғыны өшіріңіз. → *Бет72*
- ▶ Желі сымын қоректендіру сымынан ажыратыңыз немесе сақтандырғыштар блогындағы сақтандырғышты өшіріңіз.
- ▶ Қолдау көрсету қызметіне хабарласыңыз. → *Бет83*

2 Материалдық зияндардың алдын алу

НАЗАР АУДАРЫҢЫЗ!

Құрылғыны тасымалдау барысында оның роликтері қисайып кететіндіктен, еденді зақымдауы мүмкін.

- ▶ Құрылғыны арбаға салып тасымалдаңыз.
- ▶ Құрылғыны тасымалдағанда, оны ирек жолмен жылжытыңыз және еденге арналған қорғаныш құралын қолданыңыз.

Құрылғыны, жертөлени, тартылатын элементтерді немесе есіктерді орындық немесе көтергіш бет ретінде пайдалану құрылғыға зақым келтіруі мүмкін.

- ▶ Құрылғыға, жертөлеге, тартылатын элементтерге немесе есіктерге баспаңыз немесе сүйенбеңіз.

Май мен майлауыштардың тиіп кетуінен, есіктің нығыздауыштары мен пластмасса бөлшектерінде ұсақ тесіктер пайда болуы мүмкін.

- ▶ Пластмасса бөлшектер мен есік нығыздауыштарына май немесе майлауыштардың тиіп кетуіне жол бермеңіз.

Құрылғының металдан немесе сырты металға ұқсас өнімдерден жасалған бөлшектерінің құрамында алюминий болуы мүмкін. Алюминий, құрамында қышқыл бар өнімдермен жанасқанда реакцияға түседі.

- ▶ Құрылғының ішіне өнімдерді орамасыз сақтамаңыз.

Жабдықтау элементтері мен құрал-саймандарды ыдыс жуғыш машинада жуғанда, олардың пішіні мен түсі өзгеруі мүмкін.

- ▶ Құрылғы бөліктері мен керек-жарақтарын ыдыс жуғышта жумаңыз.

3 Қоршаған ортаны қорғау және сақтау

3.1 Буып-түйетін нәрселерді кәдеге жарату

Орауыш материалдары қоршаған ортаға зиян тигізбейді және оларды қайта өңдеуге болады.

- ▶ Бөлек компоненттерді ажыратып, сұрыптары бойынша кәдеге жаратыңыз.

3.2 Энергия үнемдеу

Егер төмендегі нұсқауларды орындасаңыз құрылғы кемірек тоқ тұтынады.

Орнататын орынды таңдау

- Құрылғыны тік күн сәулелерінің әсерінен қорғаңыз.
- Құрылғыны жылытқыш радиаторлардан, пештер мен өзге де жылу көздерінен алшақ ұстаңыз:
 - Электрлік немесе газ плиталарынан 30 мм қашықтықты сақтаңыз.
 - май немесе көмір пештерінен 300 мм қашықтықты сақтаңыз.
- Бүйір қабырғаға дейінгі 50 мм қашықтықты сақтаңыз.
- Сыртқы желдеткіш торларды жаппаңыз және алдына ештеңе қоймаңыз.

Құрылғыны пайдалану барысында электр энергиясын үнемдеу

Жазба: Жабдықтардың орналасуы, құрылғының электр энергиясының шығынына әсер етпейді.

- Құрылғының есігін тек аз уақытқа ашыңыз және оны мұқият жабыңыз.

- Сыртқы және ішкі желдеткіш торларды жаппаңыз және алдына ештеңе қоймаңыз.
- Сатып алынған азық-түліктерді тоңазытқыш сөмкемен тасымалдап, дереу құрылғы ішіне салыңыз.
- Тоңазытқышқа сақтап қойған алдында тағамдарды және сусындықтарды суытып алыңыз.
- Мұздатылған өнімдердің бойындағы салқынды пайдалану үшін, оларды ерітерде тоңазытқыш бөлімге салыңыз.
- Әрдайым азық-түліктер мен артқы қабырға арасында кішкене бос орын қалдырып қойыңыз.

Күту режимі

Егер құрылғы пайдалынбаса, дисплей автоматты түрде күту тәртібіне ауысады.

Күту режимінде басқару элементтің жарықтылығы азаяды.

4 Орнату және қосу

4.1 Жеткізу жинағы

Жеткізілген соң барлық бөлшектерді тексеріп, жинақтың толық екеніне және онда еш зақым жоқ екеніне көз жеткізіңіз.

Дағуалар болса, дилеріңізге немесе біздің мүшелер қызметімізге

→ *Бет83* хабарласыңыз.

Жеткізу жинағының құрамы:

- Автономдық блок
- Жабдықтау элементтері мен құрал-саймандар¹
- Орнатуға арналған материал

- Құрылғыны орнату жөніндегі нұсқаулар
- Пайдалану нұсқаулығы
- Қызмет көрсету орталығының тізбесі
- Кепілдік талоны²
- Энергия тұтыну туралы ақпарат жазылған жапсырма
- Электр қуатын пайдалану және дыбыстар жөнінде мәліметтер

4.2 Құрылғыны орнататын орынды таңдау критерийлері

ЕСКЕРТУ **Жарылу қауіпі!**

Ауданы шағын бөлмелерде хладагент төгіліп кеткен жағдайда, тұтануы мүмкін газ бен ауа қоспасы пайда болуы мүмкін.

- ▶ Құрылғыны ауданы 1 м³-қа 8 г хладагент келетіндей болатын бөлмеге ғана орнатыңыз. Хладагенттің мөлшері құрылғының ішіндегі зауыттық тақтайшада көрсетілген.

→ *Сур. 1 / 3*

Құрылғының салмағы зауыттық үлгіге қарай 95 кг-ға дейін болуы мүмкін.

Құрылғының салмағына шыдау үшін, орнатылатын бет жеткілікті деңгейде мықты болуы керек.

Рұқсат етілген бөлме температурасы

Рұқсат етілген бөлме температурасы құрылғының климаттық сыныптамасына байланысты.

¹ Құрылғы жабдықталуына сай

² Барлық елдерде бола бермейді

kk Танысу

Электрбұйымның климаттық сыныптамасы оның техникалық ақпарат тақтайшасында көрсетілген. → Сур. **1** / **3**

Климаттық сыныптама	Рұқсат етілген бөлме температурасы
SN	10–32 °C
N	16–32 °C
ST	16–38 °C
T	16–43 °C

Құрылғы рұқсат етілген бөлме температурасында толық жұмыс істей алады.

Бөлме температурасы едәуір төмен болған жағдайда SN климаттық сыныптамасындағы құрылғыны пайдаланса, құрылғының зақымдалуын болдырмас үшін бөлме температурасының 5 °C болғаны жеткілікті.

Үстінен және астынан және қатарлап орналасуы

2 тоңазытқыш құрылғыны үсті-үстінен немесе қатар орналастырғыңыз келсе, олардың арасында, кем дегенде 150 мм-лік қашықтық сақталуы тиіс. Таңдалған құрылғыларды бір-біріне жақын орнатуға болады. Дилерден немесе ас үйді жоспарлаушылардан сұраңыз.

4.3 Құрылғыны орнату

- ▶ Құрылғыны берілген орнату нұсқауларына сәйкес орнатыңыз.

4.4 Құрылғыны пайдалана бастауға дайындау

1. Ақпараттық материалдарды шығарыңыз.

2. Жабысқақ таспа мен картон секілді тасымалдау бекіткіштерін және қорғаныш қабығын шешіңіз.
3. Алғаш рет қолданар алдында құрылғыны тазалап алыңыз. → Бет77

4.5 Құрылғыны электрге қосу

1. Құрылғының желіге қосу кабелінің ашасын құрылғыға жақын орналасқан розеткаға қосыңыз. Құрылғының қосу деректері зауыттық тақтайшада тұрады. → Сур. **1** / **3**
 2. Желі айырын қатты тұруына тексеріңіз.
- ✓ Құрылғы енді жұмыс істеуге дайын.

5 Танысу

5.1 Құрылғы

Осы жерде құрылғының бөлшектеріне шолуды табасыз. → Сур. **1**

A Мұздату бөлімшесі → Бет75

B Суыту бөлімшесі → Бет74

1 Жарық

2 Мұз генераторы → Бет70

3 Зауыттық тақтайша → Бет84

4 Температура реттегіші (сақтау контейнері) → Бет72

5 Сақтау үшін контейнері → Бет69

6 Ылғалды реттеп тұратын, көкөністер мен жемістер салатын контейнер → Бет69

-
- 7** Басқару панелі → *Бет69*
-
- 8** Ішкі желдеткіш шілтері (тоңазытқыш бөлімшесі)
-
- 9** Бөтелке қоятын есік сөрелері → *Бет70*
-
- 10** Бұрандалы табан
-


Жазба: Жабдықтау элементтері мен құрылғыңыздың өлшемдері суреттегіден ерекшеленуі мүмкін.

5.2 Басқару панелі

Басқару панелі арқылы құрылғының барлық функцияларын реттеуге және жұмыс күйі туралы мәліметтерді алуға болады.

→ *Сур. 2*

-
- 1** Freezer мұздатқыш бөлімнің температурасын реттейді.
-
- 2** Fridge тоңазытқыш бөлімнің температурасын реттейді.
-
- 3** super (Мұздатқыш бөлім) таңбасы Супер мұздату функциясы қосулы тұрғанда жанып тұрады.
-
- 4** Мұздатқыш бөлімдегі температураны °C-мен көрсетеді.
-
- 5** lock 3s басқару панелінің бұғаттау түймелерің қосады немесе сөндіреді.
-
- 6**  таңбасы, батырмаларды бұғатталып тұрғанда жанып тұрады.
-
- 7** Тоңазытқыш бөлімдегі температураны °C-мен көрсетеді.
-
- 8** super (Тоңазытқыш бөлім) таңбасы Супер салқындату функциясы қосулы тұрғанда жанып тұрады.
-

-
- 9**  сигнализация жүйесі қосулы тұрғанда жанып тұрады.
-
- 10** alarm off ескерту сигналы өшіріледі.
-

6 Жабдықтау

Құрылғыңыздың жеткізу жинағы оның үлгісіне қарай ерекшеленуі мүмкін.

6.1 Сөре

Сөренің орнын ауыстырғыңыз келсе, оны шығарып алып, басқа жерге орнатыңыз.

→ *"Сөрелерді шешу", Бет78*

6.2 Сақтау үшін контейнері

Сақтау контейнердің температура деңгейі тоңазыту камерасындағы деңгейден төменірек. Температура уақытша 0 °C төмен түсуі мүмкін. Сақтау контейнердегі температураны 0 °C-қа жақын ұстау үшін, тоңазытқыш бөлімнің температурасын 2 °C-қа қойыңыз.

→ *Бет72*

Балық, ет және шұжық секілді тез бұзылатын өнімдерді сақтау үшін, өнімдерді балғын күйде сақтау үшін сақтау контейнерде аса төмен температураны орнатыңыз.



6.3 Ылғалды реттеп тұратын, көкөністер мен жемістер салатын контейнер

Оралмаған жаңа піскен жемістер мен көкөністерді жеміс-көкөніс контейнерде сақтаңыз. Кесілген жемістер мен көкөністерді жабыңыз немесе ауа өткізбейтін контейнерде сақтаңыз.

Ылғалды реттегішпен көкөністер салатын контейнердегі ауаның ылғалдығын реттеуге болады. Осылайша балғын көкөніс пен жемістерді қалыпты әдіспен салыстырғанда екі есеге дейін ұзағырақ уақыт сақтауға болады.

→ Сур. 3

Жүктелген өнімдердің түрі мен санына байланысты, жемістер мен көкөністерге арналған қораптағы ылғалдылықты жылжыту арқылы ылғалдылықты орнату:

- Сақталатын азық-түліктің көп бөлігі жемістер болғанда және көп азық-түлік салатын жағдайдағы  төмен ылғалдық.
- Көп мөлшерде көкөністер сақтағанда немесе жүктеме төмен болғандағы  жоғары ылғалдылық.

Жемістер мен көкөністер салатын контейнерде сақталатын азық-түліктердің мөлшері мен көлеміне қарай конденсат түзілуі мүмкін. Конденсацияланған суды құрғақ шүберекпен сүртіп алыңыз және ылғалдылық реттегішінің көмегімен төмен ылғалдылық деңгейін орнатыңыз.

Өнімнің сапасы мен иісін сақтап қалу үшін, суыққа төзбейтін жемістер мен көкөністерді мысалы ананас, банан, цитрус жемістері, қияр, асқабақ, қоңыр бұрыш, қызанақ және картоп, тоңазытқыштан тыс жерде шамасымен 8 °C ден 12 °C дейін температурада сақтаңыз.

6.4 Контейнерді бөлгіш

Көкөністер мен жемістер салатын контейнердің сегментациясын өзгерту үшін, бөлгішті шығарып алуыңызға немесе орнын

ауыстыруыңызға болады.

→ "Контейнер бөлгішті шығару", Бет78

6.5 Есік сөресі

Егер есік сөрелерінің орнын ауыстырып қойғыңыз келсе, оларды шығарып алып, басқа жерге қойыңыз.

→ "Есік сөрелерін шешу", Бет78

6.6 Мұз генераторы

Мұз генераторын ауыз судан мұз текшелерін әзірлеу үшін қолданыңыз.

Мұз текшелерін дайындау

Мұз текшелерін дайындау үшін, тек қана ауыз су пайдаланыңыз.

1. Мұз текшелерін жасайтын ыдысты шығарып ①, оның $\frac{3}{4}$ бөлігіне ауыз су толтырып ②, қайтадан орнына салыңыз ③.

→ Сур. 4

Жазба: Тым көп мөлшердегі су мұз генераторының жұмысын бұзуы мүмкін. Мұз текшелері мұз текшелерін жасайтын ыдыстан бөлек шығарып алынбайды. Егер мұз контейнеріне тым көп су құйылып кетсе, ондағы мұз текшелері қатып қалады.

2. Мұз текшелері дайын болған кезде, мұз текшесі контейнерінің тұтқасын бірнеше рет оңға бұрап, босатыңыз.

→ Сур. 5

✓ Текшелер қалыптан түсіп, мұз контейнеріне құлайды.

3. Контейнерді шығарып алып, ішіндегі мұз текшелерін шығарыңыз.

→ Сур. 6

6.7 Керек-жарақтар

Түпнұсқалық жабдықтарды пайдаланыңыз. Олар осы құрылғыға бейімделген.

Құрылғының керек-жарақтары үлгіге байланысты.

Жұмыртқа қоятын сөре

Жұмыртқаларды қауіпсіз сақтау үшін, жұмыртқа салатын қойғышты пайдаланыңыз.

Бөтелке қойғыш

Бөтелке қойғыш есікті ашып-жапқанда бөтелкелердің аударылып кетуін болдырмайды.

→ Сур. **7**

Реттелетін бөтелке науасы

Бөтелкелерді реттелетін бөтелке науасында қауіпсіз сақтаңыз.

→ Сур. **8**

Мұз текшелерін салатын ыдыс

Мұз текшелерін салатын ыдысты мұз текшелерін жасау үшін пайдаланыңыз.

Мұз текшелерін дайындау

Мұз текшелерін дайындау үшін, тек қана ауыз су пайдаланыңыз.

1. Мұз текшесі науасын $\frac{3}{4}$ бөлігін ауыз сумен толтырып, мұздатқышқа салыңыз.

Мұздатылған мұз науасын доғал затпен босатыңыз, мысалы, ағаш қасық сабы.

2. Мұз текшелерін шығару үшін, ыдысты ағын судың астында сәл ұстап тұрып, аздап майыстырыңыз.

7 Негізгі басқару

7.1 Құрылғыны қосыңыз

1. Құрылғыны электр желісіне жалғаңыз → Бет68

Жазба: Егер мұның алдында құрылғы басқару элементтерімен өшірілген болса, басып alarm off15 секунд бойы басып тұрыңыз.

- ✓ Құрылғы салқиндай бастайды.
 - ✓ Ескерту сигналы, температура индикаторы (мұздатқыш бөлім) жыпылықтайды және ^❶) қызыл түспен жыпылықтайды, өйткені мұздатқыш бөлімі әлі жылы.
2. Ескерту сигналы alarm off пайдаланып өшіріңіз.
 - ✓ Орнатылған температураға жеткен сәтте ^❶) өшеді.
 3. Қажетті температураны орнатыңыз. → Бет72

7.2 Құрылғы жұмысына қатысты нұсқаулар

- Құрылғы қосулы болса, белгіленген температураға жету үшін бірнеше сағатқа дейін уақыт кетеді. Белгіленген температураға жеткенше дейін тағамды салмаңыз.
- Корпустың алғы жағы мен жан қабырғалары жартылай уақытша ысиды. Бұл арқылы ылғалдықтың конденсациясының пайда болуына жол берілмейді.
- Егер сіз есікті жапсаңыз, сирек болуы мүмкін. Есікті қайта ашу қиын. Теріс қысым өтелгенше бір минут күтіңіз.
- Құрылғыдағы температура келесі жағдайларға байланысты өзгереді:
 - Құрылғының ашылу жиілігі

kk Қосымша функциялар

- Жүктеу саны
- Қоймада сақталған жаңа тағамның температурасы
- Қоршаған орта температурасы
- Тікелей күн сәулесі

7.3 Құрылғыны өшіру

- ▶ alarm off түймесін 15 секунд бойы басып тұрыңыз.

7.4 Температураны орнату

Тоңазытқыш бөлімдегі температураны орнату

- ▶ Температура дисплейінде қажетті температура параметрі көрсетілгенше түймесін қайта-қайта Fridge басыңыз.

Орнатылған температураға жету үшін сақтау резервуарындағы температура реттегішін төменнен $\frac{1}{3}$ позициясына сырғытыңыз.

→ Бет72

Тоңазытқыш бөлімдегі температураны 4 °C-қа қоюға кеңес береміз.

Сақтау контейнердің температурасын орнату

1. Температураны төмендету үшін температура реттегішін **extra cold** бағытына жылжытыңыз.
2. Температураны көтеру үшін температура реттегішін **cold** бағытына жылжытыңыз.

→ Сур. 9

Мұздатқыш бөлімдегі температураны орнату


- ▶ Температура дисплейінде қажетті температура параметрі көрсетілгенше түймесін қайта-қайта Freezer басыңыз.

Мұздатқыш бөлімде орнатуға ұсынылатын температура –18 °C-ты құрайды.


7.5 Пернелерді бұғаттау (балалар қауіпсіздігі үшін бұғаттау)

Пернелерді бұғаттау арқылы, құрылғыны жоспарсыз пайдалану немесе дұрыс пайдаланбаудың алдын алуға болады.

Пернелердің бұғатын

- ▶ Lock 3s басып, 3 секундтай ұстаңыз.
- ✓  жанып тұр.

Пернелер бұғатын

- ▶ Lock 3s басып, 3 секундтай ұстаңыз.
- ✓  шығады.

8 Қосымша функциялар

Құрылғыңыздың қандай қосымша функцияларды қолдайтынын анықтап алыңыз.

8.1 Супер салқындату функциясы

Супер салқындату функциясы қосылғанда, тоңазытқыш бөлім қарқынды түрде салқындатылады.

Тоңазытқышқа көп көлемдегі азық-түлік салмас бұрын, Супер салқындату функциясы басыңыз.

Жазба: Егер Супер салқындату функциясы қосулы болса, құрылғыны пайдалану барысында көптеген шулар шығуы мүмкін.

Супер салқындату функциясы қосу

- ▶ Fridge батырмасын, super (Тоңазытқыш бөлім) таңбасы жанғанша баса беріңіз.

Жазба: Шамамен 6 сағаттан кейін құрылғы қалыпты жұмыс режиміне ауысады.

Супер салқындату функциясы өшіру

- ▶ Температура индикаторында (мұздатқыш бөлімшесі) қалаған мән көрсетілгенше, Fridge баса беріңіз.

8.2 Супер мұздату функциясы

Супер мұздату функциясыбарысында мұздатқыш бөлім максималды түрде қарқынды салқындатылады.

2 кг-нан аса өнім салатын болсаңыз, оған дейін Супер мұздату функциясы функциясын 4–6 сағатқа қосып қойыңыз.

Мұздату мүмкіндіктерін пайдалану үшін, Супер мұздату функциясықосыңыз.

→ "Мұздату өнімділігіне қатысты шарттар", Бет75

Жазба: Егер Супер мұздату функциясы қосулы болса, құрылғыны пайдалану барысында көптеген шулар шығуы мүмкін.

Супер мұздату функциясы қосу

- ▶ Freezer батырмасын, super (Мұздатқыш бөлім) таңбасы жанғанша баса беріңіз.

Жазба: Шамамен 54 сағаттан кейін құрылғы қалыпты жұмыс режиміне ауысады.

Супер мұздату функциясы өшіру

- ▶ Температура индикаторында (мұздатқыш бөлімшесі) қалаған мән көрсетілгенше, Freezer баса беріңіз.

9 Сигнал

9.1 Есік сигналы

Егер құрылғы есігі ұзақ уақыт ашық тұрса, есік сигналы қосылады. Ескертпе дыбысы беріледі және «)) қызыл түспен жыпылықтайды.

Есік сигналын өшіру

- ▶ Құрылғының есігін жабыңыз немесе alarm off басыңыз.
- ✓ Ескерту сигналы өшірілді.

9.2 Қызып кету туралы дыбыстық белгі

Мұздатқыш бөлімнің іші тым жылып кеткенде шығатын, температураның артқаны туралы ескерту сигналы. Ескертпе дыбысы беріледі, температура индикаторы (мұздатқыш бөлімі) және «)) қызыл түспен жыпылықтайды.

⚠ БАЙҚА

Деңсаулыққа зиян келтіру қауіпі!

Мұздатылған өнімдердің еруі барысында бактериялар пайда болып, олар өнімдерді бұзуы мүмкін.

- ▶ Ерітілген тағамдарды қайта мұздатуға болмайды.
- ▶ Өнімдерді тек пісіріп не қуырғаннан кейін қайта мұздатуға болады.
- ▶ Максималды сақтау мерзімін асырмаған жөн.

Температура көтерілу туралы алдын ала ескерту дыбысы келесі жағдайларда іске қосылуы мүмкін:

- Құрылғы іске қосылып жатыр. Белгіленген температураға жеткеннен кейін тағамды сақтауға жүктеу керек.
- Балғын азық-түліктер үлкен көлемде салынып жатыр. Тағамдардың үлкен мөлшерлерді жүктеу алдында Супер мұздату функциясы қосыңыз.
- Мұздатқыш бөлімінің есігі тым ұзақ уақыт ашық тұрған. Мұздатылған тағамның ерігеніне немесе жібітілгеніне көз жеткізіңіз.

Температура бойынша сақтандыру белгісін өшіріңіз

- ▶ alarm off батырмасын басыңыз.
- ✓ Ескерту сигналы өшірілді.

10 Тоңазытқыш бөлімі

Ет, шұжық, балық, сүт өнімдері, жұмыртқа, дайын тағамдар мен нан-тоқаш өнімдерін тоңазытқыш бөлімде сақтауыңызға болады. Температура 2 °C-тан 8 °C-қа дейінгі диапазонда реттеледі. Салқын салқындатқыш арқылы тез бұзылатын тағамдарды қысқа және орта мерзімді перспективада сақтауға болады. Таңдалған температура неғұрлым төмен болса, азық-түліктердің балғын күйі соғұрлым ұзақ сақталады.

10.1 Тоңазытқыш бөлімде азық-түліктер сақтау жөніндегі кеңестер

- Азық-түліктердің балғын күйінде және зақымдалмаған түрінде жүктеңіз.

- Тағамдарды мықтап жабыңыз немесе герметикалық ыдыста жауып қойып сақтаңыз.
- Ауа айналымына әсер етпеуін және тағамның қатып қалуын болдырмау үшін тағамды ішкі желдету саңылауларының алдына немесе артқы қабырғаға тікелей жанасатындай қылып орнатпаңыз.
- Алдымен ыстық тамақ пен сусындарды салқындатыңыз.
- Өндірушінің жарамдылық мерзіміне немесе сақтау мерзіміне назар аударыңыз.

10.2 Тоңазытқыш бөлімдегі температуралық зоналар

Тоңазытқыш бөлімдегі ауа айналымынан әртүрлі суық зоналар пайда болады.

Ең суық аймағы

Ең суық зона бүйірдегі бағыттауыш пен төменгі сөре арасында болады.

Кеңес: Ең салқын бөлімшесінде тез бұзылатын азық-түліктерді сақтаңыз, мысалы балық, шұжық және ет.

Ең жылы зона

Ең жылы зона есіктегі жоғарғы жағында орналасқан.

Кеңес: Ең жоғары температура зонасында ұзақ уақыт сақталатын өнімдерді, мәселен, қатты ірімшік пен май сақтаңыз. Осы жерде сақтау арқылы ірімшік өзінің дәмін мен жұпар иісін сақтап, ал май нанға жағу үшін қатпай, жұмсақ қалыпта сақталады.

11 Мұздатқыш бөлімі

Сіз мұздатқыш бөлімде мұздатылған өнімдерді сақтап, азық-түліктерді қатырып, мұз текшелерін дайындау аласыз.

Температура –16 °C-тан –24 °C-қа дейінгі диапазонда реттеледі.

Азық-түліктерді ұзақ уақыт сақтау үшін, -18°C немесе одан төмен температураны қоюға кеңес береміз.

Азық-түліктерді қатырылған күйде сақтау арқылы тез бұзылатын өнімдерді ұзақ уақыт бойы сақтау мүмкіндігі туады. Төмен температуралардың арқасында азық-түліктердің бұзылу процесін баяулатуға немесе тоқтатуға болады.

11.1 Мұздату өнімділігі

Мұздату өнімділігі азық-түліктерді қанша мөлшерде және қанша уақытта қатты мұздатуға болатындығын көрсетеді.

Мұздату өнімділігі туралы деректер зауыттық тақтайшада көрсетілген. → Сур. **1** / **3**

Мұздату өнімділігіне қатысты шарттар

1. Балғын өнімдерді салғанға дейін шамамен 24 сағат бұрын, Супер мұздату функциясы басыңыз.
→ "Супер мұздату функциясы қосу", Бет73
2. Алдымен өнімдерді мұздатқыш бөлімінің алдына салыңыз.
3. Егер мұздатқыш бөлімінің алдыңғы жерде жеткіліксіз болса, қалған тағамды мұздатқыш бөлімінің түбінің алдыңғы жағына қойыңыз.

11.2 Азық-түліктерді мұздатқыш бөлім ішіне тұтастай орналастыру

Мұздатқыш бөлімге мұздатылған өнімдердің максималды мөлшерін орналастыру жолын анықтаңыз.

1. Барлық жарық элементтерді мұздатқыш бөлімінен алыңыз.
→ Бет78
2. Өнімдерді мұздатқыш бөлімнің дәл түбіне орналастырыңыз.

11.3 Мұздатқыш бөлімде азық-түліктер сақтау жөніндегі кеңестер

- Тамақты қымтақты ыдыста сақтаңыз.
- Мұздатылатын азық-түліктердің бір-біріне тиіп кетпеуін қадағалаңыз.
- Азық-түліктерді мұздатқыш бөлімге жайып, таратып орналастырыңыз.

11.4 Балғын өнімдерді мұздатуға қатысты кеңестер

- Балғын өнімдерді тек мінсіз күйінде мұздатыңыз.
- Тамақты бөлігімен мұздатыңыз.
- Бұған шикі өнімдерден гөрі дайын тағамдар көбірек сай келеді.
- Көкөністерді мұздатпас бұрын шайып тастау керек, булау және кесіп тастау керек.
- Жемістерді мұздатпас бұрын, оларды жуып, дөнегін тазалап, қажет болса, қабығын тазалап, қажет болған жағдайда қант немесе аскорбин қышқылының ерітіндісін қосыңыз.
- Мұздатуға жарамды тағамдар бұл нан-тоқаш өнімдері, балық және теңіз өнімдері, ет, жабайы, құс еті,

қабығы жоқ жұмыртқа, ірімшік, май, сүзбе, дайын тағамдар мен тамақ қалдықтары.

- Мұздатуға жарамсыз тағамдар: салат, редис, жұмыртқа қабығымен, жүзім, тұтас алма мен алмұрт, йогурт, қаймақ, крем шырыны, майонез.

Мұздатылатын тағамдарды орау

Дұрыс орау материалы және дұрыс орау түрі көбінесе өнімнің сапасын сақтап, оны қатып қалуға жол бермейді.

1. Өнімдерді орамаға салыңыз.
2. Ішіндегі бар ауаны шығарыңыз.
3. Азық-түліктердің дәмі кетіп, кеуіп қалмас үшін, саңылау қалдырмай ораңыз.
4. Ораманың сыртына ішіндегі өнімді және мұздатылған күнді жазып қойыңыз.

11.5 -18 °С-тағы мұздатылған өнімдердің сақталу мерзімі

Азық-түлік	Сақтау мерзімі
Балық, шұжық өнімдері, дайын тағамдар, нан-тоқаш өнімдері	6 айға дейін
Құс, ет	8 айға дейін
Көкөністер, жемістер	12 айға дейін

Басып шығарылған мұздатқыш бөлім күнтізбесі тұрақты $-18\text{ }^{\circ}\text{C}$ температурадағы айлық максималды сақтау ұзақтығын көрсетеді.

11.6 Мұздатылған өнімдерді еріту тәсілдері

⚠ БАЙҚА **Деңсаулыққа зиян келтіру қауіпі!**

Мұздатылған өнімдердің еруі барысында бактериялар пайда болып, олар өнімдерді бұзуы мүмкін.

- ▶ Ерітілген тағамдарды қайта мұздатуға болмайды.
- ▶ Өнімдерді тек пісіріп не қуырғаннан кейін қайта мұздатуға болады.
- ▶ Максималды сақтау мерзімін асырмаған жөн.
- Тоңазытқышта жануарлардан алынатын өнімдерді, мысалы, балық, ет, ірімшік және сүзбе.
- Нанды бөлме температурасында жібітіңіз.
- Тағамды микротолқынды пеште, пеште немесе плитада дереу тұтынуға дайындаңыз.

12 Еріту

12.1 Тоңазытқыш бөлімді еріту

Тоңазытқыш бөлім автоматты түрде жибиді.

12.2 Мұздатқыш бөлімде еріту

Толықтай автоматты «NoFrost» жүйесінің арқасында мұздатқыш бөлімнің ішінде мұз түзілмейді. Ерітуді қажет етпейді.

13 Тазалау және күту

Құрылғыңыздың ұзақ уақыт бойы жұмыс жасауын болдыру үшін, оны мұқият тазалап күтіңіз.

Қолжетімсіз жерлерді қызмет көрсету орталығының мамандары тазалауы тиіс. Қызмет көрсету орталығының тарапынан тазалау жұмысы үшін ақы алынуы мүмкін.

13.1 Құрылғыны тазалауға дайындау

1. Құрылғыны өшіріңіз. → *Бет72*
2. Құрылғыны тоқ желісінен ажыратыңыз.
Желі сымын қоректендіру сымынан ажыратыңыз немесе сақтандырғыштар блогындағы сақтандырғышты өшіріңіз.
3. Тағамдарды шығарып, оларды салқын жерге салып қойыңыз.
Егер сізде салқындатқыш аккумуляторлар болса, оларды мұздатылған өнімдердің үстіне қойып қойыңыз.

4. Құрылғыдан барлық жабдық бөлшектерін және керек-жарақтарын шығарып алыңыз.
→ *Бет78*

13.2 Құрылғыны тазалау

⚠ ЕСКЕРТУ

Электрик тоқ соғу қатері бар!

Ішіне кірген ылғалдық тоқ соғуына алып келуі мүмкін.

- ▶ Құрылғыны тазалау үшін булап тазартқыш немесе жоғары басымдылықты булап тазартқышты пайдаланбаңыз. Жарықтандыру жүйесіне, басқару элементтеріне немесе ішкі желдету тесіктеріне түсетін сұйықтық қауіпті болуы мүмкін.
- ▶ Судың жарықтандыру жүйесіне, басқару элементтеріне немесе ішкі желдету саңылауларына кіруіне жол бермеңіз.

НАЗАР АУДАРЫҢЫЗ!

Сай емес тазалау заттары құрылғының беттерін зақымдауы мүмкін.

- ▶ Ешқандай қатты губка немесе тазалау губкаларын пайдаланбаңыз.
- ▶ Щетка немесе өткір қырғыш пайдаланбаңыз.
- ▶ Қатты алкогольдік тазалау құралын пайдаланбаңыз. Жабдықтау элементтері мен құрал-саймандарды ыдыс жуғыш машинада жуғанда, олардың пішіні мен түсі өзгеруі мүмкін.
- ▶ Құрылғы бөліктері мен керек-жарақтарын ыдыс жуғышта жумаңыз.

1. Құрылғыны тазалауға дайындаңыз. → *Бет77*
2. Құрылғыны, жабдықтау элементтерін, құрылғының бөлшектері мен есік

тығыздауыштарын шүберек пен аздаған рН-бейтарап ыдыс жуғыш құрал қосылған жылы сумен тазалап, жуыңыз.

3. Жұмсақ әрі құрғақ шүберекпен әбден құрғатып сүртіңіз.
4. Жабдықтау элементтері орнатыңыз.
5. Құрылғыны электр желісіне жалғаңыз → *Бет68*
6. Азық-түліктерді салыңыз.

13.3 Жабдықтау элементтерін шығарып алыңыз.

Егер жабдықтау элементтерін жақсылап тазалап алғыңыз келсе, оларды құрылғының ішінен шығарып алыңыз.

Сөрелерді шешу

- ▶ Сөрелерді сырғытып шығарыңыз, көтеріңіз және алыңыз.
→ *Сур. 10*

Есік сөрелерін шешу

- ▶ Сәл көтеріп және есік сөрелерін шығарып алыңыз.
→ *Сур. 11*

Контейнер бөлгішті шығару

- ▶ Бокс бөлгішті көтеріп шешіп алыңыз.
→ *Сур. 12*

Сақтау контейнерді шығару

1. Сақтау контейнерді тірелгенше жылжытып алыңыз.
2. Сақтау контейнерді сәл көтеріп ① және шығарып алыңыз ②.
→ *Сур. 13*

Жемістер мен көкөністер салатын контейнерді шешу

1. Көкөністер мен жемістер салатын контейнерді соңына дейін шығарыңыз.
2. Көкөністер мен жемістер салатын контейнерді сәл көтеріп ①, өзіңізге қарай тарта шығарып алыңыз ②.
→ *Сур. 14*

Мұз генераторын шығару

1. Мұз текшелер үшін ыдысты ① және мұз контейнерді ② шығарып және босатыңыз.
→ *Сур. 15*
2. «Push» түймесін басып ①, мұз генераторын оны алып тастау үшін ұстағыштан шығарыңыз ②.
→ *Сур. 16*
3. Ұстағышты артқы жағынан көтеріп, оны мұздатқыш бөлімшесінің сөресінің артына түсіріңіз ①. Өзіне қарай тартып ұстағышты шешіп алыңыз ②.
→ *Сур. 17*

14 Ақауларды жою

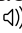
Құрылғыдағы елеусіз ақаулықтарды өз бетіңізбен жоюға болады. Қызмет көрсету орталығына хабарласпас бұрын ақаулықты жою бойынша ақпаратты қарап шығыңыз. Осылайша қажетсіз шығындардың алдын аласыз.

⚠ ЕСКЕРТУ

Электрик тоқ соғу қатері бар!

Тиісті болмаған жөндеулер қауіпті болып табылады.

- ▶ Құрылғыдағы жөндеу жұмыстарын тек білікті мамандар орындай алады.
- ▶ Құрылғыны жөндеу үшін тек түпнұсқа бөлшектері ғана пайдаланылуы мүмкін.
- ▶ Осы бұйымның желі кабелі бұзылып зақымданған күйде болса, қауіптердің пайда болуын болдырмау үшін, оның шығарушы немесе техникалық қызмет көрсету орталығының маманы арқылы, немесе осыларға ұқсас арнайы білімі бар адам тарабынан ауыстырылуы қажет.

Ақаулық	Ақаулардың себебі және оларды жою
Құрылғы салқындатпай тұр, индикаторлар мен жарықтандыру жанып тұр.	Презентация режимі қосылды. 1. Дыбыстық сигналы берілгенше, Freezer + Fridge 9–11 секунд ұстаңыз. 2. Қысқа уақыт өткеннен кейін құрылғыңыздың салқындағанын тексеріңіз.
Жарықдиодты шам жұмыс істемей тұр.	Себептері түрлі болуы мүмкін. ▶ Қызмет көрсету орталығына хабарласыңыз. Нөмірді қызмет көрсету тізімінде табуға болады.
Құрылғының бүйірлік панелдері жылы.	Ақау емес. Жан қабырғаларда суыту кезінде қызатын құбырлар тұр. Құрылғыға тиіп тұрған жиһаздар жылу арқылы зақымдалмайды. Өрекет жасау керегі жоқ.
Ескертпе дыбысы беріледі және  кызыл түспен жыпылықтайды. Ашық есігінің сигналы қосылған.	Құрылғы есігі ашық. ▶ Есікті жабыңыз.

Ақаулық	Ақаулардың себебі және оларды жою
<p>Ескертпе дыбысы және температура индикаторы жыпылықтайды (мұздатқыш бөлімі) және «!» қызыл түспен жыпылықтайды.</p> <p>Температура көтерілуі туралы ескертетін дыбыс қосылған.</p>	<p>Себептері түрлі болуы мүмкін.</p> <ul style="list-style-type: none"> ▶ alarm offбасыңыз. ✓ Ескерту сигналы өшірілуде. <hr/> <p>Балғын азық-түліктер үлкен көлемде салынып жатыр.</p> <ul style="list-style-type: none"> ▶ Мұздату өнімділігін асырмаңыз → "Мұздату өнімділігі", Бет75
<p>Орнатылған температураға қол жеткізілмеген.</p> <p>Толығымен автоматты түрде жібіту жұмыс істемейді.</p>	<p>Мұздатқыш камераның есігі ұзақ уақыт ашық тұрды. NoFrost жүйесіндегі буландырғыш (суық генератор) өте мұзды.</p> <p>Талап: Мұздатылған тағамдарды жақсылап орап, салқын жерде сақтау керек.</p> <ol style="list-style-type: none"> 1. Құрылғыны өшіріңіз. → Бет72 2. Құрылғыны тоқ желісінен ажыратыңыз. Құрылғыны электр желісінен ажыратыңыз немесе сақтандырғыштар блогындағы тиісті сақтандырғышты өшіріңіз. 3. Құрылғыны қабырғадан бері жылжытыңыз. 4. Құрылғының есігін ашық қалдырыңыз. ✓ Шамамен 20 минуттан кейін еріген су құрылғының артындағы қоқыс төгетін тесікке түсе бастайды. → Сур. 18 5. Науаның толып кетуіне жол бермеу үшін еріген суды шүберекпен сүртіңіз. Науаға су төгілмесе, буландырғыш еріп кетті дегенді білдіреді. 6. Құрылғының ішкі бөлімін тазалаңыз. → Бет77 7. Құралды қайта қосыңыз. → Бет71
<p>Температура таңдалған температурадан ерекшеленеді.</p>	<p>Себептері түрлі болуы мүмкін.</p> <ol style="list-style-type: none"> 1. Құрылғыны өшіріңіз. → Бет72 2. Құрылғыны шамамен 5 минуттан соң қайта қосыңыз. → Бет71 <ul style="list-style-type: none"> – Егер температура тым жоғары болса, оны екі сағаттан соң қайта тексеріңіз. – Егер температура тым төмен болса, оны келесі күні қайта тексеріңіз.

Ақаулық	Ақаулардың себебі және оларды жою
Құрылғы бетінде және құрылғы сөрелерінде конденсат пайда болады.	<p>Жылы немесе ылғал ауадағы су, құрылғының суық беттерінде конденсацияланады.</p> <ol style="list-style-type: none"> 1. Суды жұмсақ, құрғақ шүберекпен сүртіңіз. 2. Құрылғының есіктерін мүмкіндігінше тез жауып тастаңыз. 3. Құрылғы әрдайым жабылып тұрғанына назар аударыңыз.
Құрылғы гуіл, гүрілдеген дыбыстарды шығарады, сылдырлайды, сыртылдайды немесе шырылдайды.	<p>Ақау жоқ. Қозғалтқыш, мәселен, тоңазытқыш агрегаттың немесе желдеткіштің қозғалтқышы жұмыс істеп тұр. Хладагент құбырлар арқылы ағып жатыр. Қозғалтқыш, қосқыш немесе электрмагниттік клапандар қосылып немесе өшіріліп жатыр. Автоматты еріту жүреді. NoFrost жүйесі ерітіліп жатыр, су тамшылары бұға айналуда. Әрекет жасау керегі жоқ.</p>
Құрылғы әртүрлі шулар шығарып тұр.	<p>Құрылғы бірқалыпты орнатылмаған.</p> <ul style="list-style-type: none"> ▶ Құрылғыны тегіс немесе бұрандалы аяқтармен туралаңыз. <hr/> <p>Құрылғы тұрақты емес.</p> <ul style="list-style-type: none"> ▶ Құрылғыдан минималды арақашықтықты сақтау. <hr/> <p>Жабдықтау элементтері дұрыс орнатылмаған.</p> <ul style="list-style-type: none"> ▶ Шығарып алатын жабдықтау элементтердің тексеріп және оларды қайтадан орнатыңыз. <hr/> <p>Бөтелкелер немесе ыдыстар бір-біріне тиіп тұр.</p> <ul style="list-style-type: none"> ▶ Бөтелкелер немесе өзге де ыдыстарды бір-бірінен алшақтатып, арасын ашып қойыңыз. <hr/> <p>Супер мұздату функциясы қосулы.</p> <p>Әрекет жасау керегі жоқ.</p>

14.1 Электр қуаты жоқ

Электр қуаты ажыратылған кезде құрылғыдағы температура көтеріледі, бұл сақтау уақытын қысқартады және мұздатылған тағамның сапасын төмендетеді. Біздің веб-сайтымызда сіздің құрылғыңызға арналған техникалық деректер жұмыс істемей қалған жағдайда мұздатылған тағамның сақталу уақытын көрсетеді.

Жазбалар

- Электр қуаты ажыратылған кезде құрылғыны мүмкіндігінше аз ашып, басқа тағамдарды салмаңыз.
- Тағамдардың сапасын электр қуаты ажыратылғаннан кейін тез арада тексеріңіз.
 - 5 °C -тан жоғары температурада болып ерітілген мұздатылған тағамды шығарып алыңыз.
 - Аздап еріген тағамдарды пісіріңіз немесе қуырыңыз немесе қайтадан тоңазытыңыз.

14.2 Құрылғының өз-өзіне диагностика жасауы

Құрылғыңыз қызмет көрсету қызметі жөңдей алатын ақауларды көрсететін өзін-өзі диагностикалау функциясымен жабдықталған.

1. Құрылғыны өшіріңіз. → *Бет72*

2. Құрылғыны тоқ желісінен ажыратыңыз.

Желі сымын қоректендіру сымынан ажыратыңыз немесе сақтандырғыштар блогындағы сақтандырғышты өшіріңіз.

3. 5 минут кейін құрылғыны электржүйесіне қайтадан қосыңыз. → *Бет68*

4. Құрылғыны қосыңыз. → *Бет71*

5. Қосылғаннан кейін 2 минут ішінде Freezer дыбыстық сигнал естілгенше 5 секунд ұстаңыз.

✓ Құрылғының өз-өзіне диагностика жасауы басталды.

✓ Диагностика барысында ұзаққа жалғасатын дыбыстық белгі беріледі.

✓ Егер құрылғы өз-өзіне диагностика жасап болған соң 2 дыбыстық белгі естіліп, температура дисплейінде қойылған мән шығып тұрса, демек құрылғы ақаусыз жұмыс істеп тұр. Құрылғы қалыпты режимге ауысады.

✓ Өзін-өзі диагностикалаудың соңында 5 дыбыстық сигнал естісеңіз, қызмет көрсету орталығына хабарласыңыз.

15 Сақтау және кәдеге жарату

15.1 Құрылғыны пайдалануды тоқтату

1. Құрылғыны өшіріңіз. → *Бет72*

2. Құрылғыны тоқ желісінен ажыратыңыз.

Желі сымын қоректендіру сымынан ажыратыңыз немесе сақтандырғыштар блогындағы сақтандырғышты өшіріңіз.

3. Тағамдарды шығарыңыз.

4. Құрылғыны тазалау барысында. → *Бет77*

5. **НАЗАР АУДАРЫҢЫЗ!** Есік пен шкафтың арасына түскен заттар есіктің топсасын зақымдауы мүмкін.

▶ Есікті ашық күйде ұстау үшін ашыңыз.

- ▶ Есік пен шкафтың арасындағы заттарды қыспаңыз. Интерьердің желдетілуін қамтамасыз ету үшін құрылғыны ашық күйінде қалдырыңыз.

15.2 Ескі құрылғыны кәдеге жарату

Қоршаған орта үшін қауіпсіз жолмен кәдеге жарату құнды материалдарды қайта өңдеуге мүмкіндік береді.

⚠ ЕСКЕРТУ

Деңсаулыққа зиян келтіру қауіпі!

Осының арқасында сіз балалар құрылғының ішінде қалып қойған жағдайда өмірлерін сақтап қаласыңыз.

- ▶ Сөре және бөлім бөлшектерін құрылғыдан шығармаңыз, сонда балалар тоңазытқыштың ішіне шыға алмайды.
- ▶ Балалар тозған құрылғыға жақындаспасын.

⚠ ЕСКЕРТУ

Өрт шығу қатері!

Түтіктер зақымдалған болса, тұтанғыш хладагент пен зиянды газдар шығып тұтануы мүмкін.

- ▶ Хландагент жүйесінің құбырлары мен оқшаулағышқа зақым келтірмеңіз.

1. Желіге қосу кабелінің ашасын тартыңыз.
2. Еліге қосу сымын ажыратыңыз.
3. Құрылғыны қоршаған ортаны сақтайтын жолмен кәдеге жаратыңыз.

Ағымдағы кәдеге жарату жолдары туралы мәліметтерді мамандандырылған дүкеннен және қоғамдық немесе қалалық өкімшіліктен біліп алыңыз.



Бұл тоңазытқыш Электр және электроникалық құралдардың қалдықтарына (WEEE) қатысты 2012/19/EU (EO) Еуропа заңнамасына сәйкес келетін таңбасымен белгіленген. Бұл заңнама Еуропада құралдардың қалдықтарын қайтып алуын және қоршаған ортаны қорғап кәдеге жаратуын реттейді.

16 Сервистік қызмет көрсету

Сіздің еліңіздегі кепілдік мерзімі мен шарттары жөніндегі толық ақпаратты қызмет көрсету орталығынан, сауда бөлімінен немесе біздің веб-сайттан алуыңызға болады.

Қызмет көрсету орталығына хабарласқан кезде, сізге құрылғыңыздың артикул нөмірі (E нөмірі) және өндіру нөмірі (ӨК) қажет болады.

Мүшелер қызметінің хабарласу деректерін жинақтағы мүшелер қызметінің тізімінде немесе біздің веб-торабымызда табасыз.

Импорртаушы/ Сапа шағымдарын қабылдайтын ұйым: Қазақстан Республикасы, Алматы қ., Қажы Мұқан көш, 22/5, 7 қабат
e-mail: ala-infokz@bshg.com
Құрылғының қызмет ету мерзімі – 7 жыл.

Ақаулық анықталған жағдайда, Қазақстан Республикасы аумағында 5454 сервистік байланыс орталығына қоңырау шалыңыз (тек ұялы телефондар үшін).

Түркияда жасалған

16.1 Артикул нөмірі (Е нөмірі) және өндіру нөмірі (ӨК)

Артикул нөмірі (Е нөмірі) және өндіру нөмірі (ӨК) құрылғының фирмалық тақтайшасында берілген.

→ Сур. **1**/**3**

Құрылғы деректерін және мүшелер қызметінің нөмірін жылдам қайта табу үшін деректерді жазып алуға болады.

17 Техникалық деректер

Хладагент, пайдалы ыдыстар мен басқа да техникалық деректер, зауыттық тақтайшада жазылған.

→ Сур. **1**/**3**

Qo'shimcha ma'lumot uchun raqamli foydalanuvchi qo'llanmasiga murojaat qiling.



Mundarija

1 Xavfsizlik	87	6.4 Konteynerni ajratuvchi.....	97
1.1 Umumiy ko'rsatmalar.....	87	6.5 Eshik tokchasi	97
1.2 To'g'ri foydalanish	87	6.6 Muz ishlab chiqaruvchi.....	97
1.3 Foydalanuvchilar doirasini cheklash	87	6.7 Qo'shimcha jihozlar	98
1.4 Xavfsiz transport.....	87	7 Ishlatish haqidagi asosiy ma'lumot	98
1.5 Xavfsiz o'rnatish.....	88	7.1 Qurilmani ishga qo`shing	98
1.6 Xavfsiz foydalanish	89	7.2 Foydalanish bo'yicha ko'rsatmalar	98
1.7 Buzilgan qurilma.....	91	7.3 Qurilmani o'chirish	99
2 Buyumlarga zarar yetishining oldini olish	93	7.4 Haroratni sozlash	99
3 Atrof-muhitni himoya qilish va iqtisod qilish	93	7.5 Tugmalarni qulflash (bolalarga qarshi himoya)	99
3.1 Paketlarni qayta ishlash	93	8 Qo'shimcha funktsiyalar.....	99
3.2 Energiyani tejash	93	8.1 Supersovutish	99
4 O'rnatish va quvvat manbaiga ulash	94	8.2 Intensiv muzlatish	100
4.1 Yetkazib berilish to'plami	94	9 Signalizatsiya	100
4.2 O'rnatish joyini tanlash mezonlari	94	9.1 Eshik signali	100
4.3 Qurilmani o'rnatish	95	9.2 Harorat signali	100
4.4 Подготовка прибора к началу эксплуатации	95	10 Sovutish kamerasi	101
4.5 Qurilmani elektr ravishda ulash	95	10.1 Sovutgich kamerasida ovqatni saqlash bo'yicha tavsiyalar.....	101
5 Qurilma bilan tanishish.....	95	10.2 Sovutgich kamerasidagi harorat zonalari	101
5.1 Qurilma.....	95	11 Muzlatgich	101
5.2 Boshqaruv paneli	95	11.1 Muzlatish quvvati	101
6 Ta'minot.....	96	11.2 Muzlatish kamerasi bo'ylab oziq-ovqat mahsulotlarini qo'yish	102
6.1 Tokcha.....	96	11.3 Muzlatish kamerasida ovqatni saqlash bo'yicha maslahatlar.....	102
6.2 Saqlash idishi	96		
6.3 Namlikni tartibga soluvchi sabzavot va mevalar uchun quti.....	96		

uz

11.4 Yangi ovqatni muzlatish bo'yicha maslahatlar.....	102
11.5 -18 ° C da muzlatilgan ovqatning yaroqlilik muddati.....	102
11.6 Muzlatilgan oziq-ovqatlarni muzdan tushirish usullari.....	103
12 Eritish.....	103
12.1 Sovutgich kamerasini muzdan tushirish	103
12.2 Muzlatish kamerasida muzdan tushirish	103
13 Tozalash va parvarish qilish .	103
13.1 Qurilmani tozalashga tayyorlash	103
13.2 Qurilmani tozalash.....	104
13.3 Uskunalar buyumlarini olib tashlash	104
14 Nosozliklarni bartaraf qilish ..	106
14.1 Quvvat uzilishi.....	109
14.2 Asboblarni o'z-o'zini diagnostika qilish.....	109
15 Saqlash va yo'q qilish.....	109
15.1 Qurilmani ishdan chiqarish ..	109
15.2 Eski qurilmalarni qayta ishlanadigan chiqitga chiqarish.....	110
16 Mijozlarga xizmat ko'rsatish..	110
16.1 Mahsulotning tartib raqami (E-Nr.) va ishlab chiqarish raqami (FD)	110
17 Texnik ma'lumotlar	111



1 Xavfsizlik

Quyidagi texnik xavfsizlik ko'rsatmalariga rioya qiling.

1.1 Umumiy ko'rsatmalar

- Ushbu ko'rsatmani yaxshilab o'qib oling.
- Qo'llanmani va mahsulot ma'lumotlarini kelajakda foydalanish yoki keyingi egasiga topshirish uchun saqlang.
- Tashish bilan bog'liq shikastlarni ko'rib qolsangiz, qurilmani ulamang.

1.2 To'g'ri foydalanish

Qurilmani faqat quyidagicha ishlating:

- Mahsulotlarni sovutish va muzlatish, shuningdek muz kublarini tayyorlash uchun.
- xususiy hududlarda uy va yopiq xonalarda.
- dengiz sathidan 2000 m baland bo'lmagan.

1.3 Foydalanuvchilar doirasini cheklash

8 yoshgacha bo'lgan bolalar, jismoniy, aqliy va ruxiy qobiliyati cheklangan shaxslar, shuningdek, qurilmani ishlatishda etarlicha bilim va tajribaga ega bo'lmagan shaxslar uni faqat ularning xavfsizligi uchun mas'ul bo'lgan shaxslarning nazorati ostida yoki qurilmaning ishlashi bilan bog'liq barcha xavf-xatarlar to'g'risida batafsil ko'rsatma va tushuntirishlardan so'ng, qurilmadan foydalanishlari mumkin.

Bolalarning mashina bilan o'ynashiga yo'l qo'ymang.

Qurilmani bolalar tomonidan tozalash va parvarish qilish taqiqlangan.

1.4 Xavfsiz transport

OGOHLANTIRISH – Jarohat olish xavfi!

Qurilmaning og'irligi tufayli uni ko'targanda shikastlanish mumkin.

- ▶ Qurilmani o'zingiz mustaqil ko'tarmang.

1.5 Xavfsiz o'rnatish

⚠ OGOHLANTIRISH – Tok urish xavfi!

Malakasiz o'rnatish sababli, qurilma xavf manbaiga aylanish mumkin.

- ▶ Qurilmani ulash va ishlatishda firma plitasidagi ma'lumotlarga rioya qiling.
- ▶ Qurilmani o'zgaruvchan tok elektr tarmog'iga faqatgina qoidalarga muvofiq o'rnatilgan erga ulangan elektr rozetkasi orqali ulash mumkin.
- ▶ uydagi kabeldagi erga ulash tizimi qoidalarga muvofiq o'rnatilgan bo'lishi kerak.
- ▶ Qurilmani tashqi kalit bilan jihozlash taqiqlanadi, masalan, taymer yoki masofadan boshqarish.
- ▶ Qurilma o'rnatilganda tarmoq kabelining vilkasidan erkin foydalanish imkonini ta'minlash kerak, agar erkin foydalanish imkoni bo'lmasa, o'rnatish shartlariga ko'ra, maxsus ajratuvchi qurilma o'rnatilgan bo'lishi shart.
- ▶ O'rnatish paytida elektr shnuri qisilib qolmaganiga va shikastlanmaganiga amin bo'ling.

Tarmoq kabelining shikastlangan izolatsiyasi xavf manbai hisoblanadi.

- ▶ Elektr kabelining issiqlik manbalariga yaqin joylashishiga hech qachon yo'l qo'ymang.

⚠ OGOHLANTIRISH – Portlash xavfi bor!

Agar jihozning shamollatish teshiklari yopilgan bo'lsa, sovutgich oqadigan bo'lsa, yonuvchan havo / gaz aralashmasi paydo bo'lishi mumkin.

- ▶ Asbob korpusidagi yoki o'rnatilgan korpusdagi shamollatish teshiklariga to'sqinlik qilmang.

⚠ OGOHLANTIRISH – Yong'in xavfi!

Uzaytirilgan quvvat simi va sertifikatlanmagan perexodniklardan foydalanish xavfli.

- ▶ Ko'p tomonli rozetkalar va uzatma kabelidan foydalanmang.
- ▶ Faqat ishlab chiqaruvchidan sotib olingan perexodniklar va quvvat simlaridan foydalaning.

- ▶ Agar quvvat simi kalta bo'lsa va boshqa uzunroq quvvat simi bo'lmasa, uyga to'g'ri o'rnatish uchun elektr qurilmalari mutaxassisi bilan bog'laning.

Ko'chma bir nechta vilkalar yoki ko'chma quvvat punktlari qizib ketishi va yong'inga olib kelishi mumkin.

- ▶ Asbobning orqa tomoniga ko'p vilkali rozetkalarni yoki ko'chma quvvat bloklarini qo'ymang.

1.6 Xavfsiz foydalanish

⚠ OGOHLANTIRISH – Tok urish xavfi!

Kirgan namlik tok urishiga olib kelishi mumkin.

- ▶ Qurilmani faqat yopiq xonalarda ishlating.
- ▶ Qurilmani hech qachon katta issiqlik va namlikka olib kelmang.
- ▶ Qurilmani tozalash uchun yuqori bosimli tozalash vositalarini yoki bug ' tozalash vositalarini ishlatmang.

⚠ OGOHLANTIRISH – Nafas qisish xavfi!

O'yin davomida bolalar qadoqlash materiali, plyonka va qadoq parchalariga o'ranib olishlari, yoki ularni boshlariga o'rab bo'g'ilishi mumkin.

- ▶ Qadoqlash materiallarini bolalardan uzoqroq tuting.
- ▶ Bolalarga qadoqlash materiallari bilan o'ynashlariga ruxsat bermang.

Bolalar mayda qismlarni yutib yuborishi va nafas olib bo'g'ilishlari mumkin.

- ▶ Mayda detallarni bolalardan uzoqroq tuting.
- ▶ Bolalarga mayda detallar bilan o'ynashlariga ruxsat bermang.

⚠ OGOHLANTIRISH – Portlash xavfi bor!

Agar sovutish moslamasi shikastlangan bo'lsa, yonuvchan sovutgich chiqib ketishi va portlashi mumkin.

- ▶ Muzdan tushirishni tezlashtirish uchun mexanik uskunalar yoki ishlab chiqaruvchi tomonidan tavsiya etilgan vositalardan boshqa foydalanmang.
- ▶ Muzlatilgan ovqatni ajratish uchun yog'och qoshiq tutqich kabi to'mtoq narsadan foydalaning.

Yonuvchan yonilg'i quyish vositalari va aerosol qutilari kabi portlovchi moddalar portlashi mumkin.

- ▶ Qurilmaning ichida yonuvchan yoqilg'i va portlovchi moddalar bo'lgan oziq-ovqat mahsulotlarini saqlamang.

⚠ OGOHLANTIRISH – Yong'in xavfi!

Qurilmaning ichida elektr jihozlarini ishlatish (masalan, isitgichlar yoki elektr muzqaymoq ishlab chiqaruvchilari) yong'inga olib kelishi mumkin.

- ▶ Qurilmaning ichida elektr jihozlarini ishlatmang.

⚠ OGOHLANTIRISH – Jarohat olish xavfi!

Gazlangan ichimlikli shishalar yorilishi mumkin.

- ▶ Gazlangan ichimlikli idishlarni muzlatkich ichiga solmang.

Повреждение глаз в следствие утечки горючего хладагента и вредных газов.

- ▶ Sovutish va izolyatsiya quvurlariga zarar yetkazmang.

Qurilma ag'darilishi mumkin.

- ▶ Rozetka, tortma yoki eshiklar ustiga bosmang yoki ular ustida turmang.

⚠ OGOHLANTIRISH – Kuyish xavfi!

Ish paytida jihozning orqa qismlari qizib ketadi.

- ▶ Hech qachon issiq qismlarga tegmang.

⚠ OGOHLANTIRISH – Sovuq kuyish xavfi!

Muzlatilgan oziq-ovqat va sovuq yuzalar bilan aloqa sovuq kuyishga olib kelishi mumkin.

- ▶ Hech qachon muzlatilgan ovqatni muzlatgich kamerasidan olib tashlangandan so'ng darhol unga tegmang.
- ▶ Muzlatilgan oziq-ovqat, muz va muzlatish yuzalari bilan terining uzoq vaqt aloqa qilishidan saqlaning.

⚠ EHTIYOTKORLIK – Sog'likka zarar yetish xavfi!

Oziq-ovqat mahsulotlarini ifloslanishiga yo'l qo'ymaslik uchun quyidagi ko'rsatmalarga amal qiling.

- ▶ Agar eshik uzoq vaqt ochiq bo'lsa, qurilma bo'linmalaridagi harorat sezilarli darajada ko'tarilishi mumkin.

- ▶ Drenaj tizimlarining oziq-ovqat mahsulotlari va chiqadigan qismlari bilan aloqa qilishi mumkin bo'lgan yuzalarni vaqti-vaqti bilan tozalang.
 - ▶ Храните сырое мясо и рыбу в соответствующих контейнерах в холодильнике, чтобы они не касались и не капали на другие продукты.
 - ▶ Agar muzlatgich / sovutgich uzoq vaqt davomida ishlamayotgan bo'lsa, mog'or paydo bo'lishining oldini olish uchun jihozni o'chiring, muzdan tushiring, tozalang va eshikni ochiq qoldiring.
- Metaldan yasalgan yoki tashqi ko'rinishiga ko'ra metallga o'xshash asbob qismlarida alyuminiy bo'lishi mumkin. Kislota o'z ichiga olgan mahsulotlar alyuminiy elementlari bilan aloqa qilganda, alyuminiy ionlari mahsulotlarga kirib boradi.
- ▶ Bunday ovqatlarni iste'mol qilmang.

1.7 Buzilgan qurilma

⚠ OGOHLANTIRISH – Tok urish xavfi!

Zarar etkazilgan qurilma yoki shikastlangan elektr kabeli xavfli manbadir.

- ▶ Buzilgan qurilmani ishlatish qat'iy tanqislanadi.
- ▶ Qurilmani elektr ta'minotidan uzish uchun elektr simini tortmang. Quvvat vilkasini rozetkadan ajratib oling.
- ▶ Qurilma yoki elektr kabeli shikastlangan bo'lsa, darhol elektr vilkani elektr kabelidan ajratib oling yoki predoxranitelni qutisidagi predoxranitelni ochiring.
- ▶ Mijozlarga xizmat ko'rsatish markaziga murojaat qiling.
→ *Sahifa 110*

Tegishli bo'lmagan holda tuzatishlarni amalga oshirish xavfli.

- ▶ Qurilma faqat malakali mutaxassislar tomonidan ta'mirlanishi mumkin.
- ▶ Qurilmani ta'mirlash uchun faqat original zaxira qismlar ishlatilishi mumkin.
- ▶ Agar ushbu qurilma shnuri shikastlangan bo'lsa, unda xavfli vaziyatlarni bartaraf qilish uchun uni ishlab chiqaruvchi yoki uning mijozlarga xizmat ko'rsatish markazi yoki shu kabi malakaga ega bo'lgan shaxs o'zgartirishi kerak.

 **OGOHLANTIRISH – Yong'in xavfi!**



Agar quvurlar buzilgan bo'lsa, yonuvchan sovutgich va zararli gazlar sizib chiqishi va yonishi mumkin.

- ▶ Olov va o't oldirish manbalarini qurilmadan uzoq tuting.
- ▶ Xonani ventilyatsiya qiling.
- ▶ Qurilmani o'chiring. → *Sahifa99*
- ▶ Elektr vilkasini rozetkadan chiqarib oling yoki saqlagich qutisidagi saqlagichni o'chiring.
- ▶ Mijozlarga xizmat ko'rsatish markaziga murojaat qiling.
→ *Sahifa 110*

2 Buyumlarga zarar yetishining oldini olish

DIQQAT!

Qurilmaning g'ildiraklarining egilishi qurilmani siljitganda polga zarar yetkazishi mumkin.

- ▶ Qurilmani yuk mashinasi bilan tashing.
- ▶ Qurilmani siljitganda zamin himoyasidan foydalaning va zigzag shaklida harakat qilmang.

Qurilma, sokol, tortma yoki eshiklarni o'rindiq yoki platforma sifatida ishlatish qurilmaga zarar yetkazishi mumkin.

- ▶ Qurilma, sokol, tortma yoki eshiklarga qadam qo'ymang yoki ustiga suyanmang.

Yog 'va surtma plastik qismlar va eshik muhrlarini g'ovakli qilishi mumkin.

- ▶ Plastik qismlar va eshik tiqinlarini moy va yog'lanishdan saqlang.

Metaldan yasalgan yoki tashqi ko'rinishiga ko'ra metallga o'xshash asbob qismlarida alyuminiy bo'lishi mumkin. Alyuminiy kislotali mahsulotlar bilan aloqa qilishda reaksiyaga kirishadi.

- ▶ Qurilmada mahsulotni qadoqsiz saqlamang.

Uskunalar va aksessuarlarning buyumlarini idish yuvish mashinasida yuvishda ular deformatsiyalanishi yoki rangsizlanishi mumkin.

- ▶ Qurilmaning ehtiyot qismlari va aksessuarlarini idish yuvish mashinasida yuvmang.

3 Atrof-muhitni himoya qilish va iqtisod qilish

3.1 Paketlarni qayta ishlash

Qadoqlash materiallari ekologik jihatdan xavfsiz va qayta ishlatilishi mumkin.

- ▶ Ayrim qismlarni oldindan ajratib olib, utilizasiya qiling.

3.2 Energiyani tejash

Ushbu ko'rsatmalarga rioya qilsangiz, qurilma kam elektr quvvatini sarflaydi.

Joyni tanlash

- Qurilmani to'g'ridan-to'g'ri quyosh nurlaridan saqlang.
- Jihazni iloji boricha radiatorlar, pechkalar va boshqa issiqlik manbalaridan o'rnating:
 - Elektr yoki gaz plitalaridan 30 mm masofani saqlang.
 - Jihazdan yog 'yoki ko'mir pechlariga 300 mm masofani saqlang.
- Yon devorga 50 mm masofani saqlang.
- Hech qachon tashqi shamollatish teshiklarini yopmang va to'smang.

Foydalanishda energiya tejash

Yozib olish: Qurilma ichida uskunalar elementlarining joylashishi qurilmaning quvvat sarfiga ta'sir qilmaydi.

- Qurilmani faqat qisqa vaqt ichida oching va ehtiyotkorlik bilan yoping.
- Hech qachon ichki shamollatish teshiklarini yoki tashqi shamollatish teshiklarini yopmang va to'smang.
- Sotib olingan mahsulotlarni issiqlik izolyatsiyalangan sumkada olib boring va tezda qurilmaga yuklang.

uz O'rnatish va quvvat manbaiga ulash

- Saqlashdan oldin iliq ovqatlar va ichimliklar sovishini kuting.
- Muzlatilgan ovqatni muzdan tushirish uchun muzlatgich kamerasiga qo'ying.
- Har doim mahsulot va orqa devor o'rtasida bir oz bo'sh joy qoldiring.

Kutish rejimi

Asbob ishlatilmaganda, displey avtomatik ravishda kutish rejimiga o'tadi.

Kutish rejimida boshqaruv panelining yorqinligi pasayadi.

4 O'rnatish va quvvat manbaiga ulash

4.1 Yetkazib berilish to'plami

Qadoqni ochib bo'lgach, barcha qismlarni yuk tashish vaqtida shikastlanmaganligi va butligini tekshiring.

Agar biron bir shikoyatingiz bo'lsa, iltimos, sotuvchingizga yoki bizning mijozlarga xizmat ko'rsatuvchi → *Sahifa 110* bilan bog'laning.

to'plam quyidagilarni o'z ichiga oladi:

- Tik turuvchi qurilma
- Uskunalar va aksessuarlar¹
- O'rnatish materiallari
- O'rnatish bo'yicha ko'rsatmalar
- Foydalanish yo'riqnomasi
- Xizmatlar ro'yxati
- Kafolat ilovasi²
- Energiya yorlig'i
- Energiya iste'moli va shovqin haqida ma'lumot

4.2 O'rnatish joyini tanlash mezonlari

OGOHLANTIRISH **Portlash xavfi bor!**

Juda yaqin joylarda, sovutgich oqadigan bo'lsa, yonuvchan gaz / havo aralashmasi paydo bo'lishi mumkin.

- ▶ Qurilmani faqat kamida 1 m³ maydoni bo'lgan xonaga 8 g sovutgich bilan joylashtiring. Sovutgich miqdori plastinkada ko'rsatilgan. → Ras. **1** / **3**

Qurilmaning og'irligi zavod modeliga qarab 95 kg gacha bo'lishi mumkin. Qurilmaning og'irligini ko'tarish uchun u o'rnatiladigan sirt yetarlicha barqaror bo'lishi kerak.

Tavsiya qilingan xona harorati

Ruxsat etilgan xona harorati jihozning iqlim sinfiga bog'liq.

Uskunaning iqlim sinfi plita ustida ko'rsatilgan. → Ras. **1** / **3**

Harorat darajasi	Tavsiya qilingan xona harorati
SN	10 °C–32 °C
N	16 °C–32 °C
ST	16 °C–38 °C
T	16 °C–43 °C

Qurilma ruxsat etilgan xona haroratida to'liq ishlaydi.

Agar SN iqlim sinfidagi moslama pastroq xona haroratida ishlatilsa, jihozning shikastlanishini xona harorati 5 °C gacha chiqarib tashlash mumkin.

¹ qurilma jihozlanishiga bog'liq

² Barcha mamlakatlar uchun emas

Ortiqcha va pastda va yonma-yon joylashtirish

Agar siz 2 ta sovutish moslamasini bir-birining ustiga yoki bir-birining yonida o'rnatmoqchi bo'lsangiz, qurilmalar o'rtasida kamida 150 mm masofani saqlashingiz kerak. Tanlangan qurilmalar uchun minimal bo'shliqsiz o'rnatish mumkin. Bu haqida ixtisoslashgan dilingizdan yoki xizmat rejalashtiruvchisidan so'rang.

4.3 Qurilmani o'rnatish

- ▶ Установите прибор в соответствии с прилагаемой инструкцией по монтажу.

4.4 Подготовка прибора к началу эксплуатации

1. Выньте информационные материалы.
2. Снимите защитную плёнку и транспортировочные крепления, такие как клейкая лента и картон.
3. Birinchi ishlatishdan oldin qurilmani tozalang. → *Sahifa104*

4.5 Qurilmani elektr ravishda ulash

1. Tarmoq kabeli vilkasini qurilma oldidagi rozetkaga kiriting. Qurilma ulanishi parametrlari maxsus plitada ko'rsatilgan..→ *Ras. 1 / 3*
2. Elektr shnuri vilkasining kuchlanishini tekshiring.
- ✓ Qurilma ishlatishga tayyor.

5 Qurilma bilan tanishish

5.1 Qurilma

Qurilmangizning tafsilotlari haqida qisqacha ma'lumot.

→ *Ras. 1*

A	Muzlatgich → <i>Sahifa101</i>
B	Sovutish kamerasi → <i>Sahifa101</i>
1	Yoritish moslamasi
2	Muz ishlab chiqaruvchi → <i>Sahifa97</i>
3	Plitalar turi → <i>Sahifa111</i>
4	Haroratni nazorat qilish moslamasi (saqlash idishi) → <i>Sahifa99</i>
5	Saqlash idishi → <i>Sahifa96</i>
6	Namlikni tartibga soluvchi sabzavot va mevalar uchun quti → <i>Sahifa96</i>
7	Boshqaruv paneli → <i>Sahifa95</i>
8	Ichki ventilyatsiya (Sovutish tizimi)
9	Katta butilkalar uchun eshik javoni → <i>Sahifa97</i>
10	Vintli oyoq

Yozib olish: Qurilmangizning jihozlari va o'lchamlari ko'rsatilganidan farq qilishi mumkin.

5.2 Boshqaruv paneli

Boshqaruv paneli orqali siz qurilmaning barcha funksiyalarini o'rnatasiz va ish tartibi haqida ma'lumot olasiz.

→ *Ras. 2*

- 1 Freezer muzlatish kamerasining haroratini belgilaydi.
- 2 Fridge muzlatgich kamerasining haroratini belgilaydi.
- 3 super (Muzlatgich) yoqilgan bo'lsa, Intensiv muzlatish yonadi.
- 4 Muzlatish kamerasining belgilangan haroratini ° C da aks ettiradi.
- 5 lock 3s boshqaruv paneli tugmachasini qulflashni yoqadi yoki o'chiradi.
- 6  tugmachasini yoqish paytida yonadi.
- 7 Sovutgich kamerasining belgilangan haroratini ° C da aks ettiradi.
- 8 super (Sovutish kamerasi) yoqilgan bo'lsa, Supersovutish yonadi.
- 9 Signal yoqilgan bo'lsa,  yonadi.
- 10 alarm off ogohlantirish signalini o'chiradi.

6 Ta'minot

Qurilmangizning tarkibi modelga bog'liq.

6.1 Tokcha

Agar siz javonni qayta joylashtirmoqchi bo'lsangiz, uni olib chiqib, boshqa joyga o'rnatang. → "Tokchalarni olib tashlash", *Sahifa 104*

6.2 Saqlash idishi

Saqlash idishi sovutgich kamerasidan pastroq harorat hosil qiladi. Harorat vaqtincha 0 ° C dan pastga tushishi mumkin.

Saqlash idishidagi haroratni 0 ° C da ushlab turish uchun muzlatgich kamerasidagi haroratni 2 ° C ga qo'ying. → *Sahifa 99*

Baliq, go'sht va kolbasa kabi tez buziladigan ovqatlarni saqlash uchun saqlash idishini pastroq haroratga qo'ying.

6.3 Namlikni tartibga soluvchi sabzavot va mevalar uchun quti

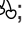


Paketlanmagan yangi meva va sabzavotlarni meva va sabzavotli idishda saqlang.

Kesilgan meva va sabzavotlarni yoping yoki havo o'tkazmaydigan idishda saqlang.

Namlik regulyatori sabzavot idishidagi havo namligini tartibga solish uchun ishlatilishi mumkin. Bu meva va sabzavotlarni an'anaviy saqlashdan ikki baravar ko'proq yangi saqlaydi.

→ Ras. **3**

Yuklangan mahsulotlarning turiga va miqdoriga qarab meva va sabzavot bo'linmasidagi namlik regulyatori yordamida havo namligini sozlash:

- asosan meva, aralash yoki katta yukni saqlashda past namlik ;
- asosan sabzavot va mayda yuklarni saqlashda yuqori namlik  .

Saqlanadigan oziq-ovqat miqdori va turiga qarab meva-sabzavotli idishda kondensat paydo bo'lishi mumkin. Kondensatni quruq mato bilan artib oling va namlik nazorati yordamida havo namligini past darajaga o'rning.

Sifat va lazzatni saqlab qolish uchun sovuqqa sezgir bo'lgan ananas, banan, sitrus mevalar, bodring, qovoq, qalampir, pomidor va kartoshka kabi sabzavot va sabzavotlarni muzlatgich tashqarisida taxminan 8 ° C dan 12 ° C gacha bo'lgan haroratda saqlang.

6.4 Konteynerni ajratuvchi

Sabzavotlar va mevalar qutisini segmentatsiyasini o'zgartirish uchun siz ajratuvchini olib tashlashingiz yoki

uning o'rnini o'zgartirishingiz mumkin.
→ "Qutidagi ajratgichni olib tashlash",
Sahifa 104

6.5 Eshik tokchasi

Agar siz eshik javonlarini qayta o'rnatmoqchi bo'lsangiz, ularni olib chiqib, boshqa joyga o'rning.
→ "Eshik javonlarini olib tashlash",
Sahifa 104

6.6 Muz ishlab chiqaruvchi

Ichimlik suvidan muz kupligini yasash uchun muz ishlab chiqaruvchidan foydalaning.

Muz kublarini tayyorlash

Muz kublarini tayyorlash uchun faqat ichimlik suvidan foydalaning.

1. ①②muz kublarini olib tashlang, uni $\frac{3}{4}$ ichimlik suvi bilan to'ldiring va joyga ③ni joylashtiring.
→ Ras. **4**

Yozib olish: Ko'p miqdorda suv muz ishlab chiqaruvchiga xalaqit berishi mumkin. Muz kublari muz kubigidan ajralmaydi. Agar muz idishiga juda ko'p suv tushsa, u yerdagi muzlar muzlaydi.

2. Muz kublari tayyor bo'lgach, muz kupligini idishini ushlagichini o'ng tomonga bir necha marta burang va qo'yib yuboring.
→ Ras. **5**
- ✓ Kublar qolipdan bo'shashib qoladi va muzli idishga tushadi.
3. Idishni tortib oling va undan muz kublarini olib tashlang.
→ Ras. **6**

6.7 Qo'shimcha jihozlar

Asl aksessuarlardan foydalaning. Ular sizning qurilmangiz uchun maxsus mo'ljallangan.

Sizning asbobingiz aksessuari modelga ko'ra farq qiladi.

Tuxum joylagichi

Tuxumingizni xavfsiz saqlash uchun tuxum joylagichidan foydalaning.

Shisha idishni tutib turuvchi moslama

Держатель для бутылок предотвращает опрокидывание бутылок при открывании и закрывании дверцы.

→ Ras. 7

O'zgaruvchan shisha tokcha

Shisha idishlarni sozlanuvchan shisha tokchada xavfsiz saqlang.

→ Ras. 8

Muz kubikli idish

Muz kublarini tayyorlash uchun muzli idishdan foydalaning.

Muz kublarini tayyorlash

Muz kublarini tayyorlash uchun faqat ichimlik suvidan foydalaning.

1. Muz kupligini idishni $\frac{3}{4}$ qismiga ichimlik suvi bilan to'ldiring va muzlatish kamerasiga qo'ying.
Muzlatilgan muz patnisini yog'och qoshiq tutqichi kabi to'mtoq narsa bilan bo'shating.
2. Muz kublarini olib tashlash uchun muzli idishni suv ostida qisqa ushlab turing yoki ozgina egib oling.

7 Ishlatish haqidagi asosiy ma'lumot

7.1 Qurilmani ishga qo'shing

1. Qurilmani elektr tarmog'iga ulang.
→ Sahifa95

Yozib olish: Agar qurilma oldin boshqaruv paneli yordamida o'chirilgan bo'lsa, alarm off tugmachasini bosib, 15 soniya ushlab turing.

- ✓ Qurilma sovuq ishlab chiqarishni boshlaydi.
 - ✓ Budilnik chalinadi, harorat ko'rsatkichi (muzlatish kamerasi) yonadi va \llcorner qizil rangda yonadi, chunki muzlatish kamerasi hali ham iliq.
2. alarm off tugmasi bilan ogohlantirish signalini o'chiring.
 - ✓ \llcorner belgilangan haroratga yetishi bilan o'chadi.
 3. Istalgan haroratni o'rnating.
→ Sahifa99

7.2 Foydalanish bo'yicha ko'rsatmalar

- Qurilma yoqilganda, belgilangan harorat bir necha soatdan keyin erishiladi.
Belgilangan haroratga yetguncha ovqatni yuklamang.
- Korpusning old va yon devorlari vaqtincha isitiladi. Bu kondensat hosil bo'lishining oldini oladi.
- Eshik yopilganda vakuum paydo bo'lishi mumkin. Eshikni ochish qiyinroq bo'ladi. Salbiy bosimni tenglashtirishni kuting.
- Qurilmadagi harorat quyidagi shartlar tufayli o'zgarashi mumkin:
 - Asbobni ochish chastotasi
 - Yuklab olish miqdori

- Yangi joylashtirilgan oziq-ovqat harorati
- Atrof-muhit harorati
- To'g'ridan-to'g'ri quyosh nuri

7.3 Qurilmani o'chirish

- ▶ alarm off tugmachasini bosib va 15 soniya ushlab turing.

7.4 Haroratni sozlash

Sovutgich kamerasidagi haroratni sozlash

- ▶ Harorat displeyida kerakli harorat sozlamalari paydo bo'lguncha Fridge tugmasini bosib.

Belgilangan haroratga erishish uchun saqlash idishining harorat regulyatorini pastki qismdan $\frac{1}{3}$ holatiga o'tkazing. → *Sahifa 99*
Sovutgich kamerasida tavsiya etilgan harorat 4°C ni tashkil qiladi.

Saqlash idishidagi haroratni sozlash

1. Haroratni pasaytirish uchun haroratni boshqarish moslamasini **extra cold** ga o'tkazing.
2. Haroratni oshirish uchun haroratni boshqarish moslamasini **cold** ga o'tkazing.

→ Ras. **9**


Muzlatish kamerasidagi haroratni sozlash

- ▶ Harorat displeyida kerakli harorat sozlamalari paydo bo'lguncha Freezer tugmasini bosib.
Muzlatish kamerasida tavsiya etilgan harorat -18°C .


7.5 Tugmalarni qulflash (bolalarga qarshi himoya)

Klaviatura qulfi asbobni rejasiz yoki noto'g'ri ishlatilishini oldini oladi.

Klaviatura qulfini yoqish

- ▶ lock 3s tugmachasini bosib va 3 soniya ushlab turing.
- ✓  yonib turibdi.

Klaviatura qulfini o'chirish

- ▶ lock 3s tugmachasini bosib va 3 soniya ushlab turing.
- ✓  yonib turadi.

8 Qo'shimcha funktsiyalar

Qurilmangiz qanday qo'shimcha funktsiyalarni qo'llab-quvvatlashini bilib oling.

8.1 Supersovutish

Supersovutishyoqilganda, muzlatgich kamerasi ichidagi sovutish imkon qadar kuchayadi.

Ko'p miqdorda oziq-ovqat mahsulotlarini saqlashdan oldin Supersovutish ni qo'shing.

Yozib olish: Supersovutishni yoqish ish shovqinini oshirishi mumkin.

Supersovutish ni yoqish

- ▶ Fridgeyonmaguncha super (Sovutish kamerasi) tugmachasini bosib.

Yozib olish: Taxminan 6 soatdan so'ng, qurilma normal ishlashga o'tadi.

Supersovutish ni o'chirish

- ▶ Harorat ko'rsatkichida (muzlatgich kamerasi) kerakli qiymat paydo bo'lguncha Fridge tugmachasini bosib.

8.2 Intensiv muzlatish

Intensiv muzlatish yoqilganda, sovutish kamerasi ichidagi sovutish imkon qadar kuchayadi.

2 kg dan ortiq ovqatni saqlashdan oldin Intensiv muzlatish ni 4-6 soat davomida yoqing.

Muzlatish imkoniyatlaridan foydalanish uchun Intensiv muzlatishni qo'shing.

→ "Muzlatish ishlashi uchun shartlar", Sahifa 101

Yozib olish: Intensiv muzlatishni yoqish ish shovqinini oshirishi mumkin.

Intensiv muzlatish ni yoqish

- ▶ Freezer yonmaguncha super (Muzlatgich) tugmachasini bosing.

Yozib olish: Taxminan 54 soatdan so'ng, qurilma normal ishlashga o'tadi.

Intensiv muzlatish o'chirish

- ▶ Harorat ko'rsatkichida (muzlatish kamerasi) kerakli qiymat paydo bo'lguncha Freezer tugmachasini bosing.

9 Signalizatsiya

9.1 Eshik signali

Agar jihoz eshigi uzoq vaqt ochiq qolsa, eshik ochiq bo'lganda ogohlantirish signali paydo bo'ladi. Ogohlantiruvchi ohang eshilib, ⁴⁾ qizil rangda yonib-o'chib turadi.

Eshik ochiq bo'lganda ogohlantirish signalini o'chirish

- ▶ Qurilmaning eshigini yoping yoki alarm off tugmachasini bosing.
- ✓ Ogohlantirish signali o'chirilgan.

9.2 Harorat signali

Agar muzlatish kamerasi juda iliq bo'lsa, harorat ko'tarilishi haqida ogohlantirish faollashadi.

Budilnik chalinadi, harorat ko'rsatkichi (muzlatish kamerasi) yonadi va ⁴⁾ qizil rangda yonadi.

EHTIYOTKORLIK

Sog'likka zarar yetish xavfi!

Eritish jarayonida bakteriyalar ko'payishi va muzlatilgan ovqat yomonlashishi mumkin.

- ▶ Avval muzlatilgan yoki eritilgan ovqatni qayta muzlatmang.
- ▶ Ovqatni faqat qaynatilgandan yoki qovurilganidan keyin muzlatib qo'ying.
- ▶ Maksimal saqlash muddatining oxirigacha saqlamang.

Harorat ko'tarilishi to'g'risida ogohlantirish quyidagi hollarda faollashtirilishi mumkin:

- qurilma ishga tushirildi;
- Belgilangan haroratga yetguncha ovqatni saqlamang.
- Ko'p miqdorda yangi oziq-ovqat yuklandi.
Iltimos, katta miqdordagi mahsulotni yuklamasdan oldin, Intensiv muzlatish ni yoqing.
- Muzlatgich eshigi juda uzoq vaqt ochiq edi.
Muzlatilgan oziq-ovqat eritilganligini tekshiring.

Harorat ko'tarilishi to'g'risida ogohlantirishni o'chirib qo'yish

- ▶ Bosilgan alarm off.
- ✓ Ogohlantirish signali o'chirilgan.

10 Sovutish kamerasi

Sovutgich kamerasida go'sht, kolbasa, baliq, sut mahsulotlari, tuxum, tayyor ovqat va pishiriq mahsulotlarini saqlashingiz mumkin. Harorat 2 °C dan 8 °C gacha sozlanishi mumkin.

Sovuq saqlash tufayli siz tez buziladigan oziq-ovqat mahsulotlarini qisqa va o'rta muddatgacha saqlashingiz mumkin. Tanlangan harorat qancha past bo'lsa, shuncha vaqt ovqat yangi bo'lib qoladi.

10.1 Sovutgich kamerasida ovqatni saqlash bo'yicha tavsiyalar

- Faqat yangi va buzilmagan ovqatni yuklang.
- Mahsulotlar muhrlangan yoki yopiq qopqoq ostida saqlanishi kerak.
- Havoning aylanishini va oziq-ovqat muzlashini oldini olish uchun ovqatni ichki shamollatish teshiklari oldiga yoki orqa devorga yaqin qo'ymang.
- Avval issiq ovqat va ichimliklarni soviting.
- Ishlab chiqaruvchi tomonidan belgilangan sana yoki foydalanish sanasidan oldingi eng yaxshi narsalarga e'tibor bering.

10.2 Sovutgich kamerasidagi harorat zonalari

Sovutgich kamerasidagi havo aylanishi har xil sovuq zonalarni hosil qiladi.

Eng sovuq zona

Eng zo'r zona yon tomonidagi o'q bilan ostidagi tokchaning o'rtasida joylashgan.

Maslahat: Baliq, suv, go'sht kabi tez harakatlanadigan ovqatlarni eng sovuq joyda saqlang.

Eng issiq zona

Eng iliq zona eshikning eng yuqori qismida joylashgan.

Maslahat: Qattiq pishloq va sariyog' kabi eng issiq joyda uzoq saqlash muddati bo'lgan ovqatlarni saqlang. Shunda pishloq hidini tarqatishi va sariyog' yumshoq turishi mumkin.

11 Muzlatgich

Muzlatish kamerasida siz muzlatilgan ovqatni saqlashingiz, ovqatni muzlatishingiz va muz bo'laklarini tayyorlashingiz mumkin.

Harorat -16 °C dan -24 °C gacha sozlanishi mumkin.

Oziq-ovqat mahsulotlarini uzoq muddatli saqlash uchun -18 °C yoki undan past harorat tavsiya etiladi. Oziq-ovqat mahsulotlarini muzlatilgan holda saqlash tez buziladigan ovqatlarni uzoq vaqt saqlashga imkon beradi. Past harorat oziq-ovqat mahsulotlarining pasayishini pasaytiradi yoki oldini oladi.

11.1 Muzlatish quvvati

Muzlash ko'rsatkichi qancha miqdordagi ovqatni qancha vaqt muzlatish mumkinligini ko'rsatadi. Muzlash ko'rsatkichlari ma'lumotlarini plastinkada topish mumkin. → Ras. **1** / **3**

Muzlatish ishlashi uchun shartlar

1. Yangi oziq-ovqat mahsulotlarini yuklashdan taxminan 24 soat oldin, Intensiv muzlatish tugmachasini bosing.
→ "Intensiv muzlatish ni yoqish", Sahifa 100

2. Dastlab, ovqatni muzlatish kamerasing old javoniga qo'ying.
3. Agar muzlatish kamerasing old qismida bo'sh joy bo'lmasa, qolgan ovqatni muzlatish kamerasing pastki qismining old qismiga qo'ying.

11.2 Muzlatish kamerasi bo'ylab oziq-ovqat mahsulotlarini qo'yish

Muzlatilgan ovqatning maksimal miqdorini muzlatish kamerasiga qanday joylashtirishni bilib oling.

1. Barcha armaturalarni muzlatish kamerasidan oling. → *Sahifa 104*
2. Ovqatni to'g'ridan-to'g'ri muzlatgichning pastki qismiga qo'ying.

11.3 Muzlatish kamerasida ovqatni saqlash bo'yicha maslahatlar

- Oziq-ovqatlarni havo o'tkazmaydigan idishlarda saqlang.
- Muzlatilishi kerak bo'lgan oziq-ovqat ilgari muzlatilgan oziq-ovqat bilan aloqa qilmasligi kerak.
- Kamerada ovqatni kengroq joyga yoying.

11.4 Yangi ovqatni muzlatish bo'yicha maslahatlar

- Faqat mukammal holatda bo'lgan yangi ovqatni muzlatib qo'ying.
- Oziq-ovqatlarni qismlarga bo'lib muzlatib qo'ying.
- Buning uchun xom ovqatdan ko'ra tayyor ovqatlar yaxshiroqdir.
- Muzlatishdan oldin sabzavotlarni yuvish, maydalash va oqartirish kerak.

- Meva muzlatishdan oldin ularni yuvish, chuqurga quyish va kerak bo'lsa, qobig'ini tozalash kerak, agar kerak bo'lsa, shakar yoki askorbin kislotasi eritmasini qo'shib qo'yish kerak.
- Muzlatish uchun mos ovqatlar - bu pishirilgan mahsulotlar, baliq va dengiz mahsulotlari, go'sht, ov, parranda go'shti, qobiqsiz tuxum, pishloq, sariyog', tvorog, tayyor ovqat va oziq-ovqat qoldiqlari.
- Muzlatish uchun yaroqsiz oziq-ovqatlar: turp, qobiqdagi tuxum, uzum, olma va nok, qatiq, smetana, fraix kremi va mayonez.

Muzlatiladigan mahsulotlar qadog'i

Kerakli qadoqlash materiali va kerakli turdagi qadoqlash mahsulot sifatini katta darajada saqlaydi va uning muzlashiga yo'l qo'ymaydi.

1. Oziq-ovqat mahsulotini qadoqqa soling.
2. Barcha havoni siqib chiqaring.
3. Ovqat ta'mini yo'qotmasligi va qurib ketmasligi uchun paketni mahkam yoping.
4. Paketda tarkibini va muzlash sanasini ko'rsating.

11.5 -18 ° C da muzlatilgan ovqatning yaroqlilik muddati

Mahsulotlar	Saqlash muddati
Baliq, kolbasa, tayyor ovqat, non mahsulotlari	6 oygacha
Parrandachilik, go'sht	8 oygacha
Sabzavotlar, mevalar	12 oygacha

Muzlatilgan oziq-ovqat mahsulotlarini saqlash muddati taqvimida -18°C doimiy haroratda bir necha oy ichida maksimal saqlash muddatini ko'rsatadi.

11.6 Muzlatilgan oziq-ovqatlarni muzdan tushirish usullari

EHTIYOTKORLIK

Sog'likka zarar yetish xavfi!

Eritish jarayonida bakteriyalar ko'payishi va muzlatilgan ovqat yomonlashishi mumkin.

- ▶ Avval muzlatilgan yoki eritilgan ovqatni qayta muzlatmang.
- ▶ Ovqatni faqat qaynatilgandan yoki qovurilganidan keyin muzlatib qo'ying.
- ▶ Maximal saqlash muddatining oxirigacha saqlamang.
- Baliq, go'sht, pishloq va tvorog kabi hayvonot mahsulotlarini sovutish kamerasida muzdan tushiring.
- Nonni xona haroratida muzdan tushiring.
- Mikroto'lqinli pechda, idishda yoki pishirish panelida zudlik bilan ishlatish uchun ovqat tayyorlang.

12 Eritish

12.1 Sovutgich kamerasini muzdan tushirish

Sovutgich kamerasi avtomatik ravishda muzdan tushadi.

12.2 Muzlatish kamerasida muzdan tushirish

To'liq avtomatik NoFrost tizimi tufayli muzlatish kamerasi ichida muz hosil bo'lmaydi. Muzdan tushirish shart emas.

13 Tozalash va parvarish qilish

Qurilmaning uzoq muddatli ishlashi uchun uni tozalash va parvarish qilish shart.

Kirish mumkin bo'lmagan joylarni tozalash mijozlarni qo'llab-quvvatlash xizmati tomonidan amalga oshirilishi kerak. Mijozlarni qo'llab-quvvatlash xizmati orqali tozalash moliyaviy jihatdan qimmatga tushishi mumkin.

13.1 Qurilmani tozalashga tayyorlash

1. Qurilmani o'chiring. → *Sahifa 99*
2. Qurilmani elektr tarmog'idan uzing.
Elektr vilkasini rozetkadan chiqarib oling yoki saqlagich qutisidagi saqlagichni o'chiring.
3. Ovqatni chiqarib, salqin joyga qo'ying.
Agar mavjud bo'lsa, sovuq akkumulyatorlarni ovqatga qo'ying.
4. Qurilmadan barcha jihozlar va aksessuarlarni olib tashlang.
→ *Sahifa 104*

13.2 Qurilmani tozalash

⚠ OGOHLANTIRISH

Tok urish xavfi!

Kirgan namlik tok urishiga olib kelishi mumkin.

- ▶ Qurilmani tozalash uchun yuqori bosimli tozalash vositalarini yoki bug ' tozalash vositalarini ishlatmang.

Yoritish tizimiga, boshqaruv elementlariga yoki ichki shamollatish teshiklariga kiradigan suyuqlik xavfli bo'lishi mumkin.

- ▶ Suvni yoritish tizimiga, boshqaruv elementlariga yoki ichki shamollatish teshiklariga kirishiga yo'l qo'ymang.

DIQQAT!

Mos kelmaydigan tozalovchi vositalar asbobning yuzasiga zarar etkazishi mumkin.

- ▶ Qattiq mochalka yoki gubkalardan foydalanmang.
- ▶ Agresiv yoki abraziv tozalash vositalarini ishlatmang.
- ▶ Tarkibida katta miqdorda spirt mavjud bo'lgan tozalash vositalaridan foydalanmang.

Uskunalar va aksessuarlarning buyumlarini idish yuvish mashinasida yuvishda ular deformatsiyalanishi yoki rangsizlanishi mumkin.

- ▶ Qurilmaning ehtiyot qismlari va aksessuarlarini idish yuvish mashinasida yuvmang.

1. Qurilmani tozalash uchun tayyorlang. → *Sahifa 103*
2. Qurilmani, armatura, aksessuarlar va eshik qismlarini mato va iliq suv va ozgina pH neytral idish yuvadigan suyuqlik bilan tozalang.
3. Quruq yumshoq mato bilan artib oling.
4. Установите элементы оснащения.

5. Qurilmani elektr tarmog'iga ulang.
→ *Sahifa 95*
6. Mahsulotlarni yuklab oling.

13.3 Uskunalar buyumlarini olib tashlash

Agar siz aksessuarlarni yaxshilab tozalashni xohlasangiz, ularni qurilmadan olib tashlang.

Tokchalarni olib tashlash

- ▶ Tokchalarni torting, ko'taring va olib tashlang.
→ *Ras. 10*

Eshik javonlarini olib tashlash

- ▶ Eshik tokchasini ko'taring va yechib oling.
→ *Ras. 11*

Qutidagi ajratgichni olib tashlash

- ▶ Qutichni ajratib oling va olib tashlang.
→ *Ras. 12*

Saqlash idishini olib tashlash

1. To'xtaguncha saqlash idishini tortib oling.
2. ① saqlash qutisini ko'taring va ② ni olib tashlang.
→ *Ras. 13*

Meva va sabzavot qutisini olib tashlash

1. To'xtaguncha sabzavot va mevalar uchun idishni torting.
2. Sabzavot va mevali idishni ko'taring, ① va ②ni torting.
→ *Ras. 14*

Muz ishlab chiqaruvchini olib tashlash

1. ① muz kupligini va ② muz idishni olib tashlang va bo'shating.
→ Ras. **15**
2. Muz kupligini ishlab chiqaruvchini ushlagichidan olib tashlash va ① ni olib tashlash uchun "Push" ② tugmachasini bosing.
→ Ras. **16**
3. Tutqichni orqa tomondan ko'taring va ① muzlatgich tokchasining orqasiga tushiring. ② ni tortib ushlagichini yechib oling.
→ Ras. **17**

14 Nosozliklarni bartaraf qilish


Qurilmangizdagi kichik nosozliklarni o'zingiz bartaraf qiling. Mijozlarga xizmat ko'rsatish tashkiloti bilan aloqada bo'lishdan oldin muammolarni bartaraf etish ma'lumotidan foydalaning. Bunda ortiqcha xarajatlarning oldini olgan bo'lasiz.

OGOHLANTIRISH

Tok urish xavfi!

Tegishli bo'lmagan holda tuzatishlarni amalga oshirish xavfli.

- ▶ Qurilma faqat malakali mutaxassislar tomonidan ta'mirlanishi mumkin.
- ▶ Qurilmani ta'mirlash uchun faqat original zaxira qismlar ishlatilishi mumkin.
- ▶ Agar ushbu qurilma shnuri shikastlangan bo'lsa, unda xavfli vaziyatlarni bartaraf qilish uchun uni ishlab chiqaruvchi yoki uning mijozlarga xizmat ko'rsatish markazi yoki shu kabi malakaga ega bo'lgan shaxs o'zgartirishi kerak.

Nosozlik	Nosozliklar sabablari va bartaraf etish
Прибор не охлаждает, индикаторы и подсветка горят.	Ko'rgazma rejimi amalda. <ol style="list-style-type: none"> 1. Ovozli signal eshitinguncha Freezer + Fridge ni 9-11 soniya ushlab turing. 2. Qisqa vaqt o'tgach, sizning jihazingiz sovib ketayotganini tekshiring.
LED yoritgichi ishlamayapti.	Turli sabablar bo'lishi mumkin. <ul style="list-style-type: none"> ▶ Mijozlarga xizmat ko'rsatish markaziga qo'ng'iroq qiling. <p>Xizmat raqamini ilova qilingan xizmatlar ro'yxatida topish mumkin.</p>
Qurilmaning yon devori qizib ketadi.	Xatolik Quvurlar yon devorlarda ishlaydi va sovutish jarayonida qiziydi. Jihaz tekkanida mebel issiqdan shikastlanmaydi. Hech qanday amal bajarish kerak emas.
Ogohlantiruvchi ohang eshitilib,  qizil rangda yonib-o'chib turadi.	Qurilmaning eshigi ochiq. <ul style="list-style-type: none"> ▶ Qurilma eshigini yoping.
Eshik ochiq bo'lganda ogohlantirish signali yoniq.	

Nosozlik	Nosozliklar sabablari va bartaraf etish
<p>Budilnik chalinadi, harorat ko'rsatkichi (muzlatish kamerasi) yonadi va ❹) qizil rangda yonadi.</p> <p>Haroratni ko'tarish to'g'risida ogohlantirish yoniq.</p>	<p>Turli sabablar bo'lishi mumkin.</p> <ul style="list-style-type: none"> ▶ alarm off-ni bosing. ✓ Signalizatsiya o'chadi. <hr/> <p>Ko'p miqdorda yangi oziq-ovqat yuklandi.</p> <ul style="list-style-type: none"> ▶ Muzlash qobiliyatidan oshmang. → "Muzlatish quvvati", <i>Sahifa101</i>
<p>Belgilangan haroratga erishilmadi.</p> <p>To'liq avtomatik muzdan tushirish endi ishlamaydi.</p>	<p>Muzlatgich eshigi anchadan beri ochiq edi. NoFrost tizimidagi bug'lanish moslamasi (sovuq generator) juda muzli.</p> <p>Talab: Muzlatilgan ovqat yaxshilab qadoqlanib, salqin joyda saqlanishi kerak.</p> <ol style="list-style-type: none"> 1. Qurilmani o'chirish. → <i>Sahifa99</i> 2. Qurilmani elektr tarmog'idan uzing. Jihozni elektr tarmog'idan uzing yoki saqlagich qutisidagi mos keladigan saqlagichni o'chiring. 3. Qurilmani devordan uzoqlashtiring. 4. Qurilmaning eshigini ochiq qoldiring. ✓ Taxminan 20 daqiqadan so'ng, eritilgan suv jihazning orqa qismidagi drenaj idishidagi drenaj teshigiga tusha boshlaydi. → <i>Ras. 18</i> 5. Karterni to'ldirishni oldini olish uchun eritilgan suvni shimgich bilan olib tashlang. Kondensatlangan suv bug'lanish tepsisiga tushmasa, moslama muzdan tushiriladi. 6. Jihazning ichki qismini tozalang. → <i>Sahifa104</i> 7. Uskunani qayta ulang. → <i>Sahifa98</i>
<p>Harorat belgilanganidan sezilarli darajada farq qiladi.</p>	<p>Turli sabablar bo'lishi mumkin.</p> <ol style="list-style-type: none"> 1. Qurilmani o'chirish. → <i>Sahifa99</i> 2. Taxminan 5 daqiqadan so'ng jihazni yoqing. → <i>Sahifa98</i> <ul style="list-style-type: none"> – Agar harorat juda yuqori bo'lsa, uni ikki soatdan keyin tekshiring. – Agar harorat juda past bo'lsa, uni ertasi kuni tekshiring.

Nosozlik	Nosozliklar sabablari va bartaraf etish
Qurilmaning yuzasida va javonlarida kondensat hosil bo'ladi.	Issiq va nam havodagi suv jihozning sovuqroq yuzalarida quyۇqlashadi. 1. Suvni yumshoq quruq mato bilan artib oling. 2. Qurilmani iloji boricha qisqa vaqt ichida oching. 3. Qurilmaning to'g'ri yopilganligiga ishonch hosil qiling.
Qurilma shovqin qiladi, shov-shuv chiqaradi, chayqatadi, chayqaladi, bosadi, yoriladi yoki sezadi.	Xatolik Sovutgich yoki ventilyator kabi dvigatel ishlaydi. Sovutgich quvurlar orqali oqadi. Dvigatel, kalit yoki elektromagnit klapanlari yoqilgan yoki o'chirilgan. Avtomatik muzdan tushirish jarayoni davom etmoqda. NoFrost tizimi muzdan tushirishni amalga oshiradi va suv tomchilari bug'lanadi. Hech qanday amal bajarish kerak emas.
Qurilma shovqin chiqaradi.	Qurilma noto'g'ri o'rnatilgan. ▶ Qurilmani spiral yoki vintli oyoq yordamida tekislang. Mustaqil qurilma emas. ▶ Qurilma uchun minimal masofalarga rioya qiling.
	Uskunalar yomon o'rnatilgan. ▶ Olinadigan uskunani tekshiring va ularni qayta o'rninging.
	Shishalar va idishlar bir biriga tegib turibdi. ▶ Shishalarni yoki boshqa idishlarni bir-biridan uzoqlashtiring.
	Intensiv muzlatish yoqilgan. Hech qanday amal bajarish kerak emas.

14.1 Quvvat uzilishi

Elektr uzilishlari paytida jihozda harorat ko'tarilib, saqlash vaqtini qisqartiradi va muzlatilgan ovqat sifatini pasaytiradi.

Bizning veb-saytimizda sizning qurilmangiz uchun texnik ma'lumotlar ishlamay qolganda muzlatilgan ovqatni saqlash vaqtini ko'rsatadi.

Eslatmalar

- Elektr uzilishi paytida qurilmani iloji boricha kamroq oching va boshqa ovqatlarni saqlamang.
- Elektr quvvati tiklangandan so'ng darhol oziq-ovqat sifatini tekshiring.
 - Eritilgan va 5 ° C dan yuqori bo'lgan ovqatni tashlang.
 - Bir oz eritilgan muzlatilgan ovqatni qaynatib oling yoki qovuring va uni iste'mol qiling va yana muzlatib qo'ying.

14.2 Asboblarni o'z-o'zini diagnostika qilish

Sizning qurilmangiz xizmat ko'rsatish bo'limi tomonidan bartaraf etilishi mumkin bo'lgan nosozliklarni ko'rsatadigan o'z-o'zini diagnostika qilish funktsiyasi bilan jihozlangan.

1. Qurilmani o'chiring. → *Sahifa99*
 2. Qurilmani elektr tarmog'idan uzing. Elektr vilkasini rozetkadan chiqarib oling yoki saqlagich qutisidagi saqlagichni o'chiring.
 3. 5 daqiqadan so'ng jihozni elektr tarmog'iga qayta ulang. → *Sahifa95*
 4. Qurilmani ishga soling. → *Sahifa98*
 5. Yoqilgandan keyin 2 daqiqa ichida, ovozli signal eshitinguncha, **Freezer** ni 5 soniya ushlab turing.
- ✓ Asbobni o'z-o'zini sinab ko'rish boshlandi.
 - ✓ Qurilmaning o'zini sinab ko'rish paytida uzluksiz signal eshitaladi.

- ✓ Agar qurilmani o'z-o'zini sinab ko'rishni tugatgandan so'ng, siz 2 ta signal eshitsangiz va harorat ko'rsatkichi belgilangan qiymatni ko'rsatsa, sizning qurilmangiz to'g'ri ishlamoqda. Qurilma normal rejimga o'tadi.
- ✓ Agar o'z-o'zini diagnostika qilish tugashi bilan 5 marta signal ovozi eshitilsa, xizmat ko'rsatish bo'limiga murojaat qiling.

15 Saqlash va yo'q qilish

15.1 Qurilmani ishdan chiqarish

1. Qurilmani o'chiring. → *Sahifa99*
2. Qurilmani elektr tarmog'idan uzing. Elektr vilkasini rozetkadan chiqarib oling yoki saqlagich qutisidagi saqlagichni o'chiring.
3. Mahsulotni chiqarib oling.
4. Jihozni tozalash. → *Sahifa104*
5. **DIQQAT!** Eshik va uy o'rtasida siqilgan narsalar eshik qurilmalariga zarar yetkazishi mumkin.
 - ▶ Eshikni o'z-o'zidan ochiq qolguncha oching.
 - ▶ Eshik va shkaf o'rtasida narsalarni siqmang.
 Ichki xonani ventilyatsiya qilish uchun jihozni ochiq qoldiring.

15.2 Eski qurilmalarni qayta ishlanadigan chiqitga chiqarish

Atrof-muhitga oid qoidalarga rioya qilgan holda bajarilgan utilizatsiya qimmatbaho xomashyoni qayta ishlash imkonini beradi.

OGOHLANTIRISH

Sog'likka zarar yetish xavfi!

Bolalar qurilma ichiga qulflanib qolib, xavfli holatlarga tushib qolishlari mumkin.

- ▶ Tokcha va g'aladonlarni chiqarib tashlamang! Ular bolalarni ichkariga kirishiga to'sqinlik qiladilar.
- ▶ Eskirgan qurilmani bolalar eta olmaydigan joyda saqlang.

OGOHLANTIRISH

Yong'in xavfi!

Agar quvurlar zararlangan bo'lsa, yonuvchan sovitish asbobi yonib ketishi va is gazi sizib, yong'in chiqishi mumkin.

- ▶ Sovutish va izolyatsiya quvurlariga zarar yetkazmang.

1. Elektr kabel vilkasini rozetkadan ajratib oling.
2. Tarmoq kabelini kesib oling.
3. Qurilmani atrof-muhit talablariga muvofiq bartaraf qiling.

Samarali utilizatsiya usullari haqidagi ma'lumotni ixtisoslashgan tijorat tashkilotidan, shuningdek tumaningiz yoki shahringiz hokimiyatidan olishingiz mumkin.



Ushbu qurilma Yevropa Ittifoqining Elektr texnika va elektron jihozlarni qayta ishlanadigan chiqitga chiqarish (WEEE) haqidagi 2012/19/EU

direktivasiga muvofiq ishlab chiqarilgan. Ushbu direktiva Yevropa uchun ishlatilgan elektr texnika jihozlarini qaytarish va qayta ishlash asoslarining amal qilish doirasini belgilab beradi.

16 Mijozlarga xizmat ko'rsatish

Kafolat muddati va shartlari haqida batafsil ma'lumotni mijozlarimizga xizmat ko'rsatuvchi idoradan, sotuvchilardan yoki bizning veb-saytimizdan topishingiz mumkin. Agar mijozlarga xizmat ko'rsatish markazi bilan bog'lansangiz, mahsulotning tartib raqami (E-Nr.) va ishlab chiqarish raqami (FD) kerak bo'ladi. Sizga xizmat ko'rsatuvchi markazning aloqa ma'lumotlari turli mamlakatlar yoki bizning veb-saytimizdagi mijozlarga xizmat ko'rsatish ro'yxatiga kiritilgan.

16.1 Mahsulotning tartib raqami (E-Nr.) va ishlab chiqarish raqami (FD)

Mahsulotning tartib raqami (E-Nr.) va ishlab chiqarish raqamini (FD) qurilmadagi yorliqdan topishingiz mumkin.

→ Ras. **1** / **3**

Uskunangiz ma'lumotlarini va mijozlarga xizmat ko'rsatish markazining telefon raqamini tezda topish uchun ma'lumotlarni yozma ravishda saqlashingiz mumkin.

17 Texnik ma'lumotlar

Sovutgich, foydalanishga yaroqli hajm va boshqa texnik ma'lumotlar plastinkada ko'rsatilgan.

→ Ras. **1** / **3**



لمزيد من المعلومات ، يرجى الرجوع إلى دليل المستخدم الرقمي.

فهرس المحتويات

6.5	رف الباب.....	124	1	الأمان.....	114
6.6	جهاز إعداد مكعبات الثلج.....	124	1.1	إرشادات عامة.....	114
6.7	الملحقات.....	125	1.2	الاستعمال المطابق للتعليمات.....	114
7	الاستعمال الأساسي.....	125	1.3	تقييد دائرة المستخدمين.....	114
7.1	تشغيل الجهاز.....	125	1.4	النقل الآمن.....	114
7.2	إرشادات حول التشغيل.....	125	1.5	التركيب الآمن.....	115
7.3	إيقاف الجهاز.....	126	1.6	الاستخدام الآمن.....	116
7.4	ضبط درجة الحرارة.....	126	1.7	الجهاز المتضرر.....	118
7.5	قفل الأزرار (وظيفة أمان الأطفال).....	126	2	تجنب الأضرار المادية.....	120
8	الوظائف الإضافية.....	126	3	حماية البيئة والتوفير.....	120
8.1	التبريد الفائق.....	126	3.1	التخلص من مواد التغليف.....	120
8.2	التجميد الفائق.....	127	3.2	توفير الطاقة.....	120
9	الإنذار.....	127	4	التنصيب والتوصيل.....	121
9.1	إنذار الباب.....	127	4.1	محتويات عبوة المنتج.....	121
9.2	إنذار درجة الحرارة.....	127	4.2	معايير مكان النصب.....	121
10	قسم التبريد.....	128	4.3	تركيب الجهاز.....	122
10.1	نصائح لتخزين الأطعمة في قسم التبريد.....	128	4.4	تحضير الجهاز للاستخدام لأول مرة.....	122
10.2	النطاقات الباردة في قسم التبريد.....	128	4.5	توصيل الجهاز كهربائياً.....	122
11	صندوق التجميد.....	128	5	التعرّف.....	122
11.1	قدرة التجميد.....	128	5.1	الجهاز.....	122
11.2	استغلال سعة صندوق التجميد بالكامل.....	129	5.2	نطاق الاستعمال.....	123
11.3	نصائح لتخزين الأطعمة في صندوق التجميد.....	129	6	التجهيزات.....	123
11.4	نصائح حول تجميد الأطعمة الطازجة.....	129	6.1	الرف.....	123
			6.2	حاوية التخزين.....	123
			6.3	درج الفاكهة والخضروات مع منظّم الرطوبة.....	123
			6.4	مقسم الأواني.....	124

11.5	صلاحية الأطعمة المجمدة
129	في درجة حرارة -18 °م.....
11.6	طرق إذابة التجمد عن
130	الأطعمة المجمدة.....
12	إذابة التجمد
12.1	إذابة التجمد في قسم
130	التبريد.....
12.2	إذابة التجمد في صندوق
130	التجميد.....
13	التنظيف والعناية
13.1	تحضير الجهاز للتنظيف.....
131	تنظيف الجهاز.....
13.3	إخراج أجزاء التجهيزات.....
14	التغلب على الاختلالات
14.1	انقطاع التيار الكهربائي.....
14.2	تنفيذ اختبار ذاتي للجهاز.....
15	التخزين والتخلص
15.1	إخراج الجهاز من الخدمة.....
15.2	التخلص من الجهاز القديم.....
16	خدمة العملاء
16.1	رقم المنتج (E-Nr.) ورقم
137	الصنع (FD).....
17	البيانات التقنية

1 الأمان

احرص على مراعاة إرشادات الأمان التالية.

1.1 إرشادات عامة

- اقرأ هذا الدليل بعناية.
- احتفظ بالدليل وبمعلومات المنتج لغرض الاستخدام اللاحق أو لتسليمها إلى المالك التالي.
- لا توصل الجهاز بالكهرباء في حالة وجود أضرار ناتجة عن عملية النقل.

1.2 الاستعمال المطابق للتعليمات

- لا تستخدم الجهاز إلا:
- لتبريد المواد الغذائية وتجميدها، وتحضير الثلج.
- في المنزل الخاص وفي الأماكن المغلقة من المحيط المنزلي.
- حتى ارتفاع يبلغ 2000 م فوق سطح البحر.

1.3 تقييد دائرة المستخدمين

- يمكن للأطفال بدءاً من عُمر 8 سنوات فما فوق، وكذلك للأشخاص الذين يعانون نقصاً في القدرات الجُسمانية أو الحسية أو العقلية، أو يعانون نقصاً في الإدراك أو المعرفة أو كليهما، استخدام هذا الجهاز، إذا تم ذلك تحت إشرافٍ وبعد اطلاعهم على كيفية التشغيل الآمن للجهاز، وإدراك المخاطر الناتجة.
- لا يجوز للأطفال العبث بالجهاز.
- لا يجوز للأطفال تنظيف الجهاز أو إجراء أعمال الصيانة المنوطة بالمستخدم إلا إذا تمت مراقبتهم أثناء ذلك.

1.4 النقل الآمن

- ⚠ **تحذير - خطر الإصابة!**
- قد يؤدي الوزن المرتفع للجهاز إلى إصاباتٍ عند رفعه.
- ◀ لا ترفع الجهاز بمفردك.

1.5 التركيب الآمن

⚠ تحذير - خطر الصعق الكهربائي!

- ▶ تنطوي أعمال التركيب غير السليمة فنيًا على أخطار.
- ▶ لا توصل الجهاز وتشغل إلا وفقًا للقيم الموضحة على لوحة الصنع.
- ▶ لا توصل الجهاز إلا بمقبس مرگب بطريقة سليمة ومزود بوصلة تأريض على أن تكون شبكة الكهرباء ذات تيار متردد.
- ▶ يجب أن يكون نظام أسلاك الحماية الأرضية الخاص بتركيبات المنزل الكهربائية مركبًا وفقًا للوائح المعنية.
- ▶ لا تزود الجهاز أبدًا عبر تجهيزة تشغيل خارجية، من قبيل ميقاتي أو جهاز تحكم عن بعد.
- ▶ إذا كان الجهاز مرگبًا وجب أن يكون قابس الكهرباء لكابل التوصيل بالشبكة حر الحركة، أو إذا تعدّر تسهيل الوصول إليه، يجب في حالة التثبيت الكهربائي الدائم تركيب تجهيزة فصل طبقًا لتشريعات البناء.
- ▶ عند نصب الجهاز احرص على مراعاة ألا يكون كابل الكهرباء محشورًا أو متضررًا.
- ▶ أي عزل متضرر لكابل الكهرباء سوف يشكّل خطرًا.
- ▶ لا تقم مطلقًا بوضع وصلة الشبكة في وضع تلامس مع مصادر حرارية.

⚠ تحذير - خطر الانفجار!

- ▶ إذا كانت فتحات تهوية الجهاز مغلقة، فيمكن في حالة حدوث تسرب بدورة التبريد أن ينشأ خليط غاز وهواء قابل للاشتعال.
- ▶ لا تقم بغلق فتحات التهوية في جسم الجهاز أو في صندوق التركيب.

⚠ تحذير - خطر نشوب حريق!

- ▶ هناك خطورة عند استخدام كابل كهرباء مطول ومهايئ غير معتمد.
- ▶ لا تستخدم كابل إطالة أو مقبسًا متعددًا.
- ▶ لا تستخدم إلا المهايئات وكابلات الكهرباء المصّرّح بها من الجهة المُنْتجة.
- ▶ إذا كان كابل الكهرباء أقصر من اللازم ولا يتوفّر كابل كهرباء أطول، فاتصل بشركة متخصصة في التوصيلات الكهربائية كي تُعدّل التركيبات المنزلية.

المقابس المتعددة المتنقلة أو أجزاء الشبكة يمكن أن تسخن للغاية وتسبب حريقًا.
 ◀ لا تضع المقابس المتعددة المتنقلة أو أجزاء الشبكة على الجهة الخلفية للجهاز.

1.6 الاستخدام الآمن

⚠ تحذير - خطر الصعق الكهربائي!

الرطوبة التي تتوغل في الجهاز قد تسبب صدمة كهربائية.
 ◀ لا تستخدم الجهاز إلا في أماكن مغلقة.
 ◀ لا تعرّض الجهاز أبدًا للحرارة والرطوبة الشديديتين.
 ◀ لا تستخدم أجهزة تنظيف بالضغط العالي أو أجهزة تنظيف البخار، كي تنظف الجهاز.

⚠ تحذير - خطر الاختناق!

يمكن أن يلف الأطفال مواد التغليف فوق رؤوسهم أو ينحسروا بداخلها ويختنقوا.
 ◀ أبعد مواد التغليف عن تناول الأطفال.
 ◀ لا تدع الأطفال يلعبون بمواد التغليف للجهاز.
 يمكن أن يستنشق الأطفال الأجزاء الصغيرة أو يبتلعوها ومن ثم يختنقون.
 ◀ أبعد الأجزاء الصغيرة عن تناول الأطفال.
 ◀ لا تدع الأطفال يلعبون بالأجزاء الصغيرة.

⚠ تحذير - خطر الانفجار!

عند تعرض دروة التبريد للضرر يمكن أن تتسرب مادة التبريد القابلة للاشتعال وتنفجر.
 ◀ لغرض تعجيل عملية إذابة التجمد لا تستخدم أية تجهيزات ميكانيكية أخرى أو أية وسائل أخرى غير تلك الموصى بها من قبل الجهة الصانعة.
 ◀ قم بفك الأطعمة المجمدة بأداة غير حادة، مثل مقبض ملعقة خشبية.
 المنتجات المحتوية على غازات نقّالة قابلة للاشتعال والمواد المتفجرة يمكن أن تنفجر، مثلًا علب الرش.
 ◀ تجنب تخزين المنتجات المحتوية على غازات نقّالة قابلة للاشتعال أو مواد متفجرة في الجهاز.

⚠ تحذير - خطر نشوب حريق!

أية أجهزة كهربائية يتم وضعها داخل الجهاز يمكن أن تسبب حريقًا، مثل السخانات أو أجهزة إعداد الثلج الكهربائية.
 ◀ لا تقم بتشغيل أية أجهزة كهربائية داخل الجهاز.

⚠ تحذير - خطر الإصابة!

يمكن أن تنفجر الحاويات المحتوية على مشروبات غازية.
 ◀ يحظر تخزين الحاويات المحتوية على مشروبات غازية في صندوق التجميد.

إصابة العينين من جراء تسرب مادة التبريد القابلة للاشتعال والغازات الضارة.

◀ احرص على عدم إلحاق أضرار بأنابيب دورة التبريد أو العازل. الجهاز يمكن أن ينقلب.
 ◀ لا تضغط بقدمك على القاعدة أو الأرفف أو الأبواب، ولا تستند عليها.

⚠ تحذير - خطر الإصابة بحروق!

عند تشغيل الجهاز تصبح أجزاؤه الخلفية ساخنة.
 ◀ لا تلمس أبدا الأجزاء الساخنة.

⚠ تحذير - خطر الإصابة بلسعات برد!

يمكن أن تؤدي ملامس الأطعمة المجمدة والأسطح الباردة إلى الإصابة باكتواءات بسبب البرودة.
 ◀ لا تتناول المواد المجمدة في فمك، فور إخراجها من صندوق التجميد.

◀ تجنب ملامسة الجلد لفترة طويلة للمواد المجمدة أو الثلج أو الأسطح الموجودة في صندوق التجميد.

⚠ احترس - خطر حدوث أضرار صحية!

لتجنب تلوث الأطعمة يجب مراعاة التعليمات التالية.
 ◀ في حالة فتح الباب لفترة طويلة نسبياً، يمكن أن ترتفع درجة الحرارة بشكل بالغ في أقسام الجهاز.
 ◀ قم بصفة دورية بتنظيف الأسطح التي تلامس الأطعمة وأنظمة التصريف التي يمكن الوصول إليها.
 ◀ احفظ الأسماك واللحوم النيئة في أوعية مناسبة في الثلجة بحيث لا تلامس الأطعمة الأخرى أو تتقاطر عليها.

- ◀ في حالة ترك جهاز التبريد/التجميد فارغًا لفترة طويلة نسبيًا، أو وقف الجهاز وقم بإذابة التجمد به وتنظيفه، واطرك الباب مفتوحًا، لتجنب حدوث تعفن.
- الأجزاء الموجودة في الجهاز والمصنوعة من المعدن أو تتميز بمظهر المعدن، قد تحتوي على الألومنيوم. إذا تلامست الأطعمة الحمضية مع الألومنيوم الموجود في الجهاز، فقد تنتقل أيونات الألومنيوم إلى الطعام.
- ◀ لا تتناول الأطعمة الملوثة.

1.7 الجهاز المتضرر

⚠ تحذير - خطر الصعق الكهربائي!

- أي جهاز متضرر أو كابل كهرباء تالف سوف يشكل خطرًا.
- ◀ لا تشغل أبدًا جهازًا متضررًا.
- ◀ لا تشد كابل الكهرباء المتصل بالشبكة كي تفصل الجهاز عن شبكة الكهرباء أبدًا. انزع القابس الكهربائي من كابل الكهرباء دائمًا.
- ◀ إذا كان الجهاز متضررًا أو كابل التوصيل بالشبكة تالفًا، فاسحب على الفور القابس الكهربائي لكابل التيار أو افصل المصهر الموجود في صندوق المصاهر.
- ◀ اتصل بخدمة العملاء. ← صفحة 137
- تنطوي أعمال الإصلاح غير السليمة فنيًا على أخطار.
- ◀ وحدهم أفراد الطاقم الفني المدربون من أجل ذلك يُسمح لهم بإجراء إصلاحات على الجهاز.
- ◀ لا يُسمح إلا باستخدام قطع الغيار الأصلية لإصلاح الجهاز.
- ◀ إذا كان كابل الكهرباء لهذا الجهاز متضررًا، يجب تغييره من قبل الجهة الصانعة أو مركز خدمة العملاء التابع لها أو من قبل فني مؤهل بشكل مماثل، وذلك لتجنب المخاطر.

⚠ تحذير - خطر نشوب حريق!



- في حالة حدوث ضرر بالمواسير يمكن أن تتسرب مادة التبريد القابلة للاشتعال وتتسرب منها غازات ضارة وتشتعل.
- ◀ أبعد على الفور أي نار أو مصادر لهب عن الجهاز.
- ◀ قم بتهوية المكان.
- ◀ قم بإيقاف الجهاز. ← صفحة 126

- ◀ اسحب القابس الكهربائيّ لكابل التيار أو افصل المصهر الموجود في صندوق المصاهر.
- ◀ الاتصال بخدمة العملاء. ←صفحة 137

3 حماية البيئة والتوفير

3.1 التخلص من مواد التغليف

كافة مواد التغليف خامات غير ضارة بالبيئة ويمكن إعادة استغلالها.
◀ تخلص من المكونات المفردة بشكل منفصل حسب نوعها.

3.2 توفير الطاقة

عندما تتبع هذه الإرشادات، يستهلك جهازك كمية أقل من الطاقة.

اختيار مكان النصب

- احرص على حماية الجهاز من أشعة الشمس المباشرة.
- اجعل مكان نصب الجهاز أبعد ما يمكن عن عناصر التسخين أو الموقد أو مصادر الحرارة الأخرى:
 - حافظ على وجود مسافة 30 مم نحو المواقد الكهربائية أو الغازية.
 - حافظ على مسافة 300 مم نحو المواقد العاملة بالنفط أو الفحم.
- التزم بمسافة 50 مم من جانب الجدار.
- لا تقم أبدًا بتغطية فتحات التهوية الخارجية أو غلقها.

توفير الطاقة عند الاستخدام

- **ملاحظة:** ترتيب أجزاء التجهيزات لا يؤثر على استهلاك الطاقة للجهاز.
- لا تفتح الجهاز إلا لفترة قصيرة وأغلقه بعناية.
- لا تقم أبدًا بتغطية فتحات التهوية الداخلية أو فتحات التهوية الخارجية أو غلقها.
- احرص على نقل الأطعمة التي تشتريها في حقيبة حفظ البرودة ثم وضعها سريعًا في الجهاز.

2 تجنب الأضرار المادية

تنبيه!

قد ينتج عن إمالة عجلات الجهاز إتلاف الأرضية عند نقل الجهاز.
◀ انقل الجهاز باستخدام عربة نقل.
◀ احرص على استخدام واقي للأرضية عند نقل الجهاز ولا تتحرك بطريقة متعرجة.

يمكن أن يتعرض الجهاز للضرر من جراء استخدام القاعدة أو الأرفف أو الأبواب كسطح جلوس أو سطح صعود.
◀ لا تضغط بقدمك على الجهاز أو القاعدة أو الأرفف أو الأبواب، ولا تستند عليها.

من خلال اتساقات الزيوت أو الدهون يمكن أن تصعب الأجزاء البلاستيكية وعناصر إحكام الباب مسامية.
◀ حافظ على الأجزاء البلاستيكية وعناصر إحكام الباب نظيفة من الزيوت والدهون.

الأجزاء الموجودة في الجهاز والمصنوعة من المعدن أو تتميز بمظهر المعدن، قد تحتوي على الألومنيوم. حيث يتفاعل الألومنيوم عندما يتصل بالأطعمة الحمضية.
◀ لا تقم بتخزين أي طعام في الجهاز دون تغليف.

عندما تقوم بتنظيف أجزاء التجهيزات والملحقات في غسالة الأواني، فإنها يمكن أن تتشوه أو يتغير لونها.
◀ لا تقم أبدًا بتنظيف أجزاء التجهيزات والملحقات في غسالة الأواني.

- معلومات حول استهلاك الطاقة والوضاء

4.2 معايير مكان النصب

⚠ تحذير خطر الانفجار!

إذا كان الجهاز موجودًا في مكان صغير للغاية، فيمكن في حالة حدوث تسرب بدورة التبريد أن ينشأ خليط غاز وهواء قابل للاشتعال.

◀ لا تقم بنصب الجهاز إلا في مكان متوسط مساحة لا يقل عن 1 م³ لكل 8 جم من مادة التبريد. كمية مادة التبريد مدونة على لوحة الصنع. ← الشكل 1/3

قد يصل وزن الجهاز تبعًا للطراز من قبل المصنع حتى 95 كجم. لتحمل وزن الجهاز يجب أن تكون الأرضية مستقرة بدرجة كافية.

درجة الحرارة المحيطة المسموح بها

يرتبط تحديد درجة الحرارة المحيطة المسموح بها بفئة المناخ الخاصة بالجهاز. ستجد البيانات الخاصة بفئة المناخ على لوحة الصنع. ← الشكل 1/3

درجة الحرارة المحيطة المسموح بها	فئة المناخ
10 °م... 32 °م	SN
16 °م... 32 °م	N
16 °م... 38 °م	ST
16 °م... 43 °م	T

- اترك المواد الغذائية والمشروبات الساخنة تبرد قبل وضعها في الثلاجة.
- للانتفاع ببرودة المواد المجمدة ضع المواد المجمدة المراد إذابة تجمدها في قسم التبريد.
- اترك مسافة دائمة بين الأطعمة والجدار الخلفي للجهاز.

وضع الاستعداد

إذا لم يُستخدم الجهاز، تنتقل وحدة العرض إلى وضع الاستعداد أو توماتيكيا. تنخفض شدة إضاءة لوحة الاستعمال في وضع الاستعداد.

4 التنصيب والتوصيل

4.1 محتويات عبوة المنتج

بعد إخراج كافة الأجزاء من عبوة التخليف، تأكد من خلوها من أية أضرار ناجمة عن النقل واكتمال مجموعة التوريدات. في حالات الشكاوى توجّه إلى تاجرِكَ أو إلى مركز خدمة العملاء ← صفحة 137 التابع لنا.

تتكون مجموعة التجهيزات الموردة من:

- جهاز مستقل
- التجهيزات والملحقات¹
- مواد التركيب
- دليل التركيب
- دليل الاستعمال
- سجل خدمة العملاء
- ملحق الضمان²
- ملصق الطاقة

¹ حسب تجهيز الجهاز

² ليست في كل البلدان

2. افحص مقبس الشبكة للتأكد من ثباته.
 ✓ وعندئذ يكون الجهاز جاهزًا للتشغيل.

5 التعرّف

5.1 الجهاز

تجد هنا نظرة عامة على مكوّنات جهازك.

← الشكل 1

A	المجمّد ←صفحة 128
B	درج التبريد ←صفحة 128
1	الإضاءة
2	جهاز إعداد مكعبات الثلج ←صفحة 124
3	لوحة الصنع ←صفحة 138
4	منظم درجة الحرارة (وعاء التخزين) ←صفحة 126
5	حاوية التخزين ←صفحة 123
6	درج الفاكهة والخضروات مع منظم الرطوبة ←صفحة 123
7	نطاق الاستعمال ←صفحة 123
8	فتحة التهوية الداخلية (صندوق التبريد)
9	رف الباب للزجاجات الكبيرة ←صفحة 124
10	قدم ذات مسامير حلزونية

ملاحظة: يمكن أن تكون هناك اختلافات بين جهازك والصور فيما يتعلق بالتجهيز والحجم.

يكون الجهاز قادرًا على العمل بكامل طاقته في نطاق درجة الحرارة المحيطة المسموح بها. إذا قمت بتشغيل جهاز من فئة المناخ SN في درجة حرارة محيطة أكثر برودة، فيمكن استبعاد حدوث أضرار بالجهاز حتى درجة حرارة محيطة 5 °م.

التنصيب الفوقي والتحتي والمتجاور

إذا أردت تنصيب جهازي تبريد فوق بعضهما البعض أو بجوار بعضهما البعض، فيجب الحفاظ على مسافة فاصلة بينهما لا تقل عن 150 مم. مع بعض الأجهزة المختارة يمكن إجراء عملية التنصيب دون الالتزام بالحد الأدنى للمسافة. يُرجى الاستفسار عن ذلك من خلال الوكيل المتخصص لديك أو مصمم المطبخ.

4.3 تركيب الجهاز

- ◀ قم بتركيب الجهاز طبقًا لما ورد بدليل التركيب المرفق.

4.4 تحضير الجهاز للاستخدام لأول مرة

1. أخرج مواد المعلومات.
2. قم بإزالة رقائق الحماية ووسائل تأمين النقل، مثلًا الأشرطة اللاصقة والكارتون.
3. قم بتنظيف الجهاز لأول مرة.
←صفحة 131

4.5 توصيل الجهاز كهربائيًا

1. أدخل مقبس الشبكة لكابل التوصيل بالكهرباء للجهاز في مقبس قريب من الجهاز.
- توجد بيانات توصيل الجهاز على لوحة الصنع. ←الشكل 1/3

5.2 نطاق الاستعمال

اضبط كل وظائف جهازك واحصل على معلومات حول حالة التشغيل عبر لوحة الاستعمال.

← الشكل 2

1 Freezer يضبط درجة حرارة المجمد.

2 Fridge يضبط درجة حرارة قسم التبريد.

3 super (درج التجميد) يضيء عندما يكون التجميد الفائق مشغلاً.

4 يظهر درجة الحرارة المضبوطة للمجمد بوحدة °م.

5 lock 3s يقوم بتشغيل أو إيقاف قفل أزرار نطاق الاستعمال.

6 يضيء عندما يكون قفل الأزرار مفعلاً.

7 يظهر درجة الحرارة المضبوطة لقسم التبريد بوحدة °م.

8 super (درج التبريد) يضيء عندما يكون التبريد الفائق مشغلاً.

9 يضيء عندما يكون الإنذار مشغلاً.

10 يقوم alarm off بإيقاف إشارة التحذير الصوتية.

6 التجهيزات

ويرتبط تجهيز جهازك بالطراز المعني.

6.1 الرف

لتغيير مواضع الأرفف حسب الحاجة، أخرج الرف وأعد تركيبه في موضع آخر. ← "إخراج الرف"، صفحة 131

6.2 حاوية التخزين

يسود في وعاء التخزين درجات حرارة أقل من درجة الحرارة في درج التبريد. وقد تصل إلى درجات أقل من 0°م من حين لآخر.

للموصول بدرجات الحرارة إلى ما يقارب 0°م في حاوية التخزين، اضبط درجة حرارة صندوق التبريد على 2°م. ←صفحة 126

استخدم درجات الحرارة المنخفضة في حاوية التخزين، لتخزين الأطعمة القابلة للتلف بسهولة مثل السمك واللحم والسجق.

6.3 درج الفاكهة والخضروات مع منظّم الرطوبة

قم بتخزين الفاكهة والخضروات الطازجة بدون تغليف في درج الفاكهة والخضروات.

عند حفظ الفاكهة والخضروات المقطعة، قم بتغطيتها أو تغليفها بشكل محكم ضد تسريب الهواء. بواسطة منظّم الرطوبة يمكنك مواءمة درجة رطوبة الهواء في درج الفاكهة والخضروات. وبذلك يمكنك حفظ الفاكهة والخضروات الطازجة لمدة أطول من مدة الحفظ التقليدية.

← الشكل 3

6.4 مقسم الأواني

لتغيير توزيع أدراج الفاكهة والخضروات، يمكنك إخراج مقسم الأدراج ونقله إلى موضع آخر.
← "خلع مقسم الأواني"، صفحة 131

6.5 رف الباب

لتغيير موضع رف الباب حسب الحاجة، أخرج رف الباب وأعد تركيبه في موضع آخر.
← "إخراج رف الباب"، صفحة 131

6.6 جهاز إعداد مكعبات الثلج

استخدم جهاز إعداد مكعبات الثلج، لعمل مكعبات الثلج من ماء الشرب.

عمل مكعبات الثلج

لا تستخدم سوى ماء الشرب لصنع مكعبات الثلج.

1. أخرج طبق مكعبات الثلج ① واملأه بماء الشرب حتى $\frac{3}{4}$ حجمه ② ثم أعد تركيبه ③.

← الشكل 4

ملاحظة: الملاء بكمية زائدة من ماء الشرب قد يضر بوظيفة جهاز إعداد مكعبات الثلج. ولن تنفك مكعبات الثلج بشكل فردي من طبق مكعبات الثلج. ويتدفق ماء الشرب المملوء بشكل زائد عن الحد إلى إناء مكعبات الثلج وتتجمد مكعبات الثلج الموجودة معاً.

2. بعد تجمد مكعبات الثلج، أدر المقبض الدوار لطبق مكعبات الثلج عدة مرات ثم اتركه.

← الشكل 5

✓ تنحل مكعبات الثلج وتسقط في إناء مكعبات الثلج.

اضبط درجة رطوبة الهواء في درج الفاكهة والخضروات وفقاً لنوع وكمية الأطعمة المطلوب تخزينها من خلال تحريك منظم الرطوبة، كما يلي:

- درجة رطوبة هواء منخفضة ☹️ عندما تكون غالبية الأطعمة المخزنة من الفاكهة أو التعبئة المختلطة أو التخميل المرتفع.
- درجة رطوبة هواء عالية ☺️ عندما تكون غالبية الأطعمة المخزنة من الخضروات وكذلك في حالة التعبئة المختلطة أو التخميل القليل.

وفقاً للكمية المخزنة ونوع المواد المخزنة يمكن أن يتكون ماء متكثف في درج الفاكهة والخضروات. قم بإزالة الماء المتكثف بواسطة منديل جاف واضبط درجة رطوبة هواء منخفضة عن طريق منظم درجة الرطوبة.

لكي يتسنى الحفاظ على الجودة والنكهة، قم بتخزين الفاكهة والخضروات الحساسة للبرودة خارج الجهاز في درجات حرارة من حوالي 8 °م حتى 12 °م، مثل الأناناس، الموز، الموالح، الخيار، الكوسة، الفلفل الحلو، الطماطم والبطاطس.

7 الاستعمال الأساسي

7.1 تشغيل الجهاز

1. قم بتوصيل الجهاز كهربائيًا.
←صفحة 122

ملاحظة: إذا تم إيقاف الجهاز بشكل مسبق عن طريق نطاق الاستعمال، اضغط على alarm off لمدة 15 ثوان. ✓ يبدأ الجهاز في التبريد.
✓ تصدر إشارة تحذير صوتية ويومض بيان درجة الحرارة (حيز التجميد) ويومض «» باللون الأحمر، نظرًا لأن حيز التجميد مازال دافئًا للغاية.

2. أوقف إشارة التحذير الصوتية بواسطة alarm off.

✓ ينطفئ «» بمجرد الوصول إلى درجة الحرارة المضبوطة.

3. اضبط درجة الحرارة المرغوبة.
←صفحة 126

7.2 إرشادات حول التشغيل

- إذا قمت بتشغيل الجهاز، لا يتم الوصول إلى درجة الحرارة المضبوطة إلا بعد عدة ساعات. لا تضع أية أطعمة قبل الوصول إلى درجة الحرارة المضبوطة.
- تصبغ الواجهات والجدران الجانبية للجهاز ساخنة بعض الشيء بين الحين والآخر. وهذا يمنع تكون الماء بسبب التكثف.
- عندما تغلق الباب، يمكن أن يتولد ضغط منخفض. ولا تستطيع فتح الباب مرة أخرى إلا بصعوبة. انتظر لحظة، حتى يتم معادلة الضغط المنخفض.
- تختلف درجة الحرارة في الجهاز حسب الشروط التالية:
 - تكرار عمليات فتح الجهاز
 - مقدار الحمولة

3. اسحب إناء مكعبات الثلج وأخرج المكعبات.

6 الشكل

6.7 الملحقات

استخدم الملحقات الأصلية. فهي مصممة لتناسب مع جهازك. تتوقف ملحقات جهازك على الطراز.

رف البيض

قم بتخزين البيض بشكل آمن على رف البيض.

حامل الزجاجات

يعمل حامل الزجاجات على منع انقلاب الزجاجات عند فتح وغلق باب الجهاز.

7 الشكل

رف الزجاجات المتغير

قم بوضع الزجاجات بشكل آمن على رف الزجاجات المتغير.

8 الشكل

طبق مكعبات الثلج

استخدم طبق مكعبات الثلج، لعمل مكعبات الثلج.

عمل مكعبات الثلج

لا تستخدم سوى ماء الشرب لصنع مكعبات الثلج.

1. املاً طبق مكعبات الثلج حتى ثلاثة أرباعه بماء صالح للشرب ثم ضعه في حيز التجميد.


قم بفك طبق مكعبات الثلج المجمد بأداة غير حادة، مثل مقبض ملعقة خشبية.

2. لفك مكعبات الثلج، ضع طبق مكعبات الثلج تحت الماء لمدة قصيرة، أو قم ببله قليلاً.


7.5 قفل الأزرار (وظيفة أمان الأطفال)

يحول قفل الأزرار دون استعمال الجهاز بصورة غير مرغوبة أو غير مناسبة.

تشغيل قفل الأزرار

◀ اضغط على lock 3s لمدة 3 ثوان.
✓  يضيء.

إيقاف قفل الأزرار

◀ اضغط على lock 3s لمدة 3 ثوان.
✓ ينطفئ .

8 الوظائف الإضافية

تعرف على الوظائف الإضافية القابلة للضبط التي يحتوي عليها جهازك.

8.1 التبريد الفائق

مع التبريد الفائق يعمل قسم التبريد بأقصى أداء تبريد ممكن.
قم بتشغيل التبريد الفائق قبل تخزين كميات الأطعمة الكبيرة.

ملاحظة: عندما يكون التبريد الفائق مشغلاً، قد تتزايد أصوات الضجيج.

تشغيل التبريد الفائق

◀ كرر الضغط على Fridge، إلى أن يضيء super (درج التبريد).

ملاحظة: بعد حوالي 6 ساعة يتحول الجهاز إلى وضع التشغيل العادي.

إيقاف التبريد الفائق

◀ كرر الضغط على Fridge، إلى أن يشير بيان درجة الحرارة (درج التبريد) إلى درجة الحرارة المرغوبة.

- درجة حرارة الأطعمة المخزنة حديثاً
- درجة الحرارة المحيطة
- أشعة الشمس المباشرة

7.3 إيقاف الجهاز

◀ alarm off استمر في الضغط على لمدة 15 ثوان.

7.4 ضبط درجة الحرارة

ضبط درجة حرارة قسم التبريد

◀ كرر الضغط على Fridge إلى أن يشير بيان درجة الحرارة إلى وضع ضبط درجة الحرارة المرغوب.

للوصول إلى درجة الحرارة المضبوطة، حرّك منظم درجة حرارة درج التخزين إلى الوضع 1/3 من أسفل. -صفحة 126
درجة الحرارة الموصى بها في قسم التبريد تبلغ 4°م.

ضبط درجة الحرارة وعاء التخزين

1. لتقليل درجة الحرارة، حرّك منظم درجة الحرارة في الاتجاه extra cold.

2. لرفع درجة الحرارة، حرّك منظم درجة الحرارة في الاتجاه cold.

← الشكل 9

ضبط درجة حرارة المجمد

◀ كرر الضغط على Freezer إلى أن يشير بيان درجة الحرارة إلى وضع ضبط درجة الحرارة المرغوب.

درجة الحرارة الموصى بها في المجمد تبلغ -18°م.

8.2 التجميد الفائق

مع التجميد الفائق يقوم صندوق التجميد بالتبريد بأقصى أداء تبريد ممكن.
قم بتشغيل التجميد الفائق قبل 4 حتى 6 ساعات من القيام بتخزين كمية أطعمة بدءًا من 2 كجم في المجمد. للاستفادة من قدرة التجميد، استخدم التجميد الفائق.

← "متطلبات قدرة التجميد"،
صفحة 129

ملاحظة: عندما يكون التجميد الفائق مشغلاً، قد تتزايد أصوات الضجيج.

قم بتشغيل التجميد الفائق

◀ كرر الضغط على Freezer، إلى أن يضيء super (درج التجميد).

ملاحظة: بعد حوالي 54 ساعة يتحول الجهاز إلى وضع التشغيل العادي.

قم بإيقاف التجميد الفائق

◀ كرر الضغط على Freezer، إلى أن يشير بيان درجة الحرارة (درج التجميد) إلى درجة الحرارة المرغوبة.

9.2 إنذار درجة الحرارة

عندما تصبح درجة حرارة صندوق التجميد ساخنة جدًا، ينطلق إنذار درجة الحرارة.
تصدر إشارة تحذير صوتية ويومض بيان درجة الحرارة (حيز التجميد) ويومض «» باللون الأحمر.

⚠ احترس

خطر حدوث أضرار صحية!

عند إذابة التجمد قد تتكاثر البكتيريا، ومن ثم تفسد المواد المجمدة.

- ◀ لا تقم بإعادة تجميد المواد المذابة.
- ◀ ولا تقم بتجميدها مجددًا إلا بعد طهوها أو قليها،
- ◀ وحينها لا تعتمد على مدة التخزين الفصوى كاملةً.

قد ينطلق إنذار درجة الحرارة في الحالات التالية:

- عند بدء تشغيل الجهاز، لا تقم بتخزين المواد الغذائية، إلا بعد الوصول إلى درجة الحرارة المضبوطة.
- عند وضع كمية كبيرة من الأطعمة الطازجة.
- قم بتشغيل التجميد الفائق قبل تخزين كميات كبيرة من الطعام.
- ترك باب صندوق التجميد مفتوحًا لمدة طويلة.
- افحص ما إذا كان يتم إذابة المواد الغذائية المجمدة.

إطفاء إنذار درجة الحرارة

- ◀ اضغط على alarm off.
- ✓ يتم إيقاف إشارة التحذير الصوتية.

9 الإنذار

9.1 إنذار الباب

عند فتح باب الجهاز لمدة أطول ينطلق إنذار الباب.
تصدر إشارة تحذير صوتية ويومض «» باللون الأحمر.

إطفاء إنذار الباب

- ◀ أغلق باب الجهاز أو اضغط على alarm off.
- ✓ يتم إيقاف إشارة التحذير الصوتية.

نصيحة: قم بتخزين الأطعمة القابلة للتلف بسهولة، مثل السمك والسجق واللحم، في النطاق الأكثر برودة.

أكثر النطاقات سخونة

أكثر النطاقات سخونة هو الواقع عند الباب بالأعلى تمامًا.

نصيحة: قم بتخزين الأطعمة غير

الحساسة، مثلًا الجبن الصلب والزبدة، في النطاقات الأكثر سخونة. بذلك يمكن للجبن أن يحافظ على رائحته الفواحة، بينما تبقى الزبدة سهلة الفرد.

10 قسم التبريد

يمكنك حفظ اللحم والسجق (النقانق) والسمك ومنتجات الألبان والبيض والأطعمة الجاهزة والمخبوزات في قسم التبريد.

يمكن ضبط درجة الحرارة على قيمة من 2° م حتى 8° م.

يمكنك بواسطة التخزين البارد تخزين الطعام القابل للتلف بسهولة لفترة قصيرة وحتى متوسطة. كلما كانت درجة الحرارة المختارة أكثر انخفاضًا، طالت المدة التي تظل فيها الأطعمة طازجة.

10.1 نصائح لتخزين الأطعمة في قسم التبريد

- احفظ الأطعمة الطازجة والسليمة فقط.
- احرص على تغليف الأطعمة بشكل محكم ضد تسريب الهواء أو تغطيتها أثناء حفظها.
- لا تضع الأطعمة أمام فتحة التهوية الداخلية أو بجوار الجدار الخلفي مباشرة حتى لا يضعف تدوير الهواء أو تتجمد الأطعمة.
- ينبغي ترك الأطعمة والمشروبات الساخنة لتبرد أولاً.
- يجب مراعاة تاريخ انتهاء الصلاحية أو تاريخ الاستهلاك المحدد من قبل الجهة الصانعة.

10.2 النطاقات الباردة في قسم التبريد

من خلال تدوير الهواء في قسم التبريد تنشأ نطاقات باردة مختلفة.

أكثر منطقة برودة

النطاق الأكثر برودة هو ذلك الموجود بين السهم المرسوم على الجانب وبين الرف الموجود تحته.

11 صندوق التجميد

في صندوق التجميد يمكنك تخزين الأغذية المجمدة، وتجميد الطعام وعمل مكعبات الثلج.

يمكن ضبط درجة الحرارة على قيمة من -16° م حتى -24° م.

عند تخزين الأطعمة لفترة طويلة ينبغي أن يتم ذلك في درجة حرارة -18° م أو أقل.

بفضل خاصية تخزين الأطعمة المجمدة يمكن تخزين الأطعمة التي تفسد بسرعة لفترة طويلة. فدرجات الحرارة المنخفضة تبطئ أو توقف فساد الأطعمة.

11.1 قدرة التجميد

تحدد قدرة التجميد كمية الطعام التي يمكن تجميدها حتى باطنها وعدد الساعات اللازمة لذلك.

ستجد البيانات الخاصة بأقصى قدرة تجميد على لوحة الصنع. -الشكل 1/

3

- قم بغسل الخضروات وتقطيعها وسلقها قبل التجميد.
- قبل التجميد، قم بغسل الفاكهة ونزع بذورها وتقسيرها حسب اللزوم وإضافة السكر أو مادة حمض الأسكوربيك.
- من الأطعمة المناسبة للتجميد المخبوزات واللحوم والمأكولات البحرية واللحوم البرية والطيور والبيض بدون قشرة والجبن والزبدة واللبن المخثر والوجبات الجاهزة وبقايا الأطعمة.
- من الأطعمة غير المناسبة للتجميد الخس والفجل والبيض بقشرته والعبن والتفاح النيئ والكمثرى والزبادي والكريمة الحامضة والفشدة الطرية والمايونيز.

تغليف المواد المجمدة

- خامة التغليف المناسبة وطريقة التغليف الصحيحة من شأنهما الحفاظ على جودة المنتج وتجنب حروق التجميد.
- 1. قم بوضع الطعام في الغلاف.
- 2. قم بالضغط عليها لتفريغ الهواء.
- 3. أغلق الغلاف بإحكام ضد الهواء، حتى لا يفقد الطعام نكهته أو يجف.
- 4. دوّن على الغلاف محتواه وتاريخ تجميده.

11.5 صلاحية الأطعمة

المجمدة في درجة حرارة -18° م

المواد الغذائية	فترة التخزين
السمك والنقانق والأطعمة الجاهزة والمخبوزات	حتى 6 شهور
الطيور واللحوم	حتى 8 شهور
الخضروات والفواكه	حتى 12 شهرًا

متطلبات قدرة التجميد

1. قبل وضع الأطعمة الطازجة بحوالي 24 ساعة، قم بتشغيل التجميد الفائق.
- ← "قم بتشغيل التجميد الفائق"، صفحة 127
2. في البداية املأ النطاق الأمامي لرف حيز التجميد بالأطعمة.
3. إذا كان النطاق الأمامي لرف حيز التجميد غير كافٍ، فقم بتخزين الكمية المتبقية في النطاق الأمامي لأرضية حيز التجميد.

11.2 استغلال سعة صندوق التجميد بالكامل

- تعرف على كيفية وضع الكمية القصوى من الطعام المراد تجميده في درج التجميد.
1. أخرج جميع أجزاء التجهيزات في درج التجميد. ← صفحة 131
 2. قم بتخزين الطعام على أرضية المجمد مباشرة.

11.3 نصائح لتخزين الأطعمة في صندوق التجميد

- احرص على تغليف الأطعمة بشكل محكم ضد تسرب الهواء أثناء حفظها.
- عدم ملاصقة الأطعمة المراد تجميدها للأطعمة المجمدة.
- قم بتوزيع الأطعمة في المجمد على أكبر مساحة ممكنة.

11.4 نصائح حول تجميد الأطعمة الطازجة

- احرص على تجميد الأطعمة الطازجة والسليمة فقط.
- قم بتجميد الأطعمة شيئًا فشيئًا.
- الأطعمة الجاهزة تكون أنسب من الأطعمة التي يمكن تناولها نيئة.

12 إذابة التجمد

12.1 إذابة التجمد في قسم التبريد

صندوق التبريد في جهازك يقوم بإذابة التجمد أوتوماتيكياً.

12.2 إذابة التجمد في صندوق التجميد

بفضل نظام NoFrost الأوتوماتيكي بالكامل يبقى المجمد خالياً من الثلج. وبالتالي ليس هناك حاجة لإذابة التجمد.

13 التنظيف والعناية

نظف جهازك واعتني به بدقة، كي يظل قادراً على أداء وظيفته لمدة طويلة. يجب أن يتم تنظيف المواضع، التي يصعب الوصول إليها، عن طريق خدمة العملاء. يمكن أن يكلف التنظيف عبر خدمة العملاء نفقات مالية.

13.1 تحضير الجهاز للتنظيف

1. قم بإيقاف الجهاز. ←صفحة 126
2. افصل الجهاز عن الشبكة الكهربائية. اسحب القابس الكهربائي لكابل التيار أو افصل المصهر الموجود في صندوق المصاهر.
3. أخرج جميع الأطعمة وقم بتخزينها في مكان بارد.
- ضع مراكم البرودة، إن وجدت، على الأطعمة.
4. أخرج جميع أجزاء التجهيزات وأجزاء الكماليات من الجهاز. ←صفحة 131

يبيّن تقويم التجميد المطبوع أقصى مدة تخزين بالشهور في ظل درجة حرارة ثابتة تبلغ -18 °م.

11.6 طرق إذابة التجمد عن الأطعمة المجمدة

⚠ احترس

خطر حدوث أضرار صحية!

- عند إذابة التجمد قد تتكاثر البكتيريا، ومن ثم تفسد المواد المجمدة.
- ◀ لا تقم بإعادة تجميد المواد المذابة.
 - ◀ ولا تقم بتجميدها مجدداً إلا بعد طهوها أو قلبها،
 - ◀ وحينها لا تعتمد على مدة التخزين القصوى كاملة.

- قم بإذابة تجمد أغذية الحيوانات مثل السمك واللحوم والجبن واللبن المخثر في حيز التبريد.
- قم بإذابة تجمد الخبز في درجة حرارة الغرفة.
- قم بتحضير الأطعمة في الميكروويف أو في الفرن أو على الموقد لتناولها على الفور.

13.2 تنظيف الجهاز



خطر الصعق الكهربائي!

الرطوبة المتوغلّة في الجهاز قد تسبب صدمة كهربائية.

◀ لا تستخدم أجهزة تنظيف بالضغط العالي أو أجهزة تنظيف بالبخار، كي تنظف الجهاز.

وصول سوائل إلى الإضاءة أو عناصر الاستعمال أو إلى فتحات التهوية الداخلية قد يكون خطيراً.

◀ يحظر وصول ماء الشطف إلى الإضاءة أو عناصر الاستعمال أو فتحات التهوية الداخلية.

تنبيه!

المنظفات غير المناسبة يمكن أن تضر بسطح الجهاز.

◀ لا تستخدم وسائد حاكة أو قطع إسفنجية خشنة.

◀ لا تستخدم منظفات خادشة أو مواد تنظيف حادة.

◀ لا تستخدم أية منظفات قوية تحتوي على الكحول.

عندما تقوم بتنظيف أجزاء التجهيزات والملحقات في غسالة الأواني، فإنها يمكن أن تتشوه أو يتغير لونها.

◀ لا تقم أبداً بتنظيف أجزاء التجهيزات والملحقات في غسالة الأواني.

1. قم بتحضير الجهاز للتنظيف.

←صفحة 130

2. قم بتنظيف الجهاز وأجزاء التجهيزات وأجزاء الكماليات وعناصر إحكام الباب باستخدام فوطة أواني وماء فاتر وقدر من مادة تنظيف متعادلة الأس الهيدروجيني.

3. قم بالتجفيف جيداً بعد ذلك باستخدام فوطة ناعمة وجافة.

4. أدخل أجزاء التجهيزات.

5. قم بتوصيل الجهاز كهربائياً.
←صفحة 122

6. قم بوضع الأطعمة.

13.3 إخراج أجزاء التجهيزات

عندما تريد تنظيف أجزاء التجهيزات جيداً، اخلعها من جهازك.

إخراج الرف

◀ اسحب الرف للخارج وارفعه واخلعه.

← الشكل 10

إخراج رف الباب

◀ ارفع رف الباب واخلعه.

← الشكل 11

خلع مقسم الأواني

◀ ارفع مقسم الأدرج وأخرجه.

← الشكل 12

أخرج حاوية التخزين

1. اسحب وعاء التخزين للخارج حتى النهاية.

2. ارفع وعاء التخزين للأمام ① وأخرجه ②.

← الشكل 13

إخراج درج الفاكهة والخضروات

1. اسحب درج الفاكهة والخضروات للخارج حتى النهاية.

2. ارفع حاوية الفاكهة والخضروات من الأمام ① ثم اخلعها ②.

← الشكل 14

إخراج جهاز إعداد مكعبات الثلج

1. أخرج طبق مكعبات الثلج ① ووعاء مكعبات الثلج ② وقم بتفريغهما.

← الشكل 15

2. اضغط الزر الانضغاطي^①، لفك جهاز إعداد مكعبات الثلج من الحامل واخلع جهاز إعداد مكعبات الثلج^②.

← الشكل 16

3. ارفع الطرف الخلفي للحامل وأنزل رف حيز التبريد من الخلف^①. اخلع الحامل بسحبه للأمام^②.

← الشكل 17

14 التغلب على الاختلالات

يمكنك أن تقوم بنفسك بإصلاح الأعطال البسيطة بجهازك. اقرأ معلومات التغلب على الأعطال قبل الاتصال بخدمة ما بعد البيع. حيث يجنبك ذلك أية تكاليف غير ضرورية.

⚠ تحذير

خطر الصعق الكهربائي!

تنطوي أعمال الإصلاح غير السليمة فنيًا على أخطار.

- ◀ وحدهم أفراد الطاقم الفني المدربون من أجل ذلك يُسمح لهم بإجراء إصلاحات على الجهاز.
- ◀ لا يُسمح إلا باستخدام قطع الغيار الأصلية لإصلاح الجهاز.
- ◀ إذا كان كابل الكهرباء لهذا الجهاز متضررًا، يجب تغييره من قبل الجهة الصانعة أو مركز خدمة العملاء التابع لها أو من قبل فني مؤهل بشكل مماثل، وذلك لتجنب المخاطر.

العطل	السبب والتغلب على الأعطال
الجهاز لا يبّد، بينما الشاشة وتجهيزه الإضاءة مضيئتان.	نمط العرض مشغّل. 1. استمر في الضغط على Fridge + Freezer لمدة من 9 إلى 11 ثانية حتى تصدر إشارة صوتية. 2. تحقق بعد فترة وجيزة من برودة الجهاز.
إضاءة LED لا تعمل.	أسباب مختلفة ممكنة. ◀ اتصل بخدمة العملاء. تجد رقم خدمة العملاء في دليل مراكز خدمة العملاء المرفق.
الجران الجانبية للجهاز ساخنة.	لا يوجد خطأ. تمر أنابيب عبر الجران الجانبية، وهي تسخن أثناء عملية التبريد. الأثاث الذي يلامس الجهاز لا يتضرر بسبب الحرارة. لا داع لاتخاذ تصرف.
تصدر إشارة تحذير صوتية ويومض «» باللون الأحمر. إنذار الباب مشغّل.	باب الجهاز مفتوح. ◀ أغلق باب الجهاز.

العطل	السبب والتغلب على الأعطال
تصدر إشارة تحذير صوتية ويومض بيان درجة الحرارة (حيز التجميد) ويومض (١١) باللون الأحمر.	أسباب مختلفة ممكنة. ◀ اضغط على alarm off. ✓ يتم إيقاف الإنذار.
إنذار درجة الحرارة مشغل.	تم وضع كمية كبيرة من الأطعمة الطازجة. ◀ لا تتجاوز أقصى قدرة تجميد. ← "قدرة التجميد"، صفحة 128
لم يتم الوصول إلى درجة الحرارة المضبوطة.	تم ترك باب صندوق التجميد مفتوحاً لفترة طويلة. جهاز التبخير (مولد البرودة) في نظام NoFrost متجمد بشدة.
خاصية إذابة التجمد الأوتوماتيكية بالكامل لا تعمل.	الشرط: تم تخزين الطعام المجمد بشكل جيد في مكان بارد.
	1. قم بإيقاف الجهاز. ← صفحة 126 2. افصل الجهاز عن الشبكة الكهربائية. اسحب القابس الكهربائيّ لكابل توصيل التيار من المقبس أو افصل المصهر الموجود في صندوق المصاهر. 3. أبعد الجهاز عن الحائط. 4. اترك باب الجهاز مفتوحاً. ✓ بعد حوالي 20 دقيقة يبدأ الماء المذاب بالسيلان في صينية التبخير على الجهة الخلفية للجهاز. ← الشكل 18
	5. لمنع زيادة الماء على صينية التبخير في هذه الحالة قم بالتقاط الماء المذاب بواسطة إسفنجة. يكون قد تم إذابة التجمد عن جهاز التبخير عند توقف سيلان الماء المذاب في صينية التبخير. 6. قم بتنظيف الحيز الداخلي للجهاز. ← صفحة 131 7. أعد تشغيل الجهاز. ← صفحة 125
درجة الحرارة تختلف كثيراً عن وضع الضبط.	أسباب مختلفة ممكنة. 1. قم بإيقاف الجهاز. ← صفحة 126 2. أعد تشغيل الجهاز بعد حوالي 5 دقائق. ← صفحة 125
	- عندما تكون درجة الحرارة مرتفعة جداً، تحقق من درجة الحرارة مجدداً بعد بضع ساعات. - عندما تكون درجة الحرارة باردة جداً، تحقق من درجة الحرارة مجدداً في اليوم التالي.

العطل	السبب والتغلب على الأعطال
يتكون ماء متكثف على سطح الجهاز والأرشف في الجهاز.	يتكثف الماء المحتوي على هواء دافئ ورطب على الأسطح الباردة. 1. امسح الماء باستخدام قطعة قماش ناعمة وجافة. 2. افتح الجهاز قليلاً قدر الإمكان. 3. تأكد أن الجهاز مغلق دائماً بصورة صحيحة.
الجهاز يصدر صوت أزيز أو بقللة أو زن أو بقبقة أو طقطقة أو طنين.	لا يوجد خطأ. محرك يعمل، مثلاً جهاز التبريد، المروحة. مادة التبريد تتدفق عبر الأنابيب. يتم تشغيل أو إيقاف المحرك أو المفتاح أو الصمامات المغناطيسية. يتم إذابة التجمد أو توماتيكياً. يقوم نظام منع تكون الصقيع الأوتوماتيكي NoFrost بالإذابة وتتبخر قطرات الماء. لا داع لاتخاذ تصرف.
الجهاز يصدر أصوات ضجيج.	الجهاز في وضعية غير مستوية. ◀ قم بمحاذاة الجهاز باستخدام ميزان ماء والأقدام ذات المسامير الحلزونية.
	الجهاز ليس منفصل. ◀ التزم بالحد الأدنى للمسافات الفاصلة للجهاز.
	أجزاء التجهيزات ترتع أو تنحصر. ◀ افحص أجزاء التجهيزات القابلة للفك و قم بتركيبها من جديد حسب الحالة.
	الزجاجات أو الأواني تتلامس. ◀ أبعد الزجاجات أو الأواني عن بعضها.
	التجميد الفائق مشغل. لا داع لاتخاذ تصرف.

- ✓ أثناء الاختبار الذاتي للجهاز تصدر بين الحين والآخر إشارة صوتية طويلة.
- ✓ إذا صدر بعد نهاية الاختبار الذاتي للجهاز إشارتان صوتيتان وأشار بيان درجة الحرارة إلى درجة الحرارة المضبوطة، فهذا يعني أن جهازك على ما يرام. ينتقل الجهاز إلى وضع التشغيل العادي.
- ✓ إذا صدر بعد نهاية الاختبار الذاتي للجهاز 5 إشارات صوتية، فأبلغ خدمة العملاء.

15 التخزين والتخلص

15.1 إخراج الجهاز من الخدمة

1. قم بإيقاف الجهاز. ←صفحة 126
2. افصل الجهاز عن الشبكة الكهربائية. اسحب القابس الكهربائي لكابل التيار أو افصل المصهر الموجود في صندوق المصاهر.
3. أخرج جميع الأطعمة.
4. قم بتنظيف الجهاز. ←صفحة 131
5. **تنبيه!** قد تتعرض مفصلة الباب للضرر من خلال الأغراض المحشورة بين الباب والجسم.
- ◀ افتح الباب حتى يظل مفتوحاً بشكل ذاتي.
- ◀ لا تضع أغراضاً بين الباب والجسم. اترك الجهاز مفتوحاً لضمان تهوية الحيز الداخلي.

14.1 انقطاع التيار الكهربائي

ترتفع درجة الحرارة في الجهاز أثناء انقطاع الكهرباء وبالتالي تقل مدة التخزين وتنخفض جودة الأطعمة المجمدة. من خلال موقعنا الإلكتروني الخاص بجهازك سوف تتعرف في البيانات الفنية على مدة تخزين المواد المجمدة عند حدوث أعطال.

ملاحظات

- لا تفتح الجهاز إلا بأقل ما يمكن ولا تقم بتخزين أطعمة أخرى.
- تحقق من جودة الأطعمة فور انقطاع الكهرباء.
- تخلص من الأطعمة المجمدة التي ذاب تجمدها وكانت درجة حرارتها أعلى من 5 °م.
- قم بطهي الأطعمة المجمدة المذاب تجمدها قليلاً أو قم بتحميرها وتناولها أو أعد تجميدها.

14.2 تنفيذ اختبار ذاتي للجهاز

- يشتمل جهازك على خاصية الاختبار الذاتي للجهاز لعرض الأعطال التي يمكن لخدمة العملاء معالجتها.
1. قم بإيقاف الجهاز. ←صفحة 126
 2. افصل الجهاز عن الشبكة الكهربائية. اسحب القابس الكهربائي لكابل التيار أو افصل المصهر الموجود في صندوق المصاهر.
 3. أعد توصيل الجهاز بالكهرباء بعد 5 دقائق. ←صفحة 122
 4. قم بتشغيل الجهاز. ←صفحة 125
 5. خلال دقيقتين من التشغيل Freezer استمر في الضغط لمدة 5 ثوان حتى تصدر إشارة صوتية.
- ✓ يبدأ الاختبار الذاتي للجهاز.

15.2 التخلص من الجهاز القديم

يمكن إعادة تدوير المواد الخام الثمينة من خلال التخلص من الجهاز بطريقة تحافظ على البيئة.

⚠ تحذير

خطر حدوث أضرار صحية!

يمكن أن يتعرّض الأطفال للاحتجاز داخل الجهاز وتكون هناك خطورة على حياتهم.

• تجنباً لتسلل الأطفال للداخل لا تقم بسحب الأرفف والحاويات من الجهاز.

• احرص على بقاء الأطفال بعيداً عن الجهاز التالف.

⚠ تحذير

خطر نشوب حريق!

في حالة حدوث ضرر بالمواسير يمكن أن تتسرب مادة تبريد قابلة للاشتعال وغازات ضارة وتشتعل.

• احرص على عدم إلحاق أضرار بأنايب دورة التبريد أو العازل.

1. انزع القابس الكهربائي من كابل الكهرباء.

2. اقطع كابل الكهرباء.

3. تخلّص من الجهاز بطريقة لا تضر بالبيئة.

يمكنك الحصول على المعلومات الخاصة بأحدث سبل التخلص من المخلفات لدى تاجرِكَ المتخصص أو لدى إدارة البلدية أو المدينة التي تتبع لها.

الخاصة بالأجهزة الكهربائية والإلكترونية القديمة (waste electrical and electronic equipment - WEEE).

وهذه المواصفة تحدد الإطار العام لقواعد

تسري في جميع دول

الاتحاد الأوروبي بخصوص استعادة الأجهزة القديمة وإعادة استغلالها.

16 خدمة العملاء

يمكن الحصول على قطع غيار أصلية ذات صلة بالوظيفة وفقاً لتوجيهات التصميم الإيكولوجي ذات الصلة من خدمة العملاء لمدة 10 سنوات على الأقل من تاريخ استلام العميل للسلعة أو تاريخ تفعيل الضمان للسلع التي تحتاج إلى تركيب أو تشغيل¹ سوف تحصل على معلومات مفصلة حول فترة الضمان وشروطه في بلدك لدى خدمة العملاء الخاصة بنا أو لدى التاجر الذي تتعامل معه أو على موقعنا الإلكتروني.

عندما تتواصل مع خدمة العملاء، سوف تكون بحاجة إلى رقم المنتج (E-Nr.) ورقم الصنع (FD-Nr.) الخاصين بجهازك. تجد بيانات الاتصال بخدمة العملاء في فهرس خدمة العملاء المرفق أو على موقعنا الإلكتروني.

16.1 رقم المنتج (E-Nr.) ورقم الصنع (FD)

تجد رقم المنتج (E-Nr.) ورقم الصنع (FD) على لوح الصنع للجهاز.

الشكل 1/3

هذا الجهاز مطابق للمواصفة الأوربية 2012/19/المجموعة الاقتصادية الأوربية



كي تجد بيانات جهازك ورقم هاتف
خدمة العملاء مجددًا بسرعة، يمكنك
تدوين البيانات.

17 البيانات التقنية

تجد المعلومات حول مادة التبريد
والسعة الصافية وغير ذلك من
البيانات الفنية على لوحة الصنع.

← الشكل 1/3



Thank you for buying a Bosch Home Appliance!

Register your new device on MyBosch now and profit directly from:

- **Expert tips & tricks for your appliance**
- **Warranty extension options**
- **Discounts for accessories & spare-parts**
- **Digital manual and all appliance data at hand**
- **Easy access to Bosch Home Appliances Service**

Free and easy registration – also on mobile phones:

www.bosch-home.com/welcome



Looking for help? You'll find it here.

Expert advice for your Bosch home appliances, help with problems or a repair from Bosch experts.

Find out everything about the many ways Bosch can support you:

www.bosch-home.com/service

Contact data of all countries are listed in the attached service directory.

BSH Hausgeräte GmbH

Carl-Wery-Straße 34
81739 München, GERMANY
www.bosch-home.com

A Bosch Company



8001224788 (030911)

en, ru, kk, uz, ar