



Register your
new device on
MyBosch now and
get free benefits:
[bosch-home.com/
welcome](https://bosch-home.com/welcome)

Fridge-freezer

KDN..

en	Instructions for use	Fridge-freezer	3
fr	Notice d'utilisation	Combiné réfrigérateur-congérateur	24

en Table of contents

Safety and warning information	3	Freezing capacity	15
Information concerning disposal	6	Freezing and storing food	15
Scope of delivery	7	Freezing fresh food	15
Installation location	7	Super freezing	16
Observe ambient temperature and ventilation	7	Thawing frozen food	16
Connecting the appliance	8	Interior fittings	17
Getting to know your appliance	9	Sticker "OK"	18
Switching on the appliance	10	Switching off and disconnecting the appliance	18
Setting the temperature	11	Cleaning the appliance	19
Special functions	11	Light (LED)	20
Alarm function	12	Tips for saving energy	20
Usable capacity	13	Operating noises	20
Refrigerator compartment	13	Eliminating minor faults yourself	21
Super cooling	14	Appliance self-test	23
Freezer compartment	14	Customer service	23

fr Table des matières

Prescriptions-d'hygiène-alimentaire ..	24	Compartiment congélateur	38
Consignes de sécurité et avertissements	24	Capacité de congélation	39
Conseil pour la mise au rebut	29	Congélation et rangement	39
Étendue des fournitures	29	Congélation de produits frais	39
Lieu d'installation	30	Supercongélation	40
Contrôler la température ambiante et l'aération	30	Décongélation des produits	41
Branchement de l'appareil	31	Équipement	41
Présentation de l'appareil	32	Autocollant « OK »	43
Allumer l'appareil	33	Arrêt et remisage de l'appareil	43
Réglage de la température	34	Nettoyage de l'appareil	43
Fonctions spéciales	34	Éclairage (LED)	45
Fonction alarme	35	Economies d'énergie	45
Contenance utile	36	Bruits de fonctionnement	45
Le compartiment réfrigérateur	36	Remédier soi même aux petites pannes	47
Super-réfrigération	38	Autodiagnostic de l'appareil	49
		Service après-vente	49

Safety and warning information

Before you switch ON the appliance

Please read the operating and installation instructions carefully! They contain important information on how to install, use and maintain the appliance. The manufacturer is not liable if you fail to comply with the instructions and warnings. Retain all documents for subsequent use or for the next owner.

Technical safety



Fire hazard

The tubes of the refrigeration circuit convey a small quantity of an environmentally friendly but flammable refrigerant (R600a). It does not damage the ozone layer and does not increase the greenhouse effect. If refrigerant escapes, it may injure your eyes or ignite.

If damage has occurred

- Keep naked flames and/or ignition sources away from the appliance,
- thoroughly ventilate the room for several minutes,
- switch off the appliance and pull out the mains plug,
- inform customer service.

The more refrigerant an appliance contains, the larger the room must be in which the appliance is situated. Leaking refrigerant can form a flammable gas-air mixture in rooms which are too small. The room must be at least 1 m³ per 8 g of refrigerant. The amount of refrigerant in your appliance is indicated on the rating plate inside the appliance.

When installing the appliance, ensure that the mains cable is not trapped or damaged.

If the power cord of this appliance is damaged, it must be replaced by the manufacturer, Customer Service or a similarly qualified person. Improper installations and repairs may put the user at considerable risk.

Repairs may be performed by the manufacturer, customer service or a similarly qualified person only.

Only original parts supplied by the manufacturer may be used.

The manufacturer guarantees that only these parts satisfy the safety requirements.

Do not use multiple sockets, extension leads or adapters.



Fire hazard

Portable multiple outlets or power supplies may overheat, causing a fire.

Never leave portable multiple outlets or portable power supplies behind the appliance.

Important information when using the appliance

- Never use electrical appliances inside the appliance (e.g. heaters, electric ice makers, etc.). Risk of explosion!
- Never defrost or clean the appliance with a steam cleaner! The steam may penetrate electrical parts and cause a short-circuit. Risk of electric shock!
- Do not use additional means to accelerate the defrosting process other than those recommended by the manufacturer. Risk of explosion!
- Do not use pointed or sharp-edged implements to remove frost or layers of ice. You might damage the refrigerant tubes. Leaking refrigerant may cause eye injuries or ignite.
- Do not store products which contain flammable propellant (e.g. spray cans) or explosive substances in the appliance. Risk of explosion!
- Do not stand on or lean heavily against the base of the appliance, drawers, doors, etc.
- For defrosting and cleaning, pull out the mains plug or switch off the fuse. Do not pull out the mains plug by tugging on the power cord.
- Store high-percentage alcohol tightly sealed and in an upright position.
- Keep plastic parts and the door seal free of oil and grease. Otherwise, plastic parts and the door seal will become porous.

- Never cover or block the ventilation openings of the appliance.

- **Avoiding placing children and vulnerable people at risk:**

At risk here are children, people who have limited physical, mental or sensory abilities, as well as people who have inadequate knowledge concerning safe operation of the appliance.

Check that children and vulnerable people have understood the hazards.

A person responsible for safety must supervise or instruct children and vulnerable people who are using the appliance.

Only children aged 8 years and above may use the appliance.

Supervise children while the appliance is being cleaned or maintained.

Never allow children to play with the appliance.

- Do not store bottled or canned liquids (especially carbonated drinks) in the freezer compartment. Bottles and cans may burst!
- Never put frozen food straight from the freezer compartment in your mouth.
Risk of low-temperature burns!
- Avoid prolonged touching of frozen food, ice or the evaporator pipes, etc.
Risk of low-temperature burns!

Children in the household

- Keep children away from packaging and its parts.
Danger of suffocation from folding cartons and plastic film!
- Do not allow children to play with the appliance!
- If the appliance features a lock:
keep the key out of the reach of children!

General regulations

The appliance is suitable

- for refrigerating and freezing food,
- for making ice.

This appliance is intended for use in the home and the home environment.

The refrigeration circuit has been checked for leaks.

This appliance complies with the relevant safety regulations for electrical appliances and is fitted with noise suppression.

This appliance is intended for use up to a maximum height of 2000 metres above sea level.

Information concerning disposal

Disposal of packaging

The packaging protects your appliance from damage during transit. All utilised materials are environmentally safe and recyclable. Please help us by disposing of the packaging in an environmentally friendly manner.

Please ask your dealer or inquire at your local authority about current means of disposal.

Disposal of your old appliance

Old appliances are not worthless rubbish! Valuable raw materials can be reclaimed by recycling old appliances.



This appliance is labelled in accordance with European Directive 2012/19/EU concerning used electrical and electronic appliances (waste electrical and electronic equipment - WEEE). The guideline determines the framework for the return and recycling of used appliances as applicable throughout the EU.

Warning

Redundant appliances

1. Pull out the mains plug.
2. Cut off the power cord and discard with the mains plug.
3. Do not take out the trays and receptacles: children are therefore prevented from climbing in!
4. Do not allow children to play with the appliance once it has spent its useful life. Danger of suffocation!

Refrigerators contain refrigerant and gases in the insulation. Refrigerant and gases must be disposed of professionally. Ensure that tubing of the refrigerant circuit is not damaged prior to proper disposal.

Scope of delivery

After unpacking all parts, check for any damage in transit.

If you have any complaints, please contact the dealer from whom you purchased the appliance or our customer service.

The delivery consists of the following parts:

- Free-standing appliance
- Interior fittings (depending on model)
- Bag containing installation materials
- Operating instructions
- Installation manual
- Customer service booklet
- Warranty enclosure
- Information on the energy consumption and noises

Installation location

A dry, well ventilated room is suitable as an installation location. The installation location should not be exposed to direct sunlight and not placed near a heat source, e.g. a cooker, radiator, etc. If installation next to a heat source is unavoidable, use a suitable insulating plate or observe the following minimum distances from the heat source:

- 3 cm to electric or gas cookers.
- 30 cm to an oil or coal-fired cooker.

The floor of the installation location must not give way; if required, reinforce floor. If the floor is uneven, compensate with supports.

Distance from wall

When installing the appliance, ensure that the door can be opened by 90°.

Observe ambient temperature and ventilation

Ambient temperature

The appliance is designed for a specific climate class. Depending on the climate class, the appliance can be operated at the following temperatures.

The climate class can be found on the rating plate. Fig. 14

Climate class	Permitted ambient temperature
SN	+10 °C to 32 °C
N	+16 °C to 32 °C
ST	+16 °C to 38 °C
T	+16 °C to 43 °C

Note

The appliance is fully functional within the room temperature limits of the indicated climatic class. If an appliance of climatic class SN is operated at colder room temperatures, the appliance will not be damaged up to a temperature of +5 °C.

Ventilation

Fig. 2

The air on the rear panel and on the side panels of the appliance heats up. Conduction of the heated air must not be obstructed. Otherwise, the refrigerating unit must work harder. This increases power consumption. Therefore: Never cover or block the ventilation openings!

Connecting the appliance

After installing the appliance, wait at least 1 hour until the appliance is switched on. During transportation the oil in the compressor may have flowed into the refrigeration system.

Before switching on the appliance for the first time, clean the interior of the appliance (see chapter “Cleaning the appliance”).

Electrical connection

The socket must be near the appliance and also freely accessible following installation of the appliance.

Warning

Risk of electric shock!

If the length of the mains cable is inadequate, never use multiple sockets or extension leads. Instead, please contact Customer Service for alternatives.

The appliance complies with protection class I. Connect the appliance to 220–240 V/50 Hz alternating current via a correctly installed socket with protective conductor. The socket must be protected by a 10 A to 16 A fuse.

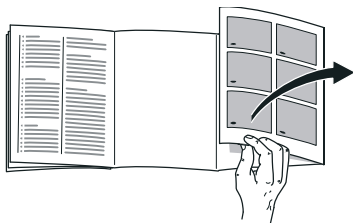
For appliances operated in non-European countries, check whether the indicated voltage and current type match the values of your electricity supply. This information can be found on the rating plate, Fig. 14.

Warning

Never connect the appliance to electronic energy saver plugs.

Our appliances can be used with mains and sine-controlled inverters. Mains-controlled inverters are used for photovoltaic systems which are connected directly to the national grid. Sine-controlled inverters must be used for isolated applications (e.g. on ships or in mountain lodges) which are not connected directly to the national grid.

Getting to know your appliance



Please fold out the illustrated last page. These operating instructions refer to several models.

The features of the models may vary.

The diagrams may differ.

Fig. **1**

* Not all models.

A Freezer compartment

B Refrigerator compartment

1–16 Controls

17* Butter and cheese compartment

18 Shelf for large bottles

19* Ice maker

20 Light (LED)

21* Breakfast set

22* Bottle shelf

23* Vario shelf

24 Cold storage compartment

25 Vegetable container with humidity control

26* Ethylene absorber

Controls

Fig. **4**

1 **Temperature display freezer compartment**

The numbers correspond to the set freezer compartment temperatures in °C.

2 **Display – ALARM –**

This lights up if the freezer compartment is too warm or if the freezer compartment door is open too long.

3 **Display superfreeze**

This lights up if super freezing is in operation.

4 **Temperature display refrigerator compartment**

The numbers correspond to the set refrigerator compartment temperatures in °C.

5 **Alarm display**

This lights up if the refrigerator compartment door is open too long.

6 **Display supercool**

This lights up if super cooling is in operation.

7 **Display fresh**

This lights up when the freshness mode is switched on.

8 **Display**

This lights up when the vacation mode is switched on.

9 **Button mode**

Selecting the special functions.

10 **Eco mode indicator**

This lights up when the eco mode is switched on.

11 **freezer/fridge button to select a section**

Used to select a section. This is necessary to change its temperature or to switch on certain special functions.

12 **Setting buttons +/-**

The buttons are used to set the temperatures of the refrigerator and freezer compartment.

13 **Status indicator**

Lights up red if an alarm is active. This happens if the appliance gets too hot inside.


Lights up white when the control panel switches to standby mode.

14 **lock button**

Switches the button lock function on. If this function is switched on, no settings are possible via the controls.

15 **Button lock function display**

Indicates whether the button lock is switched on or off.

 The control panel is locked.

 The control panel is unlocked.

16 **Super button**

Used to switch on the functions supercool (fridge compartment) and superfreeze (freezer compartment).

Switching on the appliance

1. First insert the plug into the connection on the back of the appliance. Check that the plug has been inserted all the way.
2. Then insert the other end of the cable into the socket.

The appliance is now switched on and a warning signal sounds.

Press the freezer/fridge button to switch off the audible warning signal.

The – ALARM – display goes out when the appliance has reached the set temperature.

The preset temperatures are reached after several hours. Do not put any food in the appliance beforehand.

The factory has recommended the following temperatures:

- Freezer compartment: -18 °C
- Refrigerator compartment: +4 °C

Operating tips

- After the appliance has been switched on, it may take several hours until the set temperatures have been reached.
- The fully automatic NoFrost system ensures that the freezer section remains free of ice. Defrosting is no longer required.
- If the door cannot be immediately reopened after it has been closed, wait until the resulting low pressure has equalised.
- The front and side panels of the housing are partly heated slightly. This prevents condensation from forming.

Setting the temperature

Fig. 4

Refrigerator section

The temperature can be set from +2°C to +8°C.

1. Select the refrigerator section using the freezer/fridge button.
2. Keep pressing the +/- buttons until the required temperature is indicated.

Perishable food should not be stored above +4 °C.

Freezer compartment

The temperature can be set from -16°C to -24°C.

1. Select the freezer compartment using the freezer/fridge button.
2. Keep pressing the +/- buttons until the required temperature is indicated.

Special functions

Fig. 4

Fresh mode

Fresh mode gives food an even longer shelf life.

Switching on:

Press mode button repeatedly until the fresh display is underlined.

The appliance sets the following temperatures automatically:

- Refrigerator section: +2 °C
- Freezer section: remains unchanged

Switching off:

Press mode button repeatedly until no mode is underlined.

Eco mode

Eco mode switches the appliance to energy-saving operation.

Switching on:

Press mode button repeatedly until the 10 display is underlined.

The appliance sets the following temperatures automatically:

- Refrigerator section: +8 °C
- Freezer section: -16 °C

Switching off:

Press mode button repeatedly until no mode is underlined.


Holiday mode

If leaving the appliance for a long period of time, you can switch the appliance over to the energy-saving holiday mode.

The temperature of the refrigerator compartment is automatically switched to +14 °C.

Do not store any food in the refrigerator compartment during this time.

Switching on:

Press mode button repeatedly until the  display is underlined.

The appliance sets the following temperatures automatically:


- Refrigerator section: +14 °C
- Freezer section: remains unchanged

Switching off:

Press mode button repeatedly until no mode is underlined.


Button lock function

To switch the button lock on, press **lock** button for 3 seconds.

When the function is switched on, the  display lights up.

The control panel is now locked and so protected against unintentional operation.

To switch the button lock off, press **lock** button for 3 seconds.

The  display lights up when the function is switched off.

The control panel is now unlocked.

Alarm function

In the following cases an alarm may be actuated.

Door alarm

The door alarm switches on and – ALARM – appears in the refrigerator compartment temperature display 4 or in the freezer compartment temperature display 1 if the door of the compartment is left open too long. Close the door of the compartment to switch off the door alarm.

Temperature alarm

The temperature alarm switches on if the appliance gets too hot inside and the food is at risk of thawing. An interval tone sounds and – ALARM – appears on the temperature display of the freezer compartment 1.

A temperature alarm may occur in these situations:

- Starting up the appliance for the first time
Do not store any food until the appliance has reached the set temperature.
- Storing large quantities of fresh food in the appliance
Switch on super freezing before storing large quantities of fresh food. Avoid contact between fresh food and food that is already frozen.
- Appliance door is open for a very long time
Check whether food has defrosted at all. Do not refreeze food after it has defrosted, even if just partially.
- the appliance is being heated by a second refrigerator (side-by-side installation) or another heat source
Call customer service and ask them about ways of insulating your appliance.

Note

Do not refreeze thawing or thawed food. Only ready meals (boiled or fried) may be refrozen.

No longer store the frozen produce for the max. storage period.

The temperature display shows the warmest temperature reached in the freezer section. As soon as you switch the alarm off, the set temperature is displayed again.

Switching off the alarm

Press the freezer/fridge button to switch off the audible warning signal.

Usable capacity

Information on the usable capacity can be found inside your appliance on the rating plate. Fig. 14

Refrigerator compartment

The refrigerator compartment is the ideal storage location for meat, sausage, fish, dairy products, eggs, ready meals and pastries.

Storing food

- Store fresh, undamaged food. The quality and freshness will then be retained for longer.
- In the case of ready-made products and bottled goods, observe the best-before date or use-by date specified by the manufacturer.
- To retain aroma, colour and freshness, pack or cover food well before placing in the appliance. This will prevent the transfer of flavours and the discolouration of plastic parts in the refrigerator compartment.
- Allow warm food and drinks to cool down before placing in the appliance.

Note

Do not block air outlet openings with food, otherwise the air circulation will be impaired. Food which is stored directly in front of the air outlet openings may be frozen by the cold air flowing out.

Note the chill zones in the refrigerator compartment

The air circulation in the refrigerator compartment creates different chill zones:

- The coldest zones are in front of the air outlet openings and in the chill compartment, Fig. 11/24.

Note

Store perishable food (e.g. fish, sausage, meat) in the coldest zones.

- Warmest zone is at the very top of the door.

Note

Store e.g. hard cheese and butter in the warmest zone. The aroma of hard cheese can then continue to develop and butter remains spreadable.

Vegetable container with humidity control

Fig. 10

To create the optimum storage climate for fruit and vegetables, you can set the humidity level in the vegetable container:

- Mainly vegetables as well as for a mixed or small load – high air humidity
- Mainly fruit as well as for a large load – low air humidity

Notes

- Fruit sensitive to cold (e.g. pineapple, banana, papaya and citrus fruit) and vegetables sensitive to cold (e.g. aubergines, cucumbers, zucchini, peppers, tomatoes and potatoes) should be stored outside the refrigerator at temperatures of approx. +8 °C to +12 °C for optimum preservation of quality and flavour.
- Condensation may form in the vegetable container depending on the type and quantity of products stored. Remove condensation with a dry cloth and adjust air humidity in the vegetable container with the humidity controller.

Cold storage compartment

Fig. 8

The cold storage compartment has lower temperatures than the refrigerator compartment. Even temperatures below 0 °C may occur.

Ideal for storing fish, meat and sausage. Not suitable for lettuce and vegetables and produce sensitive to cold.

The temperature of the chill compartments can be varied using the ventilation opening. Push temperature controller upwards to reduce the temperature. Push temperature controller downwards to increase the temperature.

Fig. 9

Super cooling

Super cooling sets the refrigerator temperature to the coldest temperature setting for approx. 6 hours. Then the appliance automatically switches to the temperature set prior to super cooling mode.

Switch on super cooling mode, e.g.

- before placing large quantities of food in the refrigerator compartment.
- for the fast cooling of drinks.

Switching on and off

Press super button to switch on the functions super freezing > super freezing and the functions super cooling > super cooling consecutively. Press super button again to stop the super function.

Note

When the super function is switched on, there may be increased operating noise.

Freezer compartment

Use the freezer compartment

- To store deep-frozen food.
- To make ice cubes.
- To freeze food.

Note

Ensure that the freezer compartment door has been closed properly. If the door is open, the frozen food will thaw. The freezer compartment will become covered in thick ice. Also: waste of energy due to high power consumption!

Freezing capacity

Information on the freezing capacity can be found on the rating plate. Fig. 14

Freezing and storing food

Purchasing frozen food

- Packaging must not be damaged.
- Use by the "use by" date.
- Temperature in the supermarket freezer must be -18 °C or lower.
- If possible, transport deep-frozen food in a cool bag and place quickly in the freezer compartment.

Freezing fresh food

Freeze fresh and undamaged food only.

To retain the best possible nutritional value, flavour and colour, vegetables should be blanched before freezing.

Aubergines, peppers, zucchini and asparagus do not require blanching.

Literature on freezing and blanching can be found in bookshops.

Note

Keep food which is to be frozen away from food which is already frozen.

- The following foods are suitable for freezing:
Cakes and pastries, fish and seafood, meat, game, poultry, vegetables, fruit, herbs, eggs without shells, dairy products such as cheese, butter and quark, ready meals and leftovers such as soups, stews, cooked meat and fish, potato dishes, soufflés and desserts.
- The following foods are not suitable for freezing:
Types of vegetables, which are usually consumed raw, such as lettuce or radishes, eggs in shells, grapes, whole apples, pears and peaches, hard-boiled eggs, yoghurt, soured milk, sour cream, crème fraîche and mayonnaise.

Packing frozen food

To prevent food from losing its flavour or drying out, place in airtight containers.

1. Place food in packaging.
2. Remove air.
3. Seal the wrapping.
4. Label packaging with contents and date of freezing.

Suitable packaging:

Cling wrap, tubular film made of polyethylene, aluminium foil, freezer containers.

These products are available from specialist outlets.

Unsuitable packaging:

Wrapping paper, greaseproof paper, cellophane, bin liners and used shopping bags.

Items suitable for sealing packaged food:

Rubber bands, plastic clips, string, cold-resistant adhesive tape, etc.

Bags and tubular film made of polyethylene (PE) can be sealed with a film heat sealer.

Shelf life of frozen food

Storage duration depends on the type of food.

At a temperature of -18 °C:

- Fish, sausage, ready meals and cakes and pastries:
up to 6 months
- Cheese, poultry and meat:
up to 8 months
- Vegetables and fruit:
up to 12 months

Super freezing

Food should be frozen solid as quickly as possible in order to retain vitamins, nutritional value, appearance and flavour.

Several hours before placing fresh food in the freezer compartment, switch on super freezing to prevent an unwanted temperature rise.

As a rule, 4–6 hours is adequate.

This appliance runs constantly and the freezer compartment drops to a very low temperature.

If the max. freezing capacity is to be used, super freezing must be switched on for 24 hours before the fresh produce is placed in the freezer compartment.

Smaller quantities of food (up to 2 kg) can be frozen without “super freezing”.

Note

When super freezing is switched on, increased operating noises may occur.

Switching on and off

Press super button to switch on the functions super freezing > super freezing and the functions super cooling > super cooling consecutively. Press super button again to stop the super function.

Note

When the super function is switched on, there may be increased operating noise.

Automatic switch-off

You do not need to switch off super freezing. The previously set temperature will be automatically restored after around 2½ days.

Thawing frozen food

Depending on the type and application, select one of the following options:

- at room temperature
- in the refrigerator
- in an electric oven, with/without fan assisted hot-air
- in the microwave



Caution

Do not refreeze thawing or thawed food. Only ready meals (boiled or fried) may be refrozen.

No longer store the frozen produce for the max. storage period.

Interior fittings

Shelves and containers

You can reposition the inner shelves and the containers in the door as required: pull shelf forwards, lower and swivel out to the side. Lift the container and remove.

Special features

(not all models)

Butter and cheese compartment

To open the butter compartment, gently press in the middle of the butter compartment flap.

To clean the compartment, lift it at the bottom and take out.

Breakfast set

Fig. 6

The containers for the breakfast set can be taken out and filled individually.

You can take out the breakfast set for loading and unloading. To do this, lift the breakfast set and pull out. The container holder can be moved.

Bottle shelf

Fig. 5

Bottles can be stored securely on the bottle shelf.

Variable shelf

Fig. 7

Use the variable shelf to store tall items like tins or bottles on the shelf below. You can pull the right-hand section of the variable shelf forwards, lower and push it underneath the left-hand section of the shelf.

Ice cube tray

Fill the ice cube tray $\frac{3}{4}$ full of drinking water and place in the freezer compartment.

If the ice tray is stuck to the freezer compartment, loosen with a blunt implement only (spoon-handle).

To loosen the ice cubes, twist the ice tray slightly or hold briefly under flowing water.

Ice maker

Fig. 11

1. Take out the ice cube tray.
2. Fill the ice cube tray $\frac{3}{4}$ full with drinking water.
3. Re-insert the ice cube tray.
4. When the ice cubes are frozen, rotate the knob on the ice cube tray several times to the right and release.
The ice cubes loosen and fall into the storage container.
5. Remove the ice cubes from the storage container.

Ethylene absorber

Note

For important safety instructions and information about installation and use, see the enclosed installation and operating instructions for the ethylene absorber.

The ethylene absorber slows down ripening of ethylene-sensitive fruit and vegetables to keep them fresher for longer.

1. Insert the timer in the housing at the front and push in the timer button.
The timer is now activated for 6 months.

- Remove both sachets from the packaging and insert them inside in the holders on the rear of the housing.

Note

Do not open the sachets.

- Stick an adhesive strip in the external pre-assembled holder and secure the ethylene absorber on the side in the upper section of the vegetable container.

Both sachets and the timer must be replaced every 6 months after activation.

Spare parts sets with sachets and timers can be purchased from Customer Service or the company website.

Sticker “OK”

(not all models)

The sticker “OK” lets you check whether the refrigerator compartment achieves the safe temperature ranges of +4 °C or colder recommended for food. If the sticker does not indicate “OK”, gradually reduce the temperature.

Note

When the appliance is switched on, it may take up to 12 hours until the set temperature is reached.



Correct setting

Switching off and disconnecting the appliance

Switching off the appliance

Press "+" button for 10 seconds. The refrigeration unit switches off.

Press "+" button for 10 seconds to switch on the refrigeration unit again.

Disconnecting the appliance

If you do not use the appliance for a prolonged period:

- Pull out the mains plug or switch off the fuse.
- Clean the appliance.
- Leave appliance doors open.

Note

To avoid damage to the appliance, appliance doors must be opened far enough that they remain in that position on their own. Do not jam any objects into the door to prop it open.

Cleaning the appliance

Caution

- Do not use abrasive, chloride or acidic cleaning agents or solvents.
- Do not use scouring or abrasive sponges.
The metallic surfaces could corrode.
- Never clean shelves and containers in the dishwasher.
The parts may become deformed!

The cleaning water must not get into the following areas:

- Controls
- Illumination
- Ventilation openings
- Openings in the separating plate

Proceed as follows:

1. Pull out the mains plug or switch off the fuse.
2. Take out the frozen food and store in a cool location. Place ice pack (if available) on the food.
3. The rinsing water must not drip into the controls, lighting, ventilation openings or the openings in the partition!
Clean the appliance with a soft cloth, lukewarm water and a little pH-neutral washing-up liquid.
4. Wipe the door seal with clear water only and then wipe dry thoroughly.
5. After cleaning reconnect the appliance.
6. Put the frozen food back into the appliance.

Interior fittings

All variable parts of the appliance can be taken out for cleaning.

Take out shelves in the door

Fig. **3**

Lift shelves upwards and take out.

Take out glass shelves

Pull the glass shelves forwards and take out.

Removing the container

Fig. **8**

Pull out the container all the way, lift at the front and remove.

Taking out glass shelf above vegetable container

Fig. **13**

The glass shelf can be taken out and disassembled for cleaning.

Note

Before taking out the glass shelf, pull out vegetable container.

Cleaning the ice maker

Clean the ice maker regularly. This will prevent ice cubes, which were made quite a long time ago, from shrinking, having a stale taste or sticking together.

Fig. **12**

1. Remove and empty the ice cube tray and storage container.
2. Press the push-button to release the ice maker from the holder.
3. Remove the ice maker.
4. Lift the rear end of the holder and lower behind the glass plate.
5. Remove the holder towards the front.
6. Clean all parts of the ice maker with warm water.
7. Allow all parts to dry completely.
8. Assemble the ice maker in reverse order and insert.

Light (LED)

Your appliance features a maintenance-free LED light.

These lights may be repaired by customer service or authorised technicians only.

Tips for saving energy

- Install the appliance in a dry, well ventilated room! The appliance should not be installed in direct sunlight or near a heat source (e.g. radiator, cooker).
If required, use an insulating plate.
- Allow warm food and drinks to cool down before placing in the appliance.
- Thaw frozen food in the refrigerator compartment and use the low temperature of the frozen food to cool refrigerated food.
- Open the appliance as briefly as possible.
- To achieve the lowest energy consumption, leave a small wall gap at the side.
- Do not block the ventilation openings in the appliance.
- Do not remove or relocate the upper glass shelf.

Operating noises

Quite normal noises

Note

When super freezing is switched on, increased operating noises may occur.

Droning

Motors are running (e.g. refrigerating units, fan).

Bubbling, humming or gurgling noises

Refrigerant is flowing through the tubing.

Clicking

Motor, switches or solenoid valves are switching on/off.

Cracking

Automatic defrosting is running.

Sizzling

The NoFrost system defrosts, water droplets evaporate.

Preventing noises

The appliance is not level

Please align the appliance with a spirit level. Use the height-adjustable feet or place packing underneath them.

The appliance is not free-standing

Please move the appliance away from adjacent units or appliances.

Containers or storage areas wobble or stick

Please check the removable parts and re-insert them correctly if required.

Bottles or receptacles are touching each other

Move the bottles or receptacles slightly away from each other.

Eliminating minor faults yourself

Before you call customer service:

Please check whether you can eliminate the fault yourself based on the following information.

Customer service will charge you for advice – even if the appliance is still under guarantee!

Fault	Possible cause	Remedial action
Temperature differs greatly from the set value.		<p>In some cases it is adequate to switch off the appliance for 5 minutes.</p> <p>If the temperature is too high wait a few hours and check whether the temperature has approached the set value.</p> <p>If the temperature is too low check the temperature again the next day.</p>
It is too cold in the refrigerator section or in the chill compartment.		<p>Increase the temperature in the refrigerator section.</p> <p>Push temperature controller for the chill compartment downwards. Fig. 9</p>
The temperature in the freezer section is too warm.	Appliance opened frequently.	Do not open the appliance unnecessarily.
	The ventilation openings have been covered.	Remove obstructions.
	Large quantities of fresh food are being frozen.	Do not exceed the freezing capacity.
Appliance is not cooling, temperature display and light are lit up.	Showroom mode is switched on.	<p>Press and hold freezer/fridge button for 15 seconds.</p> <p>"77" appears briefly on the control panel.</p> <p>After a short time check whether your appliance is cooling.</p>
The side panels of the appliance are warm.	Pipes run into the side panels which heat during the cooling process.	<p>That is normal behaviour for the appliance and not a fault.</p> <p>Furniture touching the appliance will not be damaged by the heat.</p>

Fault	Possible cause	Remedial action
The appliance displays a temperature alarm for no apparent reason.	<p>A heat source is located too close to the appliance.</p> <p>A second refrigerator is located right next to the appliance (side-by-side installation).</p>	Call customer service.
The light does not function.	The LED light is defective.	See chapter "Light (LED)" section.
	<p>Appliance was open too long.</p> <p>Light is switched off after approx. 10 min.</p>	When the appliance is closed and opened, the light is on again.
Displays do not illuminate.	Power failure; the fuse has been switched off; the mains plug has not been inserted properly.	Connect mains plug. Check whether the power is on, check the fuses.
Freezer compartment door was open for a long time; temperature is no longer reached.	The evaporator (refrigeration generator) in the NoFrost system is covered in thick ice and can no longer be defrosted fully automatically.	<p>To defrost the evaporator, remove the frozen food with the compartments, insulate well and store in a cool location.</p> <p>Switch off the appliance and move it away from the wall. Leave the appliance door open. After approx. 20 min. the condensation begins to run into the evaporation pan, at the rear of the appliance.</p> <p>To prevent the evaporation pan from overflowing in this case, mop up the condensation with a sponge.</p> <p>The evaporator is defrosted when the water stops running into the evaporation pan. Clean the interior. Switch the appliance back on again.</p>
Condensation accumulates on the surface of the appliance and on the shelves inside.	The effect is reinforced if ambient temperatures are warm and humid.	<p>Wipe away the water with a soft, dry cloth.</p> <ul style="list-style-type: none"> ■ Open the appliance as briefly as possible ■ Make sure that the appliance is always closed properly.

Appliance self-test

Your appliance features an automatic self-test program which shows you sources of faults which may be repaired by customer service only.

Starting the appliance self-test

1. Pull out the appliance plug or switch off the fuse and wait 5 minutes.
2. Plug the appliance back in or switch on the fuse and within the first 2 minutes press and hold freezer/fridge button for 3 seconds until an audible signal sounds.

The self-test programme will start.

If the self-test ends and an audible signal sounds twice, your appliance is in working order.


If 5 audible signals sound, there is an error. Notify customer service.

Ending the appliance self-test

When the programme has ended, the appliance switches over to normal operation.

Customer service

Your local customer service can be found in the telephone directory or in the customer service index. Please give customer service the product number (E-Nr.), the production number (FD) and the consecutive numbering (Z-Nr.) of the appliance.

This information can be found on the rating plate. 

This way you will help to prevent unnecessary callouts and save the associated additional costs.

Repair order and advice on faults

Contact information for all countries can be found on the enclosed customer service list.

GB	0344 892 8979	Calls charged at local or mobile rate.
IE	01450 2655	0.03 € per minute at peak. Off peak 0.0088 € per minute.
US	800 944 2904	toll-free

Prescriptions- d'hygiène-alimentaire

Chère cliente, cher client,
conformément à la réglementation française visant à empêcher la présence de listeria dans le compartiment réfrigérateur, nous vous remercions de respecter les consignes suivantes :

- Nettoyez fréquemment le compartiment intérieur du réfrigérateur à l'aide d'un détergent non agressif, ne provoquant pas d'oxydation des pièces métalliques (utilisez par ex. de l'eau tiède additionnée d'un peu de produit à vaisselle).

Ensuite, désinfectez avec de l'eau additionnée de vinaigre ou de jus de citron les surfaces que vous avez préalablement nettoyées, ou utilisez un produit germicide en vente dans le commerce et adapté aux réfrigérateurs (avant d'utiliser ce produit sur les pièces métalliques, faites un test de compatibilité à un endroit peu visible).

- Enlevez les emballages commerciaux avant de mettre les produits alimentaires dans le compartiment réfrigérateur (par ex. le carton qui réunit les pots de yaourt).
- Pour éviter toute contamination entre des produits alimentaires de nature différente, rangez-les bien séparés les uns des autres, bien emballés ou rangés dans des récipients à couvercle.

- Avant de préparer des plats et de saisir des produits alimentaires, lavez-vous les mains. Avant de préparer d'autres plats, lavez-vous à nouveau les mains. Lavez-les encore une fois avant de prendre un repas.
- Lavez les ustensiles de cuisine dont vous venez de vous servir avant de les réutiliser (cuillère en bois, planche de découpe, couteau de cuisine, etc.).

Consignes de sécurité et avertissements

Avant de mettre l'appareil en service

Veillez lire attentivement et entièrement les informations figurant dans les notices d'utilisation et de montage. Elle contiennent des remarques importantes concernant l'installation, l'utilisation et l'entretien de l'appareil.

Le fabricant décline toute responsabilité si les consignes et mises en garde contenues dans la notice d'utilisation ne sont pas respectées. Veillez conserver ces documents en vue d'une réutilisation ultérieure ou pour le cas où l'appareil changerait de propriétaire.

Sécurité technique



Risque d'incendie

Dans les tubulures du circuit frigorifique circule une petite quantité de fluide frigorigène respectueux de l'environnement mais combustible (R600a). Il n'abîme pas la couche d'ozone et n'accroît pas l'effet de serre. Le fluide frigorigène risque en fuyant de blesser les yeux ou de s'enflammer.

Si l'appareil est endommagé

- éloignez de l'appareil toute flamme nue ou source d'inflammation,
- aérez bien la pièce pendant quelques minutes,
- éteignez l'appareil puis débranchez la fiche mâle de la prise de courant,
- prévenez le service après-vente.

Plus l'appareil contient du fluide réfrigérant et plus grande doit être la pièce dans laquelle il se trouve. Dans les pièces trop petites, un mélange gaz-air inflammable peut se former en cas de fuite.

Comptez 1 m³ de volume minimum de la pièce pour 8 g de fluide réfrigérant. La quantité de fluide présente dans l'appareil est indiquée sur la plaque signalétique située à l'intérieur de ce dernier.

Lors de l'installation de l'appareil, veillez à ce que le cordon d'alimentation secteur ne soit pas coincé ni endommagé.

Si le cordon d'alimentation secteur de cet appareil a été endommagé, il faut confier son remplacement au fabricant, au service après-vente ou à une personne détenant des qualifications similaires. Les installations et réparations non effectuées dans les règles peuvent engendrer des risques considérables pour l'utilisateur.

Les réparations ne pourront être réalisées que par le fabricant, le service après-vente ou une personne détenant des qualifications similaires.

Il ne faut utiliser que les pièces d'origine du fabricant. Le fabricant ne garantit que les pièces d'origine car elles seules remplissent les exigences de sécurité.

N'utilisez pas de bloc multiprise, de rallonge ou d'adaptateur.



Risque d'incendie

Les blocs multiprises ou blocs secteur portables peuvent surchauffer et provoquer un incendie.

N'utilisez pas de blocs multiprises ni de blocs secteur portables derrière l'appareil.

Pendant l'utilisation

- N'utilisez jamais d'appareils électriques à l'intérieur de l'appareil (p. ex. appareils de chauffage, machine à glaçons, etc.). Risque d'explosion !
- Ne dégivrez ni ne nettoyez jamais l'appareil avec un nettoyeur à vapeur ! La vapeur risque d'atteindre des pièces électriques et de provoquer un court-circuit. Risque d'électrocution !
- Hormis les instructions du fabricant pour ne pas prendre des mesures supplémentaires pour accélérer le dégivrage. Risque d'explosion !
- Pour détacher le givre ou les couches de glace, n'utilisez jamais d'objets pointus ou présentant des arêtes vives. Vous risqueriez d'endommager les tubulures dans lesquelles circule le produit réfrigérant. Si le fluide réfrigérant jaillit, il peut provoquer des lésions oculaires ou s'enflammer.
- Ne stockez dans l'appareil ni produits contenant des gaz propulseurs inflammables (p. ex. bombes aérosols) ni produits explosifs. Risque d'explosion !

- Ne vous servez pas des socles, clayettes et portes comme marchepieds ou pour vous appuyer.
- Pour dégivrer et nettoyer l'appareil, débranchez la fiche mâle de la prise de courant ou retirez le fusible / désarmez le disjoncteur. Pour débrancher l'appareil, tirez sur la fiche mâle et non pas sur son cordon.
- Ne conservez les bouteilles de boissons fortement alcoolisées qu'hermétiquement fermées et debout.
- L'huile et la graisse ne doivent pas entrer en contact avec les parties en matières plastiques et le joint de porte. Ces derniers pourraient sinon devenir poreux.
- Ne recouvrez et n'obstruez jamais les orifices de ventilation de l'appareil.

- **Évitez des risques pour les enfants et les personnes vulnérables :**

Sont en danger les enfants et les personnes dont les capacités physiques, psychiques ou de perception sont restreintes, ainsi que les personnes ne détenant pas suffisamment de connaissances sur l'utilisation sûre de l'appareil.

Assurez-vous que les enfants et les personnes vulnérables ont bien compris la nature des dangers.

Une personne responsable de la sécurité doit surveiller ou guider les enfants et les personnes vulnérables lorsqu'elles se trouvent près de l'appareil.

Ne permettez l'utilisation de l'appareil qu'aux enfants de plus de 8 ans.

Surveillez les enfants pendant le nettoyage et la maintenance.

Ne laissez jamais des enfants jouer avec l'appareil.

- Dans compartiment congélation, ne stockez pas de liquides en bouteilles ou en boîtes (en particulier les boissons gazeuses). Les bouteilles et les boîtes pourraient éclater !
- Ne portez jamais des produits surgelés à la bouche immédiatement après les avoir sortis du compartiment congélation.
Risque d'engelures !
- Évitez tout contact prolongé des mains avec les produits congelés, la glace ou les tubes de l'évaporateur, etc.
Risque d'engelures !

Les enfants et l'appareil

- Ne confiez jamais l'emballage et ses pièces constitutives aux enfants.
Ils risquent de s'étouffer avec les cartons pliants et les feuilles de plastique !
- L'appareil n'est pas un jouet pour enfants !
- Appareils équipés d'une serrure :
rangez la clé hors de portée des enfants !

Dispositions générales

L'appareil convient pour

- réfrigérer et congeler des aliments,
- préparer des glaçons.

Cet appareil est destiné à un usage domestique dans un foyer privé, et à l'environnement domestique.

Le circuit frigorifique a subi un contrôle d'étanchéité.

Cet appareil est conforme aux dispositions de sécurité applicables aux appareils électriques et il est déparasité.

Cet appareil est conçu pour une utilisation jusqu'à une altitude maximale de 2 000 m.

Conseil pour la mise au rebut

Mise au rebut de l'emballage

L'emballage protège votre appareil contre les dommages susceptibles de survenir en cours de transport. Tous les matériaux qui le composent sont compatibles avec l'environnement et recyclables. Aidez-nous : à éliminer l'emballage dans le respect de l'environnement.

Pour connaître les circuits actuels de mise au rebut, adressez-vous s.v.p. à votre revendeur ou à l'administration de votre commune.



Éliminez l'emballage en respectant l'environnement.

Mise au rebut de l'ancien appareil

Les appareils usagés ne sont pas des déchets dénués de valeur ! Leur élimination dans le respect de l'environnement permet d'en récupérer de précieuses matières premières.



Cet appareil est marqué selon la directive européenne 2012/19/UE relative aux appareils électriques et électroniques usagés (waste electrical and electronic equipment - WEEE).

La directive définit le cadre pour une reprise et une récupération des appareils usagés applicables dans les pays de la CE.

Mise en garde

Avant de mettre au rebut l'appareil qui ne sert plus :

1. Débranchez sa fiche mâle.
2. Sectionnez son câble d'alimentation et retirez-le avec la fiche mâle.
3. Pour dissuader les enfants de grimper dans l'appareil, ne retirez pas les clayettes et les bacs !
4. Ne permettez pas aux enfants de jouer avec l'appareil lorsqu'il ne sert plus. Risque d'étouffement !

Les appareils réfrigérants contiennent du fluide réfrigérant. L'isolant contient des gaz. Il faut que le fluide réfrigérant et les gaz soient éliminés dans les règles de l'art. Jusqu'à l'enlèvement de l'appareil, veillez bien à ce que son circuit frigorifique ne soit pas endommagé.

Étendue des fournitures

Après avoir déballé, vérifiez toutes les pièces pour détecter d'éventuels dégâts dus au transport.

En cas de réclamation, veuillez vous adresser au revendeur auprès duquel vous avez acquis l'appareil ou auprès de notre service après-vente.

La livraison comprend les pièces suivantes :

- Appareil indépendant
- Équipement (selon le modèle)
- Sachet avec visserie de montage
- Notice d'utilisation
- Notice de montage
- Carnet de service après-vente
- Pièce annexe de la garantie

- Informations relatives à la consommation d'énergie et aux bruits

Lieu d'installation

Un local sec et aérable convient comme lieu d'installation. Il faudrait que le lieu d'installation ne soit pas directement exposé aux rayons solaires et pas à proximité d'une source de chaleur (cuisinière, radiateur, etc.).

Si l'installation à côté d'une source de chaleur est inévitable, veuillez utiliser un panneau isolant approprié ou respecter les écarts minimums suivants par rapport à la source de chaleur :

- 3 cm par rapport aux cuisinières électriques ou à gaz.
- 30 cm par rapport à un appareil de chauffage au fuel ou au charbon.

Sur l'emplacement, le sol ne doit pas s'affaisser. Renforcez-le le cas échéant. Placez des garnitures sous l'appareil pour compenser les inégalités du sol éventuelles.

Écart mural

Installez l'appareil de sorte à garantir un angle d'ouverture de porte de 90°.

Contrôler la température ambiante et l'aération

Température ambiante

L'appareil a été conçu pour une catégorie climatique précise. Suivant la catégorie climatique, l'appareil est utilisable dans les températures ambiantes suivantes.

La catégorie climatique de l'appareil figure sur sa plaque signalétique, Fig. 14.

Catégorie climatique	Température ambiante admissible
SN	+10 °C à 32 °C
N	+16 °C à 32 °C
ST	+16 °C à 38 °C
T	+16 °C à 43 °C

Remarque

L'appareil est entièrement fonctionnel à l'intérieur des limites de température ambiante prévues dans la catégorie climatique indiquée. Si un appareil de la catégorie climatique SN est utilisé à des températures ambiantes plus basses, il est possible d'exclure que l'appareil s'endommage jusqu'à une température de +5 °C.

Aération

Fig. 2

L'air situé contre la paroi arrière et les parois latérales de l'appareil s'échauffe. L'air chaud doit pouvoir s'échapper sans obstacle. S'il ne le peut pas, le groupe frigorifique doit fonctionner plus longtemps, ce qui augmente la consommation de courant. Pour cette raison, ne recouvrez ni et n'obstruez jamais les orifices d'aération de l'appareil.

Branchement de l'appareil

Après l'installation de l'appareil en position verticale, attendez au moins une heure avant de le mettre en service. Il peut en effet arriver, pendant le transport, que l'huile présente dans le compresseur se déplace vers le circuit frigorifique.

Avant la première mise en service, nettoyez le compartiment intérieur de l'appareil. (Voir le chapitre « Nettoyage de l'appareil ».)

Branchement électrique

La prise de courant doit être proche de l'appareil et demeurer librement accessible même après avoir installé ce dernier.

Mise en garde

Risque d'électrocution !

N'utilisez jamais de bloc multiprise ou de rallonge si la longueur du cordon d'alimentation secteur est insuffisante. Dans ce cas, contactez le service après-vente qui vous indiquera des alternatives.

L'appareil est conforme à la classe de protection I. Raccordez l'appareil au courant alternatif 220 – 240 V/50 Hz via une prise de courant installée dans les règles et comportant un fil de terre. La prise doit être protégée par un fusible de 10 A à 16 A.

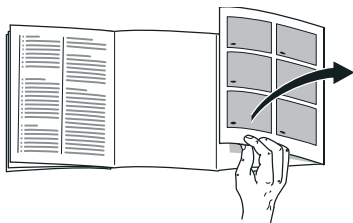
Sur les appareils utilisés dans des pays non européens, vérifiez si la tension et le type de courant indiqués correspondent aux valeurs de votre réseau électrique. Vous trouverez ces indications sur la plaque signalétique, Fig. 14.

Mise en garde

Il ne faut en aucun cas raccorder l'appareil à des fiches électroniques d'économie d'énergie.

Nos appareils peuvent être alimentés via des onduleurs pilotés par le secteur ou à pilotage sinusoïdal. Directement raccordées au réseau public, les installations photovoltaïques font appel à des onduleurs pilotés par le secteur. Dans les solutions en îlots (p. ex. sur les bateaux ou les refuges de montagne), ne disposant pas d'un raccordement direct au réseau électrique public, il faut utiliser des onduleurs à pilotage sinusoïdal.

Présentation de l'appareil



Veuillez déplier la dernière page, illustrée, de la notice. La présente notice d'utilisation vaut pour plusieurs modèles. L'équipement des modèles peut varier. Selon le modèle, l'appareil peut différer du contenu des illustrations.

Fig. 1


* Selon le modèle.



- A Compartiment congélateur
- B Compartiment réfrigérateur

- 1-16 Éléments de commande
- 17* Casier à beurre et à fromage
- 18 Clayette à grandes bouteilles
- 19* Distributeur de glaçons
- 20 Éclairage (LED)
- 21* Set petit-déjeuner
- 22* Clayette à bouteilles
- 23* Clayette rétractable (Vario)
- 24 Compartiment froid
- 25 Bac à légumes avec régulateur d'humidité
- 26* Absorbant d'éthylène

Éléments de commande

Fig. 4

- 1 **Affichage de la température régnant dans le compartiment congélateur**
Les chiffres correspondent aux températures °C réglées dans le compartiment congélateur.
- 2 **Affichage – ALARM –**
Est mis en valeur lorsque la température est trop élevée dans le compartiment congélateur ou si la porte du compartiment congélateur est restée trop longtemps ouverte.
- 3 **Affichage superfreeze**
Est mis en valeur lorsque la super-congélation est en service.
- 4 **Affichage de la température dans le compartiment réfrigérateur**
Les chiffres correspondent aux températures °C réglées dans le compartiment réfrigérateur.
- 5 **Affichage Alarm**
S'allume lorsque la porte du compartiment réfrigérateur est restée trop longtemps ouverte.
- 6 **Affichage supercool**
Est mis en valeur lorsque la super-réfrigération est en service.
- 7 **Affichage fresh**
Est mis en valeur lorsque le mode Fraîcheur est activé.
- 8 **Affichage** 
Est mis en valeur lorsque le mode vacances est activé.
- 9 **Touche mode**
Pour sélectionner les fonctions spéciales.
- 10 **Affichage eco mode**
Est mis en valeur lorsque le mode eco est activé.

- 11 **Touche freezer/fridge de sélection du compartiment**
Sert à sélectionner un compartiment. Nécessaire pour modifier sa température ou activer certaines fonctions spéciales.
- 12 **Touches de réglage + / -**
Les touches servent à régler les températures dans les compartiments réfrigérateur et congélateur.
- 13 **Affichage d'état**
S'allume en rouge lorsqu'une alarme est active. Cela se produit lorsque la température est trop élevée dans l'appareil.
S'allume en blanc lorsque le bandeau de commande se met en mode veille.
- 14 **Touche lock**
Active la fonction de verrouillage des touches. Si cette fonction a été enclenchée, impossible d'effectuer quelque réglage que ce soit par les éléments de commande.
- 15 **Affichage de la fonction de verrouillage des touches**
Indique si le verrouillage des touches est activé ou désactivé.
 Le bandeau de commande est verrouillé.
 Le bandeau de commande est déverrouillé.
- 16 **Touche Super**
Sert à allumer les fonctions supercool (compartiment réfrigérateur) et superfreeze (compartiment congélation).

Allumer l'appareil

- Commencez par brancher la fiche dans la prise située au dos de l'appareil. Vérifiez que la fiche est bien branchée.
- Branchez ensuite l'autre extrémité du câble dans la prise de courant.

L'appareil est maintenant allumé et une alarme sonore retentit.

Appuyez sur la touche freezer/fridge pour éteindre l'alarme sonore.

L'affichage – ALARM – s'éteint une fois que l'appareil a atteint la température réglée.

Les températures pré-réglées sont atteintes au bout de plusieurs heures. Pendant cette période, ne rangez pas de produits alimentaires dans l'appareil.

Le fabricant recommande les températures suivantes :

- Compartiment congélateur : -18 °C
- Compartiment réfrigérateur : +4 °C

Remarques relatives au fonctionnement

- Après sa mise en marche, l'appareil peut avoir besoin de plusieurs heures pour atteindre les températures réglées.
- Grâce au système NoFrost entièrement automatique, le compartiment congélateur ne se couvre pas de givre. Il n'est plus nécessaire de dégivrer.
- S'il n'est pas possible de rouvrir immédiatement la porte après l'avoir fermée, attendez un moment pour laisser à la dépression le temps de se résorber.

- Les surfaces frontales et les parois latérales du boîtier sont en partie légèrement chauffées. Ceci prévient la condensation.

Réglage de la température

Fig. 4

Compartiment réfrigérateur

La température est réglable entre +2 °C et +8 °C.

1. À l'aide de la touche freezer/fridge, choisissez le compartiment réfrigérateur.
2. Appuyez sur les touches « + / - » le nombre de fois voulu pour que la température souhaitée s'affiche.

Évitez de stocker les produits alimentaires délicats à une température supérieure à +4 °C.

Compartiment congélation

La température est réglable entre -16 °C et -24 °C.

1. À l'aide de la touche freezer/fridge, choisissez le compartiment congélation.
2. Appuyez sur les touches « + / - » le nombre de fois voulu pour que la température souhaitée s'affiche.

Fonctions spéciales

Fig. 4

Mode Fraîcheur

Le mode Fraîcheur permet de maintenir les produits alimentaires frais encore plus longtemps.

Activation :

Appuyez à plusieurs reprises sur la touche mode jusqu'à ce que l'affichage fresh soit souligné.

L'appareil règle automatiquement les températures suivantes :

- Compartiment réfrigérateur : + 2 °C
- Compartiment congélation : température inchangée

Désactivation :

Appuyez à plusieurs reprises sur la touche mode jusqu'à ce qu'aucun mode ne soit plus souligné.

Mode Eco

Le mode Eco permet de commuter l'appareil sur un mode de fonctionnement économe en énergie.

Activation :

Appuyez à plusieurs reprises sur la touche mode jusqu'à ce que l'affichage 10 soit souligné.

L'appareil règle automatiquement les températures suivantes :

- Compartiment réfrigérateur : +8 °C
- Compartiment congélation : -16 °C

Désactivation :

Appuyez à plusieurs reprises sur la touche mode jusqu'à ce qu'aucun mode ne soit plus souligné.


Mode Vacances

En cas d'absence prolongée, vous pouvez commuter l'appareil sur le mode Vacances, économie en énergie lui aussi.

Le compartiment réfrigérateur commute automatiquement sur une température de +14 °C.

Pendant cette période, ne rangez pas de produits alimentaires dans le compartiment réfrigérateur.

Activation :

Appuyez à plusieurs reprises sur la touche mode jusqu'à ce que l'affichage  soit souligné.

L'appareil règle automatiquement les températures suivantes :


- Compartiment réfrigérateur : +14 °C
- Compartiment congélation : température inchangée

Désactivation :

Appuyez à plusieurs reprises sur la touche mode jusqu'à ce qu'aucun mode ne soit plus souligné.

Fonction Lock de verrouillage des touches

Pour activer le verrouillage des touches, appuyez pendant 3 secondes sur la touche **lock**.

Lorsque la fonction est activée, l'affichage  s'allume.

Le bandeau de commande est désormais verrouillé et donc protégé contre les manipulations involontaires.

Pour désactiver le verrouillage des touches, appuyez pendant 3 secondes sur la touche **lock**.

Lorsque la fonction est désactivée, l'affichage  s'allume.

Le bandeau de commande est à présent déverrouillé.

Fonction alarme

Une alarme sonore peut se déclencher dans les cas suivants.

Alarme de porte

Lorsque la porte de l'appareil reste trop longtemps ouverte, l'alarme de porte se déclenche et – ALARM – apparaît sur l'affichage de la température du compartiment réfrigérateur 4 ou sur l'affichage de la température du compartiment congélateur 1. Le fait de refermer la porte correspondante éteint l'alarme relative à la porte.

Alarme de température

L'alarme de température s'active si la température a trop augmenté dans l'appareil, donc si les produits risquent de s'abîmer. Un signal intermittent est émis et l'affichage de la température du compartiment congélation 1 indique – ALARM –.

L'alarme de température peut être émise dans les situations suivantes :

- Mise en service de l'appareil
Attendez que l'appareil ait atteint la température réglée avant de ranger les produits.
- Rangement de grandes quantités de produits frais
Activez la supercongélation avant de ranger de grandes quantités de produits frais. Évitez tout contact entre les produits frais et les produits déjà congelés.

- Porte de l'appareil ouverte très longtemps
Vérifiez si les produits sont partiellement ou entièrement décongelés. Ne pas recongeler des produits partiellement ou entièrement décongelés.
- un deuxième réfrigérateur (installation côte à côte) ou une autre source de chaleur chauffe l'appareil
Appelez le Service après-vente et renseignez-vous au sujet des possibilités d'isolation de votre appareil.

Remarque

Ne remettez pas à congeler des produits alimentaires partiellement ou entièrement décongelés. Vous pourrez les recongeler uniquement après les avoir transformés en plats pré-cuisinés (par cuisson ou rôtissage).

N'utilisez pas la durée de conservation dans son intégralité.

L'affichage de température indique la température la plus élevée qui a régné dans le compartiment congélation. Dès que vous éteignez l'alarme, la température réglée s'affiche à nouveau.

Désactiver l'alarme

Appuyer sur la touche freezer/fridge pour éteindre l'alarme sonore.

Contenance utile

Vous trouverez les indications relatives à la contenance utile sur la plaque signalétique de votre appareil. Fig. 14

Le compartiment réfrigérateur

Le compartiment réfrigérateur est l'endroit idéal où ranger la viande, la charcuterie, le poisson, les produits laitiers, les œufs, les plats précuisinés et les pâtisseries.

Consignes de rangement

- Rangez des produits alimentaires frais et intacts. Ils conserveront ainsi plus longtemps leur qualité et leur fraîcheur.
- Produits tout prêts et liquides conditionnés : respectez la date de conservation minimum ou la date de consommation indiquée par le fabricant.
- Pour préserver l'arôme, la teinte et la fraîcheur, rangez les produits alimentaires bien emballés ou couverts. Vous éviterez de la sorte que des pièces en plastique transmettent le goût ou se décolorent dans le compartiment réfrigérateur.
- Attendez que les boissons et aliments chauds aient refroidi à la température de la pièce avant de les ranger dans l'appareil.

Remarque

Dans le compartiment réfrigérateur, veillez à ce que les produits alimentaires n'obstruent pas les orifices de sortie d'air car cela gênerait sa circulation. Les produits alimentaires rangés directement devant les orifices de sortie d'air peuvent geler au contact de l'air froid affluant.

Tenez compte des différentes zones froides dans le compartiment réfrigérateur

L'air circulant dans le compartiment réfrigérateur fait que des zones différemment froides apparaissent :

- Les zones les plus froides se situent devant les orifices de sortie d'air et dans le bac réfrigéré, Fig. 11/24.

Remarque

Dans la zone la plus froide, rangez les aliments délicats (par ex. le poisson, la charcuterie, la viande).

- Zone la moins froide elle se trouve complètement en haut, contre la porte.

Remarque

Rangez dans la zone la moins froide par ex. le fromage à pâte dure et le beurre. De la sorte, le fromage dur peut continuer de développer son arôme et le beurre demeure tartinable.

Bac à légumes avec régulateur d'humidité

Figure 10

Pour créer un climat de stockage optimal pour les fruits et légumes, vous pouvez régler l'humidité de l'air dans le bac à légumes :

- Principalement des légumes et appareil rempli de produits différents ou faiblement rempli – humidité de l'air élevée
- Principalement des fruits et appareil très rempli – humidité de l'air basse

Remarques

- Il est recommandé de ranger les fruits (par exemple ananas, bananes, papayes, agrumes) et légumes (par exemple les aubergines, concombres, courgettes, poivrons, tomates et pommes de terre) qui craignent le froid hors du réfrigérateur à des températures entre +8 °C à +12 °C pour en préserver la qualité et l'arôme.
- Suivant la quantité et la nature des produits stockés, de l'eau peu se condenser dans le bac à légumes. Retirez l'eau condensée avec un essuie-tout sec et ajustez l'humidité de l'air dans le bac à légumes via le régulateur d'humidité.

Compartiment froid

Fig. 8

Les températures régnant dans le compartiment froid sont plus basses que dans le compartiment réfrigérateur. Des températures inférieures à 0 °C peuvent également se manifester.

Idéal pour ranger le poisson, la viande et la charcuterie. Ne convient pas pour les salades, les légumes et les produits alimentaires qui craignent le froid.

Vous pouvez modifier la température des bacs réfrigérés en jouant sur l'ouverture d'aération. Pour réduire la température, déplacez le curseur de régulation de température vers le haut. Pour hausser la température, déplacez le curseur de régulation de température vers le bas.

Figure 9

Super-réfrigération

Pendant la super-réfrigération, la température dans le compartiment réfrigérateur descend le plus bas possible pendant env. 6 heures. Ensuite, l'appareil commute sur la température réglée avant que vous n'activiez la super-réfrigération.

Activez la super-réfrigération par exemple

- avant de ranger de grandes quantités d'aliments.
- avant de réfrigérer rapidement des boissons.

Activation et désactivation

Appuyez sur la touche super pour activer successivement les fonctions super-congélation > super-congélation et super-réfrigération > super-réfrigération. Appuyez à nouveau sur la touche super pour arrêter la fonction Super.

Remarque

Si vous avez activé la fonction Super, l'appareil peut fonctionner plus bruyamment.

Compartiment congélateur

Utilisation du compartiment congélateur

- Sert à ranger des produits surgelés.
- Sert à confectionner des glaçons.
- Pur congeler des produits alimentaires.

Remarque

Veillez à ce que la porte du compartiment congélateur soit correctement fermée ! Si cette porte reste ouverte, les produits surgelés dégèleront. Le compartiment congélateur se givre fortement. En outre : gaspillage d'énergie dû à une consommation élevée d'électricité !

Capacité de congélation

Sur la plaque signalétique, vous trouverez des indications concernant la capacité de congélation. Fig. 14

Congélation et rangement

Achats de produits surgelés

- Leur emballage doit être intact.
- Ne dépassez pas la date-limite de conservation.
- Il faut que la température dans le congélateur bahut du supermarché soit de -18 °C ou encore plus basse.
- Utilisez de préférence un sac isotherme pour le transport puis rangez les produits le plus rapidement possible dans le compartiment congélateur.

Congélation de produits frais

Pour congeler les aliments, n'utilisez que des aliments frais et d'un aspect impeccable.

Il faudrait blanchir les légumes avant de les congeler, pour préserver le mieux possible leur valeur nutritive, leur arôme et leur teinte. Il n'est pas nécessaire de blanchir les aubergines, poivrons, courgettes et asperges.

Vous trouverez en librairie toute une bibliographie sur la congélation et le blanchissement.

Remarque

Veillez à ce que les produits alimentaires à congeler n'entrent pas en contact avec des produits déjà congelés.

- Se prêtent à la congélation :
Pâtisseries, poissons et fruits de mer, viande de boucherie et gibier, volaille, fruits, légumes, herbes culinaires, œufs sans la coque, produits laitiers comme le fromage, le beurre et le fromage blanc, plats précuisinés et restes de plats tels que les soupes, ragouts, la viande et le poisson cuits, les plats aux pommes de terre, les soufflés et mets sucrés.
- Ne se prêtent pas à la congélation :
Variétés de légumes habituellement dégustées crues telles que la salade ou les radis, œufs dans leur coque, raisins, pommes, poires et pêches entières, œufs cuits durs, yaourt, lait caillé, crème acidulée, crème fraîche et mayonnaise.

Emballer les surgelés

L'air ne doit pas pénétrer dans l'emballage pour que les aliments ne perdent pas leur goût ni ne sèchent pas.

1. Placez les aliments dans l'emballage.
2. Presser pour chasser l'air.
3. Obturez l'emballage hermétiquement.
4. Indiquez sur l'emballage le contenu et la date de congélation.

Emballages adaptés :

Film en plastique, feuilles en polyéthylène, feuilles d'aluminium, boîtes de congélation.

Vous trouverez ces produits dans le commerce spécialisé.

Emballages inadaptés :

Papier d'emballage, papier sulfurisé, cellophane, sacs-poubelles et sachets d'achat déjà utilisés.

Moyens d'obturation adaptés :

Caoutchoucs, clips en plastique, ficelles, rubans adhésifs résistants au froid, ou assimilés.

Vous pouvez sceller les sachets ou boudins en polyéthylène avec une thermosoudeuse.

Durée de conservation des produits surgelés

La durée de conservation dépend de la nature des produits alimentaires.

Si la température a été réglée sur -18 °C :

- Poisson, charcuterie, plats pré-cuisinés, pâtisseries :
jusqu'à 6 mois
- Fromage, volaille, viande :
jusqu'à 8 mois
- Fruits et légumes :
jusqu'à 12 mois

Supercongélation

Il faudrait congeler les produits alimentaires à cœur le plus rapidement possible afin de préserver leurs vitamines, leur valeur nutritive, leur aspect et leur goût.

Pour empêcher une hausse indésirable de la température, allumez la supercongélation quelques heures avant de ranger des produits alimentaires frais. 4 à 6 heures suffisent généralement.

L'appareil fonctionne désormais en permanence. Le compartiment congélateur atteint une température très basse.

S'il faut utiliser la capacité de congélation maximale, il faut enclencher la supercongélation 24 heures avant de ranger des produits frais.

Si vous ne voulez congeler que de petites quantités d'aliments (jusqu'à 2 kg), vous n'avez pas besoin d'enclencher la supercongélation.

Remarque

Si vous avez activé la supercongélation, l'appareil peut fonctionner plus bruyamment.

Activation et désactivation

Appuyez sur la touche super pour activer successivement les fonctions super-congélation > super-congélation et super-réfrigération > super-réfrigération. Appuyez à nouveau sur la touche super pour arrêter la fonction Super.

Remarque

Si vous avez activé la fonction Super, l'appareil peut fonctionner plus bruyamment.

Désactivation automatique

Vous n'avez pas besoin de désactiver la super-congélation. Au bout d'environ 2 jours et demi, l'appareil commute automatiquement sur la température précédemment réglée.

Décongélation des produits

Selon la nature et l'utilisation des produits surgelés, vous pouvez choisir entre plusieurs possibilités :

- à la température ambiante,
- dans le réfrigérateur,
- dans le four électrique, avec / sans ventilateur à air chaud,
- dans le micro-ondes.

Attention

Ne remettez pas à congeler des produits alimentaires partiellement ou entièrement décongelés. Vous pourrez les recongeler uniquement après les avoir transformés en plats pré-cuisinés (par cuisson ou rôtissage).

Dans ce cas, consommez-les nettement avant la date limite de conservation.

Equipement

Clayettes et bacs

Vous pouvez modifier à volonté l'agencement des clayettes dans le compartiment et des bacs en contreporte : Tirez la clayette en avant, abaissez-la et faites-la basculer latéralement pour l'extraire. Soulevez le bac puis sortez-le.

Equipement spécial

(selon le modèle)

Casier à beurre et à fromage

Pour ouvrir le casier à beurre, il suffit d'appuyer légèrement au milieu de sa trappe.

Pour nettoyer le casier, soulevez-le par le bas et extrayez-le.

Set petit-déjeuner

Fig. **6**

Il est possible de sortir et garnir individuellement les récipients du set petit-déjeuner.

Vous pouvez sortir le set petit-déjeuner pour le remplir et le vider. Pour ce faire, soulevez le set petit-déjeuner et extrayez-le. Vous pouvez déplacer la fixation du récipient.

Clayette à bouteilles

Fig. 5

Cette clayette permet de ranger des bouteilles de manière sûre.

Rangement variable de la clayette

Figure 7

Utilisez le rangement variable de la clayette pour ranger sur la clayette située immédiatement en dessous des aliments réfrigérés hauts, par ex. pichets ou bouteilles. Vous pouvez tirer la portion droite de la clayette vers l'avant, l'abaisser et la pousser sous la portion gauche de la clayette.

Bac à glaçons

Remplissez le bac à glaçons aux $\frac{3}{4}$ d'eau potable puis rangez-le dans le compartiment congélateur.

Si le bac est resté collé dans le compartiment congélateur, n'utilisez qu'un instrument émoussé pour le décoller (un manche de cuiller par ex.).

Pour enlever les glaçons du bac, passez-le brièvement sous l'eau du robinet ou déformez légèrement le bac.

Fabrique de glace

Figure 11

1. Extrayez le bac à glaçons.
2. Remplissez le bac à glaçons aux $\frac{3}{4}$ avec de l'eau potable.
3. Remettez en place le bac à glaçons.
4. Lorsque les glaçons sont formés, tournez la poignée du bac à glaçons plusieurs fois vers la droite puis relâchez-la.

Les glaçons se détachent et tombent dans le bac à glace.

5. Sortez les glaçons du bac à glace.

Absorbeur d'éthylène

Remarque

Des consignes de sécurité importantes et des informations sur le montage et l'utilisation figurent dans la notice de montage et d'utilisation de l'absorbeur d'éthylène jointe.

L'absorbeur d'éthylène ralentit la maturation des fruits et légumes sensibles à l'éthylène afin de préserver leur fraîcheur plus longtemps.

1. Placez le garde-temps dans le boîtier à l'avant et appuyez sur le bouton du garde-temps.
Le garde-temps est activé pendant 6 mois.
2. Retirez les deux sachets de l'emballage et posez-les dans les supports à l'arrière dans le boîtier.

Remarque

N'ouvrez pas les sachets.

3. Collez un ruban adhésif sur la fixation externe prémontée et fixez l'absorbeur d'éthylène sur le côté, dans la partie supérieure du bac à légumes.

Les deux sachets et le garde-temps doivent être remplacés tous les 6 mois après l'activation.

Pour obtenir des ensembles de rechange avec sachets et garde-temps, adressez-vous à notre service après-vente ou rendez-vous sur notre site Web.

Autocollant « OK »

(selon le modèle)

L'autocollant « OK » vous permet de vérifier si les plages de températures sûres de +4 °C ou moins recommandées pour les aliments sont atteintes dans le compartiment réfrigérateur. Si l'autocollant n'indique pas « OK », abaissez progressivement la température.

Remarque

Après la mise en service de l'appareil, ce dernier peut nécessiter jusqu'à 12 heures pour atteindre la température réglée.



Réglage correct

Arrêt et remisage de l'appareil

Éteindre l'appareil

Appuyez sur la touche « + » pendant 10 secondes.

Le groupe frigorifique s'éteint.

Pour remettre le groupe frigorifique en marche, appuyez sur la touche « + » pendant 10 secondes.

Remisage de l'appareil

Si l'appareil doit rester longtemps sans servir :

1. Débranchez la fiche du secteur ou déconnectez le fusible.
2. Nettoyez l'appareil.
3. Laissez les portes de l'appareil ouvertes.

Remarque

Pour exclure tout endommagement de l'appareil, les portes de l'appareil doivent être ouvertes suffisamment grand pour rester ouvertes d'elles-mêmes. Ne coinciez aucun objet dans la porte pour la maintenir ouverte.

Nettoyage de l'appareil



Attention

- N'utilisez aucun produit de nettoyage ni aucun solvant contenant du sable, du chlorure ou de l'acide.
- N'utilisez jamais d'éponges abrasives ou susceptibles de rayer.
Des zones corrodées pourraient apparaître sur les surfaces métalliques.
- Ne nettoyez jamais les clayettes et les bacs au lave-vaisselle.
Ces pièces pourraient se déformer !

L'eau de nettoyage ne doit pas pénétrer dans les zones suivantes :

- Éléments de commande
- Éclairage
- Orifices de ventilation
- Orifices dans la plaque de séparation

Procédez comme suit :

1. Débranchez la fiche du secteur ou déconnectez le fusible.
2. Retirez les produits congelés et stockez-les dans un endroit frais. Posez un accumulateur de froid (si disponible) sur les produits alimentaires.
3. L'eau de rinçage ne doit pas pénétrer dans les éléments de commande, l'éclairage, les ouvertures d'aération ou les ouvertures de la plaque de séparation !
Nettoyez l'appareil avec un chiffon doux, de l'eau tiède et du produit vaisselle à pH neutre.
4. N'essuyez le joint de porte qu'avec de l'eau propre puis séchez-le soigneusement.
5. Après le nettoyage, rebranchez l'appareil.
6. Rangez à nouveau les produits congelés.

Équipement

Pour nettoyer, il est possible de retirer toutes les pièces variables de l'appareil.

Sortir les supports en contre-porte

Fig. **3**

Soulevez les supports et retirez-les.

Retirer les clayettes en verre

Tirez les clayettes en verre à vous puis extrayez-les.

Retirer le bac

Fig. **8**

Tirez le bac à vous jusqu'à la butée, soulevez-le à l'avant puis extrayez-le.

Extraire la clayette en verre au dessus du bac à légumes

Fig. **13**

Vous pouvez retirer et démonter la clayette en verre pour la nettoyer.

Remarque

Avant de retirer la clayette en verre, sortez d'abord le bac à légumes.

Nettoyer le distributeur de glaçons

Nettoyez le distributeur de glaçons régulièrement. Vous éviterez ainsi que les glaçons fabriqués il y a longtemps rapetissent, ait un goût de « ranci » ou collent entre eux.

Figure **12**

1. Retirez le réservoir de glaçons et le bac à glace, puis videz-les.
2. Appuyez sur la touche Push pour le retirer la fabrique à glace de son support.
3. Retirez la fabrique de glace.
4. Soulevez l'extrémité arrière du support, puis l'abaissez derrière la plaque de verre.
5. Retirez le support par l'avant.
6. Nettoyez toutes les pièces du distributeur de glaçons à l'eau chaude.

7. Faites sécher intégralement toutes les pièces.
8. Assemblez le distributeur de glaçons en remontant les étapes, puis mettez-le en place.

Éclairage (LED)

Votre appareil est équipé d'un éclairage par LED ne demandant pas d'entretien.

Les réparations de cet éclairage sont exclusivement réservées au service après-vente ou à des spécialistes autorisés.

Economies d'énergie

- Placez l'appareil dans un local sec et aérable. Veillez à ce que l'appareil ne soit pas directement exposé aux rayons solaires et qu'il ne se trouve pas à proximité d'une source de chaleur (par ex. radiateur, cuisinière).
Utilisez le cas échéant une plaque isolante.
- Attendez que les plats chauds aient refroidi avant de les ranger dans le compartiment congélateur.
- Déposez le produit congelé dans le compartiment réfrigérateur et profitez de son froid pour refroidir les produits alimentaires.
- N'ouvrez la porte de l'appareil que le plus brièvement possible.
- Pour obtenir la consommation d'énergie la plus faible : respectez la distance latérale minimale par rapport aux murs.

- N'obstruez pas les grilles d'aération de l'appareil.
- Ne pas retirer ou déplacer la clayette en verre supérieure.

Bruits de fonctionnement

Bruits parfaitement normaux

Remarque

Lorsque la supercongélation est activée, l'appareil peut fonctionner plus bruyamment.

Bourdonnement sourd

Les moteurs tournent (par ex. groupes frigorifiques, ventilateur).

Clapotis, sifflement léger ou gargouillis

Le fluide frigorigène circule dans les tuyaux.

Cliquetis

Le moteur, les interrupteurs ou les électrovannes s'allument / s'éteignent.

Craquement

Le dégivrage automatique a lieu.

Sifflement

Le système NoFrost décongèle, des gouttes d'eau s'évaporent.

Éviter la génération de bruits

L'appareil ne repose pas d'aplomb

Veillez mettre l'appareil d'aplomb à l'aide d'un niveau à bulle. Ajustez ensuite l'horizontalité par les pieds à vis ou placez un objet dessous.

L'appareil touche quelque chose

Eloignez l'appareil de meubles ou d'appareils voisins.

Les bacs ou surfaces de rangement vacillent ou se coincent

Vérifiez les pièces amovibles puis remettez-les en place correctement.

Des bouteilles ou récipients se touchent

Eloignez légèrement les bouteilles ou récipients les uns des autres.

Remédier soi même aux petites pannes

Avant d'appeler le service après-vente (SAV) :

Vérifiez svp si vous ne pouvez pas remédier vous-même au dérangement à l'aide des instructions qui suivent.

Vous éviterez des dépenses inutiles car le déplacement du technicien du SAV vous sera facturé même pendant la période de garantie.

Dérangement	Cause possible	Remède
La température dévie fortement par rapport au réglage.		<p>Dans certains cas, il suffira d'éteindre l'appareil pendant 5 minutes.</p> <p>Si la température est trop élevée, vérifiez au bout de seulement quelques heures si un rapprochement de la température a eu lieu.</p> <p>Si la température est trop basse, vérifiez à nouveau la température le lendemain.</p>
La température dans le compartiment réfrigérateur ou le bac réfrigéré est trop basse.		<p>Hausser la température dans le compartiment réfrigérateur.</p> <p>Déplacer le curseur de régulation de température du le bac réfrigéré vers le bas. Figure 9</p>
La température dans le compartiment congélation est trop élevée.	<p>Vous avez ouvert fréquemment l'appareil.</p> <p>Les orifices d'entrée et de sortie d'air sont recouverts.</p> <p>Congélation d'une assez grande quantité de produits alimentaires frais.</p>	<p>N'ouvrez pas l'appareil inutilement.</p> <p>Enlevez les obstacles.</p> <p>Ne dépassez pas la capacité de congélation maximale.</p>
L'appareil ne réfrigère pas, l'affichage de température et l'éclairage sont allumés.	L'appareil se trouve en mode Exposition.	<p>Maintenez la touche freezer/fridge enfoncée pendant 15 secondes.</p> <p>« 77 » apparaît brièvement sur le bandeau de commande.</p> <p>Après un certain temps, vérifiez si votre appareil réfrigère.</p>

Dérangement	Cause possible	Remède
Les parois latérales de l'appareil sont chaudes.	Les parois latérales recèlent en effet des tubes qui se réchauffent pendant le processus de refroidissement.	Ceci est un comportement normal qui ne représente aucune anomalie de fonctionnement. La chaleur n'abîme pas les meubles qui touchent l'appareil.
L'appareil indique une alarme de température sans raison apparente.	Une source de chaleur est trop proche de l'appareil. Un deuxième réfrigérateur se trouve directement à côté de l'appareil (installation côte à côte).	Appeler le service après-vente.
L'éclairage ne fonctionne pas.	L'éclairage par LED est défectueux.	Voir le chapitre « Éclairage (LED) ».
	L'appareil est restée ouverte trop longtemps. L'éclairage s'éteint au bout d'environ 10 minutes.	Après avoir fermé et ouvert l'appareil, l'éclairage fonctionne à nouveau.
Aucun voyant ne s'allume.	Coupure de courant ; disjoncteur disjoncté ; fiche mâle pas complètement branchée dans la prise.	Branchez la fiche mâle dans la prise de courant. Vérifiez s'il y a du courant, vérifiez les fusibles / disjoncteurs.
La porte du compartiment congélateur est restée longtemps ouverte ; le compartiment congélateur n'atteint plus la température.	L'évaporateur (le générateur de froid) équipant le système NoFrost est tellement givré qu'il ne peut plus se dégivrer de façon entièrement automatique.	Pour dégivrer l'évaporateur, sortez les produits alimentaires dans leurs casiers et rangez-les bien isolés dans un endroit frais. Éteignez l'appareil et éloignez-le du mur. Laissez la porte de l'appareil ouverte. Au bout de 20 minutes environ, l'eau de dégivrage commence à couler dans le bac d'évaporation au dos de l'appareil. Pour éviter dans ce cas que le bac d'évaporation ne déborde, récupérez cette eau à l'aide d'une éponge. L'évaporateur est entièrement dégivré lorsqu'il ne coule plus d'eau de dégivrage dans le bac d'évaporation. Nettoyez le compartiment intérieur. Remettez ensuite l'appareil en service.

Dérangement	Cause possible	Remède
De la condensation se forme à la surface de l'appareil et sur les clayettes à l'intérieur de l'appareil.	Les températures ambiantes chaudes et humides renforcent cet effet.	<p>Essuyez l'eau avec un chiffon sec et doux.</p> <ul style="list-style-type: none"> ■ Ouvrez l'appareil le plus brièvement possible ■ Veillez à ce que l'appareil soit toujours correctement fermé.

Autodiagnostic de l'appareil

Votre appareil est équipé d'un programme automatique d'autodiagnostic qui vous affiche les sources de défauts ; seul le service après-vente est en mesure de les supprimer.

Démarrer le self-test de l'appareil

1. Débranchez la fiche de l'appareil ou déconnectez le fusible et attendez 5 minutes.
2. Branchez la fiche de l'appareil ou connectez le fusible et maintenez la touche freezer/fridge enfoncée pendant 3 secondes dans les 2 premières minutes jusqu'à ce qu'un signal sonore retentisse.

Le programme de self-test démarre.

Une fois le self-test terminé et si un signal sonore retentit deux fois, cela signifie que votre appareil fonctionne correctement.

Si 5 signaux sonores retentissent, il y a présence d'un défaut. Prévenez le service après-vente.

Terminer l'autodiagnostic de l'appareil

Une fois le programme exécuté, l'appareil revient sur le service normal.

Service après-vente

Pour connaître le service après-vente situé le plus près de chez vous, consultez l'annuaire téléphonique ou le répertoire des services après-vente (SAV). Veuillez indiquer au SAV le numéro de série (E-Nr.) de l'appareil, son numéro de fabrication (FD-Nr.) et son numéro de comptage (Z-Nr.).

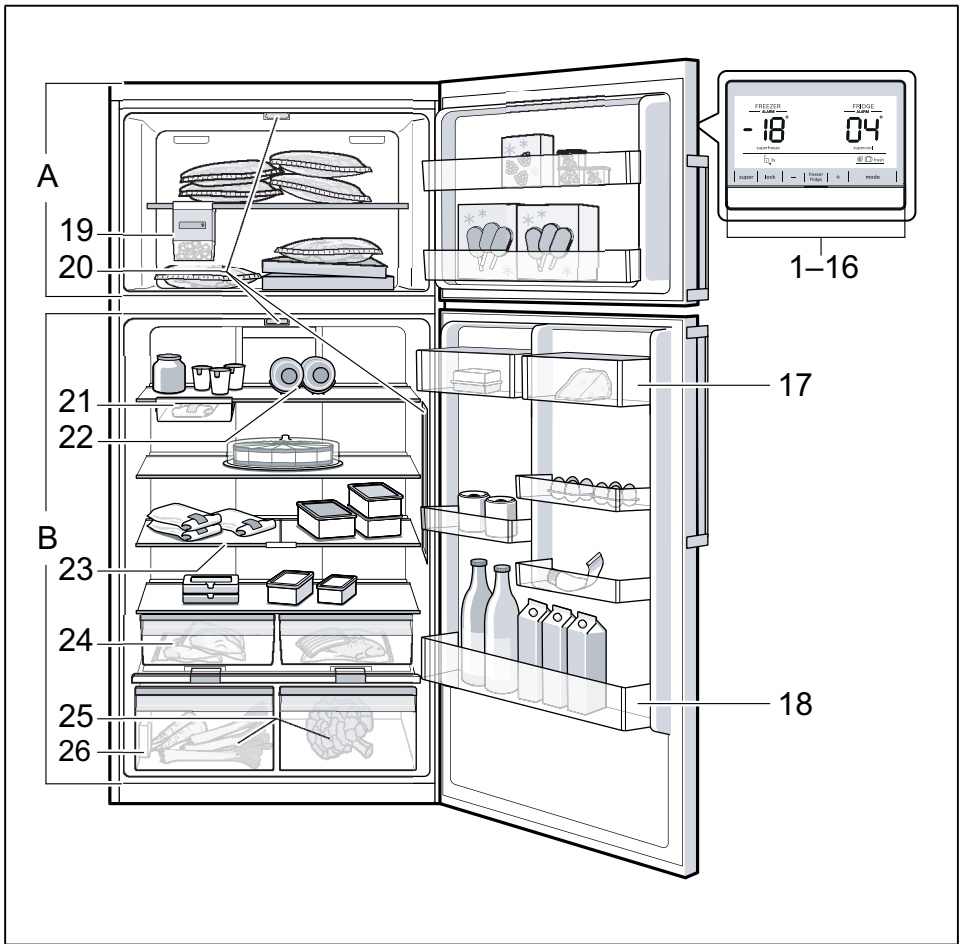
Vous trouverez ces renseignements sur la plaque signalétique. Figure 14

Aidez-nous à éviter les déplacements inutiles et économisez ainsi des suppléments inutiles.

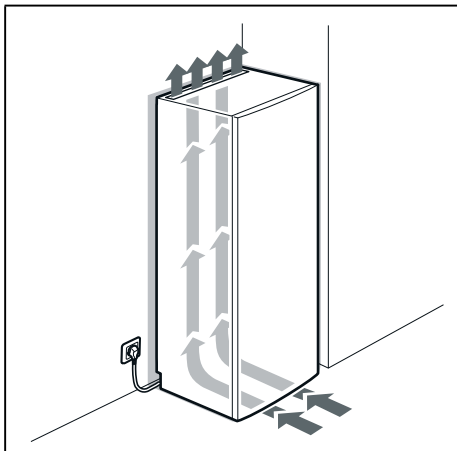
Commande de réparation et conseils en cas de dérangements

Vous trouverez les données de contact pour tous les pays dans l'annuaire ci-joint du service après-vente.

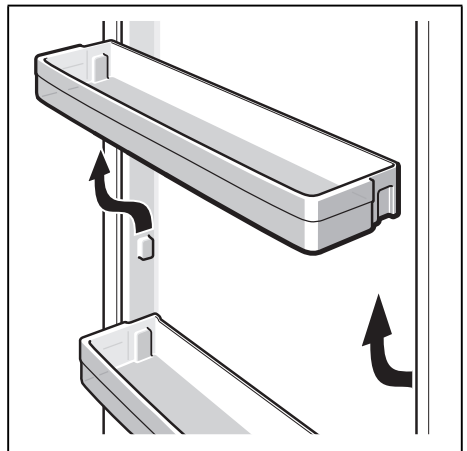
FR 01 40 10 11 00
 B 070 222 141
 CH 0848 840 040



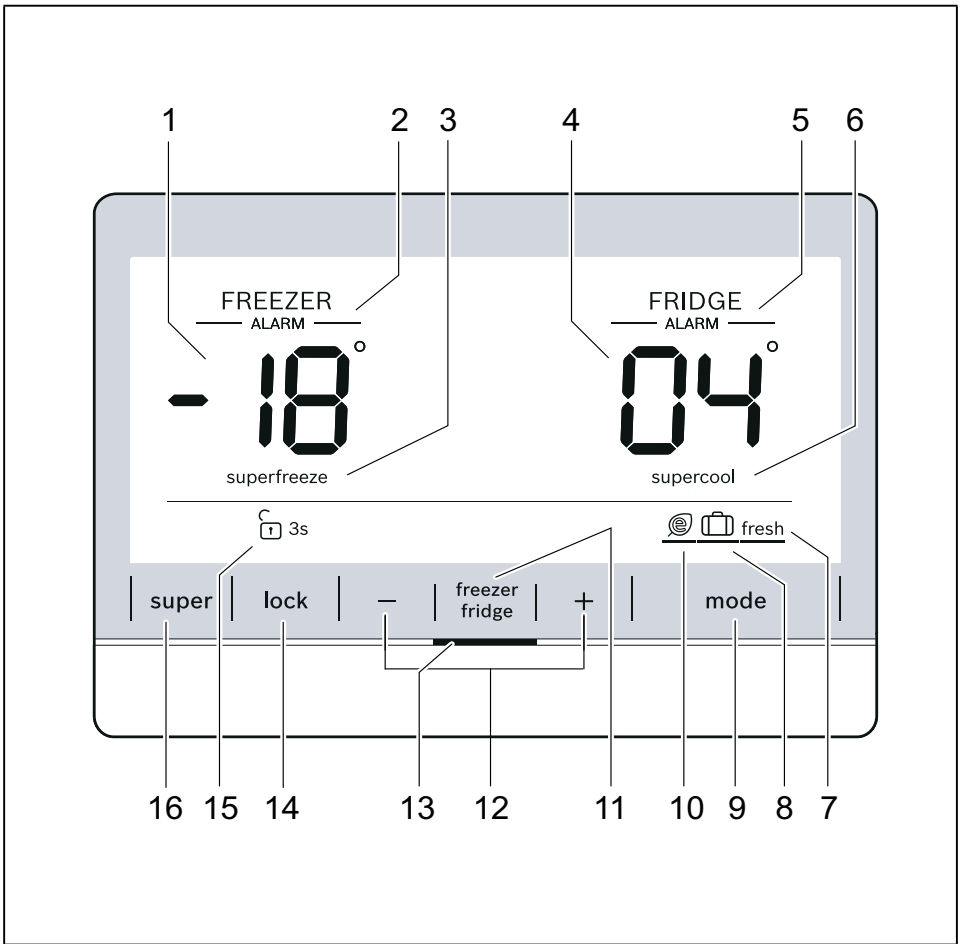
1



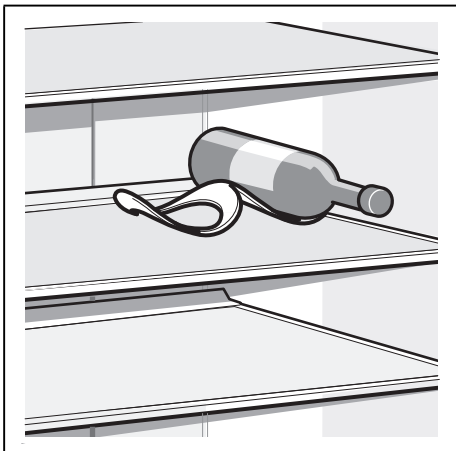
2



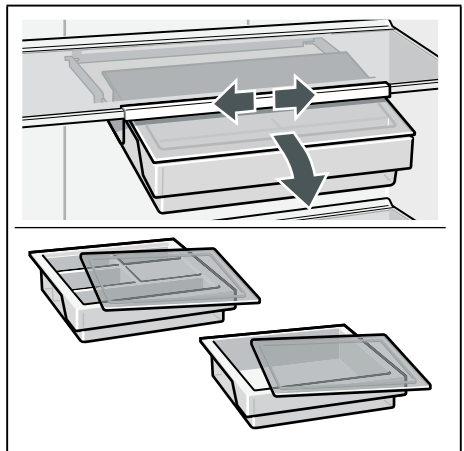
3



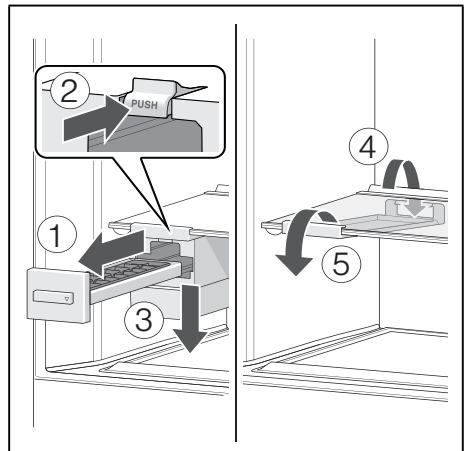
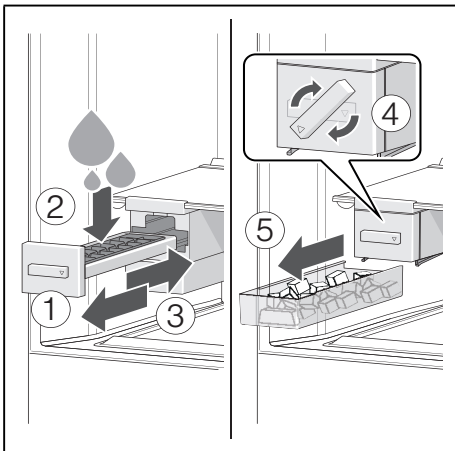
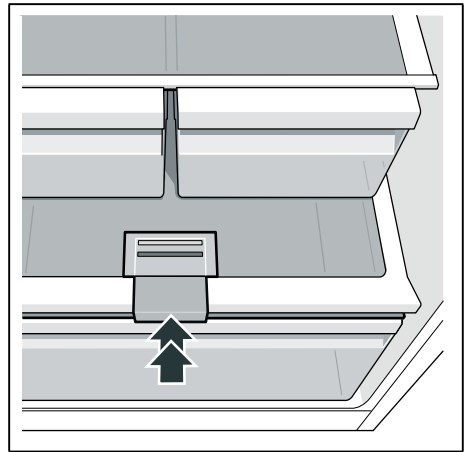
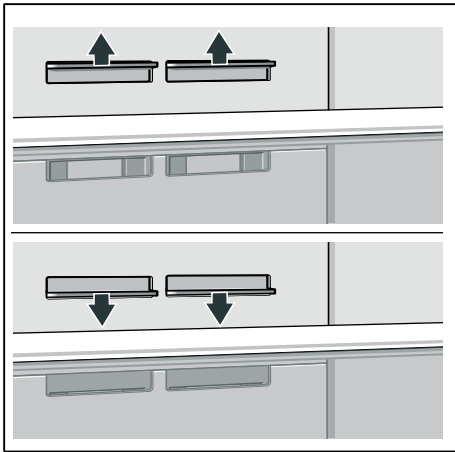
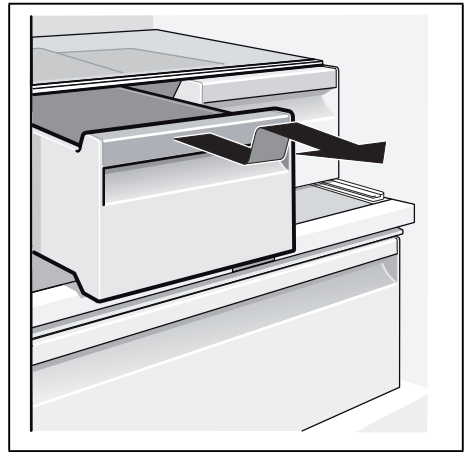
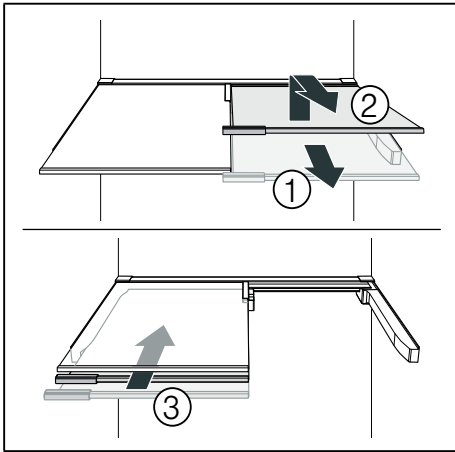
4

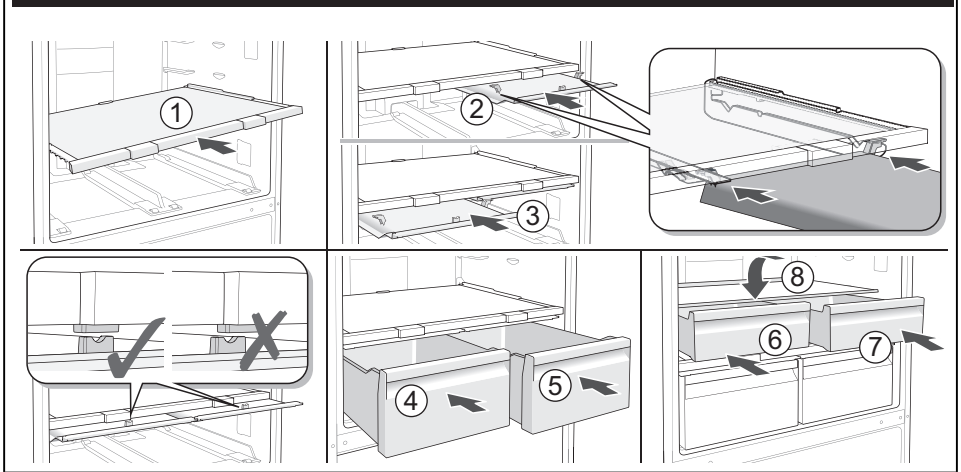
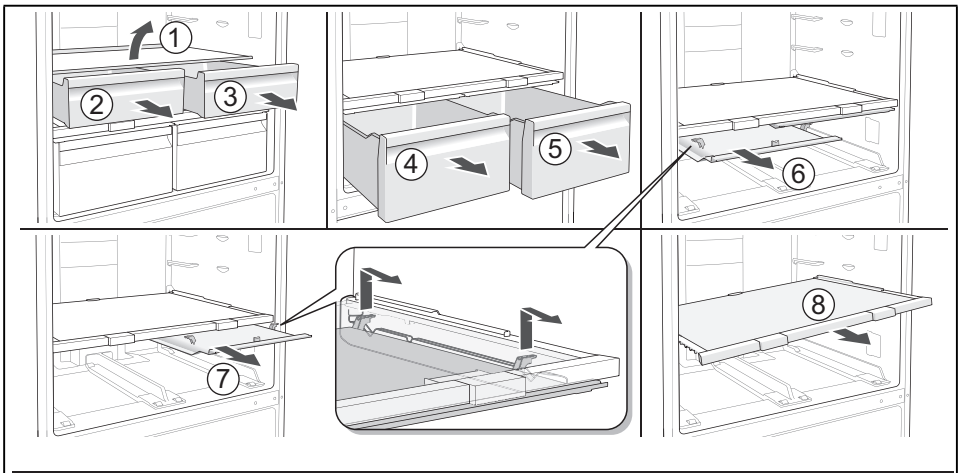


5

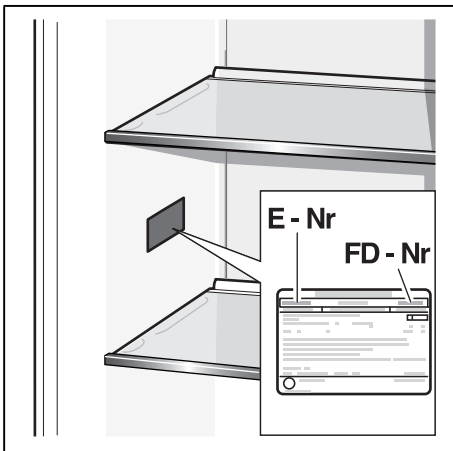


6





13



14



Thank you for buying a Bosch Home Appliance!

Register your new device on MyBosch now and profit directly from:

- **Expert tips & tricks for your appliance**
- **Warranty extension options**
- **Discounts for accessories & spare-parts**
- **Digital manual and all appliance data at hand**
- **Easy access to Bosch Home Appliances Service**

Free and easy registration – also on mobile phones:

www.bosch-home.com/welcome



Looking for help? You 'll find it here.

Expert advice for your Bosch home appliances, need help with problems or a repair from Bosch experts.

Find out everything about the many ways Bosch can support you:

www.bosch-home.com/service

Contact data of all countries are listed in the attached service directory.

Bosch Home Appliance Group

P.O. Box 83 01 01

D-81701 Munich

Germany

www.bosch-home.com



8001202494 (0007)

en, fr