

*Use and care*

# GUIDE

Professional Series Rangetops



*Use and care*  
**GUIDE**

Professional Series Rangetops

Table of contents (English) ..... 4  
Table de matières (Français) ..... 34  
Índice de materias (Español)..... 65

**Models |  
Modèles |  
Modelos:**

- PCG305W
- PCG366W
- PCG364WD
- PCG364WL
- PCG486WL
- PCG486WD



## *Congratulations!*

Congratulations on your recent Thermador purchase! Whether you are a dedicated chef or simply a connoisseur of the art of cooking, owning a Thermador kitchen is the ultimate expression of personal style, good taste and an appreciation for the complete culinary experience. Our award-winning products have been empowering culinary enthusiasts for more than eleven decades.

Before you begin using your new Thermador product, please take a moment to review the Use and Care Guide. You will find the answers to all of your questions as well as some very important safety information. Pay special attention to the Important Safety Instructions located at the beginning of the manual. Your Thermador product is ready and waiting to be used for your next gourmet creation!

Our products are handcrafted with the highest quality authentic materials to ensure years of reliable service. In the unlikely event that you have a service question, please have your model and serial numbers of your product available (see the "Before calling for service" section for location).

We realize that you have made a considerable investment in your kitchen. Please feel free to share your Thermador kitchen photos and remodeling stories with us. Follow us on Twitter or post your kitchen photos on Facebook. We would love to hear from you!

Thermador wishes you many years of creative cooking.

## *Félicitations!*

Félicitations pour votre récent achat Thermador! Que vous soyez un chef enthousiaste ou un simple connaisseur de l'art culinaire, le fait de posséder une cuisine Thermador représente l'expression ultime de votre style personnel, de votre bon goût et de votre intérêt à vivre une expérience culinaire complète. Nos produits primés permettent à des adeptes de la bonne bouffe d'atteindre de nouveaux sommets depuis plus de onze décennies.

Avant de commencer à utiliser votre nouveau produit Thermador, veuillez prendre un moment pour examiner ce guide d'utilisation et d'entretien. Vous trouverez des réponses à toutes vos questions ainsi que quelques renseignements essentiels en matière de sécurité. Portez une attention particulière aux Instructions de sécurité importantes se trouvant au début du guide. Votre produit Thermador est prêt et n'attend plus que vous l'utilisiez pour votre prochaine création gastronomique!

Nos produits sont fabriqués à la main avec des matériaux authentiques de haute qualité afin d'assurer des années de service fiable. Dans l'éventualité improbable où vous auriez une question relativement à l'entretien, veuillez avoir à la portée de la main le numéro de série et de modèle de votre produit (reportez vous "Avant d'appeler le service technique").

Nous savons bien que vous avez investi une somme considérable dans votre cuisine. N'hésitez pas à partager avec nous les photos de votre cuisine Thermador et les anecdotes relatives au remodelage de votre cuisine. Suivez-nous sur Twitter ou affichez des photos de votre cuisine sur Facebook. Nous serions ravis d'avoir de vos nouvelles!

Thermador vous souhaite de nombreuses années de gastronomie créative.

## *¡Enhorabuena*

¡Enhorabuena por la reciente compra de su Thermador! Que Usted sea un gran jefe de cocina o un simple aficionado del arte culinario, el hecho de poseer una cocina Thermador es la última expresión de su estilo personal, de su buen gusto y de su apreciación de una experiencia culinaria completa. Nuestros premiados productos permiten al entusiasta de la cocina explorar este mundo desde hace más de once décadas.

Antes de comenzar a utilizar su nuevo producto Thermador, tómese un momento para echar un vistazo a este manual de uso y mantenimiento. Encontrará respuestas a todas sus preguntas además de informaciones esenciales en materia de seguridad. Ponga especial atención a las Instrucciones de seguridad importantes, situadas al principio del manual. ¡Su producto Thermador está listo y solo espera a que Usted lo use para su próxima creación gastronómica!

Nuestros productos se fabrican a mano con materiales auténticos de alta calidad a fin de garantizar años de servicio fiable. En el caso improbable en que Usted tenga una pregunta relativa al mantenimiento, tenga a mano el número de serie y el modelo de su producto (consulte "Antes de Solicitar Servicio").

Nos damos cuenta de que Usted invirtió una suma considerable en su cocina. No dude en compartir con nosotros las fotos de su cocina Thermador y anécdotas acerca de la reforma de su cocina. Síganos en Twitter o publique fotos de su cocina en Facebook. ¡Estaremos encantados de tener noticias suyas!

¡Thermador le desea varios años de gastronomía creativa!

# Table of CONTENTS

---

Safety .....5  
 Important safety instructions .....5

Description.....10  
 Rangetop identification .....10

Before you begin .....13  
 Getting started .....13

Using the rangetop.....14  
 Sealed STAR® burners.....14  
 ExtraLow® burners .....15  
 Electric griddle .....21  
 Electric grill.....24

Care and maintenance.....27  
 Appliance cleaning tips .....27

Before calling for service .....30  
 Troubleshooting .....30  
 Service information.....31  
 Product registration.....31

Statement of limited product warranty .....32

Support, parts and accessories ..... back page

# Safety DEFINITIONS

---



---

**▲ WARNING**

---

This indicates that death or serious injuries may occur as a result of non-observance of this warning.

---



---

**▲ CAUTION**

---

This indicates that minor or moderate injuries may occur as a result of non-observance of this warning.

---

**NOTICE:** This indicates that damage to the appliance or property may occur as a result of non-compliance with this advisory.

**Note:** This alerts you to important information and/or tips.

*This THERMADOR® appliance is made by*  
 BSH Home Appliances Corporation  
 1901 Main Street, Suite 600  
 Irvine, CA 92614

---

*Questions?*  
 1-800-735-4328  
 www.thermador.com

*We look forward to hearing from you!*

# Safety

## **⚠ IMPORTANT SAFETY INSTRUCTIONS** **READ AND SAVE THESE INSTRUCTIONS**

### Please read carefully

Installer: Please leave this guide with this unit for the owner.

Owner: Please retain this guide for future reference. Use the appliance only for its intended purpose as described in this manual.

---

#### **WARNING**

When properly cared for, your new appliance has been designed to be safe and reliable. Read all instructions carefully before use. These precautions will reduce the risk of burns, electric shock, fire, and injury to persons. When using kitchen appliances, basic safety precautions must be followed, including these in the following pages.

---

#### **WARNING**



**If the information in this manual is not followed exactly, a fire or explosion may result causing property damage, personal injury or death.**

- **DO NOT store or use gasoline or other flammable vapors and liquids in the vicinity of this or any other appliance.**
- **WHAT TO DO IF YOU SMELL GAS**
  - **DO NOT try to light any appliance.**
  - **DO NOT touch any electrical switch.**
  - **DO NOT use any phone in your building.**
  - **Immediately call your gas supplier from a neighbor's phone. Follow the gas supplier's instructions.**
  - **If you cannot reach your gas supplier, call the fire department.**
- **Installation and service must be performed by a qualified installer, service agency or the gas supplier.**

---

#### **WARNING**

Improper installation, adjustment, alteration, service or maintenance can cause injury or property damage. Refer to this manual. For assistance or additional information consult a qualified installer, service agency, manufacturer or the gas supplier.

---

---

#### **WARNING**

Before servicing or cleaning the unit, switch power off at service panel and lock service panel. This will prevent power from being switched on accidentally. When the service panel cannot be locked, securely fasten a prominent warning device, such as a tag to the service panel.

---

Examine the appliance after unpacking it. In the event of transport damage, do not plug it in.

### Gas type verification

Verify the type of gas supplied to the location. Ensure that the appliance is connected to the type of gas for which it is certified. Refer to the product rating label.

---

#### **WARNING**

If a gas conversion kit is used, the kit shall be installed by qualified service personnel in accordance with the manufacturer's instructions and all applicable codes and requirements of the authority having jurisdiction. If the information in the instructions is not followed exactly, a fire, explosion or production of carbon monoxide may result causing property damage, personal injury or loss of life. The qualified service personnel is responsible for the proper installation of the kit. The installation is not proper and complete until the operation of the converted appliance is checked as specified in the manufacturer's instructions supplied with the kit.

---

# IMPORTANT SAFETY INSTRUCTIONS

## READ AND SAVE THESE INSTRUCTIONS

---

### CAUTION

---

When connecting the unit to propane gas, make certain the propane gas tank is equipped with its own high-pressure regulator in addition to the pressure regulator supplied with the appliance. The maximum gas pressure to this appliance must not exceed 14.0" water column (34.9 mb) from the propane gas tank to the pressure regulator.

---

#### For Massachusetts installations

1. Installation must be performed by a qualified or licensed contractor, plumber or gas fitter qualified or licensed by the state, province or region where this appliance is being installed.
2. Shut-off valve must be a "T" handle gas cock.
3. Flexible gas connector must not be longer than 36" (914 mm).

Ensure proper installation and servicing. Follow the Installation Instructions provided with this product. Have the appliance installed and electrically grounded by a qualified technician.

In the event a burner goes out and gas escapes, open a window or a door. **DO NOT** attempt to use the appliance until the gas has had time to dissipate. Wait at least 5 minutes before using the appliance.

**DO NOT** repair or replace any part of the appliance unless specifically recommended in this manual. All servicing should be referred to a qualified technician.

### Electrical requirements

---

#### WARNING

---



#### IN CASE OF AN ELECTRICAL FAILURE

If for any reason a gas control knob is turned ON and there is no electrical power to operate the electronic igniters on the burners, turn OFF the gas control knob and wait 5 minutes for the gas to dissipate before lighting the burner manually.

To light the burners manually, carefully hold a lighted match to the burner ports and turn the gas control knob to HI. During a power failure, you can use the standard burners, but each must be lit with a match.

**DO NOT** attempt to light the XLO<sup>®</sup> burners manually. These burners are equipped with the ExtraLow<sup>®</sup> feature and cannot be lit manually.

---

The appliance must be electrically grounded in accordance with local codes or, in the absence of local codes, with the National Electrical Code, NFPA 70 or the Canadian Electric Code, CSA C22.1-02.

---

### WARNING

---

#### Never Operate the Top Surface Cooking Section of this Appliance Unattended

- Failure to follow this warning statement could result in fire, explosion, or burn hazard that could cause property damage, personal injury, or death.
  - If a fire should occur, keep away from the appliance and immediately call your fire department. **DO NOT ATTEMPT TO EXTINGUISH AN OIL/GREASE FIRE WITH WATER.**
- 

Always disconnect the electrical plug from the outlet before servicing this unit.

See the Installation Instructions for electrical requirements and grounding instructions.

Have the installer show you where the electric circuit breaker and the gas supply shut off valve are located so you know how and where to turn off the gas and electricity to the appliance.

Installation and maintenance must be carried out correctly. Follow the instructions in the Installation Instructions supplied with the product. Make sure that a qualified electrician installs and performs grounding of the appliance.

#### This appliance complies with the following Safety Codes and Standards:

- UL 858, The Standard for the Safety of Household Electric Ranges
- ANSI Z21.1, The American National Standard for Household Cooking Gas Appliances
- CAN1-1.1-M81, Domestic Gas Ranges
- CSA C22.2 No. 61, Household Cooking Ranges

Installation must conform with local codes or, in the absence of local codes, with the National Fuel Gas Code, ANSI Z223.1/NFPA 54 or, in Canada, the Natural Gas and Propane Installation Code, CSA B149.1.

Installation of appliances designed for manufactured (mobile) home installation must conform with the Manufactured Home Construction and Safety Standard, Title 24 CFR, Part 3280 [formerly the Federal Standard for Mobile Home Construction and Safety, Title 24, HUD (Part 280)] or with local codes where applicable.

# IMPORTANT SAFETY INSTRUCTIONS

## READ AND SAVE THESE INSTRUCTIONS

Installation of appliances designed for recreational park trailers must conform with state or other codes or, in the absence of such codes, with the Standard for Recreational Park Trailers, ANSI A119.5.

It is the responsibility of the owner and the installer to determine if additional requirements and/or standards apply to specific installations.

Clearances from non-combustible materials are not part of the ANSI Z21.1 scope and are not certified by CSA. Clearances under 6 inches should be approved by the local codes and/or by the local authority having jurisdiction.

### Child safety

When children become old enough to use the appliance, it is the responsibility of the parents or guardians to ensure that they are instructed in safe operation of the appliance by qualified persons.

---

#### WARNING

---

**DO NOT** store items of interest to children above or at the back of the appliance. If children should climb onto the appliance to reach these items, they could be seriously injured.

---

**DO NOT** allow anyone to climb, stand, lean, sit, or hang on any part of an appliance. This can damage the appliance, and the unit may tip over, potentially causing severe injury.

**DO NOT** allow children to use this appliance unless closely supervised by an adult.

Children and pets should not be left alone or unattended in the area where the appliance is in use. They should never be allowed to play in its vicinity, whether or not the appliance is in use.

### General safety

---

#### WARNING

---

To eliminate risk of burns or fire caused by reaching over heated surface units, cabinet storage located above the surface units should be avoided.

---

---

#### WARNING

---

This unit is designed as a cooking appliance. Based on safety considerations, never use it for warming or heating a room.

---

---

#### WARNING

---

**TO REDUCE THE RISK OF INJURY TO PERSONS, IN THE EVENT OF A GREASE FIRE, OBSERVE THE FOLLOWING:**

- Smother flames with a close-fitting lid, cookie sheet, or other metal tray, then turn off the gas burner or the electric element. Be careful to prevent burns. If the flames do not go out immediately, evacuate and call the fire department.
  - Never pick up a flaming pan — You may be burned.
  - **DO NOT USE WATER**, including wet dish cloths or towels — a violent steam explosion will result.
  - Use an extinguisher only if:
    - You know you have a class ABC extinguisher and you already know how to operate it.
    - The fire is small and contained in the area where it started.
    - The fire department is being called.
    - You can fight the fire with your back to an exit.
- 

---

#### WARNING

---

**TO REDUCE THE RISK OF A GREASE FIRE**

- Never leave surface units unattended at high settings. Boilovers cause smoking and greasy spillovers that may ignite. Heat oils slowly on low or medium settings.
  - Always turn hood ON when cooking at high heat or when flambéing food (i.e. Crepes Suzette, Cherries Jubilee, Peppercorn Beef Flambé).
  - Clean hood filters frequently. Grease should not be allowed to accumulate on fan or filter.
  - Use proper pan size. Always use cookware appropriate for the size of the burner.
- 
- **NEVER** use any part of the appliance for storage. Flammable materials can catch fire and plastic items may melt or ignite. **DO NOT** hang articles from any part of the appliance. Some fabrics are quite flammable and may catch on fire.

# IMPORTANT SAFETY INSTRUCTIONS

## READ AND SAVE THESE INSTRUCTIONS

If the appliance is near a window, be certain the curtains do not blow over or near the appliance burners; they could catch on fire.

**ALWAYS** have a working smoke detector near the kitchen. In the event that personal clothing or hair catches fire, drop and roll immediately to extinguish flames.

Have an appropriate fire extinguisher available nearby, highly visible, and easily accessible near the cooking appliance.

Smother flames from food fires, other than grease fires, with baking soda. Never use water on cooking fires.

Whenever possible, do not operate the ventilation system during a fire. However, **DO NOT** reach through fire to turn it off.

**NEVER** let clothing, potholders, or other flammable materials come in contact with or too close to any burner or burner grate until it has cooled. Fabric may ignite and result in personal injury.

Use only dry potholders: moist or damp potholders on hot surfaces may cause burns from steam. **DO NOT** use a towel or other bulky cloth in place of potholders. **DO NOT** let potholders touch hot burners or burner grates.

For personal safety, wear proper apparel. Loose fitting garments or hanging sleeves should never be worn while using this appliance. Some synthetic fabrics are highly flammable and should not be worn while cooking.

**DO NOT** use aluminum foil to line any part of the appliance. Use of a foil liner could result in a shock or fire hazard, or the obstruction of the flow of combustion and ventilation air. Foil is an excellent heat insulator and heat will be trapped beneath it. This will upset the cooking performance and can damage the finish of the appliance.

---

### WARNING

---

The appliance is for cooking. Based on safety considerations, never use the appliance to warm or heat a room. Doing so may result in carbon monoxide poisoning and overheating of the unit. Also, such use can damage the appliance parts.

---

When using the appliance: **DO NOT TOUCH THE BURNER GRATES OR THE IMMEDIATE SURROUNDING AREA.** Areas adjacent to the burners may become hot enough to cause burns.

Never leave the appliance unattended when using high flame settings. Boil overs cause smoking and greasy spillovers that may ignite. Also, if the burner flames and igniter are smothered with spillage, unburned gas will escape into the room. See page 5 regarding gas leaks.

Only certain types of glass, heatproof glass-ceramic, ceramic, earthenware, or other glazed cookware are suitable for cooking on the burners. This type of cookware may break with sudden temperature changes. Use only on low or medium heat settings according to the utensil manufacturer's directions.

**DO NOT** heat or warm unopened food containers. Build-up of pressure may cause the container to burst and cause injury.

---

### WARNING

---

During cooking, set the burner control so that the flame heats only the bottom of the pan and does not extend beyond the bottom of the pan. This instruction is based on safety considerations.

---

Use caution to ensure that drafts like those from forced air vents or fans do not blow flammable material toward the flames or push the flames so that they extend beyond the edges of the pot.

Always use pots and pans that have flat bottoms large enough to cover the burner. The use of undersized pots and pans could expose a portion of the flame and may result in ignition of clothing.

---

### WARNING

---

Avoid using high flame setting with a pan larger than the grate or with one that spans more than one burner, such as a griddle, for prolonged periods of time. This can result in poor combustion that generates harmful by-products.

---

**DO NOT** use pots or pans on the griddle/grill plate accessory (purchased separately). Bakeware, such as large casserole pans, cookie sheets, etc., should never be used on the griddle/grill plate accessory.

**DO NOT** use flammable cleaners to clean the appliance.

Remove the optional cutting board or griddle/grill cover accessory, which is stored on top of the griddle/grill plate, before operating the griddle/grill or any adjacent burners.

# **IMPORTANT SAFETY INSTRUCTIONS**

## **READ AND SAVE THESE INSTRUCTIONS**

**GREASE IS FLAMMABLE.** Let hot grease cool before attempting to handle it. Avoid letting grease deposits collect. Clean after each use.

For proper lighting and performance of the burners, keep the igniter ports clean. It is necessary to clean the ports when there is a boil over or when the burner does not light even though the electronic igniters activate.

Clean the appliance with caution. Avoid steam burns; **DO NOT** use a wet sponge or cloth to clean the appliance while it is hot. Some cleaners produce noxious fumes if applied to a hot surface. Follow directions provided by the cleaner manufacturer.

---

### **WARNING**

---

After a spill or boil over, turn off the burner and using caution due to possible hot surfaces, clean around the burner and burner ports. After cleaning, check for proper operation.

---

---

### **WARNING**

---

**DO NOT** block or obstruct the flow of air through the ventilation openings. The vent is located at the back of the appliance. The vent needs to be unobstructed and open to provide necessary airflow that is important for proper performance.

**DO NOT** touch vent area while the appliance is on and for several minutes after the appliance is off. Some parts of the vent and surrounding areas become hot enough to cause burns. Allow appliance sufficient time to cool before touching or cleaning vent areas.

**DO NOT** position plastic or other heat-sensitive items on or near the vent. These items could melt or ignite.

---

To avoid a fire hazard, grease accumulation must be prevented by frequently cleaning the appliance.

In case of fire or when intentionally “flaming” liquor or other spirits on the rangetop, follow manufacturer’s instructions. Use caution when cooking foods with high alcohol content (e.g. rum, brandy, bourbon). Alcohol evaporates at high temperatures. There is a risk of burning as the alcohol vapors may catch fire. Use only small quantities of alcohol in foods.

Be sure all controls are turned off and the appliance is cool before using any type of aerosol cleaner on or around the appliance. The chemical that produces the spraying action could, in the presence of heat, ignite or cause metal parts to corrode.

**DO NOT** obstruct the flow of combustion or ventilation air.

Service should only be done by authorized technicians. Technicians must disconnect the power supply before servicing this unit.

**DO NOT** use the grill plate accessory for cooking excessively fatty meats or products which promote flare-ups.

When cooking fatty or oily foods on burners, the grill, or the griddle, adjacent gas burners can ignite airborne fumes. Use caution to avoid burns.

**DO NOT** store or use corrosive chemicals, vapors, flammables, or nonfood products in or near this appliance. It is specifically designed for use when heating or cooking food. The use of corrosive chemicals while heating or cleaning will damage the appliance and could result in injury.

---

### **WARNING**

---

This appliance should not be installed with a ventilation system that directs air in a downward direction toward the range. This type of ventilation system may cause ignition and combustion problems with the appliance resulting in personal injury, property damage, or unintended operation. Ventilating systems that direct the air upwards do not have any restriction.

An air curtain or other overhead range hood, which operates by blowing a downward airflow onto a range, shall not be used in conjunction with a gas range unless the hood and range have been designed and tested in accordance with the Standard for Domestic Gas Ranges, ANSI Z21.1 • CSA 1.1, and listed by an independent testing laboratory for combination use.

---

**IMPORTANT:** There is a possibility to discolor the back wall under certain cooking conditions.

## Proposition 65 Warning

This product may contain a chemical known to the State of California, which can cause cancer or reproductive harm. Therefore, the packaging of your product may bear the following label as required by California:

**State of California Proposition 65 Warning:**

 **WARNING**

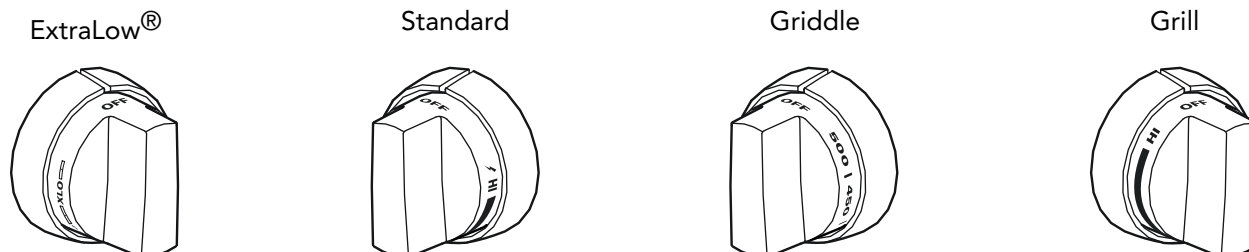
Cancer and Reproductive Harm -  
[www.P65Warnings.ca.gov](http://www.P65Warnings.ca.gov)

# Description

## Rangetop identification

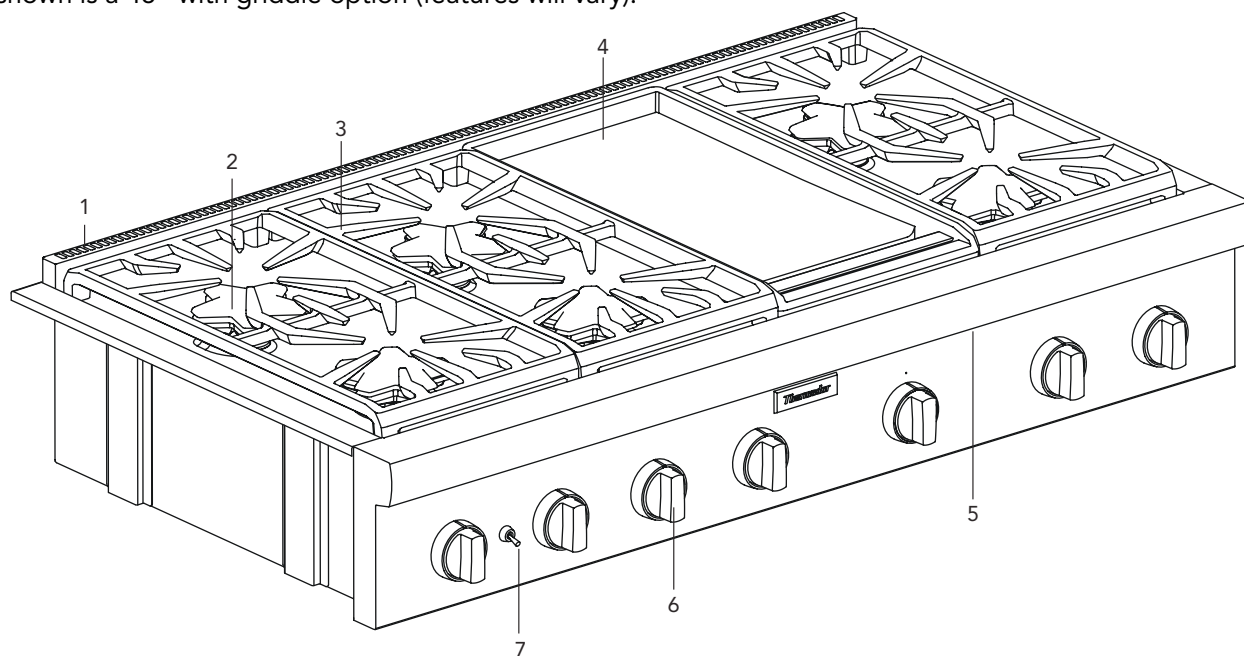
**NOTE:** Not all features are available to all models.

### Control knob identification



### Rangetop identification

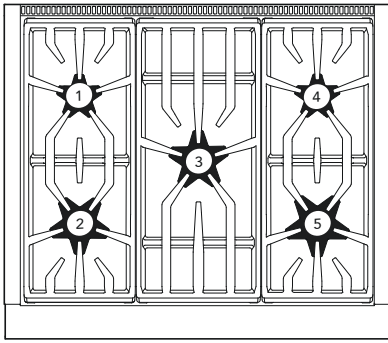
Model shown is a 48" with griddle option (features will vary).



- 1 Island trim included or low backguard ordered separately  
(See the Installation Instructions concerning spacing behind the rangetop when using the range with the island trim.)
- 2 STAR® burners
- 3 Burner grates
- 4 Griddle (grill option available but not shown)
- 5 LED panel light
- 6 Control knobs and bezels
- 7 Panel light toggle switch

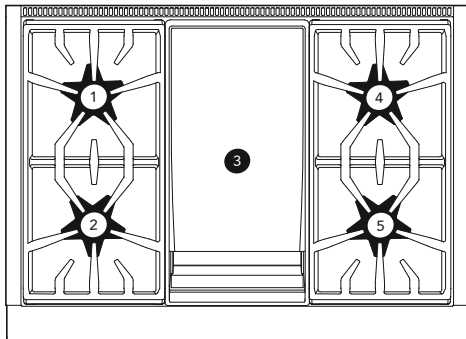
# Top surface identification

## Model 305



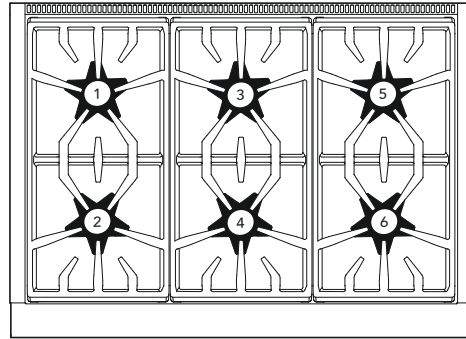
- |                                  |                             |
|----------------------------------|-----------------------------|
| (1) ExtraLow <sup>®</sup> burner | Natural 8000, LP 6000 BTU   |
| (2) ExtraLow burner              | Natural 18000, LP 14000 BTU |
| (3) Standard burner              | Natural 10000, LP 9100 BTU  |
| (4) Standard burner              | Natural 8000, LP 6000 BTU   |
| (5) Standard burner              | Natural 15000, LP 11000 BTU |

## Model 364 with griddle



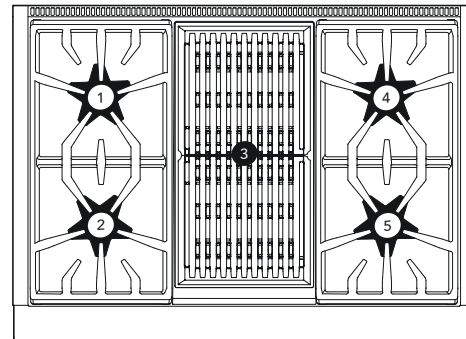
- |                     |                             |
|---------------------|-----------------------------|
| (1) ExtraLow burner | Natural 15000, LP 11000 BTU |
| (2) ExtraLow burner | Natural 18000, LP 15000 BTU |
| (3) Griddle         | 1,630W                      |
| (4) Standard burner | Natural 15000, LP 11000 BTU |
| (5) Standard burner | Natural 18000, LP 15000 BTU |

## Model 366



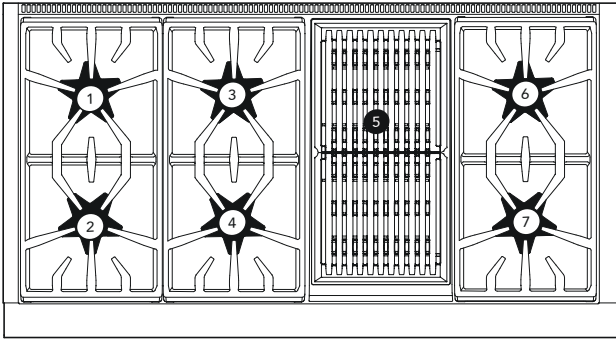
- |                     |                             |
|---------------------|-----------------------------|
| (1) ExtraLow burner | Natural 15000, LP 11000 BTU |
| (2) ExtraLow burner | Natural 18000, LP 15000 BTU |
| (3) Standard burner | Natural 15000, LP 11000 BTU |
| (4) Standard burner | Natural 18000, LP 15000 BTU |
| (5) Standard burner | Natural 15000, LP 11000 BTU |
| (6) Standard burner | Natural 18000, LP 15000 BTU |

## Model 364 with grill



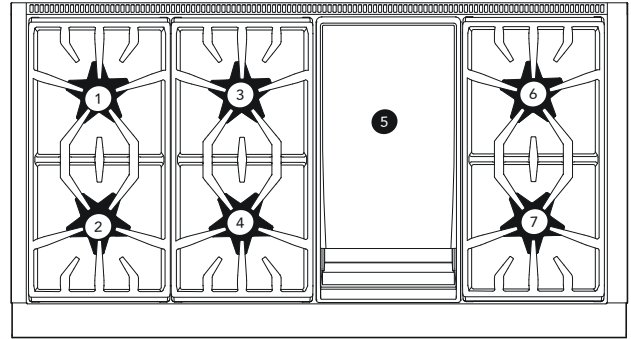
- |                     |                             |
|---------------------|-----------------------------|
| (1) ExtraLow burner | Natural 15000, LP 11000 BTU |
| (2) ExtraLow burner | Natural 18000, LP 15000 BTU |
| (3) Grill           | 815W x 2                    |
| (4) Standard burner | Natural 15000, LP 11000 BTU |
| (5) Standard burner | Natural 18000, LP 15000 BTU |

**Model 486 with grill**



- |                                  |                             |
|----------------------------------|-----------------------------|
| (1) ExtraLow <sup>®</sup> burner | Natural 15000, LP 11000 BTU |
| (2) ExtraLow burner              | Natural 18000, LP 15000 BTU |
| (3) Standard burner              | Natural 15000, LP 11000 BTU |
| (4) Standard burner              | Natural 18000, LP 15000 BTU |
| (5) Grill                        | 815W x 2                    |
| (6) Standard burner              | Natural 15000, LP 11000 BTU |
| (7) Standard burner              | Natural 18000, LP 15000 BTU |

**Model 486 with griddle**



- |                     |                             |
|---------------------|-----------------------------|
| (1) ExtraLow burner | Natural 15000, LP 11000 BTU |
| (2) ExtraLow burner | Natural 18000, LP 15000 BTU |
| (3) Standard burner | Natural 15000, LP 11000 BTU |
| (4) Standard burner | Natural 18000, LP 15000 BTU |
| (5) Griddle         | 1,630W                      |
| (6) Standard burner | Natural 15000, LP 11000 BTU |
| (7) Standard burner | Natural 18000, LP 15000 BTU |

# Before you begin

## Getting started

Remove all tape and packaging before using the appliance. Dispose of packaging in an environmentally-responsible manner. Never allow children to play with packaging material.

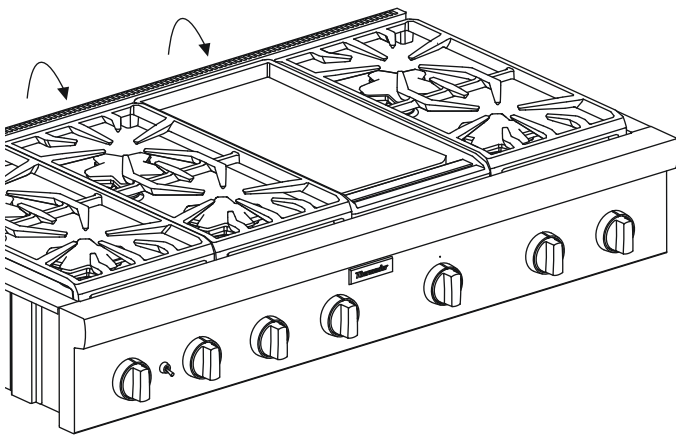
### Brand names

The use of brand names is intended only to indicate a type of cleaner. This does not constitute an endorsement. The omission of any brand name cleaner does not imply its adequacy or inadequacy. Many products are regional in distribution and can be found in local markets. It is imperative that all cleaning products be used in strict accordance with the instructions on its package.

### Service label

Record the model and serial number on page 31. The model and serial numbers are found on the service label. The label is located as shown in the figure below.

The model and serial number must be provided when calling Customer Support for assistance. Enter this information on the Product Registration Card included with this product then mail it to the indicated address.



## Surface burners

1. Ensure that the burner caps are correctly seated on the burner bases of the rangetop (see page 14).
2. Turn on each burner to check for proper flame color. See "Flame description" for details.

The appliance occasionally has an odor or smoke when first used. These odors or smoke comes from the burning off of manufacturing residues and is typical of any new appliance regardless of manufacturer.

Please note that some pets or humans can be sensitive to the odors created during any high heat cooking whether it is a manufacturing residue burn off or food so it is recommended that those potentially affected be removed from the kitchen area.

---

### **▲ WARNING**

---

All knobs must be set to OFF before powering up the rangetop. To prevent unintended operation at power up, please set all knobs to OFF.

---

# Using the rangetop

## Sealed STAR<sup>®</sup> burners

---

### ▲ WARNING

---

To prevent flare-ups and avoid the creation of harmful by-products, do not use the rangetop without all burner caps and all burner grates properly positioned.

---

---

### ▲ WARNING

---

To prevent burns, do not touch burner caps or grates while hot. Turn the rangetop off and allow the burners to cool.

---

## Burner cap placement

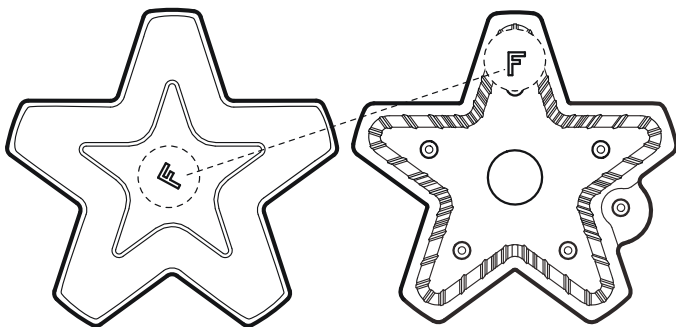
The burner caps must be properly placed on the burner bases for the cooktop to function properly. If the burner cap is not properly placed, one or more of the following problems may occur:

- Burner flames are too high.
- Flames shoot out of burners.
- Burners do not ignite.
- Burner flames light unevenly.
- Burner emits gas odor.

Each cap has a letter (B, D, or F) cast in the underside of the cap that corresponds to a letter (B, D, or F) cast in the burner base that is attached to the appliance.

### To place the burner caps

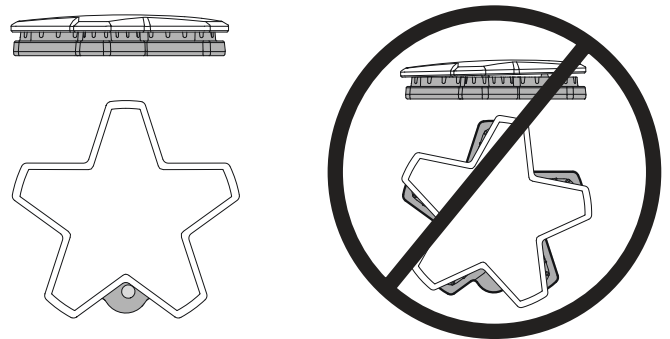
1. Place each burner cap on its correct burner base per its corresponding letter designation.



2. Place burner cap gently on top of base so that the prongs of the burner base fit snugly into the groove of the burner cap.

## Checking the burner cap placement

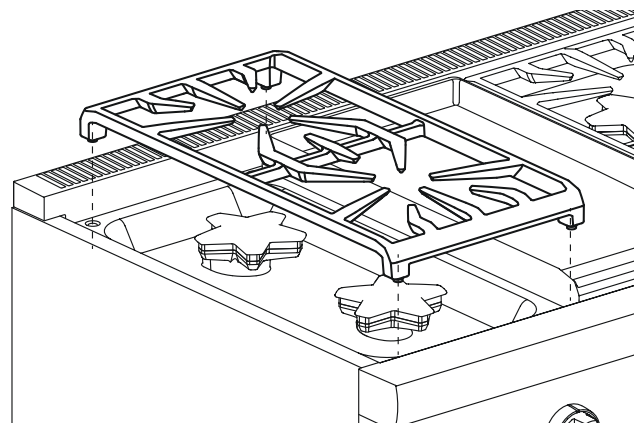
- Check each burner to make sure there is no gap between the burner cap and burner base.
- You may gently try to move the burner caps from side to side to check if the caps are properly placed on the burner bases.
- When properly placed, each burner cap will rest flat on top of its burner base, and completely cover the star-shape of the burner base when viewed from the top as shown below.



## Burner grate placement

### To install the burner grates

1. Place grates flat-side down and align into the rangetop recess.
2. Grates should rest flush against each other and against the sides of the recess.



## Control knobs

The control knobs for two sealed gas burners, one in front and one in the rear, are located directly in front of and below the pair of burners on the control panel.

## Operation of the burners

### To turn on the burners

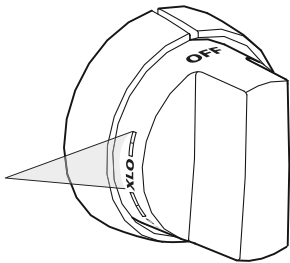
1. Press in on the knob and turn it counter-clockwise **HI**.
  - The igniter for the selected burner clicks and sparks.
  - After burner ignition, the igniter stops clicking.
2. Rotate the knob to any flame setting between **HI** and **LO**.

## LED panel light (select models)

Positioned below the bullnose, the LED panel light provides task lighting with a theatrical ambiance.

The panel light toggle switch on the control panel turns the light on and off.

## ExtraLow® burners



The drawing shows that the control knob has an additional range after the XLO setting. When the knob is set within this range, the flame cycles off and on.

By varying the length of time the flame is off and on, the heat is reduced even further to cook delicate foods. For example, these very low settings are suitable for simmering and poaching, melting chocolate and butter, holding cooked foods at temperatures without scorching or burning, etc.

### Operation of the ExtraLow® burners

- XLO, the very lowest setting, is achieved by cycling the flame on for approximately 10 seconds and off for 50 seconds of each minute.

- When the knob is set just below the XLO setting, the flame will cycle on for approximately 50 seconds and off for 10 seconds of each minute.
- To vary the amount of low heat to suit the food and quantity, the control can be set anywhere within the XLO range marked on the knob.

### ExtraLow® techniques

- To maintain a low or simmer heat, bring food to a rolling boil. Stir well, then cover the pan and lower the heat to a setting just below XLO.
- If a large pan is used, the simmer action may occur mainly in the center of the pan. To equalize the temperature throughout the food, stir the food around the outer edges of the pan into the food in the center.
- It is normal to stir food occasionally while simmering. This is especially important when simmering for several hours, such as for a homemade spaghetti sauce or beans.
- If the setting is too low to hold a simmer, bring the food back to a boil before re-setting to a higher heat.

## Automatic re-ignition

---

### ⚠ CAUTION

---

**DO NOT** touch the burners when the igniters are sparking.

---

Each burner has its own electronic igniter that sparks when the burner is turned on. Each burner should light in four seconds or less. If a burner does not light, check to see that the cap is positioned correctly on the base.

If any one or more burners blow out, the electronic igniter automatically activates to re-light the flame. Do not touch the burners when the igniters are active.

### IMPORTANT

- For proper combustion do not use the rangetop without the burner grates in place.
- There is a slight sound associated with gas combustion and ignition. This is a normal condition.
- On rangetops using propane gas (LP), a slight “pop” sound may be heard at the burner ports a few seconds after the burner has been turned off.

## Power failure

---

### **⚠ WARNING**

---

In the event of a power failure, turn all knobs to the OFF position. Only the standard burners can be lit manually.

---

- In the event of a power failure, only the standard burners can be manually lit. It is necessary to light each one individually.
- If the rangetop is being used when the power failure occurs, turn all knobs to the OFF position.
- The standard burners can be lit by holding a match at the ports and turning the control knob to the HI position. Wait until the flame is burning all around the burner cap before adjusting the flame to the desired height.
- The burners with the ExtraLow® feature cannot be used during a power failure. Be sure to turn them off.
- If a burner with ExtraLow is on when a power failure occurs, it cannot be turned back on until the knob is first turned off.
- If you smell gas, refer to safety precautions listed in the Safety chapter.

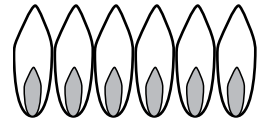
## Flame height

- The correct flame height depends on 1) size and material of pan being used; 2) food being cooked; and 3) amount of liquid in the pan.
- Never extend the flame beyond the base of the pan.
- Use a low or medium flame for pan materials that conduct the heat slowly, such as porcelain coated steel or glass-ceramic.

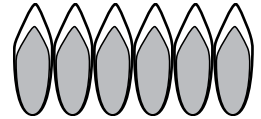
## Flame description

### Flame characteristics

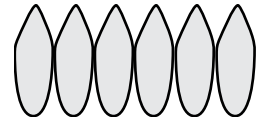
Yellow flames:  
Further adjustment is required.



Yellow tips on outer cones:  
Normal for LP Gas



Soft blue flames:  
Normal for natural gas



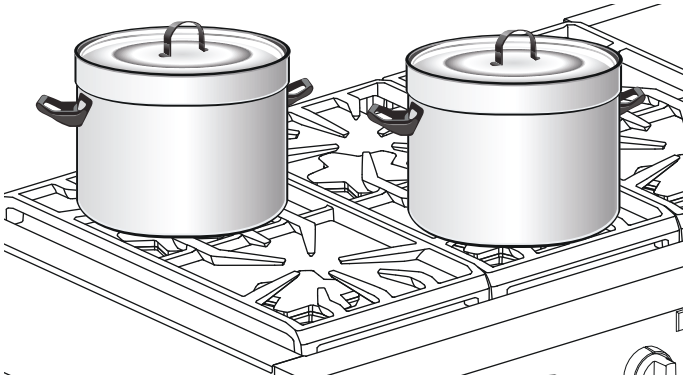
- If the flame is completely or mostly yellow, verify that the regulator is set for the correct fuel. After adjustment, retest.
- Some orange-colored streaking is normal during the initial start-up.
- The burner flame color should be blue with no yellow on the tips. It is not uncommon to see orange in the flame color; this indicates the burning of airborne impurities in the gas and will disappear with use.
- With propane (LP) gas, slight yellow tips on the primary cone are normal.
- The flame should burn completely around the burner cap. If it doesn't, check that the cap is positioned correctly on the base and that the ports are not blocked.
- The flame should be stable with no excessive noise or fluttering.

## Cookware recommendations

### ⚠ WARNING

To avoid risk of serious injury, damage to appliance or cookware, please observe the following:

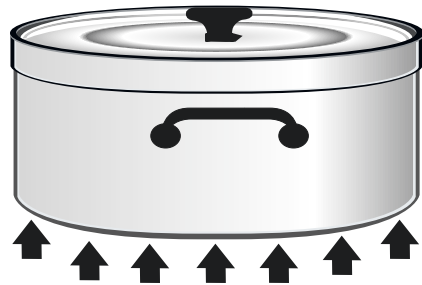
- Bakeware, such as large casserole pans, cookie sheets, etc. should never be used on the rangetop.
- Placement of large stock pots should be staggered when used on the rangetop.



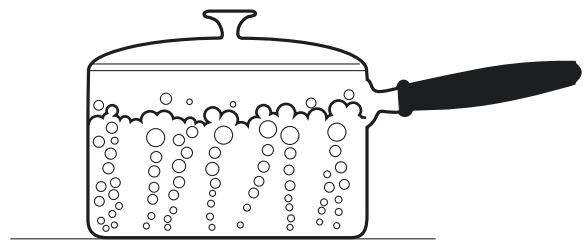
- Select the base diameter to match the diameter of the flame. The diameter of the flame should be the same size as the pan base or slightly smaller. Oversize or under size pans sacrifice cooking performance. A 5½" (140 mm) base size is generally the smallest recommended.
- Avoid using high flame setting with a pan larger than the grate or with one that spans more than one burner, such as a griddle, for prolonged periods of time. This can result in poor combustion that generates harmful by-products.
- Balance is important for stability and even cooking. The handle must not be heavier than the pan and tilt it unevenly. A pan must sit level on the grate without rocking or wobbling.



- Food packaged in aluminum foil should not be placed directly on the burner grate. Aluminum foil can melt during cooking.
- **DO NOT** let plastic, paper, or cloth come in contact with a hot burner grate. They may melt or catch fire.
- Professional quality pans with metal handles are recommended because plastic handles can melt or blister if the flame extends up the side of the pan.
- All cookware should have these characteristics: good heat conductivity, good balance, correctly sized base diameter, a heavy, flat base, and a proper fitting lid.
- For best cooking results, the flame should be contained under the bottom of the pan.
- Aluminum and copper are pan materials that conduct the heat quickly and evenly. These metals are sometimes attached to the base or in the core between stainless steel.
- A heavy, flat base is more apt to remain flat when heated. Pan bases that are warped, dented, ridged or too lightweight will heat unevenly. Heat and cool pans gradually to avoid sudden temperature changes which tend to distort cookware. **DO NOT** add cold water to a hot pan.



- A properly fitting lid will shorten cooking time and make it possible to use lower heat settings.



## Specialty cookware

### Woks

- Either flat-based or round-bottom woks with the accessory ring can be used on all models. Round bottom woks must be used with a support ring.
- The wok pan and the porcelain-coated cast iron wok support ring must be purchased separately.

### Canners and stock pots

- Select one with a base diameter that extends no more than 2" (51 mm) beyond the grate.

### Standard size water bath canner

- 21 to 22 quarts (19.95 to 20.9 liters), with an 11" to 12" base (279 – 305 mm) and a 9" to 11" depth (229 – 279 mm).

### Standard size pressure canner

- 8 to 22 quarts (7.6 to 20.9 liters), with an 8" to 11" base (203 – 279 mm) and a 6½" to 12" depth (165 – 305 mm).

### Canning tips

- A flat base pan is preferred to one with a concave, convex or rippled base.
- When using two canners at the same time, use staggered burners. **DO NOT** block air to the burners. A flame needs the right amount of air for complete combustion.
- Use a cover on the canner when bringing the contents to a boil.
- Once the contents have reached a boil on HI, use the lowest flame possible to maintain the boil or pressure.
- Canning produces a large amount of steam. Take precautions to prevent burns.

### Suggestions for using the surface burner cooking recommendations

- Use the chart beginning on page 19 as a guide. The settings you use will vary depending on the pans selected and the starting temperature of the food.
- On the chart, the "Finish setting" has been separated for the standard and ExtraLow<sup>®</sup> burners. There may or may not be a change between the two burner settings.
- The ExtraLow setting can be either a cooking or a holding setting.
- Raise or lower the flame setting gradually. Allow time for the pan and the food to adjust to the new setting.

## Surface burner cooking recommendations

Food	Start setting	Finish setting standard burners	Finish setting XLO® burners
Beverages Cocoa	MED – heat milk, cover	LO – finish heating	XLO – keep warm, cover
Breads French toast, pancakes, grilled sandwiches	MED – preheat skillet	LO to MED – cook	Same as for standard burners
Butter Melting	LO – to start melting		Allow 5 – 10 minutes to melt
Cereals Cornmeal, grits, oatmeal	HI – cover, bring water to a boil, add cereal	LO to MED – finish cooking according to package directions	Same as for standard burners XLO – to hold, cover
Chocolate Melting	XLO – may be stirred to hasten melting		XLO – allow 10 – 15 minutes to melt XLO – to hold
Desserts Candy	LO to MED – cook following recipe	LO to MED	Same as for standard burners
Pudding and pie filling mix	LO to MED LO – cook according to package directions	LO	Same as for standard burners
Pudding	LO to MED LO – bring milk to a boil	LO	Same as for standard Burners
Eggs Cooked in shell	MED HI – cover eggs with water, add lid, bring to boil		
Fried, scrambled	LO to MED – melt butter, add eggs	LO finish cooking	Same as for standard burners XLO – to hold for a short period
Poached	HI – bring water to the boiling point, add eggs	LO to MED – finish heating	Same as for standard burners
Meat, fish, poultry bacon, sausage patties	MED HI – until meat starts to sizzle	LO to MED – finish cooking	Same as for standard burners
Braising: Swiss steak, pot roast, stew meat	MED HI – melt fat, then brown on MED HI, add liquid, cover		XLO – Simmer until tender
Quick frying: Breakfast steaks	MED HI – preheat skillet	MED HI – fry quickly	Same as for standard burners
Frying: Chicken	MED HI – heat oil, then brown on MED	LO – cover, finish cooking	Same as for standard burners
Deep frying: Shrimp	MED HI – heat oil	MED to MED HI – to maintain temperature	Same as for standard burners
Pan frying: Lamb chops, thin steaks, hamburgers, link sausage	MED HI – preheat skillet	MED – brown meat	Same as for standard burners XLO – to hold
Poaching: Chicken, whole or pieces, fish	MED HI – Cover, bring liquids to a boil		To finish cooking

<b>Food</b>	<b>Start setting</b>	<b>Finish setting standard burners</b>	<b>Finish setting XLO® burners</b>
Simmering: Stewed chicken, corned beef, tongue, etc.	HI – cover, bring liquid to a boil		XLO – to simmer slowly XLO – to hold, cover
Pastas Macaroni, noodles, spaghetti	HI – bring water to a boil, add pasta	MED HI to HI – to maintain a rolling boil	Same as for standard burners
Popcorn (use a heavy, flat bottom pan)	HI – cover, heat until kernels start to pop	MED HI – finish popping	Same as for standard burners
Pressure cooker Meat	MED HI to HI – build up pressure	LO to MED – maintain pressure	Same as for standard burners
Vegetables	HI – build up pressure	LO to MED – maintain pressure	Same as for standard burners
Rice	HI – cover, bring water and rice to a boil	LO – to maintain Low Boil. Cover and cook until water is absorbed	Same as for standard burners XLO – to hold, cover
Sauces Tomato base	MED HI – cook meat/vegetables, follow recipe	LO – to maintain simmer	XLO – simmer to thicken sauce, uncovered
White cream, béarnaise	MED – melt fat, follow recipe	LO – finish cooking	XLO – to hold, cover
Hollandaise	XLO		XLO – to hold, lowest setting for short period, stir frequently
Soups, stock	HI – cover, bring liquid to a boil	LO to maintain simmer	Simmer XLO – to hold, cover
Vegetables Fresh	HI – cover, bring water and vegetables to a boil	LO to MED – cook 10 minutes, or until tender	Same as for standard burners XLO – to hold, cover
Frozen	HI – cover, bring water and vegetables to a boil	LO to MED – cook according to package directions	Same as for standard burners
Deep frying	HI – heat oil	MED to MED HI – maintain frying temperature	Same as for standard burners
In pouch	HI – bring water and pouch to a boil	LO to MED – cook according to package directions	Same as for standard burners
Sauté	HI – heat oil or melt butter, add vegetables	LO to MED – cook to desired doneness	Same as for standard burners
Stir fry	HI – heat oil, add vegetables	HI to MED HI – finish cooking	Same as for standard burners

# Electric griddle

## Description

---

### ⚠ CAUTION

---

The griddle element is hot after use. Allow sufficient time for griddle components to cool before cleaning.

---

### ⚠ WARNING

---

To avoid risk of injury, never operate the griddle without the griddle plate installed. Never use the griddle in a manner that is not prescribed by the Use and Care Guide.

---

**NOTE:** Not available on all models.

Griddle widths vary.

A maple chopping block and stainless steel cover are available as accessories and are purchased separately. The maple chopping block and stainless steel cover must be removed before turning the griddle on.

The griddle plate must always be in place when the griddle is turned on.

The griddle is electronically controlled with temperatures marked on the knob from 150° – 500°F (66° – 260°C). There are no fixed settings on the knob.

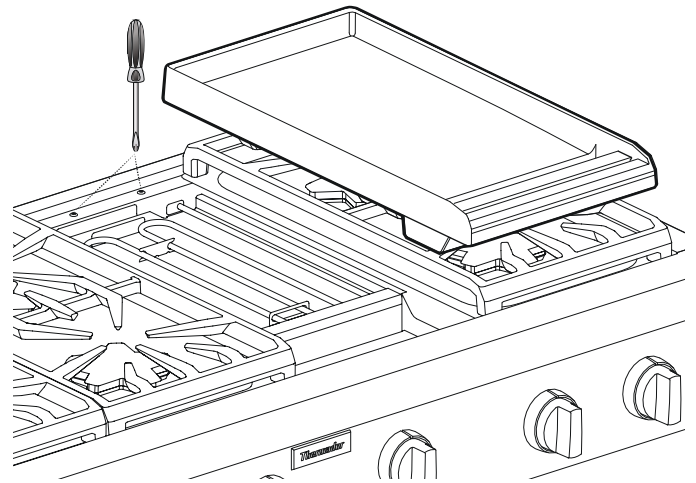
The 24" griddle models have two heating elements that can be regulated separately; one element for the left side of the griddle and another for the right side. This allows you to cook food with different temperature requirements at the same time.

## Preparing the griddle

### To prepare the griddle

1. The griddle plate should be washed with warm soapy water then rinsed with clear water prior to use.
2. Check the griddle plate adjustment by pouring two tablespoons of water on the back of the griddle plate.  
-- The water should slowly roll into the grease tray.
3. If water does not flow to the front of the griddle, move the griddle plate to the side.

4. Adjust the two screws under the back of the plate. Start with one half turn counterclockwise of the screws (below).



5. Further adjustment should be made by one-quarter turn until water slowly flows into the grease tray.

The griddle may be used without any butter, margarine or oil. However, a very small amount may be used to flavor foods.

**DO NOT** use metal utensils on the griddle surface. Care should be taken that the surface is not gouged when utensils are used. **DO NOT** cut directly on the griddle plate.

**NOTICE:** Performance may vary if there is an excessive amount of airflow in the vicinity of the appliance. The excessive airflow could be from an air-conditioning register or ceiling fan blowing at the rangetop. This could create longer than normal heat-up time, or it could cause the temperature to be higher or lower than the knob setting.

**NOTE:** Having a properly installed ventilation hood is not considered a source of excessive airflow.

## Cooking on the griddle

### To cook on the griddle

1. Press and turn the knob clockwise to the appropriate cooking temperature to preheat the griddle.
2. Preheat the griddle.
3. Add butter, margarine, oil or shortening if desired.

Use the lowest cooking temperature possible. Recipes may need to be modified as the non-stick coating browns and sears at lower temperatures.

## 12" griddle cooking recommendations

Food *	Setting
Eggs	325° – 350°F
Bacon, breakfast sausage	450° – 475°F
Toasted sandwiches	375° – 400°F
Boneless chicken breasts	425° – 450°F
Boneless pork chops, 1" (25.4 mm)	425° – 450°F
Steaks, 1" (25.4 mm) thick	450° – 475°F
Ground beef patties, 6 oz.	450° – 475°F
Ground turkey patties, 6 oz.	450° – 475°F
Hot dogs	350° – 375°F
Ham slices, ½" (12.7 mm) thick	350° – 375°F
Pancakes, French toast	400° – 425°F
Potatoes, hashbrowns	400° – 425°F

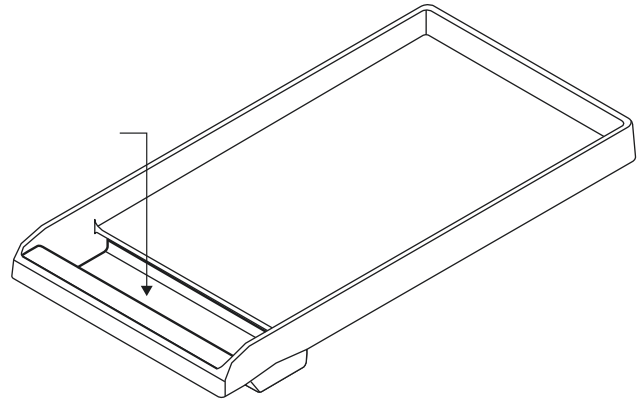
\* Level foods to a uniform thickness to ensure even cooking.

## 24" griddle cooking recommendations

Food *	Setting
Eggs	275° – 300°F
Bacon, breakfast sausage	400° – 450°F
Toasted sandwiches	350° – 375°F
Boneless chicken breasts	400° – 425°F
Boneless pork chops, 1" (25.4 mm)	400° – 425°F
Steaks, 1" (25.4 mm)	425° – 450°F
Ground beef patties, 6 oz.	400° – 425°F
Ground turkey patties, 6 oz.	400° – 425°F
Hot dogs	300° – 350°F
Ham slices, ½" (12.7 mm) thick	350° – 375°F
Pancakes, French toast	350° – 375°F
Potatoes, hashbrowns	400° – 425°F

\* Level foods to a uniform thickness to ensure even cooking.

## Griddle grease tray



- Clean the tray after every use. When removing the tray, use care when tipping it so that the contents do not spill.
- The grease tray is dishwasher safe.
- After cooling, pour the grease into a grease-resistant container for disposal.

## Care and cleaning the griddle plate

- **NEVER** flood a hot griddle plate with cold water. This can damage the griddle plate.
- **DO NOT** clean the griddle plate in a self-cleaning oven.
- **DO NOT** heat cookware on the griddle surface.
- Care should be taken to avoid scratching or gouging the surface.
  - **DO NOT** cut food directly on the griddle plate.
  - **DO NOT** use metal utensils.
  - Use plastic or wood utensils to avoid scratching the non-stick surface.
- The griddle plate is dishwasher safe, however, hand washing the griddle plate is recommended.

## Seasoning the griddle plate

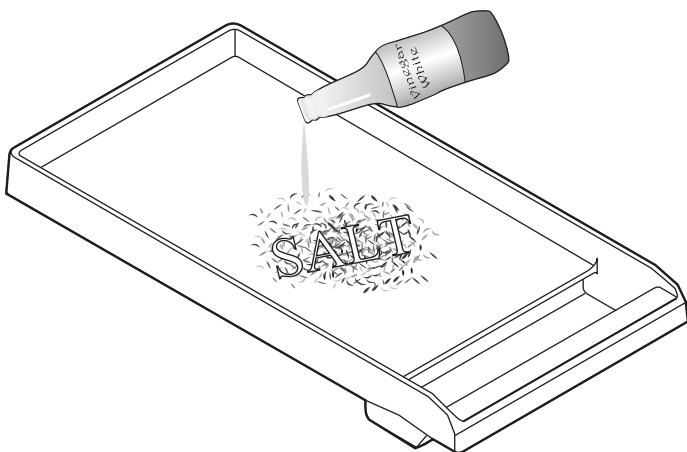
If the griddle plate seems to lose its non-stick abilities over time, the following instructions should help regain the griddle's non-stick properties. For optimal performance and long life of your griddle plate, follow these simple cleaning and seasoning instructions.

**NOTE:** 24" griddles will not fit in the oven cavity for seasoning. Therefore, care should be taken not to overheat and damage their non-stick coatings while preheating and cooking.

### To prepare the griddle for seasoning

The griddle plate must be clean and all residue removed before the griddle plate is seasoned.

1. Use a mixture of coarse salt and a small amount of white vinegar to buff off any residue from the griddle plate.

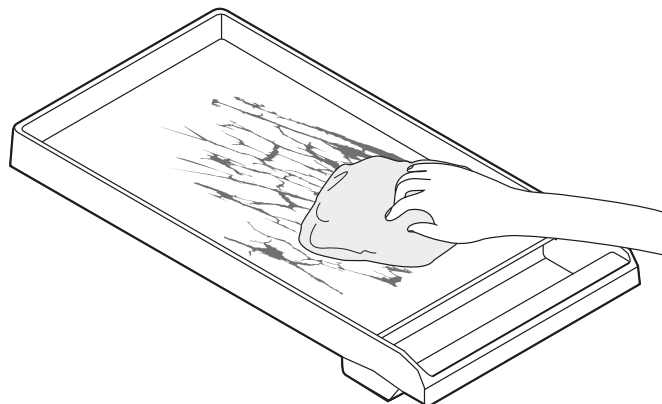


2. Rinse well with clean water.
3. Dry the griddle plate thoroughly.

### To season the griddle

Seasoning is a process by which a layer of animal fat or vegetable oil is applied and baked into the cookware. The seasoning layer provides a non-stick surface for cooking.

1. Use a paper towel to apply a thin, even coating of lard, shortening, or olive oil to the griddle surface.



2. Bake the griddle plate in a 350°F oven for 1 hour.
3. Remove the griddle plate from the oven and allow to cool to room temperature.
4. Apply a second layer of fat or oil and bake at 350°F for 1 hour.
5. Repeat process at least one additional time – making 3 coats of oil or fat.

### After seasoning

1. After cooking on your seasoned griddle, allow to cool and wipe clean with a damp cloth. Allow to dry.
2. Add a thin coating of oil or fat before storing your griddle in a cool, dry place.
3. Repeating this process will season the griddle and maintain non-stick properties. Performance will improve over time with more seasoning.
4. To strip the griddle to re-season, a mixture of salt and vinegar should be used to remove any oil layers from the previous seasoning process.

# Electric grill

## Description

### ⚠ WARNING

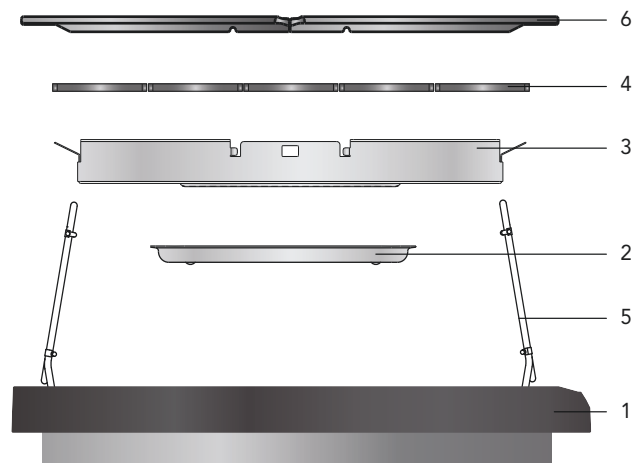
- To avoid risk of injury, **NEVER** operate grill without the grates or griddle plate accessory installed.
- **NEVER** leave grill unattended while cooking.
- Observe caution with oils and fats. Overheated oils and fats can easily cause fires.
- **DO NOT** use wood chips, lava rocks, or charcoal briquettes. Only use recommended ceramic briquettes (PABRICKBKN).
- **DO NOT** use dishes, pans, pots, or other cookware on the grill.
- **NEVER** use aluminum foil to cover the grates or to line the grill. It can damage the grill and cause a fire hazard if heat is trapped under it.
- Check drip tray before each use. Too much grease in the tray may cause a fire hazard.
- If flames appear, grease should be cleaned from grates, drip tray, briquette basket and other surfaces.
- Grease build up encourages flame and smoke development while cooking.
- Ceramic briquettes must be replaced when they begin to turn black. This means that they are saturated with fat and may smoke heavily during operation or the fat may catch fire.

**NOTE:** Not available on all models.

The built-in grill is made of restaurant-quality cast iron grates. This produces a surface with even heat that is easy to clean.

A non-stick cast iron griddle plate is available as an accessory and may be purchased separately. See the instructions that come with the griddle plate accessory for more details.

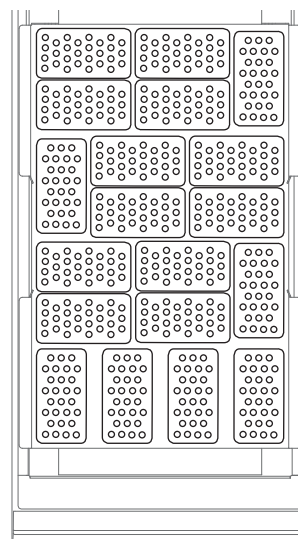
## Assembling the grill



- 1 Grill housing
- 2 Drip tray
- 3 Briquette basket
- 4 Ceramic briquettes
- 5 Heating element (x2)
- 6 Grill grate (x2)

### To assemble the grill

1. Rotate heating elements (5) up and remove the briquette basket (3) stored inside the grill housing (1).
2. Place the drip tray (2) in the bottom of the grill housing (1). (Drip tray is packaged in the large cardboard box that was on top of the appliance.) Align the embosses of the drip tray (2) with the depressions on the bottom of the grill housing (1).
3. Place the briquette basket (3) in the grill housing (1).
4. Arrange the ceramic briquettes (4) on the briquette basket (3), in a single layer. The ceramic briquettes should not contact the heating elements.



5. Fold both grill heating elements (5) down. The grill heating elements must lie flat. Supports should rest inside of side notches.
6. Install the grill grates (6). Ensure grates are seated level inside the grill housing (1).

## Operating the grill

---

### ▲ WARNING

---

#### TO AVOID RISK OF BURNS:

- Use proper utensils with long handles that allow the chef plenty of clearance from the heat and potential flare ups.
  - **DO NOT** wear loose clothing while cooking.
  - Never leave grill unattended while cooking.
  - After each use, remove grease buildup from the grill surfaces and the trays below the grill to avoid risk of fire. Ventilation hoods should also be cleaned periodically as needed and as recommended by the Use and Care Guide as well as surrounding surfaces.
  - Keep a fire extinguisher nearby and accessible.
- 

---

### ▲ CAUTION

---

Clean the grill after each use. Allow the appliance to cool before cleaning.

---

#### IMPORTANT:

- If flames appear while grilling, turn off heat and remove the food. Use caution to avoid any potential injury while removing food.
- Often, such flames will extinguish themselves within a few minutes once grease drippings have burned up. **DO NOT** leave the grill unattended until all flames are extinguished. If desired, flames can be extinguished by generously shaking baking soda or salt over them to smother the fire.
- If flames appear, ceramic briquettes should be replaced and grease should be cleaned from grates, grease tray, briquette basket, and other surfaces before using the grill again. Built up grease which is allowed to remain encourages flame and smoke development while cooking.
- Moist food should be dried, before placing on grill.
- Marinated food may cause more smoke to be produced!
- During grilling, dripping fat may flare up briefly.

#### To operate the grill

1. Start overhead ventilation system 10 minutes prior to grilling to begin air movement.
2. The grill grates should be washed with warm soapy water then rinsed with clear water prior to use.
3. Before turning on, make sure that there are ceramic briquettes in the appliance and both grill grates are correctly fitted.
4. Press and turn the knob to the desired temperature setting.
  - The two grill heating elements can be regulated separately. This allows you to grill food with different temperature requirements at the same time, or you can use one area to grill and the other to keep warm.
5. During the initial use, heat the grill for about 10 minutes to eliminate manufacturing residues and smells.
6. For best results, allow the grill grates to preheat before placing food on them.

#### Grilling tips

- The grill should be preheated a minimum of 10 minutes before cooking. Depending on browning preference and the types of food being prepared, as much as 15 minutes of preheat time may be required.
- Soak wooden skewers in water a minimum 20 minutes before placing on the grill.
- Prior to grilling, you can coat the food with heat-resistant oil (e.g. peanut oil) or marinate it. Make sure not to use too much oil/marinade, as otherwise it may catch fire and generate thick smoke.
- Lay the food directly on the grill grates. **DO NOT** use aluminum foil or grill trays.
- Cured meat, such as ham or smoked pork chops, is not suitable for grilling. Unhealthy chemical compounds may form.
- To prevent flare-ups, remove excess fat from foods prior to grilling.
- **DO NOT** use cleaners on the heating elements. Allow grease to burn off the heating elements.
- To soak up fat on the grill plate, sprinkle coarse salt onto the grilling surface after use.

## Grill cooking recommendations

### IMPORTANT:

- **GRILL SHOULD NOT BE OPERATED WITHOUT PROPER VENTILATION.**
- Foods with excessive fat or grease should not be prepared on an indoor grill. Grilling foods with high fat content (certain types of ground beef, sausage, etc) increases the chances of smoke and flames.

Food*	Setting**	Cook time (minutes)	Notes
<b>Beef</b>			
Hamburgers, ¾" (2 cm) (medium)	High	12 – 14	Ready to turn once juices appear on the surface.
T-Bone steak, 1½" (4 cm) (medium)	High	20 – 22	Remove excess fat.
Ribeye or sirloin, 1" (3 cm) (medium)	High	10 – 12	Remove excess fat.
Kebabs, steak (medium)	High	24 – 28	Turn occasionally.
<b>Pork</b>			
Pork chops, ¾" (2 cm)	High	16 – 20	Remove excess fat.
Sausages or bratwurst	Med high	16 – 20	Pierce before grilling.
Hot dogs	High	6 – 8	Place on grill horizontally.
<b>Poultry</b>			
Legs and thighs	Med high	34 – 38	Turn occasionally, remove excess skin.
Chicken wings, whole	Med high	18 – 22	Turn occasionally.
Chicken breasts, ½" (1 cm), boneless	Med high	20 – 24	Pound to an even thickness before cooking.
Kebabs, chicken	High	30 – 33	Turn occasionally.
<b>Seafood</b>			
Fish steak, 2" (6 cm)	Med high	18 – 20	Brush with oil before grilling.
Fish fillet, ¾" (2 cm)	Med high	16 – 20	Brush with oil before grilling.
Shrimp skewers	Med high	10 – 14	Turn occasionally.
<b>Produce</b>			
Portobello mushrooms	High	8 – 10	Brush with oil.
Bell peppers, quartered	High	8 – 10	Turn occasionally.
Eggplant, sliced, ½" (1 cm)	High	8 – 10	Brush lightly with oil.
Tomatoes, halves	High	8 – 10	Brush with oil.
Pineapple, sliced	High	4 – 6	—
Peaches, halves	High	4 – 6	—
<b>Other</b>			
Hamburger or hot dog buns	Med high	4 – 6	Brush with butter.
Tofu, extra firm, sliced	Med high	8 – 12	Skewer for easier grilling.

\* Level foods to a uniform thickness to ensure even cooking.

\*\* The values in the settings table should only be regarded as guidelines, since more or less heat may be required depending on the type and condition of the food.

# Care and maintenance

## Appliance cleaning tips

### Cleaning recommendations

Part/material	Cleaning notes
Burner base / brass Burner cap / cast iron	<ul style="list-style-type: none"><li>• A stiff nylon bristle tooth brush can be used to clean port openings.</li><li>• After cleaning, make sure that the burner cap is correctly seated on the burner base.</li><li>• <b>DO NOT</b> scratch or gouge the port openings of burner cap.</li><li>• Suggested cleaners; rinse and dry immediately:<ul style="list-style-type: none"><li>-- Hot water and detergent</li><li>-- Bon-ami<sup>®</sup></li><li>-- Barkeepers Friend<sup>®</sup></li><li>-- Wright's<sup>®</sup> All Purpose Brass Polish</li><li>-- Kleen King<sup>®</sup></li></ul></li></ul>
Bezels and control knobs / chrome, metal	<ul style="list-style-type: none"><li>• <b>DO NOT</b> soak knobs.</li><li>• <b>DO NOT</b> force knobs onto wrong valve shaft.</li><li>• Suggested cleaners; rinse and dry immediately:<ul style="list-style-type: none"><li>-- Hot water and detergent</li></ul></li></ul>
Ceramic briquettes, briquette basket, and grill drip tray	<ul style="list-style-type: none"><li>• Suggested cleaning for ceramic briquettes;<ol style="list-style-type: none"><li>1) Gently place grease-saturated ceramic briquettes in a 6 quart or larger pot.</li><li>2) Fill the pot with clean water so that all ceramic briquettes are covered at least ½" deep.</li><li>3) Bring the water to a steady boil. Once reaching a steady boil, continue to boil for 10 minutes.</li><li>4) Remove heat and allow ceramic briquettes to cool to a safe temperature.</li><li>5) Pour water off of ceramic briquettes and pat them dry on old towels or paper towels.</li><li>6) Allow ceramic briquettes to air dry for at least two hours. Some visible grease stains may remain on briquettes after cleaning.</li><li>7) Reassemble clean, dry briquettes back into the grill before using the grill again.</li></ol></li><li>• New ceramic briquettes can be purchased from the Thermador eShop (order number PABRICKBKN). See the back cover for support information.</li><li>▲ <b>CAUTION</b><p>Ceramic briquettes must be replaced when they begin to turn black. This means that they are saturated with fat and may smoke heavily during operation or the fat may catch fire.</p></li><li>• Suggested cleaners for basket and drip tray; rinse and dry immediately:<ul style="list-style-type: none"><li>-- Hot water and detergent</li><li>-- Dishwasher safe</li></ul></li></ul>

Part/material	Cleaning notes
Exterior finish / stainless steel	<ul style="list-style-type: none"> <li>• Stainless steel resists most food stains and pit marks providing the surface is kept clean and protected. Never allow food stains or salt to remain on stainless steel for any length of time.</li> <li>• Wipe off any smoke residue that remains on the front frame with Fantastik® or Bar Keeper's Friend® cleaners. If stain remains, use a mild liquid cleanser. The amount of smoke stain is directly related to the amount of food soil left in the oven at the time of self-cleaning. Clean the oven often.</li> <li>• Rub lightly in the direction of polish lines.</li> <li>• Chlorine or chlorine compounds in some cleaners are corrosive to stainless steel. Check ingredients on label.</li> <li>• Suggested cleaners; rinse and dry immediately: <ul style="list-style-type: none"> <li>-- Hot water and detergent</li> <li>-- Fantastik®</li> <li>-- Siege® Stainless Steel and Aluminum Cleaner</li> <li>-- Kleen King® Stainless Steel Liquid Cleaner</li> <li>-- Cleaner polish: Stainless Steel Magic® to protect the finish from staining and pitting; enhances appearance.</li> <li>-- Thermador Stainless Steel Conditioner (00576697)</li> <li>-- For hard water spots use household vinegar.</li> </ul> </li> <li>• For heat discoloration; rinse and dry immediately: <ul style="list-style-type: none"> <li>-- Barkeepers Friend®</li> <li>-- Wright's® All Purpose Brass Polish</li> </ul> </li> </ul>
Grates / porcelain enamel on cast iron	<ul style="list-style-type: none"> <li>• The grates are heavy; use care when lifting. Place on a protected surface. <b>DO NOT</b> clean grates in a self-cleaning oven.</li> <li>• The rough texture of the grate can sometimes remove aluminum deposits from the bottom of pans and fill in areas between the high spots on the surface of the grate. Use special care when cooking with copper and aluminum pots and pans as this type of cookware can sometimes leave metal deposits on the grates.</li> <li>• Blisters/ crazing/ chips are common due to the extreme temperatures on grate fingers and rapid temperature changes.</li> <li>• Acidic and sugar-laden spills deteriorate the enamel. Remove soil immediately once the grate has cooled.</li> <li>• Abrasive cleaners, used too vigorously or too often can eventually mar the enamel.</li> <li>• Suggested cleaners; rinse and dry immediately: <ul style="list-style-type: none"> <li>-- Hot water and detergent</li> <li>-- Fantastik®</li> <li>-- Bon-ami®</li> <li>-- Soft Scrub®</li> </ul> </li> <li>• Stubborn stains; rinse and dry immediately: <ul style="list-style-type: none"> <li>-- Soap-filled steel wool pad</li> <li>-- Lestoil®</li> <li>-- Other degreaser</li> </ul> </li> <li>• Metal deposits: <ul style="list-style-type: none"> <li>-- Scotch Brite™ scrub sponge</li> <li>-- Course steel wool pad</li> </ul> </li> </ul>

Part/material	Cleaning notes
Griddle / aluminum with non-stick coating	<ul style="list-style-type: none"> <li>• <b>NEVER</b> flood a hot griddle with cold water. This can warp or crack the aluminum plate.</li> <li>• <b>DO NOT</b> clean any part of the griddle in a self-cleaning oven.</li> <li>• Wipe griddle surface with warm soapy water then rinse with warm water. Wipe dry with a soft cloth.</li> <li>• If food particles stick to the griddle plate, remove with a mild abrasive cleaner such as Soft Scrub®.</li> <li>• Suggested cleaners; rinse and dry immediately: <ul style="list-style-type: none"> <li>-- Hot water and detergent</li> <li>-- Dishwasher safe</li> <li>-- Soft Scrub®</li> </ul> </li> </ul>
Griddle grease tray	<ul style="list-style-type: none"> <li>• Remove tray after grease has cooled. Be careful not to fill it so full that tipping to remove it spills the grease. Discard grease into a grease resistant container for disposal.</li> <li>• Clean the grease tray after each use.</li> <li>• Suggested cleaners; rinse and dry immediately: <ul style="list-style-type: none"> <li>-- Hot water and detergent</li> <li>-- Dishwasher safe</li> <li>-- Soft Scrub®</li> </ul> </li> </ul>
Grill grates / porcelain enamel on cast iron	<ul style="list-style-type: none"> <li>• Clean the grates after each use.</li> <li>• Place the grill grate into a sink and pour boiling hot water over the grate. Lay a dish towel on top of the grate and pour more hot water over the towel. Allow the water to soak into the residue. Scrape away debris with a soap-filled scouring pad.</li> <li>• Stubborn soil: Soft Scrub®.</li> <li>• Suggested cleaners; rinse and dry immediately: <ul style="list-style-type: none"> <li>-- Hot water and detergent</li> <li>-- Dishwasher safe</li> <li>-- Soft Scrub®</li> <li>-- Soft brass wire brush for stubborn residues. Hard steel wire brushes could scratch the porcelain grate coating and cause premature oxidation of the grate.</li> </ul> </li> <li>• Stubborn stains; rinse and dry immediately: <ul style="list-style-type: none"> <li>-- Soap-filled steel wool pad</li> <li>-- Lestoil®</li> <li>-- Other degreaser</li> </ul> </li> </ul>
Igniters / ceramic	<ul style="list-style-type: none"> <li>• <b>DO NOT</b> use sharp tools to scrape the igniters. The igniters are fragile. If an igniter is damaged, it may not light the burner.</li> <li>• Suggested cleaners: <ul style="list-style-type: none"> <li>-- Cotton swab dampened with soapy water</li> <li>-- Fantastik®</li> </ul> </li> </ul>
Surface spill trays / porcelain enamel	<ul style="list-style-type: none"> <li>• The porcelain enamel finish is acid resistant, but not acid proof. Acidic foods, such as citrus juices, tomatoes, rhubarb, vinegar, alcohol or milk, should be wiped up and not allowed to bake onto the porcelain during the next use.</li> <li>• If mild abrasive cleaners are used, rub lightly as these cleansers may scratch the finish.</li> <li>• For burned on foods, soap filled fiber or steel wool pads may be used but care must be taken as these may scratch the finish.</li> <li>• Suggested cleaners; rinse and dry immediately: <ul style="list-style-type: none"> <li>-- Hot water and detergent</li> <li>-- Soft Scrub®</li> <li>-- Bar Keeper's Friend®</li> <li>-- Bon-ami®</li> </ul> </li> <li>• Stubborn stains; rinse and dry immediately: <ul style="list-style-type: none"> <li>-- Soap-filled fiber or steel wool pad</li> </ul> </li> </ul>

# Before calling for service

## Troubleshooting

Symptom	Possible cause/s	Remedy
Intermittent igniter sparking:	<ul style="list-style-type: none"><li>• Ceramic igniter is wet or dirty.</li><li>• Burner ports are clogged.</li></ul>	<ul style="list-style-type: none"><li>• Carefully dry or clean the igniter.</li><li>• Clean ports on burner cap with a wire, a needle or straightened paper clip.</li></ul>
More than four clicks of igniter before lighting:	<ul style="list-style-type: none"><li>• Improper fit of burner cap onto burner base.</li></ul>	<ul style="list-style-type: none"><li>• Align burner cap properly on burner base.</li></ul>
Constant igniter sparking:	<ul style="list-style-type: none"><li>• Appliance is not properly grounded.</li><li>• Electrical power supply is incorrectly polarized.</li></ul>	<ul style="list-style-type: none"><li>• Refer to the Installation Manual. Have a qualified electrician ground the appliance properly.</li></ul>
Igniters sparking but no flame ignition:	<ul style="list-style-type: none"><li>• Gas supply valve is in "OFF" position.</li></ul>	<ul style="list-style-type: none"><li>• Restore gas supply to the unit.</li></ul>
Rangetop will not operate (lights and surface burners will not come on):	<ul style="list-style-type: none"><li>• No power to the unit.</li></ul>	<ul style="list-style-type: none"><li>• Check for open circuit breaker.</li><li>• Check that power supply line connection is connected to the proper voltage.</li></ul>
Foods are not cooking sufficiently:	<ul style="list-style-type: none"><li>• Improper cookware.</li><li>• Appliance not level.</li></ul>	<ul style="list-style-type: none"><li>• Refer to the cookware recommendations in this Use and Care Guide.</li></ul>

### Checklist

Before calling for service, check the following to avoid unnecessary service charges.

#### Be sure to check these items first:

- Is there a power outage in the area?
- Is the household fuse blown or the circuit breaker tripped?
- Is the rangetop disconnected from the electrical supply?

#### If the burners do not ignite:

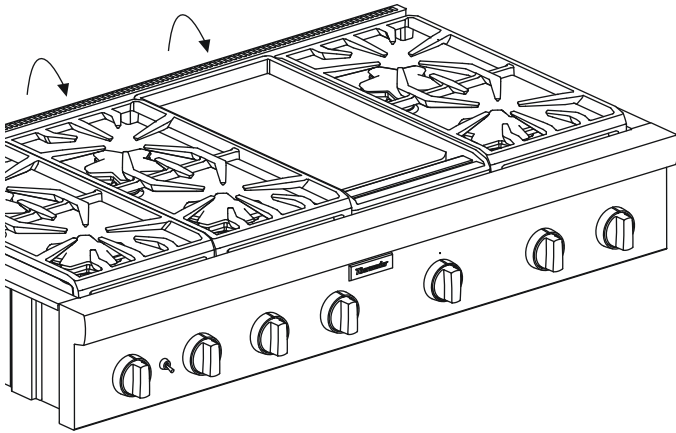
- Are the burner caps properly aligned and seated in the burner bases?
- Are the burner ports clogged?
- Is a fuse blown or is the circuit breaker tripped?
- Is the manual shut-off valve closed, preventing the flow of gas?

# Service information

## Data rating label

The service label, showing the model and serial numbers of your rangetop, is located on the bottom of the rangetop chassis. This information is required if customer service is requested.

Before installation, the model and serial numbers should be entered in the appropriate spaces on this page. After installation, accessing the information is difficult.



## Product information

For handy reference, copy the information below from the data rating label. Keep your invoice for warranty validation.

Model number \_\_\_\_\_

Serial number \_\_\_\_\_

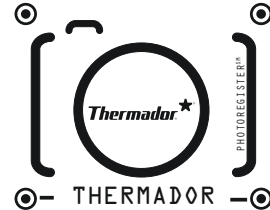
Date of purchase \_\_\_\_\_


# Product registration

Register your BSH product to ensure timely service and access to your product related information.

**You may register your product through one of the following ways:**

- Register with your phone (USA only).
  1. Take a photo of the camera icon on the registration card, including the points (⊙).



2.  Text the photo to 21432. (USA only, text and data rates may apply.)
- Mail in the completed product registration card to the address printed on the card.
  - Register your product online at [www.thermador.com](http://www.thermador.com).
  - Call Thermador customer service at 1-800-735-4328.

# Statement of limited product warranty

## What this warranty covers and who it applies to

The limited warranty provided by BSH Home Appliances ("Thermador") in this Statement of Limited Product Warranty applies only to the Thermador appliance sold to you, the first using purchaser, provided that the Product was purchased:

- For your normal, household (non-commercial) use, and has in fact at all times only been used for normal household purposes.
- New at retail (not a display, "as is", or previously returned model), and not for resale, or commercial use.
- Within the United States or Canada, and has at all times remained within the country of original purchase.

The warranties stated herein apply to the original purchaser of the product warranted herein and to each succeeding owner of the product purchased for ordinary home use during the term of the warranty.

Please make sure to return your registration card; while not necessary to effectuate warranty coverage, it is the best way for Thermador to notify you in the unlikely event of a safety notice or product recall.

## How long the warranty lasts

Thermador warrants that the Product is free from defects in materials and workmanship for a period of seven hundred and thirty (730) days from the date of purchase. The foregoing timeline begins to run upon the date of purchase, and shall not be stalled, tolled, extended, or suspended, for any reason whatsoever.

This Product is also warranted to be free from cosmetic defects in material and workmanship (such as scratches of stainless steel, paint/porcelain blemishes, chips, dents, or other damage to the finish) of the Product, for a period of sixty (60) days from the date of purchase or closing date for new construction. This cosmetic warranty excludes slight color variations due to inherent differences in painted and porcelain parts, as well as differences caused by kitchen lighting, product location, or other similar factors. This cosmetic warranty specifically excludes any display, floor, "As Is", or "B" stock appliances.

## Repair/replace as your exclusive remedy

During this warranty period, Thermador or one of its authorized service providers will repair your Product without charge to you (subject to certain limitations stated herein) if your Product proves to have been manufactured with a defect in materials or workmanship. If reasonable attempts to repair the Product have been made without success, then Thermador will replace your Product (upgraded models may be available to you, in Thermador's sole discretion, for an additional charge). All removed parts and components shall become the property of Thermador at its sole option. All replaced and/or repaired parts shall assume the identity of the original part for purposes of this warranty and this warranty shall not be extended with respect to such parts.

Thermador's sole liability and responsibility hereunder is to repair manufacturer-defective Product only, using a Thermador authorized service provider during normal business hours.

For safety and property damage concerns, Thermador highly recommends that you do not attempt to repair the Product yourself, or use an unauthorized servicer; Thermador will have no responsibility or liability for repairs or work performed by a non-authorized servicer. If you choose to have someone other than an authorized service provider work on your Product, THIS WARRANTY WILL AUTOMATICALLY BECOME NULL AND VOID. Authorized service providers are those persons or companies that have been specially trained on Thermador products, and who possess, in Thermador's opinion, a superior reputation for customer service and technical ability (note that they are independent entities and are not agents, partners, affiliates or representatives of Thermador). Notwithstanding the foregoing, Thermador will not incur any liability, or have responsibility, for the Product if it is located in a remote area (more than 100 miles from an authorized service provider) or is reasonably inaccessible, hazardous, threatening, or treacherous locale, surroundings, or environment; in any such event, if you request, Thermador would still pay for labor and parts and ship the parts to the nearest authorized service provider, but you would still be fully liable and responsible for any travel time or other special charges by the service company, assuming they agree to make the service call.

## Out of warranty product

Thermador is under no obligation, at law or otherwise, to provide you with any concessions, including repairs, pro-rates, or Product replacement, once this warranty has expired.

## Warranty exclusions

The warranty coverage described herein excludes all defects or damage that are not the direct fault of Thermador, including without limitation, one or more of the following:

- Use of the Product in anything other than its normal, customary and intended manner (including without limitation, any form of commercial use, use or storage of an indoor product outdoors, use of the Product in conjunction with air or water-going vessels).
- Any party's willful misconduct, negligence, misuse, abuse, accidents, neglect, improper operation, failure to maintain, improper or negligent installation, tampering, failure to follow operating instructions, mishandling, unauthorized service (including self-performed "fixing" or exploration of the appliance's internal workings).
- Adjustment, alteration or modification of any kind.
- A failure to comply with any applicable state, local, city, or county electrical, plumbing and/or building codes, regulations, or laws, including failure to install the product in strict conformity with local fire and building codes and regulations.
- Ordinary wear and tear, spills of food, liquid, grease accumulations, or other substances that accumulate on, in, or around the Product.
- Any external, elemental and/or environmental forces and factors, including without limitation, rain, wind, sand, floods, fires, mud slides, freezing temperatures, excessive moisture or extended exposure to humidity, lightning, power surges, structural failures surrounding the appliance, and acts of God.

In no event shall Thermador have any liability or responsibility whatsoever for damage to surrounding property, including cabinetry, floors, ceilings, and other structures or objects around the Product. Also excluded from this warranty are products on which the serial numbers have been altered, defaced, or removed; service visits to teach you how to use the Product, or visits where there is nothing wrong with the Product; correction of installation problems (you are solely responsible for any structure and setting for the Product, including all electrical, plumbing or other connecting facilities, for proper foundation/flooring, and for any alterations including without limitation cabinetry, walls, floors, shelving, etc.); and resetting of breakers or fuses.

TO THE EXTENT ALLOWED BY LAW, THIS WARRANTY SETS OUT YOUR EXCLUSIVE REMEDIES WITH RESPECT TO PRODUCT, WHETHER THE CLAIM ARISES IN CONTRACT OR TORT (INCLUDING STRICT LIABILITY, OR NEGLIGENCE) OR OTHERWISE. THIS WARRANTY IS IN LIEU OF ALL OTHER WARRANTIES, WHETHER EXPRESS OR IMPLIED. ANY WARRANTY IMPLIED BY LAW, WHETHER FOR MERCHANTABILITY OR FITNESS FOR A PARTICULAR PURPOSE, OR OTHERWISE, SHALL BE EFFECTIVE ONLY FOR THE PERIOD THAT THIS EXPRESS LIMITED WARRANTY IS EFFECTIVE. IN NO EVENT WILL THE MANUFACTURER BE LIABLE FOR CONSEQUENTIAL, SPECIAL, INCIDENTAL, INDIRECT, "BUSINESS LOSS", AND/OR PUNITIVE DAMAGES, LOSSES, OR EXPENSES, INCLUDING WITHOUT LIMITATION TIME AWAY FROM WORK, HOTELS AND/OR RESTAURANT MEALS, REMODELLING EXPENSES IN EXCESS OF DIRECT DAMAGES WHICH ARE DEFINITELY CAUSED EXCLUSIVELY BY THERMADOR, OR OTHERWISE. SOME STATES DO NOT ALLOW THE EXCLUSION OR LIMITATION OF INCIDENTAL OR CONSEQUENTIAL DAMAGES, AND SOME STATES DO NOT ALLOW LIMITATIONS ON HOW LONG AN IMPLIED WARRANTY LASTS, SO THE ABOVE LIMITATIONS MAY NOT APPLY TO YOU. THIS WARRANTY GIVES YOU SPECIFIC LEGAL RIGHTS, AND YOU MAY ALSO HAVE OTHER RIGHTS WHICH VARY FROM STATE TO STATE.

No attempt to alter, modify or amend this warranty shall be effective unless authorized in writing by an officer of BSH.

# Table des MATIÈRES

Sécurité .....	35
Consignes de sécurité importantes.....	35
Description.....	41
Identification des pièces.....	41
Disposition des brûleurs de la table de cuisson .....	42
Avant de commencer.....	44
Mise en route.....	44
Utilisation de la table de cuisson .....	45
Brûleurs STAR® scellés.....	45
Brûleurs ExtraLow® .....	46
Plaque chauffante électrique.....	52
Gril électrique.....	55
Entretien et nettoyage .....	58
Recommandations pour le nettoyage .....	58
Avant d'appeler le service technique .....	61
Dépannage .....	62
Liste de contrôle.....	61
Renseignements pour le service technique.....	62
Énoncé de garantie limitée du produit.....	63
Soutien, accessoires, et pièces .....	dernière page

# Définitions de SÉCURITÉ

---

## ▲ AVERTISSEMENT

---

Ceci indique que le non respect de cet avertissement peut entraîner des blessures graves, voire la mort.

---



---

## ▲ ATTENTION

---

Ceci indique que le non respect de cet avertissement peut entraîner des blessures légères ou modérées.

---

**NOTICE** : Ceci indique que la non-conformité à cet avis de sécurité peut entraîner des dégâts à l'appareil ou à la propriété.

**Note** : Ceci vous avertit que d'importantes informations et/ou conseils sont fournis.

*Cet appareil électroménager de THERMADOR™*

est fait par BSH Home Appliances Ltd

6696 Financial Drive, Unit 3

Mississauga, ON L5N 7J6

---

*Des questions?*

1-800-735-4328

www.thermador.ca

*Nous attendons de vos nouvelles!*

## ⚠ INSTRUCTIONS IMPORTANTS DE SÉCURITÉ

### LIRE TOUTES LES INSTRUCTIONS AVANT DE PROCÉDER

### Lisez attentivement

Installateur : Veuillez laisser ces instructions d'installation avec l'appareil pour le propriétaire.

Propriétaire : Veuillez conserver ces instructions pour consultation ultérieure. Utiliser cet appareil uniquement aux fins indiquées dans ce manuel.

Examinez l'électroménager après l'avoir déballé. Dans l'éventualité de dommages en cours de transport, ne branchez pas l'électroménager.

---

#### AVERTISSEMENT

---

Correctement entretenu, votre électroménager neuf a été conçu pour être sécuritaire et fiable. Lisez attentivement toutes les instructions avant l'utilisation. Ces précautions réduiront le risque de brûlure, d'électrocution, d'incendie et de blessures corporelles. Lorsque vous utilisez des appareils électroménagers de cuisine, il importe de suivre des précautions de sécurité de base, y compris celles indiquées dans les pages suivantes.

---

---

#### AVERTISSEMENT

---

Tout installation, ajustement, modification, entretien ou nettoyage inadéquat peut causer des blessures ou des dommages matériels. Consultez le présent manuel. Pour obtenir de l'assistance ou des renseignements supplémentaires, consultez un installateur qualifié, un centre de réparation, le fabricant (ou le détaillant) ou une société gazière.

---

---

#### AVERTISSEMENT

---

Avant de procéder au nettoyage ou à l'entretien de l'appareil, éteignez l'alimentation du panneau électrique et bloquez le dispositif de déconnexion pour éviter que l'alimentation électrique ne soit accidentellement rallumée. Si le dispositif de sectionnement d'électricité ne peut être bloqué, attachez un avertissement (comme une étiquette) bien en vue sur le tableau électrique.

---

### Vérification du type de gaz

Vérifiez le type de gaz fourni à votre emplacement. Assurez-vous que l'appareil est raccordé au type de gaz pour lequel il est certifié. Reportez-vous à l'étiquette de données.

---

#### AVERTISSEMENT

---



**L'information fournie dans le présent manuel doit être très rigoureusement respectée, sous peine d'incendie ou d'explosion entraînant des dommages, des blessures ou la mort.**

---

- **Ne stockez pas et n'utilisez pas d'essence ou autres ou la compagnie distributrice de gaz.**
- **SI VOUS SENTEZ UNE ODEUR DE GAZ :**
  - **N'allumez aucun appareil.**
  - **Ne touchez pas aux interrupteurs électriques.**
  - **N'utilisez pas les téléphones du bâtiment.**
  - **Appelez immédiatement votre compagnie de gaz de chez un voisin. Suivez les instructions de la compagnie.**
  - **Si vous n'arrivez pas à contacter la compagnie de gaz, appelez les pompiers.**
- **L'installation et les réparations doivent être réalisées par un installateur qualifié, un centre de réparation agréé ou la compagnie de gaz.**

# ⚠ INSTRUCTIONS IMPORTANTS DE SÉCURITÉ

## LIRE TOUTES LES INSTRUCTIONS AVANT DE PROCÉDER

---

### AVERTISSEMENT

---

Si un kit de conversion au gaz est utilisé, cette trousse de conversion doit être installée par une agence de réparation qualifiée en conformité aux directives du fabricant et de tous les autres codes et exigences en vigueur de l'autorité ayant juridiction. Si les directives ne sont pas suivies à la lettre, il y a un risque d'incendie, d'explosion ou de génération de monoxyde de carbone pouvant entraîner des dommages matériels, des blessures ou une perte de vie. L'agence de réparation qualifiée est responsable de la bonne installation de cette trousse. L'installation n'est pas jugée terminée jusqu'à ce que l'on ait testé l'appareil converti comme précisé dans les directives du fabricant fournies avec la trousse.

---

---

### ATTENTION

---

Lorsque vous branchez l'appareil au gaz propane, assurez-vous que le réservoir de gaz propane est muni de son propre mécanisme régulateur à haute pression en plus du régulateur à haute pression fourni avec l'appareil. La pression de gaz maximale ne devrait pas excéder 14,0 pouces de colonne d'eau (34,9 Mb) entre le réservoir de gaz propane et le régulateur à haute pression.

---

#### Pour les installations au Massachusetts

1. L'installation doit être réalisée par un entrepreneur qualifié ou accrédité, un plombier ou un installateur de gaz qualifié ou autorisée par l'État, la province ou la région dans laquelle cet appareil est installé.
2. La vanne d'arrêt de gaz doit être pourvue d'une poignée en « T ».
3. La longueur du tuyau de gaz ne doit pas excéder 36 po (914 mm).

S'assurer que l'installation et l'entretien sont effectués correctement. Suivre les instructions du Manuel d'installation accompagnant ce produit. Confier l'installation et la mise à la terre électrique de l'appareil à un technicien qualifié.

Si le brûleur fuit et que du gaz s'en échappe, ouvrez une fenêtre ou une porte. **NE** tentez **PAS** d'utiliser l'appareil avant que le gaz ait eu le temps de se dissiper. Attendez au moins 5 minutes avant d'utiliser l'appareil.

**NE PAS** réparer ni remplacer toute pièce de l'appareil à moins que cela ne soit spécifiquement recommandé par ce manuel. Toute réparation doit être effectuée par un technicien qualifié.

### Exigences électriques

---

### AVERTISSEMENT

---



#### EN CAS DE PANNE ÉLECTRIQUE

Si, pour une raison quelconque, un bouton de commande de gaz est allumé et qu'il n'y a pas d'électricité pour actionner les allumeurs électroniques des brûleurs, mettez le bouton à OFF et attendez 5 minutes pour permettre au gaz de se dissiper avant d'allumer manuellement les brûleurs.

Pour allumer manuellement les brûleurs, tenez une allumette allumée près des ports d'un brûleur puis tournez le bouton de commande à HI. Vous pouvez utiliser les brûleurs standards pendant une panne d'électricité, mais vous devez les allumer avec une allumette.

**NE** tentez **PAS** d'allumer manuellement les brûleurs XLO. Ces brûleurs sont dotés de la fonction Extralow<sup>®</sup> et ne peuvent être allumés manuellement.

---

L'électroménager doit être mis à la terre en conformité aux codes locaux, ou en l'absence de tels codes, au National Electric Code ANSI/NFPA 70 ou, au Canada, au code canadien de l'électricité CSA C22.1-02.

---

---

### AVERTISSEMENT

---

**Ne Jamais Faire Fonctionner La Surface De La Table De Cuisson De Cet Appareil Sans Surveillance.**

- **Le non-respect de cet avertissement pourrait entraîner un risque d'incendie, d'explosion ou de brûlure qui pourrait provoquer des dommages matériels, des blessures ou un décès.**
  - **En cas d'incendie, se tenir à l'écart de l'appareil et appeler immédiatement les pompiers. NE PAS ESSAYER D'ÉTEINDRE UN INCENDIE DE GRAISSE OU D'HUILE AVEC DE L'EAU.**
- 

Débranchez toujours la fiche électrique de la prise murale avant de procéder à l'entretien de l'appareil.

Consultez les exigences d'alimentation électrique et de mise à la terre dans les Instructions d'Installation.

Demandez à l'installateur de vous montrer où se trouvent le disjoncteur et la vanne d'arrêt de gaz pour savoir où et comment couper l'alimentation électrique et l'approvisionnement en gaz de l'appareil.

# ⚠ INSTRUCTIONS IMPORTANTS DE SÉCURITÉ

## LIRE TOUTES LES INSTRUCTIONS AVANT DE PROCÉDER

L'installation et l'entretien doivent être correctement effectués. Suivez les instructions du Instructions d'Installation fourni avec le produit. Assurez-vous qu'un électricien qualifié installe et effectue la mise à la terre de l'appareil.

**Cet appareil est conforme à une ou plusieurs des normes et codes de sécurité :**

- La norme américaine ANSI Z21.1 régissant les appareils électroménagers à gaz.
- La norme américaine UL858 régissant les cuisinières électriques domestiques.
- La norme canadienne CAN/CSA-22.2 No. 61 régissant les cuisinières domestiques.
- La norme canadienne CAN/CGA1.1-M81 régissant les cuisinières à gaz domestiques.

L'installation doit être conforme aux codes locaux ou, en l'absence de tels codes, au National Fuel Gas Code ANSI Z223.1/NFPA 54 ou, au Canada, au code national CSA B149.1 d'installation du gaz naturel et du propane.

Installation dans une maison préfabriquée (mobile) : L'installation doit être conforme au Manufactured Home Construction and Safety Standard, Titre 24 CFR, Partie 3280 (anciennement le Federal Standard for Mobile Home Construction and Safety, Titre 24, HUD/Partie 280) ou, lorsque cette norme n'est pas applicable, au Standard for Manufactured Home Installations, ANSI/NCSBCS A225.1, ou aux codes locaux, là où il y a lieu.

Installation dans une caravane de parc : L'installation doit être conforme aux codes de l'État ou aux autres codes ou, en l'absence de tels codes, au Standard for Recreational Park Trailers, ANSI A119.5.

Il incombe au propriétaire et à l'installateur de déterminer si des exigences ou des normes additionnelles s'appliquent spécifiquement à l'installation.

Les espaces libres pour les matières non combustibles ne font pas partie de la norme ANSI Z21.1 et ne sont pas mentionnés par la CSA. Les codes locaux ou les compétences ayant autorité doivent approuver les espaces.

### Sécurité des enfants

Lorsque les enfants sont assez âgés pour utiliser l'appareil, il est de la responsabilité des parents ou des tuteurs de veiller à ce que des personnes qualifiées leur enseignent des pratiques sécuritaires.

---

#### AVERTISSEMENT

---

**NE** rangez **PAS** d'objets attirant l'attention d'enfants au-dessus ou derrière l'appareil. Ils risqueraient d'y monter pour s'en emparer et pourraient se blesser gravement.

**NE** permettez **PAS** que quiconque grimpe, se mette debout, s'assoit ou se penche à une pièce de l'appareil. Cela pourrait endommager l'appareil et il pourrait basculer, infligeant possiblement de graves blessures.

**NE** permettez **PAS** à des enfants d'utiliser l'appareil à moins qu'ils ne soient surveillés de près par un adulte.

Les enfants et les animaux ne devraient pas être laissés seuls ou sans surveillance dans la salle où l'appareil est en cours d'utilisation. Ils ne devraient jamais avoir l'autorisation de jouer près de l'appareil, qu'il soit en cours d'utilisation ou non.

### Générales de sécurité

---

#### AVERTISSEMENT

---

Pour éliminer le risque de brûlure ou d'incendie lorsque vous étirez au-dessus des surfaces chauffantes de l'électroménager, il faut éviter d'installer des armoires de rangement au-dessus de la surface de l'électroménager.

---

#### AVERTISSEMENT

---

Cet appareil est destiné de cuisson. Basé sur des considérations de sécurité, ne jamais s'en servir pour chauffer ou réchauffer une pièce.

---

# ⚠ INSTRUCTIONS IMPORTANTS DE SÉCURITÉ

## LIRE TOUTES LES INSTRUCTIONS AVANT DE PROCÉDER

---

### AVERTISSEMENT

---

**Pour réduire les risques de blessure lors d'un feu de friture, observez les consignes suivantes :**

- Éteignez les flammes avec un couvercle, une plaque à biscuits ou un plateau de métal et éteignez ensuite le brûleur ou l'élément. Prenez garde aux risques de brûlure. Si les flammes ne disparaissent pas immédiatement, évacuez les lieux et appelez le service d'incendie.
- Ne prenez jamais un poêlon en feu – Vous pourriez vous brûler.
- **N'UTILISEZ PAS D'EAU** ou un linge à vaisselle mouillé – une violente explosion de vapeur s'ensuivra.
- Utilisez un extincteur seulement si :
  - Vous savez que vous possédez un extincteur de classe ABC et vous savez vous en servir.
  - Le feu est faible et ne s'est pas répandu depuis son point d'origine.
  - Vous avez appelé le service d'incendie.
  - Vous pouvez sortir facilement de l'endroit où vous combattez le feu.

---

### AVERTISSEMENT

---

#### POUR RÉDUIRE LES RISQUES DE FEU DE FRITURE

- Ne laissez jamais l'appareil sans surveillance lors de son utilisation à haute température. Les débordements par bouillonnement causent de la fumée et les déversements de graisse qui peuvent prendre feu. Faites chauffer l'huile à des températures basses ou moyennes.
- Allumez toujours la hotte lorsque vous cuisinez à haute température ou que vous faites flamber des aliments (c.-à-d. crêpes Suzette, cerises jubilé, bœuf flambé au poivre).
- Nettoyez fréquemment les ventilateurs. Ne laissez pas la graisse s'accumuler sur les ventilateurs ou les filtres.
- Utilisez des poêlons aux dimensions adéquates. Utilisez toujours une batterie de cuisine correspondant aux dimensions de l'élément ou du brûleur.

---

N'utilisez **JAMAIS** la appareil comme espace de rangement. Les matières inflammables pourraient prendre feu et les objets en plastique pourraient fondre ou prendre feu. N'accrochez rien sur l'appareil. Certains tissus peuvent facilement s'enflammer.

Si la appareil est placée près d'une fenêtre, assurez-vous que les courants d'air ne peuvent pas pousser les rideaux jusqu'au-dessus ou à proximité des brûleurs; ils pourraient s'enflammer.

Assurez-vous qu'il y a **TOUJOURS** un détecteur de fumée fonctionnel près de la cuisine. Si vos vêtements ou vos cheveux prennent feu, jetez-vous immédiatement par terre et roulez pour éteindre les flammes.

Ayez un extincteur approprié à portée de la main, visible et facile d'accès, tout près de l'appareil de cuisson.

Éteignez les flammes provenant d'aliments en feu, autre que les feux de friture, avec du bicarbonate de soude. N'utilisez jamais de l'eau pour éteindre des aliments en feu.

Dans la mesure du possible, ne faites pas fonctionner le système de ventilation lorsqu'il y a un feu. Cependant, ne tentez pas de l'éteindre en passant votre main dans le feu.

Les vêtements, poignées, mitaines ou toute autre matière inflammable ne doivent **JAMAIS** toucher ni être placés à proximité des brûleurs ou des grilles des brûleurs avant que ceux-ci n'aient eu le temps de refroidir. Les tissus pourraient prendre feu et provoquer des blessures.

N'utilisez que des poignées et mitaines sèches : la vapeur qui se dégage de poignées et de mitaines mouillées ou humides posées sur des surfaces chaudes peut provoquer des blessures. N'utilisez **PAS** de serviettes ni de chiffons volumineux au lieu de poignées et de mitaines. Ne laissez pas de poignées ou de mitaines en contact avec des grilles ou des brûleurs chauds.

Pour votre sécurité, lorsque vous utilisez l'appareil, portez des vêtements adéquats et évitez ceux qui sont amples et qui ont des manches tombantes. Certains tissus synthétiques sont hautement inflammables. Vous ne devriez pas en porter lorsque vous cuisinez.

N'enveloppez aucune pièce de l'appareil dans du papier d'aluminium. L'utilisation de revêtement en aluminium pourrait causer une décharge électrique ou un incendie, ou encore obstruer la circulation d'air de la combustion et de l'aération. Le papier d'aluminium est un excellent isolateur et il retient la chaleur. Son utilisation aura une incidence sur la cuisson et pourrait endommager le fini de l'appareil.

# ⚠ INSTRUCTIONS IMPORTANTS DE SÉCURITÉ

## LIRE TOUTES LES INSTRUCTIONS AVANT DE PROCÉDER

Quand vous utilisez la table de cuisson : **NE TOUCHEZ PAS LES GRILLES DES BRÛLEURS OU LES ZONES ADJACENTES**. Les zones entourant les brûleurs peuvent devenir assez chaudes pour causer des brûlures.

---

### AVERTISSEMENT

---

L'appareil sert à cuisiner. N'utilisez jamais l'appareil pour chauffer une pièce. Ceci peut causer un empoisonnement au monoxyde de carbone et surchauffer l'appareil en plus d'en endommager certaines pièces.

Ne laissez jamais l'appareil sans surveillance quand vous utilisez une flamme intense. Les débordements produisent de la fumée et des éclaboussures de graisse qui peuvent s'enflammer. Par ailleurs, si la flamme d'un brûleur s'éteint, du gaz s'échappera dans la pièce. Pour en savoir plus sur les fuites de gaz, consultez la page 35.

Seuls certains types de casseroles en verre, en vitrocéramique résistant à la chaleur, en céramique, en terre cuite ou en céramique vitrifiée peuvent être utilisés sur les brûleurs de la table de cuisson. Ce type de récipients peut se casser lors de changements de température brusques. N'utilisez que des réglages de flamme bas ou moyen et respectez les directives du fabricant.

Ne faites pas chauffer de récipients fermés. La pression s'accumulant dans le récipient pourrait le faire éclater et provoquer des blessures.

---

### AVERTISSEMENT

---

Lorsque vous cuisinez, réglez les brûleurs de façon à ce que la flamme ne chauffe que le fond du récipient sans déborder sur les côtés.

Soyez prudent et assurez-vous que les courants provenant de grilles d'aération ou de ventilateurs ne soufflent pas de matière inflammable vers les flammes ou ne poussent pas les flammes sur les côtés de la casserole ou du poêlon.

Utilisez toujours des casseroles et poêlons à fond plat et suffisamment larges pour couvrir le brûleur. L'utilisation de casseroles trop petites pourrait exposer une partie de la flamme et enflammer des vêtements.

N'utilisez **PAS** de casseroles ou de poêlons sur l'accessoire du gril (vendu séparément). Vous ne devriez jamais utiliser de grandes casseroles, de plaques à biscuits, etc. sur l'appareil.

---

### AVERTISSEMENT

---

Évitez d'utiliser une flamme forte de façon prolongée avec un récipient plus grand que la grille ou couvrant plusieurs brûleurs, comme une plaque. Cela peut nuire à la combustion et produire des émanations dangereuses.

N'utilisez **PAS** de produits nettoyants inflammables pour nettoyer l'appareil.

Avant d'utiliser la plaque chauffante ou les brûleurs à proximité, enlevez la planche à découper optionnelle ou l'accessoire de recouvrement de la plaque.

**LA GRAISSE EST INFLAMMABLE.** Laissez la graisse chaude refroidir avant d'essayer de la manipuler. Évitez de laisser de la graisse s'accumuler. Nettoyez après chaque utilisation.

Pour que les brûleurs s'allument et fonctionnent correctement, les orifices d'allumage doivent être gardés propres. Il faut les nettoyer après un débordement ou lorsque le brûleur ne s'allume pas même si le système d'allumage électronique s'actionne.

Nettoyez l'appareil avec soin. Faites attention de ne pas vous brûler avec la vapeur. N'utilisez **PAS** d'éponge ou de chiffon mouillé pour nettoyer l'appareil quand elle est chaude. Certains produits nettoyants dégagent des vapeurs toxiques s'ils sont appliqués sur une surface chaude. Suivez les indications fournies par le fabricant du produit nettoyant.

---

### AVERTISSEMENT

---

Après un renversement ou une éclaboussure, éteignez le brûleur et nettoyez le pourtour et les orifices avec soin. Assurez-vous du bon fonctionnement de l'appareil après le nettoyage.

Assurez-vous que tous les boutons sont hors circuit et de l'appareil est froide avant d'utiliser un produit nettoyant en aérosol sur celle-ci ou à proximité de celle-ci. Certains produits chimiques vaporisés peuvent, en présence de chaleur, prendre feu ou corroder les pièces métalliques.

N'obstruez **PAS** la circulation d'air de combustion ou d'aération.

Toutes les réparations doivent être effectuées par des techniciens agréés, qui devront débrancher l'alimentation électrique de l'appareil avant de le réparer.

# INSTRUCTIONS IMPORTANTS DE SÉCURITÉ

## LIRE TOUTES LES INSTRUCTIONS AVANT DE PROCÉDER

---

### AVERTISSEMENT

**NE** bloquez **PAS** et n'obstruez **PAS** les ouvertures du trou d'aération. Le trou d'aération est situé à l'arrière de l'appareil. Il doit être dégagé et ouvert pour fournir la circulation d'air nécessaire au bon fonctionnement de l'appareil.

**NE** touchez **PAS** la zone entourant le trou d'aération lorsque l'appareil est en marche ou plusieurs minutes après son utilisation. Certaines pièces du trou d'aération et de la zone l'entourant deviennent assez chaudes pour causer des brûlures. Laissez passer assez de temps pour que l'appareil ait le temps de refroidir avant de toucher ou nettoyer le trou d'aération.

**NE** placez **PAS** d'objets de plastique ou d'autre matière sensible à la chaleur sur le trou d'aération ou près de celui-ci. Ils pourraient prendre feu.

---

Pour éviter tout risque d'incendie, nettoyez fréquemment la hotte et les filtres afin d'empêcher les accumulations de graisse.

En cas d'incendie ou si vous faites flamber intentionnellement de l'alcool sur la table de cuisson, suivez les instructions du fabricant. Faites preuve de prudence lorsque vous cuisinez avec de l'alcool (ex. : rhum, brandy, bourbon). L'alcool s'évapore à haute température. Les vapeurs d'alcool peuvent s'enflammer et présenter un risque de brûlure. Utilisez seulement une petite quantité d'alcool avec les aliments.

**NE** rangez **PAS** ou n'utilisez pas de produits chimiques, corrosifs, inflammables, non alimentaires près ou dans cet appareil, lequel est spécifiquement conçu pour réchauffer ou faire cuire des aliments. L'utilisation de produits chimiques corrosifs pendant le réchauffage ou la cuisson peut endommager l'appareil et causer des blessures.

---

### AVERTISSEMENT

Vous ne devriez pas installer cet appareil avec un système de ventilation à aspiration descendante. Ce type de système de ventilation peut présenter des risques d'incendie et des problèmes de combustion et ainsi entraîner des blessures corporelles, des dommages matériels ou un fonctionnement involontaire. Aucune restriction ne s'applique aux systèmes de ventilation à aspiration ascendante.

---

**IMPORTANT** : Il est possible que la paroi arrière se décolore sous certaines conditions de cuisson.

Avertissement issu de la proposition 65 :

Ce produit pourrait contenir un produit chimique reconnu par l'État de la Californie comme cancérigène ou ayant des effets nocifs sur la reproduction. Par conséquent, l'emballage de votre produit pourrait porter l'étiquette suivante, comme requis par la Californie :

**AVERTISSEMENT ISSU DE LA PROPOSITION 65 DE L'ÉTAT DE LA CALIFORNIE :**

 **AVERTISSEMENT**

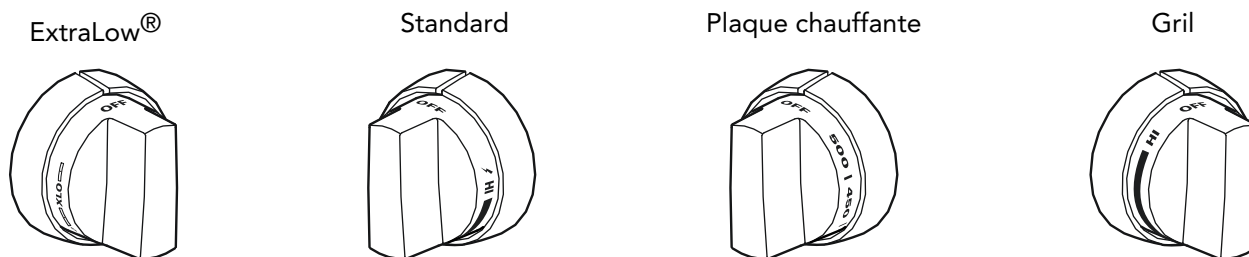
Cancér et dommages à la reproduction –  
[www.P65Warnings.ca.gov](http://www.P65Warnings.ca.gov).

# Description

## Identification de la table de cuisson

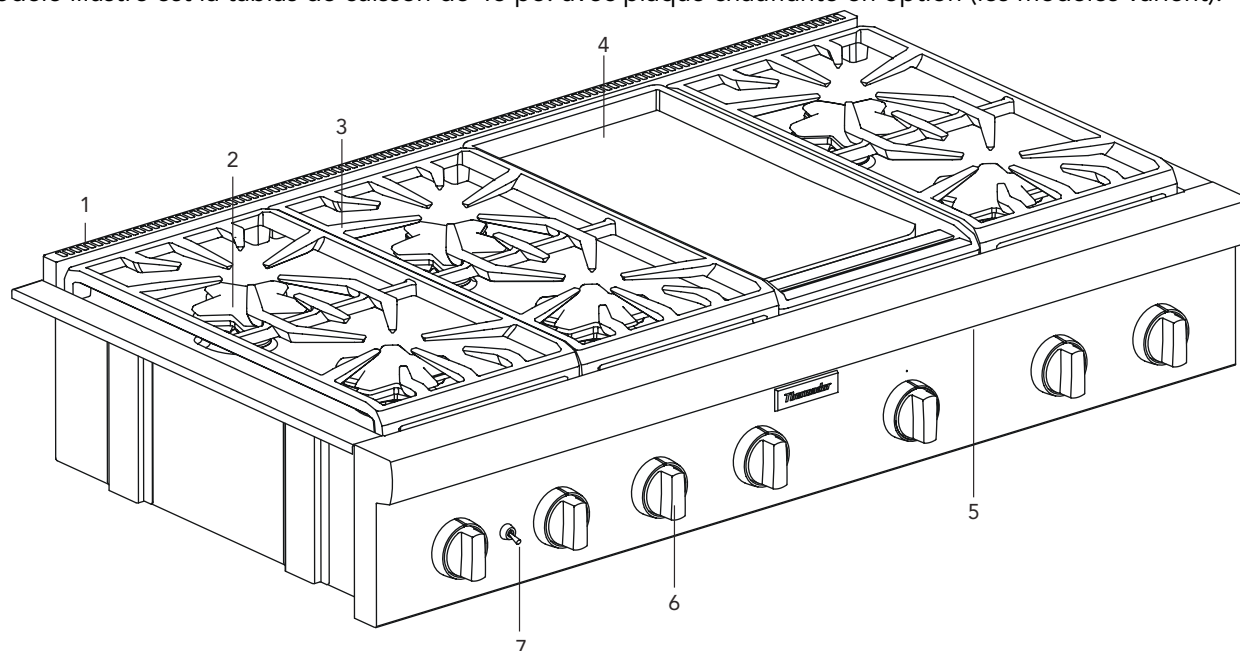
**NOTE :** Toutes les fonctionnalités n'est pas disponible sur tous les modèles.

### Description des boutons de commande



### Identification modèle appareil

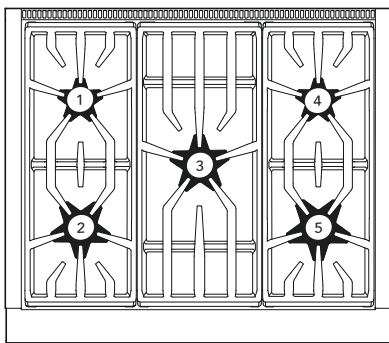
Le modèle illustré est la tablas de cuisson de 48 po. avec plaque chauffante en option (les modèles varient).



- 1 La garniture pour installation en îlot illustration ou le dossier bas vendu séparément (Toutefois, consultez l'avertissement concernant l'espace derrière la cuisinière lors de l'utilisation de la cuisinière avec cet accessoire.)
- 2 STAR® brûleurs
- 3 Grilles
- 4 Plaque chauffante (gril aussi offerts, mais non illustrés)
- 5 Panneau éclairage
- 6 Boutons de commandes et manettes
- 7 Interrupteur à bascule de panneau éclairage

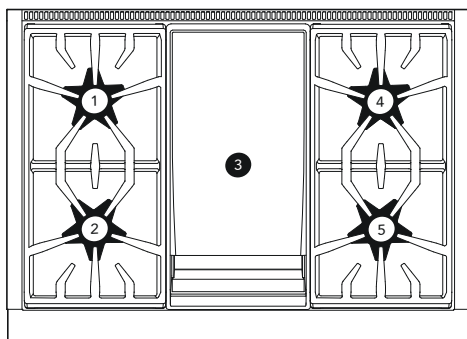
## Identification de la surface supérieure

### Modèle 305



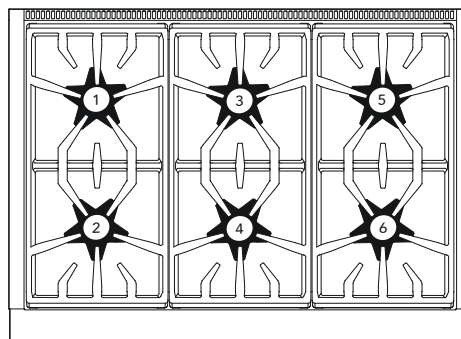
- |                      |                              |
|----------------------|------------------------------|
| (1) Brûleur ExtraLow | Naturel 8000, GPL 6000 BTU   |
| (2) Brûleur ExtraLow | Naturel 18000, GPL 14000 BTU |
| (3) Brûleur Standard | Naturel 10000, GPL 9100 BTU  |
| (4) Brûleur Standard | Naturel 8000, GPL 6000 BTU   |
| (5) Brûleur Standard | Naturel 15000, GPL 11000 BTU |

### Modèle 364 avec plaque chauffante



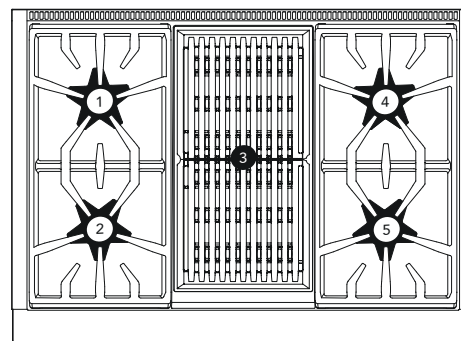
- |                       |                              |
|-----------------------|------------------------------|
| (1) Brûleur ExtraLow  | Naturel 15000, GPL 11000 BTU |
| (2) Brûleur ExtraLow  | Naturel 18000, GPL 15000 BTU |
| (3) Plaque Chauffante | 1 630W                       |
| (4) Brûleur Standard  | Naturel 15000, GPL 11000 BTU |
| (5) Brûleur Standard  | Naturel 18000, GPL 15000 BTU |

### Modèle 366



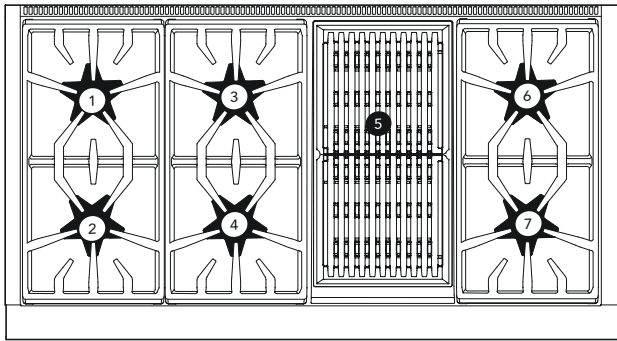
- |                      |                              |
|----------------------|------------------------------|
| (1) Brûleur ExtraLow | Naturel 15000, GPL 11000 BTU |
| (2) Brûleur ExtraLow | Naturel 18000, GPL 15000 BTU |
| (3) Brûleur Standard | Naturel 15000, GPL 11000 BTU |
| (4) Brûleur Standard | Naturel 18000, GPL 15000 BTU |
| (5) Brûleur Standard | Naturel 15000, GPL 11000 BTU |
| (6) Brûleur Standard | Naturel 18000, GPL 15000 BTU |

### Modèle 364 avec gril



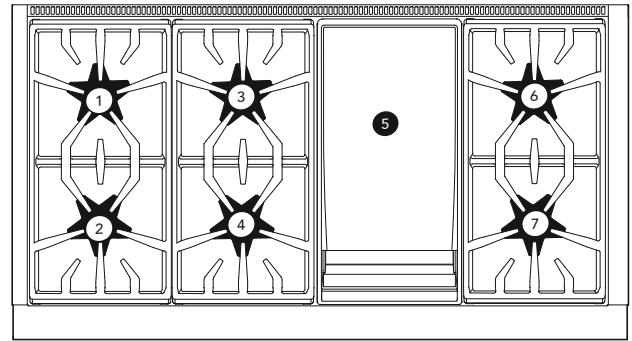
- |                      |                              |
|----------------------|------------------------------|
| (1) Brûleur ExtraLow | Naturel 15000, GPL 11000 BTU |
| (2) Brûleur ExtraLow | Naturel 18000, GPL 15000 BTU |
| (3) Gril             | 815W x 2                     |
| (4) Brûleur Standard | Naturel 15000, GPL 11000 BTU |
| (5) Brûleur Standard | Naturel 18000, GPL 15000 BTU |

### Modèle 486 avec gril



- (1) Brûleur ExtraLow® Naturel 15000, GPL 11000 BTU
- (2) Brûleur ExtraLow Naturel 18000, GPL 15000 BTU
- (3) Brûleur Standard Naturel 15000, GPL 11000 BTU
- (4) Brûleur Standard Naturel 18000, GPL 15000 BTU
- (5) Gril 815W x 2
- (6) Brûleur Standard Naturel 15000, GPL 11000 BTU
- (7) Brûleur Standard Naturel 18000, GPL 15000 BTU

### Modèle 486 avec plaque chauffante



- (1) Brûleur ExtraLow Naturel 15000, GPL 11000 BTU
- (2) Brûleur ExtraLow Naturel 18000, GPL 15000 BTU
- (3) Brûleur Standard Naturel 15000, GPL 11000 BTU
- (4) Brûleur Standard Naturel 18000, GPL 15000 BTU
- (5) Plaque Chauffante 1 630W
- (6) Brûleur Standard Naturel 15000, GPL 11000 BTU
- (7) Brûleur Standard Naturel 18000, GPL 15000 BTU

# Avant de Commencer

## Mise en route

Enlevez tout le matériel d'emballage et le ruban adhésif avant d'utiliser l'appareil. Jetez l'emballage selon les consignes de tri sélectif. Ne laissez jamais des enfants jouer avec le matériel d'emballage.

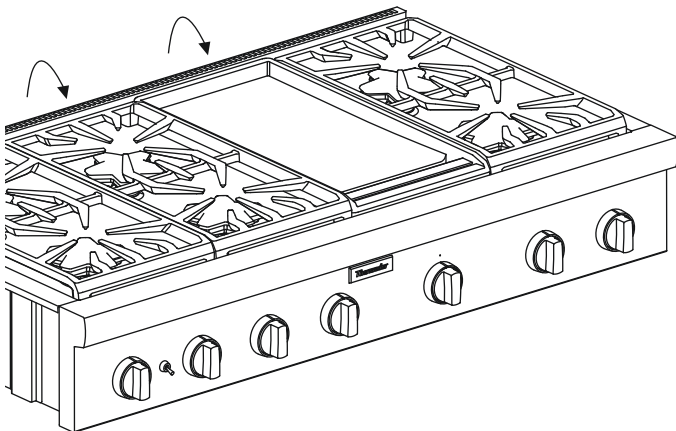
## Marques de produit

Les marques de produits utilisées sont destinées à indiquer un type de produit nettoyant et non à en faire la promotion. L'omission d'une marque ne signifie pas qu'elle convient ou ne convient pas. De nombreux produits sont distribués à grande échelle et il est possible de les trouver localement. Il est essentiel que les produits soient utilisés conformément à leur mode d'emploi.

## Étiquette de service

Avant l'installation, vous devriez inscrire dans les espaces appropriés à la page 62 le numéro du modèle et le numéro de série. La étiquette de service qui indique le numéro de modèle et le numéro de série de votre table de cuisson se trouve sous le rebord de la table de cuisson, près de la partie avant de la table de cuisson.

Ces renseignements sont requis si vous voulez recevoir du service à la clientèle. Avant l'installation, vous devriez inscrire dans les espaces appropriés de cette page le numéro du modèle et le numéro de série. Il est difficile d'avoir accès à ces renseignements une fois que l'installation est terminée.



## Brûleurs de surface

1. Assurez-vous que les chapeaux des brûleurs sont bien posés sur leurs bases sur la table de cuisson ("Vérification de la position des chapeaux des brûleurs" à la page 45).
2. Allumez chaque brûleur pour vous assurer que la flamme est d'une couleur adéquate. Consultez la section « "Description de la flamme" » pour plus de détails.

Les tables de cuisson Professional® de Thermador dégagent parfois une odeur particulière ou de la fumée lors de la première utilisation. Ces odeurs ou cette fumée proviennent des résidus de fabrication qui brûlent, ce qui est caractéristique de toute nouvelle table de cuisson, indépendamment du fabricant.

Veillez noter que les oiseaux de compagnie peuvent être sensibles aux odeurs créées durant une cuisson à température élevée, qu'elles proviennent de la combustion de résidus de fabrication ou d'aliments. Il est donc recommandé de sortir les oiseaux de compagnie de la cuisine.

---

### ⚠ ATTENTION

---

Avant d'allumer la table de cuisson, assurez-vous que tous les boutons sont à la position OFF. Pour prévenir tout fonctionnement involontaire lorsque vous allumez l'appareil, veuillez placer tous les boutons à la position OFF.

---

# Utilisation de la table de cuisson

## Brûleurs STAR<sup>®</sup> scellés

### ⚠ AVERTISSEMENT

Pour prévenir toute brûlure, éviter de toucher les chapeaux et les grilles des brûleurs lorsqu'ils sont chauds. Éteignez la table de cuisson et laissez les brûleurs refroidir.

### ⚠ AVERTISSEMENT

Pour prévenir toute brûlure, éviter de toucher les chapeaux et les grilles des brûleurs lorsqu'ils sont chauds. Éteignez la table de cuisson et laissez les brûleurs refroidir.

## Mise en place des capuchons de brûleur

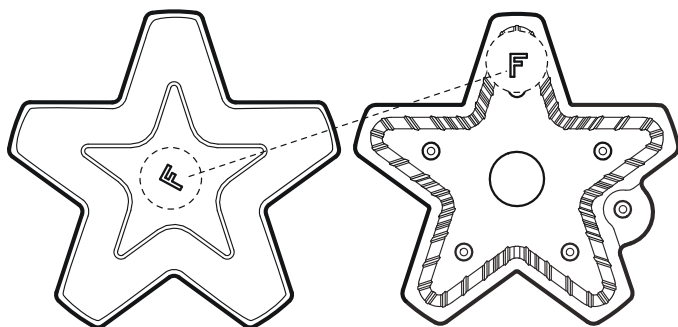
Pour assurer un fonctionnement approprié, les chapeaux des brûleurs doivent être placés adéquatement sur leur base. Si le chapeau n'est pas placé adéquatement, l'un ou l'autre des problèmes suivants pourrait survenir :

- Les flammes du brûleur sont trop hautes.
- Des flammes excessives jaillissent du brûleur.
- Le brûleur ne s'allume pas.
- Les flammes du brûleur sont inégales.
- Le brûleur émet des odeurs.

Chaque capuchon comporte une lettre (B, D, ou F) coulée dans la partie inférieure du capuchon correspondant à une lettre (B, D, ou F) coulée dans la base du brûleur solidaire de l'appareil.

### Placez sur les chapeaux de brûleurs

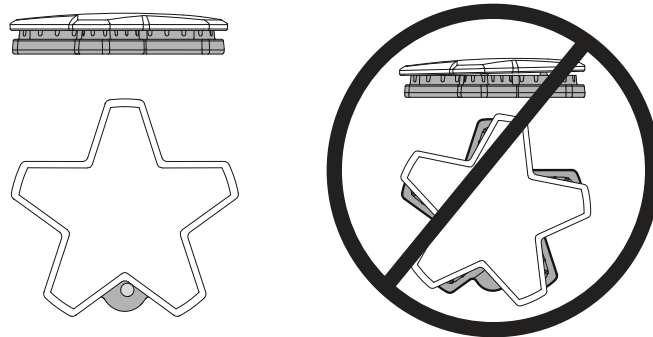
1. Placer chaque capuchon de brûleur sur la base du brûleur correspondant selon la lettre marquée sur chacun d'eux.



2. Placer le capuchon de brûleur délicatement sur la base de manière à ce que les pattes de la base du brûleur s'ajustent parfaitement dans la fente du capuchon de brûleur.

### Vérification de la position des chapeaux des brûleurs

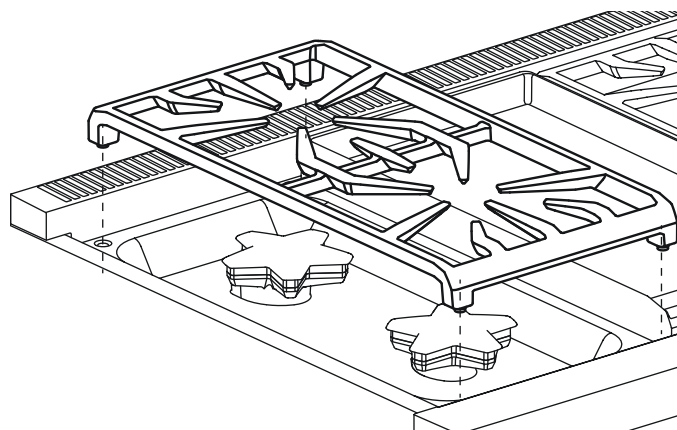
- Vérifiez chaque brûleur pour vous assurer qu'il n'y a pas d'espace entre le chapeau et la base du brûleur. Voir Figure pour des exemples de chapeau de brûleur correctement ou incorrectement placés.
- Vous pouvez essayer de déplacer délicatement les chapeaux des brûleurs latéralement pour vous assurer qu'ils sont placés correctement sur leur base.
- Lorsqu'ils sont bien placés, les chapeaux des brûleurs sont droits sur la base et couvrent complètement la base du brûleur en forme d'étoile lorsque vous les regardez d'en haut.



## Positionnement des grilles des brûleurs

### Pour installer les grilles des brûleurs

1. Positionnez-les avec le côté plat vers le bas et alignez-les dans la partie enfoncée.
2. Les grilles doivent s'appuyer les unes contre les autres et contre les côtés de la partie enfoncée.



## Boutons de commande

Le symbole au-dessus de chaque bouton identifie soit la position du brûleur sur la surface de cuisson ou le contrôle de la grille, selon le modèle.

## Fonctionnement des brûleurs

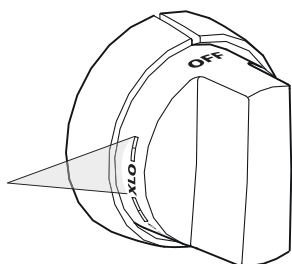
1. Poussez sur le bouton et tournez-le dans le sens antihoraire jusqu'au réglage HI.
  - L'allumeur du brûleur sélectionné émet des étincelles pour allumer le brûleur.
  - Une fois le brûleur allumé, l'allumeur cesse d'émettre des étincelles.
2. Tournez le bouton à n'importe quel réglage entre HI et SIM.

## Éclairage LED (modèles sélectionnés)

Positionné juste sous le chanfrein arrondi, le panneau d'éclairage à DEL fournit un éclairage localisé pour une ambiance théâtrale.

L'interrupteur à bascule du panneau d'éclairage situé sur le panneau de commandes allume ou éteint les DEL.

## Brûleurs ExtraLow®



Le dessin montre la gamme supplémentaire de réglage du bouton entre les repères XLO. Lorsque le bouton est placé sur cette gamme, la flamme s'allume et s'éteint.

La modification des durées pendant lesquelles la flamme reste allumée/éteinte permet de réduire davantage la quantité de chaleur et de cuire des aliments délicats. Le réglage très bas est utile pour faire mijoter, pocher, fondre du chocolat et du beurre, maintenir la température des plats préparés sans qu'ils roussissent ou brûlent, etc.

### Fonctionnement du brûleur ExtraLow®

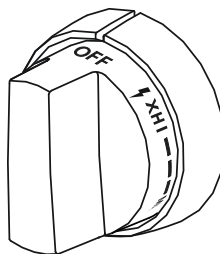
- XLO, le réglage le plus bas, fonctionne par cycles d'une minute avec alternance de flamme allumée pendant environ 10 secondes suivies d'environ 50 secondes de flamme éteinte.
- Lorsque le bouton est réglé juste en dessous du repère XLO, la flamme reste allumée pendant environ 50 secondes et s'éteint pendant environ 10 secondes.

- Pour faire varier la faible chaleur requise en fonction de l'aliment et de la quantité, vous pouvez régler la commande à n'importe quel point entre XLO sur le bouton.

### Techniques ExtraLow®

- Pour maintenir une chaleur basse ou pour faire mijoter, portez les aliments à ébullition. Remuez bien, couvrez le récipient, puis baissez le réglage en plaçant le bouton juste en dessous de XLO.
- Si vous utilisez un récipient surdimensionné, vos aliments mijoteront principalement au centre de celui-ci. Pour homogénéiser la température de l'ensemble, remuez pour ramener les aliments se trouvant sur les bords vers le centre.
- Quand un plat mijote, il est normal de le brasser de temps à autre, surtout s'il doit mijoter pendant plusieurs heures, comme dans le cas de haricots ou d'une sauce à spaghetti maison.
- Il est normal de ne pas voir de bulles à la surface après avoir remué les aliments.
- Il peut y avoir des bulles quand la flamme est allumée, qui disparaissent quand elle est éteinte. Même quand elle est éteinte, de la vapeur et un léger frémissement seront perceptibles à la surface du liquide.

## POWERBOOST® (modèles sélectionnés)



Le bouton de commande POWERBOOST, ou XHI, est pratique pour rapidement faire bouillir de l'eau, saisir des steaks, faire sauter des légumes, etc. Les fonctions XLO s'utilisent de la même manière que sur les autres brûleurs.

## Rallumage automatique

### ▲ ATTENTION

Ne touchez pas les brûleurs pendant que les allumeurs produisent des étincelles.

Chaque brûleur STAR comporte son propre allumeur électronique qui produit des étincelles lorsque le bouton est activé. Les brûleurs doivent s'allumer en 4 secondes ou moins. Si le brûleur ne s'allume pas, assurez-vous que le chapeau est correctement posé sur sa base.

Si un ou plusieurs brûleurs s'éteignent, l'allumeur électronique produit automatiquement des étincelles pour rallumer la flamme. Ne touchez pas aux brûleurs pendant que les allumeurs produisent des étincelles.

#### IMPORTANT :

- Pour assurer une combustion adéquate, n'utilisez pas la surface de cuisson si la grille des brûleurs n'est pas en place.
- La combustion et l'allumage du brûleur produisent un léger bruit. Cela est normal.
- Un bruit audible peut être entendu lorsque le brûleur est mis hors circuit. Ce bruit peut être plus fort avec le gaz LP que le gaz naturel. Ceci est normal.

## Panne de courant

### ⚠ AVERTISSEMENT

En cas de panne de courant, mettez tous les boutons à la position OFF. Seuls les brûleurs standards STAR peuvent être allumés manuellement.

- En cas de panne de courant, seuls les brûleurs standards peuvent être allumés manuellement. Chacun d'eux doit être allumé individuellement.
- Si une panne de courant survient pendant que vous utilisez la cuisinière, tournez tous les boutons à la position OFF.
- Vous pouvez allumer les brûleurs STAR® standards en approchant une allumette enflammée près des orifices et en tournant le bouton à la position HI. Attendez que la flamme soit allumée tout autour du chapeau du brûleur avant de la régler à la hauteur voulue.
- N'essayez pas d'allumer les deux brûleurs XLO de gauche et les deux brûleurs XLO de droite pendant une panne de courant. Ces brûleurs sont munis de la fonction ExtraLow et ne peuvent être allumés manuellement.
- Si un brûleur ExtraLow est allumé pendant une panne de courant, il ne peut être remis en circuit tant que le bouton n'est pas réglé à la position OFF.
- La plaque chauffante et le gril ne peuvent être utilisés pendant une panne de courant.
- Si vous détectez une odeur de gaz, consultez les Instructions de Sécurité.

## Hauteur de la flamme

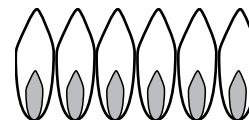
- La hauteur correcte de la flamme dépend : (1) de la taille et du matériau du récipient utilisé; (2) des aliments à cuire; et (3) de la quantité de liquide dans le récipient.
- La flamme ne doit pas dépasser les côtés de la base du récipient.
- Utilisez une flamme basse ou moyenne pour les récipients dont le matériau conduit lentement la chaleur, comme l'acier émaillé ou la vitrocéramique.

## Description de la flamme

### Flamme normale

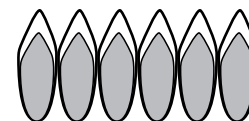
Flamme jaune :

Réglage nécessaire.



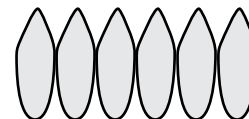
Pointe jaune sur cône extérieur :

Normal pour gaz LP.



Flamme bleue :

Normal pour gaz naturel.



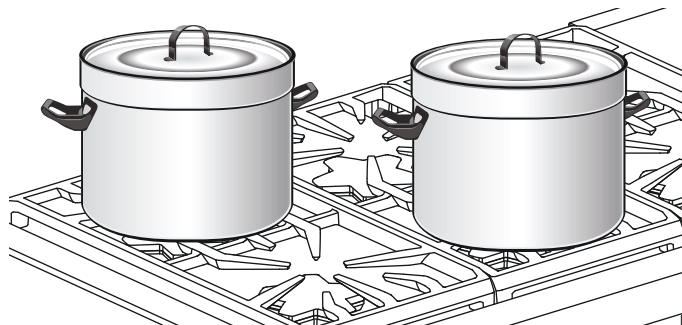
- Si la flamme est complètement ou presque jaune, assurez-vous que le régulateur est réglé pour le combustible approprié. Après le réglage, vérifiez de nouveau.
- Des rayures de couleur orangée sont normales pendant la mise en marche initiale.
- Laissez l'appareil fonctionner de 4 à 5 minutes et évaluez de nouveau avant d'effectuer les réglages.
- La flamme des brûleurs doit être bleue sans pointe jaune. Elle devient parfois partiellement orange : cela indique que des impuretés flottant dans l'air sont en train de se consumer. Elles disparaîtront avec l'usage.
- Avec le gaz propane, il est normal qu'il y ait un peu de jaune dans le cône primaire.
- La flamme doit brûler tout autour du chapeau du brûleur. Si ce n'est pas le cas, assurez-vous que le chapeau est bien posé sur la base et que les orifices ne sont pas bouchés.
- La flamme doit être stable, ne pas voltiger ni faire de bruit excessif.

## Récipients recommandés

### ▲ MISE EN GARDE

Pour éviter tout risque de dommages sérieux à l'appareil ou à un récipient, observez les consignes suivantes:

- Les grands récipients, les plaques à biscuits, etc. ne doivent pas être utilisés sur la surface de cuisson.
- Placez les grandes casseroles de façon décalée lorsque vous utilisez la surface de cuisson.

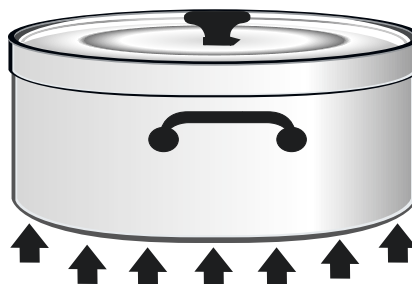


- Choisissez une casserole dont la base correspond au diamètre de la flamme. La flamme doit être égale ou légèrement plus petite que la base du récipient. Des récipients surdimensionnés ou sous-dimensionnés nuisent aux résultats de la cuisson. Une base d'un diamètre de 5½ po (14 cm) est généralement la plus petite taille conseillée.
- Évitez d'utiliser un réglage de flamme intense lors de l'utilisation d'un poêlon plus grand que la grille ou qui occupe plus que l'espace d'un seul brûleur, comme une plaque, pour de longues périodes. Cela peut générer une mauvaise combustion et des vapeurs nocives.
- L'assise du récipient est un facteur important de stabilité et d'uniformité de la cuisson. La poignée ne doit pas être plus lourde que le récipient, car celui-ci pourrait pencher sur un côté. Le récipient doit reposer bien à plat sur la grille sans se balancer ni être instable.

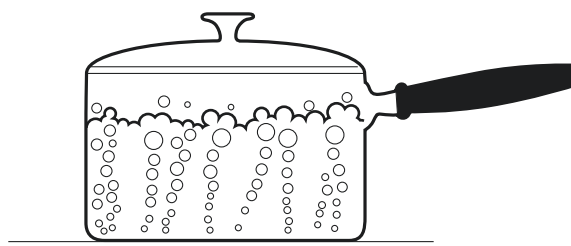


- Les aliments enveloppés dans du papier aluminium ne doivent pas être placés directement sur la grille du brûleur, car l'aluminium peut fondre pendant la cuisson.

- Ne laissez pas du plastique, du papier ou du tissu entrer en contact avec une grille de brûleur chaude. Ils pourraient fondre ou s'enflammer.
- Des récipients de qualité professionnelle à poignée métallique sont recommandés, car les poignées en plastique risquent de fondre ou de se déformer si la flamme déborde du récipient. Des récipients de qualité professionnelle sont en vente dans les magasins de fournitures pour restaurant et dans les boutiques gastronomiques.
- Tous les récipients utilisés doivent posséder les caractéristiques suivantes : bonne conductivité de la chaleur, bonne assise, dimensions adéquates du diamètre de la base, base lourde et fond plat, et couvercle bien adapté.
- Pour de meilleurs résultats de cuisson, la flamme ne doit pas déborder du fond de la casserole.
- L'aluminium et le cuivre sont des matériaux qui conduisent la chaleur rapidement et uniformément. Le fond des récipients est souvent fabriqué avec ces métaux. Ils peuvent également être insérés entre des couches d'acier inoxydable.
- Un fond plat et lourd est plus stable lorsque chauffé. Les casseroles déformées, légères et bosselées ne permettent pas une cuisson uniforme. Chauffez et refroidissez les casseroles graduellement pour éviter les changements soudains de température, qui peuvent déformer les casseroles. Ne mettez pas d'eau froide dans une casserole chaude.



- Un couvercle adapté au diamètre d'un récipient raccourcit le temps de cuisson et permet l'utilisation de réglages plus bas.



## Récipients pour spécialités

### Woks

- Les woks à fond plat ou rond avec un anneau de support peuvent être utilisés sur tous les modèles. Un anneau de support doit être utilisé avec les woks à fond rond.
- Le wok et l'anneau à wok en fonte revêtu d'une couche de porcelaine sont vendus séparément.

### Cocottes et marmites

- Choisissez une base dont le diamètre dépasse au maximum de 2 po (51 mm) de la grille.

### Bain-marie de dimensions standards

- 21 à 22 pintes (19,95 à 20,9 litres) avec une base de 11-12 po (279 à 305 mm) et une hauteur de 9 à 11 po (229 à 279 mm).

### Cocotte-minute de dimensions standards

- 8 à 22 pintes (7,6 à 20,9 litres) avec une base de 8 à 11 po (20,3 à 27,9 cm) et une hauteur de 6,5 à 12 po (165 à 305 mm).

### Conseils d'utilisation

- Il est préférable d'utiliser un récipient à fond plat qu'un récipient à fond concave, convexe ou ondulé.
- Si vous utilisez deux cocottes en même temps, placez-les sur des brûleurs décalés. Ne bloquez pas la circulation d'air autour des brûleurs. La flamme a besoin d'une certaine quantité d'air pour bien brûler.
- Mettez un couvercle sur la cocotte lorsque vous portez son contenu à ébullition.
- Quand le contenu bout au réglage HI, baissez la flamme le plus possible pour maintenir à ébullition ou maintenir la pression.
- La cuisson à la cocotte produit de grandes quantités de vapeur. Faites attention pour ne pas vous brûler.

### Conseils de cuisson

- Consultez le tableau des page 50 pour vous guider. Les réglages à utiliser varient selon l'ustensile choisi et la température initiale des aliments.
- Dans le tableau, le « Réglage final » est séparé pour les brûleurs standards et les brûleurs ExtraLow®. Selon le cas, ce réglage sera identique ou différent.
- Le réglage ExtraLow des brûleurs peut être un réglage de cuisson ou de maintien de température.
- Augmentez ou diminuez la flamme progressivement. Laissez le temps au récipient et aux aliments de réagir au nouveau réglage.

## Conseils de cuisson – brûleurs de la table de cuisson

Aliments	Réglage initial	Réglage final – brûleurs standards	Réglage final – brûleurs XLO
Boissons Cacao	MED – Chauffer le lait, couvrir	LO – Finir de chauffer	XLO – Maintenir au chaud, couvrir
Pain Pain doré, crêpes, sandwichs grillés	MED – Préchauffer le poêlon	LO à MED – cuire	Identique aux brûleurs standards
Beurre À fondre	LO – pour commencer à faire fondre		Laisser fondre
Céréales Semoule de maïs, gruau, avoine	HI – Couvrir, porter l'eau à ébullition, ajouter les céréales	LO à MED – terminer la cuisson selon les instructions sur l'emballage.	XLO – Pour maintenir la température, couvrir*
Chocolat À fondre	XLO – peut être remué pour faire fondre plus vite		XLO – Laisser fondre XLO – Pour maintenir la température
Desserts Bonbons	LO à MED – cuire selon la recette	LO à MED	Identique aux brûleurs standards
Pouding et mélange pour garniture à tarte	LO à MED LO – suivre les indications sur l'emballage	LO	Identique aux brûleurs standards
Pudding	LO à MED LO – Faire bouillir le lait	LO	Identique aux brûleurs standards
Oeufs À la coque	MED HI – couvrir les œufs avec de l'eau, couvrir, porter l'eau à ébullition		
Frits, brouillés	LO à MED – Faire fondre le beurre, ajouter les œufs	LO – pour terminer la cuisson	Identique aux brûleurs standards
Pochés	HI – Porter à ébullition, ajouter les œufs	LO à MED – pour terminer la cuisson	Identique aux brûleurs standards
Viande, poisson, volailles Bacon, saucisses, galettes	HI – Jusqu'à ce que la viande commence à grésiller	LO à MED – pour terminer la cuisson	Identique aux brûleurs standards
Braiser : steak suisse, rôti à la cocotte, ragoût	MED HI – Faire fondre la graisse, faire revenir à MED HI à HI, ajouter du liquide, couvrir		XLO Laisser mijoter jusqu'à ce que la viande soit tendre
Grillade rapide au poêlon; steaks pour déjeuner	MED HI – préchauffer le poêlon	MED à MED HI – frire rapidement au poêlon	Identique aux brûleurs standards
Friture : poulet	MED HI – Faire chauffer l'huile puis faire dorer à MED	LO – couvrir pour terminer la cuisson	Identique aux brûleurs standards
Grande friture : crevettes	MED HI – Faire chauffer l'huile	MED à MED HI – pour maintenir la température	Identique aux brûleurs standards

<b>Aliments</b>	<b>Réglage initial</b>	<b>Réglage final – brûleurs standards</b>	<b>Réglage final – brûleurs XLO</b>
Grillade au poêlon : côtelettes d'agneau, steaks minces, hamburgers, saucisses en chapelet	MED HI – Préchauffer le poêlon	MED – pour brunir la viande	Identique aux brûleurs standards XLO – pour maintenir
Pocher : poulet, entier ou morceaux, poisson	MED HI – Couvrir, porter à ébullition		Pour terminer la cuisson
Faire mijoter : poulet à l'étouffée, corned-beef, langue, etc.	HI – Couvrir, porter à ébullition		XLO - Pour mijoter lentement XLO - Pour maintenir la chaleur, couvrir
Pâtes Macaronis, nouilles, spaghettis	HI – Porter l'eau à ébullition, ajouter les pâtes	MED à HI – pour maintenir à ébullition	Identique aux brûleurs standards
Cocotte-minute Viande	MED HI à HI – faire monter la pression	LO à MED – maintenir la pression	Identique aux brûleurs standards
Légumes	HI – faire monter la pression	MED LO à MED – maintenir la pression	Identique aux brûleurs standards
Riz	HI – Couvrir, porter l'eau et le riz à ébullition.	Réduire la chaleur à SIM. Couvrir et faire cuire jusqu'à ce que l'eau soit absorbée	Faire cuire selon les instructions du sachet XLO – Pour maintenir la chaleur, couvrir
Sauces Sauce tomate	MED HI – cuire la viande/les légumes selon la recette	LO pour faire mijoter	XLO – laisser mijoter sans couvercle pour que la sauce épaississe
Sauce blanche, à la crème, béarnaise	MED – Faire fondre la graisse, suivre la recette	LO – pour terminer la cuisson	XLO – Pour maintenir la chaleur, couvrir
Hollandaise	XLO		XLO – Pour maintenir la chaleur, réglage le plus bas
Soupes, bouillons	HI – Couvrir, porter à ébullition	LO pour faire mijoter	Mijoter à XLO – Pour maintenir la chaleur, couvrir
Légumes Frais	HI – Couvrir, porter l'eau et les légumes à ébullition	LO à MED – faire cuire jusqu'à ce qu'ils soient tendres	Identique aux brûleurs standards XLO – pour maintenir la chaleur, couvrir
Congelés	HI – Couvrir, porter l'eau et les légumes à ébullition	LO à MED – faire cuire selon les instructions du paquet	Identique aux brûleurs standards
Grande friture	HI – Faire chauffer l'huile	MED à MED HI – pour conserver la température de friture	Identique aux brûleurs standards
Sautés	MED HI – Faire chauffer l'huile ou faire fondre le beurre, ajouter les légumes	LO à MED – laisser cuire jusqu'au point de cuisson désiré	Identique aux brûleurs standards
Revenus à la poêle	HI – Faire chauffer l'huile, ajouter les légumes	HI à HI – pour terminer la cuisson	Identique aux brûleurs standards

# Plaque chauffante électrique

## Description

### ⚠ AVERTISSEMENT

L'élément de la plaque chauffante reste chaud après utilisation. Prévoyez suffisamment de temps pour que tous ses composants refroidissent avant de les nettoyer.

### ⚠ MISE EN GARDE

Pour éviter tout risque de blessure, n'utilisez jamais la plaque chauffante sans sa plaque. N'utilisez jamais la plaque chauffante d'une manière non indiquée dans le guide d'utilisation et d'entretien.

**NOTE :** Seulement sur certains modèles.

Les largeurs de la plaque varient.

Une planche à découper en érable, un couvercle en acier inoxydable sont disponibles comme accessoires et peuvent être achetés séparément. La planche à découper et le couvercle doivent être enlevés avant d'utiliser la plaque chauffante.

Le plateau (ou le gril) doit toujours être en place lors de l'utilisation de la plaque chauffante.

La plaque chauffante est ajustée électroniquement aux températures indiquées sur les boutons, de 150°F à 500°F (66°C à 260°C).

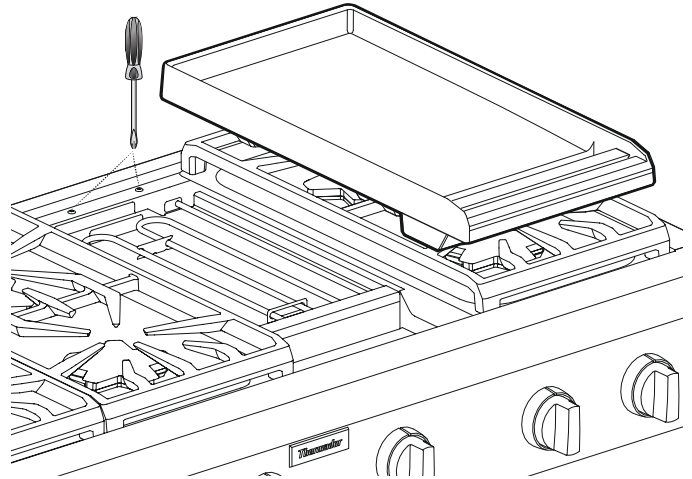
Les modèles de 61 cm (24 po) disposent de deux résistances chauffantes avec commande indépendante. Cette fonction permet de cuire simultanément des aliments à différentes températures.

## Préparation de la plaque

### Préparer la de la plaque

1. Avant d'être utilisée, la plaque chauffante doit être lavée à l'eau chaude savonneuse, puis rincée à l'eau claire.
2. Assurez-vous que la plaque chauffante est bien ajustée en versant deux cuillerées d'eau à l'arrière de la plaque.
  - L'eau devrait lentement couler vers les collecteurs de graisse.

3. Déplacer de la plaque chauffante sur le côté.
4. Ajustez les deux vis situées sous la plaque, à l'arrière de celle-ci. Commencez par dévisser les vis d'un demi-tour.



5. Les ajustements subséquents devraient se faire par quart de tour jusqu'à ce que l'eau coule dans les collecteurs de graisse.

La plaque peut être utilisée sans beurre, margarine ou huile. Toutefois, une petite quantité peut être utilisée pour donner du goût aux aliments.

N'utilisez **PAS** des ustensiles métalliques sur la surface de la plaque chauffante. Prenez garde de ne pas endommager la surface avec les ustensiles. Ne coupez pas directement d'aliments sur la plaque chauffante.

**AVIS :** Le rendement de la plaque chauffante ou du gril peut varier si la circulation d'air près de l'appareil est trop élevée. Une circulation d'air excessive pourrait provenir d'un ventilateur de plafond ou d'un appareil de climatisation soufflant sur la surface de cuisson. Cela pourrait prolonger le temps d'échauffement ou faire en sorte que la température de la plaque chauffante ne corresponde pas à ce que le réglage des boutons de commande indique.

**NOTE :** Une hotte dûment installée n'est pas considérée comme une source de circulation d'air excessive.

## Conseils de cuisson 12" plaque chauffante

Aliment	Réglage
Œufs	325° – 350°F
Bacon, saucisses à déjeuner	450° – 475°F
Sandwichs grillés	375° – 400°F
Poitrines de poulet désossées	425° – 450°F
Côtelettes de porc désossées de 1 po (25,4 mm) d'épaisseur	425° – 450°F
Steaks de 1 po (25,4 mm) d'épaisseur	450° – 475°F
Boulettes de bœuf haché de 6 onces	450° – 475°F
Boulettes de dinde hachée, 6 onces	450° – 475°F
Hot Dogs	350° – 375°F
Tranches de jambon de 1/2 po (12,7 mm) d'épaisseur	350° – 375°F
Crêpes, pain doré	400° – 425°F
Pommes de terre, pommes de terre rissolées	400° – 425°F

\* Pour garantir une cuisson uniforme, assurez-vous que l'épaisseur des aliments est uniforme.

## Conseils de cuisson 24" plaque chauffante

Aliment	Réglage
Œufs	275° – 300°F
Bacon, saucisses à déjeuner	400° – 450°F
Sandwichs grillés	350° – 375°F
Poitrines de poulet désossées	400° – 425°F
Côtelettes de porc désossées de 1 po (25,4 mm) d'épaisseur	400° – 425°F
Steaks de 1 po (25,4 mm) d'épaisseur	425° – 450°F
Boulettes de bœuf haché de 6 onces	400° – 425°F
Boulettes de dinde hachée, 6 onces	400° – 425°F
Hot Dogs	300° – 350°F
Tranches de jambon de 1/2 po (12,7 mm) d'épaisseur	350° – 375°F
Crêpes, pain doré	350° – 375°F
Pommes de terre, pommes de terre rissolées	400° – 425°F

\* Pour garantir une cuisson uniforme, assurez-vous que l'épaisseur des aliments est uniforme.

## Cuisson sur la plaque chauffante

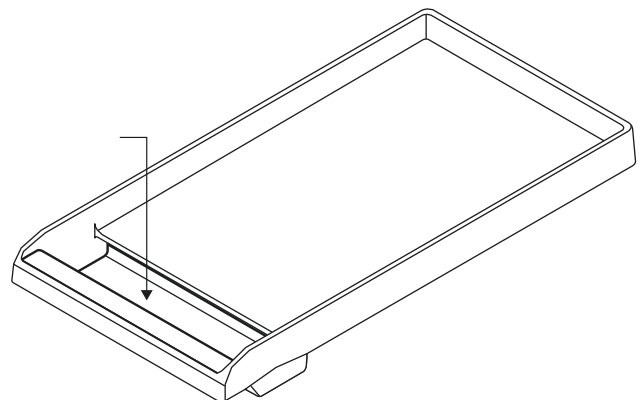
1. Tournez le bouton à la température de cuisson appropriée pour préchauffer la plaque chauffante.
2. Préchauffez la plaque chauffante.
3. Ajoutez du beurre, de la margarine, de l'huile ou de la graisse végétale, si désiré.

Utilisez le réglage de température le plus bas possible. Vous pourriez avoir à modifier les recettes, car le revêtement antiadhérent brunit et saisit les aliments à de basses températures.

## Recommandations pour le nettoyage

- N'immergez **JAMAIS** une plaque chauffante chaude dans l'eau froide. La plaque d'aluminium pourrait gondoler ou se fissurer.
- Ne faites **PAS** chauffer d'ustensiles de cuisson sur la plaque à griller.
- Ne nettoyez **AUCUNE** partie du gril ou de la plaque chauffante dans le four en mode autonettoyage.
- Prenez garde de ne pas endommager la surface avec les ustensiles.
  - Ne coupez pas directement d'aliments sur la plaque chauffante.
  - Ne pas utiliser des ustensiles en métal.
  - Utilisez des ustensiles de plastique ou de bois pour éviter d'égratigner la surface antiadhérente.
- Vous pouvez laver la plaque chauffante au lave-vaisselle. Cependant, nous recommandons de la laver à la main.

## Plateau à graisse de la plaque chauffante



- Nettoyez le plateau à graisse après chaque utilisation. Lorsque vous le retirez en l'inclinant, faites attention pour ne pas que son contenu se déverse.
- Le plateau de la plaque chauffante et son plateau à graisse sont lavables au lave-vaisselle.
- Lorsqu'elle a refroidi, versez la graisse dans un contenant résistant à la graisse avant de la jeter.

## Instructions de graissage de la plaque chauffante

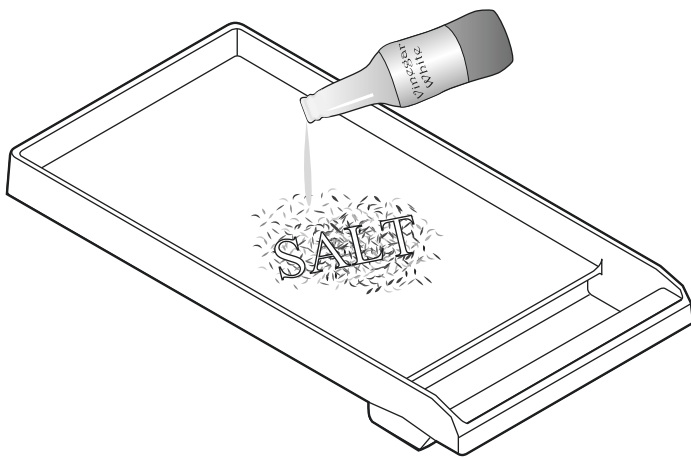
Si la plaque chauffante perd ses propriétés antiadhérentes au fil du temps, suivez les instructions suivantes pour les lui redonner. Pour assurer le rendement optimal et la longévité de votre plaque chauffante, suivez ces instructions simples de nettoyage et de graissage.

**REMARQUE :** Les plaques à frire de 24 po (61 cm) sont trop grandes pour procéder à un conditionnement dans la cavité du four. Par conséquent, prenez soin de ne pas surchauffer le four ni d'endommager les revêtements anti-adhésifs lors du préchauffage du four et de la cuisson.

### Préparation de la plaque chauffante pour le graissage

La plaque chauffante doit être propre et tous les résidus doivent être enlevés avant de procéder au graissage.

1. Utilisez un mélange de gros sel avec un peu de vinaigre blanc pour déloger les résidus de la plaque chauffante.

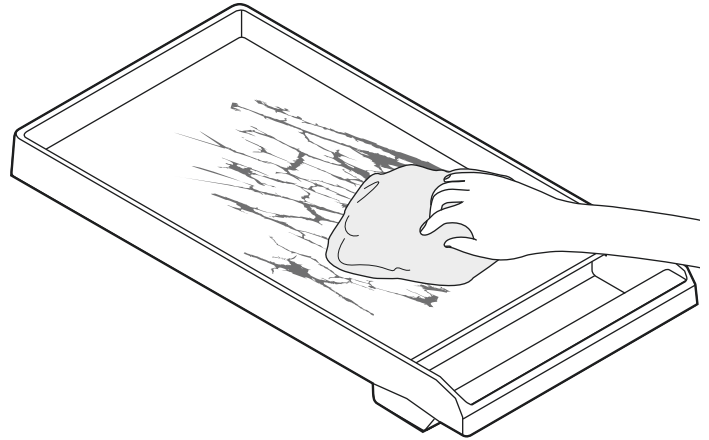


2. Rincez en profondeur avec de l'eau claire.
3. Séchez totalement la plaque chauffante.

### Graissage de la plaque chauffante

Le graissage est un processus par lequel une couche de graisse animale ou d'huile végétale est appliquée et cuite sur un ustensile de cuisson. La couche d'huile fournit une surface antiadhérente.

1. Utilisez un essuie-tout pour appliquer une couche mince et uniforme de lard, de Crisco<sup>®</sup>, ou d'huile d'olive sur la surface de la plaque chauffante.



2. Faites cuire la plaque chauffante à 350 °F pendant une heure.
3. Retirez la plaque chauffante du four et laissez-la refroidir à la température ambiante.
4. Appliquez une deuxième couche de graisse ou d'huile et faites cuire la plaque chauffante à 350 °F pendant une autre heure.
5. Répétez le processus au moins une autre fois pour un total de trois couches d'huile ou de graisse.

### Après le graissage

1. Après avoir fait cuire votre plaque chauffante, laissez-la refroidir et nettoyez-la avec un chiffon humide. Laissez-la sécher.
2. Ajoutez une mince couche d'huile ou de graisse avant d'entreposer la plaque chauffante dans un endroit frais et sec.
3. Ce processus redonnera à la plaque chauffante ses propriétés antiadhérentes. Le rendement de la plaque chauffante s'améliorera avec d'autres graissages.
4. Pour dégraisser la plaque chauffante avant de procéder à son graissage, utilisez un mélange de sel et de vinaigre.

# Gril électrique

## Description

### ⚠ AVERTISSEMENT

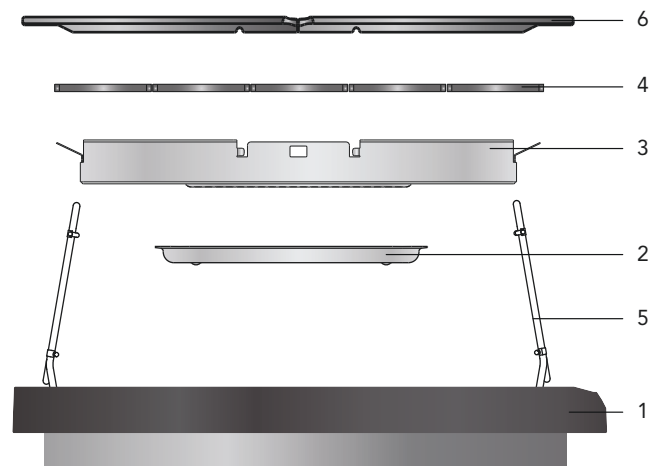
- Pour éviter tout risque de blessure, ne faites **JAMAIS** fonctionner le gril s'il n'y a pas de grilles ou de plaque chauffante installées.
- Ne laissez **JAMAIS** le gril sans surveillance lorsque vous cuisinez.
- Faites attention lorsque vous utilisez de l'huile et de la graisse. Lorsqu'ils sont surchauffés, les huiles et la graisse peuvent provoquer des incendies.
- **N'utilisez PAS** de copeaux de bois, pierres de lave, ou de briquettes de charbon. N'utilisez que les briquettes de céramique (PABRICKBKN) recommandées.
- **N'utilisez PAS** de plats, casseroles, poêlons ou autre ustensile sur le gril.
- **N'utilisez jamais** du papier d'aluminium pour couvrir les grilles ou envelopper le gril. Vous pourriez endommager le gril et causer un incendie si de la chaleur reste emprisonnée.
- Vérifiez le plateau à graisse avant chaque utilisation. Une trop grande quantité de graisse dans le plateau peut causer un risque d'incendie.
- Si des flammes apparaissent, nettoyez le gras accumulé sur les grilles, le plateau à graisse, le panier des briquettes de céramique et les autres surfaces.
- L'accumulation de graisse favorise la formation de flammes et de fumée pendant la cuisson.
- Vous devez remplacer les briquettes de céramique lorsqu'elles sont noires, ce qui signifie qu'elles sont saturées de gras. Elles peuvent alors générer beaucoup de fumée ou prendre feu pendant le fonctionnement de l'appareil.

**NOTE :** Seulement sur certains modèles.

Les grilles du gril encastrable sont faites de fonte de qualité professionnelle. Ce métal fait en sorte que les grilles répartissent uniformément la chaleur et sont faciles à nettoyer.

Il est possible d'installer une plaque chauffante de fonte antiadhérente, vendue séparément. Consultez les instructions de l'accessoire de la plaque chauffante pour obtenir plus de détails.

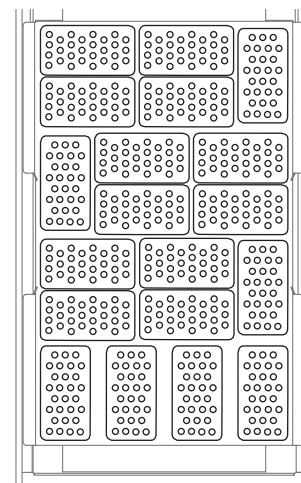
## Assemblage du gril



- 1 Boîtier du gril
- 2 Plateau à graisse
- 3 Panier des briquettes de céramique
- 4 Briquettes de céramique
- 5 Éléments (x2)
- 6 Grilles du gril (x2)

### Pour l'assemblage

1. Effectuez la rotation des éléments (5) et enlevez le briquettes de céramique (3) se trouvant à l'intérieur du boîtier du gril (1).
2. Installez le plateau à graisse (2) sous le boîtier du gril (1). (Le plateau à graisse est emballé dans la grande boîte en carton qui se trouvait sur le dessus de la cuisinière.) Alignez les saillies du plateau à graisse (2) avec les cavités situées sous le boîtier (1).
3. Mettez le briquettes de céramique (4) dans le boîtier du gril (1).
4. Disposez les briquettes de céramique (4) dans le panier à briquettes (3), en une seule couche, de façon à ce que chacune d'elles touche les autres briquettes adjacentes. Les briquettes de céramique ne doivent pas entrer en contact avec les éléments chauffants.



5. Rabattez les deux éléments chauffants du gril vers le bas (5). Les éléments chauffants du gril doivent être à plat. Les supports doivent reposer à l'intérieur des crans latéraux.
6. Installez les grilles du gril (6). Assurez-vous que les grilles sont installées de niveau dans le boîtier du gril (1).

#### **IMPORTANT :**

- Si des flammes se forment pendant l'utilisation du gril, éteignez l'appareil et retirez les aliments. Prenez garde de ne pas vous blesser lorsque vous retirez les aliments.
- Souvent, les flammes s'éteignent d'elles-mêmes en quelques minutes une fois que les accumulations de graisse se sont consumées. Ne laissez pas le gril sans surveillance avant que les flammes ne se soient éteintes. Vous pouvez étouffer les flammes en les saupoudrant d'une généreuse couche de bicarbonate de soude ou de sel.
- Si des flammes se forment, vous devriez remplacer les pierres à lave ou les briquettes de céramique et nettoyer le gras accumulé sur les grilles, le plateau à graisse, le panier briquettes de céramique et les autres surfaces avant d'utiliser à nouveau le gril. Les accumulations de graisse favorisent la formation de flammes et de fumée pendant la cuisson.
- Séchez les aliments humides avant de les mettre sur le gril.
- Plus un aliment est humide, plus il est susceptible de produire de la fumée.
- Lorsque vous utilisez le gril, la graisse qui s'échappe des aliments peut s'enflammer brièvement.

---

#### **▲ AVERTISSEMENT**

---

##### **POUR ÉVITER TOUT RISQUE DE BRÛLURE :**

- Utilisez les ustensiles appropriés avec de longues poignées qui vous permettent de manier les aliments loin de la chaleur et des flammes.
  - NE portez PAS de vêtements amples lorsque vous cuisinez.
  - Ne laissez jamais le gril sans surveillance lorsque vous cuisinez.
  - Après chaque utilisation, enlevez les accumulations de graisse sur la surface du gril et dans les plateaux à graisse pour réduire les risques d'incendie. Vous devriez également nettoyer régulièrement la hotte et les surfaces adjacentes au gril selon les recommandations du manuel d'utilisation.
  - Gardez un extincteur à portée de la main.
- 

## Fonctionnement du gril

1. Avant d'allumer l'appareil, assurez-vous qu'il y a des briquettes de céramique l'appareil et que les deux grilles du gril sont correctement installées.
2. Appuyez sur le bouton de réglage de température et tournez-le à la température souhaitée.
  - Les deux éléments chauffants du gril peuvent être ajustés séparément. Cela vous permet de faire griller des aliments à deux températures différentes en même temps. Aussi, vous pouvez utiliser une partie pour faire griller les aliments et l'autre partie pour les garder chauds.
3. Lors de la première utilisation, faites chauffer le gril pendant environ dix minutes pour éliminer les résidus de fabrication et libérer les mauvaises odeurs.
4. Pour obtenir de meilleurs résultats, préchauffez le gril avant de faire cuire des aliments.

---

#### **▲ ATTENTION**

---

Nettoyez le gril après chaque utilisation. Laissez à l'appareil le temps de refroidir avant de le nettoyer.

---

#### **Conseils de grillade**

- Préchauffez toujours le gril. Lorsque vous cuisinez à la puissance maximale, préchauffez le gril à HIGH pendant dix minutes. Lorsque vous cuisinez à intensité moyenne, préchauffez le gril à HIGH pendant cinq minutes, puis réduisez la température une fois que les aliments sont sur le gril.
- Faites tremper les brochettes de bois dans de l'eau pendant au moins 20 minutes avant de les mettre sur le gril.
- Avant de faire griller des aliments, vous pouvez les badigeonner d'huile résistant à la chaleur (comme de l'huile d'arachides) ou les faire mariner. Assurez-vous de ne pas utiliser trop d'huile ou de marinade, sans quoi les aliments pourraient prendre feu et produire beaucoup de fumée.
- Déposez les aliments directement sur les grilles du gril. N'utilisez pas de papier d'aluminium ou de plateaux.
- La viande salaisonnée, comme le jambon ou les côtelettes de porc fumées, n'est pas faite pour être grillée. Des composés chimiques mauvais pour la santé peuvent se former lors de leur cuisson sur le gril.
- Pour éviter que les aliments ne s'enflamment, enlevez l'excédent de gras avant de les faire griller.
- N'utilisez PAS de produits nettoyants sur les éléments. S'il y a de la graisse sur les éléments, laissez-leur le temps de brûler.
- Pour absorber le gras de la plaque chauffante, saupoudrez-la avec du gros sel après chaque utilisation.

## Recommandations pour la cuisson sur le grill

### IMPORTANT :

- VOUS NE DEVRIEZ PAS UTILISER LE GRIL SANS UNE VENTILATION ADÉQUATE.
- Vous ne devriez pas préparer d'aliments à forte teneur en gras sur un grill intérieur. Le fait de faire griller des aliments à forte teneur en gras (comme certains types de bœuf haché, saucisses, etc.) augmente les possibilités de formation de fumées et de flammes.

Aliment*	Réglage**	Temps de cuisson (minutes)	Notes
<b>Bœuf</b>			
Hamburgers, ¾" (2 cm) (à point)	Feu vif	12 – 14	Tourner une fois que du jus apparaît à la surface.
Steak d'ailoyau, 1½" (4 cm) (à point)	Feu vif	20 – 22	Enlever l'excédent de graisse.
Faux-filet ou surlonge, 1" (3 cm) (à point)	Feu vif	10 – 12	Enlever l'excédent de graisse.
Brochettes, steak (à point)	Feu vif	24 – 28	Tourner de temps en temps.
<b>Porc</b>			
Côtelettes de porc, ¾" (2 cm)	Feu vif	16 – 20	Enlever l'excédent de graisse.
Saucisses ou Bratwurst	Feu moyen	16 – 20	Percer avant de griller.
Hot Dogs	Feu vif	6 – 8	Placer horizontalement sur le grill.
<b>Volaille</b>			
Cuisses et pilons	Feu moyen	34 – 38	Tourner de temps en temps, enlever l'excédent de peau.
Ailes de poulet, entières	Feu moyen	18 – 22	Tourner de temps en temps.
Poitrines de poulet sans os, ½" (1 cm)	Feu moyen	20 – 24	Couper en filets de la même épaisseur avant de faire cuire.
Brochettes, poulet	Feu vif	30 – 33	Tourner de temps en temps.
<b>Fruits de mer</b>			
Darnes, 2" (6 cm)	Feu moyen	18 – 20	Badigeonner d'huile avant de faire griller.
Filets de poisson, ¾" (2 cm)	Feu moyen	16 – 20	Badigeonner d'huile avant de faire griller.
Brochettes de crevettes	Feu moyen	10 – 14	Tourner de temps en temps.
<b>Fruits et légumes frais</b>			
Champignons portobello	Feu vif	8 – 10	Badigeonner d'huile.
Poivrons, quartiers	Feu vif	8 – 10	Tourner de temps en temps.
Aubergine en tranches, ½" (1 cm)	Feu vif	8 – 10	Badigeonner avec un peu d'huile.
Tomates, coupées en deux	Feu vif	8 – 10	Badigeonner d'huile.
Ananas en tranches	Feu vif	4 – 6	—
Pêches, coupées en deux	Feu vif	4 – 6	—
<b>Autre</b>			
Pains à hot dog ou hamburger	Feu moyen	4 – 6	Badigeonner de beurre.
Tofu ferme en tranches	Feu moyen	8 – 12	Mettre en brochette pour une grillade facile.

\* Pour une cuisson uniforme, veuillez bien répartir les aliments sur la surface de cuisson.

\*\* Les réglages apparaissant dans le tableau ne devraient être considérés que comme des lignes directrices puisque la quantité de chaleur requise peut varier selon le type et l'état des aliments.

# Entretien et nettoyage

## Recommandations pour le nettoyage

Pièce / matériau	Notes concernant le nettoyage
Couvercle en fonte et base des brûleurs STAR en laiton	<ul style="list-style-type: none"><li>• Brosse à dents à soies dures en nylon pour le nettoyage des orifices.</li><li>• Une fois le nettoyage terminé, veillez à ce que le couvercle du brûleur STAR soit correctement logé sur sa base.</li><li>• Ne frottez PAS et n'agrandissez pas les orifices du couvercle de brûleur STAR.</li><li>• Produits nettoyants suggérés; rincez et séchez à fond :<ul style="list-style-type: none"><li>-- Eau chaude savonneuse</li><li>-- Bon-ami<sup>®</sup></li><li>-- Barkeepers Friend<sup>®</sup></li><li>-- Wright's<sup>®</sup> All Purpose Brass Polish</li><li>-- Kleen King<sup>®</sup></li></ul></li></ul>
Boutons de commande et enjoliveurs / métal, chrome	<ul style="list-style-type: none"><li>• Ne faites PAS tremper les boutons.</li><li>• Ne forcez PAS les boutons sur une mauvaise tige de valve.</li><li>• Produits nettoyants suggérés :<ul style="list-style-type: none"><li>-- Utilisez un coton-tige trempé dans l'eau.</li></ul></li></ul>
Briquettes de céramique, briquettes de céramique, et plateau à graisse du gril	<ul style="list-style-type: none"><li>• Briquettes de céramique de nettoyage<ol style="list-style-type: none"><li>1) Placez doucement les briquettes de céramique saturées de gras dans un grand contenant de six litres ou plus.</li><li>2) Remplissez le contenant d'eau propre de façon à ce que les briquettes soient couvertes par au moins un demi-pouce d'eau.</li><li>3) Portez l'eau à ébullition et laissez-la bouillir pendant 10 minutes.</li><li>4) Éteignez le feu et laissez l'eau refroidir jusqu'à une température sécuritaire.</li><li>5) Débarrassez-vous de l'eau et tapotez les briquettes avec de vieilles serviettes ou des essuie-tout pour les sécher.</li><li>6) Laissez sécher les briquettes à l'air ambiant pendant au moins deux heures. Il se peut qu'il y ait des taches de graisse permanentes sur les briquettes après le nettoyage.</li><li>7) Remettez les briquettes propres et sèches dans le gril avant de le réutiliser.</li></ol></li><li>• Vous pouvez vous procurer de nouvelles briquettes de céramique à la boutique électronique de Thermador (numéro de commande : PABRICKBKN). Consultez le verso pour obtenir des renseignements sur le soutien technique.</li></ul> <p><b>▲ MISE EN GARDE :</b></p> <ul style="list-style-type: none"><li>• Vous devez remplacer les briquettes de céramique lorsqu'elles sont noires, ce qui signifie qu'elles sont saturées de gras. Elles peuvent alors générer beaucoup de fumée ou prendre feu pendant le fonctionnement de l'appareil.</li><li>• Produits nettoyants recommandés pour le panier et le plateau à graisse; rincez et séchez à fond :<ul style="list-style-type: none"><li>-- Eau chaude savonneuse</li><li>-- Mettez-le au lave-vaisselle</li></ul></li></ul>

Pièce / matériau	Notes concernant le nettoyage
Fini extérieur / acier inoxydable	<ul style="list-style-type: none"> <li>• L'acier inoxydable résiste à la plupart des taches d'aliments et piqûres, pourvu que la surface soit gardée propre et protégée.</li> <li>• Frottez légèrement dans le sens du poli.</li> <li>• Le chlore ou les composés de chlore de certains produits nettoyants sont corrosifs pour l'acier inoxydable. Vérifiez les ingrédients sur l'étiquette.</li> <li>• Produits nettoyants suggérés; rincez et séchez à fond : <ul style="list-style-type: none"> <li>-- Eau chaude savonneuse</li> <li>-- Fantastik®</li> <li>-- Siege® Stainless Steel and Aluminum Cleaner</li> <li>-- Kleen King® Stainless Steel Liquid Cleaner</li> <li>-- Poli de nettoyage : Stainless Steel Magic® pour protéger le fini des taches et piqûres ; améliore l'apparence.</li> <li>-- Thermador Stainless Steel Conditioner (0057669)</li> <li>-- Taches d'eau dure : Vinaigre.</li> </ul> </li> <li>• Décoloration due à la chaleur; rincez et séchez à fond : <ul style="list-style-type: none"> <li>-- Barkeepers Friend®</li> <li>-- Wright's® All Purpose Brass Polish</li> </ul> </li> </ul>
Grilles / porcelaine émaillée sur fonte	<ul style="list-style-type: none"> <li>• Les grilles sont lourdes ; soyez prudent lorsque vous les soulevez. Déposez les sur une surface protégée.</li> <li>• Compte tenu de la texture rugueuse des grilles, des dépôts en aluminium du dessous des poêlons peuvent parfois se détacher et remplir les espaces entre les rayures des grilles. Faites attention lorsque vous cuisinez avec des poêlons et casseroles en laiton et en aluminium, car ces types de plats peuvent parfois laisser des dépôts de métal sur les grilles.</li> <li>• Lors de températures extrêmes et de changements rapides de température, on retrouve couramment des ampoules/craquelures/éclats sur les tiges des grilles.</li> <li>• Les déversements acides et chargés en sucre détériorent l'émail. Éliminez-les sans tarder.</li> <li>• Les produits nettoyants abrasifs, utilisés trop vigoureusement ou trop souvent, peuvent éventuellement rayer l'émail.</li> <li>• Produits nettoyants suggérés; rincez et séchez à fond : <ul style="list-style-type: none"> <li>-- Eau chaude savonneuse</li> <li>-- Fantastik®</li> <li>-- Bon-ami®</li> <li>-- Barkeepers Friend®</li> </ul> </li> <li>• Abrasifs pour les taches tenaces; rincez et séchez à fond : <ul style="list-style-type: none"> <li>-- Tampon de laine d'acier savonneux</li> <li>-- Lestoil®</li> <li>-- Autre produit dégraissant</li> </ul> </li> <li>• Dépôts de métal : <ul style="list-style-type: none"> <li>-- Éponge à récuser Scotch Brite</li> <li>-- Laine d'acier</li> </ul> </li> </ul>
Plaque chauffante / aluminium avec revêtement anti-adhésif	<ul style="list-style-type: none"> <li>• N'immergez JAMAIS une plaque chauffante chaude dans l'eau froide. La plaque d'aluminium pourrait gondoler ou se fissurer.</li> <li>• Ne nettoyez AUCUNE partie du gril ou de la plaque chauffante dans le four en mode autonettoyage.</li> <li>• Essuyez la surface de la plaque chauffante à l'eau tiède savonneuse, puis rincez à l'eau tiède. Essuyez avec un chiffon doux.</li> <li>• Si des particules alimentaires collent à la plaque, éliminez-les à l'aide d'un nettoyant abrasif doux comme Barkeepers Friend®.</li> <li>• Produits nettoyants suggérés; rincez et séchez à fond : <ul style="list-style-type: none"> <li>-- Eau chaude savonneuse</li> <li>-- Mettez-le au lave-vaisselle</li> <li>-- Barkeepers Friend®</li> </ul> </li> </ul>

Pièce / matériau	Notes concernant le nettoyage
<p>Plateau récupérateur de graisse de la plaque chauffante</p> <p>aluminium avec revêtement anti-adhésif</p>	<ul style="list-style-type: none"> <li>• Retirez le plateau collecteur de graisse et versez la graisse dans un contenant résistant aux graisses pour mise au rebut. Lavez le plateau collecteur dans l'eau tiède savonneuse ou mettez-le au lave-vaisselle.</li> <li>• Videz le plateau collecteur de graisse après chaque utilisation.</li> <li>• Produits nettoyants suggérés; rincez et séchez à fond : <ul style="list-style-type: none"> <li>-- Eau chaude savonneuse</li> <li>-- Mettez-le au lave-vaisselle</li> <li>-- Barkeepers Friend®</li> </ul> </li> </ul>
<p>Grilles du gril / porcelaine émaillée sur fonte</p>	<ul style="list-style-type: none"> <li>• Nettoyez les grilles après chaque utilisation.</li> <li>• Placez la grille du gril dans l'évier et versez de l'eau bouillante sur la grille. Mettez un linge à vaisselle sur la grille et versez de l'eau bouillante sur le linge. Laissez tremper les résidus. Grattez tous les débris avec un tampon à récurer savonneux.</li> <li>• Abrasifs pour les taches tenaces : Barkeepers Friend®.</li> <li>• Produits nettoyants suggérés; rincez et séchez à fond : <ul style="list-style-type: none"> <li>-- Eau chaude savonneuse</li> <li>-- Mettez-le au lave-vaisselle</li> <li>-- Barkeepers Friend®</li> <li>-- Brosse à fils en laiton doux pour les taches tenaces. Les brosses à fils de fer rigides peuvent égratigner le recouvrement de porcelaine des grilles et causer leur oxydation prématurée.</li> </ul> </li> <li>• Abrasifs pour les taches tenaces; rincez et séchez à fond : <ul style="list-style-type: none"> <li>-- Tampon de laine d'acier savonneux</li> <li>-- Lestoil®</li> <li>-- Autre produit dégraissant</li> </ul> </li> </ul>
<p>Allumeurs / céramique</p>	<ul style="list-style-type: none"> <li>• N'employez PAS d'outils pointus pour frotter les allumeurs. Les allumeurs sont fragiles. Si l'un d'entre eux est endommagé, il se pourrait qu'il ne puisse allumer le brûleur STAR.</li> <li>• Produits nettoyants suggérés : <ul style="list-style-type: none"> <li>-- Utilisez un coton-tige trempé dans l'eau</li> <li>-- Fantastik®</li> </ul> </li> </ul>
<p>Plateau collecteur de surface / porcelaine émaillée</p>	<ul style="list-style-type: none"> <li>• Frottez délicatement car ces produits pourraient érafler le fini. Rincez à fond et essuyez avec un chiffon doux.</li> <li>• Pour les aliments carbonisés, utilisez des tampons de fibre ou de laine d'acier imbibés de savon, tels que S.O.S.® ou Brillo®. Humidifiez le tampon et frottez délicatement. Soyez prudent car les tampons peuvent érafler le fini. Rincez à fond et essuyez avec un chiffon doux.</li> <li>• Produits nettoyants suggérés; rincez et séchez à fond : <ul style="list-style-type: none"> <li>-- Eau chaude savonneuse</li> <li>-- Bar Keeper's Friend®</li> <li>-- Bon-ami®</li> </ul> </li> <li>• Abrasifs pour les taches tenaces; rincez et séchez à fond : <ul style="list-style-type: none"> <li>-- Utilisez des tampons de fibre ou de laine d'acier imbibés de savon</li> </ul> </li> </ul>

# Avant d'appeler le service technique

## Dépannage

Symptôme	Cause Probable	Solution
Production intermittente d'étincelles :	<ul style="list-style-type: none"><li>L'allumeur en céramique est mouillé ou sale.</li><li>Les orifices du brûleur sont bouchés.</li></ul>	<ul style="list-style-type: none"><li>Séchez ou nettoyez soigneusement l'allumeur.</li><li>Nettoyez les orifices de répartition de la flamme à l'aide d'un fil métallique, d'une aiguille ou d'un trombone déplié.</li></ul>
Plus de quatre déclics de l'allumeur avant que la flamme ne s'allume :	<ul style="list-style-type: none"><li>Le chapeau du brûleur est mal posé sur sa base.</li></ul>	<ul style="list-style-type: none"><li>Alignez bien le chapeau du brûleur sur la base du brûleur.</li></ul>
Production constante d'étincelles :	<ul style="list-style-type: none"><li>La mise à la terre de la cuisinière a été mal faite.</li><li>L'alimentation électrique est mal polarisée.</li></ul>	<ul style="list-style-type: none"><li>Consultez les Instructions d'installation. Appelez un électricien qualifié pour qu'il effectue une mise à la terre adéquate pour la cuisinière.</li></ul>
Les dispositifs d'allumage produisent des étincelles, mais pas de flamme :	<ul style="list-style-type: none"><li>La vanne de l'approvisionnement en gaz est à la position « OFF ».</li></ul>	<ul style="list-style-type: none"><li>Ouvrez la vanne d'approvisionnement en gaz de l'appareil.</li></ul>
Les lumières et les brûleurs ne s'allument pas :	<ul style="list-style-type: none"><li>Pas d'alimentation électrique.</li></ul>	<ul style="list-style-type: none"><li>Assurez-vous que le disjoncteur est à la bonne position.</li><li>Assurez-vous que la tension de la ligne d'alimentation électrique est adéquate.</li></ul>
Les aliments ne cuisent pas suffisamment dans le four :	<ul style="list-style-type: none"><li>Le plat utilisé n'est pas adéquat.</li><li>L'appareil n'est pas de niveau.</li></ul>	<ul style="list-style-type: none"><li>Consultez la section « Récipients recommandés » dans le Guide d'utilisation et d'entretien.</li></ul>

### Liste de contrôle

Avant d'appeler le service technique, vérifiez les points suivants afin d'éviter des frais inutiles.

#### Vérifiez d'abord les points suivants :

- Y a-t-il une panne de courant dans le quartier?
- Les fusibles ont-ils sauté ou le disjoncteur s'est-il déclenché?
- La table de cuisson est-elle débranchée?

#### Si les brûleurs ne s'allument pas

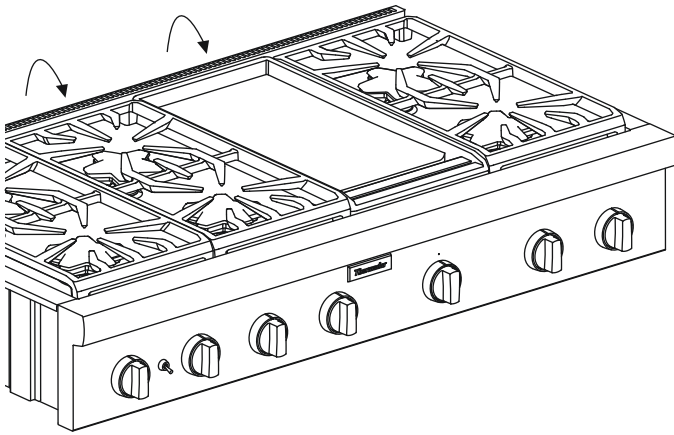
- Les chapeaux des brûleurs sont-ils correctement alignés et posés sur les bases des brûleurs?
- Les orifices des brûleurs sont-ils bouchés?
- Un fusible a-t-il sauté ou le disjoncteur s'est-il déclenché?
- Le robinet manuel de coupure du gaz est-il fermé, empêchant l'arrivée de gaz?

# Renseignements pour le service technique

## Plaque signalétique

La étiquette de service qui indique le numéro de modèle et le numéro de série de votre table de cuisson se trouve sous le rebord de la table de cuisson, près de la partie avant de la table de cuisson. Cette information est requise par le Service à la clientèle.

Avant que l'installation, le modèle et les numéros de série devrait être entré dans les section "Information sur le produit". Lorsque l'appareil est installé, il est difficile d'accéder à l'information.



## Information sur le produit

Afin de conserver ces données à portée de main, recopiez ici les renseignements figurant sur la fiche signalétique. Conservez votre facture pour que votre garantie soit valide.

Numéro du modèle \_\_\_\_\_

Numéro de série \_\_\_\_\_

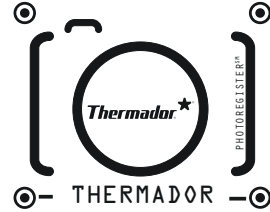
Date d'achat \_\_\_\_\_

# Enregistrement de produit

Enregistrez votre appareil auprès de BSH afin de vous assurer un service rapide et l'accès aux renseignements qui concernent votre appareil.

Vous pouvez enregistrer votre appareil de l'une des façons suivantes :

- Inscrivez-vous avec votre téléphone (aux É.-U. seulement).
- 1. Prenez une photo de l'icône de la caméra sur la carte d'enregistrement, y compris les points (⊙).



- 2.  Envoyez le message texte photo au 21432 (des frais de messagerie texte et de données peuvent s'appliquer.)
- Envoyez par la poste votre carte d'enregistrement de produit Thermador complétée.
- Enregistrez votre produit en ligne à l'adresse [www.thermador.ca](http://www.thermador.ca).
- Communiquez avec le service à la clientèle de Thermador au numéro 1-800-735-4328.

# Énoncé de garantie limitée du produit

## Couverture de la garantie et à qui elle s'applique

La garantie limitée offerte par BSH Home Appliances Corporation ("Thermador") dans cet énoncé de garantie limitée du produit ne s'applique qu'à l'appareil Thermador qui vous a été vendu, à titre de premier acheteur, pourvu que le produit ait été acheté :

- Pour une utilisation domestique normale (non commerciale) et qu'il n'ait été utilisé qu'à des fins domestiques normales.
- Neuf au détail (qu'il ne soit pas un modèle précédemment retourné, un modèle « tel-quel » ou un modèle de plancher) et non destiné à la revente ou à un usage commercial.
- Aux États-Unis ou au Canada, et qu'il soit demeuré en tout temps dans le pays de l'achat d'origine.

Les garanties aux présentes s'appliquent à l'acheteur original du Produit sous garantie et à tout propriétaire successif du produit acheté pour une utilisation résidentielle habituelle et la durée de la garantie.

Veillez vous assurer de retourner votre carte d'enregistrement ; bien que ce ne soit pas indispensable à la couverture de garantie. C'est toutefois le meilleur moyen pour Thermador de communiquer avec vous, dans le cas peu probable d'un rappel de produit ou d'un avis de sécurité.

## Durée de la garantie

Thermador garantit que le produit est exempt de défauts autant dans les matériaux que dans la main-d'oeuvre pour une période de sept cent trente (730) jours à partir de la date d'achat. Cette période commence dès la date de l'achat et ne peut pas être arrêtée, prolongée ou suspendue pour quelque raison que ce soit.

Ce produit est également garanti comme étant exempt de défaut *esthétique* au niveau du matériau et de la fabrication (par ex. d'égratignures sur l'acier inox, d'imperfections au niveau de la peinture/porcelaine, d'éclats, de bosses ou autres dommages à la finition du produit), pour une période de soixante (60) jours à partir de la date d'achat ou de la date d'achèvement pour une nouvelle construction. La présente garantie *esthétique* exclut les variations légères de couleur causées par les différences inhérentes entre les sections peintes et les sections en porcelaine, de même que les différences causées par l'éclairage de la cuisine, l'emplacement du produit et autres facteurs similaires. Cette garantie *cosmétique* exclut spécifiquement tous les appareils d'exposition, de plancher, « tel quel » et remis à neuf.

## Réparation ou remplacement comme recours exclusif

Durant cette période de garantie, Thermador ou l'un de ses fournisseurs de service autorisés réparera votre appareil sans frais (sujet à certaines limitations établies dans les présentes) s'il est prouvé qu'une défectuosité dans les matériaux ou la main-d'oeuvre affecte le fonctionnement de votre appareil. Si tous les efforts entrepris pour réparer l'appareil ont échoués, Thermador remplacera votre appareil (un modèle plus récent pourrait vous être livré, à la seule discrétion de Thermador, pour des frais additionnels). Toutes les pièces et composants deviendront la propriété de Thermador. Toutes les pièces remplacées et/ou réparées assumeront l'identité de la pièce d'origine aux fins de cette garantie et cette garantie ne sera pas prolongée suite au remplacement de ces pièces. La seule responsabilité de Thermador telle que décrite dans les présentes est de réparer un produit défectueux à la fabrication, en mandatant un fournisseur de service autorisé de Thermador durant les heures d'affaire. Pour des raisons de sécurité et de dommages aux biens, Thermador recommande de ne pas tenter de réparer vous-même le produit ou d'employer un fournisseur de services non autorisé. Thermador n'accepte aucune responsabilité pour les réparations ou le travail effectué par un fournisseur de service non autorisé. Si vous acceptez qu'une personne autre qu'un fournisseur de service autorisé travaille à réparer votre produit, CETTE GARANTIE DEVIENDRA AUTOMATIQUEMENT NULLE ET NON AVENUE. Les fournisseurs de service autorisé sont les personnes morales ou sociétés spécialement formées pour réparer les produits Thermador et qui possèdent, selon Thermador, une réputation supérieure au niveau du service à la clientèle et des compétences techniques (notez qu'il s'agit d'entités indépendantes et non d'agents, partenaires, sociétés affiliées ou représentants de Thermador). En dépit des énoncés ci-dessus, Thermador n'accepte aucune responsabilité pour un appareil se trouvant dans une région éloignée (à plus de 200 km d'un fournisseur de service autorisé), ou dans un lieu ou un environnement inaccessible, dangereux, menaçant ou hasardeux ; dans un tel cas, si vous le demandez, Thermador paiera pour les pièces et la main d'oeuvre, et expédiera le tout au fournisseur de service autorisé le plus près. Vous serez toutefois entièrement responsable des frais de déplacement ou autres frais spéciaux engagés par la société de service, assumant que cette dernière accepte d'effectuer la réparation.

## Appareil hors garantie

Thermador n'est assujettie à aucune obligation, au titre de la loi ou autrement, de vous offrir des concessions, incluant les réparations, prorata ou remplacement de produit une fois cette garantie expirée.

## Exclusions de la garantie

La garantie décrite dans les présentes exclut toutes les défauts ou dommages qui ne sont pas du fait direct de Thermador, incluant, mais sans s'y limiter, un ou plusieurs des éléments suivants :

- Utilisation du produit pour quelque raison autre que son usage normal de la façon prévue (incluant mais sans s'y limiter, toute forme d'usage commercial, d'usage ou d'entreposage d'appareils pour l'intérieur à l'extérieur, d'usage de l'appareil avec tout moyen de transport maritime ou aérien).
- Toute conduite inappropriée, négligence, mauvais usage, abus, accident, utilisation inadéquate, absence d'entretien, installation inadéquate ou négligente, modification, non-respect des instructions d'utilisation, manutention inappropriée, réparations non autorisées (incluant les réparations « maison » ou l'exploration des mécanismes internes de l'appareil).
- L'ajustement, l'altération ou la modification de toute forme que ce soit.
- Le non-respect des codes du bâtiment, règlements ou lois de la ville, de la province ou du pays en matière d'électricité, de plomberie, incluant une installation non conforme aux règlements et codes du bâtiment et des services d'incendie.
- L'usure normale, les déversements d'aliments ou de liquides, les accumulations de graisse ou d'autres substances qui s'accumulent sur, dans ou autour de l'appareil.
- Toute force et facteur extérieur causé par les éléments ou l'environnement, incluant, mais sans s'y limiter, la pluie, le vent, le sable, les inondations, les coulées de boue, les températures extrêmes, l'humidité excessive ou l'exposition prolongée à l'humidité, la foudre, les pannes de courant, les défaillances structurales autour de l'appareil et les catastrophes naturelles.

En aucun cas Thermador ne peut être tenu responsable de dommages aux biens environnants, incluant les armoires de cuisine, les planchers, les plafonds et toute autre structure ou objet entourant l'appareil. Également exclus de cette garantie sont les appareils dont les numéros de série ont été modifiés, effacés ou rendus illisibles ; les visites de service visant à vous enseigner comment utiliser l'appareil ou les visites qui ne révèlent aucune défaillance à l'appareil ; la correction des problèmes d'installation (vous êtes seul responsable de la mise en place de l'appareil, notamment au niveau de l'électricité, de la plomberie et des autres installations de raccordement,

des fondations et planchers et des modifications incluant, mais sans s'y limiter, les armoires, les murs, les planchers, les étagères, etc.) et le réenclenchement des disjoncteurs ou le changement des fusibles.

SELON LES LIMITES PERMISES PAR LA LOI, CETTE GARANTIE VOUS ACCORDE DES RECOURS EXCLUSIFS RELATIVEMENT AU PRODUIT, QUE LA RÉCLAMATION SURVIENNE DE PAR LE CONTRAT OU PAR DÉLIT CIVIL (INCLUANT LA RESPONSABILITÉ STRICTE OU LA NÉGLIGENCE) OU DE TOUTE AUTRE FAÇON. CETTE GARANTIE REMPLACE TOUTE AUTRE GARANTIE, QU'ELLE SOIT EXPRESSE OU IMPLICITE. TOUTE GARANTIE IMPLICITE EN VERTU DE LA LOI, QU'ELLE CONCERNE LA QUALITÉ MARCHANDE OU L'ADAPTATION À DES FINS PARTICULIÈRES, OU AUTREMENT, NE SERA EN VIGUEUR QUE POUR LA PÉRIODE PENDANT LAQUELLE LA GARANTIE EXPRESSE LIMITÉE EST EN VIGUEUR. EN AUCUN CAS LE FABRICANT NE PEUT ÊTRE TENU RESPONSABLE DES DOMMAGES INDIRECTS, PARTICULIERS, CONSÉCUTIFS, DÉCOULANT D'UNE « PERTE COMMERCIALE » ET/OU PUNITIFS, DES PERTES OU DÉPENSES, INCLUANT, MAIS SANS S'Y LIMITER, LE TEMPS PASSÉ LOIN DU TRAVAIL, LES HÔTELS ET/OU LES REPAS AU RESTAURANT, LES FRAIS DE REMODELAGE QUI DÉPASSENT LES DOMMAGES DIRECTS DÉFINITIVEMENT ET EXCLUSIVEMENT CAUSÉS PAR THERMADOR OU AUTREMENT. CERTAINS ÉTATS OU PROVINCES NE PERMETTENT PAR L'EXCLUSION OU LA LIMITATION DES DOMMAGES CORRÉLATIFS OU IMPRÉVUS ET CERTAINS ÉTATS OU PROVINCES NE PERMETTENT PAS D'ACCORDER UNE LIMITE DE DURÉE À LA GARANTIE IMPLICITE. PAR CONSÉQUENT LES LIMITATIONS CI-DESSUS POURRAIENT NE PAS S'APPLIQUER À VOUS. CETTE GARANTIE VOUS ACCORDE DES DROITS LÉGAUX SPÉCIFIQUES ET VOUS POURRIEZ ÉGALEMENT DISPOSER D'AUTRES DROITS QUI VARIENT D'UN ÉTAT À L'AUTRE ET D'UNE PROVINCE À L'AUTRE.

Aucune tentative de modifier ou d'amender cette garantie ne sera considérée comme applicable à moins qu'elle n'ait été autorisée par écrit par un responsable de BSH.

# Índice de MATERIAS

Seguridad .....	66
Instrucciones de seguridad importantes .....	66
Descripción .....	72
Identificación de las piezas .....	72
Antes de comenzar .....	75
Cómo comenzar .....	75
Usar la placa de cocción .....	76
Quemadores STAR® sellados .....	76
Quemadores ExtraLow® .....	77
Plancha eléctrica .....	83
Parrilla eléctrica .....	86
Cuidado y mantenimiento .....	89
Recomendaciones de limpieza .....	89
Antes de solicitar servicio .....	92
Resolución de problemas .....	92
Información para el servicio técnico .....	93
Registro de productos .....	93
Declaración de garantía limitada del producto .....	94
Soporte, accesorios, y piezas .....	última página

# Definiciones de SEGURIDAD

---

## ▲ ADVERTENCIA

---

Esto indica que se pueden producir lesiones graves o la muerte si no se cumple con esta advertencia.

---



---

## ▲ PRECAUCIÓN

---

Esto indica que pueden producirse lesiones leves o moderadas si no se cumple con esta advertencia.

---

**NOTA:** Esto indica que puede producirse un daño al electrodoméstico o a la propiedad como resultado de la falta de cumplimiento de este aviso.

**Nota:** Esto lo alerta sobre información y/o consejos importantes.

*Este electrodoméstico de THERMADOR®*  
está hecho por BSH Home Appliances Corporation  
1901 Main Street, Suite 600  
Irvine, CA 92614

---

*¿Preguntas?*

1-800-735-4328

www.thermador.com

*¡Esperamos oír de usted!*


## ⚠ INSTRUCCIONES IMPORTANTES DE SEGURIDAD LEA TODAS LAS INSTRUCCIONES ANTES DE CONTINUAR

### Lea atentamente

Instalador: Deje esas instrucciones de instalación con el aparato para el propietario.

Propietario: Guarde estas instrucciones para futuras referencias. Utilice este aparato únicamente para el fin para el cual fue diseñado, según se describe en este manual.

Examine el aparato después de desembalarlo. En el caso de que se hayan producido daños en el transporte, no lo enchufe.

<b>ADVERTENCIA</b>
 <b>La falta de observar la información en este manual puede causar un fuego o una explosión, y como resultado daños a la propiedad, lesiones o la muerte.</b>
-- <b>No guarde o use materiales combustibles, gasolina u otros vapores y líquidos inflamables cerca de este o cualquier otro aparato.</b>
-- <b>QUÉ HACER CUANDO HUELE A GAS</b>
• <b>No trate de encender ningún aparato.</b>
• <b>No toque ningún interruptor eléctrico.</b>
• <b>No use ningún teléfono en su edificio.</b>
• <b>Llame de inmediato a su proveedor de gas desde el teléfono de algún vecino. Siga las instrucciones de su proveedor de gas.</b>
• <b>Cuando no pueda localizar a su proveedor de gas, llame a los bomberos.</b>
-- <b>Un instalador calificado, una agencia de servicio autorizada o el proveedor de gas debe realizar la instalación y el servicio.</b>

---

#### ADVERTENCIA

---

Su nuevo electrodoméstico ha sido diseñado para ser seguro y confiable si recibe el cuidado adecuado. Leer atentamente todas las instrucciones antes de usarlo. Estas precauciones reducirán el riesgo de quemaduras, descarga eléctrica, incendio y heridas a personas. A la hora de utilizar el electrodomésticos de cocina se deben tomar precauciones de seguridad básicas, incluidas las que se encuentran en las páginas siguientes.

---

---

#### ADVERTENCIA

---

La instalación, ajuste, reparación y mantenimiento incorrectos del aparato pueden causar lesiones a personas o daños a la propiedad. Consulte este manual. Para obtener asistencia y consejos adicionales, consulte a un técnico cualificado, una agencia de servicio, el fabricante (o el distribuidor) o un proveedor de gas.

---

---

#### ADVERTENCIA

---

Antes de limpiar o de proceder al mantenimiento del aparato, corte la alimentación eléctrica en el panel y bloquee el dispositivo de des conexión para evitar que se vuelva a encender la alimentación eléctrica por error. Si el dispositivo de corte de electricidad no se puede bloquear, ponga una advertencia (como una etiqueta) fácilmente visible en el disyuntor.

---

### Verificación del tipo de gas

Verifique el tipo de gas del suministro. Asegúrese de que el aparato esté conectado al tipo de gas para el cual está certificado. Consulte la placa de señalización del producto.

# ⚠ INSTRUCCIONES IMPORTANTES DE SEGURIDAD

## LEA TODAS LAS INSTRUCCIONES ANTES DE CONTINUAR

---

### ADVERTENCIA

---

En caso kit de conversión de Gas LP Este kit de conversión deberá ser instalado por una agencia de servicio calificada de acuerdo con las instrucciones del fabricante y respetando todos los requisitos y normas de la autoridad competente. Si la información en estas instrucciones no se sigue con exactitud, se puede producir un incendio, una explosión o una emisión de monóxido de carbono, ocasionando daños a la propiedad, lesiones a las personas o incluso la muerte. La agencia de servicio calificada es responsable de la instalación adecuada de este kit. La instalación no se considerará correcta y completa hasta que se haya comprobado el funcionamiento del electrodoméstico adaptado del modo especificado en las instrucciones del fabricante que se facilitan con el kit.

---

---

### PRECAUCIÓN

---

Cuando conecte el aparato con gas propano, asegúrese de que el tanque de gas propano venga con su propio regulador de alta presión además del regulador de presión que se incluye con la placa de cocción. La máxima presión de gas de este aparato no debe exceder 14,0 pulgadas de columna de agua (34 mb) del tanque de gas propano al regulador de presión.

---

#### Para instalaciones en Massachusetts

1. La instalación debe realizarse por un contratista, un fontanero o un técnico de gas cualificado o autorizado por el estado, la provincia o región donde se esté instalando este aparato.
2. La válvula de cierre debe ser un grifo de gas en T.
3. El conducto flexible de gas no debe medir más de 36 pulg. (914 mm).

Garantice una instalación y servicio técnico adecuados. Siga el Manual de instalación que se proporciona con este producto. Llame a un técnico calificado para que instale y conecte eléctricamente a tierra el aparato.

En el caso de que haya un escape de gas en un quemador, abra una ventana o una puerta. **NO** intente usar el electrodoméstico antes de que el gas se haya disipado. Apagar el electrodoméstico y esperar al menos 5 minutos.

**NO** repare ni reemplace ninguna pieza del aparato, a menos que se recomiende específicamente en este manual. Si necesita llevar a cabo cualquier otro tipo de servicio técnico, consulte a un técnico calificado.

### Requisitos eléctricos

---

### ADVERTENCIA

---



#### EN CASO DE FALLO ELÉCTRICO

Si por algún motivo una perilla de gas está prendida y no hay corriente eléctrica para operar los encendedores eléctricos en los quemadores de gas de la estufa, apague la perilla de control y espere 5 minutos para que se disipe el gas antes de prender el quemador manualmente.

Para prender los quemadores manualmente, sostenga un cerillo prendido cerca de los orificios del quemador y gire la perilla de control de gas a HI. Durante un fallo de luz, usted puede usar los quemadores estándares de la estufa, pero los debe encender con un cerillo.

**NO** trate de encender los quemadores XLO<sup>®</sup> manualmente. Estos quemadores vienen equipados con la opción ExtraLow<sup>®</sup> y no se pueden encender manualmente.

---

El electrodoméstico debe conectarse a tierra conforme a la normativa local o, en ausencia de esta, conforme al Código Eléctrico Nacional (ANSI/NFPA 70) o al Código Eléctrico de Canadá (CSA C22.1-02).

---

### ADVERTENCIA

---

#### No Operar Nunca La Zona De Cocción De La Superficie.

- Si no se observa esta advertencia, se podría producir una explosión o un riesgo de quemaduras que podría dar lugar a daños materiales, personales o incluso la muerte.
  - Si ocurriera un incendio, mantenerse alejado del aparato y ponerse en contacto de inmediato con los bomberos. **NO INTENTAR EXTINGUIR CON AGUA UN INCENDIO CAUSADO POR ACEITE/GRASA.**
- 

Quite siempre el enchufe eléctrico del enchufe de la pared antes de dar servicio en el electrodoméstico.

Lea las instrucciones de instalación para conocer los requisitos de alimentación eléctrica y de toma de tierra.

Pídale al instalador que le muestre dónde se encuentra la válvula de cierre de gas y el disyuntor, de manera que usted sepa cómo y dónde apagar el suministro de gas y la alimentación eléctrica le electrodoméstico.

# ⚠ INSTRUCCIONES IMPORTANTES DE SEGURIDAD

## LEA TODAS LAS INSTRUCCIONES ANTES DE CONTINUAR

Se deben efectuar correctamente la instalación y el mantenimiento de este aparato. Siga las instrucciones de instalación que se incluyen con el producto. Asegúrese de que un técnico cualificado instale el aparato y realice la toma de tierra le electrodoméstico.

**Este aparato cumple con una o más de las Normas y códigos de seguridad:**

- ANSI Z21.1 para Aparatos Domésticos de Gas
- UL858 para Estufas Eléctricas de Uso Doméstico
- CAN/CSA-22.2 No. 61-M89 para Estufas Domésticas
- CAN/CGA 1.1-M81 Estufas Domésticas de Gas

La instalación debe realizarse cumpliendo las normas locales o, en ausencia de estas, conforme al Código Nacional de Combustibles Gaseosos (ANSI Z223.1/NFPA 54) o, si se lleva a cabo en Canadá, al Código de Instalación de Gas Natural y Propano (L.P.) (CSA B149.1).

La instalación de los electrodoméstico en casas rodantes debe cumplir con la Norma de Construcción y Seguridad de Casas Fabricadas, Título 24 CFR, Parte 3280 [denominada anteriormente Norma Federal para la Construcción y Seguridad de Casas Rodantes, Título 24, HUD (Parte 280), (para los Estados Unidos)

La instalación de los aparatos diseñados para remolques de parques recreativos debe cumplir con los códigos estatales o de otro tipo o, en ausencia de dichos códigos, con el estándar para remolques recreativos de parque, ANSI A119.5.

Incumbe al dueño y al instalador determinar si se deben aplicar requisitos o normas adicionales a la instalación específica.

Los espacios libres necesarios para los materiales no combustibles no forman parte de la norma ANSI Z21.1 y no se mencionan en las normas de la CSA. Los códigos locales o las autoridades locales deben aprobar.

### Seguridad de los niños

Cuando los niños lleguen a la edad suficiente para operar el aparato, es responsabilidad de los padres o de los tutores asegurar que personas cualificadas los instruyan sobre prácticas seguras.

---

#### PRECAUCIÓN

**NO** almacene objetos de interés para los niños encima de electrodoméstico o en la parte trasera de ésta. Podrían subir sobre de electrodoméstico para alcanzarlos y sufrir heridas serias.

---

NO permita que nadie se ponga de pie, se siente o se cuelgue de alguna pieza del aparato, esto podría dañar el aparato o hacerlo volcar, causando posiblemente graves lesiones.

Nunca deje niños o animales solos o sin supervisión en el cuarto donde está funcionando el aparato. Nunca deberían tener la autorización de jugar cerca del aparato, esté funcionando o no.

### Información de seguridad general

---

#### ADVERTENCIA

Para eliminar el riesgo de sufrir quemaduras o que se produzca un incendio al alcanzar las unidades cuya superficie esté caliente, se deberá evitar colocar gabinetes de almacenamiento encima de las unidades de la superficie.

---

---

#### ADVERTENCIA

Este aparato está diseñado como un aparato para cocinar. Nunca utilice el aparato para calentar o calefaccionar la habitación.

---

---

#### ADVERTENCIA

#### PARA REDUCIR LOS RIESGOS DE LESIONES, EN CASO DE INFLAMACIÓN DE GRASA, LEA LO SIGUIENTE

- Sofoque las llamas con una tapa ajustada, una hoja u otra bandeja metálica, luego apague el quemador de gas o el fogón. Tenga cuidado de no quemarse. Si las llamas no desaparecen enseguida, evacue la cocina y llame el servicio de incendios.
  - Nunca tome una sartén en llamas – Podría quemarse.
  - **NO USE AGUA** o un trapo o una toalla mojada: se producirá una explosión de vapor.
  - Use un extintor sólo si:
    - Sabe que tiene un extintor de tipo ABC y sabe cómo usarlo.
    - El fuego es pequeño y se limita al sitio donde comenzó.
    - Ya ha llamado al servicio de incendios.
    - Puede luchar contra el fuego y tiene acceso a una salida.
-

# INSTRUCCIONES IMPORTANTES DE SEGURIDAD

## LEA TODAS LAS INSTRUCCIONES ANTES DE CONTINUAR

---

### ADVERTENCIA

---

#### PARA REDUCIR LOS RIESGOS DE INFLAMACIÓN DE LA GRASA

- Nunca deje de electrodoméstico sin atención cuando cocine a fuego alto. Los derrames causan humo y la grasa derramada puede arder. Caliente el aceite lentamente, a fuego lento o medio.
  - Encienda Siempre la campana cuando cocine a fuego alto o flamee alimentos (p.e. crepes Suzette, cerezas al jubileo, carne flameada a la pimienta).
  - Limpie los ventiladores frecuentemente. No deje que la grasa se acumule sobre los ventiladores o los filtros.
  - Use ollas de tamaño adecuado. Siempre use utensilios de cocina adecuados para el tamaño del fogón o del quemador.
- 

Nunca use el electrodoméstico para almacenar cosas. Los materiales inflamables pueden arder y los artículos de plástico pueden derretirse o quemarse. No cuelgue artículos de ninguna parte del aparato. Algunas telas son muy inflamables y pueden prender fuego.

Si de electrodoméstico está cerca de una ventana, asegúrese de que las cortinas no alcancen los quemadores ya que podrían arder.

Asegúrese de que siempre haya un detector de humo en funcionamiento cerca de la cocina. Si sus prendas o sus cabellos prenden fuego, tírese al suelo inmediatamente y dé vueltas para apagar las llamas.

Tenga un extintor apropiado a su disposición, cerca, muy visible y fácilmente accesible al lado del aparato.

Sofoque las llamas de los alimentos ardiendo, que no sea fuego de grasa, con bicarbonato sódico. Nunca utilice agua en incendios de cocina.

Cuando sea posible, apague el sistema de ventilación si hay fuego en su de electrodoméstico. No intente alcanzar las perillas a través del fuego para apagarlas.

NUNCA permita el contacto de la ropa, asas de ollas u otros materiales inflamables con ningún quemador o rejilla de quemador hasta que se haya enfriado. Las telas pueden arder y causar lesiones serias.

Siempre use asas secas para las ollas: Las asas mojadas o húmedas pueden causar quemaduras por el vapor. No use una toalla u otro trapo que estorbe en lugar de las asas. No permita que las asas toquen rejillas de quemadores, quemadores infrarrojos, o quemadores calientes.

Por cuestiones de seguridad use ropa adecuada. No use ropa holgada o mangas que cuelguen cuando use este aparato. Algunas telas sintéticas son muy inflamables y no deben usarse mientras cocina.

No use papel de aluminio para forrar ninguna parte en el electrodoméstico. De lo contrario podría causar una descarga eléctrica o un fuego, o se podría obstruir el flujo del aire de combustión y de ventilación. El aluminio es un excelente aislante térmico y retiene el calor. Su utilización afectará a la cocción y podría dañar el acabado en el electrodoméstico.

---

### ADVERTENCIA

---

Este aparato sirve para cocinar. Nunca utilice esta unidad como un calentador para calentar el cuarto. De lo contrario podría sufrir una intoxicación por monóxido de carbono, sobrecalentar el aparato y dañar piezas.

---

Cuando use de electrodoméstico: **NO TOQUE LAS REJILLAS DE LOS QUEMADORES O EL ÁREA CERCANA.** Las áreas cercanas a los quemadores pueden calentarse lo suficiente como para causar quemaduras.

Nunca deje el aparato desatendido cuando cocine a altas temperaturas. Los derrames causan humo y puede inflamar la grasa derramada. Además, si se sofocan las llamas de un quemador, se escapará gas a la habitación. Vea la página 66 para tener más información sobre fugas de gas.

Use solamente ciertos tipos de utensilios de vidrio, vidrio cerámico refractario, cerámica, barro u otros vidrios que estén disponibles para cocinar con los quemadores en el electrodoméstico. Este tipo de utensilio puede romperse con cambios repentinos de temperatura. Utilice solamente llama media o baja según las indicaciones del fabricante del utensilio.

No caliente recipientes cerrados. La presión acumulada puede causar que el contenedor explote y provocar lesiones.

---

### ADVERTENCIA

---

Tenga cuidado y asegúrese de que las corrientes de aire producidas por aberturas de ventilación o ventiladores no lleven material inflamable hacia las llamas ni empujen las llamas de modo que éstas se extiendan más allá de los bordes de la olla.

---

# ⚠ INSTRUCCIONES IMPORTANTES DE SEGURIDAD

## LEA TODAS LAS INSTRUCCIONES ANTES DE CONTINUAR

Siempre use ollas con un fondo plano suficientemente grandes para cubrir el quemador. El uso de ollas muy pequeñas podría dejar expuesta una parte de la llama y podría resultar que la ropa arda.

---

### ADVERTENCIA

---

Evite el uso de llamas altas con una olla más grande que la rejilla o con una olla que abarque más de un quemador, como una plancha, por periodos largos de tiempo. Esto puede causar una mala combustión que genere derivados nocivos.

**NO** use ollas o sartenes en la parrilla (vendida por separado). Nunca se deben usar ollas grandes, las bandejas para galletas, etc. en el electrodoméstico.

No use detergentes inflamables para limpiar en el electrodoméstico.

Quite la tabla de cortar opcional de la cubierta de la plancha antes de utilizar la plancha o los quemadores adyacentes.

**LA GRASA ES INFLAMABLE.** Permita que la grasa caliente se enfríe antes de tratar de manipularla. Evite la acumulación de depósitos de grasa. Limpie después de cada uso.

Para que se enciendan y funcionen correctamente los quemadores, mantenga limpios los orificios de los encendedores. Límpielos cuando se derramen alimentos hervidos o cuando el quemador no se encienda bien, aunque funcione el sistema de encendido electrónico.

Limpie el electrodoméstico cuidadosamente. Evite quemaduras de vapor: **NO** use una esponja o un trapo húmedo para limpiar el electrodoméstico cuando esté caliente. Algunos detergentes producen vapores nocivos cuando son aplicados a una superficie caliente. Siga las indicaciones del fabricante del detergente.

---

### ADVERTENCIA

---

Apague el quemador después de un derrame de alimentos y limpie el área alrededor de los orificios de los quemadores. Después de la limpieza, asegúrese de que funcione normalmente.

Asegúrese de que todos los controles el electrodoméstico estén apagados y esté fría antes de usar algún tipo de detergente aerosol encima o alrededor el electrodoméstico. Los químicos provocados por la acción del spray podrían inflamarse o causar la corrosión de partes metálicas en presencia de calor.

**NO** obstruya el flujo del aire de combustión o de ventilación.

---

### ADVERTENCIA

---

**NO** bloquee y obstruya las aberturas de la rejilla de ventilación. La rejilla de ventilación se sitúa detrás del aparato. La rejilla de ventilación debe estar despejada y abierta para permitir la circulación de aire necesaria para el buen funcionamiento del aparato.

**NO** toque la zona de alrededor de la rejilla de ventilación cuando esté funcionando el aparato ni durante varios minutos después de la utilización del mismo. Algunas piezas de la rejilla de ventilación y de la zona adyacente llegan a estar suficientemente calientes como para provocar quemaduras. Deje tiempo suficiente para que el aparato pueda enfriarse antes de tocarlo o limpiarlo.

**NO** coloque objetos de plástico o de otras materias sensibles al calor en la rejilla de ventilación o cerca de ella. Podrían prender fuego.

Solamente técnicos autorizados deben dar servicio. Los técnicos deben desconectar la fuente de alimentación antes de dar servicio a esta unidad.

No deberían prepararse alimentos muy grasientos sobre una parrilla interior. La cocción de alimentos grasientos (como algunas variedades de carne picada o de salchichas, etc.) aumenta las posibilidades de formación de humo y llamas.

Al cocinar alimentos grasientos sobre los quemadores, la parrilla o la plancha: los quemadores adyacentes pueden arder y provocar humo. Tenga cuidado de no quemarse.

Para evitar el riesgo de incendio, limpie frecuentemente la campana y sus filtros para impedir las acumulaciones de grasa.

En caso de incendio, si flamea intencionalmente alcohol en el electrodoméstico, siga las instrucciones del fabricante. Tenga cuidado al cocinar con alcohol (ej.: ron, brandy, bourbon). El alcohol se evapora a altas temperaturas. Los vapores de alcohol pueden arder y causar riesgo de quemadura. Sólo use pequeñas cantidades de alcohol con los alimentos.

**NO** almacene o use químicos corrosivos, vapores, productos inflamables o no alimenticios en o cerca de este aparato. Este tipo de electrodoméstico está diseñada específicamente para calentar o cocinar alimentos. El uso de químicos corrosivos cuando caliente o limpie la placa de cocción puede dañar el aparato y causar lesiones.

# INSTRUCCIONES IMPORTANTES DE SEGURIDAD

## LEA TODAS LAS INSTRUCCIONES ANTES DE CONTINUAR

---

### ADVERTENCIA

---

No se debería instalar este aparato con un sistema de ventilación de corriente descendiente. Este tipo de sistema de ventilación puede presentar riesgo de ignición y problemas de combustión, provocando lesiones corporales, daños materiales o un funcionamiento involuntario. No se aplica ninguna restricción a los sistemas de ventilación de corriente ascendiente.

---

**IMPORTANTE:** Existe la posibilidad de que la pared trasera se decolore bajo ciertas condiciones de cocción.

Advertencia en virtud de la Proposición 65:

Este producto puede contener un químico que el Estado de California reconoce como potencialmente cancerígeno o causante de daños reproductivos. Por tanto, su producto debe llevar en su embalaje la siguiente etiqueta de conformidad con la legislación de California:

**ADVERTENCIA EN VIRTUD DE LA PROPOSICIÓN 65 DEL ESTADO DE CALIFORNIA:**

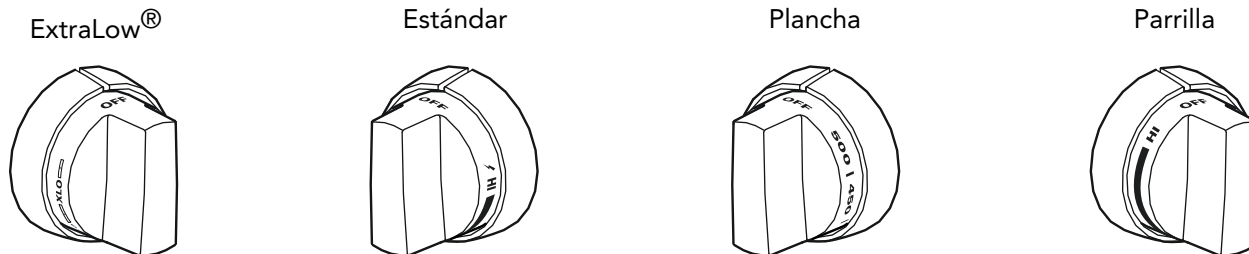
 **ADVERTENCIA**

Cáncer y daño reproductivo - [www.P65Warnings.ca.gov](http://www.P65Warnings.ca.gov)

# Descripción

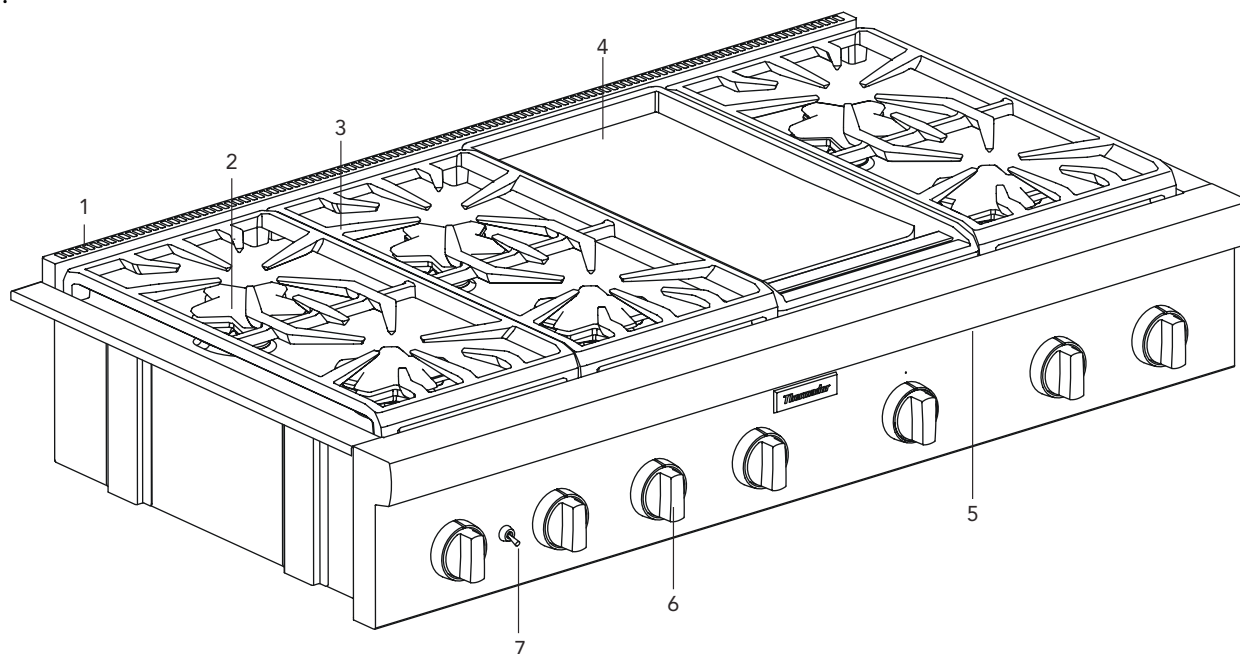
## Identificación de las piezas

Descripción de los tableros de control



Identificación de la placas de cocción

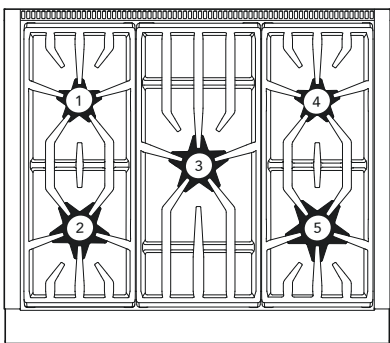
El modelo mostrado es la placas de cocción de 48 pulg. con opción de módulo de aparato de plancha (los modelos varían).



- 1 Moldura para isla ilustración o consola trasera baja vendida por separado (Sin embargo, consulte la advertencia acerca del espacio detrás de la cocina cuando utiliza la estufa con este accesorio.)
- 2 Quemadores
- 3 Rejillas
- 4 Plancha (parrilla también están disponibles pero no se muestran)
- 5 LED iluminación de panel
- 6 Perillas de control y biseles
- 7 Interruptor de LED iluminación de panel

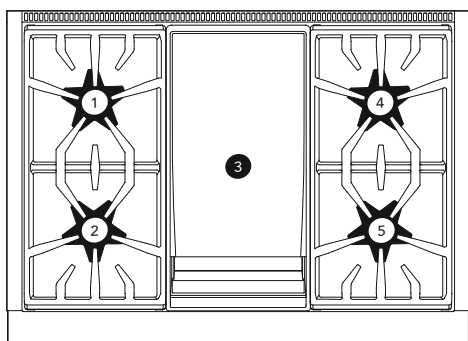
## Identificación de superficie superior

### Modelo 305



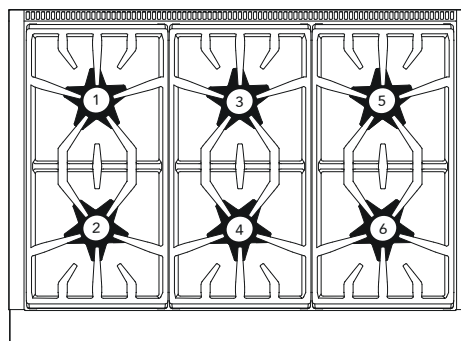
- (1) Quemador ExtraLow Natural 8000, LP 6000 BTU
- (2) Quemador ExtraLow Natural 18000, LP 14000 BTU
- (3) Quemador estándar Natural 10000, LP 9100 BTU
- (4) Quemador estándar Natural 8000, LP 6000 BTU
- (5) Quemador estándar Natural 15000, LP 11000 BTU

### Modelo 364 con plancha



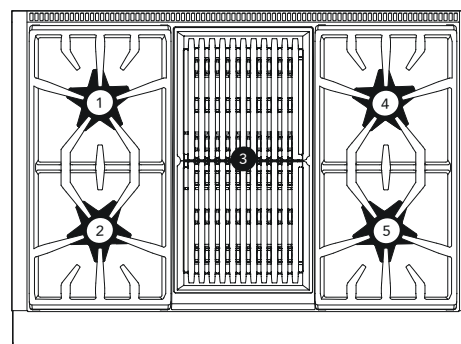
- (1) Quemador ExtraLow Natural 15000, LP 11000 BTU
- (2) Quemador ExtraLow Natural 18000, LP 15000 BTU
- (3) Plancha 1 630W
- (4) Quemador estándar Natural 15000, LP 11000 BTU
- (5) Quemador estándar Natural 18000, LP 15000 BTU

### Modelo 366



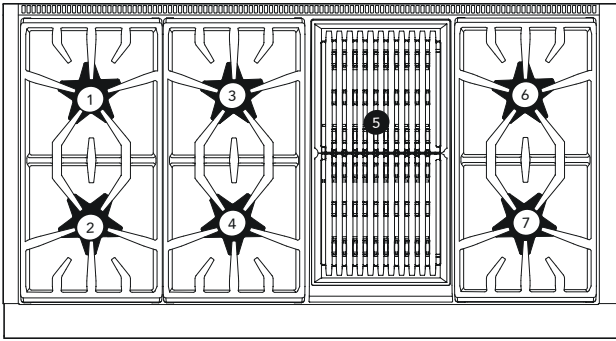
- (1) Quemador ExtraLow Natural 15000, LP 11000 BTU
- (2) Quemador ExtraLow Natural 18000, LP 15000 BTU
- (3) Quemador estándar Natural 15000, LP 11000 BTU
- (4) Quemador estándar Natural 18000, LP 15000 BTU
- (5) Quemador estándar Natural 15000, LP 11000 BTU
- (6) Quemador estándar Natural 18000, LP 15000 BTU

### Modelo 364 con parrilla



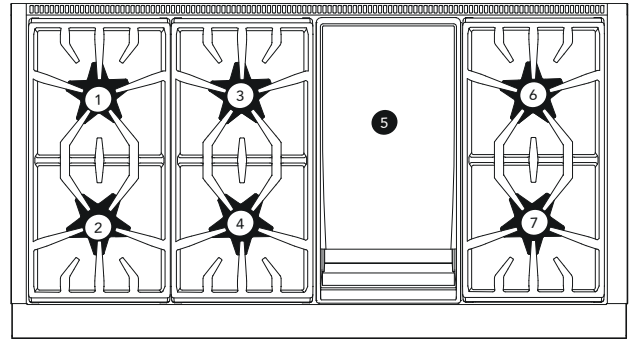
- (1) Quemador ExtraLow Natural 15000, LP 11000 BTU
- (2) Quemador ExtraLow Natural 18000, LP 15000 BTU
- (3) Parrilla 815W x2
- (4) Quemador estándar Natural 15000, LP 11000 BTU
- (5) Quemador estándar Natural 18000, LP 15000 BTU

### Modelo 486 con parrilla



- |                       |                             |
|-----------------------|-----------------------------|
| (1) Quemador ExtraLow | Natural 15000, LP 11000 BTU |
| (2) Quemador ExtraLow | Natural 18000, LP 15000 BTU |
| (3) Quemador estándar | Natural 15000, LP 11000 BTU |
| (4) Quemador estándar | Natural 18000, LP 15000 BTU |
| (5) Parrilla          | 815W x 2                    |
| (6) Quemador estándar | Natural 15000, LP 11000 BTU |
| (7) Quemador estándar | Natural 18000, LP 15000 BTU |

### Modelo 486 con plancha



- |                       |                             |
|-----------------------|-----------------------------|
| (1) Quemador ExtraLow | Natural 15000, LP 11000 BTU |
| (2) Quemador ExtraLow | Natural 18000, LP 15000 BTU |
| (3) Quemador estándar | Natural 15000, LP 11000 BTU |
| (4) Quemador estándar | Natural 18000, LP 15000 BTU |
| (5) Plancha           | 1 630W                      |
| (6) Quemador estándar | Natural 15000, LP 11000 BTU |
| (7) Quemador estándar | Natural 18000, LP 15000 BTU |

# Antes de Comenzar

## Cómo comenzar

Retirar toda la cinta y el embalaje antes de usar el electrodoméstico. Desechar el embalaje de manera respetuosa con el medio ambiente. No dejar nunca que los niños jueguen con el material de embalaje.

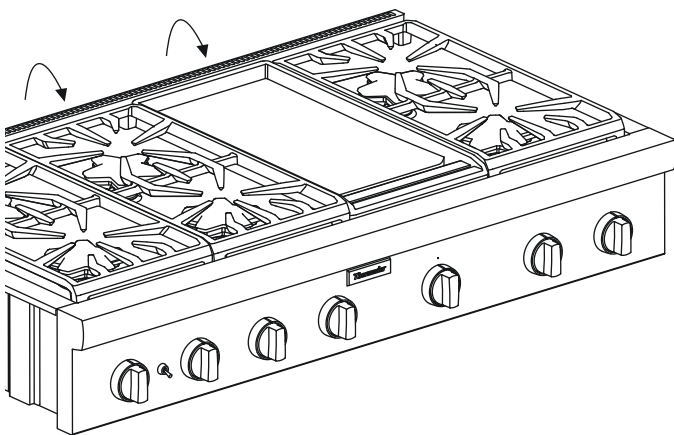
## Nombres de marcas

El uso de nombres de marcas sirve únicamente para indicar un tipo de detergente y no constituye ninguna promoción. La omisión de un nombre de marca no implica su aptitud o insuficiencia. Muchos de los productos mencionados se pueden encontrar en los mercados locales. Es imprescindible usar todos los productos rigurosamente conforme a las instrucciones del empaque.

## Placa de señalización

Registre el modelo y el número de serie en le "Información del producto" en la página 93. En la etiqueta de clasificación se muestran el modelo y el número de serie. La placa con información del aparato mostrando el modelo y número de serie de su aparato se encuentra como se muestra en la Figura.

Se requiere esta información si el cliente solicita servicio. Antes de la instalación, el modelo y los números de serie deben ser escritos en los espacios apropiados en la sección "Información del producto" cerca de la parte trasera del Manual de Uso y Cuidado. Una vez instalada, es difícil acceder a la información.



## Hornilla de superficie

1. Asegúrese de que las tapas de los quemadores STAR® estén bien colocados en sus bases ("Verificación de la posición de las tapas de los quemadores" en la página 76).
2. Encienda cada quemador para asegurarse de que el color de la llama es correcto. Consulte la sección "Descripción de la llama" en la página 78 para obtener más detalles.

Las placas de cocción Professional® de Thermador emiten a veces olores particulares o humo cuando se usan por primera vez. Esos olores o este humo provienen de residuos de fabricación al ser quemados, lo que es típico en una nueva placa de cocción, sin importar el fabricante.

Tenga en cuenta que los pájaros domésticos pueden ser sensibles a los olores producidos durante la utilización de la hornilla a temperaturas altas, provenientes de la combustión de residuos de fabricación o de alimentos. Por eso, se recomienda no dejar los pájaros domésticos en la cocina.

---

### ⚠ PRECAUCIÓN

---

Todas las perillas de control deben estar a la posición OFF antes de encender la placa de cocción. Para evitar un funcionamiento no deseado, gire todas las perillas de control a la posición OFF.

---

# Usar la placa de cocción

## Quemadores STAR® sellados

### ▲ ADVERTENCIA

Para evitar que los productos se prendan fuego o que se creen gases nocivos, no use la superficie de la estufa si las tapas y las rejillas no están todas colocadas correctamente.

### ▲ ADVERTENCIA

Para prevenir quemaduras, evite tocar las tapas y las rejillas de los quemadores cuando estén calientes. Apague la estufa y deje los quemadores enfriarse.

## Colocación de las tapas de los quemadores

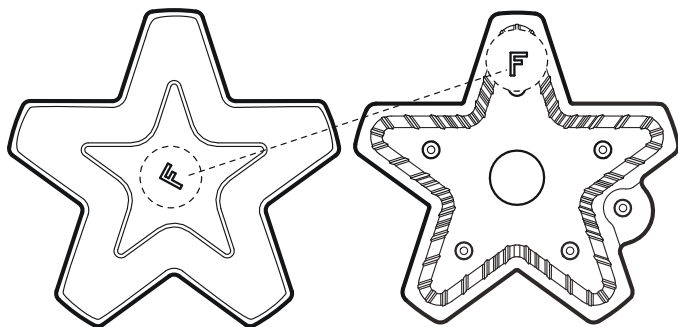
Para asegurar un funcionamiento correcto, se deben colocar correctamente las tapas de los quemadores STAR® sobre su base. Si la tapa no se coloca correctamente, podría ocurrir uno de los siguientes problemas:

- Las llamas del quemador son demasiado altas
- Llamas excesivas salen del quemador
- El quemador no se enciende
- Las llamas del quemador son irregulares
- El quemador desprende olores.

Cada tapa tiene una letra (B, D o F) grabada en la parte inferior de la tapa que corresponde a una letra (B, D o F) grabada en la base de la hornilla que está unida al electrodoméstico.

### Colocar las tapas de los quemadores

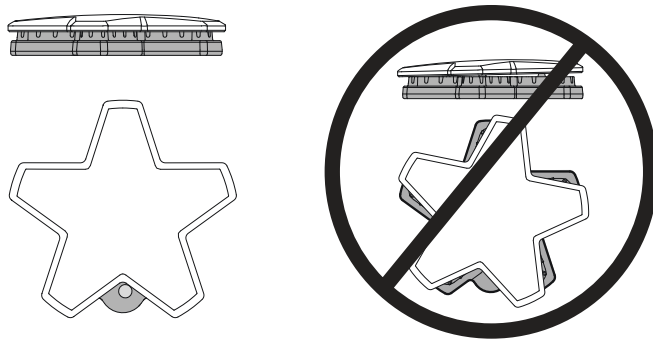
1. Coloque la tapa de cada hornilla en la base de la hornilla correcta según la designación de letra correspondiente.



2. Coloque la tapa de la hornilla suavemente sobre la base, de modo que los dientes de la base de la hornilla calcen bien en la ranura de la tapa de la hornilla.

### Verificación de la posición de las tapas de los quemadores

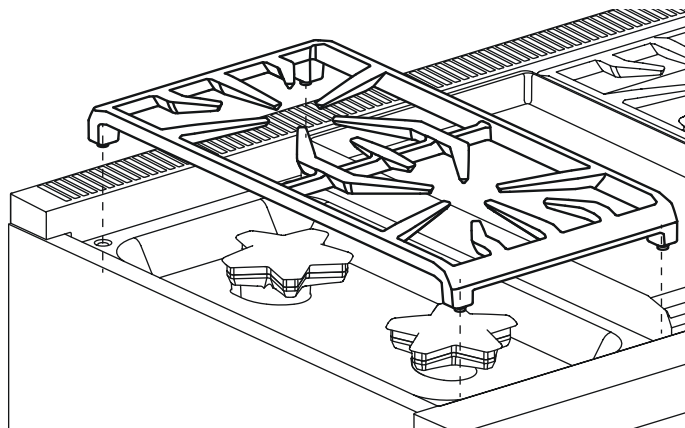
- Compruebe cada quemador para asegurarse de que no hay espacio entre la tapa y la base del quemador. Vea Figura para ejemplos de tapa de quemador instalada correcta e incorrectamente.
- Puede intentar mover con cuidado las tapas de los quemadores lateralmente para asegurarse de que estén colocadas correctamente en su base.
- Cuando es el caso, las tapas están rectas en la base y cubren completamente la base del quemador en forma de estrella al mirarlas desde arriba.



## Colocación de las rejillas de los quemadores

### Para instalar las rejillas de los quemadores

1. Colóquelas con el lado plano hacia abajo y alinéelas en el hueco de la tabla de cocción.
2. Las rejillas tienen que apoyarse las unas sobre las otras y descansar en los bordes del hueco.



## Perillas de control

Las perillas de control para dos quemadores sellados de gas, uno en la parte delantera y uno en el fondo, se encuentran directamente en frente de y debajo del par de quemadores en el panel de control.

## Operación de los quemadores

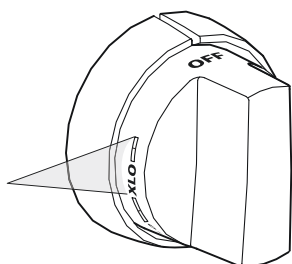
1. Oprima la perilla y gírela en sentido opuesto a las agujas del reloj a la posición HI.
  - El encendedor del quemador seleccionado hace un chasquido y echa chispas.
  - Después de encender la llama, el chasquido del encendedor se detiene.
2. Gire la perilla a cualquier ajuste de la llama entre HI y LO.

## Luz de panel LED

Ubicado debajo del borde redondeado, la luz del panel LED proporciona iluminación de la tarea con una ambiente teatral.

El interruptor de balancín en el panel de control enciende y apaga la luz.

## Quemadores ExtraLow®



El dibujo muestra que la perilla de control tiene un rango adicional entre el ajuste XLO. Cuando se ajusta la perilla dentro de este rango, la llama se prende y se apaga.

Variando la duración de tiempo que se prende y apaga la llama, se puede reducir el calor aún más para cocinar alimentos delicados. Por ejemplo, estos ajustes de calor muy bajo son apropiados para hervir a fuego lento y para escalfar, derretir chocolate y mantequilla, mantener calientes alimentos cocidos a temperaturas sin quemarlos, etc.

### Operación del quemador ExtraLow

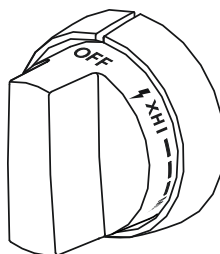
- Se logra el ajuste más bajo de calor, XLO, al prender la llama por aprox. 10 segundos y apagarla por 50 segundos de cada minuto.
- Cuando se ajusta la perilla justamente debajo de la posición XLO, se prende la llama por aprox. 10 segundos y se apaga por 50 segundos de cada minuto.

- Para variar la cantidad de bajo calor y para adecuarse a los alimentos y las cantidades, se puede ajustar el control en cualquier posición dentro del rango de XLO marcado en la perilla.

### Técnicas ExtraLow

- Para mantener un bajo calor, se debe calentar el alimento hasta hervir. Revuelva bien, luego tape la olla y baje el calor a un ajuste un poco abajo de XLO.
- Cuando se usa una olla extra grande, la acción de hervir a fuego lento puede ocurrir principalmente en el centro de la olla. Para igualar la temperatura en todo el alimento, revuélvalo bien en los extremos exteriores de la olla hacia el centro del alimento.
- Es normal revolver el alimento de vez en cuando mientras lo hierve a fuego lento. Esto es muy importante cuando lo hace por varias horas, como para una salsa casera de espaguetis o frijoles.
- Es normal ver burbujas del fuego lento inmediatamente después de revolver el alimento.
- Puede haber burbujas cuando la llama se prende y se apaga en ciclos y ninguna burbuja cuando la llama está apagada. Aún cuando la llama está apagada, habrá vapor y una ligera agitación en la superficie del líquido.

## POWERBOOST® (modelos seleccionar)



La perilla de control POWERBOOST, o XHI, es práctico para hervir agua, cocinar filetes a fuego vivo, saltar verduras, etc. Las funciones XLO se usan de la misma forma que con los demás quemadores.

## Reencendido automático

### ⚠ PRECAUCIÓN

No toque los quemadores cuando los encendedores echan chispas.

Cada quemador tiene su propio encendedor electrónico que echa chispas cuando se activa la perilla. Los quemadores deben encenderse en 4 segundos o menos. Si un quemador no se enciende, asegúrese de que la tapa esté colocada correctamente sobre la base.

Si se apagan las llamas de uno o más quemadores, el encendedor electrónico echa chispas automáticamente para volver a encender la llama. No toque los quemadores cuando los encendedores echen chispas.

#### IMPORTANTE:

- Para una combustión adecuada, no use la estufa sin tener las rejillas de los quemadores en su lugar.
- Hay un ligero sonido asociado con la combustión de gas y el encendido. Esto es normal.
- Con las placas de cocción alimentadas por propano, es posible que oiga un chasquido a nivel de los orificios de los quemadores unos segundos después de apagarlos.

## Apagón

### ▲ ADVERTENCIA

En el caso de un apagón, se deben girar todas las perillas a la posición OFF. Solamente se pueden encender manualmente los quemadores estándares.

- Solamente en el caso de una falla de electricidad pueden encenderse manualmente los quemadores estándares. Es necesario encender cada uno individualmente.
- Si se está usando la parrilla cuando se va la luz, gire todas las perillas a la posición OFF (Apagado).
- Se pueden encender los quemadores estándar con un cerillo prendido cerca de los puertos y girando la perilla de control a la posición HI. Espere hasta que la llama envuelva toda la tapa del quemador antes de ajustar la llama a la altura deseada.
- No se puede usar el quemador ExtraLow durante una falla de electricidad. Asegúrese de apagarlo.
- Si el quemador ExtraLow está prendido cuando se va la luz, no se puede volver a prender hasta no apagar primero la perilla.
- No se pueden usar la plancha durante una falla de luz.
- Si huele a gas, consulte las precauciones de seguridad listadas dentro de la portada.

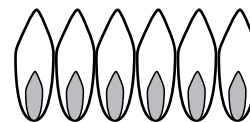
## Altura de la llama

- La altura correcta de la llama depende de: 1) tamaño y material de la olla utilizada; 2) alimento que se está preparando; 3) cantidad de líquido en la olla.
- La llama nunca se debe extender más allá de la base de la olla.
- Use una llama baja o mediana para ollas de materiales que conduzcan el calor lentamente, como el acero esmaltado o la vitrocerámica.

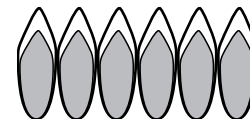
## Descripción de la llama

### Características de la llama

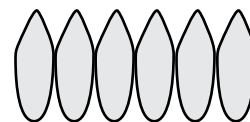
Flama amarilla:  
Se requiere más ajuste.



Puntas amarillas sobre  
conos:  
Normal para Gas LP.



Flama azul suave:  
Normal para Gas Natural.



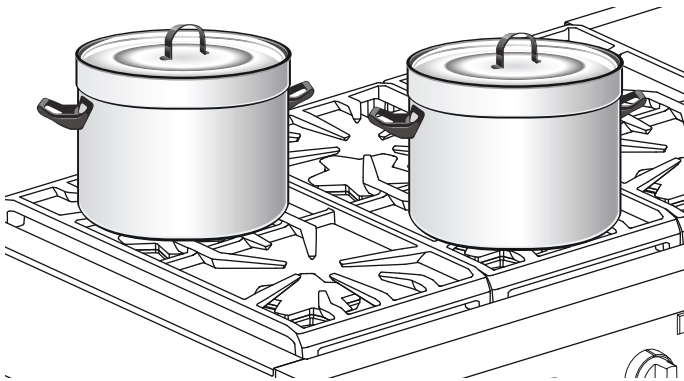
- Si la flama es casi o completamente amarilla, verifique que el regulador está establecido para el combustible correcto. Posterior al ajuste, vuelva a probar.
- Se pueden producir algunas rayas anaranjadas en el encendido inicial.
- Permita que la unidad trabaje durante 4-5 minutos y vuelva a evaluar antes de realizar ajustes.
- La llama de los quemadores debe ser de color azul sin puntas amarillas. A veces, toma parcialmente un color naranja: esto indica que se están quemando impurezas suspendidas en el aire. Desaparecerá con el uso.
- Con gas propano (LP), es normal tener algunas puntas de color amarillo en el cono principal.
- La llama debe quemar completamente alrededor de la tapa del quemador. En caso contrario asegúrese de que la tapa esté colocada correctamente sobre la base y que los puertos no estén tapados.
- La llama debe estar estable sin ruido o flameado excesivo.

## Recomendaciones para los utensilios de cocina

### ⚠ PRECAUCIÓN

Para evitar dañar seriamente el aparato o las ollas, lea las siguientes instrucciones:

- Nunca se deben usar grandes utensilios en la superficie de la estufa, como cazuelas grandes, bandejas para galletas, etc.
- Las ollas grandes para caldos deben colocarse en forma escalonada cuando se usan en la estufa.

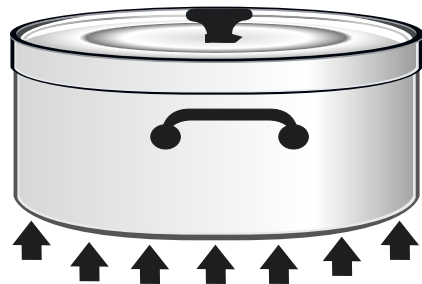


- Seleccione ollas cuyo diámetro coincida con el diámetro de la llama. El diámetro de la llama debe ser del mismo tamaño que la base de la olla o ligeramente más pequeña. Ollas demasiado grandes o pequeñas perjudican el rendimiento. Generalmente un tamaño de olla de 5½ pulg. (140 mm) es el más pequeño que se recomienda.
- Evite usar durante demasiado tiempo un ajuste de llama intenso cuando utilice una olla cuyo diámetro sea más grande que la rejilla o que ocupe el espacio de más de un quemador, como una bandeja. Esto puede generar una mala combustión y gases nocivos.
- La base de la olla es un factor importante para la estabilidad y uniformidad de la cocción. El asa no debe ser más pesada que la olla para que ésta no se incline. La olla debe ponerse al ras sobre la rejilla sin balancearse ni estar inestable.

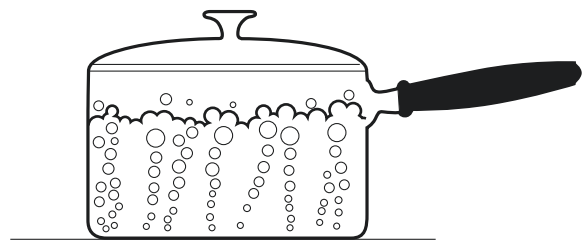


- No se deben colocar alimentos envueltos en papel de aluminio directamente sobre la rejilla del quemador. El papel de aluminio puede derretirse durante la cocción.

- No permita que artículos de plástico, papel o tela entren en contacto con la rejilla caliente de un quemador. Podrían derretirse o prender fuego.
- Recomendamos utilizar ollas de calidad profesional con asas de metal porque las asas de plástico pueden derretirse o bullir cuando la llama sube por el costado de la olla.
- Se pueden encontrar ollas de calidad profesional en tiendas de suministro para restaurantes y tiendas especiales. Todos los utensilios de cocina deben tener estas características: buena conductividad de calor, buen balance de peso, diámetro de la base de tamaño correcto, una base plana, pesada y una tapa que cierre bien.
- Para lograr mejores resultados, se debe mantener la llama bajo el fondo de la olla.
- El aluminio y el cobre son materiales de ollas que conducen el calor de un modo rápido y uniforme. Estos metales se encuentran a veces en la base de la olla o entre las capas de acero inoxidable.



- Una base plana y pesada es estable cuando se calienta. Bases de ollas deformadas, dentadas, estriadas o muy ligeras se calientan de un modo poco uniforme. Caliente y enfríe las ollas gradualmente para evitar cambios repentinos de temperatura, lo cual tiende a deformarlas. No ponga agua fría en una olla caliente.
- Una tapa bien ajustada al diámetro de la olla acorta el tiempo de cocción y permite cocinar a temperaturas más bajas.



## Utensilios especiales de cocina

### Wok

- Se pueden usar tanto woks de base plana como redonda con el anillo de soporte en todos los modelos. Para los woks de base redonda se debe usar un anillo de soporte. El wok y el anillo de soporte para wok de hierro fundido esmaltado de porcelana se venden por separado.

### Olla grande para caldos y olla a presión

- Seleccione una con un diámetro de base que no salga más de 2 pulgadas (51 mm) de la rejilla.

### Baño María de dimensiones estándares

- 21 a 22 cuartos de galón (19,95 a 20,9 litros), con una base de 11 a 12 pulg. (279 a 305 mm) y una altura de 9 a 11 pulg. (229 a 279 mm).

### Olla a presión de tamaño estándar

- 8 a 22 cuartos de galón (7,6 a 20,9 litros), con una base de 8 a 11 pulg. (203 a 279 mm) y una profundidad de 6,5 a 12 pulg. (165 – 305 mm).

### Consejos para usar ollas a presión

- Es preferible usar una base plana que una cóncava, convexa o estriada.
- Cuando use dos ollas a presión al mismo tiempo, use quemadores escalonados. No bloquee la circulación de aire alrededor de los quemadores. Una llama necesita el aire suficiente para que la combustión se haga bien.

- Use una tapa sobre las ollas a presión cuando lleve el contenido a ebullición.
- Una vez que el contenido haya hervido en la posición HI, use la llama más baja posible para mantener la ebullición o la presión.
- Las ollas a presión producen grandes cantidades de vapor. Tenga cuidado para evitar quemaduras.

## Sugerencias para utilizar los quemadores recomendaciones para la cocción

- Consulte la tabla de la página 81. Los ajustes de temperaturas varían dependiendo de las ollas seleccionadas y de la temperatura inicial de los alimentos.
- En la tabla se ha separado el "Ajuste final" para los quemadores estándares y los quemadores ExtraLow®. Según el caso, puede haber un cambio entre los ajustes de los dos tipos de quemadores.
- El ajuste ExtraLow de los quemadores STAR® puede servir para cocinar o para mantener alimentos calientes.
- Suba o baje el ajuste de la llama gradualmente. Dé tiempo para que la olla y el alimento se puedan ajustar al nuevo ajuste de calor.

## Recomendaciones de cocción con los quemadores de la estufa

Alimento	Ajuste inicial	Ajuste final – quemador estándar	Ajuste final – quemador XLO
Bebidas Cacao (Chocolate)	MED – calentar la leche, cubrir	LO – terminar de calentar	XLO – para mantener caliente, tapar*
Panes Pan Francés, crepas, sándwich a la plancha	MED – precalentar la sartén	LO a MED – cocinar	Igual que el quemador estándar
Mantequilla Derretir	LO – para empezar el derretimiento	XLO – Para mantener la temperatura*	Permitir que se derrita
Cereales Harina de maíz, sémola, avena	HI – tapar, hervir el agua, agregar los cereales	LO a MED – terminar la cocción según las indicaciones en el embalaje	XLO – mantener, tapar*
Chocolate Derretir	XLO – se puede revolver para acelerar el proceso	Usar XLO	XLO – permitir que se derrita XLO – mantener*
Postres Caramelos	LO a MED – cocinar según la receta	MED LO a MED	Igual que el quemador estándar
Pudín y relleno para tartas	LO a MED LO – cocinar según las indicaciones	LO a MED	Igual que el quemador estándar
Pudín	LO a MED LO – hervir la leche	LO	Igual que el quemador estándar
Huevos Cocidos con la cáscara	MED HI – tapar, hervir el agua, agregar huevos, tapar		
Fritos, revueltos	LO a MED – derretir mant., agr. huevos	LO – terminar la cocción	Igual que el quemador estándar
Escalfados	HI – hervir agua, agregar huevos	MED a MED – terminar la cocción	Igual que el quemador estándar
Carne, pescado, ave tocino, salchichas	MED HI – hasta que la carne empieza a chisporrotear	MED a MED – terminar la cocción	Igual que el quemador estándar
En su jugo: filete suizo, estofado, guisar carne	MED HI – derretir grasa, dorar en MED HI, agr. líquido, tapar		XLO – Dejar a fuego lento hasta que la carne está tierna
Fritura rápida: filetes de desayuno	MED HI – precalentar sartén	MED a MED HI – freír rápidamente en la sartén	Igual que el quemador estándar
Fritura: pollo	MED HI – calentar aceite, dorar en MED	SIM – cubrir, terminar la cocción	Igual que el quemador estándar
Fritura con aceite abundante: camarones	MED HI – calentar aceite	MED a MED HI – mantener la temperatura	Igual que el quemador estándar
Fritura: chuletas de cordero, filetes delg., hamburguesas., salchichas enteras	MED HI – precalentar sartén	MED– dorar la carne	Igual que el quemador estándar

\*Se recomienda revolver los alimentos de vez en cuando.

Alimento	Ajuste inicial	Ajuste final – quemador estándar	Ajuste final – quemador XLO
Escalfado: pollo, entero o piezas, pescado	MED HI – tapar, hervir los líquidos		Para terminar de cocinar
Hervido a fuego lento: Pollo estofado, carne curada, lengua, etc.	HI – tapar, hervir los líquidos		Dejar a fuego lento
Pasta Macarrones, fideos, espaguetis	HI – hervir el agua, agregar la pasta	MED a HI – para q siga hirviendo	Igual que el quemador estándar
Olla de presión Carne	MED HI a HI – aumentar presión	LO a MED – mantener presión	Igual que el quemador estándar
Verduras	HI – aumentar presión	MED LO a MED – mantener presión	Igual que el quemador estándar
Arroz	HI – cubrir, calentar el agua y el arroz hasta que hierva	mantener hirviendo a SIM, cubrir hasta que se evapore el agua.	Cocinar según las indicaciones del embalaje XLO – mantener, tapar
Salsas A base de tomate	MED HI – cocinar carne / verduras, seguir la receta	LO para cocinar a fuego lento	XLO – fuego lento para espesar la salsa, destapado
Blanca, crema, bernesa	MED– derretir la grasa, seguir la receta	LO a MED LO – terminar la cocción	XLO –mantener, tapar*
Holandesa	XLO		XLO – mantener el ajuste de calor más bajo por un período corto, revolver frecuentemente
Sopas, caldos	HI – tapar, hervir el líquido	LO para cocinar a fuego lento	Fuego lento XLO – mantener, tapar*
Verduras Frescas	HI – tapar, hervir el agua y las verduras	LO a MED – cocinar hasta quedar suave	XLO – mantener, tapar
Congeladas	HI – tapar, hervir el agua y las verduras	LO a MED – cocinar según las indicaciones del embalaje	Igual que el quemador estándar
Fritura en aceite abundante	HI – calentar aceite	MED a MED HI – mantener temperatura de fritura	Igual que el quemador estándar
Salteadas	MED HI – calentar aceite o derretir mantequilla y agregar verduras	LO a MED – cocinar al término deseado	Igual que el quemador estándar
Sofritas	HI – calentar aceite, agregar verduras	HI – terminar la cocción	Igual que el quemador estándar

\*Se recomienda revolver los alimentos de vez en cuando.

# Plancha eléctrica

## Descripción

### ⚠ PRECAUCIÓN

La plancha está caliente después de cada utilización. Déjela enfriar completamente antes de limpiarla.

### ⚠ ADVERTENCIA

Para evitar lesionarse, no utilice nunca la plancha si la bandeja o la parrilla no están instaladas. No utilice la plancha de una forma distinta de lo que está indicado en el manual de uso y cuidado.

**NOTA:** Solo en algunos modelos.

La plancha empotrada está hecha de aluminio de calidad profesional con un acabado antiadherente. Esto crea una superficie fácil de limpiar que conduce el calor uniformemente.

Los anchos de la plancha varían.

Se venden por separado como accesorios: una tabla de cortar de arce, una cubierta de acero inoxidable y una bandeja con revestimiento de aluminio. La tabla de cortar de arce y la cubierta en acero inoxidable están diseñadas para encajar sobre la superficie de la plancha cuando no se utiliza la plancha. La bandeja con revestimiento de aluminio está diseñada para reemplazar a la plancha. Para obtener más detalles, vea las instrucciones de los accesorios de la plancha.

Antes de encender la plancha se deben quitar la tabla de cortar de arce y la cubierta de acero inoxidable.

La bandeja de la plancha (o el accesorio de la parrilla) siempre debe estar instalada cuando se usa la plancha.

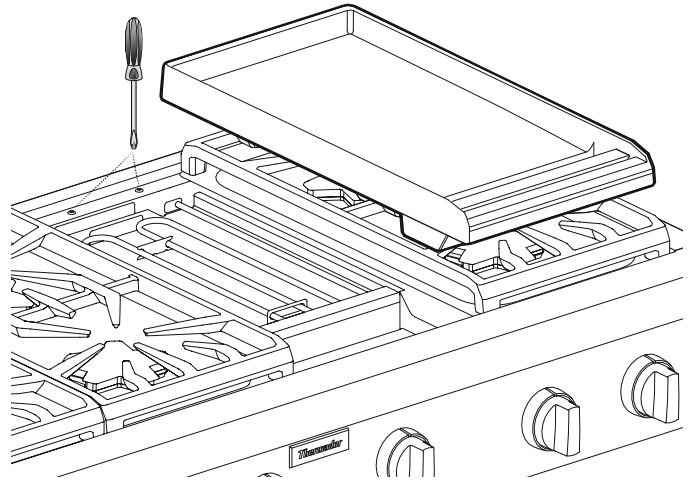
La plancha se ajusta electrónicamente a las temperaturas indicadas en las perillas, de 150°F a 500°F (66°C a 260°C).

Los modelos de 24" tienen dos elementos de calefacción que se pueden regular en forma separada. Esto le permite cocinar simultáneamente la comida con diferentes requisitos de temperatura.

## Preparación de la plancha

1. Antes de usarla, se debe lavar la bandeja de la plancha con agua caliente jabonosa y luego enjuagarla con agua limpia.

2. Si la estufa está equipada con una plancha eléctrica, compruebe el ajuste de la tabla de la plancha echando dos cucharadas de agua en la parte trasera de la plancha.
  - El agua debería correr lentamente hasta la bandeja de grasa.
3. Quite la plancha.
4. Si no es el caso, ajuste los dos tornillos que están debajo de la tabla. Empiece girando los tornillos de una media vuelta en el sentido contrario a las agujas del reloj.



5. Los ajustes siguientes se deben hacer por cuarto de giro hasta que el agua corra lentamente hacia la bandeja para grasa.

Se puede usar la plancha sin mantequilla, margarina o aceite, o se puede echar una cantidad pequeña para dar sabor a los alimentos.

**NO** utilice utensilios metálicos en la plancha. Tenga cuidado de no dañar la superficie. No corte alimentos directamente sobre la plancha.

**AVISO:** El rendimiento de la plancha / estufa puede variar si el flujo de aire alrededor del aparato es demasiado elevado. El flujo de aire excesivo podría provenir de un registro de aire acondicionado o de un ventilador de techo que sopla hacia el aparato. Esto podría prolongar el tiempo de calentamiento o provocar temperaturas en la plancha/ estufa que no corresponden con el ajuste indicado por los botones.

**NOTA:** Una campana adecuadamente instalada no se considera como una fuente de flujo de aire excesiva.

## Recomendaciones para usar la 12" plancha

Alimento	Ajuste
Huevos	325° – 350°F
Tocino, salchichas de desayuno	450° – 475°F
Sándwich tostado	375° – 400°F
Pechuga pollo sin hueso	425° – 450°F
Chuletas de 1 pulg. (25,4 mm)	425° – 450°F
Filete de 1 pulg. (25,4 mm)	450° – 475°F
Carne molida (hamburguesas 6 onzas)	450° – 475°F
Albóndigas de carne de pavo picada, 6 onzas	450° – 475°F
Perritos calientes	350° – 375°F
Lonchas de jamón de 1/2 pulg. (12,7 mm)	350° – 375°F
Crepes, Pan Francés	400° – 425°F
Papas; papas doradas	400° – 425°F

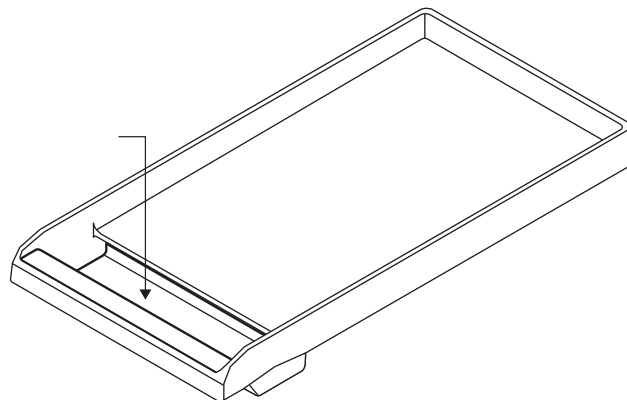
\* Para obtener una cocción uniforme, asegúrese de que los alimentos sean más o menos igual de gruesos por todas partes.

## Recomendaciones para usar la 24" plancha

Alimento	Ajuste
Huevos	275° – 300°F
Tocino, salchichas de desayuno	400° – 450°F
Sándwich tostado	350° – 375°F
Pechuga pollo sin hueso	400° – 425°F
Chuletas de 1 pulg. (25,4 mm)	400° – 425°F
Filete de 1 pulg. (25,4 mm)	425° – 450°F
Carne molida (hamburguesas 6 onzas)	400° – 425°F
Albóndigas de carne de pavo picada, 6 onzas	400° – 425°F
Perritos calientes	300° – 350°F
Lonchas de jamón de 1/2 pulg. (12,7 mm)	350° – 375°F
Crepes, Pan Francés	350° – 375°F
Papas; papas doradas	400° – 425°F

\* Para obtener una cocción uniforme, asegúrese de que los alimentos sean más o menos igual de gruesos por todas partes.

## Bandeja de grasa de la plancha



- Limpie la bandeja después de cada uso. Al quitar la bandeja, tenga cuidado para que no se derrame el contenido.
- La placa y la bandeja de grasa de la plancha se pueden lavar en el lavavajillas.
- Cuando se ha enfriado, ponga la grasa en un recipiente resistente a la grasa antes de tirarlo.

## Cocinar en la plancha

1. Oprima y gire la perilla en el sentido de las agujas del reloj para obtener la temperatura deseada.
2. Gire la perilla a la temperatura de cocción apropiada para precalentar la plancha.
3. Precaliéntela hasta que la luz de la plancha se apague.
4. Añada mantequilla, margarina, aceite o grasa vegetal si lo desea.

Utilice el ajuste de temperatura más bajo. Es posible que tenga que modificar las recetas ya que el revestimiento antiadherente dora y chamusca los alimentos a bajas temperaturas.

## Recomendaciones de limpieza

- No vierta NUNCA agua fría sobre una plancha caliente. Podría deformarse o agrietarse.
- NO calentar los utensilios de cocina en la superficie de la plancha.
- NO limpie ninguna parte de la parrilla o la plancha en un horno con autolimpieza.

- Tenga cuidado de no dañar la superficie.
  - No corte alimentos directamente sobre la plancha.
  - No utilice utensilios de metal.
  - Utilice utensilios de plástico o madera para evitar rayar la superficie antiadherente.
- Se puede lavar la plancha en el lavaplatos. Sin embargo, recomendamos lavarla a mano.

## Instrucciones de engrasado de la placa de la plancha

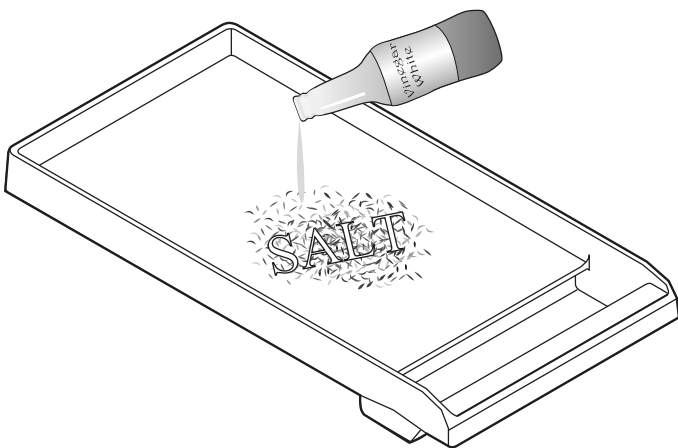
Si la placa de la plancha parece perder sus propiedades antiadherentes con el paso del tiempo, las instrucciones siguientes deberían devolverle dichas propiedades. Para asegurar el rendimiento óptimo de la placa de su plancha y alargar su vida útil, siga estas sencillas instrucciones de limpieza y engrasado.

**NOTA:** Las parrillas de 24" no caben en la cavidad del horno para añadir condimentos. Por lo tanto, se debe tener cuidado de no sobrecalentar ni dañar sus recubrimientos antiadherentes mientras se precalienta y cocina.

### Preparación de la plancha para el engrasado

Se debe limpiar la placa de la plancha y quitar todos los residuos antes de proceder al engrasado de la plancha.

1. Utilice una mezcla de sal gorda y de vinagre blanco para quitar todos los residuos de la placa de la plancha.

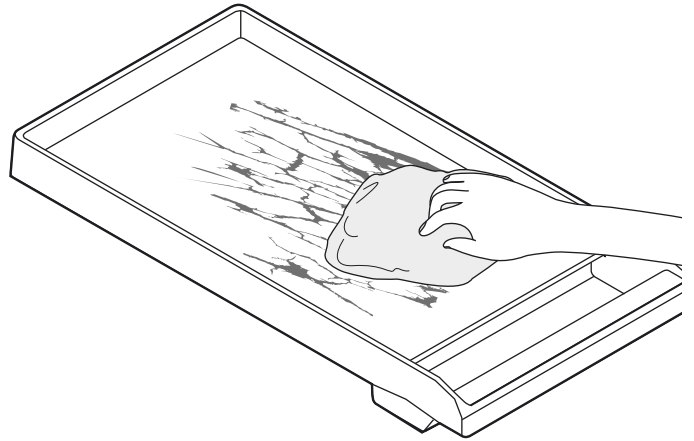


2. Enjuague bien con agua clara.
3. Seque la plancha.

## Engrasado de la plancha

El engrasado es un proceso en el que se aplica y cuece una capa de grasa animal o de aceite vegetal en un instrumento de cocción. La capa de grasa proporciona una superficie antiadherente para cocinar.

1. Utilice una servilleta de papel para aplicar una capa fina y uniforme de manteca, Crisco® o aceite de oliva sobre la superficie de la plancha.



2. Cueza la placa de la plancha en el horno a 350°F durante una hora.
3. Saque la placa de la plancha del horno y déjela enfriar a temperatura ambiente.
4. Aplique una segunda capa de grasa o aceite y cuézala de nuevo a 350°F durante una hora.
5. Repita el proceso por lo menos otra vez hasta un total de tres capas de grasa o aceite.

### Después del engrasado

1. Después de cocer su plancha engrasada, déjela enfriar y límpiela con un trapo húmedo. Déjela secar.
2. Añada una capa fina de aceite o grasa antes de almacenarla en un lugar fresco y seco.
3. El hecho de repetir este proceso engrasará la plancha y le ayudará a conservar sus propiedades antiadherentes. El rendimiento mejorará con más engrasados a lo largo del tiempo.
4. Para quitar las capas de aceite de la plancha antes de volver a engrasarla, utilice una mezcla de sal y vinagre.

# Parrilla eléctrica

## Descripción

### ⚠ ADVERTENCIA

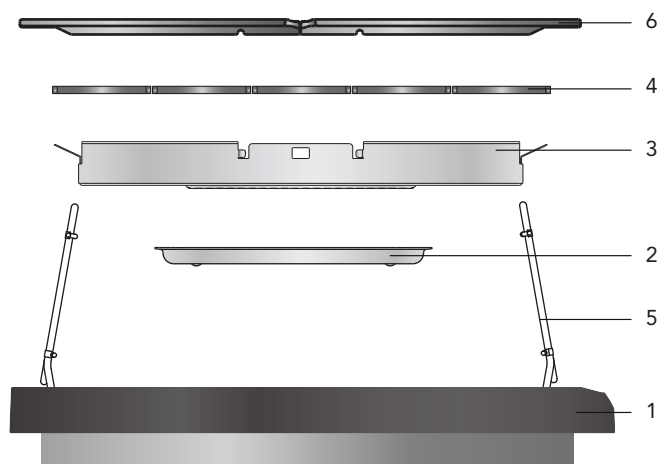
- Para evitar todo riesgo de lesión, **NUNCA** use la parrilla si no hay rejillas o una plancha.
- **NUNCA** deje la parrilla sin atención mientras cocine.
- Tenga cuidado con el aceite y la grasa. Los aceites y grasas sobrecalentados pueden provocar incendios.
- **NO** utilice virutas, piedras de lava, o briquetas de carbón. Utilice sólo las briquetas de cerámica (PABRICKBKN) recomendadas.
- **NO** utilice platos, cacerolas, sartenes u otros utensilios sobre la parrilla.
- Nunca utilice papel de aluminio para forrar las rejillas o la parrilla. Esto puede dañar la parrilla y provocar un riesgo de incendio si el calor queda atrapado debajo.
- Compruebe las bandejas de grasa antes de cada utilización. La acumulación de mucha grasa puede presentar un riesgo de incendio.
- Si se producen llamas, limpie la grasa acumulada sobre las rejillas, la bandeja de grasa, la cesta de briquetas de cerámica y las otras superficies.
- Las acumulaciones de grasa favorecen la formación de llamas y de humo durante la cocción.
- Se deben sustituir las briquetas de cerámica cuando estén negras, lo que significa que están saturadas de grasa y pueden producir mucho humo o incluso prenderse.

**NOTA:** Solo en algunos modelos.

Las rejas de la parrilla empotrable están hechas de hierro colado de calidad profesional. Este material da a las rejillas una superficie que reparte uniformemente el calor y que es fácil de limpiar.

Se puede instalar una plancha de hierro colado antiadherente, vendida por separado. Consulte las instrucciones del accesorio de la plancha para saber más detalles.

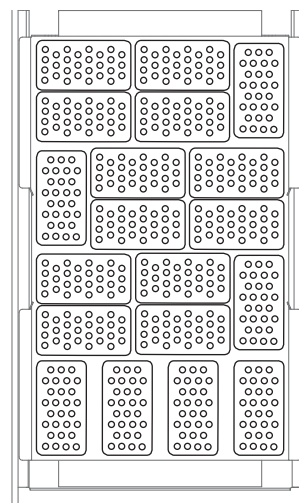
## Ensamblaje de la parrilla



1. Caja de la parrilla
2. Bandeja para la grasa de la parrilla
3. Cesta de briquetas de cerámica
4. Briquetas de cerámica
5. Resistencias (x2)
6. Rejillas de la parrilla (x2)

### Para montar la parrilla

1. Rote las resistencias (5) y quite la cesta de briquetas de cerámica situada dentro de la caja de la parrilla (1).
2. Instale la bandeja para grasa (2) debajo de la caja de la parrilla (1). (La bandeja de grasa está empaquetada en la caja de cartón grande de la estufa.) Alinee los salientes de la bandeja de grasa (2) con los huecos situado debajo de la caja (1).
3. Ponga la cesta de briquetas de cerámica (3) en la caja de la parrilla (1).
4. Coloque las briquetas de cerámica (4) en la cesta de briquetas (3), en una sola capa, para que cada una toque las briquetas adyacentes. Las briquetas de cerámica no deben estar en contacto con los elementos térmicos.



- Empuje hacia abajo las dos resistencias de la parrilla (5). Las resistencias deben estar niveladas. Los soportes deben descansar dentro de los pestillos laterales.
- Instale las rejillas de la parrilla (6). Asegúrese de que las rejillas estén instaladas a nivel con la caja de la parrilla (1).

## Funcionamiento de la parrilla

### IMPORTANTE:

- Si aparecen llamas mientras cocina con la parrilla, apague el aparato y quite los alimentos. Tenga cuidado de no lesionarse cuando quite los alimentos.
- A menudo, las llamas se apagan por sí solas al cabo de unos minutos, una vez se han quemado las acumulaciones de grasa. No deje la parrilla sin supervisión antes de que se hayan apagado las llamas. Se pueden sofocar las llamas espolvoreándolas con una generosa capa de bicarbonato de sodio o sal.
- Si aparecen llamas, sustituya las briquetas de cerámica y limpie las acumulaciones de grasa sobre las rejillas, la bandeja de grasa, la cesta de briquetas de cerámica y las otras superficies antes de volver a utilizar la parrilla. Las acumulaciones de grasa sin limpiar favorecen la formación de llamas y humo durante la cocción.
- Seque los alimentos húmedos antes de colocarlos sobre la parrilla.
- Cuanto más húmedo es un alimento, más humo es susceptible de producir.
- Durante la utilización de la parrilla, las acumulaciones de grasa pueden arder brevemente.

---

### ▲ ADVERTENCIA

#### PARA EVITAR RIESGOS DE QUEMADURAS:

- Utilice utensilios apropiados con mangos largos que le permitan manejar los alimentos evitando el calor y las posibles llamas.
  - NO lleve ropa suelta cuando cocine.
  - Nunca deje la parrilla sin supervisión cuando cocine.
  - Después de cada utilización, quite las acumulaciones de grasa de las superficies de la parrilla y de las bandejas de grasa para evitar riesgo de incendio. Debería limpiar periódicamente la campana y las superficies alrededor de la parrilla según las recomendaciones del manual de uso.
  - Tenga un extintor cerca y fácilmente accesible.
- 

## Funcionamiento de la parrilla

- Antes de encender el aparato, asegúrese de que haya briquetas de cerámica en el aparato y que las dos rejillas de la parrilla estén instaladas correctamente.
- Pulse la perilla de ajuste de temperatura y gírela.
  - Las dos resistencias de la parrilla se pueden ajustar por separado, lo que le permite preparar alimentos a dos temperaturas distintas a la vez. También, puede usar una parte para preparar alimentos y la otra parte para mantenerlos calientes.
- Durante el primer uso, caliente la parrilla durante unos diez minutos para eliminar los residuos y olores de fabricación.
- Para obtener mejores resultados, deje que las rejillas se calienten antes de cocinar alimentos.

---

### ▲ PRECAUCIÓN

---

Limpie la parrilla después de cada uso. Deje tiempo suficiente para que el aparato pueda enfriarse antes de limpiarlo.

---

### Consejos para cocinar a la parrilla

- Siempre precaliente la parrilla. Para cocinar a potencia máxima, precaliente la parrilla a HIGH durante diez minutos. Para cocinar a potencia media, precaliente la parrilla a HIGH durante cinco minutos, luego reduzca la temperatura cuando los alimentos estén sobre la parrilla.
- Remoje los palos de las brochetas en agua durante 20 minutos o más antes de ponerlos sobre la parrilla.
- Antes de cocinar alimentos a la parrilla, los puede untar con aceite resistente al calor (como aceite de cacahuètes) o adobarlos. Tenga cuidado de no usar demasiado aceite o adobo; los alimentos podrían prenderse o generar mucho humo.
- Ponga los alimentos directamente sobre las rejillas de la parrilla. NO use papel de aluminio o bandejas.
- La carne curada, como el jamón o las chuletas de cerdo ahumadas, no está hecha para ser cocida a la parrilla y puede generar la formación de compuestos químicos poco saludables.
- Para evitar que los alimentos se prendan, quite el exceso de grasa antes de cocinarlos.
- NO utilice productos de limpieza sobre las resistencias. Si hay grasa sobre las resistencias, deje el fogón encendido para que se queme.
- Para absorber la grasa de las rejillas de la parrilla, eche sal gorda después de cada uso.

## Recomendaciones para cocinar con la parrilla

### IMPORTANTE:

- **NO SE DEBERÍA USAR LA PARRILLA SIN UNA VENTILACIÓN ADECUADA.**
- No deberían prepararse alimentos muy grasientos sobre una parrilla interior. La cocción de alimentos grasientos (como algunas variedades de carne picada o de salchichas, etc.) aumenta las posibilidades de formación de humo y llamas.

Alimento*	Ajuste**	Minutos	Notas
<b>Buey</b>			
Hamburguesas, ¾" (2 cm) (al punto)	Alto	12 – 14	Dar la vuelta cuando el jugo aparece en la superficie.
Solomillo, 1½" (4 cm) (al punto)	Alto	20 – 22	Quitar el exceso de grasa.
Solomillo bajo o lomo, 1" (3 cm) (al punto)	Alto	10 – 12	Quitar el exceso de grasa.
Brochetas de bistec (al punto)	Alto	24 – 28	Dar la vuelta de vez en cuando.
<b>Cerdo</b>			
Chuletas de cerdo, ¾" (2 cm)	Alto	16 – 20	Quitar el exceso de grasa.
Salchichas o Bratwurst	Medio alto	16 – 20	Perforar antes de cocinar.
Perritos calientes	Alto	6 – 8	Colocar horizontalmente sobre la parrilla.
<b>Aves de corral</b>			
Muslos	Medio alto	34 – 38	Dar la vuelta de vez en cuando, quitar la piel que sobra.
Alas de pollo, enteras	Medio alto	18 – 22	Dar la vuelta de vez en cuando.
Pechugas de pollo sin hueso, ½" (1 cm)	Medio alto	20 – 24	Cortar en filetes del mismo tamaño.
Brochetas, pollo	Alto	30 – 33	Dar la vuelta de vez en cuando.
<b>Marisco</b>			
Rodajas de pescado, 2" (6 cm)	Medio alto	18 – 20	Untar con aceite antes de cocinar.
Filete de pescado, ¾" (2 cm)	Medio alto	16 – 20	Untar con aceite antes de cocinar.
Brochetas de gambas	Medio alto	10 – 14	Dar la vuelta de vez en cuando.
<b>Fruta y verdura fresca</b>			
Champiñones portobello	Alto	8 – 10	Untar con aceite antes.
Pimientos, cuartos	Alto	8 – 10	Dar la vuelta de vez en cuando
Berenjenas, rodajas, ½" (1 cm)	Alto	8 – 10	Untar con un poco de aceite
Tomates, mitades	Alto	8 – 10	Untar con aceite
Piña, rodajas	Alto	4 – 6	—
Melocotones, mitades	Alto	4 – 6	—
<b>Otro</b>			
Panecillos de perrito caliente o hamburguesa	Medio alto	4 – 6	Untar con mantequilla.
Tofu, extra firme, rebanado	Medio alto	8 – 12	Para un cocción fácil, hacer brochetas.

\* Para una cocción uniforme, distribuya los alimentos sobre la superficie.

\*\* Los ajustes utilizados en la tabla deberían considerarse como referencia, ya que la cantidad de calor necesario puede variar según el tipo y las condiciones de los alimentos.

# Cuidado y mantenimiento

## Recomendaciones de limpieza

Parte / material	Notas acerca de la limpieza
Base de quemador de latón y tapa de hierro fundido	<ul style="list-style-type: none"><li>• Cepillo dental de cerdas de nylon duras para limpiar los orificios.</li><li>• Después de limpiar, comprobar que la tapa de quemador queda bien colocada sobre la base de quemador.</li><li>• Limpiadores sugeridos; enjuagar y secar bien<ul style="list-style-type: none"><li>-- Agua caliente y detergente</li><li>-- Bon-ami®</li><li>-- Barkeepers Friend®</li><li>-- Wright's® All Purpose Brass Polish</li><li>-- Kleen King®</li></ul></li></ul>
Perillas de control y engastes / metal, cromado	<ul style="list-style-type: none"><li>• NO sumergir las perillas.</li><li>• NO colocar las perillas en el eje de válvula erróneo.</li><li>• Limpiadores sugeridos; enjuagar y secar bien<ul style="list-style-type: none"><li>-- Utilice un hisopo de algodón humedecido con agua</li></ul></li></ul>
Briquetas de cerámica, cesta de briquetas de cerámica, y bandeja para la grasa de la parrilla	<ul style="list-style-type: none"><li>• Sugerencia de limpieza para las briquetas de cerámica;<ol style="list-style-type: none"><li>1) Coloque cuidadosamente las briquetas de cerámica saturadas de grasa en un recipiente grande de seis litros o más.</li><li>2) Rellene el recipiente con agua limpia para que las briquetas estén cubiertas por al menos media pulgada de agua.</li><li>3) Lleve el agua a ebullición y déjela hervir durante 10 minutos.</li><li>4) Apague el fuego y deje que el agua se enfríe hasta una temperatura segura.</li><li>5) Tire el agua y seque las briquetas con un trapo viejo o servilletas de papel.</li><li>6) Deje que las briquetas se sequen al aire ambiente durante un mínimo de dos horas. Es posible que las briquetas tengan manchas de grasa permanentes después de la limpieza.</li><li>7) Vuelva a colocar las briquetas limpias y secas en la parrilla antes de volver a utilizarla.</li></ol></li><li>• Puede comprar nuevas briquetas de cerámica en la tienda electrónica de Thermador (número de pieza: PABRICKBKN). Consulte el dorso para obtener más información sobre el soporte técnico.</li></ul> <p><b>⚠ PRECAUCIÓN</b></p> <ul style="list-style-type: none"><li>-- Se deben sustituir las briquetas de cerámica cuando estén negras, lo que significa que están saturadas de grasa y pueden producir mucho humo o incluso prenderse.</li></ul> <ul style="list-style-type: none"><li>• Detergentes recomendados para la cesta y la bandeja de grasa; enjuagar y secar bien:<ul style="list-style-type: none"><li>-- Agua caliente y detergente</li><li>-- Bar Keeper's Friend®</li><li>-- Póngala en el lavavajillas</li></ul></li></ul>

Parte / material	Notas acerca de la limpieza
Acabado exterior / acero inoxidable	<ul style="list-style-type: none"> <li>• El acero inoxidable es resistente a la mayoría de manchas y marcas de comida, siempre que se mantenga la superficie limpia y protegida.</li> <li>• Frótelo ligeramente en la dirección de las líneas de pulido.</li> <li>• El cloro y los compuestos clorados de algunos limpiadores son corrosivos para el acero inoxidable. Compruebe los ingredientes en la etiqueta.</li> <li>• Limpiadores sugeridos; enjuagar y secar bien: <ul style="list-style-type: none"> <li>-- Agua caliente y detergente</li> <li>-- Fantastik®</li> <li>-- Siege® Stainless Steel and Aluminum Cleaner</li> <li>-- Kleen King® Stainless Steel Liquid Cleaner</li> <li>-- Lustrador: Stainless Steel Magic® para proteger el acabado contra las manchas y marcas; mejora el aspecto.</li> <li>-- THERMADOR Stainless Steel Conditioner (0057669)</li> <li>-- Manchas de agua difíciles: vinagre doméstico.</li> </ul> </li> <li>• Decoloración por calor; enjuagar y secar bien: <ul style="list-style-type: none"> <li>-- Cameo®</li> <li>-- Barkeepers Friend®</li> <li>-- Zud®</li> <li>-- Wright's® All Purpose Brass Polish</li> </ul> </li> </ul>
Rejillas / esmalte de porcelana en hierro fundido	<ul style="list-style-type: none"> <li>• Las parrillas son pesadas; lavátelas con cuidado. Colóquelas sobre una superficie protegida.</li> <li>• A veces, la textura áspera de las rejillas puede arrancar virutas de aluminio de la parte inferior de las sartenes y rellenar los espacios entre las ranuras elevadas de la superficie de las rejillas. Ponga especial atención cuando cocine con sartenes y ollas de latón y de aluminio, ya que esos tipos de utensilios suelen dejar depósitos de metal sobre las rejillas.</li> <li>• Las ampollas, grietas y descascarados son comunes debido a las temperaturas extremas en las garras de la parrilla y los súbitos cambios de temperatura.</li> <li>• Los productos muy ácidos o con mucha azúcar derramados deterioran el esmalte. Elimine los restos inmediatamente.</li> <li>• Los limpiadores abrasivos pueden deteriorar el esmalte si se utilizan con demasiada frecuencia o vigor.</li> <li>• Limpiadores sugeridos; enjuagar y secar bien: <ul style="list-style-type: none"> <li>-- Agua caliente y detergente</li> <li>-- Bar Keeper's Friend®</li> <li>-- Fantastik®</li> <li>-- Bon-ami®</li> </ul> </li> <li>• Manchas difíciles; enjuagar y secar bien: <ul style="list-style-type: none"> <li>-- Estropajo de lana de acero enjabonado</li> <li>-- Lestoil®</li> <li>-- Otro desengrasante</li> </ul> </li> <li>• Depósitos de metal: <ul style="list-style-type: none"> <li>-- Estropajo de restregar Scotch Brite®</li> <li>-- Estropajo de acero</li> </ul> </li> </ul>

Parte / material	Notas acerca de la limpieza
Plancha / aluminio con revestimiento antiadherente	<ul style="list-style-type: none"> <li>• No vierta NUNCA agua fría sobre una plancha caliente. Podría deformarse o agrietarse.</li> <li>• NO limpie ninguna parte de la parrilla o la plancha en un horno con autolimpieza.</li> <li>• Limpie la superficie de la plancha con agua caliente jabonosa y enjuáguela con agua caliente. Séquela con un paño suave.</li> <li>• Si se adhieren partículas de comida en la placa de la plancha, elimínelas con un limpiador abrasivo suave como Barkeepers Friend®.</li> <li>• Limpiadores sugeridos; enjuagar y secar bien: <ul style="list-style-type: none"> <li>-- Utilice un hisopo de algodón humedecido con agua</li> <li>-- Póngala en el lavavajillas</li> <li>-- Barkeepers Friend®</li> </ul> </li> </ul>
Bandeja de grasa de la plancha	<ul style="list-style-type: none"> <li>• Extraiga la bandeja cuando se haya enfriado la grasa. Procure que no se llene tanto que al ladearla para extraerla se vierta la grasa.</li> <li>• Limpie la bandeja para grasa después de cada uso.</li> <li>• Limpiadores sugeridos; enjuagar y secar bien: <ul style="list-style-type: none"> <li>-- Utilice un hisopo de algodón humedecido con agua</li> <li>-- Póngala en el lavavajillas</li> <li>-- Barkeepers Friend®</li> </ul> </li> </ul>
Rejillas de la parrilla / esmalte de porcelana en hierro fundido	<ul style="list-style-type: none"> <li>• Limpie las rejillas después de cada uso.</li> <li>• Coloque la rejilla de la parrilla en el fregadero y eche agua hirviendo sobre la rejilla. Coloque un trapo de cocina sobre ella y eche más agua sobre el trapo. Deje que los residuos se remojen. Rasque todos los residuos con un estropajo jabonoso.</li> <li>• Manchas difíciles; Barkeepers Friend®.</li> <li>• Limpiadores sugeridos; enjuagar y secar bien: <ul style="list-style-type: none"> <li>-- Utilice un hisopo de algodón humedecido con agua</li> <li>-- Póngala en el lavavajillas</li> <li>-- Barkeepers Friend®</li> <li>-- Cepillo con hilos de latón suaves para las manchas tenaces. Los cepillos de alambres rígidos pueden arañar el revestimiento de porcelana de las rejillas y provocar que se oxiden antes de tiempo.</li> </ul> </li> <li>• Manchas difíciles; enjuagar y secar bien: <ul style="list-style-type: none"> <li>-- Estropajo de lana de acero enjabonado</li> <li>-- Lestoil®</li> <li>-- Otro desengrasante</li> </ul> </li> </ul>
Generadores de chispas / cerámica	<ul style="list-style-type: none"> <li>• NO utilice utensilios afilados para raspar los generadores de chispas. Son frágiles. Si se daña un generador de chispas, no podrá encender el quemador STAR®.</li> <li>• Limpiadores sugeridos: <ul style="list-style-type: none"> <li>-- Utilice un hisopo de algodón humedecido con agua</li> <li>-- Fantastik®</li> </ul> </li> </ul>
Bandejas de protección de la superficie / esmalte de porcelana	<ul style="list-style-type: none"> <li>• Si se usan limpiadores como Bar Keeper's Friend® o Bon-ami® frote suavemente, ya que estos limpiadores pueden rayar el acabado.</li> <li>• Para comidas quemadas, pueden usarse estropajos enjabonados o de lana de acero. Hay que tener cuidado, ya que pueden rayar el acabado.</li> <li>• Limpiadores sugeridos; enjuagar y secar bien: <ul style="list-style-type: none"> <li>-- Agua caliente y detergente</li> <li>-- Bar Keeper's Friend®</li> <li>-- Bon-ami®</li> </ul> </li> <li>• Manchas difíciles; enjuagar y secar bien: <ul style="list-style-type: none"> <li>-- Estropajo de lana de acero enjabonado</li> </ul> </li> </ul>

# Antes de solicitar servicio

## Resolución de problemas

Síntoma	Causa Posible	Remedio
Chispas intermitentes	<ul style="list-style-type: none"><li>Encendedor sucio o húmedo.</li><li>Puertos del quemador tapados.</li></ul>	<ul style="list-style-type: none"><li>Secar o limpiar bien el encendedor.</li><li>Limpiar puertos de la tapa del quemador con un alambre, una aguja o un clip enderezado.</li></ul>
Más de cuatro chasquidos del encendedor antes de prender	<ul style="list-style-type: none"><li>La tapa del quemador no cabe en la base del quemador.</li></ul>	<ul style="list-style-type: none"><li>Alinear la tapa del quemador sobre la base del quemador.</li></ul>
Chispas constantes	<ul style="list-style-type: none"><li>La toma de tierra de la estufa está mal hecha.</li><li>Alimentación eléctrica está mal polarizada.</li></ul>	<ul style="list-style-type: none"><li>Consultar instrucciones de instalación. Contratar a un eléctrico cualificado para realizar la toma de tierra.</li></ul>
Los encendedores producen chispas, pero no se encienden las llamas.	<ul style="list-style-type: none"><li>La válvula del suministro de gas está en la posición "OFF".</li></ul>	<ul style="list-style-type: none"><li>Abra la válvula de suministro de gas del aparato.</li></ul>
Las luces y los quemadores no se encienden	<ul style="list-style-type: none"><li>No hay alimentación eléctrica.</li></ul>	<ul style="list-style-type: none"><li>Asegúrese de que el automático esté en la posición adecuada.</li><li>Asegúrese de que el voltaje de la línea de alimentación eléctrica sea el adecuado.</li></ul>
Los alimentos no cuecen lo suficiente en la hornilla.	<ul style="list-style-type: none"><li>El plato utilizado no es adecuado.</li><li>El aparato no está nivelado.</li></ul>	<ul style="list-style-type: none"><li>Consulte la sección "Recomendaciones para los utensilios de cocina" en el Manual de uso y cuidado.</li><li>Consulte el Manual de instalación para obtener instrucciones de nivelación del aparato.</li></ul>

### Lista de verificación

Antes de solicitar servicio, compruebe lo siguiente para evitar cargos innecesarios de servicio.

#### **MDyBYDNDI DlhUp cYUnRYk Yp DYUIDMUMt maAUMI**

- ¿Hay un apagón en el área?
- ¿Se quemó un fusible en la casa o se activó el disyuntor?
- ¿Está conectada la placa de cocción a la alimentación eléctrica?

### Quando no se prenden los quemadores

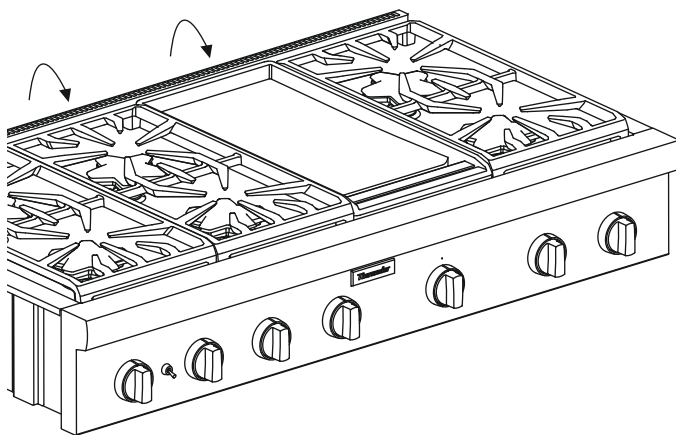
- ¿Las tapas de los quemadores están bien alineados y asentados en sus bases?
- ¿Están tapados los puertos de los quemadores?
- ¿Se quemó un fusible en la casa o se activó el disyuntor?
- ¿Está cerrada la válvula de cierre del gas, impidiendo el suministro de gas?

# Información para el servicio técnico

## Placa de señalización

La placa de señalización, que indica el número de modelo y el número de serie de su placa de cocción, se encuentra en la parte inferior del armazón, cerca de la parte delantera de la placa de cocción. Se requiere esta información si el cliente solicita servicio.

Antes de la instalación, el modelo y los números de serie deben ser escritos en los espacios apropiados en la sección "Información del producto" cerca de la parte trasera del Manual de Uso y Cuidado. Una vez instalada, es difícil acceder a la información.



## Información del producto

Para una consulta útil, anote aquí abajo la información de la placa de señalización. Conserve su factura para que su garantía sea válida.

Número de modelo \_\_\_\_\_

Número de serie \_\_\_\_\_

Fecha de compra \_\_\_\_\_


# Registro de productos

Registre su producto para asegurarse de recibir un servicio oportuno y de tener acceso a la información relativa a su producto.

## Puede registrar su producto de las siguientes formas:

- Regístrese con su teléfono (solo EE. UU.).
  1. Tome una foto del ícono de la cámara en la tarjeta de registro, incluidos los puntos (⊙).



2.  Envíe la foto al 21432. (Solo EE. UU.; pueden aplicar tarifas de texto y datos).
- Enviar por correo la tarjeta de registro del producto completada.
  - Registrando su producto en línea [www.thermador.com](http://www.thermador.com).
  - Llamando al teléfono de atención al cliente de Thermador 1-800-735-4328.

# Declaración de garantía limitada del producto

Cobertura de esta garantía y a quiénes se aplica

La garantía limitada otorgada por BSH Home Appliances Corporation ("Thermador") en esta Declaración de Garantía Limitada del Producto se aplica únicamente al electrodoméstico Thermador vendido a usted, el primer comprador usuario, siempre que el Producto haya sido Comprado:

- Para uso doméstico (no comercial) normal y que haya sido utilizado en todo momento únicamente para fines domésticos normales.
- Nuevo en una tienda minorista (que no sea un producto de exhibición, ni un producto vendido "en las condiciones en que se encuentra" ni un modelo devuelto anteriormente) y no esté destinado para reventa ni uso comercial.
- Dentro de los Estados Unidos o Canadá, y permanezca en todo momento dentro del país de compra original.

La garantía descrita aquí es válida para el comprador original del producto cubierto por esta garantía y para todo usuario posterior del producto, adquirido para un uso doméstico, durante el término de la garantía.

Asegúrese de devolver su tarjeta de registro; si bien no es necesario para hacer efectiva la cobertura de la garantía, es la mejor manera para que Thermador le notifique en el caso poco probable de que se emita un aviso de seguridad o se retire del mercado un producto.

## Duración de la garantía

Thermador garantiza que el Producto no tiene defectos de materiales ni de mano de obra durante un período de setecientos treinta (730) días a partir de la fecha de compra. El período precedente comienza a regir a partir de la fecha de compra y no se interrumpirá, dejará sin efecto, extenderá ni suspenderá por ningún motivo.

También se garantiza que este Producto no presenta defectos estéticos en el material ni en la mano de obra (como rayas en el acero inoxidable, imperfecciones en la pintura/porcelana, astillas, abolladuras ni ningún otro daño en el acabado del Producto) durante un período de sesenta (60) días desde la fecha de compra o fecha de cierre para una nueva construcción. Esta garantía estética excluye las ligeras variaciones de color debidas a diferencias inherentes en las piezas pintadas y de porcelana, así como las diferencias causadas por la iluminación de la cocina, la ubicación del producto u otros factores similares. Esta garantía estética excluye de manera específica cualquier producto de exhibición, de

exposición en tienda, un producto vendido «en las condiciones en que se encuentra» o aparatos del stock «B».

## Reparación / reemplazo como único recurso

Durante el período de esta garantía, Thermador o uno de sus proveedores de servicio técnico autorizados reparará su Producto sin cargo para usted (con sujeción a determinadas limitaciones especificadas en el presente documento) si se prueba que su Producto ha sido fabricado con un defecto en los materiales o en la mano de obra. Si se ha intentado de manera razonable reparar el Producto sin éxito, Thermador reemplazará su Producto (es posible que usted tenga disponibles modelos mejorados, a entera discreción de Thermador, con un cargo adicional). Todas las piezas y los componentes extraídos serán propiedad de Thermador, a su entera discreción. Todas las piezas reemplazadas o reparadas se considerarán como la pieza original a los fines de esta garantía, y esta garantía no será extensible a dichas piezas.

En virtud del presente documento, la única y exclusiva responsabilidad y obligación de Thermador es únicamente reparar el Producto defectuoso de fábrica, a través de un proveedor de servicio técnico autorizado por Thermador durante el horario de oficina.

Por cuestiones de seguridad y daños materiales, Thermador recomienda encarecidamente que no intente reparar el Producto usted mismo ni usar un proveedor de servicio técnico no autorizado; Thermador no será responsable ni tendrá obligación alguna sobre las reparaciones o trabajos realizados por un centro de servicio técnico no autorizado. Si usted prefiere que una persona que no sea proveedor de servicio técnico autorizado trabaje en su Producto, ESTA GARANTÍA SE ANULARÁ AUTOMÁTICAMENTE. Los proveedores de servicio técnico autorizados son aquellas personas o compañías que han sido especialmente capacitadas para manejar los productos de Thermador y que tienen, según el criterio de Thermador, una reputación superior de servicio con el cliente y capacidad técnica (debe tener en cuenta que son entidades independientes y no son agentes, socios, afiliados ni representantes de Thermador). Sin perjuicio de lo anterior, Thermador no tendrá responsabilidad ni obligación alguna sobre el Producto que se encuentre en un área remota (a más de 100 millas de un proveedor de servicio técnico autorizado) o en un lugar, área circundante o entorno que no sea accesible por medios razonables o que sea peligroso, hostil o arriesgado; en cualquier caso, cuando lo solicite, Thermador de todas maneras pagará por la mano de obra

y las piezas, y enviará las piezas al proveedor de servicio técnico autorizado más cercano, pero usted seguirá siendo totalmente responsable del tiempo de viaje y demás cargas especiales de la compañía de servicio técnico, suponiendo que acepte hacer la visita de servicio técnico.

## Producto fuera de garantía

Thermador no tiene obligación alguna, en virtud de la ley o por otro motivo, de otorgarle ninguna concesión, incluidos reparaciones, prorrates o reemplazo del Producto, con posterioridad al vencimiento de la garantía.

## Exclusiones de la garantía

La cobertura de garantía descrita en el presente documento excluye todos los defectos o daños que no fueron provocados directamente por Thermador, incluidos, entre otros, alguno de los siguientes:

- Uso del Producto de maneras distintas del uso normal, habitual y previsto (incluidos, entre otros, cualquier forma de uso comercial, uso o almacenamiento en exteriores de un producto diseñado para interiores, uso del Producto en aeronaves o embarcaciones).
- Conducta indebida, negligencia, uso indebido, abuso, accidentes, descuido, operación inadecuada, omisión de mantenimiento, instalación inadecuada o negligente, alteración, omisión de seguir las instrucciones de operación, manipulación inadecuada, servicio técnico no autorizado (incluidos «arreglos» o exploración de los mecanismos internos del aparato realizados por uno mismo).
- Ajuste, alteración o modificación de cualquier tipo.
- Incumplimiento de los códigos, reglamentaciones o leyes de electricidad, fontanería o construcciones locales estatales, municipales o de condado, incluida la omisión de instalar el producto cumpliendo estrictamente con los códigos y las reglamentaciones locales de construcción y protección contra incendios.
- Desgaste habitual, derrames de alimentos, líquidos, acumulaciones de grasa u otras sustancias que se acumulen sobre el Producto, dentro o alrededor de este.
- Cualquier fuerza y factor externo, elemental y/o ambiental, incluidos, entre otros, lluvia, viento, arena, inundaciones, incendios, aludes de lodo, temperaturas bajas extremas, humedad excesiva o exposición prolongada a la humedad, rayos, sobrecargas eléctricas, fallos estructurales alrededor del aparato y caso fortuito.

También se excluyen de esta garantía productos en los que los números de serie hayan sido alterados, modificados o eliminados; visitas del servicio técnico para enseñarle a usar el Producto o visitas en las que se determine que no hay ningún problema con el Producto; corrección de los problemas de instalación (usted es el único responsable de cualquier estructura y soporte del Producto, incluidas todas las instalaciones de electricidad y fontanería o demás instalaciones de conexión, de la correcta instalación en bases / pisos y de cualquier alteración, incluidos, entre otros, gabinetes, paredes, pisos, repisas, etc.); y el restablecimiento de disyuntores o fusibles.

EN LA MEDIDA PERMITIDA POR LA LEY, ESTA GARANTÍA ESTABLECE SUS RECURSOS EXCLUSIVOS CON RESPECTO AL PRODUCTO, INDEPENDIEMENTE DE QUE LA RECLAMACIÓN SEA CONTRACTUAL O EXTRA CONTRACTUAL (INCLUIDA LA RESPONSABILIDAD OBJETIVA O LA NEGLIGENCIA), O DE CUALQUIER OTRO MODO. ESTA GARANTÍA REEMPLAZA TODAS LAS DEMÁS GARANTÍAS EXPRESAS O IMPLÍCITAS. LAS GARANTÍAS IMPLÍCITAS POR LEY, YA SEA DE COMERCIABILIDAD O APTITUD PARA UN FIN ESPECÍFICO, O DE CUALQUIER OTRO TIPO, TENDRÁN VIGENCIA ÚNICAMENTE DURANTE EL PERÍODO DE VIGENCIA DE LA PRESENTE GARANTÍA LIMITADA EXPRESA. EN NINGÚN CASO, EL FABRICANTE SERÁ RESPONSABLE DE LOS DAÑOS CONSECUENTES, ESPECIALES, INCIDENTALES, INDIRECTOS, POR "PÉRDIDAS COMERCIALES" O DAÑOS PUNITIVOS, PÉRDIDAS O GASTOS, INCLUIDOS, ENTRE OTROS, TIEMPO FUERA DEL TRABAJO, HOTELES O COMIDAS EN RESTAURANTES, GASTOS DE REMODELACIÓN QUE SUPEREN LOS DAÑOS DIRECTOS, QUE DEFINITIVAMENTE HAYAN SIDO CAUSADOS DE MANERA EXCLUSIVA POR THERMADOR O DE OTRO MODO. ALGUNOS ESTADOS NO PERMITEN LA EXCLUSIÓN O LIMITACIÓN DE DAÑOS INCIDENTALES O CONSECUENTES, Y ALGUNOS ESTADOS NO PERMITEN LIMITACIONES CON RESPECTO AL PLAZO DE VIGENCIA DE UNA GARANTÍA IMPLÍCITA; POR LO TANTO, ES POSIBLE QUE LAS LIMITACIONES ANTERIORES NO SE APLIQUEN A USTED. ESTA GARANTÍA LE OTORGA DERECHOS LEGALES ESPECÍFICOS, Y TAMBIÉN PUEDEN CORRESPONDERLE OTROS DERECHOS QUE PUEDEN VARIAR SEGÚN EL ESTADO.

Cualquier intento de alterar, modificar o enmendar la presente garantía no tendrá vigencia, a menos que fuera autorizado por escrito por un ejecutivo de BSH.

## Support

Thank you for being a Thermador customer!

Thermador is dedicated to supporting you and your appliance so you have many years of creative cooking. Please don't hesitate to contact us if you have any questions. We're happy to help you with cleaning and care instructions, cooking tips, accessories, troubleshooting, and more.

### USA:

1-800-735-4328

[thermador.com/customer-care](http://thermador.com/customer-care)

### Canada:

1-800-735-4328

[thermador.ca/support](http://thermador.ca/support)

## Accessories and parts

Filters, Thermador cleaners, Teppanyaki pans, griddles, replacement parts, and more can be purchased in our online accessories store.

### USA:

[store.thermador.com/us](http://store.thermador.com/us)

### Canada:

Filters, parts and accessories can be purchased through our distributors.

Marcone: 1-800-287-1627

Reliable Parts: 1-800-663-6060

## Soutien

Merci d'être un client Thermador!

Thermador s'engage à offrir tout le support dont vous et votre appareil avez besoin afin que vous puissiez en profiter pleinement. N'hésitez pas à communiquer avec nous pour toute question. Nous serons heureux de vous aider avec des directives concernant le nettoyage et les soins, des conseils de cuisson, des accessoires, le dépannage et plus encore.

### É.-U. :

1-800-735-4328

[thermador.com/customer-care](http://thermador.com/customer-care)

### Canada :

1-800-735-4328

[thermador.ca/support](http://thermador.ca/support)

## Accessoires et pièces

Vous trouverez dans notre magasin d'accessoires en ligne des filtres, des produits nettoyants Thermador, des poêles Teppanyaki, des plaques à frire, des pièces de rechange et plus encore.

### É.-U. :

[store.thermador.com/us](http://store.thermador.com/us)

### Canada :

Les filtres, pièces et accessoires peuvent être achetés auprès de nos distributeurs.

Marcone: 1-800-287-1627

Reliable Parts: 1-800-663-6060

## Soporte

¡Gracias por ser un cliente Thermador!

Thermador se dedica a apoyarlo a usted y a su aparato para que tenga muchos años para cocinar creativamente. No dude en contactarnos si tuviera preguntas. Nos encantará ayudarlo con las instrucciones de limpieza y cuidado, consejos para cocinar, accesorios, solución de problemas y más.

### EEUU:

1-800-735-4328

[thermador.com/customer-care](http://thermador.com/customer-care)

### Canadá:

1-800-735-4328

[thermador.ca/support](http://thermador.ca/support)

## Accesorios y piezas

Los filtros, limpiadores Thermador, sartenes de Teppanyaki, planchas, piezas de refacción y más se pueden comprar en nuestra tienda de accesorios en línea.

### EEUU:

[store.thermador.com/us](http://store.thermador.com/us)

### Canadá:

Los filtros, piezas y accesorios se pueden comprar a través de nuestros distribuidores.

Marcone: 1-800-287-1627

Reliable Parts: 1-800-663-6060

