



Register your
new device on
MyBosch now and
get free benefits:
[bosch-home.com/
welcome](https://bosch-home.com/welcome)

Fridge-freezer

KDN..

en	Instructions for use	Fridge-freezer	4
fr	Notice d'utilisation	Combiné réfrigérateur-congérateur	22
pt	Instruções de serviço	Combinação de frigorífico e congelador	44

en Table of contents

Safety and warning information	4	Freezer compartment	13
Information concerning disposal	7	Freezing capacity	13
Scope of delivery	7	Freezing and storing food	13
Installation location	8	Freezing fresh food	14
Fitting the wall spacer	8	Super freezing	15
Aligning the appliance	8	Thawing frozen food	15
Observe ambient temperature and ventilation	8	Interior fittings	15
Connecting the appliance	9	Switching off and disconnecting the appliance	16
Getting to know your appliance	10	Cleaning the appliance	17
Switching on the appliance	10	Light (LED)	17
Setting the temperature	11	Tips for saving energy	18
eco	11	Operating noises	18
Alarm functions	11	Eliminating minor faults yourself	19
Usable capacity	12	Customer service	21
Refrigerator compartment	12		

fr Table des matières

Prescriptions-d'hygiène-alimentaire ..	22	Le compartiment réfrigérateur	33
Consignes de sécurité et avertissements	22	Compartiment congélateur	34
Conseil pour la mise au rebut	26	Capacité de congélation	34
Étendue des fournitures	27	Congélation et rangement	34
Lieu d'installation	27	Congélation de produits frais	35
Monter les écarteurs muraux	28	Supercongélation	36
Ajuster l'appareil	28	Décongélation des produits	36
Contrôler la température ambiante et l'aération	28	Équipement	36
Branchement de l'appareil	29	Arrêt et remisage de l'appareil	37
Présentation de l'appareil	30	Nettoyer l'appareil	38
Mise en service de l'appareil	31	Éclairage (LED)	38
Réglage de la température	31	Economies d'énergie	39
« eco »	32	Bruits de fonctionnement	39
Fonctions d'alarme	32	Remédier soi même aux petites pannes	40
Contenance utile	33	Service après-vente	43

pt Índice

Instruções de segurança e de aviso	44	Zona de refrigeração	54
Instruções sobre reciclagem	47	Zona de congelação	55
O fornecimento inclui	48	Capacidade de congelação	55
Local da instalação	49	Congelação e conservação	55
Montar o distanciador da parede	49	Congelação de alimentos frescos	56
Alinhar o aparelho	49	Supercongelação	57
Ter em atenção a temperatura ambiente e a ventilação	50	Descongelação dos alimentos	57
Ligar o aparelho	50	Equipamento	58
Familiarização com o aparelho	51	Desligar e desactivar o aparelho	59
Ligar o aparelho	52	Limpeza do aparelho	59
Regular a temperatura	52	Iluminação (LED)	60
«eco»	53	Como poupar energia	60
Funções de alarme	53	Ruídos de funcionamento	60
Capacidade útil	54	Eliminação de pequenas anomalias	61
		Serviço de Assistência Técnica	64

Safety and warning information

Before you switch ON the appliance

Please read the operating and installation instructions carefully! They contain important information on how to install, use and maintain the appliance. The manufacturer is not liable if you fail to comply with the instructions and warnings. Retain all documents for subsequent use or for the next owner.

Technical safety



Fire hazard

The tubes of the refrigeration circuit convey a small quantity of an environmentally friendly but flammable refrigerant (R600a). It does not damage the ozone layer and does not increase the greenhouse effect. If refrigerant escapes, it may injure your eyes or ignite.

If damage has occurred

- Keep naked flames and/or ignition sources away from the appliance,
- thoroughly ventilate the room for several minutes,
- switch off the appliance and pull out the mains plug,
- inform customer service.

The more refrigerant an appliance contains, the larger the room must be in which the appliance is situated. Leaking refrigerant can form a flammable gas-air mixture in rooms which are too small. The room must be at least 1 m³ per 8 g of refrigerant. The amount of refrigerant in your appliance is indicated on the rating plate inside the appliance.

When installing the appliance, ensure that the mains cable is not trapped or damaged.

If the power cord of this appliance is damaged, it must be replaced by the manufacturer, Customer Service or a similarly qualified person. Improper installations and repairs may put the user at considerable risk.

Repairs may be performed by the manufacturer, customer service or a similarly qualified person only.

Only original parts supplied by the manufacturer may be used. The manufacturer guarantees that only these parts satisfy the safety requirements.

Do not use multiple sockets, extension leads or adapters.



Fire hazard

Portable multiple outlets or power supplies may overheat, causing a fire.

Never leave portable multiple outlets or portable power supplies behind the appliance.

Important information when using the appliance

- Never use electrical appliances inside the appliance (e.g. heaters, electric ice makers, etc.). Risk of explosion!
- Never defrost or clean the appliance with a steam cleaner! The steam may penetrate electrical parts and cause a short-circuit. Risk of electric shock!
- Do not use additional means to accelerate the defrosting process other than those recommended by the manufacturer. Risk of explosion!
- Do not use pointed or sharp-edged implements to remove frost or layers of ice. You might damage the refrigerant tubes. Leaking refrigerant may cause eye injuries or ignite.
- Do not store products which contain flammable propellant (e.g. spray cans) or explosive substances in the appliance. Risk of explosion!
- Do not stand on or lean heavily against the base of the appliance, drawers, doors, etc.
- For defrosting and cleaning, pull out the mains plug or switch off the fuse. Do not pull out the mains plug by tugging on the power cord.
- Store high-percentage alcohol tightly sealed and in an upright position.
- Keep plastic parts and the door seal free of oil and grease. Otherwise, plastic parts and the door seal will become porous.
- Never cover or block the ventilation openings of the appliance.
- Do not store bottled or canned liquids (especially carbonated drinks) in the freezer compartment. Bottles and cans may burst!

- Never put frozen food straight from the freezer compartment in your mouth.
Risk of low-temperature burns!
- **Avoiding placing children and vulnerable people at risk:**
At risk here are children, people who have limited physical, mental or sensory abilities, as well as people who have inadequate knowledge concerning safe operation of the appliance.
Check that children and vulnerable people have understood the hazards.
A person responsible for safety must supervise or instruct children and vulnerable people who are using the appliance.
Only children aged 8 years and above may use the appliance.
Supervise children while the appliance is being cleaned or maintained.
Never allow children to play with the appliance.
- Avoid prolonged touching of frozen food, ice or the evaporator pipes, etc.
Risk of low-temperature burns!

Children in the household

- Keep children away from packaging and its parts.
Danger of suffocation from folding cartons and plastic film!
- Do not allow children to play with the appliance!
- If the appliance features a lock:
keep the key out of the reach of children!

General regulations

The appliance is suitable

- for refrigerating and freezing food,
- for making ice.

This appliance is intended for use in the home and the home environment.

The refrigeration circuit has been checked for leaks.

This appliance complies with the relevant safety regulations for electrical appliances and is fitted with noise suppression.

This appliance is intended for use up to a maximum height of 2000 metres above sea level.

Information concerning disposal

Disposal of packaging

The packaging protects your appliance from damage during transit. All utilised materials are environmentally safe and recyclable. Please help us by disposing of the packaging in an environmentally friendly manner.

Please ask your dealer or inquire at your local authority about current means of disposal.

Disposal of your old appliance

Old appliances are not worthless rubbish! Valuable raw materials can be reclaimed by recycling old appliances.



This appliance is labelled in accordance with European Directive 2012/19/EU concerning used electrical and electronic appliances (waste electrical and electronic equipment - WEEE). The guideline determines the framework for the return and recycling of used appliances as applicable throughout the EU.

Warning

Redundant appliances

1. Pull out the mains plug.
2. Cut off the power cord and discard with the mains plug.
3. Do not take out the trays and receptacles: children are therefore prevented from climbing in!
4. Do not allow children to play with the appliance once it has spent its useful life. Danger of suffocation!

Refrigerators contain refrigerant and gases in the insulation. Refrigerant and gases must be disposed of professionally. Ensure that tubing of the refrigerant circuit is not damaged prior to proper disposal.

Scope of delivery

After unpacking all parts, check for any damage in transit.

If you have any complaints, please contact the dealer from whom you purchased the appliance or our customer service.

The delivery consists of the following parts:

- Free-standing appliance
- Interior fittings (depending on model)
- Bag containing installation materials
- Operating instructions
- Installation manual
- Customer service booklet
- Warranty enclosure
- Information on the energy consumption and noises

Installation location

A dry, well ventilated room is suitable as an installation location. The installation location should not be exposed to direct sunlight and not placed near a heat source, e.g. a cooker, radiator, etc. If installation next to a heat source is unavoidable, use a suitable insulating plate or observe the following minimum distances from the heat source:

- 3 cm to electric or gas cookers.
- 30 cm to an oil or coal-fired cooker.

The floor of the installation location must not give way; if required, reinforce floor. If the floor is uneven, compensate with supports.

Distance from wall

When installing the appliance, ensure that the door can be opened by 90°.

Fitting the wall spacer

Fit wall spacers to obtain the indicated energy rating of the appliance. A reduced wall gap will not restrict the function of the appliance. The energy rating may then increase slightly.

Distance to the back wall

The distance of 75 mm must not be exceeded.

Aligning the appliance

Place the appliance in the designated location and align. The appliance must be level and stand securely on the floor. If the floor is uneven, use the front height-adjustable feet. Adjust the height-adjustable feet with a spanner.

Note

The appliance must be vertical. Please align it with a spirit level.

Observe ambient temperature and ventilation

Ambient temperature

The appliance is designed for a specific climate class. Depending on the climate class, the appliance can be operated at the following temperatures.

The climate class can be found on the rating plate. Fig. 9

Climate class	Permitted ambient temperature
SN	+10 °C to 32 °C
N	+16 °C to 32 °C
ST	+16 °C to 38 °C
T	+16 °C to 43 °C

Note

The appliance is fully functional within the room temperature limits of the indicated climatic class. If an appliance of climatic class SN is operated at colder room temperatures, the appliance will not be damaged up to a temperature of +5 °C.

Ventilation

Fig. 4

The air on the rear panel and on the side panels of the appliance heats up.

Conduction of the heated air must not be obstructed. Otherwise, the refrigerating unit must work harder. This increases power consumption. Therefore: Never cover or block the ventilation openings!

Connecting the appliance

After installing the appliance, wait at least 1 hour until the appliance is switched on. During transportation the oil in the compressor may have flowed into the refrigeration system.

Before switching on the appliance for the first time, clean the interior of the appliance (see chapter "Cleaning the appliance").

Electrical connection

The socket must be near the appliance and also freely accessible following installation of the appliance.

Warning

Risk of electric shock!

If the length of the mains cable is inadequate, never use multiple sockets or extension leads. Instead, please contact Customer Service for alternatives.

The appliance complies with protection class I. Connect the appliance to 220–240 V/50 Hz alternating current via a correctly installed socket with protective conductor. The socket must be protected by a 10 A to 16 A fuse.

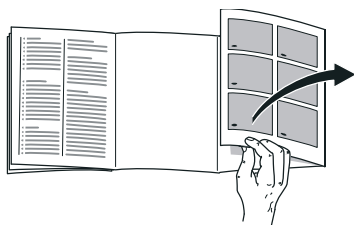
For appliances operated in non-European countries, check whether the indicated voltage and current type match the values of your electricity supply. This information can be found on the rating plate, Fig. 9.

Warning

Never connect the appliance to electronic energy saver plugs.

Our appliances can be used with mains and sine-controlled inverters. Mains-controlled inverters are used for photovoltaic systems which are connected directly to the national grid. Sine-controlled inverters must be used for isolated applications (e.g. on ships or in mountain lodges) which are not connected directly to the national grid.

Getting to know your appliance



Please fold out the illustrated last page. These operating instructions refer to several models.

The features of the models may vary.

The diagrams may differ.

Fig. 1

* Not all models.

- A Freezer compartment
- B Refrigerator compartment

- 1–4 Controls
- 5 Light (LED)
- 6 Fast freezer compartment
- 7* Ice pack
- 8 Condensation channel
- 9* Door shelf
- 10 Temperature controller
- 11* Bottle shelf
- 12 Shelf in the refrigerator compartment
- 13 Vegetable container
- 14 Height-adjustable feet
- 15 Shelf for small bottles
- 16 Shelf for large bottles

Controls

Fig. 2

- 1 **Temperature selection button**
The required temperature is set with this button.
- 2 **“super” display (freezer compartment)**
Illuminates when super freezing is on.
- 3 **Temperature display freezer compartment**
The numbers correspond to the set freezer compartment temperatures in °C.
- 4 **Eco mode indicator**
This lights up when the eco mode is switched on.

Switching on the appliance

Fig. 2

1. Insert the plug in the socket.
2. A warning signal sounds. The temperature display 3 flashes.
3. Press the temperature setting button 1. The warning signal switches off.

When the freezer compartment has reached the set temperature, the temperature display 3 is lit.

The factory recommends the following settings:

- Refrigerator compartment: medium setting
- Freezer compartment: -18°C

Store delicate foods in the refrigerator compartment.

Operating tips

- When the appliance has been switched on, it may take several hours until the set temperatures have been reached.
- The fully automatic NoFrost system ensures that the freezer compartment remains free of ice. Defrosting is no longer required.
- The sides of the housing are sometimes heated slightly. This prevents condensation in the area of the door seal.
- If the freezer compartment door cannot be immediately re-opened after it has been closed, wait until the resulting low pressure has equalised.

Setting the temperature

Refrigerator compartment

Turn temperature controller, Fig. **1**/10, to the required setting.

We recommend the setting in line with the marking.

Changing the setting clockwise will lower temperatures in the refrigerator compartment.

At a room temperature below 16°C, slightly increase the temperature setting in the appliance. At a room temperature above 32°C, slightly reduce the temperature setting in the appliance.

Select a very cold setting only temporarily if:

- door is opened frequently,
- large quantities of food are placed in the refrigerator compartment.

Freezer compartment

The temperature can be set from -18°C to -24°C.

Keep pressing temperature setting button 1 until the required freezer compartment temperature is set.

The last set value is saved. The set temperature is indicated on temperature display 3.

eco

The “eco” function switches the appliance to energy-saving mode.

The appliance automatically sets the following temperatures:

- Freezer compartment: -16°C

Switching on eco

Keep pressing the temperature setting button 1 until the eco indicator is highlighted.

Alarm functions

Fig. **2**

Door alarm

The door alarm (continuous sound) switches on if the appliance door is open for longer than one minute. Close the door to switch off the warning signal.

Temperature alarm

The temperature alarm switches on if the freezer compartment is too warm and the frozen food is at risk of thawing.

Temperature display, Fig. 2/3, is flashing.

The alarm may switch on without any risk to the frozen food:

- when the appliance is switched on,
- when large quantities of fresh food are placed in the appliance,
- if the freezer compartment door is open too long.

Note

Do not refreeze thawing or thawed food. Only ready meals (boiled or fried) may be refrozen.

No longer store the frozen produce for the max. storage period.

Switching off the alarm

Fig. 2

Press the temperature setting button 1 to switch off the warning signal.

Usable capacity

Information on the usable capacity can be found inside your appliance on the rating plate. Fig. 9

Refrigerator compartment

The refrigerator compartment is the ideal storage location for meat, sausage, fish, dairy products, eggs, ready meals and pastries.

Note when storing food

Note

Optimum cooling capacity is attained when the upper glass shelf remains in position.

- Store fresh, unspoiled food. This will then preserve quality and freshness for longer.
- With ready-made products and bottled goods, observe the best-before or use-by date specified by the manufacturer.
- To preserve aroma, colour and freshness, pack or cover food well before placing in the appliance. This will prevent the transfer of flavours and the discolouration of plastic parts in the refrigerator section.
- Allow hot food and drinks to cool down first before placing in the appliance.

Note

Do not block air outlet openings with food, otherwise the air circulation will be impaired. Food which is stored directly in front of the air outlet openings may be frozen by the cold air flowing out.

Note

Avoid contact between food and rear panel. Otherwise the air circulation will be impaired.

Food or packaging could freeze to the rear panel.

Note the chill zones in the refrigerator section

The air circulation in the refrigerator section creates different chill zones:

- The coldest zone is between the vegetable container and the glass shelf situated above and in front of the air outlet openings.

Note

Store perishable food (e.g. fish, sausage, meat) in the coldest zone.

- The warmest zone is at the very top of the door.

Note

Store e.g. hard cheese and butter in the warmest zone. The aroma of hard cheese can then continue to develop and butter remains spreadable.

Vegetable container

Fig. **1**/13

A high air humidity keeps leafy vegetables fresh for longer. Vegetables and fruit should be stored at a slightly lower air humidity.

The air humidity in the vegetable drawer depends on the amount of stored food.

Note

If the air humidity is too high, drips may form and cause decay.

Freezer compartment

Use the freezer compartment

- To store deep-frozen food.
- To make ice cubes.
- To freeze food.

Note

Ensure that the freezer compartment door has been closed properly. If the door is open, the frozen food will thaw. The freezer compartment will become covered in thick ice. Also: waste of energy due to high power consumption!

Freezing capacity

Information on the freezing capacity can be found on the rating plate. Fig. **9**

Freezing and storing food

Purchasing frozen food

- Packaging must not be damaged.
- Use by the “use by” date.
- Temperature in the supermarket freezer must be $-18\text{ }^{\circ}\text{C}$ or lower.
- If possible, transport deep-frozen food in an insulated bag and place quickly in the freezer compartment.

Note when loading products

Freeze large quantities of food in the fast freezer compartment where food freezes particularly quickly and therefore also gently.

Food which is already frozen must not come into contact with the food which is to be frozen.

Freezing fresh food

Freeze fresh and undamaged food only.

To retain the best possible nutritional value, flavour and colour, vegetables should be blanched before freezing. Aubergines, peppers, zucchini and asparagus do not require blanching. Literature on freezing and blanching can be found in bookshops.

Note

Keep food which is to be frozen away from food which is already frozen.

- The following foods are suitable for freezing:
 - Cakes and pastries, fish and seafood, meat, game, poultry, vegetables, fruit, herbs, eggs without shells, dairy products such as cheese, butter and quark, ready meals and leftovers such as soups, stews, cooked meat and fish, potato dishes, soufflés and desserts.
- The following foods are not suitable for freezing:
 - Types of vegetables, which are usually consumed raw, such as lettuce or radishes, eggs in shells, grapes, whole apples, pears and peaches, hard-boiled eggs, yoghurt, soured milk, sour cream, crème fraîche and mayonnaise.

Packing frozen food

To prevent food from losing its flavour or drying out, place in airtight containers.

1. Place food in packaging.
2. Remove air.
3. Seal the wrapping.
4. Label packaging with contents and date of freezing.

Suitable packaging:

Cling wrap, tubular film made of polyethylene, aluminium foil, freezer containers.

These products are available from specialist outlets.

Unsuitable packaging:

Wrapping paper, greaseproof paper, cellophane, bin liners and used shopping bags.

Items suitable for sealing packaged food:

Rubber bands, plastic clips, string, cold-resistant adhesive tape, etc.

Bags and tubular film made of polyethylene (PE) can be sealed with a film heat sealer.

Shelf life of frozen food

Storage duration depends on the type of food.

At a temperature of -18 °C:

- Fish, sausage, ready meals and cakes and pastries:
 - up to 6 months
- Cheese, poultry and meat:
 - up to 8 months
- Vegetables and fruit:
 - up to 12 months

Super freezing

Food should be frozen solid as quickly as possible in order to retain vitamins, nutritional value, appearance and flavour.

Several hours before placing fresh food in the freezer compartment, switch on super freezing to prevent an unwanted temperature rise.

As a rule, 4–6 hours is adequate.

This appliance runs constantly and the freezer compartment drops to a very low temperature.

If the max. freezing capacity is to be used, super freezing must be switched on for 24 hours before the fresh produce is placed in the freezer compartment.

Smaller quantities of food (up to 2 kg) can be frozen without “super freezing”.

Note

When super freezing is switched on, increased operating noises may occur.

Switching on and off

Fig. **2**

Keep pressing the temperature selection button 1 until the Super display 2 is lit.

Super freezing automatically switches off after approx. 2½ days.

Thawing frozen food

Depending on the type and application, select one of the following options:

- at room temperature
- in the refrigerator
- in an electric oven, with/without fan assisted hot-air
- in the microwave



Caution

Do not refreeze thawing or thawed food. Only ready meals (boiled or fried) may be refrozen.

No longer store the frozen produce for the max. storage period.

Interior fittings

You can reposition the shelves inside the appliance and the door shelves as required:

- Pull shelf forwards, lower and swing out to the side. Fig. **5**
- Raise the door shelf and remove. Fig. **4**

Special features

(not all models)

Ice pack

The ice pack can be removed to cool food temporarily, e.g. in a cold bag.

If a power failure or malfunction occurs, the ice pack can be used to slow down the thawing process.

Ice cube tray

Fig. 7

1. Fill the ice cube tray $\frac{3}{4}$ full of drinking water and place in the freezer compartment.
2. If the ice tray is stuck to the freezer compartment, loosen with a blunt implement only (spoon-handle).
3. To loosen the ice cubes, twist the ice tray slightly or hold briefly under flowing water.

Bottle shelf

Fig. 8

Bottles can be stored securely on the bottle shelf.

Vegetable container with humidity controller

Fig. 6

To create the optimum storage climate for fruit and vegetables, you can set the air humidity in the vegetable container depending on the quantity stored:

- smaller quantities of fruit and vegetables – high air humidity
- large quantities of fruit and vegetables – low air humidity

Notes

- Fruit sensitive to cold (e.g. pineapple, banana, papaya and citrus fruit) and vegetables sensitive to cold (e.g. aubergines, cucumbers, zucchini, peppers, tomatoes and potatoes) should be stored outside the refrigerator at temperatures of approx. +8 °C to +12 °C for optimum preservation of quality and flavour.

- Condensation may form in the vegetable container depending on the type and quantity of products stored. Remove condensation with a dry cloth and adjust air humidity in the vegetable container with the humidity controller.

Switching off and disconnecting the appliance

Switching off the appliance

Pull out mains plug or switch off fuse. Refrigerating unit switches off.

Disconnecting the appliance

If you do not use the appliance for a prolonged period:

1. Pull out the mains plug or switch off the fuse.
2. Clean the appliance.
3. Leave appliance doors open.

Cleaning the appliance

Caution

- Never clean the appliance with large volumes of water (e.g. from the water hose).

Water may run into the appliance and damage the electrical components.

- Do not use sand-, chloride- or acid-based cleaning agents or solvents.
- Do not use scouring or abrasive sponges.

The metallic surfaces could corrode.

- Never clean shelves or containers in the dishwasher.

The parts may become deformed!

The cleaning water must not get into the following areas:

- Controls
- Illumination
- Ventilation openings
- Openings in the separating plate

Proceed as follows:

1. Pull out the mains plug or switch off the fuse.
2. Take out the frozen food and store in a cool location. Place ice pack (if available) on the food.
3. The rinsing water must not drip into the controls, lighting, ventilation openings or the openings in the partition!

Clean the appliance with a soft cloth, lukewarm water and a little pH-neutral washing-up liquid.

4. Wipe the door seal with clear water only and then wipe dry thoroughly.
5. After cleaning reconnect the appliance.
6. Put the frozen food back into the appliance.

Interior fittings

All variable parts of the appliance can be taken out for cleaning.

Take out shelves in the door

Fig. **4**

Lift shelves upwards and take out.

Take out glass shelves

Pull the glass shelves forwards and take out.

Light (LED)

Your appliance features a maintenance-free LED light.

These lights may be repaired by customer service or authorised technicians only.

Tips for saving energy

- Install the appliance in a dry, well ventilated room! The appliance should not be installed in direct sunlight or near a heat source (e.g. radiator, cooker).
If required, use an insulating plate.
- Allow warm food and drinks to cool down before placing in the appliance.
- Thaw frozen food in the refrigerator compartment and use the low temperature of the frozen food to cool refrigerated food.
- Open the appliance as briefly as possible.
- To achieve the lowest energy consumption, leave a small wall gap at the side.
- Do not remove or relocate the upper glass shelf.
- Do not block the ventilation openings in the appliance.
- To avoid increased power consumption, occasionally clean the back of the appliance.
- The ice packs slow down the thawing process of the frozen food in the event of a power failure or malfunction. Place the ice packs directly on the food in the top compartment.

Operating noises

Quite normal noises

Note

When super freezing is switched on, increased operating noises may occur.

Droning

Motors are running (e.g. refrigerating units, fan).

Bubbling, humming or gurgling noises

Refrigerant is flowing through the tubing.

Clicking

Motor, switches or solenoid valves are switching on/off.

Cracking

Automatic defrosting is running.

Sizzling

The noFrost system defrosts, water droplets evaporate.

Preventing noises

The appliance is not level

Please align the appliance with a spirit level. Use the height-adjustable feet or place packing underneath them.

The appliance is not free-standing

Please move the appliance away from adjacent units or appliances.

Containers or storage areas wobble or stick

Please check the removable parts and re-insert them correctly if required.

Bottles or receptacles are touching each other

Move the bottles or receptacles slightly away from each other.

Eliminating minor faults yourself

Before you call customer service:

Please check whether you can eliminate the fault yourself based on the following information.

Customer service will charge you for advice – even if the appliance is still under guarantee!


Fault	Possible cause	Remedial action
Temperature differs greatly from the set value.		<p>In some cases it is adequate to switch off the appliance for 5 minutes.</p> <p>If the temperature is too high wait a few hours and check whether the temperature has approached the set value.</p> <p>If the temperature is too low check the temperature again the next day.</p>
Appliance has no refrigeration capacity. The light does not work. The display does not illuminate.	Power failure.	Check whether the power is on.
	The fuse has been switched off.	Check the fuse.
	The mains plug has not been inserted properly.	Check whether the mains plug is secure.
Warning signal is emitted.	Appliance is open.	Close the appliance.
Temperature display flashes.Fig. 2/3	Fault - the freezer compartment is too warm.	To stop the temperature display flashing, press temperature setting button. Fig. 2/1.
	Frozen food is at risk.	The temperature display also stops flashing when the freezer compartment is cold enough again.
	Ventilation openings are covered up.	Ensure that there is adequate ventilation.
	Too much food was placed in the freezer at once.	Do not exceed max. freezing capacity.
The temperature in the freezer compartment is too warm.	Appliance opened frequently.	Do not open the appliance unnecessarily.
	The ventilation openings have been covered.	Remove obstacles.
	Large quantities of fresh food are being frozen.	Do not exceed max. freezing capacity.

Fault	Possible cause	Remedial action
The light does not function.	The LED light is defective.	See chapter "Light (LED)" section.
	Appliance was open too long. Light is switched off after approx. 10 min.	When the appliance is closed and opened, the light is on again.
Controls have reduced luminosity.	When the appliance is not used for some time, the display on the fascia switches to energy saving mode.	As soon as the appliance is again used, e.g. the door is opened, the display switches back to normal illumination.
Appliance is not cooling, temperature display and light are lit.	Showroom mode is switched on.	Hold down temperature selection button fig. 2/1 for 10 seconds until an acknowledgement signal sounds. After a short time check whether your appliance is cooling.
Freezer compartment door was open for a long time; temperature is no longer reached.	The evaporator (refrigeration generator) in the NoFrost system is covered in thick ice and can no longer be defrosted fully automatically.	To defrost the evaporator, remove the frozen food with the compartments, insulate well and store in a cool location. Switch off the appliance and move it away from the wall. Leave the appliance door open. After approx. 20 min. the condensation begins to run into the evaporation pan, at the rear of the appliance. Fig. 10 To prevent the evaporation pan from overflowing in this case, mop up the condensation with a sponge. The evaporator is defrosted when the water stops running into the evaporation pan. Clean the interior. Switch the appliance back on again.
The appliance has no refrigeration capacity. The lighting does not work. The display does not illuminate.	Power failure	Check whether the power is on. In the event of a longer power failure, condensation will collect in the condensation channel. Wipe up the condensation water with a soft cloth.
	The fuse has been switched off.	Check mains fuse.
	The mains plug has not been inserted properly.	Check whether the mains plug is securely inserted.

Fault	Possible cause	Remedial action
Condensation accumulates on the surface of the appliance and on the shelves inside.	The effect is reinforced if ambient temperatures are warm and humid.	<p data-bbox="619 159 1046 191">Wipe away the water with a soft, dry cloth.</p> <ul style="list-style-type: none"> <li data-bbox="619 207 1046 239">■ Open the appliance as briefly as possible <li data-bbox="619 247 1046 306">■ Make sure that the appliance is always closed properly.

Customer service

Your local customer service can be found in the telephone directory or in the customer service index. Please give customer service the product number (E-Nr.), the production number (FD) and the consecutive numbering (Z-Nr.) of the appliance.

This information can be found on the rating plate. Image  9

This way you will help to prevent unnecessary callouts and save the associated additional costs.

Repair order and advice on faults

Contact information for all countries can be found on the enclosed customer service list.

GB	0344 892 8979	Calls charged at local or mobile rate.
IE	01450 2655	0.03 € per minute at peak. Off peak 0.0088 € per minute.
US	800 944 2904	toll-free

Prescriptions- d'hygiène-alimentaire

Chère cliente, cher client,
conformément à la réglementation française visant à empêcher la présence de listeria dans le compartiment réfrigérateur, nous vous remercions de respecter les consignes suivantes :

- Nettoyez fréquemment le compartiment intérieur du réfrigérateur à l'aide d'un détergent non agressif, ne provoquant pas d'oxydation des pièces métalliques (utilisez par ex. de l'eau tiède additionnée d'un peu de produit à vaisselle).

Ensuite, désinfectez avec de l'eau additionnée de vinaigre ou de jus de citron les surfaces que vous avez préalablement nettoyées, ou utilisez un produit germicide en vente dans le commerce et adapté aux réfrigérateurs (avant d'utiliser ce produit sur les pièces métalliques, faites un test de compatibilité à un endroit peu visible).

- Enlevez les emballages commerciaux avant de mettre les produits alimentaires dans le compartiment réfrigérateur (par ex. le carton qui réunit les pots de yaourt).
- Pour éviter toute contamination entre des produits alimentaires de nature différente, rangez-les bien séparés les uns des autres, bien emballés ou rangés dans des récipients à couvercle.

- Avant de préparer des plats et de saisir des produits alimentaires, lavez-vous les mains. Avant de préparer d'autres plats, lavez-vous à nouveau les mains. Lavez-les encore une fois avant de prendre un repas.
- Lavez les ustensiles de cuisine dont vous venez de vous servir avant de les réutiliser (cuillère en bois, planche de découpe, couteau de cuisine, etc.).

Consignes de sécurité et avertissements

Avant de mettre l'appareil en service

Veillez lire attentivement et entièrement les informations figurant dans les notices d'utilisation et de montage. Elle contiennent des remarques importantes concernant l'installation, l'utilisation et l'entretien de l'appareil.

Le fabricant décline toute responsabilité si les consignes et mises en garde contenues dans la notice d'utilisation ne sont pas respectées. Veillez conserver ces documents en vue d'une réutilisation ultérieure ou pour le cas où l'appareil changerait de propriétaire.

Sécurité technique



Risque d'incendie

Dans les tubulures du circuit frigorifique circule une petite quantité de fluide frigorigène respectueux de l'environnement mais combustible (R600a). Il n'abîme pas la couche d'ozone et n'accroît pas l'effet de serre. Le fluide frigorigène risque en fuyant de blesser les yeux ou de s'enflammer.

Si l'appareil est endommagé

- éloignez de l'appareil toute flamme nue ou source d'inflammation,
- aérez bien la pièce pendant quelques minutes,
- éteignez l'appareil puis débranchez la fiche mâle de la prise de courant,
- prévenez le service après-vente.

Plus l'appareil contient du fluide réfrigérant et plus grande doit être la pièce dans laquelle il se trouve. Dans les pièces trop petites, un mélange gaz-air inflammable peut se former en cas de fuite.

Comptez 1 m³ de volume minimum de la pièce pour 8 g de fluide réfrigérant. La quantité de fluide présente dans l'appareil est indiquée sur la plaque signalétique située à l'intérieur de ce dernier.

Lors de l'installation de l'appareil, veillez à ce que le cordon d'alimentation secteur ne soit pas coincé ni endommagé.

Si le cordon d'alimentation secteur de cet appareil a été endommagé, il faut confier son remplacement au fabricant, au service après-vente ou à une personne détenant des qualifications similaires. Les installations et réparations non effectuées dans les règles peuvent engendrer des risques considérables pour l'utilisateur.

Les réparations ne pourront être réalisées que par le fabricant, le service après-vente ou une personne détenant des qualifications similaires.

Il ne faut utiliser que les pièces d'origine du fabricant. Le fabricant ne garantit que les pièces d'origine car elles seules remplissent les exigences de sécurité.

N'utilisez pas de bloc multiprise, de rallonge ou d'adaptateur.



Risque d'incendie

Les blocs multiprises ou blocs secteur portables peuvent surchauffer et provoquer un incendie.

N'utilisez pas de blocs multiprises ni de blocs secteur portables derrière l'appareil.

Pendant l'utilisation

- N'utilisez jamais d'appareils électriques à l'intérieur de l'appareil (p. ex. appareils de chauffage, machine à glaçons, etc.). Risque d'explosion !
- Ne dégivrez ni ne nettoyez jamais l'appareil avec un nettoyeur à vapeur ! La vapeur risque d'atteindre des pièces électriques et de provoquer un court-circuit. Risque d'électrocution !
- Hormis les instructions du fabricant pour ne pas prendre des mesures supplémentaires pour accélérer le dégivrage. Risque d'explosion !
- Pour détacher le givre ou les couches de glace, n'utilisez jamais d'objets pointus ou présentant des arêtes vives. Vous risqueriez d'endommager les tubulures dans lesquelles circule le produit réfrigérant. Si le fluide réfrigérant jaillit, il peut provoquer des lésions oculaires ou s'enflammer.
- Ne stockez dans l'appareil ni produits contenant des gaz propulseurs inflammables (p. ex. bombes aérosols) ni produits explosifs. Risque d'explosion !
- Ne vous servez pas des socles, clayettes et portes comme marchepieds ou pour vous appuyer.
- Pour dégivrer et nettoyer l'appareil, débranchez la fiche mâle de la prise de courant ou retirez le fusible / désarmez le disjoncteur. Pour débrancher l'appareil, tirez sur la fiche mâle et non pas sur son cordon.
- Ne conservez les bouteilles de boissons fortement alcoolisées qu'hermétiquement fermées et debout.

- L'huile et la graisse ne doivent pas entrer en contact avec les parties en matières plastiques et le joint de porte. Ces derniers pourraient sinon devenir poreux.
- Ne recouvrez et n'obstruez jamais les orifices de ventilation de l'appareil.
- Dans compartiment congélation, ne stockez pas de liquides en bouteilles ou en boîtes (en particulier les boissons gazeuses). Les bouteilles et les boîtes pourraient éclater !
- Ne portez jamais des produits surgelés à la bouche immédiatement après les avoir sortis du compartiment congélation.
Risque d'engelures !
- Évitez tout contact prolongé des mains avec les produits congelés, la glace ou les tubes de l'évaporateur, etc.
Risque d'engelures !

- **Évitez des risques pour les enfants et les personnes vulnérables :**

Sont en danger les enfants et les personnes dont les capacités physiques, psychiques ou de perception sont restreintes, ainsi que les personnes ne détenant pas suffisamment de connaissances sur l'utilisation sûre de l'appareil.

Assurez-vous que les enfants et les personnes vulnérables ont bien compris la nature des dangers.

Une personne responsable de la sécurité doit surveiller ou guider les enfants et les personnes vulnérables lorsqu'elles se trouvent près de l'appareil.

Ne permettez l'utilisation de l'appareil qu'aux enfants de plus de 8 ans.

Surveillez les enfants pendant le nettoyage et la maintenance.

Ne laissez jamais des enfants jouer avec l'appareil.

Les enfants et l'appareil

- Ne confiez jamais l'emballage et ses pièces constitutives aux enfants.
Ils risquent de s'étouffer avec les cartons pliants et les feuilles de plastique !
- L'appareil n'est pas un jouet pour enfants !
- Appareils équipés d'une serrure :
rangez la clé hors de portée des enfants !

Dispositions générales

L'appareil convient pour

- réfrigérer et congeler des aliments,
- préparer des glaçons.

Cet appareil est destiné à un usage domestique dans un foyer privé, et à l'environnement domestique.

Le circuit frigorifique a subi un contrôle d'étanchéité.

Cet appareil est conforme aux dispositions de sécurité applicables aux appareils électriques et il est déparasité.

Cet appareil est conçu pour une utilisation jusqu'à une altitude maximale de 2 000 m.

Conseil pour la mise au rebut

Mise au rebut de l'emballage

L'emballage protège votre appareil contre les dommages susceptibles de survenir en cours de transport. Tous les matériaux qui le composent sont compatibles avec l'environnement et recyclables. Aidez-nous : à éliminer l'emballage dans le respect de l'environnement.

Pour connaître les circuits actuels de mise au rebut, adressez-vous s.v.p. à votre revendeur ou à l'administration de votre commune.



Éliminez l'emballage en respectant l'environnement.

Mise au rebut de l'ancien appareil

Les appareils usagés ne sont pas des déchets dénués de valeur ! Leur élimination dans le respect de l'environnement permet d'en récupérer de précieuses matières premières.



Cet appareil est marqué selon la directive européenne 2012/19/UE relative aux appareils électriques et électroniques usagés (waste electrical and electronic equipment - WEEE).

La directive définit le cadre pour une reprise et une récupération des appareils usagés applicables dans les pays de la CE.

Mise en garde

Avant de mettre au rebut l'appareil qui ne sert plus :

1. Débranchez sa fiche mâle.
2. Sectionnez son câble d'alimentation et retirez-le avec la fiche mâle.
3. Pour dissuader les enfants de grimper dans l'appareil, ne retirez pas les clayettes et les bacs !
4. Ne permettez pas aux enfants de jouer avec l'appareil lorsqu'il ne sert plus. Risque d'étouffement !

Les appareils réfrigérants contiennent du fluide réfrigérant. L'isolant contient des gaz. Il faut que le fluide réfrigérant et les gaz soient éliminés dans les règles de l'art. Jusqu'à l'enlèvement de l'appareil, veillez bien à ce que son circuit frigorifique ne soit pas endommagé.

Étendue des fournitures

Après avoir déballé, vérifiez toutes les pièces pour détecter d'éventuels dégâts dus au transport.

En cas de réclamation, veuillez vous adresser au revendeur auprès duquel vous avez acquis l'appareil ou auprès de notre service après-vente.

La livraison comprend les pièces suivantes :

- Appareil indépendant
- Équipement (selon le modèle)
- Sachet avec visserie de montage
- Notice d'utilisation

- Notice de montage
- Carnet de service après-vente
- Pièce annexe de la garantie
- Informations relatives à la consommation d'énergie et aux bruits

Lieu d'installation

Un local sec et aérable convient comme lieu d'installation. Il faudrait que le lieu d'installation ne soit pas directement exposé aux rayons solaires et pas à proximité d'une source de chaleur (cuisinière, radiateur, etc.).

Si l'installation à côté d'une source de chaleur est inévitable, veuillez utiliser un panneau isolant approprié ou respecter les écarts minimums suivants par rapport à la source de chaleur :

- 3 cm par rapport aux cuisinières électriques ou à gaz.
- 30 cm par rapport à un appareil de chauffage au fuel ou au charbon.

Sur l'emplacement, le sol ne doit pas s'affaisser. Renforcez-le le cas échéant. Placez des garnitures sous l'appareil pour compenser les inégalités du sol éventuelles.

Écart mural

Installez l'appareil de sorte à garantir un angle d'ouverture de porte de 90°.

Monter les écarteurs muraux

Montez les écarteurs muraux pour parvenir à la quantité mentionnée d'énergie absorbée par l'appareil. Un écart moins élevé par rapport au mur ne restreint pas le fonctionnement de l'appareil. Dans ce cas, l'énergie absorbée peut augmenter légèrement.

L'écart par rapport à la paroi arrière

Il ne faut pas dépasser un écart de 75 mm.

Ajuster l'appareil

Amenez l'appareil sur l'emplacement prévu puis ajustez-le pour qu'il se retrouve bien d'aplomb. Veillez à ce que l'appareil repose parfaitement d'aplomb sur un sol plan. Si le sol présente des inégalités, compensez-les à l'aide des deux pieds à vis situés à l'avant de l'appareil. Pour modifier le réglage des pieds à vis, servez-vous d'une clé à fourche.

Remarque

L'appareil doit reposer à la verticale. Ajustez-le à l'aide d'un niveau à bulle.

Contrôler la température ambiante et l'aération

Température ambiante

L'appareil a été conçu pour une catégorie climatique précise. Suivant la catégorie climatique, l'appareil est utilisable dans les températures ambiantes suivantes.

La catégorie climatique de l'appareil figure sur sa plaque signalétique, Fig. 9.

Catégorie climatique	Température ambiante admissible
SN	+10 °C à 32 °C
N	+16 °C à 32 °C
ST	+16 °C à 38 °C
T	+16 °C à 43 °C

Remarque

L'appareil est entièrement fonctionnel à l'intérieur des limites de température ambiante prévues dans la catégorie climatique indiquée. Si un appareil de la catégorie climatique SN est utilisé à des températures ambiantes plus basses, il est possible d'exclure que l'appareil s'endommage jusqu'à une température de +5 °C.

Aération

Fig. 4

L'air situé contre la paroi arrière et les parois latérales de l'appareil s'échauffe. L'air chaud doit pouvoir s'échapper sans obstacle. S'il ne le peut pas, le groupe frigorifique doit fonctionner plus longtemps, ce qui augmente la consommation de courant. Pour cette raison, ne recouvrez ni et n'obstruez jamais les orifices d'aération de l'appareil.

Branchement de l'appareil

Après l'installation de l'appareil en position verticale, attendez au moins une heure avant de le mettre en service. Il peut en effet arriver, pendant le transport, que l'huile présente dans le compresseur se déplace vers le circuit frigorifique.

Avant la première mise en service, nettoyez le compartiment intérieur de l'appareil. (Voir le chapitre « Nettoyage de l'appareil ».)

Branchement électrique

La prise de courant doit être proche de l'appareil et demeurer librement accessible même après avoir installé ce dernier.

Mise en garde

Risque d'électrocution !

N'utilisez jamais de bloc multiprise ou de rallonge si la longueur du cordon d'alimentation secteur est insuffisante. Dans ce cas, contactez le service après-vente qui vous indiquera des alternatives.

L'appareil est conforme à la classe de protection I. Raccordez l'appareil au courant alternatif 220 – 240 V/50 Hz via une prise de courant installée dans les règles et comportant un fil de terre. La prise doit être protégée par un fusible de 10 A à 16 A.

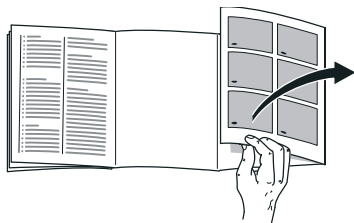
Sur les appareils utilisés dans des pays non européens, vérifiez si la tension et le type de courant indiqués correspondent aux valeurs de votre réseau électrique. Vous trouverez ces indications sur la plaque signalétique, Fig. 9.

Mise en garde

Il ne faut en aucun cas raccorder l'appareil à des fiches électroniques d'économie d'énergie.

Nos appareils peuvent être alimentés via des onduleurs pilotés par le secteur ou à pilotage sinusoïdal. Directement raccordées au réseau public, les installations photovoltaïques font appel à des onduleurs pilotés par le secteur. Dans les solutions en îlots (p. ex. sur les bateaux ou les refuges de montagne), ne disposant pas d'un raccordement direct au réseau électrique public, il faut utiliser des onduleurs à pilotage sinusoïdal.

Présentation de l'appareil



Veillez déplier la dernière page, illustrée, de la notice. La présente notice d'utilisation vaut pour plusieurs modèles. L'équipement des modèles peut varier. Selon le modèle, l'appareil peut différer du contenu des illustrations.

Fig. **1**

* Selon le modèle.

- A Compartiment congélateur
- B Compartiment réfrigérateur

- 1-4 Éléments de commande
- 5 Éclairage (LED)
- 6 Compartiment de congélation rapide
- 7* Accumulateurs de froid
- 8 Cuvette d'eau de condensation
- 9* Rangement en contre-porte
- 10 Thermostat
- 11* Clayette à bouteilles
- 12 Clayettes du compartiment réfrigérateur
- 13 Bac à légumes
- 14 Pied à vis
- 15 Support pour petites bouteilles
- 16 Clayette à grandes bouteilles

Éléments de commande

Fig. **2**

- 1 **Touche de réglage de la température**
Cette touche permet de régler la température souhaitée.
- 2 **La mention « super » (compartiment congélateur)**
Ce voyant ne s'allume que pour indiquer que la supercongélation s'est enclenchée.
- 3 **Affichage de la température régnant dans le compartiment congélateur**
Les chiffres correspondent aux températures °C réglées dans le compartiment congélateur.
- 4 **Affichage eco mode**
Est mis en valeur lorsque le mode eco est activé.

Mise en service de l'appareil

Figure 2

1. Insérez la fiche dans la prise.
2. Une alarme sonore retentit.
L'affichage de température 3 clignote.
3. Appuyez sur la touche de réglage de la température 1. L'alarme sonore s'arrête.

Une fois que le compartiment congélation a atteint la température réglée, l'affichage de température 3 s'allume.

Les réglages usine suivants sont recommandés :

- Compartiment réfrigérateur : réglage sur une valeur moyenne
- Compartiment congélation : -18 °C

Rangez les aliments fragiles dans le compartiment réfrigérateur.

Remarques concernant le fonctionnement de l'appareil

- Après son allumage, l'appareil peut avoir besoin de plusieurs heures pour atteindre les températures réglées.
- Grâce au système NoFrost entièrement automatique, le compartiment congélateur ne se couvre pas de givre. Il n'est plus nécessaire de dégivrer.
- L'appareil chauffe légèrement une partie de ses surfaces frontales pour empêcher une condensation d'eau dans la zone du joint de porte.

- Si la porte du compartiment congélateur ne se laisse pas immédiatement rouvrir après l'avoir fermée, attendez un moment pour laisser à la dépression régnant dans le compartiment le temps de se résorber.

Réglage de la température

Compartiment réfrigérateur

Tournez le thermostat, Fig. 1/10, pour l'amener sur la position souhaitée.

Nous recommandons d'effectuer le réglage sur le repère.

Une modification du réglage dans le sens des aiguilles d'une montre donne des températures plus basses dans le compartiment réfrigérateur.

Si la température ambiante est inférieure à 16 °C, réglez l'appareil sur une température un peu moins basse. Si la température ambiante est supérieure à 32 °C, réglez l'appareil sur une température un peu plus basse.

Ne choisissez un réglage très froid que temporairement, dans les cas suivants :

- Ouvertures fréquentes de la porte.
- Rangement de grandes quantités de produits alimentaires dans le compartiment réfrigérateur.

Compartiment congélation

La température est réglable entre -18 °C et -24 °C.

Appuyez sur la touche de réglage de la température 1 jusqu'à ce que la température souhaitée soit réglée dans le compartiment congélation.

L'appareil mémorise la valeur réglée en dernier. La température réglée est indiquée sur l'affichage de la température 3.

« eco »

La fonction « eco » permet de commuter l'appareil sur un mode de fonctionnement économiseur d'énergie.

L'appareil se règle automatiquement sur les températures suivantes :

- Compartiment congélation : -16 °C

Activer la fonction « eco »

Appuyez sur la touche de réglage de la température 1 jusqu'à ce que la mention « eco » soit mise en valeur.

Fonctions d'alarme

Fig. 2

Alarme relative à la porte

L'alarme relative à la porte (signal sonore permanent) s'active si la porte de l'appareil est restée ouverte plus d'une minute. Refermer la porte suffit pour que l'alarme sonore cesse.

Alarme de température

L'alarme de température s'enclenche lorsque la température est trop élevée dans le compartiment congélateur et que les produits surgelés risquent de s'abîmer.

L'affichage de température, Fig. 2/3, clignote.

L'alarme peut s'activer dans les cas suivants, sans que cela signifie que les produits congelés risquent de s'abîmer :

- lors de la mise en service de l'appareil,
- lors du rangement de grandes quantités de produits frais,
- lorsque la porte du compartiment congélateur est restée trop longtemps ouverte.

Remarque

Ne remettez pas à congeler des produits alimentaires partiellement ou entièrement décongelés. Vous pourrez les recongeler uniquement après les avoir transformés en plats pré-cuisinés (par cuisson ou rôtissage).

N'utilisez pas la durée de conservation dans son intégralité.

Désactiver l'alarme

Fig. 2

Appuyez sur la la touche de réglage de la température 1 pour éteindre l'alarme sonore.

Contenance utile

Vous trouverez les indications relatives à la contenance utile sur la plaque signalétique de votre appareil. Fig. 9

Le compartiment réfrigérateur

Le compartiment réfrigérateur est l'endroit idéal où ranger la viande, la charcuterie, le poisson, les produits laitiers, les œufs, les plats précuisinés et les pâtisseries.

Consignes de rangement

Remarque

Vous obtiendrez une meilleure performance de réfrigération si la clayette en verre demeure en position.

- Rangez des produits alimentaires frais et intacts. Ils conserveront ainsi plus longtemps leur qualité et leur fraîcheur.
- Respectez la date de conservation minimum ou la date de consommation indiquée par le fabricant pour les plats cuisinés et les produits conditionnés.
- Pour préserver l'arôme, la teinte et la fraîcheur, rangez les produits alimentaires bien emballés ou couverts. Ceci empêche que certains aliments ne communiquent leur goût à d'autres et que les pièces en plastique changent anormalement de couleur dans le compartiment réfrigérateur.
- Laissez les boissons et aliments chauds refroidir avant de les ranger dans l'appareil.

Remarque

Dans le compartiment réfrigérateur, veillez à ce que les produits alimentaires n'obstruent pas les orifices de sortie d'air car cela gênerait sa circulation. Les produits alimentaires rangés directement devant les orifices de sortie d'air peuvent geler au contact de l'air froid affluant.

Remarque

Évitez que les produits alimentaires entrent en contact avec la paroi arrière. Cela gênerait sinon la circulation de l'air. Les produits alimentaires ou les emballages pourraient rester collés, par congélation, contre la paroi arrière.

Tenir compte des différentes zones froides dans le compartiment réfrigérateur

L'air circulant dans le compartiment réfrigérateur fait que des zones différemment froides apparaissent :

- La zone la plus froide se trouve entre le bac à légumes et la clayette en verre située au dessus, de même que devant les orifices de sortie d'air.

Remarque

Rangez les produits alimentaires délicats dans la zone la plus froide (par ex. le poisson, la charcuterie, la viande).

- La zone la moins froide se trouve tout en haut de la porte.

Remarque

Rangez-y, par ex., le fromage à pâte dure et le beurre. Le fromage à pâte dure peut ainsi continuer de développer son arôme et le beurre reste facile à tartiner.

Bac à légumes

Fig. 1 / 13

Si l'air est très humide, les légumes à feuilles conservent plus longtemps leur fraîcheur. Les fruits et légumes requièrent, eux, une humidité un peu moins élevée.

L'humidité régnant dans le bac à légumes dépend de la quantité de produits alimentaires rangés.

Remarque

Une humidité excessive peut provoquer l'apparition de gouttes d'eau et entraîner un pourrissement.

Compartiment congélateur

Utilisation du compartiment congélateur

- Sert à ranger des produits surgelés.
- Sert à confectionner des glaçons.
- Pur congeler des produits alimentaires.

Remarque

Veillez à ce que la porte du compartiment congélateur soit correctement fermée ! Si cette porte reste ouverte, les produits surgelés dégèleront. Le compartiment congélateur se givre fortement. En outre : gaspillage d'énergie dû à une consommation élevée d'électricité !

Capacité de congélation

Sur la plaque signalétique, vous trouverez des indications concernant la capacité de congélation. Fig. 9

Congélation et rangement

Achats de produits surgelés

- Leur emballage doit être intact.
- Ne dépassez pas la date-limite de conservation.
- Il faut que la température dans le congélateur bahut du supermarché soit de -18 °C ou encore plus basse.
- Utilisez de préférence un sac isotherme pour le transport puis rangez les produits le plus rapidement possible dans le compartiment congélateur.

Consignes de rangement

Congeler des quantités importantes de produits alimentaires dans le compartiment de congélation rapide. Y est la plus rapide, ce qui en même temps les ménage.

Veillez à ce que les produits congelés n'entrent pas en contact avec des produits frais.

Congélation de produits frais

Pour congeler les aliments, n'utilisez que des aliments frais et d'un aspect impeccable.

Il faudrait blanchir les légumes avant de les congeler, pour préserver le mieux possible leur valeur nutritive, leur arôme et leur teinte. Il n'est pas nécessaire de blanchir les aubergines, poivrons, courgettes et asperges.

Vous trouverez en librairie toute une bibliographie sur la congélation et le blanchissement.

Remarque

Veillez à ce que les produits alimentaires à congeler n'entrent pas en contact avec des produits déjà congelés.

- Se prêtent à la congélation : Pâtisseries, poissons et fruits de mer, viande de boucherie et gibier, volaille, fruits, légumes, herbes culinaires, œufs sans la coque, produits laitiers comme le fromage, le beurre et le fromage blanc, plats précuisinés et restes de plats tels que les soupes, ragouts, la viande et le poisson cuits, les plats aux pommes de terre, les soufflés et mets sucrés.
- Ne se prêtent pas à la congélation : Variétés de légumes habituellement dégustées crues telles que la salade ou les radis, œufs dans leur coque, raisins, pommes, poires et pêches entières, œufs cuits durs, yaourt, lait caillé, crème acidulée, crème fraîche et mayonnaise.

Emballer les surgelés

L'air ne doit pas pénétrer dans l'emballage pour que les aliments ne perdent pas leur goût ni ne sèchent pas.

1. Placez les aliments dans l'emballage.
2. Presser pour chasser l'air.
3. Obturez l'emballage hermétiquement.
4. Indiquez sur l'emballage le contenu et la date de congélation.

Emballages adaptés :

Film en plastique, feuilles en polyéthylène, feuilles d'aluminium, boîtes de congélation.

Vous trouverez ces produits dans le commerce spécialisé.

Emballages inadaptés :

Papier d'emballage, papier sulfurisé, cellophane, sacs-poubelles et sachets d'achat déjà utilisés.

Moyens d'obturation adaptés :

Caoutchoucs, clips en plastique, ficelles, rubans adhésifs résistants au froid, ou assimilés.

Vous pouvez sceller les sachets ou boudins en polyéthylène avec une thermosoudeuse.

Durée de conservation des produits surgelés

La durée de conservation dépend de la nature des produits alimentaires.

Si la température a été réglée sur -18 °C :

- Poisson, charcuterie, plats précuisinés, pâtisseries : jusqu'à 6 mois
- Fromage, volaille, viande : jusqu'à 8 mois
- Fruits et légumes : jusqu'à 12 mois

Supercongélation

Il faudrait congeler les produits alimentaires à cœur le plus rapidement possible afin de préserver leurs vitamines, leur valeur nutritive, leur aspect et leur goût.

Pour empêcher une hausse indésirable de la température, allumez la supercongélation quelques heures avant de ranger des produits alimentaires frais.

4 à 6 heures suffisent généralement.

L'appareil fonctionne désormais en permanence. Le compartiment congélateur atteint une température très basse.

S'il faut utiliser la capacité de congélation maximale, il faut enclencher la supercongélation 24 heures avant de ranger des produits frais.

Si vous ne voulez congeler que de petites quantités d'aliments (jusqu'à 2 kg), vous n'avez pas besoin d'enclencher la supercongélation.

Remarque

Si vous avez activé la supercongélation, l'appareil peut fonctionner plus bruyamment.

Allumage et extinction

Fig. 2

Appuyez sur la touche 1 de réglage de la température jusqu'à que la mention super 2 s'allume.

La supercongélation se désactive automatiquement au bout de 2½ jours.

Décongélation des produits

Selon la nature et l'utilisation des produits surgelés, vous pouvez choisir entre plusieurs possibilités :

- à la température ambiante,
- dans le réfrigérateur,
- dans le four électrique, avec / sans ventilateur à air chaud,
- dans le micro-ondes.



Attention

Ne remettez pas à congeler des produits alimentaires partiellement ou entièrement décongelés. Vous pourrez les recongeler uniquement après les avoir transformés en plats pré-cuisinés (par cuisson ou rôtissage).

Dans ce cas, consommez-les nettement avant la date limite de conservation.

Equipement

Vous pouvez modifier suivant besoin l'agencement des clayettes du compartiment intérieur et l'agencement des récipients en contre-porte :

- Tirez la clayette en avant, abaissez-la et faites-la basculer latéralement pour l'extraire. Fig. 5
- Soulevez le rangement en contre-porte puis extrayez-le. Fig. 4

Équipement spécial

(selon le modèle)

Accumulateur de froid

Vous pouvez retirer l'accumulateur de froid pour emporter des aliments par ex. dans un sac isotherme et les conserver ainsi au frais pendant une durée limitée.

Lors d'une coupure de courant ou en cas de panne, l'accumulateur de froid retarde le réchauffement des produits congelés stockés dans l'appareil.

Bac à glaçons

Fig. 7

1. Remplissez le bac à glaçons aux $\frac{3}{4}$ d'eau potable puis rangez-le dans le compartiment congélateur.
2. Si le bac est resté collé dans le compartiment congélateur, n'utilisez qu'un instrument émoussé pour le décoller (un manche de cuiller par ex.).
3. Pour enlever les glaçons du bac, passez-le brièvement sous l'eau du robinet ou déformez légèrement le bac.

Clayette à bouteilles

Fig. 8

Cette clayette permet de ranger des bouteilles de manière sûre.

Bac à légumes avec régulateur d'humidité

Fig. 6

Pour créer un climat de stockage optimal pour les légumes et les fruits, vous pouvez, en fonction de la quantité rangée, régler l'humidité de l'air qui règnera dans le bac à légumes:

- petites quantités des fruits et légumes – humidité de l'air élevée
- grandes quantités des fruits et légumes – humidité de l'air réduite

Remarques

- Il est recommandé de ranger les fruits (par exemple ananas, bananes, papayes, agrumes) et légumes (par exemple les aubergines, concombres, courgettes, poivrons, tomates et pommes de terre) qui craignent le froid hors du réfrigérateur à des températures entre +8 °C à +12 °C pour en préserver la qualité et l'arôme.
- Suivant la quantité et la nature des produits stockés, de l'eau peu se condenser dans le bac à légumes. Retirez l'eau condensée avec un essuie-tout sec et ajustez l'humidité de l'air dans le bac à légumes via le régulateur d'humidité.

Arrêt et remisage de l'appareil

Coupure de l'appareil

Débranchez la fiche mâle du secteur ou ramenez le disjoncteur en position éteinte.

Le groupe frigorifique s'éteint.

Remisage de l'appareil

Si l'appareil doit rester longtemps sans servir :

1. Débranchez la fiche du secteur ou déconnectez le fusible.
2. Nettoyez l'appareil.
3. Laissez les portes de l'appareil ouvertes.

Nettoyer l'appareil

Attention

- Ne nettoyez jamais l'appareil avec de grandes quantités d'eau (par ex. avec un tuyau d'eau).

De l'eau peut pénétrer dans l'appareil et endommager les pièces électriques.

- N'utilisez pas de produit de nettoyage contenant du sable, du chlorure ou de l'acide, ni aucun solvant.
- N'utilisez jamais d'éponges abrasives ou susceptibles de rayer.

Des zones corrodées pourraient apparaître sur les surfaces métalliques.

- Ne nettoyez jamais les clayettes et les bacs au lave-vaisselle.

Ces pièces pourraient se déformer !

L'eau de nettoyage ne doit pas pénétrer dans les zones suivantes :

- Éléments de commande
- Éclairage
- Orifices de ventilation
- Orifices dans la plaque de séparation

Procédez comme suit :

1. Débranchez la fiche du secteur ou déconnectez le fusible.
2. Retirez les produits congelés et stockez-les dans un endroit frais. Posez un accumulateur de froid (si disponible) sur les produits alimentaires.

3. L'eau de rinçage ne doit pas pénétrer dans les éléments de commande, l'éclairage, les ouvertures d'aération ou les ouvertures de la plaque de séparation !

Nettoyez l'appareil avec un chiffon doux, de l'eau tiède et du produit vaisselle à pH neutre.

4. N'essuyez le joint de porte qu'avec de l'eau propre puis séchez-le soigneusement.
5. Après le nettoyage, rebranchez l'appareil.
6. Rangez à nouveau les produits congelés.

Équipement

Pour nettoyer, il est possible de retirer toutes les pièces variables de l'appareil.

Sortir les supports en contre-porte

Fig. **4**

Soulevez les supports et retirez-les.

Retirer les clayettes en verre

Tirez les clayettes en verre à vous puis extrayez-les.

Éclairage (LED)

Votre appareil est équipé d'un éclairage par LED ne demandant pas d'entretien.

Les réparations de cet éclairage sont exclusivement réservées au service après-vente ou à des spécialistes autorisés.

Economies d'énergie

- Placez l'appareil dans un local sec et aérable. Veillez à ce que l'appareil ne soit pas directement exposé aux rayons solaires et qu'il ne se trouve pas à proximité d'une source de chaleur (par ex. radiateur, cuisinière).
Utilisez le cas échéant une plaque isolante.
- Attendez que les plats chauds aient refroidi avant de les ranger dans le compartiment congélateur.
- Déposez le produit congelé dans le compartiment réfrigérateur et profitez de son froid pour refroidir les produits alimentaires.
- N'ouvrez la porte de l'appareil que le plus brièvement possible.
- Pour obtenir la consommation d'énergie la plus faible : respectez la distance latérale minimale par rapport aux murs.
- Ne pas retirer ou déplacer la clayette en verre supérieure.
- N'obstruez pas les grilles d'aération de l'appareil.
- Pour éviter une consommation accrue de courant, nettoyez occasionnellement le dos de l'appareil.
- Pour empêcher que la température des produits surgelés remonte, en cas de coupure de courant ou de dérangement quelconque, posez les accumulateurs de froid dans le tiroir du haut, directement au-dessus des produits alimentaires.

Bruits de fonctionnement

Bruits parfaitement normaux

Remarque

Lorsque la supercongélation est activée, l'appareil peut fonctionner plus bruyamment.

Bourdonnement sourd

Les moteurs tournent (par ex. groupes frigorifiques, ventilateur).

Clapotis, sifflement léger ou gargouillis

Le fluide frigorigène circule dans les tuyaux.

Cliquetis

Le moteur, les interrupteurs ou les électrovannes s'allument / s'éteignent.

Craquement

Le dégivrage automatique a lieu.

Sifflement

Le système NoFrost décongèle, des gouttes d'eau s'évaporent.

Éviter la génération de bruits

L'appareil ne repose pas d'aplomb

Veillez mettre l'appareil d'aplomb à l'aide d'un niveau à bulle. Ajustez ensuite l'horizontalité par les pieds à vis ou placez un objet dessous.

L'appareil touche quelque chose

Eloignez l'appareil de meubles ou d'appareils voisins.

Les bacs ou surfaces de rangement vacillent ou se coincent

Vérifiez les pièces amovibles puis remettez-les en place correctement.

Des bouteilles

ou récipients se touchent

Eloignez légèrement les bouteilles ou récipients les uns des autres.

Remédier soi même aux petites pannes

Avant d'appeler le service après-vente (SAV) :

Vérifiez svp si vous ne pouvez pas remédier vous-même au dérangement à l'aide des instructions qui suivent.

Vous éviterez des dépenses inutiles car le déplacement du technicien du SAV vous sera facturé même pendant la période de garantie.

Dérangement	Cause possible	Remède
La température dévie fortement par rapport au réglage.		Dans certains cas, il suffira d'éteindre l'appareil pendant 5 minutes. Si la température est trop élevée, vérifiez au bout de seulement quelques heures si un rapprochement de la température a eu lieu. Si la température est trop basse, vérifiez à nouveau la température le lendemain.
L'appareil ne refroidit pas.	Coupure de courant.	Vérifiez la présence de courant.
L'éclairage ne fonctionne pas.	Le fusible / disjoncteur a été retiré / se trouve en position éteinte.	Vérifiez le fusible / disjoncteur.
Affichage éteint.	Fiche mâle incorrectement branchée dans la prise de courant.	Vérifiez si la fiche mâle est bien branchée dans la prise de courant.
Une alarme sonore retentit.	L'appareil est ouvert.	Fermer l'appareil.
L'affichage de la température clignote. Fig. 2/3	Dérangement - la température est trop élevée dans le compartiment congélateur. Les produits surgelés risquent de s'abîmer. Les orifices d'entrée et de sortie d'air sont recouverts.	Pour arrêter le clignotement de l'affichage de la température, appuyez sur la touche de réglage de la température. Fig. 2 / 1 L'affichage de la température cesse de clignoter lorsque le compartiment congélateur est assez froid.
	Trop de produits alimentaires ont été rangés à la fois pour les faire congeler.	Ne dépassez pas la capacité de congélation maximale.

Dérangement	Cause possible	Remède
La température régnant dans le compartiment congélateur est trop élevée.	Vous avez ouvert fréquemment l'appareil.	N'ouvrez pas l'appareil inutilement.
	Les orifices d'apport et d'évacuation d'air sont recouverts par des objets faisant obstacle.	Enlevez ces obstacles.
	Vous avez mis une assez grande quantité d'aliments à congeler.	Ne dépassez pas la capacité de congélation maximale.
L'éclairage ne fonctionne pas.	L'éclairage par LED est défectueux.	Voir le chapitre « Éclairage (LED) ».
	L'appareil est restée ouverte trop longtemps. L'éclairage s'éteint au bout d'environ 10 minutes.	Après avoir fermé et ouvert l'appareil, l'éclairage fonctionne à nouveau.
Luminosité réduite des éléments de commande.	Si l'appareil ne sert pas pendant un certain temps, l'affichage sur le bandeau de commande passe en mode Économie d'énergie.	Dès que vous réutilisez l'appareil, par exemple dès que vous ouvrez une porte, l'affichage revient sur sa luminosité normale.
L'appareil ne réfrigère pas, l'affichage de température et l'éclairage intérieur sont allumés.	L'appareil se trouve sur le mode Exposition.	Appuyez sur la touche de réglage de la température Fig. 2/1, pendant 10 secondes, jusqu'à ce qu'une tonalité de confirmation se fasse entendre. Vérifiez au bout d'un certain temps si l'appareil réfrigère.

Dérangement	Cause possible	Remède
La porte du compartiment congélateur est restée longtemps ouverte ; le compartiment congélateur n'atteint plus la température.	L'évaporateur (le générateur de froid) équipant le système NoFrost est tellement givré qu'il ne peut plus se dégivrer de façon entièrement automatique.	<p>Pour dégivrer l'évaporateur, sortez les produits alimentaires dans leurs casiers et rangez-les bien isolés dans un endroit frais.</p> <p>Éteignez l'appareil et éloignez-le du mur. Laissez la porte de l'appareil ouverte.</p> <p>Au bout de 20 minutes environ, l'eau de dégivrage commence à couler dans le bac d'évaporation au dos de l'appareil. Fig. 10</p> <p>Pour éviter dans ce cas que le bac d'évaporation ne déborde, récupérez cette eau à l'aide d'une éponge.</p> <p>L'évaporateur est entièrement dégivré lorsqu'il ne coule plus d'eau de dégivrage dans le bac d'évaporation. Nettoyez le compartiment intérieur. Remettez ensuite l'appareil en service.</p>
L'appareil ne refroidit pas. L'éclairage ne fonctionne pas. L'affichage est éteint.	Coupure de courant	Vérifiez la présence de courant. En cas de panne prolongée, de l'eau s'accumule dans la cuvette d'eau de condensation. Essayez l'eau de condensation avec un chiffon doux.
	Le fusible / disjoncteur a été retiré / se trouve en position éteinte.	Vérifiez le fusible / disjoncteur.
	Fiche secteur incorrectement branchée dans la prise de courant.	Vérifiez si la fiche mâle est bien branchée dans la prise de courant.
De la condensation se forme à la surface de l'appareil et sur les clayettes à l'intérieur de l'appareil.	Les températures ambiantes chaudes et humides renforcent cet effet.	<p>Essayez l'eau avec un chiffon sec et doux.</p> <ul style="list-style-type: none"> ■ Ouvrez l'appareil le plus brièvement possible ■ Veillez à ce que l'appareil soit toujours correctement fermé.

Service après-vente

Pour connaître le service après-vente situé le plus près de chez vous, consultez l'annuaire téléphonique ou le répertoire des services après-vente (SAV). Veuillez indiquer au SAV le numéro de série (E-Nr.) de l'appareil, son numéro de fabrication (FD-Nr.) et son numéro de comptage (Z-Nr.).

Vous trouverez ces renseignements sur la plaque signalétique. Figure **9**

Aidez-nous à éviter les déplacements inutiles et économisez ainsi des suppléments inutiles.

Commande de réparation et conseils en cas de dérangements

Vous trouverez les données de contact pour tous les pays dans l'annuaire ci-joint du service après-vente.

FR	01 40 10 11 00
B	070 222 141
CH	0848 840 040

Instruções de segurança e de aviso

Antes de colocar o aparelho em funcionamento

Deverá ler atentamente as instruções de serviço e de montagem! Delas constam informações importantes sobre instalação, utilização e manutenção do aparelho.

O fabricante não se responsabiliza, se não forem observadas as instruções e avisos constantes das instruções de serviço. Guarde toda a documentação para posterior utilização ou para outro possuidor.

Segurança técnica



Perigo de incêndio

Nos tubos do circuito de refrigeração flui em pequenas quantidades um agente refrigerante (R600a) ecológico mas inflamável. Não prejudica a camada de ozono nem aumenta o efeito estufa. Em caso de fuga do agente refrigerante, este pode ser prejudicial para os olhos ou pode inflamar-se.

Em caso de danos

- Manter o aparelho afastado de chamas ou de fontes de ignição,
- arejar bem o compartimento durante alguns minutos,
- desligar o aparelho e retirar a ficha da tomada,
- contactar os Serviços Técnicos.

Quanto mais agente de refrigeração existir num aparelho, maior tem que ser o espaço onde se encontra o aparelho. Em espaços muito pequenos e havendo uma fuga, pode formar-se uma mistura de gás/ar inflamável.

Por cada 8 gramas de agente de refrigeração, o espaço da instalação tem que ser, no mínimo, de 1 m³. A quantidade de agente refrigerador do seu aparelho vem indicada na chapa de características, que se encontra no interior do aparelho.

Assegurar que o cabo elétrico não fica entalado nem é danificado durante a instalação do aparelho.

Se o cabo eléctrico deste aparelho sofrer algum dano, o mesmo deve ser substituído pelo fabricante, pelo serviço de assistência técnica ou por um técnico igualmente qualificado. Instalações e reparações inadequadas podem acarretar perigos vários para o utilizador.

As reparações no aparelho só devem ser efectuadas pelo fabricante, pelos Serviços Técnicos ou por um técnico igualmente qualificado.

Só devem ser utilizadas peças originais do fabricante. Só com estas peças o fabricante pode garantir que elas satisfazem as exigências de segurança.

Não utilizar tomadas múltiplas, cabos de extensão ou adaptadores.



Perigo de incêndio

Tomadas múltiplas portáteis ou fichas de ligação da corrente portáteis podem sobreaquecer e provocar um incêndio.

Não colocar tomadas múltiplas portáteis nem fichas de ligação da corrente portáteis por trás do aparelho.

Utilização

- Nunca utilizar aparelhos eléctricos dentro do aparelho (p. ex., aquecedores, aparelhos eléctricos para fazer gelados, etc.). Perigo de explosão!
- Nunca descongelar nem limpar o aparelho com um aparelho de limpeza a vapor! O vapor pode atingir os componentes eléctricos e provocar um curto-circuito. Perigo de choque eléctrico!
- Para além das especificações do fabricante, não tomar medidas adicionais para acelerar a descongelação. Perigo de explosão!
- Não utilizar quaisquer objetos pontiagudos ou de arestas vivas para eliminar gelo simples ou em camadas. Poderá, com isso, danificar a tubagem do agente refrigerador. O agente refrigerador, ao libertar-se, pode incendiar-se ou provocar ferimentos nos olhos.
- Não guardar no aparelho produtos com gases propulsores combustíveis (p. ex., latas de spray) nem substâncias explosivas. Perigo de explosão!

- Não utilizar rodapés, gavetas, portas, etc., como plataformas ou zonas de apoio.
 - Para descongelar e limpar, desligar a ficha da tomada ou o fusível de segurança. Puxar pela ficha e não pelo cabo elétrico.
 - Álcool de elevada percentagem só pode ser guardado no aparelho, se em recipiente hermeticamente fechado e em posição vertical.
 - Ter cuidado para não sujar as peças de plástico e o vedante da porta com óleo ou gordura. As peças de plástico e o vedante da porta podem, de contrário, tornar-se porosos.
 - Nunca tapar ou obstruir as aberturas para admissão e evacuação de ar.
 - Não guardar no compartimento de congelação líquidos em garrafas ou latas (especialmente bebidas gaseificadas). As garrafas e as latas podem explodir!
- **Evitar riscos para crianças e pessoas suscetíveis:**

Suscetíveis a riscos são as crianças e as pessoas com limitações físicas, psíquicas ou mentais, bem como pessoas que não tenham conhecimentos suficientes sobre o comando seguro do aparelho.

Certifique-se de que crianças e pessoas suscetíveis compreenderam os riscos existentes.

Uma pessoa responsável pela segurança deve instruir e supervisionar crianças e pessoas suscetíveis a riscos. Só permitir a utilização do aparelho a crianças com mais de 8 anos.

Supervisionar as crianças em caso de trabalhos de limpeza e manutenção.

Nunca deixe que crianças brinquem com o aparelho.
 - Nunca leve imediatamente à boca alimentos congelados acabados de retirar do compartimento de congelação. Perigo de queimaduras provocadas pelo frio!

- Deverá evitar o contacto prolongado das mãos com os alimentos congelados, o gelo ou com a tubagem do evaporador, etc.
Perigo de queimaduras provocadas pelo frio!

Crianças em casa

- Não deixar a embalagem e seus componentes ao alcance de crianças.
Perigo de asfixia provocado por cartões dobráveis e películas!
- O aparelho não é um brinquedo para crianças!
- No caso de aparelhos com fechadura:
Guardar a chave fora do alcance das crianças!

Determinações gerais

O aparelho destina-se

- à refrigeração e congelação de alimentos,
- à preparação de gelo.

Este aparelho está preparado para utilização doméstica em casas particulares e para o ambiente doméstico.

O circuito de frio foi testado quanto à sua estanquidade.

Este aparelho cumpre as disposições de segurança aplicáveis a aparelhos eléctricos e está livre de interferências.

O aparelho foi concebido para ser utilizado até a uma altitude de 2000 metros acima do nível do mar, no máximo.

Instruções sobre reciclagem

Reciclagem da embalagem

A embalagem protege o seu aparelho de danos no transporte. Os materiais utilizados não são poluentes e são reutilizáveis. Proceda à reciclagem da embalagem de forma compatível com o meio ambiente.

Junto do seu Agente ou dos Serviços Municipalizados poderá informar-se sobre os procedimentos actuais de reciclagem.

Reciclagem dos aparelhos usados

Os aparelhos antigos não são lixo sem qualquer valor! Através duma reciclagem compatível com o meio ambiente, podem ser recuperadas matérias primas valiosas.



Este aparelho está marcado em conformidade com a Directiva 2012/19/UE relativa aos resíduos de equipamentos eléctricos e electrónicos (waste electrical and electronic equipment - WEEE).

A directiva estabelece o quadro para a criação de um sistema de recolha e valorização dos equipamentos usados válido em todos os Estados Membros da União Europeia.



Aviso

Em aparelhos fora de serviço

1. Desligar a ficha da tomada.
2. Cortar o cabo eléctrico e afastá-lo do aparelho com a respectiva ficha.
3. Não retirar as prateleiras e os recipientes, para evitar que as crianças trepem com a ajuda destes.
4. Não deixar que as crianças brinquem com o aparelho fora de serviço.
Perigo de asfixia!

Os aparelhos de frio contêm agente refrigerador e, no isolamento, gases. O agente refrigerador e os gases devem ser eliminados correctamente. Ter cuidado para não danificar a tubagem do agente refrigerador até à sua reciclagem correcta.

O fornecimento inclui

Depois de desembulhar o aparelho, há que verificar todas as peças quanto eventuais danos de transporte.

Para reclamações, dirija-se ao Agente, onde comprou o aparelho ou à nossa Assistência Técnica.

O fornecimento é constituído pelas seguintes peças:

- Aparelho Solo
- Equipamento (dependente do modelo)
- Saco com material para a montagem
- Instruções de serviço
- Instruções de montagem
- Folheto sobre Assistência Técnica
- Anexo sobre garantia
- Informações sobre consumo de energia e ruídos

Local da instalação

Como local de instalação, recomenda-se um local seco e com boa ventilação. O local de instalação não deve sofrer a irradiação directa dos raios solares, nem estar próximo de uma fonte de calor, como fogão, corpo de aquecimento etc. Se a instalação junto de uma fonte de calor for inevitável, utilizar uma placa de isolamento adequada ou manter as seguintes distâncias mínimas em relação à fonte de calor:

- Em relação a fogões eléctricos e a gás 3 cm.
- Em relação a fogões a óleo ou a carvão 30 cm.

O pavimento no local da instalação não pode ceder, se necessário, reforçá-lo. Compensar as eventuais irregularidades do chão com calços.

Distância em relação à parede

Colocar o aparelho de modo que esteja garantido um ângulo de abertura da porta de 90°.

Montar o distanciador da parede

Montar o distanciador em relação à parede, para atingir o consumo de energia indicado para o aparelho. Uma distância reduzida em relação à parede não limita o aparelho quanto ao seu funcionamento. O consumo de energia pode aumentar insignificante.

Distância da parede traseira

A distância de 75 mm não deve ser ultrapassada.

Alinhar o aparelho

Colocar o aparelho no local previsto e alinhá-lo. O aparelho tem que ficar firme e nivelado. As irregularidades no chão devem ser compensadas através dos dois pés roscados existentes na parte frontal do aparelho. Para ajustar os pés roscados, utilizar uma chave de parafusos.

Indicação

O aparelho tem que ficar na vertical. Alinhar o aparelho com a ajuda de um nível de bolha de ar.

Ter em atenção a temperatura ambiente e a ventilação

Temperatura ambiente

O aparelho foi concebido para uma determinada classe climática.

Dependendo da classe climática, o aparelho pode funcionar com as seguintes temperaturas ambiente.

A classe climática encontra-se na chapa de características, Fig. 9.

Classe climática	Temperatura ambiente permitida
SN	+10 °C até 32 °C
N	+16 °C até 32 °C
ST	+16 °C até 38 °C
T	+16 °C até 43 °C

Indicação

O aparelho está completamente operacional dentro dos limites da temperatura ambiente da classe climática indicada. Se um aparelho da classe climática SN for operado a temperaturas ambientes mais baixas, podem ser excluídos danos no mesmo até uma temperatura de +5 °C.

Ventilação

Fig. 4

O ar aquece na parede traseira e nas paredes laterais do aparelho. O ar aquecido tem que poder ser expelido sem impedimentos. De contrário, a máquina de frio tem que trabalhar mais. Isto aumentará o consumo de energia. Por isso: Não tapar nem obstruir as aberturas de ventilação!

Ligar o aparelho

Depois do aparelho estar instalado, dever-se-á esperar, pelo menos, 1 hora, antes de pôr o aparelho a funcionar. Durante o transporte, pode acontecer que o óleo existente no compressor se tenha infiltrado no sistema de frio.

Antes da primeira colocação em funcionamento, deverá limpar o interior do aparelho (ver «Limpeza do aparelho»).

Ligação elétrica

A tomada deve situar-se junto do aparelho e ficar facilmente acessível, depois da instalação do aparelho.

Aviso

Perigo de choque eléctrico!

Caso o comprimento do cabo eléctrico não seja suficiente, não utilize em circunstância alguma tomadas múltiplas ou cabos de extensão. Em vez disso, entre em contacto com o serviço de assistência técnica para que lhe indiquem alternativas.

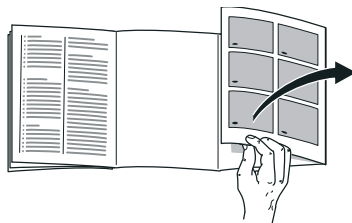
O aparelho está em conformidade com a classe de protecção I. Ligar o aparelho a uma tomada de corrente alterna de 220-240 V/50 Hz instalada de acordo com as normas e com condutor de protecção. A tomada de corrente tem que estar protegida por um fusível de 10 até 16 A. No caso de aparelhos que vão funcionar em países fora da Europa, verifique se a tensão e o tipo de corrente indicados coincidem com os valores da rede eléctrica. Estas indicações constam da placa de características, fig **9**.

Aviso

O aparelho não deve, de forma alguma, ser ligado a uma tomada electrónica de poupança de energia.

Para utilização dos nossos aparelhos podem ser usados conversores de condução de rede e de condução sinusoidal. Conversores condutores de rede são utilizados em instalações fotovoltaicas, que são directamente ligadas à rede eléctrica pública. Em caso de soluções em forma de ilha (por ex. no caso de barcos ou de cabanas de montanha), que não dispõem de qualquer ligação à rede pública, devem ser utilizados conversores de condução sinusoidal.

Familiarização com o aparelho



Favor desdobrar a última página com as ilustrações. Estas instruções de serviço aplicam-se a vários modelos.

O equipamento dos vários modelos pode variar.

São, por isso, possíveis diferenças nas imagens.

Fig. **1**

* Não existente em todos os modelos.

- | | |
|-----|---------------------------------------|
| A | Zona de congelação |
| B | Zona de refrigeração |
| 1–4 | Elementos de comando |
| 5 | Iluminação (LED) |
| 6 | Gaveta de congelação rápida |
| 7* | Acumulador de frio |
| 8 | Orifício para a água de descongelação |
| 9* | Prateleira da porta |
| 10 | Regulador de temperatura |
| 11* | Prateleiras para garrafas |
| 12 | Prateleiras na zona de refrigeração |
| 13 | Gaveta de legumes |
| 14 | Pés de enroscar |
| 15 | Prateleira para frascos |
| 16 | Prateleira para garrafas grandes |

Elementos de comando

Fig. 2

- 1 **Tecla de regulação de temperatura**
Com esta tecla, é regulada a temperatura pretendida.
- 2 **Indicação «super» (zona de congelação)**
Ela só fica iluminada, se a supercongelação estiver a funcionar.
- 3 **Indicadores de temperatura zona de congelação**
Os dígitos junto à barra luminosa correspondem às temperaturas da zona de congelação em °C.
- 4 **Indicação «eco mode»**
É realçada quando o modo eco está ligado.

Ligar o aparelho

Figura 2

1. Introduzir a ficha na tomada.
2. O aviso sonoro soa. A indicação de temperatura 3 está a piscar.
3. Premir a tecla de regulação de temperatura 1. O aviso sonoro desliga-se.

Se a zona de congelação tiver atingido a temperatura regulada, a indicação de temperatura 3 fica acesa.

Recomendam-se as seguintes regulações de fábrica:

- Zona de refrigeração: regulação média
- Zona de congelação: -18 °C

Conserve alimentos delicados na zona de refrigeração.

Indicações sobre funcionamento

- Depois do aparelho ligado, pode demorar horas até que as temperaturas reguladas sejam atingidas.
- Graças ao sistema NoFrost totalmente automático, não há formação de gelo na zona de congelação. Deixa, assim, de ser necessária a sua descongelação.
- As áreas frontais do exterior do aparelho ficam parcial e ligeiramente aquecidas, o que impede a formação de condensação na zona do vedante da porta.
- Se não conseguir abrir a porta da zona de congelação, imediatamente após a ter fechado, deverá aguardar um momento até que seja compensado o vácuo formado entretanto.

Regular a temperatura

Zona de refrigeração

Rodar o regulador de temperatura, fig. 1/10, para a posição pretendida.

Recomendamos a regulação na marcação.

Ao mudar a regulação no sentido dos ponteiros do relógio, as temperaturas na zona de refrigeração tornam-se mais frias.

Com uma temperatura ambiente inferior a 16 °C, regular o aparelho para uma temperatura ligeiramente mais quente. Com uma temperatura ambiente superior a 32 °C, regular o aparelho para uma temperatura ligeiramente mais fria.

Seleccionar uma regulação muito fria apenas temporariamente, no caso de:

- abertura frequente da porta,
- colocação de grande quantidade de alimentos na zona de refrigeração.

Zona de congelação

A temperatura é regulável de -18 °C a -24 °C.

Premir a tecla de regulação de temperatura 1 tantas vezes até que fique regulada a temperatura pretendida para a zona de congelação.

O valor regulado em último lugar fica memorizado. A temperatura regulada é mostrada na indicação de temperatura 3.

Funções de alarme

Fig. **2**

Alarme da porta

O alarme da porta (som contínuo) dispara, se a porta do aparelho estiver aberta por tempo superior a um minuto. La alarma acústica se desactiva cerrando la puerta.

Alarme de temperatura

O alarme de temperatura dispara, quando a temperatura está demasiado alta na zona de congelação e os alimentos correrem em perigo.

A indicação de temperatura, Fig. **2**/3, está a piscar.

O alarme pode disparar sem perigo para os alimentos:

- na colocação do aparelho em funcionamento,
- quando se coloca grande quantidade de alimentos frescos,
- no caso de porta da zona de congelação aberta durante demasiado tempo.

Indicação

Não voltar a congelar alimentos descongelados ou que iniciaram a descongelação. Só depois de cozinhados, é que estes alimentos podem voltar a ser congelados.

Não utilizar mais o prazo máximo de conservação.

«eco»

Com a função «eco», poderá comutar para o funcionamento com economia de energia.

O aparelho regula-se, automaticamente, para as seguintes temperaturas:

- Zona de congelação: - 16 °C

Ligar a função «eco»

Premir a tecla de regulação de temperatura 1 tantas vezes até que fique realçada a indicação «eco».

Desligar o alarme

Fig. 2

Premir a tecla de regulação de temperatura 1, para desligar o aviso sonoro.

Capacidade útil

As indicações sobre capacidade útil estão indicadas na placa de características do seu aparelho.

Fig. 9

Zona de refrigeração

A zona de refrigeração é o local ideal para a conservação de carne, enchidos, peixe, lacticínios, ovos, refeições prontas e produtos de pastelaria.

Ter em atenção ao colocar alimentos

Indicação

Obtém-se a melhor potência de refrigeração se a prateleira de vidro superior permanecer na sua posição.

- Conservar alimentos frescos e em boas condições. Assim, a qualidade e a frescura são conservadas por mais tempo.
- No caso de produtos prontos e de artigos refrigerados, deve ser observada a data mínima de validade indicada pelo fabricante.
- Para manter o aroma, a cor e a frescura, os alimentos devem ser bem embalados ou tapados. Assim evitam-se a transmissão de sabores e as mudanças de cor das peças de plástico na zona de refrigeração.

- Deixar arrefecer alimentos e bebidas, antes de os arrumar no aparelho.

Indicação

Não bloquear as aberturas de ventilação na zona de refrigeração com alimentos, para não prejudicar a circulação de ar. Alimentos colocados à frente das aberturas de ventilação podem congelar devido à saída de ar frio.

Indicação

Evitar o contacto entre os alimentos e a parede do fundo. A circulação de ar ficará, assim, prejudicada.

Os alimentos ou as embalagens podem congelar na parede do fundo.

Ter em atenção as áreas de frio dentro da zona de refrigeração

Devido à circulação de ar dentro da zona de refrigeração, surgem diferentes áreas de frio:

- A zona mais fria fica situada entre a gaveta de legumes e a prateleira de vidro imediatamente acima, bem como em frente às aberturas de saída de ar.

Indicação

Na zona mais fria, poderá conservar alimentos sensíveis (por ex. peixe, carnes frias, carne).

- A zona mais quente situa-se na parte superior da porta.

Indicação

Na zona mais quente, poderá guardar, por exemplo, queijo duro e manteiga. O queijo duro pode assim continuar a desenvolver o seu aroma, a manteiga mantém-se fácil de barrar.

Gaveta de legumes

Fig. 11/13

Com humidade do ar elevada os legumes de folha mantêm-se frescos durante mais tempo. Legumes e frutos devem ser conservados com uma humidade do ar ligeiramente mais baixa.

A humidade do ar na gaveta de legumes está dependente da quantidade de alimentos guardados.

Indicação

Uma humidade do ar demasiado elevada pode provocar gotas de água e, devido a isso, putrefacção.

Zona de congelação

Utilização da zona de congelação

- Para a conservação de alimentos ultracongelados.
- Para produção de cubos de gelo.
- Para congelação de alimentos.

Indicação

É importante verificar, se a porta da zona de congelação fica bem fechada. Com a porta aberta, os alimentos descongelam. O compartimento de congelação forma muito gelo. Além disso: Verifica-se um desperdício de energia, devido ao seu consumo elevado!

Capacidade de congelação

Os dados sobre a capacidade máxima de congelação podem ser encontrados na chapa de características. Figura 9

Congelação e conservação

Compra de alimentos ultracongelados

- A embalagem não deve estar danificada.
- Dar atenção à data de validade.
- A temperatura na arca congeladora da loja deve ser de $-18\text{ }^{\circ}\text{C}$ ou inferior.
- Se possível, transportar os alimentos ultracongelados num saco térmico e arrumá-los rapidamente na zona de congelação.

Ao arrumar alimentos, ter atenção

Quantidades maiores de alimentos devem ser congeladas na gaveta de congelação rápida. Aí, os alimentos serão congelados de forma especialmente rápida e, conseqüentemente, mais cuidadosa.

Alimentos já congelados não devem entrar em contacto com os alimentos frescos, na fase de congelação.

Congelação de alimentos frescos

Para congelação, deverá utilizar sempre alimentos frescos e em perfeito estado.

Para que o valor nutricional, o aroma e a cor se mantenham o melhor possível, os legumes devem ser branqueados, antes da sua congelação. No caso de beringelas, pimentos, courgetes e espargos não é necessário o branqueamento.

Nas livrarias poderá encontrar literatura sobre congelação e branqueamento.

Indicação

Cuidado para que os alimentos a congelar não entrem em contactos com os alimentos já congelados.

- Alimentos adequados para congelação:
Bolos, peixe e frutos do mar, carne, caça, aves, legumes, fruta, ervas aromáticas, ovos sem casca, lacticínios, como queijo, manteiga e requeijão, refeições prontas e restos de comida, como sopas, guisados, peixe e carne cozinhados, refeições com batata, soufflés e doces.
- Alimentos não adequados para congelação:
Legumes habitualmente consumidos crus, como saladas de folha ou rabanetes, ovos com casca, uvas, maçãs inteiras, peras e pêssegos, ovos bem cozidos, iogurt, leite gordo, natas azedas, crème fraîche e maionese.

Embalagem dos alimentos congelados

Embalar os alimentos hermeticamente, para que não percam o sabor nem sequem.

1. Introduzir os alimentos na embalagem.
2. Expelir o ar para o exterior.
3. Fechar a embalagem hermeticamente.
4. Etiquetar a embalagem com o conteúdo e a data de congelação.

Material adequado para embalagem:

Película de plástico, manga de polietileno, folha de alumínio, caixas próprias para congelação. Estes produtos podem ser encontrados no comércio especializado.

Material não adequado para embalagem:

Papel de embrulho, papel de pergaminho, celofane, sacos do lixo e sacos de compras usados.

Adequado para fechar:

Elásticos, clips de plástico, fios, fita adesiva resistente ao frio, entre outros.

Sacos e mangas de polietileno podem ser fechados com um aparelho de selagem de sacos.

Prazo de validade dos alimentos congelados

O prazo de validade depende do tipo de alimentos.

Com uma temperatura de $-18\text{ }^{\circ}\text{C}$:

- Peixe, charcutaria, refeições prontas, bolos:
até 6 meses
- Queijo, aves, carne:
até 8 meses
- Legumes, fruta:
até 12 meses

Supercongelação

Os alimentos devem congelar até ao núcleo o mais rapidamente possível, para que conservem vitaminas, valores nutritivos, aspecto e sabor.

Ligue a supercongelação algumas horas antes de inserir os alimentos no aparelho, para evitar uma subida indesejada da temperatura.

Em geral, são suficientes 4–6 horas antes.

Depois de ligado, o aparelho trabalha continuamente e na zona de congelação é atingida uma temperatura muito baixa.

Se tiver que ser utilizada a capacidade máxima de congelação, a supercongelação deve ser activada 24 horas antes da colocação dos produtos frescos.

Pequenas quantidades de alimentos (até 2 kg) podem ser congeladas, sem supercongelação.

Indicação

Se a supercongelação estiver ligada, os ruídos de funcionamento podem ser mais elevados.

Ligar e desligar

Fig. 2

Premir a tecla de regulação 1 de regulação de temperatura tantas vezes até que fique iluminada a indicação super 2.

A Supercongelação desliga automaticamente, após 2½ dias.

Descongelação dos alimentos

Dependendo do tipo e da fim a que se destina o alimento, podem ser escolhidas as seguintes possibilidades:

- à temperatura ambiente
- no frigorífico
- no forno eléctrico, com/sem ventilação de ar quente
- no micro-ondas



Atenção

Não voltar a congelar alimentos descongelados ou que iniciaram a descongelação. Só depois de cozinhados, é que estes alimentos podem voltar a ser congelados.

Não utilizar mais o prazo máximo de conservação dos alimentos.

Equipamento

As prateleiras interiores e as prateleiras da porta podem ser mudadas de posição, se necessário:

- Puxar a prateleira para a frente, rebaixar e deslocá-la lateralmente inclinada para fora. Fig. **5**
- Elevar e retirar as prateleiras e suportes da porta. Fig. **4**

Equipamento especial

(não existente em todos os modelos)

Acumulador de frio

O acumulador de frio pode ser retirado para a manutenção temporária de frio de alimentos, por ex. numa mala térmica.

Em caso de falha de energia ou de avaria, o acumulador de frio retarda o aquecimento dos alimentos congelados guardados.

Cuvete de gelo

Fig. **7**

1. Encher a cuvette do gelo até $\frac{3}{4}$ com água potável e colocá-la na zona de congelação.
2. Se a cuvette estiver agarrada, utilizar apenas um objecto rombo para a soltar (cabo de uma colher).
3. Para soltar os cubos de gelo, colocar a cuvette sob água corrente e trocê-la ligeiramente.

Prateleiras para garrafas

Fig. **8**

Na prateleira para garrafas, podem ser arrumadas garrafas com segurança.

Gaveta de legumes com regulador de humidade

Fig. **6**

Para criação do clima ideal de conservação para legumes e fruta, a humidade do ar dentro da gaveta de legumes pode ser regulada em função da quantidade de alimentos armazenados:

- pequena quantidade de fruta e legumes – humidade do ar elevada
- grande quantidade de fruta e legumes – humidade do ar baixa

Indicações

- Fruta (p. ex., ananás, banana, papaia e citrinos) e legumes (p. ex., beringelas, pepinos, curgetes, pimentos, tomates e batatas) sensíveis ao frio devem ser armazenados fora do frigorífico a temperaturas de aproximadamente +8 °C a +12 °C, de modo a manterem a qualidade e o aroma ideais.
- Conforme a quantidade e o produto armazenados, pode formar-se água de condensação na gaveta de legumes. Remover a água de condensação com um pano seco e ajustar a humidade do ar na gaveta de legumes com o regulador de humidade.

Desligar e desactivar o aparelho

Desligar o aparelho

Desligar a ficha da tomada ou os fusíveis.

A máquina de frio desliga.

Desativar o aparelho

Se o aparelho não for utilizado por um longo período de tempo:

1. Retirar a ficha da tomada ou desligar o disjuntor.
2. Limpe o aparelho.
3. Deixar a porta do aparelho aberta.

Limpeza do aparelho

Atenção

- Nunca limpar o aparelho com uma grande quantidade de água (por ex. da mangueira da água).

A água pode entrar no aparelho e danificar as peças elétricas.

- Não utilizar quaisquer produtos de limpeza e solventes com teor abrasivo, de cloro ou ácidos.
- Não utilizar esponjas abrasivas ou ásperas.

Nas superfícies metálicas poderia formar-se corrosão.

- Não limpar prateleiras ou recipientes na máquina de lavar loiça. As peças podem ficar deformadas!

A água de limpeza não pode chegar às seguintes áreas:

- Elementos de comando
- Iluminação
- Aberturas de ventilação
- Aberturas na placa divisória

Proceda do seguinte modo:

1. Retirar a ficha da tomada ou desligar o disjuntor.
2. Retirar os alimentos congelados e colocá-los em local fresco. Colocar o acumulador de frio (se existente) sobre os alimentos.
3. A água da limpeza não deve atingir os elementos de comando, a iluminação, as aberturas de ventilação, nem as aberturas da placa divisória.
Limpar o aparelho com um pano macio, água morna e um produto de limpeza neutro.
4. Limpar o vedante da porta só com água limpa e depois secar bem.
5. Depois da limpeza, voltar a ligar o aparelho.
6. Voltar a colocar os alimentos congelados.

Equipamento

Para limpeza, todos os componentes variáveis do aparelho podem ser retirados.

Retirar as prateleiras da porta Fig. 4

Elevar e retirar as prateleiras.

Retirar as prateleiras de vidro Puxar as prateleiras de vidro para a frente e retirá-las.

Iluminação (LED)

O seu aparelho está equipado com uma iluminação LED que não carece de manutenção.

Reparações neste tipo de iluminação só devem ser executadas pelos nossos Serviços Técnicos ou por técnicos especializados devidamente autorizados.

Como poupar energia

- Instalar o aparelho em local seco e arejado! O aparelho não deve estar directamente sujeito à acção dos raios solares, nem próximo duma fonte de calor (por ex. radiadores, fogão).
Se necessário, utilizar uma placa isoladora.
- Deixar arrefecer alimentos e bebidas, antes de os arrumar no aparelho.
- Para a descongelação, coloque os alimentos congelados na zona de refrigeração e aproveite o frio dos alimentos congelados para a refrigeração dos alimentos.
- Abrir a porta do aparelho o mínimo tempo possível.
- Para alcançar um consumo mínimo de energia: manter uma pequena distância lateral em relação à parede.
- Não retirar nem deslocar a prateleira de vidro superior.
- Não tapar as aberturas de ventilação.
- Para evitar um maior consumo de electricidade, limpar a parte traseira do aparelho de vez em quando.

- Para evitar que os alimentos comecem rapidamente a aquecer, devido a uma falha de energia ou a uma anomalia, deverá colocar o acumulador de frio na gaveta superior, directamente sobre os alimentos.

Ruídos de funcionamento

Ruídos absolutamente normais

Indicação

Se a supercongelação estiver ligada, os ruídos de funcionamento podem ser mais elevados.

Zumbido

Os motores trabalham (por ex. agregados de frio, ventilador).

Ruídos semelhantes a água a borbulhar ou sus surros

O agente de refrigeração está a circular através dos tubos.

Cliques

Motor, interruptor ou válvulas magnéticas ligam/desligam.

Estalos

Está em curso a descongelação automática.

Silvo

O sistema NoFrost descongela, as gotas de água evaporam.

Evitar ruídos

O aparelho está desnivelado

Favor nivelar o aparelho com a ajuda de um nível de bolha de ar. Utilizar, para isso, os pés de enroscar ou colocar qualquer coisa por baixo.

O aparelho está encostado

Favor afastar o aparelho dos móveis ou aparelhos vizinhos.

Recipientes e prateleiras abanam ou estão presos

Verificar as peças removíveis e voltar a colocá-las no lugar.

Garrafas ou outros recipientes tocam-se

Afastar, ligeiramente, as garrafas e recipientes uns dos outros.

Eliminação de pequenas anomalias

Antes de pedir a intervenção dos Serviços Técnicos:

Deverá verificar, se você mesmo não poderá eliminar a anomalia, com a ajuda das indicações seguintes.

O cliente terá sempre que suportar os custos do nosso técnico, mesmo durante o período de garantia!

Anomalia	Causa possível	Ajuda
A temperatura difere bastante da temperatura regulada.		Para alguns casos, basta desligar o aparelho durante 5 minutos. Se a temperatura estiver demasiado alta, verificar após algumas horas, se houve uma aproximação em relação à temperatura regulada. Se a temperatura estiver demasiado baixa, voltar a verificar a temperatura no dia seguinte.
O aparelho não tem potência de refrigeração.	Falta de energia.	Verificar se há corrente.
A iluminação não está a funcionar.	O fusível está desligado.	Controlar o fusível.
O indicador não acende.	A ficha de ligação à rede não está bem encaixada.	Verificar, se a ficha está bem ligada à tomada.
O aviso sonoro soa.	O aparelho está aberto.	Fechar o aparelho.

Anomalia	Causa possível	Ajuda
A indicação de temperatura está a piscar. Figura 2/3	<p>Anomalia - no compartimento de congelação está demasiado quente.</p> <p>Perigo para os alimentos congelados.</p> <p>As aberturas para ventilação estão tapadas.</p>	<p>Para parar o piscar da indicação de temperatura, premir a tecla de regulação de temperatura. Figura 2/1.</p> <p>A indicação de temperatura também deixa de piscar, se o compartimento de congelação estiver suficientemente frio.</p> <p>Verificar a ventilação.</p>
	Foram colocados demasiados alimentos de uma vez para congelar.	Não exceder a capacidade máxima de congelação.
A temperatura na zona de congelação está demasiado elevada.	<p>Maior frequência na abertura da porta do aparelho.</p> <p>As aberturas de ventilação estão tapadas.</p> <p>Congelação de maior quantidade de alimentos frescos.</p>	<p>Não abrir a porta sem necessidade.</p> <p>Afastar os obstáculos.</p> <p>Não ultrapassar a capacidade máxima de congelação.</p>
A iluminação não está a funcionar.	<p>A iluminação LED está avariada.</p> <p>A porta esteve aberta demasiado tempo.</p> <p>A iluminação desliga passados ca. de 10 minutos.</p>	<p>Ver capítulo «Iluminação (LED)».</p> <p>Depois de fechar e abrir a porta, a iluminação volta a ligar.</p>
Luminosidade reduzida dos elementos de comando.	Se o aparelho não for manipulado durante algum tempo, a indicação do painel de comandos muda para o modo de poupança de energia.	Logo que o aparelho volte a ser utilizado, por ex. abertura de uma porta, o indicador muda, de novo, para a iluminação normal.
O aparelho não refrigera, a indicação de temperatura e a iluminação acendem.	O modo de exposição está ligado.	<p>Manter premida a tecla de regulação de temperatura Fig. 2/1 durante 10 segundos, até se ouvir um som de confirmação.</p> <p>Passado algum tempo, verificar, se o aparelho está a refrigerar.</p>

Anomalia	Causa possível	Ajuda
A porta do congelador esteve aberta durante muito tempo. A temperatura não é atingida.	O evaporador (gerador de frio) no sistema «NoFrost» tem muito gelo acumulado, o que não permite a descongelação automática.	<p>Para descongelar o evaporador, retirar os alimentos congelados com as gavetas e guardá-los bem isolados num local fresco.</p> <p>Desligar o aparelho e afastá-lo da parede. Deixar a porta do aparelho aberta.</p> <p>Passados ca de 20 minutos, a água da descongelação começa a correr para a taça de evaporação, na parte de trás do aparelho. Fig. 10</p> <p>Para se evitar um derrame para fora da taça de evaporação, recolher a água da descongelação com uma esponja.</p> <p>E se já não correr água da descongelação para a tina de evaporação, isso significa que o evaporador está descongelado.</p> <p>Limpar o interior do aparelho. Voltar a colocar o aparelho em funcionamento.</p>
<p>O aparelho não tem potência de refrigeração.</p> <p>A iluminação não funciona.</p> <p>O indicador não acende.</p>	<p>Falha de corrente</p> <hr/> <p>O disjuntor está desligado.</p> <hr/> <p>A ficha de ligação à rede não está bem encaixada.</p>	<p>Verificar se há corrente. Em caso de uma falha de corrente mais prolongada, acumula-se água de descongelação no orifício para a água de descongelação. Limpar a água de descongelação com um pano macio.</p> <hr/> <p>Verificar o disjuntor.</p> <hr/> <p>Verificar se a ficha encaixa bem na tomada.</p>
Na superfície do aparelho e nas prateleiras forma-se água de condensação.	Temperaturas ambiente quentes e húmidas intensificam o efeito.	<p>Limpe a água com um pano macio e seco.</p> <ul style="list-style-type: none"> ■ Abrir o aparelho o mínimo tempo possível ■ Ter atenção para que o aparelho fique sempre bem fechado.

Serviço de Assistência Técnica

Na lista telefónica ou no índice de Postos de Assistência que acompanha o aparelho, encontrará o Posto de Assistência Técnica da sua zona de residência. Indique ao serviço de assistência técnica o número do produto (E-Nr.), o número de fabrico (FD) e o número de contagem (Z-Nr.) do aparelho.

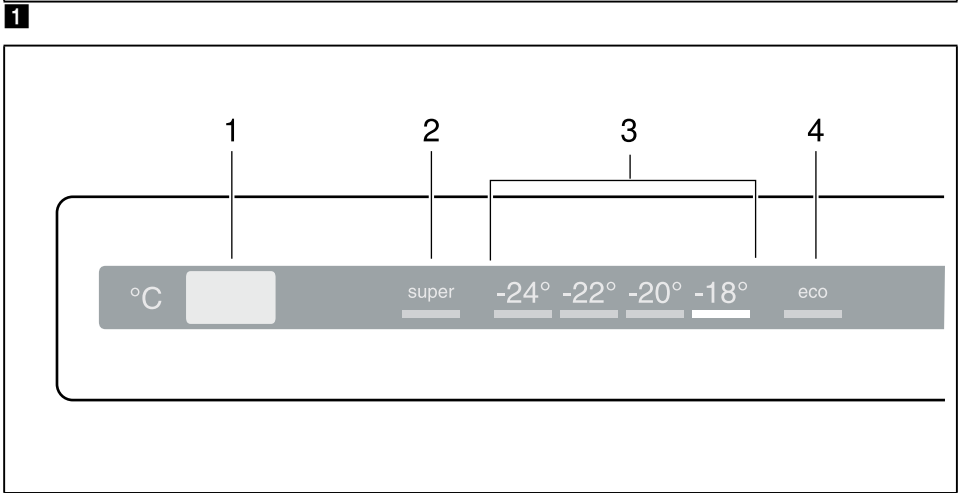
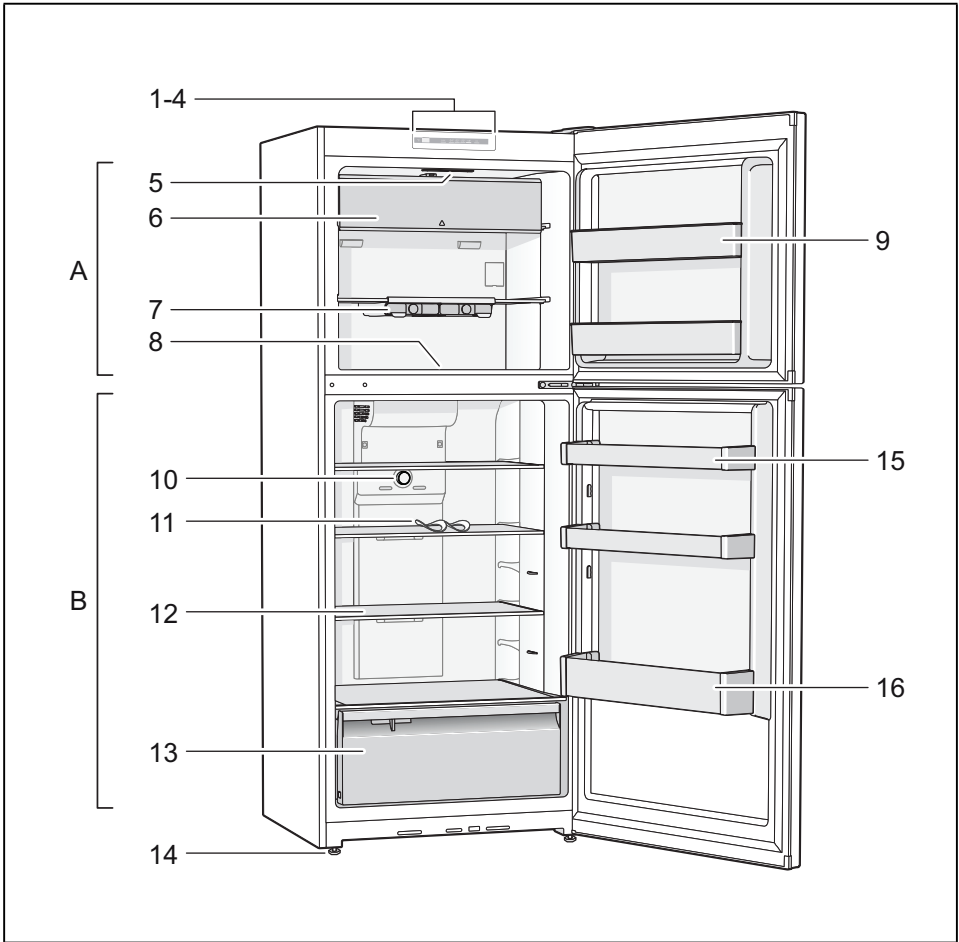
Pode encontrar estas indicações na chapa de características.Fig. 9

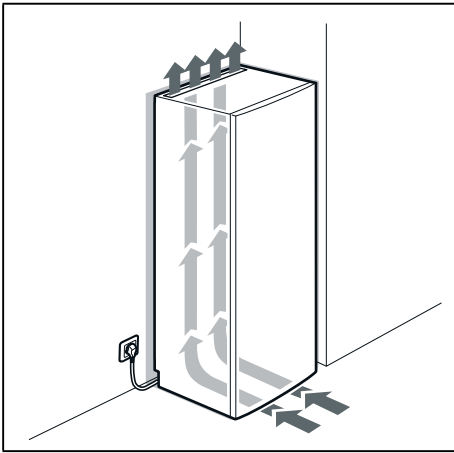
Estes ajudam a evitar deslocações desnecessárias e, conseqüentemente, custos adicionais.

Ordem de reparação e apoio em caso de anomalias

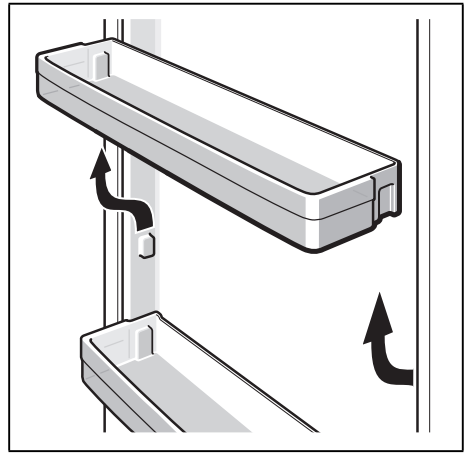
Os dados para contacto com todos os países encontram-se no índice dos Serviços Técnicos anexo.

PT 21 4250 730

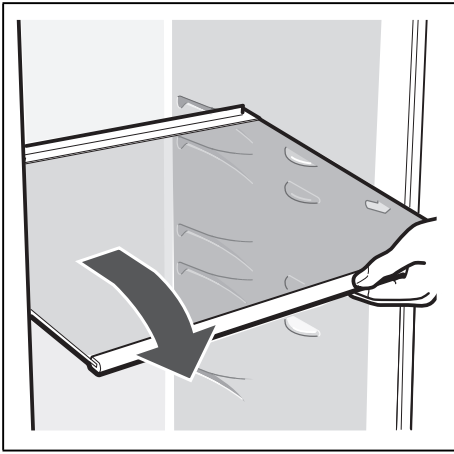




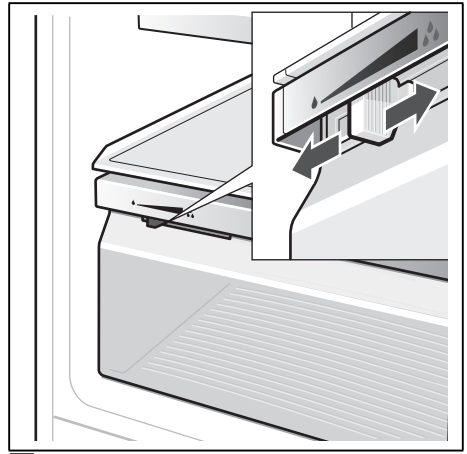
3



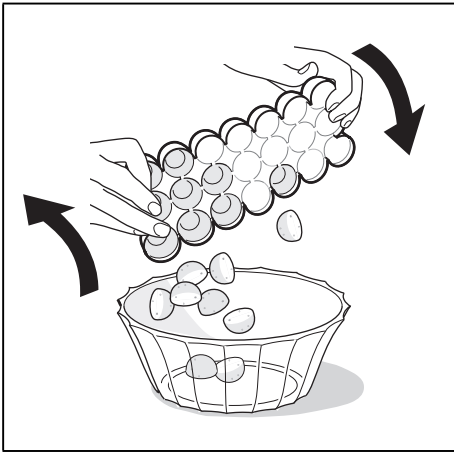
4



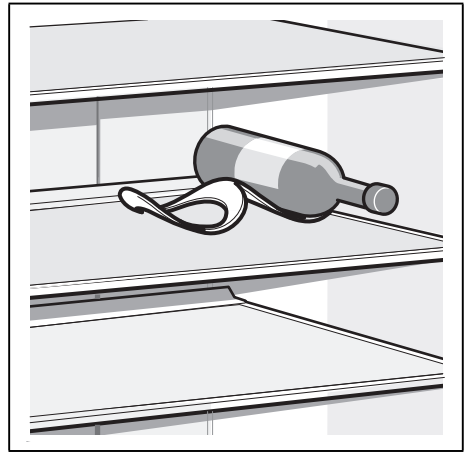
5



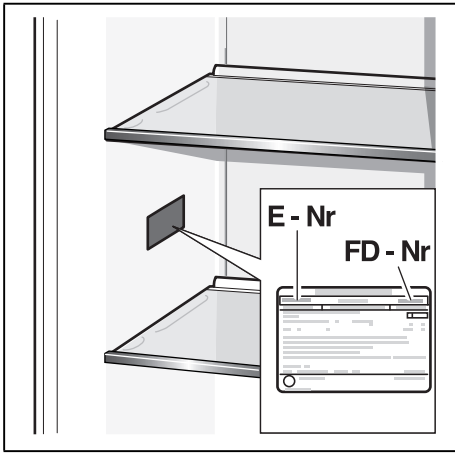
6



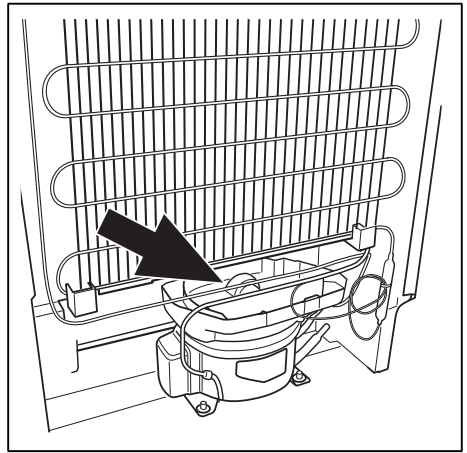
7



8



9



10



Thank you for buying a Bosch Home Appliance!

Register your new device on MyBosch now and profit directly from:

- **Expert tips & tricks for your appliance**
- **Warranty extension options**
- **Discounts for accessories & spare-parts**
- **Digital manual and all appliance data at hand**
- **Easy access to Bosch Home Appliances Service**

Free and easy registration – also on mobile phones:

www.bosch-home.com/welcome



Looking for help? You 'll find it here.

Expert advice for your Bosch home appliances, need help with problems or a repair from Bosch experts.

Find out everything about the many ways Bosch can support you:

www.bosch-home.com/service

Contact data of all countries are listed in the attached service directory.

Bosch Home Appliance Group

P.O. Box 83 01 01

D-81701 Munich

Germany

www.bosch-home.com



8001149158 (9910)

en, fr, pt