

SIEMENS



Freezer GS..D..

siemens-home.bsh-group.com/welcome

en Instruction for Use 3

Register
your
product
online

en Table of Contents

Safety and warning information	3	Thawing frozen food	14
Information concerning disposal	6	Ice dispenser	14
Scope of delivery	6	Interior fittings	16
Ambient temperature and ventilation .	7	Switching off and disconnecting the appliance	16
Connecting the appliance	7	Defrosting	16
Getting to know your appliance	9	Cleaning the appliance	17
Switching the appliance on	9	Light (LED)	17
Setting the temperature	10	Tips for saving energy	18
Alarm function	10	Operating noises	18
Usable capacity	11	Eliminating minor faults yourself	19
Freezer compartment	11	Appliance self-test	22
Max. freezing capacity	11	Aqua-Stop guarantee	22
Freezing and storing food	12	Customer service	23
Freezing fresh food	12		
Super freezing	13		

Safety and warning information

Before you switch ON the appliance

Please read the operating and installation instructions carefully! They contain important information on how to install, use and maintain the appliance. The manufacturer is not liable if you fail to comply with the instructions and warnings. Retain all documents for subsequent use or for the next owner.

Technical safety



Fire hazard

The tubes of the refrigeration circuit convey a small quantity of an environmentally friendly but flammable refrigerant (R600a). It does not damage the ozone layer and does not increase the greenhouse effect. If refrigerant escapes, it may injure your eyes or ignite.

If damage has occurred

- Keep naked flames and/or ignition sources away from the appliance,
- thoroughly ventilate the room for several minutes,
- switch off the appliance and pull out the mains plug,
- inform customer service.

The more refrigerant an appliance contains, the larger the room must be in which the appliance is situated. Leaking refrigerant can form a flammable gas-air mixture in rooms which are too small. The room must be at least 1 m³ per 8 g of refrigerant. The amount of refrigerant in your appliance is indicated on the rating plate inside the appliance.

When installing the appliance, ensure that the mains cable is not trapped or damaged.

If the power cord of this appliance is damaged, it must be replaced by the manufacturer, Customer Service or a similarly qualified person. Improper installations and repairs may put the user at considerable risk.

Repairs may be performed by the manufacturer, customer service or a similarly qualified person only.

Only original parts supplied by the manufacturer may be used.

The manufacturer guarantees that only these parts satisfy the safety requirements.

Do not use multiple sockets, extension leads or adapters.



Fire hazard

Portable multiple outlets or power supplies may overheat, causing a fire.

Never leave portable multiple outlets or portable power supplies behind the appliance.

Important information when using the appliance

- Never use electrical appliances inside the appliance (e.g. heaters, electric ice makers, etc.). Risk of explosion!
- Never defrost or clean the appliance with a steam cleaner! The steam may penetrate electrical parts and cause a short-circuit. Risk of electric shock!
- Do not use additional means to accelerate the defrosting process other than those recommended by the manufacturer. Risk of explosion!
- Do not use pointed or sharp-edged implements to remove frost or layers of ice. You might damage the refrigerant tubes. Leaking refrigerant may cause eye injuries or ignite.
- Do not store products which contain flammable propellant (e.g. spray cans) or explosive substances in the appliance. Risk of explosion!
- Do not stand on or lean heavily against the base of the appliance, drawers, doors, etc.
- For defrosting and cleaning, pull out the mains plug or switch off the fuse. Do not pull out the mains plug by tugging on the power cord.
- Store high-percentage alcohol tightly sealed and in an upright position.
- Keep plastic parts and the door seal free of oil and grease. Otherwise, plastic parts and the door seal will become porous.
- Never cover or block the ventilation openings of the appliance.

■ **Avoiding placing children and vulnerable people at risk:**

At risk here are children, people who have limited physical, mental or sensory abilities, as well as people who have inadequate knowledge concerning safe operation of the appliance.

Check that children and vulnerable people have understood the hazards.

A person responsible for safety must supervise or instruct children and vulnerable people who are using the appliance.

Only children aged 8 years and above may use the appliance.

Supervise children while the appliance is being cleaned or maintained.

Never allow children to play with the appliance.

- Do not store bottled or canned liquids (especially carbonated drinks) in the freezer compartment. Bottles and cans may burst!
- Never put frozen food straight from the freezer compartment in your mouth.
Risk of low-temperature burns!

- Avoid prolonged touching of frozen food, ice or the evaporator pipes, etc.
Risk of low-temperature burns!

Children in the household

- Keep children away from packaging and its parts.
Danger of suffocation from folding cartons and plastic film!
- Do not allow children to play with the appliance!
- If the appliance features a lock:
keep the key out of the reach of children!

General regulations

The appliance is suitable

- for freezing food,
- for making ice.

This appliance is intended for use in the home and the home environment.

The refrigeration circuit has been checked for leaks.

This appliance complies with the relevant safety regulations for electrical appliances and is fitted with noise suppression.

This appliance is intended for use up to a maximum height of 2000 metres above sea level.

Information concerning disposal

Disposal of packaging

The packaging protects your appliance from damage during transit. All utilised materials are environmentally safe and recyclable. Please help us by disposing of the packaging in an environmentally friendly manner.

Please ask your dealer or inquire at your local authority about current means of disposal.

Disposal of your old appliance

Old appliances are not worthless rubbish! Valuable raw materials can be reclaimed by recycling old appliances.



This appliance is labelled in accordance with European Directive 2012/19/EU concerning used electrical and electronic appliances (waste electrical and electronic equipment - WEEE). The guideline determines the framework for the return and recycling of used appliances as applicable throughout the EU.

Warning

Redundant appliances

1. Pull out the mains plug.
2. Cut off the power cord and discard with the mains plug.
3. Do not take out the trays and receptacles: children are therefore prevented from climbing in!
4. Do not allow children to play with the appliance once it has spent its useful life. Danger of suffocation!

Refrigerators contain refrigerant and gases in the insulation. Refrigerant and gases must be disposed of professionally. Ensure that tubing of the refrigerant circuit is not damaged prior to proper disposal.

Scope of delivery

After unpacking all parts, check for any damage in transit.

If you have any complaints, please contact the dealer from whom you purchased the appliance or our customer service.

The delivery consists of the following parts:

- Free-standing appliance
- Interior fittings (depending on model)
- Bag containing installation materials
- Operating instructions
- Installation manual
- Customer service booklet
- Warranty enclosure
- Information on the energy consumption and noises

Ambient temperature and ventilation

Ambient temperature

The appliance is designed for a specific climate class. Depending on the climate class, the appliance can be operated at the following temperatures.

The climate class can be found on the rating plate. Fig. 10

Climate class	Permitted ambient temperature
SN	+10 °C to 32 °C
N	+16 °C to 32 °C
ST	+16 °C to 38 °C
T	+16 °C to 43 °C

Note

The appliance is fully functional within the room temperature limits of the indicated climatic class. If an appliance of climatic class SN is operated at colder room temperatures, the appliance will not be damaged up to a temperature of +5 °C.

Ventilation

Fig. 3

The air on the rear panel of the appliance heats up. Conduction of the heated air must not be obstructed. Otherwise, the refrigerating unit must work harder. This increases power consumption. Therefore: Never cover or block the ventilation openings!

Connecting the appliance

Have a technician install and connect the appliance according to the enclosed installation instructions.

Do not remove the transportation protection devices from the shelves and storage compartments until the appliance has been installed.

Always connect the water before the power.

Apart from statutory national regulations, you should stick to the connection terms relating to the local electricity and water companies.

After installing the appliance, wait at least 1 hour until the appliance starts up.

During transportation the oil in the compressor may have flowed into the refrigeration system.

Before switching on the appliance for the first time, clean the interior of the appliance (see chapter "Cleaning the appliance").

Water connection

The water may be connected only by a competent fitter according to the local regulations of the appropriate water supply company.

The tap must be near the appliance and also freely accessible following installation of the appliance.

The enclosed hose set is 2 metres long.

Caution

Use only the enclosed hose set or a hose set purchased from customer service for connection to the drinking water mains.

Do not use existing or already used hose sets.

Connect the appliance to a drinking water line only:

- Minimum pressure: 0.2 Mpa (2 bar)
- Maximum pressure: 0.8 Mpa (8 bar)
- Pressure over 0.8 MPa (8 bar): install a pressure limiter between drinking water connection and hose set

Caution

Do not kink, crush, modify or cut through the water supply hose! Fig. **8**

Note

The maximum outside diameter of the water mains (without connecting pieces) is 25 mm.

Caution

After dispensing for the first time, check that the connections are tight! Fig. **9**

Electrical connection

The socket must be near the appliance and also freely accessible following installation of the appliance.

Warning

Risk of electric shock!

If the length of the mains cable is inadequate, never use multiple sockets or extension leads. Instead, please contact Customer Service for alternatives.

The appliance complies with protection class I. Connect the appliance to 220–240 V/50 Hz alternating current via a correctly installed socket with protective conductor. The socket must be protected by a 10 A to 16 A fuse.

For appliances operated in non-European countries, check whether the indicated voltage and current type match the values of your electricity supply. This information can be found on the rating plate, Fig. **10**.

Warning

Never connect the appliance to electronic energy saver plugs.

Our appliances can be used with mains and sine-controlled inverters. Mains-controlled inverters are used for photovoltaic systems which are connected directly to the national grid. Sine-controlled inverters must be used for isolated applications (e.g. on ships or in mountain lodges) which are not connected directly to the national grid.

Getting to know your appliance



Please fold out the illustrated last page. These operating instructions refer to several models.

The features of the models may vary.

The diagrams may differ.

Fig. **1**

* Not all models.

- 1-5 Controls
- 6 Light (LED)
- 7 NoFrost System
- 8 Freezer compartment flap
- 9 Glass shelf
- 10 Ice maker/Ice cube container
- 11 Frozen food container (small)
- 12 Frozen food container (large)
- 13* Ice pack
- 14 Height-adjustable feet
- 15 Ice dispenser
- 16 Door ventilation

Controls

Fig. **2**

- 1 **On/Off button**
Serves to switch the whole appliance on and off.
- 2 **“super” button**
Switches super freezing on and off.
Illuminates when super freezing is on.
- 3 **Temperature selection button**
The required temperature is set with this button.
- 4 **Temperature display**
Indicates the set temperature of the freezer compartment.
- 5 **Alarm button**
Used to switch off the warning signal, see chapter “Alarm function”.

Switching the appliance on

Fig. **2**

Switch on the appliance with the On/Off button 1.

A warning signal sounds.

The temperature display 4 flashes and the alarm button 5 is lit.

Press the alarm button 5. The warning signal switches off.

When the freezer compartment has reached the set temperature, the temperature display 4 is lit.

Operating tips

- After the appliance has been switched on, it may take several hours until the set temperature has been reached. Do not put any food in the appliance beforehand.
- The fully automatic NoFrost system ensures that the freezer compartment remains free of ice. Defrosting is not required.
- The sides of the housing are sometimes heated slightly. This prevents condensation in the area of the door seal.
- If the freezer compartment door cannot be immediately re-opened after it has been closed, wait until the resulting low pressure has equalised.

Setting the temperature

Fig. 2

Freezer

The temperature can be set from -16 °C to -26 °C.

Keep pressing temperature setting button 3 until the required freezer compartment temperature is set.

The value last selected is saved. The set temperature is indicated on temperature display 4.

Alarm function

In the following cases an alarm may be actuated.

Door alarm

A warning signal is switched on if the appliance door is left open for a while. Close the door to switch off the warning signal.

Thaw alarm

When the alarm button 5 is pressed, the temperature display indicates for five seconds the warmest temperature reached in the freezer compartment. Then this value is deleted.

The display 4 indicates the set freezer compartment temperature without flashing.

Henceforth the “warmest temperature” will be redefined and saved.

Temperature alarm

The temperature alarm switches on if the freezer compartment is too warm and the frozen food is at risk of thawing.

The temperature display 4 flashes and the alarm button 5 is lit.

The alarm may switch on without any risk to the frozen food:

- when the appliance is switched on,
- when large quantities of fresh food are placed in the appliance,
- if the freezer compartment door is open too long.

Power failure alarm

Fig. 2

The power failure alarm switches on if the freezer or refrigerator compartment is too warm due to a power failure and the food is at risk of thawing.

The alarm button 5 is lit and “PI” appears on the temperature display 4.

Note

Do not refreeze thawing or thawed food. Only ready meals (boiled or fried) may be refrozen.

No longer store the frozen produce for the max. storage period.

Switching off the alarm

Fig. 2

Press the alarm button 5 to switch off the warning signal.

AquaStop Alarm

The integrated AquaStop system switches on when water comes out of the mains pipe. The water supply is automatically interrupted. The “lock” and “on/off” buttons flash. The cooling function of the appliance is not affected.

Switch off the water supply and inform customer service.

Usable capacity

Information on the usable capacity can be found inside your appliance on the rating plate. Fig. 10

Fully utilising the freezer volume

The maximum amount of food can be placed in the freezer by removing all fittings. The food can be stacked directly on the shelves and in the bottom of the freezer compartment.

Note

Valid only for the types KG GSUU37A, KG GSUU39A and KG GSUU41A (see rating plate field “Type”):

To comply with the values indicated on the rating plate, the fitting at the very top must remain in the appliance.

Removing the fittings

- Pull out the frozen food container all the way, lift at the front and remove. Fig. 4
- If appliances feature an ice maker, the ice cube container can be taken out. Fig. 5



Caution

A full ice cube container is heavy!

Freezer compartment

Use the freezer compartment

- To store deep-frozen food.
- To make ice cubes.
- To freeze food.

Note

Ensure that the freezer compartment door has been closed properly. If the door is open, the frozen food will thaw. The freezer compartment will become covered in thick ice. Also: waste of energy due to high power consumption!

Max. freezing capacity

Information about the max. freezing capacity within 24 hours can be found on the rating plate. Fig. 10

Freezing and storing food

Purchasing frozen food

- Packaging must not be damaged.
- Use by the “use by” date.
- Temperature in the supermarket freezer must be -18 °C or lower.
- If possible, transport deep-frozen food in an insulated bag and place quickly in the freezer compartment.

Note when loading products

- Preferably freeze large quantities of food in the top compartment, where food freezes particularly quickly and therefore also gently.
- Do not cover the ventilation slots on the rear panel with frozen food.
- Place the food over the whole area of the compartments or the frozen food containers.

Note

Food which is already frozen must not come into contact with the food which is to be frozen. If required, move the frozen food to the frozen food container.

- To ensure air circulation in the appliance, insert frozen food container all the way.

Freezing smaller amounts of food

How you freeze smaller amounts of food, so that they are frozen solid extremely quickly, can be found in the section Automatic super freezing.

Freezing fresh food

Freeze fresh and undamaged food only.

To retain the best possible nutritional value, flavour and colour, vegetables should be blanched before freezing. Aubergines, peppers, zucchini and asparagus do not require blanching.

Literature on freezing and blanching can be found in bookshops.

Note

Keep food which is to be frozen away from food which is already frozen.

- The following foods are suitable for freezing:
 - Cakes and pastries, fish and seafood, meat, game, poultry, vegetables, fruit, herbs, eggs without shells, dairy products such as cheese, butter and quark, ready meals and leftovers such as soups, stews, cooked meat and fish, potato dishes, soufflés and desserts.
- The following foods are not suitable for freezing:
 - Types of vegetables, which are usually consumed raw, such as lettuce or radishes, eggs in shells, grapes, whole apples, pears and peaches, hard-boiled eggs, yoghurt, soured milk, sour cream, crème fraîche and mayonnaise.

Packing frozen food

To prevent food from losing its flavour or drying out, place in airtight containers.

1. Place food in packaging.
2. Remove air.
3. Seal the wrapping.
4. Label packaging with contents and date of freezing.

Suitable packaging:

Cling wrap, tubular film made of polyethylene, aluminium foil, freezer containers.

These products are available from specialist outlets.

Unsuitable packaging:

Wrapping paper, greaseproof paper, cellophane, bin liners and used shopping bags.

Items suitable for sealing packaged food:

Rubber bands, plastic clips, string, cold-resistant adhesive tape, etc.

Bags and tubular film made of polyethylene (PE) can be sealed with a film heat sealer.

Shelf life of frozen food

Storage duration depends on the type of food.

At a temperature of -18 °C:

- Fish, sausage, ready meals and cakes and pastries:
up to 6 months
- Cheese, poultry and meat:
up to 8 months
- Vegetables and fruit:
up to 12 months

Super freezing

Food should be frozen solid as quickly as possible in order to retain vitamins, nutritional value, appearance and flavour.

The appliance runs constantly when super freezing has been switched on. The freezer compartment temperatures are much lower than in normal operation.

Switching on super freezing

Depending on the amounts of food to be frozen, you can use super freezing in different ways.

Note

When super freezing is switched on, increased operating noises may occur and the super display is lit, Fig. 2/2.

Automatic super freezing

Smaller amounts of food are frozen solid extremely quickly if you freeze them as follows:

- in the second frozen food container from below
- from the outer right
- over a large area

Automatic super freezing automatically switches on when warm food items are placed inside the freezer.

Manual super freezing

Freeze larger quantities of food preferably in the top compartment. This is where food freezes particularly quickly and therefore also gently.

Several hours before placing fresh food in the freezer compartment, switch on super freezing to prevent an unwanted temperature rise.

If the max. freezing capacity is to be used, super freezing must be switched on 24 hours before the fresh products are placed in the freezer compartment.

Keep pressing 3 temperature setting button until 2 super display is lit.

Switching off super freezing

Fig. 2

Keep pressing 3 temperature setting button until the required temperature is displayed.

2 super display goes out.

When super freezing has finished, the appliance automatically switches to normal mode.

- With automatic super freezing: As soon as the smaller amounts of food to be frozen have frozen solid.
- With manual super freezing: After approx. 2½ days.

Thawing frozen food

Depending on the type and application, select one of the following options:

- at room temperature
- in the refrigerator
- in an electric oven, with/without fan assisted hot-air
- in the microwave

Caution

Do not refreeze thawing or thawed food. Only ready meals (boiled or fried) may be refrozen.

No longer store the frozen produce for the max. storage period.

Ice dispenser

The following can be dispensed as required:

- crushed ice,
- ice cubes.

Warning

Never reach into the ice cube dispenser opening! **Risk of injury!**

Caution

Do not place bottles or food in the cube container in order to cool them quickly. The ice maker may block and be damaged.

When switching on, observe the following

The ice dispenser will not function unless the appliance is connected to the water mains and the ice maker is switched on.

When the appliance has been switched on, it takes approx. 24 hours until the first batch of ice cubes are ready.

When using the ice maker for the first time, do not use the first 30-40 ice cubes for reasons of hygiene.

Operating the ice maker

As soon as the freezer compartment has reached its freezing temperature, ice cube production starts. After 2–3 hours the ready ice cubes are automatically discharged into the ice cube container.

Note

The appliance produces more ice if you lower the freezer compartment temperature. This will slightly increase the energy consumption of your appliance.

Occasionally ice cubes will freeze together and block the dispenser:

1. Open the door and check inside whether ice cubes are sticking to the ice and water dispenser.
2. If the ice and water dispenser is not blocked:

Caution

A full ice cube container is heavy!

- Carefully pull out ice cube container and remove ice cubes which are frozen together.

When the ice cube container is full, ice making switches off automatically.

When ice cubes are being made, the buzzing water valve, the water flowing into the ice cube tray and the falling ice cubes can be heard.

All materials used in the drinks dispenser are odourless and tasteless.

If the ice has an aftertaste, this may be caused by:

- Mineral and chlorine content of the drinking water.
- Material of the domestic water line and connection line.
- Freshness of the drinking water. If ice has not been dispensed for a long time, the ice may have a “stale” taste. In this case remove approx. 30-40 ice cubes and throw away.

Dispensing ice

Fig. **6**

Note

The ice maker must be switched on for several hours before ice can be dispensed.

1. Press ice dispenser On/Off button 1 for one second. When the ice dispenser is switched on, the button light is lit.
2. Select ice dispenser button (ice cube 3 or crushed ice 4).
3. Press the glass against the dispenser button until the required volume has been dispensed.

Note

Depending on the amount of ice in the ice cube container, it may take several seconds until ice is dispensed.

Note

The amount of ice produced can be increased by setting the lowest possible temperature in the freezer compartment.

Disconnecting the ice maker

If ice cubes are not to be dispensed for longer than 1 week (e.g. holiday), temporarily disconnect the ice maker to prevent the ice cubes from freezing together.

To disconnect the ice maker:

1. Press ice dispenser On/Off button 1 for one second. The button light is switched off when the ice dispenser is switched off.
2. Remove the ice cube container.

Caution

A full ice cube container is heavy!

3. Empty and clean ice cube container. Re-attach the ice cube container. Ensure that the ice cube container engages with the support.
4. Turn off the water supply.

Switching on again:

1. Switch on water supply again.
2. Press ice dispenser On/Off button 1 for one second. The button is lit when the ice dispenser is switched on. Ice cube production restarts. It takes at least 2 hours until new ice cubes are available.

Note

Do not use the first 30-40 ice cubes for reasons of hygiene.

Switching button lock on/off

Fig. **6**

The button lock prevents the appliance from being operated unintentionally.

Press button lock button 2 for three seconds. The button is lit when the button lock is switched on.

Interior fittings

(not all models)

Frozen food container (large)

Fig. **11**/12

For the storage of large frozen items, e.g. turkey, duck and goose.

Ice pack

Fig. **11**/13*

If a power failure or malfunction occurs, the ice packs can be used to slow down the thawing process. The longest storage time is obtained by placing the ice pack on the food in the top compartment.

The ice packs can also be used to cool food temporarily, e.g. in a cold bag.

Switching off and disconnecting the appliance

Turn off appliance

Fig. **2**

Press the On/Off button 1. Temperature display 4 goes out, refrigeration unit switches off.

Disconnecting the appliance

If you do not use the appliance for a prolonged period:

1. Before switching off, it is most important that you switch the water supply to the appliance off for a few hours.

Caution

The ice maker must remain switched on until the appliance is finally switched off!

2. Remove ice cube container, empty and then re-insert (see “Ice dispenser”).
3. Wait several hours until any ice cubes still in the ice maker have been dispensed into the ice cube container.
4. Remove ice cube container again, empty, clean and then re-insert (see “Ice dispenser”).
5. Switch off the appliance.
6. Pull out mains plug or switch off fuse.
7. Empty and clean the ice cube container (see chapter “Cleaning the appliance”).
8. Clean the appliance.
9. Leave the appliance door open.

Defrosting

Freezer compartment

The fully automatic NoFrost system ensures that the freezer compartment remains free of ice. Defrosting is no longer required.

Cleaning the appliance

Caution

- Do not use abrasive, chloride or acidic cleaning agents or solvents.
- Do not use scouring or abrasive sponges.
The metallic surfaces could corrode.
- Never clean shelves and containers in the dishwasher.
The parts may become deformed!

Note

Approx. 4 hours before cleaning the appliance, switch on super freezing so that the food drops to a very low temperature and can therefore be stored at room temperature for a longer period.

Proceed as follows:

1. Before cleaning: Switch off the appliance.
2. Pull out mains plug or switch off fuse.
3. Take out the frozen food and store in a cool location. Place the ice pack (if enclosed) on the food.
4. Clean the appliance with a soft cloth, lukewarm water and a little pH neutral washing-up liquid. The rinsing water must not run into the light.
5. Wipe the door seal with clear water only and then wipe dry thoroughly.
6. Clean drainage channel in the dispenser unit; to do this, remove cover and clean and dry channel with a cloth.
7. After cleaning reconnect and switch the appliance back on.
8. Put the frozen food back in the freezer compartment.

Interior fittings

All variable parts of the appliance can be taken out for cleaning (see chapter Interior fittings).

Cleaning the ice cube container

If ice cubes have not been dispensed for a prolonged period, they will shrink, have a stale taste and stick together. Therefore, the ice cube container should be cleaned regularly.

Caution

A full ice cube container is heavy.

1. Remove the ice cube container.
2. Pull out the container, empty and clean with lukewarm water.

Note

Do not clean the container by immersing it in water. Water must not get inside the container!

3. Thoroughly dry the container to prevent new ice cubes from sticking.
4. Insert the ice cube container.
Ice cube production continues.

Light (LED)

Your appliance features a maintenance-free LED light.

These lights may be repaired by customer service or authorised technicians only.

Tips for saving energy

- Install the appliance in a dry, well ventilated room! The appliance should not be installed in direct sunlight or near a heat source (e.g. radiator, cooker).
If required, use an insulating plate.
- Do not block the ventilation openings in the appliance.
- Allow warm food and drinks to cool down before placing in the appliance.
- Thaw frozen food in the refrigerator compartment and use the low temperature of the frozen food to cool refrigerated food.
- Open the appliance as briefly as possible.
- Ensure that the freezer compartment door is always closed properly.
- To avoid increased power consumption, occasionally clean the back of the appliance.
- If available:
Fit wall spacers to obtain the indicated energy rating of the appliance (see Installation instructions). A reduced wall gap will not restrict the function of the appliance. The energy rating may then increase slightly.
- The arrangement of the fittings does not affect the energy rating of the appliance.

Operating noises

Quite normal noises

Note

When super freezing is switched on, increased operating noises may occur.

Droning

Motors are running (e.g. refrigerating units, fan).

Bubbling, humming or gurgling noises

Refrigerant is flowing through the tubing or water is flowing into the ice maker.

Clicking

Motor, switches or solenoid valves are switching on/off.

Rumbling

Ready ice cubes from the ice maker are falling into the ice cube container.

Preventing noises

The appliance is not level

Please align the appliance with a spirit level. Use the height-adjustable feet or place packing underneath them.

The appliance is not free-standing

Please move the appliance away from adjacent units or appliances.

Containers or storage areas wobble or stick

Please check the removable parts and re-insert them correctly if required.

Bottles or receptacles are touching each other

Move the bottles or receptacles slightly away from each other.

Eliminating minor faults yourself

Before you call customer service:

Please check whether you can eliminate the fault yourself based on the following information.

Customer service will charge you for advice – even if the appliance is still under guarantee!

Fault	Possible cause	Remedial action
Temperature differs greatly from the set value.		<p>In some cases it is adequate to switch off the appliance for 5 minutes.</p> <p>If the temperature is too high wait a few hours and check whether the temperature has approached the set value.</p> <p>If the temperature is too low check the temperature again the next day.</p>
Displays do not illuminate.	Power failure; the fuse has been switched off; the mains plug has not been inserted properly.	Connect mains plug. Check whether the power is on, check the fuses.
<p>Warning signal sounds, Alarm display lights up.</p> <p>The freezer compartment is too warm! Frozen food is at risk!</p>	<p>Appliance is open.</p> <p>Ventilation openings have been covered.</p> <p>Too much food was placed in the freezer compartment at once.</p>	<p>To switch off the warning signal, press the Alarm button. Fig. 2/5</p> <p>Close the appliance.</p> <p>Ensure that there is adequate ventilation.</p> <p>Do not exceed max. freezing capacity.</p> <p>When the fault has been eliminated, the Alarm display goes out shortly afterwards.</p>

Fault	Possible cause	Remedial action
Freezer compartment door was open for a long time; temperature is no longer reached.	The evaporator (refrigeration generator) in the NoFrost system is covered in thick ice and can no longer be defrosted fully automatically.	To defrost the evaporator, remove the frozen food with the compartments, insulate well and store in a cool location. Switch off the appliance and move it away from the wall. Leave the appliance door open. After approx. 20 min. the condensation begins to run into the evaporation pan, at the rear of the appliance. Fig. 7 To prevent the evaporation pan from overflowing in this case, mop up the condensation with a sponge. The evaporator is defrosted when the water stops running into the evaporation pan. Clean the interior. Switch the appliance back on again.
Appliance is not cooling, temperature display and light are lit.	Showroom mode is switched on.	Hold down alarm button, Fig 2 /5, for 10 seconds until an acknowledgement signal sounds. After a short time check whether your appliance is cooling.
Automatic super freezing does not switch on.		The appliance decides independently whether automatic Super freezing is required and automatically switches it on or off.

Ice maker

Fault	Possible cause	Remedial action
The ice maker doesn't work.	Ice maker is not connected to the power supply.	Call the customer service.
	The ice maker is switched off.	Switch on the ice maker (see "Ice maker").
	Ice maker is not receiving any fresh water.	Ensure that the water has been connected properly.
	The freezer compartment temperature is too warm.	Check freezer compartment temperature and, if required, set slightly colder.
	Supply hose is kinked or crushed. Fig. 8	Ensure that the supply hose is installed correctly.

Fault	Possible cause	Remedial action
The ice maker does not make enough ice or the ice is deformed.	The appliance or ice maker has only just been switched on.	Approx. 24 hours is needed until ice production starts.
	A lot of ice has been taken.	Approx. 24 hours is needed until the ice cube container is filled again.
	Low water pressure.	Connect the appliance to the stipulated water pressure only (see chapter "Connecting the appliance", section "Water connection").
	The freezer compartment temperature is too warm.	Set temperature colder.
	Screen on the water supply is dirty.	Clean the screen.
Ice dispenser does not function. The "lock" and "on/off" buttons flash.	Water has escaped from the pipe system. The integrated AquaStop system has interrupted the water supply.	Switch off the water supply and inform customer service (see chapter entitled Alarm function).
Ice dispenser does not function. No ice cubes are dispensed.	Ice maker is empty. All the ice cubes have been dispensed.	Wait for more ice cubes to be produced.

Appliance self-test

Your appliance features an automatic self-test program which shows you sources of faults which may be repaired by customer service only.

Starting the appliance self-test

Caution

- To prevent the self-test from terminating, keep the appliance door closed while the self-test program is running.
 - As water or ice may be dispensed during the test, keep a glass in the dispenser unit while the self-test is running.
1. Switch off the appliance and wait 5 minutes.
 2. Switch the appliance on. If a warning signal sounds, it will automatically switch off as the self-test progresses.
 3. Within the first 10 seconds after switching on the appliance, hold down the super button, Fig. **2**/2, for 3 to 5 seconds until an acoustic signal sounds. Then immediately close the door.

The self-test programme starts. While the self-test is running, a long acoustic signal sounds once and the controls on the dispenser unit flash.

When the self-test has ended and an acoustic signal

- sounds twice, your appliance is in working order.
- sounds five times and the super button flashes for 10 seconds, there is a fault. An error code is indicated on the temperature display 4. Inform customer service.

Ending the appliance self-test

When the programme has ended, the appliance switches over to normal operation.

Aqua-Stop guarantee

In addition to warranty claims against the seller based on the purchase contract and in addition to our appliance warranty we will pay damages under the following conditions:

1. If our Aqua-Stop system is defective and causes water damage, we will make good the damage for private users.
2. This liability guarantee is valid for the service life of the appliance.
3. A prerequisite for the warranty claim is that the appliance has been correctly installed and connected with Aqua-Stop according to our instructions. This also includes the correct installation of the Aqua-Stop extension (original accessory). Our warranty does not extend to defective feed lines or fittings up to the Aqua-Stop connection on the tap.
4. If your appliance is fitted with Aqua-Stop, you can leave your appliance unattended during operation and leave the tap turned on afterwards. The tap should only be turned off if you are absent from home for a prolonged period, e.g. several weeks holiday.

Customer service

Your local customer service can be found in the telephone directory or in the customer-service index. Please provide customer service with the appliance product number (E-Nr.) and production number (FD-Nr.).

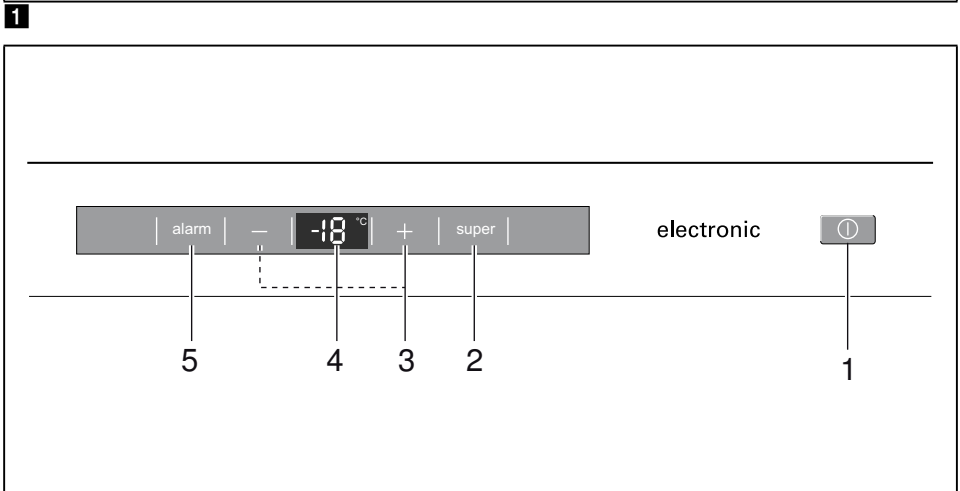
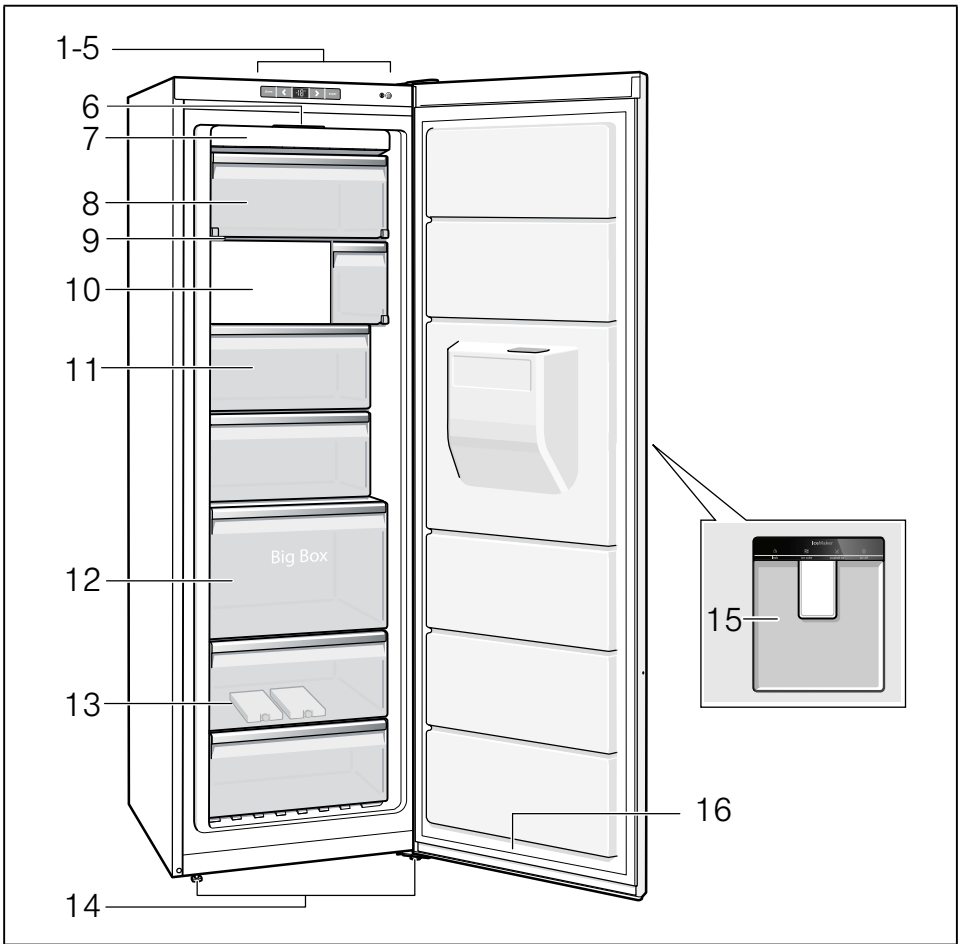
This information can be found on the rating plate. Fig. **10**

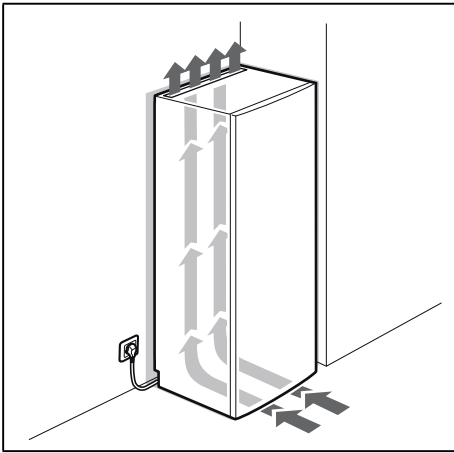
To prevent unnecessary call-outs, please assist customer service by quoting the product and production numbers. This will save you additional costs.

Repair order and advice on faults

Contact information for all countries can be found on the enclosed customer service list.

GB	0344 892 8999	Calls charged at local or mobile rate.
IE	01450 2655	0.03 € per minute at peak. Off peak 0.0088 € per minute.
US	866 447 4363	toll-free

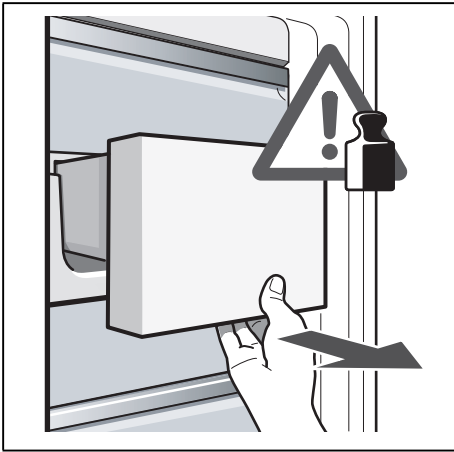




3



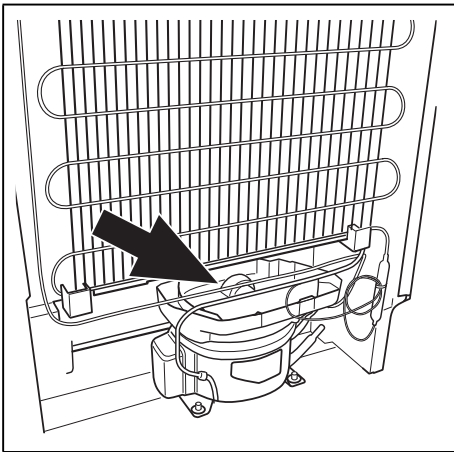
4



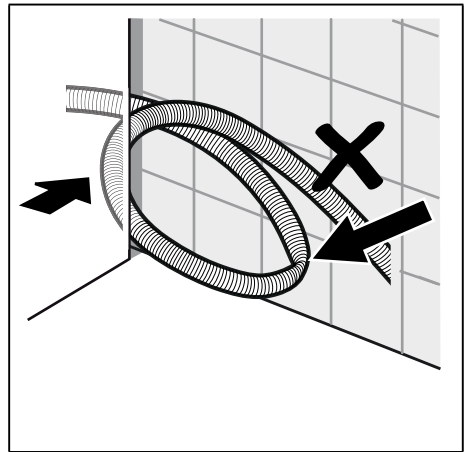
5



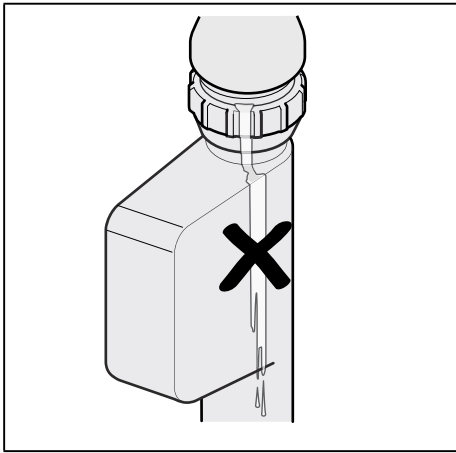
6



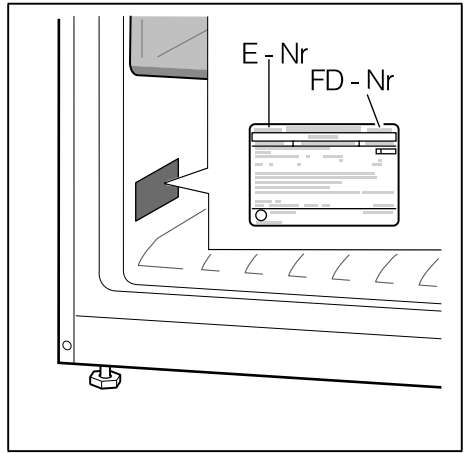
7



8



9



10

BSH Hausgeräte GmbH
Carl-Wery-Straße 34
81739 München, GERMANY

siemens-home.bsh-group.com

Manufactured by BSH Hausgeräte GmbH under Trademark License of Siemens AG



8001134872 (9809)

en