

RC462304

RC472304

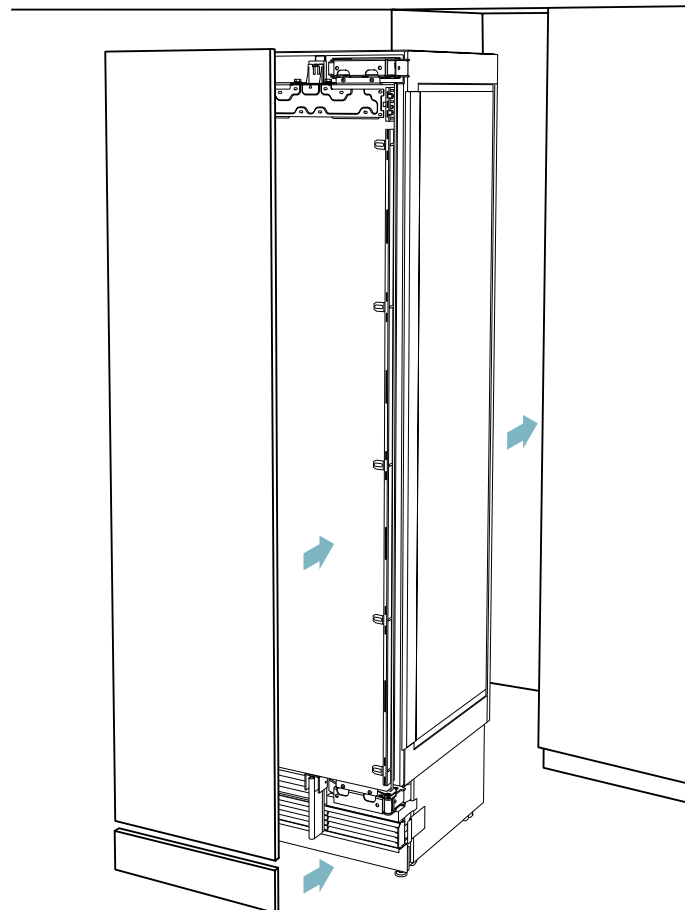
RC492304

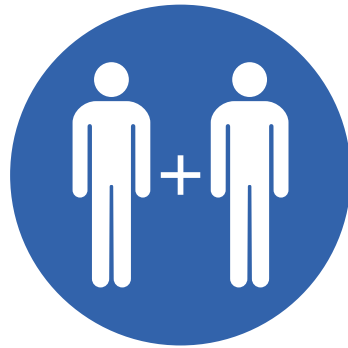
RC462904

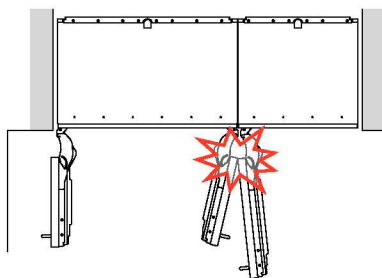
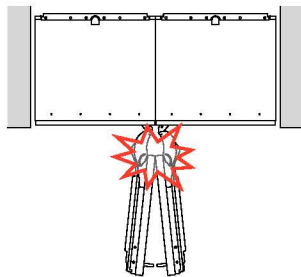
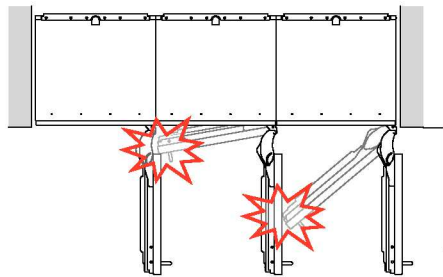
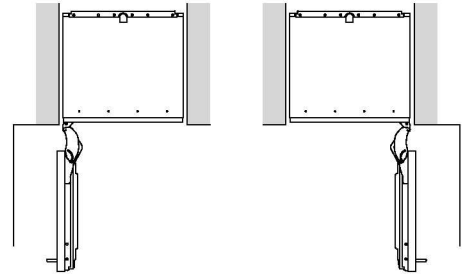
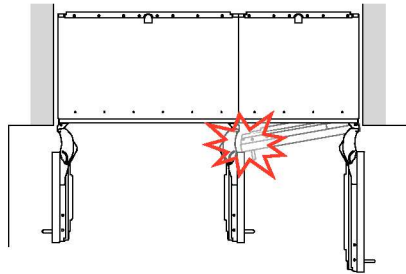
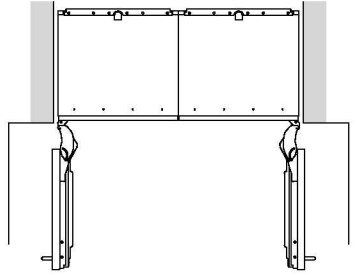
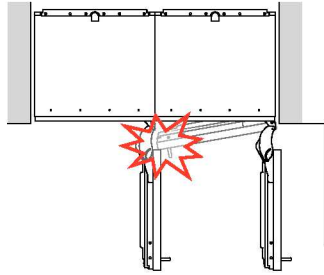
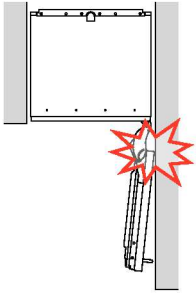
RC462504

RC472504

RC492504





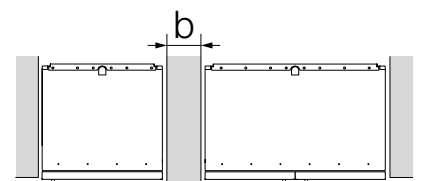
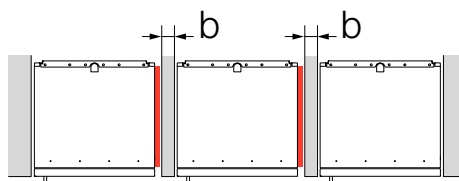
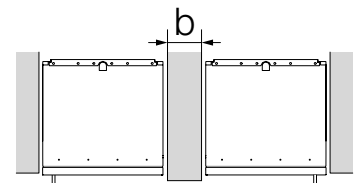
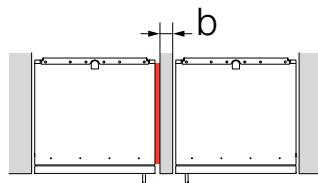
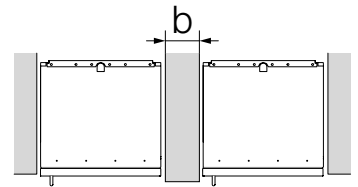
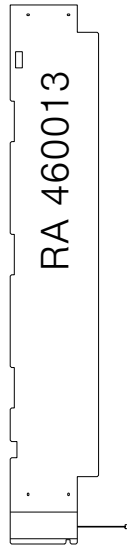
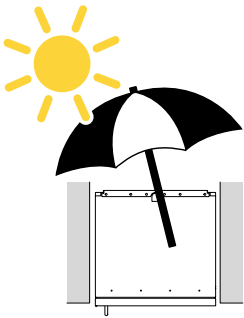
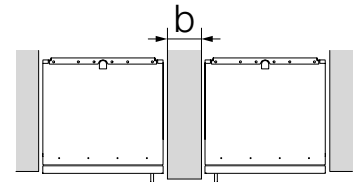
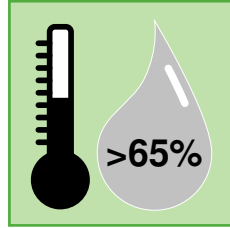
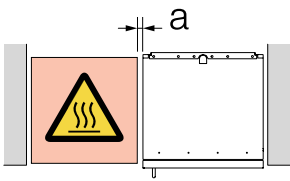


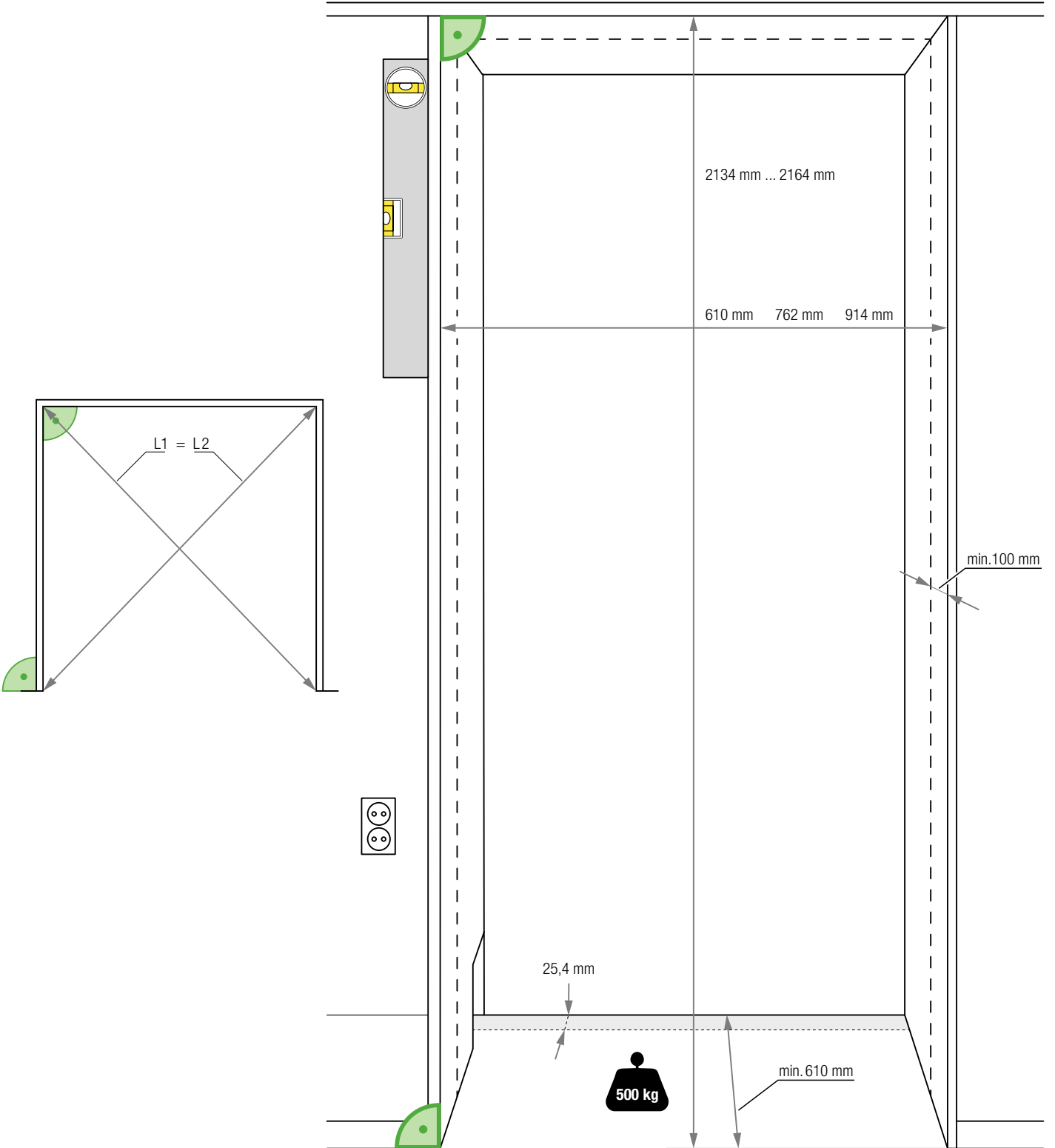
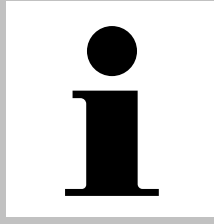


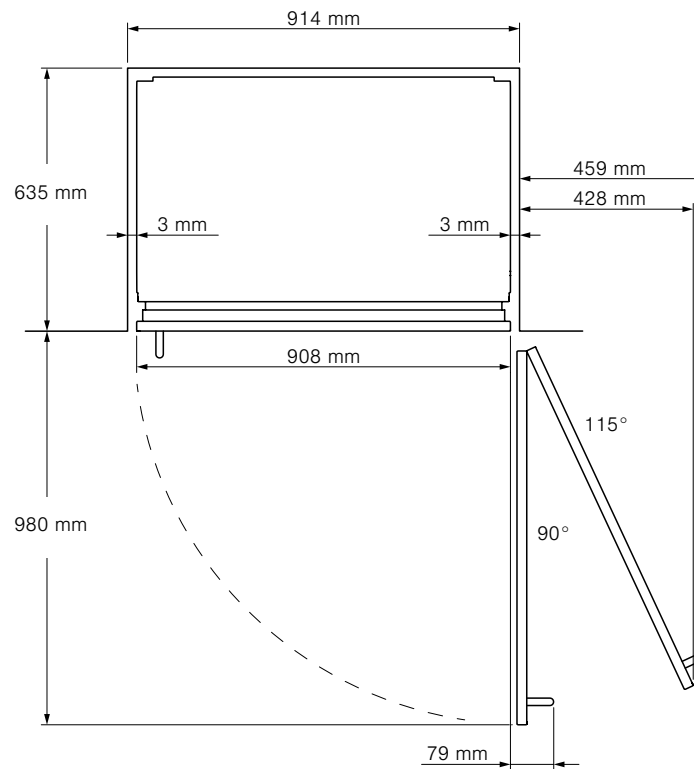
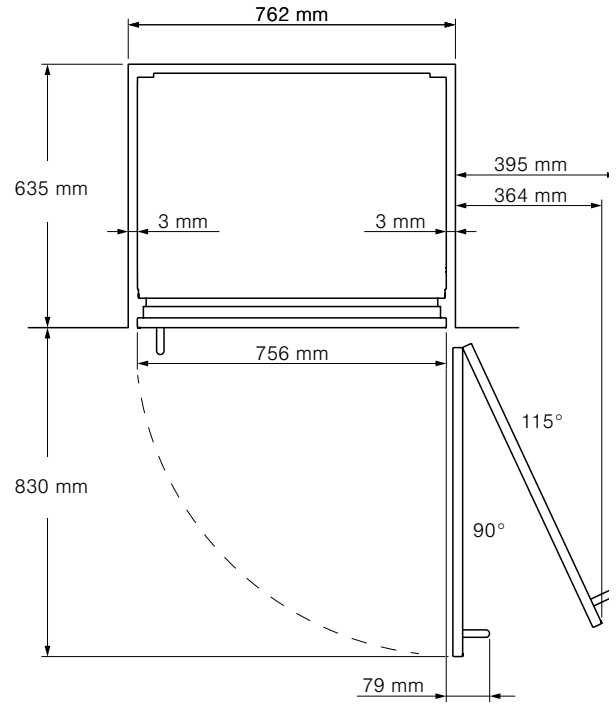
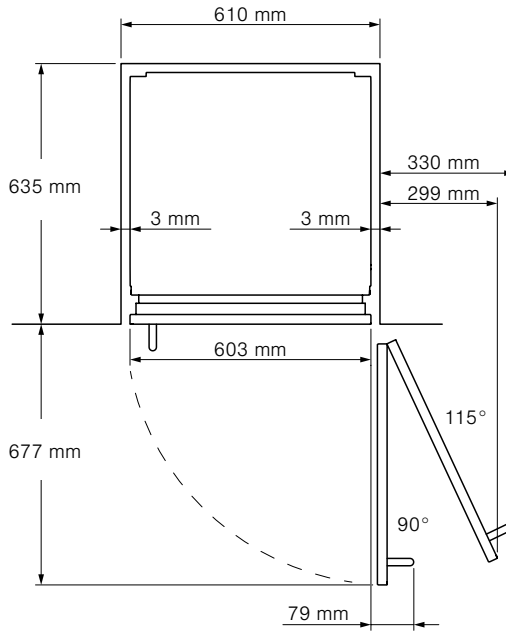
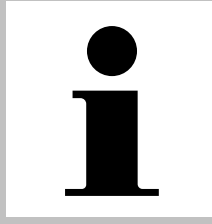
$a \geq 30 \text{ mm}$

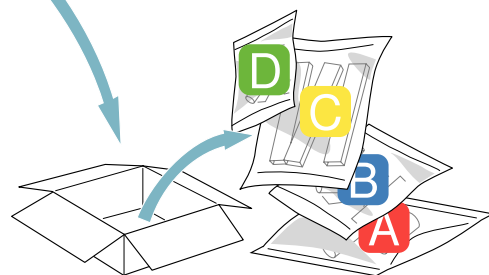
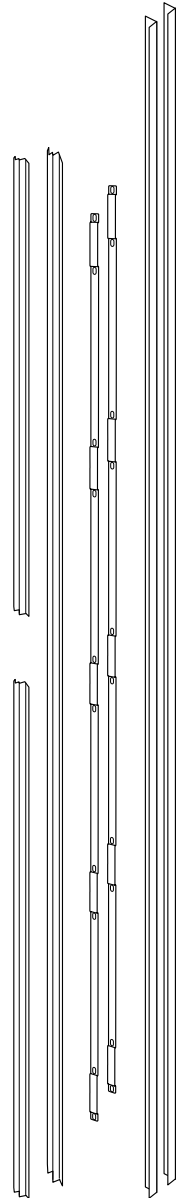
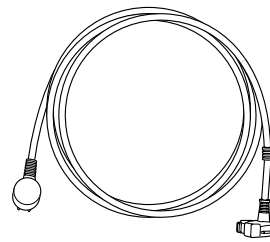
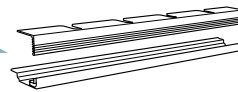
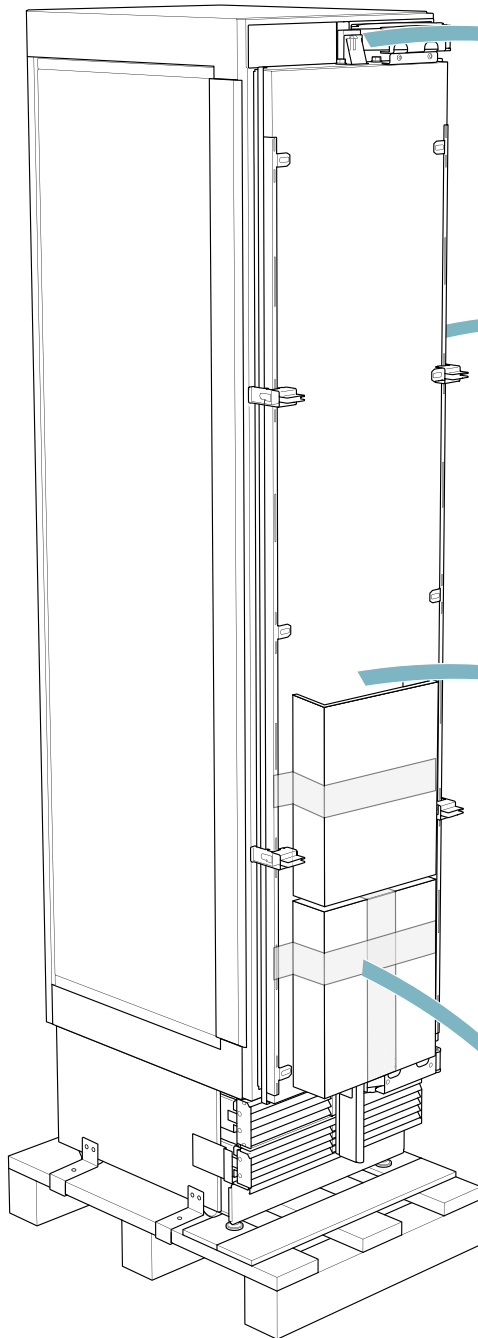
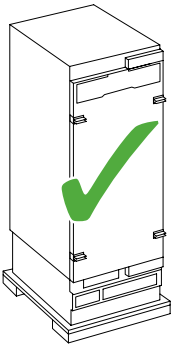
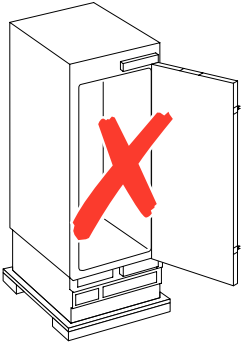
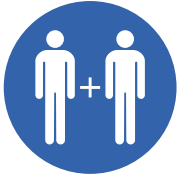
$16 \text{ mm} \leq b < 160 \text{ mm}$

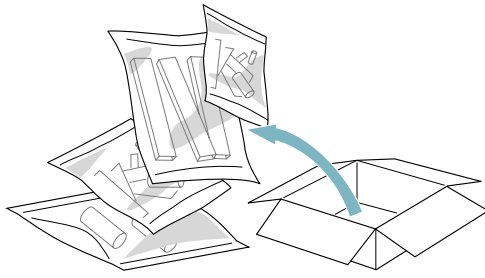
$b \geq 160 \text{ mm}$




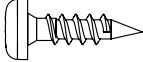


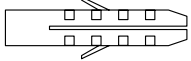


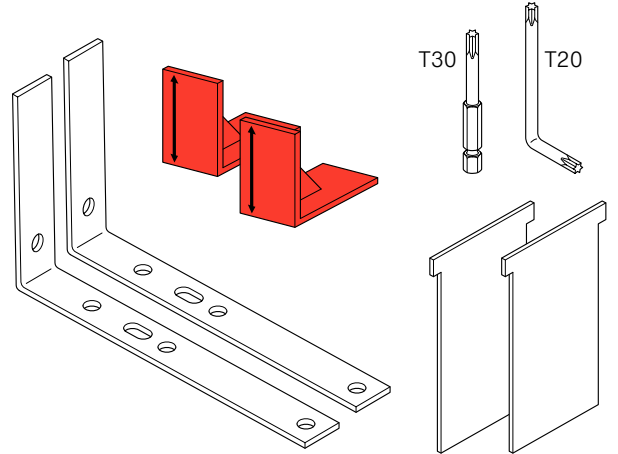








A





4x15			6x
5x60			4x
6x31			4x

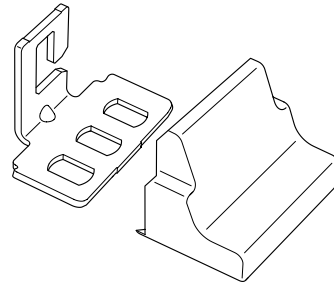


B

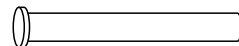
4x15			8x
------	---	---	----

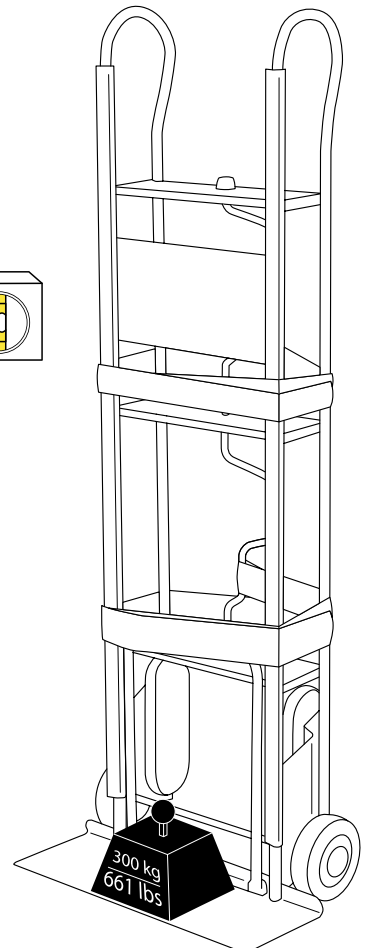
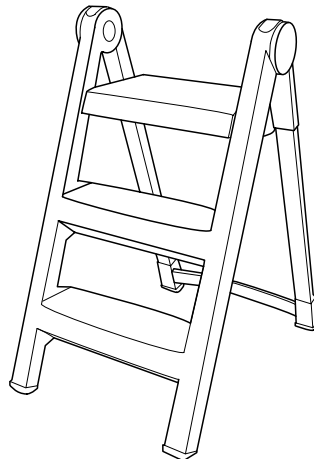
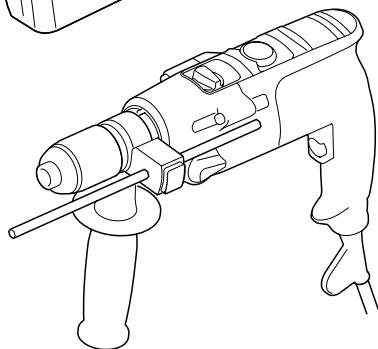
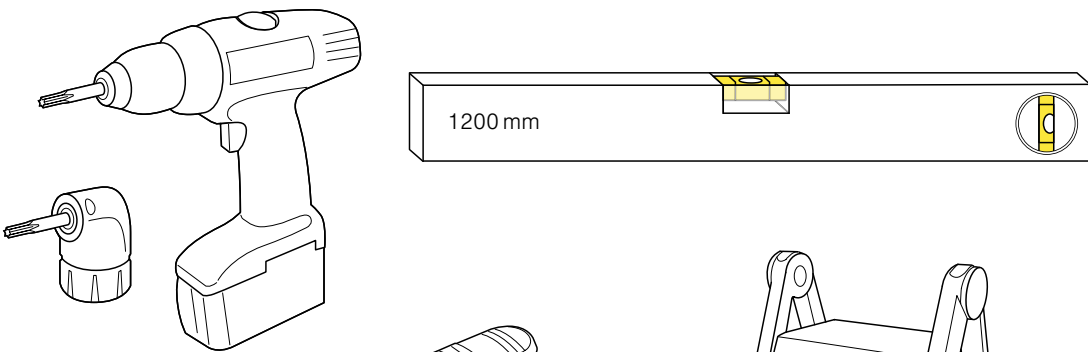
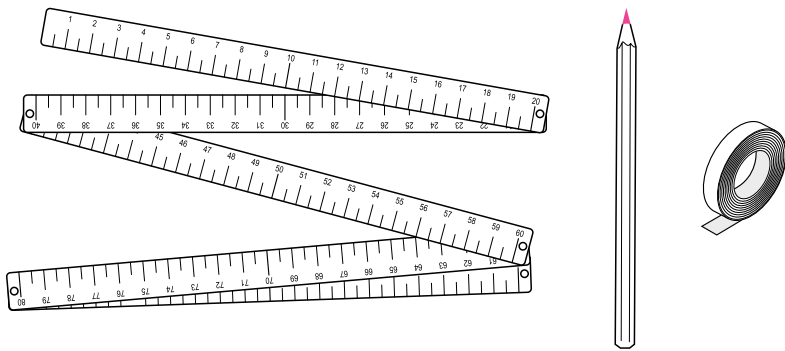
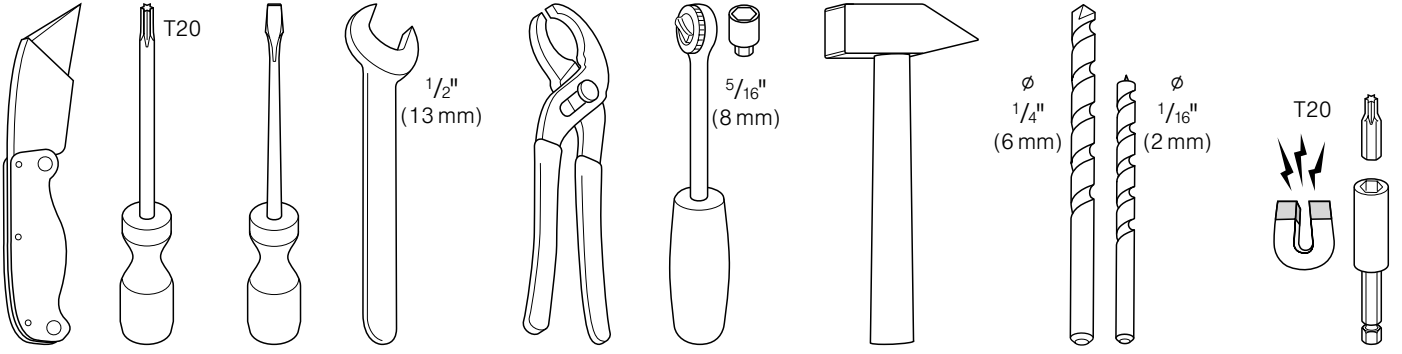
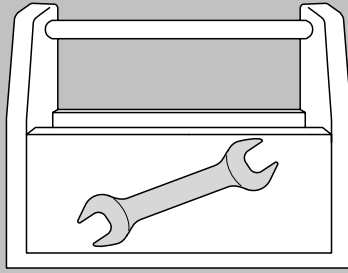
C

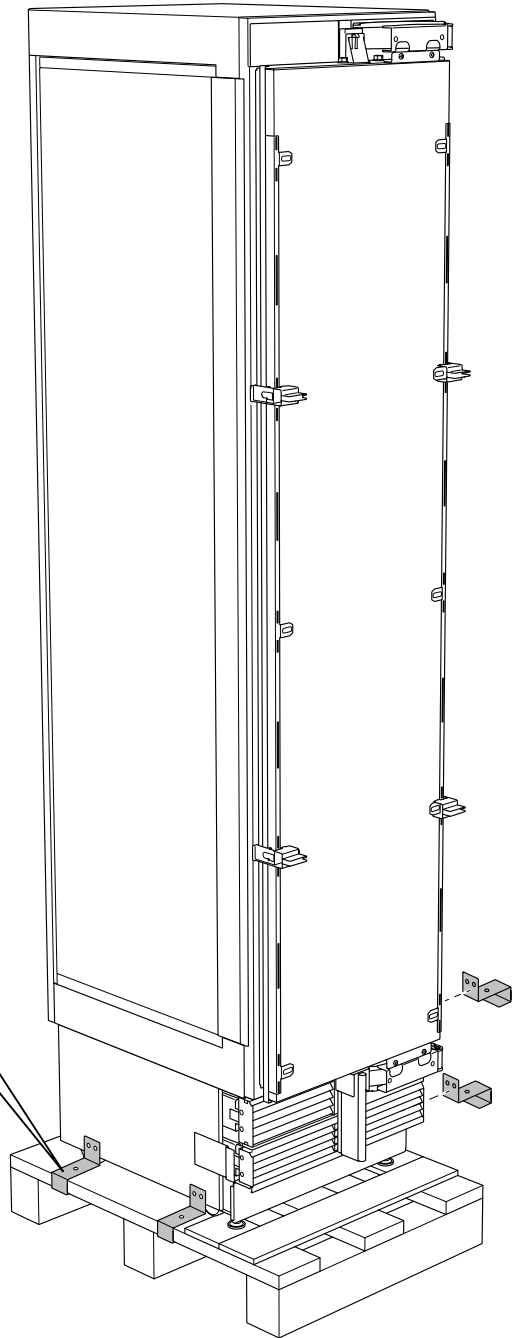
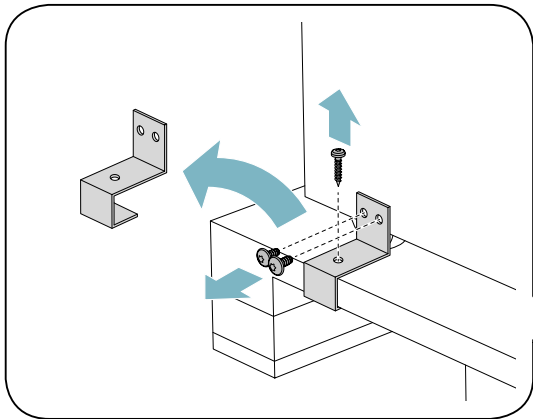
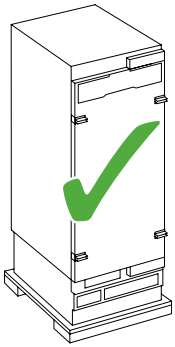
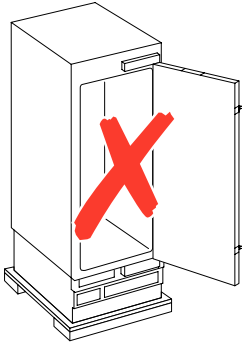
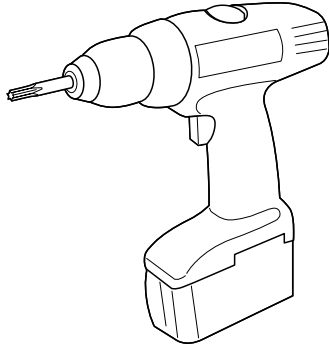
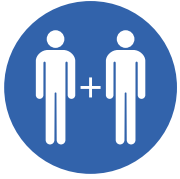
4x15			32x
4x15			2x

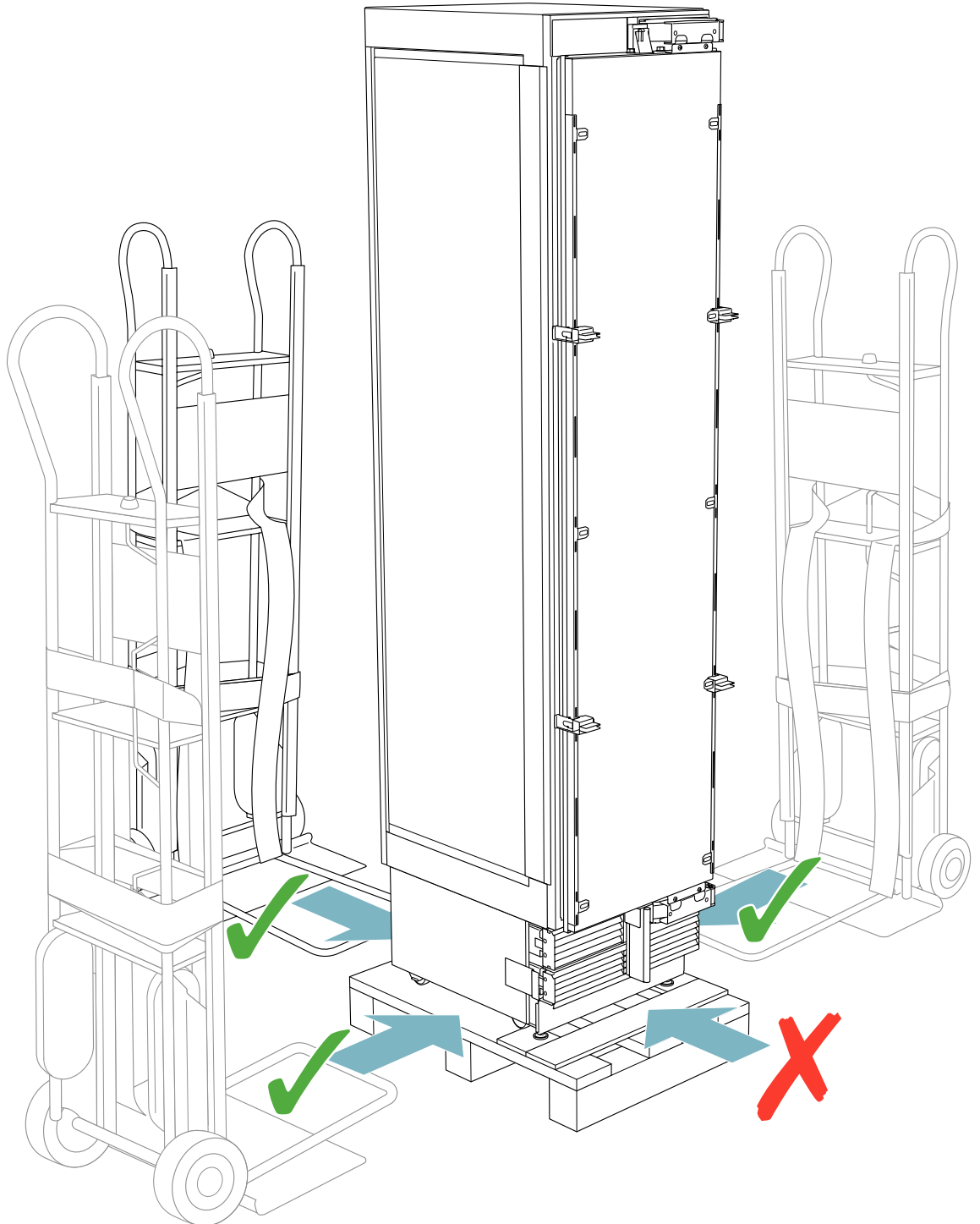
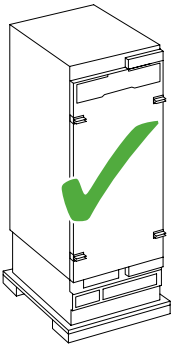
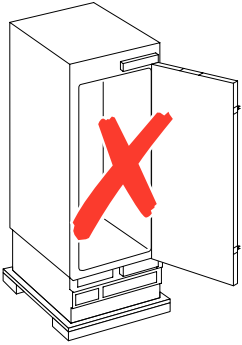
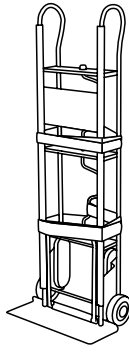
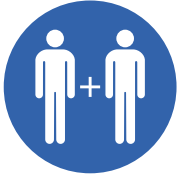


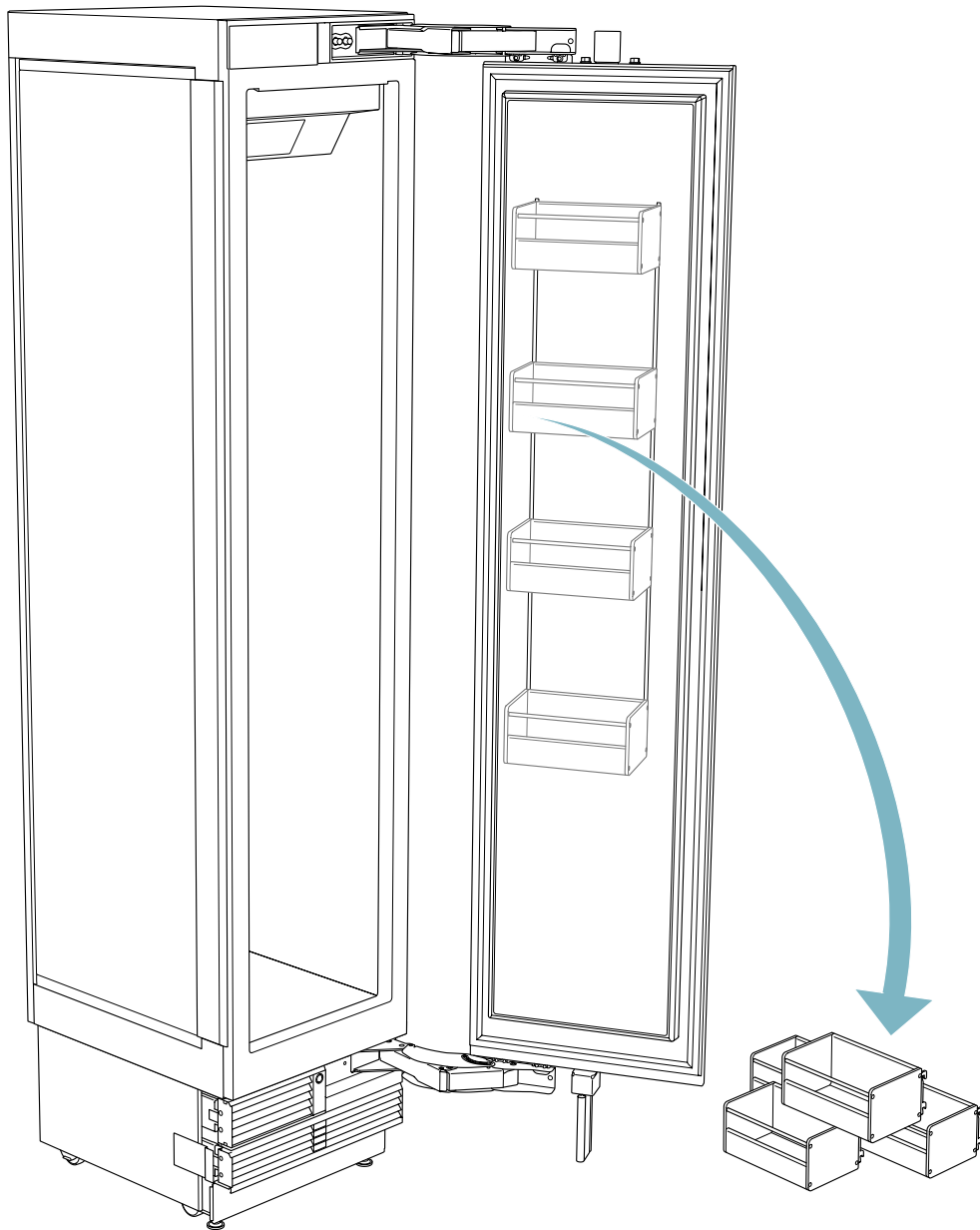
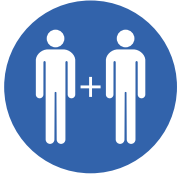
D

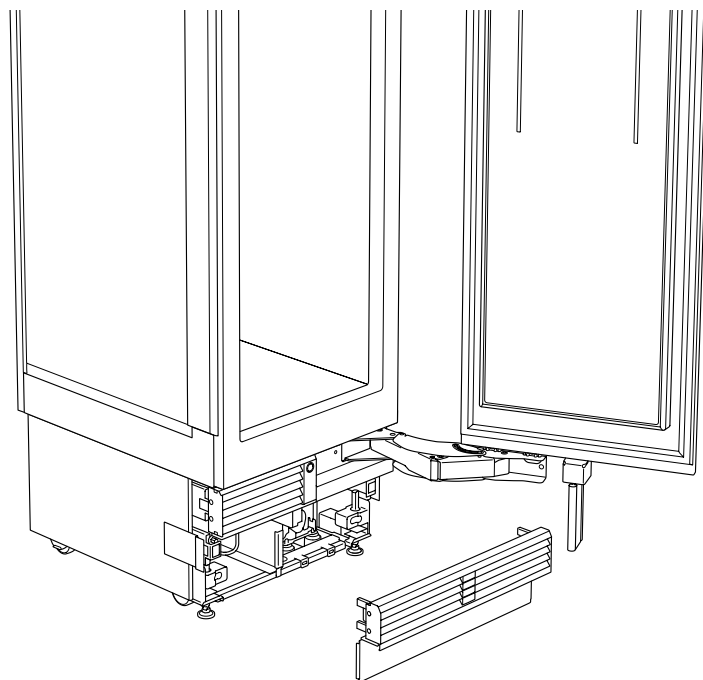
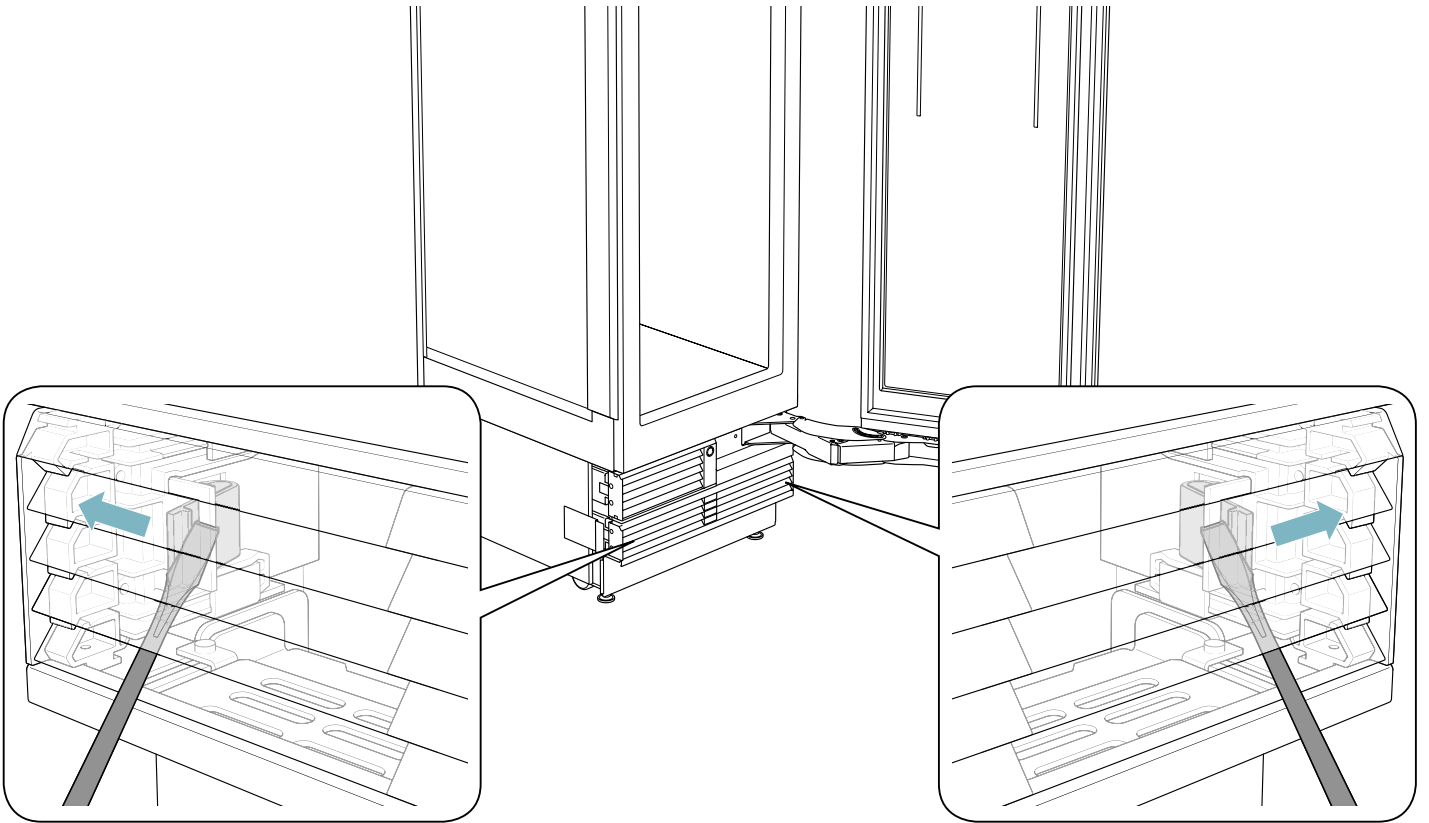
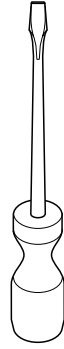
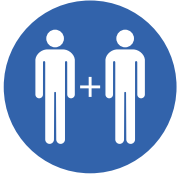


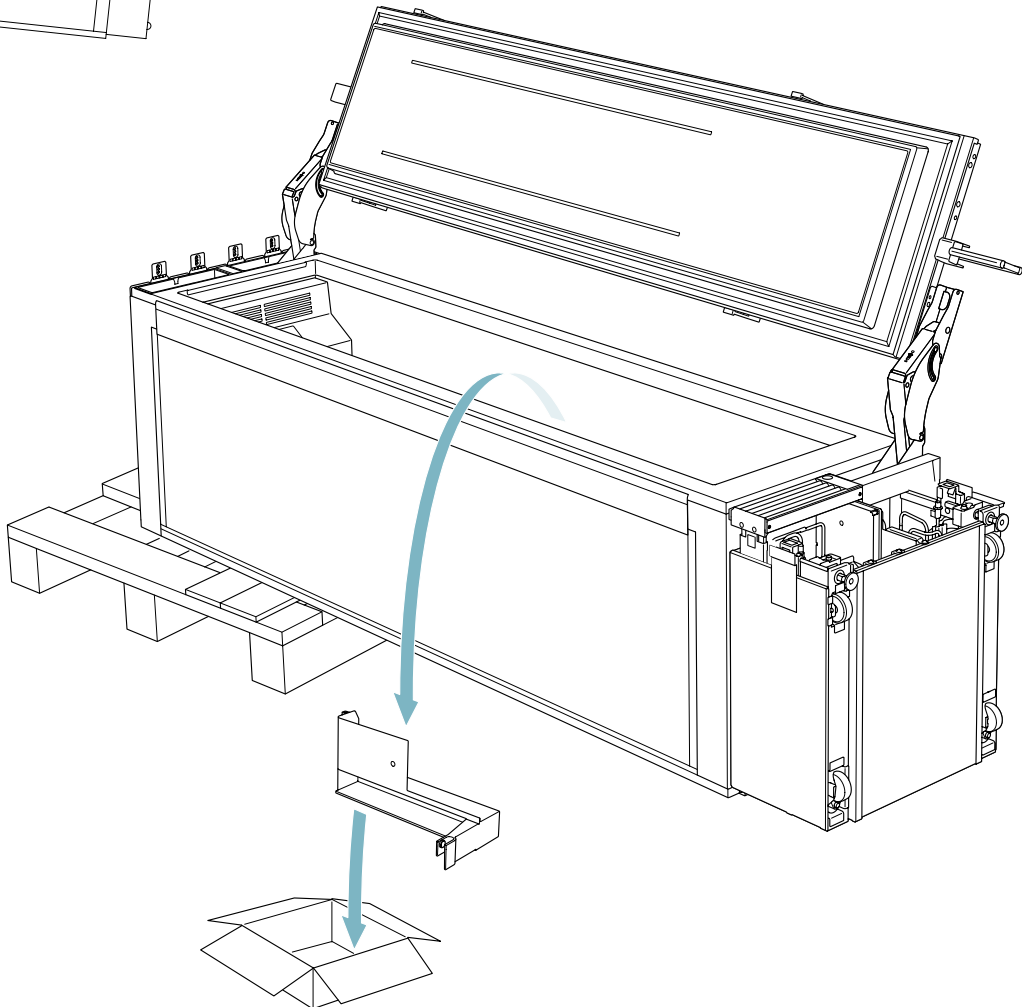
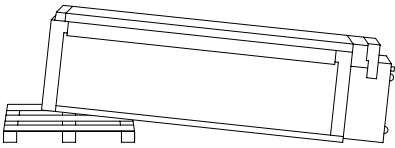
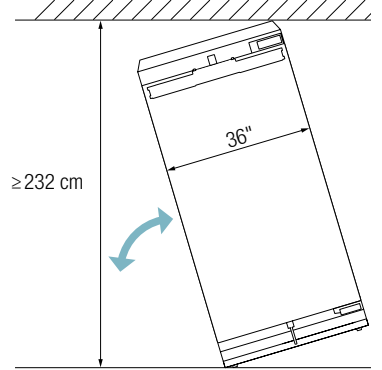
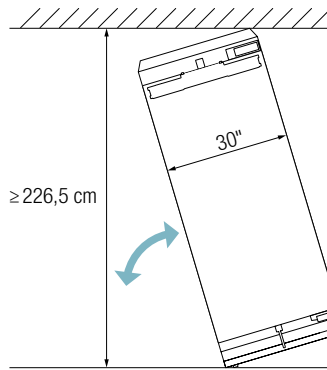
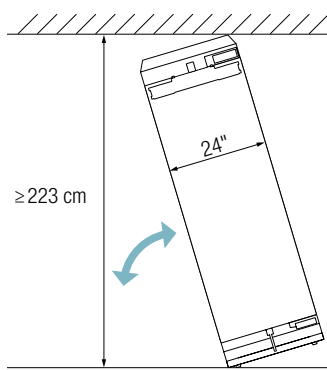
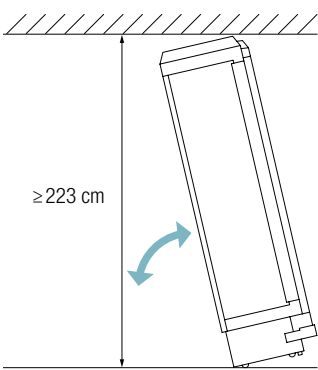
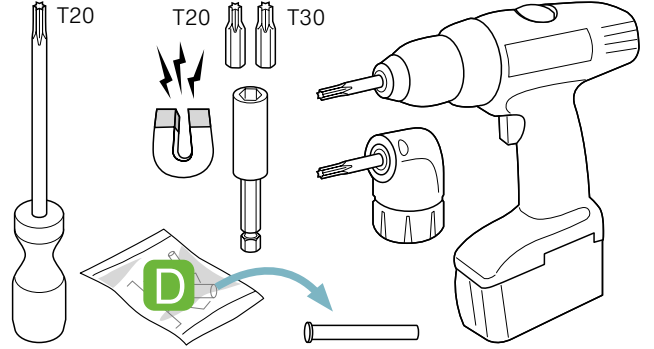
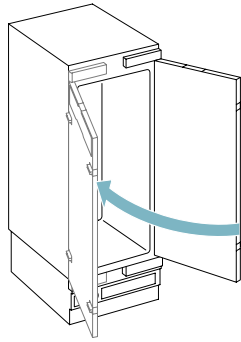
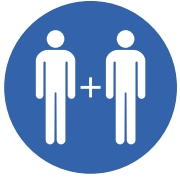




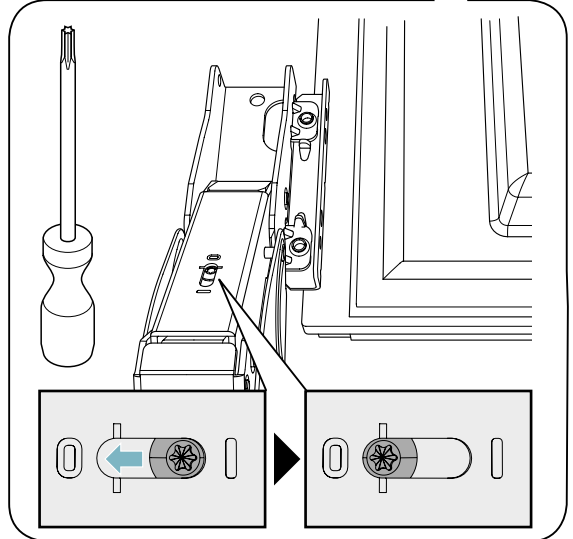
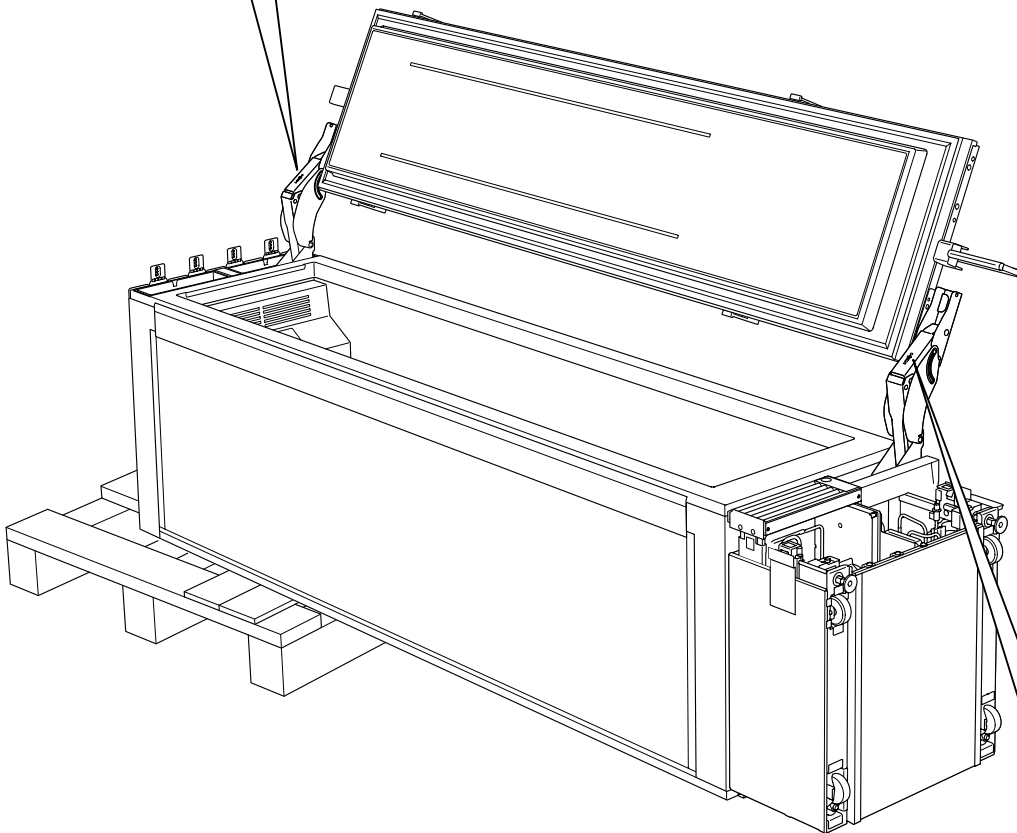
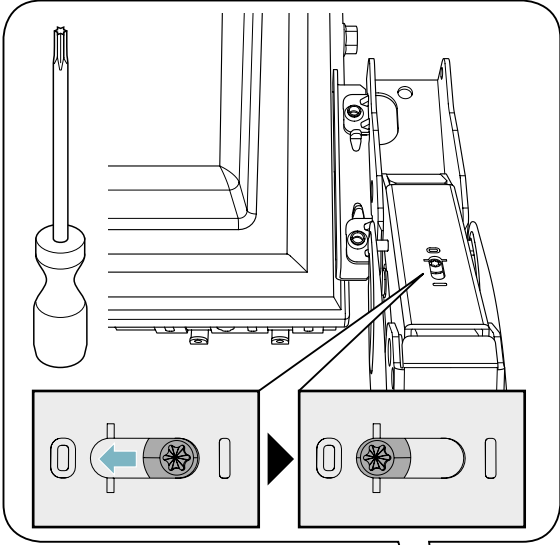


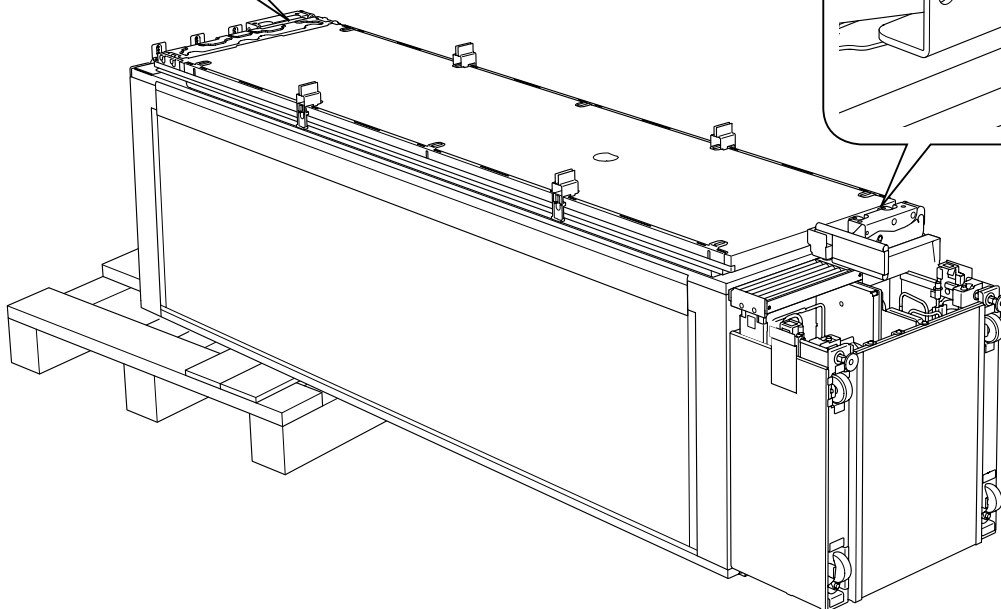
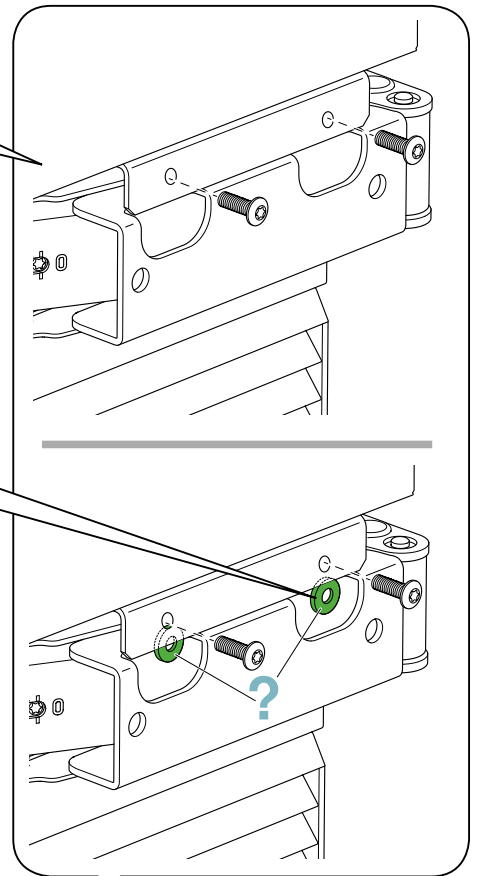
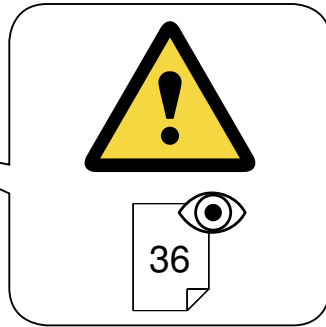
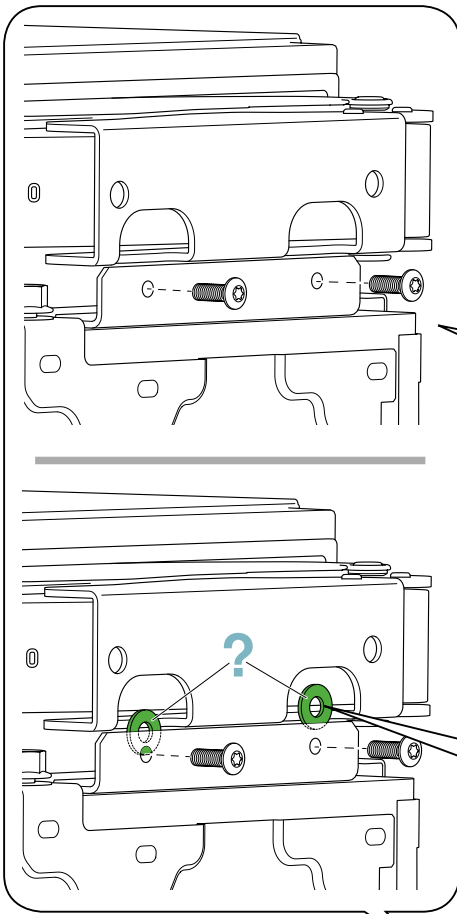
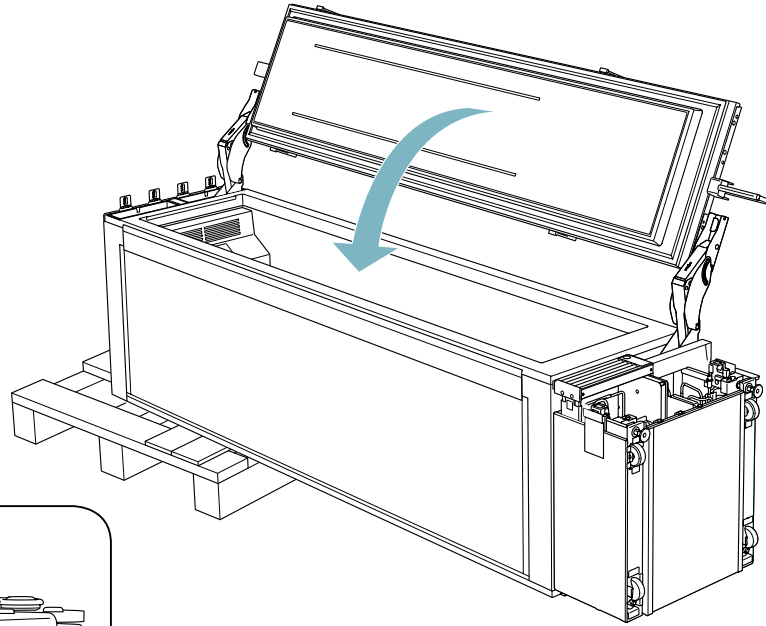




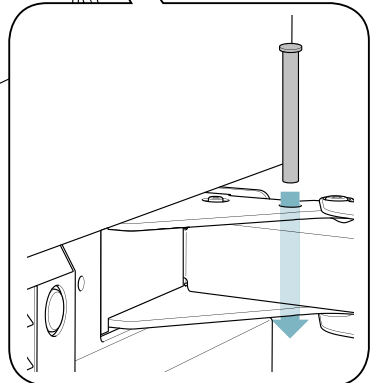
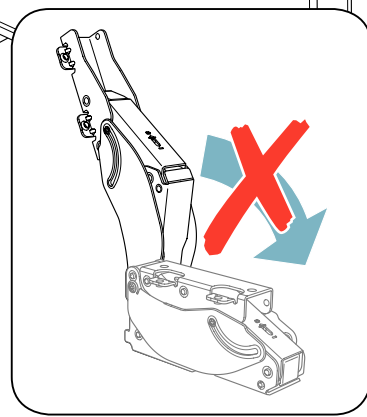
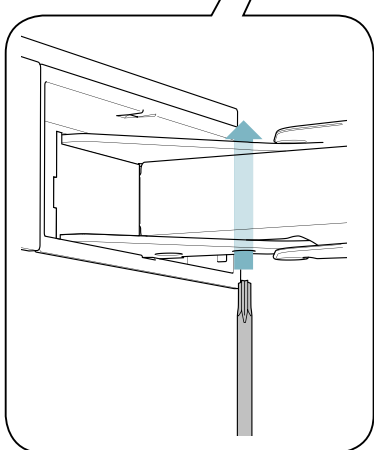
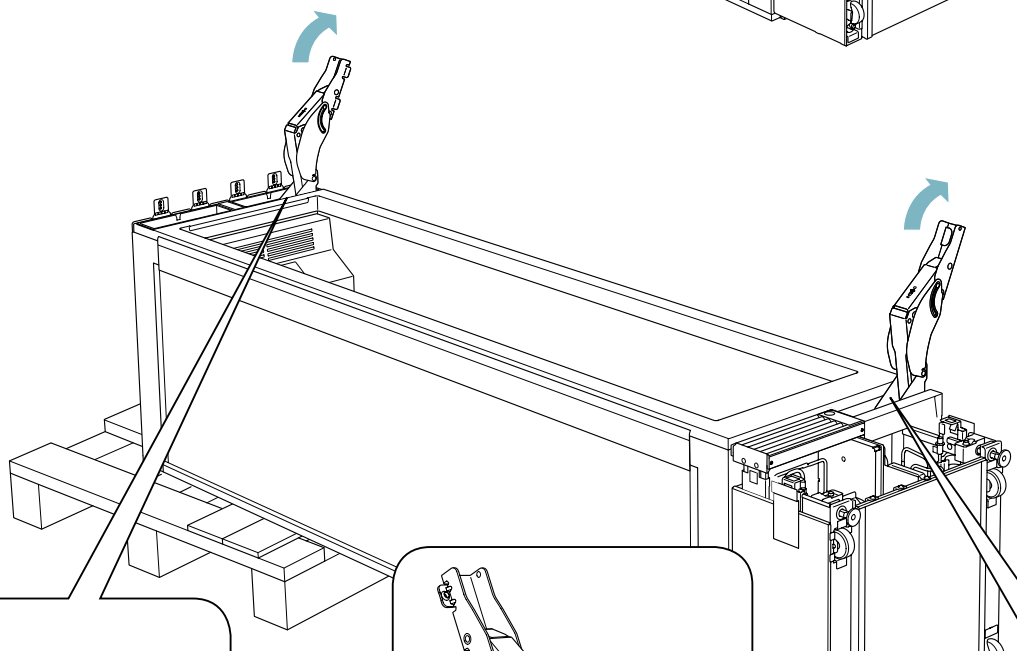
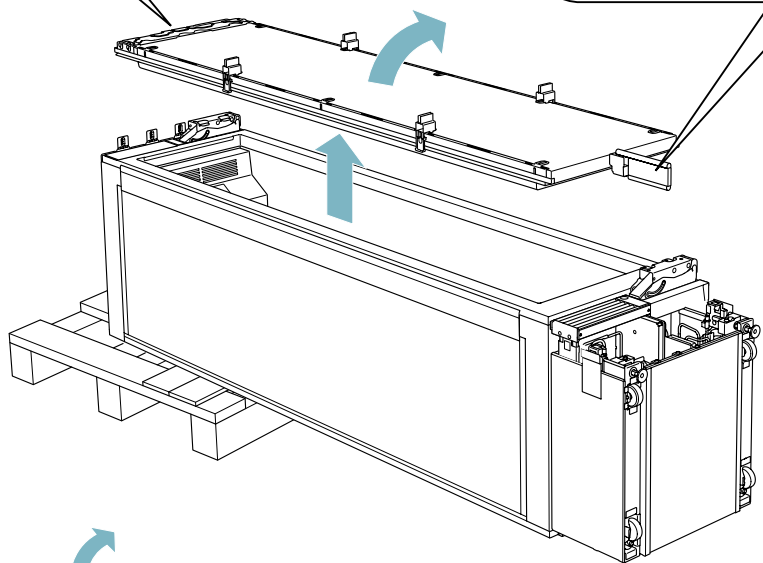
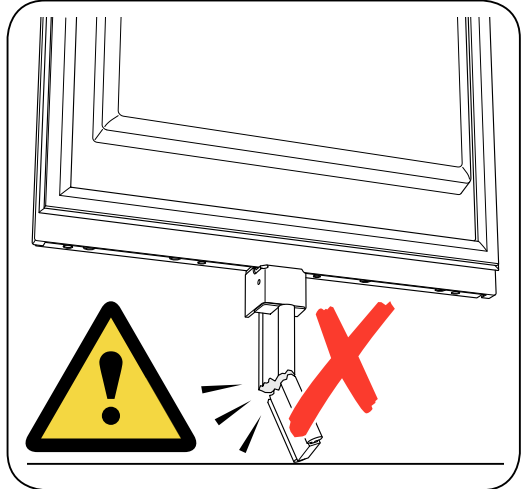
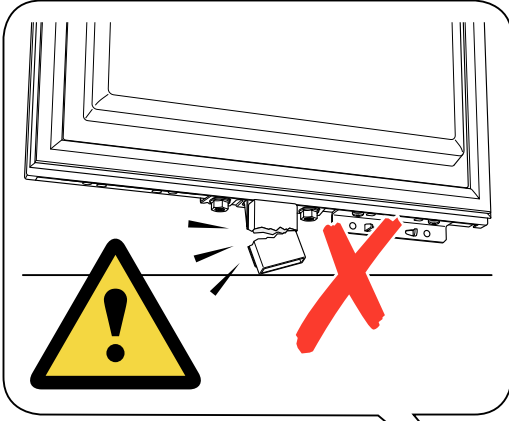


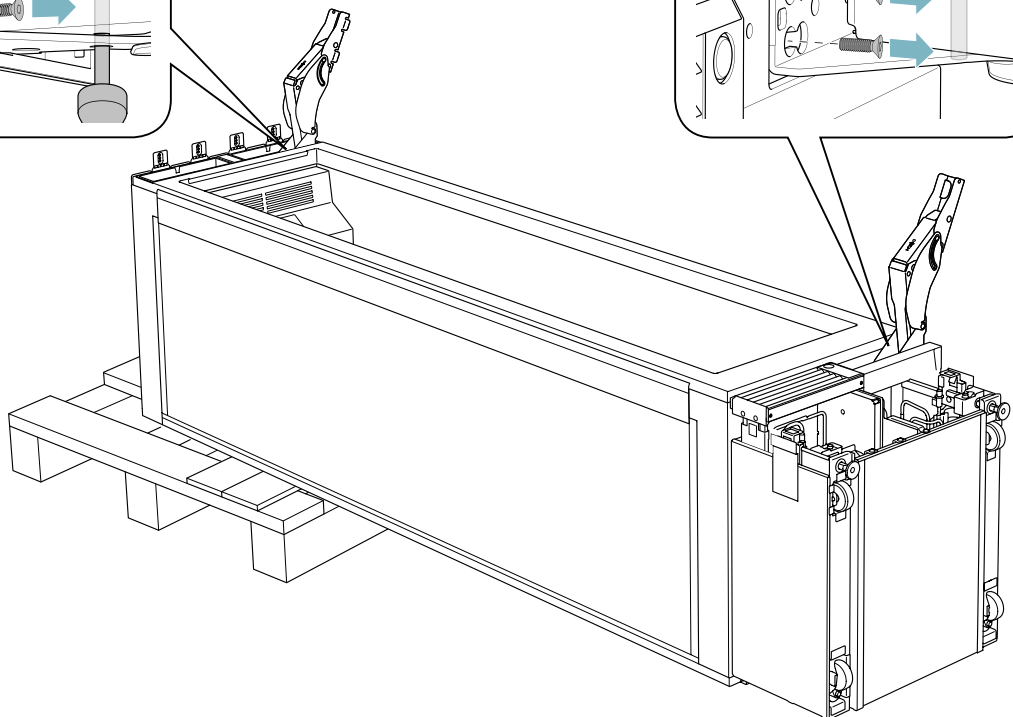
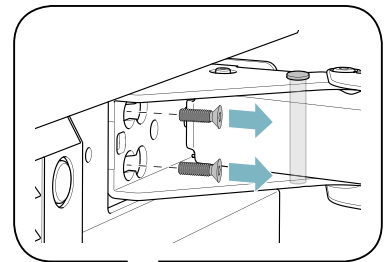
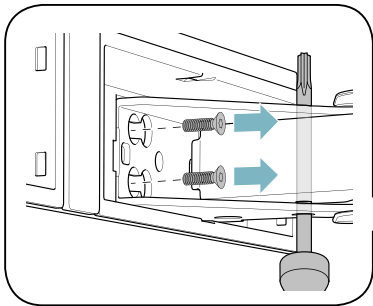
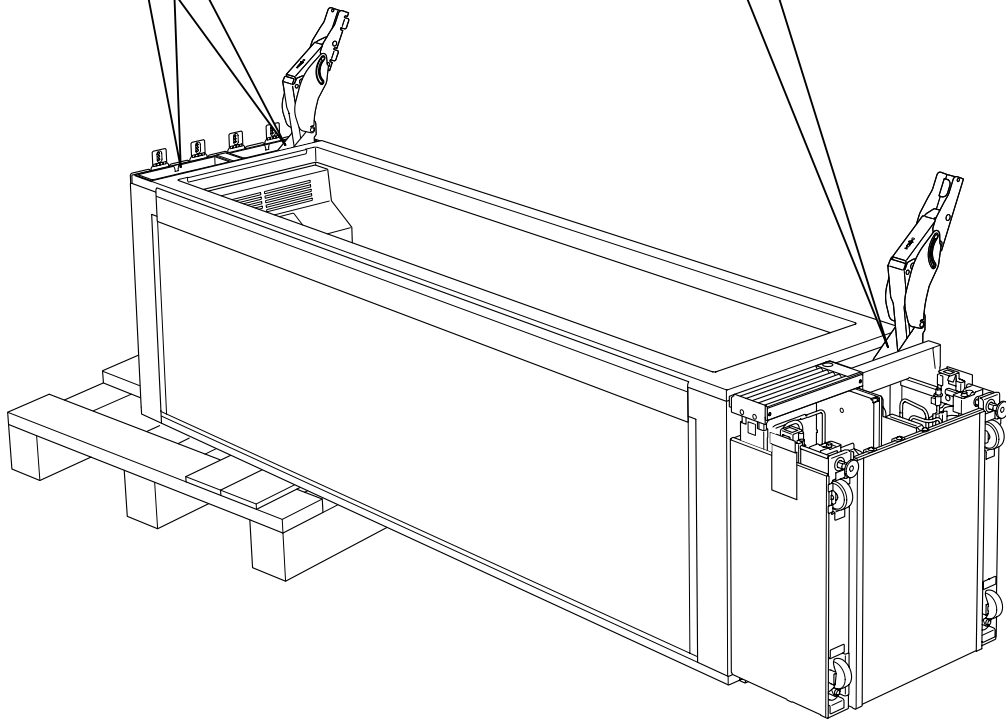
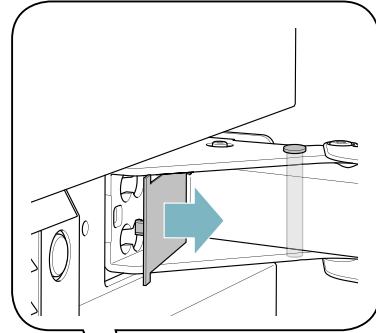
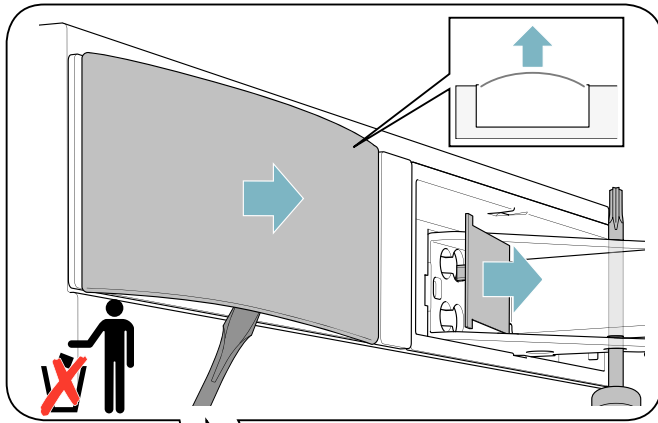
- A
- B
- C
- D



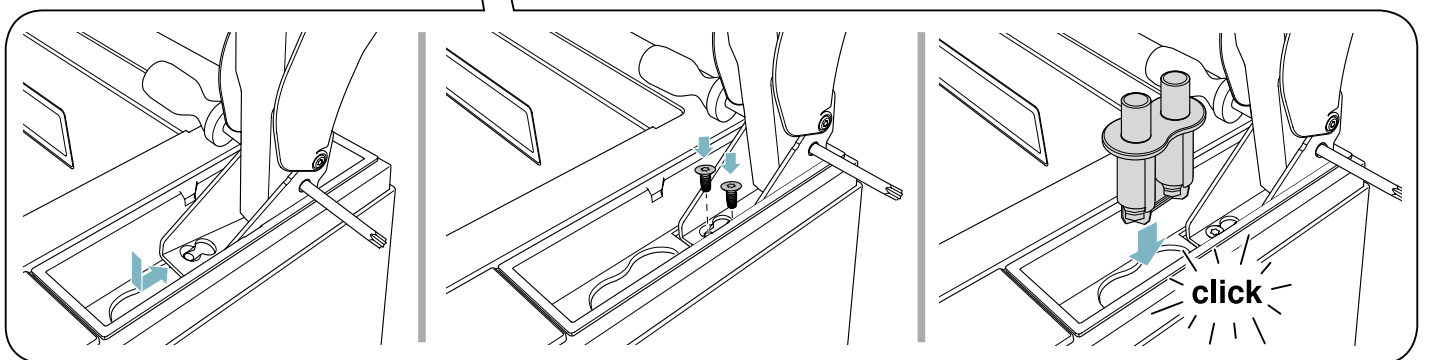
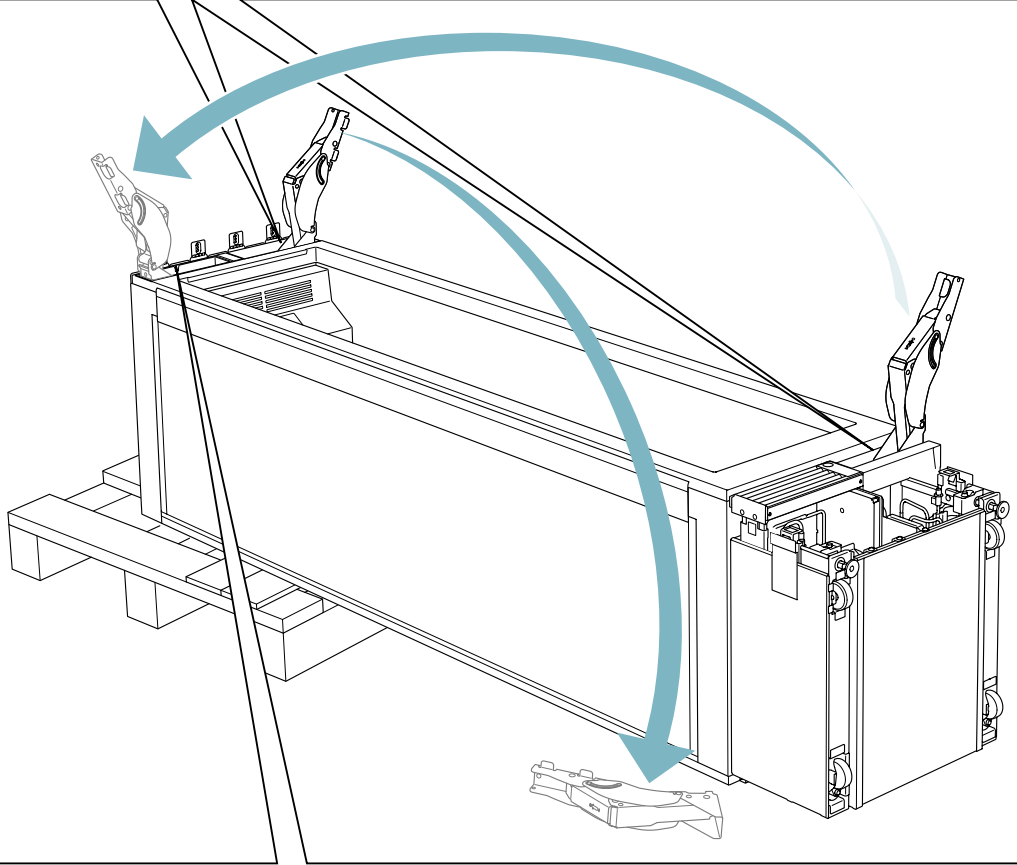
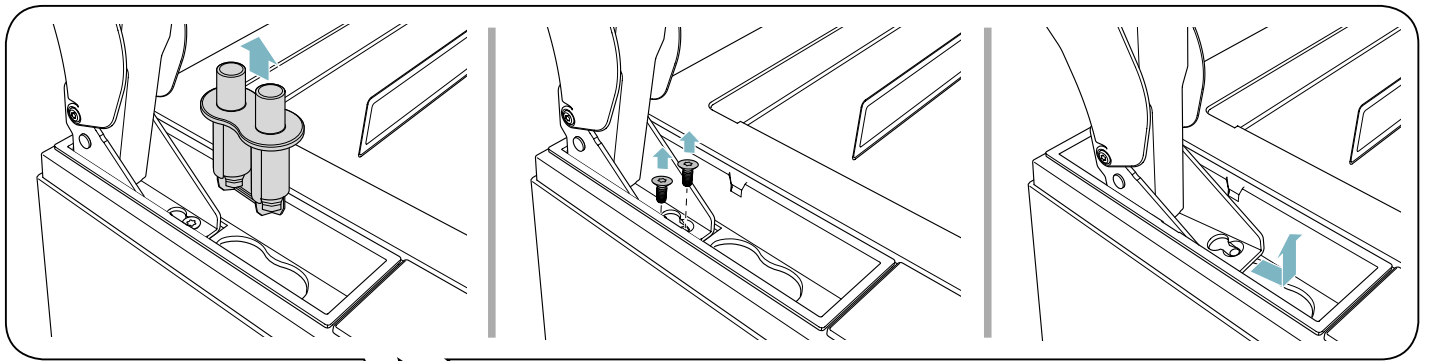
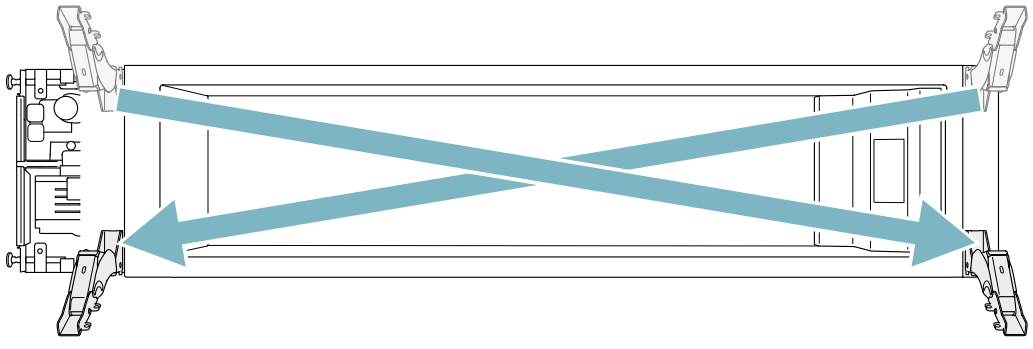


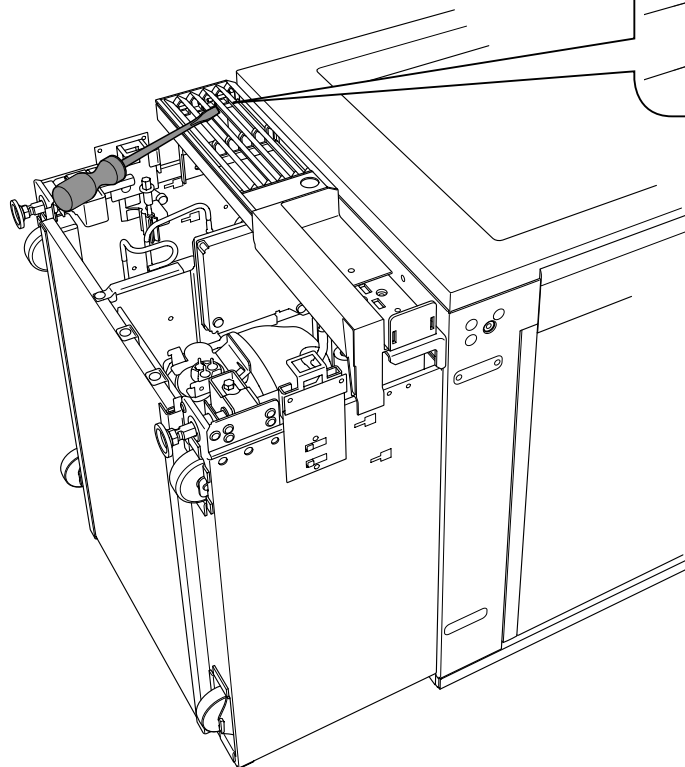
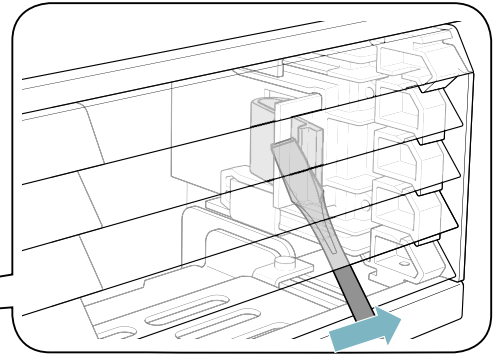
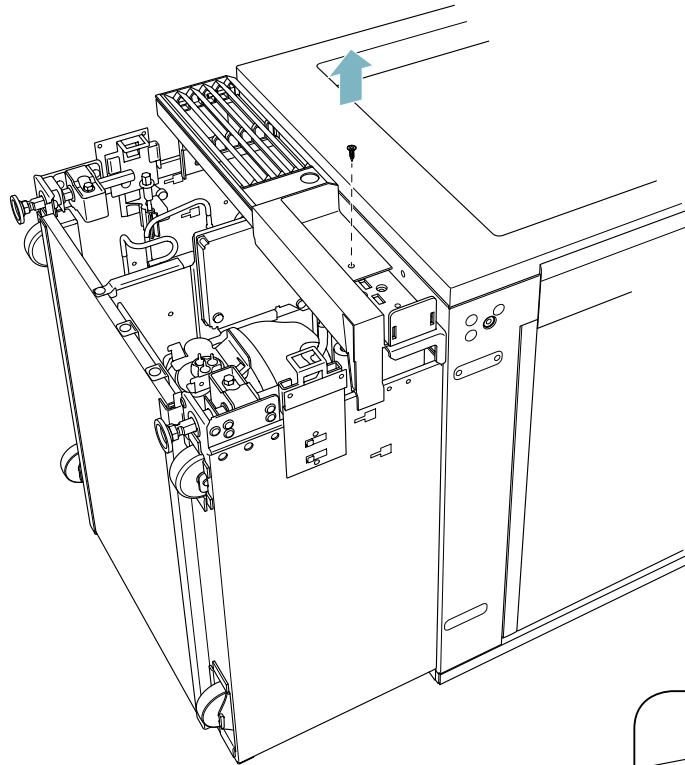
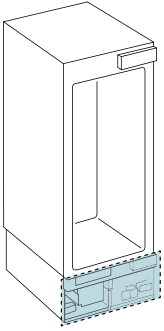
A
B
C
D





A
B
C
D





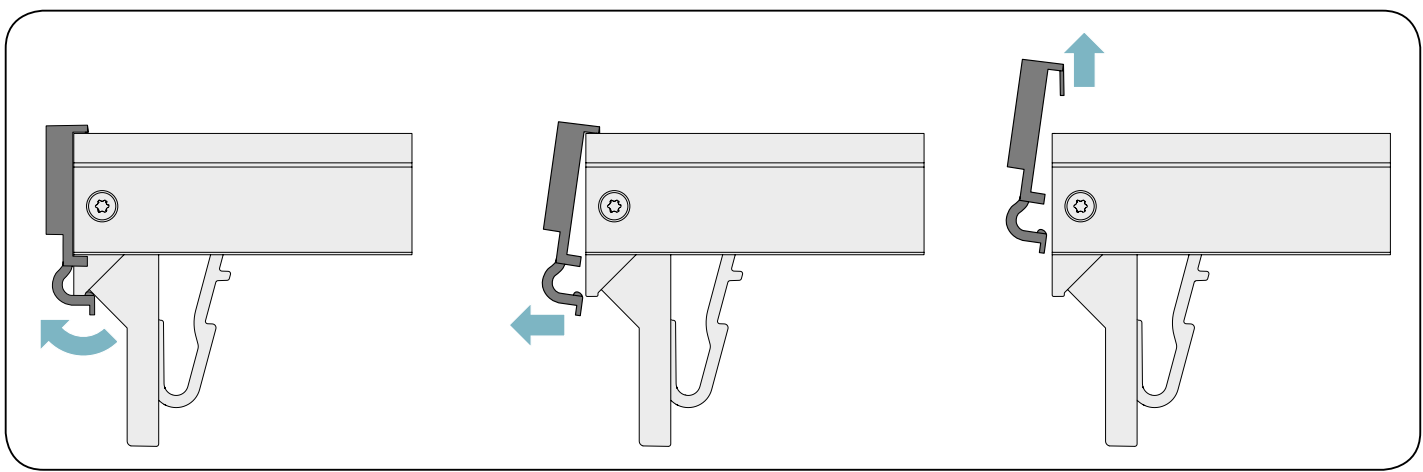
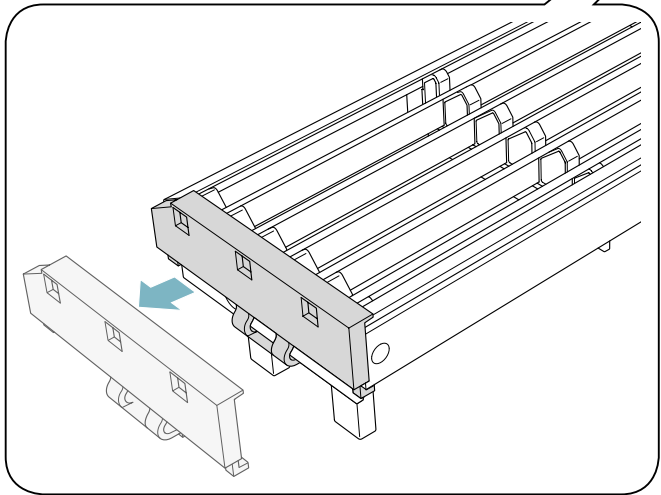
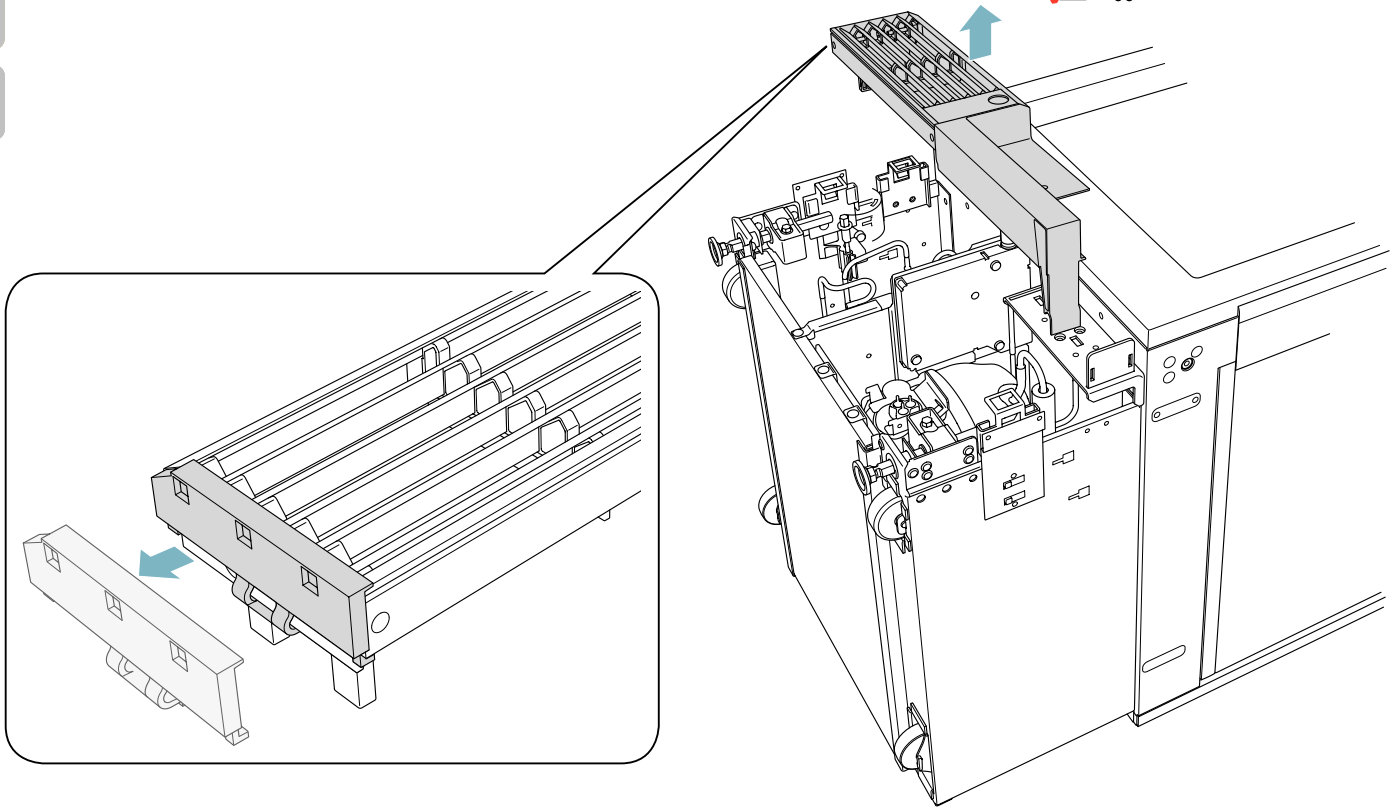
- A
- B
- C
- D

A

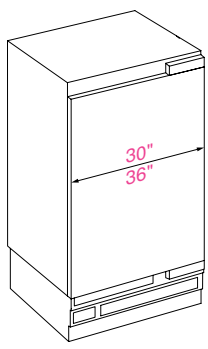
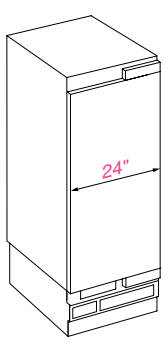
B

C

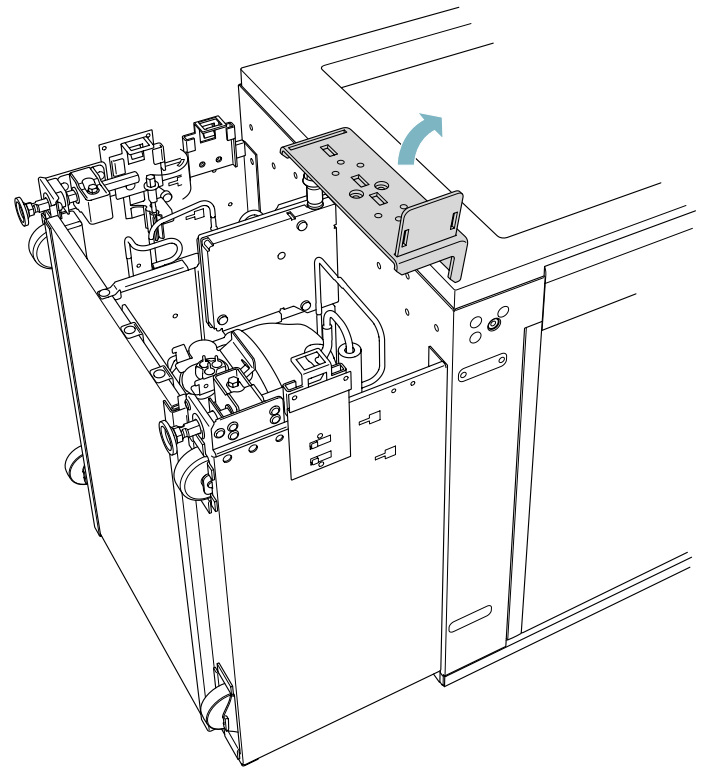
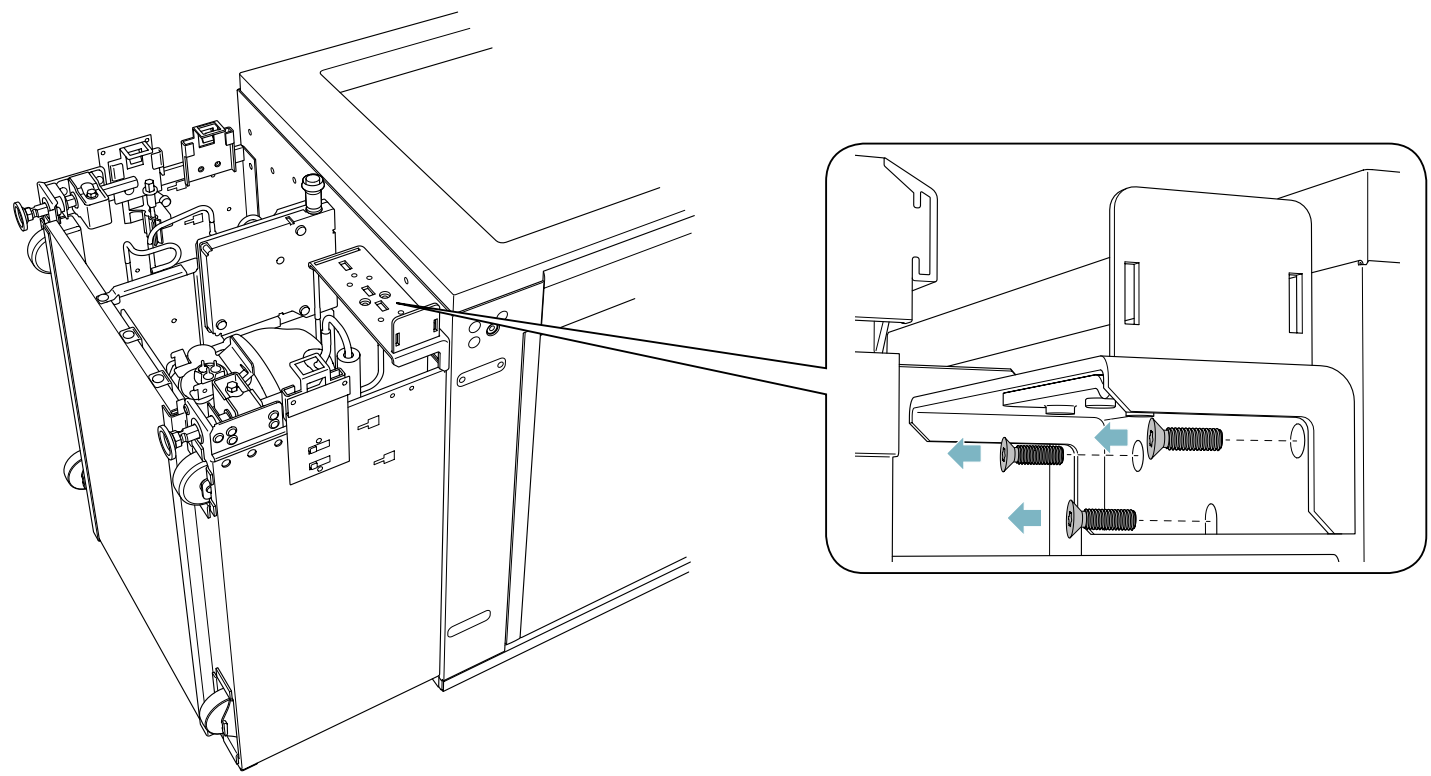
D



22



→25

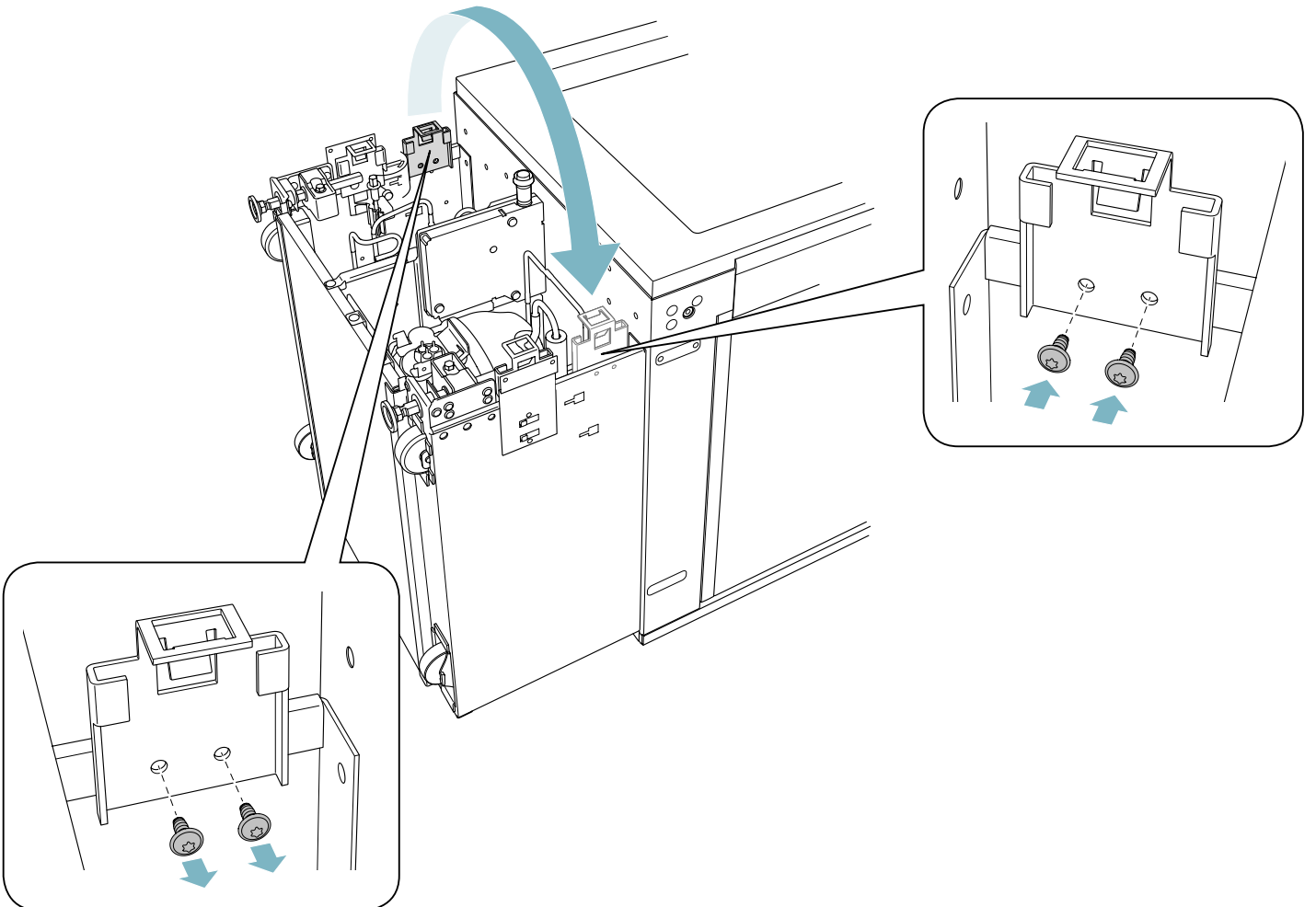
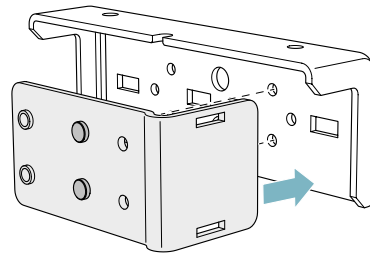
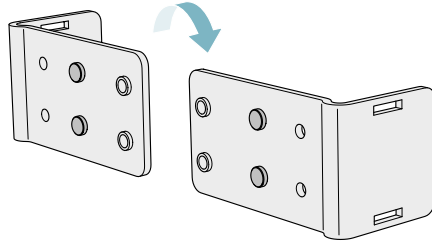
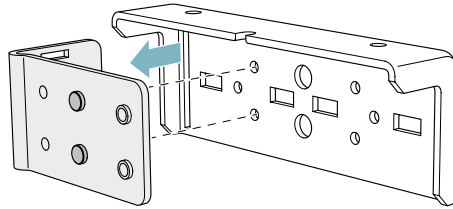


A

B

C

D

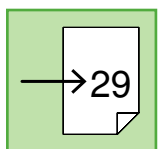
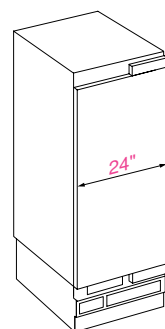
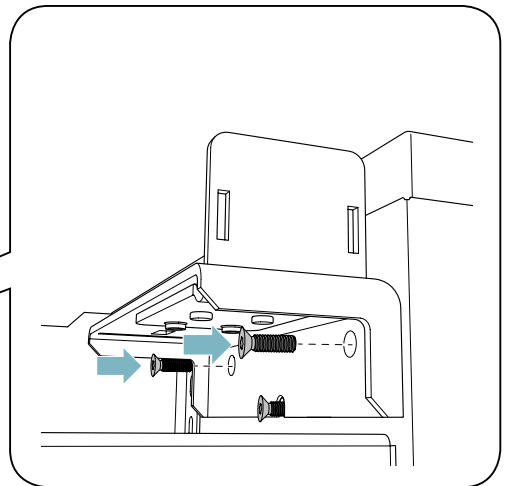
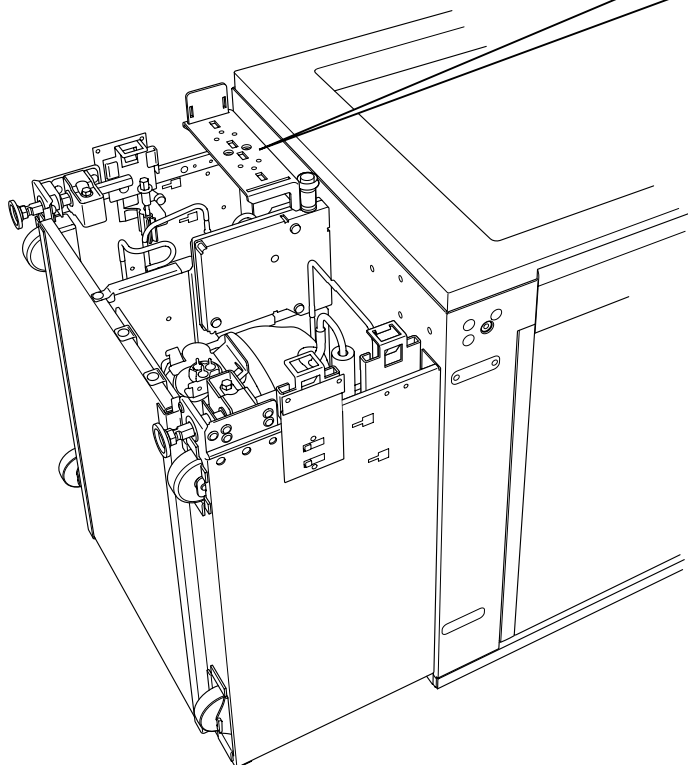
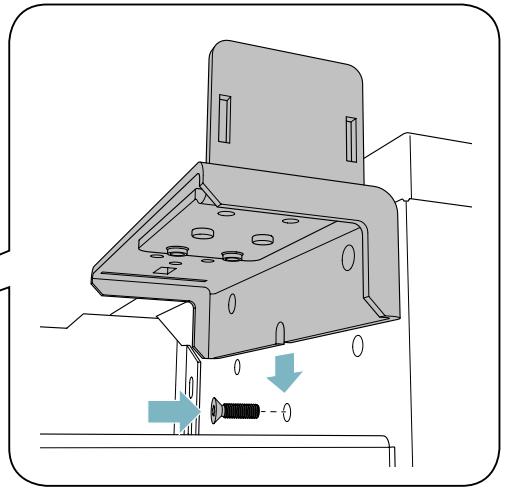
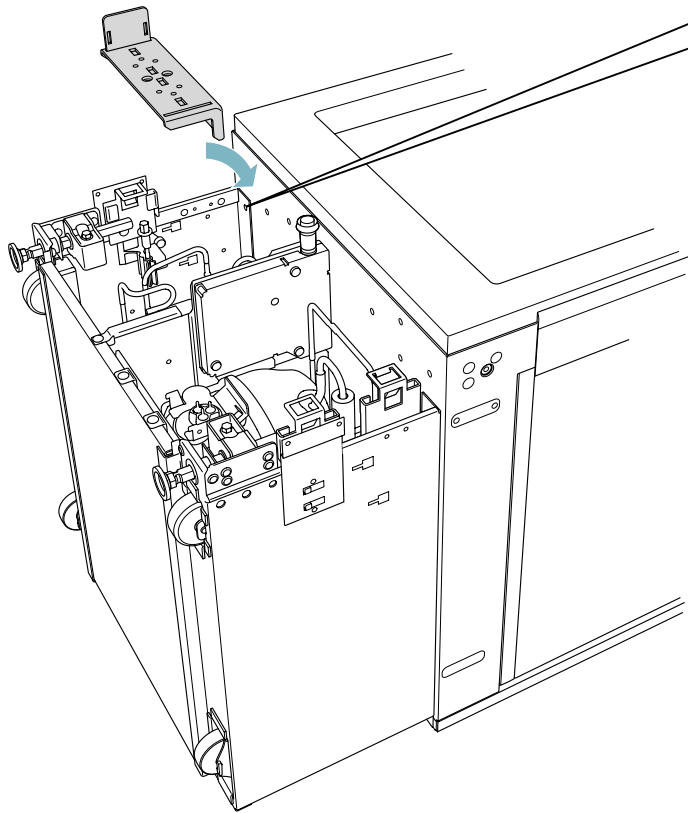


A

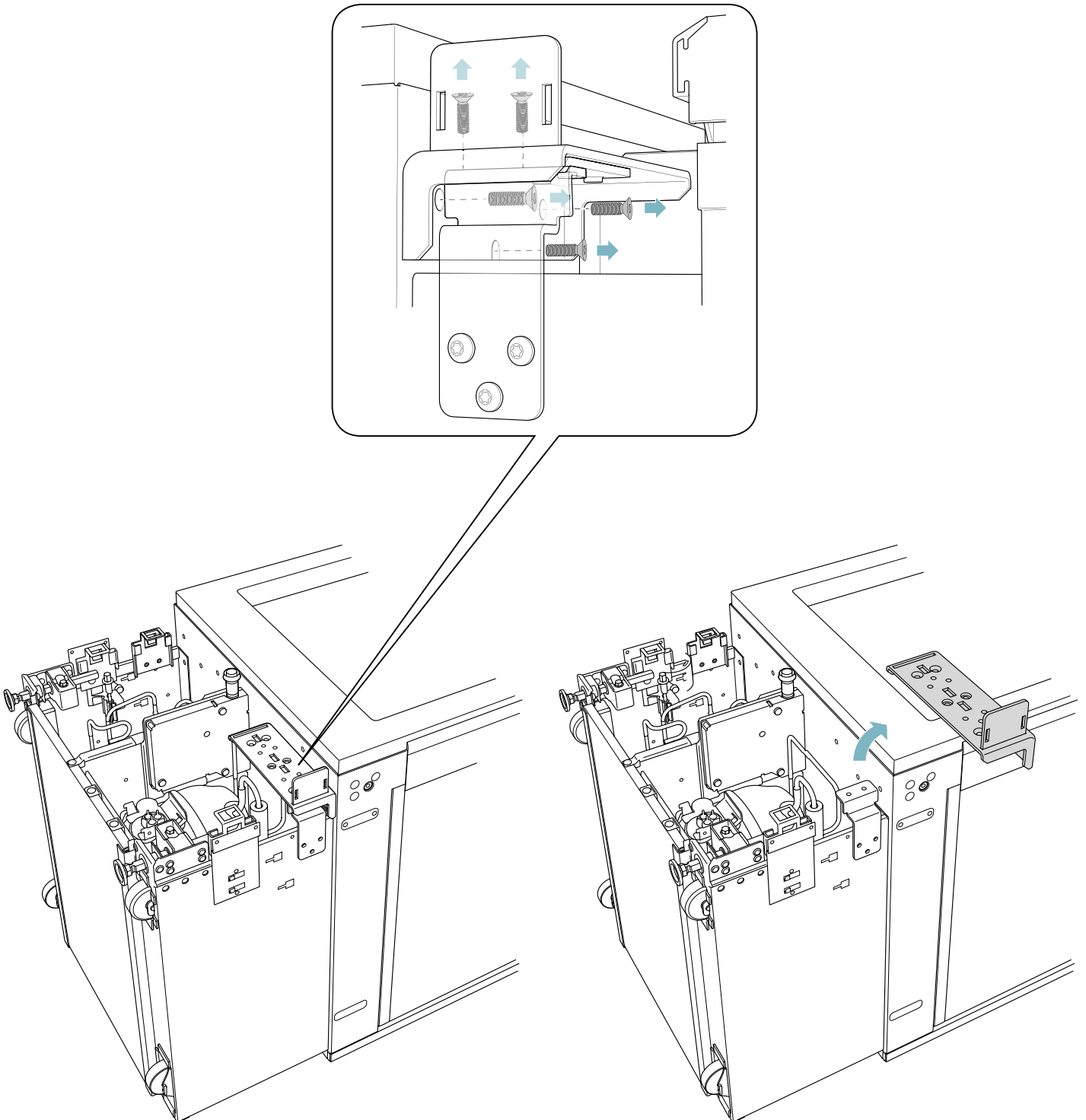
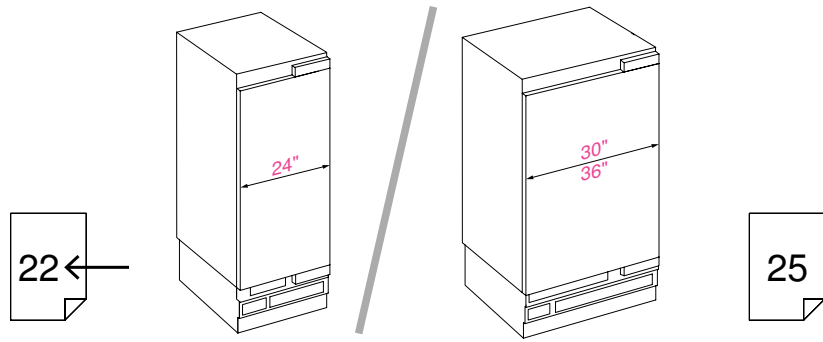
B

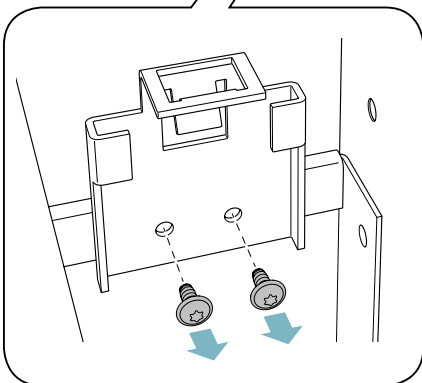
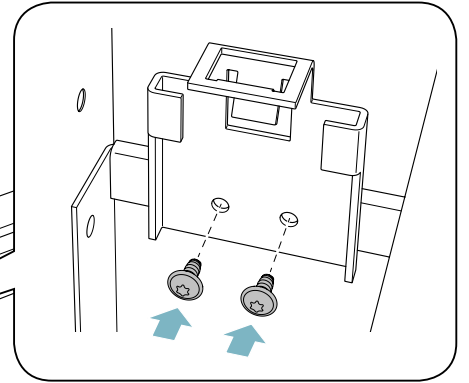
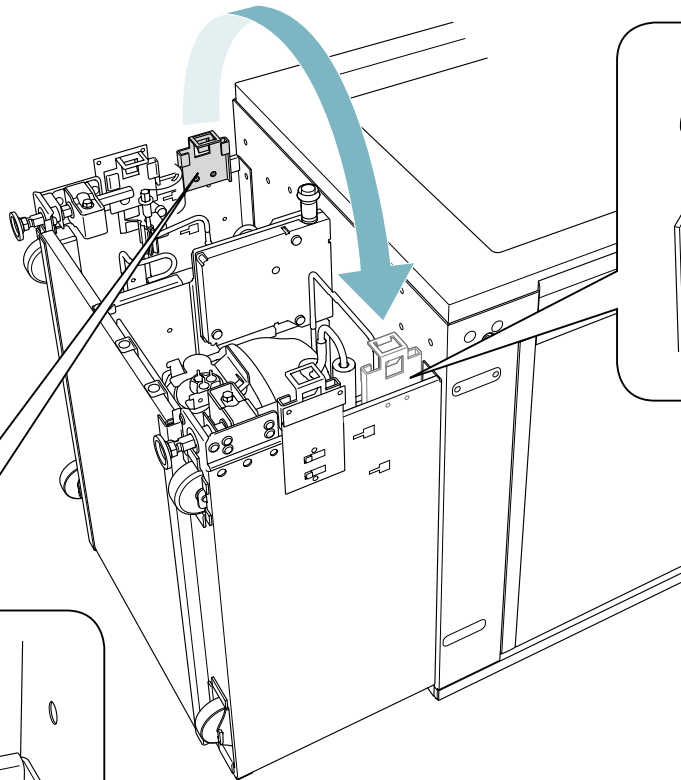
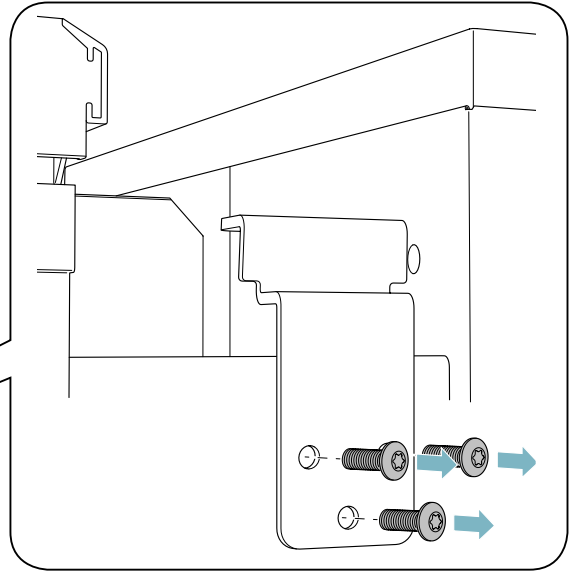
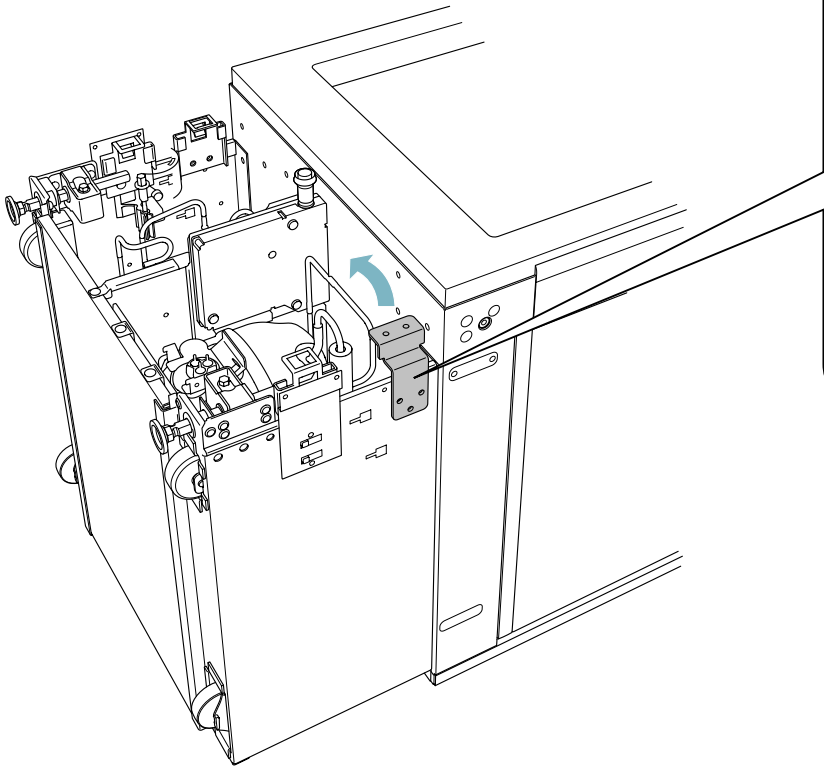
C

D

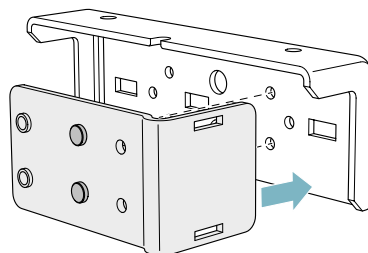
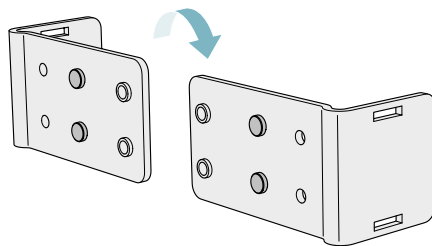
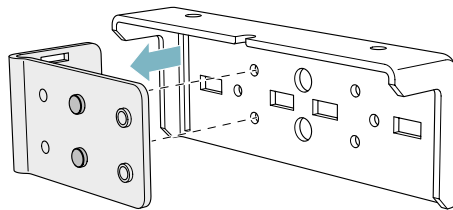
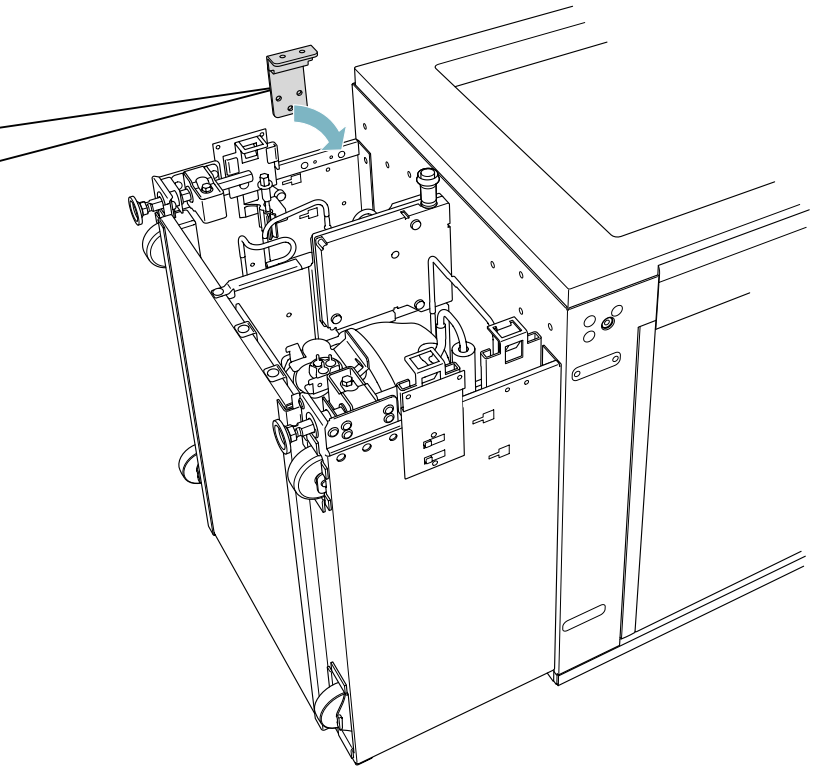
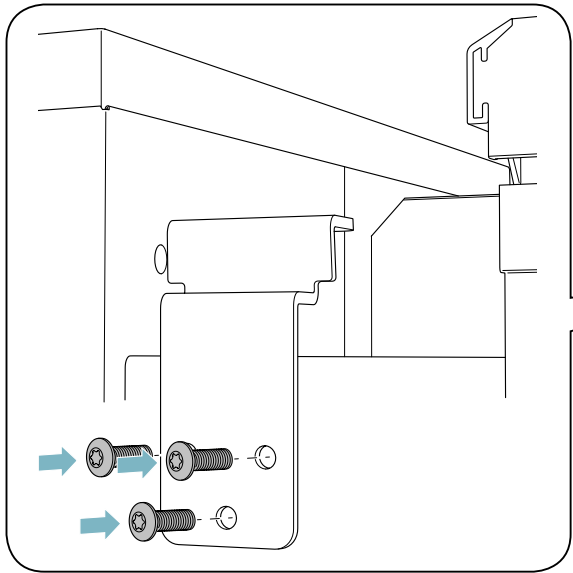


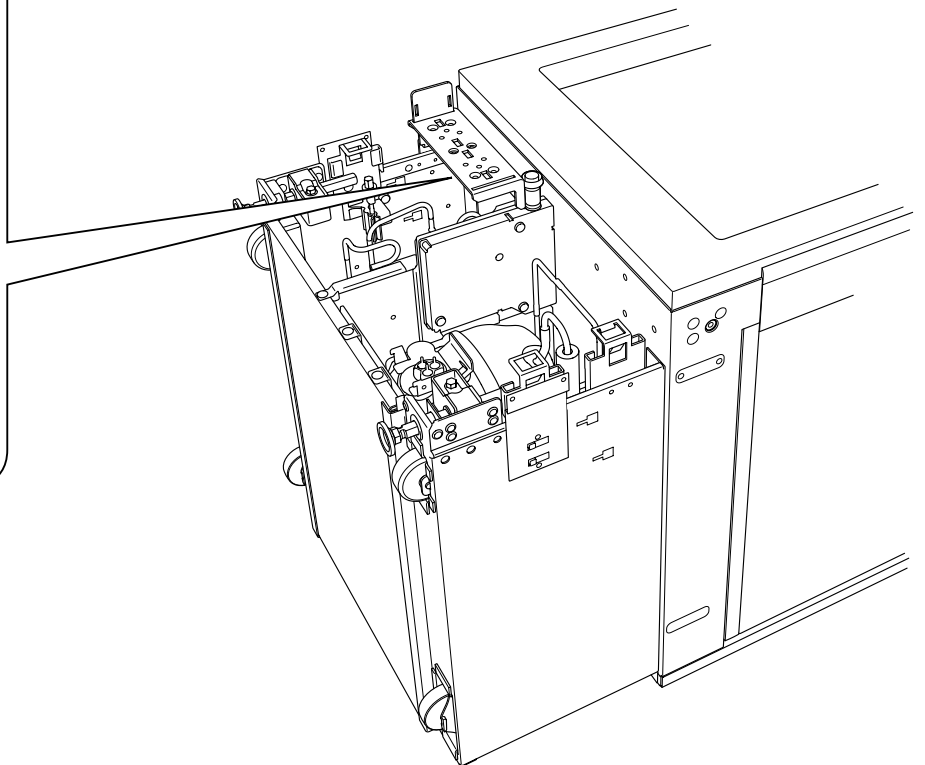
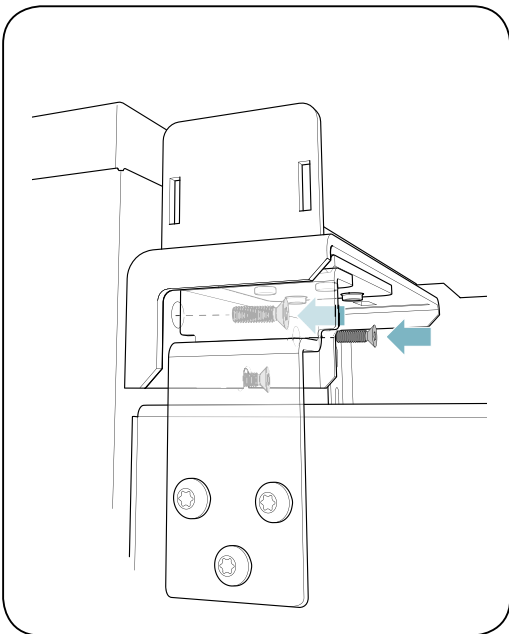
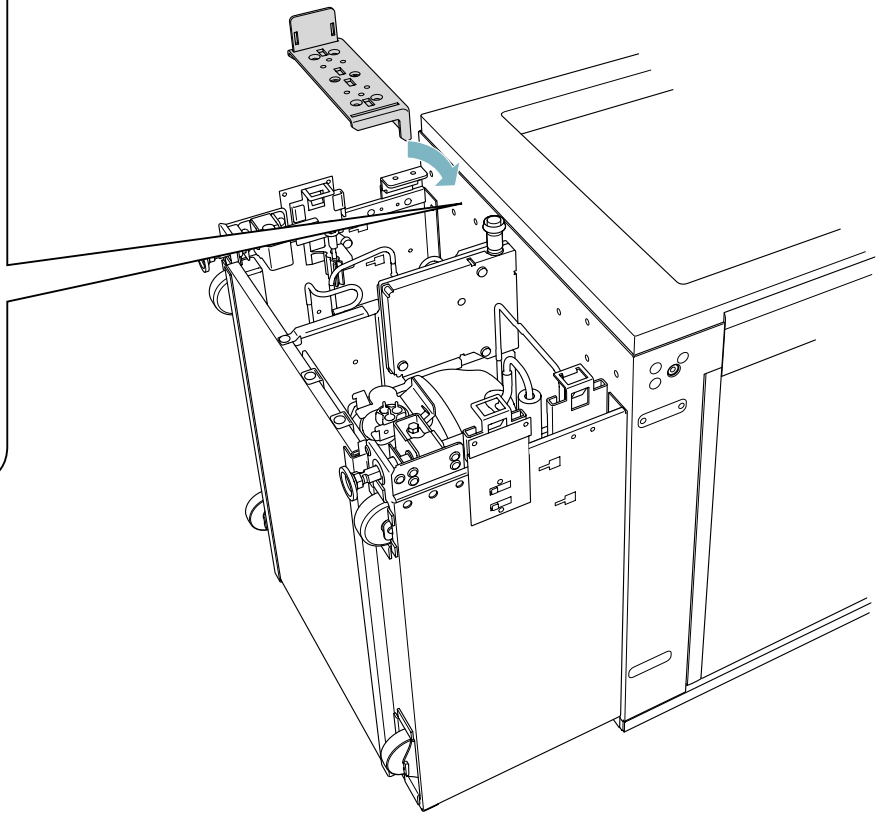
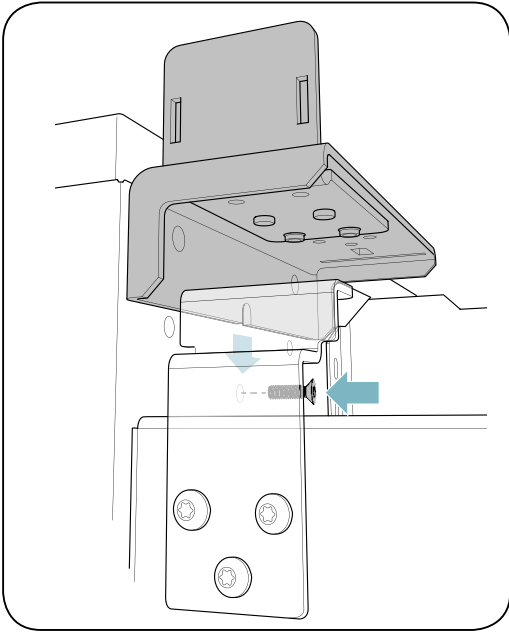
A
B
C
D



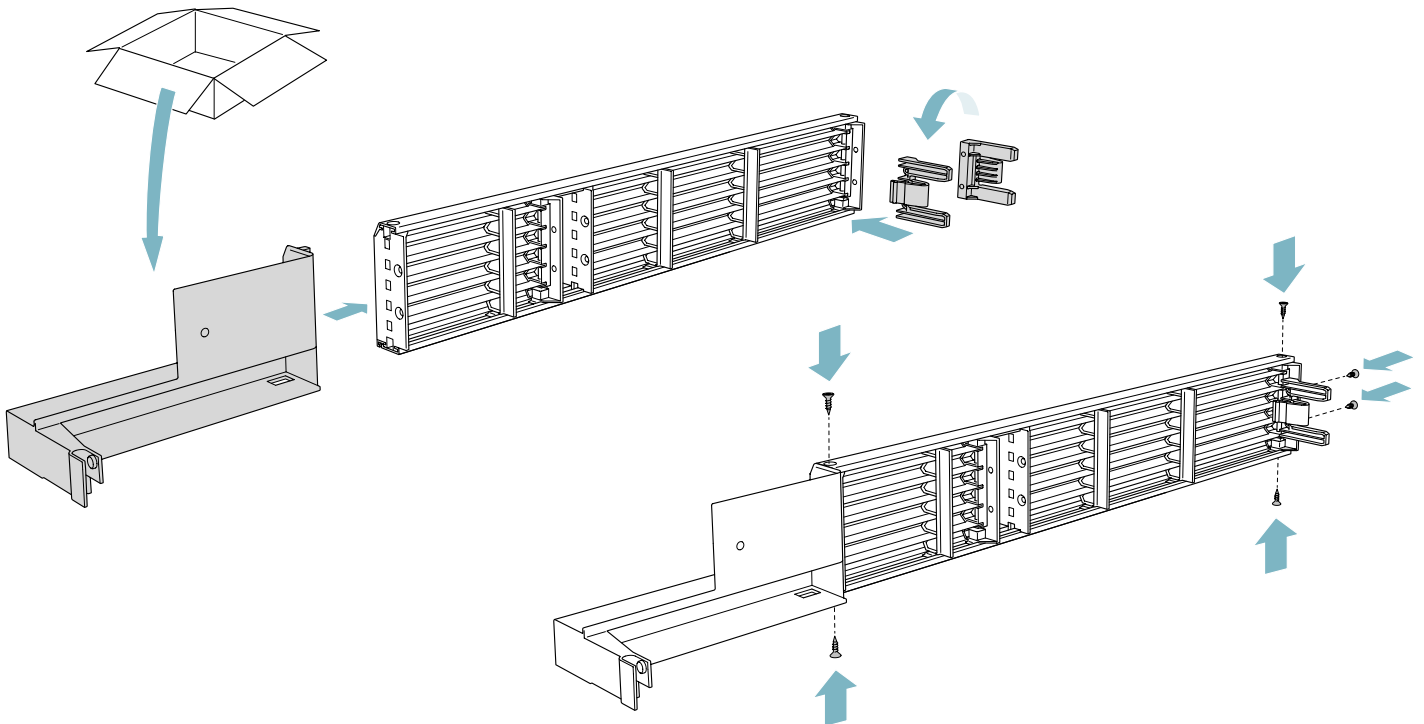
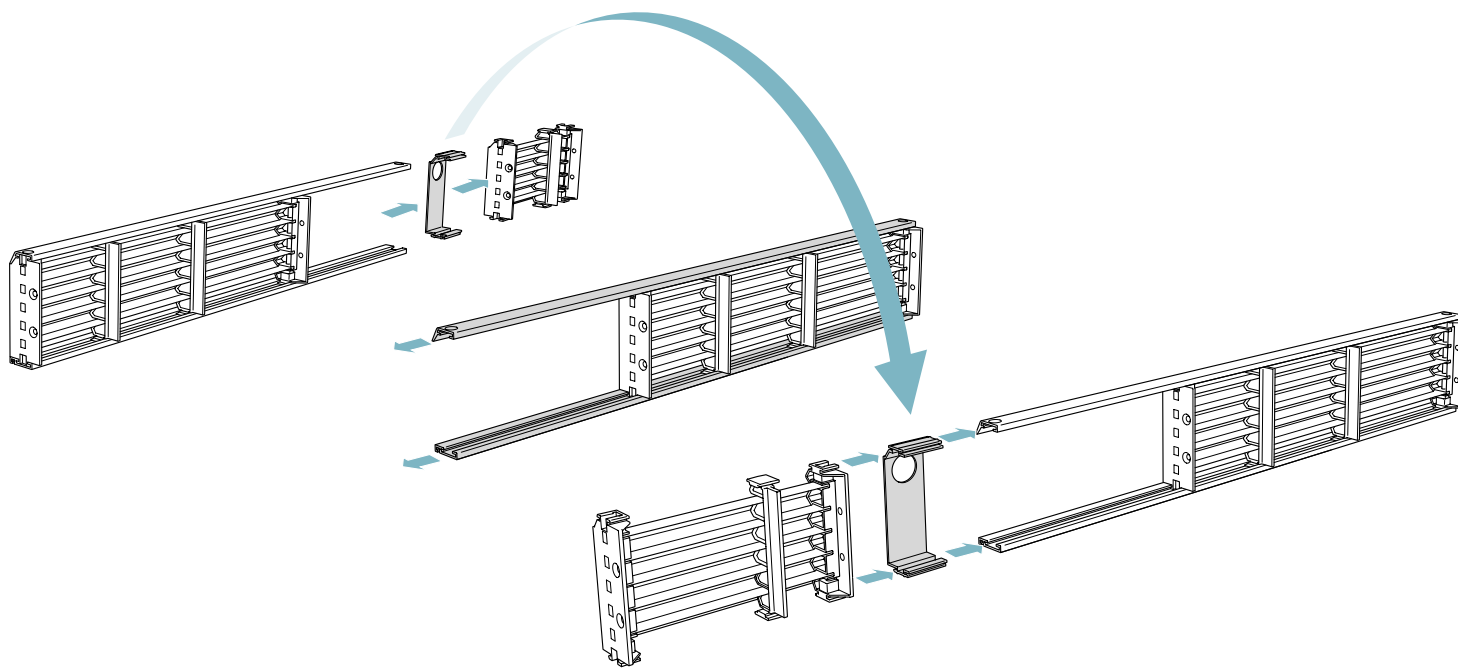
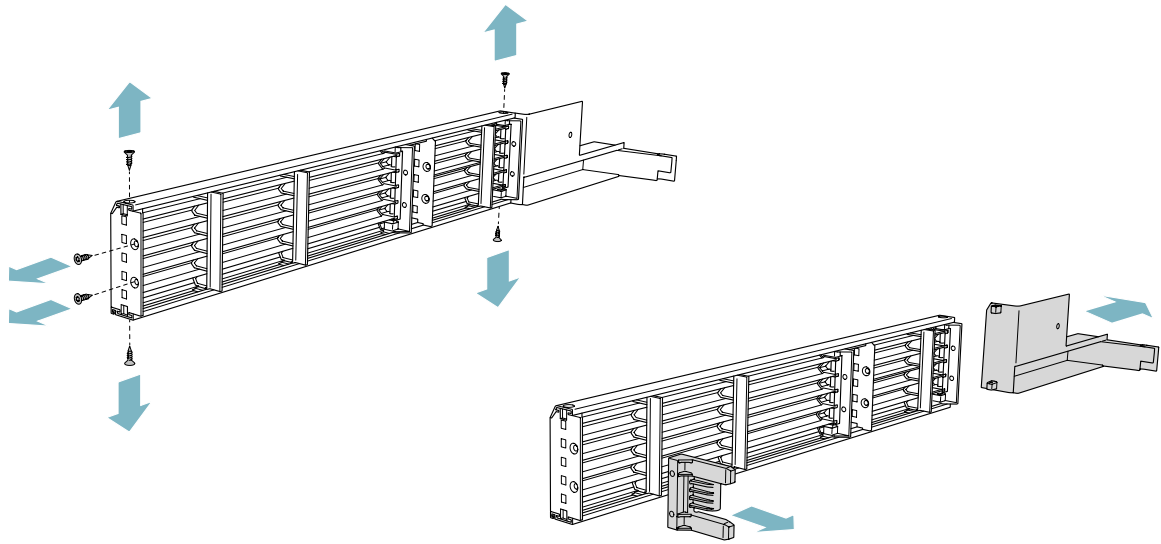


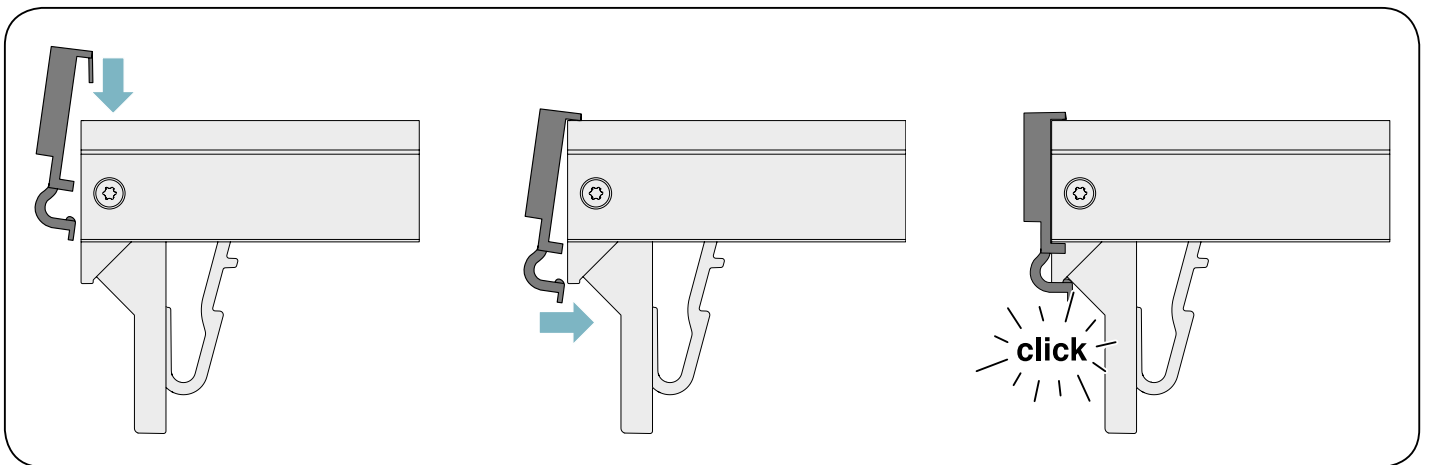
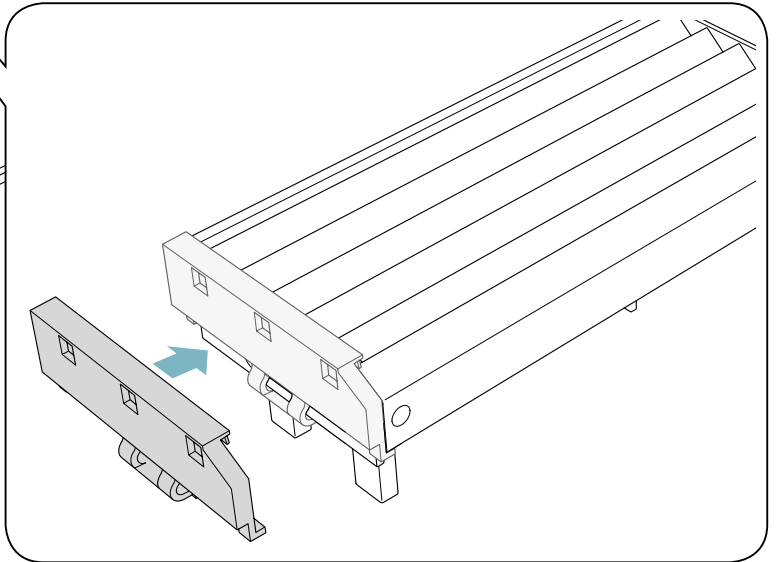
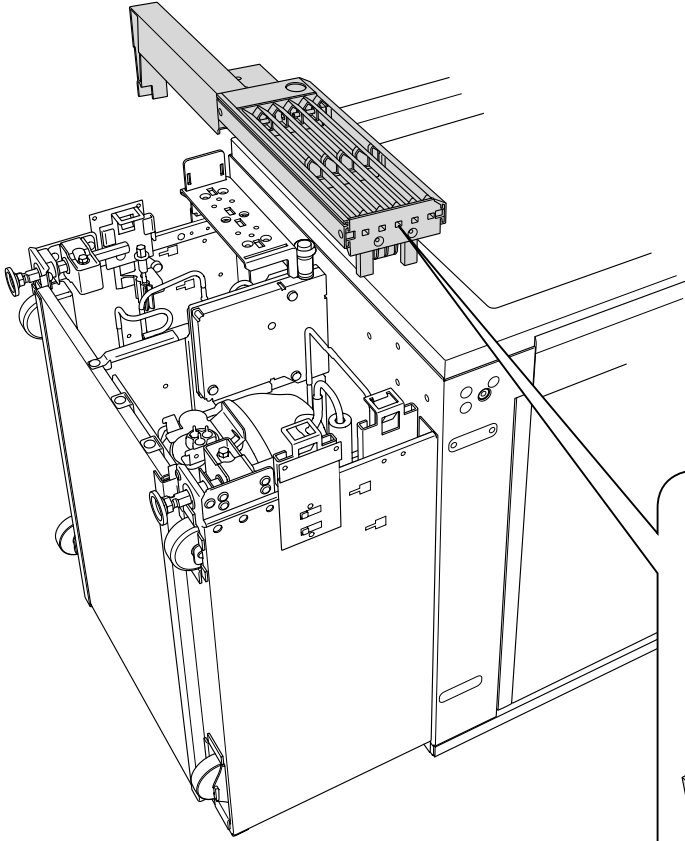
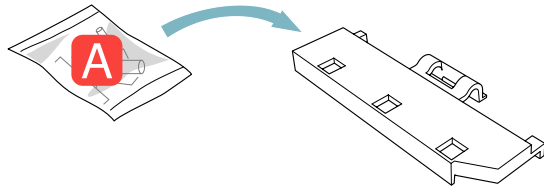
A
B
C
D



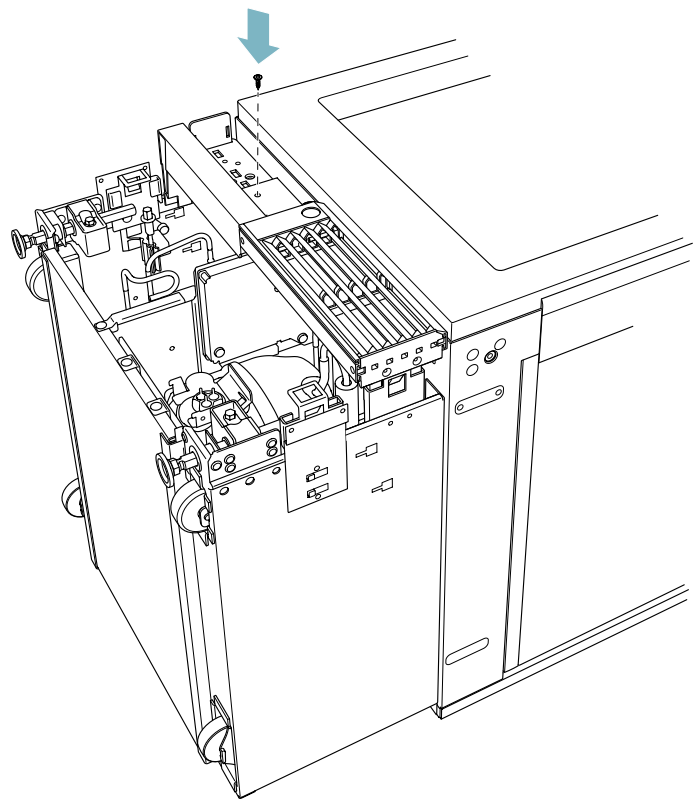
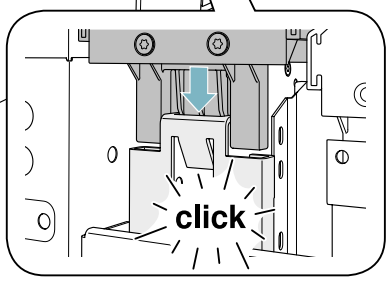
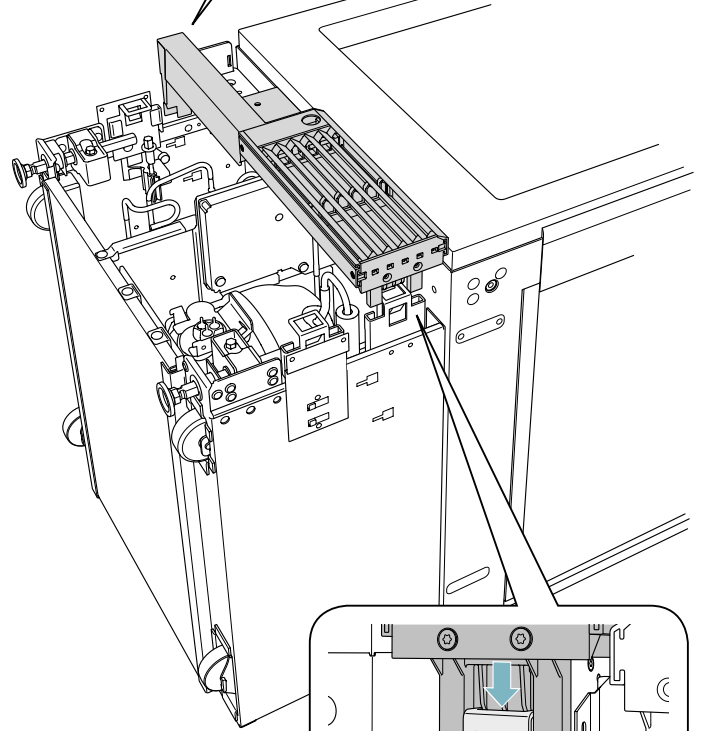
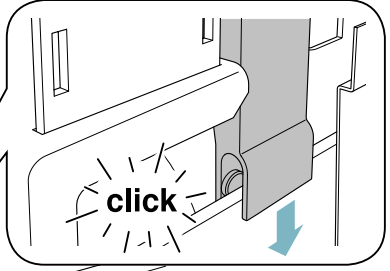
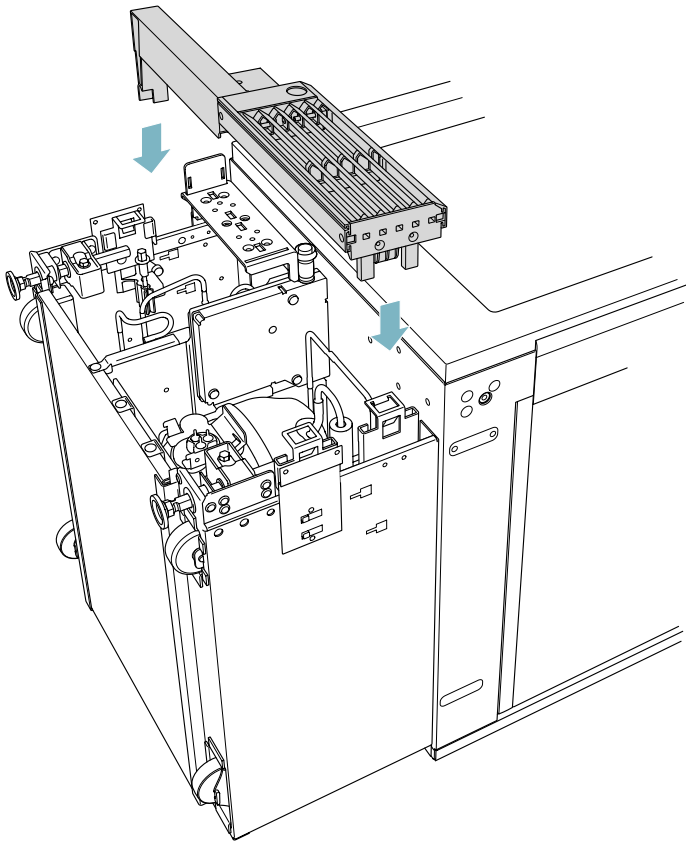


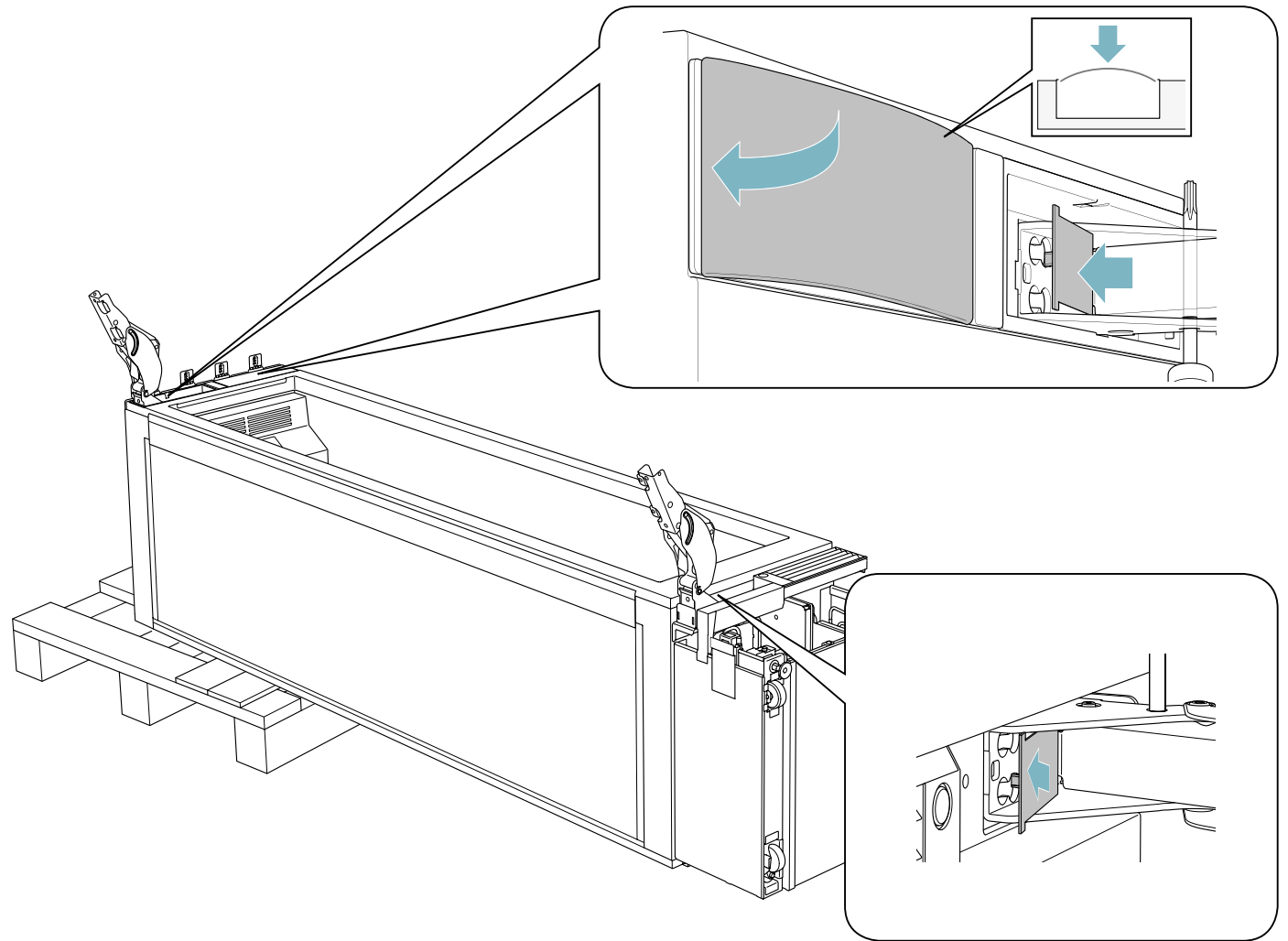
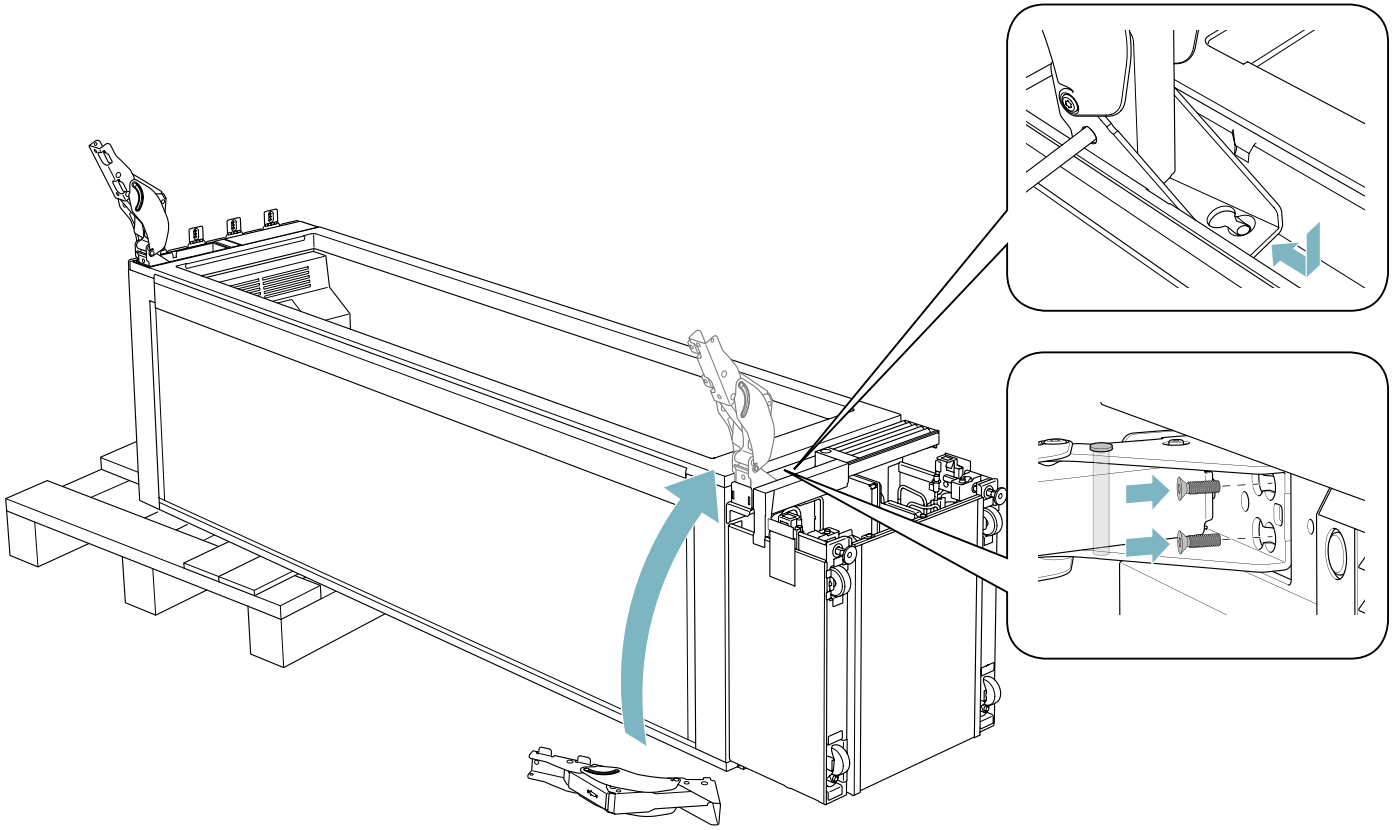
A
B
C
D



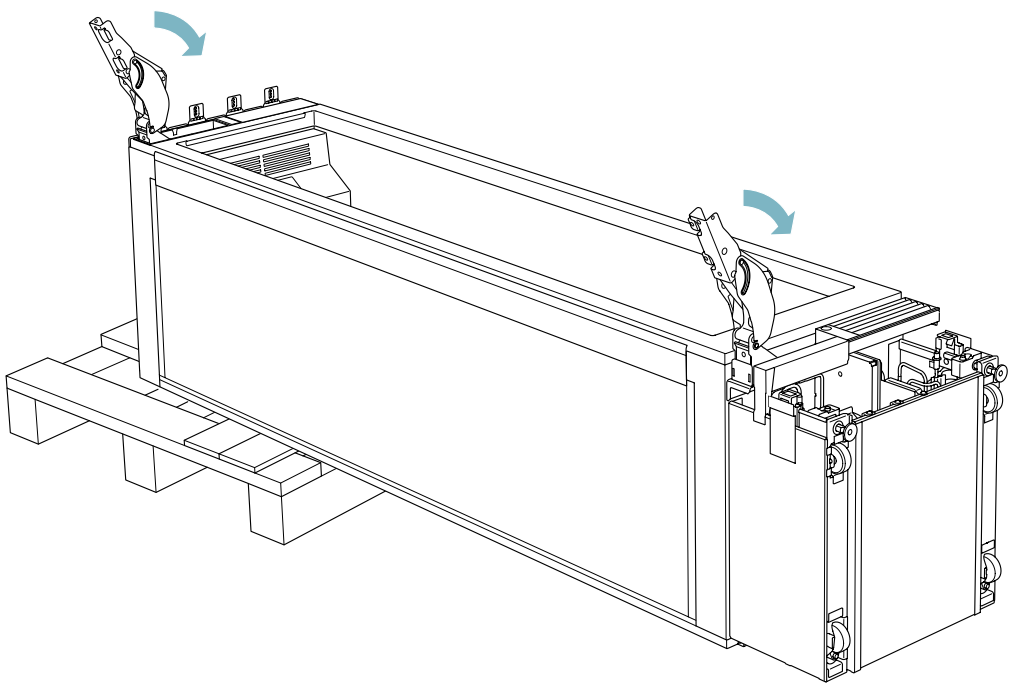
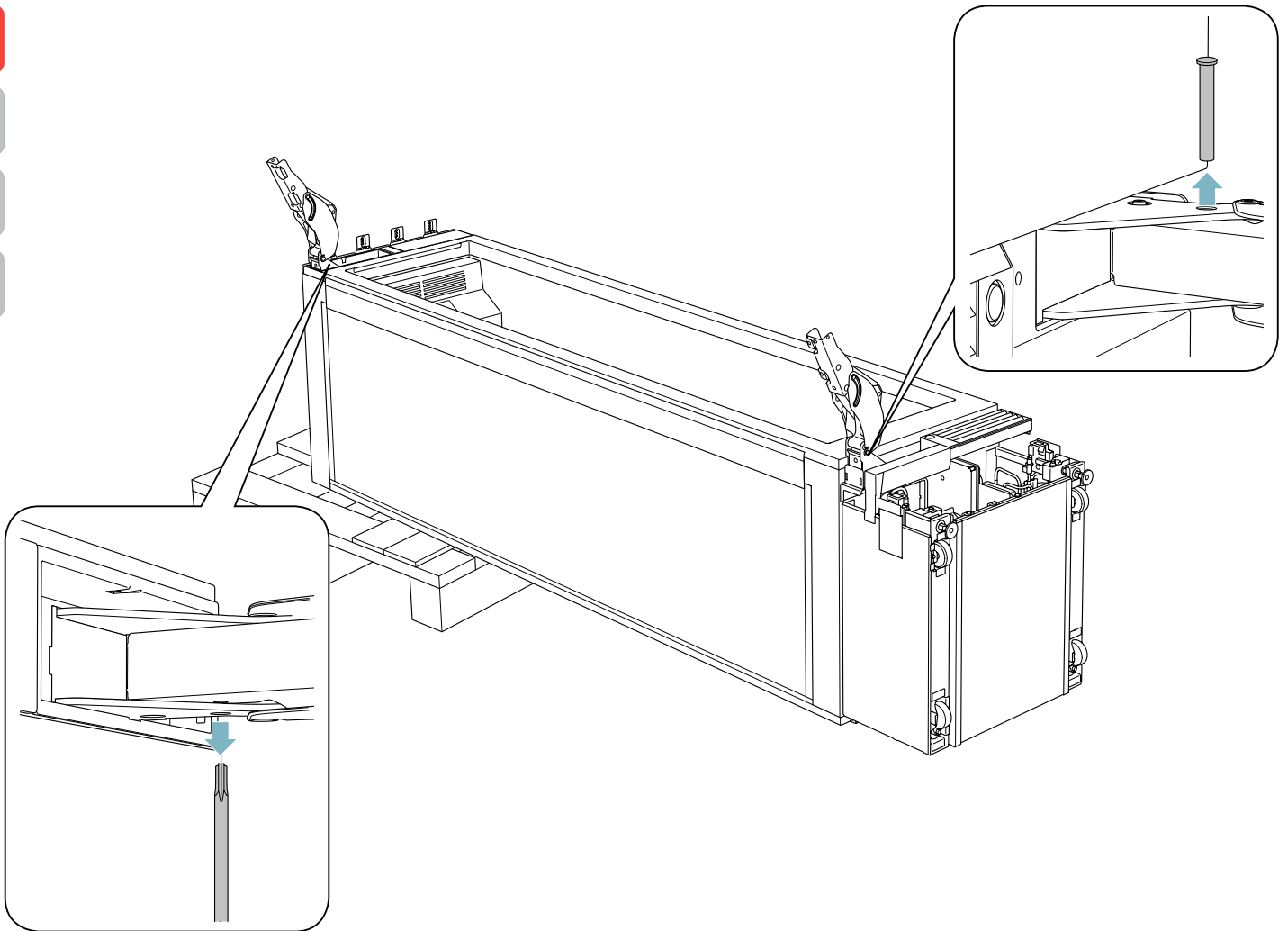


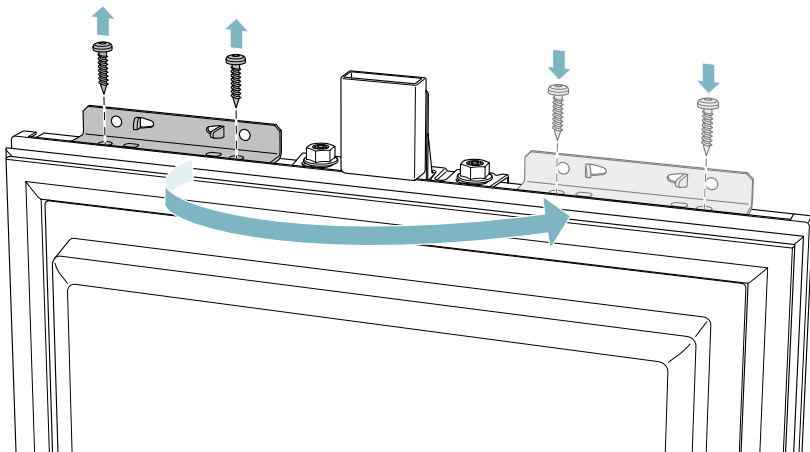
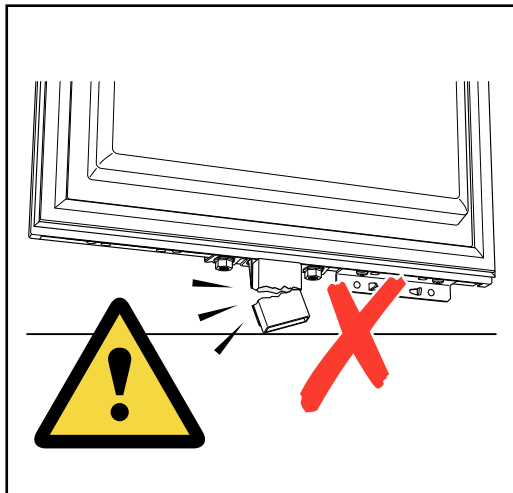
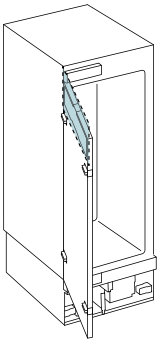
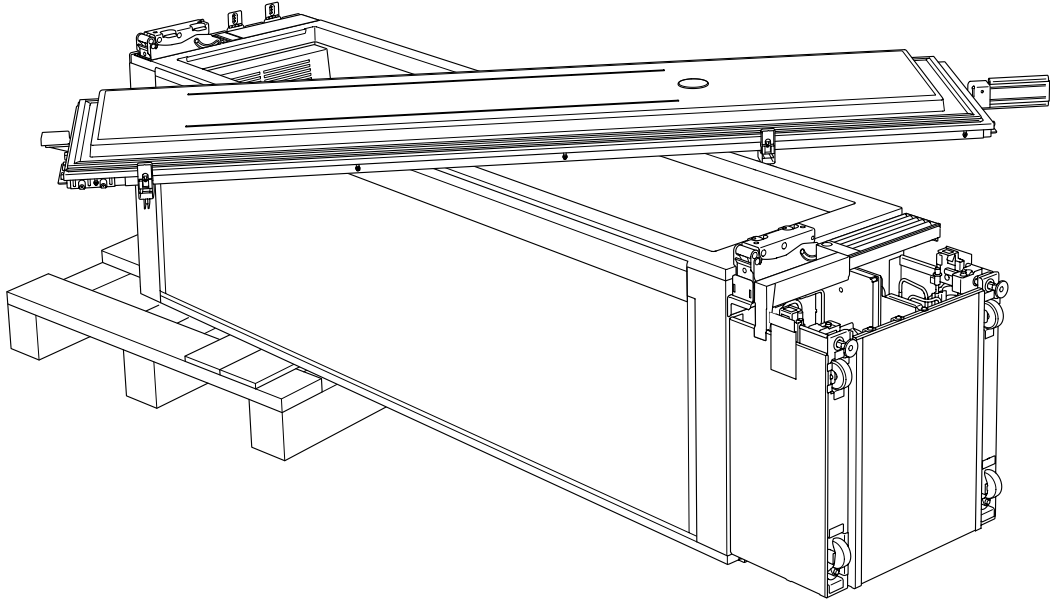
A
B
C
D



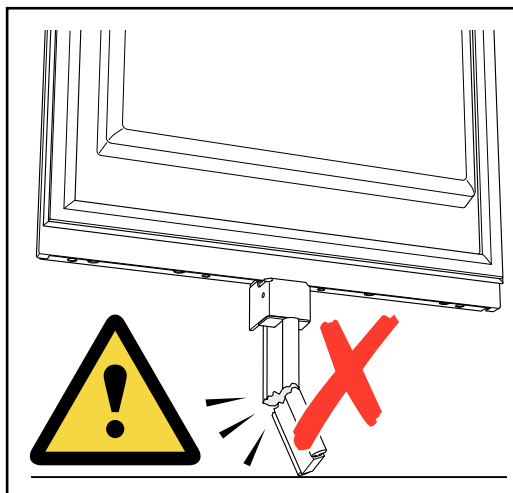
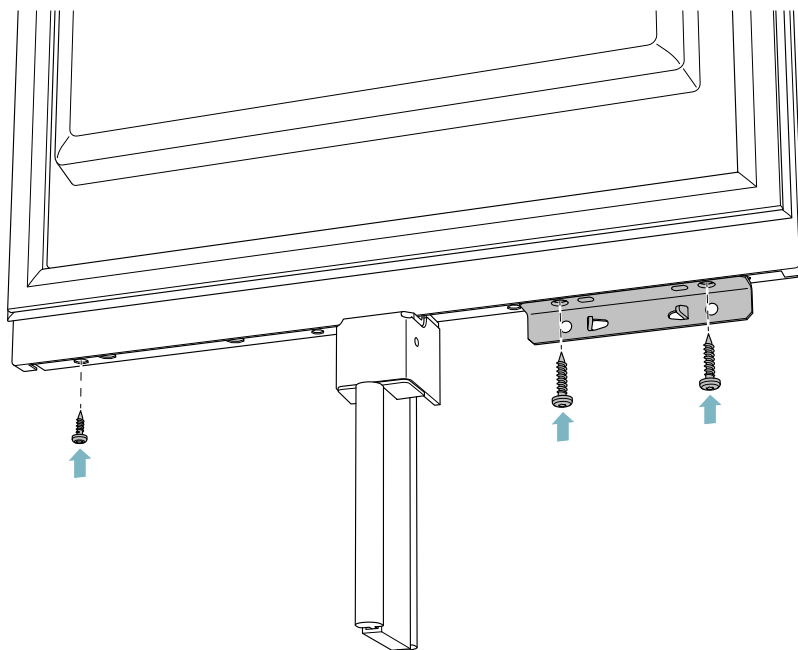
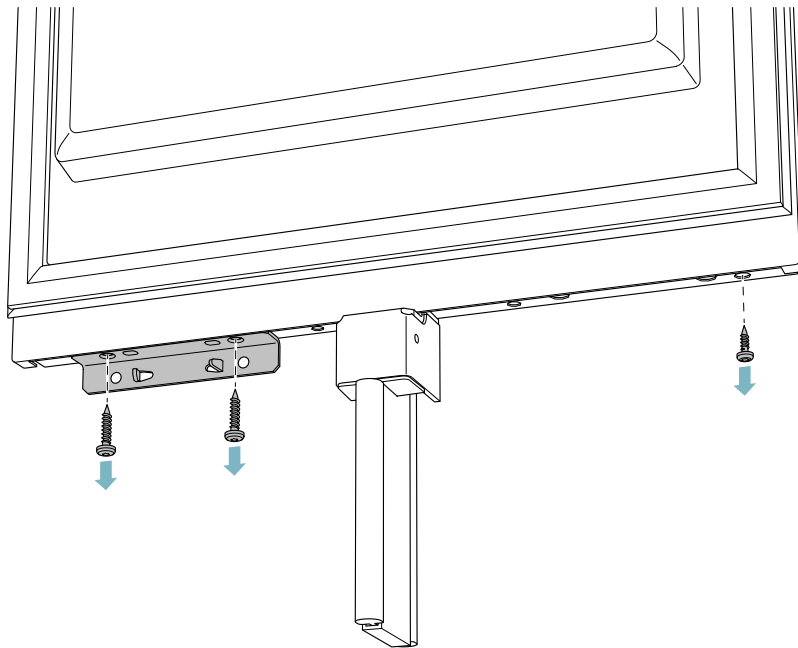
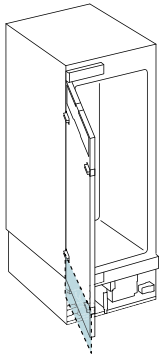


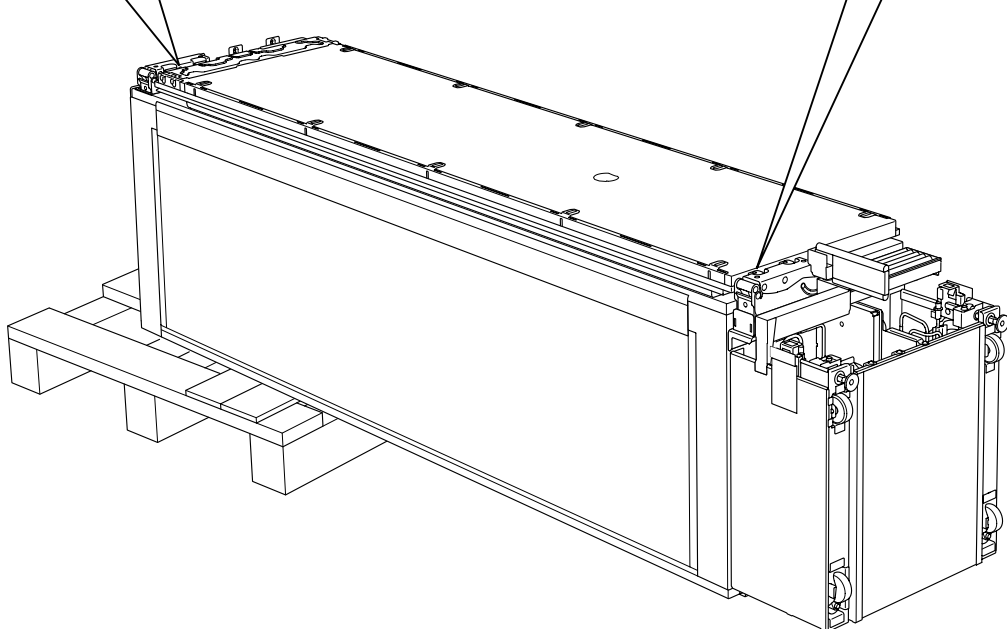
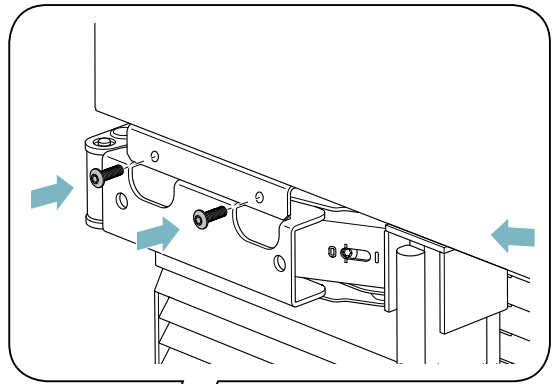
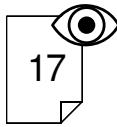
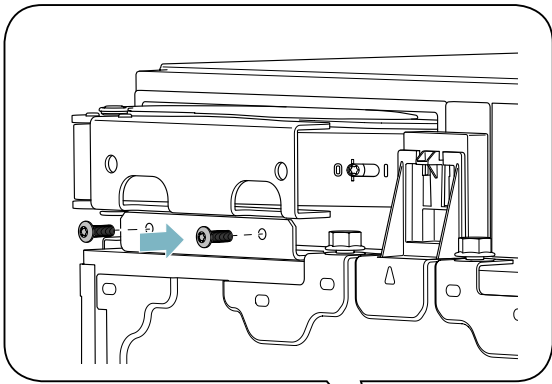
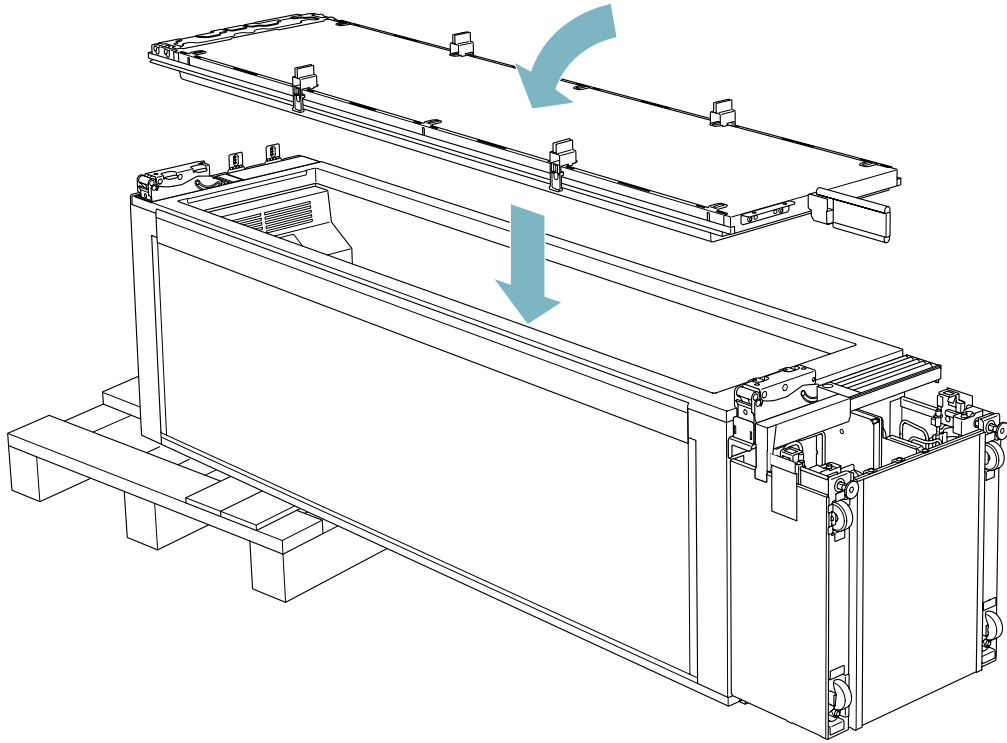
- A
- B
- C
- D





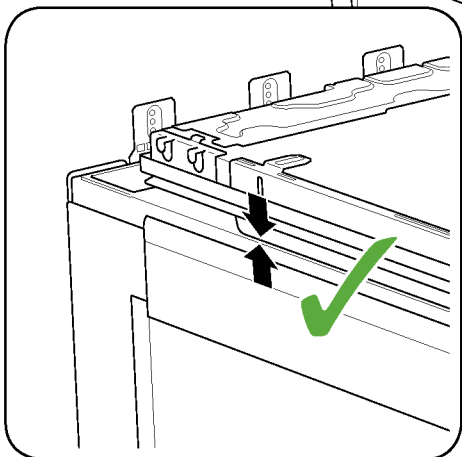
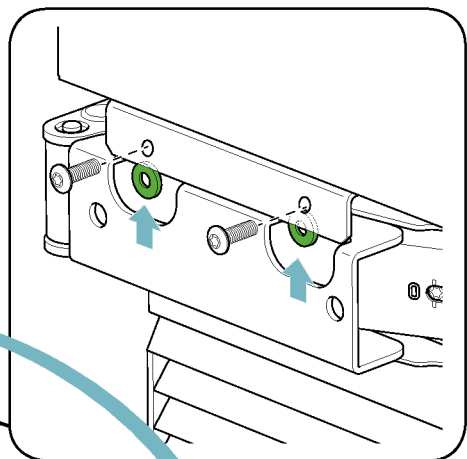
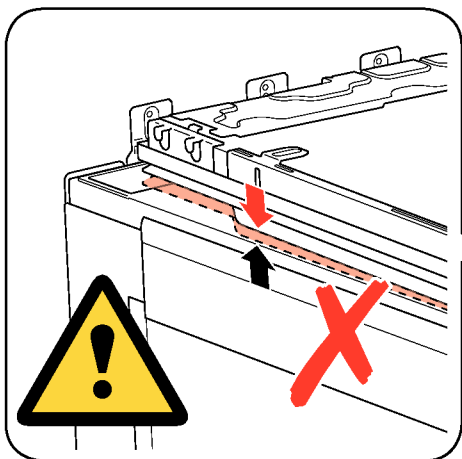
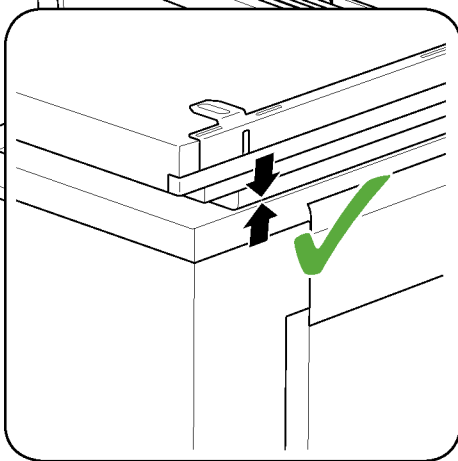
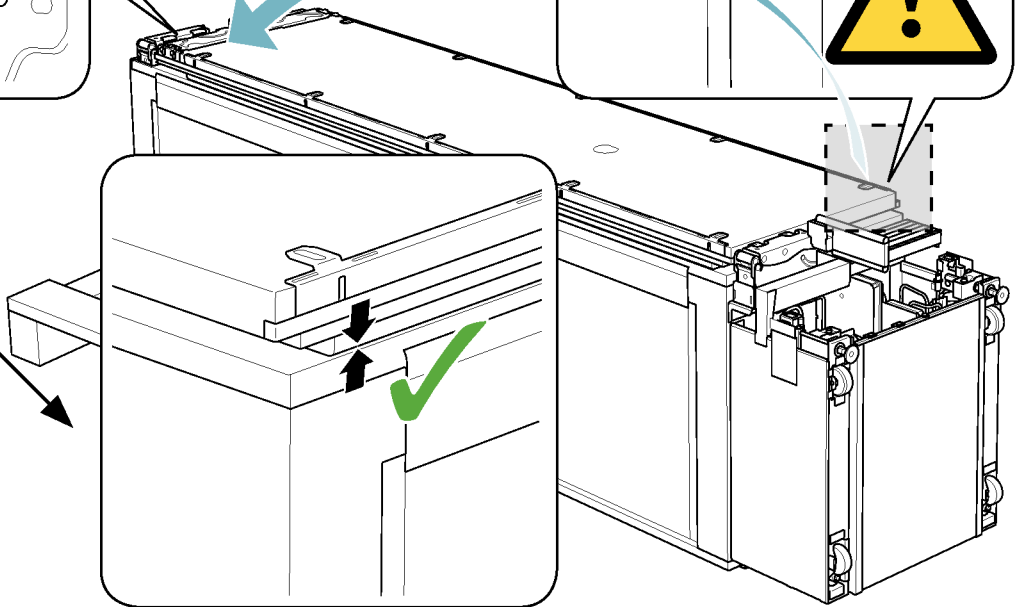
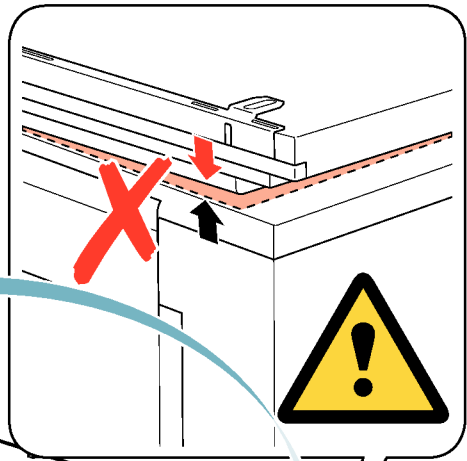
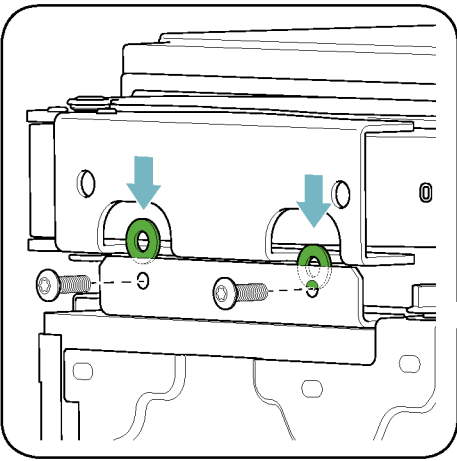
- A
- B
- C
- D

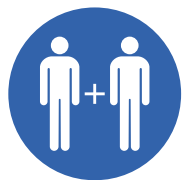
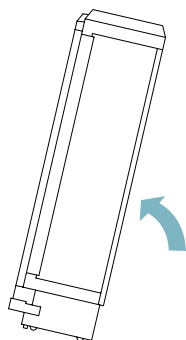
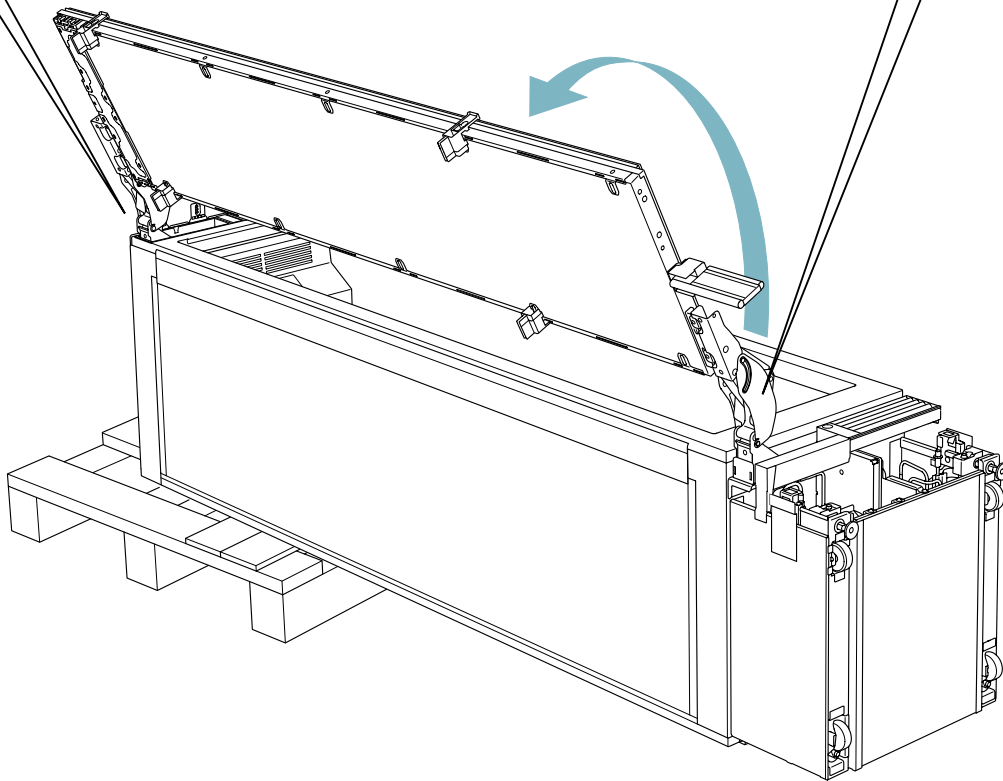
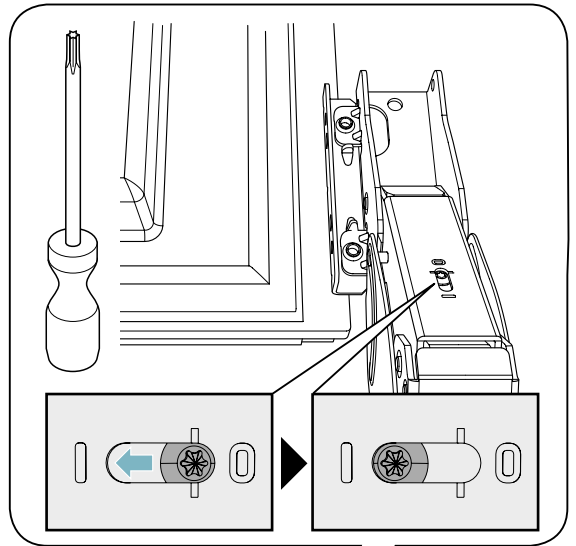
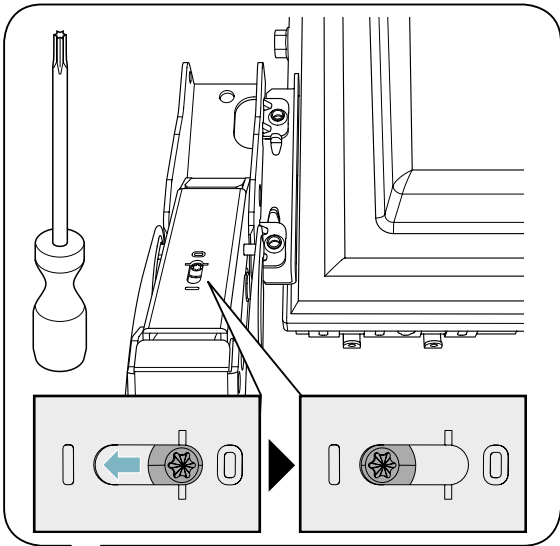




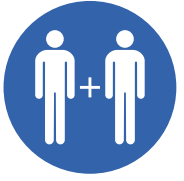
A
B
C
D

17 

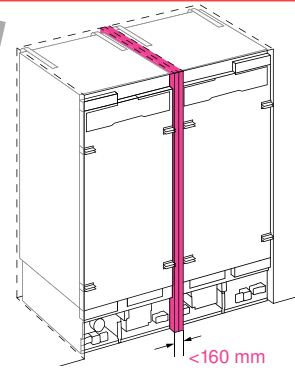
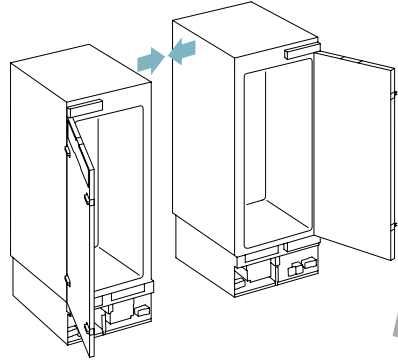




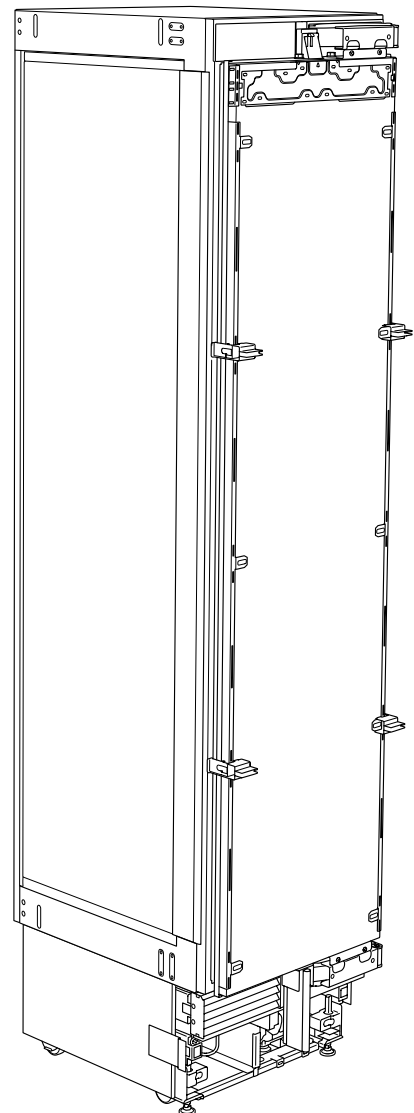
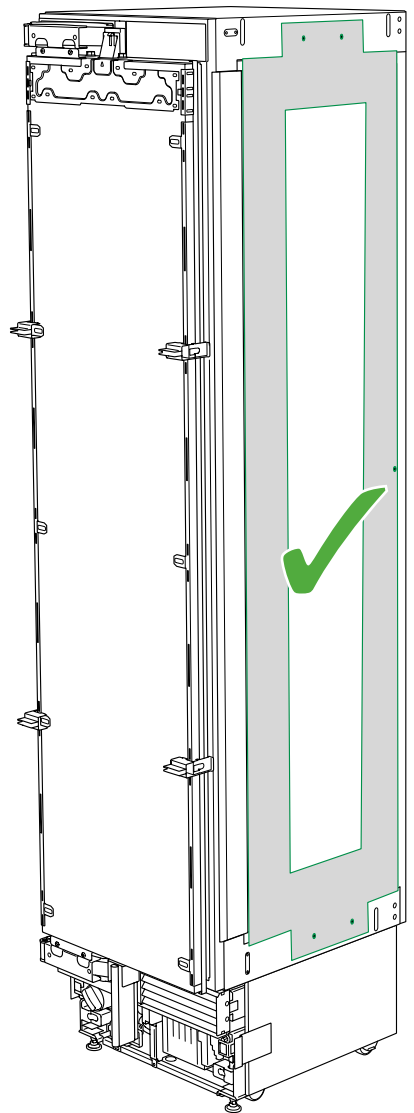
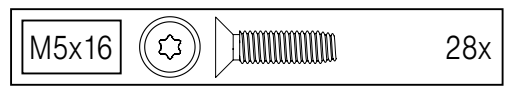
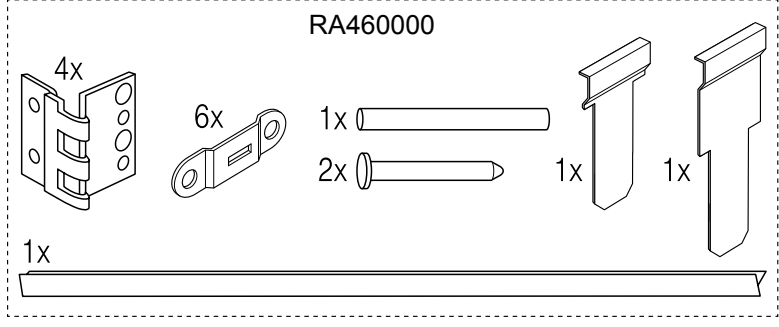
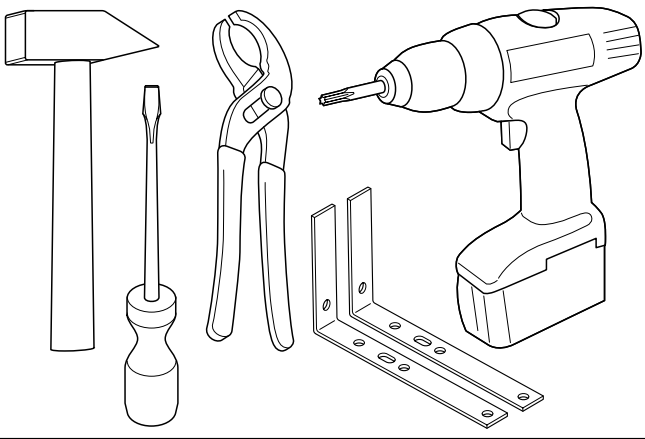
A
B
C
D





38

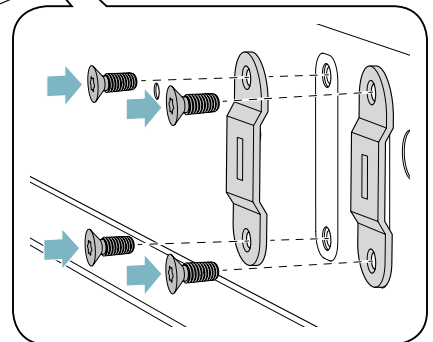
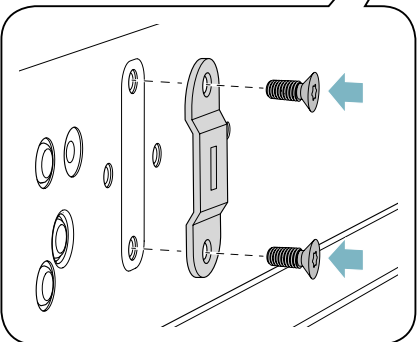
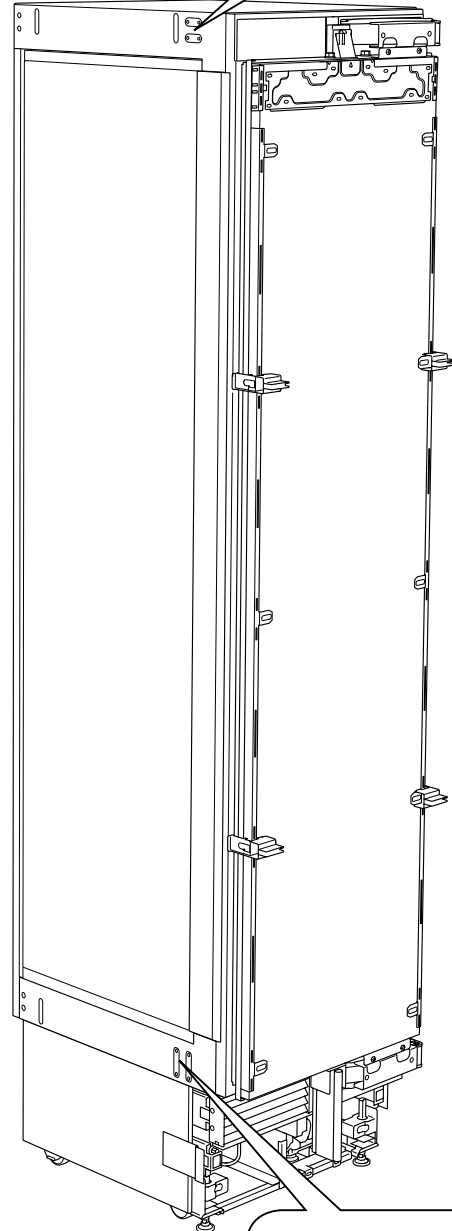
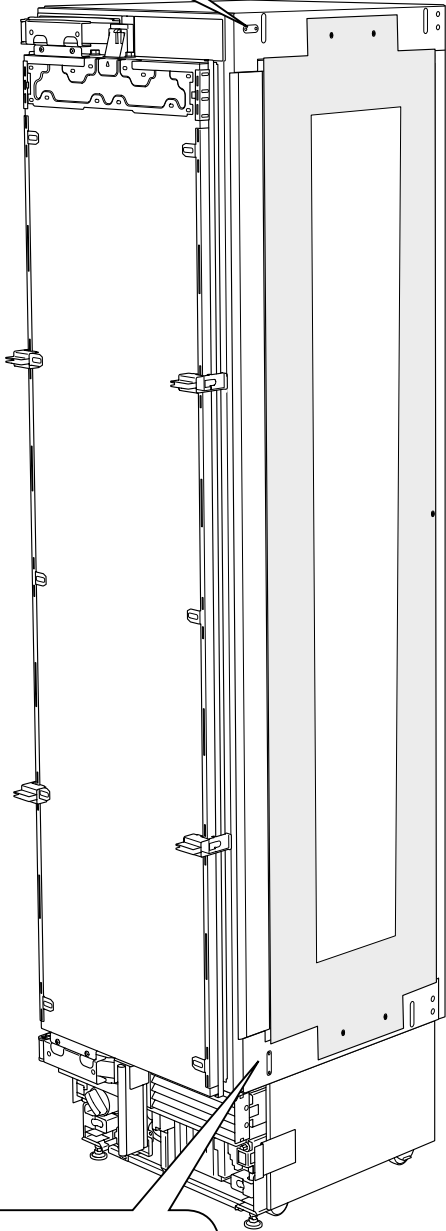
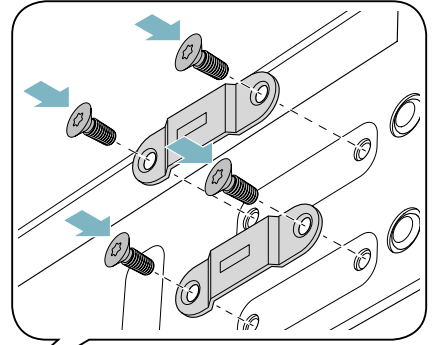
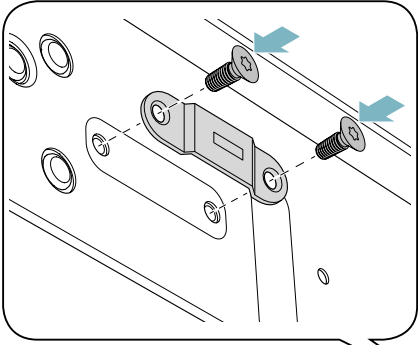


→ 44



M5x16   12x

A
B
C
D





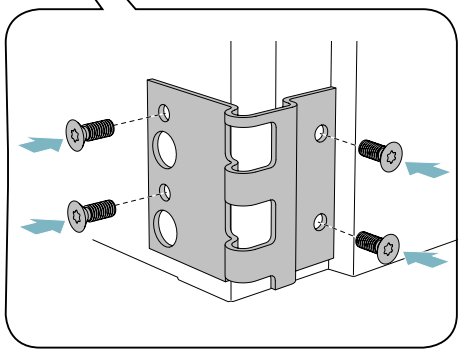
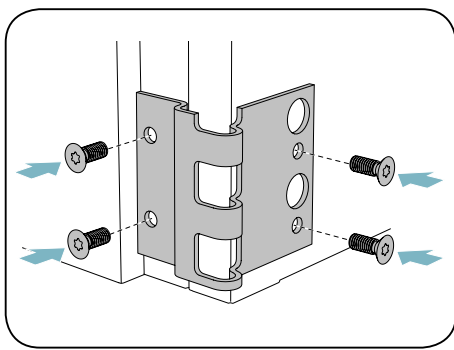
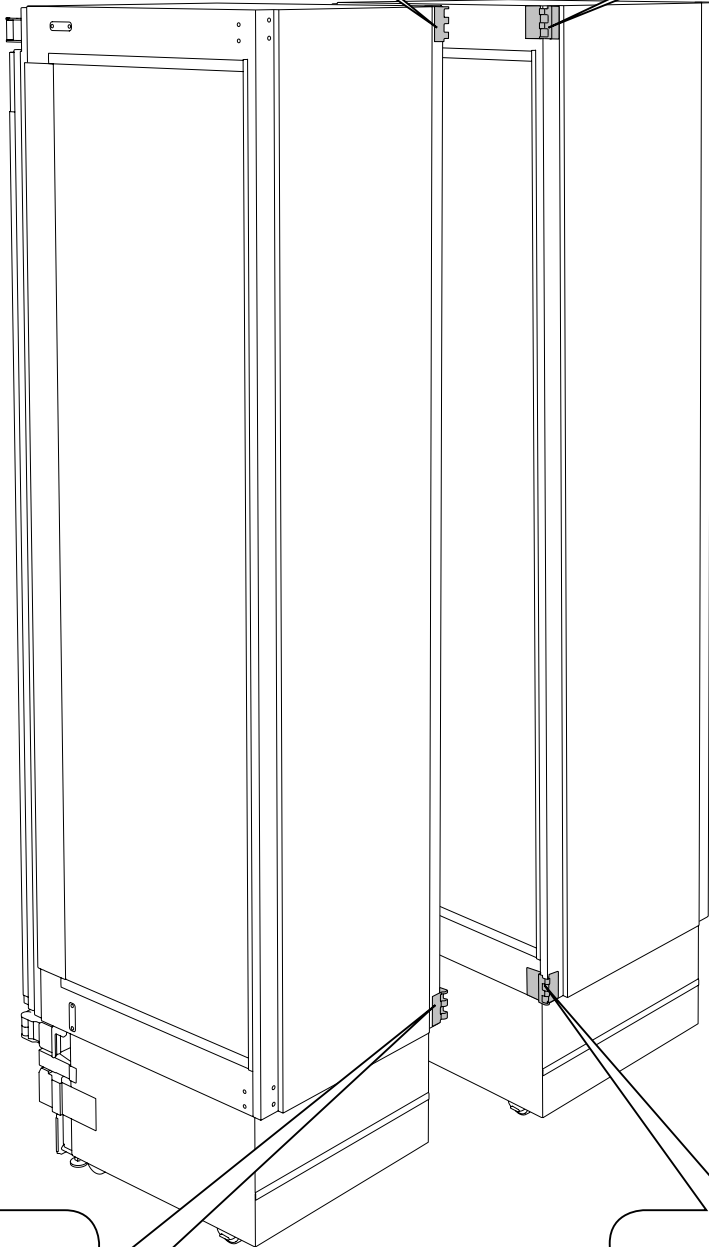
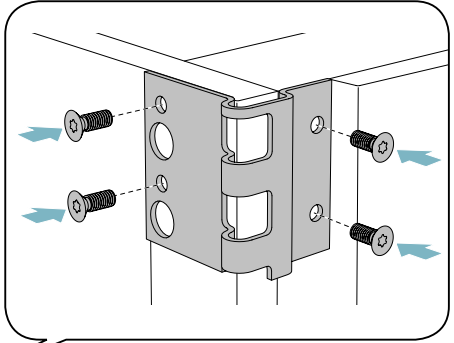
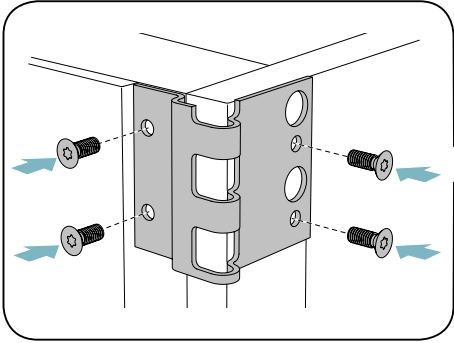
A

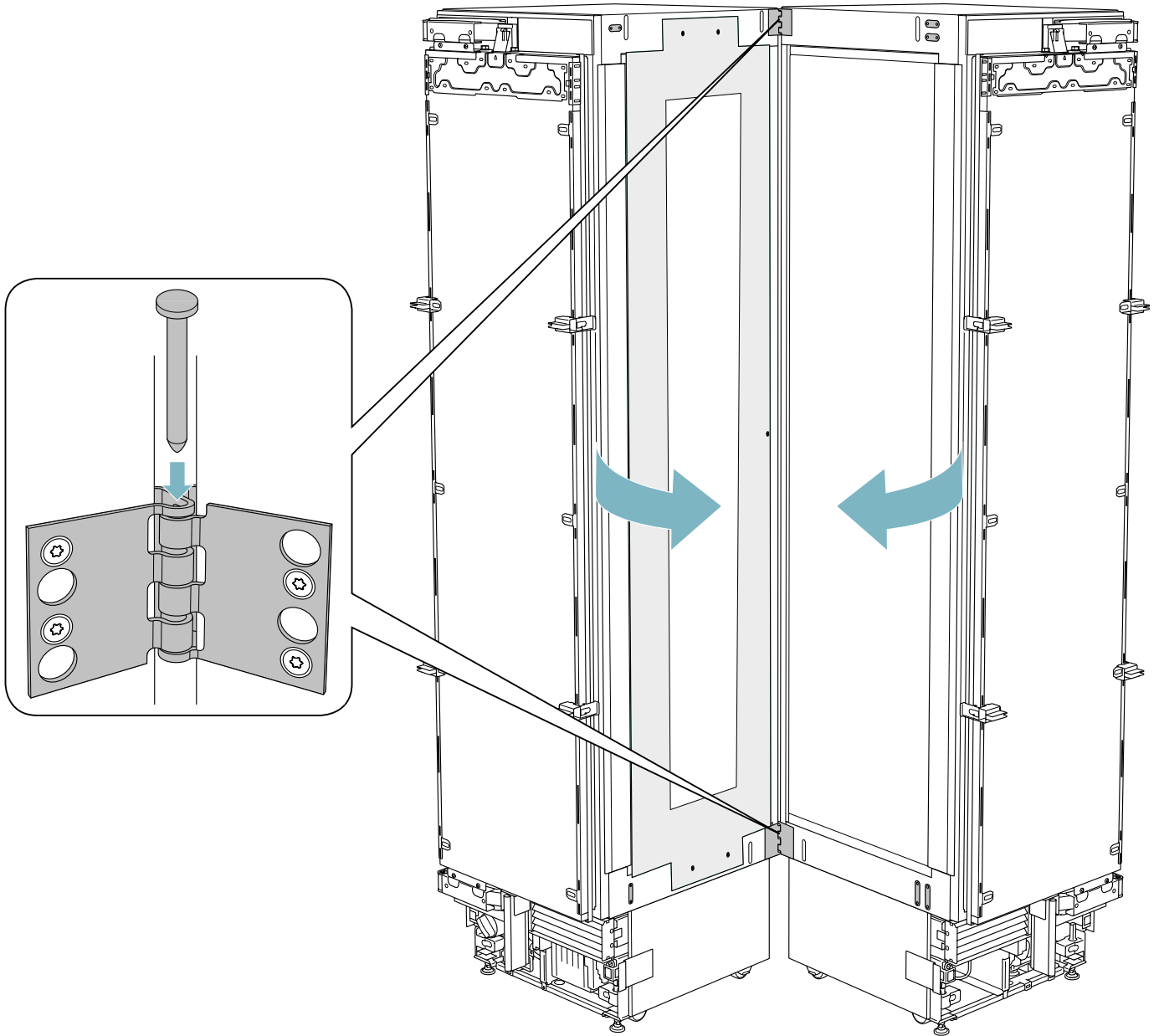
B

C

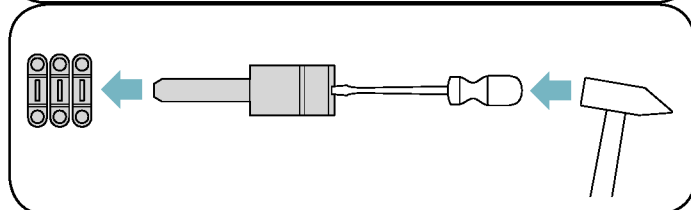
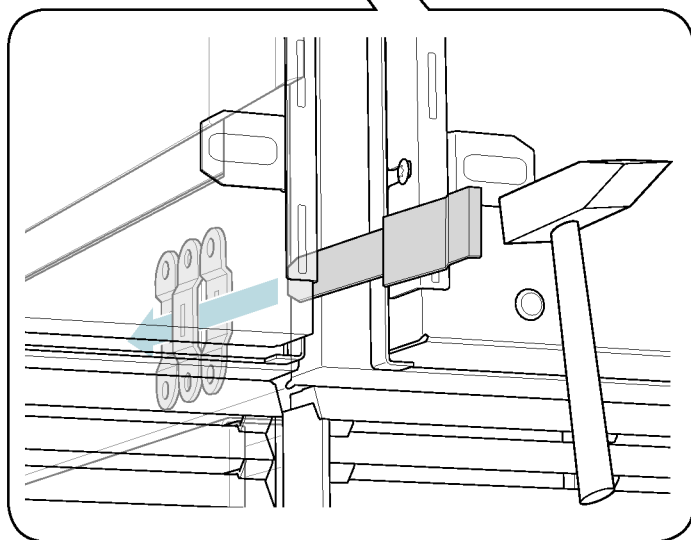
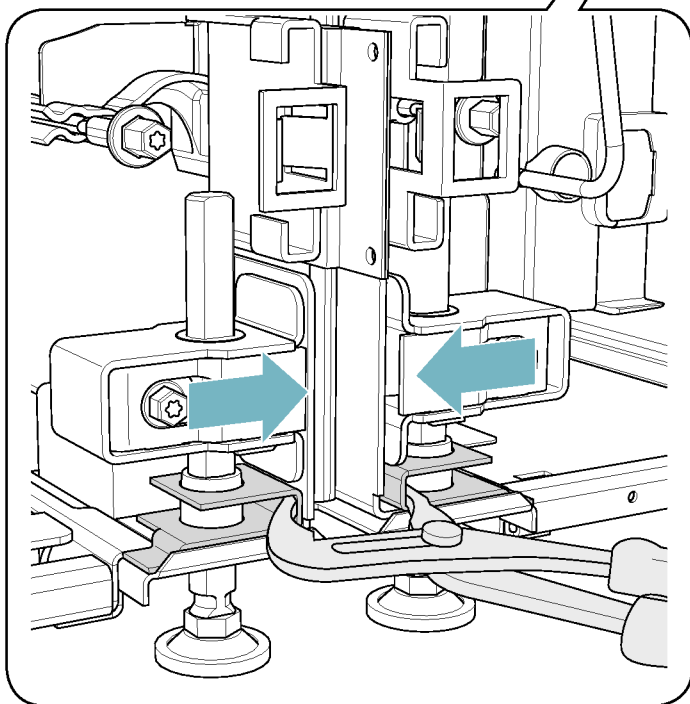
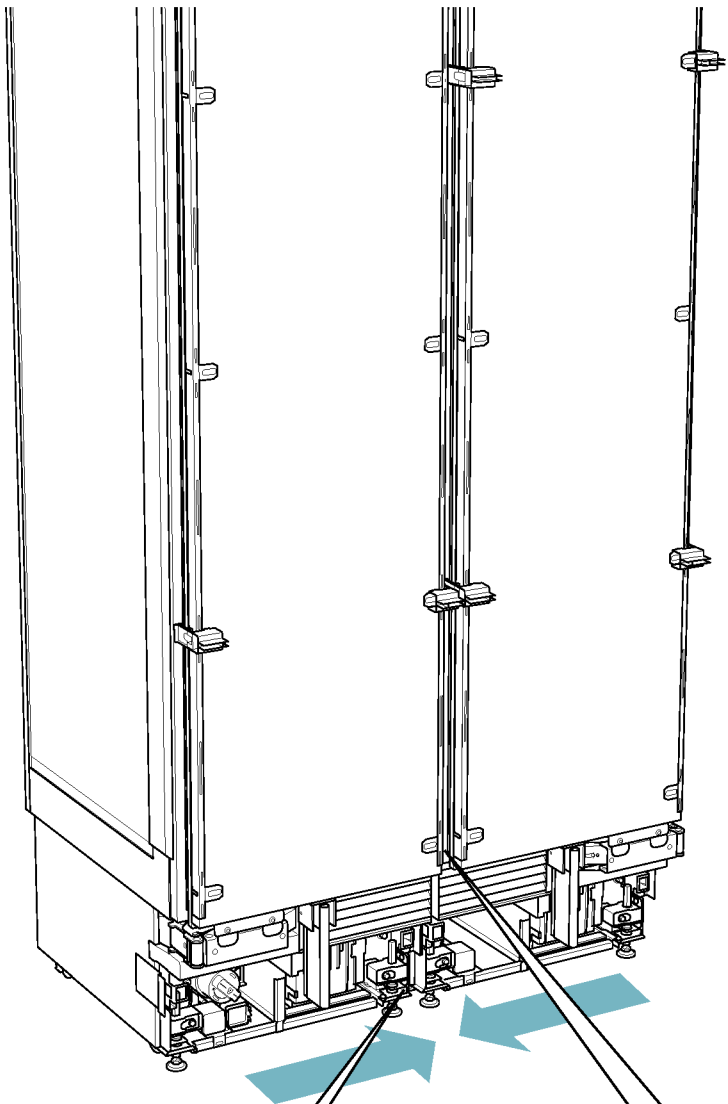
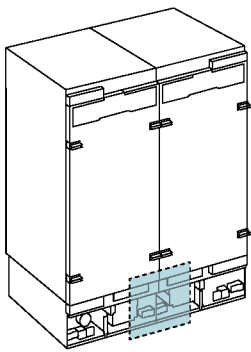
D

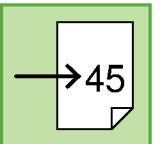
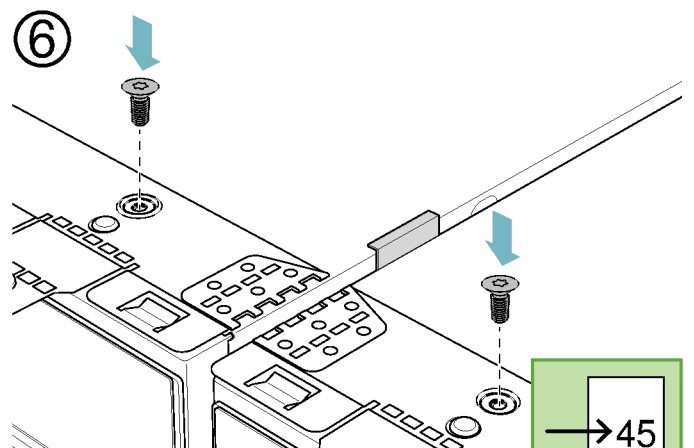
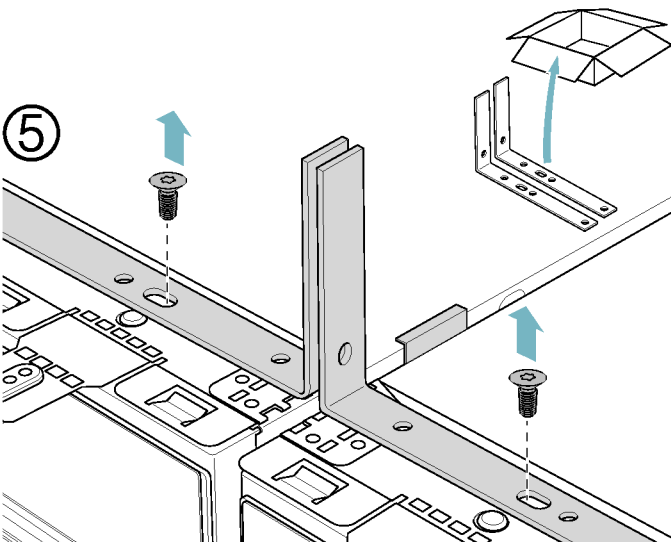
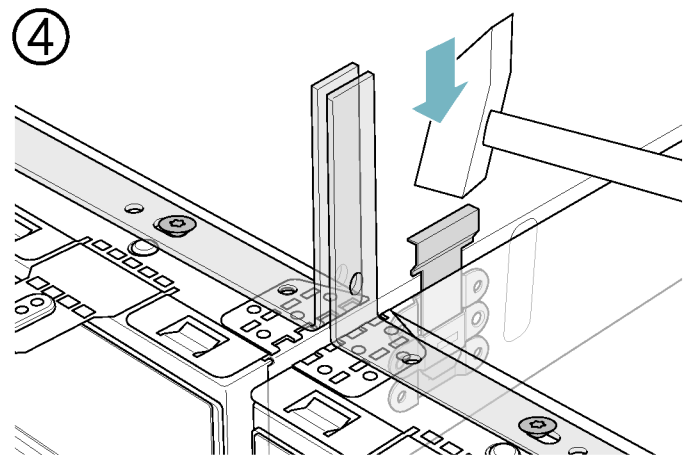
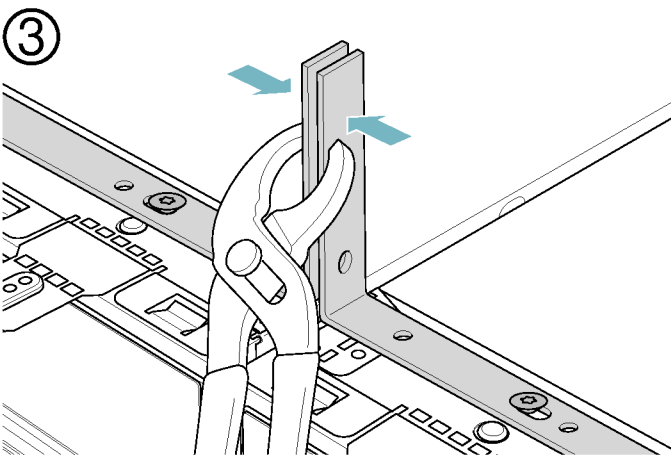
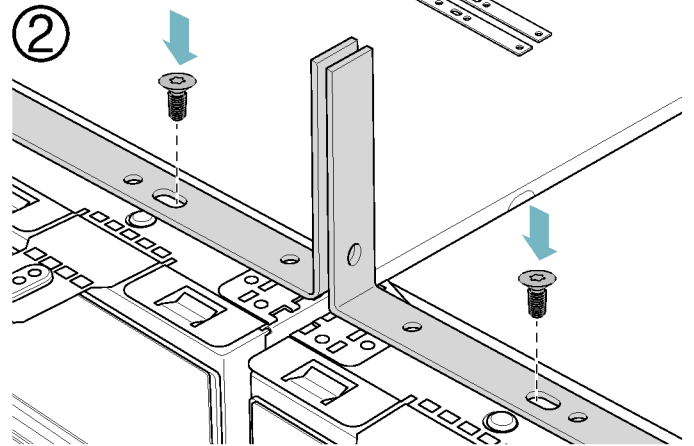
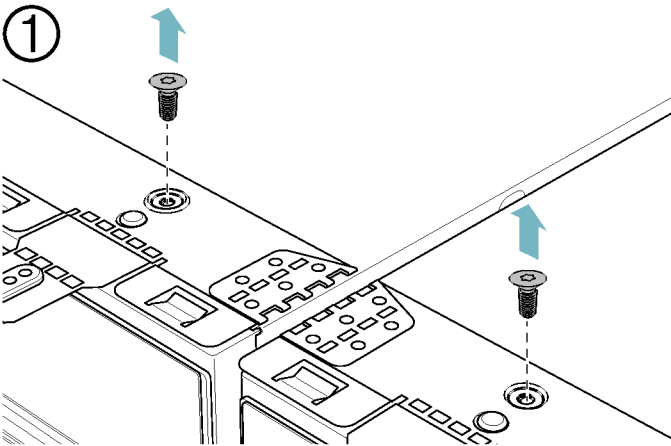
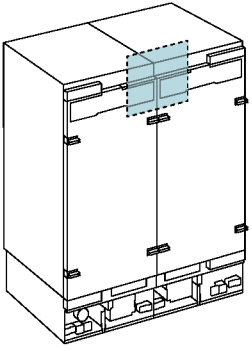
M5x16   16x



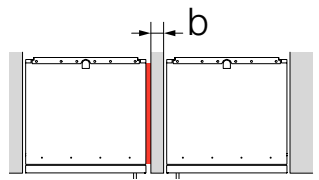
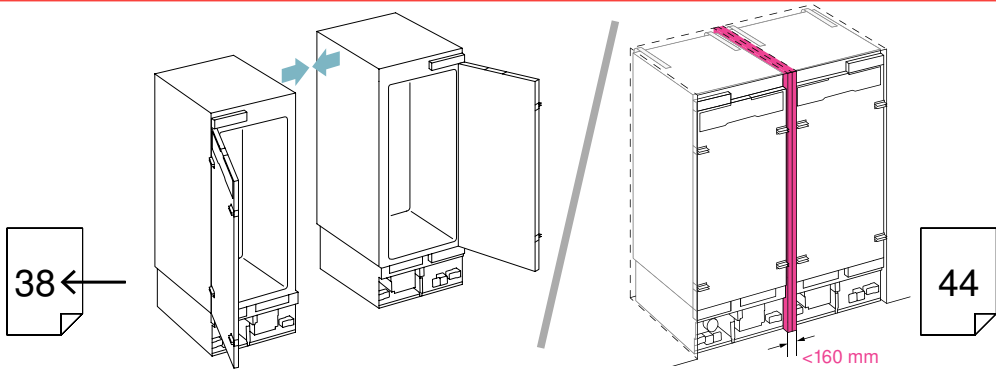


A
B
C
D

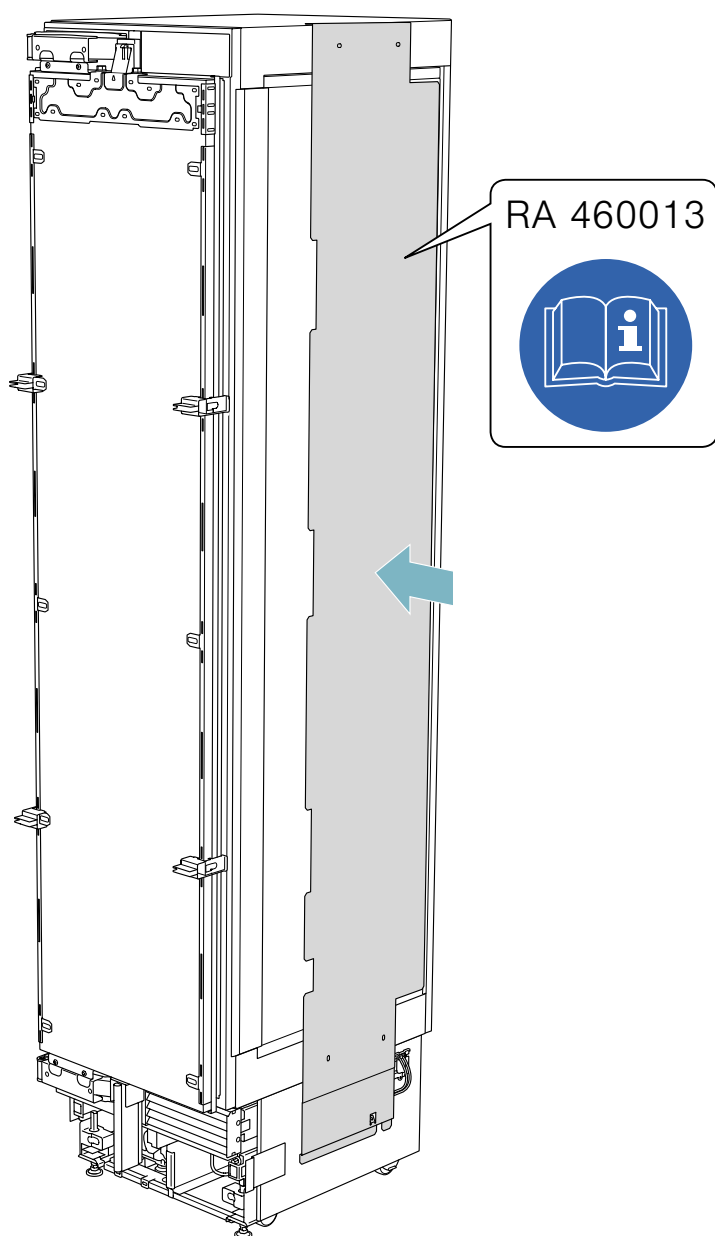
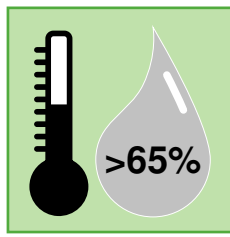


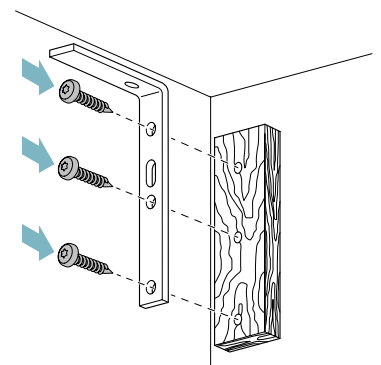
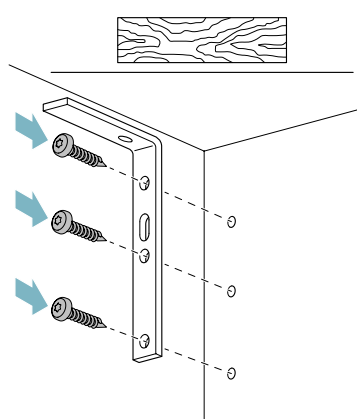
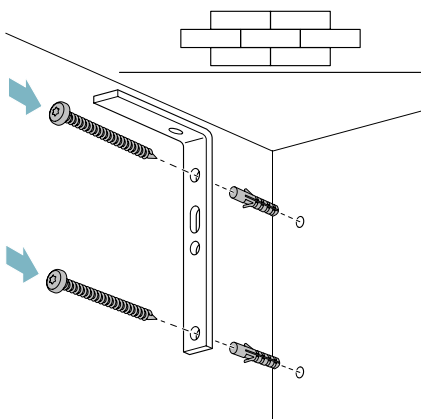
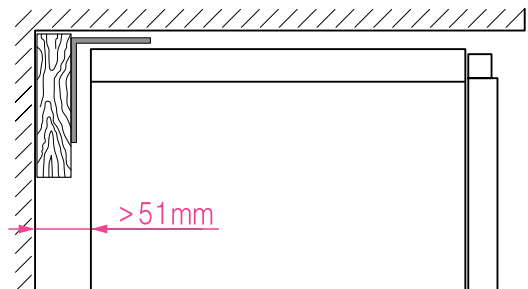
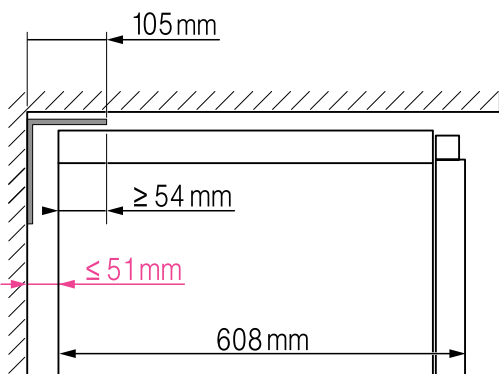
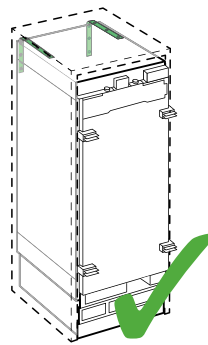
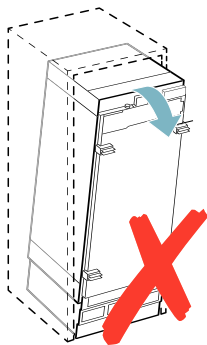
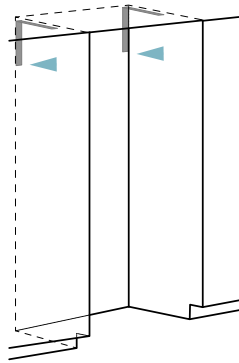
A**B****C****D**

A
B
C
D



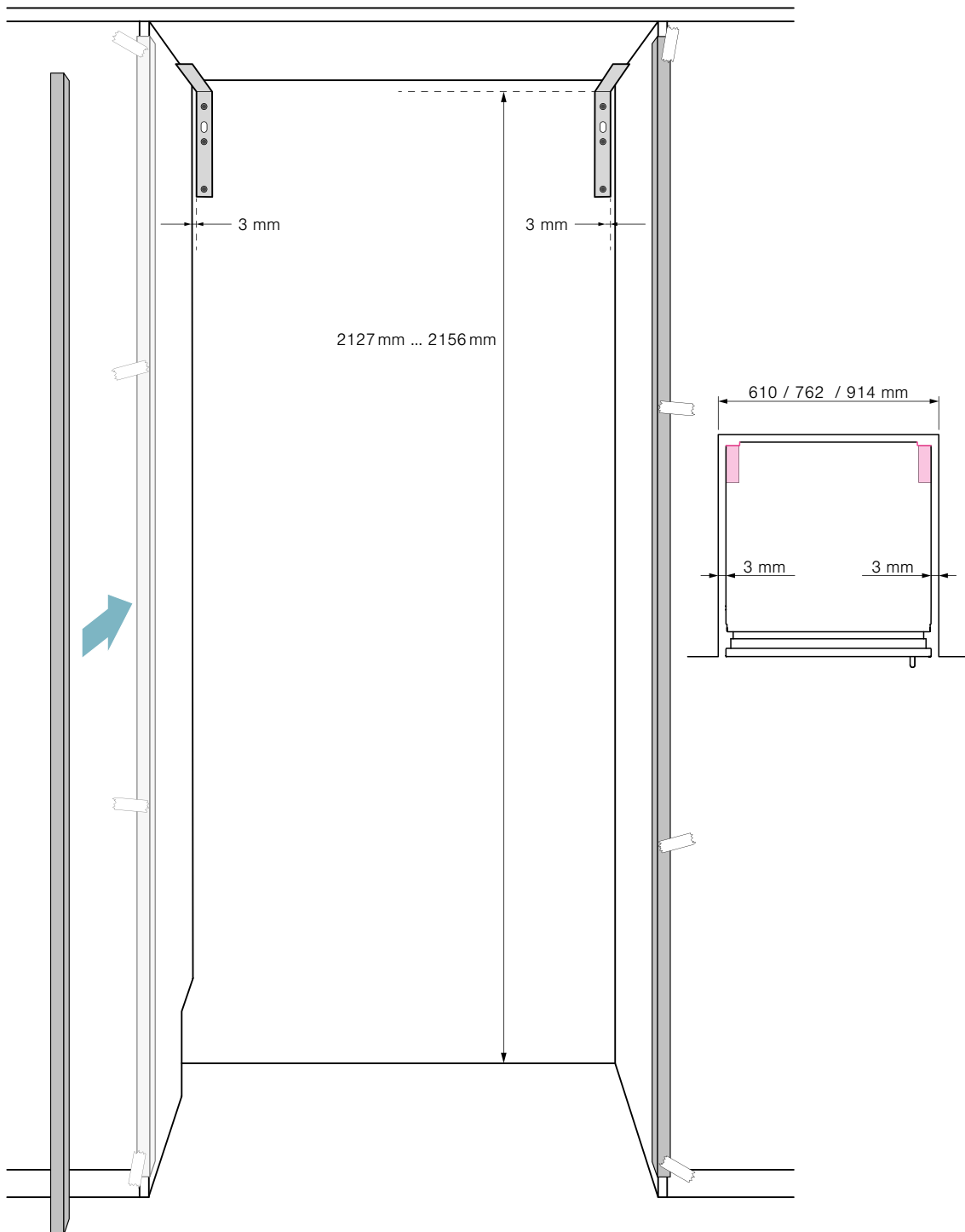
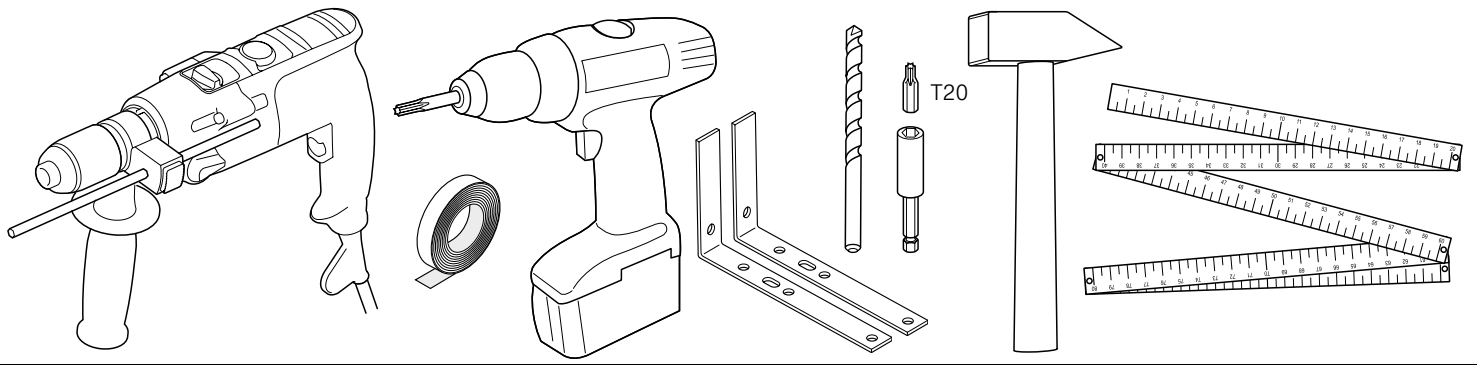
$16 \text{ mm} \leq b < 160 \text{ mm}$

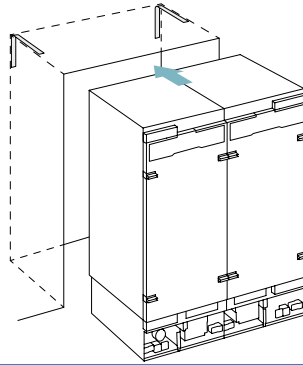
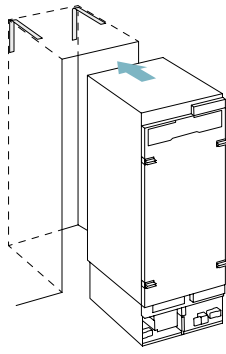
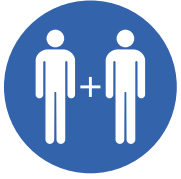




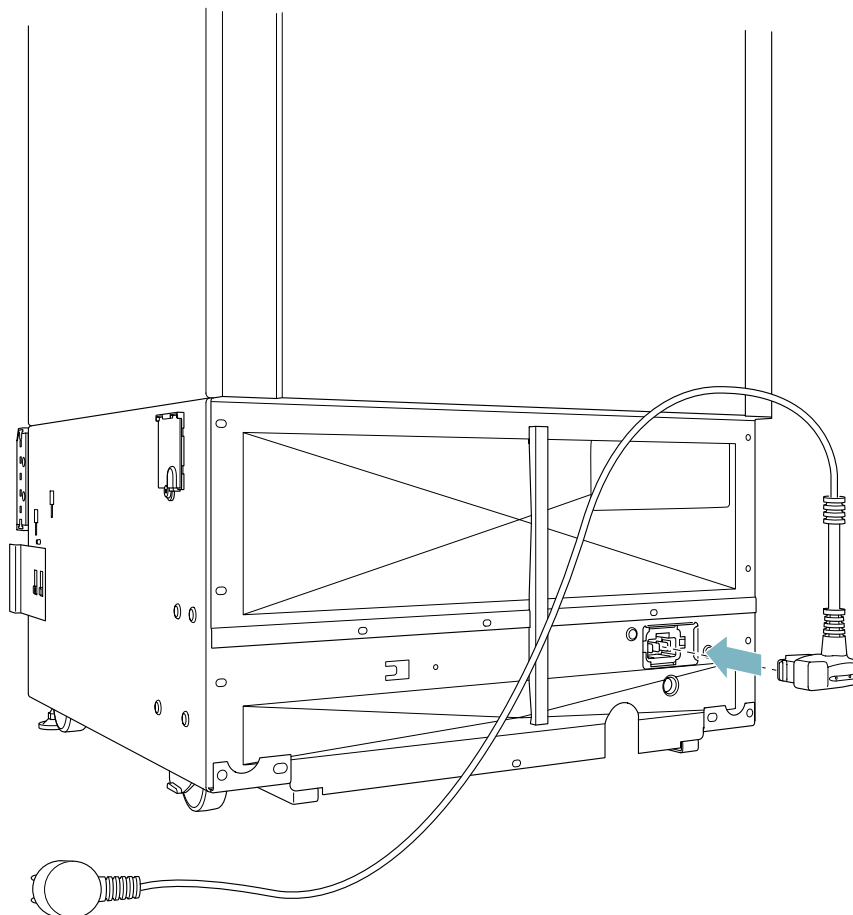
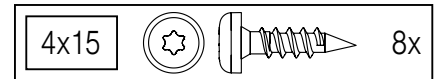
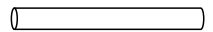
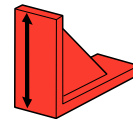
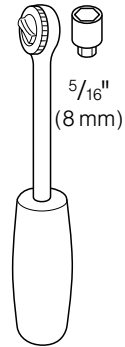
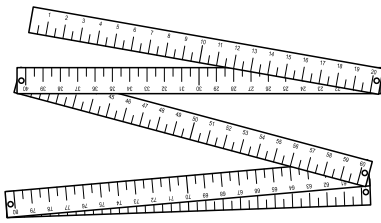
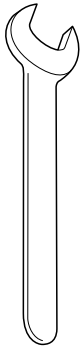
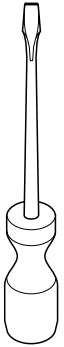
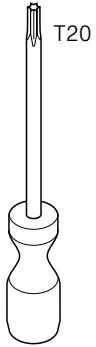
5x60			4x
6x31			4x

4x15			6x
------	--	--	----

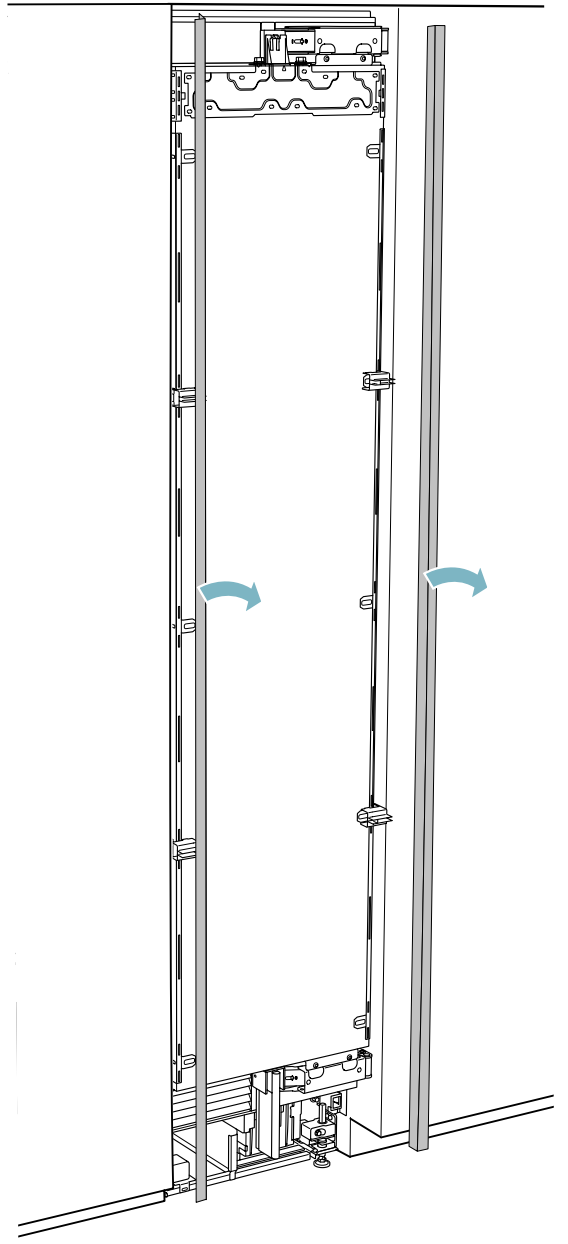
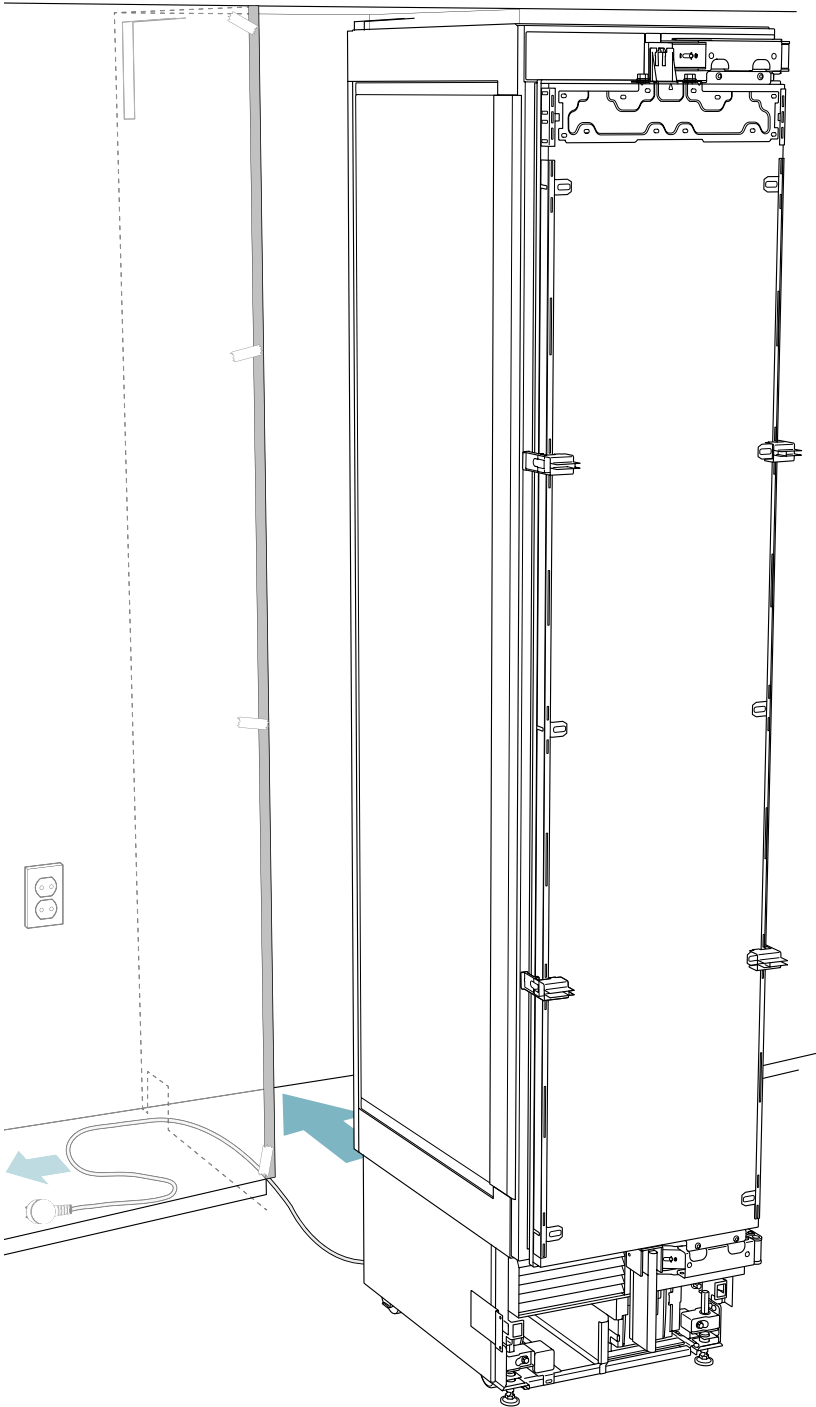
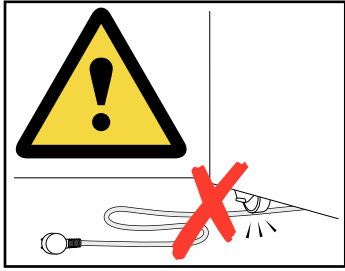


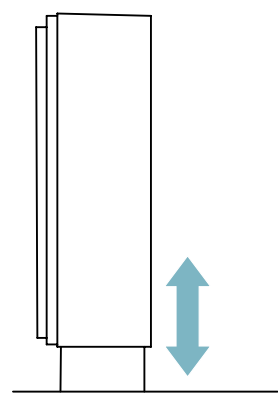
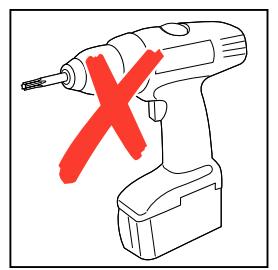
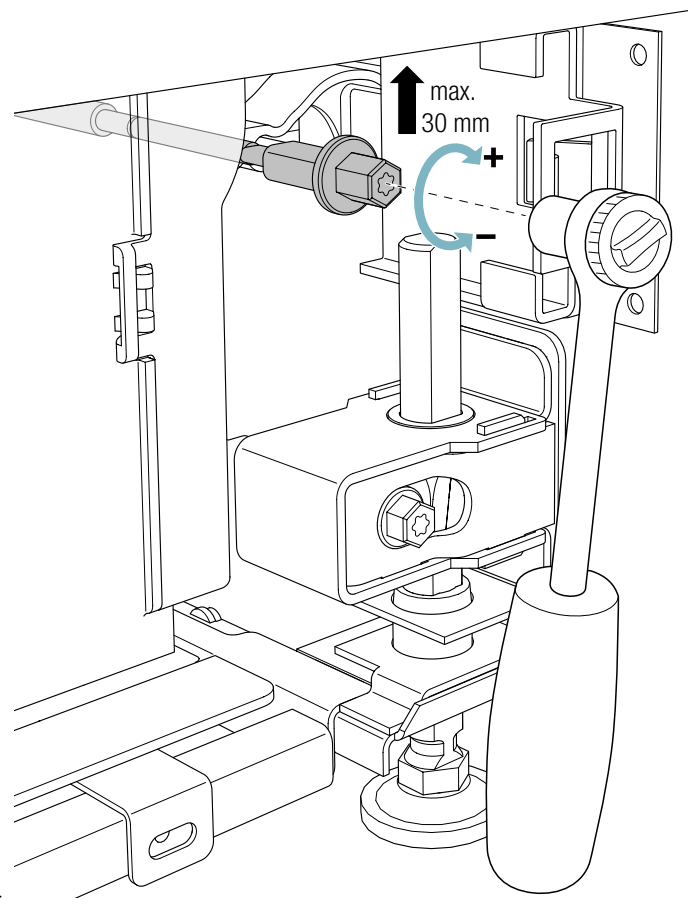
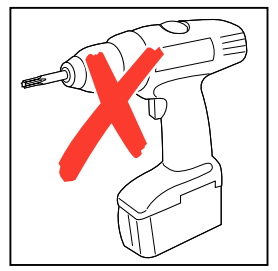
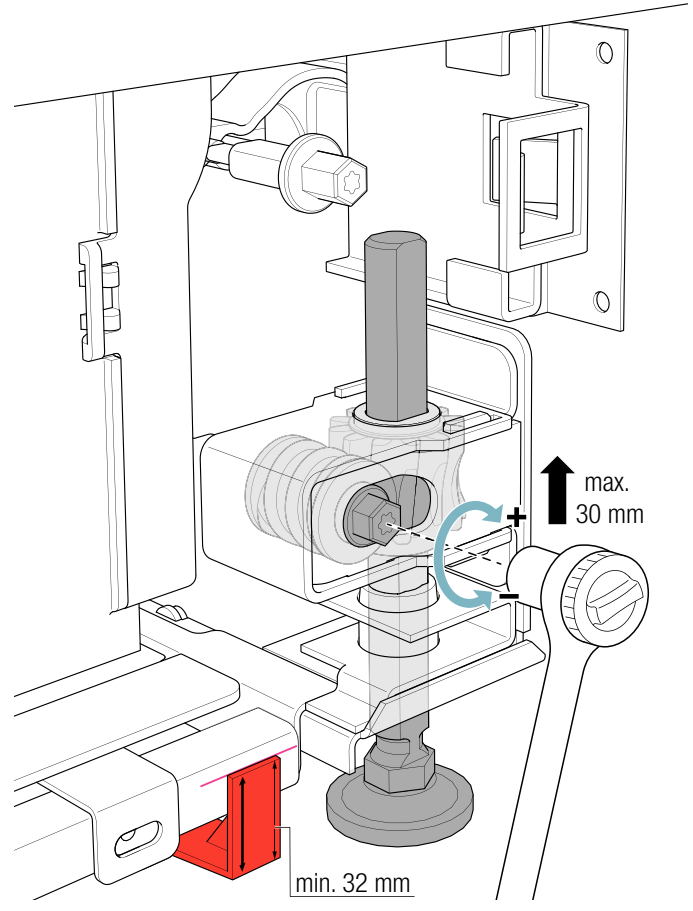
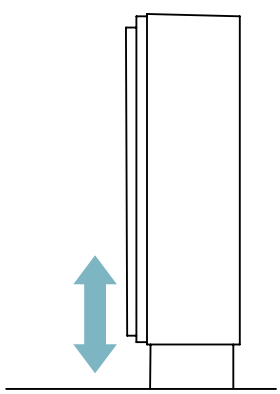
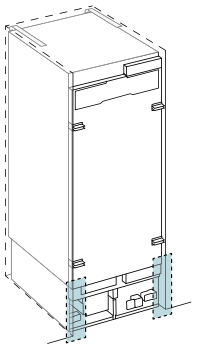


A
B
C
D

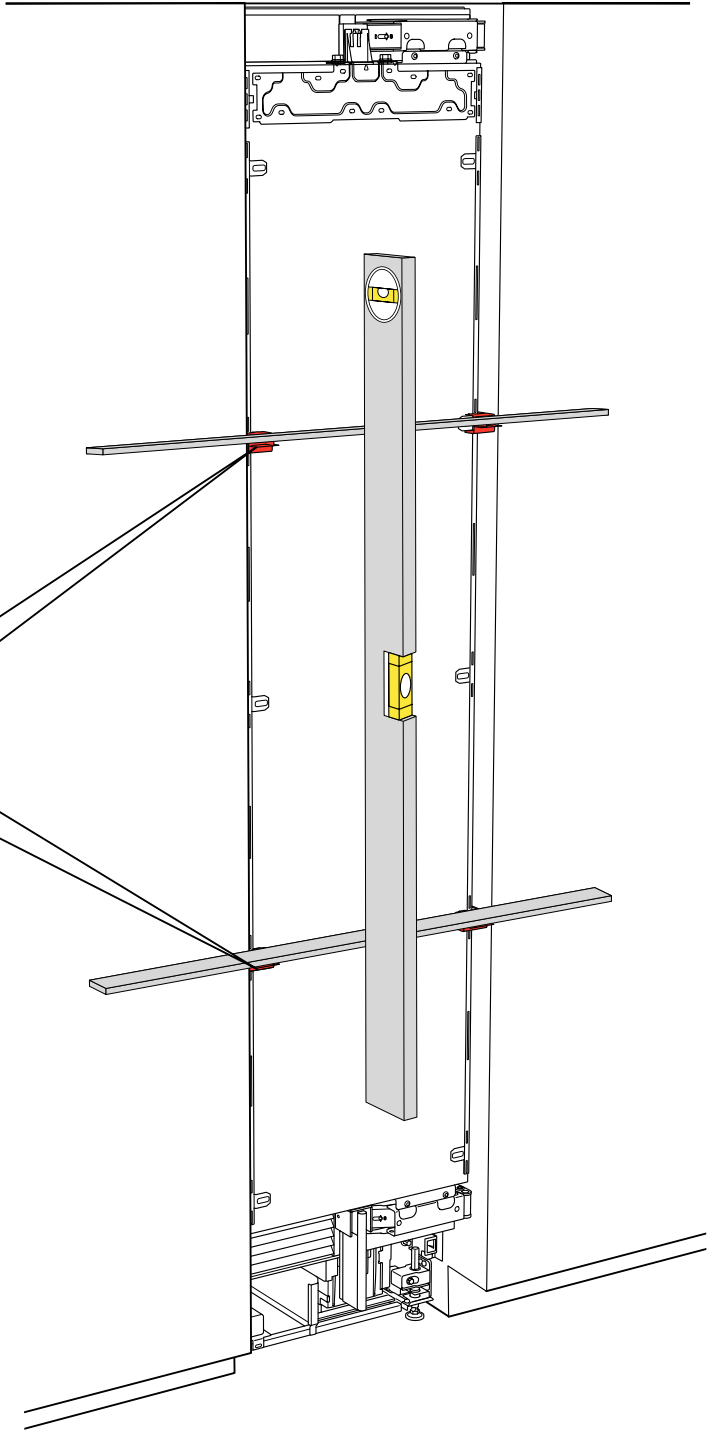
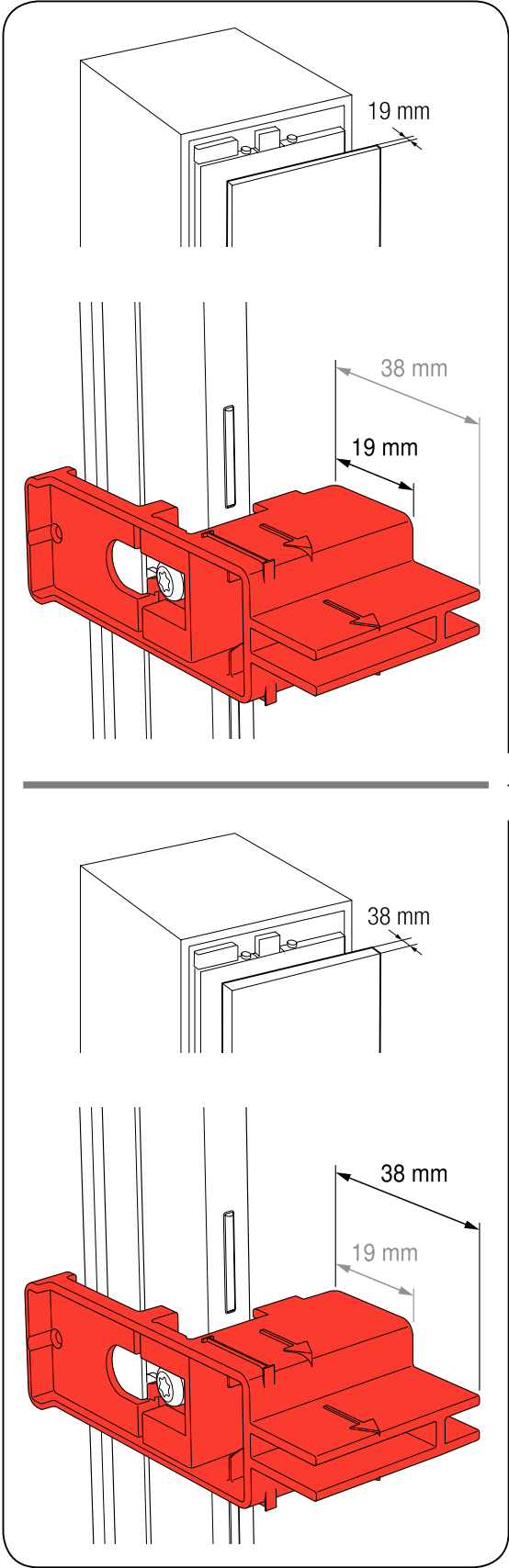




A
B
C
D



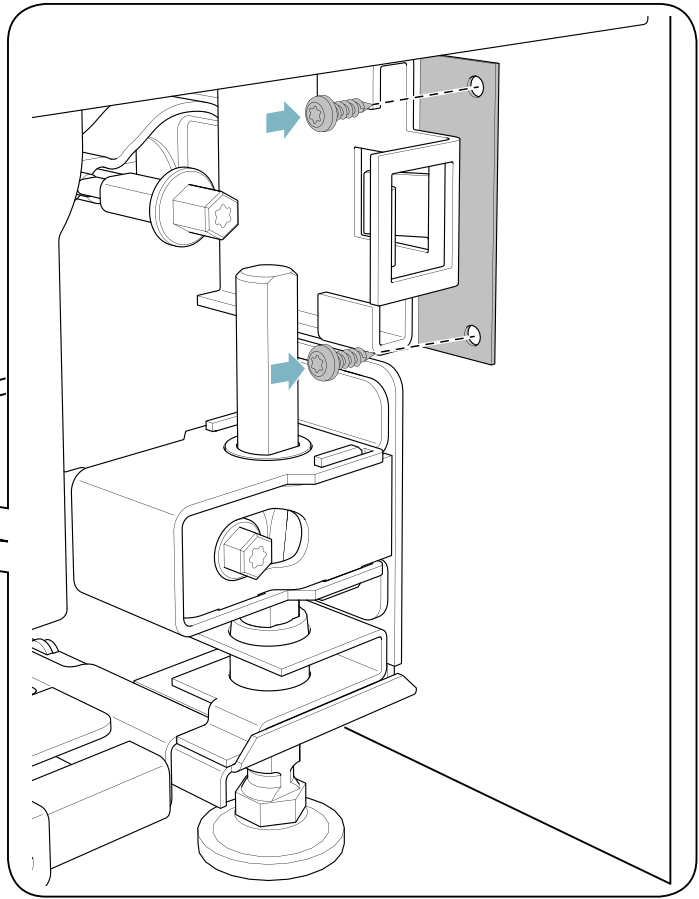
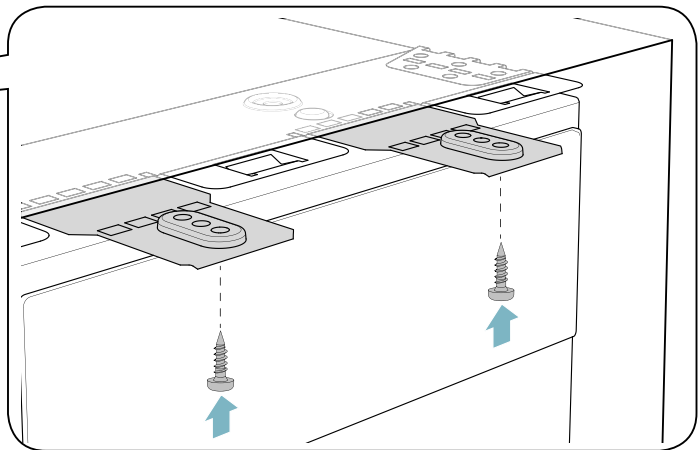
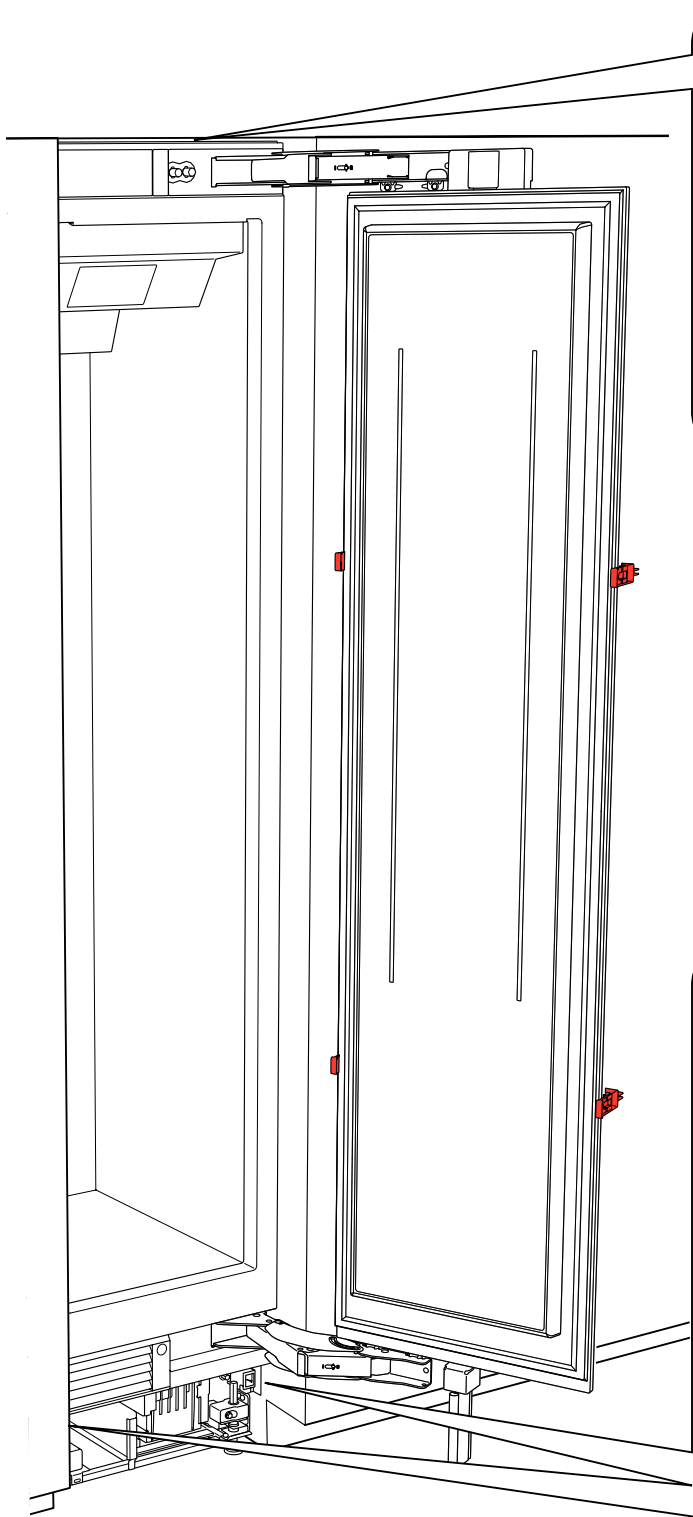


A
B
C
D

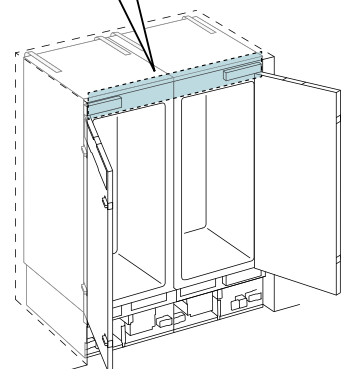
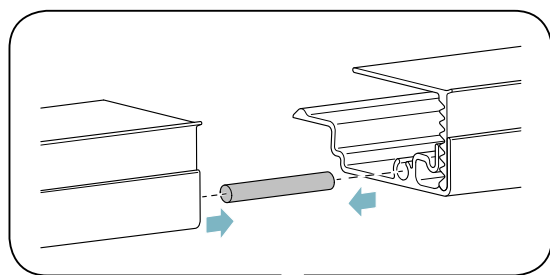
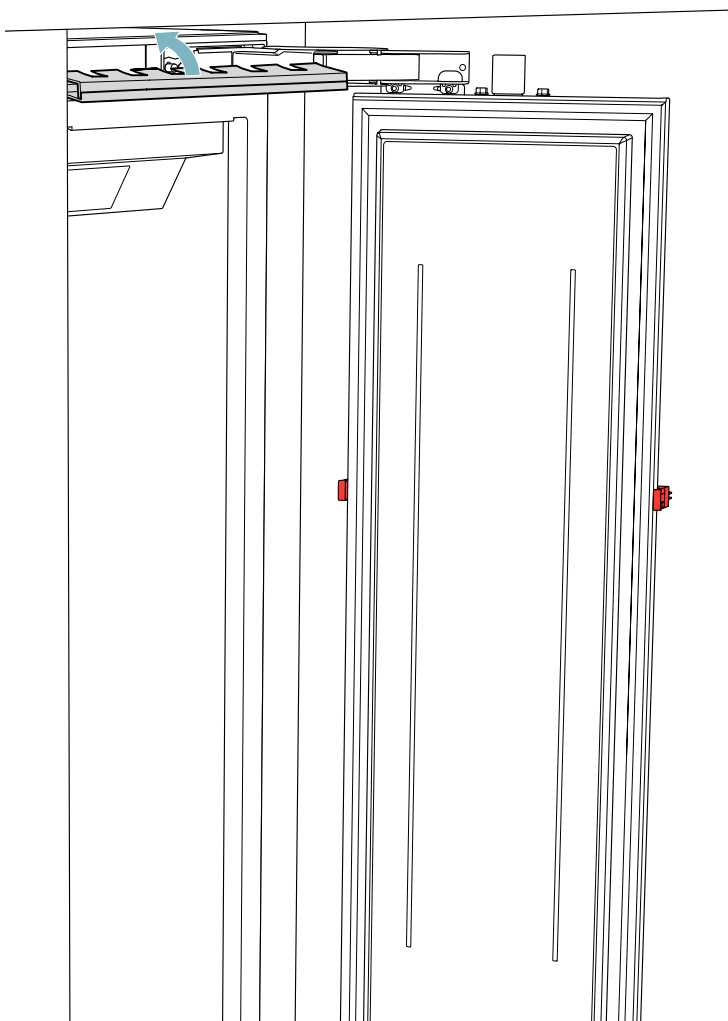
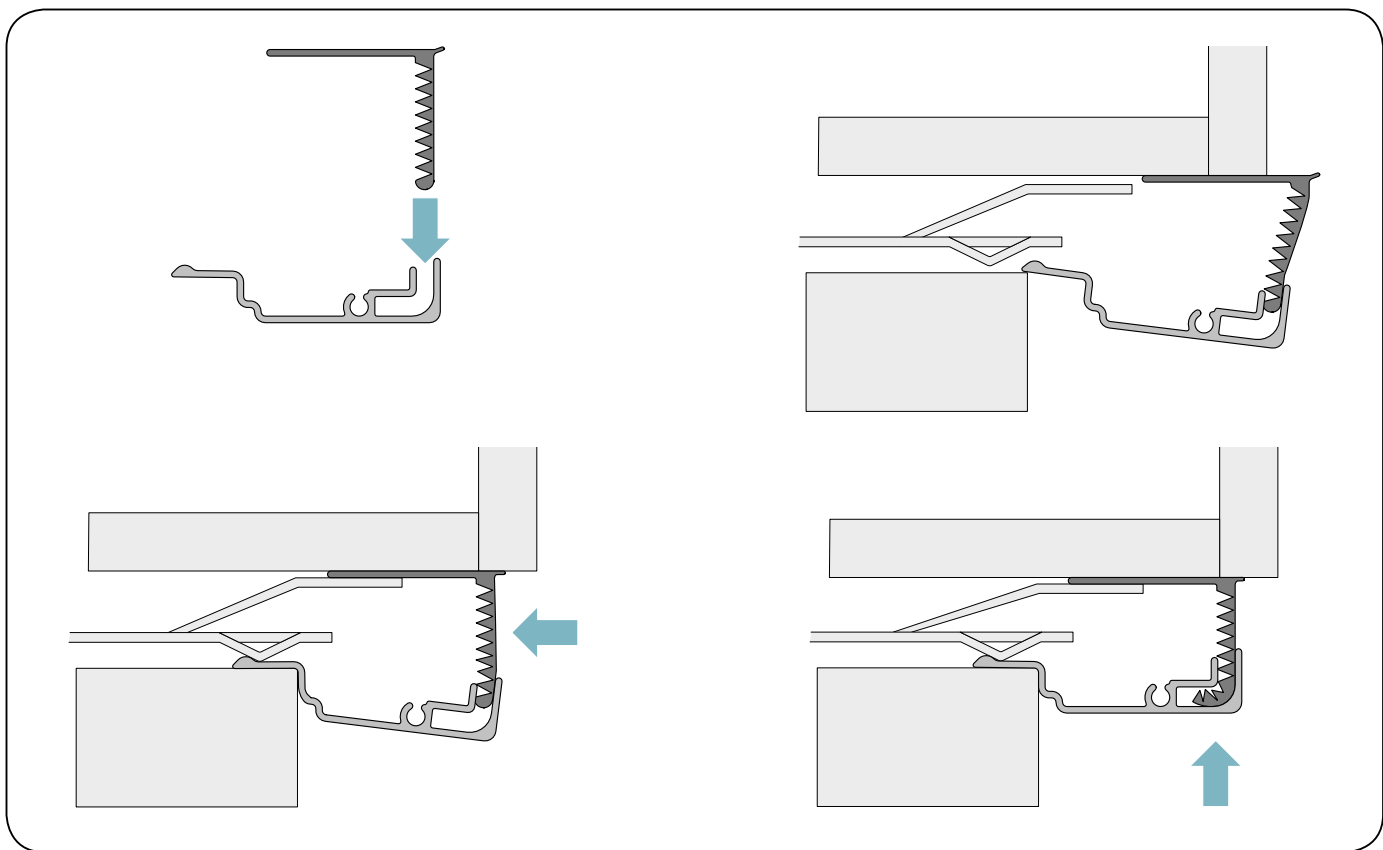


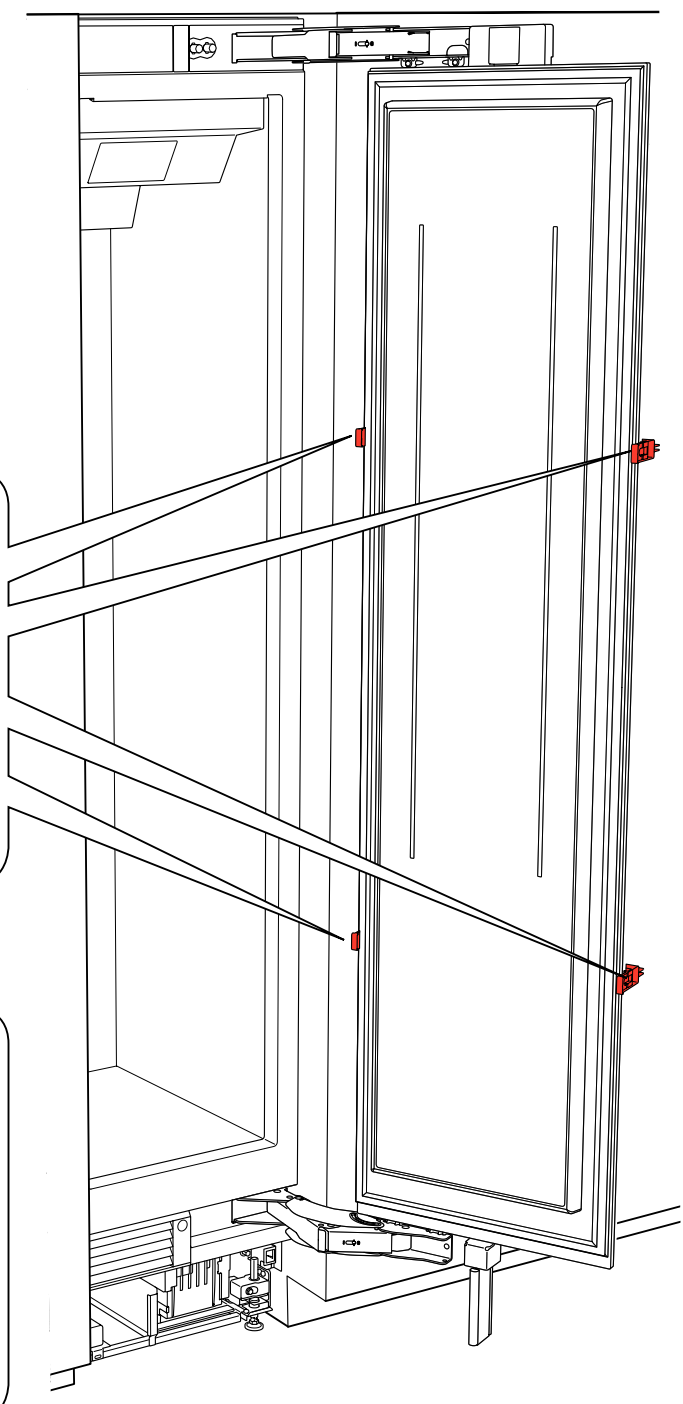
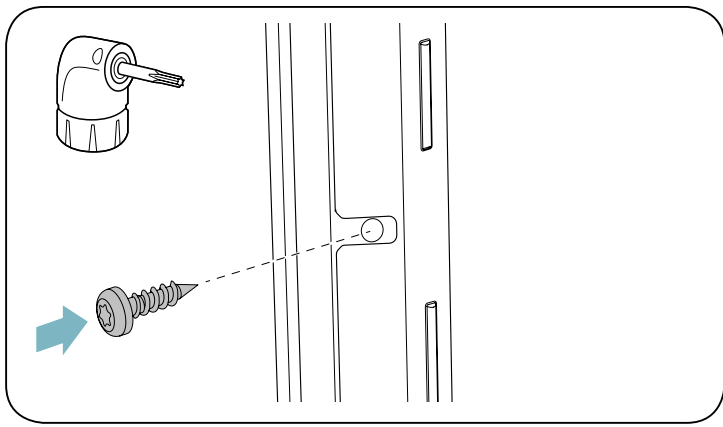
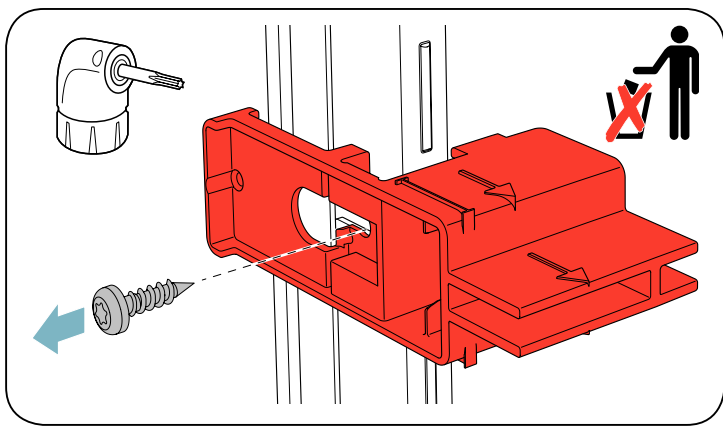
4x15   8x

A
B
C
D

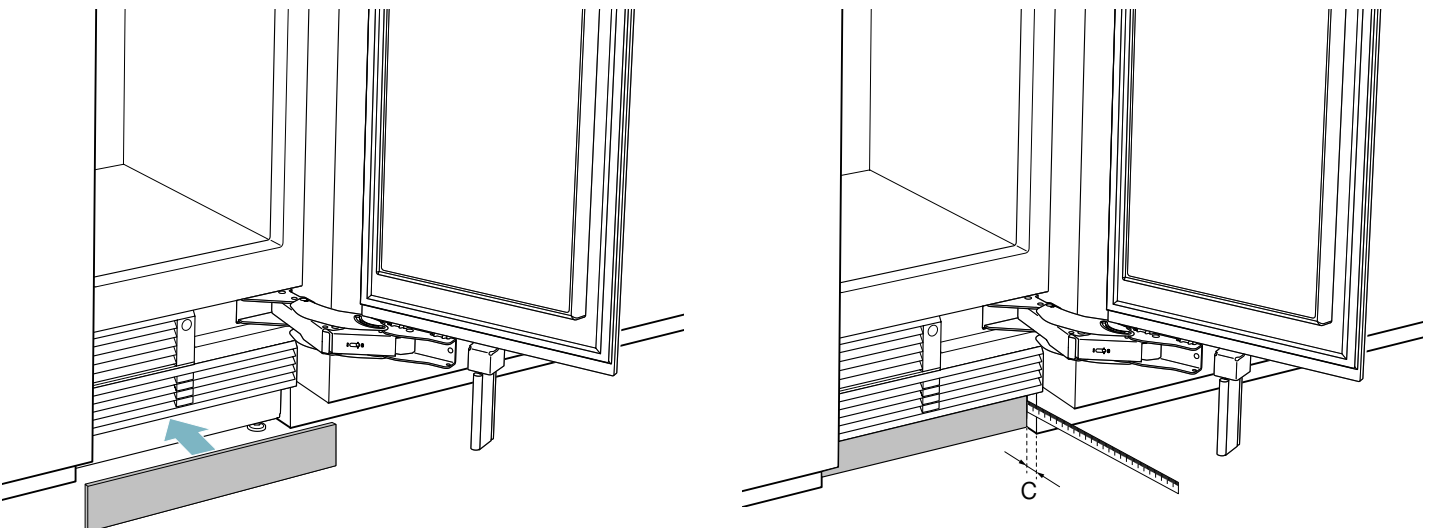
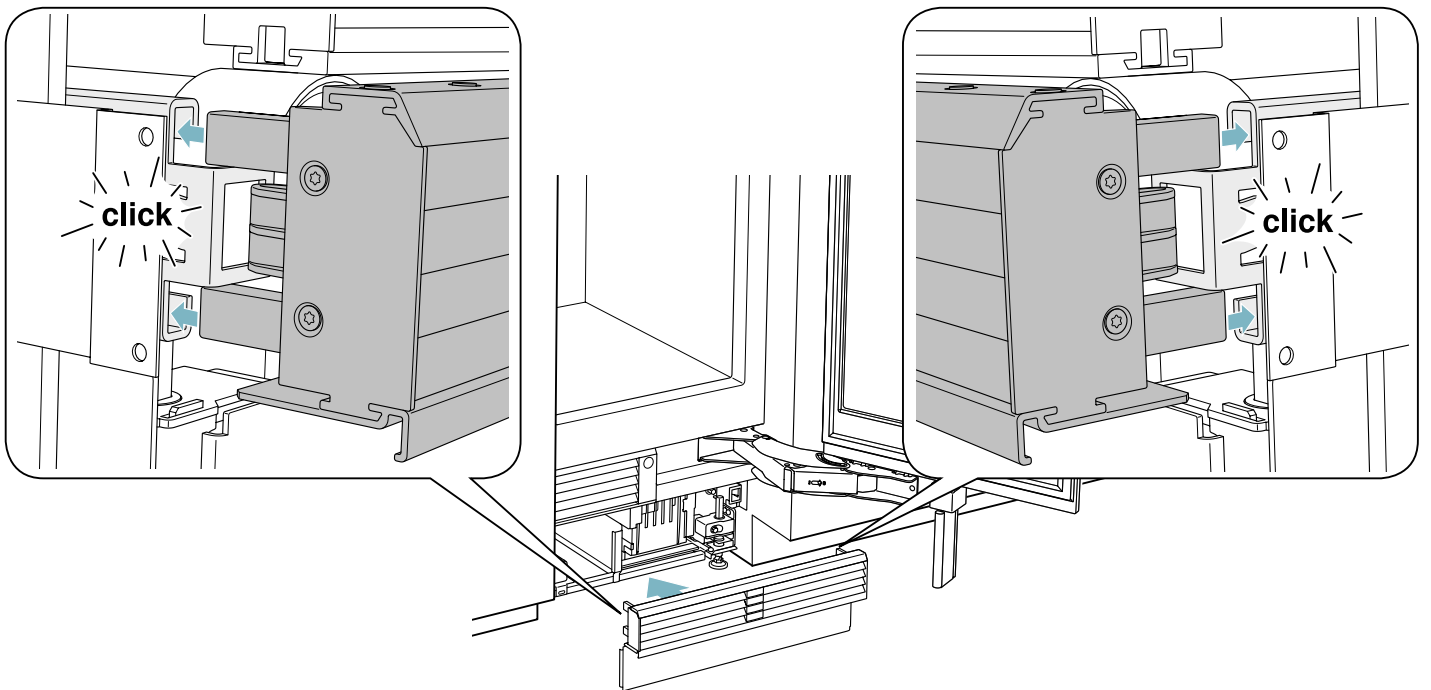
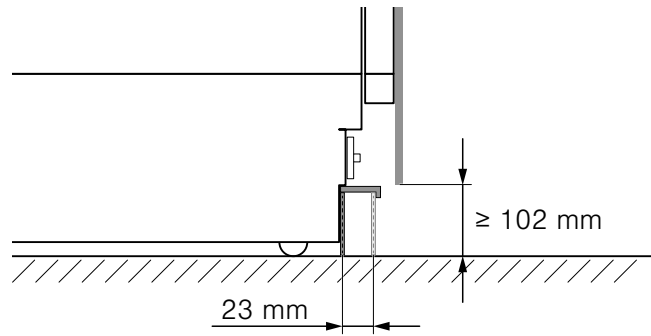
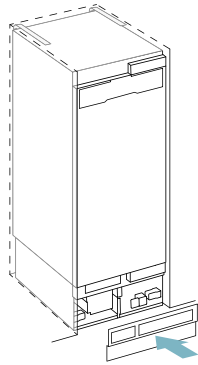


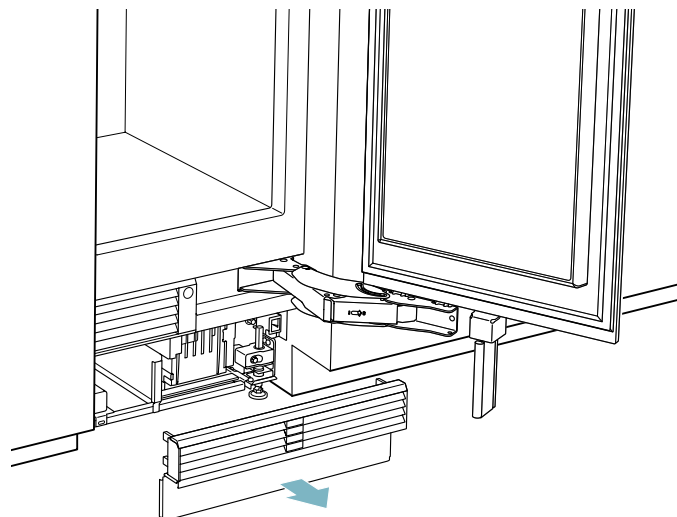
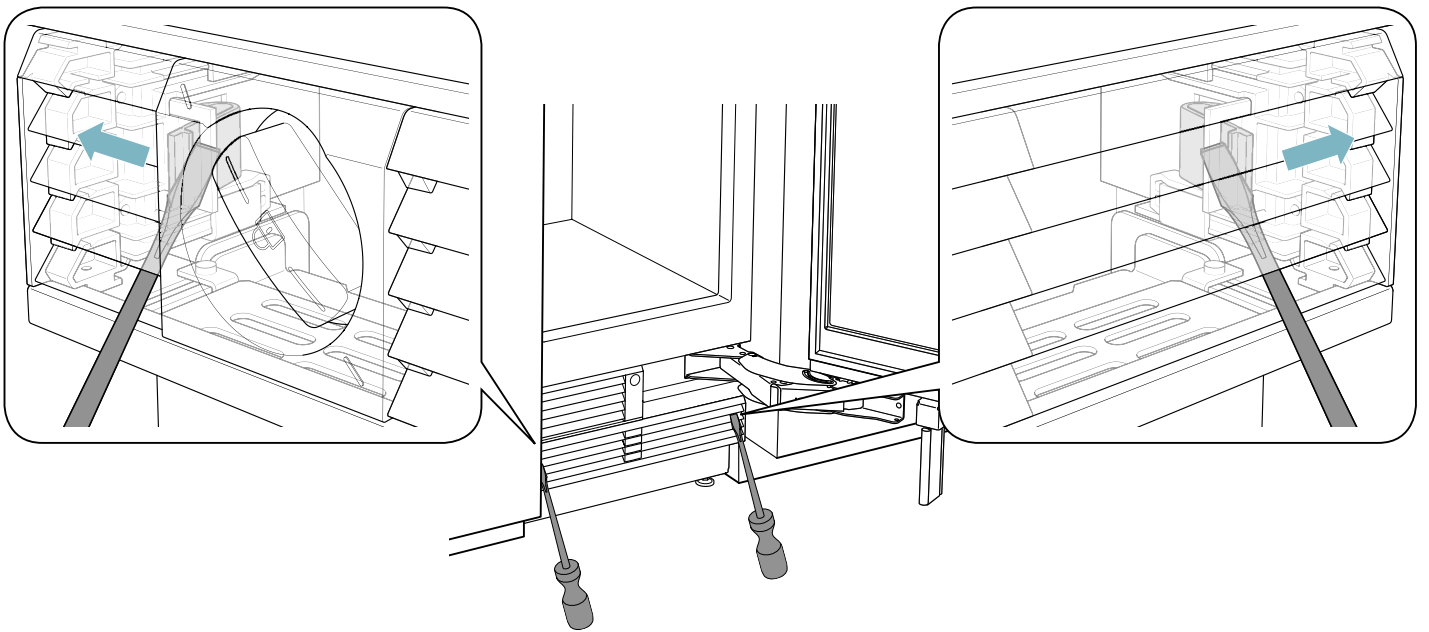
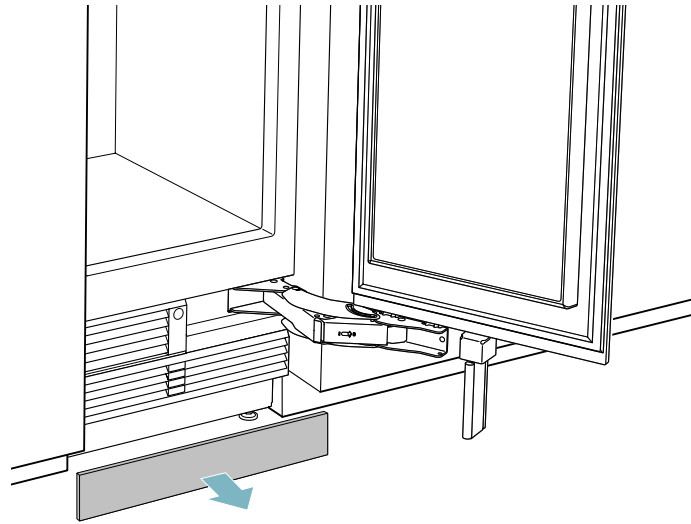
- A
- B
- C
- D



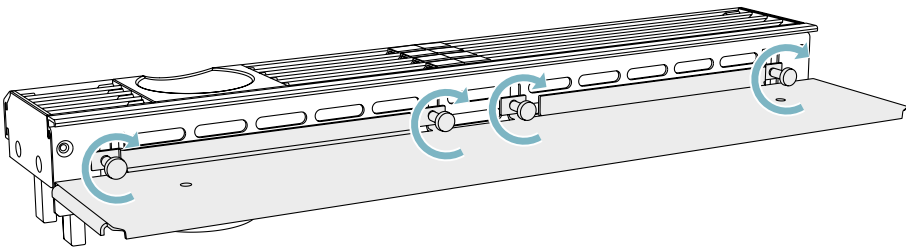
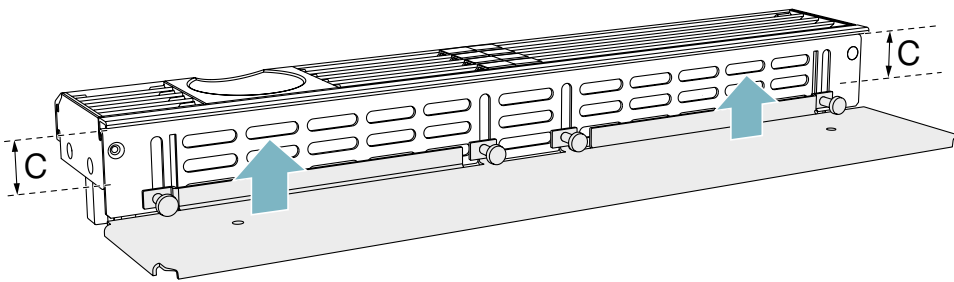
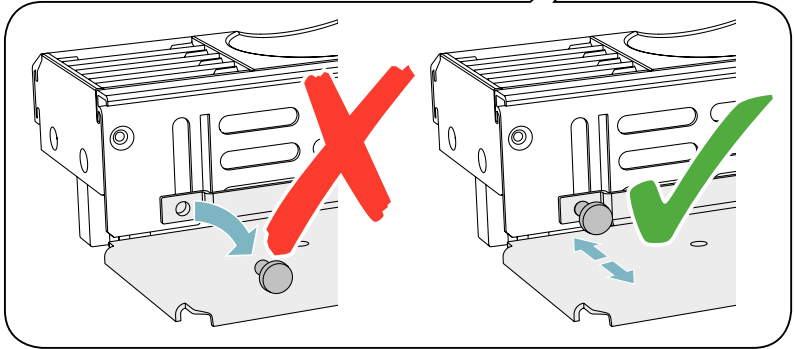
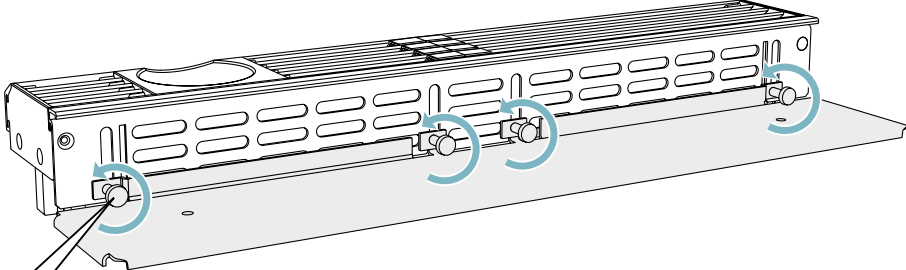
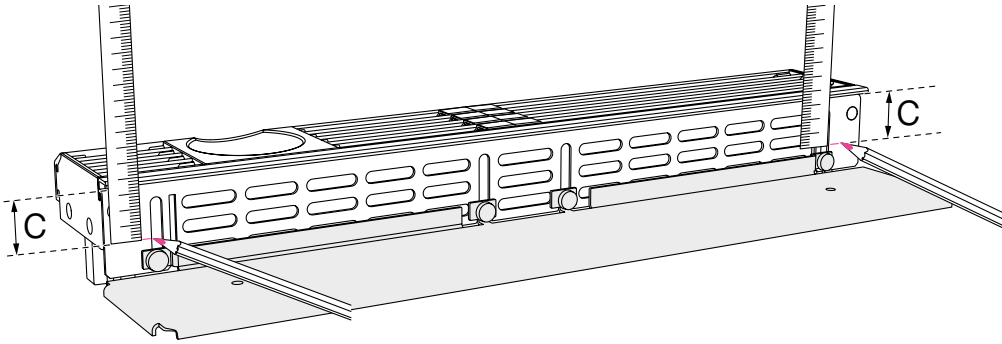


A
B
C
D

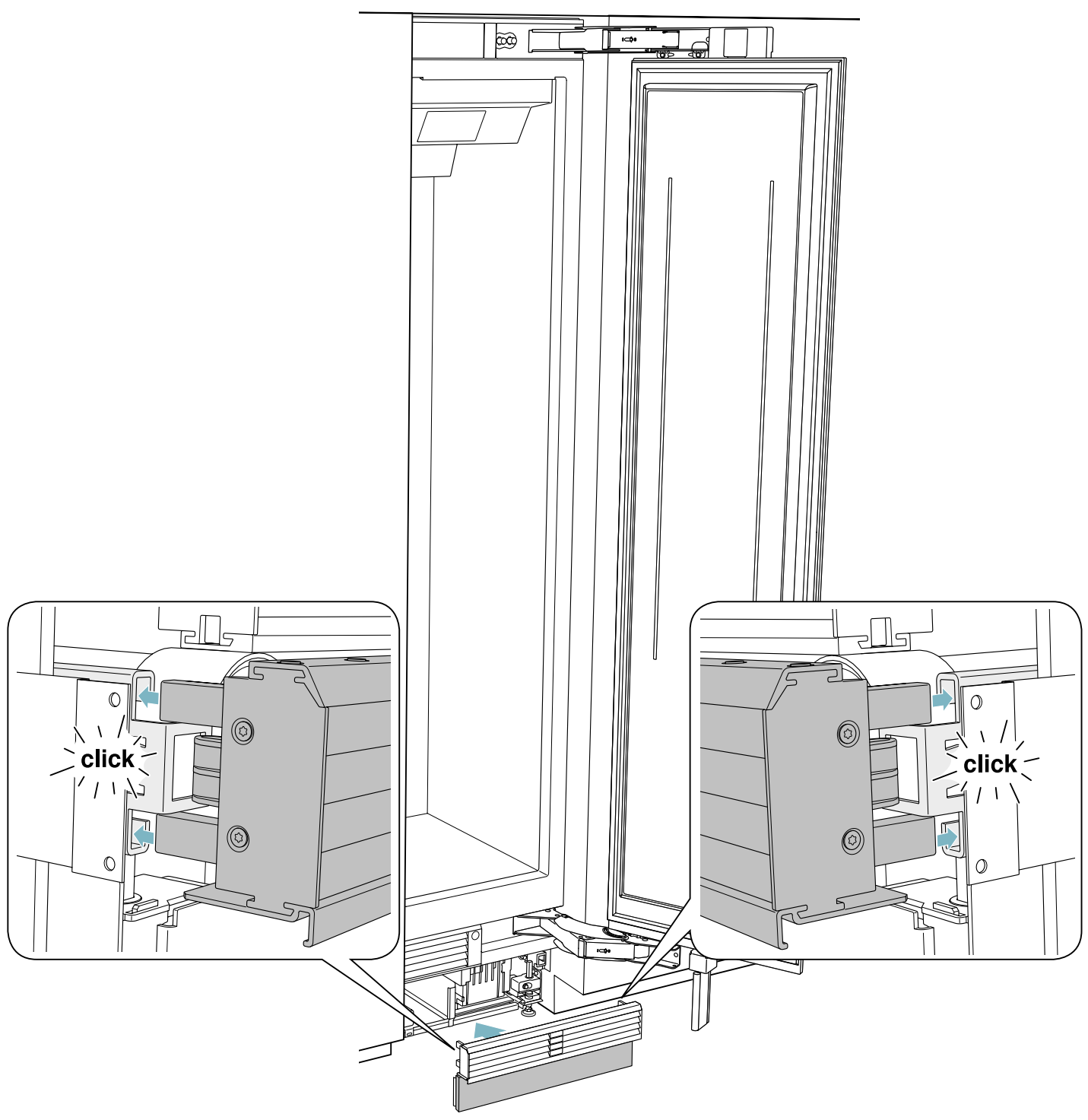
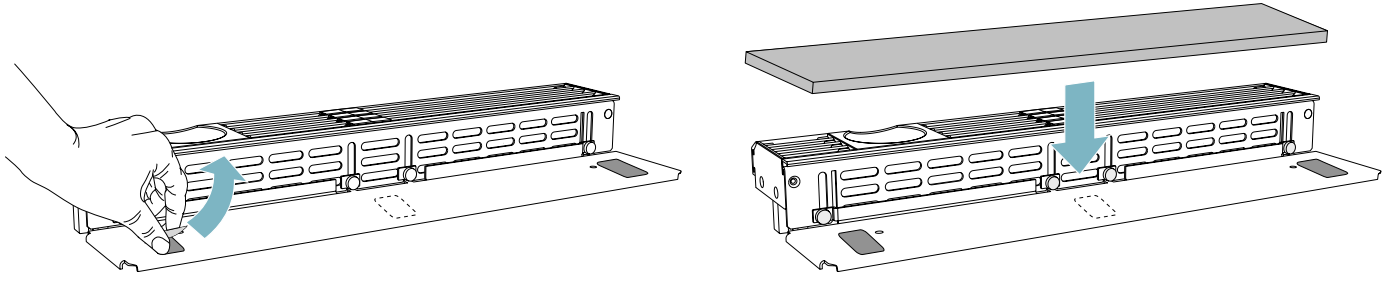




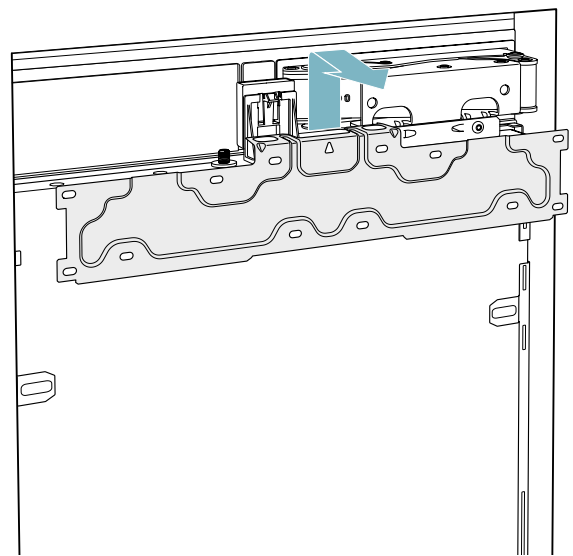
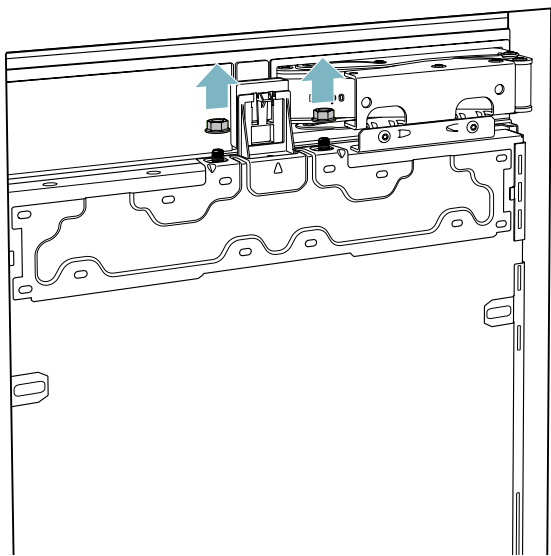
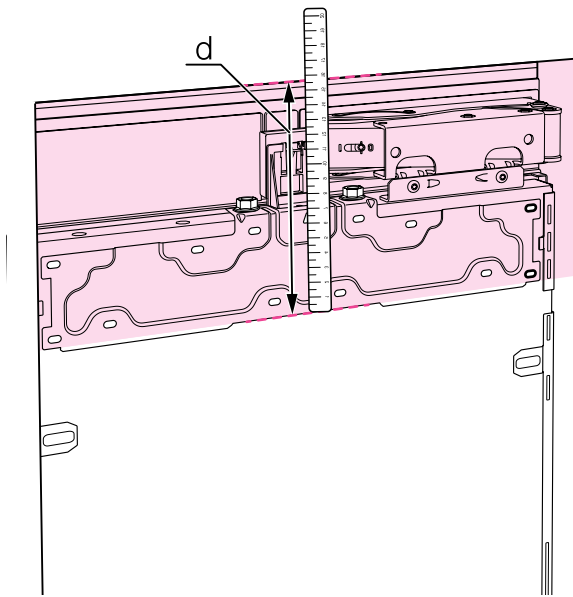
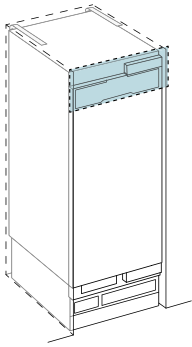
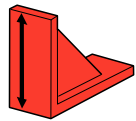
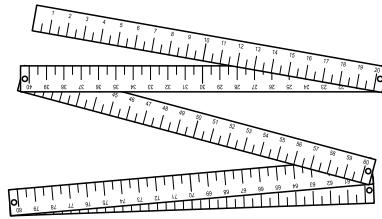
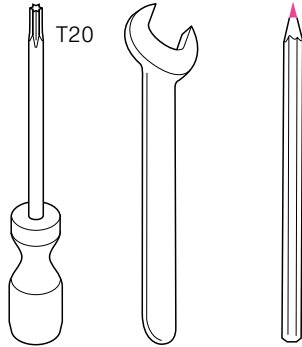
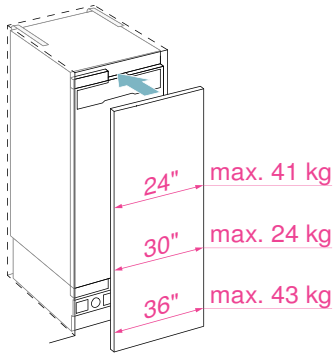
- A
- B
- C
- D

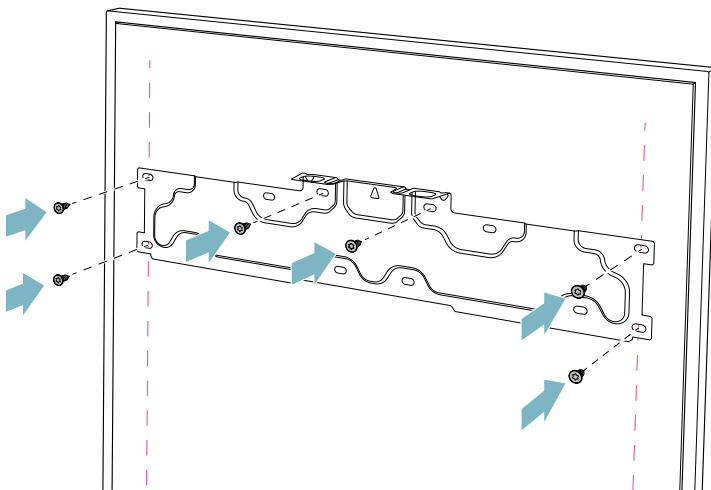
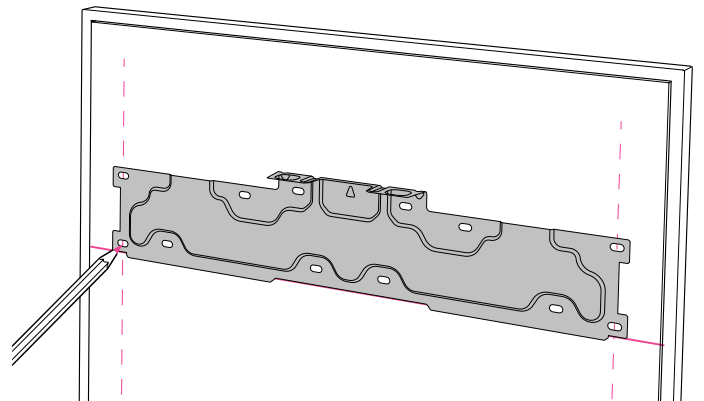
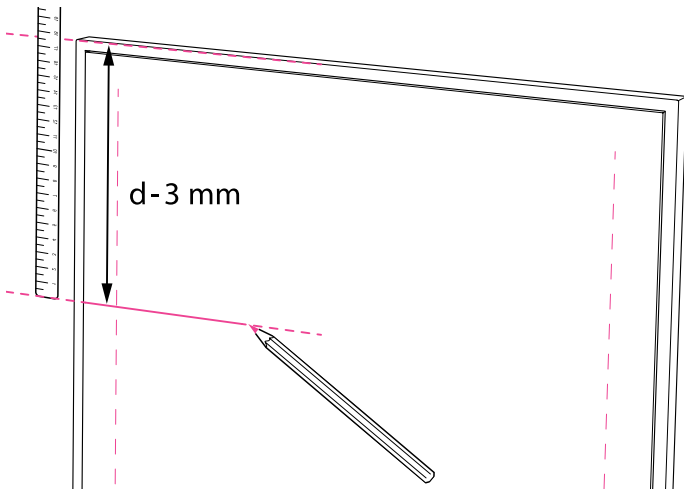
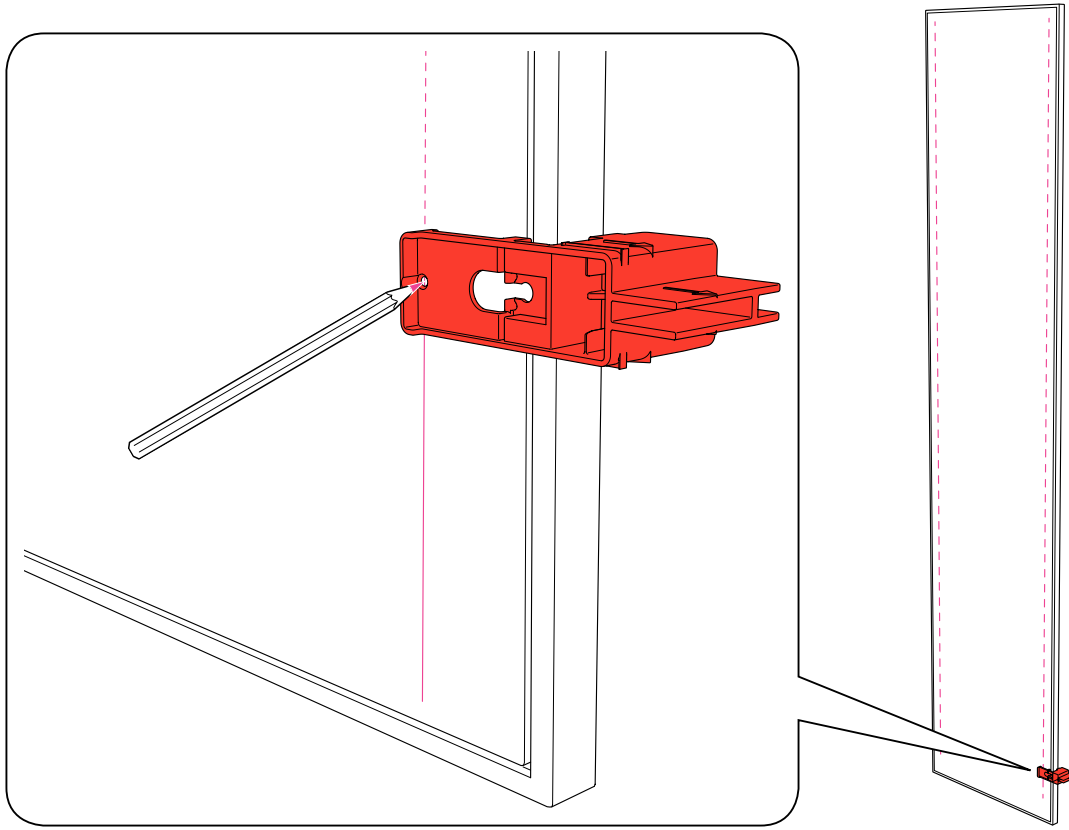



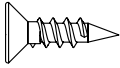
- A
- B
- C
- D



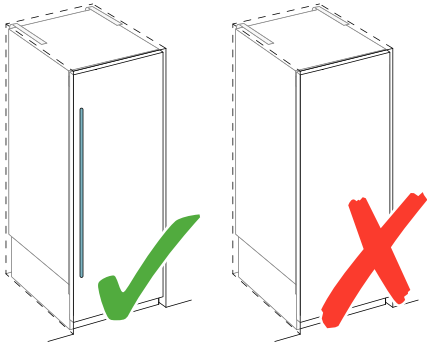
A
B
C
D



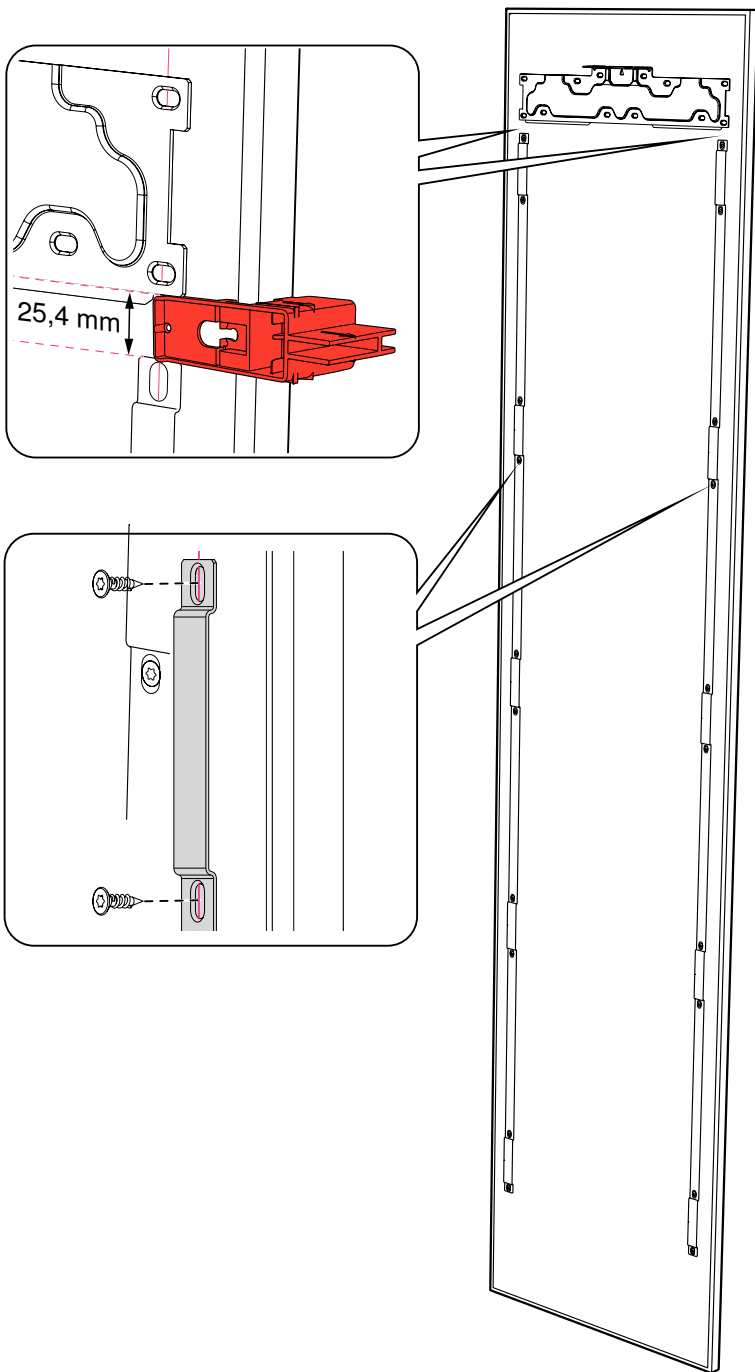
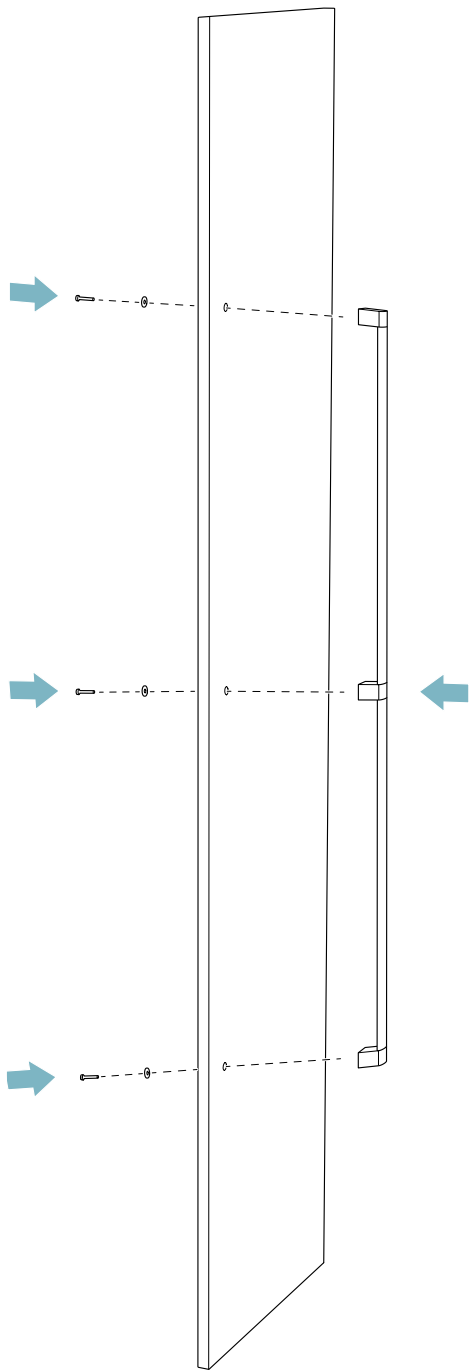


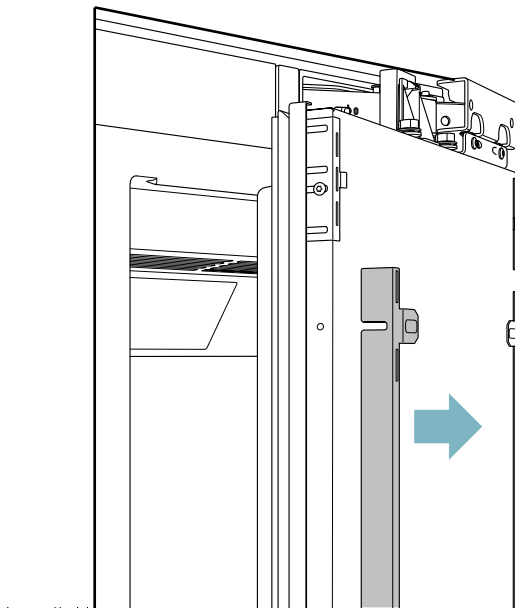
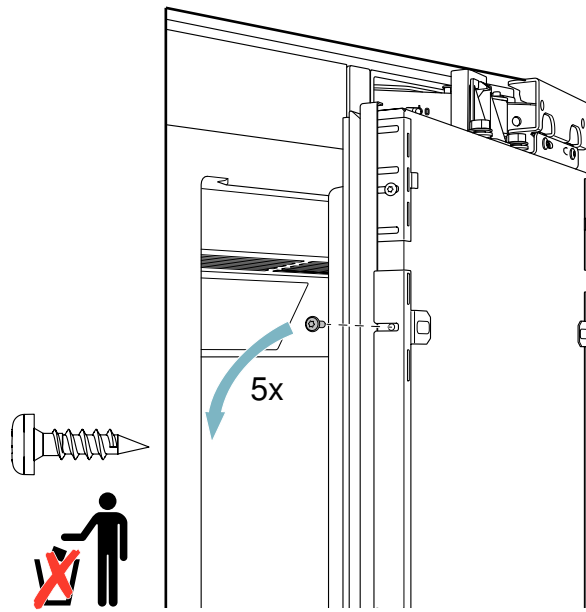
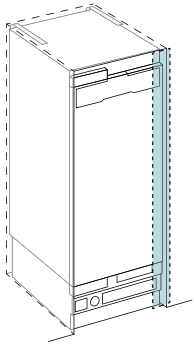
4x15			24" (610 mm) min. 6x
			30" (762 mm) min. 10x
			36" (915 mm) 12x

- A
- B
- C
- D

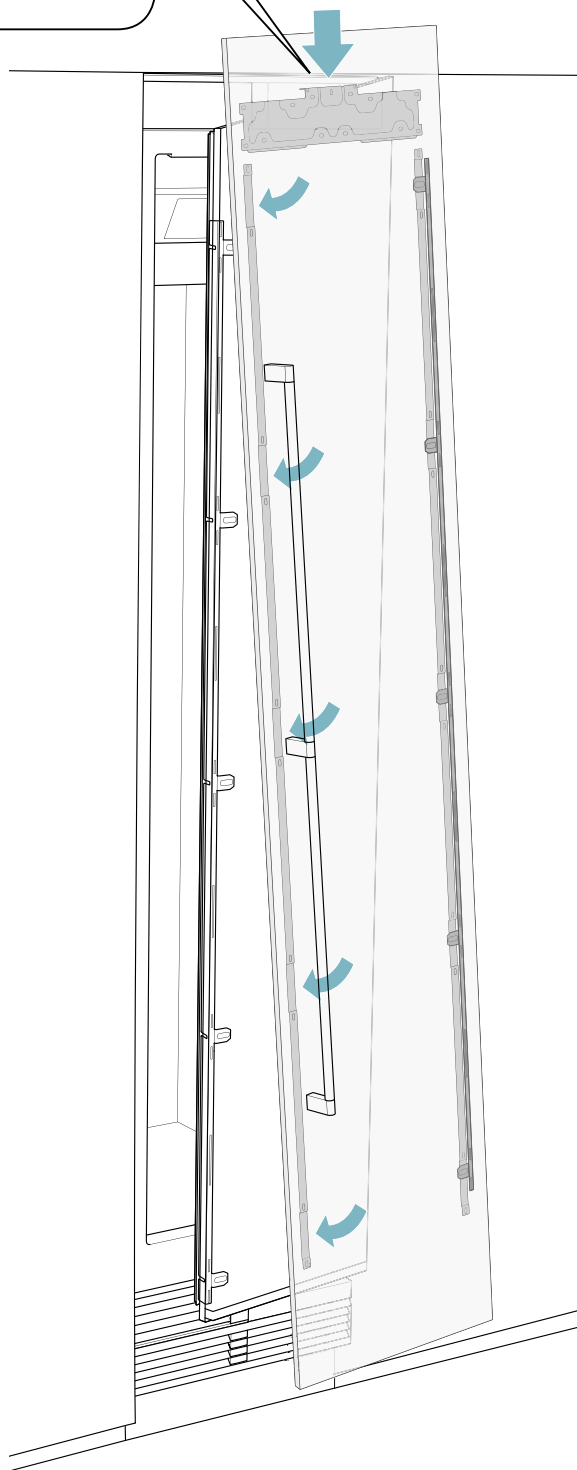
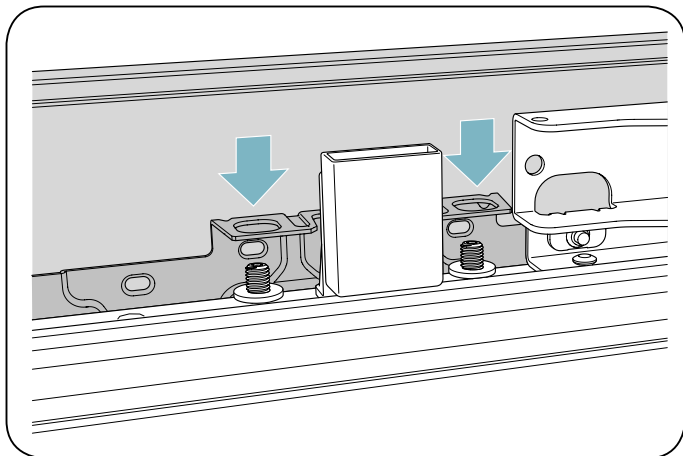


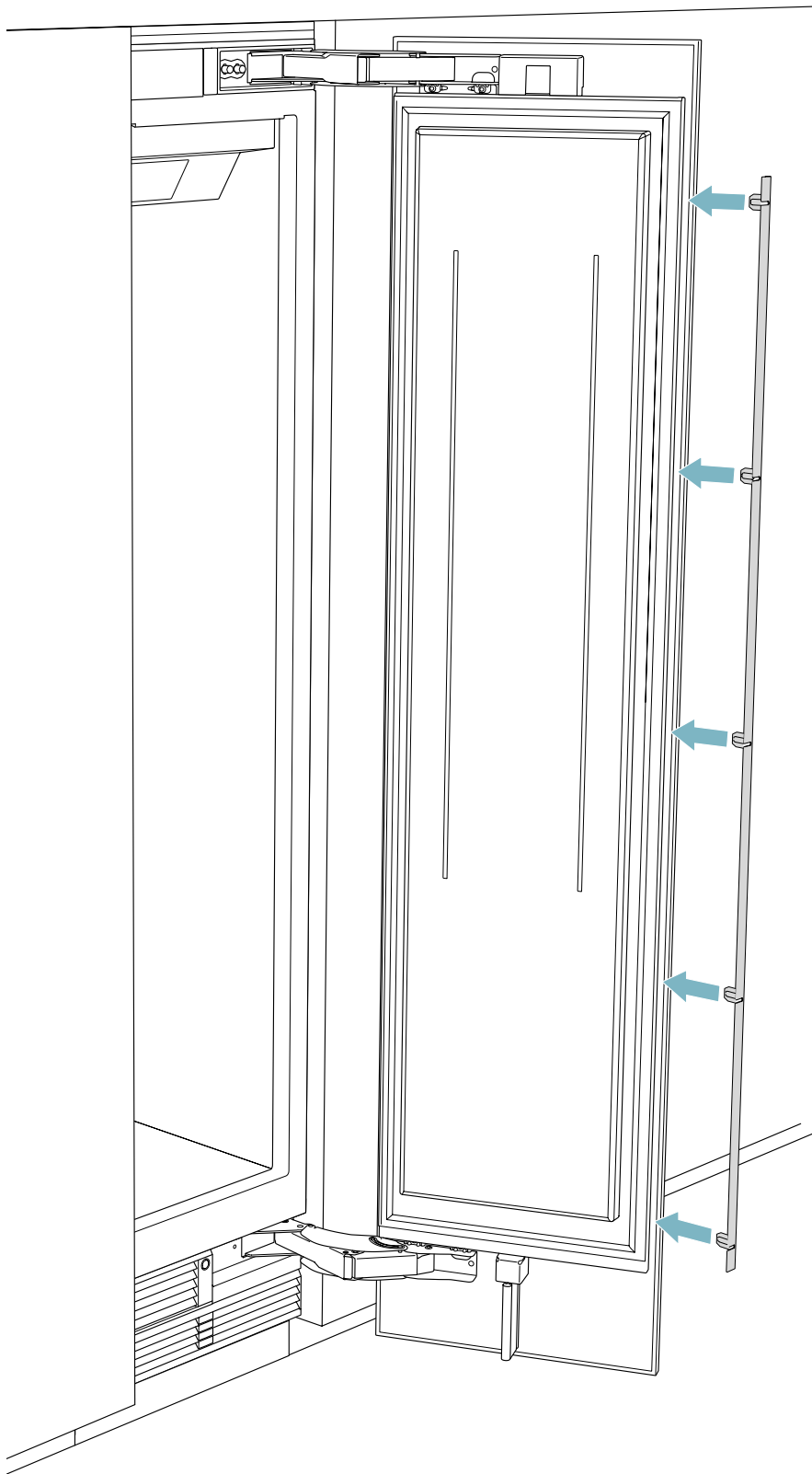
4x15			20x
------	--	--	-----



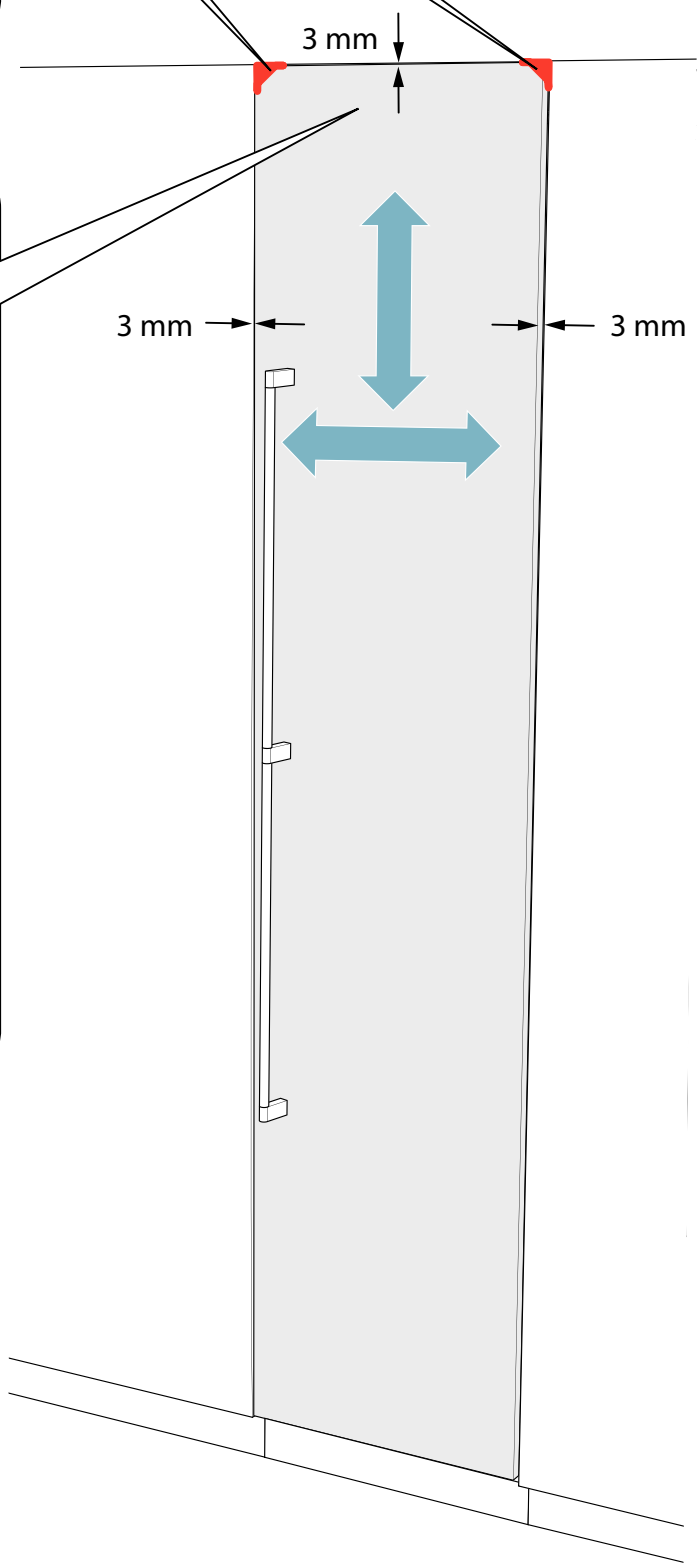
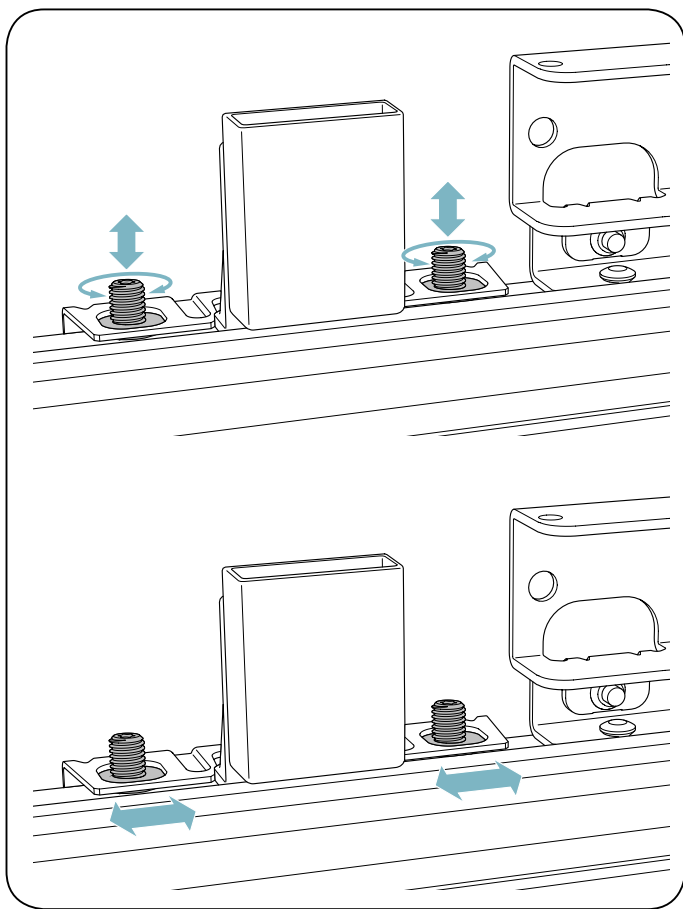
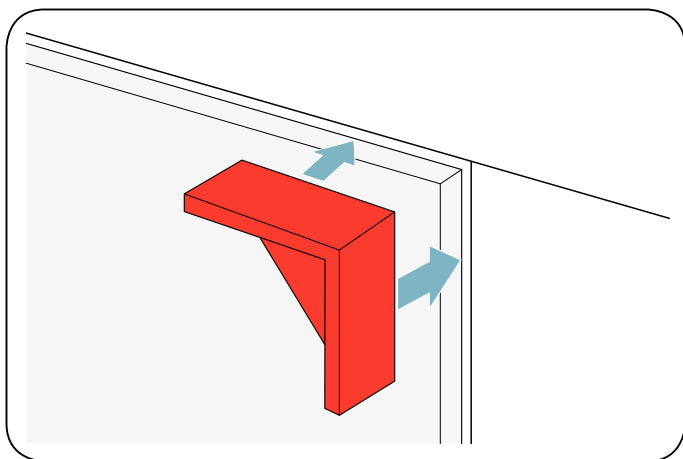


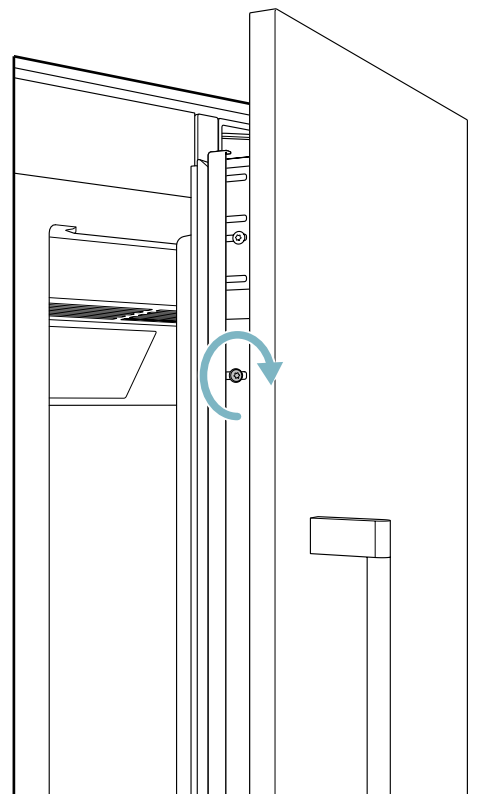
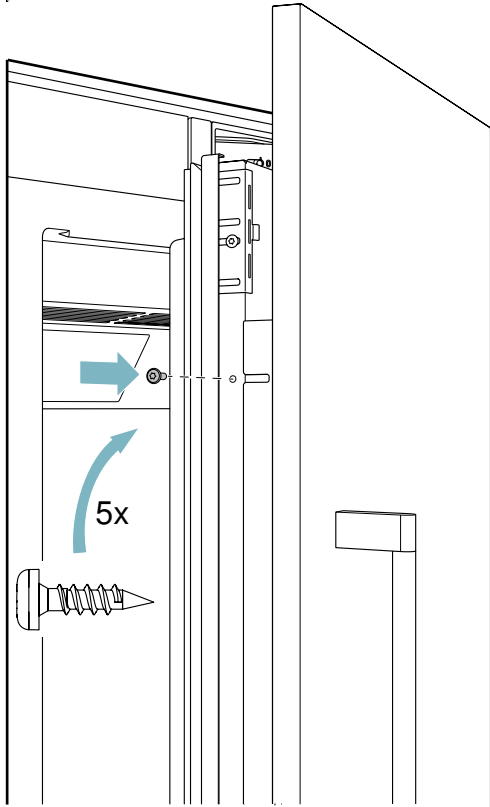
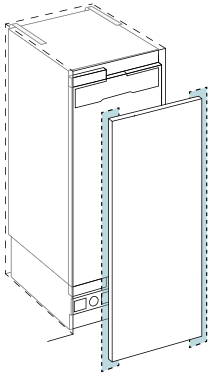
- A
- B
- C
- D



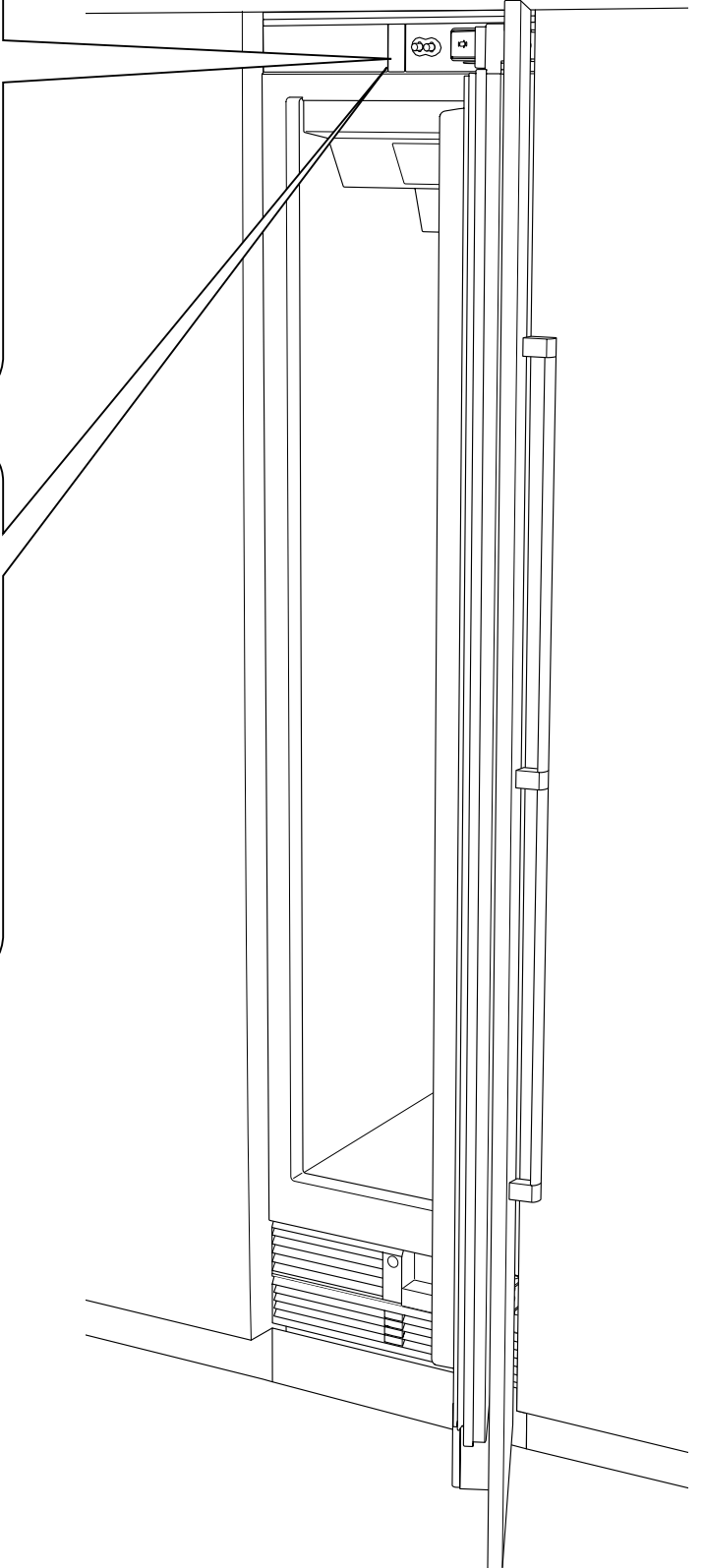
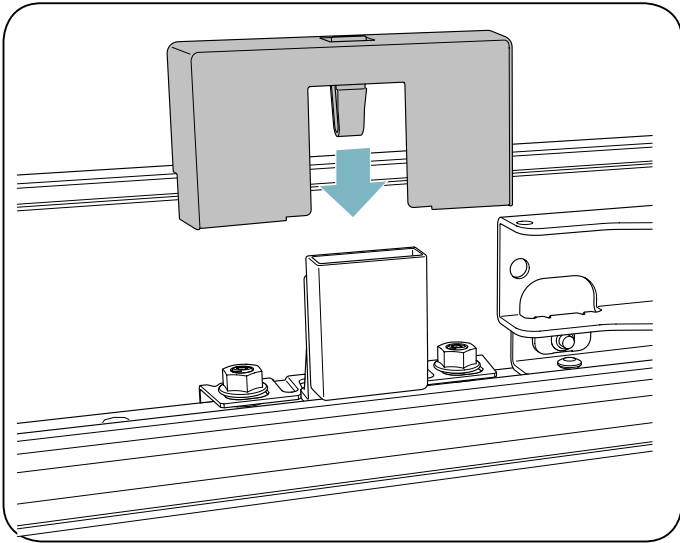
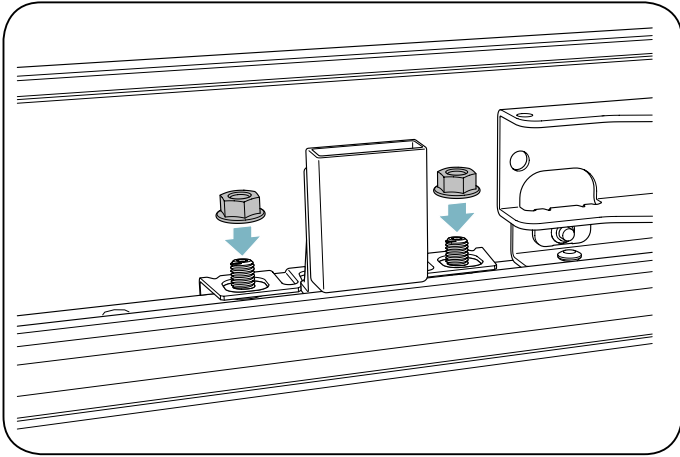


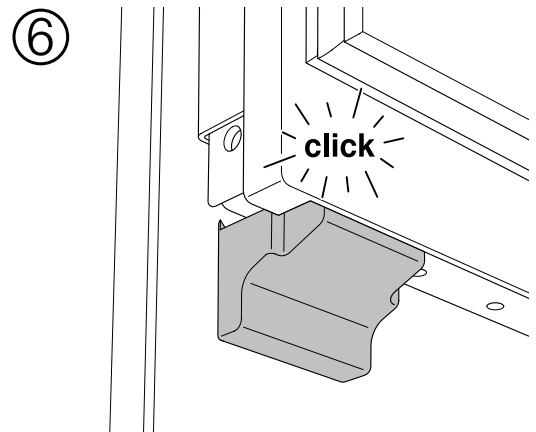
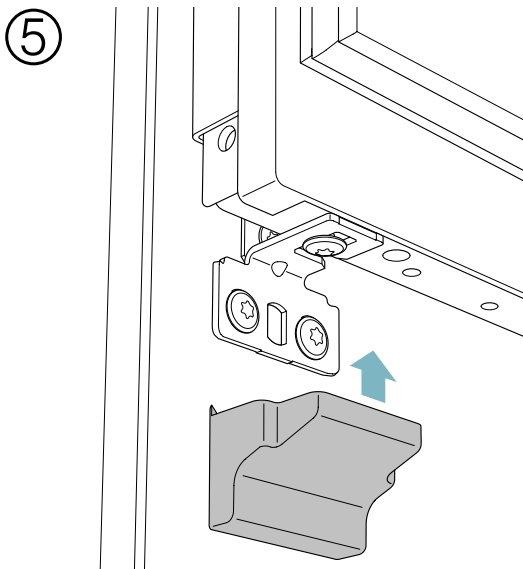
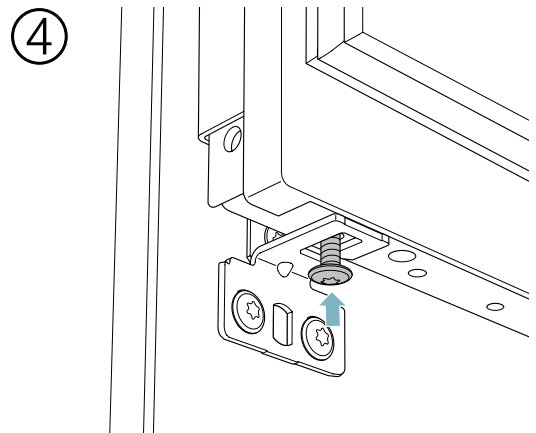
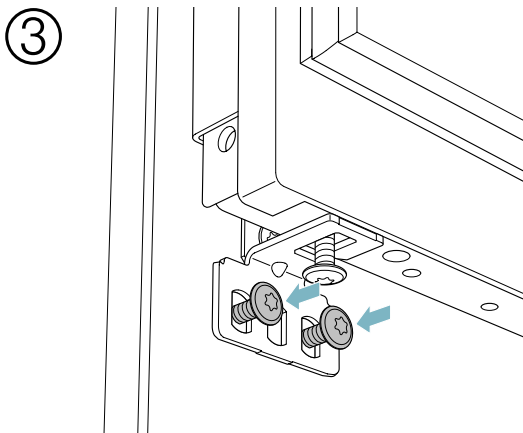
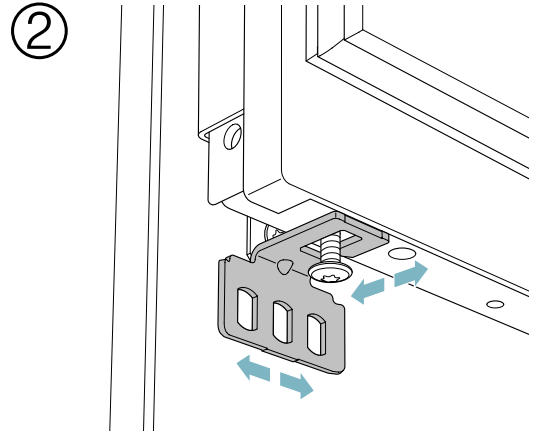
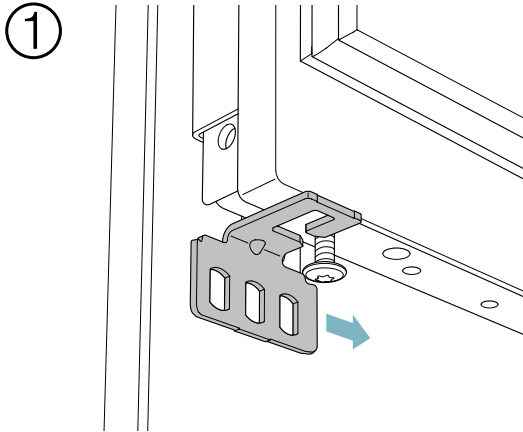
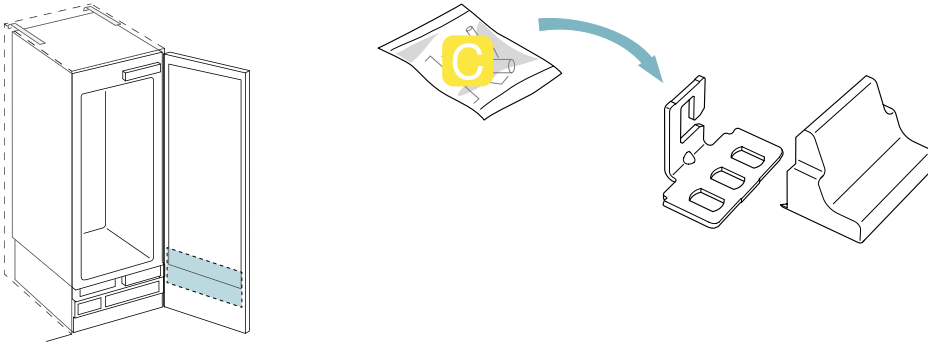
- A
- B
- C
- D



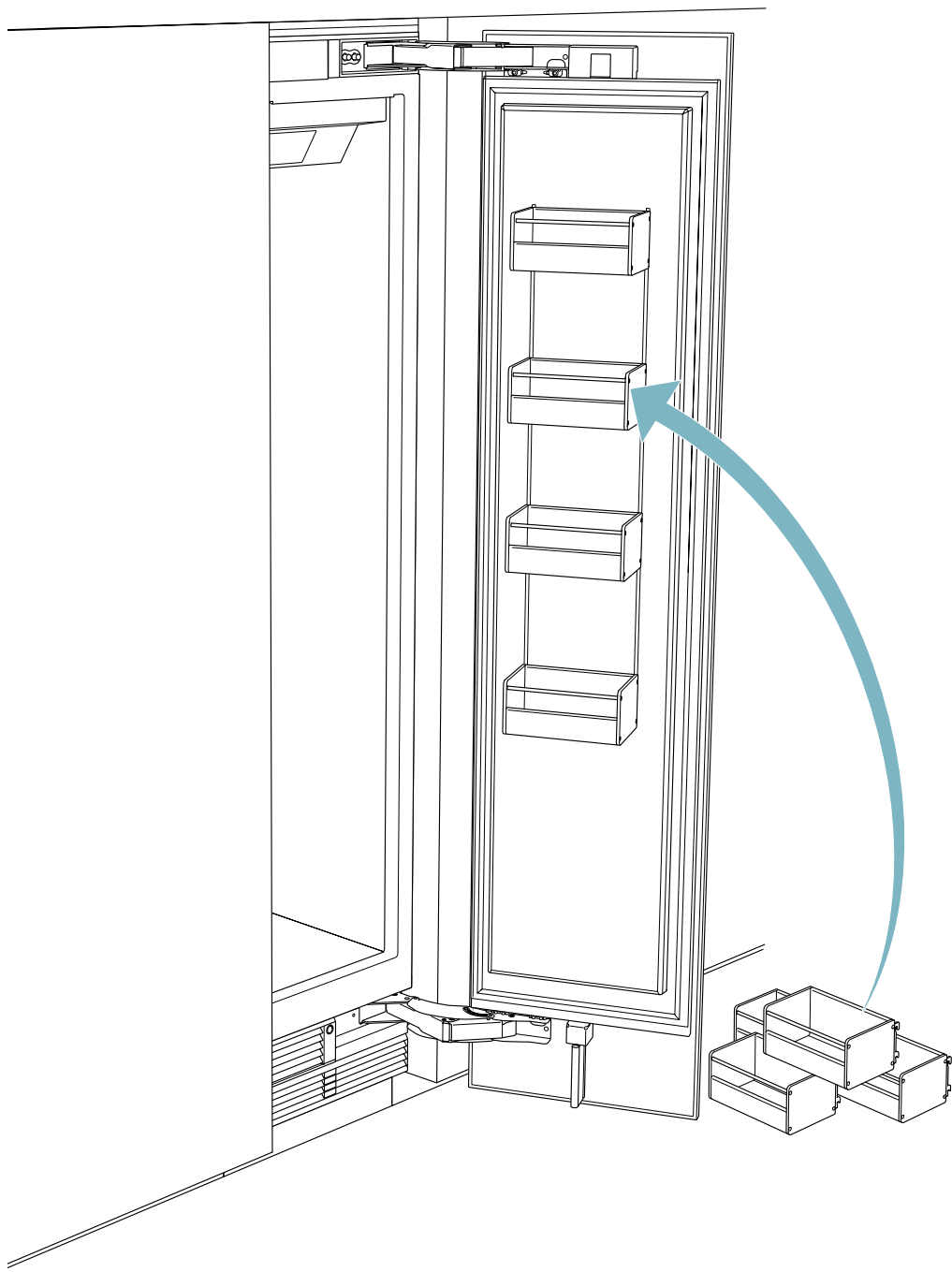


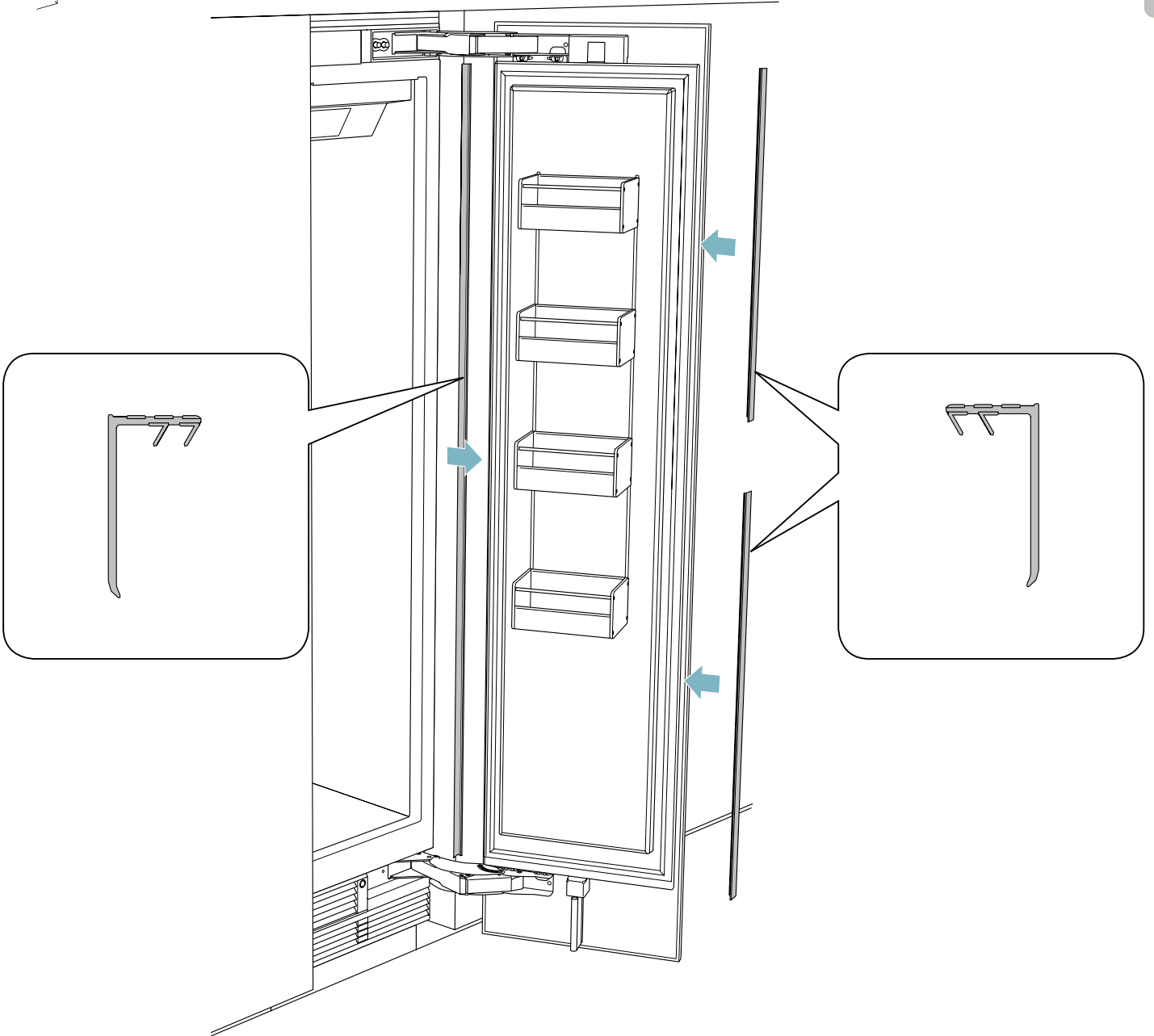
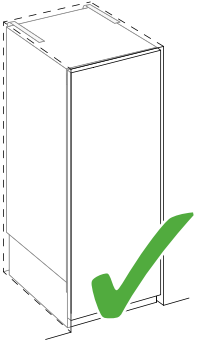
- A
- B
- C
- D



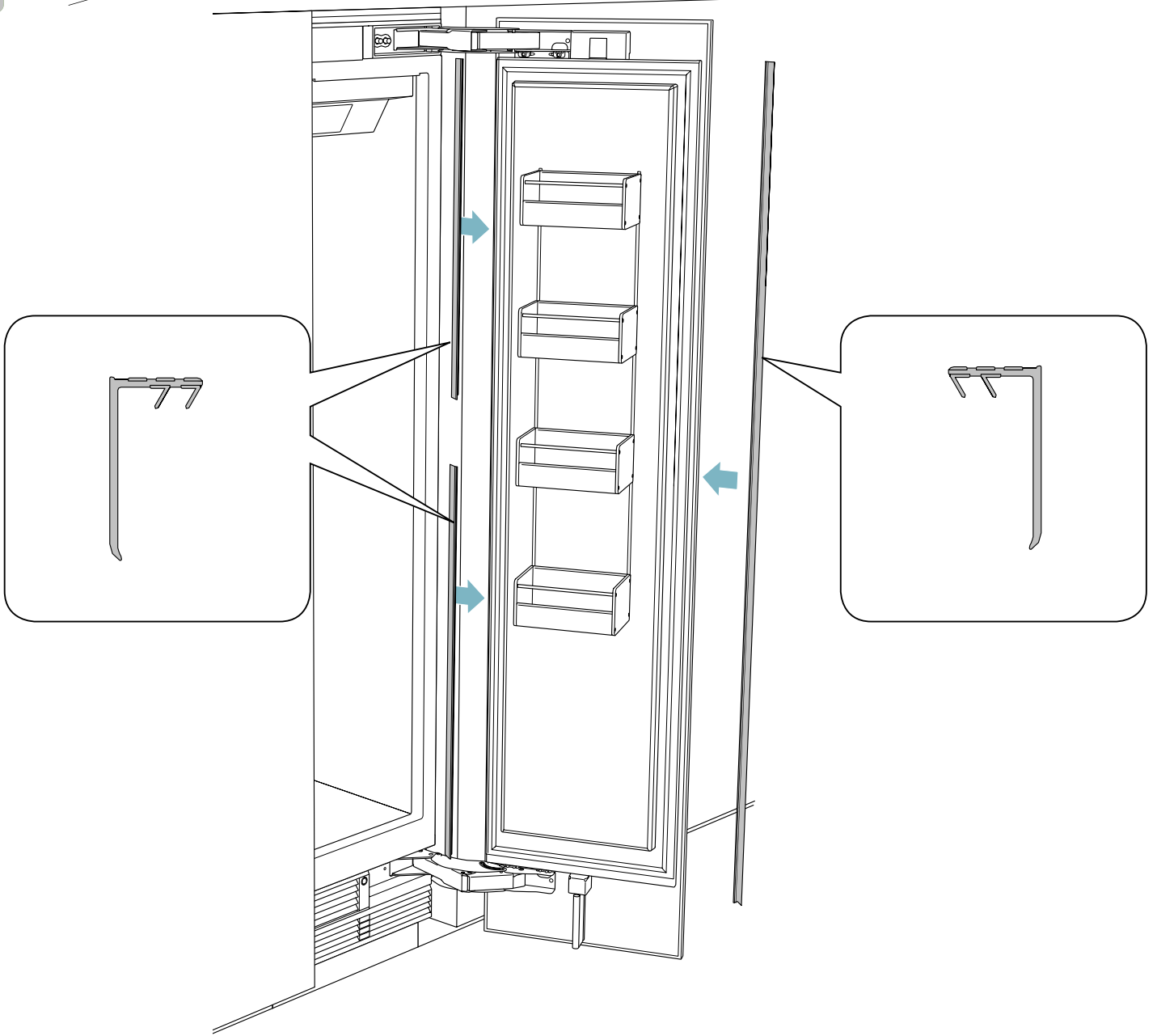
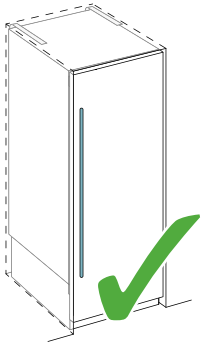


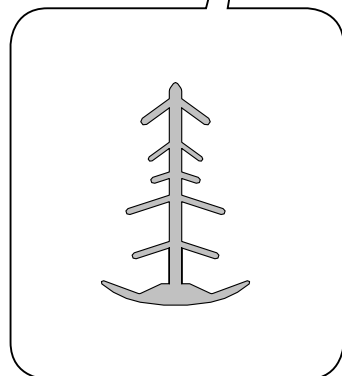
- A
- B
- C
- D



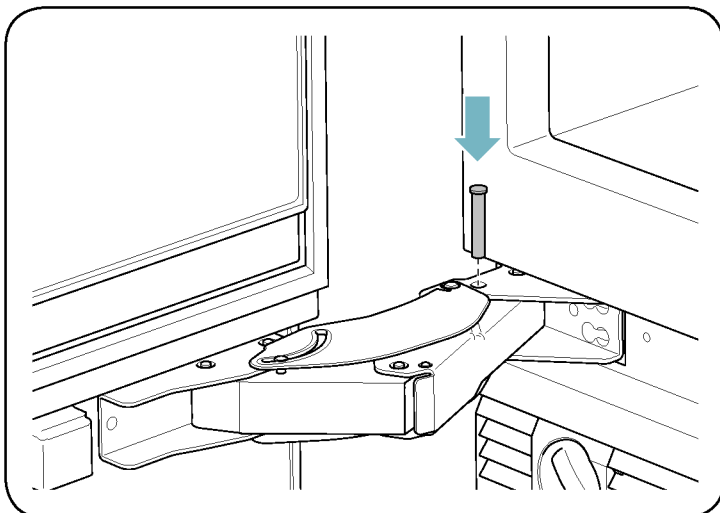
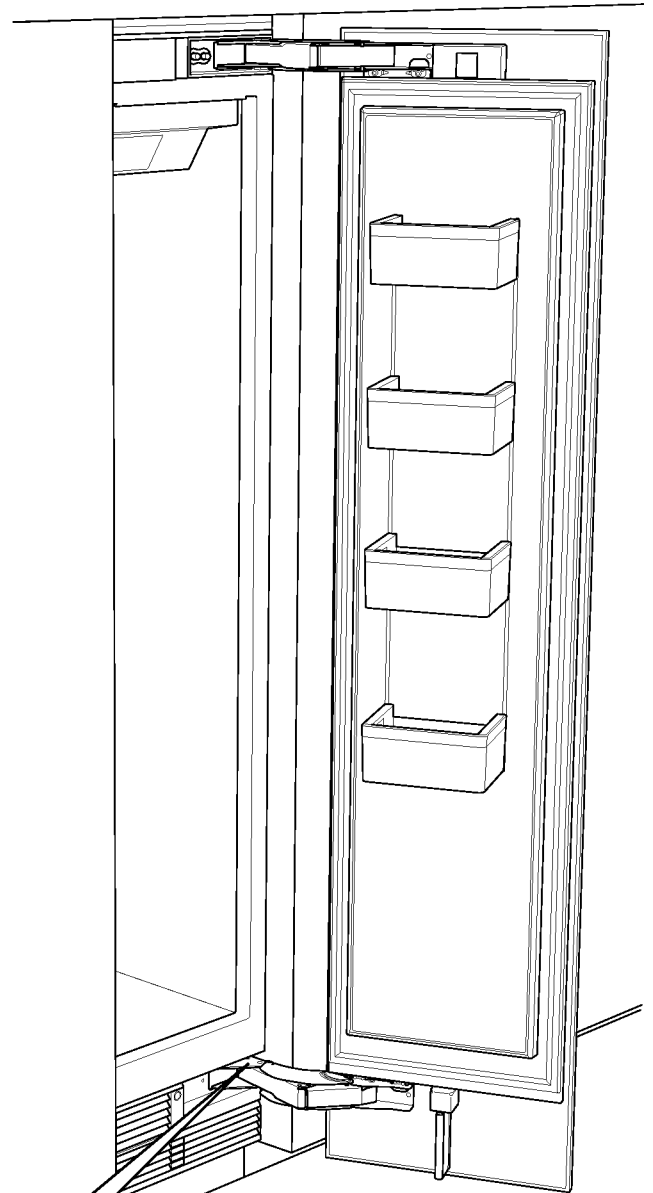
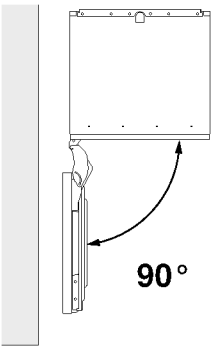
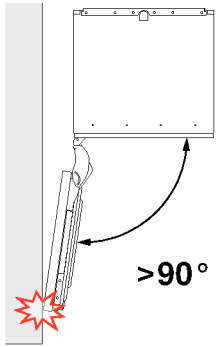
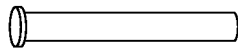


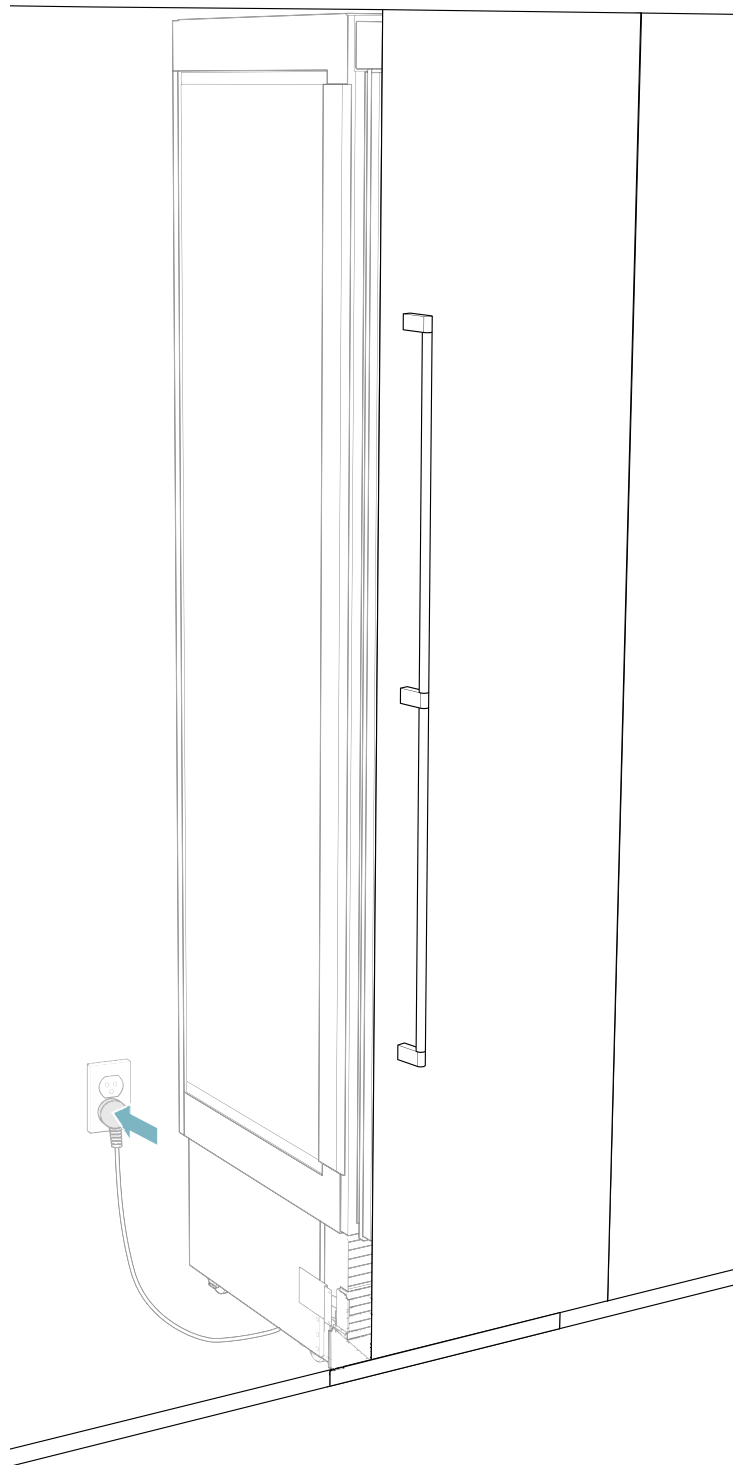
- A
- B
- C
- D





- A
- B
- C
- D





Gaggenau Hausgeräte GmbH
Carl-Wery-Straße 34
D-81739 München
www.gaggenau.com

8001132052 (9808)
xx

GAGGENAU

