



Register your  
new device on  
MyBosch now and  
get free benefits:  
[bosch-home.com/  
welcome](https://bosch-home.com/welcome)

# Freezer

## GSV..

en	Instructions for use	Freezer	4
fr	Notice d'utilisation	Congélateur	20
pt	Instruções de serviço	Congelador	38

---

## en Table of contents

Safety and warning information .....	4	Freezing fresh food .....	13
Information concerning disposal .....	7	Super freezing .....	14
Scope of delivery .....	7	Thawing frozen food .....	14
Installation location .....	8	Interior fittings .....	14
Ambient temperature and ventilation .	8	Switching off and disconnecting the appliance .....	15
Connecting the appliance .....	9	Defrosting .....	15
Getting to know your appliance .....	10	Cleaning the appliance .....	16
Switching on the appliance .....	10	Tips for saving energy .....	16
Setting the temperature .....	11	Operating noises .....	17
Alarm functions .....	11	Eliminating minor faults yourself .....	17
Usable capacity .....	11	Appliance self-test .....	18
Freezer compartment .....	12	Customer service .....	19
Freezing capacity .....	12		
Freezing and storing food .....	12		

---

## fr Table des matières

Consignes de sécurité et avertissements .....	20	Congélation et rangement .....	30
Conseil pour la mise au rebut .....	23	Congélation de produits frais .....	31
Étendue des fournitures .....	24	Supercongélation .....	32
Lieu d'installation .....	25	Décongélation des produits .....	32
Contrôler la température ambiante et l'aération .....	26	Équipement .....	33
Branchement de l'appareil .....	26	Arrêt et remisage de l'appareil .....	33
Présentation de l'appareil .....	27	Si vous dégivrez l'appareil .....	34
Allumer l'appareil .....	28	Nettoyage de l'appareil .....	34
Réglage de la température .....	28	Economies d'énergie .....	35
Fonctions d'alarme .....	29	Bruits de fonctionnement .....	35
Contenance utile .....	29	Remédier soi même aux petites pannes .....	36
Le compartiment congélateur .....	30	Autodiagnostic de l'appareil .....	37
Capacité de congélation .....	30	Service après-vente .....	37

---

## pt Índice

Instruções de segurança e de aviso .....	38	Capacidade de congelação .....	48
Instruções sobre reciclagem .....	42	Congelação e conservação .....	49
O fornecimento inclui .....	43	Congelação de alimentos frescos ....	49
Local da instalação .....	43	Supercongelação .....	50
Ter em atenção a temperatura ambiente e a ventilação .....	44	Descongelação dos alimentos .....	51
Ligar o aparelho .....	45	Equipamento .....	51
Familiarização com o aparelho .....	46	Desligar e desactivar o aparelho ....	52
Ligar o aparelho .....	46	Descongelação .....	52
Regular a temperatura .....	47	Limpeza do aparelho .....	53
Funções de alarme .....	47	Como poupar energia .....	53
Capacidade útil .....	48	Ruídos de funcionamento .....	54
Zona de congelação .....	48	Eliminação de pequenas anomalias	55
		Auto-teste do aparelho .....	56
		Serviço de Assistência Técnica .....	56

## Safety and warning information

### Before you switch ON the appliance

Please read the operating and installation instructions carefully! They contain important information on how to install, use and maintain the appliance. The manufacturer is not liable if you fail to comply with the instructions and warnings. Retain all documents for subsequent use or for the next owner.

### Technical safety



Fire hazard

The tubes of the refrigeration circuit convey a small quantity of an environmentally friendly but flammable refrigerant (R600a). It does not damage the ozone layer and does not increase the greenhouse effect. If refrigerant escapes, it may injure your eyes or ignite.

### If damage has occurred

- Keep naked flames and/or ignition sources away from the appliance,
- thoroughly ventilate the room for several minutes,

- switch off the appliance and pull out the mains plug,
- inform customer service.

The more refrigerant an appliance contains, the larger the room must be in which the appliance is situated. Leaking refrigerant can form a flammable gas-air mixture in rooms which are too small. The room must be at least 1 m<sup>3</sup> per 8 g of refrigerant. The amount of refrigerant in your appliance is indicated on the rating plate inside the appliance.

When installing the appliance, ensure that the mains cable is not trapped or damaged.

If the power cord of this appliance is damaged, it must be replaced by the manufacturer, Customer Service or a similarly qualified person. Improper installations and repairs may put the user at considerable risk.

Repairs may be performed by the manufacturer, customer service or a similarly qualified person only.

Only original parts supplied by the manufacturer may be used. The manufacturer guarantees that only these parts satisfy the safety requirements.

Do not use multiple sockets, extension leads or adapters.



## Fire hazard

Portable multiple outlets or power supplies may overheat, causing a fire.

Never leave portable multiple outlets or portable power supplies behind the appliance.

### **Important information when using the appliance**

- Never use electrical appliances inside the appliance (e.g. heaters, electric ice makers, etc.). Risk of explosion!
- Never defrost or clean the appliance with a steam cleaner! The steam may penetrate electrical parts and cause a short-circuit. Risk of electric shock!
- Do not use additional means to accelerate the defrosting process other than those recommended by the manufacturer. Risk of explosion!
- Do not use pointed or sharp-edged implements to remove frost or layers of ice. You might damage the refrigerant tubes. Leaking refrigerant may cause eye injuries or ignite.
- Do not store products which contain flammable propellant (e.g. spray cans) or explosive substances in the appliance. Risk of explosion!
- Do not stand on or lean heavily against the base of the appliance, drawers, doors, etc.
- For defrosting and cleaning, pull out the mains plug or switch off the fuse. Do not pull out the mains plug by tugging on the power cord.
- Store high-percentage alcohol tightly sealed and in an upright position.
- Keep plastic parts and the door seal free of oil and grease. Otherwise, plastic parts and the door seal will become porous.
- Never cover or block the ventilation openings of the appliance.
- Do not store bottled or canned liquids (especially carbonated drinks) in the freezer compartment. Bottles and cans may burst!
- Never put frozen food straight from the freezer compartment in your mouth. Risk of low-temperature burns!

### ■ **Avoiding placing children and vulnerable people at risk:**

At risk here are children, people who have limited physical, mental or sensory abilities, as well as people who have inadequate knowledge concerning safe operation of the appliance.

Check that children and vulnerable people have understood the hazards.

A person responsible for safety must supervise or instruct children and vulnerable people who are using the appliance.

Only children aged 8 years and above may use the appliance.

Supervise children while the appliance is being cleaned or maintained.

Never allow children to play with the appliance.

- Avoid prolonged touching of frozen food, ice or the evaporator pipes, etc.  
Risk of low-temperature burns!

### **Children in the household**

- Keep children away from packaging and its parts.  
Danger of suffocation from folding cartons and plastic film!
- Do not allow children to play with the appliance!
- If the appliance features a lock:  
keep the key out of the reach of children!

### **General regulations**

The appliance is suitable

- for freezing food,
- for making ice.

This appliance is intended for use in the home and the home environment.

The refrigeration circuit has been checked for leaks.

This appliance complies with the relevant safety regulations for electrical appliances and is fitted with noise suppression.

This appliance is intended for use up to a maximum height of 2000 metres above sea level.

---

## Information concerning disposal

### Disposal of packaging

The packaging protects your appliance from damage during transit. All utilised materials are environmentally safe and recyclable. Please help us by disposing of the packaging in an environmentally friendly manner.

Please ask your dealer or inquire at your local authority about current means of disposal.

### Disposal of your old appliance

Old appliances are not worthless rubbish! Valuable raw materials can be reclaimed by recycling old appliances.



This appliance is labelled in accordance with European Directive 2012/19/EU concerning used electrical and electronic appliances (waste electrical and electronic equipment - WEEE). The guideline determines the framework for the return and recycling of used appliances as applicable throughout the EU.

### Warning

Redundant appliances

1. Pull out the mains plug.
2. Cut off the power cord and discard with the mains plug.
3. Do not take out the trays and receptacles: children are therefore prevented from climbing in!
4. Do not allow children to play with the appliance once it has spent its useful life. Danger of suffocation!

Refrigerators contain refrigerant and gases in the insulation. Refrigerant and gases must be disposed of professionally. Ensure that tubing of the refrigerant circuit is not damaged prior to proper disposal.

---

## Scope of delivery

After unpacking all parts, check for any damage in transit.

If you have any complaints, please contact the dealer from whom you purchased the appliance or our customer service.

The delivery consists of the following parts:

- Free-standing appliance
- Interior fittings (depending on model)
- Bag containing installation materials
- Operating instructions
- Installation manual
- Customer service booklet
- Warranty enclosure
- Information on the energy consumption and noises

## Installation location

A dry, well ventilated room is suitable as an installation location. The installation location should not be exposed to direct sunlight and not placed near a heat source, e.g. a cooker, radiator, etc. If installation next to a heat source is unavoidable, use a suitable insulating plate or observe the following minimum distances from the heat source:

- 3 cm to electric or gas cookers.
- 30 cm to an oil or coal-fired cooker.

The floor of the installation location must not give way; if required, reinforce floor. If the floor is uneven, compensate with supports.

### Distance from wall

Fig. **3**

A gap is not required between the appliance and side wall. The containers and shelves are still fully extendable.

### Reversing the door

(if required)

If required, we recommend that you have the door hinges changed over by our customer service. You can find out the costs for changing over the door hinges from your appropriate customer service.

### Warning

While changing over the door hinges, ensure that the appliance is not connected to the power supply. Pull out the mains plug beforehand. To prevent damaging the back of the appliance, place adequate padding underneath. Carefully place the appliance on its back.

### Note

If the appliance is placed on its back, ensure that the wall spacer is not fitted.

## Ambient temperature and ventilation

### Ambient temperature

The appliance is designed for a specific climate class. Depending on the climate class, the appliance can be operated at the following temperatures.

The climate class can be found on the rating plate. Fig. **10**

Climate class	Permitted ambient temperature
<b>SN</b>	+10 °C to 32 °C
<b>N</b>	+16 °C to 32 °C
<b>ST</b>	+16 °C to 38 °C
<b>T</b>	+16 °C to 43 °C

### Note

The appliance is fully functional within the room temperature limits of the indicated climatic class. If an appliance of climatic class SN is operated at colder room temperatures, the appliance will not be damaged up to a temperature of +5 °C.



## Ventilation

Fig. 4

The air on the rear panel of the appliance heats up. Conduction of the heated air must not be obstructed. Otherwise, the refrigerating unit must work harder. This increases power consumption. Therefore: Never cover or block the ventilation openings!

---

## Connecting the appliance

After installing the appliance, wait at least 1 hour until the appliance is switched on. During transportation the oil in the compressor may have flowed into the refrigeration system.

Before switching on the appliance for the first time, clean the interior of the appliance (see chapter "Cleaning the appliance").

### Electrical connection

The socket must be near the appliance and also freely accessible following installation of the appliance.

### Warning

Risk of electric shock!

If the length of the mains cable is inadequate, never use multiple sockets or extension leads. Instead, please contact Customer Service for alternatives.

The appliance complies with protection class I. Connect the appliance to 220–240 V/50 Hz alternating current via a correctly installed socket with protective conductor. The socket must be protected by a 10 A to 16 A fuse.

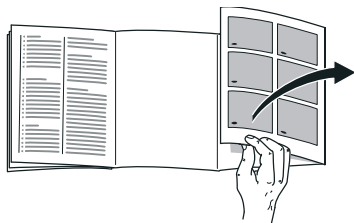
For appliances operated in non-European countries, check whether the indicated voltage and current type match the values of your electricity supply. This information can be found on the rating plate, Fig. 10.

### Warning

Never connect the appliance to electronic energy saver plugs.

Our appliances can be used with mains and sine-controlled inverters. Mains-controlled inverters are used for photovoltaic systems which are connected directly to the national grid. Sine-controlled inverters must be used for isolated applications (e.g. on ships or in mountain lodges) which are not connected directly to the national grid.

## Getting to know your appliance



Please fold out the illustrated last page. These operating instructions refer to several models.

The features of the models may vary.

The diagrams may differ.

Fig. 1

\* Not all models.

- 1-4 Controls
- 5 Freezer compartment flap
- 6 Frozen food container (small)
- 7 Freezer shelf
- 8 Frozen food container (large)
- 9 Condensation outlet
- 10 Height-adjustable feet
- 11\* Ice pack \*
- 12\* Freezer calendar
- 13 Door ventilation

## Controls

Fig. 2

- 1 **On/Off button**  
Serves to switch the whole appliance on and off.
- 2 **Temperature display**  
Indicates the set temperature of the freezer compartment.

- 3 **Display super freezing**  
Illuminates when super freezing is on.
- 4 **Temperature selection button**  
The required temperature is set with this button.

## Switching on the appliance

Fig. 2

Switch on the appliance with the On/Off button 1.

The temperature display 2 flashes.

When the freezer compartment has reached the set temperature, the temperature display 2 stops flashing.

We recommend a factory setting of -18 °C in the freezer compartment.

## Operating tips

- When the appliance has been switched on, it may take several hours until the set temperatures have been reached.  
Do not put any food in the appliance beforehand.
- The sides of the housing are sometimes heated slightly. This prevents condensation in the area of the door seal.
- If the freezer compartment door cannot be immediately re-opened after it has been closed, wait until the resulting low pressure has equalised.

---

## Setting the temperature

Fig. **2**

### Freezer

The temperature can be set from -16 °C to -26 °C.

Keep pressing temperature setting button 4 until the required freezer compartment temperature is set.

The value last selected is saved. The set temperature is indicated on temperature display 2.

---

## Alarm functions

Fig. **2**

### Door alarm

The door alarm (continuous sound) switches on if the appliance door is open for longer than one minute. Close the door to switch off the warning signal.

### Temperature alarm

The temperature alarm switches on if the freezer compartment is too warm and the frozen food is at risk of thawing.

Temperature display, Fig. **2**/2, is flashing.

The alarm may switch on without any risk to the frozen food:

- when the appliance is switched on,
- when large quantities of fresh food are placed in the appliance,
- if the freezer compartment door is open too long.

### Note

Do not refreeze thawing or thawed food. Only ready meals (boiled or fried) may be refrozen.

No longer store the frozen produce for the max. storage period.

### Switching off the alarm

Fig. **2**

Press the temperature setting button 4 to switch off the alarm.

---

## Usable capacity

Information on the usable capacity can be found inside your appliance on the rating plate. Fig. **10**

### Fully utilising the freezer volume

The maximum amount of food can be placed in the freezer by removing all fittings. The food can be stacked directly on the shelves and in the bottom of the freezer compartment.

### Removing the fittings

- Pull out the frozen food container all the way, lift at the front and remove. Fig. **5**
- Freezer compartment flap Fig. **7**
  1. Open freezer compartment flap halfway,
  2. detach holder from one side of the appliance,

3. pull freezer compartment flap forwards and remove from the holder,
4. detach holder from the other side of the appliance.

---

## Freezer compartment

### Use the freezer compartment

- To store deep-frozen food.
- To make ice cubes.
- To freeze food.

#### Note

Ensure that the freezer compartment door has been closed properly. If the door is open, the frozen food will thaw. The freezer compartment will become covered in thick ice. Also: waste of energy due to high power consumption!

---

## Freezing capacity

Information on the freezing capacity can be found on the rating plate. Fig. 10

### Prerequisites for freezing capacity

- Switch on super freezing before placing fresh products in the compartment (see chapter entitled “Super freezing”).
- Remove the fittings. The food can be stacked directly on the shelves and in the bottom of the freezer compartment.

- Freeze large quantities of food preferably in the very top compartment where food freezes particularly quickly and therefore also gently.

---

## Freezing and storing food

### Purchasing frozen food

- Packaging must not be damaged.
- Use by the “use by” date.
- Temperature in the supermarket freezer must be  $-18\text{ }^{\circ}\text{C}$  or lower.
- If possible, transport deep-frozen food in an insulated bag and place quickly in the freezer compartment.

### Note when loading products

- Preferably freeze large quantities of food in the top compartment, where food freezes particularly quickly and therefore also gently.
- Place the food over the whole area of the compartments or the frozen food containers.

#### Note

Food which is already frozen must not come into contact with the food which is to be frozen. If required, move the frozen food to the frozen food containers.

- To ensure air circulation in the appliance, insert frozen food container all the way.

## Freezing fresh food

Freeze fresh and undamaged food only.

To retain the best possible nutritional value, flavour and colour, vegetables should be blanched before freezing. Aubergines, peppers, zucchini and asparagus do not require blanching.

Literature on freezing and blanching can be found in bookshops.

### Note

Keep food which is to be frozen away from food which is already frozen.

- The following foods are suitable for freezing:  
Cakes and pastries, fish and seafood, meat, game, poultry, vegetables, fruit, herbs, eggs without shells, dairy products such as cheese, butter and quark, ready meals and leftovers such as soups, stews, cooked meat and fish, potato dishes, soufflés and desserts.
- The following foods are not suitable for freezing:  
Types of vegetables, which are usually consumed raw, such as lettuce or radishes, eggs in shells, grapes, whole apples, pears and peaches, hard-boiled eggs, yoghurt, soured milk, sour cream, crème fraîche and mayonnaise.

## Packing frozen food

To prevent food from losing its flavour or drying out, place in airtight containers.

1. Place food in packaging.
2. Remove air.
3. Seal the wrapping.
4. Label packaging with contents and date of freezing.

### Suitable packaging:

Cling wrap, tubular film made of polyethylene, aluminium foil, freezer containers.

These products are available from specialist outlets.

### Unsuitable packaging:

Wrapping paper, greaseproof paper, cellophane, bin liners and used shopping bags.

### Items suitable for sealing packaged food:

Rubber bands, plastic clips, string, cold-resistant adhesive tape, etc.

Bags and tubular film made of polyethylene (PE) can be sealed with a film heat sealer.

## Shelf life of frozen food

Storage duration depends on the type of food.

At a temperature of -18 °C:

- Fish, sausage, ready meals and cakes and pastries:  
up to 6 months
- Cheese, poultry and meat:  
up to 8 months
- Vegetables and fruit:  
up to 12 months

---

## Super freezing

Food should be frozen solid as quickly as possible in order to retain vitamins, nutritional value, appearance and flavour. Several hours before placing fresh food in the freezer compartment, switch on super freezing to prevent an unwanted temperature rise.

This appliance runs constantly and the freezer compartment drops to a very low temperature.

If the max. freezing capacity is to be used, super freezing must be switched on for 24 hours before the fresh produce is placed in the freezer compartment.

Smaller quantities of food (up to 2 kg) can be frozen without "super freezing".

### Note

When super freezing is switched on, increased operating noises may occur.

## Switching on and off

Fig. **2**

Keep pressing the temperature selection button 4 until the Super display 3 is lit.

Super freezing automatically switches off after approx. 2½ days.

---

## Thawing frozen food

Depending on the type and application, select one of the following options:

- at room temperature
- in the refrigerator
- in an electric oven, with/without fan assisted hot-air
- in the microwave

### Caution

Do not refreeze thawing or thawed food. Only ready meals (boiled or fried) may be refrozen.

No longer store the frozen produce for the max. storage period.

---

## Interior fittings

(not all models)

### Frozen food container (large)

Fig. **1**/8

For the storage of large frozen items, e.g. turkey, duck and goose.

### Freezer calendar

Fig. **6**/A

To prevent the quality of the frozen food from deteriorating, do not exceed the storage duration. The storage period depends on the type of produce. The figures next to the symbols indicate the permitted storage period of the produce in months. In the case of commercially available frozen food observe the date of manufacture or use-by date.

### Ice pack

Fig. **6**/B

The ice pack can be removed to cool food temporarily, e.g. in a cold bag.

If a power failure or malfunction occurs, the ice pack can be used to slow down the thawing process.

To save space, the ice pack can be stored in the door compartment.

## Ice cube tray

Fig. **8**

1. Fill the ice cube tray  $\frac{3}{4}$  full of drinking water and place in the freezer compartment.
2. If the ice tray is stuck to the freezer compartment, loosen with a blunt implement only (spoon-handle).
3. To loosen the ice cubes, twist the ice tray slightly or hold briefly under flowing water.

## Switching off and disconnecting the appliance

### Turn off appliance

Fig. **2**

Press the On/Off button 1.  
Temperature display 2 goes out,  
refrigeration unit switches off.

### Disconnecting the appliance

If you do not use the appliance for a prolonged period:

1. Switch off the appliance.
2. Pull out mains plug or switch off fuse.
3. Clean the appliance.
4. Leave the appliance door open.

## Defrosting

### Note

Approx. 4 hours before defrosting the appliance, switch on super freezing so that the food drops to a very low temperature and can therefore be stored at room temperature for a longer period.

### Proceed as follows:

1. Switch off appliance to defrost it.
2. Pull out mains plug or switch off fuse.
3. Place the freezer drawers containing the food in a cool location. Place the ice pack (if enclosed) on the food.
4. To collect the defrost water, place a flat tray under the condensation outlet.
5. Open condensation outlet. Fig. **9**
6. To accelerate the defrosting process, place two pans of hot water on a trivet in the appliance.
7. When the freezer compartment has defrosted, pour the water out of the freezer drawer. Wipe any remaining water off the bottom of the freezer compartment with a sponge.
8. Close condensation outlet.
9. When defrosting is complete, connect and switch on the appliance again.

## Cleaning the appliance

### Caution

- Do not use abrasive, chloride or acidic cleaning agents or solvents.
- Do not use scouring or abrasive sponges.  
The metallic surfaces could corrode.
- Never clean shelves and containers in the dishwasher.  
The parts may become deformed!

### Note

Approx. 4 hours before cleaning the appliance, switch on super freezing so that the food drops to a very low temperature and can therefore be stored at room temperature for a longer period.

### Proceed as follows:

1. Before cleaning: Switch the appliance off.
2. Pull out the mains plug or switch off the fuse.
3. Take out the frozen food and store in a cool location. Place the ice pack (if enclosed) on the food.
4. Clean the appliance with a soft cloth, lukewarm water and a little pH neutral washing-up liquid.
5. Wipe the door seal with clear water only and then wipe dry thoroughly.
6. After cleaning reconnect and switch the appliance back on.
7. Put the frozen food back in the freezer compartment.

## Tips for saving energy

- Install the appliance in a dry, well ventilated room! The appliance should not be installed in direct sunlight or near a heat source (e.g. radiator, cooker).  
If required, use an insulating plate.
- Do not block the ventilation openings in the appliance.
- Allow warm food and drinks to cool down before placing in the appliance.
- Thaw frozen food in the refrigerator compartment and use the low temperature of the frozen food to cool refrigerated food.
- Open the appliance as briefly as possible.
- Ensure that the freezer compartment door is always closed properly.
- To avoid increased power consumption, occasionally clean the back of the appliance.
- If available:  
Fit wall spacers to obtain the indicated energy rating of the appliance (see Installation instructions). A reduced wall gap will not restrict the function of the appliance. The energy rating may then increase slightly. The gap of 75 mm must not be exceeded.
- The arrangement of the fittings does not affect the energy rating of the appliance.



---

## Operating noises

### Quite normal noises

#### Droning

Motors are running (e.g. refrigerating units, fan).

#### Bubbling, humming or gurgling noises

Refrigerant is flowing through the tubing.

#### Clicking

Motor, switches or solenoid valves are switching on/off.

## Preventing noises

### The appliance is not level

Please align the appliance with a spirit level. Use the height-adjustable feet or place packing underneath them.

### The appliance is not free-standing

Please move the appliance away from adjacent units or appliances.

### Containers or storage areas wobble or stick

Please check the removable parts and re-insert them correctly if required.

---

## Eliminating minor faults yourself

Before you call customer service:

Please check whether you can eliminate the fault yourself based on the following information.

Customer service will charge you for advice – even if the appliance is still under guarantee!

Fault	Possible cause	Remedial action
Temperature differs greatly from the set value.		<p>In some cases it is adequate to switch off the appliance for 5 minutes.</p> <p>If the temperature is too high wait a few hours and check whether the temperature has approached the set value.</p> <p>If the temperature is too low check the temperature again the next day.</p>
Displays do not illuminate.	Power failure; the fuse has been switched off; the mains plug has not been inserted properly.	Connect mains plug. Check whether the power is on, check the fuses.

Fault	Possible cause	Remedial action
The temperature display flashes. Fig. 2/2	Fault - the freezer compartment is too warm.	To stop the temperature display flashing, press temperature setting button. Press Fig. 2/4.
	Frozen food is at risk.	The temperature display will also stop flashing when the freezer section is cold enough again.
	Ventilation openings are covered up.	Ensure that there is adequate ventilation.
	Too much food was placed in the freezer at once.	Do not exceed the freezing capacity.
Warning signal is emitted.	Appliance is open.	Close the appliance.
Appliance is not cooling, temperature display and light are lit.	Showroom mode is switched on.	Hold down temperature selection button fig. 2/4 for 10 seconds until an acknowledgement signal sounds. After a short time check whether your appliance is cooling.

## Appliance self-test

Your appliance features an automatic self-test program which shows you sources of faults which may be repaired by customer service only.

### Starting the appliance self-test

1. Switch off the appliance and wait 5 minutes.
2. Switch on the appliance and hold down the temperature selection button, Fig. 2/4, for 3-5 seconds within the first 10 seconds until -26 °C is lit on the temperature display.

The self-test programme starts, when the temperature displays lit up in succession.

When after a short time the appliance displays the set temperature prior to the self-test, everything is ok.

If the super display flashes for 10 seconds, an error has occurred. Inform customer service.

### Ending the appliance self-test

When the programme has ended, the appliance switches over to normal operation.

---

## Customer service

Your local customer service can be found in the telephone directory or in the customer service index. Please give customer service the product number (E-Nr.), the production number (FD) and the consecutive numbering (Z-Nr.) of the appliance.

This information can be found on the rating plate. Image **10**

This way you will help to prevent unnecessary callouts and save the associated additional costs.

## Repair order and advice on faults

Contact information for all countries can be found on the enclosed customer service list.

GB	0344 892 8979	Calls charged at local or mobile rate.
IE	01450 2655	0.03 € per minute at peak. Off peak 0.0088 € per minute.
US	800 944 2904	toll-free

## Consignes de sécurité et avertissements

### Avant de mettre l'appareil en service

Veuillez lire attentivement et entièrement les informations figurant dans les notices d'utilisation et de montage. Elle contiennent des remarques importantes concernant l'installation, l'utilisation et l'entretien de l'appareil.

Le fabricant décline toute responsabilité si les consignes et mises en garde contenues dans la notice d'utilisation ne sont pas respectées. Veuillez conserver ces documents en vue d'une réutilisation ultérieure ou pour le cas où l'appareil changerait de propriétaire.

### Sécurité technique



Risque d'incendie

Dans les tubulures du circuit frigorifique circule une petite quantité de fluide frigorigène respectueux de l'environnement mais combustible (R600a). Il n'abîme pas la couche d'ozone et n'accroît pas l'effet de serre. Le fluide frigorigène risque en fuyant de blesser les yeux ou de s'enflammer.

### Si l'appareil est endommagé

- éloignez de l'appareil toute flamme nue ou source d'inflammation,
- aérez bien la pièce pendant quelques minutes,
- éteignez l'appareil puis débranchez la fiche mâle de la prise de courant,
- prévenez le service après-vente.

Plus l'appareil contient du fluide réfrigérant et plus grande doit être la pièce dans laquelle il se trouve. Dans les pièces trop petites, un mélange gaz-air inflammable peut se former en cas de fuite.

Comptez 1 m<sup>3</sup> de volume minimum de la pièce pour 8 g de fluide réfrigérant. La quantité de fluide présente dans l'appareil est indiquée sur la plaque signalétique située à l'intérieur de ce dernier.

Lors de l'installation de l'appareil, veillez à ce que le cordon d'alimentation secteur ne soit pas coincé ni endommagé.

Si le cordon d'alimentation secteur de cet appareil a été endommagé, il faut confier son remplacement au fabricant, au service après-vente ou à une personne détenant des qualifications similaires. Les installations et réparations non effectuées dans les règles peuvent engendrer des risques considérables pour l'utilisateur. Les réparations ne pourront être réalisées que par le fabricant, le service après-vente ou une personne détenant des qualifications similaires.

Il ne faut utiliser que les pièces d'origine du fabricant. Le fabricant ne garantit que les pièces d'origine car elles seules remplissent les exigences de sécurité.

N'utilisez pas de bloc multiprise, de rallonge ou d'adaptateur.



Risque d'incendie

Les blocs multiprises ou blocs secteur portables peuvent surchauffer et provoquer un incendie.

N'utilisez pas de blocs multiprises ni de blocs secteur portables derrière l'appareil.

## Pendant l'utilisation

- N'utilisez jamais d'appareils électriques à l'intérieur de l'appareil (p. ex. appareils de chauffage, machine à glaçons, etc.). Risque d'explosion !
- Ne dégivrez ni ne nettoyez jamais l'appareil avec un nettoyeur à vapeur ! La vapeur risque d'atteindre des pièces électriques et de provoquer un court-circuit. Risque d'électrocution !
- Hormis les instructions du fabricant pour ne pas prendre des mesures supplémentaires pour accélérer le dégivrage. Risque d'explosion !
- Pour détacher le givre ou les couches de glace, n'utilisez jamais d'objets pointus ou présentant des arêtes vives. Vous risqueriez d'endommager les tubulures dans lesquelles circule le produit réfrigérant. Si le fluide réfrigérant jaillit, il peut provoquer des lésions oculaires ou s'enflammer.
- Ne stockez dans l'appareil ni produits contenant des gaz propulseurs inflammables (p. ex. bombes aérosols) ni produits explosifs. Risque d'explosion !

- Ne vous servez pas des socles, clayettes et portes comme marchepieds ou pour vous appuyer.
- Pour dégivrer et nettoyer l'appareil, débranchez la fiche mâle de la prise de courant ou retirez le fusible / désarmez le disjoncteur. Pour débrancher l'appareil, tirez sur la fiche mâle et non pas sur son cordon.
- Ne conservez les bouteilles de boissons fortement alcoolisées qu'hermétiquement fermées et debout.
- L'huile et la graisse ne doivent pas entrer en contact avec les parties en matières plastiques et le joint de porte. Ces derniers pourraient sinon devenir poreux.
- Ne recouvrez et n'obstruez jamais les orifices de ventilation de l'appareil.
- Dans compartiment congélation, ne stockez pas de liquides en bouteilles ou en boîtes (en particulier les boissons gazeuses). Les bouteilles et les boîtes pourraient éclater !

### ■ **Évitez des risques pour les enfants et les personnes vulnérables :**

Sont en danger les enfants et les personnes dont les capacités physiques, psychiques ou de perception sont restreintes, ainsi que les personnes ne détenant pas suffisamment de connaissances sur l'utilisation sûre de l'appareil.

Assurez-vous que les enfants et les personnes vulnérables ont bien compris la nature des dangers.

Une personne responsable de la sécurité doit surveiller ou guider les enfants et les personnes vulnérables lorsqu'elles se trouvent près de l'appareil.

Ne permettez l'utilisation de l'appareil qu'aux enfants de plus de 8 ans.

Surveillez les enfants pendant le nettoyage et la maintenance.

Ne laissez jamais des enfants jouer avec l'appareil.

- Ne portez jamais des produits surgelés à la bouche immédiatement après les avoir sortis du compartiment congélation.  
Risque d'engelures !

- Évitez tout contact prolongé des mains avec les produits congelés, la glace ou les tubes de l'évaporateur, etc. Risque d'engelures !

## Les enfants et l'appareil

- Ne confiez jamais l'emballage et ses pièces constitutives aux enfants. Ils risquent de s'étouffer avec les cartons pliants et les feuilles de plastique !
- L'appareil n'est pas un jouet pour enfants !
- Appareils équipés d'une serrure : rangez la clé hors de portée des enfants !

## Dispositions générales

L'appareil convient pour

- congeler des produits alimentaires,
- préparer des glaçons.

Cet appareil est destiné à un usage domestique dans un foyer privé, et à l'environnement domestique.

Le circuit frigorifique a subi un contrôle d'étanchéité.

Cet appareil est conforme aux dispositions de sécurité applicables aux appareils électriques et il est déparasité.

Cet appareil est conçu pour une utilisation jusqu'à une altitude maximale de 2 000 m.

## Conseil pour la mise au rebut

### Mise au rebut de l'emballage

L'emballage protège votre appareil contre les dommages susceptibles de survenir en cours de transport. Tous les matériaux qui le composent sont compatibles avec l'environnement et recyclables. Aidez-nous : à éliminer l'emballage dans le respect de l'environnement.

Pour connaître les circuits actuels de mise au rebut, adressez-vous s.v.p. à votre revendeur ou à l'administration de votre commune.



Éliminez l'emballage en respectant l'environnement.

### Mise au rebut de l'ancien appareil

Les appareils usagés ne sont pas des déchets dénués de valeur ! Leur élimination dans le respect de l'environnement permet d'en récupérer de précieuses matières premières.



Cet appareil est marqué selon la directive européenne 2012/19/UE relative aux appareils électriques et électroniques usagés (waste electrical and electronic equipment - WEEE).

La directive définit le cadre pour une reprise et une récupération des appareils usagés applicables dans les pays de la CE.

### **Mise en garde**

Avant de mettre au rebut l'appareil qui ne sert plus :

1. Débranchez sa fiche mâle.
2. Sectionnez son câble d'alimentation et retirez-le avec la fiche mâle.
3. Pour dissuader les enfants de grimper dans l'appareil, ne retirez pas les clayettes et les bacs !
4. Ne permettez pas aux enfants de jouer avec l'appareil lorsqu'il ne sert plus. Risque d'étouffement !

Les appareils réfrigérants contiennent du fluide réfrigérant. L'isolant contient des gaz. Il faut que le fluide réfrigérant et les gaz soient éliminés dans les règles de l'art. Jusqu'à l'enlèvement de l'appareil, veuillez bien à ce que son circuit frigorifique ne soit pas endommagé.

---

## Étendue des fournitures

Après avoir déballé, vérifiez toutes les pièces pour détecter d'éventuels dégâts dus au transport.

En cas de réclamation, veuillez vous adresser au revendeur auprès duquel vous avez acquis l'appareil ou auprès de notre service après-vente.

La livraison comprend les pièces suivantes :

- Appareil indépendant
- Équipement (selon le modèle)
- Sachet avec visserie de montage
- Notice d'utilisation
- Notice de montage
- Carnet de service après-vente
- Pièce annexe de la garantie
- Informations relatives à la consommation d'énergie et aux bruits



## Lieu d'installation

Un local sec et aérable convient comme lieu d'installation. Il faudrait que le lieu d'installation ne soit pas directement exposé aux rayons solaires et pas à proximité d'une source de chaleur (cuisinière, radiateur, etc.).

Si l'installation à côté d'une source de chaleur est inévitable, veuillez utiliser un panneau isolant approprié ou respecter les écarts minimums suivants par rapport à la source de chaleur :

- 3 cm par rapport aux cuisinières électriques ou à gaz.
- 30 cm par rapport à un appareil de chauffage au fuel ou au charbon.

Sur l'emplacement, le sol ne doit pas s'affaisser. Renforcez-le le cas échéant. Placez des garnitures sous l'appareil pour compenser les inégalités du sol éventuelles.

## Écart mural

Fig. 3

L'appareil ne requiert aucun écart latéral par rapport à un mur / une paroi. Il demeure néanmoins possible de faire coulisser entièrement les bacs et les clayettes.

## Changer le sens d'ouverture de hublot

(si nécessaire)

Si nécessaire, nous recommandons de confier l'inversion du sens d'ouverture de porte à notre service après-vente. Pour connaître le prix d'une inversion du sens d'ouverture de porte, consultez votre service après-vente compétent.



### Mise en garde

Pendant le changement du sens d'ouverture de porte, l'appareil ne doit pas être relié au secteur. Avant le changement, débranchez la fiche mâle de la prise de courant. Pour ne pas endommager le dos de l'appareil, placez en dessous suffisamment de matériau amortisseur. Couchez prudemment l'appareil sur le dos.

### Remarque

Si l'appareil va être couché sur le dos, il ne faut pas monter l'écarteur mural latéral.

# Contrôler la température ambiante et l'aération

## Température ambiante

L'appareil a été conçu pour une catégorie climatique précise. Suivant la catégorie climatique, l'appareil est utilisable dans les températures ambiantes suivantes.

La catégorie climatique de l'appareil figure sur sa plaque signalétique, Fig. 10.

Catégorie climatique	Température ambiante admissible
SN	+10 °C à 32 °C
N	+16 °C à 32 °C
ST	+16 °C à 38 °C
T	+16 °C à 43 °C

### Remarque

L'appareil est entièrement fonctionnel à l'intérieur des limites de température ambiante prévues dans la catégorie climatique indiquée. Si un appareil de la catégorie climatique SN est utilisé à des températures ambiantes plus basses, il est possible d'exclure que l'appareil s'endommage jusqu'à une température de +5 °C.

## Aération

Fig. 4

L'air entrant en contact avec la paroi arrière de l'appareil se réchauffe. L'air chaud doit pouvoir s'échapper sans obstacle. S'il ne le peut pas, le groupe frigorifique doit fonctionner plus longtemps, ce qui augmente la consommation de courant. Pour cette raison, ne recouvrez ni et n'obstruez jamais les orifices d'aération de l'appareil.

## Branchement de l'appareil

Après l'installation de l'appareil en position verticale, attendez au moins une heure avant de le mettre en service. Il peut en effet arriver, pendant le transport, que l'huile présente dans le compresseur se déplace vers le circuit frigorifique.

Avant la première mise en service, nettoyez le compartiment intérieur de l'appareil. (Voir le chapitre « Nettoyage de l'appareil ».)

### Branchement électrique

La prise de courant doit être proche de l'appareil et demeurer librement accessible même après avoir installé ce dernier.

## Mise en garde

Risque d'électrocution !

N'utilisez jamais de bloc multiprise ou de rallonge si la longueur du cordon d'alimentation secteur est insuffisante. Dans ce cas, contactez le service après-vente qui vous indiquera des alternatives.

L'appareil est conforme à la classe de protection I. Raccordez l'appareil au courant alternatif 220 – 240 V/50 Hz via une prise de courant installée dans les règles et comportant un fil de terre. La prise doit être protégée par un fusible de 10 A à 16 A.

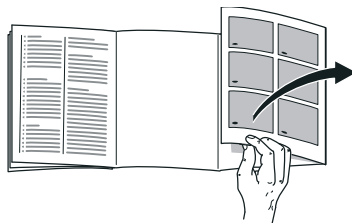
Sur les appareils utilisés dans des pays non européens, vérifiez si la tension et le type de courant indiqués correspondent aux valeurs de votre réseau électrique. Vous trouverez ces indications sur la plaque signalétique, Fig. 10.

## Mise en garde

Il ne faut en aucun cas raccorder l'appareil à des fiches électroniques d'économie d'énergie.

Nos appareils peuvent être alimentés via des onduleurs pilotés par le secteur ou à pilotage sinusoïdal. Directement raccordées au réseau public, les installations photovoltaïques font appel à des onduleurs pilotés par le secteur. Dans les solutions en îlots (p. ex. sur les bateaux ou les refuges de montagne), ne disposant pas d'un raccordement direct au réseau électrique public, il faut utiliser des onduleurs à pilotage sinusoïdal.

## Présentation de l'appareil



Veillez déplier la dernière page, illustrée, de la notice. La présente notice d'utilisation vaut pour plusieurs modèles. L'équipement des modèles peut varier. Selon le modèle, l'appareil peut différer du contenu des illustrations.

Fig. 1

\* Selon le modèle.

- 1-4 Éléments de commande
- 5 Trappe du compartiment congélateur
- 6 Bac à produits congelés (petit)
- 7 Grille de congélation
- 8 Bac à produits congelés (grand)
- 9 Orifice d'écoulement de l'eau de dégivrage
- 10 Pied à vis
- 11\* Accumulateurs de froid \*
- 12\* Calendrier de congélation
- 13 Aération de la porte

## Éléments de commande

Fig. 2

- 1 **Touche Marche / Arrêt**  
Il sert à allumer et éteindre l'ensemble de l'appareil.
- 2 **L'affichage de température**  
La température sur laquelle le compartiment congélateur a été réglé s'affiche.
- 3 **Indicateur de supercongélation**  
Ce voyant ne s'allume que pour indiquer que la supercongélation s'est enclenchée.
- 4 **Touche de réglage de la température**  
Cette touche permet de régler la température souhaitée.

---

## Allumer l'appareil

Fig. 2

Allumez l'appareil en appuyant sur la touche Marche / Arrêt 1.

L'affichage de température 2 clignote.

Une fois que le compartiment congélateur a atteint la température réglée, l'affichage de la température 2 arrête de clignoter.

Nous recommandons de régler le compartiment congélateur sur  $-18\text{ }^{\circ}\text{C}$  (réglage usine).

## Remarques concernant le fonctionnement de l'appareil

- Après son allumage, l'appareil peut avoir besoin de plusieurs heures pour atteindre les températures réglées. Pendant cette période, ne rangez pas de produits alimentaires dans l'appareil.
- L'appareil chauffe légèrement une partie de ses surfaces frontales pour empêcher une condensation d'eau dans la zone du joint de porte.
- Si la porte du compartiment congélateur ne se laisse pas immédiatement rouvrir après l'avoir fermée, attendez un moment pour laisser à la dépression régnant dans le compartiment le temps de se résorber.

---

## Réglage de la température

Fig. 2

### Compartiment congélateur

La température est réglable entre  $-16\text{ }^{\circ}\text{C}$  et  $-26\text{ }^{\circ}\text{C}$ .

Appuyez sur la touche de réglage de la température 4 jusqu'à ce que la température souhaitée soit réglée dans le compartiment congélateur.

L'appareil mémorise la valeur réglée en dernier. La température réglée s'affiche à l'affichage de température 2.

## Fonctions d'alarme

Fig. **2**

### Alarme relative à la porte

L'alarme relative à la porte (signal sonore permanent) s'active si la porte de l'appareil est restée ouverte plus d'une minute. Refermer la porte suffit pour que l'alarme sonore cesse.

### Alarme de température

L'alarme de température s'enclenche lorsque la température est trop élevée dans le compartiment congélateur et que les produits surgelés risquent de s'abîmer.

L'affichage de température, Fig. **2**/2, clignote.

L'alarme peut s'activer dans les cas suivants, sans que cela signifie que les produits congelés risquent de s'abîmer :

- lors de la mise en service de l'appareil,
- lors du rangement de grandes quantités de produits frais,
- lorsque la porte du compartiment congélateur est restée trop longtemps ouverte.

### Remarque

Ne remettez pas à congeler des produits alimentaires partiellement ou entièrement décongelés. Vous pourrez les recongeler uniquement après les avoir transformés en plats pré-cuisinés (par cuisson ou rôtissage).

N'utilisez pas la durée de conservation dans son intégralité.

## Désactiver l'alarme

Fig. **2**

Appuyez sur la touche de réglage de la température 4 pour désactiver l'alarme.

## Contenance utile

Vous trouverez les indications relatives à la contenance utile sur la plaque signalétique de votre appareil. Fig. **10**

### Utiliser l'intégralité du volume de congélation

Pour pouvoir ranger la quantité maximale de produits congelés, vous pouvez retirer toutes les pièces composant l'équipement. Il devient alors possible d'empiler les produits alimentaires au bas du compartiment de congélation.

### Pour retirer les pièces d'équipement

- Tirez le bac à produit congelés à vous jusqu'à la butée, soulevez-le à l'avant puis extrayez-le. Fig. **5**
- Trappe du compartiment congélateur Fig. **7**
  1. Ouvrez à moitié la trappe du compartiment congélateur.
  2. Détachez la fixation sur un côté de l'appareil.
  3. Tirez à vous et détachez la trappe de la fixation.
  4. Détachez la fixation de l'autre côté de l'appareil.

## Le compartiment congélateur

### Utilisation du compartiment congélateur

- Sert à ranger des produits surgelés.
- Sert à confectionner des glaçons.
- Pur congeler des produits alimentaires.

#### Remarque

Veillez à ce que la porte du compartiment congélateur soit correctement fermée ! Si cette porte reste ouverte, les produits surgelés dégèleront. Le compartiment congélateur se givre fortement. En outre : gaspillage d'énergie dû à une consommation élevée d'électricité !

## Capacité de congélation

Sur la plaque signalétique, vous trouverez des indications concernant la capacité de congélation. Fig. 10

### Conditions préalables pour la capacité de congélation

- Avant de ranger des produits alimentaires frais, allumez la supercongélation (voir le chapitre « Supercongélation »).
- Retirez les pièces d'équipement. Empilez les produits alimentaires directement sur les clayettes et au bas du compartiment congélateur.

- Rangez les quantités assez importantes de produits alimentaires dans le compartiment le plus haut. Ils y seront congelés à la fois très vite et en douceur.

## Congélation et rangement

### Achats de produits surgelés

- Leur emballage doit être intact.
- Ne dépassez pas la date-limite de conservation.
- Il faut que la température dans le congélateur bahut du supermarché soit de -18 °C ou encore plus basse.
- Utilisez de préférence un sac isotherme pour le transport puis rangez les produits le plus rapidement possible dans le compartiment congélateur.

### Attention lors de rangement

- Rangez les quantités assez importantes de produits alimentaires dans le compartiment le plus haut. Ils y seront congelés à la fois très vite et en douceur.
- Étalez les produits alimentaires sur une grande surface dans les compartiments et / ou dans les bacs à produits congelés.

#### Remarque

Veillez à ce que les produits congelés n'entrent pas en contact avec des produits frais à congeler. Le cas échéant, placez les produits congelés dans les bacs à produits congelés.

- Pour que l'air circule bien dans l'appareil, introduisez le bac à produits congelés jusqu'à la butée.

## Congélation de produits frais

Pour congeler les aliments, n'utilisez que des aliments frais et d'un aspect impeccable.

Il faudrait blanchir les légumes avant de les congeler, pour préserver le mieux possible leur valeur nutritive, leur arôme et leur teinte. Il n'est pas nécessaire de blanchir les aubergines, poivrons, courgettes et asperges.

Vous trouverez en librairie toute une bibliographie sur la congélation et le blanchissement.

### Remarque

Veillez à ce que les produits alimentaires à congeler n'entrent pas en contact avec des produits déjà congelés.

- Se prêtent à la congélation : Pâtisseries, poissons et fruits de mer, viande de boucherie et gibier, volaille, fruits, légumes, herbes culinaires, œufs sans la coque, produits laitiers comme le fromage, le beurre et le fromage blanc, plats précuisinés et restes de plats tels que les soupes, ragouts, la viande et le poisson cuits, les plats aux pommes de terre, les soufflés et mets sucrés.
- Ne se prêtent pas à la congélation : Variétés de légumes habituellement dégustées crues telles que la salade ou les radis, œufs dans leur coque, raisins, pommes, poires et pêches entières, œufs cuits durs, yaourt, lait caillé, crème acidulée, crème fraîche et mayonnaise.

## Emballer les surgelés

L'air ne doit pas pénétrer dans l'emballage pour que les aliments ne perdent pas leur goût ni ne sèchent pas.

1. Placez les aliments dans l'emballage.
2. Presser pour chasser l'air.
3. Obturez l'emballage hermétiquement.
4. Indiquez sur l'emballage le contenu et la date de congélation.

### Emballages adaptés :

Film en plastique, feuilles en polyéthylène, feuilles d'aluminium, boîtes de congélation.

Vous trouverez ces produits dans le commerce spécialisé.

### Emballages inadaptés :

Papier d'emballage, papier sulfurisé, cellophane, sacs-poubelles et sachets d'achat déjà utilisés.

### Moyens d'obturation adaptés :

Caoutchoucs, clips en plastique, ficelles, rubans adhésifs résistants au froid, ou assimilés.

Vous pouvez sceller les sachets ou boudins en polyéthylène avec une thermosoudeuse.

## Durée de conservation des produits surgelés

La durée de conservation dépend de la nature des produits alimentaires.

Si la température a été réglée sur -18 °C :

- Poisson, charcuterie, plats précuisinés, pâtisseries : jusqu'à 6 mois
- Fromage, volaille, viande : jusqu'à 8 mois
- Fruits et légumes : jusqu'à 12 mois

## Supercongélation

Il faudrait congeler les produits alimentaires à cœur le plus rapidement possible afin de préserver leurs vitamines, leur valeur nutritive, leur aspect et leur goût.

Pour empêcher une hausse indésirable de la température, allumez la supercongélation quelques heures avant de ranger des produits alimentaires frais.

L'appareil fonctionne désormais en permanence. Le compartiment congélateur atteint une température très basse.

Si il faut utiliser la capacité de congélation maximale, il faut enclencher la supercongélation 24 heures avant de ranger des produits frais.

Si vous ne voulez congeler que de petites quantités d'aliments (jusqu'à 2 kg), vous n'avez pas besoin d'enclencher la supercongélation.

### Remarque

Si vous avez activé la supercongélation, l'appareil peut fonctionner plus bruyamment.

## Allumage et extinction

Fig. 2

Appuyez sur la touche 4 de réglage de la température jusqu'à que la mention super 3 s'allume.

La supercongélation se désactive automatiquement au bout de 2½ jours.

## Décongélation des produits

Selon la nature et l'utilisation des produits surgelés, vous pouvez choisir entre plusieurs possibilités :

- à la température ambiante,
- dans le réfrigérateur,
- dans le four électrique, avec / sans ventilateur à air chaud,
- dans le micro-ondes.



### Attention

Ne remettez pas à congeler des produits alimentaires partiellement ou entièrement décongelés. Vous pourrez les recongeler uniquement après les avoir transformés en plats pré-cuisinés (par cuisson ou rôtissage).

Dans ce cas, consommez-les nettement avant la date limite de conservation.



## Équipement

(selon le modèle)

### Bac à produits congelés (grand)

Fig. 1/8

Pour ranger des produits congelés volumineux, par ex. dindes, canards et oies.

### Calendrier de congélation

Fig. 6/A

Pour que la qualité des produits congelés ne diminue pas, ne dépassez pas la durée de stockage. La durée de stockage dépend de la nature de l'aliment. Les chiffres à côté des symboles indiquent en mois la durée de conservation permise pour le produit concerné. Produits surgelés en vente habituelle dans le commerce : vérifiez la date de fabrication ou la date limite de conservation.

### Accumulateur de froid

Fig. 6/B

Vous pouvez retirer l'accumulateur de froid pour emporter des aliments par ex. dans un sac isotherme et les conserver ainsi au frais pendant une durée limitée.

Lors d'une coupure de courant ou en cas de panne, l'accumulateur de froid retarde le réchauffement des produits congelés stockés dans l'appareil.

Pour économiser de la place, vous pouvez ranger l'accumulateur dans le casier en contre-porte.

### Bac à glaçons

Fig. 8

1. Remplissez le bac à glaçons aux  $\frac{3}{4}$  d'eau potable puis rangez-le dans le compartiment congélateur.
2. Si le bac est resté collé dans le compartiment congélateur, n'utilisez qu'un instrument émoussé pour le décoller (un manche de cuiller par ex.).
3. Pour enlever les glaçons du bac, passez-le brièvement sous l'eau du robinet ou déformez légèrement le bac.

## Arrêt et remisage de l'appareil

### Mettre l'appareil hors tension

Fig. 2

Appuyez sur la touche Marche / Arrêt 1. L'affichage de température 2 s'éteint. Le groupe frigorifique s'éteint.

### Remisage de l'appareil

Si l'appareil doit rester longtemps sans servir :

1. Éteignez l'appareil.
2. Débranchez la fiche mâle du secteur ou ramenez le disjoncteur en position éteinte.
3. Nettoyez l'appareil.
4. Laissez la porte de l'appareil ouverte.

## Si vous dégivrez l'appareil

### Remarque

Enclenchez la supercongélation env. 4 heures avant de procéder au dégivrage pour que les aliments atteignent une température très basse et puissent rester ainsi un certain temps à la température ambiante sans décongeler.

### Procédure :

1. Pour dégivrer l'appareil, éteignez-le.
2. Débranchez la fiche mâle du secteur ou ramenez le disjoncteur en position éteinte.
3. Rangez les tiroirs remplis de produits surgelés dans un endroit frais. Posez les accumulateurs de froid (si fournis avec l'appareil) sur ces produits.
4. Pour récupérer l'eau de dégivrage, placez un bac peu profond sous l'orifice d'écoulement de cette eau.
5. Ouvrez l'orifice d'écoulement de l'eau de dégivrage. Fig. **9**
6. Pour accélérer le dégivrage, posez dans l'appareil, sur deux dessous de plat, deux casseroles remplies d'eau très chaude.
7. Après le dégivrage, videz l'eau de dégivrage récupérée. A l'aide d'une éponge, essuyez l'eau de dégivrage restée au bas du compartiment de congélateur.
8. Refermez l'orifice d'écoulement de l'eau de dégivrage.
9. Après le dégivrage, rebranchez l'appareil et allumez-le.

## Nettoyage de l'appareil



### Attention

- N'utilisez aucun produit de nettoyage ni aucun solvant contenant du sable, du chlorure ou de l'acide.
- N'utilisez jamais d'éponges abrasives ou susceptibles de rayer.  
Des zones corrodées pourraient apparaître sur les surfaces métalliques.
- Ne nettoyez jamais les clayettes et les bacs au lave-vaisselle.  
Ces pièces pourraient se déformer !

### Remarque

Enclenchez la supercongélation env. 4 heures de nettoyer l'appareil, pour que les aliments atteignent une température très basse et puissent rester ainsi un certain temps à la température ambiante sans décongeler.

### Procédure :

1. Éteignez l'appareil avant de le nettoyer.
2. Débranchez la fiche mâle du secteur ou ramenez le disjoncteur en position éteinte !
3. Sortez les produits congelés et rangez-les dans un endroit frais. Posez les accumulateurs de froid (si fournis avec l'appareil) sur ces produits.
4. Ne nettoyez l'appareil qu'avec un chiffon doux, de l'eau tiède et du produit à vaisselle présentant un pH neutre.

5. N'essayez le joint de porte qu'avec un chiffon et de l'eau propre ; ensuite, séchez-le à fond.
6. Après le nettoyage : rebranchez la fiche mâle de l'appareil puis réenclenchez-le.
7. Rangez à nouveau les produits surgelés dans les tiroirs.

---

## Economies d'énergie

- Placez l'appareil dans un local sec et aérable. Veillez à ce que l'appareil ne soit pas directement exposé aux rayons solaires et qu'il ne se trouve pas à proximité d'une source de chaleur (par ex. radiateur, cuisinière).  
Utilisez le cas échéant une plaque isolante.
- N'obstruez pas les grilles d'aération de l'appareil.
- Attendez que les plats chauds aient refroidi avant de les ranger dans le compartiment congélateur.
- Déposez le produit congelé dans le compartiment réfrigérateur et profitez de son froid pour refroidir les produits alimentaires.
- N'ouvrez la porte de l'appareil que le plus brièvement possible.
- Veillez à ce que la porte du compartiment congélateur soit correctement fermée.
- Pour éviter une consommation accrue de courant, nettoyez occasionnellement le dos de l'appareil.

- Si présent :  
Montez les écarteurs muraux pour parvenir à la quantité mentionnée d'énergie absorbée par l'appareil (voir la notice de montage). Un écart moins élevé par rapport au mur ne restreint pas le fonctionnement de l'appareil. Dans ce cas, l'énergie absorbée peut augmenter légèrement. Il ne faut pas dépasser un écart de 75 mm.
- L'agencement des pièces d'équipement n'influe pas sur l'énergie absorbée par l'appareil.

---

## Bruits de fonctionnement

### Bruits parfaitement normaux

#### Bourdonnement sourd

Les moteurs tournent (par ex. groupes frigorifiques, ventilateur).

#### Clapotis, sifflement léger ou gargouillis

Le fluide frigorigène circule dans les tuyaux.

#### Cliquetis

Le moteur, les interrupteurs ou les électrovannes s'allument / s'éteignent.

### Éviter la génération de bruits

#### L'appareil ne repose pas d'aplomb

Veillez mettre l'appareil d'aplomb à l'aide d'un niveau à bulle. Ajustez ensuite l'horizontalité par les pieds à vis ou placez un objet dessous.

#### L'appareil touche quelque chose

Eloignez l'appareil de meubles ou d'appareils voisins.

#### Les bacs ou surfaces de rangement vacillent ou se coincent

Vérifiez les pièces amovibles puis remettez-les en place correctement.

## Remédier soi même aux petites pannes

Avant d'appeler le service après-vente (SAV) :

Vérifiez svp si vous ne pouvez pas remédier vous-même au dérangement à l'aide des instructions qui suivent.

Vous éviterez des dépenses inutiles car le déplacement du technicien du SAV vous sera facturé même pendant la période de garantie.

Dérangement	Cause possible	Remède
La température dévie fortement par rapport au réglage.		<p>Dans certains cas, il suffira d'éteindre l'appareil pendant 5 minutes.</p> <p>Si la température est trop élevée, vérifiez au bout de seulement quelques heures si un rapprochement de la température a eu lieu.</p> <p>Si la température est trop basse, vérifiez à nouveau la température le lendemain.</p>
Aucun voyant ne s'allume.	Coupure de courant ; disjoncteur disjoncté ; fiche mâle pas complètement branchée dans la prise.	Branchez la fiche mâle dans la prise de courant. Vérifiez s'il y a du courant, vérifiez les fusibles / disjoncteurs.
L'affichage de la température clignote. Fig. 2/2	<p>Dérangement - la température est trop élevée dans le compartiment congélation.</p> <p>Les produits congelés risquent de s'abîmer.</p> <p>Les orifices d'entrée et de sortie d'air sont recouverts.</p> <p>Trop de produits alimentaires ont été rangés à la fois pour les faire congeler.</p>	<p>Pour arrêter le clignotement de l'affichage de la température, appuyez sur la touche de réglage de la température. Fig. 2/ Appuyez sur 4.</p> <p>L'affichage de la température cesse également de clignoter lorsque le compartiment congélation est de nouveau suffisamment froid.</p> <p>Veillez à ce que l'air puisse entrer et sortir librement.</p> <p>Ne dépassez pas la capacité de congélation maximale.</p>
Une alarme sonore retentit.	L'appareil est ouvert.	Fermer l'appareil.

Dérangement	Cause possible	Remède
L'appareil ne réfrigère pas, l'affichage de température et l'éclairage intérieur sont allumés.	L'appareil se trouve sur le mode Exposition.	Appuyez sur la touche de réglage de la température Fig. 2/4, pendant 10 secondes, jusqu'à ce qu'une tonalité de confirmation se fasse entendre.  Vérifiez au bout d'un certain temps si l'appareil réfrigère.

## Autodiagnostic de l'appareil

Votre appareil est équipé d'un programme automatique d'autodiagnostic qui vous affiche les sources de défauts ; seul le service après-vente est en mesure de les supprimer.

### Lancer l'autodiagnostic de l'appareil

1. Éteignez l'appareil et attendez 5 minutes.
2. Allumez l'appareil et au cours des dix premières secondes, appuyez pendant 3-5 secondes sur la touche de réglage de la température, Fig. 2/4, jusqu'à ce que la mention -26 °C s'affiche à l'affichage de température.

Le programme d'autodiagnostic démarre lorsque les mentions de température s'allument les unes après les autres.

Si au bout d'un temps bref l'appareil affiche la température réglée avant l'autodiagnostic, ceci signifie qu'il fonctionne correctement.

Si la mention super clignote pendant 10 secondes, cela signifie qu'il y a présence d'un défaut.  
Veuillez prévenir le service après-vente.

### Terminer l'autodiagnostic de l'appareil

Une fois le programme exécuté, l'appareil revient sur le service normal.

## Service après-vente

Pour connaître le service après-vente situé le plus près de chez vous, consultez l'annuaire téléphonique ou le répertoire des services après-vente (SAV). Veuillez indiquer au SAV le numéro de série (E-Nr.) de l'appareil, son numéro de fabrication (FD-Nr.) et son numéro de comptage (Z-Nr.).

Vous trouverez ces renseignements sur la plaque signalétique. Figure 10

Aidez-nous à éviter les déplacements inutiles et économisez ainsi des suppléments inutiles.

### Commande de réparation et conseils en cas de dérangements

Vous trouverez les données de contact pour tous les pays dans l'annuaire ci-joint du service après-vente.

FR 01 40 10 11 00  
B 070 222 141  
CH 0848 840 040

---

## Instruções de segurança e de aviso

### Antes de colocar o aparelho em funcionamento

Deverá ler atentamente as instruções de serviço e de montagem! Delas constam informações importantes sobre instalação, utilização e manutenção do aparelho.

O fabricante não se responsabiliza, se não forem observadas as instruções e avisos constantes das instruções de serviço. Guarde toda a documentação para posterior utilização ou para outro possuidor.

### Segurança técnica



Perigo de incêndio

Nos tubos do circuito de refrigeração flui em pequenas quantidades um agente refrigerante (R600a) ecológico mas inflamável. Não prejudica a camada de ozono nem aumenta o efeito estufa. Em caso de fuga do agente refrigerante, este pode ser prejudicial para os olhos ou pode inflamar-se.

### Em caso de danos

- Manter o aparelho afastado de chamas ou de fontes de ignição,
- arejar bem o compartimento durante alguns minutos,
- desligar o aparelho e retirar a ficha da tomada,
- contactar os Serviços Técnicos.

Quanto mais agente de refrigeração existir num aparelho, maior tem que ser o espaço onde se encontra o aparelho. Em espaços muito pequenos e havendo uma fuga, pode formar-se uma mistura de gás/ar inflamável.

Por cada 8 gramas de agente de refrigeração, o espaço da instalação tem que ser, no mínimo, de 1 m<sup>3</sup>.

A quantidade de agente refrigerador do seu aparelho vem indicada na chapa de características, que se encontra no interior do aparelho.

Assegurar que o cabo elétrico não fica entalado nem é danificado durante a instalação do aparelho.

Se o cabo eléctrico deste aparelho sofrer algum dano, o mesmo deve ser substituído pelo fabricante, pelo serviço de assistência técnica ou por um técnico igualmente qualificado. Instalações e reparações inadequadas podem acarretar perigos vários para o utilizador.

As reparações no aparelho só devem ser efectuadas pelo fabricante, pelos Serviços Técnicos ou por um técnico igualmente qualificado.

Só devem ser utilizadas peças originais do fabricante. Só com estas peças o fabricante pode garantir que elas satisfazem as exigências de segurança.

Não utilizar tomadas múltiplas, cabos de extensão ou adaptadores.



Perigo de incêndio

Tomadas múltiplas portáteis ou fichas de ligação da corrente portáteis podem sobreaquecer e provocar um incêndio.

Não colocar tomadas múltiplas portáteis nem fichas de ligação da corrente portáteis por trás do aparelho.

## Utilização

- Nunca utilizar aparelhos eléctricos dentro do aparelho (p. ex., aquecedores, aparelhos eléctricos para fazer gelados, etc.). Perigo de explosão!
- Nunca descongelar nem limpar o aparelho com um aparelho de limpeza a vapor! O vapor pode atingir os componentes eléctricos e provocar um curto-circuito. Perigo de choque eléctrico!
- Para além das especificações do fabricante, não tomar medidas adicionais para acelerar a descongelação. Perigo de explosão!
- Não utilizar quaisquer objetos pontiagudos ou de arestas vivas para eliminar gelo simples ou em camadas. Poderá, com isso, danificar a tubagem do agente refrigerador. O agente refrigerador, ao libertar-se, pode incendiar-se ou provocar ferimentos nos olhos.
- Não guardar no aparelho produtos com gases propulsores combustíveis (p. ex., latas de spray) nem substâncias explosivas. Perigo de explosão!

- Não utilizar rodapés, gavetas, portas, etc., como plataformas ou zonas de apoio.
  - Para descongelar e limpar, desligar a ficha da tomada ou o fusível de segurança. Puxar pela ficha e não pelo cabo elétrico.
  - Álcool de elevada percentagem só pode ser guardado no aparelho, se em recipiente hermeticamente fechado e em posição vertical.
  - Ter cuidado para não sujar as peças de plástico e o vedante da porta com óleo ou gordura. As peças de plástico e o vedante da porta podem, de contrário, tornar-se porosos.
  - Nunca tapar ou obstruir as aberturas para admissão e evacuação de ar.
- **Evitar riscos para crianças e pessoas suscetíveis:**

Suscetíveis a riscos são as crianças e as pessoas com limitações físicas, psíquicas ou mentais, bem como pessoas que não tenham conhecimentos suficientes sobre o comando seguro do aparelho.

Certifique-se de que crianças e pessoas suscetíveis compreenderam os riscos existentes.

Uma pessoa responsável pela segurança deve instruir e supervisionar crianças e pessoas suscetíveis a riscos. Só permitir a utilização do aparelho a crianças com mais de 8 anos.

Supervisionar as crianças em caso de trabalhos de limpeza e manutenção.

Nunca deixe que crianças brinquem com o aparelho.
  - Não guardar no compartimento de congelação líquidos em garrafas ou latas (especialmente bebidas gaseificadas). As garrafas e as latas podem explodir!



- Nunca leve imediatamente à boca alimentos congelados acabados de retirar do compartimento de congelação. Perigo de queimaduras provocadas pelo frio!
- Deverá evitar o contacto prolongado das mãos com os alimentos congelados, o gelo ou com a tubagem do evaporador, etc. Perigo de queimaduras provocadas pelo frio!

### **Crianças em casa**

- Não deixar a embalagem e seus componentes ao alcance de crianças. Perigo de asfixia provocado por cartões dobráveis e películas!
- O aparelho não é um brinquedo para crianças!
- No caso de aparelhos com fechadura: Guardar a chave fora do alcance das crianças!

### **Determinações gerais**

O aparelho destina-se

- à congelação de alimentos,
- à preparação de gelo.

Este aparelho está preparado para utilização doméstica em casas particulares e para o ambiente doméstico.

O circuito de frio foi testado quanto à sua estanquidade.

Este aparelho cumpre as disposições de segurança aplicáveis a aparelhos eléctricos e está livre de interferências.

O aparelho foi concebido para ser utilizado até a uma altitude de 2000 metros acima do nível do mar, no máximo.

---

# Instruções sobre reciclagem

## Reciclagem da embalagem

A embalagem protege o seu aparelho de danos no transporte. Os materiais utilizados não são poluentes e são reutilizáveis. Proceda à reciclagem da embalagem de forma compatível com o meio ambiente.

Junto do seu Agente ou dos Serviços Municipalizados poderá informar-se sobre os procedimentos actuais de reciclagem.

## Reciclagem dos aparelhos usados

Os aparelhos antigos não são lixo sem qualquer valor! Através duma reciclagem compatível com o meio ambiente, podem ser recuperadas matérias primas valiosas.



Este aparelho está marcado em conformidade com a Directiva 2012/19/UE relativa aos resíduos de equipamentos eléctricos e electrónicos (waste electrical and electronic equipment - WEEE).

A directiva estabelece o quadro para a criação de um sistema de recolha e valorização dos equipamentos usados válido em todos os Estados Membros da União Europeia.

## Aviso

Em aparelhos fora de serviço

1. Desligar a ficha da tomada.
2. Cortar o cabo eléctrico e afastá-lo do aparelho com a respectiva ficha.
3. Não retirar as prateleiras e os recipientes, para evitar que as crianças trepem com a ajuda destes.
4. Não deixar que as crianças brinquem com o aparelho fora de serviço. Perigo de asfixia!

Os aparelhos de frio contêm agente refrigerador e, no isolamento, gases. O agente refrigerador e os gases devem ser eliminados correctamente. Ter cuidado para não danificar a tubagem do agente refrigerador até à sua reciclagem correcta.

---

## O fornecimento inclui

Depois de desembrulhar o aparelho, há que verificar todas as peças quanto eventuais danos de transporte.

Para reclamações, dirija-se ao Agente, onde comprou o aparelho ou à nossa Assistência Técnica.

O fornecimento é constituído pelas seguintes peças:

- Aparelho Solo
- Equipamento (dependente do modelo)
- Saco com material para a montagem
- Instruções de serviço
- Instruções de montagem
- Folheto sobre Assistência Técnica
- Anexo sobre garantia
- Informações sobre consumo de energia e ruídos

---

## Local da instalação

Como local de instalação, recomenda-se um local seco e com boa ventilação. O local de instalação não deve sofrer a irradiação directa dos raios solares, nem estar próximo de uma fonte de calor, como fogão, corpo de aquecimento etc. Se a instalação junto de uma fonte de calor for inevitável, utilizar uma placa de isolamento adequada ou manter as seguintes distâncias mínimas em relação à fonte de calor:

- Em relação a fogões eléctricos e a gás 3 cm.
- Em relação a fogões a óleo ou a carvão 30 cm.

O pavimento no local da instalação não pode ceder, se necessário, reforçá-lo. Compensar as eventuais irregularidades do chão com calços.

## Distância em relação à parede

Fig. 3

É necessário manter uma distância lateral do aparelho em relação à parede. Apesar disso, os recipientes e as prateleiras são totalmente extensíveis.

## Mudar o lado de abertura da porta

(se necessário)

Se necessário: Recomendamos que a alteração do sentido de abertura da porta seja efectuada pelos nossos Serviços Técnicos. Junto dos Serviços Técnicos poderá saber quais os custos da alteração do sentido de abertura da porta.

### **Aviso**

Durante a alteração do sentido de abertura da porta o aparelho não pode estar ligado à corrente eléctrica. Desligar, primeiro, a ficha da tomada. Para não danificar a parte traseira do aparelho, colocar por baixo material almofadado em quantidade suficiente. Deitar, cuidadosamente, o aparelho sobre a parte de trás.

### **Indicação**

Se o aparelho for assente pela parte trazeira, o distanciador da parede não pode ser montado.

## Ter em atenção a temperatura ambiente e a ventilação

### Temperatura ambiente

O aparelho foi concebido para uma determinada classe climática. Dependendo da classe climática, o aparelho pode funcionar com as seguintes temperaturas ambiente.

A classe climática encontra-se na chapa de características, Fig. **10**.

Classe climática	Temperatura ambiente permitida
<b>SN</b>	+10 °C até 32 °C
<b>N</b>	+16 °C até 32 °C
<b>ST</b>	+16 °C até 38 °C
<b>T</b>	+16 °C até 43 °C

### Indicação

O aparelho está completamente operacional dentro dos limites da temperatura ambiente da classe climática indicada. Se um aparelho da classe climática SN for operado a temperaturas ambientes mais baixas, podem ser excluídos danos no mesmo até uma temperatura de +5 °C.

## Ventilação

Fig. 4

O ar na parte de trás do aparelho é aquecido. O ar aquecido tem que poder ser expelido sem impedimentos. De contrário, a máquina de frio tem que trabalhar mais. Isto aumentará o consumo de energia. Por isso: Não tapar nem obstruir as aberturas de ventilação!

## Ligar o aparelho

Depois do aparelho estar instalado, dever-se-á esperar, pelo menos, 1 hora, antes de pôr o aparelho a funcionar. Durante o transporte, pode acontecer que o óleo existente no compressor se tenha infiltrado no sistema de frio.

Antes da primeira colocação em funcionamento, deverá limpar o interior do aparelho (ver «Limpeza do aparelho»).

## Ligação elétrica

A tomada deve situar-se junto do aparelho e ficar facilmente acessível, depois da instalação do aparelho.

### Aviso

Perigo de choque elétrico!

Caso o comprimento do cabo elétrico não seja suficiente, não utilize em circunstância alguma tomadas múltiplas ou cabos de extensão. Em vez disso, entre em contacto com o serviço de assistência técnica para que lhe indiquem alternativas.

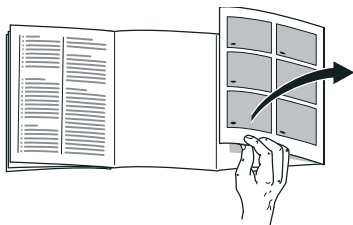
O aparelho está em conformidade com a classe de proteção I. Ligar o aparelho a uma tomada de corrente alterna de 220-240 V/50 Hz instalada de acordo com as normas e com condutor de proteção. A tomada de corrente tem que estar protegida por um fusível de 10 até 16 A. No caso de aparelhos que vão funcionar em países fora da Europa, verifique se a tensão e o tipo de corrente indicados coincidem com os valores da rede elétrica. Estas indicações constam da placa de características, fig 10.

### Aviso

O aparelho não deve, de forma alguma, ser ligado a uma tomada electrónica de poupança de energia.

Para utilização dos nossos aparelhos podem ser usados conversores de condução de rede e de condução sinusoidal. Conversores condutores de rede são utilizados em instalações fotovoltaicas, que são directamente ligadas à rede eléctrica pública. Em caso de soluções em forma de ilha (por ex. no caso de barcos ou de cabanas de montanha), que não dispõem de qualquer ligação à rede pública, devem ser utilizados conversores de condução sinusoidal.

## Familiarização com o aparelho



Favor desdobrar a última página com as ilustrações. Estas instruções de serviço aplicam-se a vários modelos.

O equipamento dos vários modelos pode variar.

São, por isso, possíveis diferenças nas imagens.

Fig. **1**

\* Não existente em todos os modelos.

- 1-4 Elementos de comando
- 5 Tampa da gaveta de congelação
- 6 Gaveta de congelados (pequena)
- 7 Grelha de congelação
- 8 Gaveta de congelados (grande)
- 9 Escoamento da água da descongelação
- 10 Pés de enroscar
- 11\* Acumulador de frio \*
- 12\* Calendário de congelação
- 13 Ventilação da porta

## Elementos de comando

Fig. **2**

- 1 **Tecla ligar/desligar**  
Serve para ligar e desligar todo o aparelho.
- 2 **Indicação de temperatura**  
Indica a temperatura regulada na zona de congelação.
- 3 **Indicação supercongelação**  
Ela só fica iluminada, se a supercongelação estiver a funcionar.
- 4 **Tecla de regulação de temperatura**  
Com esta tecla, é regulada a temperatura pretendida.

## Ligar o aparelho

Figura **2**

Ligar o aparelho com a tecla Ligar/Desligar 1.

A indicação de temperatura 2 está a piscar.

Se a zona de congelação tiver atingido a temperatura regulada, a indicação de temperatura 2 deixa de piscar.

De fábrica, recomendamos uma regulação de  $-18\text{ }^{\circ}\text{C}$  para a zona de congelação.

## Indicações sobre funcionamento

- Depois do aparelho ligado, pode demorar horas até que as temperaturas reguladas sejam atingidas.  
Antes disso, não colocar qualquer alimento dentro do aparelho.
- As áreas frontais do exterior do aparelho ficam parcial e ligeiramente aquecidas, o que impede a formação de condensação na zona do vedante da porta.
- Se não conseguir abrir a porta da zona de congelação, imediatamente após a ter fechado, deverá aguardar um momento até que seja compensado o vácuo formado entretanto.

---

## Regular a temperatura

Fig. 2

### Zona de congelação

A temperatura é regulável de -16 °C até -26 °C.

Premir a tecla de regulação de temperatura 4 tantas vezes até que fique regulada a temperatura pretendida para a zona de congelação.

O valor regulado em último lugar fica memorizado. A temperatura regulada é mostrada na indicação de temperatura 2.

---

## Funções de alarme

Fig. 2

### Alarme da porta

O alarme da porta (som contínuo) dispara, se a porta do aparelho estiver aberta por tempo superior a um minuto. La alarma acústica se desactiva cerrando la puerta.

### Alarme de temperatura

O alarme de temperatura dispara, quando a temperatura está demasiado alta na zona de congelação e os alimentos correrem em perigo.

A indicação de temperatura, Fig. 2/2, está a piscar.

O alarme pode disparar sem perigo para os alimentos:

- na colocação do aparelho em funcionamento,
- quando se coloca grande quantidade de alimentos frescos,
- no caso de porta da zona de congelação aberta durante demasiado tempo.

### Indicação

Não voltar a congelar alimentos descongelados ou que iniciaram a descongelação. Só depois de cozinhados, é que estes alimentos podem voltar a ser congelados.

Não utilizar mais o prazo máximo de conservação.

### Desligar alarme

Figura 2

Premir a tecla de regulação de temperatura 4, para desligar o aviso sonoro.

---

## Capacidade útil

As indicações sobre capacidade útil estão indicadas na placa de características do seu aparelho. Fig. **10**

### Aproveitar totalmente a capacidade de congelação

Para se arrumar a quantidade máxima de alimentos congelados, podem ser retirados todos os elementos do equipamento dispensáveis. Os alimentos podem, então, ser colocados directamente sobre as prateleiras e empilhados sobre a base da zona de congelação.

### Retirar os elementos de equipamento

- Puxar todas as gavetas de congelados até prender, elevar à frente e retirar. Fig. **5**
- Frente basculante da gaveta de congelação Fig. **7**
  1. Abrir até meio a frente basculante da gaveta de congelação,
  2. soltar o dispositivo de fixação num lado do aparelho,
  3. puxar para fora a frente basculante da gaveta de congelação e retirar do dispositivo de fixação,
  4. soltar o dispositivo de fixação do outro lado do aparelho.

---

## Zona de congelação

### Utilização da zona de congelação

- Para a conservação de alimentos ultracongelados.
- Para produção de cubos de gelo.
- Para congelação de alimentos.

### Indicação

É importante verificar, se a porta da zona de congelação fica bem fechada. Com a porta aberta, os alimentos descongelam. O compartimento de congelação forma muito gelo. Além disso: Verifica-se um desperdício de energia, devido ao seu consumo elevado!

---

## Capacidade de congelação

Os dados sobre a capacidade máxima de congelação podem ser encontrados na chapa de características. Figura **10**

### Requerimentos para a capacidade de congelação

- Activar a supercongelação, antes da colocação dos produtos frescos (ver capítulo «Supercongelação»).
- Retirar elementos do equipamento. Empilhe os alimentos directamente sobre as prateleiras e na base da zona de congelação.



- Maior quantidade de alimentos deve, de preferência, ser congelada na gaveta superior. Aí, os alimentos serão congelados de forma especialmente rápida e, conseqüentemente, mais cuidadosa.

---

## Congelação e conservação

### Compra de alimentos ultracongelados

- A embalagem não deve estar danificada.
- Dar atenção à data de validade.
- A temperatura na arca congeladora da loja deve ser de -18 °C ou inferior.
- Se possível, transportar os alimentos ultracongelados num saco térmico e arrumá-los rapidamente na zona de congelação.

### Ao arrumar alimentos, ter atenção

- Maior quantidade de alimentos deve, de preferência, ser congelada na prateleira superior. Aí, os alimentos serão congelados de forma especialmente rápida e, conseqüentemente, mais cuidadosa.
- Colocar os alimentos com a sua maior superfície assente sobre as prateleiras ou nas gavetas de congelados.

### Indicação

Alimentos já congelados não devem entrar em contacto com os alimentos frescos, na fase de congelação. Se for necessário, transfira os alimentos já completamente congelados para as gavetas de congelados.

- Para assegurar a circulação de ar dentro do aparelho, introduzir bem as gavetas de congelados até encostarem.

---

## Congelação de alimentos frescos

Para congelação, deverá utilizar sempre alimentos frescos e em perfeito estado.

Para que o valor nutricional, o aroma e a cor se mantenham o melhor possível, os legumes devem ser branqueados, antes da sua congelação. No caso de beringelas, pimentos, courgetes e espargos não é necessário o branqueamento.

Nas livrarias poderá encontrar literatura sobre congelação e branqueamento.

### Indicação

Cuidado para que os alimentos a congelar não entrem em contactos com os alimentos já congelados.

- Alimentos adequados para congelação:  
Bolos, peixe e frutos do mar, carne, caça, aves, legumes, fruta, ervas aromáticas, ovos sem casca, lacticínios, como queijo, manteiga e requeijão, refeições prontas e restos de comida, como sopas, guisados, peixe e carne cozinhados, refeições com batata, soufflés e doces.

- Alimentos não adequados para congelação:  
Legumes habitualmente consumidos crus, como saladas de folha ou rabanetes, ovos com casca, uvas, maçãs inteiras, peras e pêssegos, ovos bem cozidos, iogurt, leite gordo, natas azedas, crême fraïche e maionese.

## Embalagem dos alimentos congelados

Embar os alimentos hermeticamente, para que não percam o sabor nem sequem.

1. Introduzir os alimentos na embalagem.
2. Expelir o ar para o exterior.
3. Fechar a embalagem hermeticamente.
4. Etiquetar a embalagem com o conteúdo e a data de congelação.

### Material adequado para embalagem:

Película de plástico, manga de polietileno, folha de alumínio, caixas próprias para congelação. Estes produtos podem ser encontrados no comércio especializado.

### Material não adequado para embalagem:

Papel de embrulho, papel de pergaminho, celofane, sacos do lixo e sacos de compras usados.

### Adequado para fechar:

Elásticos, clips de plástico, fios, fita adesiva resistente ao frio, entre outros.

Sacos e mangas de polietileno podem ser fechados com um aparelho de selagem de sacos.

## Prazo de validade dos alimentos congelados

O prazo de validade depende do tipo de alimentos.

Com uma temperatura de  $-18\text{ }^{\circ}\text{C}$ :

- Peixe, charcutaria, refeições prontas, bolos:  
até 6 meses
- Queijo, aves, carne:  
até 8 meses
- Legumes, fruta:  
até 12 meses

---

## Supercongelação

Os alimentos devem congelar até ao núcleo o mais rapidamente possível, para que conservem vitaminas, valores nutritivos, aspecto e sabor.

Ligue a supercongelação algumas horas antes de inserir os alimentos no aparelho, para evitar uma subida indesejada da temperatura.

Depois de ligado, o aparelho trabalha continuamente e na zona de congelação é atingida uma temperatura muito baixa.

Se tiver que ser utilizada a capacidade máxima de congelação, a supercongelação deve ser activada 24 horas antes da colocação dos produtos frescos.

Pequenas quantidades de alimentos (até 2 kg) podem ser congeladas, sem supercongelação.

### Indicação

Se a supercongelação estiver ligada, os ruídos de funcionamento podem ser mais elevados.

## Ligar e desligar

Fig. 2

Premir a tecla de regulação 4 de regulação de temperatura tantas vezes até que fique iluminada a indicação super 3.

A Supercongelação desliga automaticamente, após 2½ dias.

## Descongelação dos alimentos

Dependendo do tipo e da fim a que se destina o alimento, podem ser escolhidas as seguintes possibilidades:

- à temperatura ambiente
- no frigorífico
- no forno eléctrico, com/sem ventilação de ar quente
- no micro-ondas

### Atenção

Não voltar a congelar alimentos descongelados ou que iniciaram a descongelação. Só depois de cozinhados, é que estes alimentos podem voltar a ser congelados.

Não utilizar mais o prazo máximo de conservação dos alimentos.

## Equipamento

(não existente em todos os modelos)

### Gaveta de congelados (grande)

Fig. 1/8

Para guardar alimentos congelados de grande volume, por ex. perús, patos e gansos.

### Calendário de congelação

Fig. 6/A

Para evitar a redução da qualidade dos alimentos congelados, não ultrapasse o tempo de conservação. O prazo de conservação depende do tipo de alimentos. Os símbolos junto aos alimentos indicam, em meses, o prazo máximo de conservação permitido para os alimentos. Tenha em atenção a data de fabrico e de validade dos alimentos ultracongelados, adquiridos no comércio.

### Acumulador de frio

Figura 6/B

O acumulador de frio pode ser retirado para a manutenção temporária de frio de alimentos, por ex. numa mala térmica.

Em caso de falha de energia ou de avaria, o acumulador de frio retarda o aquecimento dos alimentos congelados guardados.

Para poupar espaço, o acumulador pode ser armazenado no compartimento da porta.

## Cuvete de gelo

Fig. 8

1. Encher a cuvette do gelo até  $\frac{3}{4}$  com água potável e colocá-la na zona de congelação.
2. Se a cuvette estiver agarrada, utilizar apenas um objecto rombo para a soltar (cabo de uma colher).
3. Para soltar os cubos de gelo, colocar a cuvette sob água corrente e trocê-la ligeiramente.

## Desligar e desactivar o aparelho

### Desligar aparelho

Fig. 2

Premir a tecla de Ligar/Desligar 1. A indicação de temperatura 2 apaga-se e a máquina de frio desliga-se.

### Desactivar o aparelho

Se o aparelho não for utilizado por um longo período de tempo:

1. Desligar o aparelho.
2. Desligar a ficha da tomada ou os fusíveis.
3. Limpar o aparelho.
4. Deixar a porta do aparelho aberta.

## Descongelação

### Indicação

Activar a supercongelação cerca de 4 horas antes da descongelação, para que os alimentos atinjam uma temperatura muito baixa e, assim, possam ficar à temperatura ambiente durante mais tempo.

### Procedimento:

1. Desligar o aparelho para descongelar.
2. Desligar a ficha da tomada ou os fusíveis.
3. Conservar as gavetas com os alimentos num local fresco. Colocar o acumulador de frio (se fizer parte do equipamento) sobre os alimentos.
4. Para recolher a água da descongelação, colocar uma bacia de pouca profundidade por baixo do escoamento da água da descongelação.
5. Abrir a saída da água da descongelação. Fig. 9
6. Para acelerar o processo de descongelação, colocar duas panelas de água quente dentro do aparelho e sobre uma base própria para panelas.
7. Terminada a descongelação, despejar a água recolhida. Com uma esponja, apanhar o resto da água da descongelação na base da zona de congelação.
8. Fechar a saída da água da descongelação.
9. Depois da descongelação, voltar a ligar e activar o aparelho.

## Limpeza do aparelho

### Atenção

- Não utilizar quaisquer produtos de limpeza e solventes com teor abrasivo, de cloro ou ácidos.
- Não utilizar esponjas abrasivas ou ásperas.  
Nas superfícies metálicas poderia formar-se corrosão.
- Não lavar prateleiras nem recipientes na máquina de lavar loiça.  
As peças podem ficar deformadas.

### Indicação

Cerca de 4 horas antes da limpeza, deverá ligar a supercongelação, para que os alimentos atinjam uma temperatura bastante baixa e possam, assim, ser conservados durante mais tempo à temperatura ambiente.

### Procedimento:

1. Antes da limpeza, desligar o aparelho.
2. Desligar a ficha da tomada ou os fusíveis!
3. Retirar os alimentos congelados e colocá-los em local frescos. Colocar o acumulador de frio (se fizer parte do equipamento) sobre os alimentos.
4. Limpar o aparelho com um pano macio, água morna e um produto de limpeza neutro.
5. Limpar o vedante da porta só com água limpa e depois secar bem.
6. Depois da limpeza: Ligar novamente o aparelho e colocá-lo em funcionamento.
7. Voltar a arrumar os alimentos congelados.

## Como poupar energia

- Instalar o aparelho em local seco e arejado! O aparelho não deve estar directamente sujeito à acção dos raios solares, nem próximo duma fonte de calor (por ex. radiadores, fogão).  
Se necessário, utilizar uma placa isoladora.
- Não tapar as aberturas de ventilação.
- Deixar arrefecer alimentos e bebidas, antes de os arrumar no aparelho.
- Para a descongelação, coloque os alimentos congelados na zona de refrigeração e aproveite o frio dos alimentos congelados para a refrigeração dos alimentos.
- Abrir a porta do aparelho o mínimo tempo possível.
- É importante verificar, se a porta da zona de congelação fica bem fechada.
- Para evitar um maior consumo de electricidade, limpar a parte traseira do aparelho de vez em quando.
- Se existente:  
Montar o distanciador em relação à parede, para atingir o consumo de energia indicado para o aparelho (ver instruções de montagem). Uma distância reduzida em relação à parede não limita o aparelho quanto ao seu funcionamento. O consumo de energia pode aumentar insignificante. A distância de 75 mm não deve ser ultrapassada.
- A disposição dos elementos do equipamento não tem influência sobre o consumo energético do aparelho.

# Ruídos de funcionamento

## Ruídos absolutamente normais

### **Zumbido**

Os motores trabalham (por ex. agregados de frio, ventilador).

### **Ruídos semelhantes a água a borbulhar ou sus surros**

O agente de refrigeração está a circular através dos tubos.

### **Cliques**

Motor, interruptor ou válvulas magnéticas ligam/desligam.

## Evitar ruídos

### **O aparelho está desnivelado**

Favor nivelar o aparelho com a ajuda de um nível de bolha dear. Utilizar, para isso, os pés de enroscar ou colocar qualquer coisa por baixo.

### **O aparelho está encostado**

Favor afastar o aparelho dos móveis ou aparelhos vizinhos.

### **Recipientes e prateleiras abanam ou estão presos**

Verificar as peças removíveis e voltar a colocá-las no lugar.

## Eliminação de pequenas anomalias

Antes de pedir a intervenção dos Serviços Técnicos:

Deverá verificar, se você mesmo não poderá eliminar a anomalia, com a ajuda das indicações seguintes.

O cliente terá sempre que suportar os custos do nosso técnico, mesmo durante o período de garantia!

Anomalia	Causa possível	Ajuda
A temperatura difere bastante da temperatura regulada.		<p>Para alguns casos, basta desligar o aparelho durante 5 minutos.</p> <p>Se a temperatura estiver demasiado alta, verificar após algumas horas, se houve uma aproximação em relação à temperatura regulada.</p> <p>Se a temperatura estiver demasiado baixa, voltar a verificar a temperatura no dia seguinte.</p>
Nenhuma indicação está iluminada.	Falha de energia; os fusíveis dispararam; a ficha não está bem ligada na tomada.	Ligar a ficha à tomada. Verificar, se há corrente na instalação doméstica, controlar o fusível.
A indicação de temperatura está a piscar. Figura <b>2</b> /2	<p>Anomalia - no compartimento de congelação está demasiado quente.</p> <p>Perigo para os alimentos congelados.</p> <p>As aberturas para ventilação estão tapadas.</p>	<p>Para parar o piscar da indicação de temperatura, premir a tecla de regulação de temperatura. Figura <b>2</b>/prima 4.</p> <p>A indicação de temperatura também deixa de piscar, se o compartimento de congelação estiver suficientemente frio.</p> <p>Verificar a ventilação.</p>
	Foram colocados demasiados alimentos de uma vez para congelar.	Não exceder a capacidade de congelação.
O aviso sonoro soa.	O aparelho está aberto.	Fechar o aparelho.
O aparelho não refrigera, a indicação de temperatura e a iluminação acendem.	O modo de exposição está ligado.	<p>Manter premida a tecla de regulação de temperatura Fig. <b>2</b>/4 durante 10 segundos, até se ouvir um som de confirmação.</p> <p>Passado algum tempo, verificar, se o aparelho está a refrigerar.</p>

---

## Auto-teste do aparelho

O seu aparelho dispõe de um programa de auto-teste automático que lhe indica fontes de anomalias, que só devem ser eliminadas pelos nossos Serviços Técnicos da sua zona.

### Iniciar o auto-teste do aparelho

1. Desligar o aparelho e aguardar 5 minutos.
2. Ligar o aparelho e, nos primeiros 10 segundos, manter premida a tecla de regulação de temperatura, Fig. 2/4, durante 3-5 segundos, até que, na indicação de temperatura fique iluminada a indicação de -26 °C.

O programa de auto-teste inicia-se, quando as indicações de temperatura se iluminam sucessivamente.

Quando o aparelho, passado pouco tempo, indicar a temperatura regulada antes do auto-teste, isso significa que tudo está correcto.

Se a indicação super piscar durante 10 segundos, isso significa que se trata de uma anomalia.

Deverá informar os Serviços Técnicos.

### Terminar o auto-teste do aparelho

Terminado o programa, o aparelho passa para o funcionamento regular.

---

## Serviço de Assistência Técnica

Na lista telefónica ou no índice de Postos de Assistência que acompanha o aparelho, encontrará o Posto de Assistência Técnica da sua zona de residência. Indique ao serviço de assistência técnica o número do produto (E-Nr.), o número de fabrico (FD) e o número de contagem (Z-Nr.) do aparelho.

Pode encontrar estas indicações na chapa de características. Fig. 10

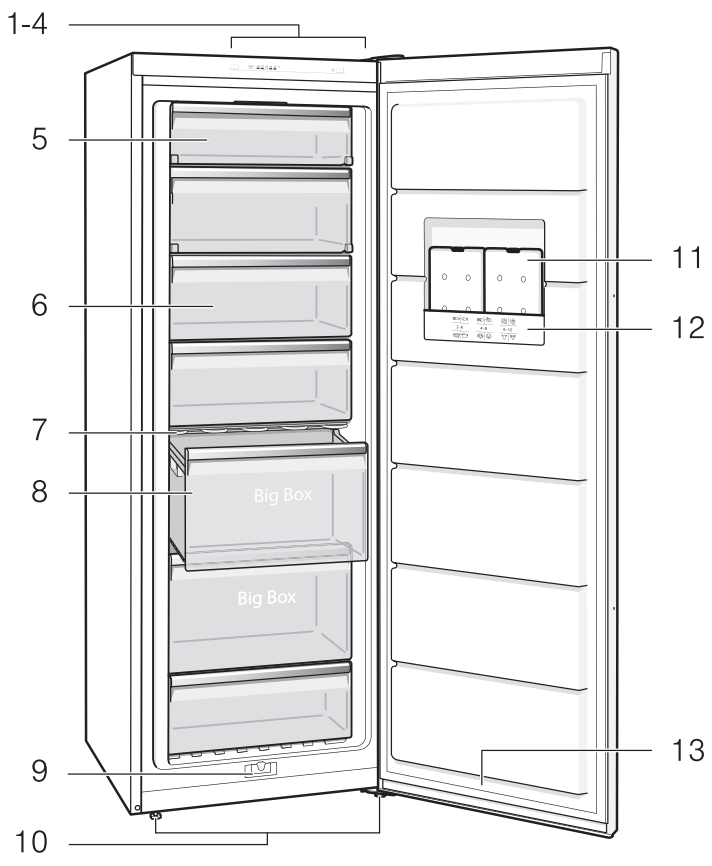
Estes ajudam a evitar deslocações desnecessárias e, conseqüentemente, custos adicionais.

### Ordem de reparação e apoio em caso de anomalias

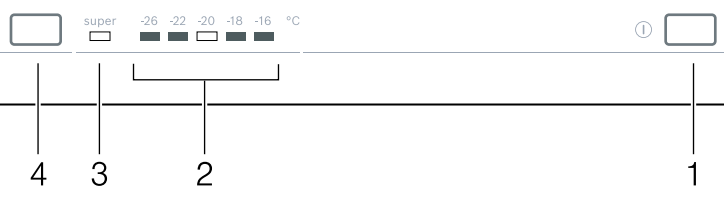
Os dados para contacto com todos os países encontram-se no índice dos Serviços Técnicos anexo.

PT 21 4250 730

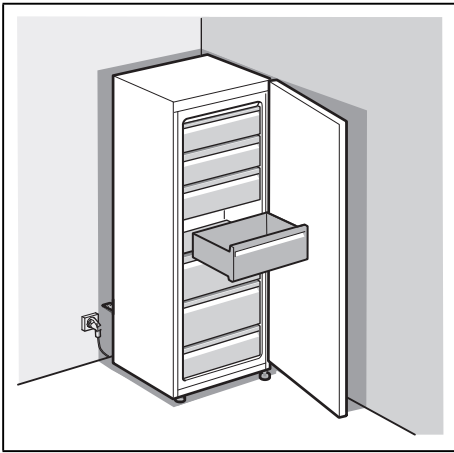




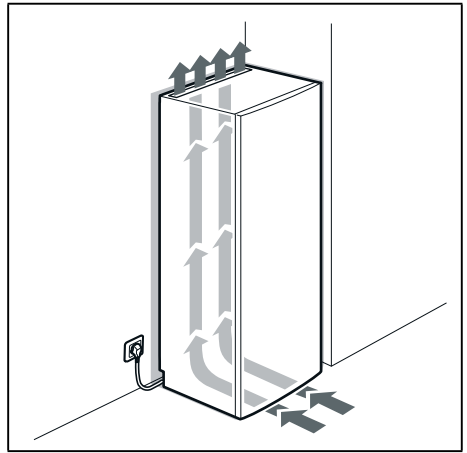
**1**



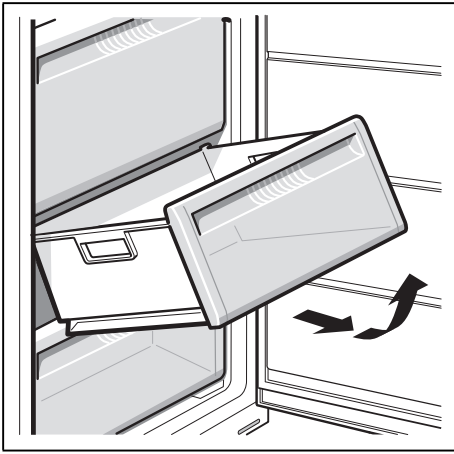
**2**



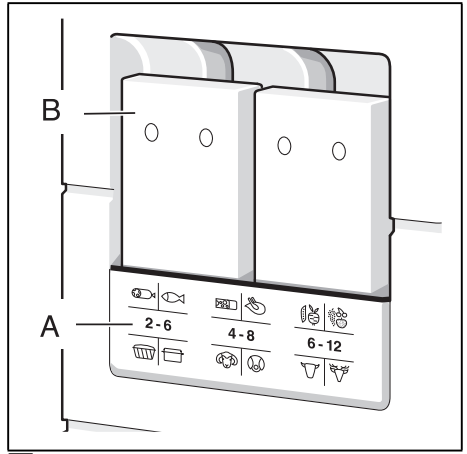
3



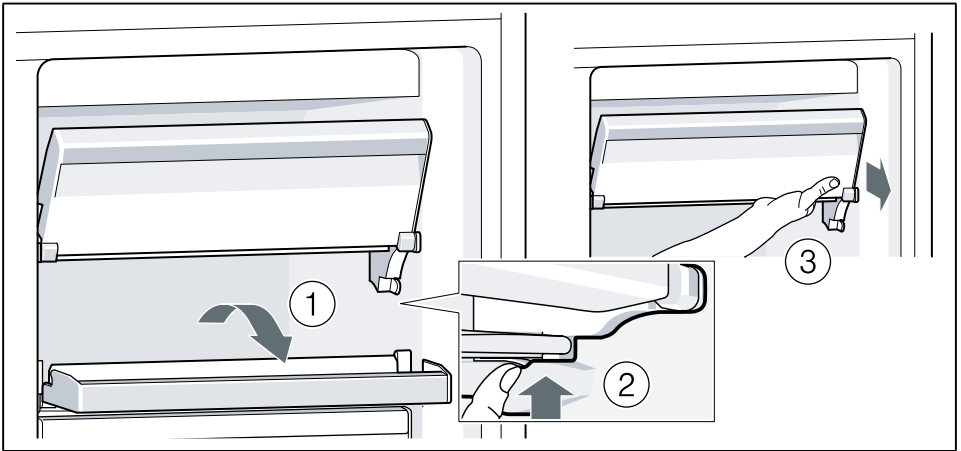
4



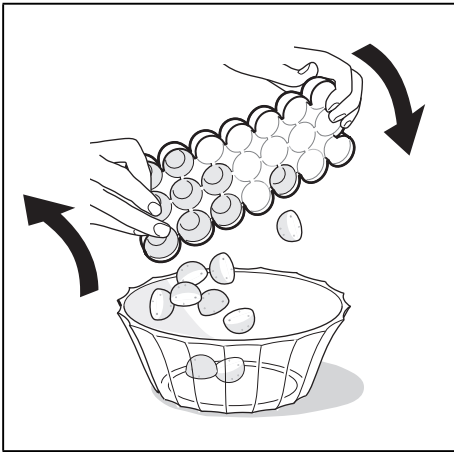
5



6



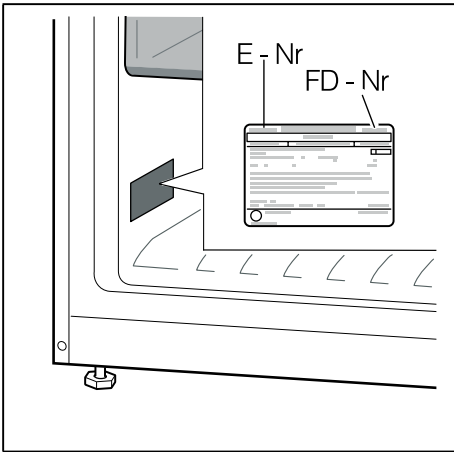
7



8



9



10



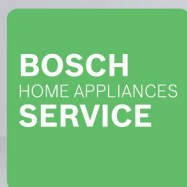
## Thank you for buying a Bosch Home Appliance!

Register your new device on MyBosch now and profit directly from:

- **Expert tips & tricks for your appliance**
- **Warranty extension options**
- **Discounts for accessories & spare-parts**
- **Digital manual and all appliance data at hand**
- **Easy access to Bosch Home Appliances Service**

Free and easy registration – also on mobile phones:

**[www.bosch-home.com/welcome](http://www.bosch-home.com/welcome)**



## Looking for help? You 'll find it here.

Expert advice for your Bosch home appliances, need help with problems or a repair from Bosch experts.

Find out everything about the many ways Bosch can support you:

**[www.bosch-home.com/service](http://www.bosch-home.com/service)**

**Contact data of all countries are listed in the attached service directory.**

### **Bosch Home Appliance Group**

P.O. Box 83 01 01

D-81701 Munich

Germany

**[www.bosch-home.com](http://www.bosch-home.com)**



**8001126276** (0004)

en, fr, pt