

SIEMENS



ME3500GB

[siemens-home.bsh-group.com/welcome](http://siemens-home.bsh-group.com/welcome)

en Instruction manual  
ar إرشادات الاستخدام

Register  
your  
product  
online

---

|           |         |    |
|-----------|---------|----|
| <b>en</b> | English | 3  |
| <b>ar</b> | العربية | 15 |

---

---

## Intended use

This appliance is intended for domestic use only.

The appliance is suitable for extracting the juice from fruit (e.g. apples, pears, pitted plums and cherries) and vegetables (e.g. tomatoes, carrots). It is not suitable for processing particularly hard, fibrous or starchy fruit and vegetables (e.g. sugar cane, bananas, papayas, avocados, figs, mangos).

Only use the appliance indoors at room temperature and up to 2000 m above sea level.

---

## Important safety information

Read and follow the instruction manual carefully and keep for later reference! Enclose these instructions when you give this appliance to someone else. If the instructions for correct use of the appliance are not observed, the manufacturer's liability for any resulting damage will be excluded.

This appliance can be used by persons with reduced physical, sensory or mental capabilities or lack of experience and/or knowledge if they have been given supervision or instruction concerning use of the appliance in a safe way and if they understand the hazards involved. Keep children away from the appliance and connecting cable and do not allow them to use the appliance. Do not let children play with the appliance. Cleaning and user maintenance must not be performed by children.

### Risk of electric shock and fire!

- Connect and operate the appliance only in accordance with the specifications on the rating plate. Do not use the appliance if the power cord and/or appliance are damaged. Only our customer service may repair the appliance, e.g. by replacing a damaged power cord, in order to avoid hazards.
- Never connect the appliance to timer switches or remote-controllable sockets. Never leave the appliance unattended while it is switched on!
- Do not place the appliance on or near hot surfaces, e.g. hobs. The power cord must not come into contact with hot parts or be pulled across sharp edges.
- Never immerse the base unit in liquids or hold under running water and do not clean in the dishwasher. Do not steam-clean the appliance. Do not use the appliance with damp hands.
- After each use, whenever the appliance is unsupervised, prior to assembly, prior to disassembly, prior to cleaning and in the event of an error, the appliance must always be disconnected from the mains.

### **Risk of injury!**

- Before use, always check the entire appliance, in particular the filter and filter tray, for damage (cracks, flaws). Do not use the appliance if the filter or the lid is damaged or if there are visible cracks.
- Before replacing accessories or additional parts which move during operation, the appliance must be switched off and disconnected from the power supply. After switching off, the drive continues for a short time. Wait until the drive has come to a standstill.
- Only operate the appliance in its fully assembled state. Be careful when closing the catch, otherwise you may trap your fingers.
- The appliance is intended to be used by one person.
- Do not place fingers in the filling shaft. Use the supplied pusher only!
- Care should be taken when handling the shredding blades, emptying the container and during cleaning. Do not touch shredding blades on the base of the filter. First clean the filter with the brush, then rinse under running water or wash in the dishwasher.

### **Risk of suffocation!**

Do not allow children to play with packaging material.

### **Caution!**

- We recommend that the appliance is never switched on for longer than is necessary to process the ingredients. Do not operate at no-load.
- Use only the rotary switch to switch the appliance on or off.

### **Important!**

- Process ripe and unfrozen fruit and vegetables only. Fruit and vegetables which are not ripe will block the filter very quickly.
- Empty the pulp container before the pulp reaches the edge of the filter tray.
- If the appliance vibrates during the juicing process, the filter is blocked or damaged. Switch off the appliance immediately. Check the filter. No longer use a damaged filter!
- It is essential to clean the appliance thoroughly after each use or after it has not been used for an extended period. → *“Cleaning and maintenance” see page 7*

**Congratulations on the purchase of your new Siemens appliance. You can find further information about our products on our website.**

---

## Contents

|                                   |   |
|-----------------------------------|---|
| Intended use.....                 | 3 |
| Important safety information..... | 3 |
| Overview.....                     | 5 |
| Start lock-out.....               | 5 |
| Operation.....                    | 5 |
| Cleaning and maintenance.....     | 7 |
| Recipes.....                      | 8 |
| Disposal.....                     | 9 |
| Guarantee.....                    | 9 |

---

## Overview

Please fold out the illustrated pages.

→ Fig. 

- 1 Motor unit (with cord store)**
- 2 Switch**  
  - 0/off** = Switch off appliance
  - 1** = Switch on appliance / low speed
  - 2** = Switch on appliance / high speed
- 3 Catch**
- 4 Pulp container**
- 5 Lock for the outlet (drip stop)**

### Important information

- When switching on the appliance, ensure that the lock is open (lock at the very front). When the lock is open, the juice flows into the juice jug.
  - Before emptying the juice jug, switch off the appliance (**0/off**) and close the lock (push backwards). This will stop more juice from running out and prevent soiling of the work surface.
- 6 Filter tray with outlet**
  - 7 Filter**
  - 8 Lid**
  - 9 Filling shaft**
  - 10 Pusher**
  - 11 Juice jug**
  - 12 Foam separator**
  - 13 Lid for juice jug**
  - 14 Cleaning brush**

---

## Start lock-out

The appliance cannot be switched on unless

- the filter tray and lid have been attached correctly and
- the catch has been locked and engaged correctly.

Before using the appliance, always check that the lid is locked!

---

## Operation

→ Fig. 

### Assembly

#### Risk of injury

- Do not use the appliance if the power cord and/or appliance are damaged.
- Before use, always check the entire appliance, in particular the filter and filter tray, for damage (cracks, flaws).
- Do not touch shredding blades / blades on the base of the filter.
  - Push lock (with the handle to the left) all the way onto the outlet and turn upwards by 90°. Ensure that the sealing ring is on the outlet!
  - Insert filter tray into the motor unit.
  - Insert filter and press down until it clicks into position. The filter must fit firmly on the drive! Check for damage beforehand!
  - Insert the pulp container into the motor unit.
  - Attach the lid.
  - Attach both catches to the lugs on the lid (1.) and press down until they click into position (2.).
  - Place juice jug with the spout under the outlet. Remove foam separator from the juice jug if you prefer juice with foam. Place lid on the juice jug to prevent splashes.
  - Insert pusher into the filling shaft. Pusher has a guide groove!

## Preparing fruit and vegetables

### Caution!

Process ripe and unfrozen fruit and vegetables only. Fruit and vegetables which are not ripe will block the filter very quickly.

- First, wash the fruit and vegetables.
- Remove stones from fruit. Remove large stalks.
- Chop up large fruit and vegetables so that they fit the filling shaft.
- Process only fresh fruit and vegetables because they are juicier.
- Peel fruit beforehand if it has thick and hard peel (e.g. pineapples, melons, oranges, grapefruits and raw beetroot). Remove the pith from citrus fruits!
- The consistency of apple juice depends on the kind of apple used. The juicier the apples, the thinner the juice. Add a few drops of lemon juice to the apple juice to delay the juice from turning brown.
- Leaves and stems (e.g. stalks from leaf salad) can also be processed in this juicer.
- If possible, drink juice immediately after preparation, as it loses its flavour and nutritional value quickly.
- Hard and starchy fruits and vegetables (e.g. sugar cane, bananas, papayas, avocados, figs and mangos) are not suitable for juicing in this appliance.

## Extracting juice

### Risk of injury

Do not place fingers in the filling shaft. Use the supplied pusher only!

- Place the assembled appliance on a smooth, clean worktop.
- Pull power cord to the required length out of the cord store.
- Plug the mains plug into the mains.
- To open, push the lock on the outlet forwards.
- Switch on the appliance.

- Setting **1** is particularly suitable for soft fruit / vegetables, e.g. watermelons, grapes, tomatoes, cucumbers and raspberries.
- Setting **2** is suitable for hard, firm fruit and vegetables, e.g. carrots.

Do not use the appliance for more than 10 minutes for all kinds of fruit and vegetables e.g. carrots, cucumbers, apples and pears. Then switch off appliance and leave to cool down.

- When the motor is running, put fruit / vegetables in the filling shaft.
- Only use the pusher when adding more ingredients. Never insert fingers into the filling shaft! Apply only light pressure to the pusher. This increases juice yield and protects the appliance.
- Switch off the appliance. Move the switch to **0/off**. Do not switch off the appliance until all the juice has run out.

### Caution!

Before opening the appliance, wait until the motor has stopped.

### Important information

- Empty the pulp container before the pulp reaches the edge of the filter tray.
- If the appliance vibrates during the juicing process, the filter is blocked or damaged. Switch off the appliance immediately. Check the filter. No longer use a damaged filter!

## Emptying the pulp container and filter

### → Fig.

Empty the pulp container before the pulp reaches the edge of the filter tray. Switch off the appliance.

- Move the switch to **0/off**.
- To remove the pulp container, take hold of it with the recessed grip and swivel out. Before continuing to operate the appliance, re-insert the pulp container.

**Empty the filter if**

- the motor speed drops significantly,
- the juice becomes thick,
- the appliance begins to vibrate noticeably.

**Recommendation:** Empty the pulp container and filter at the same time.

**Important!**

If juice has run under the filter tray, immediately remove with a damp cloth.

**Dismantling****⚠ Risk of electric shock**

Before working on the appliance, pull out the mains plug.

**⚠ Risk of injury**

- Do not dismantle the appliance until the motor has stopped.
- Do not touch shredding blades / blades on the base of the filter.

**→ Fig. D**

- Switch off the appliance and pull out the mains plug.
- Wait until the motor stops (approx. 10-12 sec.).
- To close, push the lock on the outlet backwards.
- Remove the pusher and pulp container.
- Pull both lower catches outwards. Then lift the catches off the lugs on the lid.
- Remove the lid.
- Lift the filter tray with both hands and take out of the motor unit.
- Take the filter out of the filter tray.
- Turn lock to the left and pull off the outlet.

**Cleaning and maintenance****Important information**

The appliance requires no maintenance. Thorough cleaning protects the appliance from damage and keeps it functional.

**⚠ Risk of electric shock**

- Before working on the appliance, pull out the mains plug.
- Never immerse the base unit in liquids and do not clean in the dishwasher.

**⚠ Risk of injury**

- Do not touch shredding blades / blades on the base of the filter.
- Clean with a brush!

**Caution!**

Do not use abrasive cleaning agents. Surfaces may be damaged.

- First clean the filter with the brush, then rinse under running water or wash in the dishwasher.
- Wipe the motor unit with a damp cloth, if required use a little washing-up liquid. Dry the motor unit immediately.
- All other parts are dishwasher-safe.

Discolouration on plastic parts (e.g. caused by carrots, beetroot) can easily be removed with a few drops of vegetable oil. Put parts in the dishwasher (provided they are dishwasher-safe).

**Replacing the filter**

Replace the filter at the first signs of wear or damage in order to prevent any risk of breakage. If the appliance is used daily, the filter should be replaced after approx. 5 years.

**Important information**

A filter can be ordered from customer service (order no. 00648221).

## Recipes

### Melon and yoghurt smoothie

(For 4 beverages)

- 200 g natural yoghurt
- 2 pinches vanilla pulp
- 2 tbsp honey to taste
- 400 g watermelon fruit pulp, without skin and pips
- Mix the yoghurt with the vanilla pulp and honey until smooth and pour into a tall glass.
- Cut the melon into suitable pieces and juice.
- Pour onto the yoghurt and garnish with a piece of melon if required.

### Cucumber kefir drink

(For 4 beverages)

- 2 cucumbers
- 800 g kefir
- 200 g yoghurt
- 2 tsp olive oil
- 2 tbsp lemon juice
- 4 tbsp freshly chopped dill
- Sea salt
- Freshly ground pepper
- Wash the cucumbers, clean and cut off four strips with a peeler.
- Juice the rest of the cucumber.
- Then mix the juice with the kefir, yoghurt, oil and lemon juice.
- Then stir in the dill and season the drink with salt and pepper to taste.
- Thread the cucumber strips in a concertina shape onto wooden skewers. Pour the drink into glasses and place the cucumber skewers over the glasses.

### Pepper and vegetable smoothie

(For 4 beverages)

- 2 red peppers
- 8 fully ripe tomatoes
- 1 tsp ground paprika, sweet
- ½ tsp olive oil
- Salt
- Cayenne pepper
- 2 tsp lemon juice
- Szechuan pepper, to garnish
- Wash and halve the peppers, remove the seeds and white inner peel and cut into rough pieces.
- Wash the tomatoes, cut out the core and cut into pieces.
- Juice the tomatoes and peppers.
- Mix with the ground paprika and the olive oil and season with salt, cayenne pepper and lemon juice to taste.
- Pour into a cold glass and serve with a garnish of grated Szechuan pepper.

### Carrot cake

- 4 eggs
- 4 tbsp warm water
- 200 g sugar
- 100 g flour
- 500 g carrots
- Use only the leftover juiced carrots (200-300 g) – they can be found in the pulp container.
- 200 g ground hazelnuts
- 1 tsp baking powder
- Juice the carrots at the highest speed in approx. 5 seconds. (When processing larger quantities, leave the appliance to cool down to room temperature each time after emptying the pulp container.)
- Mix eggs, water and sugar for approx. 5 minutes. The mixture must have a frothy appearance.
- Slowly add flour, baking powder, hazelnuts and carrots. The pieces of carrot must not be too large.
- Put the dough into a tin (e.g. springform tin with a diameter of 260 mm) and bake at 180 °C for 30-35 minutes.



---

## Disposal



Dispose of packaging in an environmentally-friendly manner. This appliance is labelled in accordance with European Directive 2012/19/EU concerning used electrical and electronic appliances (waste electrical and electronic equipment – WEEE). The guideline determines the framework for the return and recycling of used appliances as applicable throughout the EU. Please ask your specialist retailer about current disposal facilities.

---

## Guarantee

The guarantee conditions for this appliance are as defined by our representative in the country in which it is sold. Details regarding these conditions can be obtained from the dealer from whom the appliance was purchased. The bill of sale or receipt must be produced when making any claim under the terms of this guarantee.

Changes reserved.

- أضف العجين في قالب (مثل قالب الكيك القابل للفتح ذو قطر 260 مم) وضعها في الفرن لمدة 30-35 دقيقة على درجة حرارة 180 درجة مئوية.

## التخلص من الجهاز

تخلص من عبوة الجهاز بأسلوب يدعم الحفاظ على البيئة. هذا الجهاز مطابق للمواصفة الأوروبية 19/2012/المجموعة الاقتصادية الأوروبية الخاصة بالأجهزة الكهربائية والإلكترونية القديمة

(waste electrical and electronic equipment - WEEE). وهذه المواصفة تحدد الإطار العام لقواعد تسري في جميع دول الاتحاد الأوروبي بخصوص استعادة الأجهزة القديمة وإعادة استغلالها. قومي باستشارة موزع عمك المحلي لمعرفة أحدث الانظمة المتبعة حالياً للتخلص من الاجهزة القديمة.

## شروط الضمان

يتم تحديد شروط الضمان لهذا الجهاز من قبل ممثنا في الدولة التي يتم فيها بيع الجهاز. يمكنك الحصول على تفاصيل هذه الشروط من قبل الموزع الذي اشتريت منه الجهاز. يرجى إحضار فاتورة أو إيصال الشراء في حال أصاب جهازك أي طارئ يغطيه الضمان.

نحتفظ بحقنا في إجراء أية تعديلات.

## سموثي الفلفل مع الخضار

(لعدد 4 مشروبات)

- ثمرتان من الفلفل الأحمر
- 8 طماطم ناضجة كاملاً
- ملعقة صغيرة من مسحوق الفلفل، محلى
- نصف ملعقة صغيرة زيت زيتون
- ملح
- فلفل أحمر
- ملعقتان صغيرتان من عصير ليمون
- فلفل سيشوان للتزيين
- اغسل ثمار الفلفل واقطعها نصفين، وانزع منها البذور والقشور الداخلية البيضاء، ثم قطعها إلى قطع كبيرة.
- اغسل الطماطم وانزع موضع الساق منها ثم قطعها.
- اعصر الطماطم وثمار الفلفل.
- اخلط المكونات مع مسحوق فلفل وزيت زيتون، ثم أضف حسب المذاق كلا من الملح والفلفل الأحمر وعصير الليمون.
- أضف الخليط في كوب بارد وزينه بفلفل السيشوان المطحون عند التقديم.

## كعكة الجزر

- 4 بيضات
- 4 ملاعق كبيرة ماء دافئ
- 200 جم سكر
- 100 جرام طحين
- 500 جم جزر
- هنا تُستخدم فقط رواسب عصير الجزر (300-200 جم) - حيث تكون موجودة في وعاء الثقل
- 200 جم بندق مطحون
- ملعقة صغيرة من خميرة البيكنج بودر
- اعصر الجزر على أعلى سرعة لمدة 5 ثوانٍ. (عند إعداد كميات كبيرة اترك الجهاز يبرد حتى درجة حرارة الغرفة بعد كل مرة تفرغ فيها وعاء النقل.)
- اخلط البيض والماء والسكر لمدة 5 دقائق تقريباً. يجب أن يبدو المزيج رغويًا.
- أضف إلى الخليط كلا من الطحين وخميرة البيكنج بودر والبندق والجزر ولكن ببطء. ينبغي ألا تكون قطع الجزر كبيرة.

## التنظيف والعناية

### تنبيه هام

الجهاز ليس في حاجة إلى صيانة. التنظيف الجيد يكفل مدة عمر تشغيل أطول ويحمي الجهاز من الأضرار.

### ⚠️ خطر الصعق الكهربائي

- قبل القيام بأية أعمال على الجهاز افصل القابس الكهربائي عن مصدر التيار.
- إياك أن تغمر الجهاز الأساسي في مادة سائلة ولا أن تنظفها في ماكينة غسل الأطباق.

### ⚠️ خطر حدوث إصابات

- لا تلمس شفرات البشر / الشفرات الموجودة بأرضية المصفاة.
- يجب استخدام فرشاة لإجراء التنظيف.

### تنبيه!

- يجب عدم استخدام أي مواد تنظيف حاكة أو خشنة. الأسطح الخارجية تكون معرضة للتلف.
- نظف المصفاة أولاً باستخدام الفرشاة، ثم اشطفها تحت الماء الجاري، أو نظفها في غسالة الأواني.
- اغسل وحدة المحرك على الرطب وعند اللزوم استخدم القليل من مادة الشطف. جفف وحدة المحرك فوراً.
- جميع الأجزاء الأخرى يمكن غسلها في غسالة الأواني.
- يمكن إزالة التغيرات اللونية (مثل الناتجة عن الجزر والبنجر الأحمر) بالأجزاء البلاستيكية بسهولة باستخدام زيت نباتي. ثم ضع الأجزاء في غسالة الأواني (مادامت صالحة لذلك).

### استبدال المصفاة

استبدل المصفاة بمجرد ظهور أول علامة على التآكل أو التلف، تجنباً لأي خطر انكسار. وعند الاستخدام اليومي ينبغي استبدال المصفاة بعد 5 سنوات تقريباً.

### تنبيه هام

يمكن الحصول على المصفاة لدى أحد مراكز خدمة العملاء التابعة لنا (رقم طلب المنتج 00648221).

## وصفات

### سموثي الزبادي بالبطيخ

(لعدد 4 مشروبات)

- 200 جم زبادي طبيعي
- نثران من لب الفانيليا
- معلقتان كبيرتان من العسل، حسب الذوق
- 400 جم من لب البطيخ، بدون قشر ولا بذور
- اخلط الزبادي مع لب الفانيليا والعسل تماماً وضع الخليط في كوب كبير.
- قطع البطيخ إلى قطع متساوية وقم بعصرها.
- صب العصير على الزبادي وزين الكوب بقطعة بطيخ حسب الذوق.

### مشروب الخيار مع الكفير

(لعدد 4 مشروبات)

- خيارتان
- 800 جم كفير
- 200 جم زبادي
- معلقتان صغيرتان زيت زيتون
- معلقتان كبيرتان من عصير ليمون
- 4 ملاعق كبيرة من الشبث الطازج المفروم
- ملح يودي
- فلفل أسود مطحون
- اغسل الخيار وامسحه واقطع أربع شرائح باستخدام مقشرة.
- قم بعصر باقي الخيار.
- ثم اخلط العصير مع الكفير والزبادي والزيت وعصير الليمون.
- ثم امزج الشبث وقلبه وأصف الملح والفلفل الأسود إلى المشروب.
- ثبت شرائح الخيار على أعواد الخشب حسب الرغبة. أصف المشروب في الأكواب وضع الأعواد المزودة بالخيار فوقه.

## استخلاص العصارة

### ⚠️ خطر حدوث إصابات

لا تدخل أصابعك في فتحة الملعق. فلا تستخدم سوى الكباس المرفق!

- ضع الجهاز بعد تجميعه على سطح عمل أملس ونظيف.
- اسحب سلك التوصيل الكهربائي من مخزن الكابل وأخرجه بالطول المطلوب.
- أدخل قابس الجهاز في المقبس.
- ادفع قفل الإغلاق الموجود على مجرى تدفق العصير إلى الأمام لكي يتم فتحه.
- شغل الجهاز.
- الدرجة 1 مناسبة تمامًا للفاكهة / الخضروات اللينة، مثل البطيخ والعنب والطماطم والخيار والتوت.
- الدرجة 2 مناسبة للفاكهة والخضروات الصلبة والجمادة مثل البطاطس.

## إفراغ وعاء الثفل والمصفاة

### ← الصورة C

أفرغ وعاء الثفل قبل وصول الثفل إلى حافة وعاء المصفاة. لفعل ذلك أوقف تشغيل الجهاز،

- انقل المفتاح إلى الوضع 0/off.
- عند إخراج وعاء الثفل أمسكه من التجويف المخصص لذلك واسحبه للخارج. قبل مواصلة العمل أعد تركيب وعاء الثفل.

### يجب إفراغ المصفاة عندما

- تنخفض سرعة المحرك بشدة،
- يصبح العصير أكثر كثافة،
- يبدأ الجهاز في الاهتزاز بوضوح.

**توصية:** أفرغ وعاء الثفل والمصفاة في الوقت ذاته.

### هام!

إذا تسرب العصير أسفل وعاء المصفاة، فامسحه سريعًا بقطعة قماش رطبة.

## تفكيك الجهاز

### ⚠️ خطر الصعق الكهربائي

قبل القيام بأية أعمال على الجهاز افصل القابس الكهربائي عن مصدر التيار.

### ⚠️ خطر حدوث إصابات

- لا تقم بتفكيك الجهاز إلا بعدما يتوقف المحرك.
- لا تلمس شفرات البشّر / الشفرات الموجودة بأرضية المصفاة.

### ← الصورة D

أوقف تشغيل الجهاز واسحب قابس الجهاز من مقبس الشبكة الكهربائية.

انتظر حتى يتوقف المحرك (حوالي

10-12 ثانية).

- ادفع قفل الإغلاق الموجود على مجرى تدفق العصير إلى الخلف لكي يتم إغلاقه.
- انزع الكباس ووعاء الثفل.
- اسحب ذراعي القفل للأسفل نحو الخارج. ثم ارفعهما من عروات الغطاء بالأعلى.
- اخلع الغطاء.
- ارفع وعاء المصفاة من وحدة المحرك باستخدام كلتا يديك.
- انزع المصفاة من وعائها.
- قم بإدارة قفل الإغلاق في اتجاه اليسار وقم بسحبه وإخراجه من مجرى تدفق العصير.

تبلغ مدة تشغيل الجهاز 10 دقائق لجميع أنواع الفاكهة والخضروات، مثل الجزر والخيار والتفاح والكمثرى. وبعدها أوقف الجهاز واتركه يبرد.

■ أدخل الفاكهة/الخضروات في فتحة الملعق أثناء تشغيل المحرك.

■ لإدخال مكونات لاحقًا يجب عدم استخدام أي شيء سوى الكباس. لا تدخل أصابعك أبدًا في فتحة الملعق. اضغط فقط برفق على الكباس. فهذا يزيد من إنتاج العصير ويحافظ على الجهاز.

■ أوقف تشغيل الجهاز. انقل المفتاح إلى الوضع 0/off. لا توقف الجهاز إلا بعدما يتوقف خروج العصير.

### تنبيه!

انتظر دائمًا حتى يتوقف المحرك قبل فتح الجهاز.

### تنبيهات هامة

- أفرغ وعاء الثفل قبل وصول الثفل إلى حافة وعاء المصفاة.
- اهتزاز الجهاز أثناء استخلاص العصير يشير إلى وجود انسداد أو ضرر بالمصفاة. قم على الفور بإيقاف تشغيل الجهاز. افحص المصفاة. لا تواصل استخدام المصفاة المتضررة.

- 6 وعاء المصفاة مع مجرى تدفق العصير
- 7 المصفاة
- 8 غطاء
- 9 فتحة ملء
- 10 كباس
- 11 وعاء العصير
- 12 حاجز الرغوة
- 13 غطاء وعاء العصير
- 14 فرشاة التنظيف
- علّق ذراعي القفل في عروتي الغطاء (1.) واضغطهما للأسفل حتى يستقرا بصوت مسموع (2.).
- ضع وعاء العصير مع جعل الفوهة أسفل مجرى تدفق العصير. أزل حاجز الرغوة من وعاء العصير إذا كنت تفضل العصير بالرغوة. ركب الغطاء على وعاء العصير لتجنب الرذاذ.
- أدخل الكباس في فتحة الملء. يحتوي الكباس على حز توجيهي.

## تحضير الفاكهة والخضروات

### تنبيه!

- لا تستخدم في إعداد الطعام سوى الفاكهة والخضروات الناضجة وغير المجمّدة. فالفاكهة والخضروات غير الناضجة تسد المصفاة بسرعة كبيرة.
- اغسل الخضروات والفواكه أولاً.
- أزل البذور من الفاكهة. أزل السيقان الكبيرة.
- قم بتقطيع الفاكهة والخضروات الكبيرة حتى يمكن تمريرها في فتحة الملء.
- لا تستخدم في إعداد الطعام سوى الفاكهة والخضروات الطازجة.
- قم بتقسير الفاكهة ذات القشرة السمكية والقاسية (مثل الأناناس والبطيخ والبرتقال والبنجر الأحمر) قبل عصرها. أزل القشرة البيضاء من فاكهة الموالح.
- تتعلق كثافة عصير التفاح بنوع التفاح المستخدم. فكلما كان التفاح يحتوي على عصير أكثر أصبحت كثافة العصير أخف. أضف بعض القطرات من عصير الليمون إلى عصير التفاح حتى توخر تغير لون العصير إلى البني.
- يمكن عصر الأوراق والسيقان (مثل جذوع الخس) في هذه العصاراة.
- احرص على شرب العصير بعد إعدادها فوراً قبل أن يفقد العصير مذاقه وقيمته الغذائية سريعاً.
- العصاراة غير مناسبة لعصر الفاكهة شديدة الصلابة أو كثيرة الألياف أو الغنية بالنشا (مثل قصب السكر والموز والباباي والأفوكادو والتين والمانجو).

## التأمين ضد التشغيل الخاطئ

لا يمكن تشغيل الجهاز إلا عندما

- يكون وعاء المصفاة والغطاء مركبين بطريقة صحيحة
- ويكون ذراع القفل مغلقاً ومثبتاً بطريقة صحيحة. تأكد من غلق الغطاء قبل أي استخدام.

## استخدام الجهاز

### ← الصورة 3

## التجميع

### ⚠ خطر حدوث إصابات

- كما يجري استخدام الجهاز فقط إذا لم تكن هناك أضراراً قد لحقت به أو بسلك التوصيل الكهربائي الخاص به.
- تحقق من خلو الجهاز بأكمله وبخاصة المصفاة ووعاء المصفاة من أي أضرار (شقوق، شروخ) وذلك قبل أي استخدام.
- لا تلمس شفرات البشر/الشفرات الموجودة بأرضية المصفاة.
- قم بدفع قفل الإغلاق (مع كون المقبض في اتجاه اليسار) على مجرى تدفق العصير حتى النهاية، وقم بإدارته لأعلى بمقدار 90 درجة. يجب التأكد من أن حلقة إحكام السد على مجرى تدفق العصير موجودة بالفعل!
- ركب وعاء المصفاة في وحدة المحرك.
- ركب المصفاة واضغط عليها للأسفل حتى تستقر بصوت مسموع. يجب أن تكون المصفاة مثبتة تمامًا على المحرك! تأكد قبل ذلك من عدم وجود أي أضرار.
- ركب وعاء الثقل في وحدة المحرك.
- ركب الغطاء.

- كن حريصًا عند التعامل مع شفرات البشر وعند إفراغ الوعاء وكذلك عند التنظيف. لا تلمس شفرات البشر الموجودة بأرضية المصفاة. نظف المصفاة أولاً باستخدام الفرشاة، ثم اشطفها تحت الماء الجاري، أو نظفها في غسالة الأواني.

### ⚠️ خطر الاختناق!

لا تدع الأطفال يلعبون بمواد التعبئة والتغليف للجهاز.

### ⚠️ تنبيه هام!

- يُنصح بعدم ترك الجهاز دائرًا لمدة أطول مما هو لازم لصنع المواد الغذائية. لا تقم بتشغيله دون وجود خليط.
- يجب عدم تشغيل وإيقاف تشغيل الجهاز إلا باستخدام المفتاح الدوار وحده دون غيره.

### ⚠️ هام!

- لا تستخدم في إعداد الطعام سوى الفاكهة والخضروات الناضجة وغير المجمدة. فالفاكهة والخضروات غير الناضجة تسد المصفاة بسرعة كبيرة.
- أفرغ وعاء الثقل قبل وصول الثقل إلى حافة وعاء المصفاة.
- اهتزاز الجهاز أثناء استخلاص العصير يشير إلى وجود انسداد أو ضرر بالمصفاة. قم على الفور بإيقاف تشغيل الجهاز. افحص المصفاة. لا تواصل استخدام المصفاة المتضررة.
- يجب تنظيف الجهاز جيدًا بعد كل استخدام له أو بعد طول فترة عدم الاستخدام. ← «التنظيف والعناية» انظر صفحة ar-5

## نظرة عامة

رجاء فرد الصفحة المحتوية على الصور.

### ← الصورة A

- 1 وحدة المحرك (مع مخزن كابل)
- 2 المفتاح

### 0/off إيقاف الجهاز

1 = تشغيل الجهاز / سرعة منخفضة

2 = تشغيل الجهاز / سرعة عالية

3 ذراع القفل

4 وعاء الثقل

5 قفل إغلاق لمجرى تدفق العصير (إيقاف تساقط القطرات)

### تنبيه هام

- عند تشغيل الجهاز يجب أن يكون القفل مفتوحًا (أن يكون القفل في المقدمة تمامًا). في حالة القفل المفتوح يتدفق العصير إلى وعاء العصير.
- عند إفراغ وعاء العصير أوقف الجهاز (0/off) وأغلق القفل (بالدفع نحو الخلف). وبذلك يُمنع استمرار خروج العصير ومن ثم يُتجنب اتساخ سطح العمل.

نتقدم لكم بأصدق التهاني على شرائكم لهذا الجهاز الجديد من ماركة **Siemens**. وتجدون المزيد من المعلومات حول منتجاتنا في موقع الإنترنت الخاص بنا.

## المحتويات

|      |                             |
|------|-----------------------------|
| ar-1 | الاستعمال المطابق للتعليمات |
| ar-1 | إرشادات الأمان المهمة       |
| ar-2 | نظرة عامة                   |
| ar-3 | التأمين ضد التشغيل الخاطئ   |
| ar-3 | استخدام الجهاز              |
| ar-5 | التنظيف والعناية            |
| ar-5 | وصفات                       |
| ar-6 | التخلص من الجهاز            |
| ar-6 | شروط الضمان                 |

## الاستعمال المطابق للتعليمات

هذا الجهاز مخصص للاستخدام المنزلي فقط.  
 الجهاز مناسب لعصر الفاكهة (مثل التفاح والكمثرى والبرقوق والكرز منزوع البذر) والخضروات (مثل الطماطم والجزر). وهو غير مناسب لعصر الفاكهة والخضروات شديدة الصلابة أو كثيرة الألياف أو الغنية بالنشا (مثل قصب السكر والموز والباباي والأفوكادو والتين والمانجو).  
 لا تستخدم الجهاز سوى في الأماكن الداخلية وفي درجة حرارة الغرفة، وعلى ارتفاع أقل من 2000 متر فوق مستوى سطح البحر.

## إرشادات الأمان المهمة

يُرَجَى قراءة هذه الإرشادات بعناية، والتصرف بناءً على ذلك ثم الحفاظ عليها! عند نقل الجهاز للغير يجب إرفاق هذا الدليل معه. عدم الالتزام بتطبيق التعليمات الخاصة بالاستخدام الصحيح للجهاز يترتب عليه عدم تحمل منتج الجهاز لأي مسؤولية عن الأضرار الناتجة من جراء ذلك. يُسمح باستخدام هذا الجهاز من قِبَل الأشخاص الذين يعانون من نقص في القدرات الجسدية أو الحسية أو العقلية أو الأشخاص الذين لديهم قصور في الخبرة أو المعرفة شريطة أن يتم مراقبتهم أو توجيههم إلى كيفية الاستخدام الآمن للجهاز مع التأكد من إدراكهم للأخطار المرتبطة بذلك. أما الأطفال فيجب إبعادهم عن الجهاز وعن توصيلاته الكهربائية، ولا يُسمح لهم بتشغيل الجهاز. لا يجوز للأطفال العبث بالجهاز. أعمال التنظيف وصيانة المستعمل لا يسمح بأن يقوم بها الأطفال.

### ⚠️ خطر الصعق الكهربائي وخطر الحريق!

- يجري توصيل وتشغيل الجهاز بالتيار الكهربائي فقط طبقاً للبيانات الموضحة على لوحة المواصفات الفنية. كما يجري استخدام الجهاز فقط إذا لم تكن هناك أضراراً قد لحقت به أو بسلك التوصيل الكهربائي الخاص به. لا يُسمح بإجراء إصلاحات على الجهاز، كاستبدال سلك التوصيل الكهربائي التالف، إلا من قِبَل مركز خدمة العملاء الخاص بنا، وذلك من أجل تجنب المخاطر.
- لا توصل الجهاز بالمفاتيح الكهربائية التلقائية أو بمقابس التحكم عن بُعد. احرص على مراقبة الجهاز دائماً أثناء تشغيله!
- لا تضع الجهاز على سطح ساخن أو بالقرب منه، مثل صفيحة الموقد. لا تجعل سلك التوصيل الكهربائي يتلامس مع أجزاء ساخنة ولا تسحبه على حواف حادة.
- يحظر مطلقاً غمر الجهاز الأساسي في سوائل، أو وضعه تحت ماء جاري، أو تنظيفه في غسالة الأواني. لا تستخدم جهاز التنظيف بالبخار. لا تستعمل الجهاز ويداً مبتلتان.
- يجب فصل الجهاز من مصدر الطاقة دوماً بعد كل استخدام، في حالة انعدام الإشراف، أو قبل التجميع، أو التفكيك، أو التنظيف، أو في حالة ظهور أخطاء على الجهاز.

### ⚠️ خطر حدوث إصابات!

- تحقق من خلو الجهاز بأكمله وبخاصة المصفاة ووعاء المصفاة من أي أضرار (شقوق، شروخ) وذلك قبل أي استخدام. ولا تستخدم الجهاز في حالة ظهور أضرار أو تشققات بالمصفاة أو الغطاء.
- قبل تغيير ملحقات تكميلية أو أجزاء إضافية يتم تحريكها أثناء التشغيل يلزم دائماً إيقاف تشغيل الجهاز وفصله عن شبكة التغذية بالتيار الكهربائي. بعد إيقاف تشغيل الجهاز فإن وحدة الإدارة تظل دائرة لبرهة قصيرة. يجب الانتظار حتى تكون وحدة الإدارة قد أصبحت في وضع السكون التام.
- لا تشغل الجهاز إلا وهو مجمّع. كن حذراً عند غلق ذراع القفل حتى لا تنحسر أصابعك.
- الجهاز مصمم للاستخدام من قبل الأشخاص.
- لا تدخل أصابعك في فتحة الملاء. فلا تستخدم سوى الكباس المرفق!

## Kundendienst – Customer Service

### DE Deutschland, Germany

BSH Hausgeräte Service GmbH  
Zentralwerkstatt für kleine Hausgeräte  
Trautskirchener Strasse 6-8  
90431 Nürnberg  
Online Auftragsstatus, Filterbeutel-  
Konfigurator und viele weitere Infos  
unter: [www.siemens-home.bsh-group.de](http://www.siemens-home.bsh-group.de)  
Reparaturservice, Ersatzteile &  
Zubehör, Produkt-Informationen:  
Tel.: 0911 70 440 044  
mailto:cp-servicecenter@bshg.com  
Wir sind an 365 Tagen rund um die Uhr  
erreichbar.

### AE United Arab Emirates, الإمارات العربية المتحدة

BSH Home Appliances FZE  
Round About 13, Plot Nr MO-0532A  
Jebel Ali Free Zone – Dubai  
Tel.: 04 881 4401  
mailto:service.uae@bshg.com  
[www.siemens-home.bsh-group.com/ae](http://www.siemens-home.bsh-group.com/ae)

### AL Republika e Shqipërisë, Albania

ELEKTRO-SERVIS sh.p.k  
Rr. Shkelqim Fusha, Selite,  
Pallati "Matrix Konstruktion", Kati 0 dhe +1  
1023 Tirane  
Tel.: 4 2278 130, -131  
Fax: 4 2278 130  
mailto:info@elektro-servis.com

### EXPERT SERVIS

Rruga e Kavajës,  
Kulla B Nr 223/1 Kati I  
1023 Tirane  
Tel.: 4 480 6061  
Tel.: 4 227 4941  
Fax: 4 227 0448  
Cel: +355 069 60 45555  
mailto:info@expert-servis.al

### AT Österreich, Austria

BSH Hausgeräte Gesellschaft mBH  
Werkskundendienst für Hausgeräte  
Quellenstrasse 2a  
1100 Wien  
Online Reparaturannahme,  
Ersatzteile und Zubehör und viele  
weitere Infos unter:  
[www.siemens-home.bsh-group.at](http://www.siemens-home.bsh-group.at)  
Reparaturservice, Ersatzteile & Zubehör,  
Produktinformationen  
Tel.: 0810 550 522  
mailto:vie-stoerungsannahme@bshg.com  
Wir sind an 365 Tagen rund um die Uhr für  
Sie erreichbar.

### AU Australia

BSH Home Appliances Pty. Ltd.  
Gate 1, 1555 Centre Road  
Clayton, Victoria 3168  
Tel.: 1300 167 425\*  
Fax: 1300 306 818  
mailto:aftersales.au@bshg.com  
[www.siemens-home.bsh-group.com/au](http://www.siemens-home.bsh-group.com/au)  
\*Mo-Fr: 24 hours

### BA Bosnia-Herzegovina, Bosna i Hercegovina

"HIGH" d.o.o.  
Gradačaka 29b  
71000 Sarajevo  
Tel.: 061 10 09 05  
Fax: 033 21 35 13  
mailto:bosch\_siemens\_sarajevo@  
yahoo.com

### BE Belgique, België, Belgium

BSH Home Appliances S.A. – N.V.  
Avenue du Laerbeek 74  
Laarbeeklaan 74  
1090 Bruxelles – Brussel  
Tel.: 02 475 70 02  
mailto:bru-repairs@bshg.com  
[www.siemens-home.bsh-group.com/be](http://www.siemens-home.bsh-group.com/be)

### BG Bulgaria

BSH Domakinski Uredi Bulgaria EOOD  
115K Tsarigradsko Chausse Blvd.  
European Trade Center Building, 5th floor  
1784 Sofia  
Tel.: 0700 208 18  
Fax: 02 878 79 72  
mailto:informacia.servis-bg@bshg.com  
[www.siemens-home.bsh-group.com/bg](http://www.siemens-home.bsh-group.com/bg)

### BH Bahrain, مملكة البحرين

Khalifa Est.  
P.O. Box 5111  
Manama  
Tel.: 01 7400 553  
mailto:service@khalifaifat.com

### BY Belarus, Беларусь

ООО "БСХ Бытовая техника"  
tel.: 495 737 2962  
mailto:mok-kdhl@bshg.com

### CH Schweiz, Suisse, Svizzera, Switzerland

BSH Hausgeräte AG  
Siemens Hausgeräte Service  
Fahrweidstrasse 80  
8954 Geroldswil  
Reparaturservice, Ersatzteile & Zubehör,  
Produktinformationen Tel.: 0848 888 500  
Service Fax: 0848 840 041  
mailto:ch-reparatur@bshg.com  
Ersatzteile & Zubehör  
Fax: 0848 880 081  
mailto:ch-ersatzteil@bshg.com  
[www.siemens-home.bsh-group.com/ch](http://www.siemens-home.bsh-group.com/ch)

### CY Cyprus, Κύπρος

BSH Ikiakes Syskeves-Service  
39, Arh. Makaanou III Str.  
2407 Egomi/Nikosia (Lefkosia)  
Tel.: 77 77 8007  
Fax: 022 65 81 28  
mailto:bsh.service.cyprus@cytanet.com.cy

### CZ Česká Republika, Czech Republic

BSH domácí spotřebiče s.r.o.  
Firemní servis domácích spotřebičů  
Radlická 350/107c  
158 00 Praha 5  
Tel.: 0251 095 546  
[www.siemens-home.bsh-group.com/cz](http://www.siemens-home.bsh-group.com/cz)

### DK Danmark, Denmark

BSH Hvidevarer A/S  
Telegrafvej 4  
2750 Ballerup  
Tel.: 44 89 89 85  
Fax: 44 89 89 86  
mailto:BSH-Service-DK@BSHG.com  
[www.siemens-home.bsh-group.com/dk](http://www.siemens-home.bsh-group.com/dk)

### EE Eesti, Estonia

SIMSON OÜ  
Türi tn.5  
11313 Tallinn  
Tel.: 0627 8730  
Fax: 0627 8733  
mailto:serviceenet@servicenet.ee  
[www.simson.ee](http://www.simson.ee)

### Renerki Kaubanduse OÜ

Tammasaare tee 134B  
(Euronicsi kaupluses)  
12918 Tallinn  
Tel.: 0651 2222  
Tel.: 0516 7171  
mailto:Klienditeenindus@renerk.ee  
[www.renerk.ee](http://www.renerk.ee)

### Eliser OÜ

Mustamäe tee 24  
10621 Tallinn  
Tel.: 0665 0090  
mailto:hooldus@eliser.ee  
[www.kodumasinatate-remont.ee](http://www.kodumasinatate-remont.ee)

### ES España, Spain

BSH Electrodomésticos España S. A.  
Servicio Oficial del Fabricante  
Parque Empresarial PLAZA,  
C/ Manfredonia, 6  
50197 Zaragoza  
Tel.: 902 118 821 o 976 305 714  
Fax: 976 578 425  
mailto:CAU-Siemens@bshg.com  
[www.siemens-home.bsh-group.es](http://www.siemens-home.bsh-group.es)



**FI Suomi, Finland**

BSH Kodinkoneet Oy  
Itälahdenkatu 18 A, PL 123  
00201 Helsinki  
Tel.: 0207 510 700  
Fax: 0207 510 780  
mailto:Siemens-Service-FI@bshg.com  
www.siemens-home.bsh-group.com/fin  
Lankapuhelimesta 8,28 snt/puhelu  
+ 7 snt/min (alv 24%)  
Matkapuhelimesta 8,28 snt/puhelu  
+ 17 snt/min (alv 24%)

**FR France**

BSH Electroménager S.A.S.  
50 rue Ardoin – CS 50037  
93406 SAINT-OUEN cedex  
Service interventions à domicile:  
01 40 10 12 00  
Service Consommateurs:  
0 892 698 110   
mailto:soa-siemens-conso@bshg.com  
Service Pièces Détachées et  
Accessoires:  
0 892 698 009   
mailto:soa-siemens-conso@bshg.com  
www.siemens-home.bsh-group.fr

**GB Great Britain**

BSH Home Appliances Ltd.  
Grand Union House  
Old Wolverton Road  
Wolverton  
Milton Keynes MK12 5PT  
To arrange an engineer visit, to order  
spare parts and accessories or for  
product advice please visit  
www.siemens-home.bsh-group.uk  
or call Tel.: 0344 892 8999\*  
\*Calls are charged at the basic rate, please  
check with your telephone service provider for  
exact charges

**GR Greece, Ελλάδα**

BSH Ikiakes Siskevas A.B.E.  
Central Branch Service  
17 km E.O. Athinon-Lamias & Potamou 20  
14564 Kifisia  
Τηλέφωνο: 210 4277701  
Τηλέφωνο: 181 82  
mailto:nkf-CustomerService@bshg.com  
www.siemens-home.bsh-group.com/gr

**HK Hong Kong, 香港**

BSH Home Appliances Limited  
Unit 1 & 2, 3rd Floor, North Block,  
Skyway House, 3 Sham Mong Road  
Tai Kok Tsui, Kowloon, Hong Kong  
Tel.: 2565 6151  
Fax: 2565 6681  
mailto:siemens.hk.service@bshg.com  
www.siemens-home.bsh-group.com/hk

**HR Hrvatska, Croatia**

BSH kućni uređaji d.o.o.  
Kneza Branimira 22  
10000 Zagreb  
Tel.: 01 552 09 99  
Fax: 01 640 36 03  
mailto:informacije.servis-hr@bshg.com  
www.siemens-home.bsh-group.com/hr

**HU Magyarország, Hungary**

BSH Háztartási Készülék  
Kereskedelm Kft.  
Árpád fejedelem útja 26-28  
1023 Budapest  
Call Center: +36 80-200-201  
mailto: BSH-szerviz@bshg.com  
www.siemens-home.bsh-group.com/hu

**IE Republic of Ireland**

BSH Home Appliances Ltd.  
Unit F4, Ballymount Drive  
Ballymount Industrial Estate  
Walkinstown  
Dublin 12  
Service Requests, Spares and  
Accessories  
Tel.: 01450 2655\*  
Fax: 01450 2520  
www.siemens-home.bsh-group.ie  
\*0.03 € per minute at peak.  
Off peak 0.0088 € per minute.

**IL Israel, ישראל**

C/S/B/ Home Appliance Ltd.  
1, Hamasger St.  
North Industrial Park  
Lod, 7129801  
Tel.: 08 9777 222  
Fax: 08 9777 245  
mailto:csb-serv@csb-ltd.co.il  
www.siemens-home.bsh-group.com/il

**IN India, Bhārat, भारत**

BSH Household Appliances Mfg. Pvt. Ltd.  
Arena House,  
Main Bldg, 2nd Floor,  
Plot No. 103,  
Road No. 12,  
MDC, Andheri East  
Mumbai 400 093  
Toll Free 1800 209 1850\*  
www.siemens-home.bsh-group.com/in  
\* Mo-Sa: 8.00 am to 8.00 pm  
(exclude public holidays)

**IS Iceland**

Smith & Norland hf.  
Noatuni 4  
105 Reykjavik  
Tel.: 0520 3000  
Fax: 0520 3011  
www.sminor.is

**IT Italia, Italy**

BSH Elettrodomestici S.p.A.  
Via. M. Nizzoli 1  
20147 Milano (MI)  
Numero verde 800 018 346  
mailto:info.it@siemens-home.com  
www.siemens-home.bsh-group.com/it

**KZ Kazakhstan, Қазақстан**

IP Anackiy A.N. PTN-Service  
Kuysbi Dina str.23/1 N3  
Astana  
Tel.: 717 236 64 55  
mailto: ptnservice@mail.ru

Technodom Service  
Utegen Batira str.73  
480096 Almaty  
Tel.: 727 258 85 44  
mailto: lsr@technodom.kz  
www.technodom.kz

Kombitechnocentr  
Zhambyl st. 117  
480096 Almaty  
Tel.: 727 338 45 55  
mailto:cts\_pavel@bk.ru  
www.cts.kz

TOO Evrika Service  
Shimkent, Riskulova 22.  
Shimkent 160018  
Tel.: 727 252 44 63 75  
mailto:evrika\_kz@mail.ru  
www.evrika.com

**AV SERVICE**

Abulhair hana Str.51  
Uralsk 090000  
Tel.: 711 293 99 49  
mailto:oastafiev@avservice.kz  
www.avservice.kz

**LB Lebanon, لبنان**

Tehaco s.a.r.l  
Boulevard Dora 4043 Beyrouth  
P.O. Box 90449  
Jdeidet, 1202 2040  
Tel.: 01 255211  
mailto:Info@Teheni-Hana.com

**LT Lietuva, Lithuania**

Senuku prekybos centras UAB  
Jonavos g. 62  
44192 Kaunas  
Tel.: 037 212 146  
Fax: 037 212 165  
www.senukai.lt  
UAB "AG Service"  
R. Kalantos g. 32  
52494 Kaunas  
Tel.: 0700 556 55  
Fax: 0373 313 63  
mailto:services@agservice.lt  
www.agservice.lt

**Baltic Continent Ltd.**

Lukšio g. 23  
09132 Vilnius  
Tel.: 05 274 1788  
Fax: 05 274 1722  
mailto:info@balticcontinent.lt  
www.balticcontinent.lt

**LU Luxembourg**

BSH électroménagers S.A.  
13-15, ZI Breedeweues  
1259 Senningerberg  
Tel.: 26 349 821  
Fax: 26 349 315  
Reparaturen: lux-repair@bshg.com  
Ersatzteile: lux-spare@bshg.com  
www.siemens-home.bsh-group.com/lu

**LV Latvija, Latvia**  
SIA "General Serviss"  
Bulļu iela 70c  
1067 Rīga  
Tel.: 06742 52 32  
mailto:info@serviscentrs.lv  
www.serviscentrs.lv

Elkor Serviss  
Brīvības gatve 101  
1039 Rīga  
Tel.: 067 0705 20; -36  
Fax: 067 070 524  
mailto:info@elkorserviss.lv  
www.elkorserviss.lv

Sia Elektronika-Serviss  
Tadaiku iela 4  
1004 Rīga  
Tel.: 067 717 060  
Fax: 067 601 235  
mailto:serviss@elektronika.lv  
www.elektronika.lv

**MD Moldova**  
S.R.L. "Rialto-Studio"  
ул. Щуцева, 98  
2012 Кишинев  
тел./ факс: 022 23 81 80

**MK Macedonia, Македонија**  
GORENEC  
Jane Sandanski 69 lok. 3  
1000 Skopje  
Tel.: 022 454 600  
Mobil: 070 697 463  
mailto:gorenece@yahoo.com

**MT Malta**  
Aplan Limited  
The Atrium  
Mriehel by Pass  
BKR3000 Birkirkara  
Tel.: 025 495 122  
Fax: 021 480 598  
mailto:lapap@aplan.com.mt

**NL Nederlande, Netherlands**  
BSH Huishoudapparaten B.V.  
Taurusavenue 36  
2132 LS Hoofddorp  
Storingsmelding:  
Tel.: 088 424 4020  
Fax: 088 424 4845  
mailto:siemens-contactcenter@bshg.com  
Onderdelenverkoop:  
Tel.: 088 424 4020  
Fax: 088 424 4801  
mailto:siemens-onderdelen@bshg.com  
www.siemens-home.bsh-group.nl

**NO Norge, Norway**  
BSH Husholdningsapparater A/S  
Grensesvingen 9  
0661 Oslo  
Tel.: 022 66 05 73  
Fax: 022 66 05 55  
mailto:Siemens-Service-NO@bshg.com  
www.siemens-home.bsh-group.com/no

**NZ New Zealand**  
BSH Home Appliances Ltd.  
Unit F 2, 4 Orbit Drive  
Mairangi Bay  
Auckland 0632  
Tel.: 0800 245 700\*  
Fax: 0800 256 535  
mailto:repairaction.nz@bshg.com  
\* Mo-Fr: 8.30 am to 5.00 pm  
(exclude public holidays)

**PL Polska, Poland**  
BSH Sprzęt Gospodarstwa  
Domowego Sp. z o.o.  
Al. Jerozolimskie 183  
02-222 Warszawa  
Centrala Serwisu  
Tel.: 801 191 534  
Fax: 022 572 7709  
mailto:Serwis.Fabryczny@bshg.com  
www.siemens-home.bsh-group.pl

**PT Portugal**  
BSHP Electrodomésticos,  
Sociedade Unipessoal, Lda.  
Rua Alto do Montijo, nº 15  
2790-012 Carnaxide  
Tel.: 214 250 720  
Fax: 214 250 701  
mailto:siemens.electrodomesticos.pt@bshg.com  
www.siemens-home.bsh-group.com/pt

**RO România, Romania**  
BSH Electrocasnice srl.  
Sos. Bucuresti-Ploiesti, nr. 19-21, sect.1  
13682 Bucuresti  
Tel.: 021 203 9748  
Fax: 021 203 9733  
mailto:service.romania@bshg.com  
www.siemens-home.bsh-group.com/ro

**RU Russia, Россия**  
ООО "БСХ Бытовая техника"  
Сервис от производителя  
Малоя Калужская, 15  
119071 Москва  
тел.: 8 (800) 200 29 62  
mailto:mok-kdhl@bshg.com  
www.siemens-home.bsh-group.ru

**SE Sverige, Sweden**  
BSH Home Appliances AB  
Landsvägen 32  
169 29 Solna  
Tel.: 0771 11 22 77 local rate  
mailto:Siemens-Service-SE@bshg.com  
www.siemens-home.bsh-group.com/se

**SG Singapore, 新加坡**  
BSH Home Appliances Pte. Ltd.  
Block 4012, Ang Mo Kio Avenue 10  
#01-01 Techplace 1  
Singapore 569628  
Tel.: 6751 5000\*  
Fax: 6751 5005  
mailto:bshsgp.service@bshg.com  
\* Mo-Fr: 8.30am to 7.00pm, Sa: 8.30am to 5.30pm  
(exclude public holidays)

**SI Slovenija, Slovenia**  
BSH Hišni aparati d.o.o.  
Litostrojska 48  
1000 Ljubljana  
Tel.: 01 583 07 01  
Fax: 01 583 08 89  
mailto:informacije.servis@bshg.com  
www.siemens-home.bsh-group.com/si

**SK Slovensko, Slovakia**  
BSH domácí spotřebiče s.r.o.  
Firemní servis domácích spotřebičů  
Radlická 350/107c  
158 00 Praha 5  
Tel.: +421 244 452 041  
mailto:opravy@bshg.com

**TR Türkiye, Turkey**  
BSH Ev Aletleri Sanayi  
ve Ticaret A.Ş.  
Fatih Sultan Mehmet Mahallesi  
Balkan Caddesi No: 51  
34771 Ümraniye, İstanbul  
Tel.: 0 216 444 6688\*  
Fax: 0 216 528 9188\*  
mailto:careline.turkey@bshg.com  
www.siemens-home.bsh-group.com/tr  
\* Çağrı merkezini sabit hatlardan  
aramanın bedeli şehir içi ücretlendirime,  
Çep telefonlarından ise kullanılan  
tarifeye göre değişiklik göstermektedir

**UA Ukraine, Україна**  
ТОВ "БСХ Побутова Техніка"  
тел.: 044 490 2095  
mailto:bsh-service.ua@bshg.com  
www.siemens-home.bsh-group.com/ua

**XK Kosovo**  
SERVICE-GENERAL SH.P.K.  
Rruga Mag Prishtine-Ferizaj  
70000 Ferizaj  
Tel.: 0290 321 434  
Tel.: 0290 330 723  
mailto:a\_service@  
gama-electronics.com

**XS Srbija, Serbia**  
BSH Kućni aparati d.o.o.  
Milutina Milankovića br. 9ž  
11070 Novi Beograd  
Tel.: 011 353 70 09  
Fax: 011 205 23 89  
mailto:informacije.servis-sr@bshg.com  
www.siemens-home.bsh-group.com/rs

**ZA South Africa**  
BSH Home Appliances (Pty) Ltd.  
15th Road Randjespark  
Private Bag X36, Randjespark  
1685 Midrand – Johannesburg  
Tel.: 086 002 6724  
Fax: 086 617 1780  
mailto:applianceserviceza@bshg.com  
www.siemens-home.bsh-group.com/za



Manufactured by BSH Hausgeräte GmbH under Trademark License of Siemens AG

تم التصنيع بواسطة «الاسم القانوني لمجموعة بي إس إتش BSH Hausgeräte GmbH» ويحمل ترخيص العلامة التجارية سيمنز Siemens AG

BSH Hausgeräte GmbH  
Carl-Wery-Straße 34  
81739 München, GERMANY

**Reparaturauftrag und Beratung bei Störungen**

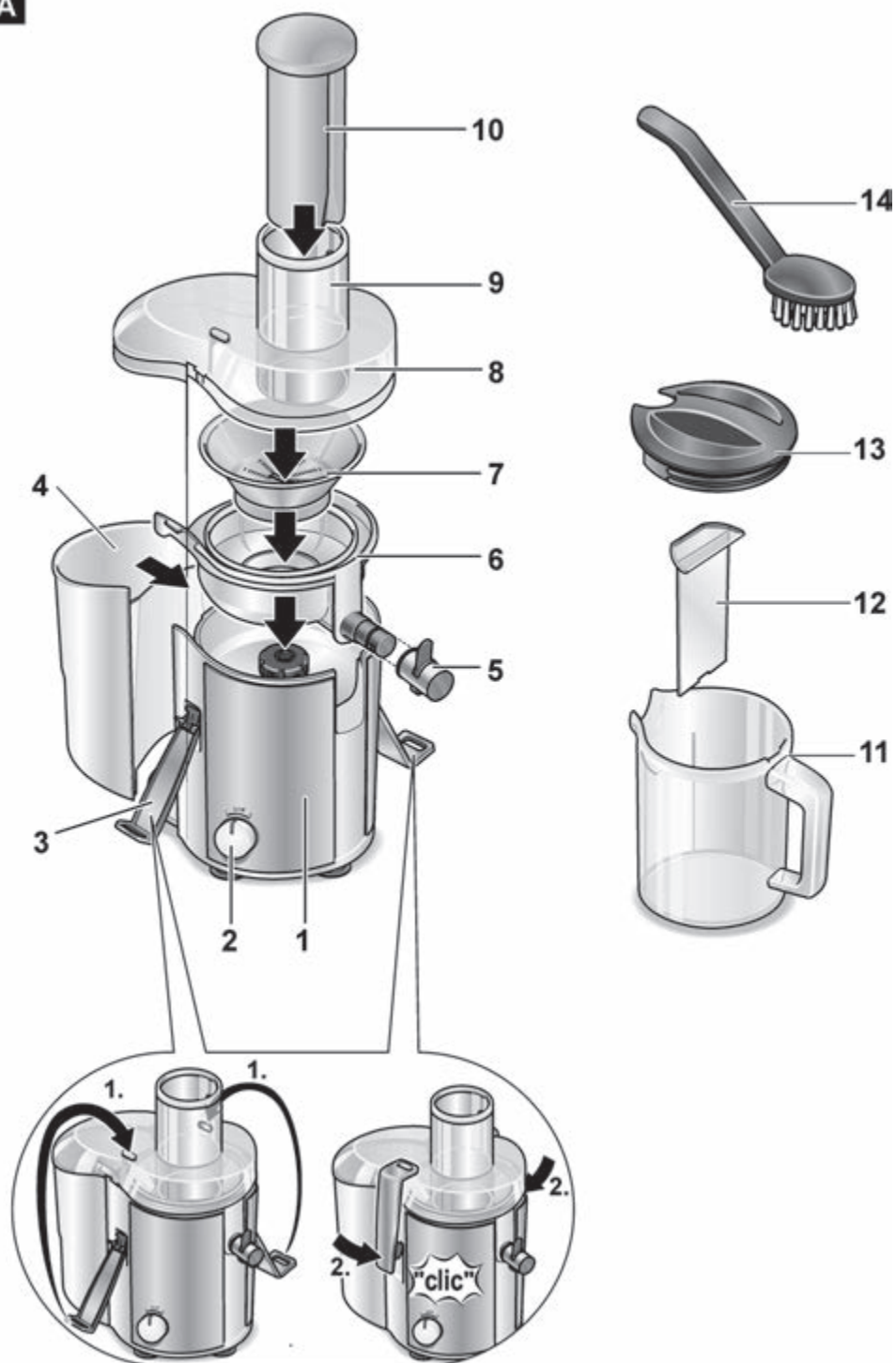
DE 0911 70 440 044  
AT 0810 550 522  
CH 0848 840 040

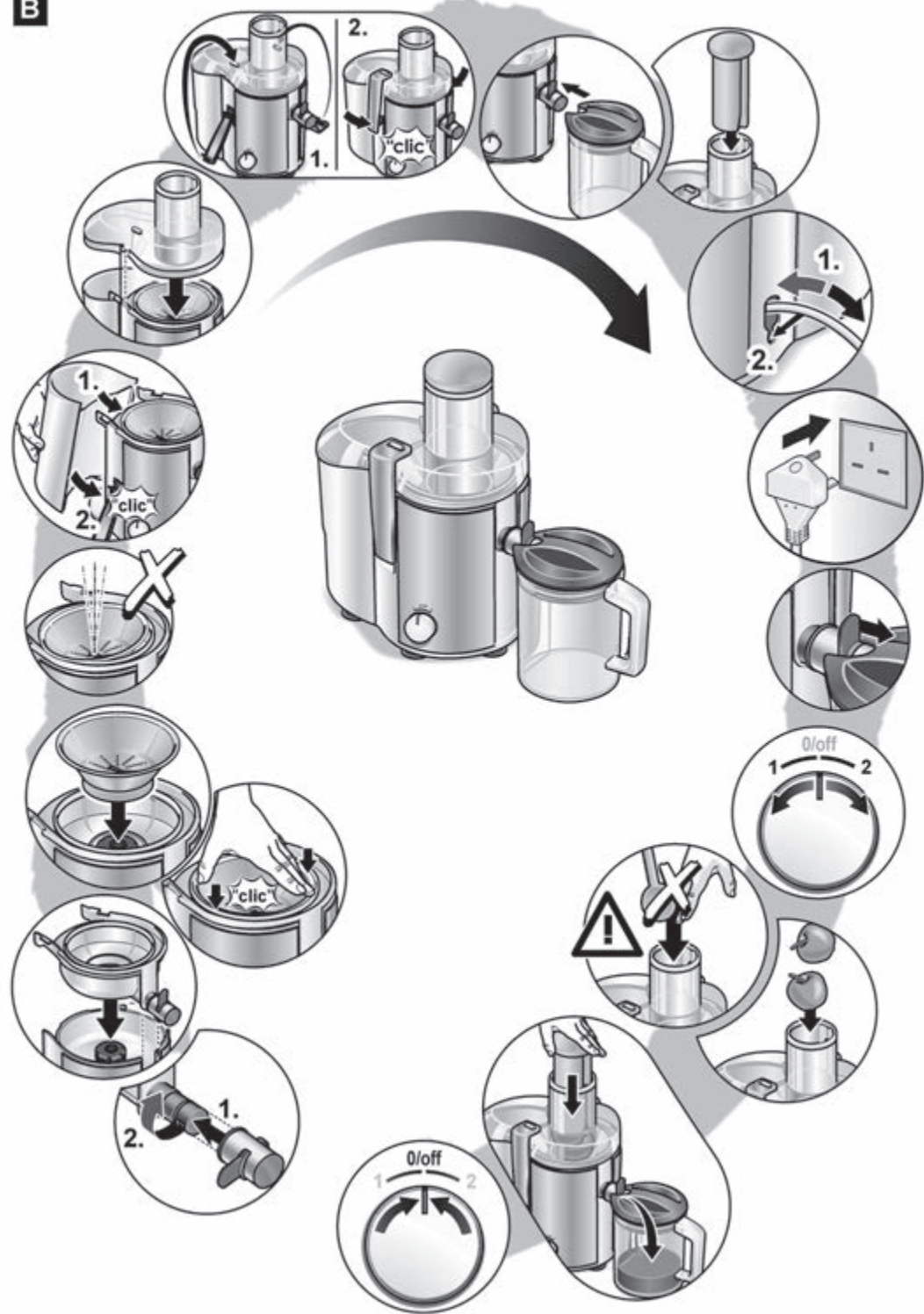
Die Kontaktdaten aller Länder finden Sie im  
beiliegenden Kundendienst-Verzeichnis.

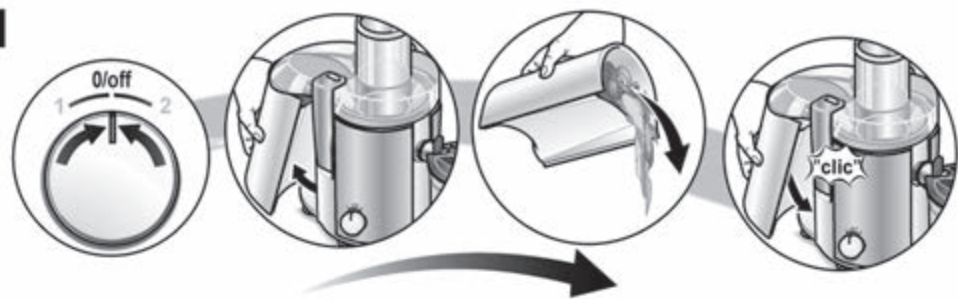
**[www.siemens-home.bsh-group.com](http://www.siemens-home.bsh-group.com)**



**8001095807**  
(9711)

**A**

**B**

**C****D**