

# INSTALLATION GUIDE

# GUIA DE INSTALACION

# GUIDE D'INSTALLATION

Model/Modelo/Modele

T24UR920DS

T24UR910DS

T24UR900DP

Double Drawer Refrigerator

Refrigerador de doble cajón

Réfrigérateur à double tiroir

***Thermador***<sup>®</sup>

**IMPORTANT:** Before you begin, read these instructions completely and carefully.

**INSTALLER:** Please leave this manual with owner for future reference.

**OWNER:** Save these installation instructions for local electrical inspector's use and for future reference.

## Table of Contents

<b>Important Safety Instructions .....</b>	<b>3</b>
- Inspect the Refrigerator	
<b>Tools needed for installation .....</b>	<b>4</b>
<b>Materials supplied .....</b>	<b>4</b>
<b>Installing the appliance .....</b>	<b>5</b>
- Transporting	
- General measures	
- Installation location	
- Installing side-by-side	
<b>Ventilation .....</b>	<b>9</b>
<b>Connecting the appliance .....</b>	<b>9</b>
- Electrical connections	
<b>Installing the anti-tip-bracket .....</b>	<b>11</b>
<b>Installing the overlay panel .....</b>	<b>15</b>
<b>Customer Service Information .....</b>	<b>17</b>

## Important Safety Instructions

READ AND SAVE THESE INSTRUCTIONS!

**These installation instructions are intended for use by qualified installers.**

**In addition to these instructions, the appliance shall be installed:**

- In the United States, in accordance with the National Electric Code/State and municipal codes and/or local codes.
- In Canada, in accordance with the Canadian Electric Code C22.1 –latest edition/Provincial and Municipal codes and/or local codes.

**Be sure to observe all listed warnings and cautions.**

Look for the triangles with exclamation marks inside.



**WARNING:**

This indicates that death or serious injury may result due to non-observance of this warning.



**CAUTION:**

This indicates that minor or moderately severe injury may result due to non-observance of this warning.

**NOTE:**

This is used to draw the user's attention to something in particular.

**State of California Proposition 65 Warnings:**



**WARNING**

This product can expose you to chemicals including vinyl chloride, which is known to the State of California to cause cancer and birth defects or other reproductive harm. For more information go to [www.P65Warnings.ca.gov](http://www.P65Warnings.ca.gov).

## Important

- **NEW INSTALLATION** – If the appliance is a new installation, most of the work must be done before the unit is moved into place.
- **REPLACEMENT** – If the appliance is replacing another appliance, the connections for the appliance being replaced **must be checked for compatibility** with the new unit and replaced as necessary.

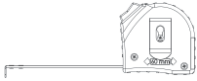
### Inspect the Refrigerator

Remove all tape, packaging and plastic covers.

After unpacking the appliance and prior to installation, thoroughly inspect the Refrigerator for possible freight or cosmetic damage. Report any damage immediately.

**NOTE:** Please do not discard any bags or items that come with the original package until after the entire installation has been completed!

## Tools needed for installation



Tape Measure



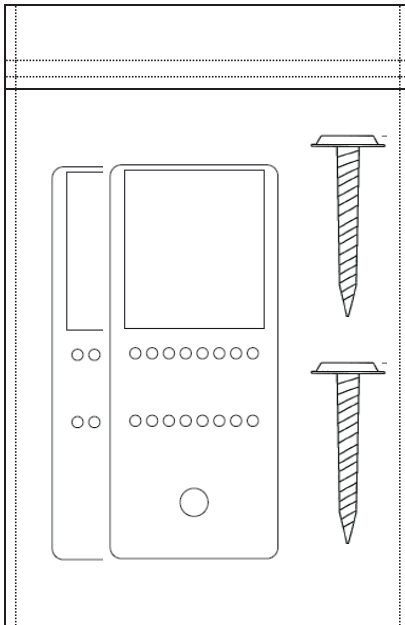
Philips Screwdriver



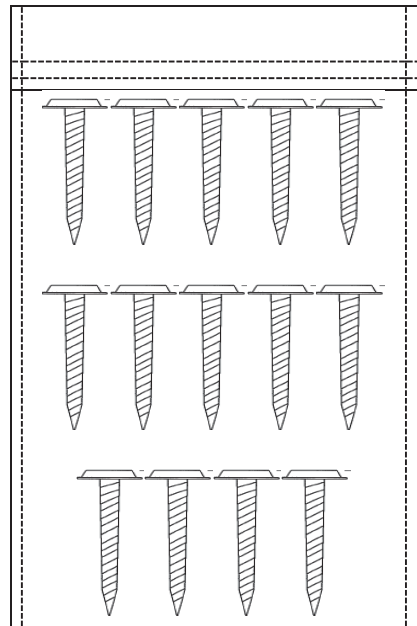
Level

These are the tools that you may need for the installation of the appliance. However, if you need to modify the counter or cabinetry to fit the unit, you may need other tools to make counter/cabinetry modifications before installing the appliance.

## Materials supplied



Anti-tip-bracket. 2 pieces.  
Screws: 2 pieces.  
1 Insulating Foam (Not illustrated) 20 1/2"  
(520mm) x 29 1/8" (740mm) x 1/8" (3mm)



Installation Kit  
Long Screws: 14 pieces  
**ONLY FOR T24UR900DP MODELS.**

## Installing the appliance

Most of the installation work must be done before the Refrigerator is moved into place. Have a Qualified technician install and connect the appliance according to the enclosed installation instructions.

### WARNING:

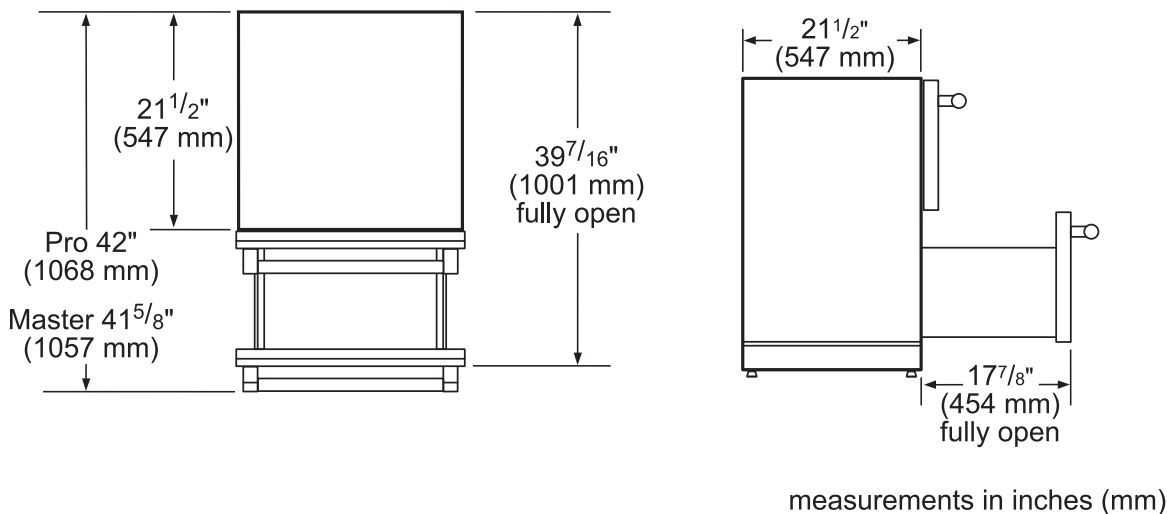
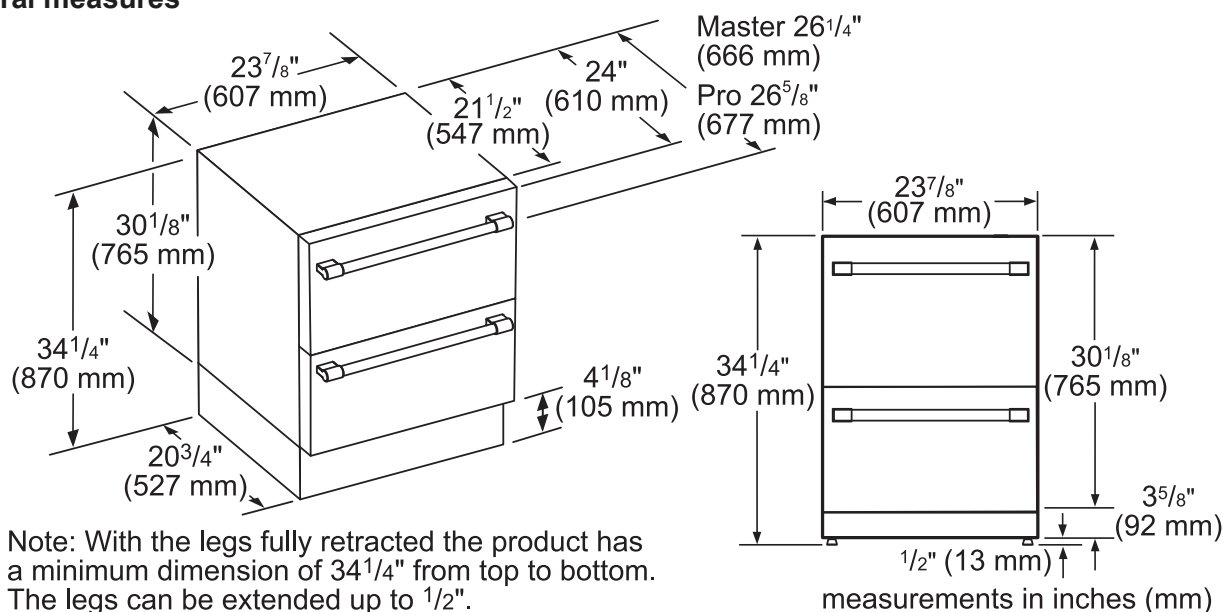
Do not install this appliance:

- Outdoors
- In an environment with dripping water
- In rooms where there is a risk of frost

### Transporting

The appliance is heavy and must be handled with caution during transportation and installation. Because of the weight and dimensions of the appliance, at least two persons are necessary to move the appliance into position securely and avoid injuries to people or damage to the appliance.

### General measures



## Installation location

A dry, well ventilated room is suitable as an installation location. The installation location should not be exposed to direct sunlight and not placed near a heat source, e.g. a cooker, radiator, etc.

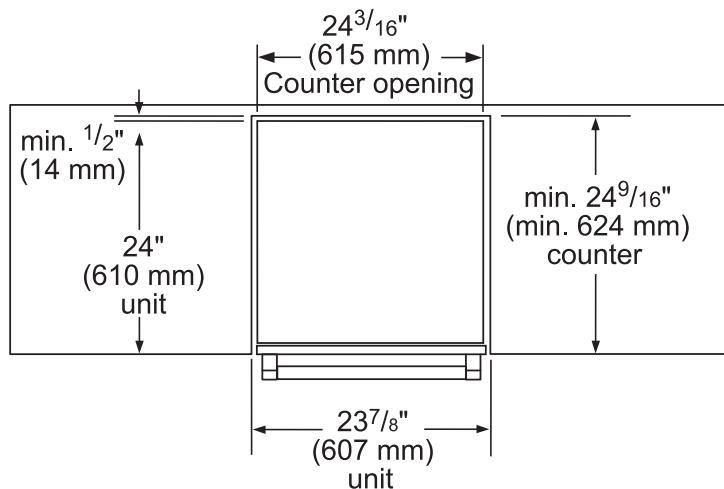
If installation next to a heat source is unavoidable, use a suitable insulating plate or observe the following minimum distance from the heat source:

- To electric or gas oven/range  $1\frac{1}{4}$ " (3 cm).
- To an oil or coal-fired cooker  $11\frac{13}{16}$ " (30cm).
- To another Refrigerator or Wine Reserve 1" (2.54cm).

The floor of the installation location must not give way; if necessary, reinforce floor. The appliance must be upright and level to function correctly.

For proper operation and appearance of the unit, the cabinet opening should be square and have dimensions as shown in the next diagrams.

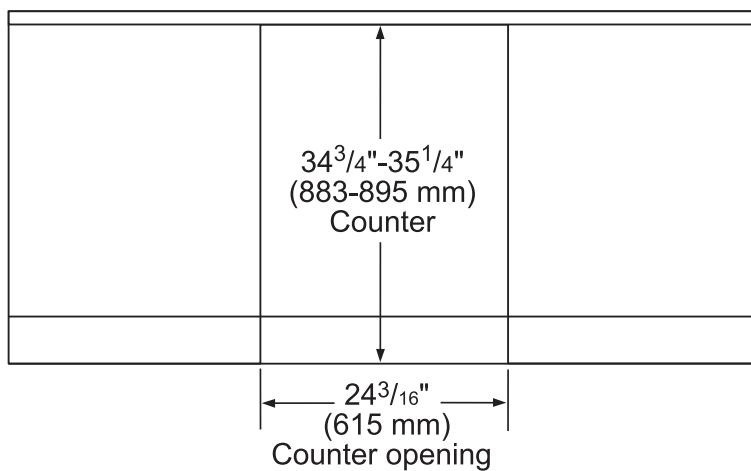
Top View



Thermador double drawer under counter top dimension.  
(Unit door flushed with the cutout)

measurements in inches (mm)

Frontal view

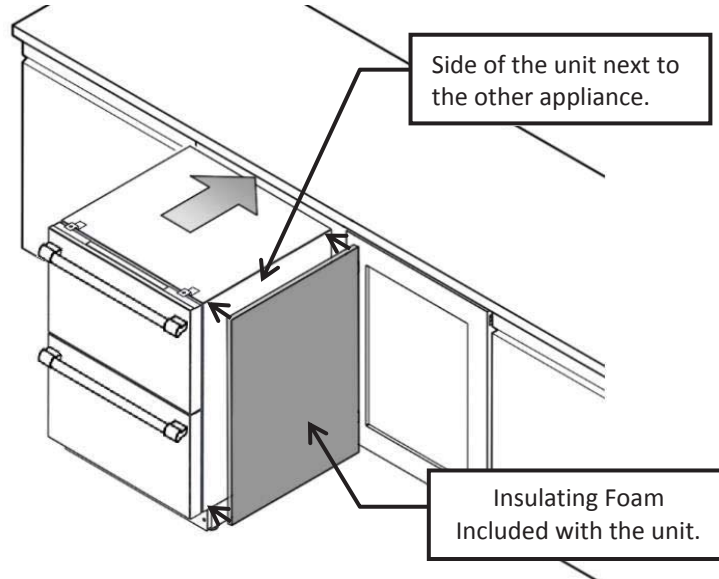


measurements in inches (mm)

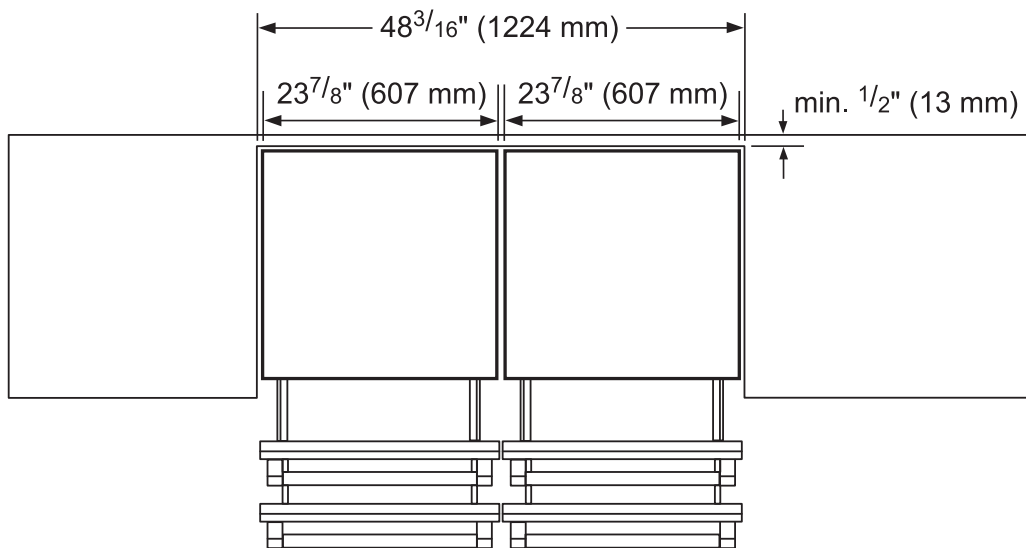
## Installing Side-by-Side

The appliance can be installed beside another Thermador appliance. Follow the next dimensions and notes for the correct installation of the appliance in a side-by-side layout.

**NOTE:** Before placing the unit into the niche, adhere the Insulating Foam (included with the product) on the side of the unit that will be placed next to the additional appliance. Be sure that the Insulating Foam is even with the surface of the unit and that there are no bubbles or bumps on the Insulation Foam after adhering it to the unit.

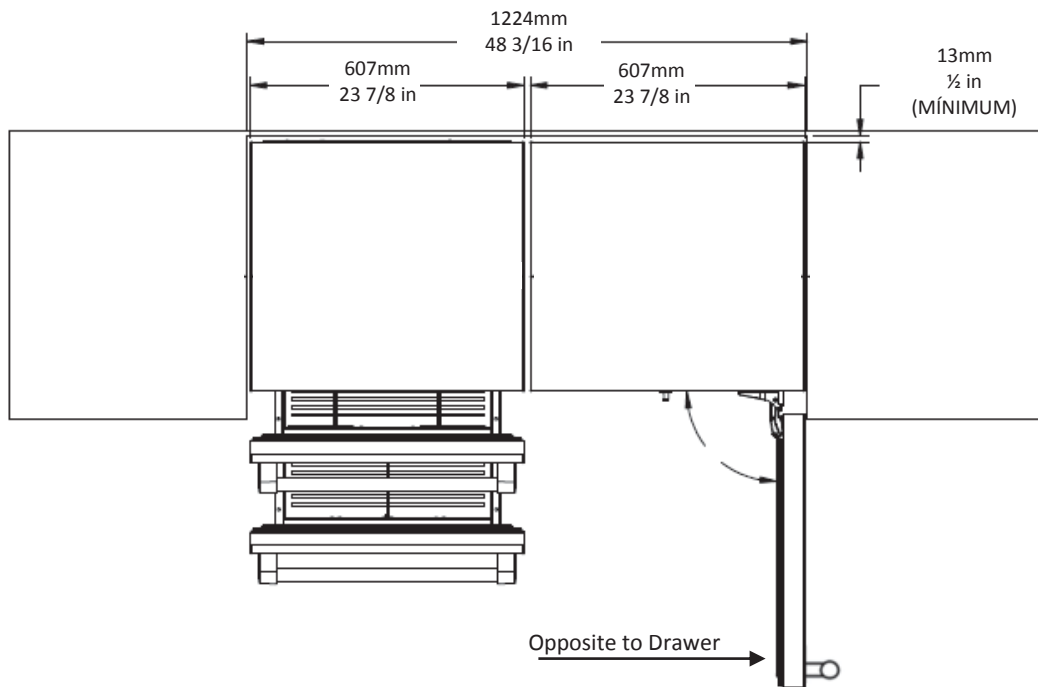


## Two Double Drawer Refrigerators side-by-side.

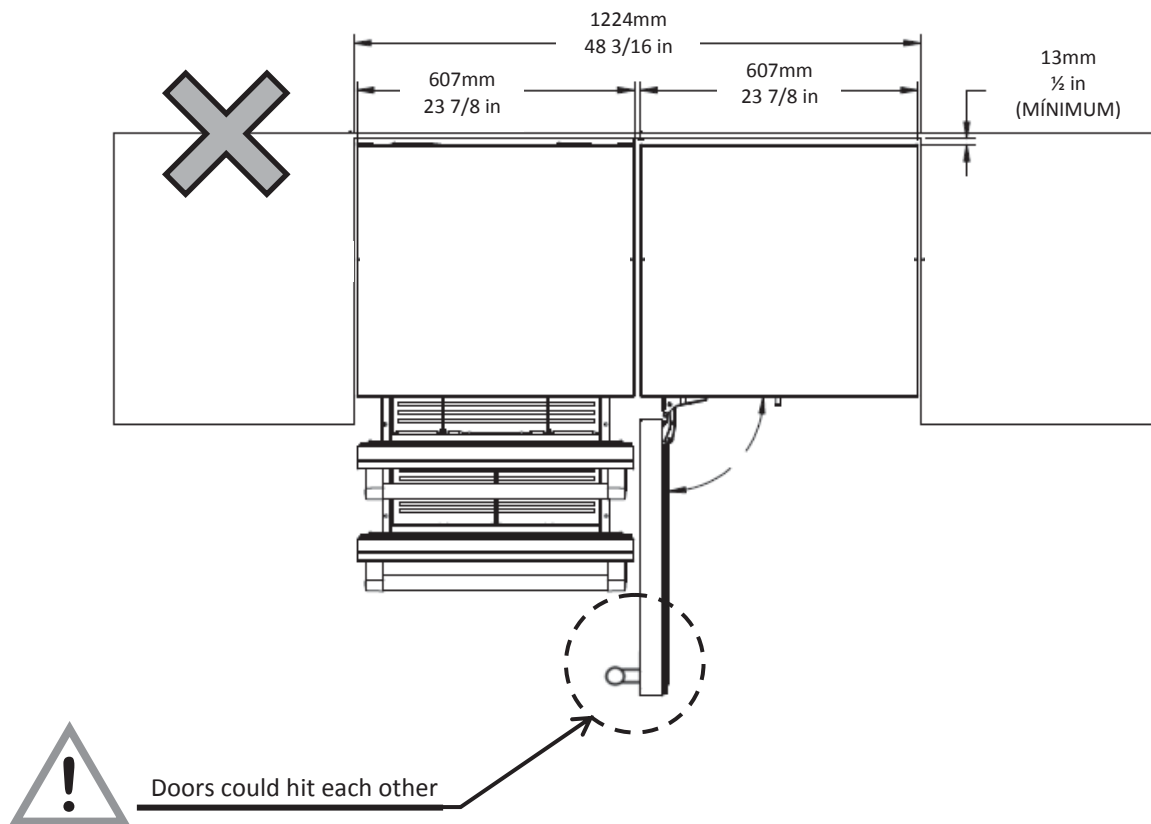


measurements in inches (mm)

**One Double Drawer and one swing door appliance:** opening of the door should be opposite to the Double Drawer to avoid interference or damage by hitting.



**Do not place a swing door appliance with the opening of the door right beside the Double Drawer.** The drawers and the door may impact each other damaging the units.

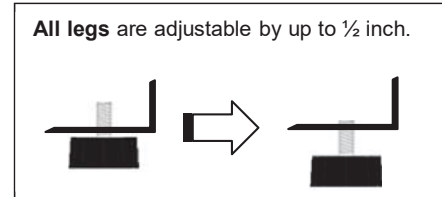
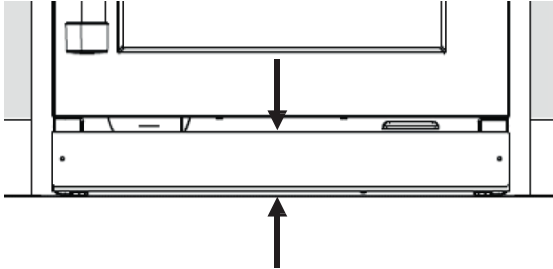




## Ventilation

The Refrigerator unit is ventilated only at the Toe-Kick in the base. Never cover that area or place anything in front of it. Otherwise the refrigeration cooling performance will be affected and the unit must work harder increasing power consumption.

Additionally, make certain **all 4 leveling legs are extended** (unit height approximately 34 ¾”), so that there is sufficient airflow underneath the appliance.



## Connecting the appliance

After installing the appliance, wait at least 1 hour to turn on the appliance. During transportation the oil in the compressor may have flowed into the refrigeration system.

Before switching ON the appliance for the first time, clean the interior of the appliance (see chapter “**Cleaning the appliance**” in the Use & Care Guide).

## Electrical connection



### WARNING:

These installation instructions are intended for use by qualified installers.



### WARNING:

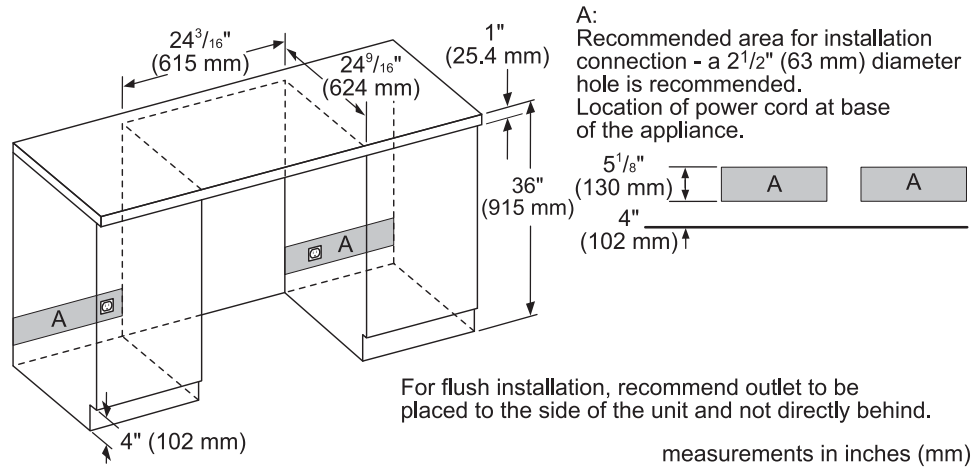
Avoid the risk of an electric shock!  
Insert into a grounded receptacle.  
Never remove grounding phase.  
Do not use any adapters.  
Do not use any extension cords.



### WARNING:

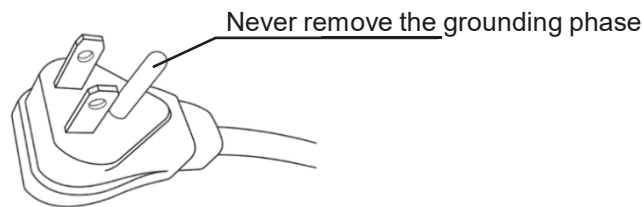
It is the customer's responsibility to insure that the appliance installation is in compliance with all national and local electrical codes and ordinances. Non-compliance with these instructions may result in death, fire or an electric shock.

The receptacle must be near the appliance, 61" (1550mm) to the right of the appliance or 37" (940mm) to the left of the appliance, and also freely accessible following installation of the appliance for future service.



The appliance complies with protection class I. Connect the appliance to 115 V/ 60Hz alternating current via a correctly installed receptacle with grounded terminal.

The appliance comes with a UL registered 3-wire power cord NEMA 5-15p type. The appliance requires a 3-pole receptacle.



**⚠ WARNING:**

Never connect the appliance to electronic energy saver plugs.

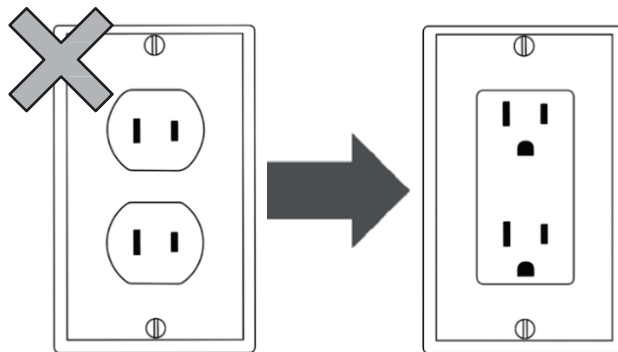
This appliance can be used with mains and sine-controlled inverters. Main controlled inverters are used for photovoltaic systems which are connected directly to the national grid.

Sine-controlled inverters must be used for isolated applications (e.g. on ships or in mountain lodges) which are not connected directly to the national grid.

The appliance requires a 3-pole socket. The socket should be connected by a qualified electrician only.

Where there is a 2-pole standard wall socket, it is the responsibility of the customer to have this socket replaced with a correctly grounded 3-pole wall socket. Do not use any adapter plugs.

Be sure that the location of your refrigerator has a near and accessible electric socket.



2-pole standard wall socket must be replaced with a 3-pole grounded socket. Do not use adapters.

## Installing the anti-tip-brackets

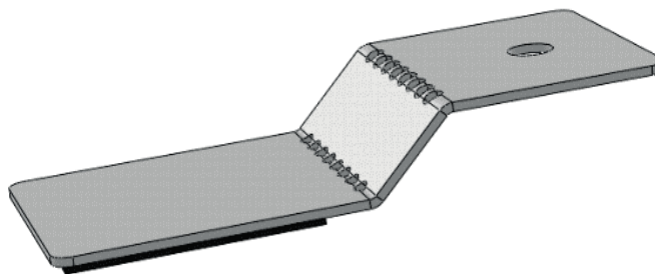
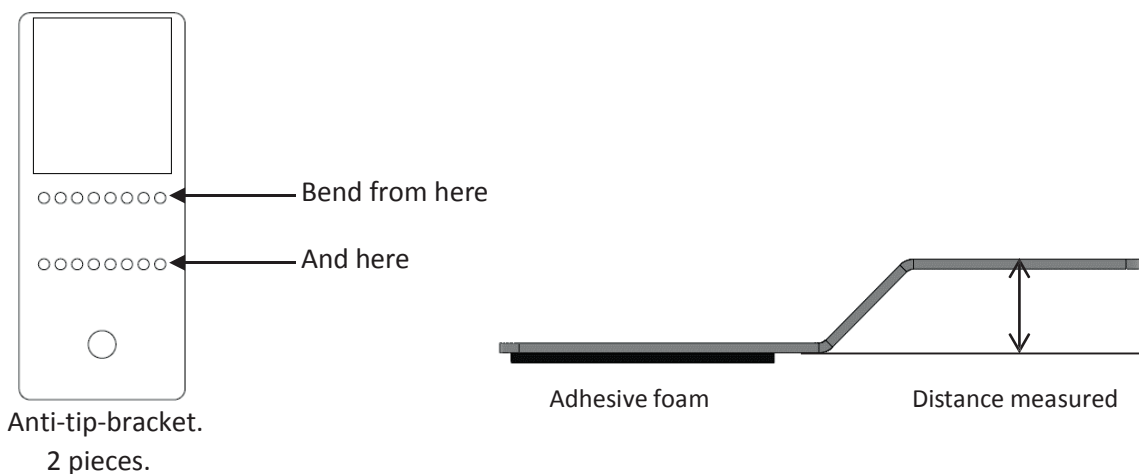
The appliance includes two anti-tip-brackets. If your cabinetry is not designed for the specific dimensions of your appliance, or if you plan to use the appliance as a free-standing unit, you should use these brackets to avoid your appliance tilting due to unbalanced overweight situations where both drawers are opened at the same time.

### **WARNING:**

To avoid the appliance tilting due to unbalanced overweight do not open both drawers at the same time. Always close one drawer before pull out another.

### **For free-standing use**

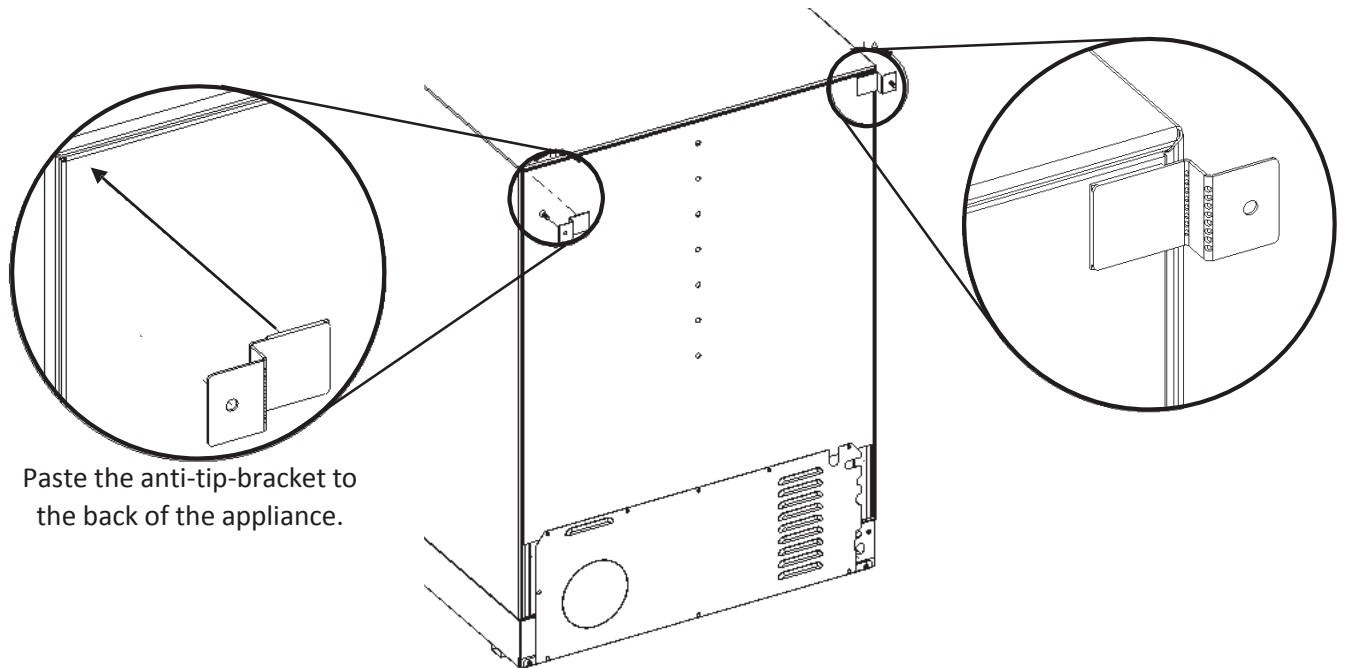
1. Consider the distance necessary for the appliance to be flush with the front of your cabinetry. If there is no cabinetry, put the unit close to the wall, then take the measurement of the space at the back, between the unit and the wall.
2. Based on the measured distance between the back of the unit and the wall, bend the anti-tip bracket (included with the unit) from the pointed lines to form a “step” with the same Distance measured.



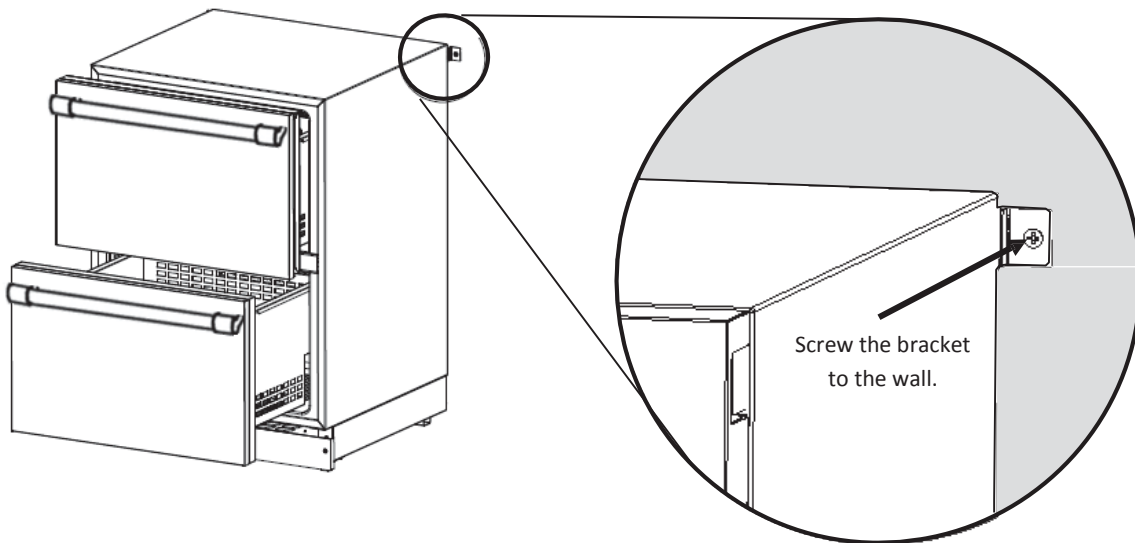
Resultant formed “step”.

**NOTE:** The adhesive foam must be at the bottom of the step, never on the reverse side.

3. Peel the adhesive foam and paste the anti-tip-bracket at both sides on the back of the appliance as shown in the illustrations.



4. With the anti-tip-brackets pasted on the back of the appliance, slide the appliance to the wall until the anti-tip-bracket is touching the wall. Using the screws provided, fasten the anti-tip-bracket to the wall for both sides.  
**NOTE:** Do not fasten the unit to dry wall. Be sure to attach the unit to a solid surface.



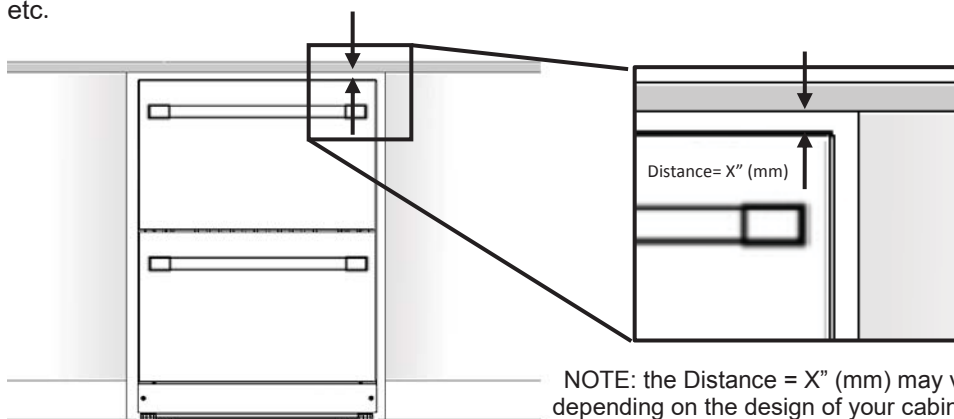
Repeat on the other side.

**For under counter use**

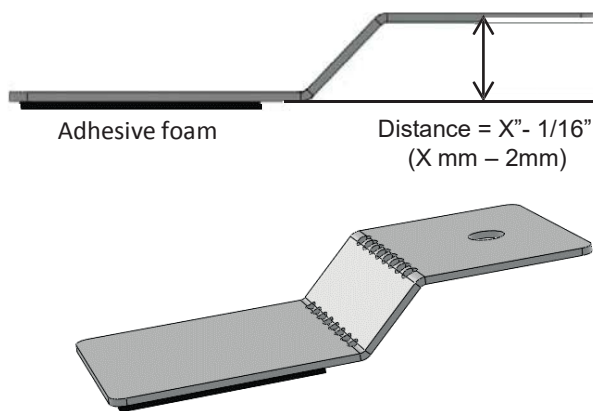
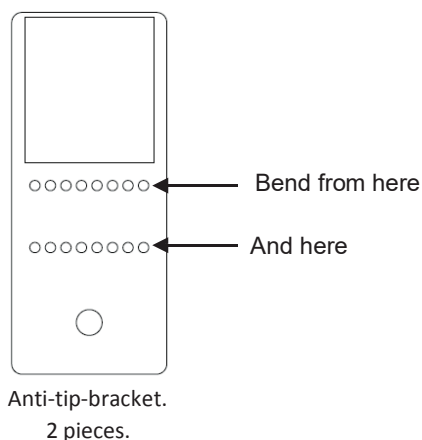
1. Consider the distance necessary for the appliance to be flush with the front of your cabinetry.



2. Take the measurement from the top of the cabinet of the unit to the bottom of the counter. The measurement X"(mm) may vary depending on the design of the counter, extension of the legs of the product, etc.

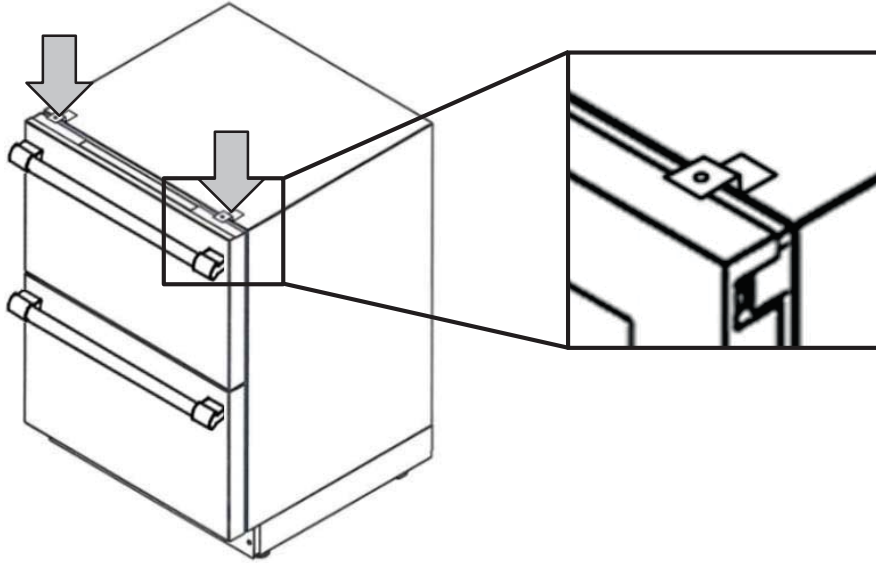


3. Based on the Distance = X" (mm) between the appliance and the counter, bend the anti-tip- brackets included with the appliance on the pointed lines to form a "step" 1/16" (2mm) smaller than the Distance = X" (mm) measured.

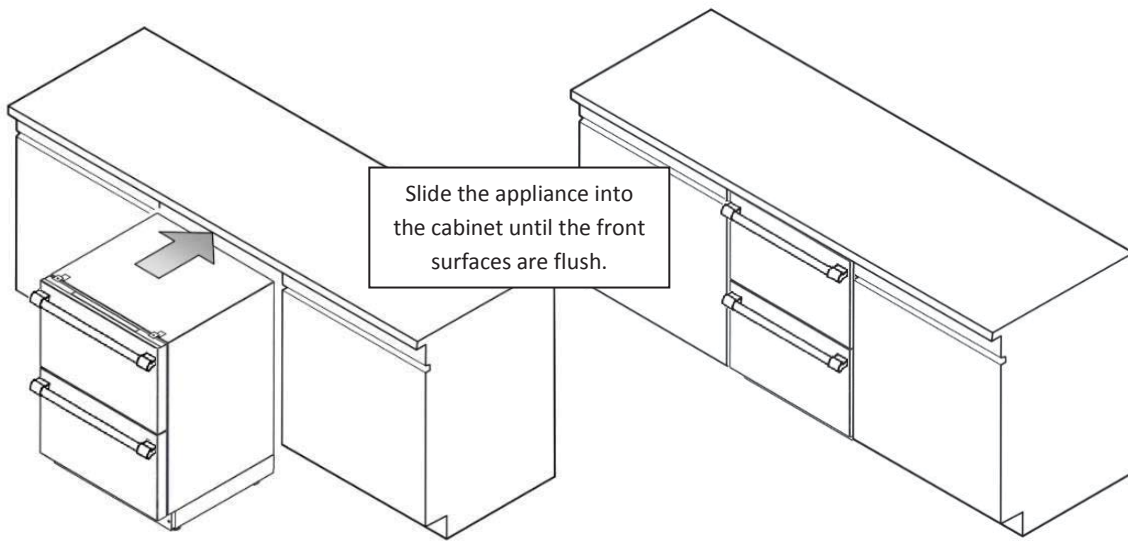


Resultant formed "step".  
**NOTE:** The adhesive foam must be at the bottom of the step, never on the reverse side.

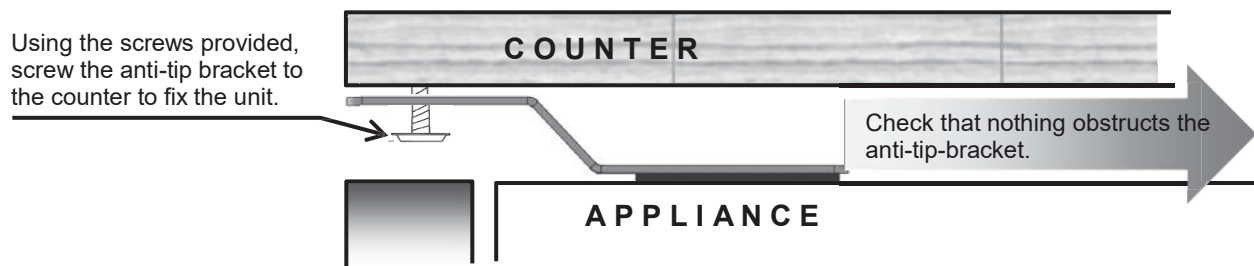
4. Peel the adhesive foam and paste the anti-tip-bracket at the front on the top of the cabinet of the appliance, near the corners as shown in the picture:



5. Slide the appliance into the cabinet until the front of the appliance is flush with the front of the cabinetry. Check that nothing interferes or obstructs the anti-tip-bracket while sliding under the counter.



Using the screws provided, screw the anti-tip bracket to the counter to fix the unit.



## Installing the overlay panel

(For T24UR900DP models only)

If you plan to install a custom overlay panel, you will need to create the panel yourself or consult a qualified cabinetmaker or carpenter.

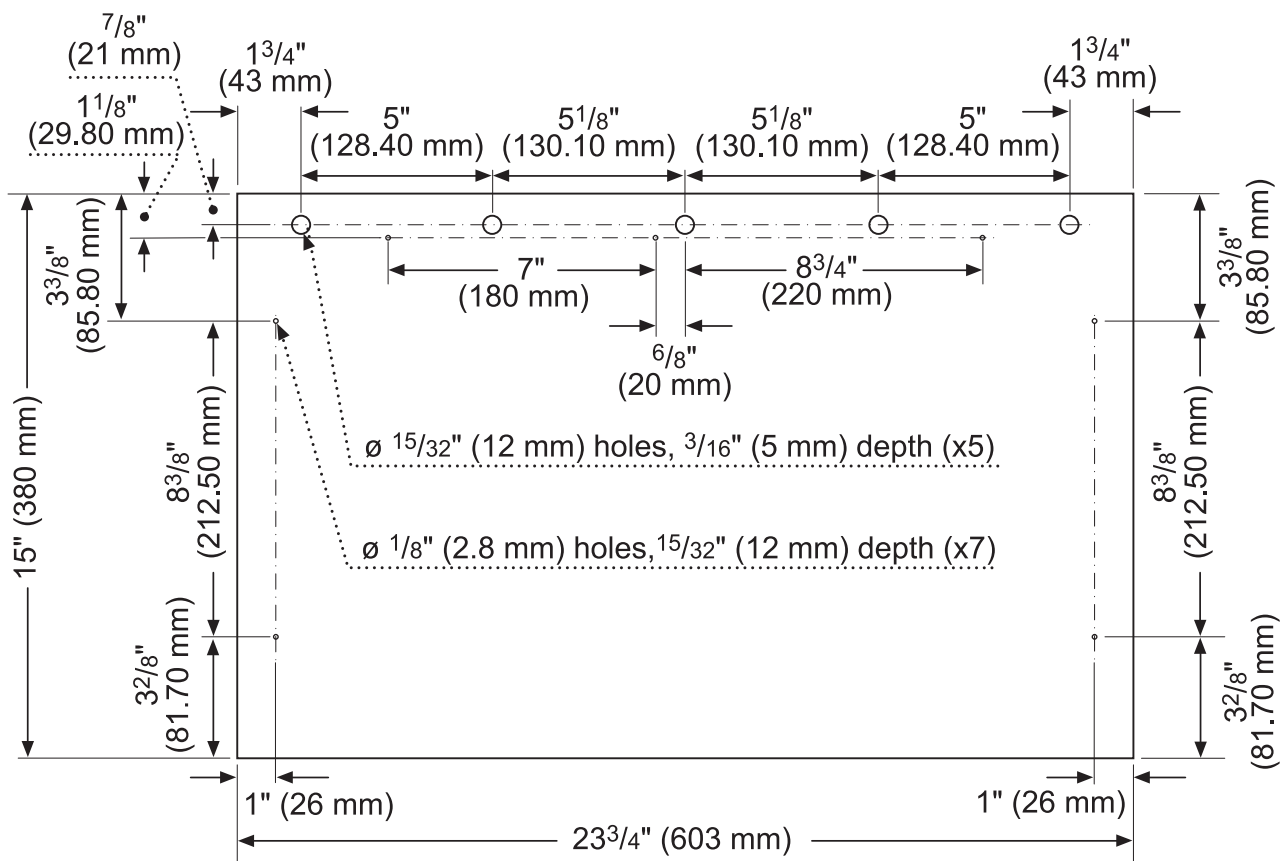
A full sized template for easier marking the hole pattern is included in the manual package.

### IMPORTANT:

- The thickness of the overlay panel must be  $\frac{3}{4}$ " (19mm).
- Overlay panel must not weigh more than 10lbs (4.54kg) each.
- Overlay panels weighing more than recommended may cause damage to your appliance.
- To install the panel, use only the screws included in the "Installation Kit".

Create the custom overlay panel using the dimensions shown.

**NOTE 1:** Top and bottom drawers use the same panel.

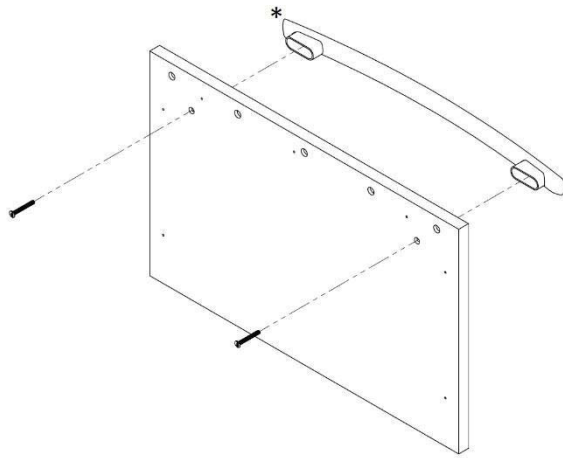


### Notes:

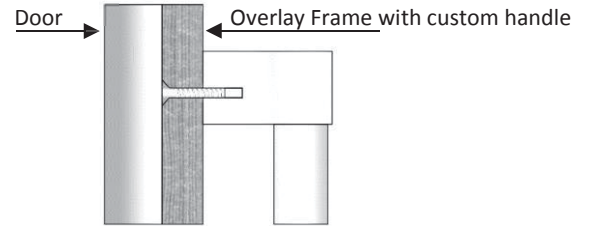
1. The  $\varnothing 15/32$ " (12 mm) holes are only needed in the top panel. Bottom panel does not need these holes.
2. The thickness of the overlay panel must be  $\frac{3}{4}$ " (19 mm).
3. Overlay panel must not weigh more than 4.54 kg (10 lb).
4. Overlay panel weighing more than recommended may cause damage to the appliance.
5. It is recommended to have the help of a second person to install the panel.
6. Use the recommended tools in the installation manual to facilitate the installation of the panel. Failure to use the recommended tools or the help of a second person may result in damage to the panel and/or the appliance.

measurements in inches (mm)

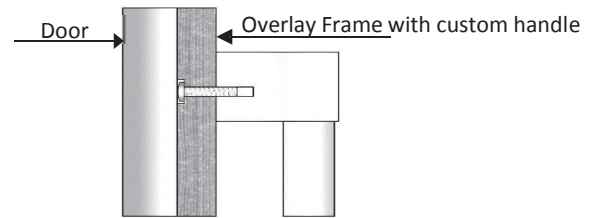
1. Install the custom handle of your preference on the overlay panel before installing the panel on the drawer.
  - Every custom handle is different and it is the responsibility of the customer to make the necessary adjustments to place the handle on the overlay panel.
  - The screws used to affix the custom handle to the panel must be flat and flush with the surface of the panel (Fig A); if the screws are not flat, then consider making a recession on the overlay, enough to hide the head of the screw below the surface of the overlay, otherwise the screws will interfere with the correct placement of the overlay on the drawer (Fig B).



Install costum handle first

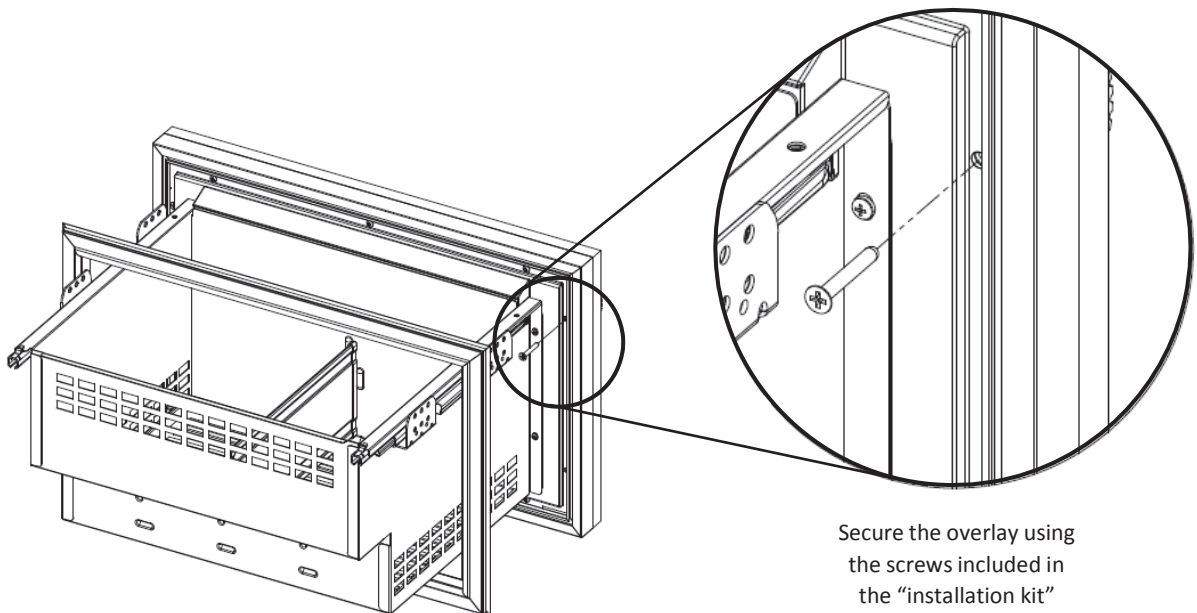


Flat screw flush with surface  
(Fig A)



Round head screw hidden in a recession on the overlay.  
(Fig B)

2. Remove the gasket from the top corners of the door pulling it gently. Under the gasket there is an insulant foam; pull out the foam just enough to access the screw bellow. It is not necessary to remove all the gasket and foam, only a portion enough to make the screw accessible. Then, remove the screws, they are not needed anymore. Using the screws included in the "installation kit", secure the overlay panel screwing it from the inside of the drawer through the same hole left by the removed screw until the panel is firmly attached to the drawer.

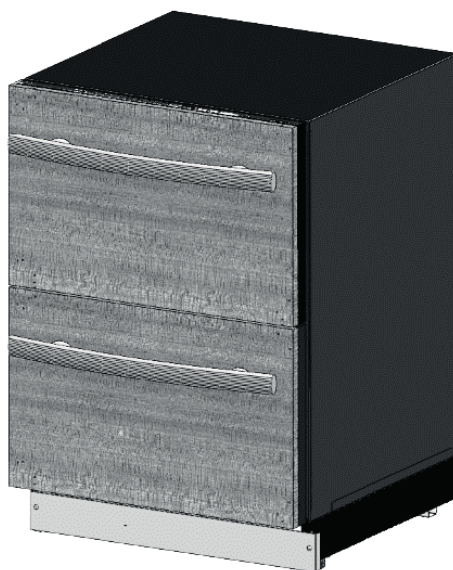


Secure the overlay using the screws included in the "installation kit"



3. After securing the overlay to the drawer, put the gasket back in its place pressing it against its channel on the drawer until all the gasket is even and back in place.

Repeat the same steps for the other drawer. Now, the overlay panels are ready.



## Customer Service Information

If service becomes necessary, contact your dealer or an authorized service center. Do not attempt to repair the appliance yourself. Any work performed by unauthorized personnel may void the warranty. If problem persists, take the following steps (in the order listed below) until the problem is corrected to your satisfaction.

1. Contact your dealer or the Thermador Authorized Servicer in your area.
2. E-mail us from the Customer Service section of our web site, [www.Thermador.com](http://www.Thermador.com).
3. Write to us at the address below:

**BSH Home Appliances Corporation**  
**1901 Main Street, Suite 600**  
**Irvine, CA 92614**

4. Call us at: 1-800-735-4328

Please be sure to include (if writing), or have available (if calling), the following information:

- Model Number
- Serial Number
- Date of Original Purchase
- Date Problem Originated
- Explanation of Problem

Also, if writing, please be sure to include a daytime phone number. (You will find the model number and serial number information on the label located at the right side of the bottom compartment.)

## **Data Rating Label**

The data rating label shows the model and serial number of your appliance. It is located at the right side of the bottom compartment.

## **Service Information**

For handy reference, copy the information in the form below from the data rating plate located at the right side of the bottom compartment. Keep your invoice for Warranty validation.

Model Number \_\_\_\_\_

Serial Number \_\_\_\_\_

Date of Purchase \_\_\_\_\_

Dealer's Name \_\_\_\_\_

Dealer's Phone Number \_\_\_\_\_

Service Center's Name \_\_\_\_\_

Service Center's Phone Number \_\_\_\_\_



- IMPORTANTE:** Antes de comenzar, lea las instrucciones completa y cuidadosamente.
- INSTALADOR:** Déjele este manual al propietario para que lo consulte en el futuro.
- PROPIETARIO:** Guarde estas instrucciones de instalación para que las utilice el inspector eléctrico local y para consultar en el futuro.

## Índice

<b>Instrucciones importantes de seguridad .....</b>	<b>21</b>
- Inspección del refrigerador	
<b>Herramientas necesarias para la instalación .</b>	<b>22</b>
<b>Materiales suministrados .....</b>	<b>22</b>
<b>Instalación del electrodoméstico .....</b>	<b>23</b>
- Transporte	
- Medidas generales	
- Ubicación de la instalación	
- Instalación lado a lado	
<b>Ventilación .....</b>	<b>27</b>
<b>Conexión del electrodoméstico .....</b>	<b>27</b>
- Conexiones eléctricas	
<b>Instalación del soporte antivuelco .....</b>	<b>29</b>
<b>Instalación del panel de revestimiento .....</b>	<b>33</b>
<b>Información de Atención al cliente .....</b>	<b>35</b>

## Instrucciones importantes de seguridad

¡LEA Y GUARDE ESTAS INSTRUCCIONES!

**Estas instrucciones de instalación deben ser utilizadas por instaladores calificados.**

**Además de estas instrucciones, el electrodoméstico debe instalarse:**

- En los Estados Unidos, de acuerdo con el Código Eléctrico Nacional, los códigos estatales y municipales o los códigos locales.
- En Canadá, de acuerdo con la última edición del Código Eléctrico Canadiense C22.1, los códigos provinciales y municipales o los códigos locales.

**Asegúrese de respetar todas las advertencias y precauciones indicadas.**

Esté atento a los triángulos con signos de exclamación en su interior.



### **ADVERTENCIA:**

Esto indica que se podrían producir muertes o lesiones graves por no respetar esta advertencia.



### **PRECAUCIÓN:**

Esto indica que se podrían producir lesiones menores o moderadamente graves por no respetar esta advertencia.

### **NOTA:**

Se utiliza para dirigir la atención del usuario a algo en particular.

**Advertencias en virtud de la Proposición 65  
del estado de California**



### **ADVERTENCIA**

Este producto puede exponerlo a sustancias químicas, incluyendo cloruro de vinilo, que el estado de California sabe que provocan cáncer, defectos congénitos u otro daño reproductivo. Para obtener más información, ir a la página web:  
[www.P65Warnings.ca.gov](http://www.P65Warnings.ca.gov).

## **Importante**

- **INSTALACIÓN NUEVA:** Si el electrodoméstico es una instalación nueva, la mayor parte del trabajo debe realizarse antes de colocar la unidad en su lugar.
- **REEMPLAZO:** Si el electrodoméstico reemplazará a otro electrodoméstico, **se debe controlar la compatibilidad** de las conexiones del electrodoméstico que se reemplazará con las de la unidad nueva y reemplazarlas, según sea necesario.

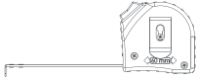
## **Inspección del refrigerador**

Retire la cinta, el embalaje y las cubiertas plásticas.

Luego de desembalar el electrodoméstico y antes de su instalación, inspeccione completamente el refrigerador en busca de posibles daños cosméticos u ocasionados por el transporte. Informe de inmediato cualquier daño que observe.

**NOTA:** No deseche ninguna bolsa ni elemento que venga con el embalaje original hasta que se haya completado toda la instalación.

## Herramientas necesarias para la instalación



Cinta métrica



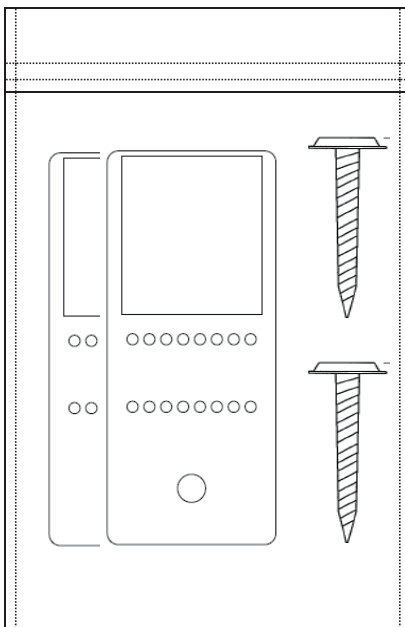
Destornillador Philips



Nivel

Estas son las herramientas que podrá necesitar para la instalación del electrodoméstico. Sin embargo, si debe modificar la encimera u otros muebles de cocina para adaptar la unidad, es posible que necesite otras herramientas a fin de realizar las modificaciones a la encimera o los otros muebles antes de instalar el electrodoméstico.

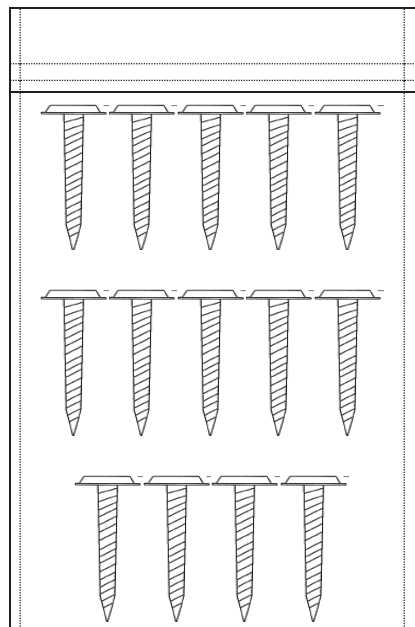
## Materiales suministrados



Soporte antivuelco: 2 unidades.

Tornillos: 2 unidades.

1 espuma aislante (no se muestra) de 20 1/2" (520 mm) x 29 1/8" (740 mm) x 1/8" (3 mm)



Kit de instalación

Tornillos largos: 14 piezas

**SOLO PARA MODELOS T24UR900DP**

## Instalación del electrodoméstico

La mayor parte del trabajo de instalación debe realizarse antes de que el refrigerador se coloque en su lugar. Solicite a un técnico calificado que instale y conecte el electrodoméstico según las instrucciones de instalación adjuntas.

### ADVERTENCIA:

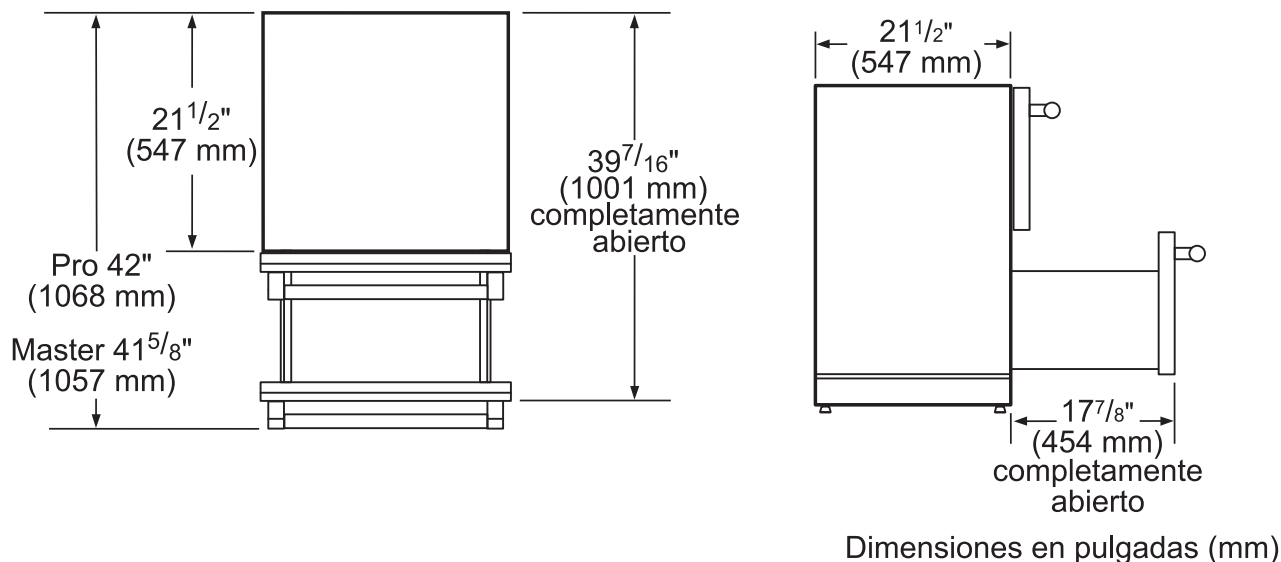
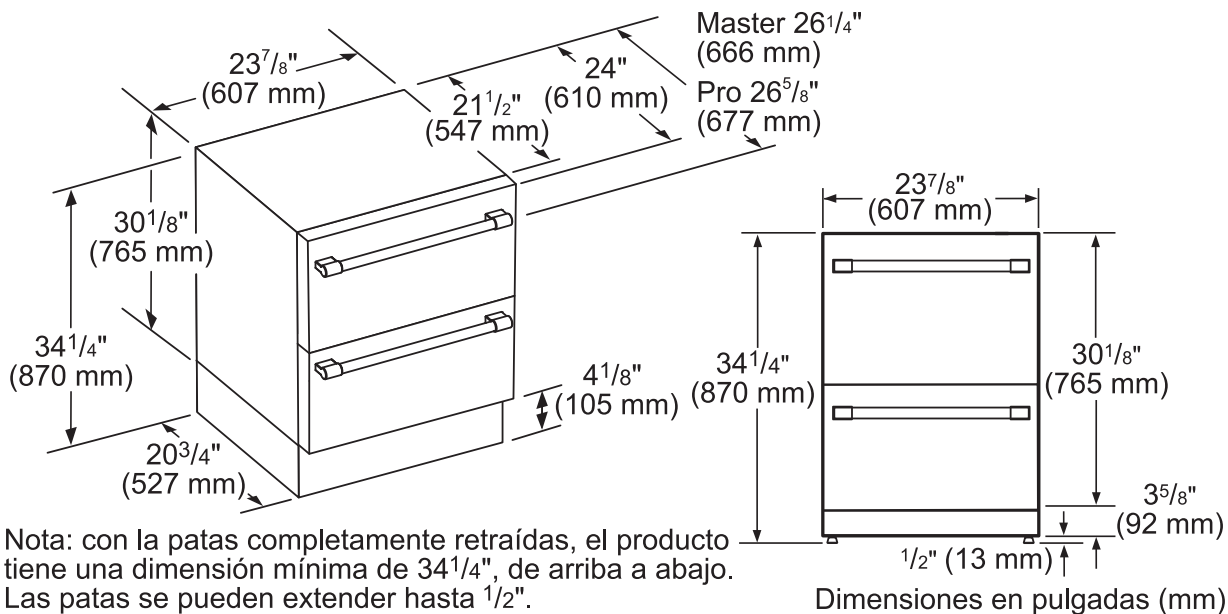
No instale este electrodoméstico:

- Al aire libre.
- En un entorno donde gotee agua.
- En habitaciones donde haya riesgo de congelamiento.

### Transporte

El electrodoméstico es pesado y debe manipularse con cuidado durante el transporte y la instalación. Debido al peso y a las dimensiones del electrodoméstico, se necesitan, como mínimo, dos personas para moverlo hasta su lugar de manera segura y evitar lesiones en las personas o daños en el electrodoméstico.

### Medidas generales



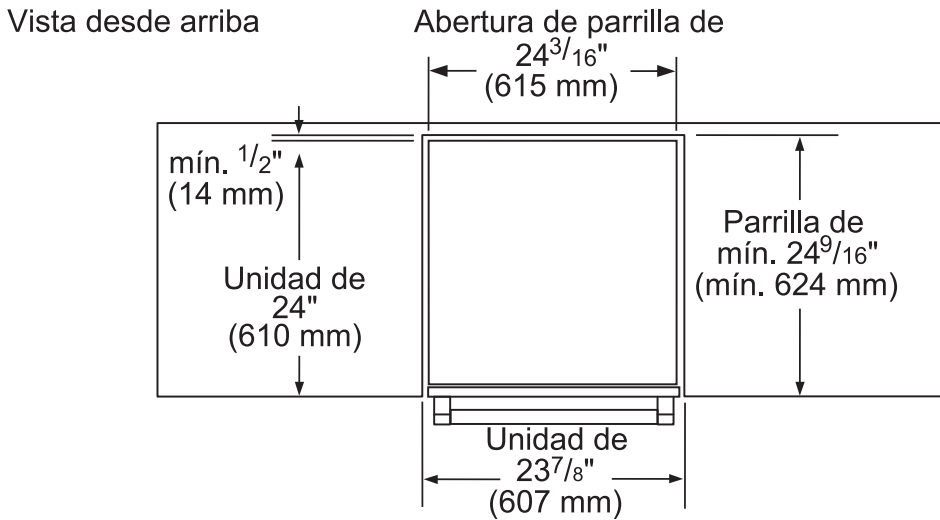
## Ubicación de la instalación

Una habitación seca y bien ventilada es una ubicación de instalación adecuada. La ubicación de la instalación no debe estar expuesta a luz solar directa y no debe encontrarse cerca de una fuente de calor; p. ej., una cocina, un radiador, etc. Si resulta inevitable instalarlo junto a una fuente de calor, utilice una placa aislante adecuada o respete la distancia mínima desde la fuente de calor que se indica a continuación:

- Hasta horno/hornillas eléctricos o a gas, 1¼" (3 cm).
- Hasta una cocina alimentada con combustible o carbón, 11<sup>13</sup>/<sub>16</sub>" (30 cm).
- Hasta otro refrigerador o enfriador de vinos, 1" (2.54 cm).

El piso de la ubicación de la instalación no debe hundirse; de ser necesario, refuerce el piso. El electrodoméstico debe estar en posición vertical y a nivel a fin de funcionar correctamente.

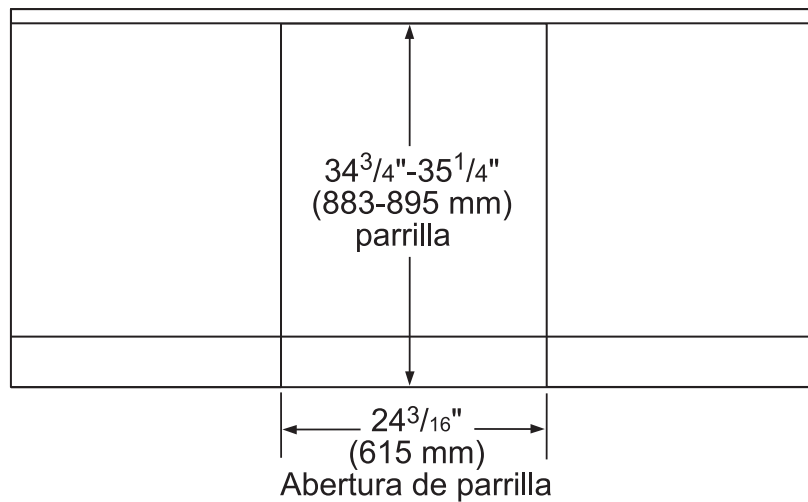
Para un funcionamiento y apariencia correctos de la unidad, la apertura del gabinete debe ser cuadrada y tener las dimensiones que se indican en los próximos diagramas.



Dimensión del cajón doble Thermador debajo de la cubierta.  
(Puerta de la unidad a nivel con el recorte)

Dimensiones en pulgadas (mm)

Vista frontal



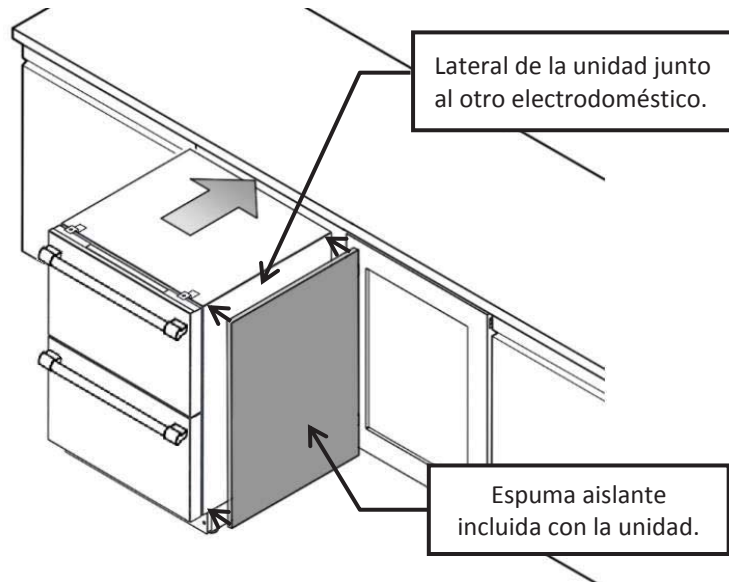
Dimensiones en pulgadas (mm)



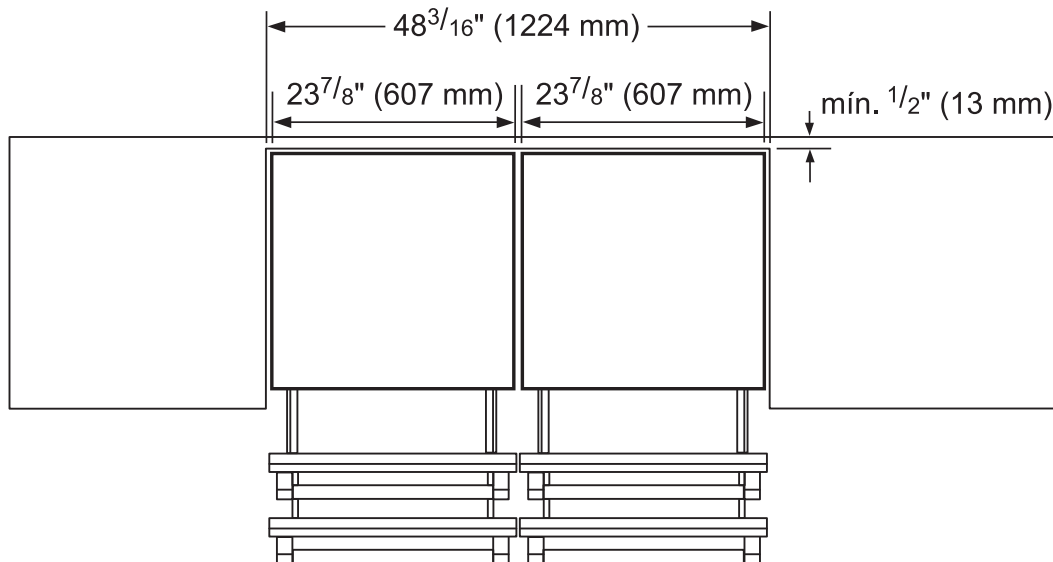
## Instalación lado a lado

El electrodoméstico puede instalarse junto a otro electrodoméstico Thermador. Siga las siguientes dimensiones y notas para instalar correctamente el electrodoméstico en una disposición lado a lado.

**NOTA:** Antes de colocar la unidad en el nicho, adhiera la espuma aislante (incluida con el producto) al lateral de la unidad que se colocará junto al electrodoméstico adicional. Asegúrese de que la espuma aislante esté a nivel con la superficie de la unidad y que no haya burbujas ni bultos en la espuma aislante después de adherirla a la unidad.

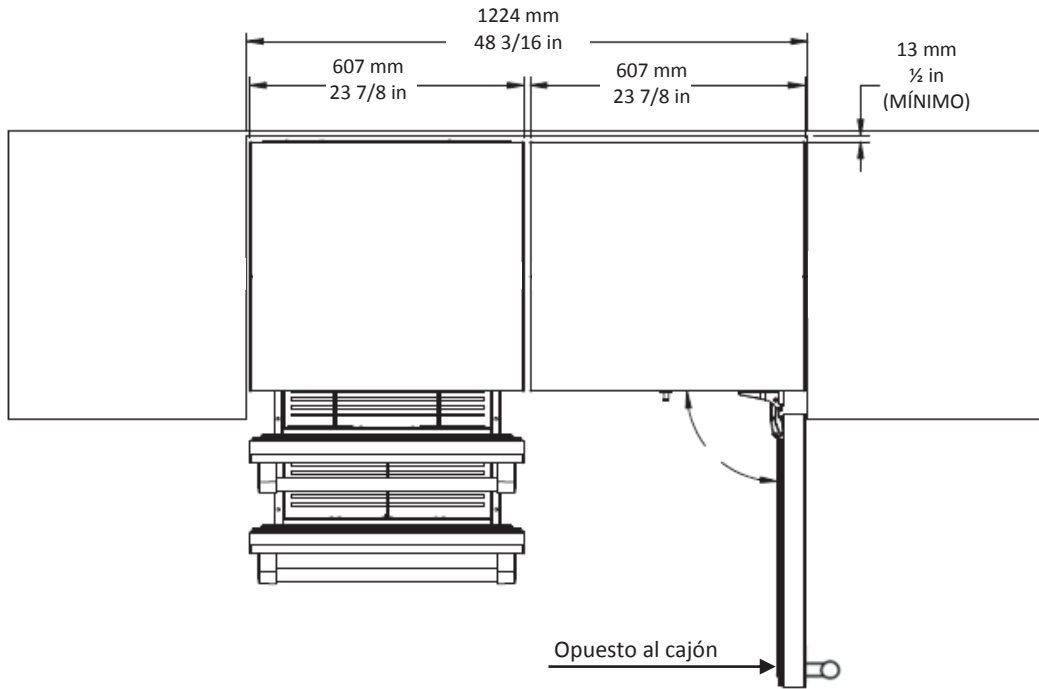


## Dos refrigeradores de doble cajón lado a lado.

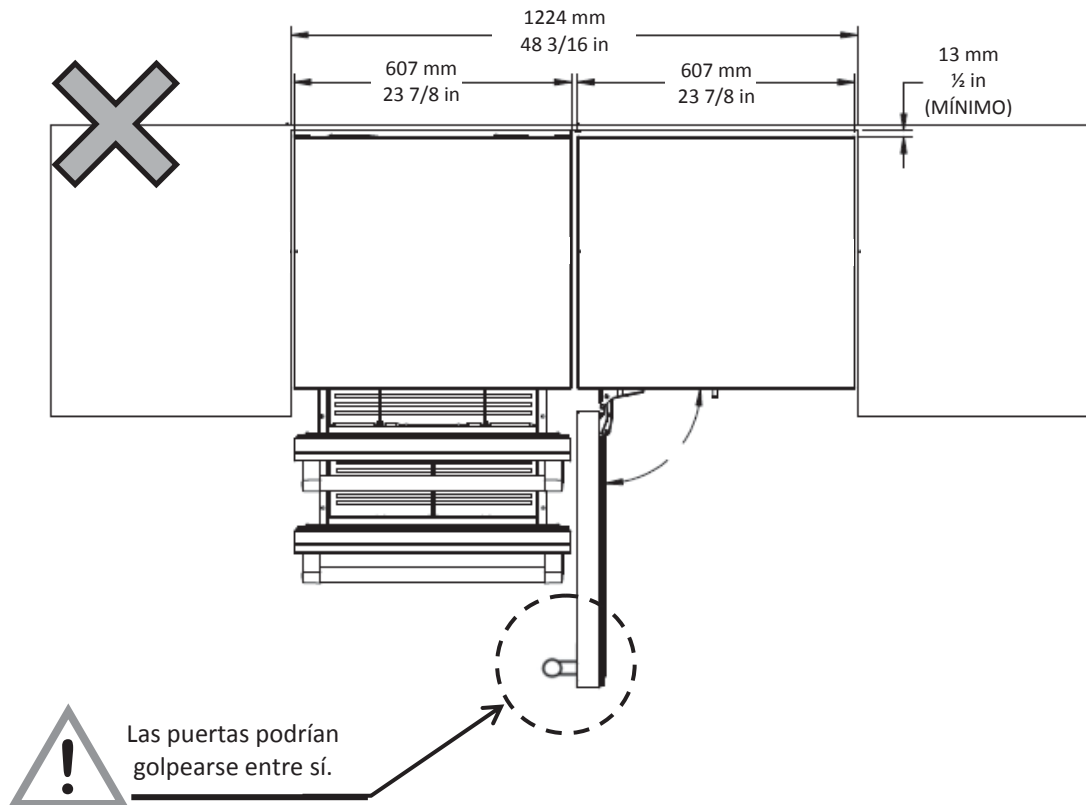


Dimensiones en pulgadas (mm)

**Un electrodoméstico de doble cajón y uno de puerta abatible:** la puerta debe abrirse en sentido opuesto al doble cajón para evitar interferencia o daños por golpes.



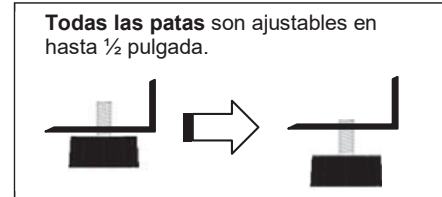
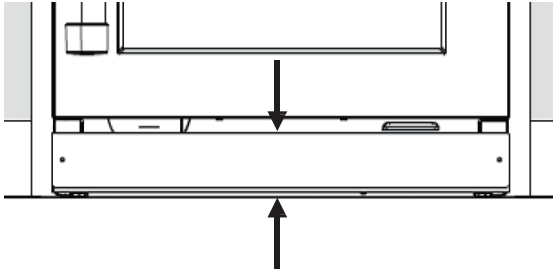
**No coloque un electrodoméstico con puerta abatible con la apertura de la puerta justo al lado del de doble cajón.** Los cajones y la puerta podrían golpearse entre sí y dañar las unidades.



## Ventilación

El refrigerador solo se ventila por el zócalo de la base. Nunca cubra dicha área ni coloque nada frente a ella. De lo contrario, el rendimiento de enfriamiento se verá afectado y la unidad deberá trabajar más, lo que aumentará el consumo de energía.

Además, asegúrese de que **las 4 patas de nivelación estén extendidas** (altura de la unidad de aproximadamente 34  $\frac{3}{4}$ " ), de manera que haya suficiente flujo de aire por debajo del electrodoméstico.



## Conexión del electrodoméstico

Luego de instalar el electrodoméstico, espere al menos 1 hora para encenderlo. Durante el transporte, es posible que el aceite del compresor fluya hasta el sistema de refrigeración.

Antes de encender el electrodoméstico por primera vez, limpie su interior (consulte el capítulo “**Limpieza del electrodoméstico**” en la Guía de uso y mantenimiento).

## Conexión eléctrica

### ADVERTENCIA:

Estas instrucciones de instalación deben ser utilizadas por instaladores calificados.

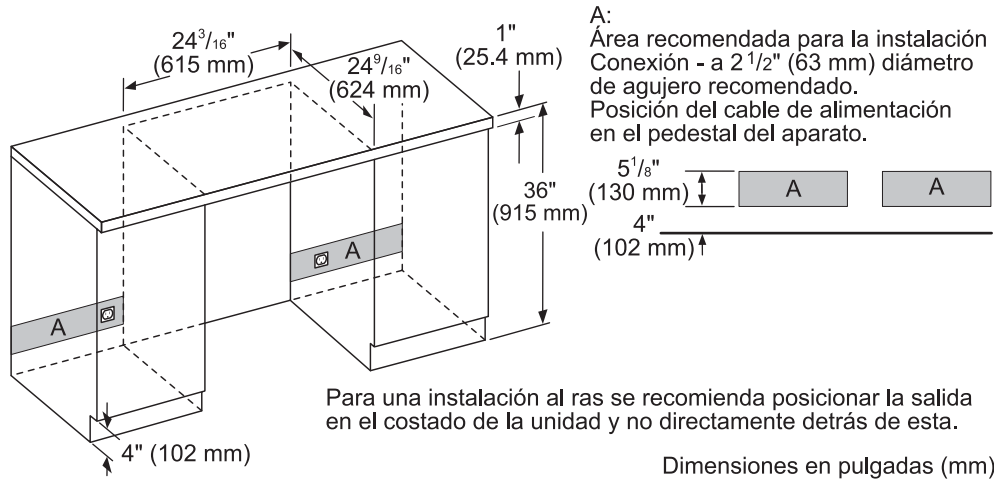
### ADVERTENCIA:

¡Evite el riesgo de sufrir una descarga eléctrica!  
Inserte en un receptáculo con conexión a tierra.  
Nunca retire la fase de conexión a tierra.  
No utilice adaptadores.  
No utilice cables de extensión.

### ADVERTENCIA:

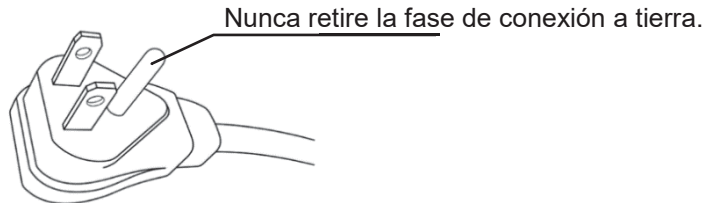
Es responsabilidad del cliente asegurarse de que la instalación del electrodoméstico cumpla con todos los códigos y ordenanzas eléctricos, tanto nacionales como locales. El no cumplimiento de estas instrucciones podría provocar muertes, incendios o descargas eléctricas.

El receptáculo debe estar cerca del electrodoméstico, 61" (1550 mm) a la derecha del electrodoméstico o 37" (940 mm) a la izquierda del electrodoméstico, y debe poder accederse fácilmente a él después de la instalación del electrodoméstico para reparaciones futuras.



El electrodoméstico cumple con la clase de protección I. Conecte el electrodoméstico a corriente alterna de 115 V/60 Hz a través de un receptáculo correctamente instalado con terminal conectado a tierra.

El electrodoméstico viene con un cable de alimentación de 3 hilos registrado en UL, tipo NEMA 5-15p. El electrodoméstico requiere un receptáculo de 3 polos.



**⚠ ADVERTENCIA:**

Nunca conecte el electrodoméstico a enchufes de ahorro de energía eléctrica.

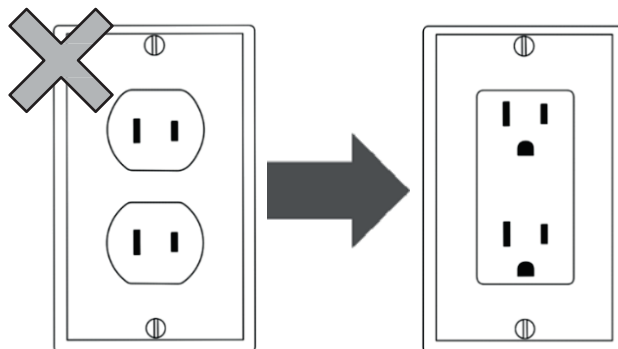
Este electrodoméstico puede utilizarse con inversores controlados por redes eléctricas o inversores sinusoidales. Los inversores controlados por redes eléctricas se utilizan para los sistemas fotovoltaicos, que se conectan directamente a la red nacional.

Los inversores sinusoidales deben utilizarse para aplicaciones aisladas (p. ej., en embarcaciones o en albergues de montaña), que no están directamente conectadas a la red nacional.

El electrodoméstico requiere una toma de corriente de 3 polos. La toma de corriente solo debe ser conectada por un electricista calificado.

Donde haya una toma de corriente de pared estándar de 2 polos, es responsabilidad del cliente reemplazar esta toma con una toma de pared de 3 polos correctamente conectada a tierra. No utilice enchufes adaptadores.

Asegúrese de haya una toma de corriente eléctrica accesible y cerca de su refrigerador.



La toma de corriente de pared estándar de 2 polos debe ser reemplazada por una de 3 polos con conexión a tierra. No utilice adaptadores.

## Instalación de los soportes antivuelco

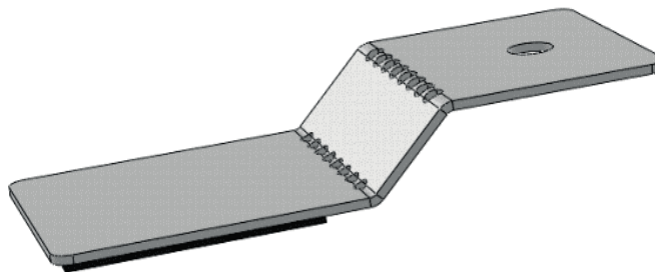
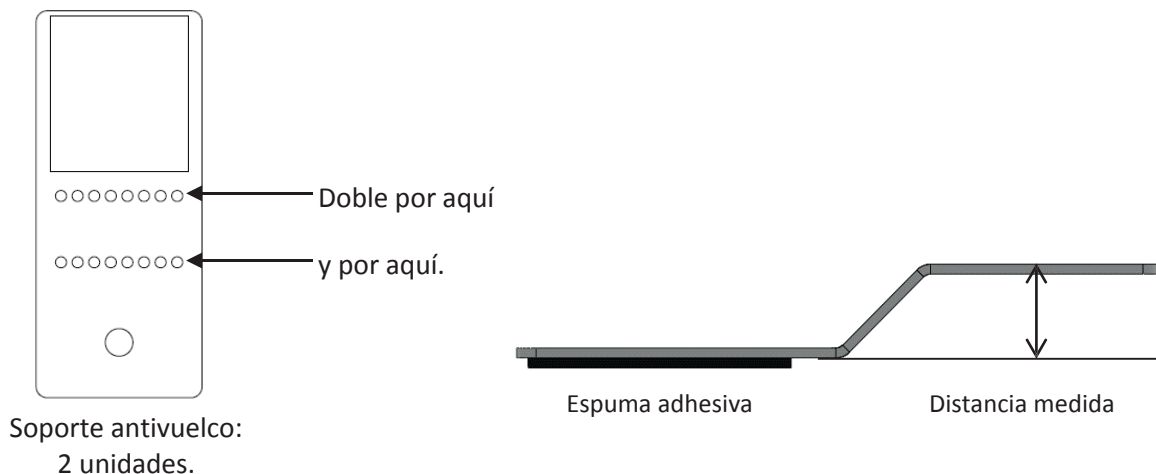
El electrodoméstico incluye dos soportes antivuelco. Si sus muebles de cocina no están diseñados para las dimensiones específicas de su electrodoméstico, o si tiene pensado utilizar el electrodoméstico como una unidad independiente, debe utilizar estos soportes a fin de evitar que su electrodoméstico se incline debido a situaciones de sobrepeso fuera de equilibrio en las que ambos cajones se abren al mismo tiempo.

### ADVERTENCIA:

Para evitar la inclinación del electrodoméstico debido a un sobrepeso fuera de equilibrio, no abra ambos cajones al mismo tiempo. Siempre cierre un cajón antes de sacar el otro.

### Para uso independiente

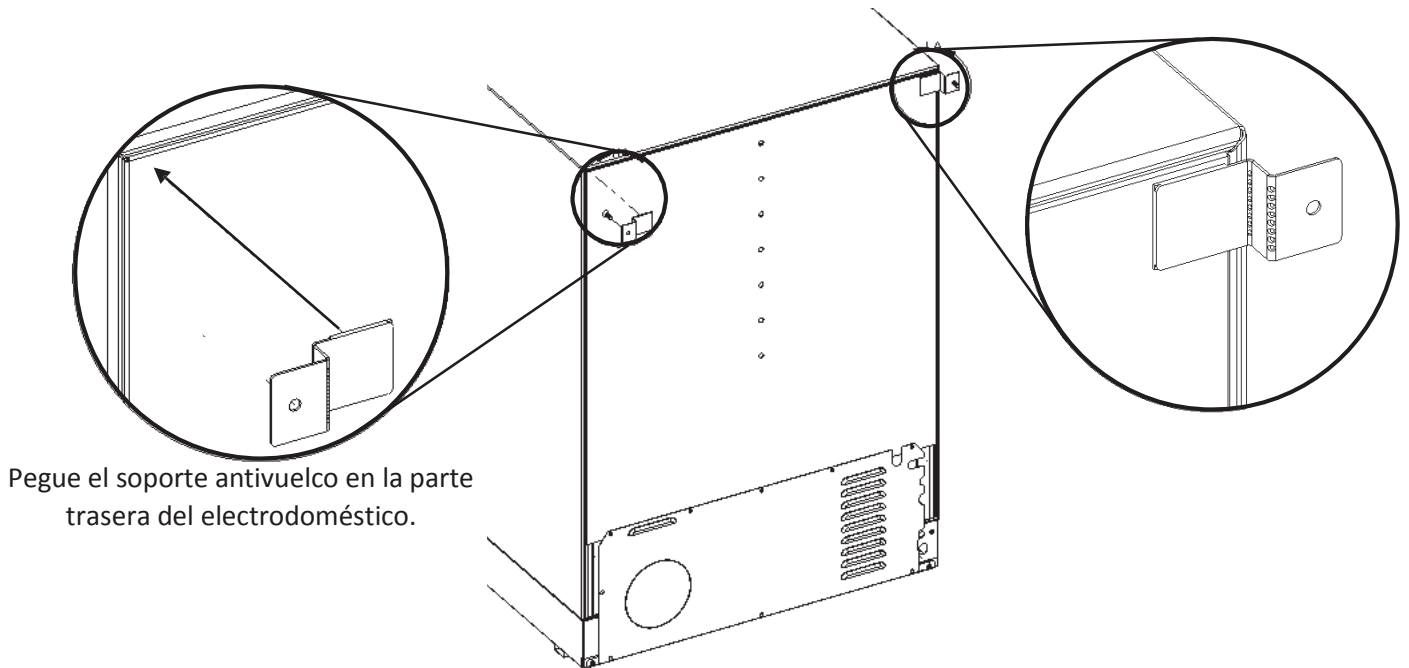
1. Tenga en cuenta la distancia necesaria para que el electrodoméstico esté alineado con el frente de sus muebles de cocina. Si no hay muebles, coloque la unidad cerca de la pared, luego tome la medida del espacio que queda libre en la parte posterior, entre la unidad y la pared.
2. Según la distancia medida entre la parte posterior de la unidad y la pared, doble el soporte antivuelco (incluido con la unidad) por las líneas de puntos para formar un “escalón” con la misma distancia medida.



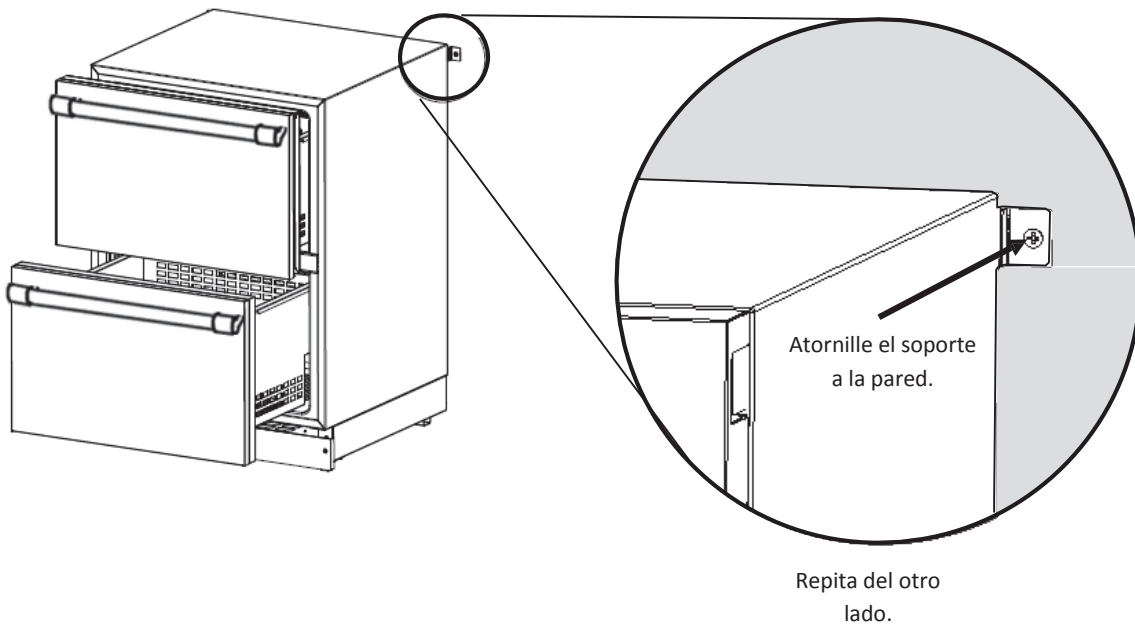
“Escalón” formado resultante.

**NOTA:** La espuma adhesiva debe estar en la parte inferior del escalón, nunca en el lado del revés.

3. Despegue la espuma adhesiva y pegue el soporte antivuelco a ambos lados de la parte posterior del electrodoméstico, como se muestra en las ilustraciones.

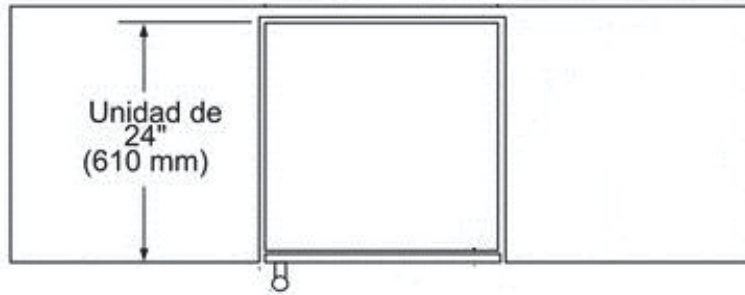


4. Con los soportes antivuelco pegados en la parte posterior del electrodoméstico, deslice el electrodoméstico hasta la pared hasta que el soporte antivuelco toque la pared. Con los tornillos suministrados, ajuste el soporte antivuelco a la pared en ambos lados.
- NOTA:** No ajuste la unidad a una pared de yeso. Asegure la unidad a una superficie sólida.

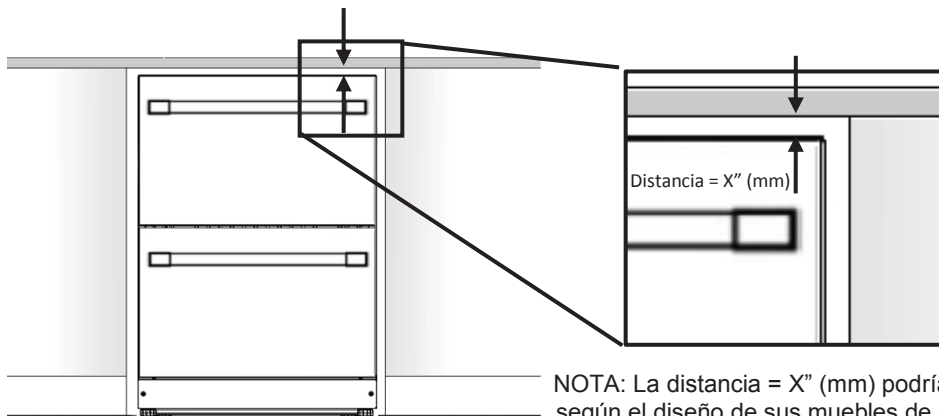


## Para uso debajo de la encimera

1. Tenga en cuenta la distancia necesaria para que el electrodoméstico esté alineado con el frente de sus muebles de cocina.

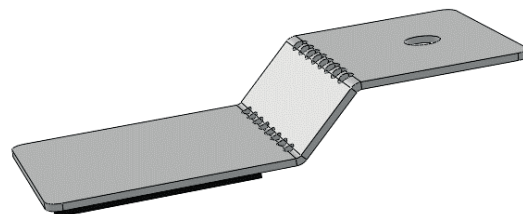
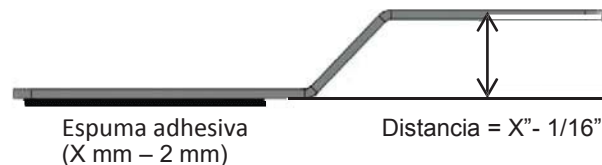
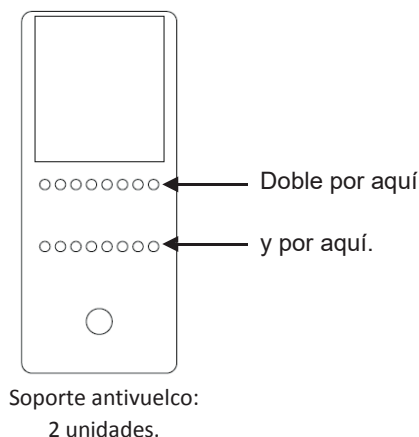


2. Tome la medida desde la parte superior del gabinete de la unidad hasta la parte inferior de la encimera. La medición "X" (mm) podría variar según el diseño de la encimera, la extensión de las patas del producto, etc.



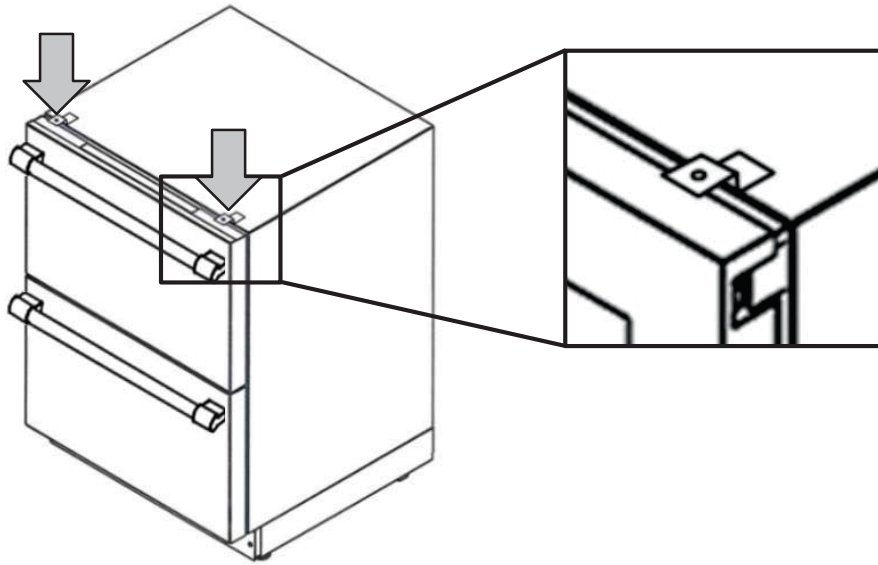
NOTA: La distancia = X" (mm) podría variar según el diseño de sus muebles de cocina.

3. Según la distancia = X" (mm) entre el electrodoméstico y la encimera, doble los soportes antivuelco incluidos con el electrodoméstico por las líneas de punto para formar un "escalón" 1/16" (2 mm) más pequeño que la distancia = X" (mm) medida.

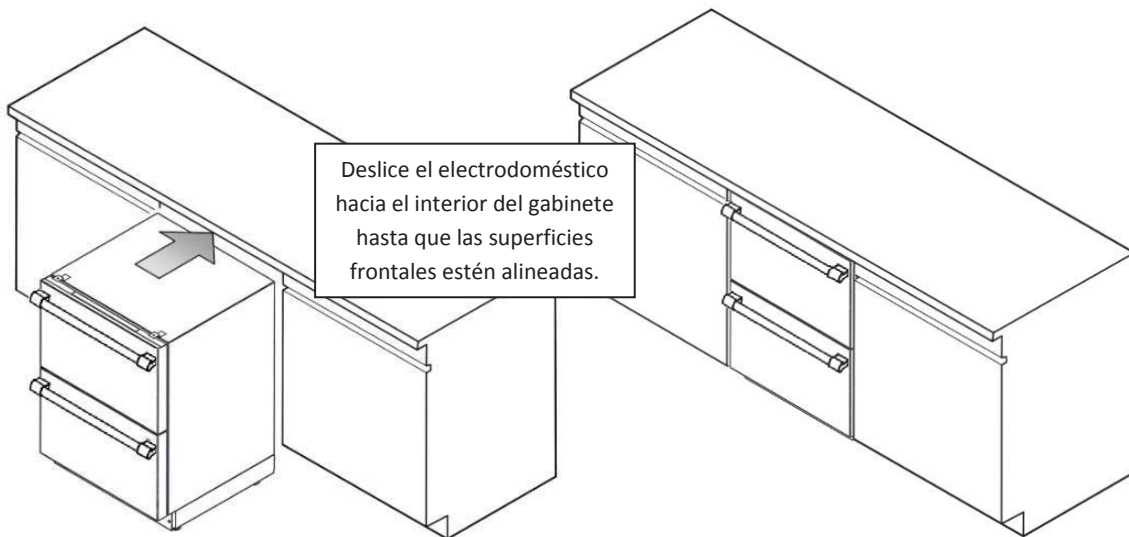


NOTA: La espuma adhesiva debe estar en la parte inferior del escalón, nunca en el lado del revés.

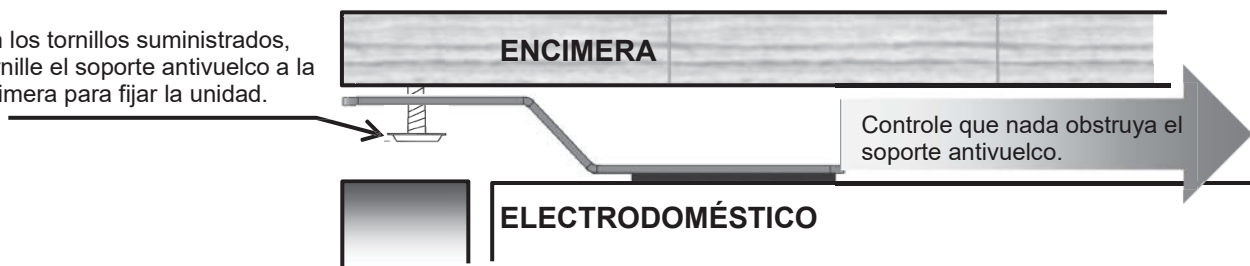
4. Despegue la espuma adhesiva y pegue el soporte antivuelco en el frente de la parte superior del gabinete del electrodoméstico, cerca de las esquinas, como se muestra en la imagen:



5. Deslice el electrodoméstico hacia el interior del gabinete hasta que la parte delantera del electrodoméstico esté alineada con la parte delantera de los muebles de cocina. Controle que nada interfiera ni obstruya el soporte antivuelco mientras lo desliza debajo de la encimera.



Con los tornillos suministrados, atornille el soporte antivuelco a la encimera para fijar la unidad.





## Instalación del panel de revestimiento

(Solo para modelos T24UR900DP)

Si piensa instalar un panel de revestimiento personalizado, deberá crear el panel usted mismo o consultar a un fabricante de gabinetes o carpintero calificado.

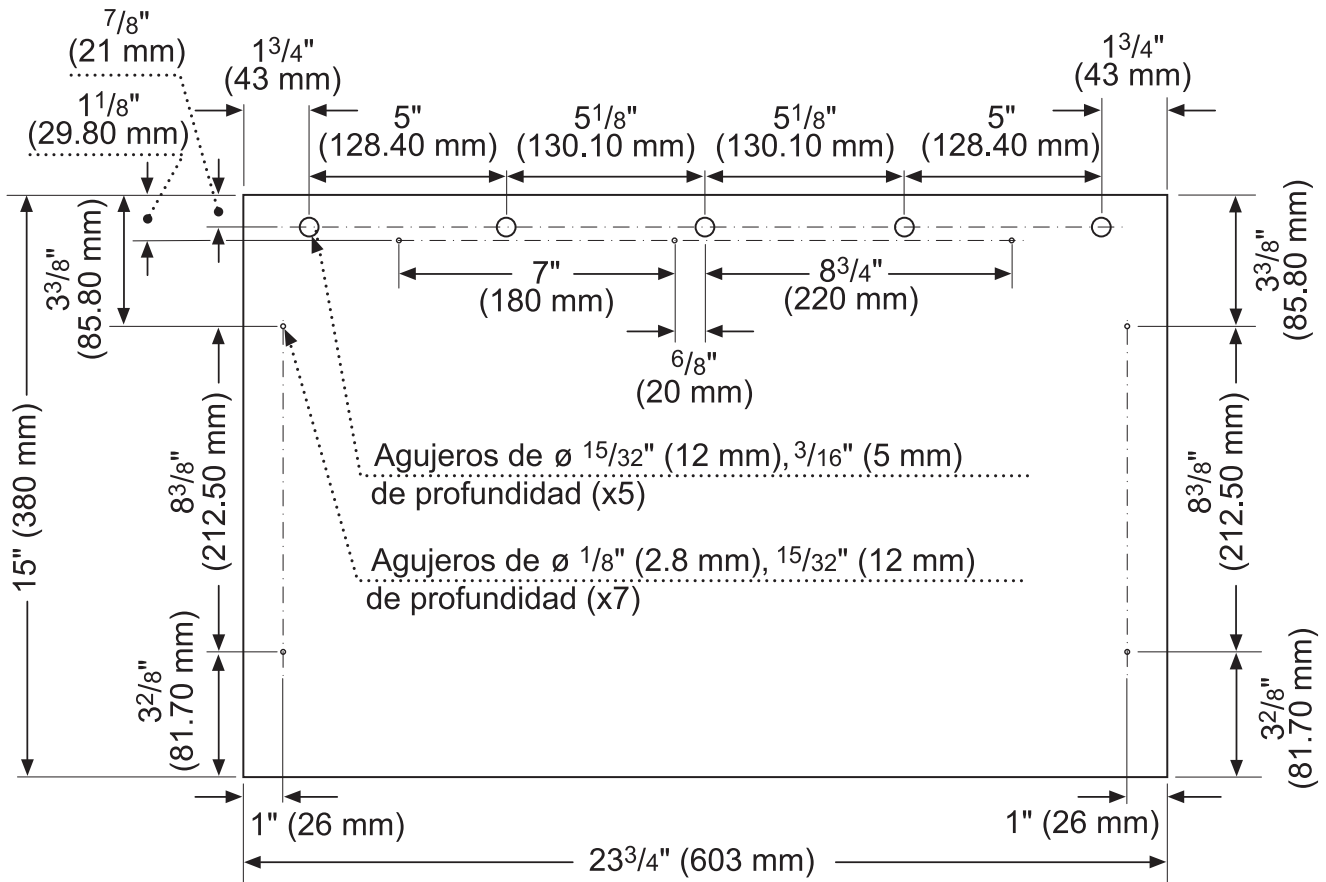
En el paquete del manual, se incluye una plantilla de tamaño completo para marcar con más facilidad el patrón de orificios.

### IMPORTANTE:

- El espesor del panel de revestimiento debe ser de  $\frac{3}{4}$ " (19 mm).
- Los paneles de revestimiento no deben pesar más de 10 lb (4.54 kg) cada uno.
- Los paneles de revestimiento que pesen más de lo recomendado pueden causar daños a su electrodoméstico.
- Para instalar el panel, utilice únicamente los tornillos incluidos en el "Kit de instalación".

Cree el panel de revestimiento personalizado a partir de las dimensiones que se muestran.

**NOTA 1:** Los cajones superior e inferior utilizan el mismo panel.

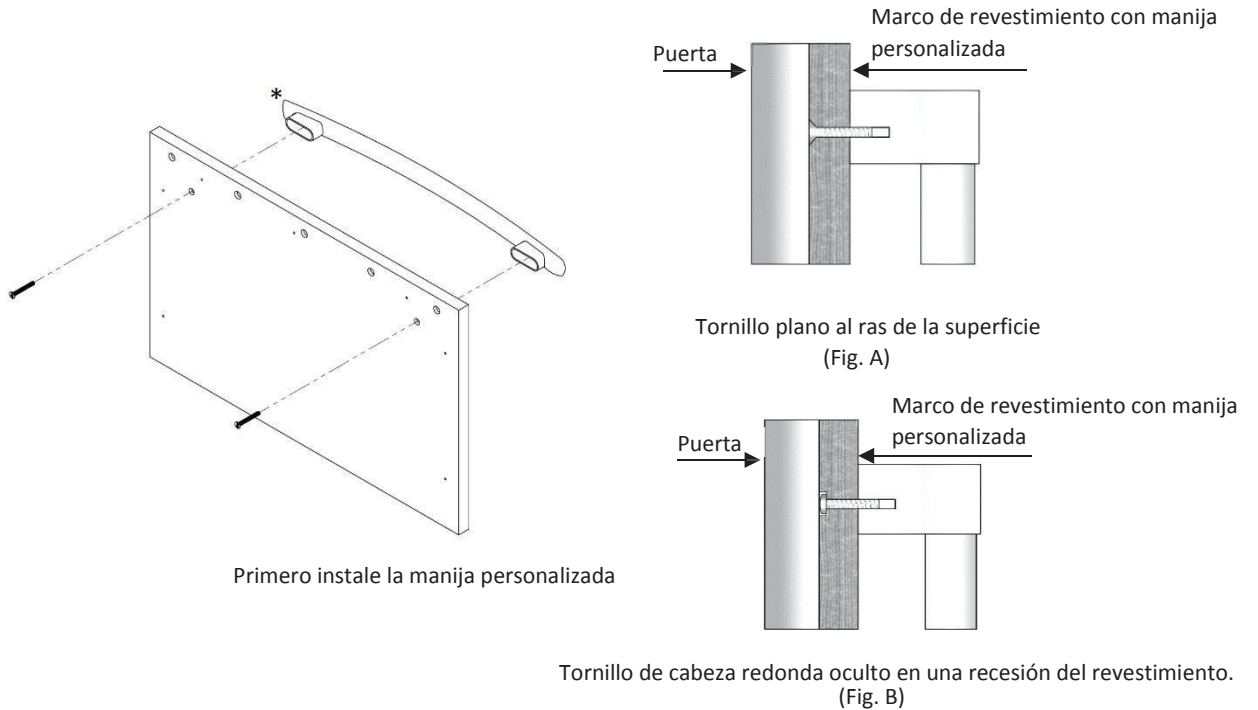


Nota:

1. Los agujeros de  $\varnothing 1\frac{5}{32}$ " (12 mm) solo son necesarios en el panel superior. En el panel inferior no es necesario realizar estos agujeros.
2. El panel de cubierta debe tener un grosor de  $\frac{3}{4}$ " (19 mm).
3. El panel de cubierta no debe pesar más de 4.54 kg (10 lb).
4. Un panel de cubierta de un peso mayor al recomendado podría conllevar daños en el aparato.
5. Se recomienda recurrir a la ayuda de una segunda persona para el montaje del panel.
6. Para un montaje más sencillo del panel, utilice las herramientas recomendadas en el manual de montaje. La utilización de herramientas inadecuadas o el incumplimiento de la recomendación de recurrir a la ayuda de una segunda persona pueden conllevar daños en el panel o en el aparato.

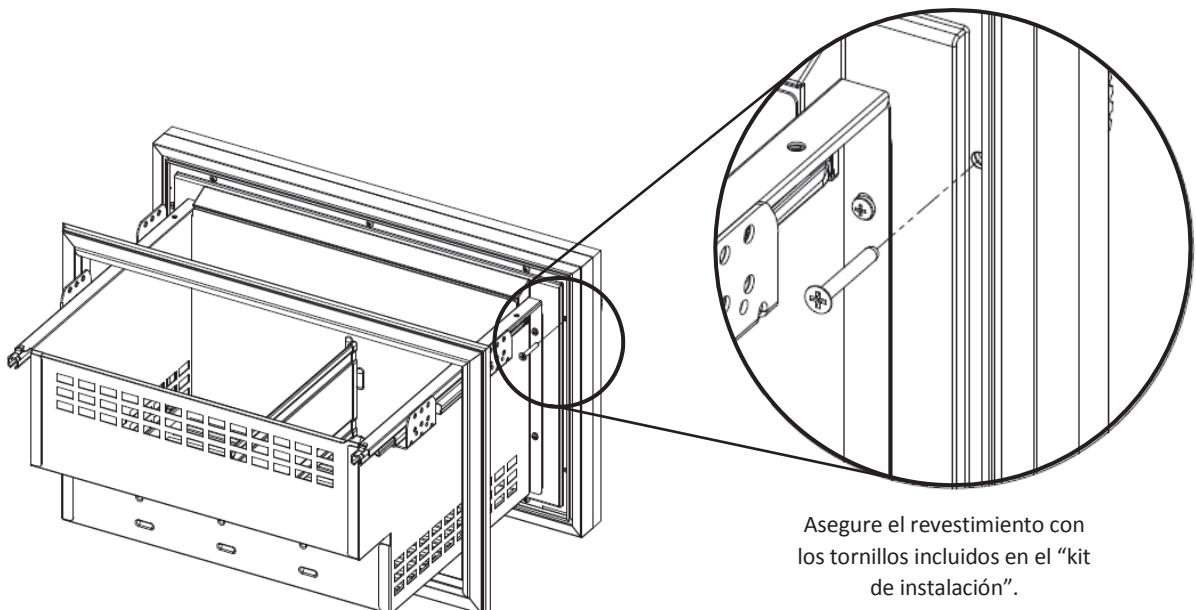
Dimensiones en pulgadas (mm)

1. Instale la manija personalizada de su preferencia en el panel de revestimiento antes de instalar el panel en el cajón.
  - Todas las manijas personalizadas son diferentes y es responsabilidad del cliente hacer los ajustes necesarios para colocar la manija en el panel de revestimiento.
  - Los tornillos utilizados para fijar la manija personalizada al plano deben ser planos y quedar al ras de la superficie del panel (fig. A); si los tornillos no son planos, piense en hacer una recesión en el recubrimiento lo suficientemente grande como para ocultar la cabeza del tornillo por debajo de la superficie del recubrimiento; de lo contrario, los tornillos interferirán con la correcta colocación del recubrimiento en el cajón (fig. B).



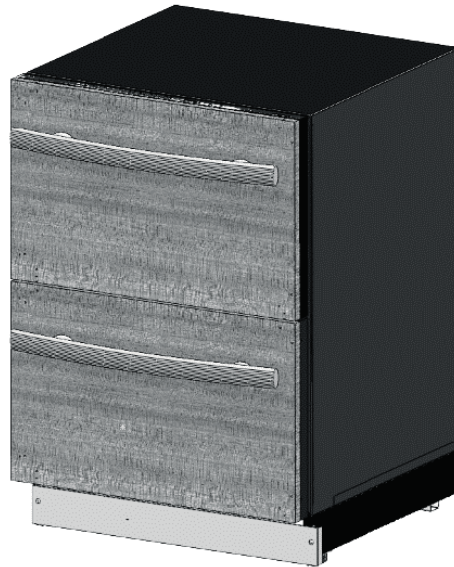
2. Retire la junta de las esquinas superiores de la puerta tirando de ella suavemente. Debajo de la junta se encuentra la espuma aislante; tire de la espuma lo suficiente como para acceder al tornillo que se encuentra abajo. No es necesario retirar toda la junta ni toda la espuma; solo una porción suficiente como para poder acceder al tornillo. Luego, retire los tornillos. Ya no los necesitará.

Con los tornillos incluidos en el "kit de instalación", asegure el panel de revestimiento atornillándolo desde el interior del cajón a través del mismo orificio que dejó el tornillo que se retiró hasta que el panel esté sujeto con firmeza al cajón.



3. Después de asegurar el revestimiento al cajón, vuelva a colocar la junta en su lugar presionándola contra su canal en el cajón hasta que toda la junta esté pareja y en su lugar.

Repita los mismos pasos para el otro cajón. Los paneles de revestimiento ya están listos.



## Información de Atención al cliente

En caso de necesitar reparaciones, comuníquese con su distribuidor o un centro de servicio autorizado. No intente reparar el electrodoméstico usted mismo. Cualquier trabajo realizado por personal no autorizado podría anular la garantía. Si el problema persiste, tome las siguientes medidas (en el orden que se indica a continuación) hasta que el problema se haya corregido a su gusto.

1. Comuníquese con su distribuidor o el Centro de servicio autorizado de Thermador de su área.
2. Envíenos un correo desde la sección Customer Service (Atención al cliente) de nuestro sitio web, [www.Thermador.com](http://www.Thermador.com).
3. Escribanos a la siguiente dirección:

**BSH Home Appliances Corporation**  
**1901 Main Street, Suite 600**  
**Irvine, CA 92614**

4. Llámenos al: 1-800-735-4328

Asegúrese de incluir (si nos escribe) o de tener a mano (si nos llama) la siguiente información:

- Número de modelo
- Número de serie
- Fecha de compra original
- Fecha en que se originó el problema
- Explicación del problema

Además, si nos escribe, asegúrese de incluir un número de teléfono al que podamos llamarlo durante el día. (Encontrará el número de modelo y el número de serie en la etiqueta que se encuentra en el lado derecho del compartimiento inferior).

## **Etiqueta de clasificación de datos**

La etiqueta de clasificación de datos muestra el modelo y el número de serie de su electrodoméstico. Se encuentra en el lado derecho del compartimiento inferior.

## **Información de servicio**

Para tenerla como referencia a mano, copie la información en el siguiente formulario de la placa de clasificación de datos que se encuentra en el lado derecho del compartimiento inferior. Conserve su factura para que la garantía tenga validez.

Número de modelo \_\_\_\_\_

Número de serie \_\_\_\_\_

Fecha de compra \_\_\_\_\_

Nombre del distribuidor \_\_\_\_\_

Número de teléfono del distribuidor \_\_\_\_\_

Nombre del Centro de servicio \_\_\_\_\_

Número de teléfono del Centro de servicio \_\_\_\_\_



**IMPORTANT :** Avant de commencer, veuillez lire attentivement toutes ces consignes.

**INSTALLATEUR :** Veuillez remettre ce manuel au propriétaire pour consultation ultérieure.

**PROPRIÉTAIRE :** Conservez ces consignes d'installation pour consultation ultérieure et pour l'inspecteur local en électricité.

## Table des matières

<b>Consignes de sécurité importantes .....</b>	<b>39</b>
- Inspection du réfrigérateur	
<b>Outils requis pour l'installation .....</b>	<b>40</b>
<b>Matériel compris .....</b>	<b>40</b>
<b>Installation de l'appareil .....</b>	<b>41</b>
- Transport	
- Mesures générales	
- Lieu d'installation	
- Installation côte à côte	
<b>Aération .....</b>	<b>45</b>
<b>Branchement de l'appareil .....</b>	<b>45</b>
- Raccordement électrique	
<b>Installation du support antibasculement .....</b>	<b>47</b>
<b>Installation du panneau de revêtement .....</b>	<b>51</b>
<b>Renseignements sur le service à la clientèle ....</b>	<b>53</b>

## **Consignes de sécurité importantes**

LIRE ET CONSERVER CES CONSIGNES!

**Ces consignes d'installation sont destinées aux installateurs qualifiés.**


**En plus de ces consignes, l'appareil doit être installé :**

- Aux États-Unis, conformément au Code national de l'électricité, aux codes municipaux et de l'état, et/ou aux codes locaux.
- Au Canada, conformément à la plus récente édition du Code canadien de l'électricité C22.1, aux codes municipaux et provinciaux, et/ou aux codes locaux.

**Veillez respecter toutes les mises en garde énoncées.**

Portez attention aux triangles dans lesquels se trouve un point d'exclamation.


 **MISE EN GARDE :**  
Ceci indique que des blessures graves voire mortelles peuvent découler du non-respect de cette mise en garde.

 **ATTENTION :**  
Ceci signifie qu'un risque de blessures légères à moyennement graves peut survenir si cette mise en garde n'est pas respectée.

**REMARQUE :**

Ceci est utilisé pour attirer l'attention de l'utilisateur à quelque chose en particulier.

**Avertissements de la Proposition 65  
de l'État de la Californie**

 **AVERTISSEMENT**

Ce produit peut vous exposer à des produits chimiques, comme du chlorure de vinyle, reconnus par l'État de la Californie comme causant le cancer, des malformations congénitales ou d'autres effets nocifs sur la reproduction. Pour de plus amples renseignements, consultez [www.P65Warnings.ca.gov](http://www.P65Warnings.ca.gov).

## **Important**

- **NOUVELLE INSTALLATION** – Si l'appareil est une nouvelle installation, une grande partie du travail doit être effectuée avant de mettre l'appareil en place.
- **REMPACEMENT** – Si l'appareil sert à remplacer un autre appareil, les raccordements de l'appareil qui sont remplacés **doivent faire l'objet d'une vérification de compatibilité** avec le nouvel appareil et être remplacés si nécessaire.

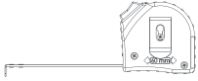
## **Inspection du réfrigérateur**

Retirez le ruban adhésif, l'emballage et les housses de plastique.

Après avoir déballé l'appareil et avant l'installation, inspectez minutieusement le réfrigérateur au cas où il aurait été endommagé durant le transport ou comporterait des dommages cosmétiques. Signalez immédiatement tous les dommages.

**REMARQUE :** Veuillez ne pas jeter les sacs ou articles compris dans l'emballage original avant d'avoir terminé l'installation!

## Outils requis pour l'installation



Ruban à mesurer



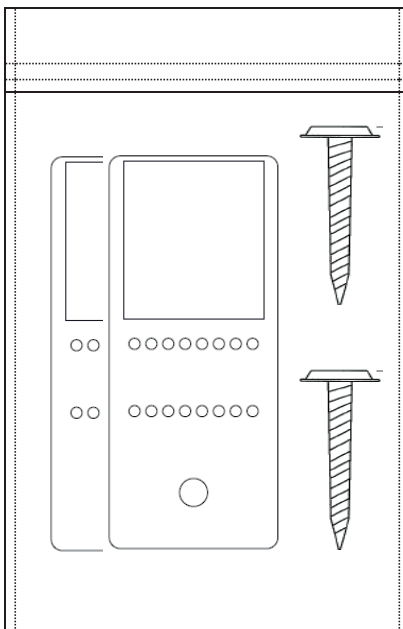
Tournevis cruciforme



Niveau

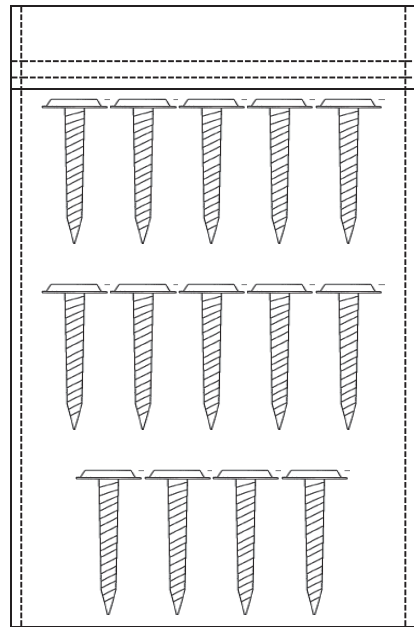
Ce sont les outils dont vous aurez besoin pour l'installation de l'appareil. Cependant, si vous devez modifier le comptoir ou l'aménagement pour mettre l'appareil en place, vous pourriez avoir besoin d'autres outils pour effectuer les modifications au comptoir/à l'aménagement avant d'installer l'appareil.

## Matériel compris



Support antibasculement. 2 pièces.  
Vis : 2 pièces.

1 mousse isolante (non illustrée) de 20 ½ po  
(520 mm) x 29 1/8 po (740 mm) x 1/8 po (3 mm)



Trousse d'installation  
Vis longues : 14 pièces

**UNIQUEMENT POUR LES MODÈLES T24UR900DP.**



## Installation de l'appareil

Une grande partie du travail doit être effectuée avant que le réfrigérateur ne soit mis en place.

Demandez à un technicien qualifié d'installer et de raccorder l'appareil conformément aux consignes d'installation comprises.



### MISE EN GARDE :

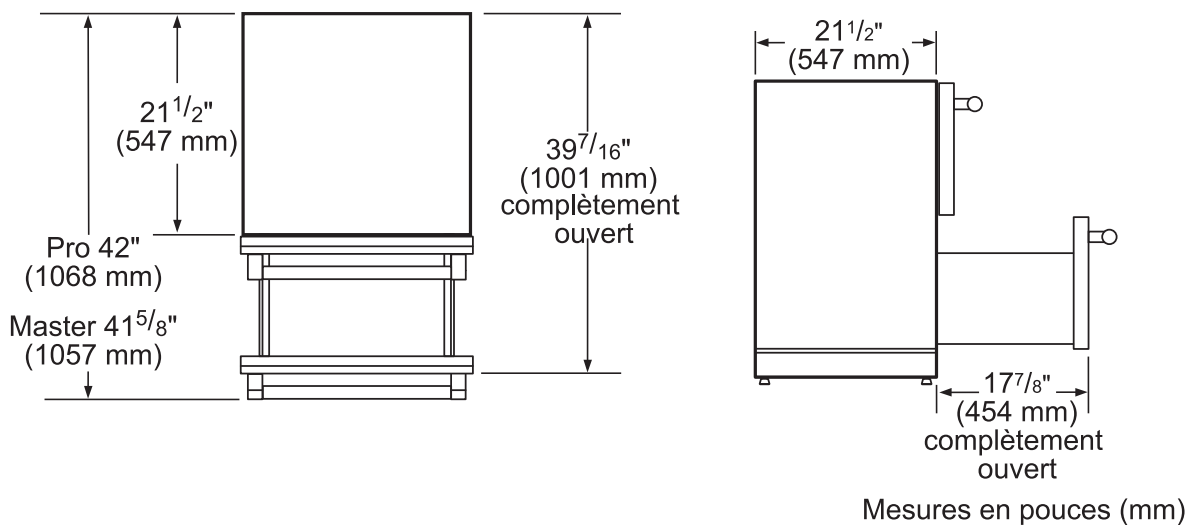
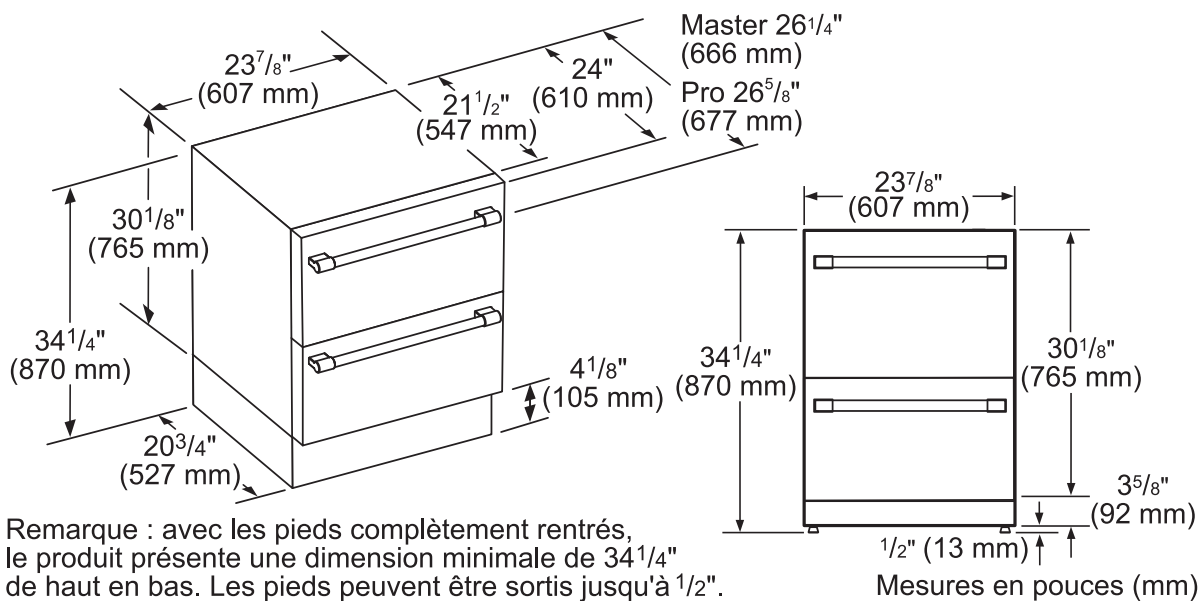
N'installez pas cet appareil :

- À l'extérieur
- Dans un endroit où l'eau dégoutte
- Dans une pièce où il y a risque de gel

### Transport

L'appareil est lourd et doit être manipulé avec précaution durant le transport et l'installation. En raison du poids et des dimensions de cet appareil, la présence d'au moins deux personnes est nécessaire pour mettre l'appareil en place en toute sécurité et éviter les blessures ou les dégâts matériels.

### Mesures générales



## Lieu d'installation

Une pièce bien aérée où l'air est sec convient à l'installation. Le lieu d'installation ne doit pas être exposé directement aux rayons du soleil et se trouver à proximité d'une source de chaleur, p. ex., une cuisinière, un radiateur, etc.

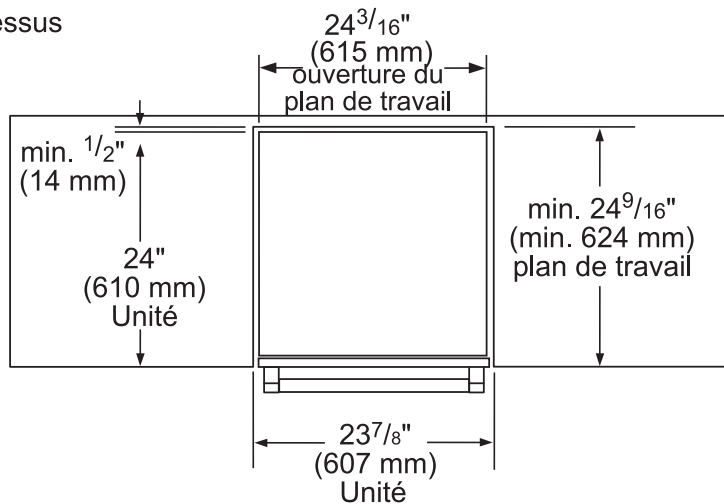
Si l'installation se trouve à proximité d'une source de chaleur, utilisez une plaque isolante adéquate ou respectez la distance minimum entre l'appareil et la source de chaleur :

- Cuisinière/four à gaz ou électrique 1 ¼ po (3 cm).
- Cuiseur à l'huile ou au charbon 11 13/16 po (30 cm).
- Autre réfrigérateur ou cellier 1 po (2,54 cm).

Le plancher du lieu d'installation doit être capable de résister au poids de l'appareil. Si nécessaire, renforcez le plancher. L'appareil doit être à la verticale et de niveau pour fonctionner correctement.

Pour des raisons d'esthétique et de fonctionnement adéquat de l'appareil, l'ouverture réservée au compartiment doit être carrée et ses dimensions doivent être telles qu'indiquées ci-dessous.

Vue du dessus

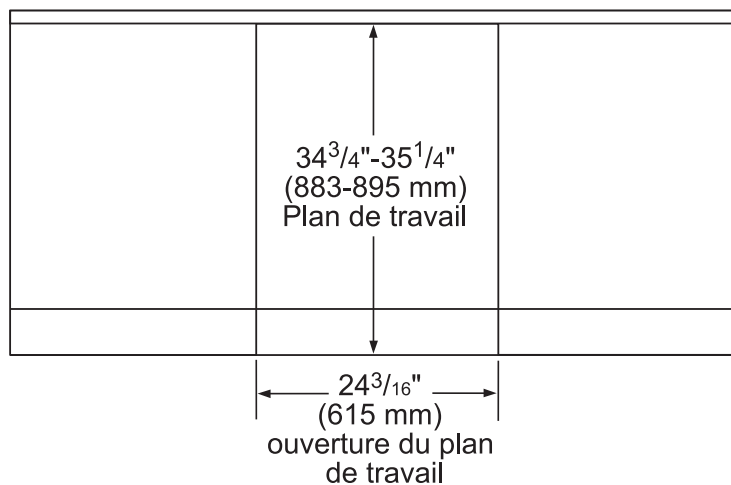


Dimensions du double-tiroir Thermador sous la surface de travail.

(Porte de l'unité affleurant avec la découpe)

Mesures en pouces (mm)

Vue de face

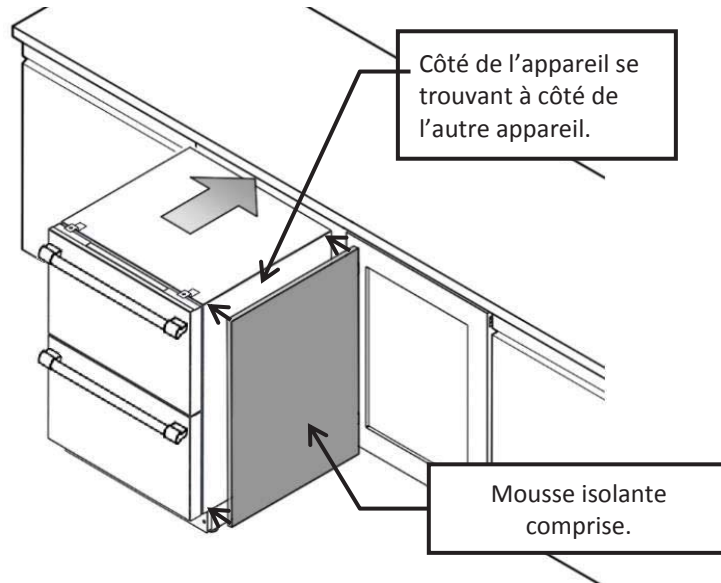


Mesures en pouces (mm)

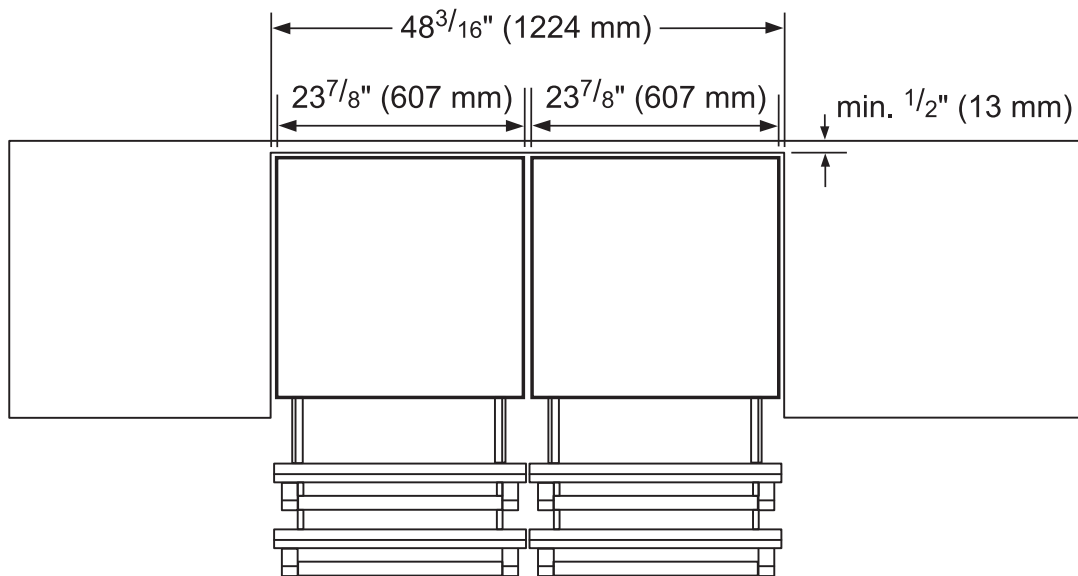
## Installation côte à côte

L'appareil peut être installé à côté d'un autre appareil Thermador. Veuillez respecter les dimensions et les remarques pour installer correctement l'appareil à côté d'un autre.

**REMARQUE :** Avant de mettre l'appareil dans sa niche, collez la mousse isolante (comprise) sur le côté de l'appareil qui sera placé à côté de l'appareil supplémentaire. Veillez à ce que la mousse isolante soit de niveau avec la surface de l'appareil et qu'il n'y ait pas de bulles ou de bosses sur la mousse isolante après l'avoir collée sur l'appareil.

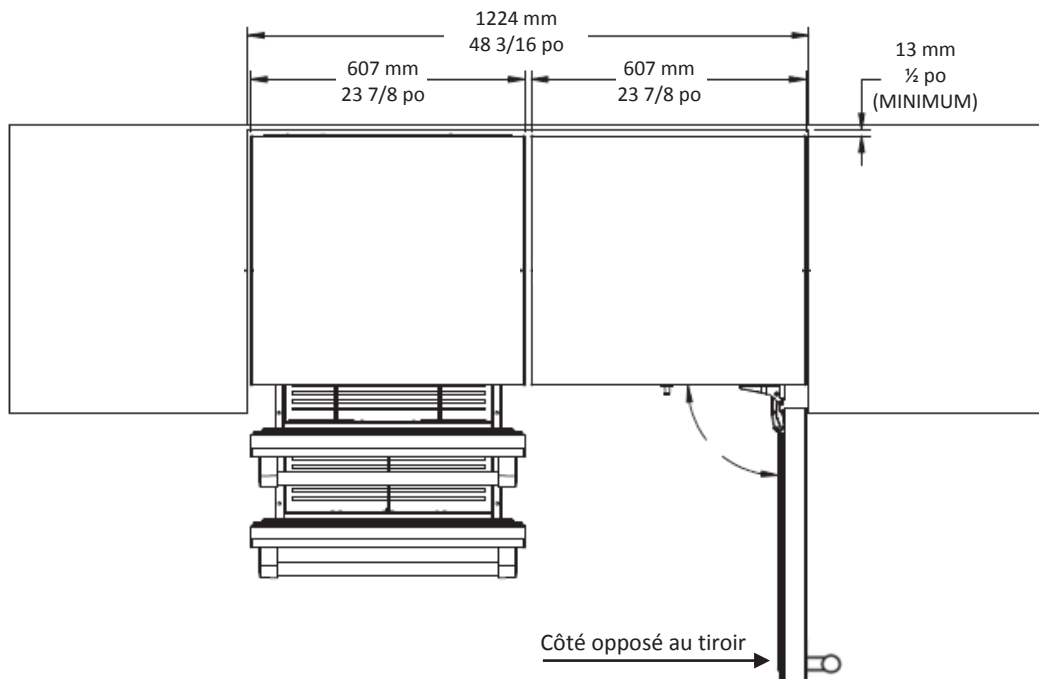


## Deux réfrigérateurs à double tiroir côte à côte.

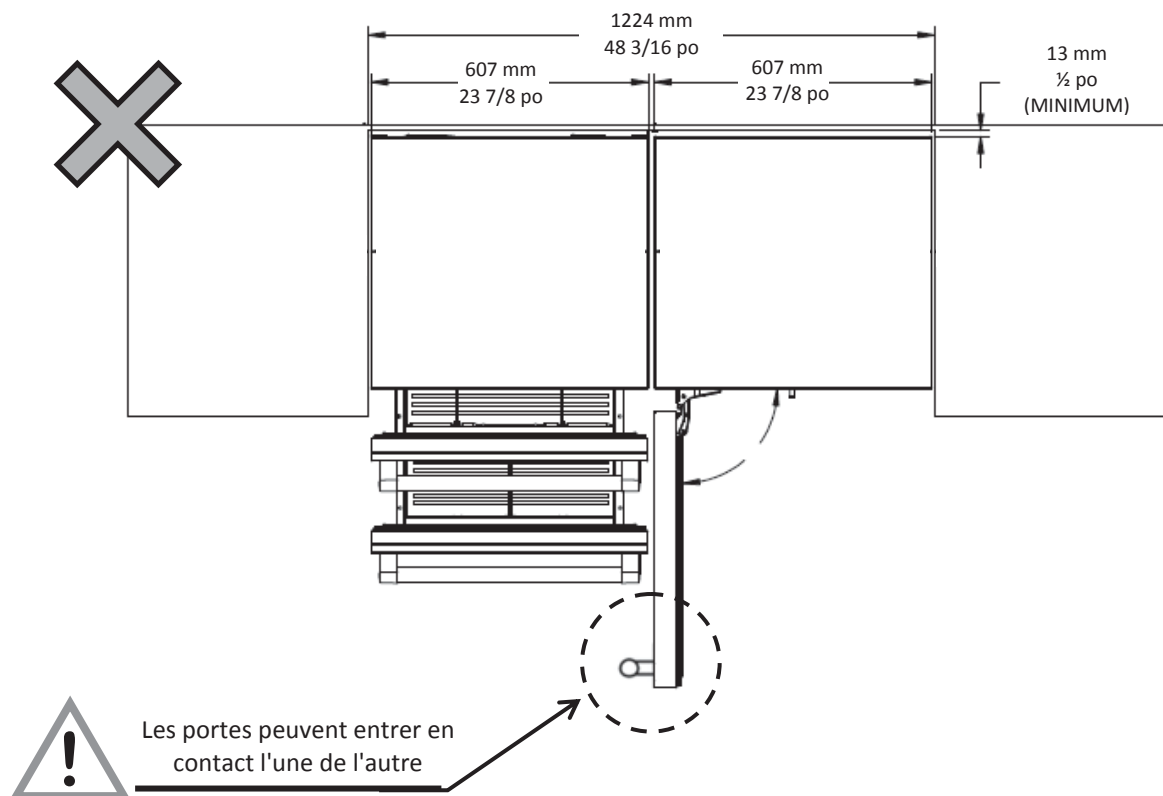


Mesures en pouces (mm)

**Un réfrigérateur à double tiroir et 1 appareil à porte battante :** L'ouverture de la porte devrait être du côté opposé au double tiroir pour éviter toute interférence ou tout dommage de contact.



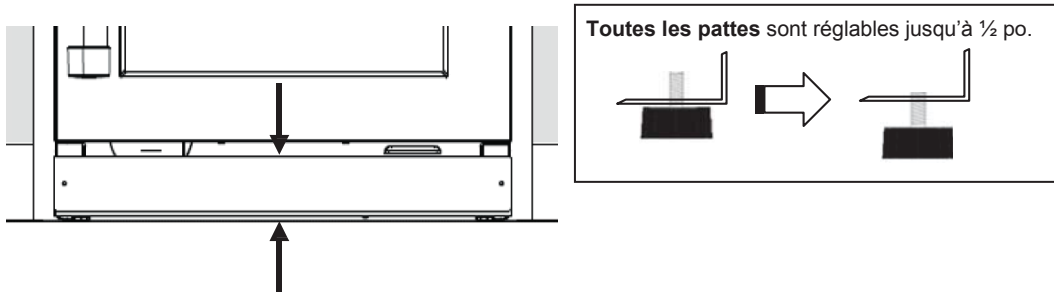
**Ne placez pas un appareil à porte battante avec l'ouverture de la porte à droite, à côté du double tiroir.** Les tiroirs et la porte peuvent entrer en contact et endommager les appareils.



## Aération

Le réfrigérateur est aéré uniquement à la base, au niveau du bandeau de socle. Ne couvrez jamais cette partie ou placez un objet devant. Cela pourrait nuire au rendement du système de refroidissement de l'appareil et augmenter la consommation d'électricité.

En outre, veillez à ce que les **4 pattes de nivellement soient déployées** (la hauteur de l'appareil est d'environ 34 ¾ po) afin que la circulation d'air soit suffisante sous l'appareil.



## Branchement de l'appareil

Après avoir installé l'appareil, attendez au moins une heure avant de le mettre en marche. Durant le transport, l'huile du compresseur a peut-être coulé dans le système de réfrigération.

Avant de mettre l'appareil en marche pour la première fois, nettoyez l'intérieur de l'appareil (consultez la rubrique « **Nettoyage de l'appareil** » dans le guide d'utilisation et d'entretien).

## Raccordement électrique



### MISE EN GARDE :

Ces consignes d'installation sont destinées aux installateurs qualifiés.



### MISE EN GARDE :

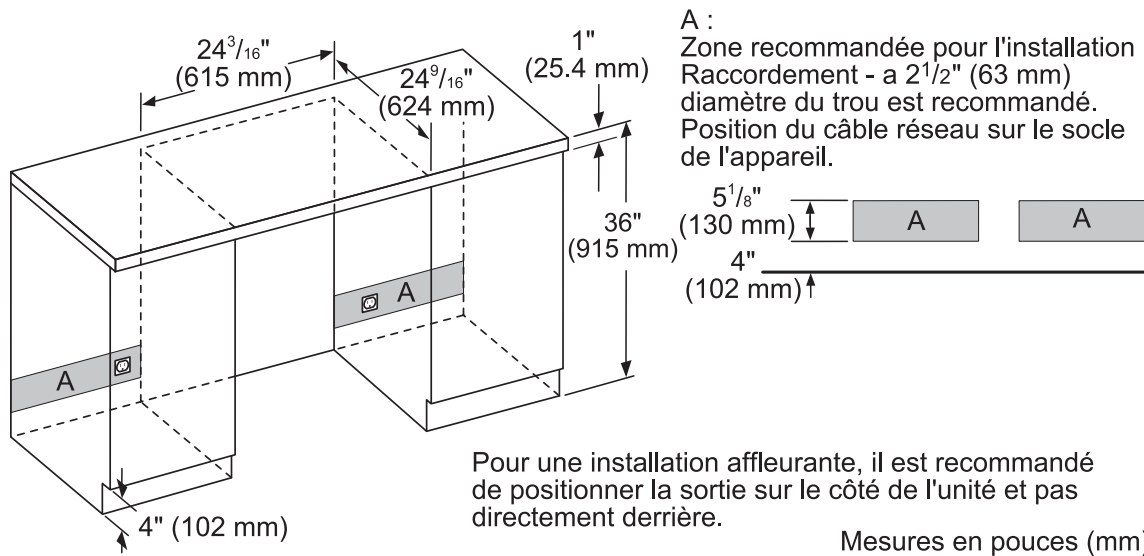
Évitez tout risque d'électrocution!  
Insérez dans une prise de courant mise à la terre.  
Ne retirez jamais la prise de terre.  
N'utilisez pas d'adaptateur.  
N'utilisez pas de rallonge.



### MISE EN GARDE :

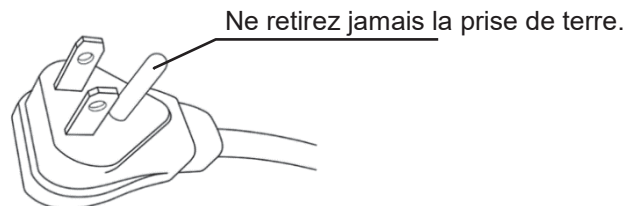
Il incombe au client de veiller à ce que l'installation de l'appareil soit conforme à tous les codes et ordonnances électriques locaux et nationaux. Le non-respect de ces consignes peut causer la mort, un incendie ou une électrocution.

La prise de courant doit se trouver à proximité de l'appareil, 61 po (1550 mm) à droite de l'appareil ou 37 po (940 mm) à gauche de l'appareil, et être facilement accessible suite à l'installation de l'appareil.



L'appareil est conforme à la protection de classe I. Branchez l'appareil dans une prise de courant alternatif de 115 V/60 Hz correctement installée et avec une borne de mise à la terre.

L'appareil est livré équipé d'un cordon d'alimentation à trois fils homologué UL de type NEMA 5-15p. L'appareil requiert une prise à trois pôles.



### ⚠ MISE EN GARDE :

Ne branchez jamais l'appareil dans une prise permettant d'économiser l'énergie.

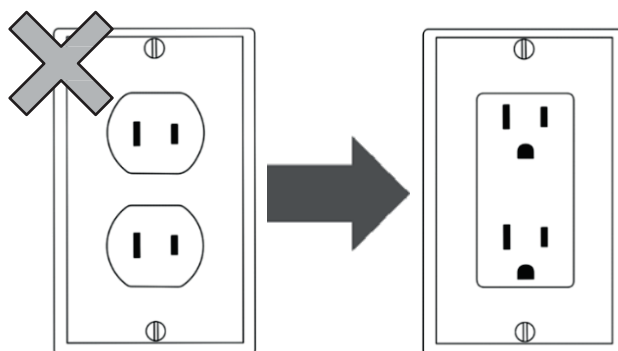
Cet appareil peut être utilisé avec des onduleurs sinusoïdaux et de réseaux. Les onduleurs contrôlés par les réseaux sont utilisés pour les systèmes photovoltaïques raccordés directement au réseau national.

Les onduleurs sinusoïdaux doivent être utilisés pour des applications isolées (p. ex., sur les navires ou dans les cabines en montage) qui ne sont pas directement raccordées au réseau national.

L'appareil requiert une prise à trois pôles. La prise doit être raccordée par un électricien qualifié seulement.

Lorsqu'une fiche mâle standard bipolaire est disponible, il incombe au client de la remplacer par une fiche mâle tripolaire adéquatement reliée à la terre. N'utilisez pas d'adaptateur de fiche.

Veillez à ce que le réfrigérateur à porte vitrée se trouve à proximité d'une prise de courant accessible.



La prise de courant standard à deux pôles doit être remplacée par une prise de courant à trois pôles mise à la terre. N'utilisez pas d'adaptateur.

## Installation des supports antibasculement

L'appareil comprend deux supports antibasculement. Si votre aménagement n'est pas conçu pour les dimensions spécifiques de votre appareil, ou si vous prévoyez utiliser l'appareil de façon autonome, vous devez utiliser ces supports pour éviter que l'appareil ne bascule en raison d'un déséquilibre de poids lorsque les deux tiroirs sont ouverts à la fois.

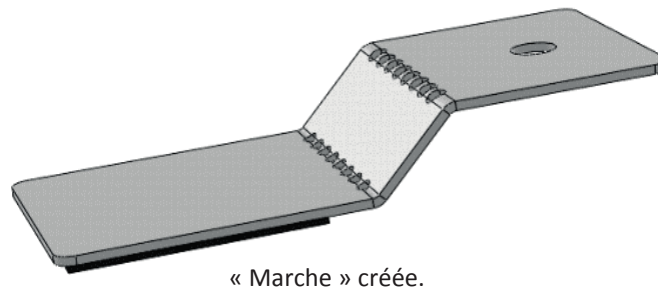
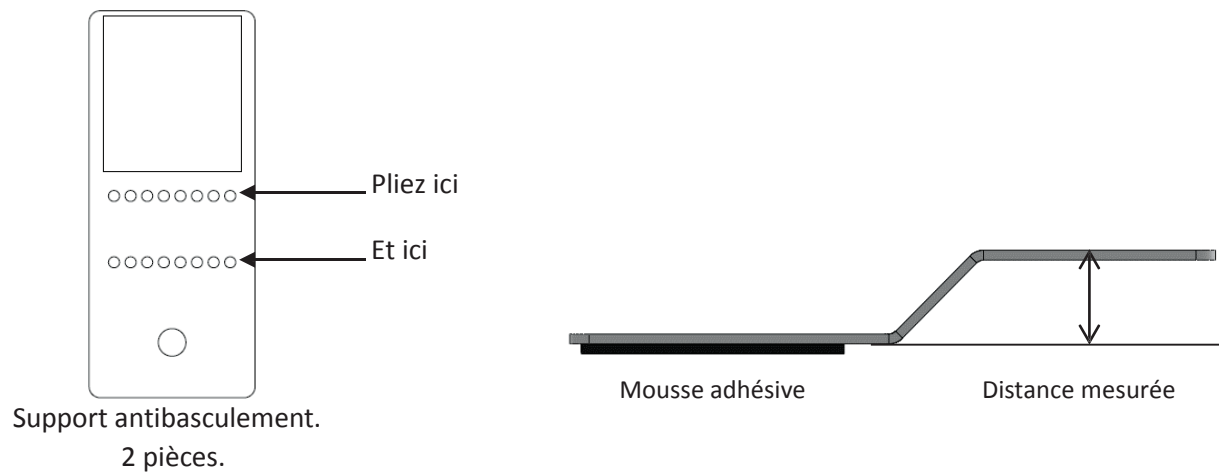


### MISE EN GARDE :

Pour éviter que l'appareil ne bascule en raison d'un déséquilibre de poids, n'ouvrez pas les deux tiroirs en même temps. Fermez toujours un tiroir avant d'ouvrir l'autre.

### Usage autonome

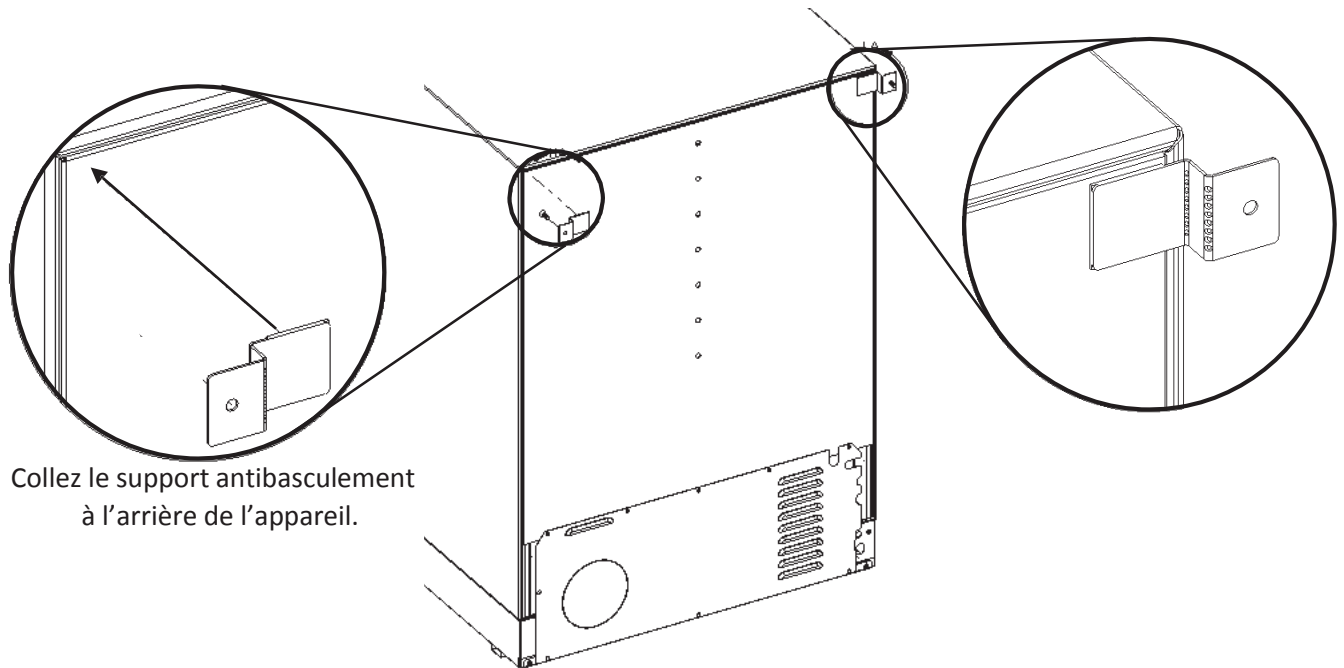
1. Considérez la distance nécessaire pour que l'appareil soit vis-à-vis le devant de votre aménagement. S'il n'y a pas d'aménagement, mettez l'appareil près du mur, puis mesurez l'espace à l'arrière entre l'appareil et le mur.
2. Selon la distance mesurée entre l'arrière de l'appareil et le mur, pliez le support antibasculement (compris avec l'appareil) à partir des lignes pointillées pour créer une « marche » avec la distance mesurée.



« Marche » créée.

**REMARQUE :** La mousse adhésive doit se trouver dans le fond de la marche, et non sur le côté inverse.

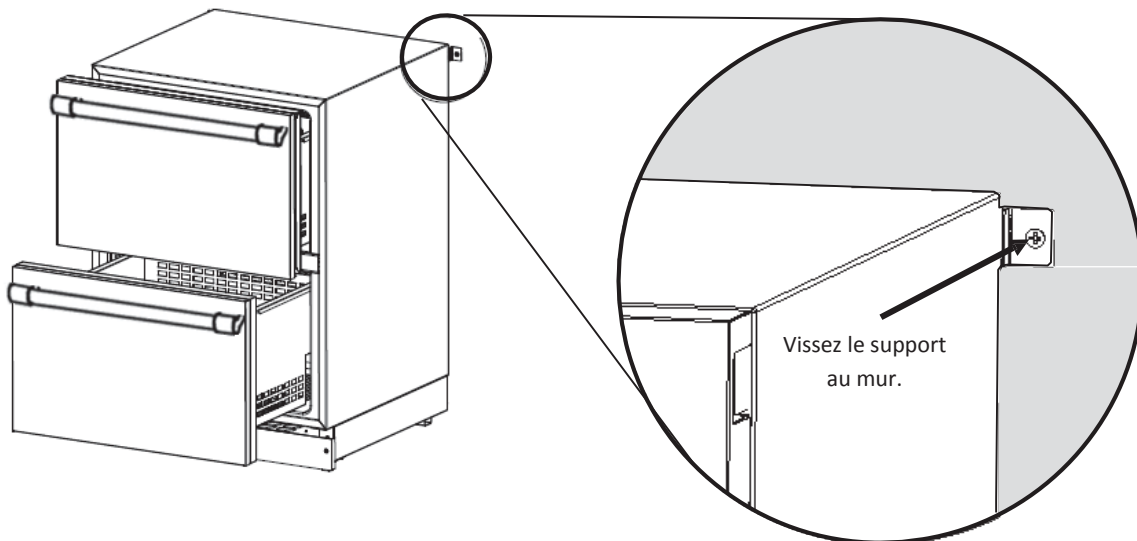
3. Pelez la mousse adhésive et collez le support antibasculement des deux côtés à l'arrière de l'appareil, tel qu'illustré ci-dessous.



4. Après avoir collé les supports antibasculement à l'arrière de l'appareil, faites glisser l'appareil vers le mur jusqu'à ce que le support antibasculement touche au mur.

À l'aide des vis fournies, fixez le support antibasculement au mur des deux côtés.

**REMARQUE :** Ne fixez pas l'appareil à une cloison sèche. Fixez l'appareil sur une surface solide.

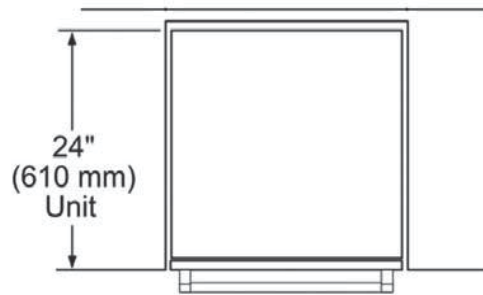


Répétez la procédure de l'autre côté.

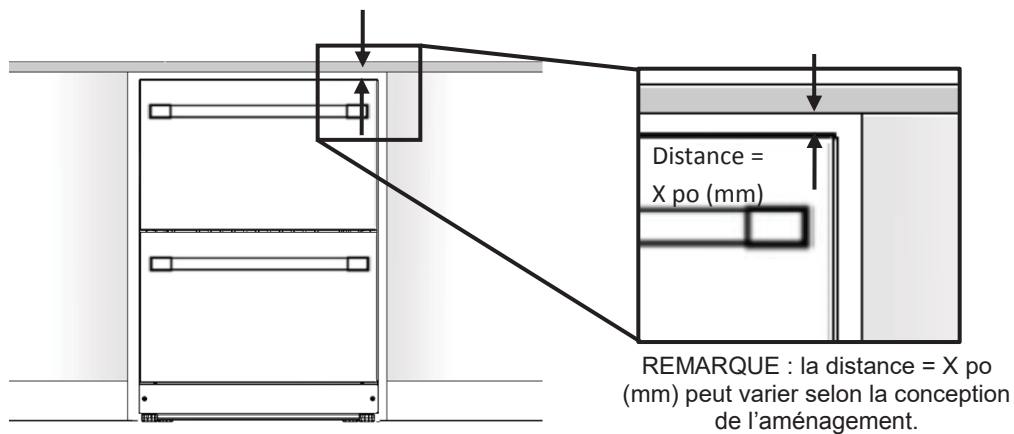


## Installation sous le comptoir

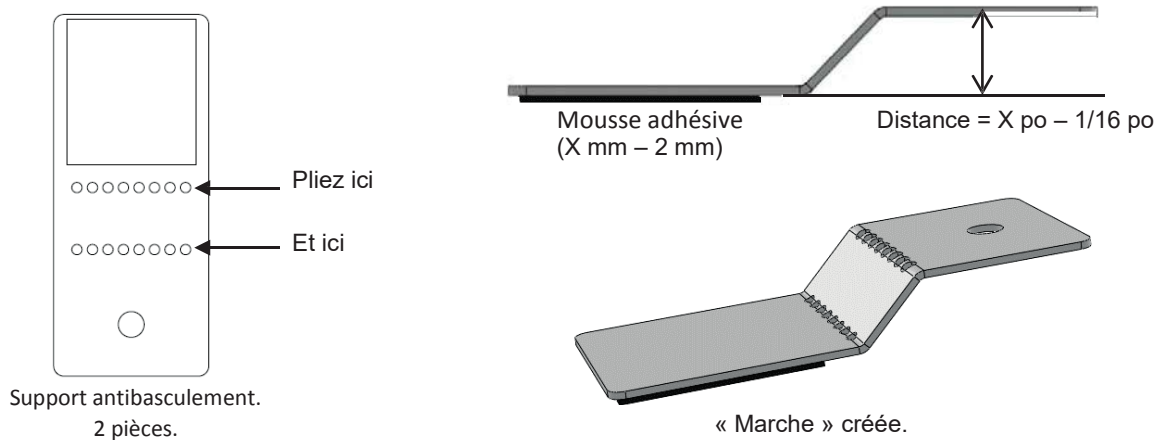
1. Considérez la distance nécessaire pour que l'appareil soit vis-à-vis le devant de votre aménagement.



2. Mesurez la distance entre le dessus de l'appareil et le dessous du comptoir. La mesure X po (mm) peut varier selon la conception du comptoir, la rallonge des pattes de l'appareil, etc.

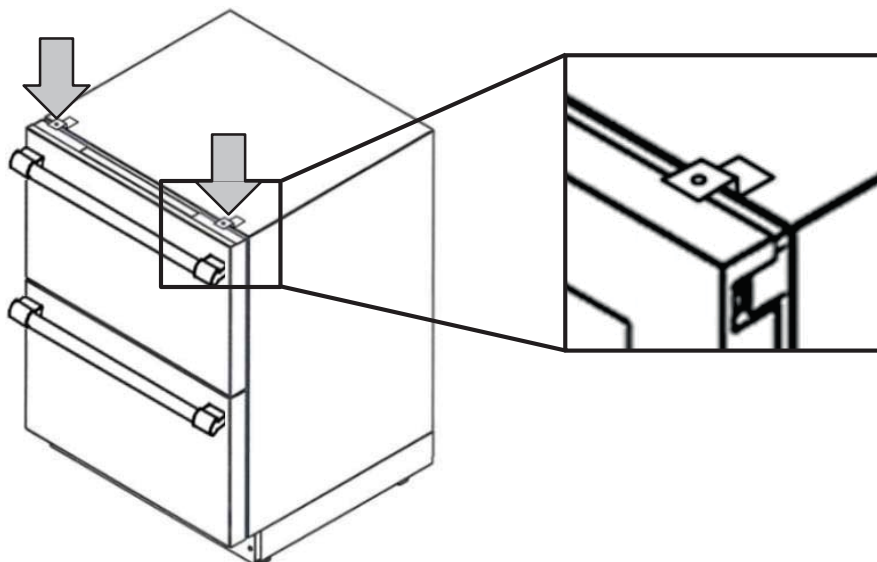


3. Selon la distance = X po (mm) entre l'appareil et le comptoir, pliez les supports antibasculement compris avec l'appareil sur les lignes pointillées afin de former une « marche » de 1/16 po (2 mm) plus petite que la distance = X po (mm) mesurée.

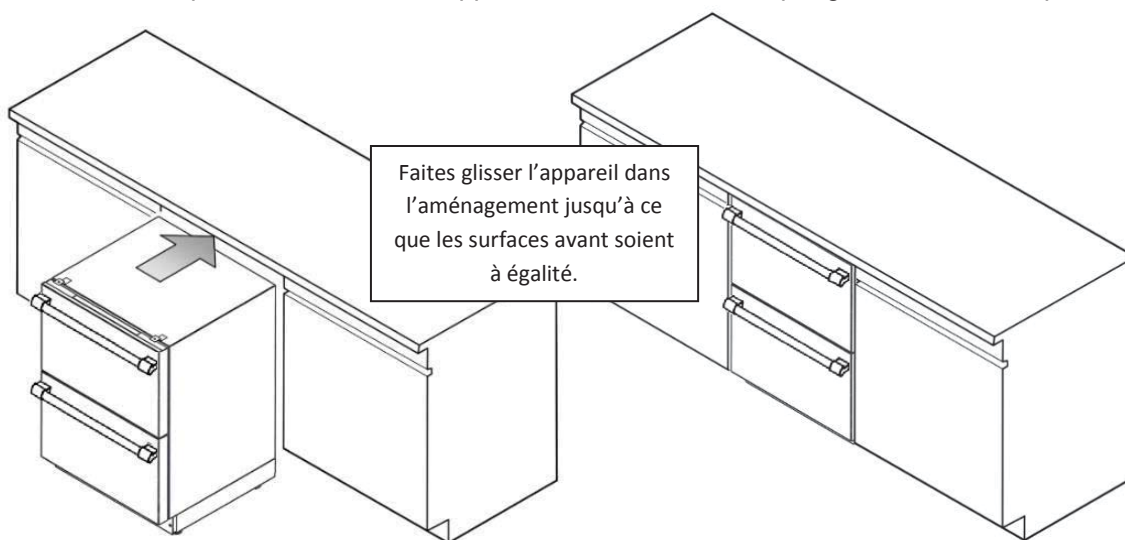


**REMARQUE :** La mousse adhésive doit se trouver dans le fond de la marche, et non sur le côté inverse.

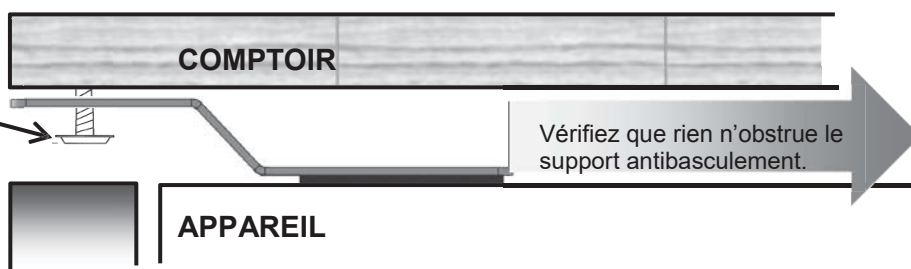
4. Pelez la mousse adhésive et collez le support antibasculement à l'avant, sur le dessus du meuble de l'appareil, près des coins, tel qu'illustré ci-dessous :



5. Faites glisser l'appareil dans l'aménagement jusqu'à ce que le devant de l'appareil soit vis-à-vis le devant de l'aménagement. Vérifiez que rien n'obstrue le support antibasculement lorsqu'il glisse sous le comptoir.



Vissez le support antibasculement au comptoir pour fixer l'appareil.



## Installation du panneau de revêtement

(Modèles T24UR900DP seulement)

Si vous prévoyez installer un panneau de revêtement sur mesure, vous devez créer ce panneau vous-même ou faire appel à un ébéniste ou un menuisier.

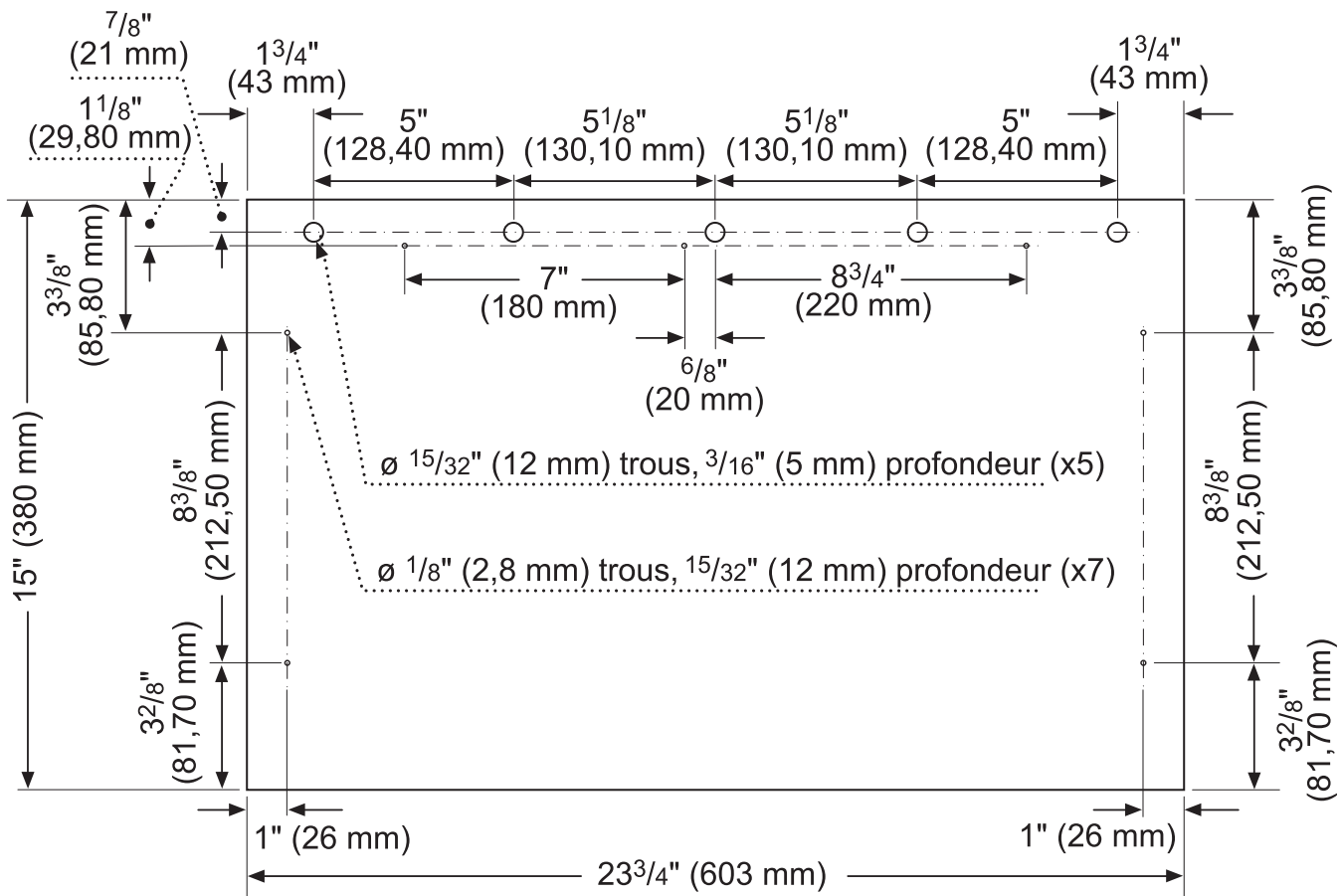
Un gabarit pleine grandeur pour faciliter le marquage des trous est fourni avec la trousse du manuel.

### IMPORTANT :

- L'épaisseur du panneau de revêtement doit être de  $\frac{3}{4}$  po (19 mm).
- Le panneau de revêtement ne doit pas peser plus de 10 lb (4,54 kg).
- Les panneaux de revêtement pesant plus que le poids recommandé peuvent causer des dommages à votre appareil.
- Pour installer le panneau, utilisez seulement les vis comprises dans la « trousse d'installation ».

Créez le panneau de revêtement sur mesure selon les dimensions indiquées.

**REMARQUE :** Les tiroirs du haut et du bas utilisent le même panneau.

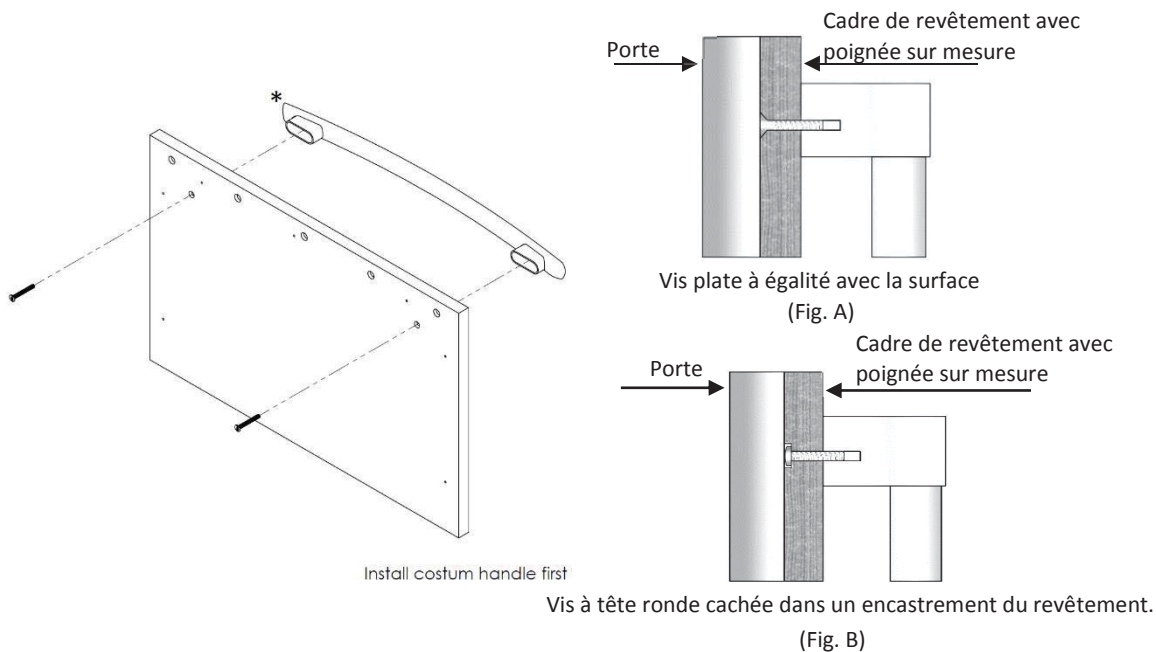


Remarque :

1. Les trous de  $\varnothing$  15/32" (12 mm) ne sont nécessaires que pour les plaques supérieures. Ces trous ne sont pas nécessaires pour les plaques inférieures.
2. L'épaisseur de la plaque de couverture doit être égale à 3/4" (19 mm).
3. La plaque de couverture ne doit pas peser plus de 4,54 kg (10 lb).
4. Un poids plus élevé que celui conseillé risque d'endommager l'appareil.
5. Nous vous recommandons de vous faire aider par quelqu'un lors du montage de la plaque.
6. Utilisez les outils recommandés dans le manuel pour faciliter le montage, de la plaque. Si vous n'utilisez pas les outils recommandés ou que vous les utilisez de façon inappropriée, et que vous ne demandez pas à vous faire aider par quelqu'un, vous risquez d'endommager la plaque et/ou l'appareil.

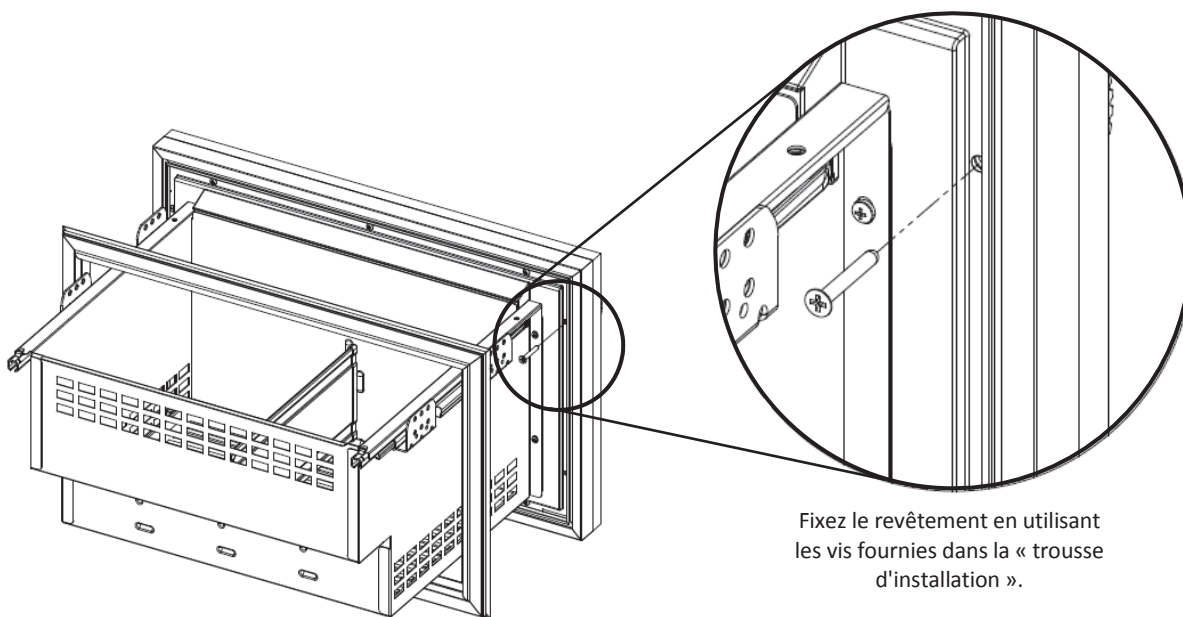
Dimensions en pouces (mm)

1. Installez la poignée de votre choix sur le panneau de revêtement avant d'installer le panneau sur le tiroir.
  - Chaque poignée est différente. Il incombe au client de procéder aux modifications nécessaires pour fixer la poignée sur le panneau de revêtement.
  - Les vis utilisées pour fixer la poignée au panneau doivent être plates et vis-à-vis la surface du panneau (Fig. A). Si les vis ne sont pas plates, songez à créer un encastrement dans le revêtement pour cacher la tête de la vis sous la surface du revêtement, sans quoi les vis nuiront au placement exact du revêtement sur le tiroir (Fig. B).



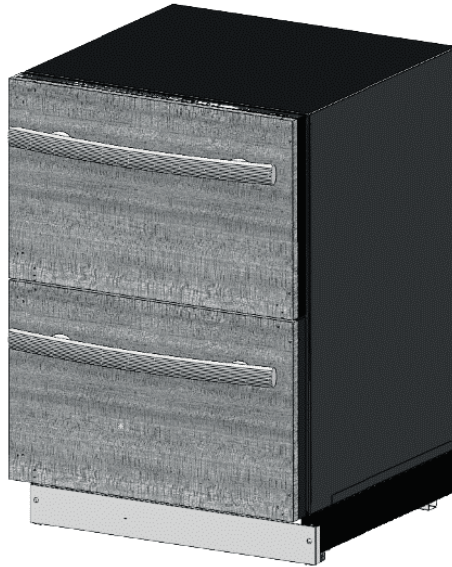
2. Retirez le joint d'étanchéité des coins supérieurs de la porte en le tirant doucement. De la mousse isolante se trouve sous le joint d'étanchéité; tirez la mousse juste assez pour la sortir et accéder à la vis ci-dessous. Il n'est pas nécessaire de retirer tout le joint d'étanchéité et toute la mousse, seule une partie suffisante pour rendre la vis accessible. Retirez ensuite les vis, car elles ne sont plus requises.

Utiliser les vis incluses dans la « trousse d'installation » pour fixer le panneau de revêtement en le vissant depuis l'intérieur du tiroir à travers le même trou laissé par la vis retirée, jusqu'à ce que le panneau soit fermement fixé au tiroir.



3. Lorsque le revêtement est bien fixé au tiroir, remettez le joint d'étanchéité en place en appuyant dessus contre le tiroir jusqu'à ce qu'il soit bien enfoncé en place.

Répétez les mêmes étapes pour l'autre tiroir. Les panneaux de revêtement sont maintenant prêts.



## Renseignements sur le service à la clientèle

Si une réparation s'avère nécessaire, veuillez appeler votre revendeur ou centre de service après-vente agréé. Ne cherchez pas à réparer l'appareil vous-même. Tout travail exécuté par du personnel non autorisé peut annuler la garantie. Si le problème persiste, prenez les mesures suivantes (dans l'ordre indiqué ci-dessous) jusqu'à ce que le problème ait été résolu à votre entière satisfaction.

1. Appelez votre revendeur ou le prestataire de service après-vente agréé par Thermador de votre région.
2. Écrivez-nous à partir de la page du service à la clientèle de notre site Web, [www.Thermador.com](http://www.Thermador.com).
3. Écrivez-nous à l'adresse ci-dessous :

**BSH Home Appliances Corporation**  
**1901 Main Street, Suite 600**  
**Irvine, CA 92614**

4. Appelez-nous au :1-800-735-4328

Veuillez indiquer (si vous écrivez) ou avoir à portée de main (si vous appelez) les renseignements suivants :

- Numéro de modèle
- Numéro de série
- Date d'achat original
- Date à laquelle le problème est survenu
- Explication du problème

Si vous nous écrivez, veuillez indiquer votre numéro de téléphone de jour. (Le numéro de modèle et le numéro de série sont indiqués sur l'étiquette se trouvant sur le côté droit du compartiment inférieur).

## **Plaque signalétique**

La plaque signalétique indique le numéro de série et le modèle de l'appareil. Elle est située sur le côté droit du compartiment inférieur.

## **Renseignements pour le service après-vente**

Aux fins de référence pratique, veuillez copier sur le formulaire ci-dessous les renseignements se trouvant sur la plaque signalétique se trouvant sur le côté droit du compartiment inférieur. Conservez votre facture pour valider la garantie.

Numéro de modèle \_\_\_\_\_

Numéro de série \_\_\_\_\_

Date d'achat \_\_\_\_\_

Nom du revendeur \_\_\_\_\_

Numéro de téléphone du revendeur \_\_\_\_\_

Nom du centre de service après-vente \_\_\_\_\_

Numéro de téléphone du service après-vente \_\_\_\_\_



# *Thermador*<sup>®</sup>

PN:**8336411930130** / 8001087776

T24UR920DS

T24UR910DS

T24UR900DS

03/2018  
Printed in Mexico  
Impreso en México  
Imprime au Mexique