



Register your new Bosch now:
www.bosch-home.com/welcome



MES25A0GB
MES3500GB



BOSCH

en Instruction manual
ms Arahan pengendalian
zf 使用說明書
zh 使用说明书
ar إرشادات الاستخدام

en	English	3
ms	Bahasa Melayu	10
zf	繁體中文	17
zh	简体中文	22
ar	العربية	32



Intended use

This appliance is intended for domestic use only.

The appliance is suitable for extracting the juice from fruit (e.g. apples, pears, pitted plums and cherries) and vegetables (e.g. tomatoes, carrots). It is not suitable for processing particularly hard, fibrous or starchy fruit and vegetables (e.g. sugar cane, bananas, papayas, avocados, figs, mangos).

Only use the appliance indoors at room temperature and up to 2000 m above sea level.

Important safety information

Read and follow the instruction manual carefully and keep for later reference! Enclose these instructions when you give this appliance to someone else. If the instructions for correct use of the appliance are not observed, the manufacturer's liability for any resulting damage will be excluded.

This appliance can be used by persons with reduced physical, sensory or mental capabilities or lack of experience and/or knowledge if they have been given supervision or instruction concerning use of the appliance in a safe way and if they understand the hazards involved. Keep children away from the appliance and connecting cable and do not allow them to use the appliance. Do not let children play with the appliance. Cleaning and user maintenance must not be performed by children.

Risk of electric shock and fire!

- Connect and operate the appliance only in accordance with the specifications on the rating plate. Do not use the appliance if the power cord and/or appliance are damaged. Only our customer service may repair the appliance, e.g. by replacing a damaged power cord, in order to avoid hazards.
- Never connect the appliance to timer switches or remote-controllable sockets. Never leave the appliance unattended while it is switched on!
- Do not place the appliance on or near hot surfaces, e.g. hobs. The power cord must not come into contact with hot parts or be pulled across sharp edges.
- Never immerse the base unit in liquids or hold under running water and do not clean in the dishwasher. Do not steam-clean the appliance. Do not use the appliance with damp hands.
- After each use, whenever the appliance is unsupervised, prior to assembly, prior to disassembly, prior to cleaning and in the event of an error, the appliance must always be disconnected from the mains.

Risk of injury!

- Before use, always check the entire appliance, in particular the filter and filter tray, for damage (cracks, flaws). Do not use the appliance if the filter or the lid is damaged or if there are visible cracks.
- Before replacing accessories or additional parts which move during operation, the appliance must be switched off and disconnected from the power supply. After switching off, the drive continues for a short time. Wait until the drive has come to a standstill.
- Only operate the appliance in its fully assembled state. Be careful when closing the catch, otherwise you may trap your fingers.
- The appliance is intended to be used by one person.
- Do not place fingers in the filling shaft. Use the supplied pusher only!
- Care should be taken when handling the shredding blades, emptying the container and during cleaning. Do not touch shredding blades on the base of the filter. First clean the filter with the brush, then rinse under running water or wash in the dishwasher.

Risk of suffocation!

Do not allow children to play with packaging material.

Caution!

- We recommend that the appliance is never switched on for longer than is necessary to process the ingredients. Do not operate at no-load.
- Use only the rotary switch to switch the appliance on or off.

Important!

- Process ripe and unfrozen fruit and vegetables only. Fruit and vegetables which are not ripe will block the filter very quickly.
- Empty the pulp container before the pulp reaches the edge of the filter tray.
- If the appliance vibrates during the juicing process, the filter is blocked or damaged. Switch off the appliance immediately. Check the filter. No longer use a damaged filter!
- It is essential to clean the appliance thoroughly after each use or after it has not been used for an extended period. → *“Cleaning and maintenance” see page 7*

Congratulations on the purchase of your new Bosch appliance. You can find further information about our products on our website.

Contents

Intended use.....	3
Important safety information.....	3
Overview.....	5
Start lock-out.....	5
Operation.....	5
Cleaning and maintenance.....	7
Recipes.....	8
Disposal.....	9
Guarantee.....	9

Overview

Please fold out the illustrated pages.

→ Fig. 

- 1 **Motor unit (with cord store)**
- 2 **Switch**
0/off = Switch off appliance
 1 = Switch on appliance / low speed
 2 = Switch on appliance / high speed
- 3 **Catch**
- 4 **Pulp container**
- 5 **Lock for the outlet (drip stop)**

Important information

- When switching on the appliance, ensure that the lock is open (lock at the very front). When the lock is open, the juice flows into the juice jug.
 - Before emptying the juice jug, switch off the appliance (**0/off**) and close the lock (push backwards). This will stop more juice from running out and prevent soiling of the work surface.
- 6 **Filter tray with outlet**
 - 7 **Filter**
 - 8 **Lid**
 - 9 **Filling shaft**
 - 10 **Pusher**
 - 11 **Juice jug**
 - 12 **Foam separator**
 - 13 **Lid for juice jug**
 - 14 **Cleaning brush**

Start lock-out

The appliance cannot be switched on unless

- the filter tray and lid have been attached correctly and
- the catch has been locked and engaged correctly.

Before using the appliance, always check that the lid is locked!

Operation

→ Fig. 

Assembly

Risk of injury

- Do not use the appliance if the power cord and/or appliance are damaged.
- Before use, always check the entire appliance, in particular the filter and filter tray, for damage (cracks, flaws).
- Do not touch shredding blades / blades on the base of the filter.
 - Push lock (with the handle to the left) all the way onto the outlet and turn upwards by 90°. Ensure that the sealing ring is on the outlet!
 - Insert filter tray into the motor unit.
 - Insert filter and press down until it clicks into position. The filter must fit firmly on the drive! Check for damage beforehand!
 - Insert the pulp container into the motor unit.
 - Attach the lid.
 - Attach both catches to the lugs on the lid (1.) and press down until they click into position (2.).
 - Place juice jug with the spout under the outlet. Remove foam separator from the juice jug if you prefer juice with foam. Place lid on the juice jug to prevent splashes.
 - Insert pusher into the filling shaft. Pusher has a guide groove!

Preparing fruit and vegetables

Caution!

Process ripe and unfrozen fruit and vegetables only. Fruit and vegetables which are not ripe will block the filter very quickly.

- First, wash the fruit and vegetables.
- Remove stones from fruit. Remove large stalks.
- Chop up large fruit and vegetables so that they fit the filling shaft.
- Process only fresh fruit and vegetables because they are juicier.
- Peel fruit beforehand if it has thick and hard peel (e.g. pineapples, melons, oranges, grapefruits and raw beetroot). Remove the pith from citrus fruits!
- The consistency of apple juice depends on the kind of apple used. The juicier the apples, the thinner the juice. Add a few drops of lemon juice to the apple juice to delay the juice from turning brown.
- Leaves and stems (e.g. stalks from leaf salad) can also be processed in this juicer.
- If possible, drink juice immediately after preparation, as it loses its flavour and nutritional value quickly.
- Hard and starchy fruits and vegetables (e.g. sugar cane, bananas, papayas, avocados, figs and mangos) are not suitable for juicing in this appliance.

Extracting juice

Risk of injury

Do not place fingers in the filling shaft. Use the supplied pusher only!

- Place the assembled appliance on a smooth, clean worktop.
- Pull power cord to the required length out of the cord store.
- Plug the mains plug into the mains.
- To open, push the lock on the outlet forwards.
- Switch on the appliance.

- Setting **1** is particularly suitable for soft fruit / vegetables, e.g. watermelons, grapes, tomatoes, cucumbers and raspberries.
- Setting **2** is suitable for hard, firm fruit and vegetables, e.g. carrots.

Do not use the appliance for more than 10 minutes for all kinds of fruit and vegetables e.g. carrots, cucumbers, apples and pears. Then switch off appliance and leave to cool down.

- When the motor is running, put fruit / vegetables in the filling shaft.
- Only use the pusher when adding more ingredients. Never insert fingers into the filling shaft! Apply only light pressure to the pusher. This increases juice yield and protects the appliance.
- Switch off the appliance. Move the switch to **0/off**. Do not switch off the appliance until all the juice has run out.

Caution!

Before opening the appliance, wait until the motor has stopped.

Important information

- Empty the pulp container before the pulp reaches the edge of the filter tray.
- If the appliance vibrates during the juicing process, the filter is blocked or damaged. Switch off the appliance immediately. Check the filter. No longer use a damaged filter!

Emptying the pulp container and filter

→ Fig.

Empty the pulp container before the pulp reaches the edge of the filter tray. Switch off the appliance.

- Move the switch to **0/off**.
- To remove the pulp container, take hold of it with the recessed grip and swivel out. Before continuing to operate the appliance, re-insert the pulp container.

Empty the filter if

- the motor speed drops significantly,
- the juice becomes thick,
- the appliance begins to vibrate noticeably.

Recommendation: Empty the pulp container and filter at the same time.

Important!

If juice has run under the filter tray, immediately remove with a damp cloth.

Dismantling**⚠ Risk of electric shock**

Before working on the appliance, pull out the mains plug.

⚠ Risk of injury

- Do not dismantle the appliance until the motor has stopped.
- Do not touch shredding blades / blades on the base of the filter.

→ Fig. D

- Switch off the appliance and pull out the mains plug.
- Wait until the motor stops (approx. 10-12 sec.).
- To close, push the lock on the outlet backwards.
- Remove the pusher and pulp container.
- Pull both lower catches outwards. Then lift the catches off the lugs on the lid.
- Remove the lid.
- Lift the filter tray with both hands and take out of the motor unit.
- Take the filter out of the filter tray.
- Turn lock to the left and pull off the outlet.

Cleaning and maintenance**Important information**

The appliance requires no maintenance. Thorough cleaning protects the appliance from damage and keeps it functional.

⚠ Risk of electric shock

- Before working on the appliance, pull out the mains plug.
- Never immerse the base unit in liquids and do not clean in the dishwasher.

⚠ Risk of injury

- Do not touch shredding blades / blades on the base of the filter.
- Clean with a brush!

Caution!

Do not use abrasive cleaning agents. Surfaces may be damaged.

- First clean the filter with the brush, then rinse under running water or wash in the dishwasher.
- Wipe the motor unit with a damp cloth, if required use a little washing-up liquid. Dry the motor unit immediately.
- All other parts are dishwasher-safe.

Discolouration on plastic parts (e.g. caused by carrots, beetroot) can easily be removed with a few drops of vegetable oil. Put parts in the dishwasher (provided they are dishwasher-safe).

Replacing the filter

Replace the filter at the first signs of wear or damage in order to prevent any risk of breakage. If the appliance is used daily, the filter should be replaced after approx. 5 years.

Important information

A filter can be ordered from customer service (order no. 00648221).

Recipes

Melon and yoghurt smoothie

(For 4 beverages)

- 200 g natural yoghurt
- 2 pinches vanilla pulp
- 2 tbsp honey to taste
- 400 g watermelon fruit pulp, without skin and pips
- Mix the yoghurt with the vanilla pulp and honey until smooth and pour into a tall glass.
- Cut the melon into suitable pieces and juice.
- Pour onto the yoghurt and garnish with a piece of melon if required.

Cucumber kefir drink

(For 4 beverages)

- 2 cucumbers
- 800 g kefir
- 200 g yoghurt
- 2 tsp olive oil
- 2 tbsp lemon juice
- 4 tbsp freshly chopped dill
- Sea salt
- Freshly ground pepper
- Wash the cucumbers, clean and cut off four strips with a peeler.
- Juice the rest of the cucumber.
- Then mix the juice with the kefir, yoghurt, oil and lemon juice.
- Then stir in the dill and season the drink with salt and pepper to taste.
- Thread the cucumber strips in a concertina shape onto wooden skewers. Pour the drink into glasses and place the cucumber skewers over the glasses.

Pepper and vegetable smoothie

(For 4 beverages)

- 2 red peppers
- 8 fully ripe tomatoes
- 1 tsp ground paprika, sweet
- ½ tsp olive oil
- Salt
- Cayenne pepper
- 2 tsp lemon juice
- Szechuan pepper, to garnish

- Wash and halve the peppers, remove the seeds and white inner peel and cut into rough pieces.
- Wash the tomatoes, cut out the core and cut into pieces.
- Juice the tomatoes and peppers.
- Mix with the ground paprika and the olive oil and season with salt, cayenne pepper and lemon juice to taste.
- Pour into a cold glass and serve with a garnish of grated Szechuan pepper.

Tropical juice

- 1 orange
- ½ mango
- 1 slice pineapple
- 1 slice watermelon
- 5 berries (e.g. strawberries)
- Peel orange, pineapple and watermelon and remove stone from the mango.
- Juice everything on setting 1.
- Serve the drink in a glass.

Carrot cake

- 4 eggs
- 4 tbsp warm water
- 200 g sugar
- 100 g flour
- 500 g carrots
- Use only the leftover juiced carrots (200-300 g) – they can be found in the pulp container.
- 200 g ground hazelnuts
- 1 tsp baking powder
- Juice the carrots at the highest speed in approx. 5 seconds. (When processing larger quantities, leave the appliance to cool down to room temperature each time after emptying the pulp container.)
- Mix eggs, water and sugar for approx. 5 minutes. The mixture must have a frothy appearance.
- Slowly add flour, baking powder, hazelnuts and carrots. The pieces of carrot must not be too large.
- Put the dough into a tin (e.g. springform tin with a diameter of 260 mm) and bake at 180 °C for 30-35 minutes.

Disposal



Dispose of packaging in an environmentally-friendly manner. This appliance is labelled in accordance with European Directive 2012/19/EU concerning used electrical and electronic appliances (waste electrical and electronic equipment – WEEE). The guideline determines the framework for the return and recycling of used appliances as applicable throughout the EU. Please ask your specialist retailer about current disposal facilities.

Guarantee

The guarantee conditions for this appliance are as defined by our representative in the country in which it is sold. Details regarding these conditions can be obtained from the dealer from whom the appliance was purchased. The bill of sale or receipt must be produced when making any claim under the terms of this guarantee.

Changes reserved.

Pengendalian mengikut peraturan

Mesin ini hanya sesuai untuk penggunaan persendirian rumah tangga dan di sekitar rumah.

Perkakas ini sesuai untuk memerah buahan (cth. epal, pear, plum dan ceri yang dibuang biji) dan sayuran (cth. tomato, lobak). Ia tidak sesuai terutamanya bagi memproses buahan dan sayuran yang keras, berserat dan berkanji (cth. tebu, pisang, betik, avokado, buah ara, mangga). Gunakan perkakas ini hanya di dalam bangunan pada suhu bilik dan ketinggian sehingga 2000 m di atas paras laut.

Arahan keselamatan penting.

Baca arahan pengendalian dengan teliti, patuhinya dan simpan! Sertakan arahan ini semasa penyerahan alat. Ketidakpatuhan terhadap arahan bagi penggunaan perkakas dengan betul akan mengecualikan pengeluar dari liabiliti kerosakan yang berlaku. Perkakas ini boleh digunakan oleh orang dengan kekurangan keupayaan fizikal, deria atau metal, atau kekurangan pengalaman dan/atau pengetahuan dibawah selian atau telah dilatih mengikut keselamatan pengendalian peralatan ini dan memahami kesan bahayanya. Kanak-kanak hendaklah dijauhkan daripada perkakas dan kabel penyambungan serta tidak dibenarkan mengendalikan perkakas ini. Kanak-kanak tidak dibenarkan bermain dengan perkakas ini. Kanak-kanak tidak dibenarkan untuk mencuci atau menyelenggara perkakas ini.

Bahaya kejutan elektrik dan kebakaran!

- Sambung dan kendalikan perkakas hanya mengikut spesifikasi pada plat kadaran. Hanya kendalikan sekiranya tiada tanda kerosakkan pada perkakas dan kord kuasa. Pembaikan pada peralatan, seperti menukar kabel bekalan kuasa, hanya boleh dilakukan oleh khidmat pelanggan kami bagi mengelakkan bahaya.
- Jangan sambungkan perkakas pada pemasa atau soket yang dikawal dengan alat kawalan jauh. Sentiasa awasi perkakas semasa menggunakannya!
- Jangan letak peralatan di atas atau berdekatan dengan permukaan panas, seperti plat panas. Jangan biarkan kord kuasa bersentuhan dengan bahagian panas atau menariknya di atas bahagian sisi yang tajam.
- Jangan sesekali meredam unit asa ke dalam cecair atau memegangnya di bawah air yang mengalir dan jangan bersihkan menggunakan pembasuh pinggan mangkuk. Jangan gunakan pembersih wap. Jangan kendalikan perkakas dengan tangan yang basah.

- Peralatan ini mestilah sentiasa dipisahkan dari punca kuasa selepas setiap penggunaan, ketika tanpa penyeliaan, sebelum pemasangan, penanggalan atau pembersihan dan kerosakan.

⚠️ Risiko kecederaan!

- Sebelum setiap penggunaan, periksa kerosakan pada keseluruhan perkakas, terutamanya penapis dan mangkuk penapis, terlebih dahulu (retak, rekah). Jangan guna perkakas jika penapis atau tudung rosak atau memperlihatkan retak.
- Sebelum menukar alat ganti atau tambah, yang bergerak semasa pengendalian, perkakas mestilah dimatikan dan dipisahkan dari punca kuasa. Selepas dimatikan, pemacu berjalan untuk seketika. Tunggu sehingga pemacu telah berhenti sepenuhnya.
- Kendalikan perkakas hanya jika perkakas dipasang sepenuhnya. Berhati-hati semasa menutup pendakap kapit bagi mengelakkan jari terkapit.
- Perkakas ini direka bentuk untuk kegunaan oleh orang perseorangan.
- Jangan masukkan jari ke dalam aci pengisi. Gunakan penolak yang disediakan sahaja!
- Berhati-hati semasa mengendalikan bilah pamarut, mengosongkan bekas dan mencuci. Jangan sentuh bilah pamarut di lantai penapis. Untuk mencuci, bersihkan penapis terlebih dahulu dengan berus sebelum mencucinya di bawah air yang mengalir atau di dalam mesin pembasuh pinggan mangkuk.

⚠️ Risiko lemas!

Jangan biarkan kanak-kanak bermain dengan bahan pembungkusan.

⚠️ Perhatian!

- Adalah dicadangkan supaya jangan sesekali tinggalkan alat dihidupkan terlalu lama daripada yang diperlukan untuk pemprosesan makanan. Jangan kendalikan dalam jalanan lahu.
- Hanya gunakan suis putar untuk menghidupkan atau mematikan perkakas.

⚠️ Penting!

- Proses hanya buahan dan sayuran yang telah matang dan tidak beku. Buahan dan sayuran yang tidak matang boleh menyebabkan penapis tersumbat dengan cepat.
- Kosongkan bekas hampas sebelum hampas mencapai tepi mangkuk penapis.
- Getaran perkakas semasa memerah bermaksud penapis tersumbat atau rosak. Matikan perkakas serta-merta. Periksa penapis. Jangan guna penapis yang rosak!

- Perkakas mestilah dibasuh dengan teliti selepas setiap penggunaan atau selepas tidak menggunakannya untuk jangka waktu yang panjang. → “Pembersihan dan penjagaan” lihat halaman 14

Tahniah atas pembelian perkakas Bosch baru anda. Anda boleh mendapatkan maklumat lanjut tentang produk kami di halaman web kami.

Kandungan

Pengendalian mengikut peraturan.....	10
Arahan keselamatan penting.....	10
Sepintas lalu.....	12
Pelindung penghidupan.....	12
Mengendalikan.....	12
Pembersihan dan penjagaan.....	14
Resipi.....	15
Arahan tentang pelupusan.....	16
Syarat-syarat waranti.....	16

Sepintas lalu

Sila lipat keluar halaman ilustrasi.

→ Rajah 

- 1 **Unit motor (dengan ruang kabel)**
- 2 **Suis**
0/off Matikan perkakas
1 = Hidupkan perkakas / Kelajuan rendah
2 = Hidupkan perkakas / Kelajuan tinggi
- 3 **Pendakap kaput**
- 4 **Bekas hampas**
- 5 **Penutup untuk alur keluar (penghenti titisan)**

Nasihat penting

- Semasa menghidupkan perkakas, penutup mestilah dibuka terlebih dahulu (penutup ke hadapan sepenuhnya). Jika penutup dibuka, jus akan mengalir ke dalam bekas jus.
- Semasa mengosongkan bekas jus, matikan perkakas (f) dan tutup penutup (tolak ke belakang). Dengan itu jus tidak boleh mengalir keluar dan dapat mengelakkan meja kerja daripada menjadi kotor.

- 6 **Mangkuk penapis dengan alur keluar**
- 7 **Penapis**
- 8 **Tudung**
- 9 **Aci pengisi**
- 10 **Penolak**
- 11 **Bekas jus**
- 12 **Pemisah buih**
- 13 **Tudung untuk bekas jus**
- 14 **Berus pembersih**

Pelindung penghidupan

Perkakas hanya boleh dihidupkan, jika

- mangkuk penapis dan tudung telah dipasang dengan betul dan
- pendakap kaput telah dipasang dengan betul

Periksa penguncian tudung sebelum setiap penggunaan!

Mengendalikan

→ Rajah 

Memasang

Risiko kecederaan

- Hanya guna sekiranya tiada tanda kerosakkan pada perkakas dan kord kuasa.
- Sebelum setiap penggunaan, periksa kerosakan pada keseluruhan perkakas, terutamanya penapis dan mangkuk penapis, terlebih dahulu (retak, rekah).
- Jangan sentuh bilah pamarut / bilah di lantai penapis.
 - Tolak penutup (dengan pemegang ke kiri) sepenuhnya ke atas alur keluar dan pusing 90° ke atas. Pastikan yang cincin pendedap berada pada alur keluar!
 - Letakkan mangkuk penapis di dalam unit motor.

- Letakkan penapis dan tekan ke bawah sehingga berbunyi klik. Penapis mesti duduk tepat di atas pemacu! Sebelum itu, periksa kerosakan!
- Letakkan bekas hampas di dalam unit motor.
- Pasang penutup.
- Gantung kedua-dua pendakap kapit pada hidung tudung (1.) dan tekan ke bawah sehingga berbunyi klik (2.).
- Letakkan bekas jus dengan dengan muncung di bawah alur keluar. Tanggalkan pemisah buih daripada bekas jus, jika jus dengan buih diingini. Letakkan tudung di atas bekas jus bagi mengelakkan percikan.
- Pasang penolak di dalam aci pengisi. Penolak mempunyai alur panduan!

Menyediakan buahan dan sayuran

Perhatian!

Proses hanya buahan dan sayuran yang telah matang dan tidak beku.

Buahan dan sayuran yang tidak matang boleh menyebabkan penapis tersumbat dengan cepat.

- Basuh buahan dan sayuran terlebih dahulu.
- Buang biji bagi buahan yang berbiji. Tanggalkan pedunkel kasar.
- Potong kecil buahan dan sayuran besar sehingga ia boleh melalui aci pengisi.
- Proses hanya buahan dan sayuran segar.
- Buang kulit buahan yang mempunyai kulit yang tebal dan keras (cth. nenas, tembikai, oren, ubi bit). Buang kulit putih buahan lemon!
- Konsistensi jus epal bergantung kepada jenis epal yang digunakan. Epal yang berjus., akan menjadikan jus lebih cair. Tambahkan beberapa titis jus lemon ke dalam jus epal bagi melambatkan jus menjadi perang.
- Daun dan akar keras (cth. tunggul salad) boleh juga diproses di dalam pemerah ini.

- Sekiranya boleh, minum serta-merta jus selepas disediakan, kerana rasa dan nutrien jus hilang dengan cepat.
- Pemerah sesuai terutamanya bagi memproses buahan dan sayuran yang keras, berserat dan berkanji (cth. tebu, pisang, betik, avokado, buah ara, mangga).

Memerah

⚠ Risiko kecederaan

Jangan masukkan jari ke dalam aci pengisi. Seterusnya gunakan penolak yang dibekalkan. Seterusnya gunakan penolak yang dibekalkan.

- Letak perkakas yang telah dipasang di atas meja kerja yang rata dan bersih.
- Tarik keluar kabel kuasa daripada ruang penyimpanan kabel hingga ke panjang yang dikehendaki.
- Pasangkan plag.
- Tolak penutup pada alur keluar ke hadapan untuk membuka.
- Hidupkan perkakas.
 - Tahap 1 sesuai terutamanya untuk buahan / sayuran dengan jus yang sangat banyak, cth. tembikai, anggur, tomato, timun dan raspberi.
 - Tahap 2 sesuai untuk buahan dan sayuran yang keras dan padat, cth. lobak.

Tempoh penggunaan perkakas adalah selama 10 minit untuk semua jenis buahan dan sayuran, seperti lobak, timun, epal dan pear. Akhir sekali, matikan perkakas dan biarkan ia menyejuk.

- Masukkan buahan/sayuran ke dalam aci pengisi semasa motor berfungsi.
- Hanya gunakan penolak yang untuk penyuaian bebas. Jangan masukkan jari ke dalam aci pengisi! Hanya kenakan sedikit daya ke atas penolak. Ini akan meningkatkan kuantiti jus dan menjaga perkakas.
- Matikan perkakas. Ubah suis ke **0/off**. Matikan perkakas hanya jika tiada lagi jus yang mengalir keluar.

Perhatian!

Sebelum membuka perkakas, adalah penting untuk menunggu sehingga motor berhenti sepenuhnya.

Arahan Penting

- Kosongkan bekas hampas sebelum hampas mencapai tepi mangkuk penapis.
- Getaran perkakas semasa memerah bermaksud penapis tersumbat atau rosak. Matikan perkakas serta-merta. Periksa penapis. Jangan guna penapis yang rosak!

Mengosongkan bekas hampas dan penapis

→ Rajah 6

Kosongkan bekas hampas sebelum hampas mencapai tepi mangkuk penapis. Seterusnya matikan perkakas:

- Ubah suis ke **0/off**.
- Untuk mengambil keluar bekas hampas, pegang pada lekuk dan ayun keluar. Sebelum menyambung kembali kerja, letakkan semula bekas hampas.

Kosongkan penapis, jika

- rpm motor berkurangan dengan banyak,
- jus menjadi pekat,
- perkakas mula bergetar, yang boleh dirasai.

Cadangan: Kosongkan bekas hampas dan penapis pada masa yang sama.

Penting!

Jika jus mengalir keluar daripada mangkuk penapis, bersihkannya dengan tuala lembap serta-merta.

Menanggalkan

⚠ Risiko kejutan elektrik!

Sebelum semua pekerjaan pada perkakas, tarik plag kuasa.

⚠ Risiko kecederaan

- Tanggalkan perkakas hanya setelah motor pegun.
- Jangan sentuh bilah pamarut / bilah di lantai penapis.

→ Rajah 7

- Matikan perkakas dan tarik plag kuasa.
- Tunggu sehingga motor pegun (lebih kurang 10-12 saat.).
- Tolak penutup pada alur keluar ke belakang untuk menutupnya.
- Tanggalkan penolah dan bekas hampas.
- Tarik kedua-dua pendakap kapit bawah ke luar. Akhir sekali, angkat ke atas daripada hidung tudung.
- Tanggalkan tudung.
- Angkat dan tanggalkan mangkuk penapis ke atas dengan kedua-dua tangan daripada unit motor.
- Tanggalkan penapis daripada mangkuk penapis.
- Pusing penutup ke kiri dan tarik dari alur keluar.

Pembersihan dan penjagaan

Nasihat penting

Perkakas tidak perlu diselenggara.

Membersih dengan teliti dapat mengelak perkakas daripada kerosakan dan mengekalkan kefungsiannya.

⚠ Risiko kejutan elektrik!

- Sebelum semua pekerjaan pada perkakas, tarik plag kuasa.
- Jangan sesekali merendam unit asas ke dalam cecair dan jangan mencuci di dalam mesin basuh pinggan mangkuk.

⚠ Risiko kecederaan

- Jangan sentuh bilah pamarut / bilah di lantai penapis.
- Untuk membersihkannya, gunakan berus.

Perhatian!

Jangan gunakan agen pembersih yang melelas. Permukaan mungkin rosak.

- Bersihkan penapis terlebih dahulu dengan berus, kemudian cuci di bawah air yang mengalir atau di dalam mesin pencuci pinggan mangkuk.
- Lap unit motor dengan kain lembap, jika perlu gunakan sedikit agen pembilas. Keringkan unit motor dengan serta-merta.
- Semua bahagian lain sesuai untuk mesin pencuci pinggan mangkuk.

Perwarnaannya pada bahagian plastik (cth. daripada lobak, ubi bit) boleh dihilangkan dengan mudah menggunakan sedikit minyak tumbuhan. Akhir sekali, masukkan bahagian ke dalam mesin pencuci pinggan mangkuk (selagi sesuai)

Menukar penapis

Tukar penapis jika ia menunjukkan tanda lelah atau rosak, bagi mengelakkan sebarang risiko pecah. Jika kerap digunakan, penapis perlu ditukar selepas lebih kurang 5 tahun.

Nasihat penting

Penapis boleh dipesan melalui khidmat pelanggan (no. item 00648221).

Resipi

Yogurt Smoothie Tembikai

(Untuk 4 hidangan)

- 200 g yogurt asli
- 2 cubit biji vanila
- 2 sudu besar madu, secukup rasa
- 400 g isi buah tembikai, tanpa kulit dan biji
- Kacau yogurt dengan biji vanila dan madu dengan sekata dan masukkan ke dalam gelas tinggi.
- Potong isi tembikai mengikut kesesuaian dan perah.
- Tuang ke atas yogurt dan jika perlu, hidangkan dengan sepotong tembikai sebagai hiasan

Minuman Timun Kefir

(Untuk 4 hidangan)

- 2 biji timun
- 800 g kefir
- 200 g yogurt
- 2 sudu kecil minyak zaitun
- 2 sudu besar jus lemon
- 4 sudu besar dil yang dicincang halus
- Garam
- Lada yang telah dikisar

- Basuh dan cuci timun, kemudian potong kepada empat cakera memanjang menggunakan pengupas.
- Peras lebihan timun.
- Kemudian campur jus dengan kefir, yogurt, minyak dan jus lemon.
- Kemudian masukkan dil dan kacau, dan masukkan garam dan lada ke dalam minuman secukup rasa.
- Cucuk jalur timun secara beralun ke lidi kayu. Masukkan minuman ke dalam gelas dan letakkan lidi dengan timun di atasnya.

Smoothie Paprika Sayuran

(Untuk 4 hidangan)

- 2 biji paprika merah
- 8 biji tomato masak sepenuhnya
- 1 sudu teh serbuk paprika, manis
- ½ sude teh minyak zaitun
- Garam
- Lada cayenne
- 2 sudu teh jus lemon
- Lada Szechuan sebagai hiasan
- Basuh dan belah dua paprika, buang biji dan kulit dalam yang berwarna putih dan potong kecil.
- Basuh tomato, buang tangkai dan potong kecil.
- Perah tomato dan paprika.
- Kacau bersama serbuk paprika dan minyak zaitun bersama garam, masukkan lada cayenne dan jus lemon secukup rasa.
- Masukkan ke dalam gelas sejuk dan hidangkan dengan lada Szechuan yang diparut sebagai hiasan.

Jus “Tropika”

- 1 biji oren
- ½ biji mangga
- 1 potong nenas
- 1 potong tembikai
- 5 biji beri (cth. strawberi)
- Buang kulit oren, nenas dan tembikai, begitu juga biji magga.
- Perah kesemuanya pada tahap 1.
- Hidangkan minuman di dalam gelas.

Kek lobak

- 4 biji telur
 - 4 sudu besar air panas
 - 200 g gula
 - 100 g tepung gandum
 - 500 g lobak
- Di sini, gunakan hanya lebihan (200-300 g) daripada lobak yang telah diperah – ia boleh di dapati di dalam bekas hampas.
- 200 g kacang hazel
 - 1 sudu teh serbuk penaik
 - Perah lobak pada kelajuan paling tinggi lebih kurang 5 saat. (Untuk memproses kuantiti yang besar, biarkan perkakas sejuk pada suhu bilik setiap kali selepas bekas hampas dikosongkan.)
 - Kacau telur, air dan gula lebih kurang selama 5 minit. Campuran mesti kelihatan berbuih.
 - Masukkan tepung gandum, serbuk penaik, kacang hazel dan lobak dengan perlahan. Ketulan lobak mestilah tidak terlalu besar.
 - Masukkan adunan ke dalam acuan (cth. acuan bulat dengan diameter 260 mm) dan bakar selama 30-35 minit pada 180 darjah.

Arahan tentang pelupusan



Alat ini bersesuaian dengan garis panduan Eropa 2012/19/EU tentang alat-alat tua elektrik dan elektronik (waste electrical and electronic equipment - WEEE).

Garis panduan tersebut memberi rangka rujukan yang berlaku di seluruh Eropa untuk penerimaan balik dan penggunaan alat-alat tua.

Sila bertanya wakil penjual anda atau pihak berkuasa tempatan anda tentang cara-cara pelupusan semasa.

Syarat-syarat waranti

Syarat-syarat jaminan untuk perkakas ini adalah seperti yang ditakrifkan oleh wakil kami di negara tempat ia dijual.

Butir-butir tentang syarat-syarat ini boleh didapati daripada wakil penjual tempat perkakas dibeli.

Bil jualan atau resit mestilah ditunjukkan apabila anda hendak membuat apa-apa tuntutan di bawah terma-terma jaminan ini.

Tertakluk pada pindaan.

使用須知

本機僅限於私人家庭及非商業環境中使用。

該機器適用於榨取水果(例如蘋果、梨子、去核梅子及櫻桃)和蔬菜(例如番茄、紅蘿蔔)的汁液。不適合加工特別堅硬、含纖維或含澱粉的蔬果(例如甘蔗、香蕉、木瓜、酪梨、無花果、芒果)。

僅限在室溫及海拔 2000 米以下的室內使用本機。

重要安全須知

仔細閱讀並妥善保管本說明書,以備日後使用!將本機轉交給他人使用時,請將本說明書一併轉交。若不遵守本機器的正確使用規程,由此造成的任何損失,生產廠家不負任何責任。

凡身體、感官或智力有缺陷之人士及缺乏相關經驗和/或知識之人士,應在負責安全使用機器人員的監督或指導下,瞭解使用機器可能帶來的危險後,方能使用本機。請勿讓兒童靠近本機和電源線,且不得讓兒童操作本機。請勿讓兒童玩耍本機。兒童不得對本機進行清潔和保養。

⚠ 電擊和火災危險!

- 僅可依據銘牌上的說明連接和操作本機。電源線及本機必須完好無損方可使用。本機修理事宜,如更換損壞的電源線,僅由本公司的客戶服務執行,才能避免危險發生。
- 請勿將機器連接到定時開關或遙控插座上。請在操作過程中隨時監看本機!
- 請勿將本機置於高溫表面(比如電爐),或者高溫表面附近。電源線不能與高溫零件接觸,也不能拉動電源線的尖銳邊緣。
- 請勿將主機浸泡在水中或在水龍頭下沖洗,也不要放入洗碗機洗滌。請勿使用任何蒸汽清潔機。請勿用潮濕的雙手操作本機。
- 在每次使用之後、在沒有監督時、在組裝、拆卸或清潔時,以及在出現故障時,必須將斷開機器的電源。

⚠ 受傷危險!

- 每次使用前,都要檢查整台機器,尤其要檢查濾網和濾盤是否有損(裂縫、裂紋)。如果發現濾網或蓋有損傷,或者有可視的裂痕時,不得使用該機器。
- 在更換運行中會移動的配件或附加零件前,必須先關閉機器並斷開電源。驅動器在關機後仍會持續轉動一段時間。請等到驅動器完全停止運轉。
- 僅可在組裝完成的情況下操作本機。在關閉鎖帶時,小心手指。
- 該機器僅供一人使用。
- 切勿將手指伸入進料斗內。只能使用隨機提供的推杆!
- 使用濾末刮片、排空容器和清潔時請小心。不允許碰觸濾網底部的濾末刮片。在清洗濾網時,請首先用刷子,然後在流水下或洗碗機中清洗。

⚠ 窒息危險!

請勿讓兒童玩耍包裝材料。

⚠ 注意!

- 建議處理完食材後應立即關機,勿讓其長時間處於開機狀態。請勿空轉機器。
- 僅限使用旋轉開關開啟或關閉本電器的電源。

⚠ 重要!

- 只要加工熟透及沒有冰凍的蔬果。未熟透的蔬果會很快阻塞濾網。
- 要在果渣滿及濾盤盤緣之前清空果渣容器。
- 如在榨汁過程中機器出現振動,則表明濾網有阻塞或有損壞。立即關機。檢查濾網。不得使用損壞的濾網!
- 請將本機於每次使用後或長時間未使用重新使用前,務必徹底清潔。
→ “清潔和保養”參見第 20 頁

感謝您購買新的 Bosch 電器。
您可以在我們的網頁上找到與我們的產品有關的進一步資訊。

內容

使用須知	17
重要安全須知.....	17
產品一覽	18
啟動安全裝置.....	18
操作方法	18
清潔和保養	20
食譜	20
棄置	21
保證	21

產品一覽

請將圖示頁攤開。

→ 圖 1

- 1 馬達單元(帶電線儲藏格)
- 2 開關
0/off 關閉機器
1=開機/低速
2=開機高速
- 3 閉鎖箍
- 4 果渣容器
- 5 汁液出口閉鎖裝置(阻止滴落)

重要注意事項

- 開機時,閉鎖裝置必須處於打開狀態(閉鎖裝置向前)。閉鎖裝置打開時,蔬果汁會流入到榨汁杯中。

- 在清空榨汁杯時,要關閉機器(0/off)和關閉出口閉鎖裝置(向後推)。這樣就可阻止蔬果汁的繼續流出,從而避免弄髒工作台面。

6 濾盤(帶出口)

7 濾網

8 蓋子

9 進料管

10 推料棒

11 榨汁杯

12 泡沫分離板

13 榨汁杯蓋

14 清潔刷

啟動安全裝置

本機器啟動的前提條件是

- 濾盤和蓋子安裝正確,
 - 閉鎖箍正確鎖定且已卡入。
- 每次使用前都要檢查蓋子的鎖定裝置!

操作方法

→ 圖 2

組裝

⚠ 受傷危險

- 電源線及本機必須完好無損方可使用。
- 每次使用前,都要檢查整台機器,尤其要檢查濾網和濾盤是否有損(裂縫、裂紋)。
- 不要觸及濾網底部的刨刀片 / 刀片。
- 將閉鎖裝置(手把向左)推上汁液出口且推到底,再向上轉動90°。注意出口處已裝好密封圈!
- 將濾盤放入到馬達單元內。

- 裝入濾網且將其向下按壓,直到聽到卡入的聲音。濾網必須可靠地固定在傳動裝置上!之前先要檢查濾網是否有損!
- 將果渣容器放入到馬達單元內。
- 蓋上蓋子。
- 將兩個閉鎖箍掛入到蓋子手柄中(1.),且向下按壓,直至聽到卡入聲響為止(2.)。
- 將帶有澆嘴的榨汁杯置於出口下。如喜好帶有泡沫的果汁,則要取出泡沫分離板。放上榨汁杯的杯蓋,以避免榨汁飛濺。
- 將推料棒置入進料斗。推料棒有槽!

準備水果和蔬菜

注意!

只要加工熟透及沒有冰凍的蔬果。未熟透的蔬果會很快阻塞濾網。

- 首先清洗水果和蔬菜。
- 去除有核水果的果核,且去除粗大的梗蒂。
- 較大的水果和蔬菜要切成小塊,以便能通過進料斗。
- 只要加工新鮮蔬果。
- 果皮厚硬的果實(例如鳳梨、西瓜、柳丁、甜菜蘿蔔)要先去皮。要去除柑橘類水果的白色襯皮!
- 蘋果汁的稠度取決於所採用蘋果的種類。蘋果越是多汁,果汁的稠度就越低。向蘋果汁中添加幾滴檸檬汁,即可延緩果汁變成棕色的過程。
- 葉子和梗蒂(例如沙拉葉的梗莖)同樣也可在本榨汁機中加工。
- 由於榨汁的口味和營養價值會快速失去,因此在製備完畢後要儘量立即飲用。
- 本榨汁機不適用於加工特別堅硬、含纖維或含澱粉的蔬果(例如甘蔗、香蕉、木瓜、酪梨、無花果和芒果)。

榨汁

⚠ 受傷危險

切勿將手指伸入進料斗內。僅限使用隨附的推料棒!

- 將組裝好的機器置於平整和乾淨的工作台面上。
- 從電線儲藏格中抽出所需長度的電源線。
- 插上電源插頭。
- 要打開時,請將汁液出口的閉鎖裝置向前拉。
- 開機。

- **1**檔特別適用於加工軟質蔬果,例如西瓜、葡萄、番茄、黃瓜和覆盆子。
- **2**檔適用於堅固緊實的水果和蔬菜,例如,土豆。

對例如紅蘿蔔、黃瓜、蘋果和梨子等所有各類蔬果,本機器的使用時間為10分鐘。接著,要關機且使榨汁機冷卻下來。

- 在馬達運行狀態下,將蔬果給入到進料斗內。
- 僅限使用推料棒將食材推入。切勿將手指伸入進料斗內!對推料棒只要施加輕微壓力,這樣既可提高榨汁的榨取量,又可保護機器。
- 關機。按下開關 **0/off**。只要當不再有榨汁流出時,才可關機。

注意!

一定要等待馬達處於靜止狀態時,才可打開本機器。

重要提示

- 要在果渣滿及濾盤盤緣之前清空果渣容器。
- 如在榨汁過程中機器出現振動,則表明濾網有阻塞或有損壞。此時要立即關機,且檢查濾網。已損壞的濾網不要再使用!

清空果渣容器和濾網

→ 圖 9

要在果渣滿及濾盤盤緣之前清空果渣容器。為此要關機:

- 按下開關 **0/off**。
- 取出時,在抓槽處抓住果渣容器,且使其向外擺動。繼續工作之前,要將果渣容器重新裝上。

需要清空濾網,當

- 馬達轉速顯著下降,
- 榨汁變稠,
- 機器開始出現明顯的振動。

建议:同時清空果渣容器及濾網。

重要!

如果有榨汁流到了濾盤下,則要立即用一條濕巾清除這些榨汁。

拆卸

⚠ 電擊危險

工作前要先拔下機器的電源插頭。

⚠ 受傷危險

- 只有在馬達完全靜止時,才可拆卸機器。
- 不要觸及濾網底部的刨刀片 / 刀片。

→ 圖 D

- 關機並拔掉電源插頭。
- 等待馬達完全靜止(約10-12秒)。
- 要閉鎖時,請將汁液出口的閉鎖裝置向後推。
- 取下推料棒和果渣容器,
- 在下面向外拉兩個閉鎖箍。接著,在上面從蓋子手柄上拿下閉鎖箍。
- 取下蓋子。
- 用雙手將濾盤從馬達單元中提起且取出。
- 從濾盤上取下濾網。
- 將閉鎖裝置向左轉動且從出口處拉出。

清潔和保養

重要注意事項

本機免維護。仔細清潔可保護機器不受損且可維持其長期良好功能。

⚠ 電擊危險

- 工作前要先拔下機器的電源插頭。
- 切勿將主機浸泡在液體中,也不要將洗碗機洗滌。

⚠ 受傷危險

- 不要觸及濾網底部的刨刀片 / 刀片。
- 請使用刷子加以清潔!

注意!

請勿使用任何摩擦型的清潔劑。否則可能造成表面損壞。

- 清洗時,先用刷子清潔濾網,然後用流水沖洗濾網或將其放入到洗碗機中洗滌。
- 濕擦馬達單元,必要時,可使用稍許洗碗精。要立即擦乾馬達單元。
- 所有其它部件可放入洗碗機中洗滌。塑膠部件的染汙(例如因紅蘿蔔、甜菜蘿蔔所致)可用少許植物油輕易地被清除掉。接著,將這些部件置於洗碗機中洗滌(若適用於洗碗機)。

更換濾網

一經發現濾網有磨損或損壞跡象,就要進行更換,以避免發生斷裂危險。在每天使用時,大約5年後就應更換濾網。

重要注意事項

可向客戶服務另行選購濾網(訂購號00648221)。

食譜

瓜果-優酪乳-冰沙

(供4人飲用)

- 200克原味優酪乳
- 2捏香草
- 2湯匙蜂蜜,或依據個人口味
- 400克西瓜肉,無皮和無籽
- 將優酪乳與香草和蜂蜜攪拌均勻後,倒入高腳杯中。
- 將西瓜切片,榨汁。
- 倒入優酪乳中,並按照個人喜好,用一塊西瓜作為點綴。

黃瓜-酸牛奶-飲品

(供4人飲用)

- 2根黃瓜
- 800克酸牛奶
- 200克酸奶
- 2茶匙橄欖油
- 2湯匙檸檬汁
- 4湯匙切好的新鮮蒔蘿
- 海鹽
- 研磨胡椒粉
- 將黃瓜洗淨擦乾,用削皮刀縱向切出四條長片。
- 其餘部分榨汁。
- 接下來,將汁液與酸牛奶、優酪乳、油和檸檬汁混合。
- 然後,拌入蒔蘿,再用鹽和胡椒粉進行調味。
- 將黃瓜條以波浪形插入木簍。將飲品導入杯中,在放上黃瓜串。

辣椒蔬菜冰沙

(供4人飲用)

- 2個紅辣椒
- 8個成熟的番茄
- 1茶匙甜而不辣的辣椒粉
- ½茶匙橄欖油
- 鹽
- 胡椒
- 2茶匙檸檬汁
- 川椒用於裝飾
- 將辣椒洗淨，切半，取出種子和白色部分，切成大塊。
- 將番茄洗淨，切除莖部後，切塊。
- 將番茄和辣椒榨汁。
- 拌入辣椒粉和橄欖油，用鹽、胡椒和檸檬汁調味即可。
- 倒入冷卻的杯中，再用切碎的川椒點綴。

「熱帶」果汁

- 1個橘子
- ½芒果
- 1片鳳梨
- 1片西瓜
- 5個漿果(例如，草莓)
- 將橘子、鳳梨、西瓜和芒果去皮去籽。
- 將它們用一檔榨汁。
- 盛入玻璃杯中，待飲。

胡蘿蔔蛋糕

- 4個雞蛋
- 4湯匙溫水
- 200公克糖
- 100公克麵粉
- 500克胡蘿蔔
- 這裡僅使用榨汁後的胡蘿蔔殘留部分(200-300克)，它們在果肉收集盒中。
- 200公克磨碎的榛果
- 1茶匙發酵粉
- 將胡蘿蔔在最高速度下榨汁約5秒。(在加工量較大的情況下，每次清空果肉收集盒後，請將其冷卻。)
- 將雞蛋、水和糖攪拌約5分鐘。直至混合液體產生泡沫。
- 再緩慢地加入麵粉、泡打粉、榛果和胡蘿蔔。胡蘿蔔塊不能過大。
- 將混合物倒入模具(例如，直徑為260毫米烤盤)內，在180度的狀態下，烘焙30-35分鐘。

棄置



本設備說明是根據歐洲電子及電氣舊設備準則2012/19/EU (廢棄電子及電氣設備WEEE)。

此準則提供於歐盟成員對舊設備之報廢或使用標準。

保證

本電器的保修條款由銷售所在國家的代理商來訂制。有關這些條款的詳細資訊，請向購買電器的零售商洽詢。當根據保修條款進行任何索賠時，必須出具銷售憑證或收據。

本公司保留隨時修改這些條款的權利。

按照规程的使用

本设备规定只可用于私人家庭和家用环境。

本机器适用于榨取水果(例如苹果、梨子、去核梅子及樱桃)和蔬菜(例如番茄、胡萝卜)的汁液。不适合加工特别坚硬、含纤维或含淀粉的果蔬(例如甘蔗、香蕉、木瓜、鳄梨、无花果、芒果)。

仅限在室温及海拔 2000 米以下的室内使用机器。

重要安全须知

仔细阅读使用说明书,并保存本说明书以备以后使用!机器转让给他人使用时,请将本说明书一并转让。若不遵守本机器正确使用的规程,生产厂家将对由此而造成的损失不负任何责任。

凡身体、感官或智力有缺陷的人士以及缺乏相关经验和知识的人士,应在负责安全使用机器人员的监督或指导下,了解使用机器可能带来的危险后,方能使用本机器。请勿让儿童靠近本机器和电源线,且不得让儿童操作本机器。严禁儿童将本机器用于嬉戏。儿童不得对本机器进行清洁和保养。

电击和火灾危险!

- 仅可根据铭牌上的说明连接和操作本机器。电线和机器必须完好无损方可使用。机器修理事宜,如更换损坏的电源线,仅由我们的客户服务进行,才能避免危险发生。
- 切勿将机器连接到定时开关或遥控插座上。请于操作过程中随时查看本机器!
- 不能将机器放到高温表面(比如电炉)上,或者高温表面附近。电源线不能与高温零件接触,或者拉动电源线的尖锐边缘。
- 请勿将主机浸泡在水中或在水龙头下冲洗,也不要放入洗碗机洗涤。请勿使用蒸汽清洁器。请勿用潮湿的双手操作本机器。
- 请务必于下列情况下将本机器与电源断开:机器未在视线范围内,组装、分拆或清洁本机器前。

受伤危险!

- 每次使用前,都要检查整个机器,尤其要检查筛网和筛盘是否有损(裂缝、裂纹)。如果筛网或者盖子有明显的损坏或者有可见的裂纹,请不要继续使用机器。
- 更换运行中会移动的附件或附加零部件之前,应关机并与电源断开。驱动器在关机后仍会持续转动一段时间。请等到驱动器完全停止运行,才能进行调整。
- 仅可在组装完成的情况下操作本机器。在闭合闭锁箍时要小心,以免夹伤手指。
- 本机器仅供一人使用。
- 切勿将手指伸入进料斗内。仅限使用随附的推料棒!
- 使用锋利的刨刀片,排空容器和清洁时请小心。不要触及筛网底部的刨刀片。清洗筛网时,先用刷子清洁,然后用流水冲洗筛网或将其放入到洗碗机中清洗。

⚠ 窒息危险!

请勿让儿童用包装材料玩耍。

⚠ 注意!

- 建议加工完食材后应立即关机,勿让其长时间处于开机状态。请勿空转机器。
- 只能用旋转开关开机或者关机。

⚠ 重要!

- 仅只加工熟透和没有冰冻的果蔬。未熟透的果蔬会很快阻塞筛网。
- 要在果渣满及筛盘盘缘之前清空果渣容器。
- 如在榨汁过程中机器出现振动,则表明筛网有阻塞或有损坏。此时要立即关机。并检查筛网。已损坏的筛网不要再使用!
- 请于每次使用后或长时间未使用重新使用之前,务必彻底清洁本机器。→“清洁和维护”参见第 25 页

感谢您购买新的 Bosch 电器。

关于我们设备的详细信息请您登陆我们的网站查询。

内容

按照规程的使用	22
重要安全须知.....	22
产品概览	23
启动安全装置.....	23
操作方法	24
清洁和维护	25
食谱	25
处置	26
保修	26

产品概览

请将图示页摊开。

→ 图 4

- 1 电机单元(带电线储藏格)
- 2 开关
0/off 关闭设备
1 = 开启设备/低速
2 = 开启设备/高速
- 3 闭锁箍
- 4 果渣容器
- 5 榨汁出口闭锁(阻止滴水)

重要注意事项

- 开机时,闭锁装置必须是呈打开状态(闭锁装置向前)。若闭锁装置已经打开,则蔬果汁就流入到榨汁杯中。
- 在清空榨汁杯时,要关闭机器(0/off)和关闭闭锁装置(向后推)。这样就可阻止蔬果汁的继续流出,从而避免弄脏工作台面。

6 筛盘(带出口)**7 滤网****8 盖子****9 填充轴****10 推料棒****11 榨汁杯****12 泡沫分离板****13 榨汁杯盖****14 清洁刷****启动安全装置**

本机启动的前提条件是

- 筛盘和盖子安装正确,
 - 闭锁箍正确锁定并已卡入。
- 每次使用前都要检查盖子的锁定装置!

操作方法

→ 图 8

组装

⚠ 受伤风险

- 电线和机器必须完好无损方可使用。
- 每次使用前,都要检查整个机器,尤其要检查筛网和筛盘是否有损(裂缝、裂纹)。
- 不要触及筛网底部的刨刀片 / 刀片。
- 把闭锁装置(手柄向左)推上榨汁出口且推到底,再向上转动 90°。注意出口处已装好密封圈!
- 将筛盘放入到电机单元内。
- 装入筛网并将其向下按压,直到听到啮合的声音。筛网必须可靠地固定在传动装置上!之前先要检查筛网是否有损!
- 将果渣容器放入到电机单元内。
- 盖上盖子。
- 将两个闭锁箍挂入到盖子手柄中(1.),并向下按压,直至听到卡入声响为止(2.)。
- 将带有浇嘴的榨汁杯置于出口下。如喜好带有泡沫的果汁,则要取出泡沫分离板。给榨汁杯放上盖子,以避免榨汁飞溅。
- 将推料棒置入进料斗。推料棒有一导槽!

准备水果和蔬菜

注意!

仅只加工熟透和没有冰冻的果蔬。未熟透的果蔬会很快阻塞筛网。

- 首先清洗水果和蔬菜。
- 将核果去核。去除粗茎。
- 较大的水果和蔬菜要切成小块,以便能通过进料斗。
- 仅只加工新鲜果蔬。
- 果皮厚硬的果实(例如菠萝、甜瓜、橙子、甜菜萝卜)要先去皮。要去除柑橘类水果的白色衬皮!
- 苹果汁的稠度取决于所采用苹果的种类。苹果越是多汁,果汁的稠度就越低。向苹果汁中添加几滴柠檬汁,即可延缓果汁变成棕色的过程。
- 叶子和梗蒂(例如菜叶的秆茎)同样也可在本榨汁机中加工。
- 由于榨汁的口味和营养价值会快速失去,因此在制备完毕后要尽量立即饮用。
- 本榨汁机不适用于加工特别坚硬、含纤维或含淀粉的果蔬(例如甘蔗、香蕉、木瓜、鳄梨、无花果和芒果)。

榨汁

⚠ 受伤风险

切勿将手指伸入进料斗内。仅限使用随附的推料棒!

- 将组装好的机器置于平整和干净的工作台面上。
- 从电线储藏格中抽出所需长度的电源线。
- 将电源插头插上。
- 要打开时,请把榨汁出口的闭锁装置向前拉。
- 开机。
 - 1 档特别适用于加工软质果蔬,例如西瓜、葡萄、西红柿、黄瓜和覆盆子果。
 - 2 档适用于坚实的水果和蔬菜,例如胡萝卜。

对例如胡萝卜、黄瓜、苹果和梨子等所有各类果蔬,本机的使用时间为 10 分钟。接着,要关机并使榨汁机冷却下来。

- 在电机运行状态下,将果蔬给入到进料斗内。
- 仅限使用推料棒将食材推入。切勿将手指伸入进料斗内!对推料棒仅只施加轻微压力。这样既可提高榨汁的榨取量,又可保护机器。
- 关机。开关置于 0/off。只是当不再有榨汁流出时,方才关机。

注意!

一定要等待电机处于静止状态时,才能打开本机器。

重要提示

- 要在果渣满及筛盘盘缘之前清空果渣容器。
- 如在榨汁过程中机器出现振动,则表明筛网有阻塞或有损坏。此时要立即关机。并检查筛网。已损坏的筛网不要再使用!

清空果渣容器和筛网

→ 图 9

要在果渣满及筛盘盘缘之前清空果渣容器。为此要关机:

- 开关置于 0/off。
- 取出时,在抓槽处抓住果渣容器,并使其向外摆动。继续工作之前,要将果渣容器重又安上。

需要清空筛网,当

- 电机转速显著下降,
- 榨汁变稠,
- 机器开始出现明显的振动。

建议:同时清空果渣容器和筛网。

重要!

如果有榨汁流到了筛盘下,则要立即用一条湿巾清除这些榨汁。

拆卸**⚠ 有电击危险**

工作前要先拔下机器的电源插头。

⚠ 受伤风险

- 只是当电机完全静止时,方可拆卸机器。
- 不要触及筛网底部的刨刀片 / 刀片。

→ 图 D

- 关机并拔下电源插头。
- 等待电机完全静止(约 10-12 秒)。
- 要闭锁时,把榨汁出口的闭锁装置向后推。
- 取下推料棒和果渣容器。
- 在下面向外拉两个闭锁箍。接着,在上面从盖子手柄上拿下闭锁箍。
- 取下盖子。
- 用双手将筛盘从电机单元中提起并取出。
- 从筛盘上取下筛网。
- 把闭锁装置向左转动并从出口处拉出。

清洁和维护**重要注意事项**

本机器免维护。彻底清洁可保护机器受损并保障机器功能正常。

⚠ 有电击危险

- 工作前要先拔下机器的电源插头。
- 请勿将主机浸泡在液体中,也不要放入洗碗机洗涤。

⚠ 受伤风险

- 不要触及筛网底部的刨刀片 / 刀片。
- 请使用刷子加以清洁!

注意!

请勿使用磨蚀性清洁剂,否则可能造成机器表面损坏。

- 清洗时,先用刷子清洁筛网,然后用流水冲洗筛网或将其放入到洗碗机中清洗。
- 湿擦电机单元。必要时,可使用稍许洗碗剂。要立即擦干电机单元。
- 所有其他部件可放入洗碗机中洗涤。

塑料部件的染污(例如因胡萝卜、甜菜萝卜所致)可用少许植物油轻易地被清除掉。接着,将这些部件置于洗碗机中清洗(若适用于洗碗机)。

更换筛网

一经发现筛网有磨损或损坏迹象,就要实施更换,以避免发生断裂危险。在每天使用时,大约 5 年后就应更换筛网。

重要注意事项

可通过客户服务部门订购筛网(订购号:00648221)。

食谱**西瓜酸奶冰沙**

(适用于 4 种饮料)

- 200 克天然酸奶
- 2 刀尖香草髓
- 2 食匙蜂蜜,根据喜好
- 400 克西瓜瓤,无皮无籽
- 将酸奶和香草髓及蜂蜜一起搅拌均匀,然后将其装入一个高玻璃杯之中。
- 将西瓜切成大小合适的块状,然后榨汁。
- 用西瓜汁淋浇酸奶,并根据个人喜好用一块西瓜点缀即可享用。

黄瓜克非尔酸奶饮料

(适用于 4 种饮料)

- 2 根黄瓜
- 800 克克非尔酸奶
- 200 克酸奶
- 2 食匙橄榄油
- 2 食匙柠檬汁
- 4 食匙切碎的新鲜莳萝
- 海盐
- 用磨碎器磨碎的胡椒
- 黄瓜洗净、擦干,并用一个削皮器切下四个长片。
- 将余下的黄瓜榨汁。
- 接着,将黄瓜汁和克非尔酸奶、酸奶、油及柠檬汁一起混合。
- 然后,拌入莳萝,并用盐和胡椒调理饮料的味道。
- 将黄瓜条波浪状插在木扞上。将饮料盛入到玻璃杯中,杯上放置黄瓜木扞即可。

菜椒蔬菜冰沙

(适用于 4 种饮料)

- 2 个红菜椒
- 8 个熟透的西红柿
- 1 汤匙甜味菜椒粉
- ½ 汤匙橄榄油
- 盐
- 辣椒粉
- 2 汤匙柠檬汁
- 花椒作点缀用
- 菜椒洗净、切半、去核,并去除白色的内皮,然后切成大块。
- 西红柿洗净,切除西红柿蒂部后,将西红柿切成块。
- 将西红柿和菜椒榨汁。
- 把菜椒粉和橄榄油放在一起搅拌,并用盐、辣椒粉和柠檬汁调味。
- 盛入到一个冷玻璃杯中,并用磨碎的花椒点缀即可饮用。

“Tropical”热带汁

- 1 个橙子
- ½ 个芒果
- 1 片菠萝
- 1 片西瓜
- 5 粒浆果(例如草莓)
- 橙子、菠萝和西瓜去皮,芒果去核。
- 使用 **1** 档将上述食料一起榨汁。
- 饮料盛入玻璃杯中即可。

胡萝卜糕点

- 4 个鸡蛋
 - 4 汤匙热水
 - 200 克糖
 - 100 克面粉
 - 500 克胡萝卜
- 这里仅只使用胡萝卜榨汁后的残渣(200-300 克) — 该残渣位于果渣容器之中。
- 200 克磨碎的榛果
 - 1 小匙发酵粉

- 以最高速度榨胡萝卜汁 5 秒。(在加工量较大时,可以在每次清空果渣容器之后,等待机器冷却至室温。)
- 将鸡蛋、水和糖一起约拌合 5 分钟。混合物要有泡沫状外观。
- 慢慢加入面粉、发酵粉、榛果和胡萝卜。胡萝卜块不能太大。
- 把面团给入到一个模子(例如直径为 260 毫米的脱底模)中,在 180 度温度下烘烤 30-35 分钟。

处置



请以环保方式处置包装。
对本设备根据有关电气和电子设备报废的欧洲规定 2012/19/EU (waste electrical and electronic equipment — WEEE) 进行标记。该规定管理在欧洲范围内对报废设备的回收和再生。
请咨询专业零售商,了解可用的处置方式。

保修

该设备的保修条款将由售国国的销售代表来确定。您可向售出此设备的经销商详细了解这些条款。
当根据保修条款进行任何索赔时,必须出具销售凭证或收据。

如有更改,恕不另行通知。

سموثي الفلفل مع الخضار

(لعدد 4 مشروبات)

- 200 جم بندق مطحون
- ملعقة صغيرة من خميرة البيكنج بودر
- اعصر الجزر على أعلى سرعة لمدة 5 ثوان. (عند إعداد كميات كبيرة اترك الجهاز يبرد حتى درجة حرارة الغرفة بعد كل مرة تفرغ فيها وعاء النقل).
- اخلط البيض والماء والسكر لمدة 5 دقائق تقريبًا. يجب أن يبدو المزيج رغويًا.
- أضف إلى الخليط كلا من الطحين وخميرة البيكنج بودر والبندق والجزر ولكن ببطء. ينبغي ألا تكون قطع الجزر كبيرة.
- أضف العجين في قالب (مثل قالب الكيك القابل للفتح ذو قطر 260 مم) وضعها في الفرن لمدة 30-35 دقيقة على درجة حرارة 180 درجة مئوية.

- ثمرتان من الفلفل الأحمر
- 8 طماطم ناضجة كاملاً
- ملعقة صغيرة من مسحوق الفلفل، محلى
- نصف ملعقة صغيرة زيت زيتون
- ملح
- فلفل أحمر
- ملعقتان صغيرتان من عصير ليمون
- فلفل سيشوان للتزيين
- اغسل ثمار الفلفل واقطعها نصفين، وانزع منها البذور والقشور الداخلية البيضاء، ثم قطعها إلى قطع كبيرة.
- اغسل الطماطم وانزع موضع الساق منها ثم قطعها.
- اعصر الطماطم وثمار الفلفل.
- اخلط المكونات مع مسحوق فلفل وزيت زيتون، ثم أضف حسب المذاق كلا من الملح والفلفل الأحمر وعصير الليمون.
- أضف الخليط في كوب بارد وزينه بفلفل السيشوان المطحون عند التقديم.

التخلص من الجهاز

- تخلص من عبوة الجهاز بأسلوب يدعم الحفاظ على البيئة. هذا الجهاز مطابق للمواصفة الأوروبية 19/2012/المجموعة الاقتصادية الأوروبية الخاصة بالأجهزة الكهربائية والإلكترونية القديمة



- (waste electrical and electronic equipment – WEEE).
- وهذه المواصفة تحدد الإطار العام لقواعد تسري في جميع دول الاتحاد الأوروبي بخصوص استعادة الأجهزة القديمة وإعادة استغلالها. قومي باستشارة موزعك المحلي لمعرفة أحدث الانظمة المتبعة حالياً للتخلص من الاجهزة القديمة.

شروط الضمان

- يتم تحديد شروط الضمان لهذا الجهاز من قبل ممثلنا في الدولة التي يتم فيها بيع الجهاز.
- يمكنك الحصول على تفاصيل هذه الشروط من قبل الموزع الذي اشتريته منه الجهاز. يرجى إحضار فاتورة أو إيصال الشراء في حال أصاب جهازك أي طارئ يغطيه الضمان.

نحتفظ بحقنا في إجراء أية تعديلات.

عصير الفواكه الاستوائية

- برتقالة
- نصف ثمرة مانجو
- شريحة أناناس
- شريحة بطيخ
- 5 ثمرات توت (مثل الفراولة).
- انزع القشر من ثمار البرتقال والأناناس والبطيخ وكذلك البذر من المانجو.
- اعصر جميع المكونات على درجة 1.
- أضف المشروب في الأكواب للتقديم.

عكة الجزر

- 4 بيضات
- 4 ملاعق كبيرة ماء دافئ
- 200 جم سكر
- 100 جرام طحين
- 500 جم جزر
- هنا تُستخدم فقط رواسب عصير الجزر (300-200 جم) - حيث تكون موجودة في وعاء النقل

التنظيف والعناية

تنبيه هام

الجهاز ليس في حاجة إلى صيانة. التنظيف الجيد يكفل مدة عمر تشغيل أطول ويحمي الجهاز من الأضرار.

⚠️ خطر الصعق الكهربائي

- قبل القيام بأية أعمال على الجهاز افصل القابس الكهربائي عن مصدر التيار.
- إياك أن تغمر الجهاز الأساسي في مادة سائلة ولا أن تنظفها في ماكينة غسل الأطباق.

⚠️ خطر حدوث إصابات

- لا تلمس شفرات البشر / الشفرات الموجودة بأرضية المصفاة.
- يجب استخدام فرشاة لإجراء التنظيف.

تنبيه!

- يجب عدم استخدام أي مواد تنظيف حاكة أو خشنة. الأسطح الخارجية تكون معرضة للتلف.
- نظف المصفاة أولاً باستخدام الفرشاة، ثم اشطفها تحت الماء الجاري، أو نظفها في غسالة الأواني.
- اغسل وحدة المحرك على الرطب وعند اللزوم استخدم القليل من مادة الشطف. جفف وحدة المحرك فوراً.
- جميع الأجزاء الأخرى يمكن غسلها في غسالة الأواني.
- يمكن إزالة التغيرات اللونية (مثل الناتجة عن الجزر والبنجر الأحمر) بالأجزاء البلاستيكية بسهولة باستخدام زيت نباتي. ثم ضع الأجزاء في غسالة الأواني (مادامت صالحة لذلك).

استبدال المصفاة

استبدل المصفاة بمجرد ظهور أول علامة على التآكل أو التلف، تجنباً لأي خطر انكسار. وعند الاستخدام اليومي ينبغي استبدال المصفاة بعد 5 سنوات تقريباً.

تنبيه هام

يمكن الحصول على المصفاة لدى أحد مراكز خدمة العملاء التابعة لنا (رقم طلب المنتج 00648221).

وصفات

سموثي الزبادي بالبطيخ

(لعدد 4 مشروبات)

- 200 جم زبادي طبيعي
- نثران من لب الفانيليا
- معلقتان كبيرتان من العسل، حسب الذوق
- 400 جم من لب البطيخ، بدون قشر ولا بذور
- اخلط الزبادي مع لب الفانيليا والعسل تماماً وضع الخليط في كوب كبير.
- قطع البطيخ إلى قطع متساوية وقم بعصرها.
- صب العصير على الزبادي وزين الكوب بقطعة بطيخ حسب الذوق.

مشروب الخيار مع الكفير

(لعدد 4 مشروبات)

- خيارتان
- 800 جم كفير
- 200 جم زبادي
- معلقتان صغيرتان زيت زيتون
- معلقتان كبيرتان من عصير ليمون
- 4 ملاعق كبيرة من الشبث الطازج المفروم
- ملح يودي
- فلفل أسود مطحون
- اغسل الخيار وامسحه واقطع أربع شرائح باستخدام مقشرة.
- قم بعصر باقي الخيار.
- ثم اخلط العصير مع الكفير والزبادي والزيت وعصير الليمون.
- ثم امزج الشبث وقلبه وأصف الملح والفلفل الأسود إلى المشروب.
- ثبت شرائح الخيار على أعواد الخشب حسب الرغبة. أصف المشروب في الأكواب وضع الأعواد المزودة بالخيار فوقه.

استخلاص العصارة

⚠️ خطر حدوث إصابات

لا تدخل أصابعك في فتحة الملعق. فلا تستخدم سوى الكباس المرفق!

■ ضع الجهاز بعد تجميعه على سطح عمل أملس ونظيف.

■ اسحب سلك التوصيل الكهربائي من مخزن الكابل وأخرجه بالطول المطلوب.

■ أدخل قابس الجهاز في المقبس.

■ ادفع قفل الإغلاق الموجود على مجرى تدفق العصير إلى الأمام لكي يتم فتحه.

■ شغل الجهاز.

– الدرجة 1 مناسبة تمامًا للفاكهة / الخضروات اللينة، مثل البطيخ والعنب والطماطم والخيار والتوت.

– الدرجة 2 مناسبة للفاكهة والخضروات الصلبة والجمادة مثل البطاطس.

تبلغ مدة تشغيل الجهاز 10 دقائق لجميع أنواع الفاكهة والخضروات، مثل الجزر والخيار والتفاح والكمثرى. وبعدها أوقف الجهاز واتركه يبرد.

■ أدخل الفاكهة/الخضروات في فتحة الملعق أثناء تشغيل المحرك.

■ لإدخال مكونات لاحقاً يجب عدم استخدام أي شيء سوى الكباس. لا تدخل أصابعك أبداً في فتحة الملعق. اضغط فقط برفق على الكباس. فهذا يزيد من إنتاج العصير ويحافظ على الجهاز.

■ أوقف تشغيل الجهاز. انقل المفتاح إلى الوضع

0/off. لا توقف الجهاز إلا بعدما يتوقف خروج العصير.

تنبيه!

انتظر دائماً حتى يتوقف المحرك قبل فتح الجهاز.

تنبيهات هامة

– أفرغ وعاء الثفل قبل وصول الثفل إلى حافة وعاء المصفاة.

– اهتزاز الجهاز أثناء استخلاص العصير يشير إلى وجود انسداد أو ضرر بالمصفاة. قم على الفور بإيقاف تشغيل الجهاز. افحص المصفاة. لا

تواصل استخدام المصفاة المتضررة.

إفراغ وعاء الثفل والمصفاة

← الصورة C

أفرغ وعاء الثفل قبل وصول الثفل إلى حافة وعاء المصفاة. لفعل ذلك أوقف تشغيل الجهاز،

■ انقل المفتاح إلى الوضع **0/off**.

■ عند إخراج وعاء الثفل أمسكه من التجويف

المخصص لذلك واسحبه للخارج. قبل مواصلة العمل أعد تركيب وعاء الثفل.

يجب إفراغ المصفاة عندما

– تنخفض سرعة المحرك بشدة،

– يصبح العصير أكثر كثافة،

– يبدأ الجهاز في الاهتزاز بوضوح.

توصية: أفرغ وعاء الثفل والمصفاة في الوقت ذاته.

هام!

إذا تسرب العصير أسفل وعاء المصفاة، فامسحه سريعاً بقطعة قماش رطبة.

تفكيك الجهاز

⚠️ خطر الصعق الكهربائي

قبل القيام بأية أعمال على الجهاز افصل القابس

الكهربائي عن مصدر التيار.

⚠️ خطر حدوث إصابات

– لا تقم بتفكيك الجهاز إلا بعدما يتوقف المحرك.

– لا تلمس شفرات البشر / الشفرات الموجودة

بأرضية المصفاة.

← الصورة D

■ أوقف تشغيل الجهاز واسحب قابس الجهاز من

مقبس الشبكة الكهربائية.

■ انتظر حتى يتوقف المحرك (حوالي

10-12 ثانية).

■ ادفع قفل الإغلاق الموجود على مجرى تدفق

العصير إلى الخلف لكي يتم إغلاقه.

■ انزع الكباس ووعاء الثفل.

■ اسحب ذراعي القفل بالأسفل نحو الخارج. ثم

ارفعهما من عروات الغطاء بالأعلى.

■ اخلع الغطاء.

■ ارفع وعاء المصفاة من وحدة المحرك باستخدام

كلتا يديك.

■ انزع المصفاة من وعائها.

■ قم بإدارة قفل الإغلاق في اتجاه اليسار وقم بسحبه

وإخراجه من مجرى تدفق العصير.

- 6 وعاء المصفاة مع مجرى تدفق العصير
- 7 المصفاة
- 8 غطاء
- 9 فتحة ملء
- 10 كباس
- 11 وعاء العصير
- 12 حاجز الرغوة
- 13 غطاء وعاء العصير
- 14 فرشاة التنظيف
- علّق ذراعي القفل في عروتي الغطاء (1.) واضغطهما للأسفل حتى يستقرا بصوت مسموع (2.).
- ضع وعاء العصير مع جعل الفوهة أسفل مجرى تدفق العصير. أزل حاجز الرغوة من وعاء العصير إذا كنت تفضل العصير بالرغوة. ركب الغطاء على وعاء العصير لتجنب الرذاذ.
- أدخل الكباس في فتحة الملء. يحتوي الكباس على حز توجيهي.

تحضير الفاكهة والخضروات

تنبيه!

لا تستخدم في إعداد الطعام سوى الفاكهة والخضروات الناضجة وغير المجمّدة. فالفاكهة والخضروات غير الناضجة تسد المصفاة بسرعة كبيرة.

- اغسل الخضروات والفواكه أولاً.
- أزل البذور من الفاكهة. أزل السيقان الكبيرة.
- قم بتقطيع الفاكهة والخضروات الكبيرة حتى يمكن تمريرها في فتحة الملء.
- لا تستخدم في إعداد الطعام سوى الفاكهة والخضروات الطازجة.
- قم بتقسير الفاكهة ذات القشرة السمكية والقاسية (مثل الأناناس والبطيخ والبرتقال والبنجر الأحمر) قبل عصرها. أزل القشرة البيضاء من فاكهة الموالح.
- تتعلق كثافة عصير التفاح بنوع التفاح المستخدم. فكلما كان التفاح يحتوي على عصير أكثر أصبحت كثافة العصير أخف. أضف بعض القطرات من عصير الليمون إلى عصير التفاح حتى توخر تغير لون العصير إلى البني.
- يمكن عصر الأوراق والسيقان (مثل جذوع الخس) في هذه العصاره.
- احرص على شرب العصير بعد إعدادها فوراً قبل أن يفقد العصير مذاقه وقيمته الغذائية سريعاً.
- العصاره غير مناسبة لعصر الفاكهة شديدة الصلابة أو كثيرة الألياف أو الغنية بالنشا (مثل قصب السكر والموز والباباي والأفوكادو والتين والمانجو).

التأمين ضد التشغيل الخاطئ

لا يمكن تشغيل الجهاز إلا عندما

- يكون وعاء المصفاة والغطاء مركبين بطريقة صحيحة
- ويكون ذراع القفل مغلقاً ومثبتاً بطريقة صحيحة.
- تأكد من غلق الغطاء قبل أي استخدام.

استخدام الجهاز

← الصورة B

التجميع

⚠ خطر حدوث إصابات

- كما يجري استخدام الجهاز فقط إذا لم تكن هناك أضراراً قد لحقت به أو بسلك التوصيل الكهربائي الخاص به.
- تحقق من خلو الجهاز بأكمله وبخاصة المصفاة ووعاء المصفاة من أي أضرار (شقوق، شروخ) وذلك قبل أي استخدام.
- لا تلمس شفرات البشر/الشفرات الموجودة بأرضية المصفاة.
- قم بدفع قفل الإغلاق (مع كون المقبض في اتجاه اليسار) على مجرى تدفق العصير حتى النهاية، وبقم بإدارته لأعلى بمقدار 90 درجة. يجب التأكد من أن حلقة إحكام السد على مجرى تدفق العصير موجودة بالفعل!
- ركب وعاء المصفاة في وحدة المحرك.
- ركب المصفاة واضغط عليها للأسفل حتى تستقر بصوت مسموع. يجب أن تكون المصفاة مثبتة تمامًا على المحرك! تأكد قبل ذلك من عدم وجود أي أضرار.
- ركب وعاء الثقل في وحدة المحرك.
- ركب الغطاء.

- كن حريصًا عند التعامل مع شفرات البشر وعند إفراغ الوعاء وكذلك عند التنظيف. لا تلمس شفرات البشر الموجودة بأرضية المصفاة. نظف المصفاة أولاً باستخدام الفرشاة، ثم اشطفها تحت الماء الجاري، أو نظفها في غسالة الأواني.

⚠ خطر الاختناق!

لا تدع الأطفال يلعبون بمواد التعبئة والتغليف للجهاز.

⚠ تنبيه هام!

- يُنصح بعدم ترك الجهاز دائرًا لمدة أطول مما هو لازم لصنع المواد الغذائية. لا تقم بتشغيله دون وجود خليط.
- يجب عدم تشغيل وإيقاف تشغيل الجهاز إلا باستخدام المفتاح الدوار وحده دون غيره.

⚠ هام!

- لا تستخدم في إعداد الطعام سوى الفاكهة والخضروات الناضجة وغير المجمدة. فالفاكهة والخضروات غير الناضجة تسد المصفاة بسرعة كبيرة.
- أفرغ وعاء الثقل قبل وصول الثقل إلى حافة وعاء المصفاة.
- اهتزاز الجهاز أثناء استخلاص العصير يشير إلى وجود انسداد أو ضرر بالمصفاة. قم على الفور بإيقاف تشغيل الجهاز. افحص المصفاة. لا تواصل استخدام المصفاة المتضررة.
- يجب تنظيف الجهاز جيدًا بعد كل استخدام له أو بعد طول فترة عدم الاستخدام. ← «التنظيف والعناية» انظر صفحة ar-5

نظرة عامة

رجاء فرد الصفحة المحتوية على الصور.

← الصورة A

- 1 وحدة المحرك (مع مخزن كابل)
- 2 المفتاح

0/off إيقاف الجهاز

1 = تشغيل الجهاز / سرعة منخفضة

2 = تشغيل الجهاز / سرعة عالية

3 ذراع القفل

4 وعاء الثقل

5 قفل إغلاق لمجرى تدفق العصير (إيقاف تساقط القطرات)

تنبيه هام

- عند تشغيل الجهاز يجب أن يكون القفل مفتوحًا (أن يكون القفل في المقدمة تمامًا). في حالة القفل المفتوح يتدفق العصير إلى وعاء العصير.
- عند إفراغ وعاء العصير أوقف الجهاز (0/off) وأغلق القفل (بالدفع نحو الخلف). وبذلك يُمنع استمرار خروج العصير ومن ثم يُتجنب اتساخ سطح العمل.

نتقدم لكم بأصدق التهاني على شرائكم لهذا الجهاز الجديد من ماركة **Bosch**. وتجدون المزيد من المعلومات حول منتجاتنا في موقع الإنترنت الخاص بنا.

المحتويات

ar-1	الاستعمال المطابق للتعليمات
ar-1	إرشادات الأمان المهمة
ar-2	نظرة عامة
ar-3	التأمين ضد التشغيل الخاطئ
ar-3	استخدام الجهاز
ar-5	التنظيف والعناية
ar-5	وصفات
ar-6	التخلص من الجهاز
ar-6	شروط الضمان

الاستعمال المطابق للتعليمات

هذا الجهاز مخصص للاستخدام المنزلي فقط.
 الجهاز مناسب لعصر الفاكهة (مثل التفاح والكمثرى والبرقوق والكرز منزوع البذر) والخضروات (مثل الطماطم والجزر). وهو غير مناسب لعصر الفاكهة والخضروات شديدة الصلابة أو كثيرة الألياف أو الغنية بالنشا (مثل قصب السكر والموز والباباي والأفوكادو والتين والمانجو).
 لا تستخدم الجهاز سوى في الأماكن الداخلية وفي درجة حرارة الغرفة، وعلى ارتفاع أقل من 2000 متر فوق مستوى سطح البحر.

إرشادات الأمان المهمة

يُرجى قراءة هذه الإرشادات بعناية، والتصرف بناءً على ذلك ثم الحفاظ عليها! عند نقل الجهاز للغير يجب إرفاق هذا الدليل معه. عدم الالتزام بتطبيق التعليمات الخاصة بالاستخدام الصحيح للجهاز يترتب عليه عدم تحمل منتج الجهاز لأي مسؤولية عن الأضرار الناتجة من جراء ذلك. يُسمح باستخدام هذا الجهاز من قِبَل الأشخاص الذين يعانون من نقص في القدرات الجسدية أو الحسية أو العقلية أو الأشخاص الذين لديهم قصور في الخبرة أو المعرفة شريطة أن يتم مراقبتهم أو توجيههم إلى كيفية الاستخدام الآمن للجهاز مع التأكد من إدراكهم للأخطار المرتبطة بذلك. أما الأطفال فيجب إبعادهم عن الجهاز وعن توصيلاته الكهربائية، ولا يُسمح لهم بتشغيل الجهاز. لا يجوز للأطفال العبث بالجهاز. أعمال التنظيف وصيانة المستعمل لا يسمح بأن يقوم بها الأطفال.

⚠️ خطر الصعق الكهربائي وخطر الحريق!

- يجري توصيل وتشغيل الجهاز بالتيار الكهربائي فقط طبقاً للبيانات الموضحة على لوحة المواصفات الفنية. كما يجري استخدام الجهاز فقط إذا لم تكن هناك أضراراً قد لحقت به أو بسلك التوصيل الكهربائي الخاص به. لا يُسمح بإجراء إصلاحات على الجهاز، كاستبدال سلك التوصيل الكهربائي التالف، إلا من قِبَل مركز خدمة العملاء الخاص بنا، وذلك من أجل تجنب المخاطر.
- لا توصل الجهاز بالمفاتيح الكهربائية التلقائية أو بمقابس التحكم عن بُعد. احرص على مراقبة الجهاز دائماً أثناء تشغيله!
- لا تضع الجهاز على سطح ساخن أو بالقرب منه، مثل صفيحة الموقد. لا تجعل سلك التوصيل الكهربائي يتلامس مع أجزاء ساخنة ولا تسحبه على حواف حادة.
- يحظر مطلقاً غمر الجهاز الأساسي في سوائل، أو وضعه تحت ماء جاري، أو تنظيفه في غسالة الأواني. لا تستخدم جهاز التنظيف بالبخار. لا تستعمل الجهاز ويداً مبتلتان.
- يجب فصل الجهاز من مصدر الطاقة دوماً بعد كل استخدام، في حالة انعدام الإشراف، أو قبل التجميع، أو التفكيك، أو التنظيف، أو في حالة ظهور أخطاء على الجهاز.

⚠️ خطر حدوث إصابات!

- تحقق من خلو الجهاز بأكمله وبخاصة المصفاة ووعاء المصفاة من أي أضرار (شقوق، شروخ) وذلك قبل أي استخدام. ولا تستخدم الجهاز في حالة ظهور أضرار أو تشققات بالمصفاة أو الغطاء.
- قبل تغيير ملحقات تكميلية أو أجزاء إضافية يتم تحريكها أثناء التشغيل يلزم دائماً إيقاف تشغيل الجهاز وفصله عن شبكة التغذية بالتيار الكهربائي. بعد إيقاف تشغيل الجهاز فإن وحدة الإدارة تظل دائرة لبرهة قصيرة. يجب الانتظار حتى تكون وحدة الإدارة قد أصبحت في وضع السكون التام.
- لا تشغل الجهاز إلا وهو مجمّع. كن حذراً عند غلق ذراع القفل حتى لا تنحسر أصابعك.
- الجهاز مصمم للاستخدام من قبل الأشخاص.
- لا تدخل أصابعك في فتحة الملاء. فلا تستخدم سوى الكباس المرفق!

Kundendienst – Customer Service

DE Deutschland, Germany

BSH Hausgeräte Service GmbH
Zentralwerkstatt für kleine Hausgeräte
Trautskirchener Strasse 6-8
90431 Nürnberg

Online Auftragsstatus, Filterbeutel-
Konfigurator und viele weitere
Infos unter:
www.bosch-home.com

Reparaturservice, Ersatzteile &
Zubehör, Produkt-Informationen:
Tel.: 0911 70 440 040

<mailto:cp-servicecenter@bshg.com>
Wir sind an 365 Tagen rund um die Uhr
erreichbar.

AE United Arab Emirates, الإمارات العربية المتحدة

BSH Home Appliances FZE
Round About 13,
Plot Nr MO-0532A
Jebel Ali Free Zone – Dubai
Tel.: 04 881 4401
<mailto:service.uae@bshg.com>
www.bosch-home.com/ae

AL Republika e Shqiperise, Albania

ELEKTRO-SERVIS sh.p.k
Rr. Shkelqim Fusha, Selite,
Pallati "Matrix Konstruktion",
Kati 0 dhe +1
1023 Tirane
Tel.: 4 2278 130, -131
Fax: 4 2278 130
<mailto:info@elektro-servis.com>

EXPERT SERVIS
Rruga e Kavajes,
Kulla B Nr 223/1 Kati I
1023 Tirane
Tel.: 4 480 6061
Tel.: 4 227 4941
Fax: 4 227 0448
Cel: +355 069 60 45555
<mailto:info@expert-servis.al>

AT Österreich, Austria

BSH Hausgeräte Gesellschaft mbH
Werkkundendienst für Hausgeräte
Quellenstrasse 2a
1100 Wien

Online Reparaturannahme,
Ersatzteile und Zubehör und viele
weitere Infos unter:
www.bosch-home.at
Reparaturservice, Ersatzteile & Zubehör,
Produktinformationen
Tel.: 0810 550 511
<mailto:vie-stoerungsannahme@bshg.com>
Wir sind an 365 Tagen rund um die Uhr für
Sie erreichbar.

AU Australia

BSH Home Appliances Pty. Ltd.
Gate 1, 1555 Centre Road
Clayton, Victoria 3168
Tel.: 1300 369 744*
Fax: 1300 306 818
<mailto:aftersales.au@bshg.com>
www.bosch-home.com.au
*Mo-Fr: 24 hours

BA Bosna i Hercegovina, Bosnia-Herzegovina

"HIGH" d.o.o.
Gradačacka 29b
71000 Sarajevo
Tel.: 061 10 09 05
Fax: 033 21 35 13
mailto:bosch_siemens_sarajevo@yahoo.com

BE Belgique, België, Belgium

BSH Home Appliances S.A.
Avenue du Laerbeek 74
Laarbeeklaan 74
1090 Bruxelles – Brussel
Tel.: 070 222 141
Fax: 024 757 291
<mailto:bru-repairs@bshg.com>
www.bosch-home.be

BG Bulgaria

BSH Domakinski Uredi Bulgaria EOOD
115K Tsarigradsko Chaussée Blvd.
European Trade Center Building, 5th floor
1784 Sofia
Tel.: 0700 208 17
Fax: 02 878 79 72
<mailto:informacia.servis-bg@bshg.com>
www.bosch.home.bg

BH Bahrain, مملكة البحرين

Khalaifat Est.
P.O. Box 5111
Manama
Tel.: 01 7400 553
<mailto:service@khalaifat.com>

BY Belarus, Беларусь

ООО "БСХ Бытовая техника"
ten.: 495 737 2961
<mailto:mok-kdhl@bshg.com>

CH Schweiz, Suisse, Svizzera, Switzerland

BSH Hausgeräte AG
Werkkundendienst für Hausgeräte
Fahrweidstrasse 80
8954 Geroldswil
<mailto:ch-info.hausgeraete@bshg.com>

Service Tel.: 0848 840 040
Service Fax: 0848 840 041
<mailto:ch-reparatur@bshg.com>
Ersatzteile Tel.: 0848 880 080
Ersatzteile Fax: 0848 880 081
<mailto:ch-ersatzteil@bshg.com>
www.bosch-home.com

CY Cyprus, Κύπρος

BSH Ikiakes Syskeves-Service
39, Arh. Makaanriou III Str.
2407 Egomi/Nikosia (Lefkosia)
Tel.: 7777 8007
Fax: 022 658 128
<mailto:bsh.service.cyprus@cytanet.com.cy>

CZ Česká Republika, Czech Republic

BSH domácí spotřebiče s.r.o.
Firemní servis domácích spotřebičů
Pekařská 10b
155 00 Praha 5
Tel.: 0251 095 546
Fax: 0251 095 549
www.bosch-home.com/cz

DK Danmark, Denmark

BSH Hvidevarer A/S
Telegrafvej 4
2750 Ballerup
Tel.: 44 89 89 85
Fax: 44 89 89 86
<mailto:BSH-Service-DK@BSHG.com>
www.bosch-home.dk

EE Eesti, Estonia

SIMSON OÜ
Türi tn.5
11313 Tallinn
Tel.: 0627 8730
Fax: 0627 8733
<mailto:servicenet@servicenet.ee>
www.simson.ee

Renerki Kaubanduse OÜ
Tammisaare tee 134B (Euronicsi kaupluses)
12918 Tallinn
Tel.: 0651 2222
Fax: 0516 7171
<mailto:klienditeenindus@renerk.ee>
www.renerk.ee

Eliser OÜ

Mustamäe tee 24
10621 Tallinn
Tel.: 0665 0090
<mailto:hooldus@eliser.ee>
www.kodumasinatate-remont.ee

ES España, Spain


BSH Electrodomésticos España S.A.
Servicio Oficial del Fabricante
Parque Empresarial PLAZA,
C/ Manfredonia, 6
50197 Zaragoza
Tel.: 902 245 255 o 976 305 713
Fax: 976 578 425
<mailto:CAU-Bosch@bshg.com>
www.bosch-home.es

FI Suomi, Finland

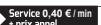
BSH Kodinkoneet Oy
Itälähdenkatu 18 A, PL 123
00201 Helsinki
Tel.: 0207 510 700
Fax: 0207 510 780
<mailto:Bosch-Service-FI@bshg.com>
www.bosch-home.fi
Lankapuhelimesta 8,28 snt/puhelu
+ 7 snt/min (alv 24%)
Matkapuhelimesta 8,28 snt/puhelu
+ 17 snt/min (alv 24%)

FR France

BSH Electroménager S.A.S.
50 rue Ardoin – CS 50037
93406 SAINT-OUEN cedex
Service interventions à domicile:
01 40 10 11 00
Service Consommateurs:

0 892 698 010 

<mailto:soa-bosch-conso@bshg.com>
Service Pièces Détachées et
Accessoires:

0 892 698 009 

www.bosch-home.fr

GB Great Britain

BSH Home Appliances Ltd.
Grand Union House
Old Wolverton Road
Wolverton
Milton Keynes MK12 5PT
To arrange an engineer visit, to order spare parts and accessories or for product advice please visit www.bosch-home.co.uk or call Tel.: 0344 892 8979*

*Calls are charged at the basic rate, please check with your telephone service provider for exact charges

GR Greece, Ελλάδα

BSH Ikiakes Siskeves A.B.E.
Central Branch Service
17 km E.O. Athinon-Lamias & Potamou 20
14564 Kifisia
Πανελλήνιο τηλέφωνο: 181 82 (Αστική χρέωση)
mailto:nkf-CustomerService@bshg.com
www.bosch-home.gr

HK Hong Kong, 香港

BSH Home Appliances Limited
Unit 1 & 2, 3rd Floor,
North Block, Skyway House,
3 Sham Mong Road
Tai Kok Tsui, Kowloon
Hong Kong
Tel.: 2565 6151
Fax: 2565 6681
mailto:bosch.hk.service@bshg.com
www.bosch-home.cn

HR Hrvatska, Croatia

BSH kućni uređaji d.o.o.
Kneza Branimira 22
10000 Zagreb
Tel.: 01 552 08 88
Fax: 01 640 36 03
mailto:informacije.servis-hr@bshg.com
www.bosch-home.com/hr

HU Magyarország, Hungary

BSH Háztartási Készülék
Kereskedelmi Kft.
Háztartási gépek márkaszervize
Királyhágó tér 8-9.
1126 Budapest

Hibabejelentés
Tel.: +361 489 5461
Fax: +361 201 8786
mailto:hibabejelentés@bsh.hu
Alkatrészrendelés
Tel.: +361 489 5463
Fax: +361 201 8786
mailto:alkatrészrendeles@bsh.hu
www.bosch-home.com/hu

IE Republic of Ireland

BSH Home Appliances Ltd.
Unit F4, Ballymount Drive
Ballymount Industrial Estate
Walkinstown
Dublin 12
Service Requests, Spares and Accessories
Tel.: 01450 2655*
Fax: 01450 2520
www.bosch-home.co.uk
*0.03 € per minute at peak.
Off peak 0.0088 € per minute.

IL Israel, ישראל

C/S/B/ Home Appliance Ltd.
1, Hamasger St.
North Industrial Park
Lod, 7129801
Tel.: 08 9777 222
Fax: 08 9777 245
mailto:csb-serv@csb-ltd.co.il
www.bosch-home.co.il

IN India, Bhārat, भारत

BSH Household Appliances
Mfg. Pvt. Ltd. Arena House, Main Bldg,
2nd Floor,
Plot No. 103, Road No. 12,
MIDC, Andheri East
Mumbai 400 093
Toll Free 1800 266 1880*
www.bosch-home.com/in
* Mo-Sa: 8.00am to 8.00pm
(exclude public holidays)

IS Iceland

Smith & Norland hf.
Noatuni 4
105 Reykjavik
Tel.: 0520 3000
Fax: 0520 3011
www.sminor.is

IT Italia, Italy

BSH Elettrodomestici S.p.A.
Via. M. Nizzoli 1
20147 Milano (MI)
Numero verde 800 829 120
mailto:info.it@bosch-home.com
www.bosch-home.com/it

KZ Kazakhstan, Қазақстан

IP Turebekov Yerzhan
Nurmanovich
Jangeldina str. 15
Shimkent 160018
Tel.: 0252 31 00 06
mailto:evrika_kz@mail.ru

LB Lebanon, لبنان

Teheni, Hana & Co.
Boulevard Dora 4043 Beyrouth
P.O. Box 90449
Jdeideh, 1202 2040
Tel.: 01 255 211
mailto:Info@Teheni-Hana.com

LT Lietuva, Lithuania

Senuku prekybos centras UAB
Jonavos g. 62
44192 Kaunas
Tel.: 0372 12146
Fax: 0372 12165
www.senukai.lt

UAB "AG Service"
R. Kalantos g. 32
52494 Kaunas
Tel.: 0700 556 55
Fax: 037 331 363
mailto:servisas@agservice.lt
www.agservice.lt

Baltic Continent Ltd.
Lukšio g. 23
09132 Vilnius
Tel.: 05 274 1788
Fax: 05 274 1722
mailto:info@balticcontinent.lt
www.balticcontinent.lt

LU Luxembourg

BSH électroménagers S.A.
13-15, ZI Breedeweues
1259 Senningerberg
Tel.: 26349 300
Fax: 26349 315
Reparaturen: lux-repair@bshg.com
Ersatzteile: lux-spare@bshg.com
www.bosch-home.com/lu

LV Latvija, Latvia

SIA "General Serviss"
Bulju iela 70c
1067 Rīga
Tel.: 06742 52 32
mailto:info@serviscentrs.lv
www.serviscentrs.lv

Elkor Serviss
Brīvības gatve 201
1039 Rīga
Tel.: 067 070 520; -36
Fax: 067 070 524
mailto:info@elkorserviss.lv
www.elkorserviss.lv

Sia Elektronika-Serviss
Tadaikū iela 4
1004 Rīga
Tel.: 067 717 060
Fax: 067 601 235
mailto:serviss@elektronika.lv
www.elektronika.lv

MD Moldova

S.R.L. "Rialto-Studio"
ул. Цузева 98
2012 Кишинев
тел./ факс: 022 23 81 80
mailto:bosch-md@mail.ru

ME Crna Gora, Montenegro

Elektronika komerc
Ul. Slobode 17
84000 Bijelo Polje
Tel./Fax: 050 432 575
Mobil: 069 324 812
mailto:ekobosch.servis@t-com.me

MK Macedonia, Македонија

GORENEC
Jane Sandanski 69 lok. 3
1000 Skopje
Tel.: 022 454 600
Mobil: 070 697 463
mailto:gorenecc@yahoo.com

MT Malta

Oxford House Ltd.
Notabile Road
Mriehel BKR 14
Tel.: 021 442 334
Fax: 021 488 656
www.oxfordhouse.com.mt

MV Raajjeyge Jumhooriyyaa, Maldives

Lintel Investments
Ma. Maadheli, Majeedhee Magu
Malé
Tel.: 0331 0742
mailto:mohamed.zuhree@
lintel.com.mv

NL Nederlande, Netherlands

BSH Huishoudapparaten B.V.
Taurusavenue 36
2132 LS Hoofddorp
Storingsmelding:
Tel.: 088 424 4010
Fax: 088 424 4845
mailto:bosch-contactcenter@bshg.com

Onderdelenverkoop:
Tel.: 088 424 4010
Fax: 088 424 4801
mailto:bosch-onderdelen@bshg.com
www.bosch-home.nl

NO Norge, Norway

BSH Husholdningsapparater A/S
Grensesvingen 9
0661 Oslo
Tel.: 22 66 06 00
Fax: 22 66 05 50
mailto:Bosch-Service-NO@bshg.com
www.bosch-home.no

NZ New Zealand

BSH Home Appliances Ltd.
Unit F 2, 4 Orbit Drive
Mairangi Bay
Auckland 0632
Tel.: 0800 245 700*
Fax: 0800 256 535
mailto:aftersales.nz@bshg.com
www.bosch-home.co.nz
* Mo-Fr: 8.30am to 4.00pm
(exclude public holidays)

PL Polska, Poland

BSH Sprzęt Gospodarstwa
Domowego sp. z o.o.
Al. Jerolimskie 183
02-222 Warszawa
Centrala Serwisu
Tel.: 801 191 534
Fax: 022 572 7709
mailto:Serwis.Fabryczny@bshg.com
www.bosch-home.pl

PT Portugal

BSHP Electrodomesticos,
Sociedade Unipessoal, Lda.
Rua Alto do Montijo, nº 15
2790-012 Carnaxide
Tel.: 214 250 730
Fax: 214 250 701
mailto:bosch.electrodomesticos.pt@bshg.com
www.bosch-home.pt

RO România, Romania

BSH Electrocasnice srl.
Sos. Bucuresti-Ploiesti,
nr. 19-21, sect. 1
13682 Bucuresti
Tel.: 021 203 9748
Fax: 021 203 9733
mailto:service.romania@bshg.com
www.bosch-home.ro

RU Russia, Россия

ООО "БСХ Бытовая техника"
Сервис от производителя
Малая Калужская 19/1
119071 Москва
тел.: 495 737 2961
mailto:mok-kdhl@bshg.com
www.bosch-home.com

SA Kingdom Saudi Arabia,

المملكة العربية السعودية
Abdul Latif Jameel Electronics
and Airconditioning Co. Ltd.
BOSCH Service centre,
Kilo 5 Old Makkah Road
(Next to Toyota), Jamiah Dist.
P.O.Box 7997
Jeddah 21472
Tel.: 800 244 0043
mailto:kunnumalsp@alj.com
www.aljelectronics.com.sa

SE Sverige, Sweden

BSH Home Appliances AB
Landsvägen 32
169 29 Solna
Tel.: 0771 11 22 77 local rate
mailto:Bosch-Service-SE@bshg.com
www.bosch-home.se

SG Singapore, 新加坡

BSH Home Appliances Pte. Ltd.
Block 4012, Ang Mo Kio Avenue 10
#01-01 Techplace 1
Singapore 569628
Tel.: 6751 5000*
Fax: 6751 5005
mailto:bshsgp.service@bshg.com
www.bosch-home.com.sg
* Mo-Fr: 8.30am to 7.00pm, Sa: 8.30am to 5.30pm
(exclude public holidays)

SI Slovenija, Slovenia

BSH Hišni aparati d.o.o.
Litostrojska 48
1000 Ljubljana
Tel.: 01 583 07 00
Fax: 01 583 08 89
mailto:informacije.servis@bshg.com
www.bosch-home.com/si

SK Slovensko, Slovakia

BSH domácí spotřebiče s.r.o.
Organizačná zložka Bratislava
Galvaniho 17/C
821 04 Bratislava
Tel.: 02 44 45 20 41
mailto:opravy@bshg.com
www.bosch-home.com/sk

TR Türkiye, Turkey

BSH Ev Aletleri Sanayi
ve Ticaret A.Ş.
Fatih Sultan Mehmet Mahallesi
Balkan Caddesi No: 51
34771 Ümraniye, İstanbul
Tel.: 0 216 444 6333*
Fax: 0 216 528 9188*
mailto:careline.turkey@bshg.com
www.bosch-home.com/tr
* Çağrı merkezini sabit hatlardan
aramanın bedeli şehir içi ücretlendirmede,
Çep telefonlarından ise kullanılan
tarifeye göre değişiklik göstermektedir

TW Taiwan, 台灣

我們期望您不斷的鼓勵與指導，
任何諮詢或服務需求，
歡迎洽詢客服專線
BSH Home Appliances Private Limited
台北市內湖區洲子街80號11樓
11F., No.80, Zhouzi St., Neihu Dist.
Taipei City 11493
Tel.: 0800 368 888
Fax: 02 2627 9788
mailto:bshstzn-service@bshg.com
www.bosch-home.com.tw

UA Ukraine, Україна

ТОВ "БСХ Побутова Техніка"
тел.: 044 490 2095
mailto:bsh-service.ua@bshg.com
www.bosch-home.com.ua

XK Kosovo

Service-General SH.P.K.
Rruga Mag Prishtine-Ferizaj
70000 Ferizaj
Tel.: 0290 321 434
Tel.: 0290 330 723
mailto:a_service@
gama-electronics.com

XS Srbija, Serbia

BSH Kućni aparati d.o.o.
Milutina Milankovića br. 9ž
11070 Novi Beograd
Tel.: 011 353 70 08
Fax: 011 205 23 89
mailto:informacije.servis-sr@
bshg.com
www.bosch-home.rs

ZA South Africa

BSH Home Appliances (Pty) Ltd.
15th Road Randjespark
Private Bag X36, Randjespark
1685 Midrand – Johannesburg
Tel.: 086 002 6724
Fax: 086 617 1780
mailto:applianceserviceza@bshg.com
www.bosch-home.com/za

 Beratung und Reparaturauftrag bei Störungen

DE 0911 70 440 040

AT 0810 550 511

CH 0848 840 040

Die Kontaktdaten aller Länder finden Sie im beiliegenden Kundendienst-Verzeichnis.

Robert Bosch Hausgeräte GmbH

Carl-Wery-Straße 34

81739 München, GERMANY

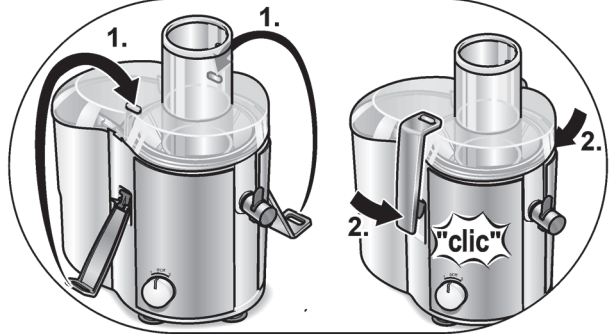
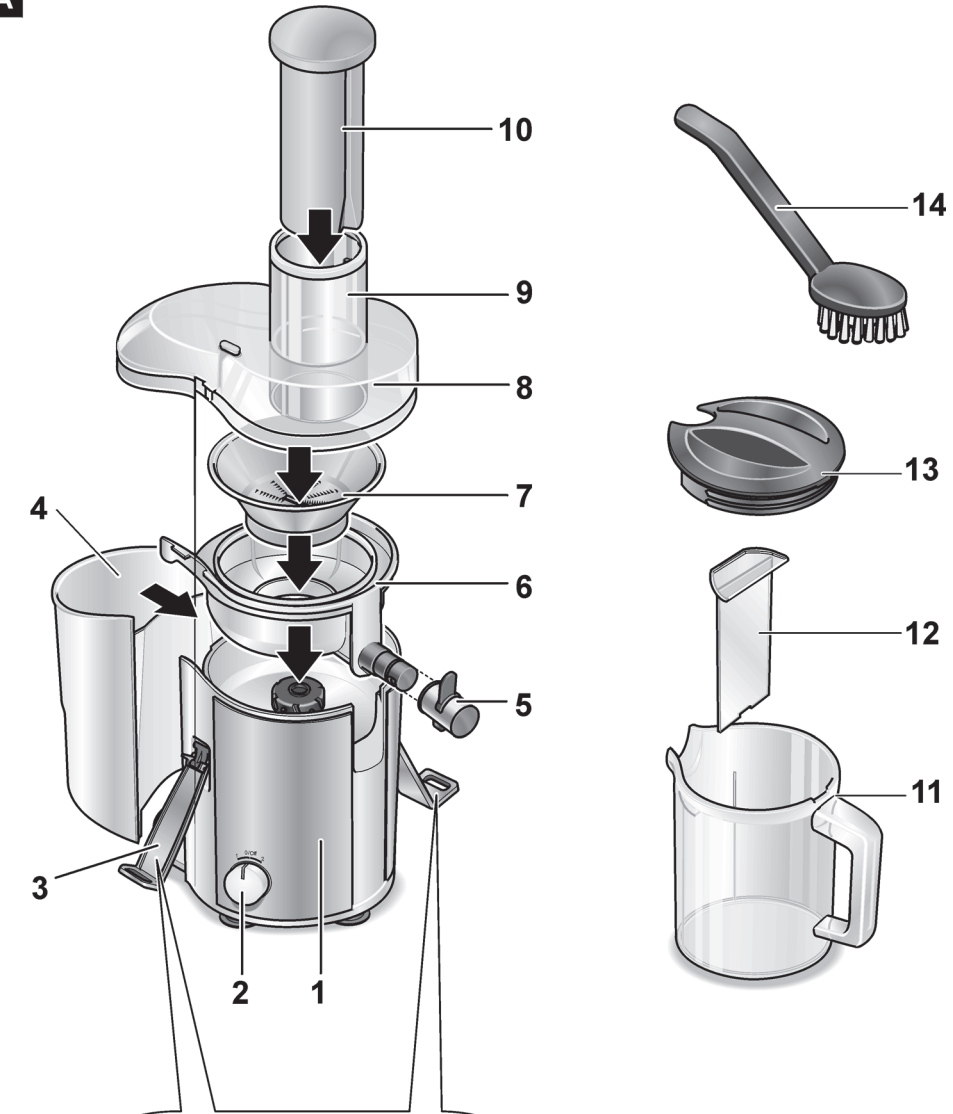
www.bosch-home.com



8001069453

970508

A



B