

Register your new Bosch now:
www.bosch-home.com/welcome



BGS5...
Relaxx'x



en Instruction manual

Table of content

Safety information	5
Intended use	5
Spare parts, accessories, dust bags	5
Safety information	6
Proper use	6
Notes on the energy label	9
Your vacuum cleaner	10
Replacement parts and special accessories	12
Initial use	13
Connecting the handle and the flexible hose	13
Connecting the flexible hose	13
Putting the handle and the telescopic tube together	14
Inserting the telescopic tube into the floor tool	14
Adjusting the telescopic tube	14
Placing the accessories holder	15
Connecting the appliance	15
Switch on /off	16
Controlling the suction level	16
Vacuuming	17
Set the adjustable floor tool	17
Vacuuming with accessories	18
Parking aid	19
Vacuuming stairs	19

Table of content

When your work is finished	19
Disconnecting the appliance	19
Sliding the telescopic tube	20
Storing and transporting	20
Emptying the dust container	21
Dust bag change indicator	21
Removing the dust container	22
Taking out the filter unit	23
Inserting the filter unit and the dust container	24
Filter care	25
Cleaning the plate filter	25
„SelfClean“-function	25
Activating the „SelfClean“-function	26
Tapping out the plate filter	27
Cleaning the fluff filter	28
Replacing the HEPA-filter	29
Cleaning instructions	31
Disposal	32
Customer service	33
Conditions of guarantee	34

Safety information

Please keep this instruction manual. When passing the vacuum cleaner on to a third party, please also pass on this instruction manual.

Intended use

This appliance is intended for domestic use only. This appliance is intended for use up to a maximum height of 2000 metres above sea level. Only use this vacuum cleaner in accordance with the instructions in this instruction manual.

In order to prevent injuries and damage, the vacuum cleaner must not be used for:

- Vacuum-cleaning persons or animals
- Vacuuming up:
 - hazardous, sharp-edged, hot or glowing substances.
 - damp or liquid substances.
 - highly flammable or explosive substances and gases.
 - ash, soot from tiled stoves and central heating systems.
 - toner dust from printers and copiers.

Spare parts, accessories, dust bags

Our original spare parts, original (special) accessories and original dust bags are designed to work with the features and requirements of our vacuum cleaners. We therefore recommend that you only use our original spare parts, original (special) accessories and original dust bags. This will ensure that your vacuum cleaner has a long service life and that the quality of its cleaning performance will remain consistently high throughout.

Safety information

!Please note

Using unsuitable or inferior-quality spare parts, (special) accessories and dust bags can damage your vacuum cleaner. Damage caused by the use of such products is not covered by our guarantee.

Safety information

This vacuum cleaner complies with the recognised rules of technology and the relevant safety regulations.

- The appliance may be used by children over the age of 8 years and by persons with reduced physical, sensory or mental capacity or by persons with a lack of experience or knowledge if they are supervised or have been instructed on the safe use of the appliance and they have understood the potential dangers of using the appliance.
- Children must never play with the appliance.
- Cleaning and user maintenance must never be carried out by children without supervision.
- Plastic bags and films must be kept out of the reach of children before disposal.
=> Risk of suffocation.

Proper use

- Only connect and use the vacuum cleaner in accordance with the specifications on the rating plate.
- Never vacuum without the dust bag or dust container, motor protection or exhaust filter.
=> This may damage the vacuum cleaner.
- Do not vacuum close to the head when using a nozzle and tube. => This could cause injury!
- When vacuuming stairs, the appliance must always be positioned below the user.

Safety information

- Do not use the power cord or the hose to carry or transport the vacuum cleaner.
- For safety reasons, if this appliance's mains power cable becomes damaged, it must be replaced by the manufacturer, their after-sales service department or a similarly qualified person.
- Fully extend the power cord when using the vacuum cleaner continuously for several hours.
- When disconnecting the appliance from the mains, pull on the plug itself to remove it; do not pull on the power cord.
- Do not pull the power cord over sharp edges or allow it to become trapped.
- When the cable is being automatically rewound, ensure that the mains plug is not thrown towards persons, body parts, animals or objects.
=> Use the mains plug to guide the power cord.
- Pull out the mains plug before carrying out any work on the vacuum cleaner.
- Do not operate the vacuum cleaner if it is damaged. Unplug the appliance from the mains if a fault is detected.
- For safety reasons, only authorised after-sales service personnel are permitted to carry out repairs and fit replacement parts to the vacuum cleaner.
- Protect the vacuum cleaner from the weather, moisture and sources of heat.
- Do not pour flammable substances or substances containing alcohol onto the filters (dust bag, motor protection filter, exhaust filter, etc.).
- The vacuum cleaner is not suitable for use on construction sites.
=> Vacuuming up building rubble could damage the appliance.
- Switch off the appliance when it is not in use.
- At the end of its life, the appliance should immediately be rendered unusable, then disposed of in an appropriate manner.

Safety information

! Please note

The mains socket must be protected by at least a 16 amp circuit breaker.

If a circuit breaker is tripped when you switch on the vacuum cleaner, this may be because other electrical appliances which have a high current draw are connected to the same power circuit.

To prevent the circuit breaker from tripping, select the lowest power setting before switching the appliance on, and increase the power only once it is running.

Notes on the energy label

This vacuum cleaner is a general purpose vacuum cleaner with a primary hose.

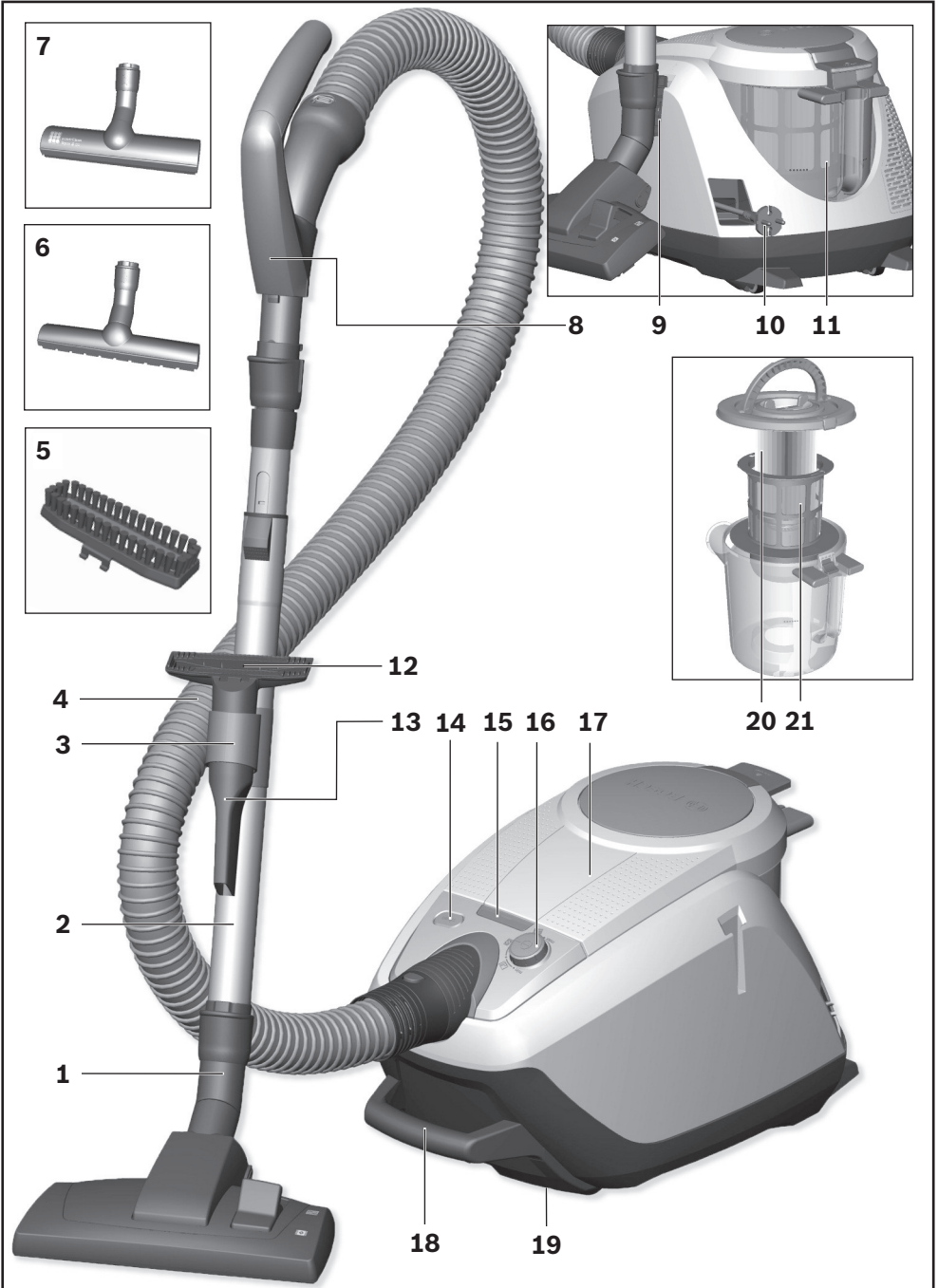
To achieve the declared energy efficiency and cleaning performance class on carpet and hard floor, please use the interchangeable universal nozzle.

Please use the enclosed "powerClean Stone & Co" hard-floor tool to achieve the specified energy-efficiency level and cleaning class on hard floors with joints and gaps.

These calculations are based on the Commission Delegated Regulation (EU) No. 665/2013 of 3rd May 2013 supplementing Directive 2010/30/EU. Unless otherwise stated, all the procedures referred to in these instructions were carried out in accordance with the EN 60312-1:2017* standard.

*As the motor service test is carried out with the dust collector empty, the stated motor service life must be increased by 10% for tests with the dust collector half filled.

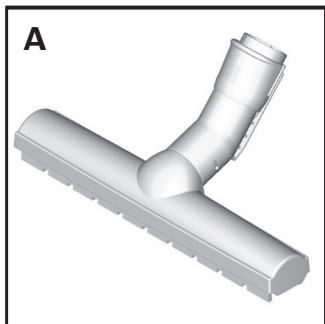
Your vacuum cleaner



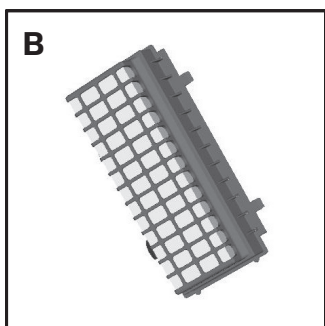
Your vacuum cleaner

- ① Adjustable floor tool with accessory connection
- ② Telescopic tube with sliding switch and accessory connection
- ③ Accessories holder
- ④ Flexible hose
- ⑤ Brush ring (to fit on the upholstery nozzle)
- ⑥ Floor tool for delicate hard floors, e.g. parquet
- ⑦ "powerClean Stone & Co" floor tool for hard floors with joints and gaps, e.g. tiles and floorboards
- ⑧ Handle
- ⑨ Parking aid on the side of the appliance
- ⑩ Power cord
- ⑪ Dust container
- ⑫ Upholstery nozzle
- ⑬ Crevice nozzle
- ⑭ "Clean" filter cleaning button
- ⑮ "Sensor Control" indicator
- ⑯ On/Off button with electronic suction regulator
- ⑰ Appliance lid
- ⑱ Carrying handle
- ⑲ Storage aid on the underside of the appliance
- ⑳ Plate filter
- ㉑ Fluff filter

Replacement parts and special accessories

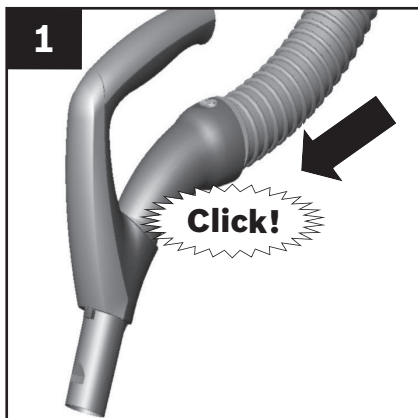


A Hard-floor tool BBZ123HD
For vacuuming hard floors
(parquet, tiles, terracotta, etc.)



B HEPA-filter
Replacement part no.: 573928
Protects the motor in your vacuum cleaner
and thus increases its service life. Replace
once a year.

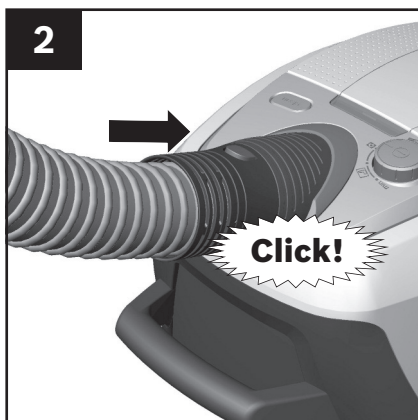
Initial use



Connecting the handle and the flexible hose

Figure 1

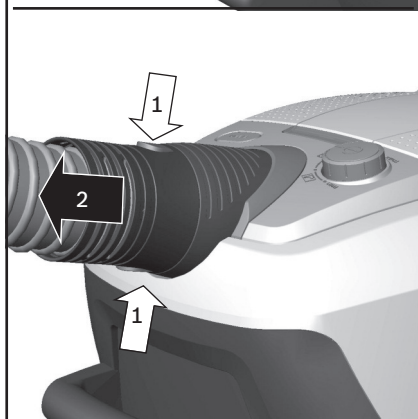
- Push the handle onto the flexible hose and lock it in place.



Connecting the flexible hose

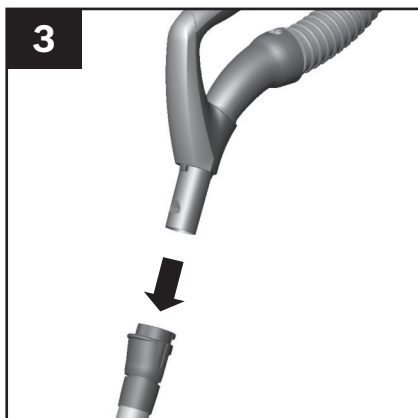
Figure 2

- Push the flexible tube adapter into the air intake opening on the appliance and lock it in place. You will hear an audible 'click'.



- To remove the flexible hose, press the two catches together and pull out the hose.

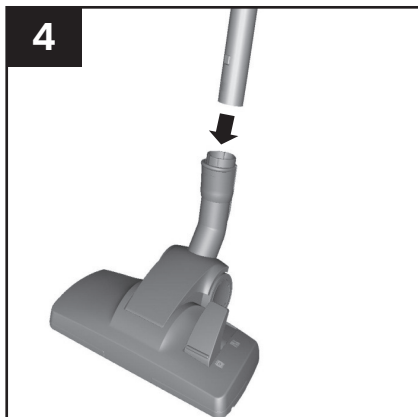
Initial use



Putting the handle and the telescopic tube together

Figure 3

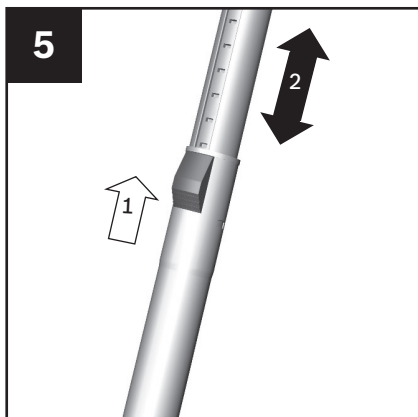
- Push the handle into the telescopic tube until it locks into place.



Inserting the telescopic tube into the floor tool

Figure 4

- Push the telescopic tube into the connecting piece of the floor tool until it locks in place. To release the connection, press on the locking collar and pull out the telescopic tube.



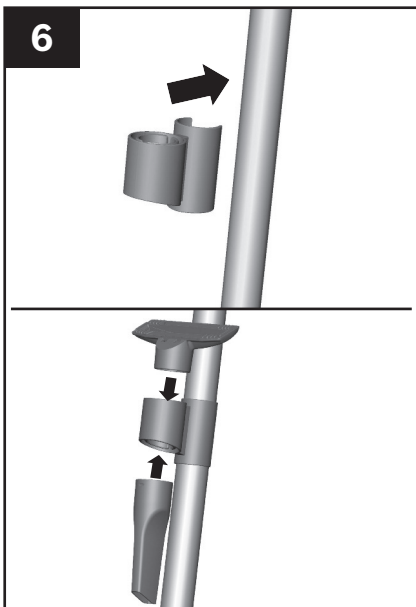
Adjusting the telescopic tube

Figure 5

- Unlock the telescopic tube by moving the sliding switch in the direction of the arrow and adjust to the desired length. The slide resistance on carpet is at its lowest when the telescopic tube has been completely pulled out.

Initial use

6

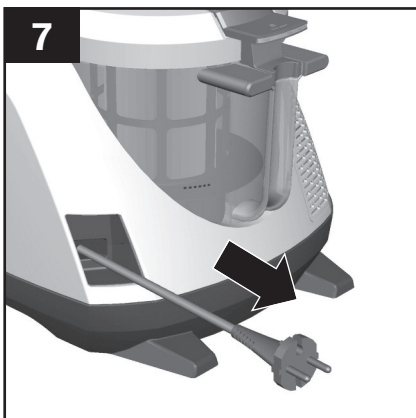


Placing the accessories holder

Figure 6

- Place the accessories holder in the required position on the telescopic tube.
- Use some pressure to insert the upholstery nozzle and the crevice nozzle into the accessories holder from above or below.

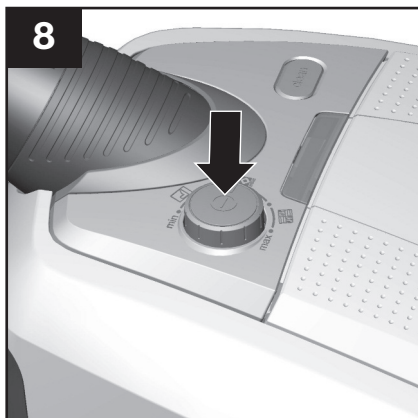
7



Connecting the appliance

Figure 7

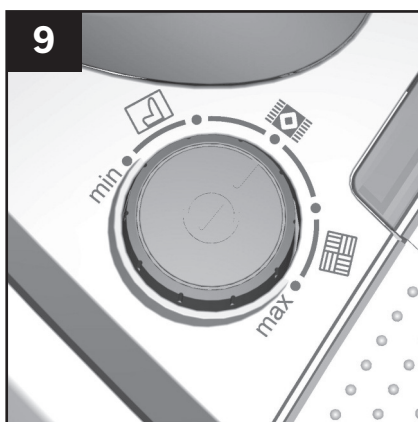
- Holding the power cord by the plug, pull out to the required length and insert the plug into the mains socket.



Switch on /off

Figure 8




- To switch the vacuum cleaner on or off, press the ON/OFF button.



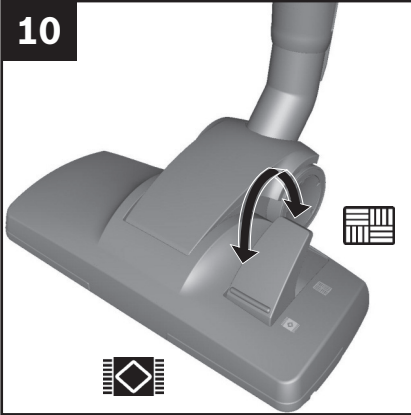
Controlling the suction level

Figure 9

The required suction level can be set to any level by turning the control knob.



- Low power range => 
For vacuuming delicate materials, such as delicate upholstery, curtains, etc.
- Medium power range => 
For daily vacuuming of floors which are only slightly dirty.
- High power range => 
For vacuuming durable floor coverings, hard floors and heavy deposits of dirt.

10



Set the adjustable floor tool

Figure 10

- Rugs and carpets => 
- Hard floors/parquet => 

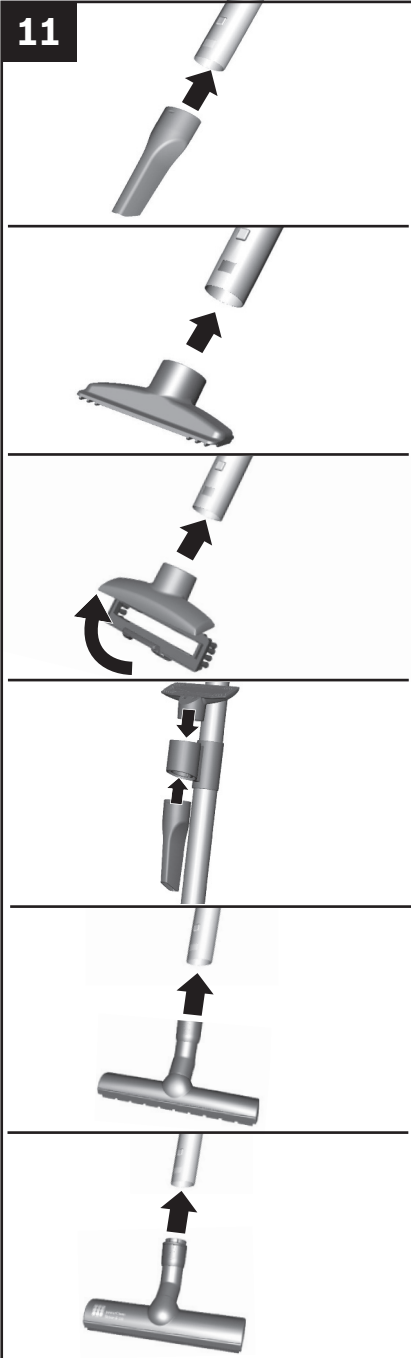
If you are vacuuming up larger particles, make sure that you vacuum them up successively and carefully to ensure that the vacuum channels of the floor tool do not become blocked.

If necessary, you should raise the nozzle in order to better vacuum up the dirt particles.

!Caution

Floor tools are subject to a certain amount of wear, depending on the type of hard floors you have (e.g. rough, rustic tiles). Therefore, you must check the underside of the floor tool at regular intervals. Worn undersides of floor tools may have sharp edges that can damage sensitive hard floors, such as parquet or linoleum. The manufacturer does not accept any responsibility for damage caused by worn floor tools.

11



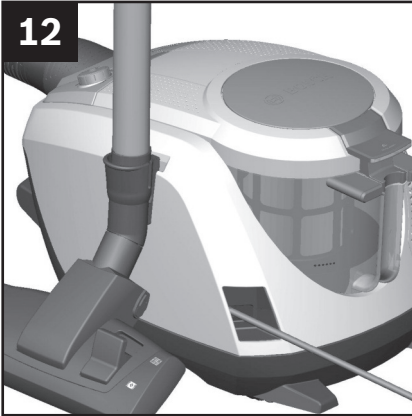
Vacuuming with accessories

Attach the nozzles to the suction pipe or hand grip as required:

Figure 11

- Crevice nozzle for vacuuming crevices and corners, etc.
- Upholstery nozzle for vacuuming upholstered furniture, curtains, etc.
- Upholstery nozzle with fixed brush ring for vacuuming window frames, cupboards, profiles, etc.
- After use, reinsert the crevice nozzle and upholstery nozzle into the accessories holder.
- Floor tool for delicate hard floors, e.g. parquet
- "powerClean Stone & Co" floor tool for hard floors with joints and gaps, e.g. tiles and floorboards

Vacuuming



Parking aid

Figure 12

You can use the parking aid on the side of the vacuum cleaner if you wish to stop vacuuming for a short time.

- After switching off the appliance, slide the hook on the floor tool into the parking aid.

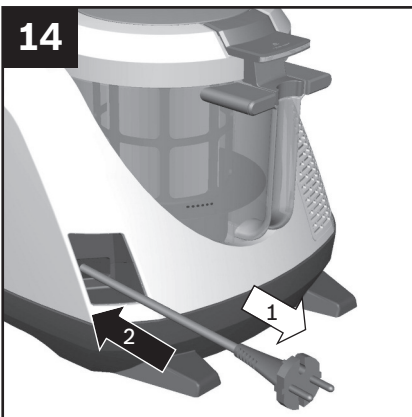


Vacuuming stairs

Figure 13

When vacuuming stairs, the appliance must be positioned at the bottom of the stairs. If it does not reach far enough, the appliance can also be carried using the carrying handle.

When your work is finished



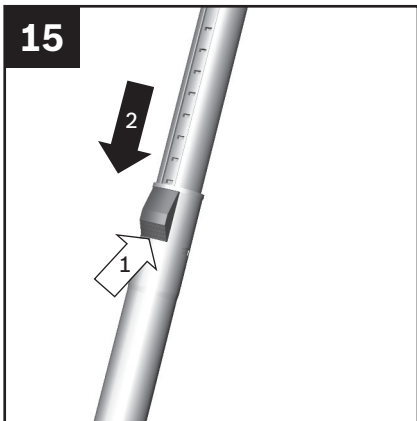
Disconnecting the appliance

Figure 14

- Switch off the appliance.
- Pull out the mains plug.
- Briefly pull the power cord and release. (The power cord retracts automatically).

When your work is finished

15

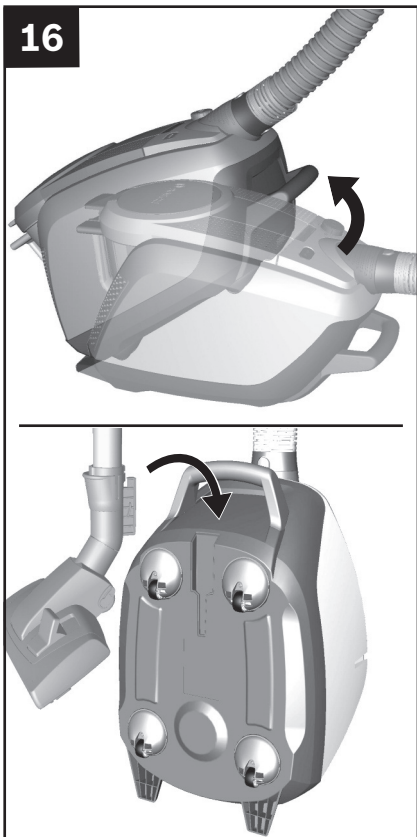


Sliding the telescopic tube

Figure 15

- Unlock the telescopic tube by moving the sliding switch in the direction of the arrow and slide one tube into the other.

16



Storing and transporting

Figure 16

To store the appliance, use the storage aid on the underside.

- Stand the appliance up by the handle.
- Slide the hook on the floor tool into the storage aid.

When your work is finished

17



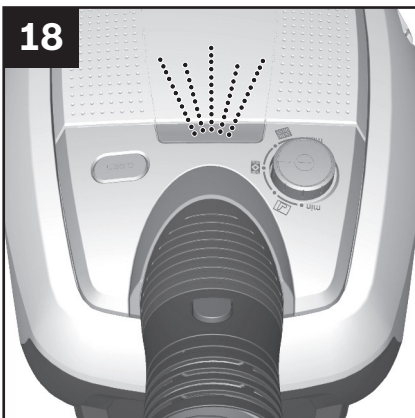
Emptying the dust container

Figure 17

In order to achieve good vacuuming results, the dust container should be emptied after every use or, at the latest, when dust or dirt has visibly collected on the fluff filter or when dust at one point in the container has reached the height of the marking.

When emptying the dust container, always check how dirty the fluff filter is and, if necessary, clean it as detailed in the "Cleaning the fluff filter" instructions. **Figure 26**

18



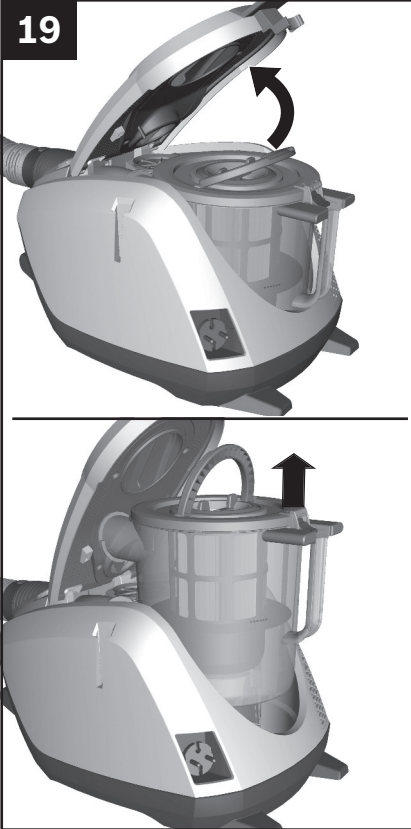
Dust bag change indicator

Figure 18

The dust container must be emptied at the latest by the time the dust bag change indicator lights up permanently in red and the appliance automatically switches itself to the lowest power setting.

When your work is finished

19



Removing the dust container

Figure 19

- Open the appliance lid by pulling the locking tab.
- Use the handle to remove the dust container from the appliance.

When your work is finished

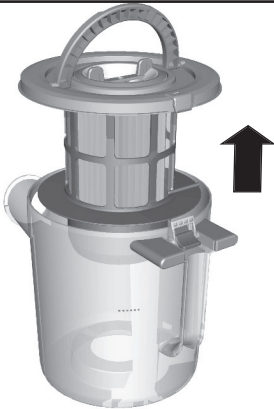
20



Taking out the filter unit

Figure 20

- Release the filter unit of the dust container by pressing the release button.



- Take the filter unit out of the dust container and empty the dust container.

When your work is finished

21



Inserting the filter unit and the dust container

Figure 21

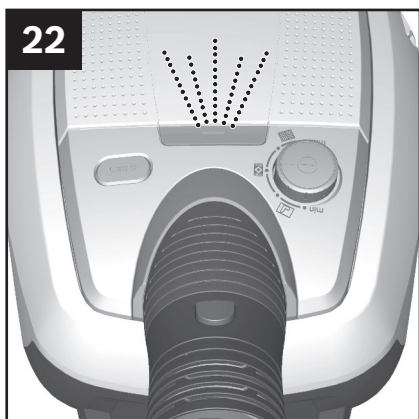
- Insert the filter unit into the dust container, making sure it is correctly seated. The arrow on the filter cover must point in the direction of the locking tab.
- Press on the container lid until you hear it click into place.
- When reinserting the dust container into the appliance, make sure it is correctly seated. Close the appliance lid until the locking tab clicks into place again.

!Caution

If you notice any resistance when closing the lid, check that the filter is complete and that the filter and dust container are correctly seated.

Cleaning the plate filter

This function constantly monitors whether your vacuum cleaner is reaching its optimum power level. The indicator light lets you know when you need to clean the plate filter, so that the vacuum cleaner can reach its optimum power level once more.



„SelfClean“-function

Figure 22

The indicator lights up blue when the appliance is working at its optimum level. Once the indicator turns red and flashes, the appliance switches off automatically. Filter cleaning is activated and performed by the integrated cleaning motor.

If the appliance cleans three times in quick succession, this is probably due to a dirty fluff filter or a blockage. In this case, the appliance automatically adjusts to the lowest power setting and the indicator lights up red.

- Switch the appliance off, empty the dust container and clean the fluff filter according to the instructions in "Cleaning the fluff filter". **Figure 25**



Activating the “SelfClean”-function

Figure 23

If required, you can also activate the cleaning procedure manually by pressing the "Clean" filter cleaning button when the appliance is switched on.

If suction power is reducing, you can also clean the filter even if the indicator has not lit up. We recommend that you clean the plate filter each time before emptying the dust container.

24



Tapping out the plate filter

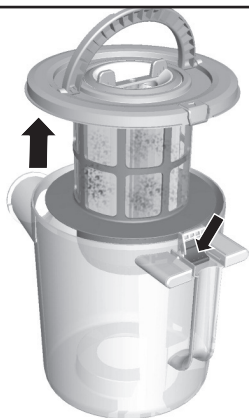
Figure 24

If the plate filter is particularly dirty, the dirt can also be tapped out.

- Tap out the filter over a dust bin.
The dirt will fall down out of the filter.



25



Cleaning the fluff filter

The fluff filter should be cleaned at regular intervals in order to ensure optimum operation of the vacuum cleaner.

Figure 25

- Open the appliance lid and remove the dust container from the appliance. **Figure 19**
- Take the filter unit out of the dust container.
- It is usually sufficient to lightly shake or tap out the whole filter unit when the dust container is emptied in order to dislodge any particles of dirt.
- If this is not sufficient, you can use a dry cloth to remove dirt particles from the fluff filter.

26



Replacing the HEPA-filter

You can order a new filter from our after-sales service using the following replacement part number: 573928

Figure 26

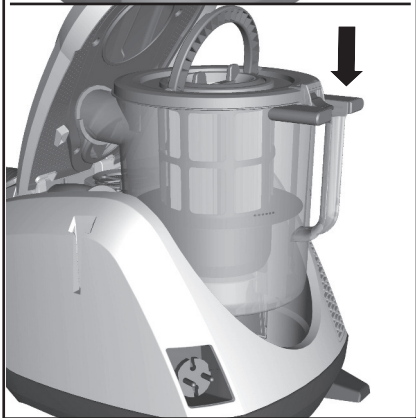
- Open the appliance lid and remove the dust container.

Figure 19

- Use the locking tab to open the side flap.
- Pull the two locking tabs to unlock the filter unit with HEPA filter and remove it from the appliance.

Filter care

26



- Reinsert the filter unit into the appliance and ensure that it audibly clicks into place.

- Close the side flap until you hear the locking tab click into place again.

- Insert the dust container into the appliance and close the appliance lid.

Cleaning instructions

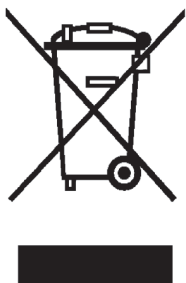
Always switch off the vacuum cleaner and disconnect the power cord from the mains before cleaning the vacuum cleaner. The vacuum cleaner and plastic accessories can be cleaned with an ordinary plastic cleaner.



Caution: Do not use a scourer, glass-cleaning agent or multipurpose cleaning product. Never immerse the vacuum cleaner in water.

Subject to technical modifications.

Disposal



"This appliance is labelled in accordance with European Directive 2012/19/EU concerning used electrical and electronic appliances (waste electrical and electronic equipment - WEEE). The guideline determines the framework for the return and recycling of used appliances as applicable throughout the EU."

Disposal information

■ Packaging

The packaging is designed to protect the vacuum cleaner from being damaged during transportation. It is made of environmentally friendly materials and can therefore be recycled.

Dispose of packaging that is no longer required at an appropriate recycling point.

■ Old appliances

Old appliances still contain many valuable materials. Therefore, please take appliances that have reached the end of their service to your retailer or recycling centre so that they can be recycled.

For current disposal methods, please enquire at a retailer or your local council.

■ Disposal of filters and dust bags

Filters and dust bags are manufactured from environmentally friendly materials. Provided they do not contain substances that are not permitted in household waste, you can dispose of them with your normal household waste.

Customer service

GB Great Britain
BSH Home Appliances Ltd.
Grand Union House
Old Wolverton Road
Wolverton
Milton Keynes MK12 5PT

To arrange an engineer visit, to order spare parts and accessories or for product advice please visit:

www.bosch-home.co.uk


or call

Tel.: 0344 892 8979*

*Calls from a BT landline will be charged at up to 3 pence per minute. A call set-up fee of up to 6 pence may apply.

Conditions of guarantee

For this appliance the guarantee conditions as set out by our representatives in the country of sale apply. Details regarding same may be obtained from the dealer from whom the appliance was purchased. For claims under guarantee the sales receipt must be produced.

 Beratung und Reparaturauftrag bei Störungen

DE 0911 70 440 040

AT 0810 550 511

CH 0848 840 040

Die Kontaktdaten aller Länder finden Sie im beiliegenden Kundendienst-Verzeichnis.

Robert Bosch Hausgeräte GmbH

Carl-Wery-Straße 34

81739 München, GERMANY

www.bosch-home.com



8001065343

970308