



Register your new device on MyBosch now and get free benefits:
bosch-home.com/welcome

Fridge-freezer

KDN..

en	Instructions for use	Fridge-freezer	3
fr	Notice d'utilisation	Combiné réfrigérateur-congérateur	23

en Table of contents

Safety and warning information	3	Freezing and storing food	13
Information concerning disposal	6	Freezing fresh food	14
Scope of delivery	6	Super freezing	15
Ambient temperature and ventilation	7	Thawing frozen food	15
Connecting the appliance	7	Interior fittings	15
Getting to know your appliance	8	Sticker "OK"	16
Switching the appliance on	9	Switching off and disconnecting the appliance	16
Setting the temperature	10	Defrosting	17
Energy saving mode	10	Cleaning the appliance	17
Alarm function	10	Light (LED)	18
Usable capacity	11	Tips for saving energy	18
Refrigerator compartment	11	Operating noises	19
Super cooling	13	Eliminating minor faults yourself	20
Freezer compartment	13	Customer service	22
Max. freezing capacity	13		

fr Table des matières

Prescriptions-d'hygiène-alimentaire ..	23	Capacité de congélation maximale	36
Consignes de sécurité et avertissements	23	Congélation et rangement	37
Conseil pour la mise au rebut	27	Congélation de produits frais	37
Étendue des fournitures	28	Supercongélation	38
Contrôler la température ambiante et l'aération	29	Décongélation des produits	39
Branchement de l'appareil	29	Équipement	39
Présentation de l'appareil	30	Autocollant « OK »	40
Enclenchement de l'appareil	32	Arrêt et remisage de l'appareil	41
Réglage de la température	32	Si vous dégivrez l'appareil	41
Mode Économie d'énergie	33	Nettoyage de l'appareil	42
Fonction alarme	33	Éclairage (LED)	43
Contenance utile	34	Economies d'énergie	43
Le compartiment réfrigérateur	34	Bruits de fonctionnement	44
Super-réfrigération	36	Remédier soi même aux petites pannes	45
Le compartiment congélateur	36	Service après-vente	47

Safety and warning information

Before you switch ON the appliance

Please read the operating and installation instructions carefully! They contain important information on how to install, use and maintain the appliance. The manufacturer is not liable if you fail to comply with the instructions and warnings. Retain all documents for subsequent use or for the next owner.

Technical safety



Fire hazard

The tubes of the refrigeration circuit convey a small quantity of an environmentally friendly but flammable refrigerant (R600a). It does not damage the ozone layer and does not increase the greenhouse effect. If refrigerant escapes, it may injure your eyes or ignite.

If damage has occurred

- Keep naked flames and/or ignition sources away from the appliance,
- thoroughly ventilate the room for several minutes,

- switch off the appliance and pull out the mains plug,
- inform customer service.

The more refrigerant an appliance contains, the larger the room must be in which the appliance is situated. Leaking refrigerant can form a flammable gas-air mixture in rooms which are too small. The room must be at least 1 m³ per 8 g of refrigerant. The amount of refrigerant in your appliance is indicated on the rating plate inside the appliance.

When installing the appliance, ensure that the mains cable is not trapped or damaged.

If the power cord of this appliance is damaged, it must be replaced by the manufacturer, Customer Service or a similarly qualified person. Improper installations and repairs may put the user at considerable risk.

Repairs may be performed by the manufacturer, customer service or a similarly qualified person only.

Only original parts supplied by the manufacturer may be used. The manufacturer guarantees that only these parts satisfy the safety requirements.

Do not use multiple sockets, extension leads or adapters.



Fire hazard

Portable multiple outlets or power supplies may overheat, causing a fire.

Never leave portable multiple outlets or portable power supplies behind the appliance.

Important information when using the appliance

- Never use electrical appliances inside the appliance (e.g. heaters, electric ice makers, etc.). Risk of explosion!
- Never defrost or clean the appliance with a steam cleaner! The steam may penetrate electrical parts and cause a short-circuit. Risk of electric shock!
- Do not use additional means to accelerate the defrosting process other than those recommended by the manufacturer. Risk of explosion!
- Do not use pointed or sharp-edged implements to remove frost or layers of ice. You might damage the refrigerant tubes. Leaking refrigerant may cause eye injuries or ignite.
- Do not store products which contain flammable propellant (e.g. spray cans) or explosive substances in the appliance. Risk of explosion!
- Do not stand on or lean heavily against the base of the appliance, drawers, doors, etc.
- For defrosting and cleaning, pull out the mains plug or switch off the fuse. Do not pull out the mains plug by tugging on the power cord.
- Store high-percentage alcohol tightly sealed and in an upright position.
- Keep plastic parts and the door seal free of oil and grease. Otherwise, plastic parts and the door seal will become porous.
- Never cover or block the ventilation openings of the appliance.
- Do not store bottled or canned liquids (especially carbonated drinks) in the freezer compartment. Bottles and cans may burst!
- Avoid prolonged touching of frozen food, ice or the evaporator pipes, etc. Risk of low-temperature burns!
- Never put frozen food straight from the freezer compartment in your mouth. Risk of low-temperature burns!

■ **Avoiding placing children and vulnerable people at risk:**

At risk here are children, people who have limited physical, mental or sensory abilities, as well as people who have inadequate knowledge concerning safe operation of the appliance.

Check that children and vulnerable people have understood the hazards.

A person responsible for safety must supervise or instruct children and vulnerable people who are using the appliance.

Only children aged 8 years and above may use the appliance.

Supervise children while the appliance is being cleaned or maintained.

Never allow children to play with the appliance.

Children in the household

- Keep children away from packaging and its parts. Danger of suffocation from folding cartons and plastic film!
- Do not allow children to play with the appliance!
- If the appliance features a lock: keep the key out of the reach of children!

General regulations

The appliance is suitable

- for refrigerating and freezing food,
- for making ice.

This appliance is intended for use in the home and the home environment.

The refrigeration circuit has been checked for leaks.

This appliance complies with the relevant safety regulations for electrical appliances and is fitted with noise suppression.

This appliance is intended for use up to a maximum height of 2000 metres above sea level.

Information concerning disposal

Disposal of packaging

The packaging protects your appliance from damage during transit. All utilised materials are environmentally safe and recyclable. Please help us by disposing of the packaging in an environmentally friendly manner.

Please ask your dealer or inquire at your local authority about current means of disposal.

Disposal of your old appliance

Old appliances are not worthless rubbish! Valuable raw materials can be reclaimed by recycling old appliances.



This appliance is labelled in accordance with European Directive 2012/19/EU concerning used electrical and electronic appliances (waste electrical and electronic equipment - WEEE). The guideline determines the framework for the return and recycling of used appliances as applicable throughout the EU.

Warning

Redundant appliances

1. Pull out the mains plug.
2. Cut off the power cord and discard with the mains plug.
3. Do not take out the trays and receptacles: children are therefore prevented from climbing in!
4. Do not allow children to play with the appliance once it has spent its useful life. Danger of suffocation!

Refrigerators contain refrigerant and gases in the insulation. Refrigerant and gases must be disposed of professionally. Ensure that tubing of the refrigerant circuit is not damaged prior to proper disposal.

Scope of delivery

After unpacking all parts, check for any damage in transit.

If you have any complaints, please contact the dealer from whom you purchased the appliance or our customer service.

The delivery consists of the following parts:

- Free-standing appliance
- Interior fittings (depending on model)
- Bag containing installation materials
- Operating instructions
- Installation manual
- Customer service booklet
- Warranty enclosure
- Information on the energy consumption and noises

Ambient temperature and ventilation

Ambient temperature

The appliance is designed for a specific climate class. Depending on the climate class, the appliance can be operated at the following temperatures.

The climate class can be found on the rating plate. Fig. 15

Climate class	Permitted ambient temperature
SN	+10 °C to 32 °C
N	+16 °C to 32 °C
ST	+16 °C to 38 °C
T	+16 °C to 43 °C

Note

The appliance is fully functional within the room temperature limits of the indicated climatic class. If an appliance of climatic class SN is operated at colder room temperatures, the appliance will not be damaged up to a temperature of +5 °C.

Ventilation

Fig. 3

The air on the rear panel and on the side panels of the appliance heats up. Conduction of the heated air must not be obstructed. Otherwise, the refrigerating unit must work harder. This increases power consumption. Therefore: Never cover or block the ventilation openings!

Connecting the appliance

After installing the appliance, wait at least 1 hour until the appliance is switched on. During transportation the oil in the compressor may have flowed into the refrigeration system.

Before switching on the appliance for the first time, clean the interior of the appliance (see chapter “Cleaning the appliance”).

Electrical connection

The socket must be near the appliance and also freely accessible following installation of the appliance.



Warning

Risk of electric shock!

If the length of the mains cable is inadequate, never use multiple sockets or extension leads. Instead, please contact Customer Service for alternatives.

The appliance complies with protection class I. Connect the appliance to 220–240 V/50 Hz alternating current via a correctly installed socket with protective conductor. The socket must be protected by a 10 A to 16 A fuse.

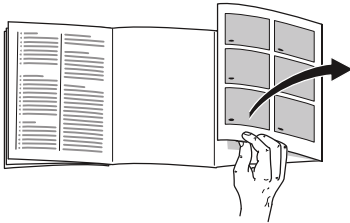
For appliances operated in non-European countries, check whether the indicated voltage and current type match the values of your electricity supply. This information can be found on the rating plate, Fig. 15.

Warning

Never connect the appliance to electronic energy saver plugs.

Our appliances can be used with mains and sine-controlled inverters. Mains-controlled inverters are used for photovoltaic systems which are connected directly to the national grid. Sine-controlled inverters must be used for isolated applications (e.g. on ships or in mountain lodges) which are not connected directly to the national grid.

Getting to know your appliance



Please fold out the illustrated last page. These operating instructions refer to several models.

The features of the models may vary.

The diagrams may differ.

Fig. 1

* Not all models.

- 1-10 Controls
- 11 Light switch for freezer compartment
- 12 On/Off button
- 13 Fast freezer compartment
- 14 Light (LED)
- 15 Light switch for refrigerator compartment
- 16 Extendable glass shelf
- 17 Air outlet opening
- 18 Shelf in the refrigerator compartment
- 19 Cold storage compartment
- 20 Vegetable container
- 21 Ventilation opening
- 22 Height-adjustable feet
- 23 Door shelf
- 24 Ice maker
- 25 Ice cube container
- 26 Butter and cheese compartment
- 27 Egg rack
- 28* Door container
- 29 Door shelf
- 30 Bottle holder
- 31 Shelf for large bottles

- A Freezer compartment
- B Refrigerator compartment

Controls

Fig. 2

- 1 **Temperature display freezer compartment**
The numbers correspond to the set freezer compartment temperatures in °C.
- 2 **Display super freezing**
Illuminates when super freezing is on.
- 3 **Temperature display refrigerator compartment**
The numbers correspond to the set refrigerator compartment temperatures in °C.
- 4 **“super” display**
Illuminates, if the super cooling is in operation.
- 5 **Alarm button**
Used to switch off the warning signal, see chapter “Alarm function”.
- 6 **Energy saving mode display**
It is lit when the appliance is not in use.
- 7 **Temperature selection buttons freezer compartment**
These buttons set the temperature in the freezer compartment.
- 8 **“Super” button (freezer compartment)**
Switches super freezing on and off.
- 9 **Temperature selection buttons refrigerator compartment**
These buttons set the temperature in the refrigerator compartment.
- 10 **“Super” button refrigerator compartment**
Switches super cooling on and off.

Switching the appliance on

Fig. 2

Switch on the appliance with the On/Off button **1**/12.

A warning signal sounds. The temperature display 1 flashes and the alarm display 5 is lit.

Press the “alarm” button 5. The warning signal switches off and the temperature display 1 stops flashing.

Display alarm goes out when the appliance has reached the set temperature.

The factory has recommended the following temperatures:

- Refrigerator compartment: +4 °C
- Freezer compartment: -18 °C

Operating tips

- When the appliance has been switched on, it may take several hours until the set temperatures have been reached.
- The fully automatic NoFrost system ensures that the freezer compartment remains free of ice. Defrosting is no longer required.
- The sides of the housing are sometimes heated slightly. This prevents condensation in the area of the door seal.
- If the freezer compartment door cannot be immediately re-opened after it has been closed, wait until the resulting low pressure has equalised.

Setting the temperature

Fig. 2

Refrigerator compartment

The temperature can be set from +2 °C to +8 °C.

Keep pressing temperature setting button 9 until the required refrigerator compartment temperature is set.

The value last selected is saved. The set temperature is indicated on temperature display 3.

We recommend a factory setting of +4 °C in the refrigerator compartment.

Perishable food should not be stored above +4 °C.

Freezer compartment

The temperature can be set from -16 °C to -24 °C.

Keep pressing temperature setting button 7 until the required freezer compartment temperature is set.

The value last selected is saved. The set temperature is indicated on temperature display 1.

Energy saving mode

When the appliance is not used, the display on the controls switches to energy saving mode.

- Energy saving mode display, Fig. 2/6, illuminates.
- The luminosity of the temperature displays is reduced.
- When the “Super” function is switched on, the corresponding super display is lit (Super cooling display, Fig. 2/4 or Super freezing display, Fig. 2/2).

As soon as you operate the appliance, e.g. open door or press any button, the display switches to normal illumination.

Alarm function

In the following cases an alarm may be actuated.

Door opening alarm

The door alarm (continuous sound) switches on and the Alarm 2/5 display is lit if the appliance is left open for too long. Close the appliance to switch off the door alarm.

Temperature alarm

The temperature alarm switches on if the freezer compartment is too warm and the frozen food is at risk of thawing.

The temperature display 1 flashes and the alarm button 5 is lit.

When the alarm button 5 is pressed, the temperature display 1 indicates for five seconds the warmest temperature reached in the freezer compartment.

Then this value is deleted and the temperature display 1 indicates the set temperature.

The alarm may switch on without any risk to the frozen food

- when the appliance is switched on,
- when large quantities of fresh food are placed in the appliance,
- if the freezer compartment door is open too long.

Note

Do not refreeze thawing or thawed food. Only ready meals (boiled or fried) may be refrozen.

No longer store the frozen produce for the max. storage period.

Switching off the alarm

Fig. 2

Press the alarm button 5 to switch off the warning signal.

Usable capacity

Information on the usable capacity can be found inside your appliance on the rating plate. Fig. 15

Fully utilising the freezer volume

The maximum amount of food can be placed in the freezer by removing the following fittings.

Removing the fittings

- The door shelf can be taken out. Fig. 4
- If appliances feature an ice maker, the latter can be taken out. Fig. 5

Refrigerator compartment

The refrigerator compartment is the ideal storage location for ready meals, cakes and pastries, preserved food, condensed milk, hard cheese, fruit and vegetables sensitive to cold.

Note when loading products

Wrap or cover food before placing in the appliance. This will retain the aroma, colour and freshness of the food. In addition, flavours will not be transferred between foods and the plastic parts will not become discoloured.

Note

Avoid contact between food and rear panel. Otherwise the air circulation will be impaired.

Food or packaging could freeze to the rear panel.

Note the chill zones in the refrigerator compartment

The air circulation in the refrigerator compartment creates different chill zones:

- **Coldest zone**

is on the rear panel inside the appliance and on the cold storage compartment. Fig. **1**/19

Note

Store perishable food e.g. fish, sausage, meat in the coldest zones.

- **Warmest zone**

is at the very top of the door.

Note

Store e.g. hard cheese and butter in the warmest zone. Cheese can then continue to release its flavour and the butter will still be easy to spread.

Vegetable container with humidity controller

Fig. **7**

The vegetable container is the optimum storage location for fresh fruit and vegetables. A humidity controller and a special seal can be used to adjust the air humidity in the vegetable container. This allows fresh fruit and vegetables to be stored twice as long as with conventional storage.

The air humidity in the vegetable container can be set according to the type and amount of products to be stored:

- Mainly fruit as well as for a large load – lower air humidity
- Mainly vegetables as well as for a mixed load or small load – higher air humidity

Notes

- Fruit sensitive to cold (e.g. pineapple, banana, papaya and citrus fruit) and vegetables sensitive to cold (e.g. aubergines, cucumbers, zucchini, peppers, tomatoes and potatoes) should be stored outside the refrigerator at temperatures of approx. +8 °C to +12 °C for optimum preservation of quality and flavour.
- Condensation may form in the vegetable container depending on the type and quantity of products stored. Remove condensation with a dry cloth and adjust air humidity in the vegetable container with the humidity controller.

Super cooling

Super cooling sets the refrigerator temperature to the coldest temperature setting for approx. 6 hours. Then the appliance automatically switches to the temperature set prior to super cooling mode.

Switch on super cooling mode, e.g.

- before placing large quantities of food in the refrigerator compartment.
- for the fast cooling of drinks.

Switching on and off

Fig. 2

Press “super” button 10.

The button is lit when super cooling is switched on.

Freezer compartment

Use the freezer compartment

- To store deep-frozen food.
- To make ice cubes.
- To freeze food.

Note

Ensure that the freezer compartment door has been closed properly. If the door is open, the frozen food will thaw. The freezer compartment will become covered in thick ice. Also: waste of energy due to high power consumption!

Max. freezing capacity

Information about the max. freezing capacity within 24 hours can be found on the rating plate. Fig. 15

Freezing and storing food

Purchasing frozen food

- Packaging must not be damaged.
- Use by the “use by” date.
- Temperature in the supermarket freezer must be -18 °C or lower.
- If possible, transport deep-frozen food in an insulated bag and place quickly in the freezer compartment.

Note when loading products

Freeze large quantities of food in the fast freezer compartment where food freezes particularly quickly and therefore also gently.

Food which is already frozen must not come into contact with the food which is to be frozen.

Freezing fresh food

Freeze fresh and undamaged food only.

To retain the best possible nutritional value, flavour and colour, vegetables should be blanched before freezing. Aubergines, peppers, zucchini and asparagus do not require blanching.

Literature on freezing and blanching can be found in bookshops.

Note

Keep food which is to be frozen away from food which is already frozen.

- The following foods are suitable for freezing:
Cakes and pastries, fish and seafood, meat, game, poultry, vegetables, fruit, herbs, eggs without shells, dairy products such as cheese, butter and quark, ready meals and leftovers such as soups, stews, cooked meat and fish, potato dishes, soufflés and desserts.
- The following foods are not suitable for freezing:
Types of vegetables, which are usually consumed raw, such as lettuce or radishes, eggs in shells, grapes, whole apples, pears and peaches, hard-boiled eggs, yoghurt, soured milk, sour cream, crème fraîche and mayonnaise.

Packing frozen food

To prevent food from losing its flavour or drying out, place in airtight containers.

1. Place food in packaging.
2. Remove air.
3. Seal the wrapping.
4. Label packaging with contents and date of freezing.

Suitable packaging:

Cling wrap, tubular film made of polyethylene, aluminium foil, freezer containers.

These products are available from specialist outlets.

Unsuitable packaging:

Wrapping paper, greaseproof paper, cellophane, bin liners and used shopping bags.

Items suitable for sealing packaged food:

Rubber bands, plastic clips, string, cold-resistant adhesive tape, etc.

Bags and tubular film made of polyethylene (PE) can be sealed with a film heat sealer.

Shelf life of frozen food

Storage duration depends on the type of food.

At a temperature of -18 °C:

- Fish, sausage, ready meals and cakes and pastries:
up to 6 months
- Cheese, poultry and meat:
up to 8 months
- Vegetables and fruit:
up to 12 months

Super freezing

Food should be frozen solid as quickly as possible in order to retain vitamins, nutritional value, appearance and flavour.

Several hours before placing fresh food in the freezer compartment, switch on super freezing to prevent an unwanted temperature rise.

As a rule, 4–6 hours is adequate.

This appliance runs constantly and the freezer compartment drops to a very low temperature.

If the max. freezing capacity is to be used, super freezing must be switched on for 24 hours before the fresh produce is placed in the freezer compartment.

Smaller quantities of food (up to 2 kg) can be frozen without “super freezing”.

Note

When super freezing is switched on, increased operating noises may occur.

Switching on and off

Fig. **2**

Press “super” button 8.

If the super freezing has been switched on the button is lit.

Super freezing automatically switches off after approx. 2½ days.

Thawing frozen food

Depending on the type and application, select one of the following options:

- at room temperature
- in the refrigerator
- in an electric oven, with/without fan assisted hot-air
- in the microwave



Caution

Do not refreeze thawing or thawed food. Only ready meals (boiled or fried) may be refrozen.

No longer store the frozen produce for the max. storage period.

Interior fittings

You can reposition the shelves inside the appliance and the door shelves as required:

- Pull shelf forwards, lower and swing out to the side.
- Raise the door shelf and remove. Fig. **4**

Special features

(not all models)

Taking out the extendable glass shelf

Fig. **1**/16

The glass shelf can be removed for cleaning. To do this, pull out shelf, lift at the front and take out.

Bottle shelf

Fig. 6 A/B

Bottles can be stored securely on the bottle shelf.

Cold storage compartment

Fig. 1/19

The cold storage compartment has lower temperatures than the refrigerator compartment. Even temperatures below 0 °C may occur.

Ideal for storing fish, meat and sausage. Not suitable for lettuce and vegetables and produce sensitive to cold.

Drawer insert

Fig. 9

The insert can be taken out.

Door container

Fig. 1/28*

Ideal for the storage of sweets, spices and dressings.

Bottle holder

Fig. 1/30

The bottle holder prevents bottles from falling over when the door is opened and closed.

Ice maker

Fig. 8

1. Take out water container and fill with water up to the mark.
2. Carefully empty water into the storage container via the filler opening. Ensure that the water does not run into or splash onto the storage container. Otherwise, ice cubes could freeze to each other or to the container.
3. When the ice cubes are frozen, press lever down and release. The ice cubes loosen and fall into the storage container.
4. Remove ice cubes from the storage container. The ice cubes should be removed regularly from the storage container to prevent them from freezing to each other.

Drawer for sausage and cheese

Fig. 14

The drawer can be removed for adding and removing food. Lift the drawer and pull out. The drawer holder can be adjusted.

Sticker “OK”

(not all models)

The sticker “OK” lets you check whether the refrigerator compartment achieves the safe temperature ranges of +4 °C or colder recommended for food. If the sticker does not indicate “OK”, gradually reduce the temperature.

Note

When the appliance is switched on, it may take up to 12 hours until the set temperature is reached.

**Correct setting**

Switching off and disconnecting the appliance**Switching off the appliance**

Fig. 1

Press the On/Off button 12. Refrigerating unit and light switch off.

Disconnecting the appliance

If you do not use the appliance for a prolonged period:

1. Switch off the appliance.
2. Pull out mains plug or switch off fuse.
3. Clean the appliance.
4. Leave the appliance door open.

Defrosting

Refrigerator compartment

Defrosting is actuated automatically.

The condensation runs through the drainage hole into an evaporation pan on the rear of the appliance.

Freezer compartment

The fully automatic NoFrost system ensures that the freezer compartment remains free of ice. Defrosting is no longer required.

Cleaning the appliance

Caution

- Do not use abrasive, chloride or acidic cleaning agents or solvents.
- Do not use scouring or abrasive sponges.
The metallic surfaces could corrode.
- Never clean shelves and containers in the dishwasher.
The parts may become deformed!

Water used for cleaning must not drip into the

- slots in the front base area in the freezer compartment,
- controls,
- and light.

Proceed as follows:

1. Before cleaning: Switch off the appliance.
2. Pull out mains plug or switch off fuse.
3. Take out the frozen food and store in a cool location. Place the ice pack (if enclosed) on the food.
4. Wait until the layer of frost has thawed.
5. Clean the appliance with a soft cloth, lukewarm water and a little pH neutral washing-up liquid. The rinsing water must not run into the light.
6. Wipe the door seal with clear water only and then wipe dry thoroughly.
7. After cleaning reconnect and switch the appliance back on.
8. Put the frozen food back into the appliance.

Interior fittings

All variable parts of the appliance can be taken out for cleaning.

Take out glass shelves

Pull the glass shelves forwards and take out.

Take out shelves in the door

Fig. **4**

Lift shelves upwards and take out.

Taking glass shelf out of chiller compartment

Fig. **10**

Press the holder upwards and take out the glass shelf.

Note

Do not clean glass shelf of the cold storage compartment under running water.

Drawers in the refrigerator compartment

Fig. 12

Pull out the drawer all the way, lift up and remove.

To insert drawer, place the drawer on the telescopic rails and push into the appliance. Attach the drawer by pressing it down.

Note

Before the vegetable drawer can be taken out, the glass shelf above must be taken out.

Taking out glass shelf above vegetable container

Fig. 11

The glass shelf can be taken out and disassembled for cleaning.

Note

Before taking out the glass shelf, pull out vegetable container.

Light (LED)

Your appliance features a maintenance-free LED light.

These lights may be repaired by customer service or authorised technicians only.

Tips for saving energy

- Install the appliance in a dry, well ventilated room! The appliance should not be installed in direct sunlight or near a heat source (e.g. radiator, cooker).
If required, use an insulating plate.
- Allow warm food and drinks to cool down before placing in the appliance.
- Thaw frozen food in the refrigerator compartment and use the low temperature of the frozen food to cool refrigerated food.
- Open the appliance as briefly as possible.
- To avoid increased power consumption, occasionally clean the back of the appliance.
- If available:
Fit wall spacers to obtain the indicated energy rating of the appliance (see Installation instructions). A reduced wall gap will not restrict the function of the appliance. The energy rating may then increase slightly. The gap of 75 mm must not be exceeded.
- The arrangement of the fittings does not affect the energy rating of the appliance.

Operating noises

Quite normal noises

Note

When super freezing is switched on, increased operating noises may occur.

Droning

Motors are running (e.g. refrigerating units, fan).

Bubbling, humming or gurgling noises

Refrigerant is flowing through the tubing.

Clicking

Motor, switches or solenoid valves are switching on/off.

Cracking

Automatic defrosting is running.

Preventing noises

The appliance is not level

Please align the appliance with a spirit level. Use the height-adjustable feet or place packing underneath them.

The appliance is not free-standing

Please move the appliance away from adjacent units or appliances.

Containers or storage areas wobble or stick

Please check the removable parts and re-insert them correctly if required.

Bottles or receptacles are touching each other

Move the bottles or receptacles slightly away from each other.

Eliminating minor faults yourself

Before you call customer service:

Please check whether you can eliminate the fault yourself based on the following information.

Customer service will charge you for advice – even if the appliance is still under guarantee!

Fault	Possible cause	Remedial action
Temperature differs greatly from the set value.		<p>In some cases it is adequate to switch off the appliance for 5 minutes.</p> <p>If the temperature is too high wait a few hours and check whether the temperature has approached the set value.</p> <p>If the temperature is too low check the temperature again the next day.</p>
The light does not function.	<p>The LED light is defective.</p> <p>Appliance was open too long.</p> <p>Light is switched off after approx. 10 min.</p>	<p>See chapter “Light (LED)” section.</p> <p>When the appliance is closed and opened, the light is on again.</p>
Controls have reduced luminosity.	When the appliance is not used for some time, the display on the fascia switches to energy saving mode.	As soon as the appliance is again used, e.g. the door is opened, the display switches back to normal illumination.
Displays do not illuminate.	Power failure; the fuse has been switched off; the mains plug has not been inserted properly.	Connect mains plug. Check whether the power is on, check the fuses.

Fault	Possible cause	Remedial action
Warning signal sounds. The alarm button is lit. Fig. 2 /5	Fault – the freezer compartment is too warm!	To switch off the warning signal, press the alarm button 5.
	Appliance is open.	Close the appliance.
	Ventilation openings have been covered.	Ensure that there is adequate ventilation.
	Too much food was placed in the freezer compartment at once.	Do not exceed max. freezing capacity.
The temperature in the freezer compartment is too warm.	Appliance opened frequently.	Do not open the appliance unnecessarily.
	The ventilation openings have been covered.	Remove obstacles.
	Large quantities of fresh food are being frozen.	Do not exceed max. freezing capacity.
Freezer compartment door was open for a long time; temperature is no longer reached.	The evaporator (refrigeration generator) in the NoFrost system is covered in thick ice and can no longer be defrosted fully automatically.	<p>To defrost the evaporator, remove the frozen food with the compartments, insulate well and store in a cool location.</p> <p>Switch off the appliance and move it away from the wall. Leave the appliance door open.</p> <p>After approx. 20 min. the condensation begins to run into the evaporation pan, at the rear of the appliance. Fig. 13</p> <p>To prevent the evaporation pan from overflowing in this case, mop up the condensation with a sponge.</p> <p>The evaporator is defrosted when the water stops running into the evaporation pan. Clean the interior. Switch the appliance back on again.</p>

Customer service

Your local customer service can be found in the telephone directory or in the customer-service index. Please provide customer service with the appliance product number (E-Nr.) and production number (FD-Nr.).

This information can be found on the rating plate. Fig. **15**

To prevent unnecessary call-outs, please assist customer service by quoting the product and production numbers. This will save you additional costs.

Repair order and advice on faults

Contact information for all countries can be found on the enclosed customer service list.

GB	0344 892 8979	Calls charged at local or mobile rate.
IE	01450 2655	0.03 € per minute at peak. Off peak 0.0088 € per minute.
US	800 944 2904	toll-free

Prescriptions- d'hygiène-alimentaire

Chère cliente, cher client,
conformément à la réglementation française visant à empêcher la présence de listeria dans le compartiment réfrigérateur, nous vous remercions de respecter les consignes suivantes :

- Nettoyez fréquemment le compartiment intérieur du réfrigérateur à l'aide d'un détergent non agressif, ne provoquant pas d'oxydation des pièces métalliques (utilisez par ex. de l'eau tiède additionnée d'un peu de produit à vaisselle).
Ensuite, désinfectez avec de l'eau additionnée de vinaigre ou de jus de citron les surfaces que vous avez préalablement nettoyées, ou utilisez un produit germicide en vente dans le commerce et adapté aux réfrigérateurs (avant d'utiliser ce produit sur les pièces métalliques, faites un test de compatibilité à un endroit peu visible).
- Enlevez les emballages commerciaux avant de mettre les produits alimentaires dans le compartiment réfrigérateur (par ex. le carton qui réunit les pots de yaourt).
- Pour éviter toute contamination entre des produits alimentaires de nature différente, rangez-les bien séparés les uns des autres, bien emballés ou rangés dans des récipients à couvercle.

- Avant de préparer des plats et de saisir des produits alimentaires, lavez-vous les mains. Avant de préparer d'autres plats, lavez-vous à nouveau les mains. Lavez-les encore une fois avant de prendre un repas.
- Lavez les ustensiles de cuisine dont vous venez de vous servir avant de les réutiliser (cuillère en bois, planche de découpe, couteau de cuisine, etc.).

Consignes de sécurité et avertissements

Avant de mettre l'appareil en service

Veillez lire attentivement et entièrement les informations figurant dans les notices d'utilisation et de montage. Elle contiennent des remarques importantes concernant l'installation, l'utilisation et l'entretien de l'appareil.

Le fabricant décline toute responsabilité si les consignes et mises en garde contenues dans la notice d'utilisation ne sont pas respectées. Veillez conserver ces documents en vue d'une réutilisation ultérieure ou pour le cas où l'appareil changerait de propriétaire.

Sécurité technique



Risque d'incendie

Dans les tubulures du circuit frigorifique circule une petite quantité de fluide frigorigène respectueux de l'environnement mais combustible (R600a). Il n'abîme pas la couche d'ozone et n'accroît pas l'effet de serre. Le fluide frigorigène risque en fuyant de blesser les yeux ou de s'enflammer.

Si l'appareil est endommagé

- éloignez de l'appareil toute flamme nue ou source d'inflammation,
- aérez bien la pièce pendant quelques minutes,
- éteignez l'appareil puis débranchez la fiche mâle de la prise de courant,
- prévenez le service après-vente.

Plus l'appareil contient du fluide réfrigérant et plus grande doit être la pièce dans laquelle il se trouve. Dans les pièces trop petites, un mélange gaz-air inflammable peut se former en cas de fuite.

Comptez 1 m³ de volume minimum de la pièce pour 8 g de fluide réfrigérant. La quantité de fluide présente dans l'appareil est indiquée sur la plaque signalétique située à l'intérieur de ce dernier.

Lors de l'installation de l'appareil, veillez à ce que le cordon d'alimentation secteur ne soit pas coincé ni endommagé.

Si le cordon d'alimentation secteur de cet appareil a été endommagé, il faut confier son remplacement au fabricant, au service après-vente ou à une personne détenant des qualifications similaires. Les installations et réparations non effectuées dans les règles peuvent engendrer des risques considérables pour l'utilisateur.

Les réparations ne pourront être réalisées que par le fabricant, le service après-vente ou une personne détenant des qualifications similaires.

Il ne faut utiliser que les pièces d'origine du fabricant. Le fabricant ne garantit que les pièces d'origine car elles seules remplissent les exigences de sécurité.

N'utilisez pas de bloc multiprise, de rallonge ou d'adaptateur.



Risque d'incendie

Les blocs multiprises ou blocs secteur portables peuvent surchauffer et provoquer un incendie.

N'utilisez pas de blocs multiprises ni de blocs secteur portables derrière l'appareil.

Pendant l'utilisation

- N'utilisez jamais d'appareils électriques à l'intérieur de l'appareil (p. ex. appareils de chauffage, machine à glaçons, etc.). Risque d'explosion !
- Ne dégivrez ni ne nettoyez jamais l'appareil avec un nettoyeur à vapeur ! La vapeur risque d'atteindre des pièces électriques et de provoquer un court-circuit. Risque d'électrocution !
- Hormis les instructions du fabricant pour ne pas prendre des mesures supplémentaires pour accélérer le dégivrage. Risque d'explosion !
- Pour détacher le givre ou les couches de glace, n'utilisez jamais d'objets pointus ou présentant des arêtes vives. Vous risqueriez d'endommager les tubulures dans lesquelles circule le produit réfrigérant. Si le fluide réfrigérant jaillit, il peut provoquer des lésions oculaires ou s'enflammer.
- Ne stockez dans l'appareil ni produits contenant des gaz propulseurs inflammables (p. ex. bombes aérosols) ni produits explosifs. Risque d'explosion !
- Ne vous servez pas des socles, clayettes et portes comme marchepieds ou pour vous appuyer.
- Pour dégivrer et nettoyer l'appareil, débranchez la fiche mâle de la prise de courant ou retirez le fusible / désarmez le disjoncteur. Pour débrancher l'appareil, tirez sur la fiche mâle et non pas sur son cordon.
- Ne conservez les bouteilles de boissons fortement alcoolisées qu'hermétiquement fermées et debout.

- L'huile et la graisse ne doivent pas entrer en contact avec les parties en matières plastiques et le joint de porte. Ces derniers pourraient sinon devenir poreux.
 - Ne recouvrez et n'obstruez jamais les orifices de ventilation de l'appareil.
 - Ne portez jamais des produits surgelés à la bouche immédiatement après les avoir sortis du compartiment congélation.
Risque d'engelures !
 - Évitez tout contact prolongé des mains avec les produits congelés, la glace ou les tubes de l'évaporateur, etc.
Risque d'engelures !
 - Dans compartiment congélation, ne stockez pas de liquides en bouteilles ou en boîtes (en particulier les boissons gazeuses). Les bouteilles et les boîtes pourraient éclater !
- **Évitez des risques pour les enfants et les personnes vulnérables :**
Sont en danger les enfants et les personnes dont les capacités physiques, psychiques ou de perception sont restreintes, ainsi que les personnes ne détenant pas suffisamment de connaissances sur l'utilisation sûre de l'appareil.
Assurez-vous que les enfants et les personnes vulnérables ont bien compris la nature des dangers.
Une personne responsable de la sécurité doit surveiller ou guider les enfants et les personnes vulnérables lorsqu'elles se trouvent près de l'appareil.
Ne permettez l'utilisation de l'appareil qu'aux enfants de plus de 8 ans.
Surveillez les enfants pendant le nettoyage et la maintenance.
Ne laissez jamais des enfants jouer avec l'appareil.

Les enfants et l'appareil

- Ne confiez jamais l'emballage et ses pièces constitutives aux enfants.
Ils risquent de s'étouffer avec les cartons pliants et les feuilles de plastique !
- L'appareil n'est pas un jouet pour enfants !
- Appareils équipés d'une serrure :
rangez la clé hors de portée des enfants !

Dispositions générales

L'appareil convient pour

- réfrigérer et congeler des aliments,
- préparer des glaçons.

Cet appareil est destiné à un usage domestique dans un foyer privé, et à l'environnement domestique.

Le circuit frigorifique a subi un contrôle d'étanchéité.

Cet appareil est conforme aux dispositions de sécurité applicables aux appareils électriques et il est déparasité.

Cet appareil est conçu pour une utilisation jusqu'à une altitude maximale de 2 000 m.

Conseil pour la mise au rebut

Mise au rebut de l'emballage

L'emballage protège votre appareil contre les dommages susceptibles de survenir en cours de transport. Tous les matériaux qui le composent sont compatibles avec l'environnement et recyclables. Aidez-nous : à éliminer l'emballage dans le respect de l'environnement.

Pour connaître les circuits actuels de mise au rebut, adressez-vous s.v.p. à votre revendeur ou à l'administration de votre commune.



Éliminez l'emballage en respectant l'environnement.

Mise au rebut de l'ancien appareil

Les appareils usagés ne sont pas des déchets dénués de valeur ! Leur élimination dans le respect de l'environnement permet d'en récupérer de précieuses matières premières.



Cet appareil est marqué selon la directive européenne 2012/19/UE relative aux appareils électriques et électroniques usagés (waste electrical and electronic equipment - WEEE).

La directive définit le cadre pour une reprise et une récupération des appareils usagés applicables dans les pays de la CE.

Mise en garde

Avant de mettre au rebut l'appareil qui ne sert plus :

1. Débranchez sa fiche mâle.
2. Sectionnez son câble d'alimentation et retirez-le avec la fiche mâle.
3. Pour dissuader les enfants de grimper dans l'appareil, ne retirez pas les clayettes et les bacs !
4. Ne permettez pas aux enfants de jouer avec l'appareil lorsqu'il ne sert plus. Risque d'étouffement !

Les appareils réfrigérants contiennent du fluide réfrigérant. L'isolant contient des gaz. Il faut que le fluide réfrigérant et les gaz soient éliminés dans les règles de l'art. Jusqu'à l'enlèvement de l'appareil, veillez bien à ce que son circuit frigorifique ne soit pas endommagé.

Étendue des fournitures

Après avoir déballé, vérifiez toutes les pièces pour détecter d'éventuels dégâts dus au transport.

En cas de réclamation, veuillez vous adresser au revendeur auprès duquel vous avez acquis l'appareil ou auprès de notre service après-vente.

La livraison comprend les pièces suivantes :

- Appareil indépendant
- Équipement (selon le modèle)
- Sachet avec visserie de montage
- Notice d'utilisation
- Notice de montage
- Carnet de service après-vente
- Pièce annexe de la garantie
- Informations relatives à la consommation d'énergie et aux bruits

Contrôler la température ambiante et l'aération

Température ambiante

L'appareil a été conçu pour une catégorie climatique précise. Suivant la catégorie climatique, l'appareil est utilisable dans les températures ambiantes suivantes.

La catégorie climatique de l'appareil figure sur sa plaque signalétique, Fig. 15.

Catégorie climatique	Température ambiante admissible
SN	+10 °C à 32 °C
N	+16 °C à 32 °C
ST	+16 °C à 38 °C
T	+16 °C à 43 °C

Remarque

L'appareil est entièrement fonctionnel à l'intérieur des limites de température ambiante prévues dans la catégorie climatique indiquée. Si un appareil de la catégorie climatique SN est utilisé à des températures ambiantes plus basses, il est possible d'exclure que l'appareil s'endommage jusqu'à une température de +5 °C.

Aération

Fig. 3

L'air situé contre la paroi arrière et les parois latérales de l'appareil s'échauffe. L'air chaud doit pouvoir s'échapper sans obstacle. S'il ne le peut pas, le groupe frigorifique doit fonctionner plus longtemps, ce qui augmente la consommation de courant. Pour cette raison, ne recouvrez ni et n'obstruez jamais les orifices d'aération de l'appareil.

Branchement de l'appareil

Après l'installation de l'appareil en position verticale, attendez au moins une heure avant de le mettre en service. Il peut en effet arriver, pendant le transport, que l'huile présente dans le compresseur se déplace vers le circuit frigorifique.

Avant la première mise en service, nettoyez le compartiment intérieur de l'appareil. (Voir le chapitre « Nettoyage de l'appareil ».)

Branchement électrique

La prise de courant doit être proche de l'appareil et demeurer librement accessible même après avoir installé ce dernier.

Mise en garde

Risque d'électrocution !

N'utilisez jamais de bloc multiprise ou de rallonge si la longueur du cordon d'alimentation secteur est insuffisante. Dans ce cas, contactez le service après-vente qui vous indiquera des alternatives.

L'appareil est conforme à la classe de protection I. Raccordez l'appareil au courant alternatif 220 – 240 V/50 Hz via une prise de courant installée dans les règles et comportant un fil de terre. La prise doit être protégée par un fusible de 10 A à 16 A.

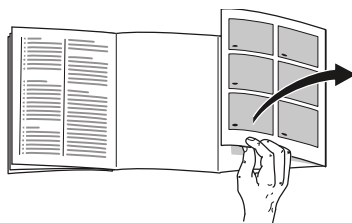
Sur les appareils utilisés dans des pays non européens, vérifiez si la tension et le type de courant indiqués correspondent aux valeurs de votre réseau électrique. Vous trouverez ces indications sur la plaque signalétique, Fig. 15.

Mise en garde

Il ne faut en aucun cas raccorder l'appareil à des fiches électroniques d'économie d'énergie.

Nos appareils peuvent être alimentés via des onduleurs pilotés par le secteur ou à pilotage sinusoïdal. Directement raccordées au réseau public, les installations photovoltaïques font appel à des onduleurs pilotés par le secteur. Dans les solutions en îlots (p. ex. sur les bateaux ou les refuges de montagne), ne disposant pas d'un raccordement direct au réseau électrique public, il faut utiliser des onduleurs à pilotage sinusoïdal.

Présentation de l'appareil



Veillez déplier la dernière page, illustrée, de la notice. La présente notice d'utilisation vaut pour plusieurs modèles. L'équipement des modèles peut varier. Selon le modèle, l'appareil peut différer du contenu des illustrations.

Fig. **1**

* Selon le modèle.

- 1-10 Éléments de commande
- 11 Interrupteur d'éclairage du compartiment congélateur
- 12 Touche Marche / Arrêt
- 13 Compartiment de congélation rapide
- 14 Éclairage (LED)
- 15 Interrupteur d'éclairage du compartiment réfrigérateur
- 16 Clayette extractible en verre
- 17 Orifice de sortie d'air
- 18 Clayettes du compartiment réfrigérateur
- 19 Compartiment froid
- 20 Bac à légumes
- 21 Orifice d'apport et d'évacuation d'air
- 22 Pied à vis
- 23 Rangement en contre-porte
- 24 Distributeur de glaçons
- 25 Bac à glaçons

- 26 Casier à beurre et à fromage
- 27 Balconnet à oeufs
- 28* Balconnet en contre-porte
- 29 Rangement en contre-porte
- 30 Porte-bouteilles
- 31 Clayette à grandes bouteilles

- A Compartiment congélateur
- B Compartiment réfrigérateur

Éléments de commande

Fig. 2

- 1 **Affichage de la température régnant dans le compartiment congélateur**
Les chiffres correspondent aux températures °C réglées dans le compartiment congélateur.
- 2 **Indicateur de supercongélation**
Ce voyant ne s'allume que pour indiquer que la supercongélation s'est enclenchée.
- 3 **Affichage de la température dans le compartiment réfrigérateur**
Les chiffres correspondent aux températures °C réglées dans le compartiment réfrigérateur.
- 4 **La mention « super »**
S'allume lorsque la super-réfrigération est en train de fonctionner.
- 5 **Touche d'alarme**
Sert à désactiver l'alarme sonore (voir le chapitre « Fonction alarme »).
- 6 **Indicateur de Mode Économie d'énergie**
S'allume lorsque l'appareil n'est pas en service.

- 7 **Touches de réglage de la température dans le compartiment congélateur**
Ces touches servent à régler la température du compartiment congélateur.
- 8 **Touche « Super » (compartiment congélateur)**
Pour allumer et éteindre la supercongélation.
- 9 **Touches de réglage de la température dans le compartiment réfrigérateur**
Ces touches servent à régler la température du compartiment réfrigérateur.
- 10 **Touche « super » compartiment réfrigérateur**
Pour allumer et éteindre la super-réfrigération.

Enclenchement de l'appareil

Fig. 2

Allumez l'appareil par la touche Marche / Arrêt **1**/12.

Une alarme sonore retentit. L'affichage de température 1 clignote et le voyant d'alarme 5 s'allume.

Appuyez sur la touche d'alarme 5. L'alarme sonore s'éteint et l'affichage de température 1 cesse de clignoter.

Le voyant d'alarme s'éteint une fois que l'appareil a atteint la température réglée.

Le fabricant recommande les températures suivantes :

- Compartiment réfrigérateur : +4 °C
- Compartiment congélateur : -18 °C

Remarques concernant le fonctionnement de l'appareil

- Après son allumage, l'appareil peut avoir besoin de plusieurs heures pour atteindre les températures réglées.
- Grâce au système NoFrost entièrement automatique, le compartiment congélateur ne se couvre pas de givre. Il n'est plus nécessaire de dégivrer.
- L'appareil chauffe légèrement une partie de ses surfaces frontales pour empêcher une condensation d'eau dans la zone du joint de porte.
- Si la porte du compartiment congélateur ne se laisse pas immédiatement rouvrir après l'avoir fermée, attendez un moment pour laisser à la dépression régnant dans le compartiment le temps de se résorber.

Réglage de la température

Fig. 2

Compartiment réfrigérateur

La température est réglable entre +2 °C et +8 °C.

Appuyez sur la touche de réglage de la température 9 jusqu'à ce que la température souhaitée soit réglée dans le compartiment réfrigérateur.

L'appareil mémorise la valeur réglée en dernier. La température réglée s'affiche à l'affichage de température 3.

Nous recommandons de régler le compartiment réfrigérateur sur +4 °C (réglage usine).

Évitez de stocker les produits alimentaires délicats à une température supérieure à +4 °C.

Compartiment congélateur

La température est réglable entre -16 °C et -24 °C.

Appuyez sur la touche de réglage de la température 7 jusqu'à ce que la température souhaitée soit réglée dans le compartiment congélateur.

L'appareil mémorise la valeur réglée en dernier. La température réglée s'affiche à l'affichage de température 1.

Mode Économie d'énergie

L'affichage des éléments de commande passe en mode Économie d'énergie si vous n'effectuez aucune manip sur l'appareil.

- L'affichage du Mode Économie d'énergie, Fig. 2/6, est allumé.
- La luminosité des affichages de température est moins forte.
- Lorsque la fonction Super est active, l'affichage « super » correspondant s'allume (affichage de Super-réfrigération, Fig. 2/4 ou affichage de Supercongélation, Fig. 2/2).

Dès que vous utilisez l'appareil, par exemple que vous ouvrez la porte ou appuyez sur une touche quelconque, l'affichage commute sur la luminosité normale.

Fonction alarme

Une alarme sonore peut se déclencher dans les cas suivants.

Alarme de porte

Lorsque l'appareil reste trop longtemps ouvert, l'alarme de porte (tonalité permanente) s'enclenche et la mention « alarm » 2/5 s'allume. Le fait de refermer l'appareil éteint l'alarme sonore.

Alarme de température

L'alarme de température s'enclenche lorsque la température est trop élevée dans le compartiment congélateur et que les produits surgelés risquent de s'abîmer.

L'affichage de température 1 clignote et la touche d'alarme 5 s'allume.

Après avoir appuyé sur la touche d'alarme 5, la température la plus élevée qui a régné dans le compartiment congélateur apparaît pendant cinq secondes à l'affichage de température 1.

Ensuite, cette valeur est effacée et l'affichage de température 1 montre la température réglée.

L'alarme peut s'activer dans les cas suivants, sans que cela signifie que les produits congelés risquent de s'abîmer

- lors de la mise en service de l'appareil,
- lors du rangement de grandes quantités de produits frais,
- lorsque la porte du compartiment congélateur est restée trop longtemps ouverte.

Remarque

Ne remettez pas à congeler des produits alimentaires partiellement ou entièrement décongelés. Vous pourrez les recongeler uniquement après les avoir transformés en plats pré-cuisinés (par cuisson ou rôtissage).

N'utilisez pas la durée de conservation dans son intégralité.

Désactiver l'alarme

Fig. **2**

Appuyez sur la touche « alarm » 5 pour éteindre l'alarme sonore.

Contenance utile

Vous trouverez les indications relatives à la contenance utile sur la plaque signalétique de votre appareil. Fig. **15**

Utiliser l'intégralité du volume de congélation

Pour pouvoir ranger la quantité maximale de produits congelés, vous pouvez retirer les pièces composant l'équipement suivantes.

Pour retirer les pièces d'équipement

- Vous pouvez sortir le rangement en contre-porte. Fig. **4**
- Sur les appareils avec distributeur de glaçons, il est possible de retirer ce dernier. Fig. **5**

Le compartiment réfrigérateur

Le compartiment réfrigérateur est l'endroit idéal où ranger les plats finis de préparer, les pâtisseries, conserves, le lait condensé, le fromage dur ainsi que les fruits et légumes craignant le froid.

Consignes de rangement

Rangez les aliments si possible bien emballés ou bien couverts. Ils garderont ainsi arôme, couleur et fraîcheur. Ceci empêche en outre que certains aliments ne communiquent leur goût à d'autres et que les pièces en plastique changent anormalement de couleur.

Remarque

Évitez que les produits alimentaires entrent en contact avec la paroi arrière. Cela gênerait sinon la circulation de l'air. Les produits alimentaires ou les emballages pourraient rester collés, par congélation, contre la paroi arrière.

Tenez compte des différentes zones froides dans le compartiment réfrigérateur

L'air circulant dans le compartiment réfrigérateur fait que des zones différemment froides apparaissent :

■ La zone la plus froide

se trouve dans le compartiment intérieur, contre la paroi arrière et dans le compartiment froid.

Fig. **11**/19

Remarque

Dans la zone la plus froide, rangez les aliments délicats (par ex. le poisson, la charcuterie, la viande).

■ Zone la moins froide

elle se trouve complètement en haut, contre la porte.

Remarque

Rangez dans la zone la moins froide par ex. le fromage dur et le beurre. De la sorte, le fromage peut continuer de développer son arôme et le beurre demeure tartinable.

Bac à légumes avec régulateur d'humidité

Fig. **7**

Le bac à légumes est l'endroit optimal où stocker les fruits et légumes frais. Un régulateur d'humidité et un joint spécial permettent d'ajuster l'humidité de l'air dans le bac à légumes. Les fruits et légumes frais se conservent ainsi jusqu'à deux fois plus longtemps que'en cas du stockage conventionnel.

Vous pouvez adapter l'humidité de l'air régnant dans le bac à légumes en fonction de la nature et de la quantité des produits à ranger :

- Fruits principalement et appareil très rempli – humidité de l'air moins élevée
- Légumes principalement et appareil rempli de produits différents ou faiblement rempli – humidité de l'air plus élevée

Remarques

- Il est recommandé de ranger les fruits (par exemple ananas, bananes, papayes, agrumes) et légumes (par exemple les aubergines, concombres, courgettes, poivrons, tomates et pommes de terre) qui craignent le froid hors du réfrigérateur à des températures entre +8 °C à +12 °C pour en préserver optimalment la qualité et l'arôme.
- Suivant la quantité et la nature des produits stockés, de l'eau peu se condenser dans le bac à légumes. Retirez l'eau condensée avec un essuie-tout sec et ajustez l'humidité de l'air dans le bac à légumes via le régulateur d'humidité.

Super-réfrigération

Pendant la super-réfrigération, la température dans le compartiment réfrigérateur descend le plus bas possible pendant env. 6 heures. Ensuite, l'appareil commute sur la température réglée avant que vous n'activiez la super-réfrigération.

Activez la super-réfrigération par exemple

- avant de ranger de grandes quantités d'aliments.
- avant de réfrigérer rapidement des boissons.

Allumage et extinction

Fig. **2**

Appuyez sur la touche « super » 10.

Le voyant de la touche est allumé si vous avez activé la super-réfrigération.

Le compartiment congélateur

Utilisation du compartiment congélateur

- Sert à ranger des produits surgelés.
- Sert à confectionner des glaçons.
- Pur congeler des produits alimentaires.

Remarque

Veillez à ce que la porte du compartiment congélateur soit correctement fermée ! Si cette porte reste ouverte, les produits surgelés dégèleront. Le compartiment congélateur se givre fortement. En outre : gaspillage d'énergie dû à une consommation élevée d'électricité !

Capacité de congélation maximale

Sur la plaquette signalétique, vous trouverez des indications concernant la capacité de congélation maximale en 24 heures. Fig. **15**

Congélation et rangement

Achats de produits surgelés

- Leur emballage doit être intact.
- Ne dépassez pas la date-limite de conservation.
- Il faut que la température dans le congélateur bahut du supermarché soit de -18 °C ou encore plus basse.
- Utilisez de préférence un sac isotherme pour le transport puis rangez les produits le plus rapidement possible dans le compartiment congélateur.

Consignes de rangement

Congeler des quantités importantes de produits alimentaires dans le compartiment de congélation rapide. Y est la plus rapide, ce qui en même temps les ménage.

Veillez à ce que les produits congelés n'entrent pas en contact avec des produits frais.

Congélation de produits frais

Pour congeler les aliments, n'utilisez que des aliments frais et d'un aspect impeccable.

Il faudrait blanchir les légumes avant de les congeler, pour préserver le mieux possible leur valeur nutritive, leur arôme et leur teinte. Il n'est pas nécessaire de blanchir les aubergines, poivrons, courgettes et asperges.

Vous trouverez en librairie toute une bibliographie sur la congélation et le blanchissement.

Remarque

Veillez à ce que les produits alimentaires à congeler n'entrent pas en contact avec des produits déjà congelés.

- Se prêtent à la congélation :
Pâtisseries, poissons et fruits de mer, viande de boucherie et gibier, volaille, fruits, légumes, herbes culinaires, œufs sans la coque, produits laitiers comme le fromage, le beurre et le fromage blanc, plats précuisinés et restes de plats tels que les soupes, ragouts, la viande et le poisson cuits, les plats aux pommes de terre, les soufflés et mets sucrés.
- Ne se prêtent pas à la congélation :
Variétés de légumes habituellement dégustées crues telles que la salade ou les radis, œufs dans leur coque, raisins, pommes, poires et pêches entières, œufs cuits durs, yaourt, lait caillé, crème acidulée, crème fraîche et mayonnaise.

Emballer les surgelés

L'air ne doit pas pénétrer dans l'emballage pour que les aliments ne perdent pas leur goût ni ne sèchent pas.

1. Placez les aliments dans l'emballage.
2. Presser pour chasser l'air.
3. Obturez l'emballage hermétiquement.
4. Indiquez sur l'emballage le contenu et la date de congélation.

Emballages adaptés :

Film en plastique, feuilles en polyéthylène, feuilles d'aluminium, boîtes de congélation.

Vous trouverez ces produits dans le commerce spécialisé.

Emballages inadaptés :

Papier d'emballage, papier sulfurisé, cellophane, sacs-poubelles et sachets d'achat déjà utilisés.

Moyens d'obturation adaptés :

Caoutchoucs, clips en plastique, ficelles, rubans adhésifs résistants au froid, ou assimilés.

Vous pouvez sceller les sachets ou boudins en polyéthylène avec une thermosoudeuse.

Durée de conservation des produits surgelés

La durée de conservation dépend de la nature des produits alimentaires.

Si la température a été réglée sur -18 °C :

- Poisson, charcuterie, plats pré-cuisinés, pâtisseries :
jusqu'à 6 mois
- Fromage, volaille, viande :
jusqu'à 8 mois
- Fruits et légumes :
jusqu'à 12 mois

Supercongélation

Il faudrait congeler les produits alimentaires à cœur le plus rapidement possible afin de préserver leurs vitamines, leur valeur nutritive, leur aspect et leur goût.

Pour empêcher une hausse indésirable de la température, allumez la supercongélation quelques heures avant de ranger des produits alimentaires frais. 4 à 6 heures suffisent généralement.

L'appareil fonctionne désormais en permanence. Le compartiment congélateur atteint une température très basse.

S'il faut utiliser la capacité de congélation maximale, il faut enclencher la supercongélation 24 heures avant de ranger des produits frais.

Si vous ne voulez congeler que de petites quantités d'aliments (jusqu'à 2 kg), vous n'avez pas besoin d'enclencher la supercongélation.

Remarque

Si vous avez activé la supercongélation, l'appareil peut fonctionner plus bruyamment.

Allumage et extinction

Fig. 2

Appuyez sur la touche « super » 8.

A l'enclenchement de la supercongélation, le voyant de la touche s'allume.

La supercongélation se désactive automatiquement au bout de 2½ jours.

Décongélation des produits

Selon la nature et l'utilisation des produits surgelés, vous pouvez choisir entre plusieurs possibilités :

- à la température ambiante,
- dans le réfrigérateur,
- dans le four électrique, avec / sans ventilateur à air chaud,
- dans le micro-ondes.

Attention

Ne remettez pas à congeler des produits alimentaires partiellement ou entièrement décongelés. Vous pourrez les recongeler uniquement après les avoir transformés en plats pré-cuisinés (par cuisson ou rôtissage).

Dans ce cas, consommez-les nettement avant la date limite de conservation.

Equipement

Vous pouvez modifier suivant besoin l'agencement des clayettes du compartiment intérieur et l'agencement des récipients en contre-porte :

- Tirez la clayette en avant, abaissez-la et faites-la basculer latéralement pour l'extraire.
- Soulevez le rangement en contre-porte puis extrayez-le. Fig. **4**

Equipement spécial

(selon le modèle)

Retirer la clayette extractible en verre

Fig. **1**/16

La clayette en verre se laisse retirer pour la nettoyer. Pour ce faire, tirez la clayette, soulevez-la à l'avant et retirez-la.

Clayette à bouteilles

Fig. **6** A/B

Cette clayette permet de ranger des bouteilles de manière sûre.

Compartiment froid

Fig. **1**/19

Les températures régnant dans le compartiment froid sont plus basses que dans le compartiment réfrigérateur. Des températures inférieures à 0 °C peuvent également se manifester.

Idéal pour ranger le poisson, la viande et la charcuterie. Ne convient pas pour les salades, les légumes et les produits alimentaires qui craignent le froid.

Insert pour tiroir

Fig. **9**

Vous pouvez sortir l'insert.

Balconnet en contre-porte

Fig. **1**/28*

Idéal pour ranger des sucreries, épices et sauces toutes prêtes.

Porte-bouteilles

Fig. **1**/30

Le porte-bouteilles empêche ces dernières de se renverser lorsque vous ouvrez et refermez la porte.

Distributeur de glaçons

Fig. 8

1. Retirez le réservoir d'eau et remplissez-le d'eau jusqu'au repère.
2. Par le biais de l'orifice de remplissage, videz prudemment l'eau dans le bac à glace. Veillez ce faisant à ce que l'eau ne coule pas dans le bac à glace ou contre ses parois, et qu'elle n'éclabousse pas. Les glaçons risqueraient sinon de coller les uns contre les autres ou contre le bac.
3. Une fois les glaçons formés, poussez le levier vers le bas et relâchez-le. Les glaçons se détachent et tombent dans le bac à glace.
4. Sortez les glaçons du bac à glace. Il faudrait prélever régulièrement les glaçons de la réserve pour les empêcher de coller les uns contre les autres.

Tiroir à charcuterie et fromage

Fig. 14

Vous pouvez retirer le tiroir pour le remplir et le vider. Pour ce faire, soulevez le tiroir. La fixation du tiroir est variable.

Autocollant « OK »

(selon le modèle)

L'autocollant « OK » vous permet de vérifier si les plages de températures sûres de +4 °C ou moins recommandées pour les aliments sont atteintes dans le compartiment réfrigérateur. Si l'autocollant n'indique pas « OK », abaissez progressivement la température.

Remarque

Après la mise en service de l'appareil, ce dernier peut nécessiter jusqu'à 12 heures pour atteindre la température réglée.



Réglage correct

Arrêt et remisage de l'appareil

Coupure de l'appareil

Fig. 1

Appuyez sur la touche Marche / Arrêt 12.

Le groupe frigorifique et l'éclairage s'éteignent.

Remisage de l'appareil

Si l'appareil doit rester longtemps sans servir :

1. Éteignez l'appareil.
2. Débranchez la fiche mâle du secteur ou ramenez le disjoncteur en position éteinte.
3. Nettoyez l'appareil.
4. Laissez la porte de l'appareil ouverte.

Si vous dégivrez l'appareil

Compartiment réfrigérateur

La décongélation a lieu automatiquement.

L'eau de condensation sort par l'orifice d'écoulement puis gagne le bac d'évaporation au dos de l'appareil.

Compartiment congélateur

Grâce au système NoFrost entièrement automatique, le compartiment congélateur ne se couvre pas de givre. La nécessité de dégivrer disparaît.

Nettoyage de l'appareil

Attention

- N'utilisez aucun produit de nettoyage ni aucun solvant contenant du sable, du chlorure ou de l'acide.
- N'utilisez jamais d'éponges abrasives ou susceptibles de rayer.
Des zones corrodées pourraient apparaître sur les surfaces métalliques.
- Ne nettoyez jamais les clayettes et les bacs au lave-vaisselle.
Ces pièces pourraient se déformer !

L'eau de nettoyage ne doit pas pénétrer dans

- les ouïes aménagées dans la partie avant du fond du compartiment congélateur,
- dans les éléments de commande,
- et dans l'éclairage.

Procédez comme suit :

1. Éteignez l'appareil avant de le nettoyer.
2. Débranchez la fiche mâle du secteur ou ramenez le disjoncteur en position éteinte.
3. Retirez les produits surgelés et stockez-les dans un endroit frais.
Posez l'accumulateur de froid (si présent) sur les produits alimentaires.
4. Attendez que la couche de givre ait fondu.

5. Ne nettoyez l'appareil qu'avec un chiffon doux, de l'eau tiède et du produit à vaisselle présentant un pH neutre. L'eau de nettoyage ne doit pas pénétrer dans l'éclairage.
6. N'essuyez le joint de porte qu'avec un chiffon et de l'eau propre ; ensuite, séchez-le à fond.
7. Après le nettoyage : rebranchez la fiche mâle de l'appareil puis réenclenchez-le.
8. Rangez à nouveau les produits congelés.

Équipement

Pour nettoyer, il est possible de retirer toutes les pièces variables de l'appareil.

Retirer les clayettes en verre

Tirez les clayettes en verre à vous puis extrayez-les.

Sortir les supports en contre-porte

Fig. **4**

Soulevez les supports et retirez-les.

Retirer le clayette en verre du compartiment froid

Fig. **10**

Poussez la fixation vers le haut et sortez la clayette en verre.

Remarque

Ne nettoyez pas la clayette en verre du compartiment froid sous l'eau du robinet.

Tiroirs dans le compartiment réfrigérateur

Fig. 12

Ouvrez le tiroir en grand, soulevez-le pour le décranter puis extrayez-le.

Pour mettre le tiroir en place, posez-le à l'avant sur les rails de sortie et poussez-le dans l'appareil. Appuyez sur le tiroir pour le faire enclencher.

Remarque

Avant de pouvoir extraire le tiroir à légumes, il faut au préalable retirer la clayette en verre qui se trouve au dessus.

Extraire la clayette en verre au dessus du bac à légumes

Fig. 11

Vous pouvez retirer et démonter la clayette en verre pour la nettoyer.

Remarque

Avant de retirer la clayette en verre, sortez d'abord le bac à légumes.

Éclairage (LED)

Votre appareil est équipé d'un éclairage par LED ne demandant pas d'entretien.

Les réparations de cet éclairage sont exclusivement réservées au service après-vente ou à des spécialistes autorisés.

Economies d'énergie

- Placez l'appareil dans un local sec et aérable. Veillez à ce que l'appareil ne soit pas directement exposé aux rayons solaires et qu'il ne se trouve pas à proximité d'une source de chaleur (par ex. radiateur, cuisinière).

Utilisez le cas échéant une plaque isolante.

- Attendez que les plats chauds aient refroidi avant de les ranger dans le compartiment congélateur.
- Déposez le produit congelé dans le compartiment réfrigérateur et profitez de son froid pour refroidir les produits alimentaires.
- N'ouvrez la porte de l'appareil que le plus brièvement possible.
- Pour éviter une consommation accrue de courant, nettoyez occasionnellement le dos de l'appareil.
- Si présent :
Montez les écarteurs muraux pour parvenir à la quantité mentionnée d'énergie absorbée par l'appareil (voir la notice de montage). Un écart moins élevé par rapport au mur ne restreint pas le fonctionnement de l'appareil. Dans ce cas, l'énergie absorbée peut augmenter légèrement. Il ne faut pas dépasser un écart de 75 mm.
- L'agencement des pièces d'équipement n'influe pas sur l'énergie absorbée par l'appareil.

Bruits de fonctionnement

Bruits parfaitement normaux

Remarque

Lorsque la supercongélation est activée, l'appareil peut fonctionner plus bruyamment.

Bourdonnement sourd

Les moteurs tournent (par ex. groupes frigorifiques, ventilateur).

Clapotis, sifflement léger ou gargouillis

Le fluide frigorigène circule dans les tuyaux.

Cliquetis

Le moteur, les interrupteurs ou les électrovannes s'allument / s'éteignent.

Craquement

Le dégivrage automatique a lieu.

Éviter la génération de bruits

L'appareil ne repose pas d'aplomb

Veillez mettre l'appareil d'aplomb à l'aide d'un niveau à bulle. Ajustez ensuite l'horizontalité par les pieds à vis ou placez un objet dessous.

L'appareil touche quelque chose

Eloignez l'appareil de meubles ou d'appareils voisins.

Les bacs ou surfaces de rangement vacillent ou se coincent

Vérifiez les pièces amovibles puis remettez-les en place correctement.

Des bouteilles ou récipients se touchent

Eloignez légèrement les bouteilles ou récipients les uns des autres.

Remédier soi même aux petites pannes

Avant d'appeler le service après-vente (SAV) :

Vérifiez svp si vous ne pouvez pas remédier vous-même au dérangement à l'aide des instructions qui suivent.

Vous éviterez des dépenses inutiles car le déplacement du technicien du SAV vous sera facturé même pendant la période de garantie.

Dérangement	Cause possible	Remède
La température dévie fortement par rapport au réglage.		<p>Dans certains cas, il suffira d'éteindre l'appareil pendant 5 minutes.</p> <p>Si la température est trop élevée, vérifiez au bout de seulement quelques heures si un rapprochement de la température a eu lieu.</p> <p>Si la température est trop basse, vérifiez à nouveau la température le lendemain.</p>
L'éclairage ne fonctionne pas.	L'éclairage par LED est défectueux.	Voir le chapitre « Éclairage (LED) ».
	<p>L'appareil est restée ouverte trop longtemps.</p> <p>L'éclairage s'éteint au bout d'environ 10 minutes.</p>	Après avoir fermé et ouvert l'appareil, l'éclairage fonctionne à nouveau.
Luminosité réduite des éléments de commande.	Si l'appareil ne sert pas pendant un certain temps, l'affichage sur le bandeau de commande passe en mode Économie d'énergie.	Dès que vous réutilisez l'appareil, par exemple dès que vous ouvrez une porte, l'affichage revient sur sa luminosité normale.
Aucun voyant ne s'allume.	Coupure de courant ; disjoncteur disjoncté ; fiche mâle pas complètement branchée dans la prise.	Branchez la fiche mâle dans la prise de courant. Vérifiez s'il y a du courant, vérifiez les fusibles / disjoncteurs.

Dérangement	Cause possible	Remède
L'alarme sonore retentit. La touche d'alarme est allumée. Fig. 2 /5	Dérangement : température excessive dans le compartiment congélateur !	Pour désactiver l'alarme sonore, appuyez sur la touche d'alarme 5.
	L'appareil est ouvert.	Fermez l'appareil.
	Orifices d'entrée et de sortie d'air recouverts.	Veillez à ce que l'air puisse entrer et sortir librement.
	Vous avez mis d'un coup trop de produits à congeler.	Ne dépassez pas la capacité de congélation maximale. Après avoir supprimé ce dérangement, la touche d'alarme s'éteint au bout d'un certain temps.
La température régnant dans le compartiment congélateur est trop élevée.	Vous avez ouvert fréquemment l'appareil.	N'ouvrez pas l'appareil inutilement.
	Les orifices d'apport et d'évacuation d'air sont recouverts par des objets faisant obstacle.	Enlevez ces obstacles.
	Vous avez mis une assez grande quantité d'aliments à congeler.	Ne dépassez pas la capacité de congélation maximale.
La porte du compartiment congélateur est restée longtemps ouverte ; le compartiment congélateur n'atteint plus la température.	L'évaporateur (le générateur de froid) équipant le système NoFrost est tellement givré qu'il ne peut plus se dégivrer de façon entièrement automatique.	Pour dégivrer l'évaporateur, sortez les produits alimentaires dans leurs casiers et rangez-les bien isolés dans un endroit frais. Éteignez l'appareil et éloignez-le du mur. Laissez la porte de l'appareil ouverte. Au bout de 20 minutes environ, l'eau de dégivrage commence à couler dans le bac d'évaporation au dos de l'appareil. Fig. 13 Pour éviter dans ce cas que le bac d'évaporation ne déborde, récupérez cette eau à l'aide d'une éponge. L'évaporateur est entièrement dégivré lorsqu'il ne coule plus d'eau de dégivrage dans le bac d'évaporation. Nettoyez le compartiment intérieur. Remettez ensuite l'appareil en service.

Service après-vente

Pour connaître le service après-vente situé le plus près de chez vous, consultez l'annuaire téléphonique ou le répertoire des services après-vente (SAV). Veuillez indiquer au SAV le numéro de série (E-Nr.) de l'appareil et son numéro de fabrication (FD-Nr.).

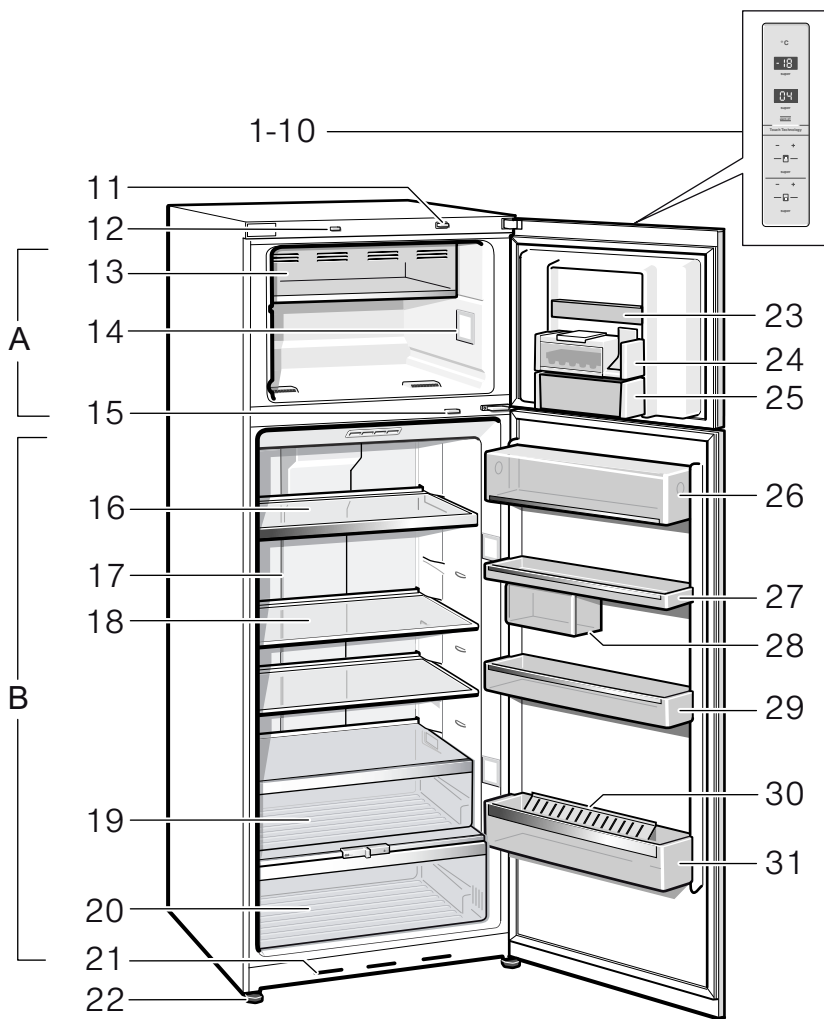
Vous trouverez ces indications sur la plaque signalétique. Figure **15**

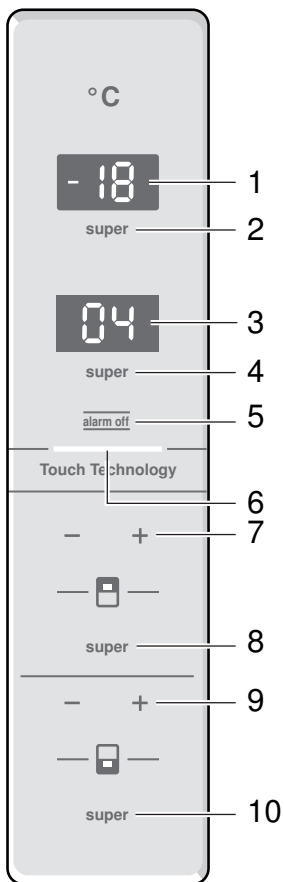
Aidez-nous à éviter des déplacements inutiles : merci d'indiquer les numéros de série et de fabrication. Vous économiserez ainsi des suppléments de frais inutiles.

Commande de réparation et conseils en cas de dérangements

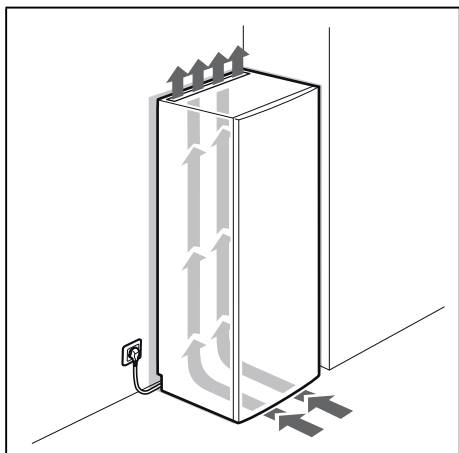
Vous trouverez les données de contact pour tous les pays dans l'annuaire ci-joint du service après-vente.

FR	01 40 10 11 00
B	070 222 141
CH	0848 840 040

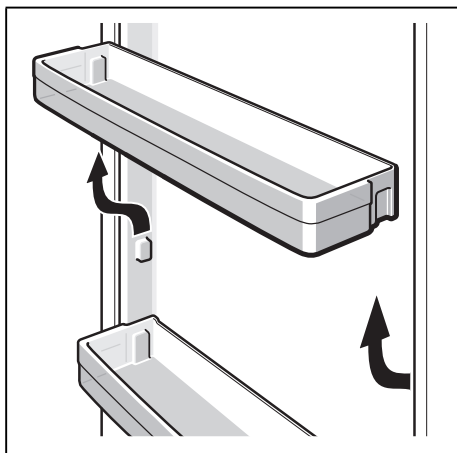




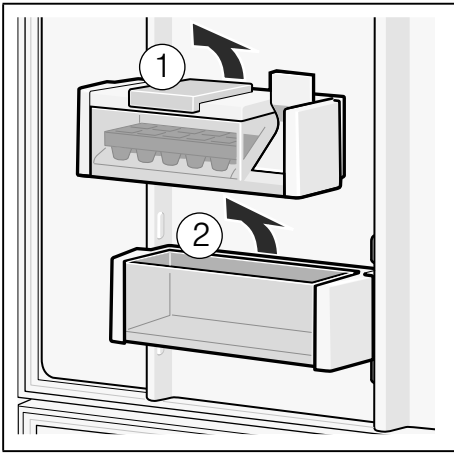
2



3



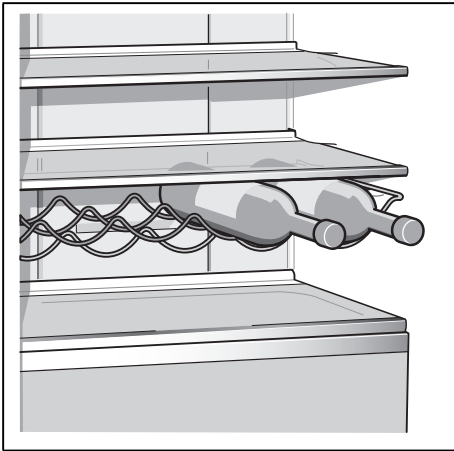
4



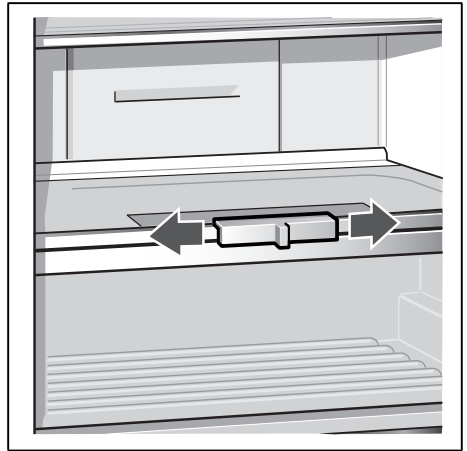
5



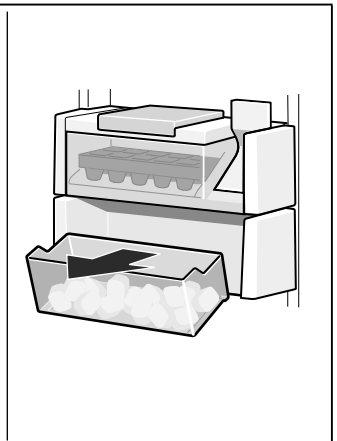
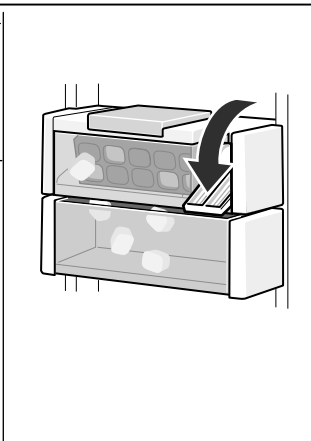
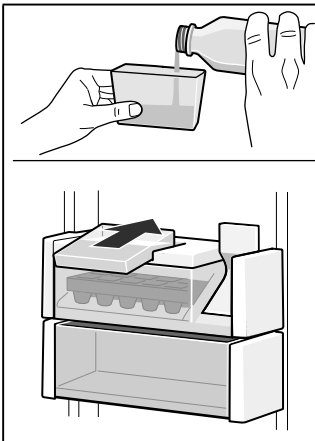
6/A



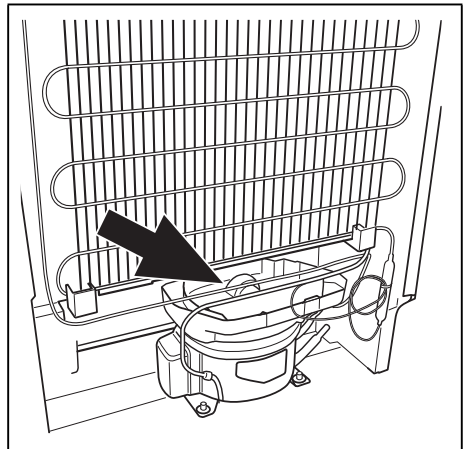
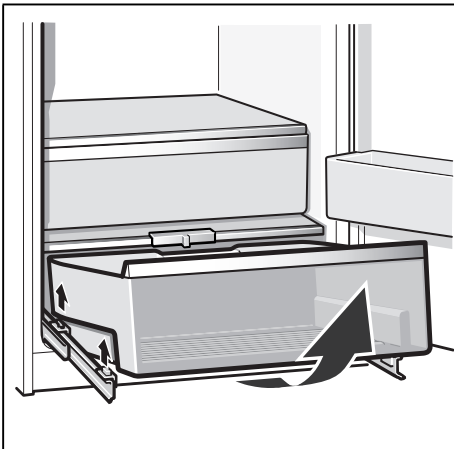
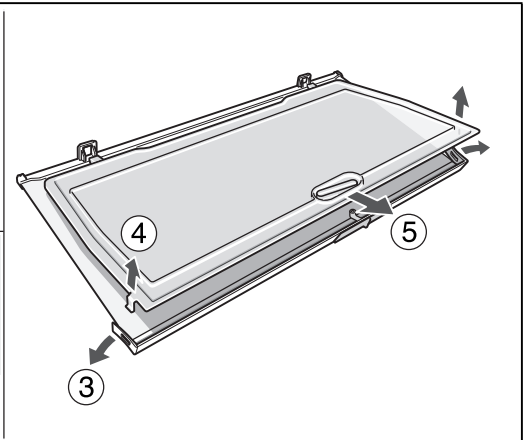
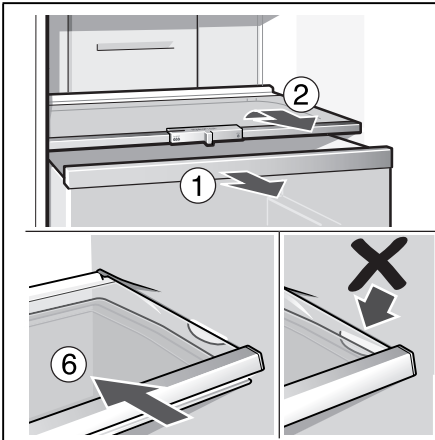
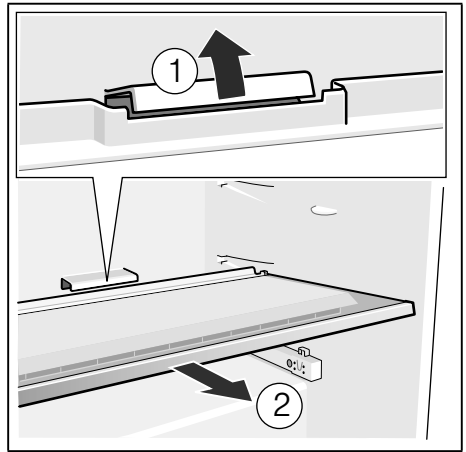
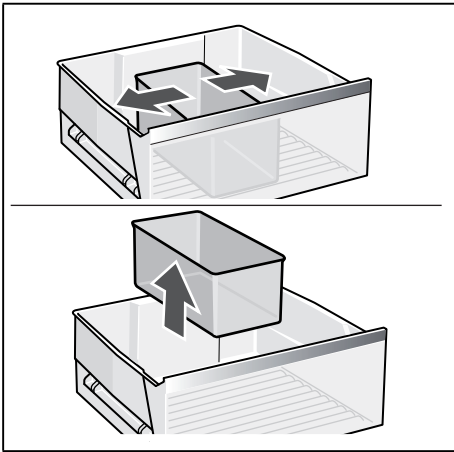
6/B

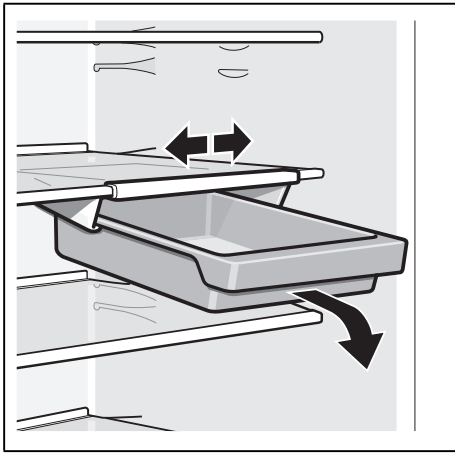


7

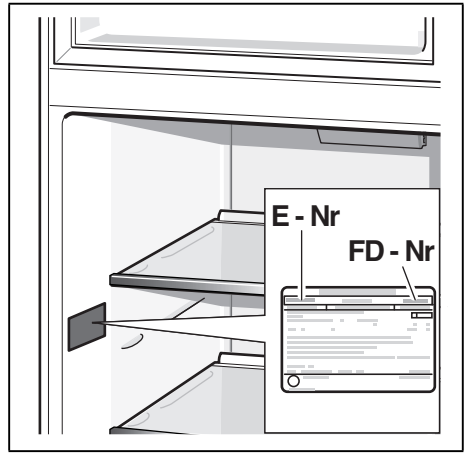


8





14



15



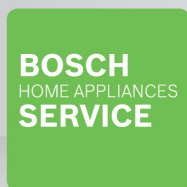
Thank you for buying a Bosch Home Appliance!

Register your new device on MyBosch now and profit directly from:

- **Expert tips & tricks for your appliance**
- **Warranty extension options**
- **Discounts for accessories & spare-parts**
- **Digital manual and all appliance data at hand**
- **Easy access to Bosch Home Appliances Service**

Free and easy registration – also on mobile phones:

www.bosch-home.com/welcome



Looking for help? You 'll find it here.

Expert advice for your Bosch home appliances, need help with problems or a repair from Bosch experts.

Find out everything about the many ways Bosch can support you:

www.bosch-home.com/service

Contact data of all countries are listed in the attached service directory.

Bosch Home Appliance Group

P.O. Box 83 01 01

D-81701 Munich

Germany

www.bosch-home.com



8001058755 (9903)

en, fr