

# USE AND CARE GUIDE



BUILT-IN COFFEE MACHINE

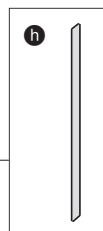
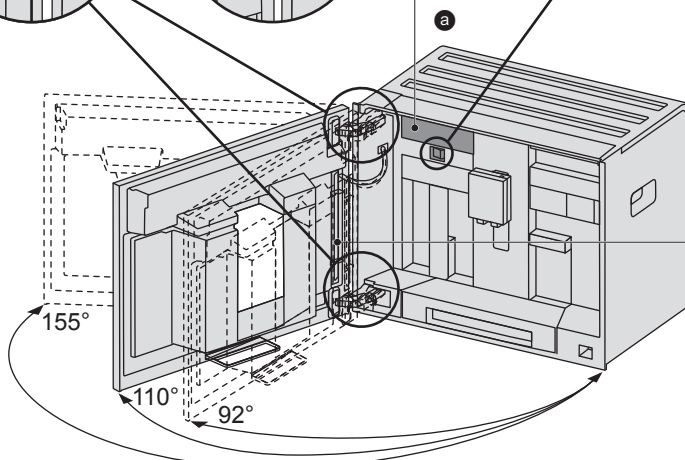
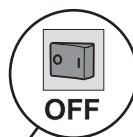
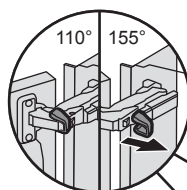
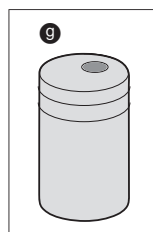
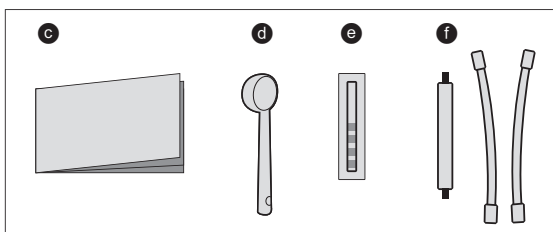
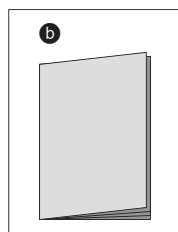
**Thermador**   
REAL INNOVATIONS FOR REAL COOKS®

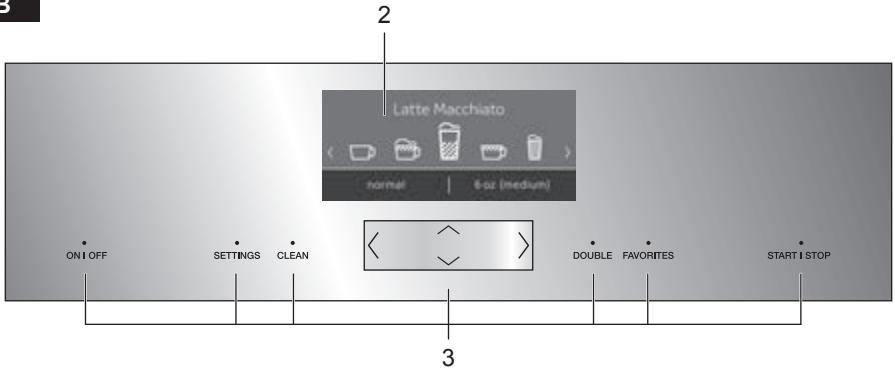
**A**

**Included in delivery** (see page 6)

**Contenu de l'emballage** (voir page 38)

**Lista de partes incluidas** (véase la página 73)



**B****C**

4

4a



1a



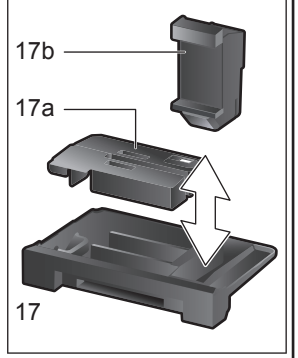
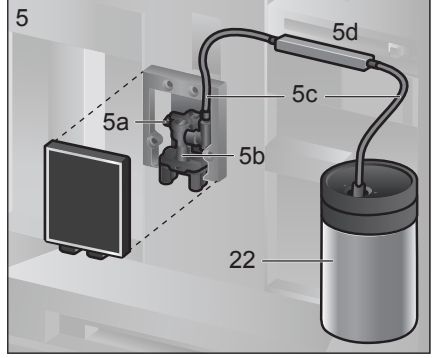
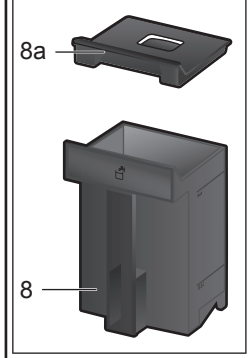
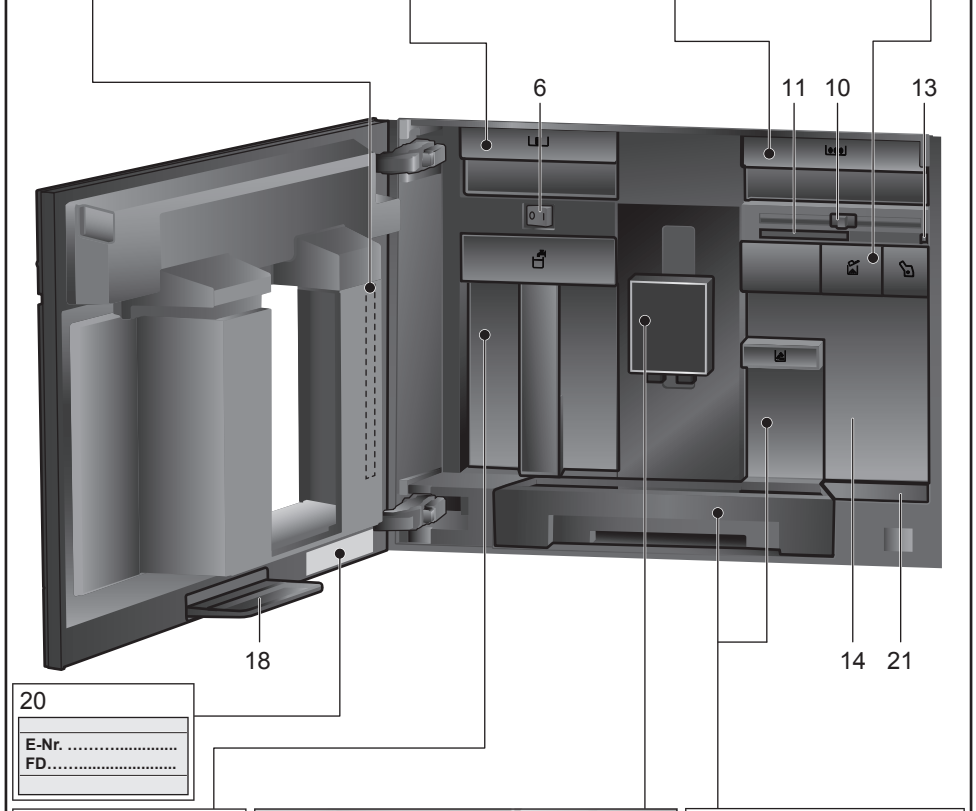
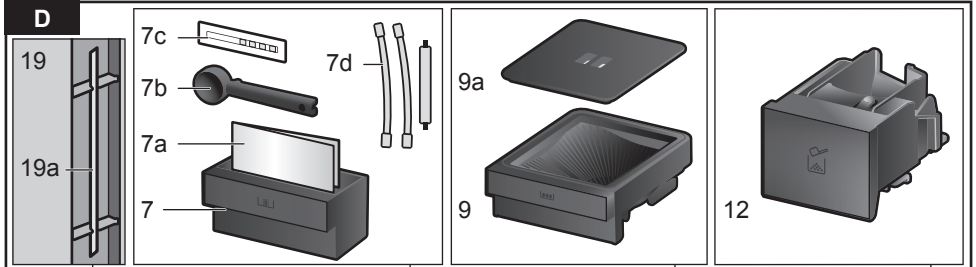
22

22c

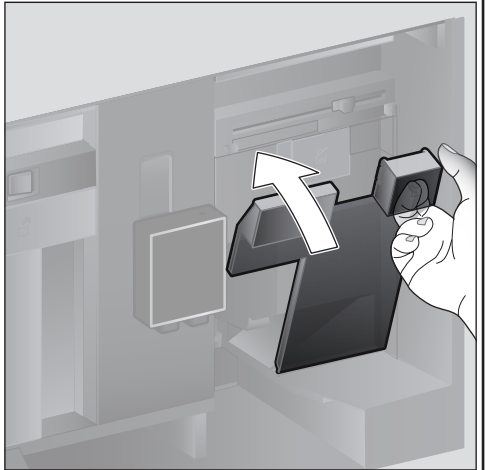
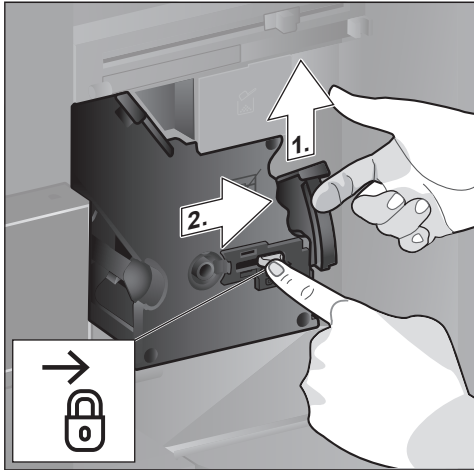
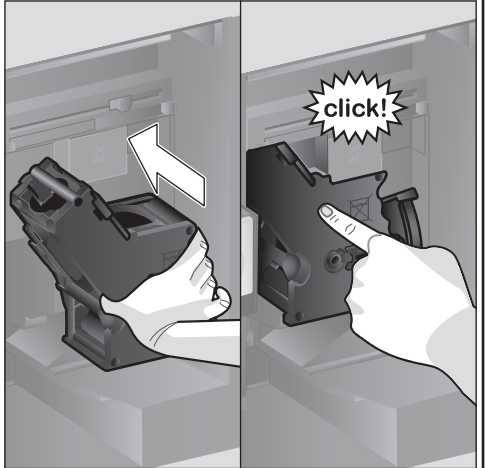
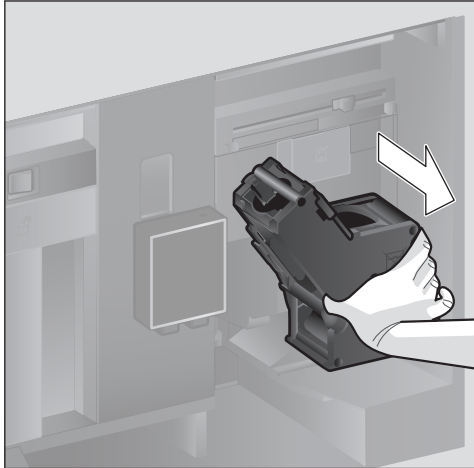
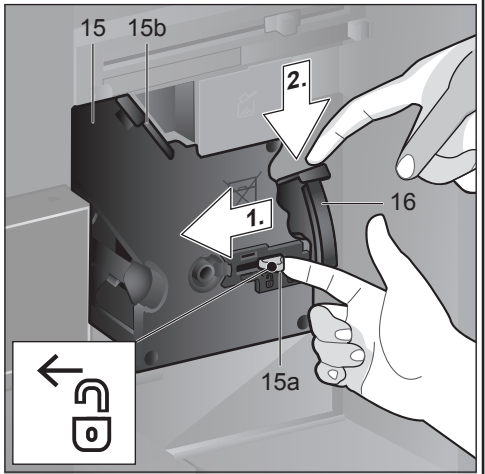
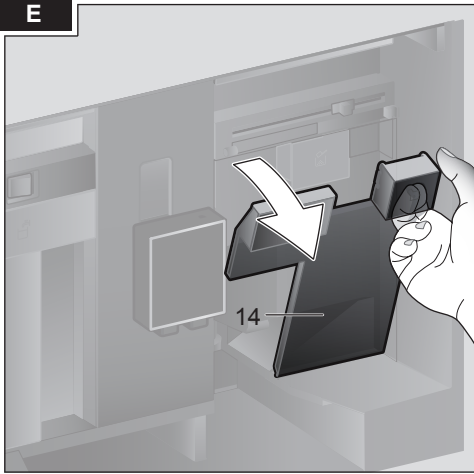
22b

22a





E



---

## Contents

Important Safety Precautions .....	4
Overview.....	7
Controls .....	8
Initial use .....	8
Display.....	10
Preparing drinks .....	10
Preparation using coffee beans.....	12
Preparation using milk.....	13
Preparation using ground coffee .....	14
Dispensing hot water .....	14
Personalized drinks .....	15
Two cups at once.....	15
Adjusting the grind setting .....	16
Childproof lock.....	16
Menu.....	17
Care and daily cleaning .....	19
Service programs .....	23
Tips on energy saving .....	25
Frost protection.....	25
Storing accessories .....	25
Accessories .....	25
Disposal.....	26
Simple troubleshooting .....	26
Technical specifications .....	30
Warranty .....	31

This Thermador Appliance is made by  
BSH Home Appliances Corporation  
1901 Main Street, Suite 600  
Irvine, CA 92614

Questions?  
1-800-944-2904

**[www.thermador.com](http://www.thermador.com)**

We look forward to hearing from you.

## How to use these instructions

You can open up the front cover of this instruction manual. There you will find illustrations of the appliance with each part numbered. These numbers will be referred to throughout the text.

Example: brewing unit (15)

These instructions also show display texts and symbols in a special way. These enable you to clearly see where we refer to texts or symbols that are marked or displayed on the appliance.

Display indicators: "Latte Macchiato"



Buttons and controls on the display:  
[ START | STOP ]



The appliance comes with a quick reference guide where you can find the most important functions at a glance. It can be stored in the accessory drawer of the appliance.

**Pay special attention to the important safety instructions in the "Important Safety Precautions" section.**

## Safety Definitions



### WARNING

This indicates that death or serious injuries may occur as a result of non-observance of this warning.



### CAUTION

This indicates that minor or moderate injuries may occur as a result of non-observance of this warning.

### NOTICE:

This indicates that damage to the appliance or property may occur as a result of non-compliance with this advisory.

### Note:

This alerts you to important information and/or tips.

# **IMPORTANT SAFETY PRECAUTIONS** **READ AND SAVE THESE INSTRUCTIONS**

---

**When using electrical appliances, basic safety precautions should always be followed, including the following:**

1. Please read and follow the operating instructions carefully and keep them for later reference. If the unit is transferred to another party, please be sure to include these instructions.
2. Do not touch hot surfaces. Use handles or knobs.
3. Be sure that all components are assembled and fastened properly.
4. To protect against fire, electric shock and injury to persons, do not immerse cord, plugs, or body in water or in any other liquid. See use and care manual for cleaning.
5. Close supervision is necessary when the appliance is used by or near children.
6. Unplug from outlet when not in use and before cleaning. Allow to cool before putting on or taking off parts, and before cleaning the appliance.
7. Do not operate any appliance with a damaged cord or plug or after it malfunctions, or has been damaged in any manner. Return appliance to the nearest authorized service facility.
8. The use of accessories attachments not recommended by the appliance manufacturer may result in fire, electric shock or injury to persons.
9. Do not use outdoors or in a damp area.
10. Do not let cord hang over edge of table or countertop, or touch hot surfaces.
11. Do not place unit or components on or near a cooktop or range, or in a heated oven.
12. Always attach plug to appliance first, then plug cord into the wall outlet. To disconnect, turn control to "off", then remove plug from wall outlet.
13. Do not use appliance for anything other than its intended use.
14. Save these Instructions.



## **WARNING**

### **State of California**

#### **Proposition 65 Warnings:**

This product contains chemicals known to the State of California to cause cancer, birth defects or other reproductive harm.

## **IMPORTANT!**

### **This appliance is designed for domestic and not commercial use.**

Use indoors at room temperature only.

Do not use at more than 6560 feet / 2000 meters above sea level.

Protect your Coffeemaker against freezing or it will be damaged.

Supervise children to ensure that they do not play with the appliance.



# IMPORTANT SAFETY PRECAUTIONS READ AND SAVE THESE INSTRUCTIONS



## WARNING

**To reduce risk of fire and electric shock:**

### Installation

Connect and operate the appliance only according to the rating plate specifications.

Use appliance only with transformer which is identified as Type 8001007072.

Do not connect the appliance to or operate it by means of a time switch or remote control socket.

The unit must not be operated with an extension cord.

Use the Coffeemaker only if power cord and appliance show no signs of damage. Should a problem occur, pull the plug and disconnect from the power immediately. Never immerse the appliance or power cable in water or any liquid.

### Grounding

This appliance may only be connected to a power supply with 120 Volt AC via a correctly installed receptacle with ground.

### Repairs

To avoid potential hazards, repairs must only be carried out by qualified repair service personnel.

If the power cord of this appliance is damaged, it must be replaced by a special connection cord, which is available from our Customer Service Department.



## CAUTION

**To avoid the risk of scalding:**

Please note that the beverages are very hot when dispensed.

Do not use chemically softened water!

**To avoid the risk of suffocation:**

Do not allow children to play with packaging material. Store small parts safely as they can be a choke hazard.

**To avoid the risk of injury:**

Keep descaling tablets out of the reach of children. Keep children away from the appliance and power cable.

Do not reach into the grinding unit. Be careful not to pinch your fingers when closing the door. A misuse of the appliance can potentially lead to injury.

**To avoid the risk of burns:**

The beverage outlet gets very hot. After use, allow to cool down first before touching. After use, the heating element surfaces and warming plate can retain heat. Wait until cool before touching.

**To avoid the risk of influence electronic implants:**

The appliance contains permanent magnets that may influence electronic implants such as pacemakers or insulin pumps. Persons wearing electronic implants must maintain a minimum distance of 4 inches from the front of the appliance and from the following parts upon removal: milk container, milk system, water tank and brewing unit.

## Included in delivery

(Figure A on the fold-out pages)

- a Fully automatic coffee machine
- b Instruction manual
- c Quick reference guide
- d Measuring spoon
- e Water hardness testing strip
- f Milk tube (set)
- g Milk container
- h Suction pipe

## Congratulations ...

... on purchasing this fully automatic coffee machine! You have now acquired a high-quality and modern kitchen appliance. It combines innovative technology with a range of functions and is easy to use. It will enable you to prepare a variety of delicious hot drinks quickly and simply – whether you're in the mood for an invigorating espresso, a creamy cappuccino, a smooth latte macchiato or white coffee, or a traditional cup of coffee. At the same time the appliance offers you a wide range of options for adapting it to your individual taste.

To ensure that you can use this fully automatic coffee machine with all its functions and features reliably and safely, we would like you to familiarize yourself with its components, functions, displays and controls. These instructions are designed to help you. So please take the time to read them before you switch on the appliance.

## Overview

(Figures **B** to **E** on the fold-out pages)

- 1 Appliance door
  - a) Recessed grip (for opening the door)
  - b) Drip tray
- 2 Display
- 3 Control panel
- 4 Outlet system (coffee, milk, hot water), height-adjustable
  - a) Cover
- 5 Milk system
  - a) Snap lever
  - b) Beverage outlet  
(upper part, lower part)
  - c) Milk tube (2 pieces)
  - d) Connecting element, metal  
(for magnet holder)
- 6 Power switch [ O/I ] (power supply)
- 7 Accessory drawer  
(for quick reference guide and accessories)
  - a) Quick reference guide
  - b) Measuring spoon
  - c) Water hardness strip
  - d) Milk tube (set)
- 8 Removable water tank
  - a) Lid for water tank
- 9 Removable bean container
  - a) Lid for bean container
- 10 Slide regulator for grinding degree setting
- 11 Magnet holder (for connecting element)
- 12 Removable drawer  
(for ground coffee/cleaning tablet)
- 13 Holder (for milk tube)
- 14 Protective cover (for brewing unit)
- 15 Brewing unit
  - a) Locking mechanism
  - b) Cover
- 16 Eject lever
- 17 Removable drip tray
  - a) Drip tray cover
  - b) Coffee grounds container
- 18 Collecting tray
- 19 Holder (for suction pipe)
  - a) Suction pipe
- 20 Rating plate (E number, FD)
- 21 Shelf with sensor (for milk container)
- 22 Milk container
  - a) Stainless steel container
  - b) Lower part of the lid
  - c) Upper part of the lid

### Note:

Further information about the appliance, such as how to change the opening angle of the door, can be found in the installation instructions.

## Controls

The appliance features user-friendly menu navigation to ensure that operation is as easy as possible while at the same time offering a wide range of functions. That means a range of options can be selected with just a few operating steps.

### Power switch [ O/I ]

The power switch [ O/I ] (with the door open) is used to switch on the appliance or switch it off completely (power supply is interrupted).

### NOTICE:

Do not press the power switch while the appliance is in use. Switch off the appliance only when it is in energy saving mode, so that it can rinse automatically.

### Control panel (touch field)

Navigate on the control panel by pressing the symbols and characters.

You will hear an audible signal. The audible signal can be switched on and off (see the section "Menu – Key press sound").

### [ ON I OFF ]

Press [ ON I OFF ] to switch on the appliance or put it into energy saving mode. The appliance is rinsed automatically.

The appliance does not rinse if:

- if it is still warm when switched on, or
- if no coffee was dispensed before it was switched off.

The appliance is ready for use as soon as the symbols for the drinks selection appear on the display.

### [ SETTINGS ]

Press [ SETTINGS ] to call up the menu. Settings can be made and information called up (see the section "Menu").

### [ CLEAN ]

Press [ CLEAN ] to open the selection of service programs. Run the desired program as described in the section "Service programs".

### [ DOUBLE ]

Press [ DOUBLE ] after selecting a drink to prepare two cups simultaneously (see the section "Two cups at once").

### [ FAVORITES ]

Press [ FAVORITES ] to open the selection of "Personalized beverage preparation". Personal settings for coffee drinks can be saved and called up (see the section "Personalized drinks").

### [ START I STOP ]

Press [ START I STOP ] for either beverage preparation or to launch a service program.

### Note:

If you press [ START I STOP ] again while the drink is being prepared, dispensing will be prematurely halted.

### Arrow navigation button

Press the arrow on the arrow button to navigate in the display or to change parameters.

### Display

The display shows drinks, settings and information (see the section "Display").

## Initial use

### General

Fill the appropriate container using only pure, **cold**, uncarbonated water and only **roasted** beans. Do not use coffee beans that have been glazed, caramelized or treated with other additives containing sugar, since they will block the brewing unit.



## WARNING

Before the appliance can be switched on and used, it must be assembled and connected according to the enclosed assembly instructions.

### Setting up the appliance

- Remove any protective plastic film.

### NOTICE:

Only use the appliance in a frost-free room. If it has been transported or stored at temperatures below 32°F, wait at least 3 hours before initial use.

- Take hold of the appliance door by the recessed grip and open.
- Remove the water tank, rinse it and fill it with fresh water up to the “max.” mark.
- Replace the water tank and click into place.
- Remove the bean container, fill with coffee beans and replace.
- Set the power switch to [ ON I OFF ] and close the appliance door.

The appliance heats up and is rinsed. The display is activated.

“Set the language you require” appears.

- Press the [ √ ] arrow button. The field “English” has a light background. The language can be changed.
- With the [ > ] arrow button select the desired language.
- Press the [ ^ ] arrow button. The field “Language” has a light background.
- Select the “Water hardness” with the [ > ] arrow button.

**Note:**

It is important to set the water hardness correctly to enable the appliance to accurately indicate when the descaling program should be run. The preset water hardness is level 4. If a water softener is installed in the house, please set the water hardness to level 3. You can also check the water hardness by asking your local water supplier.

- Use the enclosed test strip to determine the water hardness. Briefly dip the test strip in water and check the result after one minute.

Level	Water hardness	
	German (°dH)	French (°fH)
1	1-7	1-13
2	8-14	14-25
3	15-21	26-38
4	22-30	39-54

- Press the [ √ ] arrow button. The field “4 (very hard)” has a light background. The water hardness can be changed.
- Set the water hardness determined with the [ < ] arrow button.

- Press the [ √ ] arrow button. “Complete set-up” appears.
- Press the [ √ ] arrow button. The settings are saved.

The appliance is ready to use when the drink symbols are shown on the display.

The integrated fan switches on each time a drink is dispensed and switches off again after a few minutes.

**Note:**

When the appliance is used for the first time after running a service program, or if it has not been operated for a long period, the first beverage will not have the full aroma.

When the fully automatic coffee machine is first used, a suitable thick and stable “crema” is only achieved after the first few cups have been dispensed.

**Switch off appliance**

- Press the [ ON I OFF ] button. The appliance rinses and switches to energy saving mode.

**Exception:** If only hot water is dispensed, the appliance switches off without rinsing.

- To switch the appliance off completely, open the appliance door and set the power switch to [ O ].

**NOTICE:**

Do not press the power switch while the appliance is in use.

**Note:**

The factory settings of the fully automatic coffee machine are programmed for optimal performance. The appliance switches automatically to the energy saving mode after a specified time and rinses (duration can be set, see “Switch off after” in the section “Menu”).

**Note:**

The appliance is equipped with a sensor. If there is a milk container, this will be correspondingly shown on the display when switching to the energy saving mode. If there is milk in the container, please store in the fridge.

## Display

### Display

The display shows the drinks, settings and setting options, as well as messages about the appliance's operating status.

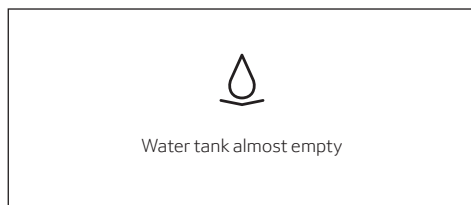
### Examples:

#### Drink selection









### Information

Information disappears after pressing the button or after a short time.



The information remains, however at the top of the display in the form of a small symbol.

-  Bean container almost empty
-  Water tank almost empty
-  Replace water filter
-  Cleaning program necessary
-  Descaling program necessary
-  Clean & Descale program necessary

### Prompts to take action



### Note:

If the action required was carried out, e.g. filling the water tank, the corresponding message and symbol will disappear.

## Preparing drinks

This fully automatic coffee machine can be operated using coffee beans or ground coffee (but not instant coffee).

If using coffee beans, they will be freshly ground for each brewing. For optimum quality, store the beans in a cool place in sealed containers.

### Note:

Cups should be prewarmed, e.g. with hot water. This applies particularly to small thick-walled espresso cups.

### NOTICE:

Fill the water tank with fresh, uncarbonated, cold water every day. The tank should always contain sufficient water for operating the appliance.

### Note:

For some settings, coffee is prepared in two stages (see the section "Aroma Double Shot" and "Two cups at once"). Please wait until the process is completely finished.

### Beverage selection

Press the [ < ] or [ > ] arrow button to select different drinks:

The symbol for the selected drink will appear in the middle. The name of the drink and the values currently set, e.g. for the coffee strength and volume are shown in lower row.



**The following drinks can be selected:**

- Ristretto
- Espresso
- Espresso Macchiato
- Coffee
- Cappuccino
- Latte Macchiato
- Caffe Latte
- Milk froth
- Warm milk
- Hot water

The drink selected can be directly prepared with the pre-set values or first adjusted to individual taste.

**Drink adjustment**

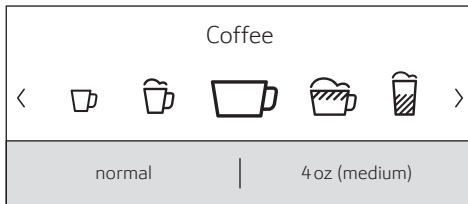
By pressing the [∨] arrow button, different fields will appear for adjustment depending on the drink.

The field where the value can be changed has a light background.

**An example:**

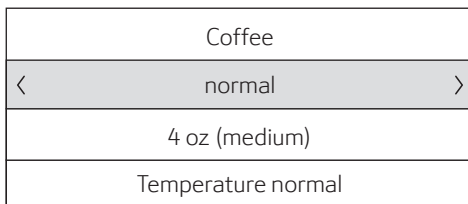
The values for a cup of coffee can be changed as follows:

- Select "Coffee" with the [ < ] or [ > ] arrow button.



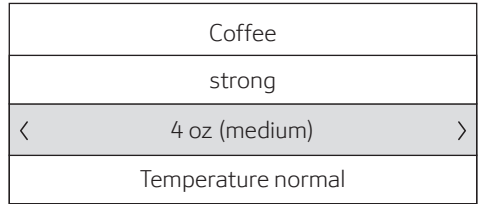
- Press the [∨] arrow button.

The fields containing the preset values appear. The active field, e.g. "mild" for the coffee strength has a light background.



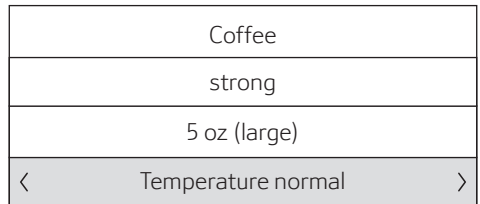
- Set the desired coffee strength, e.g. "strong" with the [ < ] or [ > ] arrow button.

- Press the [∨] arrow button.

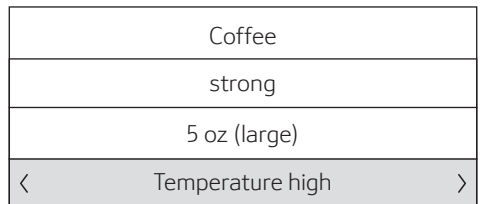


- Set the desired amount of coffee, e.g. "5 oz (large)" with the [ < ] or [ > ] arrow button.

- Press the [∨] arrow button.



- Set the desired temperature, e.g. "Temperature high" with the [ < ] or [ > ] arrow button.



- To go back to the drinks menu either press the [∧] arrow button or dispense a drink with [ START | STOP ]. The settings are saved.

**Note:**

There are different setting options depending on the type of drink. For coffee drinks, for example, the strength, temperature and quantity can be set; for milk, only the volume.

**The following settings are possible:**

**Coffee strength**

- mild
- normal
- strong
- very strong
- DoubleShot
- DoubleShot +
- DoubleShot ++

**Note:**

**Aroma Double Shot**

The longer coffee is brewed, the more bitter substances and undesirable aromas are released. This has a negative effect on the taste and makes the coffee less easily digested. For extra strong coffee, the appliance has therefore a special Aroma Double Shot function. When half the quantity has been prepared, it grinds and brews fresh coffee beans so that only the pleasant, aromatic scents are released.

**Note:**

When the 12 oz (360 ml) or 16 oz (480 ml) volume is selected, the Aroma Double Shot function is not operable.

**Note:**

The Aroma Double Shot function is not available for Ristretto, Espresso Macchiato, and when ground coffee is used.

**Note:**

The volume differs depending on the type of drink and can be set in "oz" or "ml" increments. The factory setting is in "oz" and can be converted to "ml", see chapter "Menu - Volume units".

**Volume**

The volume differs depending on the type of drink and can be set in "oz" or "ml" increments. The factory setting is in "oz" and can be converted to "ml", see chapter "Menu - Volume units".

**Note:**

The volume dispensed can fluctuate depending on the quality of the milk.

**Note:**

If no controls are activated for approx. 30 seconds, the appliance will automatically exit the settings mode. The settings made will be automatically stored.

**Drinks temperature**

Values for coffee drinks:

- Temperature normal
- Temperature high
- Temperature very high

Values for hot water:

The factory setting is in "°F" and can be converted to "°C", see chapter "Menu - Temperature format".

- 160° F (70 °C) White tea
- 180° F (80 °C) Green tea
- 200° F (90 °C) Black tea
- Max Fruit tea

**Note:**

If no controls are activated for approx. 30 seconds, the appliance will automatically exit the settings mode. The settings made will be automatically stored.

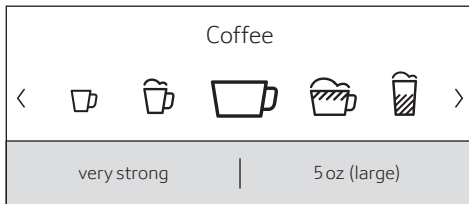
---

## Preparation using coffee beans

The appliance must be ready for use.

- Place a cup underneath the beverage outlet.
- Select "Ristretto", "Espresso" or "Coffee" with the [ < ] or [ > ] arrow button.

The display shows the selected drink along with the preset values for the strength of the coffee and the amount for this drink.



**Note:**

The settings can be changed as described in the section "Drink adjustment".



- Press [ START | STOP ] to start dispensing.

The coffee is brewed and then dispensed into the cup.

Press [ START | STOP ] again to prematurely halt dispensing.

## Preparation using milk

This fully automatic coffee machine has an integrated beverage outlet. This can be used to prepare coffee drinks with milk or milk froth and warm milk.



### CAUTION

#### Risk of burns!

The beverage outlet gets very hot. After use, always let it cool down before you touch it.

#### Milk container

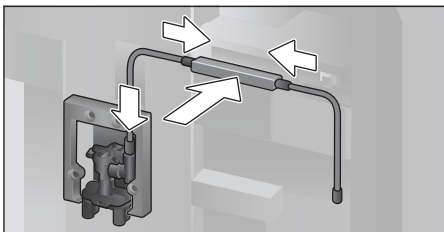
The milk container has been designed especially for use together with this fully automatic coffee machine. It is intended solely for use in the household and for storing milk in the refrigerator.

#### NOTICE:

Remove cups or glasses before opening the door to prevent them from falling.

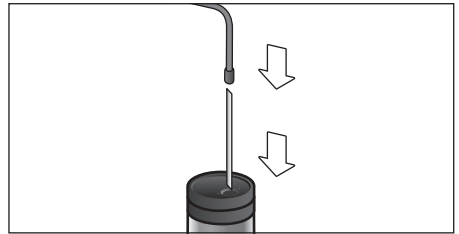
Connecting the milk container or a milk carton:

- Open the appliance door.
- Remove the cover of the beverage outlet towards the front.
- Connect and fix the milk tubes and connecting elements as illustrated.



- Attach the cover firmly from the front on to the beverage outlet.

- Attach the suction pipe and insert into the milk container.



- Close the appliance door.

#### Note:

Dried milk residues are difficult to remove, therefore **always** clean immediately after use (see the section “Cleaning the milk system”).

#### Coffee drinks with milk

- Place a cup or glass underneath the beverage outlet.
- Select “Espresso Macchiato”, “Cappuccino”, “Latte Macchiato” or “Caffe Latte” with the [ < ] or [ > ] arrow button.

The display shows the selected drink along with the preset values for the strength of the coffee and the amount for this drink.

#### Note:

The settings can be changed as described in the section “Drink adjustment”.

- Press [ START | STOP ] to start dispensing.

The milk is dispensed into the cup or glass first. Then the coffee is brewed and runs into the cup or glass.

Press button [ START | STOP ] again to stop the current step of the process prematurely.

#### Milk froth or warm milk

- Place a cup or glass underneath the beverage outlet.
- Select “Milk froth” or “Warm milk” with the [ < ] or [ > ] arrow button.

#### Note:

The settings can be changed as described in the section “Drink adjustment”.

- Press [ START | STOP ] to start dispensing.

Milk froth or warm milk is dispensed from the beverage outlet.

Press button [ **START | STOP** ] again to stop the current step of the process prematurely.

---

## Preparation using ground coffee

### Note:

When using ground coffee, the setting for the strength of the coffee, dispensing two cups at once and dispensing larger volumes (12 oz/360 ml or 16 oz/480 ml) is not operable. If the message “Beverage quantity not possible with ground coffee” appears, please select a volume smaller than 12 oz/360 ml.

### NOTICE:

Remove cups or glasses before opening the door to prevent them from falling.

The appliance must be ready for use.

- Open the appliance door.
- Remove the ground coffee drawer.  
The removable drawer must be dry.
- Put in coffee grounds (maximum 2 level measuring spoons); do not press firmly.

### NOTICE:

Do not use whole beans or instant coffee.

- Replace the ground coffee drawer.
- Close the appliance door. The display shows “Ground coffee” instead of coffee strength.

### Note:

If coffee is not dispensed within 90 seconds, the brewing chamber empties automatically to avoid an overflow. The appliance is then rinsed.

- Place a cup underneath the beverage outlet.
- Select a coffee drink or a coffee drink with milk with the [ < ] or [ > ] arrow button.

The display shows the selected drink along with the preset values for this drink.

### Note:

The settings can be changed as described in the section “Drink adjustment”.

### Note:

For coffee drinks with milk, please observe the instructions in the section “Preparation using milk”.

- Press [ **START | STOP** ] to start dispensing.

The coffee is brewed and then dispensed into the cup. When selecting coffee drinks with milk, the milk is first dispensed and then the coffee brewed.

### Note:

For another drink with ground coffee, repeat the procedure.

---

## Dispensing hot water



### CAUTION

#### Risk of burns!

The beverage outlet gets very hot. After use, always let it cool down before you touch it.

The appliance must be ready for use.

- Remove the milk tube from the milk container.
- Remove any milk or coffee residue from the outlet.
- Place a cup or glass underneath the beverage outlet.
- Select “Hot water” with the [ < ] or [ > ] arrow button.

### Note:

The settings can be changed as described in the section “Drink adjustment”.

- Press [ **START | STOP** ] to start dispensing.
- The message appears “Milk tube removed from milk container?”.
- If still connected, remove the milk tube and press the [ ✓ ] arrow button.

Hot water flows out of the beverage outlet.

Press [ **START | STOP** ] again to prematurely halt the dispensing process.

## Personalized drinks

Press [ FAVORITES ] to open the selection for personalized drinks.

Up to 8 storage spaces can be used. Save your favourite drinks that are frequently dispensed here with all their settings.

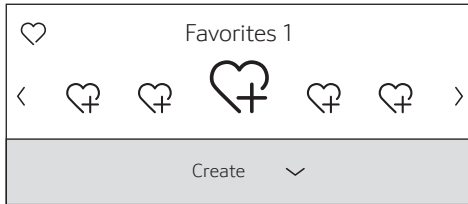
### Note:

Press [ FAVORITES ] to exit the menu without saving at any time.

### Entering or changing drinks

- Press [ FAVORITES ].

The selection of memory locations appears.



- Use the [ < ] or [ > ] arrow button to select an empty memory location ☹ for a new entry, change an occupied memory location, or to delete a favourite drink.
- Select “Create” at an empty memory location or “Change” at an occupied memory location.
- Press the [ ✓ ] arrow button.

### Note:

If “Delete” is selected, the settings for the memory location are deleted and it is again empty.

The menu for adjusting the drinks opens. The last drink dispensed is shown with the last settings selected.

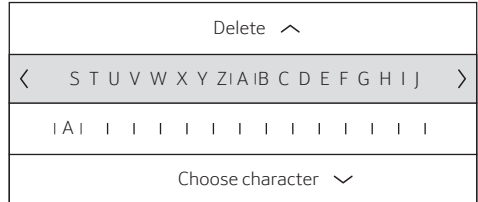
- If you do not wish to save last drink dispensed, select another drink with the [ < ] or [ > ] arrow button.
- Select each setting to be changed with the [ ✓ ] or [ ^ ] arrow button. Adjust the values to your own wishes with the [ < ] or [ > ] arrow button.

Different setting options appear depending on the drink selected.

### Note:

For milk drinks, the mixing ratio of coffee and milk can be set.

- The settings can be stored under an individual name. Select “Save name”. The display for entering the name opens.



- With [ ^ ] exit the entry without any change. The drink selection menu appears.
  - Select a letter or a symbol in the upper row with the [ < ] or [ > ] arrow button.
  - Press [ ✓ ] to confirm the letter selected. To delete select [ < ] and press [ ✓ ].
  - Select other letters or symbols and confirm.
  - Press [ ^ ] to accept the entry. The selection menu opens.
  - Press [ FAVORITES ] to exit the menu.
- Select a personalized drink and dispense**  
Press [ FAVORITES ]. The selection of memory locations opens.
- Select the desired memory location with the [ < ] or [ > ] arrow button.
  - Place a cup or glass underneath the beverage outlet.
  - Press [ START | STOP ] to start dispensing.

## Two cups at once

Press [ DOUBLE ] to prepare two cups of the selected drink simultaneously. The setting is shown by a second cup symbol and as text, e.g. “2x Espresso”.

- Select the desired drink with the [ < ] or [ > ] arrow button.
- Press [ DOUBLE ].
- Place two cups left and right underneath the beverage outlet.
- Press [ START | STOP ] to start dispensing.

The selected drink is prepared and then dispensed into both cups.

**Note:**

The drink is prepared in two stages (two grinding operations). Please wait until the process is completely finished, to remove the cup.

**Note:**

When the 12 oz (360 ml) or 16 oz (480 ml) volume is selected, it is not possible to dispense two cups at once.

**Note:**

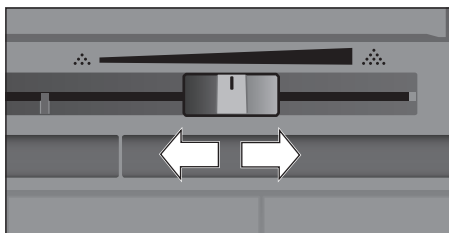
Two cups at once cannot be dispensed for the settings “Aroma Double Shot” or “ground coffee”.

---

## Adjusting the grind setting

This fully automatic coffee machine has an adjustable grinding unit. This enables the grinding level of the coffee to be individually changed.

- Open the appliance door.
- Slide the regulator to select the grinding degree setting between finely ground coffee ☼ and coarsely ground coffee ☼.



- Close the appliance door.

**Note:**

For dark roast coffee beans, choose a finer grind, for lighter beans a coarser grind.

**Note:**

Make only small changes to the grinding degree setting.

**Note:**

The new setting will not become apparent until after the second cup of coffee.

**Note:**

If the display shows the message “Select a coarser degree of grinding”, this means that the beans are being ground too finely. Adjust the grinding level to a coarser setting.

---

## Childproof lock

The appliance can be locked to protect children against scalding and burns.

- Press and hold [ **SETTINGS** ] for at least 4 seconds. “Panel lock activated” briefly appears on the display.

No further operation is now possible; only [ **ON | OFF** ] can be pressed.

- To deactivate the child lock, press and hold [ **SETTINGS** ] for at least 4 seconds. “Panel lock deactivated” briefly appears on the display.

## Menu

The menu is used for changing individual settings, accessing information and launching processes.

- Press [ **SETTINGS** ] to open the menu. The different setting options will appear.

### Navigating through the menu:

The various menu points, e.g. "Language" can be selected with the [ < ] or [ > ] button. The respective setting, e.g. "English" is displayed with [ √ ] and changed with [ < ] or [ > ]. Press [ ^ ] to exit the respective setting again.

Language	
Set the language you require	
<	English >

### For example:

Set the appliance at 15 minutes to switch off automatically:

- Press [ **SETTINGS** ]. The menu opens.
- Select "Switch off after" with the [ < ] or [ > ] arrow button.
- Press the [ √ ] arrow button.
- Select "0h 15min" with the [ < ] or [ > ] arrow button.
- Press [ **SETTINGS** ]. "Save changes?" appears.
- Press the [ √ ] arrow button. The setting is saved.

The drink selection appears on the display.

### Note:

Press [ **SETTINGS** ] to exit the menu at any time. If no entry is made within approx. 30 seconds, the menu closes automatically and the settings are not saved.

## The following settings can be made:

### Language

Set the desired language to show the display texts.

### Water hardness

Set this to the local water hardness.

Level "1 (soft)" to "4 (very hard)" can be selected. The preset water hardness is "4 (very hard)".

### Note:

It is important to set the water hardness correctly to enable the appliance to accurately indicate when the descaling program should be run.

You can check the water hardness using the enclosed test strip or by asking your local water supplier. If a water softening system is installed in the house, please select the "Softening device" setting.

### Water filter

If a water filter is inserted, renewed or removed, the setting "Activate", "Replace" or "Remove" must be made in the menu.

### Note:

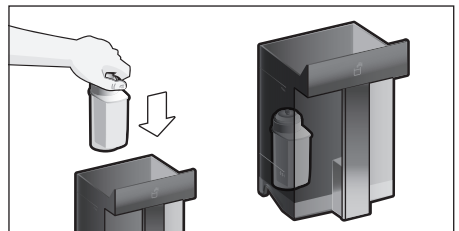
A water filter lowers limescale deposits, reduces impurities in water and improves the coffee taste.

Water filters are available from retail outlets or from customer service (see the section "Accessories").

Inserting or renewing a water filter:

A new water filter must be rinsed before it can be used.

- Select either "Activate" or "Replace" with the [ < ] or [ > ] arrow button.
- Press the water filter firmly into the opening of the water tank.



- Fill the water tank with cool water up to the “max” mark.
- Remove the milk tube from the milk container and close the door.

**NOTICE:**

Do not jam the tube when closing the door.

- Place a container with a capacity of 0.5 liter under the outlet .
- Press [ START | STOP ].

Water will now flow through the filter to rinse it.

- Then empty the container.
- The appliance is ready for use again.

**Note:**

Rinsing the filter simultaneously activates the setting for the change filter display.

The filter is no longer effective when the “Replace water filter” display appears, or at the latest after two months. It needs to be replaced for reasons of sanitation and to prevent a build-up of limescale (which could damage the appliance).

- If a new filter is not inserted, select the setting “Remove” and press button [ START | STOP ].

The message “Remove filter, reinsert water tank, close door” appears.

**Note:**

If the appliance has not been used for a prolonged period (for example, while you are on vacation), the existing filter should be rinsed before the first time the appliance is used again. To do this, simply dispense a cup of hot water.

Detailed information about the water filter can be found in the manual supplied with the filter.

Temperature format

Setting option in “°F” or “°C”.

Volume units

Setting option in “oz” or “ml”.

Switch off after

To set how long the appliance should wait after the last drink was prepared before it automatically rinses and switches itself off.

You can specify values from 15 minutes to 8 hours. The factory setting is 30 minutes.

Illumination

Setting the illumination of the beverage outlet. “On”, “When in use” or “Off” can be selected.

Brightness illumination

Setting the illumination lightness of the beverage outlet. “Level 1” to “Level 10” can be selected.

Brightness display

Setting the illumination lightness of display.

Key press sound

Switch the signal tones on or off.

Clock display

Display option for time and date “Off” or “Digital” (on). The settings for this can be changed in the next menu options.

**Note:**

If the appliance is switched off at the power switch or there is a power failure, the settings for the time will be lost.

Time of day

Setting for the current time.

Clock format

Setting option in “12hr” (American mode) or “24hr” (European mode)

**Note:**

No difference between am and pm.

Transport protection

Service program to prevent frost damage during transportation and storage. This program completely empties the appliance.

- Select “Start” to begin running the program.
- Empty the water tank and reinsert.
- If available remove the milk container and close the door.

The appliance automatically empties all its pipes.

- Empty the drip tray and re-insert.

## Beverage info

Display shows how many drinks have been prepared since its initial use.

- Select “next” to show the information.

## Factory settings

Resets your own settings to the condition when delivered.

- Select “reset” with the [ < ] or [ > ] arrow button. The message “Are you sure?” appears.
- Select either “reset” to confirm or “cancel” to interrupt.

## Care and daily cleaning



### WARNING

#### Risk of electric shock!

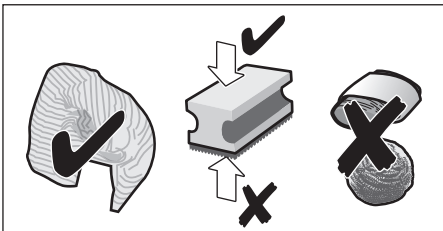
Never immerse the appliance in water.  
Do not steam-clean the appliance.



### WARNING

Never use harsh chemicals to clean your coffeemaker. Some chloride-containing cleaning products can damage your appliance and may present health hazards. Some chemicals can leave a toxic residue. Use normal dish detergent and water.

- Wipe the outside of the appliance with a soft, damp cloth.
- Use a very mild cleaning agent.
- Clean the control panel and display using a micro-fibre cloth.
- Do not use any cleaning agents containing alcohol or spirits.
- Do not use abrasive cloths or cleaning agents.



- Always remove any limescale, residues of coffee or milk, cleaning or descaling solution immediately. It is possible for corrosion to form underneath such deposits.

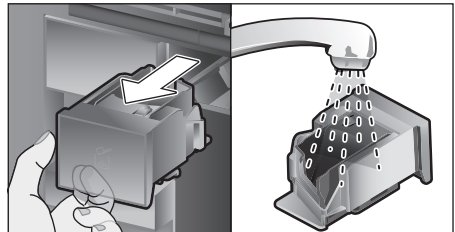
#### Note:

New sponge cloths may contain salts. Salts can cause rust film on stainless steel and must therefore be washed out thoroughly before use.

- Open the door and pull the drip tray out forward.
- Remove drip tray cover and coffee grounds container.
- Empty, clean and dry individual parts.

#### NOTICE:

The drip tray and coffee grounds container should be emptied and cleaned every day in order to prevent deposits. Remove the ground coffee drawer, clean under running water and dry well.



- Wipe and dry the inside of the appliance (support, drip tray and the ground coffee drawer) and collecting tray.
- Replace the dried parts, e.g. the ground coffee drawer.

#### NOTICE:



**Do not put the following parts in the dishwasher:**

Accessory drawer, water tank, lid of the water tank, beverage outlet cover, bean container, lid of the bean container, metal connecting element, ground coffee drawer, protective cover of the brewing unit and the milk container.



**The following parts may be cleaned in the dishwasher:**

Drip plate, collecting tray, drip tray, drip tray cover, coffee grounds container, milk tubes, suction pipes, individual parts of the beverage outlet, measuring spoon and individual parts of the milk container lid.

**Note:**

If the appliance is cold when switched on, or if it is switched off after dispensing coffee, it rinses automatically. The system is therefore self-cleaning.

**NOTICE:**

If the appliance is not used for a lengthy period (e.g. while you are on vacation), clean the entire appliance thoroughly, including the milk system, the ground coffee drawer and the brewing unit before use.

**Cleaning the milk system**

The milk system is automatically cleaned with a short jet of steam directly after preparing a milk drink.

**Note:**

For particularly thorough cleaning, the milk system can be additionally rinsed with water (see the section “Rinsing the milk system”).

**NOTICE:**

Additionally clean the milk system manually every week and, if required, also more often (see the section “Cleaning the milk system manually”).



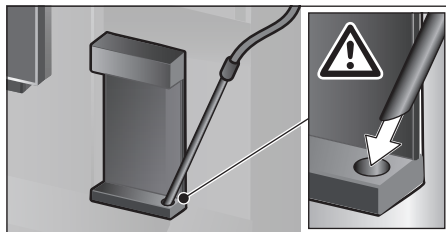
**CAUTION**

**Risk of burns!**

The beverage outlet gets very hot. After use, always let it cool down before you touch it.

**Rinsing the milk system**

- Press [ **CLEAN** ] and select [ < ] or [ > ] “Rinse milk system” with the arrow button.
- Press the [ ✓ ] arrow button. The program starts.
- Open door and remove suction pipe from the milk tube.
- Wipe the suction pipe and insert the end of the suction pipe into the hole on the coffee grounds container.



- Close the door. Be careful not to jam the milk tube.
- Place an empty glass underneath the beverage outlet.
- Press [ **START | STOP** ].
- The milk system is rinsed with water.
- Then empty the glass.
- Press [ **CLEAN** ] to exit the program.

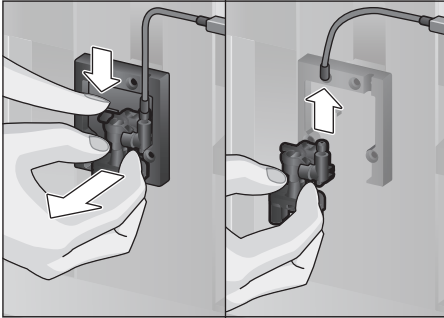
The milk system has finished rinsing. The appliance is ready for use again.



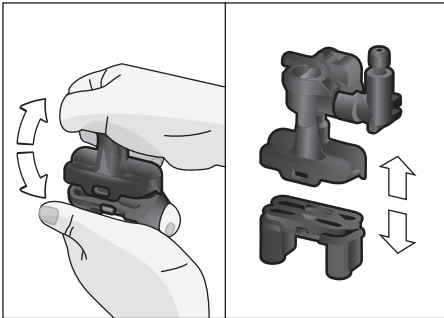
### Cleaning the milk system manually

Take the milk system apart to clean it:

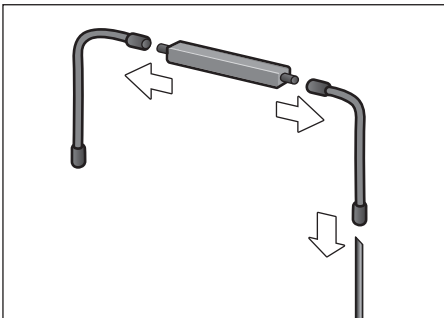
- Push the beverage outlet down completely and pull the cover forward to remove.
- Press the snap lever to the left of the beverage outlet downwards and pull the beverage outlet forward.



- Remove the milk tube. Dismantle the top and bottom sections of the beverage outlet.



- Separate the milk tubes, connecting element and suction pipe.

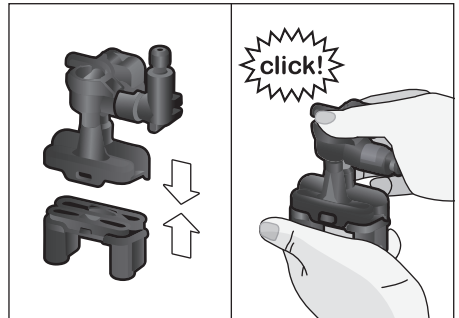


- Clean the individual parts with a detergent solution and a soft cloth.
- Rinse all parts with clean water and dry them.



All parts of the milk system can also be put in the dishwasher.

- Put the individual parts back together again (see also the quick reference guide).



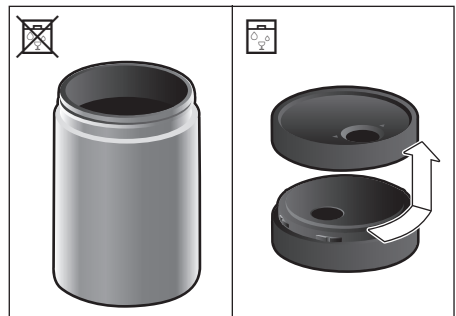
- Attach the beverage outlet directly from the front firmly to the three connections.
- Replace the cover.

### Cleaning the milk container

#### NOTICE:

Residue in the milk container can lead to the formation of mold.


For reasons of sanitation, the milk container should be cleaned regularly. Only the individual parts of the lid are suitable for being cleaned in the dishwasher. Clean the stainless steel milk container by hand with a mild detergent.

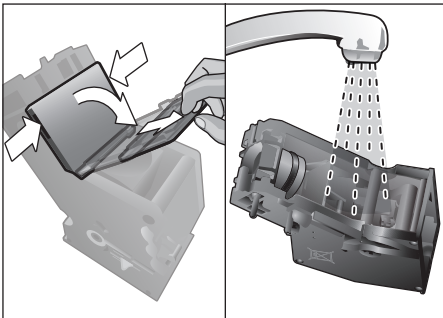


### Cleaning the brewing unit

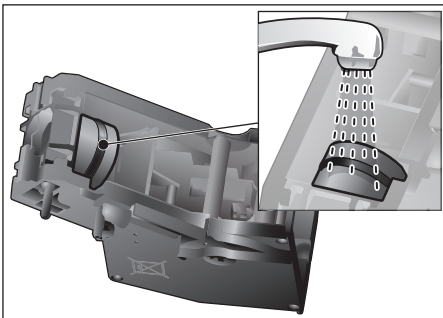
(see also the Quick reference guide)

In addition to the automatic cleaning program, the brewing unit should be removed regularly for cleaning.

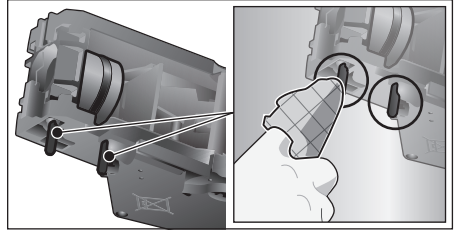
- Open the appliance door.
- Use the power switch [ O/I ] to switch off the appliance completely.
- Remove the protective cover of the brewing unit.
- Remove the coffee grounds container.
- Slide the red latch on the brewing unit all the way to the left .
- Press the eject lever right down. The brewing unit will be released.
- Take hold of the brewing unit by the recessed grips and carefully remove it.
- Remove the cover of the brewing unit and clean thoroughly under running water.




- Clean the strainer of the brewing unit thoroughly under the water jet.




- Thoroughly clean the connecting nozzles of the brewing unit.




 **Important:** Clean it without using washing-up liquid and do not put it in the dishwasher.

- Clean the inside of the appliance thoroughly with a moist cloth, removing any coffee residues.
- Leave the brewing unit and the inside of the appliance to dry.
- Place the cover back on the brewing unit.
- Push the brewing unit all the way into the appliance and press on the middle until it audibly clicks into place.

#### **NOTICE:**

The red latch must be right over at the left at  before replacing (see diagram E).

- Press the eject lever up and push the red latch over to the right to .
- Insert the coffee grounds container.
- Replace the protective cover.
- Close the appliance door.

## Service programs

(see also the Quick reference guide)

The following messages will appear on the display at certain intervals, either “Descaling program required!” or “Cleaning program required!” or “Clean & Descale program required!”.

The unit should immediately be cleaned or descaled using the appropriate program. Alternatively, the two processes Descale and Clean can be carried out together using the Clean & Descale function (see the section “Clean & Descale”). Failure to carry out the service program according to the instructions may damage the appliance.

### Note:

If the appliance is not descaled when it is supposed to be, the message “Descaling programme is overdue. Device will shortly be locked.” will appear. Immediately perform the descaling process in accordance with the instructions. If the appliance is locked, it can only be operated again once the descaling process has been carried out.

To display how many beverages can still be prepared before one of the service programs needs to be run, proceed as follows:

- Press [ **CLEAN** ].
- Select “Service info” with the [ < ] or [ > ] arrow button.
- Press [ ✓ ] to call up the information.

### NOTICE:

For each of the service programs, use descaling and cleaning agents as described in the instructions and observe the (relevant) safety information.

Never interrupt a service program.  
Never use vinegar, citric acid or any vinegar-based or citric acid-based agents.  
Never place descaling tablets or other descaling materials in the coffee drawer!  
Specially developed, suitable descaling and cleaning tablets are available from retail outlets or from customer services (see the section “Accessories”).



## CAUTION

Do not drink or come into contact with cleaning or descaling materials. Keep cleaning materials and descaling tablets out of the reach of children. They may be toxic.

### NOTICE:

Before starting each service program (Descale, Clean or Clean & Descale) remove the brewing unit, clean as instructed and replace it. Be careful not to jam the milk tube when closing the door.

After completion of each service program, wipe the appliance immediately with a soft, damp cloth to remove any residues from the descaling and cleaning solution. It is possible for corrosion to form underneath such deposits.

New sponge cloths may contain salts. Salts can cause rust film on stainless steel and must therefore be washed out thoroughly before use.

Clean the beverage outlet, milk tubes and connecting piece thoroughly.

### Descaling

Takes about 21 minutes.

- Press [ **CLEAN** ].
- Select “Descale” with the [ < ] or [ > ] arrow button.
- Press [ **START | STOP** ]. The display indicates the progress of the program.
- Empty the drip trays and replace.
- Remove the water filter (if there is one) and press [ **START | STOP** ].
- Pour lukewarm water into the empty water tank up to the “0.5 l” mark and then dissolve one Thermador descaling tablet 00311823 in it.

### Note:

If there is not enough descaling solution in the water tank, you will be asked to do the following. Refill using uncarbonated water and press [ **START | STOP** ] again.

- Remove the suction pipe from milk container, wipe it and insert the end of the suction pipe into the hole on the coffee grounds container.
- Close the appliance door.
- Place a container with a capacity of 17 oz under the beverage outlet.
- Press [ START I STOP ]. The descaling program will now run for about 19 minutes.
- Remove the container and press [ START I STOP ].
- Rinse the water tank and (if removed) replace the water filter.
- Fill the tank with fresh water up to the “max” indicator.
- Replace the water tank and close the door.
- Place the container underneath the beverage outlet again.
- Press [ START I STOP ]. The descaling program will now run for about 2 minutes and rinse the appliance.
- Remove the container, empty the drip trays, replace and close the appliance door.
- Press [ START I STOP ]. The appliance has finished descaling and is ready for use again.
- Press [ CLEAN ] to exit the program.

### Cleaning

Takes about 5 minutes.

- Press [ CLEAN ].
- Select “Clean” with the [ < ] or [ > ] arrow button.
- Press [ START I STOP ]. The display indicates the progress of the program.
- Clean the beverage outlet and replace, empty the drip trays and replace.
- Open the ground coffee drawer, drop in a cleaning tablet and close the coffee drawer.
- Close the appliance door.
- Place a container with a capacity of 17 oz under the beverage outlet.
- Press [ START I STOP ]. The cleaning program will now run for about 5 minutes.

- Remove the container, empty the drip trays, replace and close the appliance door.
- Press [ START I STOP ]. The appliance has finished cleaning and is ready for use again.
- Press [ CLEAN ] to exit the program.

### Clean & Descale

Takes about 26 minutes.

Clean & Descale combines the functions Descale and Clean. If both programs are due to be carried out close together, the fully automatic coffee machine will automatically suggest this service program.

- Press [ CLEAN ].
- Select “Clean & Descale” with the [ < ] or [ > ] arrow button.
- Press [ START I STOP ]. The display indicates the progress of the program.
- Clean the beverage outlet and replace, empty the drip trays and replace.
- Open the ground coffee drawer, drop in a cleaning tablet and close the coffee drawer again.
- Remove the water filter (if there is one) and press [ START I STOP ].
- Pour lukewarm water into the empty water tank up to the “0.5 l” mark and then dissolve one Thermador descaling tablet 00311823 in it.

### Note:

If there is not enough descaling solution in the water tank, you will be asked to do the following. Refill using uncarbonated water and press [ START I STOP ] again.

- Remove the suction pipe from milk container, wipe it and insert the end of the suction pipe into the hole on the coffee grounds container.
  - Close the appliance door.
  - Place a container with a capacity of 17 oz under the beverage outlet.
  - Press [ START I STOP ].
- The program will now run for about 19 minutes.
- Remove the container and press [ START I STOP ].

- Rinse the water tank and (if removed) replace the water filter.
- Fill the tank with fresh water up to the “max” indicator.
- Replace the water tank and close the door.
- Place the container underneath the beverage outlet again.
- Press [ START | STOP ].

The program will now run for about 7 minutes and rinse the appliance.

- Remove the container, empty the drip trays, replace and close the appliance door.
- Press [ START | STOP ]. The appliance is descaled, cleaned and ready for use again.
- Press [ CLEAN ] to exit the program.

### Special rinsing

#### **NOTICE:**

If any of the service programs are ever interrupted, for instance by a power failure, please proceed according to the information on the display:

- Rinse the water tank and refill it with fresh water up to the “max” mark.
- Press [ START | STOP ]. The program will now run for about 2 minutes and rinse the appliance.
- Empty the drip trays, replace and close the appliance door. The appliance is ready for use again.
- Press [ CLEAN ] to exit the program.

---

## Tips on energy saving

- Press [ ON | OFF ] to switch the appliance to “energy saving mode”. The appliance uses very little power when in “energy saving mode”, but monitors all safety-relevant functions so as to avoid damage.
- In the menu under “Switch off after”, set the automatic switch off period to 15 minutes.
- Reduce the brightness of the display and the illumination in the menu to save energy.

- If possible, do not interrupt the dispensing of coffee or milk froth. Stopping a process prematurely results in higher energy consumption and the drip tray fills up more quickly.
- Descale the appliance regularly to avoid a build-up of limescale. Limescale residues cause higher energy consumption.

---

## Frost protection

To prevent frost damage during transport and storage, completely empty the appliance beforehand (see the section “Menu – Transport protection”).

---

## Storing accessories

The fully automatic coffee machine has a special accessory drawer for storing the Quick reference guide and the accessories in the appliance.

- Put the measuring spoon and the water filter into the accessory drawer.
- Put the Quick Reference Guide into the special support at the front of the accessory drawer.
- The long suction pipe can be stored in the holder on the inside of the door (Figure D).
- The connecting element can be fixed to the magnetic holder above the ground coffee drawer.

---

## Accessories

The following accessories are available from customer service:

Accessories	Order number
	Customer service
Cleaning tablets	00311820
Descaling tablets	00311823
Water filter	12008246
Milk container with “FreshLock” lid	11005967
Restrictors for opening angle 92°	00636455

## Disposal



Please check with your local city on your regional disposal options.

All rights reserved.

## Simple troubleshooting

The following table provides solutions for problems that may arise as you use your Thermador machine. If you do not find a solution for your specific problem or the problem persists after troubleshooting, please contact 1-800-944-2904.

Problem	Cause	Solution
Strongly fluctuating coffee or milk froth quality (e.g. fluctuation in quantity or milk froth spraying).	Build-up of limescale in the appliance.	Descale the appliance according to the instructions, see the section "Service programs".
	The suction pipe is blocked.	Clean the suction pipe.
Drinks cannot be dispensed.	Beverage outlet or one of the 3 connections are blocked.	Clean the beverage outlet and the connections.
The drink runs out at the entire outlet during dispensing.	Lower part of the beverage outlet is missing.	Attach the lower part, see the section "Cleaning the milk system".
Too little milk froth, none at all, or the milk system is not taking in any milk.	Build-up of limescale in the appliance.	Descale the appliance according to the instructions, see the section "Service programs".
	Beverage outlet or one of the 3 connections are blocked.	Clean the beverage outlet and the connections.
	Milk not suitable for foaming.	Do not use milk that has already been boiled. Use cold milk with a fat content of at least 1.5%.
	Beverage outlet or the milk tubes are not correctly assembled.	Moisten the individual parts and put them together again.
	The suction pipe is blocked.	Clean the suction pipe.
The personally selected volume is not reached. Coffee dispensing slows to a trickle or stops completely.	Coffee is ground too finely. Preground coffee is too fine.	Adjust the grinding level to a coarser setting. Use a coarser ground coffee.
	Heavy build-up of limescale in the appliance.	Descale the appliance according to the instructions, see the section "Service programs".
	The brewing unit is soiled.	Clean brewing unit, see chapter "Cleaning the brewing unit".

<b>Problem</b>	<b>Cause</b>	<b>Solution</b>
Hot water milky or tastes of coffee.	Milk tube has not been removed.	Remove the milk tube from the milk container.
	Milk or coffee residue in the beverage outlet.	Clean the beverage outlet.
Coffee has no “crema”.	Unsuitable type of coffee.	Use a type of coffee with a higher proportion of robusta beans.
	The beans are no longer fresh.	Use fresh beans.
	The grinding level is not suitable for the beans.	Adjust the grinding unit to a finer setting.
Coffee is too “acidic”.	The grinding level is too coarse. Preground coffee is too coarse.	Adjust the grinding unit to a finer setting. Use a finer ground coffee.
	Unsuitable type of coffee.	Change the type of coffee.
Coffee is too “bitter”.	Coffee is ground too finely. Preground coffee is too fine.	Adjust the grinding level to a coarser setting. Use a coarser ground coffee.
	Unsuitable type of coffee.	Change the type of coffee.
Coffee tastes burnt.	The brewing temperature is too high.	Reduce the temperature, see the section “Drink adjustment”.
	Coffee is ground too finely. Preground coffee is too fine.	Adjust the grinding level to a coarser setting. Use a coarser ground coffee.
	Unsuitable type of coffee.	Change the type of coffee.
Coffee is too “weak”.	Coffee strength selected is too weak.	Raise the strength of the coffee, see the section “Drink adjustment”.
	Ground coffee jammed in the coffee drawer.	Remove the ground coffee drawer, clean and dry thoroughly.
Ground coffee sticks in the coffee drawer.	Ground coffee sticks together.	Do not press the ground coffee firmly into the coffee drawer.
	Coffee drawer is damp.	Remove the ground coffee drawer, clean and dry thoroughly.
The water filter does not stay in position in the water tank.	The water filter is not mounted correctly.	Firmly press the water filter straight down into the tank connection.
Bean container sticks when inserting.	There are beans in the housing.	Remove the beans.

<b>Problem</b>	<b>Cause</b>	<b>Solution</b>
The coffee grounds are not compact and are too wet.	The grinding setting is too fine or too coarse, or not enough ground coffee has been used.	Adjust the grinding unit to a coarser or finer setting, or use 2 level measuring spoons of ground coffee.
Grinding level adjustment is stiff.	Too many beans in the grinding unit.	Dispensing a drink from coffee beans. Only make any subsequent changes to the grinding level in small steps.
Brewing unit cannot be inserted.	Brewing unit is in the wrong position.	Insert the brewing unit according to the instructions, see the section "Cleaning the brewing unit".
	Brewing unit is locked.	Unlock the brewing unit, see the section "Cleaning the brewing unit".
Protective cover of the brewing unit cannot be properly attached.	Brewing unit is not locked.	Lock the brewing unit, see the section "Cleaning the brewing unit".
There is water under the drip tray.	This water is condensed.	Do not insert drip tray without cover.
Display shows "12:00"	Power failure or appliance switched off at power switch.	Re-enter values; do not switch the appliance off at the power switch or select the "Off" option in the Clock display menu.
Display shows "Milk container connected?" despite connected milk container.	Container is outside the range of the sensor.	Position the container at the right edge.
	Material e.g. milk carton is not recognised.	Confirm the display request with "yes" or use the enclosed milk container.
Display shows "Overvoltage or undervoltage"	Voltage too high or too low.	Contact electricity or grid provider. Have the power supply checked by an expert.
Display shows "Leave device to cool"	Appliance is too hot.	Switch off appliance for 30 minutes.
Display shows, for example: "Fault: E0510"	The appliance has a fault.	Proceed according to the display screen.
Display shows "Fill bean container" although the container is already full, or the grinder is not grinding any beans.	Beans are not falling into the grinding unit (beans too oily).	Gently tap the bean container. Possibly change the type of coffee. When the bean container is empty, wipe it with a dry cloth.



<b>Problem</b>	<b>Cause</b>	<b>Solution</b>
Display shows "Clean brewing unit"	Brewing unit is soiled.	Clean the brewing unit.
	Too much ground coffee in the brewing unit.	Clean the brewing unit. Do not place more than two level measuring spoons of ground coffee in the drawer.
	The mechanism of the brewing unit is stiff.	Clean the brewing unit, see the section "Care and daily cleaning".
Display shows "Refill with still water or remove filter "	Water tank wrongly inserted	Insert water tank correctly
	Carbonated water in the water tank.	Fill the water tank with fresh tap water.
	Float is stuck in the water tank.	Remove the tank and clean thoroughly.
	New water filter not rinsed according to instructions, or water filter used or defective.	Rinse the water filter according to the instructions and then switch on, or use a new water filter.
	Air in the water filter.	Dip the water filter into water until no more air bubbles escape, replace the filter.
Display shows "Empty drip trays" despite them being empty.	Drip tray is soiled and wet.	Clean and dry the drip tray thoroughly.
	Emptying is not detected when the appliance is switched off.	When the appliance is switched on, remove and re-insert the drip tray.
Display shows "Insert drip trays" even though drip tray in use.	Inside of appliance (tray holder) dirty.	Clean the inside.
	The coffee grounds container is not fully inserted.	Push the coffee grounds container all the way in.
Water dripped onto the inner floor of the appliance when the drip tray was removed.	Drip tray was removed too soon.	Wait a few seconds after the last drink was dispensed before removing the drip tray.
Display shows "Switch off with power switch and then back on after 30 sec!"	Appliance is too warm.	Leave the appliance to cool down.
	Dirty brewing unit.	Clean the brewing unit.

---

## Technical specifications

Power connection with transformer type 8001007072 (voltage – frequency)	120 V AC – 60 Hz
Heater wattage	1600 W
Maximum static pump pressure	19 bar
Maximum water tank capacity (without filter)	81.15 oz (2.4 l)
Maximum capacity of the coffee bean container	17.64 oz (500 g)
Length of power cable (Power socket – transformer)	39" (1 m)
Dimensions (appliance without transformer) H x B x D	17.91 x 23.46 x 14.76" (455 x 596 x 375 mm)
Weight, empty (appliance without transformer)	42-44 lb (19-20 kg)
Dimensions (only transformer) H x B x D	8.26 x 6.77 x 7.80" (210 x 172 x 198 mm)
Weight (only transformer)	27.55 lb (12.5 kg)
Type of grinding unit	Ceramic

# Warranty

## STATEMENT OF LIMITED PRODUCT WARRANTY

**What this Warranty Covers & Who it Applies to:** The limited warranty provided by BSH Home Appliances (“Thermador”) in this Statement of Limited Product Warranty applies only to the Thermador appliance sold to you, the first using purchaser, provided that the Product was purchased: (1) for your normal, household (non-commercial) use, and has in fact at all times only been used for normal household purposes; (2) new at retail (not a display, “as is”, or previously returned model), and not for resale, or commercial use; and (3) within the United States or Canada, and has at all times remained within the country of original purchase. The warranties stated herein apply only to the first purchaser of the Product and are not transferable.

Please make sure to return your registration card; while not necessary to effectuate warranty coverage, it is the best way for Thermador to notify you in the unlikely event of a safety notice or product recall.

**How Long the Warranty Lasts:** Thermador warrants that the Product is free from defects in materials and workmanship for a period of three hundred sixty-five days (365) days from the date of purchase. The foregoing timeline begins to run upon the date of purchase, and shall not be stalled, tolled, extended, or suspended, for any reason whatsoever. This Product is also warranted to be free from *cosmetic* defects in material and workmanship (such as scratches of stainless steel, paint/porcelain blemishes, chips, dents, or other damage to the finish) of the Product, for a period of thirty (30) days from the date of purchase or closing date for new construction. This *cosmetic* warranty excludes slight color variations due to inherent differences in painted and porcelain parts, as well as differences caused by kitchen lighting, product location, or other similar factors. This *cosmetic* warranty specifically excludes any display, floor, “As Is”, or “B” stock appliances.

**Repair/Replace as Your Exclusive Remedy:** During this warranty period, Thermador or one of its authorized service providers will repair your Product without charge to you (subject to certain limitations stated herein) if your Product proves to have been manufactured with a defect in materials or workmanship. If reasonable attempts to repair the Product have been made without success, then Thermador will replace your Product (upgraded models may be available to you, in Thermador’s sole discretion, for an additional charge). All removed parts and components shall become the property of Thermador at its sole option. All replaced and/or repaired parts shall assume the identity of the original part for purposes of this warranty and this warranty shall not be extended with respect to such parts. Thermador’s sole liability and responsibility hereunder is to repair manufacturer-defective Product only, using a Thermador-authorized service provider during normal business hours. For safety and property damage concerns, Thermador highly recommends that you do not attempt to repair the Product yourself, or use an un-authorized servicer; Thermador will have no responsibility or liability for repairs or work performed by a non-authorized servicer. If you choose to have someone other than an authorized service provider work on your Product, THIS WARRANTY WILL AUTOMATICALLY BECOME NULL AND VOID. Authorized service providers are those persons or companies that have been specially trained on Thermador products, and who possess, in Thermador’s opinion, a superior reputation for customer service and technical ability (note that they are independent entities and are not agents, partners, affiliates or representatives of Thermador). Notwithstanding the foregoing, Thermador will not incur any liability, or have responsibility, for the Product if it is located in a remote area (more than 100 miles from an authorized service provider) or is reasonably inaccessible, hazardous, threatening, or treacherous locale, surroundings, or environment; in any such event, if you request, Thermador would still pay for labor and parts and ship the parts to the nearest authorized service provider, but you would still be fully liable and responsible for any travel time or other special charges by the service company, assuming they agree to make the service call.

**Out of Warranty Product:** Thermador is under no obligation, at law or otherwise, to provide you with any concessions, including repairs, pro-rates, or Product replacement, once this warranty has expired.

**Warranty Exclusions:** The warranty coverage described herein excludes all defects or damage that are not the direct fault of Thermador, including without limitation, one or more of the following: (1) use of the Product in anything other than its normal, customary and intended manner (including without limitation, any form of commercial use, use or storage of an indoor product outdoors, use of the Product in conjunction with air or water-going vessels); (2) any party's willful misconduct, negligence, misuse, abuse, accidents, neglect, improper operation, failure to maintain, improper or negligent installation, tampering, failure to follow operating instructions, mishandling, unauthorized service (including self-performed "fixing" or exploration of the appliance's internal workings); (3) adjustment, alteration or modification of any kind; (4) a failure to comply with any applicable state, local, city, or county electrical, plumbing and/or building codes, regulations, or laws, including failure to install the product in strict conformity with local fire and building codes and regulations; (5) ordinary wear and tear, spills of food, liquid, grease accumulations, or other substances that accumulate on, in, or around the Product; and (6) any external, elemental and/or environmental forces and factors, including without limitation, rain, wind, sand, floods, fires, mud slides, freezing temperatures, excessive moisture or extended exposure to humidity, lightning, power surges, structural failures surrounding the appliance, and acts of God. In no event shall Thermador have any liability or responsibility whatsoever for damage to surrounding property, including cabinetry, floors, ceilings, and other structures or objects around the Product. Also excluded from this warranty are products on which the serial numbers have been altered, defaced, or removed; service visits to teach you how to use the Product, or visits where there is nothing wrong with the Product; correction of installation problems (you are solely responsible for any structure and setting for the Product, including all electrical, plumbing or other connecting facilities, for proper foundation/flooring, and for any alterations including without limitation cabinetry, walls, floors, shelving, etc.); and resetting of breakers or fuses.

**TO THE EXTENT ALLOWED BY LAW, THIS WARRANTY SETS OUT YOUR EXCLUSIVE REMEDIES WITH RESPECT TO PRODUCT, WHETHER THE CLAIM ARISES IN CONTRACT OR TORT (INCLUDING STRICT LIABILITY, OR NEGLIGENCE) OR OTHERWISE. THIS WARRANTY IS IN LIEU OF ALL OTHER WARRANTIES, WHETHER EXPRESS OR IMPLIED. ANY WARRANTY IMPLIED BY LAW, WHETHER FOR MERCHANTABILITY OR FITNESS FOR A PARTICULAR PURPOSE, OR OTHERWISE, SHALL BE EFFECTIVE ONLY FOR THE PERIOD THAT THIS EXPRESS LIMITED WARRANTY IS EFFECTIVE. IN NO EVENT WILL THE MANUFACTURER BE LIABLE FOR CONSEQUENTIAL, SPECIAL, INCIDENTAL, INDIRECT, "BUSINESS LOSS", AND/OR PUNITIVE DAMAGES, LOSSES, OR EXPENSES, INCLUDING WITHOUT LIMITATION TIME AWAY FROM WORK, HOTELS AND/OR RESTAURANT MEALS, REMODELLING EXPENSES IN EXCESS OF DIRECT DAMAGES WHICH ARE DEFINITELY CAUSED EXCLUSIVELY BY Thermador, OR OTHERWISE. SOME STATES DO NOT ALLOW THE EXCLUSION OR LIMITATION OF INCIDENTAL OR CONSEQUENTIAL DAMAGES, AND SOME STATES DO NOT ALLOW LIMITATIONS ON HOW LONG IMPLIED WARRANTY LASTS, SO THE ABOVE LIMITATIONS MAY NOT APPLY TO YOU. THIS WARRANTY GIVES YOU SPECIFIC LEGAL RIGHTS, AND YOU MAY ALSO HAVE OTHER RIGHTS, WHICH VARY FROM STATE TO STATE.** No attempt to alter, modify or amend this warranty shall be effective unless authorized in writing by an officer of BSH.

**How to Obtain Warranty Service:** To obtain warranty service for your product you should contact the hotline.

Product manufactured by  
**BSH Home Appliances Corporation**  
1901 Main Street, Suite 600  
Irvine, CA 92614

## Sommaire

Consignes de sécurité importantes .....	37
Vue d'ensemble .....	41
Éléments de commande .....	42
Mise en service .....	43
Écran .....	44
Préparation de boissons .....	45
Préparation avec du café en grains .....	47
Préparation de boissons à base de lait ....	48
Préparation avec du café moulu .....	49
Préparation d'eau chaude .....	50
Boissons personnalisées .....	50
Deux tasses à la fois .....	51
Réglage du degré de mouture .....	51
Sécurité enfants .....	52
Menu .....	52
Entretien et nettoyage quotidiens .....	55
Programmes de maintenance .....	59
Conseils pour économiser l'énergie .....	62
Protection contre le gel .....	62
Rangement des accessoires .....	62
Accessoires .....	62
Mise au rebut .....	62
Dépannage de problèmes simples .....	63
Données techniques .....	67
Garantie .....	68

Produit fabriqué par  
 BSH Home Appliances Corporation  
 1901 Main Street, Suite 600  
 Irvine, CA 92614

Vous avez encore des questions ?  
 1-800-944-2904

**[www.thermador.com](http://www.thermador.com)**

N'hésitez pas à nous contacter, nous nous  
 ferons un plaisir de vous servir!

### Comment utiliser ce mode d'emploi

Les pages de couverture du présent mode d'emploi peuvent être dépliées. Vous y trouverez les illustrations de la machine avec les numéros auxquels il est fait constamment référence dans ce mode d'emploi. Exemple : unité de percolation (15)

Les symboles et les messages affichés sur l'écran sont également représentés de manière distincte dans ce mode d'emploi. Vous pourrez ainsi repérer plus facilement les messages et les symboles affichés ou apposés sur l'appareil.

Messages apparaissant à l'écran :

« Latte Macchiato »



Touches et éléments de commande :

[ START | STOP ]



Il est joint à la machine une notice succincte où vous retrouverez rapidement les fonctions essentielles. Vous pouvez la ranger dans le tiroir à accessoires de la machine.

**Faites tout particulièrement attention aux consignes de sécurité importantes dans la rubrique « Consignes de sécurité importantes ».**

### Indications de sécurité

#### **AVERTISSEMENT**

Ceci indique des risques de blessures graves ou mortelles en cas de non-respect de cette mise en garde.

#### **MISE EN GARDE**

Ceci indique des risques de blessures mineures ou de gravité moyenne en cas de non-respect de cette mise en garde.

#### **CONSIGNE :**

ceci indique un risque d'endommagement de l'appareil ou de biens en cas de non-respect de ces consignes.

#### **Remarque :**

ceci vous signale des informations et/ou des indications importantes.

# CONSIGNES DE SÉCURITÉ IMPORTANTES LIRE ET CONSERVER CES INSTRUCTIONS

---

**Quand vous utilisez des appareils électriques, observez les consignes de sécurité de base, y compris ce qui suit :**

1. Veuillez lire et suivre attentivement les consignes d'utilisation et les conserver pour des besoins ultérieurs. Si l'unité est cédée à quelqu'un d'autre, assurez-vous que ce mode d'emploi soit inclut avec la machine.
2. Ne pas toucher les surfaces chaudes. Utiliser les poignées.
3. S'assurer que toutes les pièces sont correctement assemblées.
4. Pour éviter les risques d'incendie, de choc électrique et de blessures, ne pas immerger le cordon d'alimentation, les prises ou le corps de l'appareil dans quelque liquide que ce soit, y compris l'eau. Nettoyage et entretien
5. Une surveillance renforcée des enfants est impérative quand l'appareil est utilisé à proximité des de ces derniers.
6. Débrancher l'appareil lorsqu'il n'est pas utilisé et avant de le nettoyer. Laisser l'appareil refroidir avant de mettre ou de retirer des pièces et avant de le nettoyer.
7. N'utilisez pas l'appareil avec une prise ou un cordon endommagé, ou encore si l'appareil ne fonctionne pas correctement ou a été endommagé de quelque façon. Contactez le centre de service autorisé le plus proche pour un examen, une réparation ou un réglage.
8. L'utilisation d'accessoires complémentaires non autorisés par le fabricant peut provoquer des risques d'incendie, de choc électrique ou de blessures.
9. Ne pas utiliser à l'extérieur ou dans une zone humide.
10. Ne pas laisser le cordon d'alimentation pendre sur le rebord d'une table ou d'un comptoir ou le laisser toucher une surface chaude.
11. Ne pas placer l'unité ou des pièces sur ou à proximité d'une surface de cuisson ou d'un four.
12. Raccordez toujours la fiche à l'appareil en premier avant de le raccorder à la prise murale. Pour débrancher l'appareil, mettez toutes les commandes sur la position « arrêt » et retirez ensuite la fiche de la prise murale.
13. N'utilisez pas cet appareil pour un usage autre que celui auquel il est destiné.
14. Conservez ces instructions.

# **CONSIGNES DE SÉCURITÉ IMPORTANTES** **LIRE ET CONSERVER CES INSTRUCTIONS**

## **AVERTISSEMENT**

### **Avertissements relatifs à la Proposition 65 de l'État de la Californie :**

Ce produit contient des produits chimiques reconnus par l'État de la Californie comme causant le cancer, des malformations congénitales ou autre effet nocif sur la reproduction.

## **!** **IMPORTANT**

### **Cet appareil est destiné à un usage domestique et non commercial.**

Utiliser l'appareil à l'intérieur et à température ambiante uniquement. Ne pas utiliser à plus de 6560 pieds / 2000 mètres au-dessus du niveau de la mer.

Protégez votre machine à café du gel afin de le conserver en bon état. Surveiller les enfants afin de s'assurer qu'ils ne jouent pas avec la machine.

## **AVERTISSEMENT**

### **Pour réduire le risque de choc électrique :**

#### **Installation**

Ne brancher et n'utiliser l'appareil que conformément aux données indiquées sur la plaque signalétique.

Utiliser l'appareil uniquement avec le transformateur de type 8001007072.

Ne pas raccorder ni utiliser l'appareil via une prise à minuterie ou commandée à distance.

L'appareil ne doit pas être utilisé avec une rallonge électrique.

Utiliser l'appareil uniquement si son cordon d'alimentation et l'appareil lui-même ne montrent aucun signe de détérioration.

En cas de défaut, débrancher immédiatement la fiche secteur ou couper la tension du réseau.

Ne jamais plonger la machine dans l'eau.

#### **Mise à la terre**

L'appareil peut être raccordé à une alimentation électrique à courant alternatif via une prise correctement mise à la terre.



# CONSIGNES DE SÉCURITÉ IMPORTANTES LIRE ET CONSERVER CES INSTRUCTIONS

## AVERTISSEMENT

### Réparations

Afin d'éviter tous les risques, l'appareil ne doit être réparé que par notre service après-vente.

Si le cordon d'alimentation secteur de cet appareil est endommagé, il doit être remplacé par un câble de raccordement spécifique qui est disponible auprès de notre service après-vente.

## MISE EN GARDE

**Pour éviter tout risque d'ébouillantage :** veuillez noter que les boissons sont très chaudes lorsqu'elles viennent d'être servies. Ne pas utiliser d'eau adoucie chimiquement !

**Pour éviter tout risque d'étouffement :** ne jamais laisser les enfants jouer avec le matériel d'emballage. Conservez les pièces de petite taille dans un endroit sûr, car elles peuvent être avalées facilement.

**Pour éviter tout risque de blessure :** Conservez les comprimés de détartrage hors de la portée des enfants. Gardez l'appareil et le câble d'alimentation hors de la portée des enfants. Ne pas accéder à l'unité de mouture. Faites attention à ne pas coincer vos doigts en fermant la porte. L'utilisation inappropriée de la machine peut entraîner des blessures.

## MISE EN GARDE

### Pour éviter tout risque de brûlure :

la buse d'écoulement est brûlante. Après utilisation, laissez-la refroidir avant de la toucher. Après utilisation, la surface des résistance de chauffe et la plaque de chauffe peuvent conserver la chaleur. Attendre avant de les toucher.

### Pour éviter tout risque d'interférence avec les implants électroniques :

L'appareil contient des aimants permanents qui peuvent exercer une influence sur les implants électroniques tels que les stimulateurs cardiaques ou les pompes à insuline. Les personnes porteuses d'implants électroniques sont priées de rester à au moins 4 pouces (10 cm) de l'appareil et des pièces suivantes lors de leur retrait, à savoir réservoir à lait, système à lait, réservoir d'eau et unité de percolation.

## Contenu de l'emballage

(Voir image **A** sur les pages dépliantes)

- a** Machine à espresso automatique
- b** Mode d'emploi
- c** Guide de référence rapide
- d** Cuillère à mesurer
- e** Bandelette pour déterminer la dureté de l'eau
- f** Tuyau à lait (ensemble)
- g** Récipient à lait
- h** Tube d'aspiration

## Toutes nos félicitations...

... pour l'achat de cette machine à espresso automatique ! Vous venez d'acheter un appareil électroménager aussi haut de gamme que moderne. Celui-ci allie en effet une technique novatrice, un grand nombre de fonctions différentes et un grand confort d'utilisation. Grâce à lui, vous pouvez très facilement et rapidement préparer de délicieuses boissons chaudes – qu'il s'agisse d'un espresso au goût corsé, d'un cappuccino bien crémeux, d'un latte macchiato ou d'un café au lait digestes ou tout simplement d'une tasse de café traditionnel. Cet appareil vous offre également de nombreuses possibilités pour adapter ces boissons à votre goût personnel. Pour pouvoir utiliser votre machine à espresso automatique de manière fiable et sûre et découvrir toutes ses possibilités et fonctions, nous vous recommandons de vous familiariser avec ses différents composants, ses fonctions, ses affichages et ses éléments de commande. Ce mode d'emploi devrait vous y aider. Prenez donc le temps nécessaire pour le lire avant de mettre la machine en service.

## Vue d'ensemble

(Voir images **B** à **E** sur les pages dépliantes)

- 1 Porte de l'appareil
  - a) Poignée encastree (pour ouvrir la porte)
  - b) Égouttoir
- 2 Écran
- 3 Bandeau de commande
- 4 Système d'écoulement (café, lait, eau chaude) réglable en hauteur
  - a) Verrouillage
- 5 Système à lait
  - a) Levier d'encliquetage
  - b) Buse d'écoulement (partie supérieure, partie inférieure)
  - c) Tuyau à lait (2 unités)
  - d) Pièce de liaison en métal (pour support magnétique)
- 6 Interrupteur d'alimentation [ O / I ] (alimentation électrique)
- 7 Tiroir à accessoires (pour notice succincte et accessoires)
  - a) Notice succincte
  - b) Cuillère-dose
  - c) Bandelette pour déterminer la dureté de l'eau
  - d) Tuyau à lait (ensemble)
- 8 Réservoir d'eau amovible
  - a) Couvercle du réservoir d'eau
- 9 Réservoir pour café en grains amovible
  - a) Couvercle du réservoir pour café en grains
- 10 Coulisse de réglage de la finesse de mouture
- 11 Support magnétique (pour pièce de liaison)
- 12 Tiroir à café amovible (café en poudre/pastille de nettoyage)
- 13 Support (pour le tuyau à lait)
- 14 Couvercle de protection (pour l'unité de percolation)
- 15 Unité de percolation
  - a) Verrouillage
  - b) Couvercle
- 16 Levier d'éjection
- 17 Bac collecteur, amovible
  - a) Couvercle du bac collecteur
  - b) Tiroir à marc de café
- 18 Réservoir de récupération
- 19 Support (pour tube d'aspiration)
  - a) Tube d'aspiration
- 20 Plaque signalétique (n° E. ; FD)
- 21 Surface de rangement avec sonde (pour le réservoir à lait)
- 22 Réservoir à lait
  - a) Réservoir en acier inoxydable
  - b) Couvercle de la partie inférieure
  - c) Couvercle de la partie supérieure

### Remarque :

pour de plus amples informations concernant l'appareil, pour savoir par exemple comment modifier l'angle d'ouverture de la porte, consulter les instructions de montage ci-jointes.

## Éléments de commande

Pour faciliter l'utilisation de l'appareil tout en mettant à votre disposition une grande diversité de fonctions, la machine utilise un guidage par menu aisément compréhensible. Ce guidage vous permet de sélectionner, en quelques étapes seulement, ce que vous désirez parmi un grand nombre de possibilités.

### **Interrupteur d'alimentation** [ O/I ]

L'interrupteur électrique [ O/I ] (pour y accéder, ouvrir la porte) sert à mettre l'appareil sous tension ou hors tension (coupure de l'alimentation électrique).

### **CONSIGNE :**

ne pas actionner l'interrupteur principal alors que la machine fonctionne. Ne couper l'alimentation que lorsque la machine est en mode Eco, afin que le rinçage automatique ait été effectué.

### **Bandeau de commande (champ tactile)**

Il suffit d'appuyer sur les symboles et les inscriptions pour naviguer dans le champ de commande.

L'appareil émet un signal sonore. Le signal sonore peut être activé ou désactivé (voir chapitre « Menu – Bip touches »).

### [ ON I OFF ]

Actionner [ ON I OFF ] permet de mettre en marche l'appareil ou de le mettre en mode Eco. La machine effectue ce faisant un rinçage automatique.

La machine n'effectue pas de rinçage dans les cas suivants :

- elle est encore chaude au moment de la mise en marche.
- aucune tasse de café n'a été préparée avant d'éteindre la machine.

L'appareil est prêt à fonctionner dès que les symboles permettant la sélection des boissons apparaissent à l'écran.

### [ SETTINGS ]

Appuyer sur [ SETTINGS ] pour accéder au menu. Grâce au menu, il est possible d'effectuer des réglages ou de consulter certaines informations (voir chapitre « Menu »).

### [ CLEAN ]

Appuyer sur [ CLEAN ] pour accéder à la sélection des programmes de maintenance. Effectuer le programme souhaité, comme décrit au chapitre « Programmes de maintenance ».

### [ DOUBLE ]

Appuyer sur [ DOUBLE ] permet, après sélection de la boisson, de préparer deux tasses simultanément (voir chapitre « Deux tasses à la fois »).

### [ FAVORITES ]

Appuyer sur [ FAVORITES ] vous permet d'accéder à la sélection « Préparation de boisson personnalisée ». Les réglages personnalisés pour les boissons à base de café peuvent être mémorisés et réutilisés (voir chapitre « Boissons personnalisées »).

### [ START I STOP ]

Appuyer sur [ START I STOP ] pour lancer la préparation d'une boisson ou effectuer un programme de maintenance. Appuyer de nouveau sur [ START I STOP ] pour stopper la distribution en cours.

### **Touche de navigation « Avance pas-à-pas »**

Appuyer sur les flèches de l'avance pas-à-pas permet de naviguer à travers le menu ou de modifier des paramètres.

### **Écran**

L'écran affiche les boissons, réglages et informations (voir chapitre « Écran »).

## Mise en service

### Généralités

Ne verser, dans les conteneurs correspondants, que de l'eau pure, **froide**, sans gaz carbonique et uniquement du café en grains **torréfié**. Ne pas employer des grains de café avec glaçage, des grains caramélisés ou enrobés d'une substance sucrée quelconque; ils obturent l'unité de percolation.

### AVERTISSEMENT

L'appareil doit être monté correctement, c'est-à-dire conformément aux instructions de montage jointes, et doit être raccordé au secteur avant de pouvoir être mis en marche et utilisé.

### Mise en service de l'appareil

- Retirer les films de protection.

### CONSIGNE :

utiliser l'appareil uniquement dans une pièce à l'abri du gel. Si l'appareil a été transporté ou entreposé à des températures inférieures à 32°F, attendre au moins 3 heures avant de le mettre en service.

- Ouvrir la porte de l'appareil en utilisant la poignée encastrée.
- Sortir le réservoir d'eau, le rincer, le remplir avec de l'eau fraîche et froide jusqu'au repère « max. ».
- Remettre le réservoir d'eau dans l'appareil jusqu'en butée.
- Sortir maintenant le réservoir pour café en grains, le remplir de grains de café et le remettre en place.
- Commuter l'interrupteur principal sur [ I ] et refermer la porte de l'appareil.

L'appareil lance le nettoyage et chauffe. L'écran s'allume.

Le message « Choisissez la langue souhaitée » apparaît.

- Appuyer sur l'avance pas-à-pas [ ∨ ]. Le champ « English » est en surbrillance. La langue peut être modifiée.
- À l'aide de l'avance pas-à-pas [ > ], sélectionner la langue voulue.

- Appuyer sur l'avance pas-à-pas [ ^ ]. Le champ « Langue » est en surbrillance.
- À l'aide de l'avance pas-à-pas [ > ], sélectionner « Dureté de l'eau ».

### Remarque :

le réglage correct de la dureté de l'eau est important, afin que la machine indique suffisamment tôt le moment où un détartrage est nécessaire. L'appareil a été préréglé sur une dureté d'eau de 4. Dans le cas où un adoucisseur d'eau est installé dans la maison, veuillez régler la dureté de l'eau au niveau 3. Vous pouvez aussi vous renseigner sur la dureté de l'eau auprès de votre compagnie locale de distribution d'eau.

- La bandelette jointe sert à déterminer la dureté de l'eau. Plonger brièvement la bandelette de test dans l'eau et lire le résultat qui apparaît au bout de 1 minute.

Niveau	Degré de dureté de l'eau	
	Allemagne (°dH)	Québec (°fH)
1	1-7	1-13
2	8-14	14-25
3	15-21	26-38
4	22-30	39-54

- Appuyer sur l'avance pas-à-pas [ ∨ ]. Le champ « 4 (très dure) » est en surbrillance. La dureté de l'eau peut être modifiée.
- Régler la dureté de l'eau mesurée à l'aide de l'avance pas-à-pas [ < ].
- Appuyer sur l'avance pas-à-pas [ ∨ ]. Le message « Terminer la configuration » apparaît.
- Appuyer sur l'avance pas-à-pas [ ∨ ]. Les réglages sont enregistrés.

L'appareil est prêt à fonctionner lorsque le symbole des boissons apparaît à l'écran. À chaque préparation de boisson, le ventilateur intégré se met en marche et s'arrête après quelques minutes.

**Remarque :**

La première boisson préparée lors de la première utilisation de la machine, après la réalisation d'un programme de maintenance ou après une longue période d'immobilisation, n'a pas encore atteint son plein arôme.

Une fois la mise en service de la machine à espresso automatique effectuée, la présence d'une mousse dense et fine sur le café n'est obtenue qu'après avoir préparé plusieurs tasses.

**Mise hors tension de l'appareil**

- Appuyer sur la touche [ ON | OFF ].

L'appareil effectue un rinçage et retourne en mode Eco.

**Exception :** si l'appareil n'a été utilisé que pour préparer de l'eau chaude, il se met hors tension sans rinçage.

- Pour mettre l'appareil complètement hors tension, ouvrir la porte et commuter l'interrupteur principal en position [ O ].

**CONSIGNE :**

ne pas actionner l'interrupteur principal alors que la machine fonctionne.

**Remarque :**

la machine à espresso automatique est programmée en usine avec des réglages standard de façon à fonctionner de manière optimale. Après écoulement de la durée sélectionnée, l'appareil se met automatiquement en mode Eco et effectue un rinçage (la durée est réglable, voir la section « Arrêt automatique » dans le chapitre « Menu »).

**Remarque :**

l'appareil est équipé d'une sonde. Si un réservoir à lait se trouve dans la machine, un affichage correspondant apparaît à l'écran lors de la commutation en mode Eco. Si du lait se trouve encore dans le réservoir, le conserver au réfrigérateur.

## Écran

**Affichage**







L'écran affiche non seulement les boissons, les réglages effectués et les paramètres possibles, mais aussi des messages concernant l'état de fonctionnement.

**Exemples :****Sélection de la boisson****Informations**

Les informations disparaissent après actionnement de touche ou après un bref instant.



Les informations restent cependant affichées en haut sur l'écran sous forme d'un petit symbole.

-  Récipient à grains presque vide
-  Réservoir d'eau presque vide
-  Remplacez le filtre à eau
-  Programme de nettoyage requis
-  Programme de détartrage requis
-  Programme Clean & Descale nécessaire

## Invitations à agir



### Remarque :

Une fois que les actions nécessaires (comme le remplissage du réservoir d'eau) ont été effectuées, les messages correspondants ainsi que le symbole disparaissent de l'écran.

## Préparation de boissons

Cette machine à espresso automatique fonctionne aussi bien avec du café en grains qu'avec du café moulu (pas de café soluble).

Lorsque la machine est utilisée avec du café en grains, celle-ci moule le grain avant chaque préparation. Pour une qualité optimale, conserver les grains dans un endroit frais et dans un récipient fermé.

### Remarque :

préchauffer la (les) tasse(s), en particulier les tasses épaisses pour espresso, avec de l'eau chaude par exemple.

### CONSIGNE :

remplir chaque jour le réservoir d'eau avec de l'eau fraîche, froide et sans gaz carbonique. Pour que l'appareil puisse fonctionner correctement, le réservoir doit toujours contenir suffisamment d'eau.

### Remarque :

Avec certains réglages, le café est préparé en deux étapes (voir les chapitres « Aroma Double Shot » et « Deux tasses à la fois »). Attendre que l'opération soit entièrement terminée.

## Sélection de la boisson

Il est possible de sélectionner différentes boissons en appuyant sur l'avance pas-à-pas [ < ] ou [ > ] :

Le symbole de la boisson sélectionnée s'affiche au centre. Le nom de la boisson choisie ainsi que les valeurs actuellement sélectionnées (l'intensité et la quantité de café par exemple) sont affichés dans la ligne inférieure de l'écran.



### Les boissons suivantes peuvent être sélectionnées :

Ristretto  
 Espresso  
 Espresso Macchiato  
 Café  
 Cappuccino  
 Latte Macchiato  
 Café au lait  
 Mousse lait  
 Lait chaud  
 Eau chaude

La boisson sélectionnée peut être préparée avec les valeurs préréglées ou être adaptée préalablement au goût individuel de l'utilisateur.

**Adaptation des boissons**

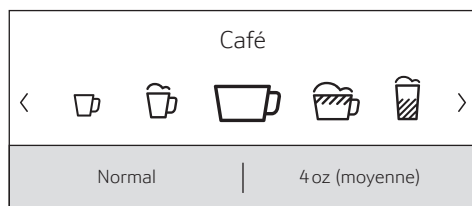
Appuyer sur l'avance pas-à-pas [∨] permet d'afficher différents champs pour l'adaptation en fonction de la boisson.

Le champ, dans lequel les valeurs peuvent être modifiées, est en surbrillance.

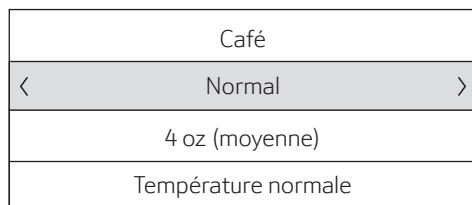
**Exemple :**

Les valeurs pour une tasse de café peuvent être modifiées de la manière suivante :

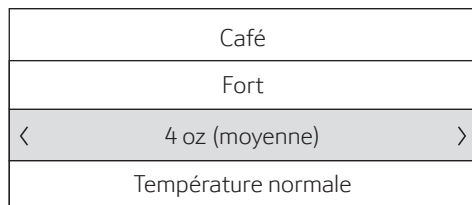
- À l'aide de l'avance pas-à-pas [ < ] ou [ > ], sélectionner «Café».



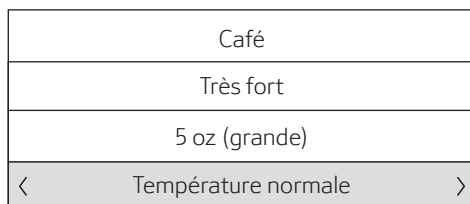
- Appuyer sur l'avance pas-à-pas [∨]. Les champs contenant les valeurs pré-réglées apparaissent. Le champ actif, p. ex. «Doux» pour l'intensité du café, est en surbrillance.



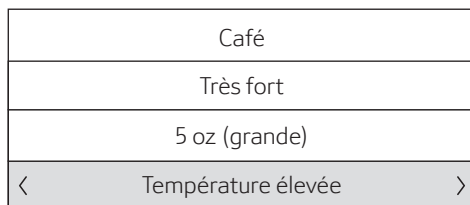
- À l'aide de l'avance pas-à-pas [ < ] ou [ > ], sélectionner l'intensité de café souhaitée, p. ex. «Fort».
- Appuyer sur l'avance pas-à-pas [∨].



- À l'aide de l'avance pas-à-pas [ < ] ou [ > ], sélectionner la quantité de café souhaitée, p. ex. «5 oz (grande)» (160 ml). Appuyer sur l'avance pas-à-pas [∨].



- À l'aide de l'avance pas-à-pas [ < ] ou [ > ], sélectionner la température souhaitée, p. ex. «Température élevée».



- Retourner au menu des boissons en appuyant sur l'avance pas-à-pas [∧] ou lancer la préparation de la boisson avec [ START | STOP ]. Les réglages sont enregistrés.

**Remarque :**

les possibilités de réglage varient selon les boissons. Alors que pour les boissons à base de café, il est possible de régler p. ex. l'intensité du café, la température et la quantité de café, il n'est réglable, pour le lait, que la contenance.

**Les réglages suivants sont possibles :****Intensité du café**

Doux  
Normal  
Fort  
Très fort  
DoubleShot  
DoubleShot +  
DoubleShot ++



**Remarque :****Aroma Double Shot**

Plus la percolation du café dure longtemps, plus les substances amères et les arômes indésirables sont prononcés. Cela a un effet négatif sur le goût et rend le café moins digeste. Pour éviter cela et obtenir tout de même un café très fort, la machine dispose d'une fonction spéciale appelée Aroma Double Shot. La machine prépare tout d'abord la moitié de la quantité souhaitée, puis moule de nouveau du café et effectue une nouvelle percolation pour obtenir uniquement les arômes parfumés et digestes du café.

**Remarque :**

lorsque le volume de 12 oz (360 ml) ou 16 oz (480 ml) est sélectionné, la fonction Aroma Double Shot n'est pas disponible.

**Remarque :**

la fonction Aroma Double Shot n'est pas disponible pour la préparation d'un ristretto, d'un espresso macchiato et d'un café préparé à partir de café moulu.

**Quantité de remplissage**

La quantité de remplissage varie en fonction du type de boisson et peut être réglée par différents pas en «ml» et en «oz». Par défaut, les volumes sont exprimés en «oz» et peuvent être changés en «ml», voir la rubrique « Menu – Unités de mesure du volume ».

**Remarque :**

la quantité peut également varier en fonction de la qualité du lait.

**Remarque :**

si aucune action n'est effectuée pendant env. 30 secondes, la machine quitte automatiquement le mode de réglage. Les réglages effectués sont mémorisés automatiquement.

**Température de la boisson**

Valeurs pour les boissons à base de café :

Température normale

Température élevée

Température très élevée

**Valeurs pour l'eau chaude :**

par défaut, les températures sont exprimés en «°F» et peuvent être changés en «°C», voir la rubrique « Menu – Unités de mesure des températures ».

160° F (70°C) thé blanc

180° F (80°C) thé vert

200° F (90°C) thé noir

Max thé aux fruits

**Remarque :**

si aucune action n'est effectuée pendant env. 30 secondes, la machine quitte automatiquement le mode de réglage. Les réglages effectués sont mémorisés automatiquement.

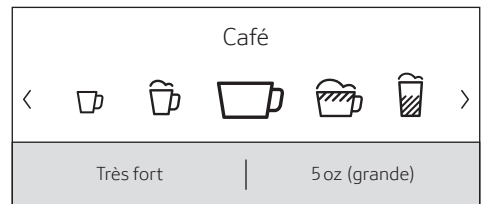
---

## Préparation avec du café en grains

La machine doit être prête à fonctionner.

- Placer une tasse sous la buse d'écoulement.
- À l'aide de l'avance pas-à-pas [ < ] ou [ > ], sélectionner «Ristretto», «Espresso» ou «Café».

L'écran affiche la boisson sélectionnée ainsi que les valeurs d'intensité et de quantité de café préréglées pour cette boisson.

**Remarque :**

les réglages peuvent être modifiés comme décrit au chapitre « Adaptation des boissons ».

- Appuyer sur [ START | STOP ], afin de lancer la préparation.

La machine effectue la percolation et le café s'écoule ensuite dans la tasse.

Une simple pression sur [ START | STOP ] permet d'arrêter la distribution en cours.

## Préparation de boissons à base de lait

Cette machine à espresso automatique possède une buse d'écoulement intégrée. Celle-ci vous permet de préparer des boissons à base de lait, de la mousse de lait ainsi que du lait chaud.

### ⚠ MISE EN GARDE

#### Risque de brûlures !

La buse d'écoulement est brûlante. Après utilisation, la laisser refroidir avant de la toucher.

#### Réservoir à lait

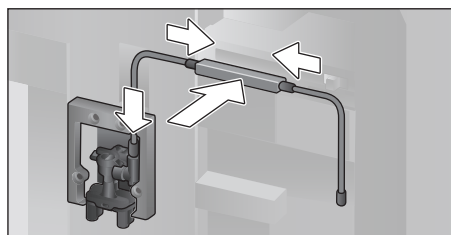
Le réservoir à lait est conçu spécialement pour être utilisé en combinaison avec cette machine à espresso automatique. Destiné uniquement à être utilisé dans les ménages privés, il sert à conserver le lait au réfrigérateur.

#### CONSIGNE :

retirer les tasses ou verres avant d'ouvrir la porte, ils risquent sinon de chuter.

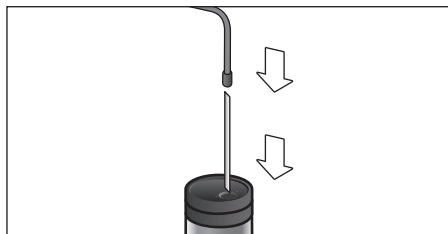
Pour raccorder le réservoir à lait ou une brique de lait :

- Ouvrir la porte de l'appareil.
- Retirer le couvercle de la buse d'écoulement en le tirant vers l'avant.
- Raccorder et fixer les tuyaux à lait et la pièce de liaison comme représenté sur l'illustration.



- Remettre le couvercle de la buse d'écoulement en place.

- Raccorder le tube d'aspiration et l'introduire dans le réservoir à lait.



- Fermer la porte de l'appareil.

#### Remarque :

une fois secs, les résidus de lait sont difficiles à nettoyer, il est donc **impératif** de les éliminer rapidement (voir chapitre « Nettoyage du système à lait »).

#### Boissons à base de café et de lait

- Placer la tasse ou le verre en dessous de la buse d'écoulement.
- À l'aide de l'avance pas-à-pas [ < ] ou [ > ], sélectionner le type de boisson souhaité : « Espresso Macchiato », « Cappuccino », « Latte Macchiato » ou « Café au lait ».

L'écran affiche la boisson sélectionnée ainsi que les valeurs d'intensité et de quantité de café prééglées pour cette boisson.

#### Remarque :

les réglages peuvent être modifiés comme décrit au chapitre « Adaptation des boissons ».

- Appuyer sur [ START | STOP ], afin de lancer la préparation.

La machine verse tout d'abord le lait dans la tasse ou le verre. Puis elle effectue la percolation et le café s'écoule ensuite de la buse.

Une nouvelle pression sur [ START | STOP ] permet d'interrompre précocément l'étape de préparation actuellement en cours.

**Mousse lait ou lait chaud**

- Placer la tasse ou le verre sous la buse d'écoulement.
- Sélectionner, à l'aide de l'avance pas-à-pas [ < ] ou [ > ], la préparation «Mousse lait» ou «Lait chaud».

**Remarque :**

les réglages peuvent être modifiés comme décrit au chapitre «Adaptation des boissons».

- Appuyer sur [ START I STOP ], afin de lancer la préparation.

La mousse de lait ou le lait chaud s'écoule dans la tasse.

Une nouvelle pression sur [ START I STOP ] permet d'interrompre précocément l'étape de préparation actuellement en cours.

---

## Préparation avec du café moulu

**Remarque :**

lorsque vous utilisez du café moulu, il n'est pas possible de définir la force du café, ni de préparer deux tasses à la fois, ni d'utiliser de grands volumes de liquide (12 oz/360 ml ou 16 oz/480 ml). Si le message «Impossible de servir cette quantité avec du café moulu» apparaît, veuillez choisir un volume inférieur à 12 oz/360 ml.

**CONSIGNE :**

retirer les tasses ou verres avant d'ouvrir la porte, ils risquent sinon de chuter.

La machine doit être prête à fonctionner.

- Ouvrir la porte de l'appareil.
- Retirer le tiroir à café. Le tiroir à poudre doit être sec.
- Mettre la quantité souhaitée de café en poudre (au maximum 2 cuillères-doses rases) dans le réservoir correspondant, ne pas tasser.

**CONSIGNE :**

ne pas verser de café en grains ou de café soluble.

- Remettre le tiroir à café en place.
- Fermer la porte de l'appareil. À la place de l'intensité de café, l'écran affiche «Café moulu».

**Remarque :**

si aucun café n'est préparé dans les 90 secondes qui suivent, la chambre de percolation se vide automatiquement pour éviter un éventuel débordement. La machine effectue un rinçage.

- Placer la tasse sous la buse d'écoulement.
  - Sélectionner, à l'aide de l'avance pas-à-pas [ < ] ou [ > ], une boisson à base de café ou une boisson à base de lait.
- L'écran affiche la boisson sélectionnée ainsi que les valeurs d'intensité et de quantité de café préréglées pour cette boisson.

**Remarque :**

les réglages peuvent être modifiés comme décrit au chapitre «Adaptation des boissons».

**Remarque :**

pour les boissons à base de café et de lait, respecter les indications figurant au chapitre «Préparation de boissons à base de lait».

- Appuyer sur [ START I STOP ], afin de lancer la préparation.

La machine effectue la percolation et le café s'écoule ensuite dans la tasse. Pour les boissons à base de café et de lait, la machine verse tout d'abord le lait dans la tasse, puis effectue ensuite la percolation.

**Remarque :**

pour obtenir une autre boisson avec du café moulu, répéter la procédure.

## Préparation d'eau chaude

### MISE EN GARDE

#### Risque de brûlures !

La buse d'écoulement est brûlante. Après utilisation, la laisser refroidir avant de la toucher.

La machine doit être prête à fonctionner.

- Retirer le tuyau à lait du réservoir à lait.
- Éliminer les résidus de lait ou de café se trouvant au niveau de la buse.
- Placer la tasse ou le verre sous la buse d'écoulement.
- À l'aide de l'avance pas-à-pas [ < ] ou [ > ], sélectionner «Eau chaude».

#### Remarque :

les réglages peuvent être modifiés comme décrit au chapitre «Adaptation des boissons».

- Appuyer sur [ START | STOP ], afin de lancer la préparation.
- Le message «Tuyau à lait séparé du pot à lait ?» apparaît à l'écran.
- S'il est encore raccordé, retirer le tuyau à lait et appuyer sur l'avance pas-à-pas [ √ ].

De l'eau chaude coule de la buse d'écoulement.

Une simple pression sur [ START | STOP ] permet d'arrêter la distribution en cours.

## Boissons personnalisées

Appuyer sur [ FAVORITES ] pour accéder à la sélection pour les boissons personnalisées.

Il est possible d'utiliser jusqu'à 8 emplacements mémoire. Ceci permet à l'utilisateur de mémoriser ses boissons favorites avec tous ses réglages.

#### Remarque :


il est possible, à tout moment, de quitter le menu sans enregistrer les modifications. Pour cela, appuyer sur [ FAVORITES ].

### Créer ou modifier une boissons

- Appuyer sur [ FAVORITES ].

La sélection des emplacements mémoire apparaît.



- Sélectionner, à l'aide de l'avance pas-à-pas [ < ] ou [ > ], un emplacement mémoire vide  pour créer une nouvelle boisson ou sélectionner un emplacement mémoire occupé pour modifier ou supprimer une boisson.
- Si un emplacement vide a été sélectionné, appuyer sur «Créer». Si un emplacement occupé a été sélectionné, appuyer sur «Modifier».
- Appuyer sur l'avance pas-à-pas [ √ ].

#### Remarque :

si l'utilisateur choisit «Effacer», les réglages correspondant à l'emplacement mémoire sont effacés et l'emplacement est à nouveau disponible.

Le menu permettant d'adapter les boissons apparaît. L'écran affiche alors la dernière boisson préparée avec les derniers réglages effectués.

- Si l'utilisateur ne veut pas enregistrer la dernière boisson préparée, il peut sélectionner une autre boisson à l'aide de l'avance pas-à-pas [ < ] ou [ > ].
- À l'aide de l'avance pas-à-pas [ √ ] ou [ ^ ], sélectionner un à un les réglages qui doivent être modifiés. À l'aide de l'avance pas-à-pas [ < ] ou [ > ], adapter les valeurs.

En fonction de la sélection de la boisson, différentes possibilités de réglage sont proposées.

#### Remarque :

pour les boissons à base de café et de lait, il est possible de régler le rapport entre café et lait.

- Les réglages peuvent être alors mémorisés sous un nom individuel. Sélectionner « Enregistrer le nom ». Le masque permettant de saisir un nom apparaît.

Supprimer ^	
<	S T U V W X Y Z I A B C D E F G H I J
	A
Sélectionner une lettre v	

- Appuyer sur [^] pour quitter la saisie sans mémoriser. Le menu boissons apparaît.
- Sélectionner, à l'aide de l'avance pas-à-pas [<] ou [>], une lettre ou un symbole figurant dans la ligne supérieure de l'écran.
- Appuyer sur [v] pour confirmer la lettre sélectionnée. Pour effacer, sélectionner [<] et appuyer sur [v].
- Sélectionner et confirmer les autres lettres ou symboles.
- Appuyer sur [^] pour reprendre la saisie. Le menu de sélection apparaît.
- Appuyer sur [FAVORITES] pour quitter le menu.

### Sélection et préparation d'une boisson personnalisée

Appuyer sur [FAVORITES]. La sélection des emplacements mémoire apparaît.

- Sélectionner l'emplacement mémoire voulu à l'aide de l'avance pas-à-pas [<] ou [>].
- Placer la tasse ou le verre sous la buse d'écoulement.
- Appuyer sur [START | STOP], afin de lancer la préparation.

## Deux tasses à la fois

Appuyer sur [DOUBLE] pour préparer simultanément deux tasses de la boisson sélectionnée. Le réglage est affiché, sur l'écran, par une deuxième symbole de tasse et par un texte, p. ex. « 2x Espresso ».

- À l'aide de l'avance pas-à-pas [<] ou [>], sélectionner la boisson souhaitée.

- Appuyer sur [DOUBLE].
- Placer deux tasses, une à gauche et une à droite, sous la buse d'écoulement.
- Appuyer sur [START | STOP], afin de lancer la préparation.

La boisson choisie est préparée et s'écoule ensuite dans les deux tasses.

### Remarque :

la boisson est préparée en deux étapes (deux cycles de mouture).

Attendre que l'opération soit entièrement terminée.

### Remarque :

lorsque le volume 12 oz (360 ml) ou 16 oz (480 ml) est sélectionné, il n'est pas possible de servir deux tasses en même temps.

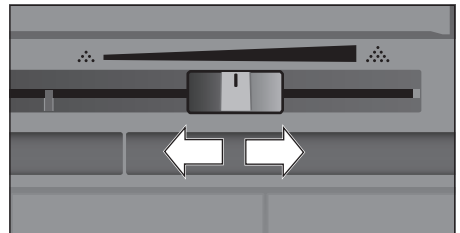
### Remarque :

la préparation de deux tasses à la fois n'est pas possible avec les réglages « Aroma Double Shot » et « Café moulu ».

## Réglage du degré de mouture

Cette machine à espresso automatique possède un moulin réglable. Celui-ci permet de varier individuellement le degré de mouture du café.

- Ouvrir la porte de l'appareil.
- Régler, à l'aide de la coulisse, la finesse de mouture entre du café finement moulu ☼ et du café grossièrement moulu ☼.



- Refermer la porte de l'appareil.

### Remarque :

choisir une mouture plus fine pour les grains torréfiés de couleur foncée et une mouture plus grossière pour les grains torréfiés de couleur claire.

**Remarque :**

ne changer le réglage de la finesse de mouture que par petits pas.

**Remarque :**

le nouveau réglage n'est perceptible qu'à partir de la seconde tasse de café.

**Remarque :**

si le message «Sélectionnez une mouture plus grosse» apparaît à l'écran, cela signifie que les grains de café sont moulus trop finement. Régler une mouture moins fine.

---

## Sécurité enfants

Afin d'éviter que les enfants se brûlent ou s'ébouillantent, il est possible de verrouiller la machine.

- Appuyer sur [ **SETTINGS** ] pendant au moins 4 secondes. «Verrouillage du tableau activé» s'affiche brièvement à l'écran.

Plus aucune commande n'est possible, seul [ **ON | OFF** ] peut être actionné.

- Appuyer sur la touche [ **SETTINGS** ] pendant au moins 4 secondes afin de désactiver la sécurité enfants. «Verrouillage du tableau désactivé» s'affiche brièvement à l'écran.

---

## Menu

Le menu permet de modifier des réglages individuellement, d'appeler des informations ou encore de lancer des programmes.

- Appuyer sur [ **SETTINGS** ] pour accéder au menu.

Les différentes possibilités de réglage apparaissent à l'écran.

**Navigation dans le menu :**

L'avance pas-à-pas [ < ] ou [ > ] permet de sélectionner les différents points de menu, p. ex. «Langue». [ √ ] permet d'afficher le réglage correspondant, p. ex. «English», et [ < ] ou [ > ] permet de le modifier. [ ^ ] permet de quitter le réglage correspondant.

Langue	
Choisissez la langue souhaitée	
<	Français >

**Par exemple :**

Réglage de l'arrêt automatique de l'appareil après 15 minutes :

- Appuyer sur [ **SETTINGS** ]. Le menu s'ouvre.
- À l'aide de l'avance pas-à-pas [ < ] ou [ > ], sélectionner «Arrêt automatique».
- Appuyer sur l'avance pas-à-pas [ √ ].
- À l'aide de l'avance pas-à-pas [ < ] ou [ > ] sélectionner «0h 15min».
- Appuyer sur [ **SETTINGS** ]. Le message «Enregistrer les modifications ?» apparaît à l'écran.
- Appuyer sur l'avance pas-à-pas [ √ ]. Le réglage est mémorisé.

La sélection des boissons apparaît maintenant à l'écran.

**Remarque :**

il est possible, à tout moment, de quitter le menu. Pour cela, appuyer sur [ **SETTINGS** ]. Si aucune saisie n'est effectuée dans les 30 secondes qui suivent, le menu se referme automatiquement sans enregistrer les réglages.

## Les réglages suivants peuvent être effectués :

Langue

Réglage de la langue dans laquelle les messages sont affichés.

Dureté de l'eau

Réglage en fonction de la dureté de l'eau locale.

La dureté peut être sélectionnée par niveaux de «1 (douce)» à «4 (très dure)». L'appareil a été préréglé sur une dureté de «4 (très dure)».

### Remarque :

le réglage correct de la dureté de l'eau est important, afin que la machine indique suffisamment tôt le moment où un détartrage est nécessaire.

La dureté de l'eau peut être déterminée à l'aide de la bandelette de test fournie ou être demandée au Service des Eaux local. Si un adoucisseur d'eau est installé dans votre établissement, veuillez sélectionner «Adoucisseur».

Filtre à eau

Si un filtre à eau est inséré, renouvelé ou retiré, le réglage correspondant «Activer», «Remplacer» ou «Retirer» doit être sélectionné.

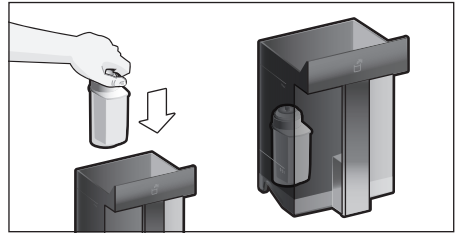
### Remarque :

le filtre à eau permet de prévenir les dépôts de tartre, de réduire les salissures dans l'eau et d'améliorer le goût du café. Les filtres à eau sont disponibles dans le commerce ou peuvent être commandés auprès du service après-vente (voir chapitre «Accessoires»).

Insertion ou renouvellement d'un filtre à eau : Avant de pouvoir être utilisé, tout filtre à eau neuf doit être rincé.

- À l'aide de l'avance pas-à-pas [ < ] ou [ > ], sélectionner soit «Activer», soit «Remplacer».

- Insérer le filtre à eau fermement dans l'évidement du réservoir d'eau prévu à cet effet.



- Remplir le réservoir d'eau jusqu'au repère «max».
- Retirer le tuyau à lait du réservoir à lait et refermer la porte.

### CONSIGNE :

veiller à ne pas coincer le tuyau en refermant la porte.

- Placer un récipient d'une contenance de 0,5 litre sous la buse d'écoulement.
  - Appuyer sur [ START | STOP ].
- L'eau traverse alors le filtre pour le rincer.
- Ensuite, vider le récipient.
- La machine est de nouveau prête à fonctionner.

### Remarque :

le rinçage du filtre a simultanément activé le réglage permettant d'afficher le remplacement du filtre.

Le filtre n'est plus efficace lorsque le message «Remplacez le filtre à eau» apparaît à l'écran ou, au plus tard, après 2 mois. Il faut alors le remplacer pour des raisons d'hygiène et afin que l'appareil ne s'entarte pas (ce qui pourrait l'endommager).

- Si aucun filtre neuf n'est inséré, sélectionner le réglage «Retirer» et appuyer sur [ START | STOP ].
- Le message «Retirez le filtre à eau, réinstallez le réservoir d'eau, fermez la porte» apparaît à l'écran.

### Remarque :

si la machine n'a pas été utilisée durant une période prolongée (vacances, p. ex.), rincer le filtre en place avant d'utiliser à nouveau la machine. Pour cela, préparer tout simplement une tasse d'eau chaude.

Des informations complètes sur le filtre à eau figurent dans les instructions relatives au filtre jointes.

Échelle de température  
Choisir entre «°F» et «°C».

Unités de volume  
Choisir entre «oz» et «ml».

Arrêt automatique  
Réglage de la durée après laquelle l'appareil effectue un rinçage automatique et s'arrête une fois la dernière préparation de boisson terminée.  
La durée peut être comprise entre 15 minutes et 8 heures. Elle est réglée par défaut sur 30 minutes.

Éclairage  
Réglage de l'éclairage de la buse d'écoulement. Il peut être réglé sur «Allumée», «Automatique» ou «Éteint».

Luminosité de l'éclairage  
Réglage de la luminosité de l'éclairage de la buse d'écoulement. Il peut être réglé entre «Niveau 1» et «Niveau 10».

Luminosité de l'écran  
Réglage de la luminosité de l'écran.

Bip touches  
Activation ou désactivation des signaux sonores.

Affichage de l'horloge  
Possibilité d'affichage de l'heure et de la date «Désactivée» ou «Numérique» (marche). Les réglages correspondants peuvent s'effectuer dans les autres menus.

#### **Remarque :**

les réglages de l'heure et de la date sont perdus lorsque l'alimentation de l'appareil est coupée par actionnement de l'interrupteur ou en cas de panne d'électricité.

Heure actuelle  
Réglage de l'heure actuelle.

Format de l'horloge  
Vous pouvez choisir entre le format américain («12 h») et le format européen («24 h»).

#### **Remarque :**

pas de différence entre am et pm.

Sécurité de transport  
Programme de maintenance visant à éviter les dommages provoqués par le gel durant le transport et l'entreposage.  
Lors de ce programme, la machine est vidée entièrement.

- Sélectionner «Démarrer» pour démarrer le programme.
- Vider le réservoir d'eau et le remettre en place.
- Le cas échéant, retirer le réservoir à lait et fermer la porte.

La machine purge automatiquement le circuit.

- Vider le bac collecteur et le remettre en place.

Informations sur les boissons  
Affichage du nombre de boissons préparées depuis la mise en service de la machine.

- Sélectionner «Continuer» pour faire afficher les informations.

Réglages d'usine

Restaure tous les paramètres de la machine tels qu'ils étaient à la livraison.

- À l'aide de l'avance pas-à-pas [ < ] ou [ > ], sélectionner «Réinitialiser». Le message «Réinitialiser?» apparaît à l'écran.
- Appuyer sur «Réinitialiser» pour confirmer la procédure ou sur «Annuler» pour l'interrompre.



## Entretien et nettoyage quotidiens

### ⚠ AVERTISSEMENT

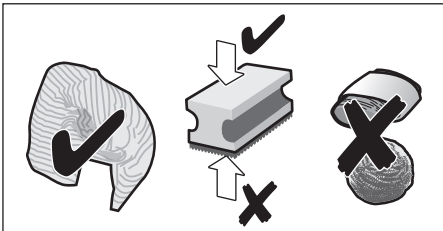
#### Risque d'électrocution !

Ne jamais plonger la machine dans l'eau.  
Ne jamais utiliser de nettoyeur à vapeur.

### ⚠ AVERTISSEMENT

Ne jamais utiliser de produits chimiques agressifs pour nettoyer votre machine à café. Certains produits de nettoyage contenant du chlorure peuvent endommager votre appareil et présenter des risques pour la santé. Certains produits chimiques peuvent laisser des résidus toxiques. Utiliser un détergent à vaisselle classique et de l'eau.

- Essuyer le corps de la machine avec un chiffon doux et humide.
- Utiliser un produit de nettoyage très doux.
- Nettoyer le panneau de commande et l'écran avec un chiffon en microfibras.
- Ne pas utiliser de produit nettoyant contenant de l'alcool ou de l'alcool à brûler.
- Ne pas utiliser de chiffons abrasifs ou de produits nettoyants.



- Toujours nettoyer immédiatement les résidus de tartre, de café, de lait, de produit nettoyant ou de solution détartrante. Les surfaces situées sous ces résidus risquent de se corroder.

#### Remarque :

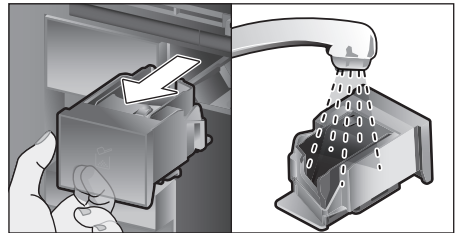
les chiffons éponges neufs peuvent contenir des sels. Ces sels peuvent être responsables de rouille superficielle sur l'acier inox ; un rinçage méticuleux est par conséquent indispensable avant l'emploi.

- Ouvrir la porte et tirer le bac collecteur vers l'avant.
- Retirer le couvercle du bac collecteur et du réservoir à marc.
- Vider les éléments individuels, les nettoyer et les sécher.

#### CONSIGNE :

le bac collecteur et le réservoir à marc doivent être vidés et nettoyés tous les jours afin d'éviter les dépôts.

- Retirer le tiroir à café, le rincer sous l'eau courante et bien le sécher.



- Essuyer et bien sécher l'intérieur de l'appareil (logement du bac collecteur et tiroir à café) et du bac collecteur.
- Remettre les pièces bien séchées (p. ex. le tiroir à café) en place.

#### CONSIGNE :

 **Ne pas mettre les éléments suivants au lave-vaisselle :**

Tiroir à accessoires, réservoir d'eau, couvercle du réservoir d'eau, couvercle de la buse d'écoulement, réservoir pour café en grains, couvercle du réservoir pour café en grains, pièce de liaison en métal, tiroir à café, couvercle de protection de l'unité de percolation, unité de percolation et réservoir à lait.



### Les éléments suivants peuvent aller au lave-vaisselle :

Égouttoir, plateau de collecte, bac collecteur, couvercle du bac collecteur, réservoir à marc, tuyaux à lait, tube d'aspiration, éléments individuels de distribution de boisson, cuillères à poudre et éléments individuels couvercle du réservoir à lait.

#### Remarque :

si la machine est mise en marche à froid ou arrêtée après la préparation d'un café, elle se rince automatiquement. L'appareil se nettoie ainsi de lui-même.

#### CONSIGNE :

si la machine n'a pas été utilisée pendant une période prolongée (vacances p. ex.), nettoyer soigneusement l'ensemble de la machine, y compris le système à lait, le tiroir à café et l'unité de percolation.

### Nettoyage du système à lait

Le système à lait est nettoyé automatiquement par un bref coup de vapeur, immédiatement après la préparation d'une boisson à base de lait.

#### Remarque :

pour assurer un nettoyage particulièrement minutieux, le système à lait peut être en outre rincé à l'eau courante (voir chapitre « Rinçage du système à lait »).

#### CONSIGNE :

nettoyer le système à lait manuellement toutes les semaines, et plus souvent encore si nécessaire (voir chapitre « Nettoyage manuel du système à lait »).



## MISE EN GARDE

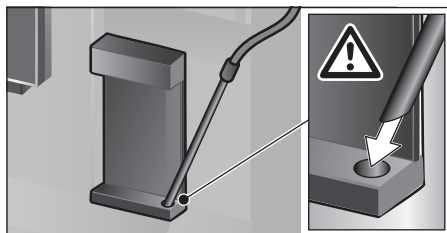
### Risque de brûlures !

La buse d'écoulement est brûlante. Après utilisation, la laisser refroidir avant de la toucher.

### Rinçage du système à lait

Appuyer sur [ CLEAN ] et sélectionner, à l'aide de l'avance pas-à-pas [ < ] ou [ > ] « Rincer le système de lait ».

- Appuyer sur l'avance pas-à-pas [ √ ]. Le programme démarre.
- Ouvrir la porte et retirer le tube d'aspiration du réservoir à lait.
- Essuyer le tube d'aspiration et introduire son extrémité dans le trou du réservoir à marc.



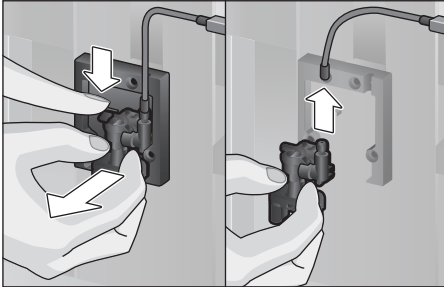
- Fermer la porte. Veiller ce faisant à ne pas coincer le tuyau à lait.
  - Placer un verre vide sous la distribution de boisson.
  - Appuyer sur [ START | STOP ].
- Le système à lait se rince avec de l'eau.
- Vider ensuite le verre.
  - Appuyer sur [ CLEAN ] pour quitter le programme.

Le rinçage du système à lait est terminé. La machine est de nouveau prête à fonctionner.

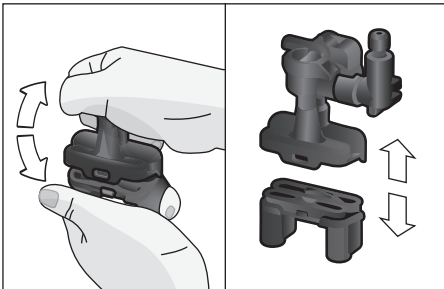
### Nettoyage manuel du système à lait

Démontage du système à lait en vue du nettoyage :

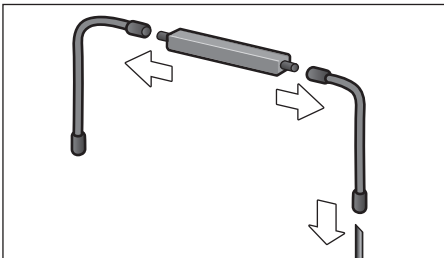
- Pousser la buse d'écoulement entièrement vers le bas et retirer le couvercle en le tirant vers l'avant.
- Pousser le levier d'encliquetage qui se trouve à gauche de la buse d'écoulement vers le bas et tirer la buse d'écoulement en la tirant vers l'avant.



- Démontez le tuyau à lait. Démontez la partie supérieure et la partie inférieure de la buse d'écoulement.



- Séparer les tuyaux à lait, la pièce de liaison et le tube d'aspiration.



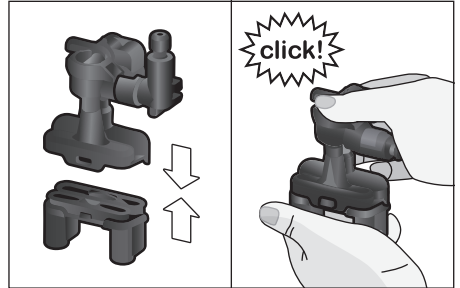
- Nettoyer les différentes pièces avec un produit de nettoyage et un chiffon doux.

- Rincer toutes les pièces à l'eau claire et les sécher.



Tous les éléments du système à lait peuvent passer au lave-vaisselle.

- Remonter les différentes pièces (voir également la notice succincte).



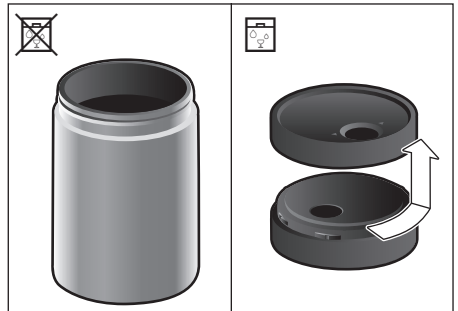
- Remettre la buse d'écoulement en place sur les trois raccordements.
- Remonter le couvercle.

### Nettoyage du réservoir à lait

#### CONSIGNE :

les résidus de lait dans le récipient à lait peuvent provoquer l'apparition de moisissures.


Pour des raisons d'hygiène, le réservoir à lait doit être nettoyé régulièrement. Seules les pièces du couvercle peuvent être lavées au lave-vaisselle. Nettoyer le réservoir à lait en acier inox à la main, en utilisant un nettoyant doux.

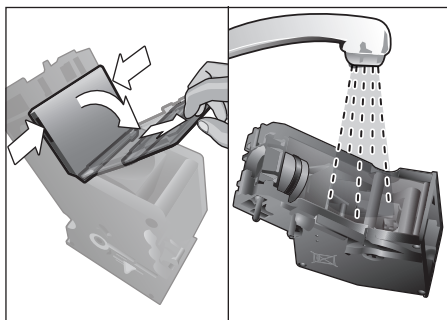


## Nettoyage de l'unité de percolation

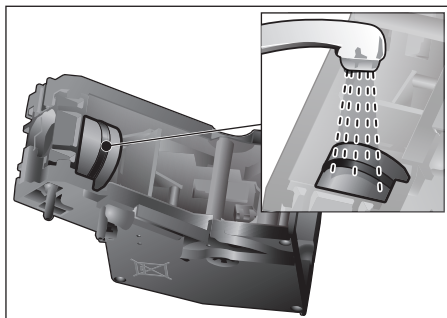
(voir également la notice succincte)

En plus du programme de nettoyage automatique, il est possible de retirer l'unité de percolation pour la nettoyer.

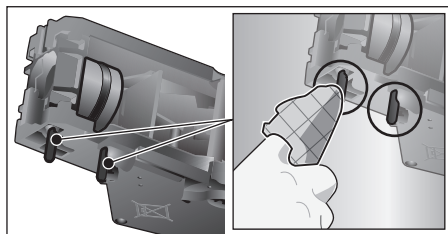
- Ouvrir la porte de l'appareil.
- Mettre l'appareil entièrement hors tension à l'aide de l'interrupteur principal [ O/I ].
- Retirer le couvercle de protection de l'unité de percolation.
- Sortir le tiroir à marc de café.
- Faire glisser le verrou rouge de l'unité de percolation vers la gauche, en position .
- Pousser le levier d'éjection complètement vers le bas. L'unité de percolation est ainsi déverrouillée.
- Saisir l'unité de percolation par les poignées encastrées et la retirer avec précaution.
- Retirer le couvercle de l'unité de percolation et nettoyer soigneusement l'unité de percolation sous l'eau courante.




- Nettoyer soigneusement le filtre de l'unité de percolation sous l'eau courante.




- Nettoyer soigneusement les raccords filetés de l'unité de percolation.




 **Important :** ne pas utiliser de produit à vaisselle et ne pas mettre au lave-vaisselle.

- Essuyer soigneusement l'intérieur de la machine avec un chiffon humide et retirer les éventuels résidus de café.
- Laisser sécher l'unité de percolation et l'intérieur de l'appareil.
- Replacer le couvercle sur l'unité de percolation.
- Pousser l'unité de percolation jusqu'à la butée dans l'appareil puis appuyer dessus, au milieu, jusqu'à entendre un clic indiquant sa mise en prise.

### CONSIGNE :

avant de remettre l'unité de percolation en place, le verrou rouge doit se trouver du côté gauche, en position  (voir illustration E).

- Pousser le levier d'éjection complètement vers le haut et le verrou rouge vers la droite, en position .
- Mettre le tiroir à marc de café en place.
- Remettre le couvercle de protection en place.
- Fermer la porte de l'appareil.

## Programmes de maintenance

(voir également la notice succincte)

À intervalles réguliers, les messages suivants apparaissent à l'écran :

« Démarrez le programme de détartrage ! » ou

« Démarrez le programme de nettoyage ! » ou

« Démarrez le programme Clean & Descale ! ».

La machine doit alors être nettoyée ou détartrée sans tarder avec le programme correspondant. Si nécessaire, les opérations de détartrage et de nettoyage peuvent être réunies à l'aide de la fonction Clean & Descale (voir chapitre « Clean & Descale »). Si le programme de maintenance n'est pas réalisé conformément aux indications, la machine risque d'être endommagée.

### Remarque :

si l'appareil n'est pas détartré en temps voulu, le message suivant s'affiche :

« Retard programme de détartrage.

Verrouillage imminent de l'appareil ! ».

Réaliser le processus de détartrage conformément aux instructions. Si l'appareil est bloqué, il ne pourra être utilisé qu'après avoir réalisé un processus de détartrage dans son intégralité.

Pour afficher le nombre des boissons pouvant encore être préparées avant qu'un programme de maintenance doive être effectué, procéder de la manière suivante :

- Appuyer sur [ CLEAN ].
- À l'aide de l'avance pas-à-pas [ < ] ou [ > ], sélectionner « Information d'entretien ».
- Appuyer sur [ √ ] afin de consulter les informations.

### CONSIGNE :

Pour chaque programme d'entretien, utiliser un produit de détartrage et de nettoyage conforme aux instructions et respecter les consignes de sécurité (respectives).

Ne jamais interrompre le programme de maintenance !

Ne pas boire les liquides !

Ne jamais utiliser de vinaigre, de produit à base de vinaigre, d'acide citrique ou de produit à base d'acide citrique !

Ne jamais verser de pastilles de détartrage ou autres produits de détartrage dans le tiroir à café !

Des pastilles de détartrage et de nettoyage spécialement conçues à cet effet sont disponibles dans le commerce et auprès du service après-vente (voir chapitre « Accessoires »).



## MISE EN GARDE

Ne pas boire ni toucher les produits de nettoyage ou de détartrage. Conserver les produits de nettoyage et les comprimés de détartrage hors de la portée des enfants. Ils peuvent être toxiques.

### CONSIGNE :

avant de démarrer le programme de maintenance correspondant (détartrage, nettoyage ou Clean & Descale), retirer l'unité de percolation, la nettoyer en suivant les indications et la remettre en place. Veiller à ne pas coincer le tuyau à lait en refermant la porte.

Une fois le programme de maintenance respectif effectué, essuyer l'appareil avec un chiffon doux et humide, afin d'éliminer immédiatement les résidus de la solution de détartrage ou de nettoyage. Les surfaces situées sous ces résidus risquent de se corroder.

Les chiffons éponges neufs peuvent contenir des sels. Ces sels peuvent être responsables de rouille superficielle sur l'acier inox; un rinçage méticuleux est par conséquent indispensable avant l'emploi. Nettoyer méticuleusement la buse d'écoulement, les tuyaux à lait et la pièce de liaison.

### Détartrage

Durée: 21 minutes env.

- Appuyer sur [ CLEAN ].
- À l'aide de l'avance pas-à-pas [ < ] ou [ > ], sélectionner «Détartrer».
- Appuyer sur [ START I STOP ]. Le menu guide l'utilisateur pendant le programme.
- Vider les bacs collecteurs et les remettre en place.
- Le cas échéant, retirer le filtre d'eau et appuyer sur [ START I STOP ].
- Verser de l'eau tiède dans le réservoir d'eau jusqu'au repère «0,5l» et dissoudre 1 pastille de détartrage Thermador 00311823.

### Remarque:

si la solution de détartrage se trouvant dans le réservoir d'eau est insuffisante, un message correspondant est émis. Remplir d'eau plate et appuyer de nouveau sur [ START I STOP ].

- Retirer le tube d'aspiration du réservoir à lait, l'essuyer, puis insérer l'extrémité du tube d'aspiration dans le trou du réservoir à marc.
- Fermer la porte de l'appareil.
- Placer un récipient d'une contenance de 0,5 l sous la buse d'écoulement.
- Appuyer sur [ START I STOP ]. Le programme de détartrage dure maintenant environ 19 minutes.
- Retirer le récipient et appuyer sur [ START I STOP ].
- Rincer le réservoir d'eau et remettre le filtre à eau en place (s'il a été préalablement retiré).
- Remplir le réservoir d'eau fraîche jusqu'au repère «max».

- Remettre le réservoir d'eau en place et refermer la porte.
- Placer de nouveau le récipient sous la buse d'écoulement.
- Appuyer sur [ START I STOP ]. Le programme de détartrage dure maintenant environ 2 minutes et rince la machine.
- Enlever le récipient, vider les bacs collecteurs et les remettre en place, fermer enfin la porte de l'appareil.
- Appuyer sur [ START I STOP ]. La machine a été détartrée et est ainsi de nouveau prête à fonctionner.
- Appuyer sur [ CLEAN ] pour quitter le programme.

### Nettoyage

Durée: 5 minutes env.

- Appuyer sur [ CLEAN ].
- À l'aide de l'avance pas-à-pas [ < ] ou [ > ], sélectionner «Nettoyer».
- Appuyer sur [ START I STOP ]. Le menu guide l'utilisateur pendant le programme.
- Nettoyer la buse d'écoulement et la remettre en place, vider les bacs collecteurs et les remettre en place.
- Ouvrir le tiroir à café, y mettre une pastille de nettoyage et refermer le tiroir à café.
- Fermer la porte de l'appareil.
- Placer un récipient d'une contenance de 0,5 l sous la buse d'écoulement.
- Appuyer sur [ START I STOP ]. Le programme de nettoyage dure maintenant 5 minutes environ.
- Enlever le récipient, vider les bacs collecteurs et les remettre en place, fermer enfin la porte de l'appareil.
- Appuyer sur [ START I STOP ]. La machine est à présent nettoyée et de nouveau prête à fonctionner.
- Appuyer sur [ CLEAN ] pour quitter le programme.

## Clean & Descale

Durée : 26 minutes env.

Clean & Descale combine les fonctions individuelles de détartrage et de nettoyage.

Si les échéances de chaque programme sont proches l'une de l'autre, la machine propose automatiquement ce programme de maintenance.

- Appuyer sur [ CLEAN ].
- À l'aide de l'avance pas-à-pas [ < ] ou [ > ], sélectionner «Clean & Descale».
- Appuyer sur [ START I STOP ]. Le menu guide l'utilisateur pendant le programme.
- Nettoyer la buse d'écoulement et la remettre en place, vider les bacs collecteurs et les remettre en place.
- Ouvrir le tiroir à café, y mettre une pastille de nettoyage et refermer le tiroir à café.
- Le cas échéant, retirer le filtre d'eau et appuyer sur [ START I STOP ].
- Verser de l'eau tiède dans le réservoir d'eau jusqu'au repère «0,5l» et dissoudre 1 pastille de détartrage Thermador 00311823.

### Remarque :

si la solution de détartrage se trouvant dans le réservoir d'eau est insuffisante, un message correspondant est émis. Remplir d'eau plate et appuyer de nouveau sur [ START I STOP ].

- Retirer le tube d'aspiration du réservoir à lait, l'essuyer, puis insérer l'extrémité du tube d'aspiration dans le trou du réservoir à marc.
- Fermer la porte de l'appareil.
- Placer un récipient d'une contenance de 0,5 l sous la buse d'écoulement.
- Appuyer sur [ START I STOP ].

Le programme dure maintenant 19 minutes environ.

- Retirer le récipient et appuyer sur [ START I STOP ].
- Rincer le réservoir d'eau et remettre le filtre à eau en place (s'il a été préalablement retiré).
- Remplir le réservoir d'eau fraîche jusqu'au repère «max».

- Remettre le réservoir d'eau en place et refermer la porte.
- Placer de nouveau le récipient sous la buse d'écoulement.

- Appuyer sur [ START I STOP ].

Le programme dure maintenant environ 7 minutes et rince la machine.

- Enlever le récipient, vider les bacs collecteurs et les remettre en place, fermer enfin la porte de l'appareil.
- Appuyer sur [ START I STOP ]. La machine est à présent détartrée, nettoyée et de nouveau prête à fonctionner.
- Appuyer sur [ CLEAN ] pour quitter le programme.

## Rinçage spécial

### CONSIGNE :

si l'un des programmes de maintenance a été interrompu, p.ex. suite à une coupure de courant, procéder comme indiqué ci-après :

- Rincer le réservoir d'eau et le remplir d'eau fraîche jusqu'au repère «max».
- Appuyer sur [ START I STOP ]. Le programme dure maintenant environ 2 minutes et rince la machine.
- Vider les bacs collecteurs, les remettre en place et fermer la porte de l'appareil. La machine est de nouveau prête à fonctionner.
- Appuyer sur [ CLEAN ] pour quitter le programme.

## Conseils pour économiser l'énergie

- Actionner [ ON I OFF ] permet de mettre l'appareil en mode Eco. En mode Eco, la machine consomme très peu d'énergie, mais surveille toutes les fonctions relatives à la sécurité afin d'éviter tout dommage.
- Régler l'arrêt automatique de la machine sur 15 minutes dans le menu « Éteindre après ».
- Dans le menu, réduire la luminosité de l'écran et de l'éclairage pour économiser de l'énergie.
- Dans la mesure du possible, ne jamais interrompre la production de café ou de mousse de lait. Une interruption anticipée provoque une consommation d'énergie supérieure ainsi que le remplissage plus rapide du bac collecteur.
- Détartrer régulièrement l'appareil pour prévenir les dépôts de tartre. Les dépôts de tartre augmentent la consommation d'énergie.

## Protection contre le gel

Pour prévenir les dommages provoqués par le gel pendant le transport et le stockage, il faut préalablement vider entièrement l'appareil (voir section « Sécurité de transport » dans le chapitre « Menu »).

## Rangement des accessoires

La machine à espresso automatique possède un tiroir à accessoires permettant de ranger le notice succincte et les accessoires directement dans l'appareil.

- Ranger la cuillère-dose ainsi que le filtre d'eau dans le tiroir à accessoires.
- Insérer le notice succincte dans le guidage spécial situé devant, dans le tiroir à accessoires.
- Le tube d'aspiration long peut être conservé dans le support situé sur la face intérieure de la porte (Image **D**).
- La pièce de liaison peut être fixée sur le support magnétique situé au-dessus du tiroir à café.

## Accessoires

Les accessoires suivants sont disponibles dans auprès du service après-vente :

Accessoires	Référence Service après-vente
Pastilles de nettoyage	00311820
Pastilles de détartrage	00311823
Filtre à eau	12008246
Réservoir à lait avec couvercle « FreshLock »	11005967
Limites de l'angle d'ouverture 92°	00636455

## Mise au rebut



Veillez vous renseigner auprès de votre municipalité pour connaître les différentes options de mise au rebut qui s'offrent à vous.

Tous droits réservés.



## Dépannage de problèmes simples

Le tableau suivant propose des solutions aux problèmes qui peuvent survenir durant l'utilisation de votre machine Bosch. Si vous ne trouvez pas de solution à votre problème en particulier, ou si votre problème persiste après réparation, veuillez contacter le service après-vente 1-800-944-2904.

Problème	Cause	Remède
La qualité du café ou de la mousse de lait varie fortement (variation de la quantité ou projection de mousse de lait).	L'appareil est entartré.	Détartrer l'appareil conformément aux instructions, voir chapitre « Programmes de maintenance ».
	Le tube d'aspiration est obturé.	Nettoyer le tube d'aspiration.
Aucune préparation de boisson possible.	La buse d'écoulement ou l'un des 3 raccords est obturé.	Nettoyer la buse d'écoulement et les raccords.
Lors de la préparation, la boisson sort de l'écoulement tout entier.	La partie inférieure de l'écoulement manque.	Monter la partie inférieure, voir chapitre « Nettoyage du système à lait ».
La boisson présente trop peu de mousse ou pas de mousse, ou le système à lait n'aspire pas le lait.	L'appareil est entartré.	Détartrer l'appareil conformément aux instructions, voir chapitre « Programmes de maintenance ».
	La buse d'écoulement ou l'un des 3 raccords est obturé.	Nettoyer la buse d'écoulement et les raccords.
	Le lait ne convient pas.	Ne pas utiliser du lait déjà chaud. Utiliser du lait froid avec une teneur en matières grasses de 1,5 % minimum.
	La buse d'écoulement ou les tuyaux à lait ne sont pas assemblés correctement.	Humecter les différentes pièces et les assembler à nouveau.
	Le tube d'aspiration est obturé.	Nettoyer le tube d'aspiration.
La machine n'a pas versé la quantité réglée pour la tasse, le café coule goutte à goutte uniquement ou ne coule plus du tout.	La mouture est trop fine. Le café moulu est trop fin.	Régler une mouture moins fine. Utiliser un café en poudre moins fin.
	L'appareil est fortement entartré.	Détartrer l'appareil conformément aux instructions, voir chapitre « Programmes de maintenance ».
	L'unité de percolation est sale.	Nettoyer l'unité de percolation, voir chapitre « Nettoyage de l'unité de percolation ».

Problème	Cause	Remède
L'eau chaude est laiteuse ou a le goût du lait ou du café.	Le tuyau à lait n'a pas été retiré.	Retirer le tuyau à lait du réservoir à lait.
	Des résidus de lait ou de café se trouvent au niveau de la buse.	Nettoyer la buse d'écoulement.
Le café ne présente pas de « crème ».	La variété de café est inadéquate.	Utiliser un café avec une proportion plus importante de Robusta.
	Les grains ne sont pas fraîchement torréfiés.	Utiliser des grains fraîchement torréfiés.
	Le degré de mouture n'est pas adapté aux grains de café.	Régler une mouture plus fine.
Le café est trop « acide ».	La mouture est trop grossière. Le café moulu est trop grossier.	Régler une mouture plus fine. Utiliser une poudre de café plus fine.
	La variété de café est inadéquate.	Changer de variété de café.
Le café est trop « amer ».	La mouture est trop fine. Le café moulu est trop fin.	Régler une mouture moins fine. Utiliser un café en poudre moins fin.
	La variété de café est inadéquate.	Changer de variété de café.
Le café a un goût de « brûlé ».	La température de percolation est trop élevée.	Réduire la température, voir chapitre « Adaptation des boissons ».
	La mouture est trop fine. Le café moulu est trop fin.	Régler une mouture moins fine. Utiliser un café en poudre moins fin.
	La variété de café est inadéquate.	Changer de variété de café.
Le café n'est pas assez corsé.	L'intensité du café choisie est trop faible.	Augmenter l'intensité du café, voir chapitre « Adaptation des boissons ».
	Le café est bourré dans le tiroir à café.	Retirer le tiroir à café, le nettoyer et le sécher minutieusement.
Le café en poudre reste coincé dans le tiroir à café.	Le café en poudre colle.	Ne pas tasser le café en poudre dans le tiroir à café.
	Le tiroir à café est humide.	Retirer le tiroir à café, le nettoyer et le sécher minutieusement.
Le filtre à eau ne tient pas dans le réservoir d'eau.	Le filtre à eau n'est pas fixé correctement.	Placer le filtre à eau bien droit et appuyer fortement pour l'enfoncer dans le réservoir.

Problème	Cause	Remède
Le réservoir pour café en grains coince lors de sa mise en place.	Des grains se trouvent dans le corps de l'appareil.	Retirer les grains de café.
Le marc de café n'est pas compact et est trop humide.	La mouture est trop fine ou trop grossière ou bien la quantité de café moulu utilisée est insuffisante.	Régler la mouture plus grossière ou plus fine ou bien utiliser 2 cuillères-doses de café moulu bien rases.
Le réglage de la finesse de mouture ne fonctionne pas aisément.	Il y a trop de grains de café dans le moulin.	Préparer une boisson à partir de café en grains. Effectuer les modifications du degré de mouture par petites étapes.
L'unité de percolation ne peut pas être mise en place.	L'unité de percolation est en mauvaise position.	Insérer l'unité de percolation conformément aux instructions, voir chapitre « Nettoyage de l'unité de percolation ».
	L'unité de percolation est verrouillée.	Déverrouiller l'unité de percolation, voir chapitre « Nettoyage de l'unité de percolation ».
Le couvercle de protection de l'unité de percolation ne peut pas être mis en place correctement.	L'unité de percolation n'est pas verrouillée.	Verrouiller l'unité de percolation, voir chapitre « Nettoyage de l'unité de percolation ».
Il y a de l'eau sous le bac collecteur.	Il s'agit d'eau de condensation.	Ne pas insérer le bac collecteur sans couvercle.
Message affiché à l'écran « 12:00 ».	Panne d'électricité ou alimentation de l'appareil coupée par actionnement de l'interrupteur.	Saisir à nouveau les valeurs, ne pas désactiver l'appareil en actionnant l'interrupteur ou sélectionner « Désactivée » dans le menu Affichage de l'heure
Message affiché à l'écran « Récipient à lait raccordé ? » alors que le réservoir à lait est raccordé.	Le réservoir se trouve hors de la portée de la sonde.	Positionner le réservoir sur le côté droit.
	Le matériel (brique de lait, p. ex.) n'est pas reconnu.	Confirmer la question apparaissant à l'écran en appuyant sur « Oui » ou utiliser le réservoir à lait joint.
Message affiché à l'écran « Surtension ou sous-tension ».	Tension de secteur trop élevée ou trop faible.	Contacteur le fournisseur d'énergie ou l'opérateur du réseau. Faire contrôler l'alimentation électrique par un électricien qualifié.
Message affiché à l'écran « Laisser refroidir l'appareil ».	L'appareil est trop chaud.	Éteindre l'appareil pendant 30 minutes.

Problème	Cause	Remède
Message affiché à l'écran, par exemple : « Erreur : E0510 »	Une défaillance s'est produite dans la machine.	Procéder comme décrit à l'écran.
Message affiché à l'écran « Remplissez le récipient à grains » alors que le réservoir pour café en grains est plein ou que le moulin ne parvient pas à moudre les grains.	Les grains ne tombent pas dans le moulin (grains trop gras).	Taper légèrement sur le réservoir de grains. Changer éventuellement de variété de café. Une fois le réservoir pour café en grains vidé, l'essuyer avec un chiffon sec.
Message affiché à l'écran « Nettoyez l'unité de percolation ».	L'unité de percolation est encrassée.	Nettoyer l'unité de percolation.
	Il y a trop de café dans l'unité de percolation.	Nettoyer l'unité de percolation. Mettre au maximum 2 cuillères-doses rases de café en poudre.
	Le mécanisme de l'unité de percolation ne fonctionne pas aisément.	Nettoyer l'unité de percolation, voir chapitre « Entretien et nettoyage quotidiens ».
Message affiché à l'écran « Remplissez d'eau plate ou retirez le filtre ».	Le réservoir d'eau est mal inséré.	Mettre le réservoir d'eau correctement en place.
	Le réservoir d'eau contient de l'eau gazeuse.	Remplir le réservoir d'eau avec de l'eau fraîche du robinet.
	Le flotteur qui se trouve dans le réservoir d'eau est grippé.	Retirer le réservoir et le nettoyer minutieusement.
	Nouveau filtre à eau rincé de façon non conforme aux instructions ou filtre à eau usé ou défectueux.	Rincer le filtre à eau conformément aux instructions et le remettre en service ou bien utiliser un nouveau filtre à eau.
	De l'air se trouve dans le filtre d'eau.	Plonger le filtre à eau dans l'eau jusqu'à ce que plus aucune bulle ne survienne et remettre le filtre en place.
	Message affiché à l'écran « Videz les plateaux d'égouttage » alors que le bac collecteur est déjà vide.	Le bac collecteur est encrassé et humide.
La vidange n'est pas reconnue si l'appareil est éteint.		Retirer le bac collecteur et le remettre à sa place lorsque l'appareil est allumé.
Message affiché à l'écran « Insérez les plateaux d'égouttage » malgré la présence de la cuvette d'égouttage.	L'intérieur de l'appareil (logement des récipients) est sale.	Nettoyer l'intérieur de l'appareil.
	Le réservoir à marc n'est pas inséré jusqu'à la butée.	Insérer le réservoir à marc jusqu'à la butée.

Problème	Cause	Remède
Des gouttes d'eau surviennent sur le fond intérieur de la machine lorsque le bac collecteur a été retiré.	Le bac collecteur a été retiré trop tôt.	Retirer le bac collecteur quelques secondes après avoir préparé la dernière boisson.
Message affiché à l'écran « Éteignez l'appareil puis rallumez-le après 30 s ! ».	Appareil trop chaud.	Laisser l'appareil refroidir.
	Unité de percolation sale.	Nettoyer l'unité de percolation.

## Données techniques

Raccordement électrique avec un transformateur de type 8001007072 (tension – fréquence)	120 V AC – 60 Hz
Puissance de chauffe	1600 W
Pression statique maximale de la pompe	19 bar
Contenance maximale du réservoir d'eau (sans filtre)	81.15 oz (2.4 l)
Contenance maximale du réservoir pour café en grains	17.64 oz (500 g)
Longueur du cordon d'alimentation (Prise d'alimentation – transformateur)	39" (1 m)
Dimensions (appareil sans transformateur) H x L x P	17.91 x 23.46 x 14.76" (455 x 596 x 375 mm)
Poids, à vide (appareil sans transformateur)	42-44 lb (19-20 kg)
Dimensions (uniquement transformateur) H x L x P	8.26 x 6.77 x 7.80" (210 x 172 x 198 mm)
Poids (uniquement transformateur)	27.55 lb (12.5 kg)
Type de moulin	Céramique

# Garantie

## DÉCLARATION DE GARANTIE LIMITÉE

**Objet et bénéficiaire de la garantie :** La garantie limitée offerte par BSH Home Appliances (“Thermador”) dans les présentes ne concerne que le produit par Thermador vendu au premier acquéreur et utilisateur, à condition qu’il ait été acheté selon les conditions suivantes : 1) il était destiné à une utilisation domestique (non commerciale) normale, et il n’a été en fait utilisé qu’à de telles fins ; 2) il a été vendu à l’état neuf par un détaillant (et non à titre de démonstrateur, en l’état ou en tant que modèle retourné), et il n’était pas destiné à la revente ou à une utilisation commerciale ; 3) il a été vendu au Canada ou aux États-Unis et n’a jamais été sorti du pays où il a été acheté. La garantie ne s’applique qu’au premier acquéreur et n’est donc pas cessible.

N’omettez pas de nous renvoyer la carte d’enregistrement. Même si ce n’est pas obligatoire pour bénéficier de la garantie, c’est le meilleur moyen pour Thermador de vous aviser dans le cas peu probable où le Produit ferait l’objet d’un avis de sécurité ou d’un rappel.

**Durée de la garantie :** Thermador garantit que le Produit est exempt de tout vice de matériau ou de fabrication pendant une période de trois cent soixante-cinq (365) jours à compter de la date d’achat. Cette période commence à la date de l’achat, et elle n’est ni reportée, ni prorogée, ni suspendue pour aucun motif. Ce produit est également garanti comme étant exempt de défauts cosmétiques au niveau des matériaux et de la fabrication (comme des égratignures sur l’acier inoxydable, des imperfections de peinture/porcelaine, des éclats, des bosses ou autres dommages à la finition du produit), pour une période de trente (30) jours à partir de la date d’achat ou de la date d’achèvement pour une nouvelle construction. Cette garantie cosmétique exclut les variations légères de couleur causées par les différences inhérentes entre les sections peintes et les sections en porcelaine, de même que les différences causées par l’éclairage de la cuisine, l’emplacement du produit et autres facteurs similaires. Cette garantie cosmétique exclut spécifiquement tous les appareils d’exposition, de plancher, “tel quel” et remis à neuf.

**Réparation ou remplacement – votre seul recours –** Pendant la durée de validité de la garantie, Thermador ou l’un de ses fournisseurs de service autorisés répare votre Produit sans vous imputer de frais (sous réserve de certaines limites énoncées dans les présentes) si votre Produit s’avère comporter des vices de matériau ou de fabrication. Si des tentatives raisonnables de réparer le Produit n’ont donné aucun résultat, Thermador le remplace (ou vous fournit, à son gré et à frais en sus, un modèle de meilleure qualité). Les pièces et composants retirées deviennent la propriété de Thermador à son seul gré. Les pièces remplacées ou réparées deviennent des pièces d’origine aux fins de la garantie, et la garantie n’est pas prolongée à leur égard. La responsabilité de Thermador en vertu de la garantie consiste à faire réparer le Produit comportant un vice de fabrication par un fournisseur de services agréé et pendant des heures de travail normales. Pour éviter les atteintes à la sécurité ou les dommages matériels, Thermador vous recommande instamment de ne pas réparer vous-même le Produit et de ne pas faire affaire à un fournisseur de services qui n’est pas agréé. Thermador n’assume aucune responsabilité à l’égard de réparations ou d’interventions qui sont le fait d’un fournisseur de services non agréé.

Si vous décidez de confier le Produit à un fournisseur de services qui n’est pas agréé, la GARANTIE DEVIENT AUTOMATIQUEMENT CADUQUE. Les fournisseurs de services agréés sont les personnes ou entreprises qui ont reçu une formation spéciale sur les produits de Thermador et qui possèdent, de l’avis de Thermador, la réputation d’offrir un service de qualité supérieure et de posséder l’aptitude technique nécessaire. (Ces fournisseurs sont toutefois des entités indépendantes et non des agents, partenaires, affiliés ou représentants de Thermador.)

En dépit de ce qui précède, Thermador n’assume aucune responsabilité à l’égard d’un Produit qui se trouve à un endroit isolé (à plus de 160 km d’un fournisseur de services agréé) ou à un endroit où dans un milieu raisonnablement inaccessible, dangereux, menaçant ou périlleux, auquel cas, à votre demande, Thermador règle les frais de main-d’œuvre et de pièces et envoie les pièces au fournisseur de services agréé le plus proche. Vous êtes toutefois entièrement responsable des déplacements ou autres frais spéciaux perçus par le fournisseur de services s’il accepte de se rendre à votre domicile.

**Expiration de la garantie :** Thermador n'est pas tenue, légalement ou autrement, de vous offrir des concessions telles que des réparations, des devis ou des produits de rechange après que la garantie soit arrivée à expiration.

**Exclusions :** La garantie énoncée dans les présentes exclut les défauts ou dégâts qui ne sont pas causés par une défaillance de Thermador, y compris, sans limitation, l'un ou l'autre des éléments suivants : 1) l'utilisation du Produit à une fin différente de celle qui est normale, habituelle et prévue (y compris, sans limitation, toute forme d'utilisation commerciale, d'emploi ou d'entreposage à l'extérieur d'un produit censé demeurer à l'intérieur, l'utilisation du Produit dans un aéronef ou un bateau); 2) l'inconduite, la négligence, la mauvaise utilisation, le mésusage, les accidents, la négligence, le fonctionnement incorrect, le manque d'entretien, l'installation incorrecte ou négligente, le non-respect de la notice d'emploi, la mauvaise manipulation, le service non autorisé (y compris le dépannage ou l'exploration des organes internes de l'appareil); 3) un réglage ou une modification de tout genre; 4) le non-respect des codes de plomberie ou du bâtiment, des règlements ou des lois applicables de la municipalité, de la province, du territoire ou du pays, notamment le défaut d'installer le Produit en stricte conformité avec les codes et règlements locaux concernant les incendies et la construction; 5) l'usure normale, l'infiltration d'aliments ou de liquides, l'accumulation de graisse ou d'autres substances pouvant autour ou à l'intérieur du Produit; 6) les facteurs ou forces externes, climatiques et/ou environnementaux, y compris sans limitation la pluie, le vent, les inondations, les incendies, les glissements de terrain, le gel, l'humidité excessive ou l'exposition prolongée à l'humidité, la foudre, les sautes de puissance, les défauts structurels autour de l'appareil et les désastres naturels. Thermador ne saurait en aucun cas être tenue responsable des dommages aux biens environnants, y compris les placards, portes, plafonds et autres structures ou objets autour du Produit. La garantie ne couvre pas non plus les Produits dont le numéro de série a été modifié, effacé ou ôté, les visites de techniciens visant à vous enseigner à utiliser le Produit, les visites de techniciens qui ne révèlent aucune défektivité du Produit, la rectification de problèmes d'installation (vous êtes entièrement responsable de la structure et de l'installation du Produit, ainsi que des connexions électriques, de plomberie ou autres, de la suffisance de la base ou du plancher et de toute modification, y compris sans limitation les placards, murs, planchers, étagères, etc.), ainsi que le réarmement des disjoncteurs ou des fusibles.

**Dans la limite où la loi le permet, cette garantie énonce vos recours exclusifs à l'égard du Produit, que la réclamation existe en droit contractuel ou délictuel (y compris la responsabilité stricte ou la négligence) ou autrement. La présente garantie se substitue à toute autre garantie explicite ou implicite. Toute garantie légale implicite de valeur marchande ou d'aptitude à une fin particulière ou autre n'est en vigueur que pendant la période de validité de la garantie limitée. Le fabricant n'est aucunement responsable des dommages, pertes ou frais consécutifs, spéciaux, indirects, de perte de bénéfices ou punitifs, y compris sans limitation les absences du travail, l'hébergement et les repas ou les frais de remise en état qui dépassent le montant des dommages directs définitivement et exclusivement causés par Thermador ou autrement. Certains territoires de compétence n'autorisent pas l'exclusion ou la limitation des dommages indirects ou consécutifs ou la limitation de la durée de la garantie, et les restrictions ci-dessus ne s'appliqueront donc peut-être pas dans votre cas. La présente garantie vous confère des droits spécifiques, mais vous pouvez également avoir d'autres droits selon l'endroit où vous résidez.**

Aucune modification de la présente garantie n'est valable à moins d'avoir été autorisée par écrit par un dirigeant de BSH.

**Service de la garantie :** Pour des informations concernant la garantie de votre produit, contactez la hotline

Produit fabriqué par

**BSH Home Appliances Corporation**

1901 Main Street, Suite 600

Irvine, CA 92614

## Índice

Precauciones importantes de seguridad ...	70
Lista de partes incluidas .....	73
Panorama general .....	74
Elementos de mando.....	75
Puesta en marcha.....	76
Pantalla .....	77
Preparación de las bebidas .....	78
Preparación con café en grano.....	80
Preparación con leche .....	81
Preparación con café molido .....	82
Dispensado de agua caliente .....	82
Bebidas personalizadas.....	83
Preparación de dos tazas al mismo tiempo.....	84
Ajuste del grado de molido .....	84
Seguro a prueba de niños .....	85
Menú .....	85
Cuidado y limpieza diaria.....	87
Programas de mantenimiento.....	91
Recomendaciones para ahorrar energía...	94
Protección anticongelante.....	94
Conservación de accesorios.....	94
Accesorios.....	95
Eliminación.....	95
Especificaciones técnicas.....	95
Resolución de algunos problemas sencillos .....	96
Garantía.....	100

Este aparato Thermador es fabricado por  
BSH Home Appliances Corporation  
1901 Main Street, Suite 600  
Irvine, CA 92614

¿Tiene preguntas?  
1-800-944-2904

**[www.thermador.com](http://www.thermador.com)**

¡Esperamos tener noticias tuyas pronto!



## Cómo utilizar el presente manual de instrucciones

En las primeras páginas encontrará imágenes de la cafetera con números a los que se hace referencia en estas instrucciones.

Ejemplo: unidad de preparación (15)

Las indicaciones de la pantalla y los símbolos también se representan de manera especial en las presentes instrucciones.

Así podrá reconocer si se trata de textos o símbolos que se visualizan en la cafetera o están impresos en la misma.

Indicaciones de la pantalla:

«Latte Macchiato»



Teclas y mandos: [ START | STOP ]



Para facilitar la consulta, la máquina se suministra con un manual de instrucciones breve en el que se resumen las funciones más importantes. Este se puede guardar en el cajón de accesorios de la máquina.

**Ponga atención especial a las instrucciones importantes de seguridad en la sección «Precauciones importantes de seguridad».**

## Definiciones de seguridad

### **ADVERTENCIA**

Esto indica que pueden producirse heridas graves o incluso la muerte si no se cumple con esta advertencia.

### **PRECAUCIÓN:**

Esto indica que pueden producirse heridas leves o moderadas si no se cumple con esta advertencia.

### **ATENCIÓN:**

Esto indica que pueden producirse daños en el aparato o en los bienes si no se cumple con este aviso.

### **Nota:**

Esto alerta sobre información y/o sugerencias importantes.

# PRECAUCIONES IMPORTANTES DE SEGURIDAD LEA Y CONSERVE ESTAS INSTRUCCIONES

---

**Al utilizar aparatos de cocina, deben seguirse precauciones de seguridad básicas, entre las que se encuentran las siguientes:**

1. Por favor lea y siga las instrucciones de operación cuidadosamente y consérvelas para su consulta posterior. Si la unidad es transferida a otro propietario, por favor asegúrese de incluir estas instrucciones.
2. No toque las superficies calientes. Utilice agarraderas o perillas.
3. Asegúrese de que todos los componentes están ensamblados y sujetados apropiadamente.
4. Para protegerse contra incendios, descargas eléctricas y lesiones personales, no sumerja los cables, enchufes o el cuerpo del aparato en el agua o en ningún otro líquido. Vea el manual de uso y cuidados para limpieza.
5. Es necesario supervisar atentamente a los niños cuando se use el aparato en su presencia.
6. Desenchufe del tomacorriente cuando no se use y antes de limpiarlo. Permita que se enfríe el aparato antes de colocar partes sobre él o retirarlas, y antes de limpiarlo.
7. No opere el aparato con un cable o enchufe dañado ni después de que el aparato presente un mal funcionamiento o si el aparato se ha dañado de cualquier otra forma. Regrese el aparato a la instalación de servicio autorizado más cercana para su examen, reparación o ajuste.
8. El uso de accesorios o aditamentos no recomendados por el fabricante del aparato pueden ocasionar incendio, descarga eléctrica o lesiones personales.
9. No lo use en exteriores o en áreas húmedas.
10. No permita que el cable de alimentación cuelgue sobre el borde de la mesa o mostrador, ni que toque superficies calientes.
11. No coloque la unidad o los componentes sobre o cerca de un a estufa u hornilla o en un horno.
12. Siempre conecte primero el enchufe al aparato y luego conecte el cable al tomacorriente de la pared. Para desconectar, ponga en «off» cualquier control, luego saque el enchufe del tomacorriente de la pared.
13. No use el aparato para ningún otro propósito que el indicado.
14. ¡Conserve estas instrucciones!

# PRECAUCIONES IMPORTANTES DE SEGURIDAD LEA Y CONSERVE ESTAS INSTRUCCIONES

## ADVERTENCIA

**Advertencias en virtud de la Proposición 65 del estado de California:**  
Este producto contiene sustancias químicas que el estado de California sabe que provocan cáncer, defectos congénitos u otro daño reproductivo.

## **!** IMPORTANTE

**Este aparato está diseñado para uso doméstico, y no para uso comercial.**  
Utilice únicamente en interiores y a temperatura ambiente. No use a más de 6560 pies / 2000 metros de altura sobre el nivel del mar. Proteja su cafetera contra la congelación o se dañará.  
Supervise a los niños para asegurarse que no jueguen con el aparato.

## ADVERTENCIA

### **¡Peligro de incendio y descarga eléctrica!** **Instalación**

Conecte y opere el aparato solamente conforme a los datos de la placa de características.  
Utilice únicamente con un transformador que esté identificado como Tipo 8001007072.  
No conecte el aparato ni lo haga funcionar mediante un interruptor temporizador o de un tomacorriente con control remoto.  
La unidad no debe ser operada con un cable de extensión.  
Opere únicamente cuando el cable de alimentación y el dispositivo no muestren señales de daño.  
En caso de errores, desenchufar inmediatamente o desconectar de la alimentación.  
No sumergir nunca el aparato en agua.

### **Conexión a tierra**

El aparato debe ser conectado únicamente a una alimentación eléctrica con corriente alterna a través de un tomacorriente instalado correctamente con tierra física.

### **Reparaciones**

Las reparaciones en el aparato deben ser realizadas sólo por nuestro servicio al cliente para evitar peligros.  
Si el cable de conexión a la red de este aparato resulta dañado, debe sustituirse por un cable de conexión especial, que puede adquirirse en su servicio de asistencia técnica.

# PRECAUCIONES IMPORTANTES DE SEGURIDAD LEA Y CONSERVE ESTAS INSTRUCCIONES

## PRECAUCIÓN:

### **Para evitar el riesgo de escaldaduras:**

Tenga en cuenta que las bebidas están muy calientes cuando son dispensadas. ¡No use agua suavizada químicamente!

### **Para evitar riesgo de sofocación:**

Nunca deje que los niños jueguen con el material de empaque. Almacene las partes pequeñas con seguridad, ya que estas pueden ser tragadas fácilmente.

### **Para evitar el riesgo de lesiones:**

Mantenga las tabletas para eliminar el sarro fuera del alcance de los niños.

Mantenga a los niños alejados del aparato y del cable de energía eléctrica.

No meta las manos dentro de la unidad de molido. Tenga cuidado de que no machucar sus dedos cuando cierre la puerta. Un uso erróneo del aparato puede causar lesiones.

### **Para evitar riesgo de quemaduras:**

La salida de la bebida alcanza una alta temperatura. Después de usarlo, permita que se enfríe antes de tocarlo. Después de usarlo, las superficies con resistencias y la placa de calentamiento pueden retener calor. Espere hasta que se enfríe antes de tocar el aparato.

## PRECAUCIÓN:

### **Para evitar el riesgo de influencia en implantes electrónicos:**

El aparato contiene imanes permanentes que pueden influir en implantes electrónicos, tales como marcapasos o bombas de insulina. Los portadores de implantes electrónicos deben mantener una distancia mínima de 4 pulgadas respecto a la parte frontal del aparato y, en la toma, respecto a las piezas siguientes: recipiente de leche, sistema de leche, depósito de agua y unidad de preparación.

---

## Lista de partes incluidas

(Ver fig. A)

- a** Cafetera automática
- b** Instrucciones de uso
- c** Instrucciones breves
- d** Cuchara dosificadora
- e** Tira de prueba de dureza del agua
- f** Tubo para leche (juego)
- g** Recipiente para leche
- h** Tubo de aspiración

---

## Felicidades ...

... por haber adquirido esta cafetera automática. Acaba de adquirir un aparato de cocina moderno y de gran calidad, que combina una tecnología innovadora con un sinnúmero de funciones y confort de manejo. La máquina le permitirá preparar con rapidez y sencillez deliciosas bebidas calientes: un reconstituyente café solo, un cremoso capuchino, un sabroso Latte Macchiato o café con leche, o simplemente la tradicional taza de café. La máquina le ofrece además numerosas posibilidades para adaptarla a sus gustos y necesidades.

Para poder utilizar con seguridad y sin problemas todas las funciones y posibilidades que la cafetera automática le ofrece, le aconsejamos que se familiarice primero con sus componentes, funciones, mensajes y mandos. El presente manual de instrucciones le será de gran ayuda a tal fin. Tómese el tiempo necesario para leerlo antes de utilizar la máquina.

## Panorama general

(Figuras de la **B** a la **E** en las páginas que se desdoblán)

- 1 Puerta del aparato
  - a) Tirador embutido  
(para ángulo de apertura de puerta)
  - b) Bandeja escurridora
- 2 Pantalla
- 3 Panel de mando
- 4 Dispensador de bebidas  
(café, leche, agua caliente),  
de altura regulable
  - a) Tapa
- 5 Sistema de la leche
  - a) Palanca de cierre
  - b) Salida de bebidas  
(parte superior, parte inferior)
  - c) Tubo para la leche (2 piezas)
  - d) Elemento de unión, metal  
(para soporte magnético)
- 6 Interruptor de encendido [ O/I ]  
(alimentación eléctrica)
- 7 Cajón de accesorios  
(para las instrucciones breves  
y accesorios)
  - a) Instrucciones breves
  - b) Cuchara dosificadora
  - c) Tira de prueba de dureza del agua
  - d) Tubo para leche (juego)
- 8 Depósito de agua vacío, extraíble
  - a) Tapa del depósito de agua
- 9 Recipiente de granos de café, extraíble
  - a) Tapa para recipiente de  
granos de café
- 10 Control deslizante para ajuste del  
grado de molido
- 11 Soporte magnético  
(para elemento de unión)
- 12 Cajón para el café molido, extraíble  
(café molido/pastillas de limpieza)
- 13 Soporte (para tubo para la leche)
- 14 Tapa protectora  
(para unidad de preparación)
- 15 Unidad de preparación
  - a) Cierre
  - b) Tapa
- 16 Palanca de expulsión
- 17 Bandeja de goteo, retirable
  - a) Cubierta de la bandeja de goteo
  - b) Recipiente para los posos de café
- 18 Bandeja de recogida
- 19 Sujeción (para tubo de aspiración)
  - a) Tubo de aspiración
- 20 Placa de características (N.º de ref.; FD)
- 21 Estante con sensor  
(para recipiente de leche)
- 22 Recipiente para leche
  - a) Recipiente de acero inoxidable
  - b) Cubierta, parte inferior
  - c) Cubierta, parte superior

### Nota:

En las instrucciones de montaje adjuntas se presenta más información sobre la cafetera, por ejemplo, cómo cambiar el ángulo de apertura de la puerta.

## Elementos de mando

Para facilitar el manejo y permitir disfrutar al mismo tiempo de todas las funciones, la máquina tiene un menú de fácil manejo. Dicho menú permite seleccionar con unos pocos pasos un mundo de posibilidades.

### Interruptor de alimentación eléctrica [ O/I ]

El interruptor de encendido [ O/I ] (la puerta tiene que estar abierta) permite encender o apagar completamente la máquina (la alimentación se interrumpe).

### ATENCIÓN:

No accionar el interruptor mientras la máquina esté en funcionamiento. Apagar la máquina sólo cuando esté en el modo de ahorro a fin de que se realice el lavado automático.

### Panel de mando (panel táctil)

Se puede navegar por el panel de mando tocando los símbolos y signos.

Suena una señal acústica. El tono de aviso se puede conectar y desconectar (véase el capítulo «Menú – Tonos teclas»).

### [ ON I OFF ]

Tocando la tecla [ ON I OFF ] se enciende la máquina o pasa al modo de ahorro. Entonces la cafetera ejecuta automáticamente un ciclo de aclarado.

La cafetera no realizará el aclarado si:

- todavía está caliente al encenderla.
- no se ha dispensado café antes de apagarla.

La cafetera está lista para el servicio tan pronto como aparezcan los símbolos para la selección de bebida en la pantalla.

### [ SETTINGS ]

Al tocar [ SETTINGS ] se abre el menú. Este menú permite consultar informaciones y realizar ajustes (véase el capítulo «Menú»).

### [ CLEAN ]

Al tocar [ CLEAN ] se abre una selección de programas de mantenimiento. Ejecutar el programa deseado como se describe en el capítulo «Programas de mantenimiento».

### [ DOUBLE ]

Tocando [ DOUBLE ] tras seleccionar una bebida, se dispensarán dos tazas simultáneamente (véase el capítulo «Preparación de dos tazas al mismo tiempo»).

### [ FAVORITES ]

Al tocar [ FAVORITES ], se abre una selección de «preparación personalizada de las bebidas». Esta función permite guardar y abrir los ajustes personalizados para cafés (véase el capítulo «Bebidas personalizadas»).

### [ START I STOP ]

Al tocar [ START I STOP ], se inicia la preparación de las bebidas o un programa de mantenimiento.

Al volver a tocar [ START I STOP ] durante la preparación de las bebidas, se detiene el dispensado de bebidas antes de tiempo.

### Tecla de navegación «Flechas»

Se puede navegar por la pantalla o cambiar los parámetros pulsando la tecla de navegación con flechas.

### Pantalla

En la pantalla se muestran las bebidas, los ajustes y las informaciones (véase el capítulo «Pantalla»).

## Puesta en marcha

### Observaciones generales

Llenar los recipientes respectivos únicamente con agua limpia y **fría**, sin gas, y sólo con granos de café **tostados**. Evitar el uso de granos glaseados, caramelizados o azucarados, ya que obstruyen la unidad de preparación.



## ADVERTENCIA

La máquina debe instalarse y conectarse de acuerdo con las instrucciones de montaje adjuntas antes de poder encenderla y ponerla en servicio.

### Puesta en funcionamiento de la cafetera

- Retirar las películas protectoras.

#### ATENCIÓN:

Utilizar la cafetera solamente en recintos a salvo de heladas. Si la cafetera ha sido transportada o almacenada a temperaturas inferiores a 32°F, esperar como mínimo 3 horas antes de ponerla en marcha.

- Abrir la puerta de la máquina por medio del tirador embutido.
- Retirar el depósito de agua sacándolo hacia arriba, limpiarlo y llenarlo de agua fría y limpia hasta la marca «max».
- Colocar de nuevo el depósito de agua hasta el tope.
- Extraer el recipiente de granos, llenar con granos de café y colocar de nuevo.
- Colocar el interruptor de encendido en [ I ] y cerrar la puerta de la máquina.

El aparato se aclara y se calienta.

Se activa la pantalla.

Aparece «Programar el idioma deseado».

- Pulsar la flecha [ √ ]. El campo «English» aparece resaltado. El idioma se puede cambiar.
- Seleccionar el idioma deseado con la flecha [ > ].
- Pulsar la flecha [ ^ ]. El campo «Idioma» aparece resaltado.
- Seleccionar «Dureza del agua» con la flecha [ > ].

### Nota:

Es importante ajustar correctamente la dureza del agua para que la cafetera pueda indicar a tiempo el momento en que se debe descalcificar. La dureza del agua está preajustada al nivel 4. Si hay instalado un descalcificador de agua en la casa, por favor, ajuste la dureza del agua al nivel 3. La dureza del agua también se puede consultar a la empresa local de abastecimiento de agua potable.

- Determinar el grado de dureza del agua mediante la tira de prueba adjunta. Sumergir brevemente en el agua la tira de prueba y podrá leer el resultado en 1 minuto.

Nivel	Grado de dureza del agua	
	Alemania (°dH)	Francia (°fH)
1	1-7	1-13
2	8-14	14-25
3	15-21	26-38
4	22-30	39-54

- Pulsar la flecha [ √ ]. El campo «4 (muy dura)» aparece resaltado. La dureza del agua se puede cambiar.
- Ajustar la dureza del agua identificada con la flecha [ < ].
- Pulsar la flecha [ √ ]. Aparece «Completar configuración»
- Pulsar la flecha [ √ ]. Los ajustes se guardan.

La cafetera está lista para el servicio cuando aparecen los símbolos de bebidas en la pantalla.

Al dispensar cada bebida, el ventilador integrado se enciende y se vuelve a apagar después de unos minutos.

### Nota:

Cuando la cafetera se usa por primera vez, tras ejecutar un programa de mantenimiento o si la cafetera ha estado inactiva durante largo tiempo, la primera bebida no tiene aún todo su aroma.



Después de la puesta en funcionamiento de la cafetera automática, sólo se conseguirá una crema consistente y de poros finos de forma permanente después de haber preparado varias tazas de café.

### Apagado del aparato

- Pulsar la tecla [ ON | OFF ].

La máquina realiza una aclarado y pasa al modo de ahorro.

**Excepción:** Si solamente se ha preparado agua caliente, el aparato se apaga sin aclarado.

- Para apagar la máquina por completo, abrir la puerta de la máquina y colocar el interruptor de encendido en [ O ].

### ATENCIÓN:

No accionar el interruptor mientras la máquina esté en funcionamiento.

### Nota:

La cafetera automática está programada de fábrica con los ajustes estándar para lograr un funcionamiento óptimo. Transcurrido el tiempo seleccionado, la cafetera pasa automáticamente al modo de ahorro automático y realiza un aclarado (la duración es ajustable, véase «Desconectar tras» en el capítulo «Menú»).

### Nota:

La máquina está equipada con un sensor. En caso de haber un recipiente de leche, aparecerá la correspondiente indicación en la pantalla al cambiar al modo de ahorro. Si hay leche en el recipiente, por favor conservarla en el frigorífico.

## Pantalla

### Indicador

En la pantalla se visualizan las bebidas, los ajustes y las opciones ajustables, así como la información acerca del estado de funcionamiento.

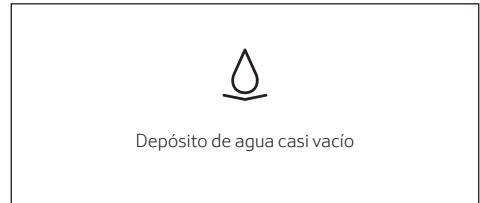
### Ejemplos:

#### Selección de bebida





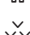



### Informaciones

La información desaparecerá al pulsar una tecla o después de un corto tiempo.



Sin embargo, la información sigue en la parte superior de la pantalla en forma de un pequeño símbolo.

-  Recipiente de granos casi vacío
-  Depósito de agua casi vacío
-  Cambiar filtro de agua
-  Programa de limpieza necesario
-  Programa de descalcificación necesario
-  Programa de Clean & Descale necesario

## Medidas



### Nota:

Una vez realizada la acción necesaria, por ejemplo, llenado del depósito de agua, el mensaje y el símbolo desaparecerán.

## Preparación de las bebidas

Esta cafetera automática puede funcionar con café en grano o con café molido (no café soluble).

Cuando se utiliza café en grano, solamente se muelen los granos necesarios para cada preparación. Conservar el café en grano en un lugar fresco y en envases cerrados para conseguir una calidad óptima.

### Nota:

Calentar previamente la/s taza/s con agua caliente, sobre todo las tazas gruesas para café solo.

### ATENCIÓN:

Llenar el depósito de agua a diario con agua limpia, fría y sin gas. El recipiente deberá tener siempre suficiente agua para que la máquina pueda funcionar.

### Nota:

En algunos ajustes, el café se prepara en dos fases (véanse los capítulos «Aroma Double Shot» y «Preparación de dos tazas al mismo tiempo»). Esperar hasta que el proceso haya concluido completamente.

## Selección de bebida

Pulsando la flecha [ < ] o [ > ] se pueden seleccionar distintas bebidas:

El símbolo de la bebida seleccionada se muestra en el centro. El nombre de la bebida y los valores actuales ajustados, p. ej. la intensidad y cantidad de café, se visualizan en la fila inferior.



## Se pueden seleccionar las siguientes bebidas:

- Ristretto
- Café solo
- Expresso Macchiato
- Café
- Capuchino
- Latte Macchiato
- Café con leche
- Espuma
- Leche caliente
- Agua caliente

La bebida seleccionada puede prepararse directamente con los valores previamente ajustados o adaptarse al gusto individual.

**Adaptación de bebidas**






Pulsando la flecha [∨] aparecen diversos campos en función de la bebida para adaptarla a los gustos individuales.

El campo en el que se pueden modificar los valores aparece resaltado.

**Un ejemplo:**

Los valores para una taza de «Café» pueden modificarse del siguiente modo:

- Con la flecha [ < ] o [ > ], seleccionar «Café».

Café		
<	    	>
Normal   4 oz (mediano)		

- Pulsar la flecha [∨].

Aparecen los campos con los valores predefinidos. El campo activo, p. ej. «Suave» para la intensidad del café, aparece resaltado.

Café		
<	Normal	>
4 oz (mediano)		
Temperatura normal		

- Ajustar la intensidad del café, p. ej. «Fuerte», con la flecha [ < ] o [ > ].
- Pulsar la flecha [∨].

Café		
Fuerte		
<	4 oz (mediano)	>
Temperatura normal		

- Ajustar la cantidad de café deseada, p. ej. «160 ml (grande)», con la flecha [ < ] o [ > ].

- Pulsar la flecha [∨].

Café		
Fuerte		
5 oz (grande)		
<	Temperatura normal	>

- Ajustar la temperatura del café, p. ej. «Temperatura alta» con la flecha [ < ] o [ > ].

Café		
Fuerte		
5 oz (grande)		
<	Temperatura alta	>

- Bien volver al menú de bebidas pulsando la flecha [∧] o bien dispensar la bebida por medio de [ START | STOP ]. Los ajustes se guardan.

**Nota:**

Las posibilidades de ajustes varían en función del tipo de bebida. Por ejemplo, para los cafés se puede ajustar la intensidad del café así como la temperatura y la cantidad, en cambio, para la leche, solo la cantidad.

**Se pueden realizar los siguientes ajustes: Intensidad del café**

Suave  
Normal  
Fuerte  
Muy fuerte  
DoubleShot  
DoubleShot +  
DoubleShot ++

**Nota:**

**Aroma Double Shot**

Cuanto más se prolonga el tiempo de preparación del café, más sustancias amargas y aromas no deseados se despiden. Esto puede afectar al sabor del café y dificultar su digestión. Por eso, la cafetera dispone de una función especial Aroma Double Shot para el café extra fuerte. Una vez preparada la mitad de la cantidad, se vuelve a moler café y se prepara, de manera que sólo se producen olores agradables y aromáticos.

**Nota:**

Cuando se selecciona el volumen de 12 oz (360 ml) o 16 oz (480 ml), no es posible activar la función de Aroma Double Shot.

**Nota:**

La función Aroma Double Shot no está disponible si se utiliza café molido o para el Ristretto y el Cortado.

**Volumen**

La capacidad volumétrica varía en función del tipo de bebida y puede ajustarse en incrementos de «oz» ó «ml». El ajuste de fábrica es en «oz» y puede ser convertido a «ml», véase el capítulo «Menú – unidades de volumen».

**Nota:**

El volumen dispensado puede oscilar dependiendo de la calidad de la leche.

**Temperatura de la bebida**

Valores para los cafés:

Temperatura normal

Temperatura alta

Temperatura muy alta

Valores para agua caliente:

El ajuste de fábrica es en «°F» y puede ser convertido a «°C», véase el capítulo «Menú – formato de temperatura».

160° F (70°C)      té blanco

180° F (80°C)      té verde

200° F (90°C)      té negro

Máx                      té de frutas

**Nota:**

Si no se utiliza la cafetera durante aprox. 30 segundos, la máquina abandona automáticamente del modo de configuración. Los ajustes realizados se guardarán automáticamente.

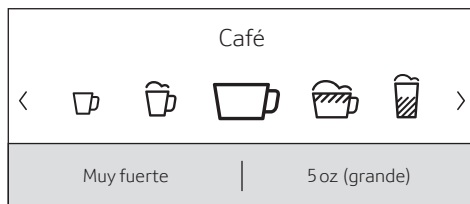
---

## Preparación con café en grano

La cafetera tiene que estar lista para el uso.

- Colocar una taza debajo del dispensador de bebidas.
- Con la flecha [ < ] o [ > ], seleccionar «Ristretto», «Café solo» o «Café».

En la pantalla se visualiza la bebida seleccionada, así como los valores para la intensidad y la cantidad de café para esa bebida.



**Nota:**

Los ajustes se pueden modificar como se describe en el capítulo «Adaptación de bebidas».

- Tocar [ START | STOP ] para iniciar el dispensado de la bebida.

Se prepara el café y, a continuación, se llena la taza.

Es posible detener el dispensado de la bebida antes de tiempo tocando de nuevo [ START | STOP ].

## Preparación con leche

Esta cafetera posee un dispensador de bebidas integrado. El dispensador permite preparar cafés que llevan leche o también espuma y leche caliente.



### PRECAUCIÓN:

#### ¡Riesgo de quemaduras!

La salida de bebida alcanza una alta temperatura. Después de utilizarlo, no lo toque hasta que se haya enfriado.

### Recipiente para leche

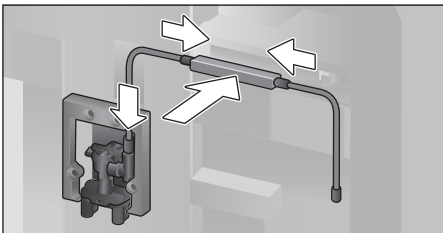
El recipiente para leche ha sido especialmente desarrollado para su uso con esta cafetera automática. Está destinado exclusivamente para el uso doméstico y para almacenar la leche en el frigorífico.

#### ATENCIÓN:

Retirar las tazas o vasos antes de abrir la puerta para evitar que se caigan.

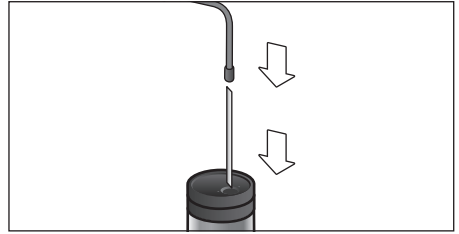
Conectar el recipiente para leche o un cartón de leche:

- Abrir la puerta del aparato.
- Retirar la tapa del dispensador de bebidas hacia delante.
- Conectar y apretar los tubos de goma flexible para la leche y los elementos de unión, tal y como se ilustra.



- Colocar la tapa por delante firmemente sobre el dispensador de bebidas.

- Introducir el tubo de aspiración en el recipiente para leche.



- Cerrar la puerta del aparato.

#### Nota:

Los restos de leche seca son difíciles de eliminar, por lo que es **imprescindible** limpiarlos (véase el capítulo «Limpieza del sistema de leche»).

### Cafés preparados con leche

- Colocar la taza o el vaso debajo del dispensador de bebidas.
- Con la flecha [ < ] o [ > ], seleccionar «Expresso Macchiato», «Capuchino», „Latte Macchiato» o «Café con leche».

En la pantalla se visualiza la bebida seleccionada, así como los valores predefinidos para la intensidad y la cantidad de café para esa bebida.

#### Nota:

Los ajustes se pueden modificar como se describe en el capítulo «Adaptación de bebidas».

- Tocar [ START I STOP ] para iniciar el dispensador de la bebida.

Primero se servirá leche en la taza o vaso. Entonces se prepara el café y, a continuación, se llena la taza o el vaso.

Es posible detener el paso actual del proceso antes de tiempo tocando de nuevo [ START I STOP ].

### Espuma o leche caliente

- Colocar la taza o el vaso debajo del dispensador de bebidas.
- Con la flecha [ < ] o [ > ], seleccionar «Espuma» o «Leche caliente».

**Nota:**

Los ajustes se pueden modificar como se describe en el capítulo «Adaptación de bebidas».

- Tocar [ START I STOP ] para iniciar el dispensado de la bebida.

Primero sale espuma o leche caliente del dispensador de bebidas.

Es posible detener el paso actual del proceso antes de tiempo tocando de nuevo [ START I STOP ].

---

## Preparación con café molido

**Nota:**

Cuando use el café molido, no será posible ajustar la intensidad del café cuando se dispensen dos tazas al mismo tiempo o se dispensen volúmenes grandes (12 oz/360 ml o 16 oz/480 ml). Si aparece el mensaje «Café en polvo incompatible con la cantidad de bebida» por favor seleccione un volumen menor que 12 oz/360 ml.

**ATENCIÓN:**

Retirar las tazas o vasos antes de abrir la puerta para evitar que se caigan.

La cafetera tiene que estar lista para el uso.

- Abrir la puerta del aparato.
- Extraer el cajón para el café molido. El cajón para el café molido debe estar seco.
- Llenar con café molido (como máximo 2 cucharas dosificadoras rasas); no apretar el café.

**ATENCIÓN:**

No llenar con granos sin moler ni con café instantáneo.

- Colocar el cajón para el café molido.
- Cerrar la puerta del aparato. En la pantalla se muestra «Café molido» en lugar de Intensidad del café.

**Nota:**

Si no se prepara café durante 90 segundos, la cámara de preparación se vacía automáticamente para evitar que se llene demasiado. La cafetera ejecuta un ciclo de aclarado.

- Colocar una taza debajo del dispensador de bebidas.
- Con la flecha [ < ] o [ > ], seleccionar un tipo de café con o sin leche.

En la pantalla se visualiza la bebida seleccionada, así como los valores predefinidos para esa bebida.

**Nota:**

Los ajustes se pueden modificar como se describe en el capítulo «Adaptación de bebidas».

**Nota:**

Para los cafés que llevan leche, observar las indicaciones en el capítulo «Preparación con leche».

- Tocar [ START I STOP ] para iniciar el dispensado de la bebida.

Se prepara el café y, a continuación, se llena la taza. En la selección de cafés que llevan leche, primero se dispensa la leche y luego se prepara el café.

**Nota:**

Para otra bebida con café molido, repetir el proceso.

---

## Dispensado de agua caliente



### PRECAUCIÓN:

**¡Riesgo de quemaduras!**

La salida de la bebida alcanza una alta temperatura. Después de utilizarlo, no lo toque hasta que se haya enfriado.

La cafetera tiene que estar lista para el uso.

- Extraer el tubo de goma flexible del recipiente para leche.
- Retirar los restos de leche o café de la salida.
- Colocar la taza o el vaso debajo del dispensador de bebidas.
- Con la flecha [ < ] o [ > ], seleccionar «Agua caliente».

**Nota:**

Los ajustes se pueden modificar como se describe en el capítulo «Adaptación de bebidas».

- Tocar [ START I STOP ] para iniciar el dispensado de la bebida.
- Aparece el mensaje «¿Tubo retirado del recipiente para leche?».
- Si todavía está conectado, extraer el tubo de goma flexible para la leche y pulsar la flecha [ > ].

Sale agua caliente del dispensador.

Es posible detener el proceso antes de tiempo tocando de nuevo [ START I STOP ].

## Bebidas personalizadas

Al tocar [ FAVORITES ] se abre una selección para bebidas personalizadas.

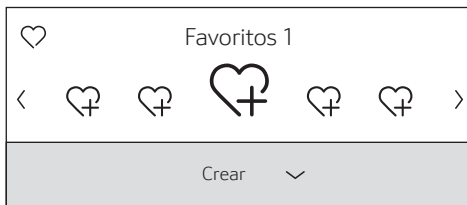
Es posible utilizar hasta 8 posiciones de memoria. La bebidas favoritas que se suelen preparar con frecuencia se pueden memorizar aquí con todos sus ajustes.

**Nota:**

Tocando [ FAVORITES ] es posible salir del menú en cualquier momento sin guardar los ajustes.

**Crear o modificar una bebida**

- Tocar [ FAVORITES ]. Aparece la selección de la posición de memoria.



- Con la flecha [ < ] o [ > ], seleccionar una posición de memoria vacía ☹ para crear una bebida o una posición de memoria ocupada para modificar o eliminar una bebida favorita.
- Seleccionar «Crear» en una posición de memoria vacía o «Modificar» en una posición de memoria ocupada.
- Pulsar la flecha [ > ].

**Nota:**

Si se selecciona «Borrar», se eliminan los ajustes de esa posición de memoria, dejándola de nuevo vacía.

Aparece el menú para el ajuste de las bebidas. La última bebida dispensada se muestra con los últimos ajustes seleccionados.

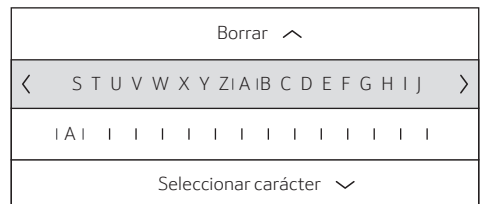
- Si no se desea guardar la última bebida dispensada, seleccionar otra bebida con la flecha [ < ] o [ > ].
- Con la flecha [ > ] o [ < ], seleccionar el ajuste que se desea modificar. Con la flecha [ < ] o [ > ], ajustar los valores a las propias preferencias.

Dependiendo de la selección de la bebida, aparecerán diferentes posibilidades de ajuste.

**Nota:**

Por ejemplo, para los cafés que llevan leche, se podrá ajustar la proporción de café y de leche.

Los ajustes se pueden guardar bajo un nombre individual. Seleccionar «Guardar nombre». Aparece la pantalla para introducir el nombre.



- Con [ < ] se puede salir de la entrada sin haber realizado ningún cambio. Aparece el menú de bebidas.
- Seleccionar una letra o un símbolo en la línea superior por medio de la flecha [ < ] o [ > ].
- Pulsar [ > ] para confirmar la letra seleccionada. Para borrar, seleccionar [ < ] y pulsar [ > ].
- Seleccionar otras letras o símbolos, y confirmar.
- Con [ < ] se guarda la entrada. Aparece el menú de selección.
- Tocar [ FAVORITES ] para salir del menú.

### Selección y dispensado de una bebida personalizada

- Tocar [ FAVORITES ]. Aparece la selección de la posición de memoria.
- Con la flecha [ < ] o [ > ], seleccionar la posición de memoria deseada.
- Colocar la taza o el vaso debajo del dispensador de bebidas.
- Tocar [ START | STOP ] para iniciar el dispensado de la bebida.

### Preparación de dos tazas al mismo tiempo

Tocando [ DOUBLE ] se dispensarán dos tazas de la bebida seleccionada simultáneamente. El ajuste se mostrará mediante el símbolo de una segunda taza y el texto «2x Café solo», por ejemplo.

- Seleccionar la bebida deseada con la flecha [ < ] o [ > ].
- Tocar [ DOUBLE ].
- Colocar dos tazas debajo del dispensador de bebidas, a la izquierda y a la derecha.
- Tocar [ START | STOP ] para iniciar el dispensado de la bebida.

La bebida deseada se prepara y, a continuación, se llenan ambas tazas.

#### Nota:

La bebida se prepara en dos fases (dos procesos de molienda).

Esperar hasta que el proceso haya concluido completamente.

#### Nota:

Cuando se selecciona el volumen de 12 oz (360 ml) o 16 oz (480 ml), no es posible activar la función de preparación de dos tazas al mismo tiempo.

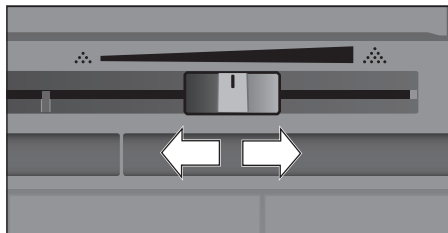
#### Nota:

Para los ajustes «Aroma Double Shot» o «Café molido» no resulta posible el dispensado de dos tazas al mismo tiempo.

### Ajuste del grado de molido

Esta cafetera automática dispone de un molinillo integrado, el cual permite modificar el grado de molido del café a voluntad.

- Abrir la puerta del aparato.
- Para moler el café, seleccionar entre los ajustes de molido fino ☼ y molido grueso ☼, utilizando el control deslizante.



- Cerrar de nuevo la puerta del aparato.

#### Nota:

Con granos de café muy tostados, ajustar un grado de molido más fino; en caso de granos menos tostados, ajustar un grado de molido menos fino.

#### Nota:

Realizar solamente pequeños cambios en el ajuste de molido.

#### Nota:

El nuevo ajuste sólo surte efecto a partir de la segunda taza de café.

#### Nota:

Si se visualiza en la pantalla la información: «Regular el grado de molido para que sea menos fino», significa que el grado de molido de los granos de café es demasiado fino. Ajustar un grado de molido menos fino.



## Seguro a prueba de niños

Se puede bloquear la cafetera para proteger a los niños contra escaldaduras y quemaduras.

- Tocar [ **SETTINGS** ] durante al menos 4 segundos. En la pantalla aparece brevemente «Bloqueo de panel activado».

Ahora ya no es posible el funcionamiento, solamente se puede accionar [ **ON I OFF** ].

- Para desactivar el seguro para niños, tocar [ **SETTINGS** ] durante al menos 4 segundos. En la pantalla aparece brevemente «Bloqueo de panel desactivado».

## Menú

El menú sirve para modificar los ajustes de manera individual, para consultar informaciones o iniciar procesos.

- Abrir el menú tocando [ **SETTINGS** ]. En la pantalla se visualizan las distintas posibilidades de ajuste.

### Navegación por el menú:

Los distintos puntos de menú, p. ej. «Idioma», se seleccionan con la flecha [ < ] o [ > ]. Con [ ✓ ] se visualiza el ajuste, p. ej. «English», y con [ < ] o [ > ] se modifica. Con [ ^ ] se vuelve a salir del ajuste.

Idioma	
Programar el idioma deseado	
<	Español >

### Por ejemplo:

Ajustar el apagado automático de la cafetera a los 15 minutos:

- Tocar [ **SETTINGS** ]. Se abre el menú.
- Con la flecha [ < ] o [ > ] seleccionar «Desconectar tras».
- Pulsar la flecha [ ✓ ].
- Con la flecha [ < ] o [ > ], seleccionar «0h 15min».
- Tocar [ **SETTINGS** ]. Aparece «¿Guardar cambios?».
- Pulsar la flecha [ ✓ ]. El ajuste se guarda.

En la pantalla se visualiza la selección de la bebida.

### Nota:

Tocando [ **SETTINGS** ] es posible salir del menú en cualquier momento. Si tras 30 segundos no se ha realizado ninguna entrada, el menú se cierra automáticamente y los ajustes no se guardan.

### Es posible realizar los siguientes ajustes:

Idioma

Ajuste del idioma en el que se muestran los textos en pantalla.

Dureza del agua

Ajuste de la dureza del agua local. Se puede seleccionar desde el nivel «1 (blanda)» al «4 (muy dura)». El aparato viene ajustado de fábrica al grado de dureza «4 (muy dura)».

### Nota:

Es importante ajustar correctamente la dureza del agua para que la cafetera pueda indicar a tiempo el momento en que se debe descalcificar.

La dureza del agua se puede determinar con las tiras de prueba proporcionadas con el aparato o se puede preguntar en el servicio local de suministro de agua. Seleccionar la opción «Descalcificador» si en la casa está instalado un descalcificador de agua.

Filtro de agua

Cuando se coloca, sustituye o retira un filtro de agua, es necesario realizar el ajuste correspondiente «Activar», «Renovar» o «Retirar» en el menú.

### Nota:

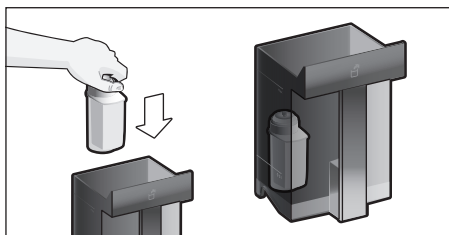
Un filtro de agua reduce los depósitos de cal y las impurezas del agua, y mejora el sabor del café. Puede conseguir filtros en establecimientos comerciales o a través del servicio de asistencia (véase el capítulo «Accesorios»).

Colocar o sustituir el filtro de agua:

Los filtros de agua nuevos se tienen que enjuagar antes del uso.

- Con la flecha [ < ] o [ > ], seleccionar «Activar» o «Renovar».

- Empujar el filtro de agua firmemente en el rebaje del depósito de agua.



- Llenar de agua el depósito hasta la marca «max».
- Extraer el tubo de goma flexible del recipiente para leche y cerrar la puerta.

### ATENCIÓN:

No pellizcar el tubo al cerrar la puerta.

- Colocar un recipiente de 0,5 L de capacidad debajo del dispensador.
- Tocar [ START I STOP ].

El agua comienza a pasar por el filtro para limpiarlo.

- A continuación, vaciar el recipiente.

La cafetera vuelve a estar lista para funcionar.

### Nota:

Al limpiar el filtro, se activa también el ajuste para que se visualice el cambio del filtro.

Cuando se visualiza «Cambiar filtro de agua» o después de un máximo de 2 meses, el filtro ya no es efectivo. Debe cambiarlo por razones higiénicas y para que la cafetera no se calcifique (puede resultar dañada).

- Si no se coloca un filtro nuevo, seleccionar el ajuste «Retirar» y confirmar con [ START I STOP ].

Aparece «Retirar filtro de agua, volver a colocar el depósito de agua, cerrar puerta».

### Nota:

Si no se utiliza la cafetera durante un período de tiempo prolongado (p. ej. durante las vacaciones), antes de volver a utilizarla deberá limpiarse el filtro. Para ello dispensar simplemente una taza de agua caliente.

La información detallada sobre el filtro de agua se encuentra en las instrucciones del filtro adjuntas.

Ud. temperatura

Opción de ajuste en «°F» o «°C».

Ud. cantidad

Opción de ajuste en «oz» o «ml».

Desconectar tras

Ajustar del intervalo de tiempo tras el cual desea que la cafetera se aclare y desconectar automáticamente, después de haber preparado la última bebida.

Se pueden seleccionar valores entre 15 minutos y 8 horas. El tiempo preajustado es de 30 minutos.

Iluminación

Ajuste de la iluminación del dispensador de bebidas. Se puede seleccionar «Encendido», «Durante el uso» o «Apagado».

Brillo iluminación

Ajuste del brillo de la iluminación del dispensador de bebidas. Se puede seleccionar desde el «Grado 1» hasta el «Grado 10».

Brillo pantalla

Ajuste del brillo de la pantalla.

Tonos teclas

Encendido o apagado de los tonos de las teclas.

Indicación de la hora

Posibilidad de mostrar la hora y la fecha «Desactivado» o «Digital» (encendido). Es posible realizar los siguientes ajustes para ello en los siguientes puntos de menú.

### Nota:

Si se desconecta la cafetera por medio del interruptor de encendido o se produce un fallo de la red, se pierden los ajustes de fecha y hora.

Hora

Ajuste de la hora actual.

Formato horario

Opción de ajuste en «12 h» (modo de horas americano) o «24 h» (modo de tiempo europeo)

### Nota:

No hay diferencia entre am y pm.

Seguro de transporte

Programa de servicio para evitar daños producidos por la acción del hielo y el almacenamiento. Mediante dicho programa la cafetera se vacía completamente.

- Seleccionar «Inicio» para iniciar el programa.
- Vaciar el depósito de agua y colocar de nuevo
- En su caso retirar el recipiente para la leche y cerrar la puerta.

La cafetera vacía automáticamente el sistema de tubos.

- A continuación, vaciar y volver a colocar la bandeja de goteo.

Infos-bebidas

Muestra cuántas bebidas se han preparado desde la puesta en marcha.

- Seleccionar «Continuar» para mostrar la información.

Configuración de fábrica

Deshacer los ajustes propios y volver al estado de suministro.

- Con la flecha [ < ] o [ > ], seleccionar «Restablecer». Aparece «¿Desea restablecer?».
- Confirmar por medio de «Restablecer» o interrumpir por medio de «Cancelar».

## Cuidado y limpieza diaria



### ADVERTENCIA

**¡Peligro de descarga eléctrica!**

No sumerja nunca el aparato en agua.

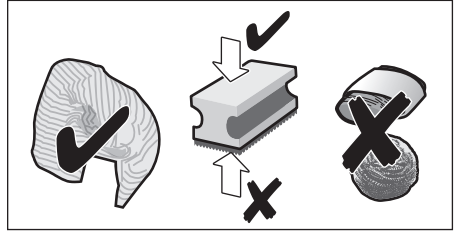
¡No utilice limpiadoras de vapor!



### ADVERTENCIA

Nunca utilice químicos agresivos para limpiar la cafetera. Los productos para limpieza que contengan cloro pueden dañar su aparato y pueden presentar riesgos para su salud. Algunos productos químicos pueden dejar residuos tóxicos. Utilice detergente para trastes de uso normal y agua.

- Limpiar la superficie de la cafetera con un paño suave y húmedo.
- Use un agente de limpieza muy suave.
- Limpiar el panel de mando con un paño de microfibra.
- No utilizar productos de limpieza que contengan alcohol.
- No utilizar paños ni productos de limpieza abrasivos.



- Retirar siempre inmediatamente los restos de cal, café, leche y solución descalcificadora. Bajo estos restos se puede producir corrosión.

#### Nota:

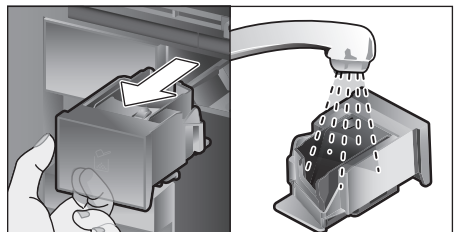
Los paños de limpieza nuevos pueden contener sales. Las sales pueden provocar una corrosión ligera en el acero. Por este motivo, lavar los paños minuciosamente antes de su uso.

- Abrir la puerta y extraer hacia delante la bandeja de goteo.
- Retirar la cubierta de la bandeja de goteo y el recipiente para posos de café.
- Vaciar, limpiar y secar los componentes.

#### ATENCIÓN:

La bandeja de goteo y el recipiente para posos de café se deberían vaciar y limpiar diariamente para evitar depósitos.

- Extraer el cajón para el café molido, lavar con agua corriente y secar bien.



- Limpiar y secar el interior de la máquina (alojamiento de la bandeja de goteo y el cajón para el café molido) y la bandeja de recogida.
- Colocar las piezas secas, p. ej. el cajón para el café molido.

**ATENCIÓN:**



**Las piezas siguientes no se pueden meter en el lavavajillas:**

Cajón de accesorios, depósito de agua, tapa del depósito de agua, tapa del dispensador de bebidas, recipiente de granos de café, tapa del recipiente de granos de café, elemento de unión de metal, cajón para el café molido, tapa protectora para unidad de preparación, unidad de preparación y recipiente para leche.



**Las piezas siguientes se pueden meter en el lavavajillas:**

Bandeja escurridora, bandeja de recogida, bandeja de goteo, cubierta de la bandeja de goteo, recipiente para posos de café, tubos para la leche, tubos de aspiración, componentes de la salida de bebida, cuchara de café molido y componentes de la tapa del recipiente para leche.

**Nota:**

Cuando la cafetera se apaga en frío o después de dispensar café, ejecuta un aclarado automático. Es decir, la cafetera se limpia por sí misma.

**ATENCIÓN:**

Si no se ha utilizado la cafetera durante un período de tiempo prolongado (p. ej. durante las vacaciones), limpiarla a fondo, incluyendo el sistema de leche, el cajón para el café molido y la unidad de preparación.

## Limpieza del sistema de leche

El sistema de leche se limpia automáticamente inmediatamente después de la preparación de una bebida con leche por medio de una corta ráfaga de vapor.

**Nota:**

Para una limpieza más a fondo del sistema de la leche también se puede enjuagar con agua (véase el capítulo «Aclarado del sistema de leche»).

**ATENCIÓN:**

Limpiar el sistema de leche manualmente cada semana o más a menudo en caso necesario (véase el capítulo «Limpiar manualmente el sistema de leche»).



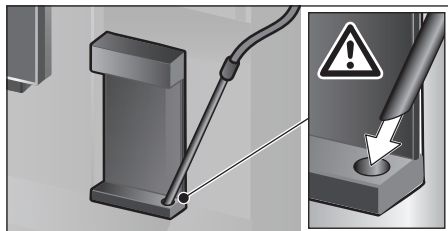
## PRECAUCIÓN:

**¡Riesgo de quemaduras!**

La salida de la bebida alcanza una alta temperatura. Después de utilizarlo, no lo toque hasta que se haya enfriado.

## Aclarado del sistema de leche

- Tocar [ **CLEAN** ] y seleccionar «Enjuagar sistema de la leche» con la flecha [ < ] o [ > ].
- Pulsar la flecha [ √ ]. Se inicia el programa.
- Abrir la puerta y retirar el tubo de aspiración del recipiente para leche.
- Limpiar el tubo de aspiración e introducir el extremo de este en el agujero del recipiente para posos de café.



- Cerrar la puerta. No pellizcar el tubo para la leche con la puerta.
- Colocar un vaso vacío debajo del dispensador de bebidas.
- Tocar [ **START | STOP** ].

El sistema de leche se aclara con agua.

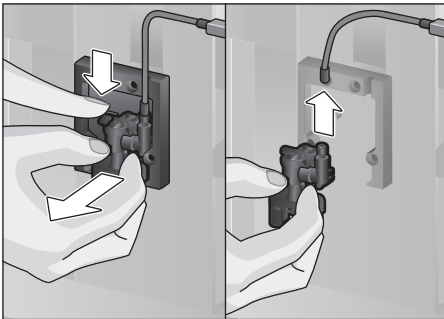
- A continuación, vaciar el vaso.
- Tocar [ CLEAN ] para salir del programa.

Se completa el aclarado del sistema de leche. La cafetera vuelve a estar lista para funcionar.

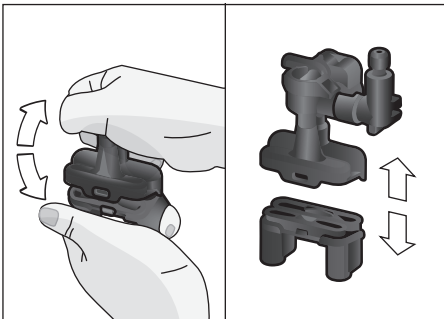
### Limpiar manualmente el sistema de leche

Desmontar el sistema de leche para limpiarlo:

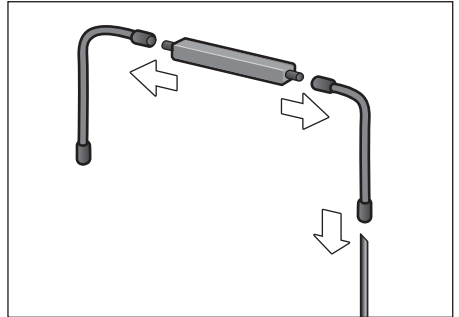
- Bajar el dispensador de bebidas del todo y retirar la tapa hacia delante.
- Presionar la palanca de la izquierda del dispensador de bebidas hacia abajo y tirar del dispensador de bebidas recto hacia delante.



- Extraer el tubo de la leche. Desmontar la parte superior y la parte inferior del dispensador de bebidas.



- Separar los tubos para la leche, el elemento de unión y el tubo de aspiración.

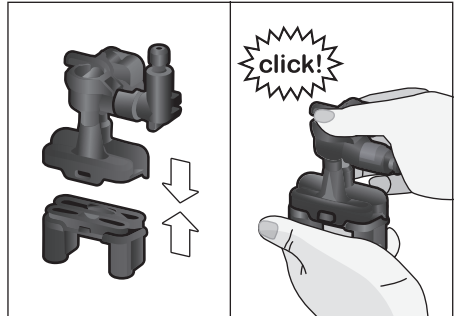


- Limpiar las distintas partes con agua con un poco de jabón y un paño suave.
- Aclarar todas las piezas con agua limpia y secarlas.



Todas las piezas del sistema de leche pueden meterse también en el lavavajillas.

- Volver a montar todas las piezas (véanse también las instrucciones breves).



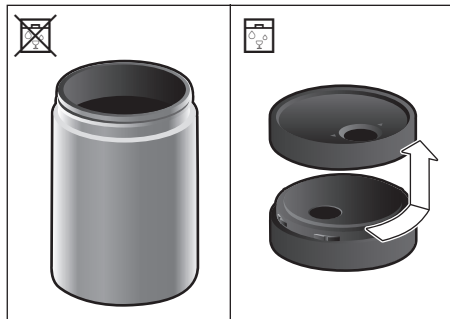
- Colocar el dispensador de bebidas recto desde la parte frontal firmemente con las tres conexiones.
- Volver a colocar la tapa.

## Limpieza del recipiente de leche

### ATENCIÓN:


Los residuos en el recipiente de leche pueden provocar la formación de moho.

Por razones de higiene, el recipiente de leche debe limpiarse regularmente. Solamente las piezas de la tapa se pueden meter en el lavavajillas. Limpiar el recipiente de leche de acero inoxidable a mano con un detergente suave.

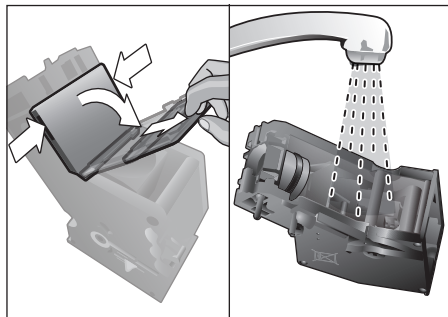


## Limpieza de la unidad de preparación (Véanse también las instrucciones breves)

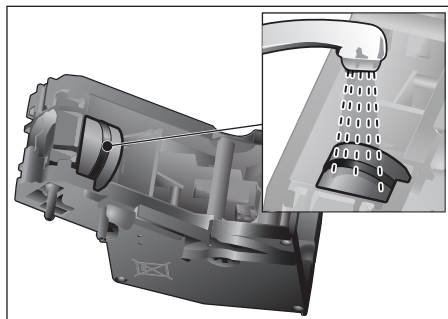
Además del programa de limpieza automático, la unidad de preparación debería extraerse regularmente para limpiarla.

- Abrir la puerta del aparato.
- Apagar la cafetera del todo con el interruptor de encendido [ O/I ].
- Extraer la tapa protectora de la unidad de preparación.
- Extraer el recipiente para los posos de café.
- Desplazar el cierre rojo de la unidad de preparación totalmente hacia la izquierda hasta .
- Presionar la palanca de expulsión completamente hacia abajo. La unidad de preparación se suelta.
- Sujetar la unidad de preparación por el tirador embutido y extraerla con cuidado.

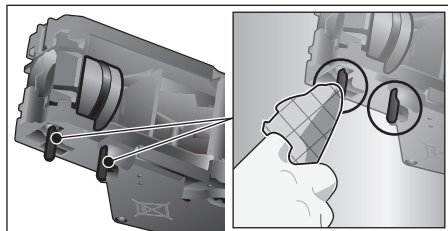
- Retirar la tapa de la unidad de preparación y limpiar a fondo la unidad de preparación con agua corriente.




- Limpiar bien el filtro de la unidad de preparación bajo el chorro de agua.



- Limpiar a fondo los pivotes de conexión de la unidad de preparación.





-  **Importante:** No utilizar detergente y no meter la unidad en el lavavajillas.

- Limpiar a fondo el interior de la cafetera con un paño húmedo y retirar los restos de café que pueda haber.
- Dejar secar la unidad de preparación y el interior de la cafetera.

- Poner la cubierta de nuevo sobre la unidad de preparación.
- Empujar la unidad de preparación hasta el tope en el aparato y presionar sobre el centro hasta que encaje de forma audible.

### **ATENCIÓN:**

El cierre rojo debe desplazarse hasta el tope izquierdo en  antes del uso (ver Figura E).

- Presionar la palanca de expulsión hacia el tope superior y desplazar el cierre rojo completamente hacia la derecha hasta .
- Colocar el recipiente para los posos de café.
- Volver a colocar la tapa protectora.
- Cerrar la puerta del aparato.

## **Programas de mantenimiento**

(Véanse también las instrucciones breves)

A intervalos de tiempo determinados aparece previo aviso en la pantalla

«¡Ejecutar programa de descalcificación!»  
o bien

«Ejecutar programa de limpieza!»  
o bien

«¡Ejecutar programa de Clean & Descale!»


La cafetera debería limpiarse o descalcificarse inmediatamente con el programa correspondiente. Alternativamente, se pueden agrupar los procesos Descalcificar y Limpiar mediante la función Clean & Descale (véase el capítulo «Clean & Descale»).

En caso de que el programa no se ejecute a tiempo pueden producirse daños en la cafetera.

### **Nota:**

Si el aparato no se descalcifica a tiempo aparece «Programa de descalcificación pendiente. ¡El aparato se bloqueará dentro de poco!». Ejecutar inmediatamente el proceso de descalcificación según las instrucciones. Si el aparato está bloqueado sólo se puede utilizar de nuevo después de realizar el proceso de descalcificación.

Para visualizar cuántas bebidas se pueden preparar aún antes de que se deba llevar a cabo un programa de servicio, proceder del modo siguiente:

- Tocar [ **CLEAN** ].
- Con la flecha [ < ] o [ > ], seleccionar «Servicio de información».
- Pulsar [  ] para consultar las informaciones.

### **ATENCIÓN:**

Usar los productos de descalcificación y limpieza según las instrucciones en cada programa de servicio.

No interrumpa nunca el programa de mantenimiento.

No utilice nunca vinagre, productos a base de vinagre, ácido cítrico ni productos a base de ácido cítrico.

No introduzca nunca pastillas ni otros productos para descalcificar en el cajón para café molido.

Puede adquirir productos de descalcificación y de limpieza especialmente desarrollados en establecimientos comerciales y a través del servicio de asistencia técnica (véase el capítulo «Accesorios»).



### **PRECAUCIÓN:**

No beba ni se exponga al contacto con productos para la limpieza o eliminación de sarro. Mantenga los productos de limpieza y los comprimidos para eliminar el sarro fuera del alcance de los niños. Estos productos pueden ser tóxicos.

### **ATENCIÓN:**

Antes de iniciar cualquiera de los programas de mantenimiento (Descalcificar, Limpiar o Clean & Descale), retire la unidad de preparación, límpiela según las instrucciones y vuelva a colocarla. No pellizque el tubo al cerrar la puerta.

Tras finalizar cada programa de mantenimiento, limpie el aparato con un paño suave y húmedo para retirar inmediatamente los restos de la solución de descalcificación y de limpieza. Bajo estos restos se puede producir corrosión.

Los paños de limpieza nuevos pueden contener sales. Las sales pueden provocar una corrosión ligera en el acero. Por este motivo, lave los paños minuciosamente antes de su uso.

Limpie a fondo el dispensador de bebidas, los tubos flexibles para la leche y el elemento de unión.

### **Nota:**

Puede adquirir productos de descalcificación y de limpieza especialmente desarrollados en establecimientos comerciales y a través del servicio de asistencia técnica (véase el capítulo «Accesorios»).

### **Descalcificación**

Duración: aprox. 21 minutos.

- Tocar [ **CLEAN** ].
- Con la flecha [ < ] o [ > ], seleccionar «Descalcificar».
- Tocar [ **START I STOP** ]. La pantalla de visualización va mostrando los programas.
- Vaciar la bandeja de goteo y colocar de nuevo.
- Retirar el filtro de agua (si está presente) y tocar [ **START I STOP** ].
- Llenar el depósito de agua vacío con agua templada hasta la marca «0,5 l» y disolver en ella 1 pastilla de descalcificación Thermador 00311823.

### **Nota:**

Si no hay suficiente solución de descalcificación en el depósito de agua, aparece la solicitud correspondiente. Rellenar el depósito con agua sin gas y volver a tocar [ **START I STOP** ].

- Retirar y limpiar el tubo de aspiración del recipiente para leche e introducir el extremo de este tubo en el agujero del recipiente para posos de café.
- Cerrar la puerta del aparato.
- Colocar un recipiente de 0,5 L de capacidad debajo del dispensador de bebidas.
- Tocar [ **START I STOP** ]. El programa de descalcificación se ejecutará durante unos 19 minutos aprox.
- Retirar el recipiente y volver a tocar [ **START I STOP** ].
- Vaciar el depósito de agua y colocar de nuevo el filtro de agua (si se había retirado).
- Llenar con agua limpia hasta la marca «max».



- Colocar de nuevo el depósito de agua y cerrar la puerta.
- Colocar de nuevo el recipiente debajo del dispensador de bebidas.
- Tocar [ **START I STOP** ]. El programa de descalcificación se ejecutará durante aprox. 2 minutos y la cafetera iniciará el proceso de aclarado.
- Retirar el recipiente, vaciar la bandeja de goteo y colocarla de nuevo. Cerrar la puerta.
- Tocar [ **START I STOP** ]. La cafetera está descalcificada y vuelve a estar lista para funcionar.
- Tocar [ **CLEAN** ] para salir del programa.

### **Limpieza**

Duración: aprox. 5 minutos.

- Tocar [ **CLEAN** ].
- Con la flecha [ < ] o [ > ], seleccionar «Limpia».
- Tocar [ **START I STOP** ]. La pantalla de visualización va mostrando los programas.
- Limpiar el dispensador de bebidas y colocar de nuevo. Vaciar la bandeja de goteo y colocar de nuevo.
- Abrir el cajón para el café molido, echar una pastilla de limpieza en su interior y cerrar.
- Cerrar la puerta del aparato.
- Colocar un recipiente de 0,5 L de capacidad debajo del dispensador de bebidas.
- Tocar [ **START I STOP** ]. El programa de limpieza se ejecutará durante unos 5 minutos.
- Retirar el recipiente, vaciar la bandeja de goteo y colocarla de nuevo. Cerrar la puerta.
- Tocar [ **START I STOP** ]. La cafetera está completamente limpia y vuelve a estar lista para funcionar.
- Tocar [ **CLEAN** ] para salir del programa.

### **Clean & Descale**

Duración: aprox. 26 minutos.

El programa Clean & Descale combina las funciones individuales de Descalcificación y de Limpieza. Si el momento en el que ambos programas deben ejecutarse está próximo, la máquina propone automáticamente este programa.

- Tocar [ **CLEAN** ].
- Con la flecha [ < ] o [ > ], seleccionar «Clean & Descale».
- Tocar [ **START I STOP** ]. La pantalla de visualización va mostrando los programas.
- Limpiar el dispensador de bebidas y colocar de nuevo. Vaciar la bandeja de goteo y colocar de nuevo.
- Abrir el cajón para el café molido, echar una pastilla de limpieza en su interior y cerrar.
- Retirar el filtro de agua (si está presente) y tocar [ **START I STOP** ].
- Llenar el depósito de agua vacío con agua templada hasta la marca «0,5 l» y disolver en ella 1 pastilla de descalcificación Thermador 00311823.

### **Nota:**

Si no hay suficiente solución de descalcificación en el depósito de agua, aparece la solicitud correspondiente. Rellenar el depósito con agua sin gas y volver a tocar [ **START I STOP** ].

- Retirar y limpiar el tubo de aspiración del recipiente para leche e introducir el extremo de este tubo en el agujero del recipiente para posos de café.
- Cerrar la puerta del aparato.
- Colocar un recipiente de 0,5 L de capacidad debajo del dispensador de bebidas.
- Tocar [ **START I STOP** ].

El programa se ejecutará durante unos 19 minutos.

- Retirar el recipiente y volver a tocar [ **START I STOP** ].
- Vaciar el depósito de agua y colocar de nuevo el filtro de agua (si se había retirado).
- Llenar con agua limpia hasta la marca «max».

- Colocar de nuevo el depósito de agua y cerrar la puerta.
- Colocar de nuevo el recipiente debajo del dispensador de bebidas.
- Tocar [ START I STOP ].

El programa se ejecutará durante unos 7 minutos aclarando la máquina.

- Retirar el recipiente, vaciar la bandeja de goteo y colocarla de nuevo. Cerrar la puerta.
- Tocar [ START I STOP ]. La cafetera está completamente descalcificada y vuelve a estar lista para funcionar.
- Tocar [ CLEAN ] para salir del programa.

### Aclarado especial

#### **ATENCIÓN:**

Si por alguna razón se llegara a interrumpir un programa de mantenimiento, por ejemplo, por un apagón, proceder de acuerdo con la información de la pantalla del siguiente modo:

- Lavar el depósito de agua y llenarlo con agua limpia hasta la marca «max».
- Tocar [ START I STOP ]. El programa se ejecutará durante unos 2 minutos aclarando la máquina.
- Vaciar la bandeja de goteo y colocarla de nuevo. Cerrar la puerta. La cafetera vuelve a estar lista para funcionar.
- Tocar [ CLEAN ] para salir del programa.

---

## Recomendaciones para ahorrar energía

- Tocando la tecla [ ON I OFF ] la máquina pasa al «modo de ahorro». En el «modo de ahorro» la máquina consume muy poca electricidad, pero sigue supervisando todas las funciones relevantes para la seguridad para impedir que se produzcan daños.
- Ajustar la desconexión automática a 15 minutos en la opción «Desconectar tras» del menú.
- Reducir el brillo y la iluminación de la pantalla en el menú para ahorrar energía.

- En la medida de lo posible, no interrumpir el dispensado de café o de espuma. Si se para antes de tiempo la preparación de café o espuma, el consumo de energía es mayor y también es mayor la cantidad de agua residual de la bandeja de goteo.
- Descalcificar la cafetera regularmente para impedir que se produzcan calcificaciones. Los residuos de cal hacen que aumente el consumo de energía.

---

## Protección anticongelante

Para evitar daños provocados por el hielo durante el transporte o almacenamiento, la cafetera debe vaciarse antes completamente (véase el capítulo «Menú – Seguro de transporte»).

---

## Conservación de accesorios

La cafetera automática tiene un compartimento especial para guardar en ella los accesorios y las instrucciones breves de uso.

- Colocar la cuchara dosificadora y el filtro de agua en el cajón de accesorios.
- Insertar las instrucciones breves en la guía especial situada delante en el cajón de accesorios.
- El tubo de aspiración largo puede guardarse en el soporte en el interior de la puerta (Figura D).
- El elemento de unión puede fijarse al soporte magnético sobre el cajón para el café molido.

## Accesorios

Los siguientes accesorios se pueden obtener a través del servicio de asistencia técnica:

Accesorios	Número de pedido Servicio de Atención al Cliente
Pastillas de limpieza	00311820
Pastillas de descalcificación	00311823
Filtro de agua	12008246
Recipiente para la leche con tapa «FreshLock»	11005967
Limitaciones para el ángulo de apertura de 92°	00636455

## Eliminación



Favor de verificar con su municipio o condado acerca de las opciones de desecho en su localidad.

Todos los derechos reservados.

## Especificaciones técnicas

Conexión eléctrica con tipo de transformador: 8001007072 (tensión – frecuencia)	120 V AC – 60 Hz
Potencia de la calefacción	1600 W
Presión máxima de la bomba, estática	19 bar
Capacidad máxima del depósito de agua (sin filtro)	81.15 oz (2.4 l)
Capacidad máxima del recipiente de granos de café	17.64 oz (500 g)
Longitud del cable de alimentación (Enchufe de electricidad – Transformador)	39" (1 m)
Dimensiones (Electrodoméstico sin transformador) alto x ancho x fondo	17.91 x 23.46 x 14.76" (455 x 596 x 375 mm)
Peso, vacía (Electrodoméstico sin transformador)	42-44 lb (19-20 kg)
Dimensiones (sólo el transformador) alto x ancho x fondo	8.26 x 6.77 x 7.80" (210 x 172 x 198 mm)
Peso (sólo el transformador)	27.55 lb (12.5 kg)
Tipo de molinillo	Cerámica

## Resolución de algunos problemas sencillos

La siguiente tabla brinda soluciones para problemas que pueden surgir durante el uso de su máquina Bosch. Si no encuentra una solución para su problema específico o este persiste después de aplicar estas soluciones, favor de ponerse en contacto con nosotros 1-800-944-2904.

Problema	Causa	Solución
Calidad del café o de la espuma muy variable (p. ej. variación de cantidad o salpicaduras de espuma de leche).	La cafetera está calcificada.	Descalcificar la cafetera según las instrucciones, véase el capítulo «Programas de mantenimiento».
	El tubo de aspiración está obstruido.	Limpiar el tubo de aspiración.
No es posible el dispensado.	El dispensador de bebidas o una de las 3 conexiones están obstruidos.	Limpiar el dispensador de bebidas y las conexiones.
La bebida se sale por todo el dispensador durante el dispensado.	Falta la parte inferior del dispensador de bebidas.	Montar la parte inferior, véase el capítulo «Limpieza del sistema de leche».
Hay poca espuma, no hay espuma o el sistema de leche no aspira leche.	La cafetera está calcificada.	Descalcificar la cafetera según las instrucciones, véase el capítulo «Programas de mantenimiento».
	El dispensador de bebidas o una de las 3 conexiones están obstruidos.	Limpiar el dispensador de bebidas y las conexiones.
	Leche inadecuada.	No utilice leche que ya haya cocido. Utilice leche con un mínimo de 1,5% de materia grasa.
	El dispensador de bebidas y los tubos flexibles para la leche no están montados correctamente.	Humedecer las distintas partes y volver montar todas las piezas.
	El tubo de aspiración está obstruido.	Limpiar el tubo de aspiración.
La cantidad de llenado ajustada no se alcanza, el café sale sólo a gotas o deja de salir.	El grado de molido es demasiado fino. El café en polvo es demasiado fino.	Regular el grado de molido para que sea menos fino. Utilice café molido menos fino.
	La máquina está fuertemente calcificada.	Descalcificar la cafetera según las instrucciones, véase el capítulo «Programas de mantenimiento».
	La unidad de preparación está sucia.	Limpiar la unidad de preparación, véase capítulo «Limpieza de la unidad de preparación».
El agua caliente sale con leche o sabe a leche o café.	No se ha extraído el tubo para la leche.	Extraiga el tubo de goma flexible del recipiente para leche.
	En el dispensador de bebidas hay restos de leche o café.	Limpiar el dispensador de bebidas.

<b>Problema</b>	<b>Causa</b>	<b>Solución</b>
El café no tiene «crema».	Tipo de café inadecuado.	Utilice un tipo de café con una mayor proporción de granos de la variedad Robusta.
	Los granos ya no están frescos.	Utilice granos frescos.
	El grado de molido no es el adecuado para los granos de café.	Ajuste un grado de molido más fino.
El café tiene un sabor demasiado «ácido».	El grado de molido es demasiado grueso. El café en polvo es demasiado grueso.	Ajuste un grado de molido más fino. Utilizar un café molido más fino.
	Tipo de café inadecuado.	Utilice otro tipo de café.
El café tiene un sabor demasiado «amargo».	El grado de molido es demasiado fino. El café en polvo es demasiado fino.	Regular el grado de molido para que sea menos fino. Utilice café molido menos fino.
	Tipo de café inadecuado.	Utilice otro tipo de café.
El café tiene sabor a «quemado».	Temperatura de preparación demasiado alta.	Baje la temperatura, véase el capítulo «Adaptación de bebidas».
	El grado de molido es demasiado fino. El café molido es demasiado fino.	Ajustar un grado de molido menos fino. Utilice café molido menos fino.
	Tipo de café inadecuado.	Utilice otro tipo de café.
El café sale demasiado claro.	Se ha seleccionado una intensidad de café demasiado baja.	Aumentar la intensidad del café, véase el capítulo «Adaptación de bebidas».
	Acumulación de café molido en el cajón para el café molido.	Extraer el cajón para el café molido, limpiarlo y secarlo a fondo.
El café molido se queda enganchado en el cajón para el café molido.	El café molido está pegado.	No apretar el café molido en el cajón para el café molido.
	El cajón para el café molido está húmedo.	Extraer el cajón para el café molido, limpiarlo y secarlo a fondo.
El filtro de agua no se queda sujeto al depósito de agua.	El filtro de agua no está bien fijado.	Presionar con fuerza el filtro de agua recto en el empalme del depósito.
El recipiente de granos de café se atasca al insertarlo.	Hay granos en la carcasa.	Retirar los granos de café.
Los posos de café no son compactos y están demasiado húmedos.	El ajuste del grado de molido es demasiado fino o demasiado grueso o se utiliza demasiado poco café molido.	Regular el grado de molido para que sea más o menos fino o utilice 2 cucharadas rasas de café molido.

<b>Problema</b>	<b>Causa</b>	<b>Solución</b>
El ajuste del grado de molido es lento.	Demasiados granos de café en el molinillo.	Dispensar una bebida hecha a base de granos de café. Realizar los cambios en el grado de molido en incrementos más pequeños.
La unidad de preparación no se puede utilizar.	Unidad de preparación en una posición incorrecta.	Utilizar la unidad de preparación según las instrucciones, véase el capítulo «Limpieza de la unidad de preparación».
	La unidad de preparación está bloqueada.	Desbloquear la unidad de preparación según las instrucciones, véase el capítulo «Limpieza de la unidad de preparación».
La tapa protectora de la unidad de preparación no se puede colocar correctamente.	La unidad de preparación no está bloqueada.	Bloquear la unidad de preparación, véase el capítulo «Limpieza de la unidad de preparación».
Hay agua por debajo de la bandeja de goteo.	Se trata de agua de condensación.	No colocar la bandeja de goteo sin la cubierta.
Indicación de la pantalla «12:00»	Máquina apagada por un fallo de la red o con el interruptor de encendido.	Volver a introducir los valores, no desconectar la máquina con el interruptor de encendido o bien ajustar «Desactivado» en el menú Indicación de la hora.
Indicación de la pantalla «¿Recipiente acoplado?» a pesar de estar el recipiente para leche acoplado.	El recipiente se encuentra fuera del alcance del sensor.	Colocar el recipiente en el borde derecho.
	No se detecta el material, por ejemplo, el cartón de leche.	Confirmar con «S» la consulta de la pantalla o utilizar el recipiente para leche suministrado.
Indicación de la pantalla «Sobretensión o subtensión»	Tensión de red demasiado alta o demasiado baja.	Contactar con el proveedor corriente o con el operador de red. Encargar verificar la alimentación de tensión a un profesional.
Indicación de la pantalla «Dejar enfriar el aparato»	El aparato está demasiado caliente.	Desconectar el aparato durante 30 minutos.
Indicación de la pantalla, por ejemplo: «Error: E0510»	La cafetera está averiada.	Proceder siguiendo la indicación de la pantalla.
Indicación de la pantalla «Introducir granos de café» a pesar de que el recipiente para café en grano está lleno o el molinillo no muele granos de café.	Los granos no caen directamente en el molinillo (son demasiado grasos).	Golpear levemente el recipiente de granos de café. Utilizar otra clase de café. Cuando el recipiente de granos de café esté vacío, limpiarlo con un paño seco.

<b>Problema</b>	<b>Causa</b>	<b>Solución</b>
Indicación de la pantalla «Limpiar unidad de preparación»	Unidad de preparación sucia.	Limpiar la unidad de preparación.
	Demasiado café molido en la unidad de preparación.	Limpiar la unidad de preparación. Llene como máximo 2 cucharas dosificadoras rasas de café molido.
	El mecanismo de la unidad de preparación está duro.	Limpiar la unidad de preparación, véase el capítulo «Cuidado y limpieza diaria».
Indicación de la pantalla «Rellenar con agua sin gas o retirar el filtro»	Depósito de agua colocado incorrectamente.	Colocar el depósito de agua correctamente.
	Agua con gas en el depósito de agua.	Llenar el depósito con agua fresca del grifo.
	El flotador del tanque de agua está enganchado.	Extraer el depósito de agua y limpiarlo a fondo.
	El filtro de agua nuevo no está enjuagado según las instrucciones o el filtro de agua está usado o defectuoso.	Enjuagar el filtro de agua según las instrucciones y ponerlo en marcha o utilizar un nuevo filtro de agua.
	Hay aire en el filtro de agua.	Sumergir el filtro en agua hasta que no salgan burbujas de aire, volver a colocar el filtro.
Indicación de la pantalla «Vaciar bandeja de goteo» a pesar de haber vaciado la bandeja de goteo.	La bandeja de goteo está sucia o húmeda.	Limpiar a fondo la bandeja de goteo y secarla.
	El vaciado no se reconoce con el aparato desconectado.	Retirar la tapa de goteo estando el aparato encendido y colocarla de nuevo.
Indicación de la pantalla «Colocar bandeja goteo» a pesar de que la bandeja de goteo está colocada.	En el interior del aparato (alojamiento de bandejas) está sucio.	Limpiar el interior del aparato.
	El recipiente para posos de café no se ha colocado hasta el fondo.	Colocar el recipiente para posos de café hasta el fondo.
Gotas de agua en el interior de la máquina al haber retirado la bandeja de goteo.	Bandeja de goteo retirada demasiado pronto.	Retirar la bandeja de goteo unos segundos después de haber preparado la última bebida.
Indicación de la pantalla «Switch off with power switch and then back on after 30 sec!»	Aparato demasiado caliente.	Dejar enfriar el aparato.
	Unidad de preparación sucia.	Limpiar la unidad de preparación.

# Garantía

## DECLARACIÓN DE GARANTÍA LIMITADA DEL PRODUCTO

**Lo que cubre esta garantía y a quién se aplica:** La garantía limitada proporcionada por BSH Home Appliances («Thermador») en esta declaración de garantía limitada del producto sólo se aplica a la máquina de Thermador («Producto») que se le vendió a usted, el primer comprador usuario, siempre y cuando el Producto haya sido comprado: (1) para su uso normal y doméstico (no comercial) y ha sido usado de hecho para propósitos de uso doméstico normal en todo momento; (2) nuevo en la tienda de venta al por menor (que no haya estado en exhibición, «tal como está», o que sea un modelo devuelto anteriormente), y no para reventa o uso comercial; y (3) dentro de los Estados Unidos o Canadá, y que haya permanecido en todo momento dentro del país de la compra original. Las garantías indicadas en este documento se aplican sólo al primer comprador del Producto y no son transferibles.

Envíe la tarjeta de registro; que aunque no es necesaria para efectuar la cobertura de la garantía, es la mejor forma para que Thermador le notifique en el caso poco probable de un aviso de seguridad o retiro del producto.

**Cuánto tiempo dura esta garantía:** Thermador garantiza que el Producto no tiene defectos en los materiales ni en la fabricación durante un periodo de trescientos sesenta y cinco (365) días a partir de la fecha de compra. El plazo mencionado anteriormente comienza en la fecha de la compra y no se retrasará, eliminará, extenderá ni suspenderá por ningún motivo cualquiera que éste fuere. También se garantiza que este producto no presenta defectos estéticos debidos a los materiales y la mano de obra (tales como arañazos del acero inoxidable, imperfecciones de la pintura/porcelana, muescas, abolladuras o cualquier otro daño en el acabado) durante un periodo de treinta (30) días a partir de la fecha de compra o de la fecha de cierre para nueva construcción. Esta garantía estética excluye las ligeras variaciones de color debidas a diferencias inherentes en las piezas pintadas y de porcelana, así como las diferencias causadas por la iluminación de la cocina, la ubicación del producto u otros factores similares. Esta garantía estética excluye de manera específica cualquier producto de exhibición, de exposición en tienda, un producto vendido «en las condiciones en que se encuentra» o aparatos del stock «B».

**Reparación o reemplazo como su solución exclusiva:** Durante este período de garantía, Thermador o uno de sus proveedores de servicio autorizados repararán su Producto sin cargo para usted (sujeto a ciertas limitaciones indicadas en este documento) si se prueba que su Producto ha sido fabricado con defectos en los materiales o en la fabricación.

Si se han hecho intentos razonables para reparar el Producto sin tener éxito, entonces Thermador reemplazará su Producto (es posible que haya modelos actualizados disponibles para usted, según el criterio de Thermador, por un costo adicional). Todas las partes y los componentes retirados serán propiedad de Thermador a su exclusiva elección. Todas las partes reemplazadas o reparadas asumirán la identidad de la parte original para los propósitos de esta garantía y esta garantía no se extenderá con respecto a dichas partes. La responsabilidad exclusiva de Thermador según el presente documento es reparar sólo los productos defectuosos de fábrica, utilizando un proveedor de servicio autorizado durante el horario de atención normal. Para las inquietudes sobre seguridad o sobre daño a la propiedad, Thermador recomienda encarecidamente que no intente reparar usted mismo el Producto ni que utilice un proveedor de servicio no autorizado; Thermador no será responsable por reparaciones o trabajos realizados por un proveedor de servicio no autorizado. Si elige que otra persona que no sea un proveedor de servicio autorizado trabaje en su Producto, ESTA GARANTÍA QUEDARÁ NULA Y SIN EFECTO. Los proveedores de servicio autorizados son aquellas personas o empresas que han sido especialmente capacitadas en los productos Thermador y que poseen, a juicio de Thermador, una reputación superior por servicio al cliente y capacidad técnica (tenga presente que son entidades independientes y no son agentes, socios, filiales ni representantes de Thermador).

Sin perjuicio de lo anterior, Thermador no tendrá responsabilidad por el Producto si éste se ubica en un área remota (más de 100 millas del proveedor de servicio autorizado) o está en un área o entorno razonablemente inaccesible, peligroso o amenazante; en tal caso, si usted lo solicita, Thermador aún pagaría por el trabajo y las partes y las enviaría al proveedor de servicio autorizado más cercano, pero usted aún sería totalmente responsable por cualquier tiempo de viaje u otros cargos especiales por la empresa de servicios, asumiendo que ellos aceptan realizar la llamada de servicio.



**Producto fuera de garantía:** Thermador no tiene la obligación, por ley o de otra forma, de proporcionarle ninguna concesión, incluidas las reparaciones, las prorratas o el reemplazo del Producto, una vez que esta garantía haya vencido.

**Exclusiones de la garantía:** La cobertura de la garantía descrita en este documento excluye todos los defectos o daños que no son falla directa de Thermador, incluidos entre otros, los siguientes: (1) Uso del Producto de cualquier otra manera que no sea la normal, habitual o de la manera para la cual está diseñado (que incluye, entre otros, cualquier forma de uso comercial, uso o almacenamiento de un producto para interior en el exterior, uso del Producto en conjunto con naves propulsadas por aire o agua); (2) cualquier conducta indebida, negligencia, mal uso, abuso, accidentes, descuido, operación indebida, falta de mantenimiento, instalación inadecuada o negligente, manipulación, no seguir las instrucciones de operación, maltrato, servicio no autorizado intencional de la persona (incluidas las «reparaciones» o exploraciones de los mecanismos internos del artefacto hechas por usted mismo); (3) ajuste, alteración o modificación de cualquier tipo; (4) el no cumplimiento de cualquier código, reglamento o ley de electricidad, instalaciones sanitarias o construcción estatal, local, de la ciudad o del condado aplicable, incluido instalar el producto sin cumplir estrictamente los códigos y reglamentos de incendios y construcciones; (5) desgaste común, derrames de alimentos, líquidos, acumulaciones de grasa, u otras sustancias que se acumulan sobre, en, o alrededor del Producto; y (6) cualquier fuerza o factor de la naturaleza o del ambiente, incluidos, entre otros, lluvia, viento, arena, inundaciones, incendios, deslizamientos de barro, temperaturas muy bajas, excesiva humedad o exposición prolongada a la humedad, luz, subida de voltaje de la electricidad, las fallas estructurales que rodean al artefacto y casos fortuitos. En ningún caso Thermador será responsable de nada en lo absoluto por daño a la propiedad circundante, incluidos los muebles, pisos, techo y otras estructuras u objetos alrededor del Producto. También se excluyen de esta garantía productos en los que se ha alterado, mutilado o eliminado el número de serie; visitas de servicio para enseñarle cómo usar el Producto o visitas en las que se determina que no hay ningún problema con el Producto; corrección de problemas de instalación (usted es el único responsable por cualquier estructura e instalación para el Producto, incluidas todas las instalaciones eléctricas, sanitarias y otras conexiones para los cimientos o pisos adecuados, y por cualquier alteración incluidas, entre otras, de muebles, muros, pisos, estantes, etc.); y restablecimiento de interruptores automáticos o fusibles.

**SEGÚN LO PERMITIDO POR LA LEY, ESTA GARANTÍA ESTABLECE SUS SOLUCIONES EXCLUSIVAS CON RESPECTO AL PRODUCTO, YA SEA QUE EL RECLAMO SURJA POR MOTIVOS DEL CONTRATO, ACTOS ILÍCITOS (INCLUSIVE RESPONSABILIDAD OBJETIVA O NEGLIGENCIA) U OTROS. ESTA GARANTÍA REEMPLAZA A TODAS LAS DEMÁS GARANTÍAS, SEAN EXPRESAS O IMPLÍCITAS. CUALQUIER GARANTÍA IMPLÍCITA POR LEY, YA SEA POR COMERCIABILIDAD O ADECUACIÓN PARA UN PROPÓSITO EN PARTICULAR, U OTROS, SÓLO SERÁ EFECTIVA DURANTE EL PERÍODO EN QUE ESTA GARANTÍA LIMITADA EXPRESA ESTÉ EN VIGENCIA. EN NINGÚN CASO EL FABRICANTE SERÁ RESPONSABLE POR LA «PÉRDIDA COMERCIAL» EMERGENTE, ESPECIAL, INCIDENTAL O INDIRECTA, Y/O POR DAÑOS, PÉRDIDAS O GASTOS PUNITIVOS, INCLUIDOS, ENTRE OTROS, EL TIEMPO FUERA DEL TRABAJO, HOTELES Y COMIDAS EN RESTAURANTES, LOS GASTOS EN EXCESO POR REMODELACIÓN DE DAÑOS DIRECTOS QUE SON CAUSADOS DEFINITIVA Y EXCLUSIVAMENTE POR Thermador, U OTRO. ALGUNOS ESTADOS NO PERMITEN LAS RESTRICCIONES O LA EXCLUSIÓN DE DAÑOS INDIRECTOS O DIRECTOS, Y ALGUNOS ESTADOS NO PERMITEN LÍMITES SOBRE LA DURACIÓN DE LA GARANTÍA IMPLÍCITA, POR LO QUE ES POSIBLE QUE LO ANTERIOR NO SE APLIQUE A SU CASO. ESTA GARANTÍA LE BRINDA DERECHOS LEGALES ESPECÍFICOS, Y USTED TAMBIÉN PUEDE TENER OTROS DERECHOS, QUE VARIAN SEGÚN EL ESTADO.** Ningún intento de alterar, modificar o enmendar esta garantía será efectivo a menos que esté autorizado por escrito por un funcionario de BHS.

**Cómo obtener el servicio de garantía:** Para obtener el servicio de garantía de su producto debe ponerse en contacto con hot line.

Producto fabricado por  
**BSH Home Appliances Corporation**  
 1901 Main Street, Suite 600  
 Irvine, CA 92614



**8001043489**

**960607**

***Thermador*** <sup>®</sup>  
REAL INNOVATIONS FOR REAL COOKS<sup>®</sup>

1901 Main Street, Suite 600 • Irvine, CA 92614 • 1-800-735-4328  
[www.thermador.com](http://www.thermador.com) • © 2015 BSH Home Appliances