

SIEMENS



Fridge-freezer

Combinazione frigorifero / congelatore

Frigorífico / congelador

Combinado de refrigeração/congelação

KM..F..

siemens-home.com/welcome

en Installation instructions and instructions for use
it Istruzioni per il montaggio e l'uso
es Instrucciones de uso y montaje
pt Instruções de serviço e de montagem

Register
your
product
online

en	Table of Contents	3
it	Indice	21
es	Índice	39
pt	Índice	59

en Table of Contents

Safety and warning information	4
Information concerning disposal	5
Scope of delivery	5
Installing the appliance	6
Installation dimensions	7
Door opening angle	7
Aligning the appliance	7
Fit the door handle covers	8
Connecting the appliance	8
Removing the appliance door	8
Getting to know your appliance	9
Switching on the appliance	11
Setting the temperature	11
Alarm function	11
Special functions	11
Usable capacity	12
Freezer compartment	12
Max. freezing capacity	13
Freezing fresh food	13
Super freezing	13
Thawing frozen food	13
Refrigerator compartment	14
Super cooling	14
Cool-fresh container	14
Features of the freezer compartment	15
Variable interior design	16
Switching off and disconnecting the appliance	17
Defrosting	17
Cleaning the appliance	17
Light (LED)	17
Tips for saving energy	18
Operating noises	18
Eliminating minor faults yourself	19
Appliance self-test	20
Customer service	20

⚠ Safety and warning information

Before you switch ON the appliance

Please read the operating and installation instructions carefully! They contain important information on how to install, use and maintain the appliance.

The manufacturer is not liable if you fail to comply with the instructions and warnings. Retain all documents for subsequent use or for the next owner.

Technical safety

The appliance contains a small quantity of environmentally friendly but flammable refrigerant R600a. Ensure that the tubing of the refrigerant circuit is not damaged during transportation and installation. Leaking refrigerant may cause eye injuries or ignite.

If damage has occurred

- Keep naked flames and/or ignition sources away from the appliance,
- thoroughly ventilate the room for several minutes,
- switch off the appliance and pull out the mains plug,
- inform customer service.

The more refrigerant an appliance contains, the larger the room must be in which the appliance is situated. Leaking refrigerant can form a flammable gas-air mixture in rooms which are too small.

The room must be at least 1 m³ per 8 g of refrigerant. The amount of refrigerant in your appliance is indicated on the rating plate inside the appliance.

If the power cord of this appliance is damaged, it must be replaced by the manufacturer, customer service or a similarly qualified person. Improper installations and repairs may put the user at considerable risk.

Repairs may be performed by the manufacturer, customer service or a similarly qualified person only.

Only original parts supplied by the manufacturer may be used. The manufacturer guarantees that only these parts satisfy the safety requirements.

A extension cable may be purchased from customer service only.

Important information when using the appliance

- Never use electrical appliances inside the appliance (e.g. heater, electric ice maker, etc.). Explosion hazard!
- Never defrost or clean the appliance with a steam cleaner! The steam may penetrate electrical parts and cause a short-circuit. Risk of electric shock!
- Do not use pointed and sharp-edged implements to remove frost or layers of ice. You could damage the refrigerant tubes. Leaking refrigerant may cause eye injuries or ignite.
- Do not store products which contain flammable propellants (e.g. spray cans) or explosive substances in the appliance. Explosion hazard!
- Do not stand on or lean heavily against base of appliance, drawers or doors, etc
- For cleaning pull out mains plug or switch off fuse. Do not pull out the mains plug by tugging on the power cord.
- Store high-percentage alcohol tightly closed and standing up.
- Keep plastic parts and the door seal free of oil and grease. Otherwise, parts and door seal will become porous.
- Never cover or block the ventilation openings of the appliance!
- **Avoiding placing children and vulnerable people at risk:**
At risk are children, people who have limited physical, mental or sensory abilities, as well as people who have inadequate knowledge concerning safe operation of the appliance.
Ensure that children and vulnerable people have understood the hazards. A person responsible for safety must supervise or instruct children and vulnerable people who are using the appliance.
Only children from 8 years and above may use the appliance.
Supervise children who are cleaning and maintaining the appliance.
Never allow children to play with the appliance.
- Do not store bottled or canned drinks (especially carbonated drinks) in the freezer compartment. Bottles and cans may burst!

- Never put frozen food straight from the freezer compartment into your mouth.
Risk of low-temperature burns!
- Avoid prolonged touching of frozen food, ice or the evaporator pipes, etc.
Risk of low-temperature burns!

Children in the household

- Keep children away from packaging and its parts.
Danger of suffocation from folding cartons and plastic film!
- Do not allow children to play with the appliance!
- If the appliance features a lock:
keep the key out of the reach of children!

General regulations

The appliance is suitable

- for refrigerating and freezing food,
- for making ice.

This appliance is intended for use in the home and the home environment.

The appliance is suppressed according to EU Directive 2004/108/EC.

The refrigeration circuit has been checked for leaks.

This product complies with the relevant safety regulations for electrical appliances (EN 60335-2-24).

This appliance is intended for use up to a maximum height of 2000 metres above sea level.

Information concerning disposal

Disposal of packaging

The packaging protects your appliance from damage during transit. All utilised materials are environmentally safe and recyclable. Please help us by disposing of the packaging in an environmentally friendly manner.

Please ask your dealer or inquire at your local authority about current means of disposal.

Disposal of your old appliance

Old appliances are not worthless rubbish! Valuable raw materials can be reclaimed by recycling old appliances.



This appliance is labelled in accordance with European Directive 2012/19/EU concerning used electrical and electronic appliances (waste electrical and electronic equipment - WEEE). The guideline determines the framework for the return and recycling of used appliances as applicable throughout the EU.

Warning

Redundant appliances

1. Pull out the mains plug.
2. Cut off the power cord and discard with the mains plug.
3. Do not take out the trays and receptacles: children are therefore prevented from climbing in!
4. Do not allow children to play with the appliance once it has spent its useful life. Danger of suffocation!

Refrigerators contain refrigerant and gases in the insulation. Refrigerant and gases must be disposed of professionally. Ensure that tubing of the refrigerant circuit is not damaged prior to proper disposal.

Scope of delivery

After unpacking all parts, check for any damage in transit.

If you have any complaints, please contact the dealer from whom you purchased the appliance or our customer service.

The delivery consists of the following parts:

- Free-standing appliance
- Bag containing installation materials
- Interior fittings (depending on model)
- Operating instructions
- Customer service booklet
- Warranty enclosure
- Information on the energy consumption and noises

Installing the appliance

Transporting

The appliance is heavy. Secure in position during transportation and installation.

Due to the weight/dimensions of the appliance and to minimise the risk of injury and damage to the appliance at least two persons are necessary to set-up the appliance safely.

Installation location

Install the appliance in a dry, well ventilated room. The installation location should neither be exposed to direct sunlight nor near a heat source, e.g. a cooker, radiator, etc. If installation next to a heat source is unavoidable, use a suitable insulating plate or observe the following minimum distances to a heat source:

- 3 cm to electric or gas cookers.
- 30 cm to an oil or coal-fired cooker.

If installing the appliance next to another refrigerator or freezer, ensure a minimum lateral distance of 25 mm to prevent the formation of condensation.

If a panel or cupboard is installed above the appliance, ensure that a gap of 30 mm is left so that the appliance can be pulled out of the recess if required.

The air heated on the rear side of the appliance must be allowed to escape unhindered.

Subsurface

Caution

The appliance is very heavy.

Design: 158 kg

The floor at the location must not give way; if required, reinforce floor.

To ensure that the doors can open all the way, observe lateral minimum distances when installing the appliance in a corner or recess (see "Installation dimensions" section).

If the depth of the adjacent kitchen equipment is more than 60 cm, observe lateral minimum distances in order to utilise the full door opening angle (see "Door opening angle" section).

Observe ambient temperature and ventilation

Ambient temperature

The climate class can be found on the rating plate. The climate class indicates within which ambient temperatures the appliance can be operated. The rating plate is located in the refrigerator compartment at the bottom right side.

Climate class	Permitted ambient temperature
SN	+10 °C to 32 °C
N	+16 °C to 32 °C
ST	+16 °C to 38 °C
T	+16 °C to 43 °C

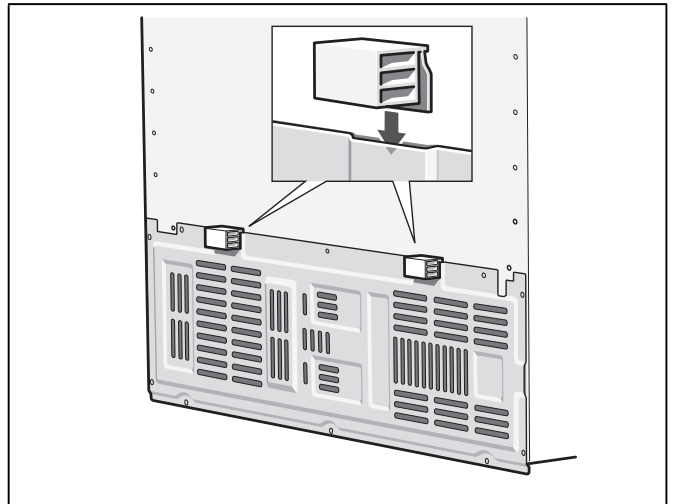
Note

The appliance is fully functional within the room temperature limits of the indicated climatic class. If an appliance of climatic class SN is operated at colder room temperatures, the appliance will not be damaged up to a temperature of +5 °C.

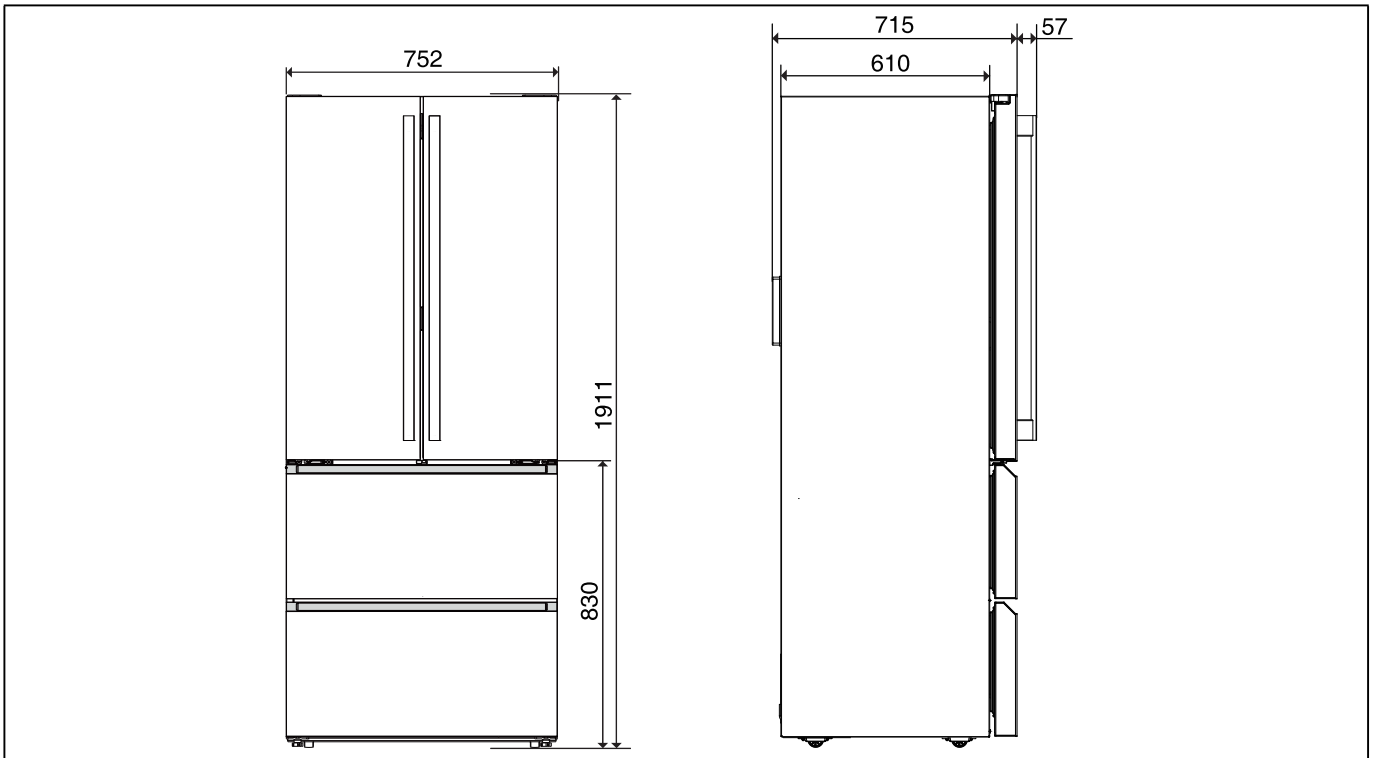
Ventilation

Never cover the ventilation openings on the rear of the appliance. Conduction of the heated air must not be obstructed. Otherwise, the refrigeration unit must work harder. This increases power consumption.

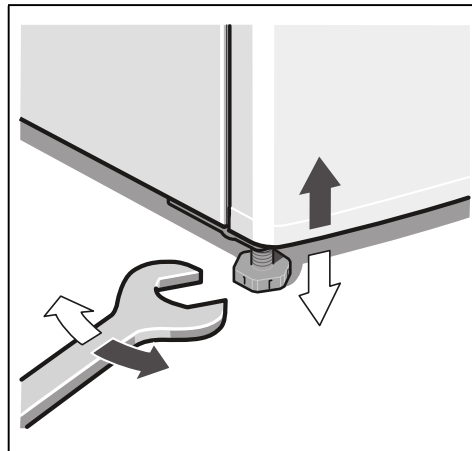
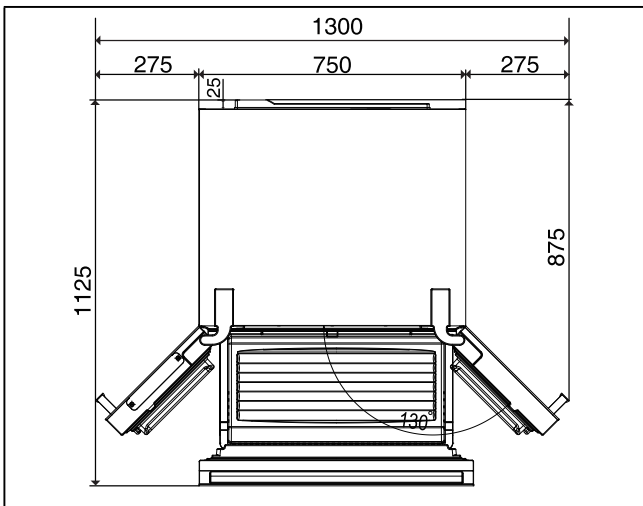
Place the enclosed spacers in the designated holders on the back of the appliance. This ensures that there is a minimum distance between the appliance and the wall.



Installation dimensions



Door opening angle



Aligning the doors

The appliance has adjustable door jambs. These can be used to align the doors.

1. Open both refrigerator compartment doors and the uppermost drawer of the freezer compartment.
2. There is a screw under the lower hinge of each refrigerator compartment door.
Use a cross-tip screwdriver to align the doors by adjusting the screws.
3. The corresponding door is raised by 1.5 mm with each clockwise turn of the screw.
The maximum adjustable height is 3 mm.

Aligning the appliance

Place the appliance in the designated location and align. The appliance must be level. If the floor is uneven, use the front height-adjustable feet. Adjust the height-adjustable feet with a wrench.

Note

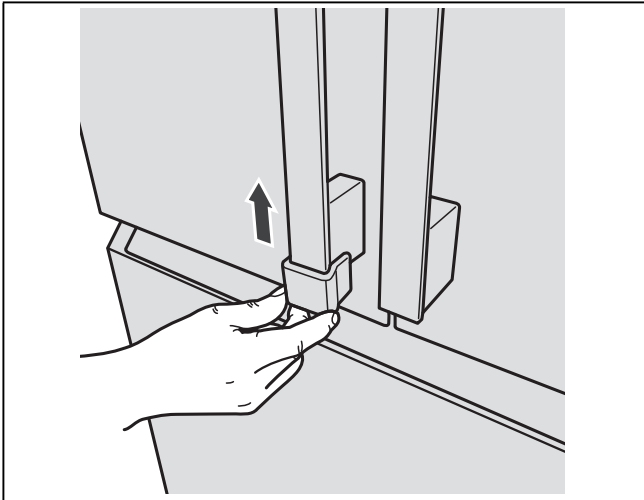
The appliance must be upright. Please align it with a spirit level.

Note

To make it easier to turn the screws, the doors should not have any load in them. Lifting the door also facilitates its adjustment.

**Fit the door handle covers**

Fit the enclosed covers to the edges of the door handles. This will prevent children from injuring themselves on the edges.

**Connecting the appliance**

Have a technician install and connect the appliance according to the enclosed installation instructions.

Do not remove the transportation protection devices from the shelves and storage compartments until the appliance has been installed.

In addition to the statutory national regulations, observe the connection conditions of the local power supply companies.

After installing the appliance, wait at least 1 hour until the appliance starts up. During transportation the oil in the compressor may have flowed into the refrigeration system.

Before switching on the appliance for the first time, clean the interior of the appliance (see chapter "Cleaning the appliance").

Electrical connection

The socket must be near the appliance and also freely accessible following installation of the appliance.

The appliance complies with the protection class I. Connect the appliance to 220-240 V/50 Hz alternating current via a correctly installed socket with protective conductor. The socket must be fused with a 10 to 16 A fuse.

For appliances operated in non-European countries, check whether the stated voltage and current type on the rating plate match the values of your mains supply. These specifications can be found on the rating plate (see chapter "Customer service").

⚠ Warning

Never connect the appliance to electronic energy saver plugs.

Our appliances can be used with mains and sine-controlled inverters. Mains-controlled inverters are used for photovoltaic systems which are connected directly to the national grid. Sine-controlled inverters must be used for isolated applications (e.g. on ships or in mountain lodges) which are not connected directly to the national grid.

Removing the appliance door

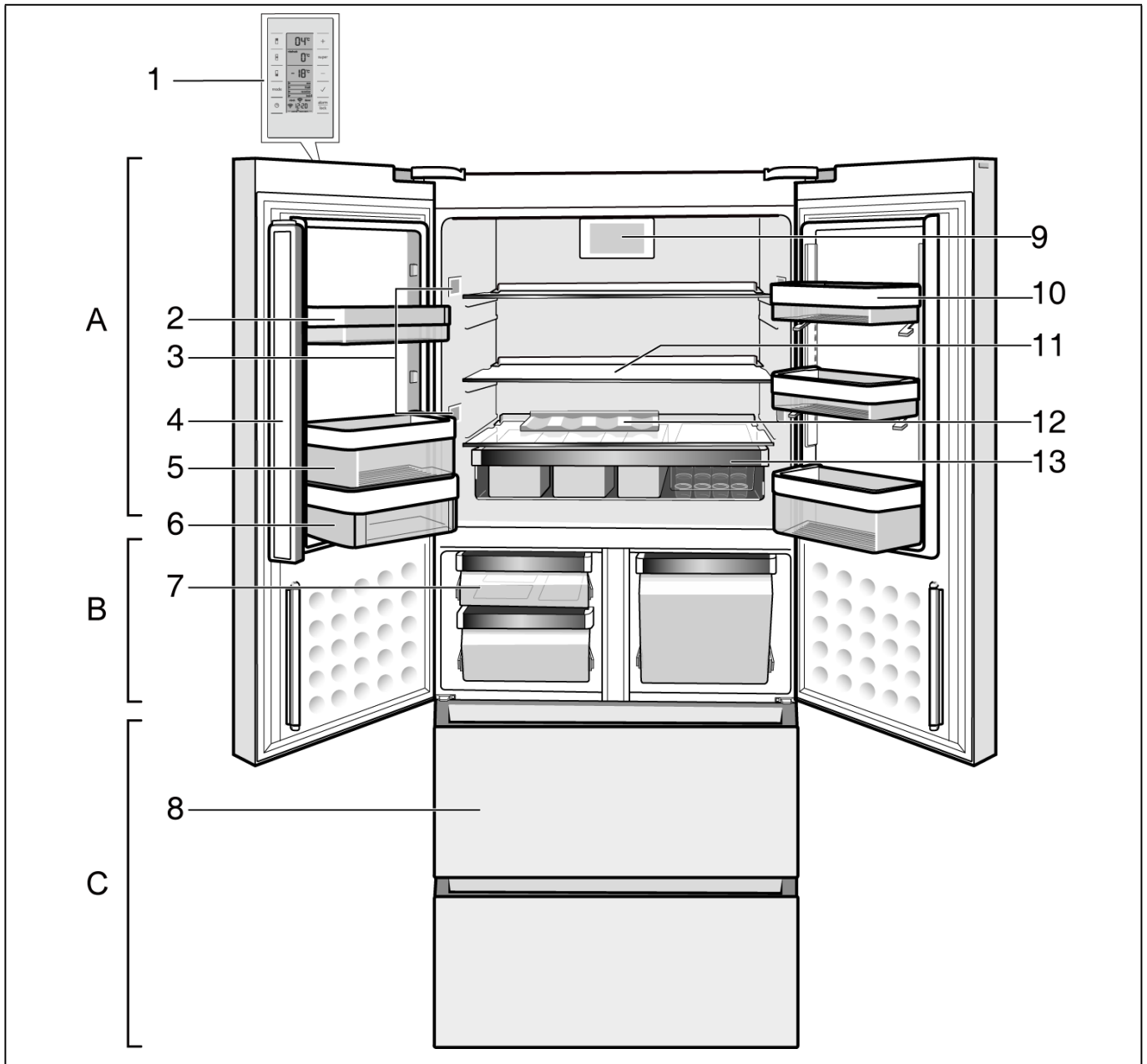
If the appliance will not fit through the house door, the appliance doors can be unscrewed.

⚠ Caution

Only customer service may unscrew the appliance doors.

Getting to know your appliance

These operating instructions refer to several models. The diagrams may differ.

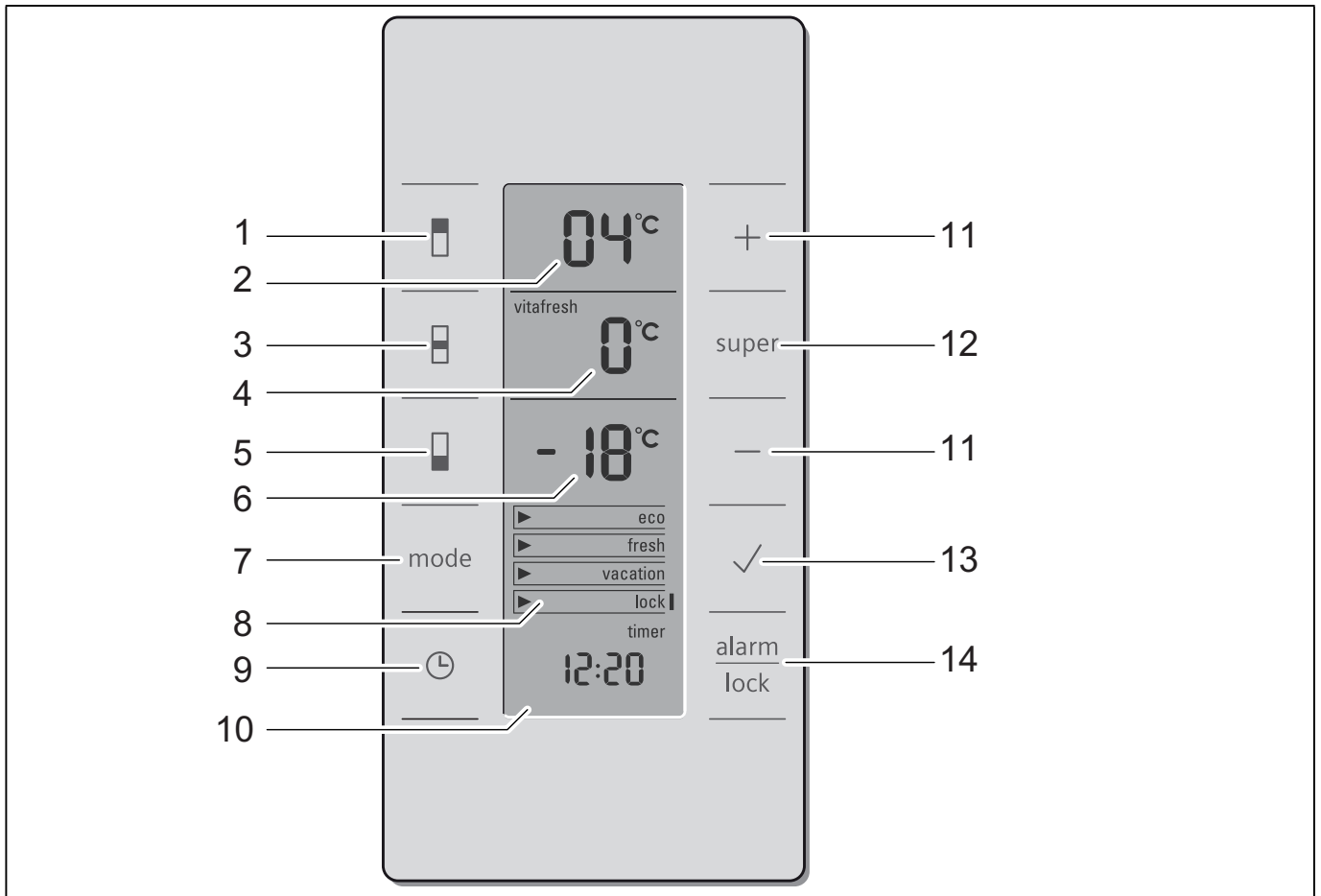


* Not all models.

- | | | | |
|---|---------------------------------|----|---|
| A | Refrigerator compartment | 6 | Butter and cheese compartment |
| B | Cool-fresh compartment | 7 | "Cool-fresh" container |
| C | Freezer compartment | 8 | Frozen food container |
| 1 | Control and display panel | 9 | Fan |
| 2 | Shelf for small bottles | 10 | Adjustable (EasyLift) storage compartment |
| 3 | Light, refrigerator compartment | 11 | Glass shelf in the refrigerator compartment |
| 4 | Door seal flap | 12 | Bottle shelf |
| 5 | Shelf for large bottles | 13 | Snack-Box |

Control and display panel

The display panel and display panel on the door consists of a touch pad.
Touch the keypad to actuate the corresponding function.



- 1 **Selection button for refrigerator compartment**
Is used to set the temperature in the refrigerator compartment.
- 2 **Refrigerator compartment display**
Indicates the current temperature setting in the refrigerator compartment.
- 3 **Selection button cool-fresh compartment**
Enables temperature setting for the cool-fresh compartment.
- 4 **“Cool-fresh” container display**
Indicates the current temperature setting in the “cool-fresh” container.
- 5 **Selection button for freezer compartment**
Is used to set the temperature setting for the freezer compartment.
- 6 **Freezer compartment display**
Indicates the current temperature setting in the freezer compartment.
- 7 **Mode button**
For selecting the special functions. See chapter entitled “Special functions”.
- 8 **Special functions display**
See chapter entitled “Special functions”.
- 9 **“timer” button**
You can use this function to set a period of time and be reminded by an acoustic signal. See chapter entitled “Special functions”.

- 10 **Timer display**
Displays the time sequence when a special function of the timer is activated.
- 11 **Setting buttons +/-**
The buttons are used to
 - set the temperatures in the different chilling zones.
 - change the time setting of the special timer function.
- 12 **“super” button**
Is used to switch on the super cooling (refrigerator compartment) as well as super freezing (freezer compartment) functions (see chapter Super cooling or chapter Super freezing).
- 13 **Confirmation button**
This button is used to confirm the selected special functions.
- 14 **Alarm/lock button**
This button is used to
 - switch off the warning signal (see "Alarm function" section)
 - switch off the button lock (see the Special Functions section).

Switching on the appliance

When connected, the appliance is switched on.

An warning signal sounds. The temperature display of the freezer compartment 6 and the alarm display light up.

Press the alarm button 14. The warning signal switches off and the alarm display stops flashing.

The temperature display of the freezer compartment 6 shows the set temperature.

The alarm display goes out when the appliance has reached the set temperature.

The preset temperatures are reached after several hours. Do not put any food in the appliance beforehand.

Setting the temperature

How to set your appliance:

1. Using the selection buttons, select the required refrigerator 1, cool-fresh 3 or freezer compartment 5 area.
2. Press the setting buttons +/- 11 to set the required temperature.

Refrigerator compartment

(Adjustable from +2 °C to +10 °C)

We recommend a setting of +4 °C.

Delicate foods should not be stored above +4 °C.

Cool-fresh compartment

(Adjustable from 0 °C to +8 °C)

We recommend a setting of 0 °C.

Note

If frost forms on the food items in the cool-fresh compartment, increase the temperature!

Freezer compartment

(Adjustable from -16 °C to -26 °C)

We recommend a setting of -18 °C.

Alarm function

Press the "alarm" button to switch off the warning signal.

In the following cases an alarm may be actuated:

Door alarm

If the appliance is left open for a longer time, the door alarm (continuous sound) switches on. Close the appliance or press the alarm button 14 to switch the warning signal off again.

Temperature alarm

The temperature alarm switches on if the appliance is too warm and the food is at risk of thawing.

The acoustic and optical signals may be actuated without risk to the food:

- When switching on the appliance for initial use.
- When large quantities of fresh food are placed in the appliance.

"Alarm" is indicated on the display panel and there is an warning signal.

When the alarm button is pressed, the temperature display indicates for several seconds the warmest temperature reached in the freezer compartment. The set temperature is then displayed again.

The "alarm" display goes out as soon as the set temperature has been reached again.

Notes

- Do not refreeze thawing or thawed food.
 - Only food that has been cooked to make a ready-to-eat meal (boiled or fried) may be refrozen.
 - Do not store the frozen produce for the max. storage period.
- If it becomes too warm in the refrigerator compartment, heat the warmed food items before eating. If in doubt do not use raw food.

Special functions

[eco]

This function switches the appliance to energy-saving mode.

The appliance automatically sets the following temperatures:

- refrigerator compartment: + 6 °C
- cool-fresh compartment: 0 °C
- freezer compartment: - 16 °C

[eco] switch on/off

1. Press 7 mode button.
2. Keep pressing the 7 mode button until "eco" is marked with an arrow on the display panel.
3. Confirm the selection by pressing 13.

If a bar appears at the side next to the selection, the function is switched on.

[fresh]

With the fresh mode [fresh] food remains fresh even longer.

The appliance automatically sets the following temperatures:

- refrigerator compartment: + 4 °C
- cool-fresh compartment: 0 °C
- freezer compartment: - 18 °C

[fresh] switch on/off

1. Press 7 mode button.
2. Keep pressing the 7 mode button until "fresh" is marked with an arrow on the display panel.
3. Confirm the selection by pressing 13.
If a bar appears at the side next to the selection, the function is switched on.

[vacation]

If leaving the appliance for a long period of time, you can switch the appliance over to the energy-saving holiday mode.

⚠ Caution

Do not store any food in the refrigerator compartment during this time!

The appliance automatically sets the following temperatures:

- refrigerator compartment: + 14 °C
- cool-fresh compartment: + 14 °C

The freezer compartment keeps the set temperatures.

[vacation] switch on/off

1. Press 7 mode button.
2. Keep pressing the 7 mode button until "vacation" is marked with an arrow on the display panel.
3. Confirm the selection by pressing 13.
If a bar appears at the side next to the selection, the function is switched on.

[lock]

The [lock] function can be used to safeguard the appliance from unintentional use.

[lock] switch on/off

1. Press 7 mode button.
2. Keep pressing the 7 mode button until "lock" is marked with an arrow on the display panel.
3. Confirm the selection by pressing 13.
If a bar appears at the side next to the selection, the function is switched on. Settings via the buttons are no longer possible.
Press the "alarm/lock" button 14 for three seconds to cancel the function again.

timer

You can use this function to set a period of time of 1–99 minutes. A signal reminds you, e.g. when food is to be taken out of the compartment after a certain time.

A value of 20 minutes has been preset at the factory.

⚠ Caution

Drinks bottles may crack if they are stored for longer than 20 minutes in the freezer compartment.

Setting and starting the timer

1. Press 9 to select the timer.
2. Press the setting buttons +/- 11 to set the required number of minutes.
3. Press 13 to confirm the setting and start the timer.
The remaining number of minutes is displayed on the timer 10 display panel.
An alarm signal will sound after the number of minutes set has expired.
4. End the alarm signal with the "alarm/lock" button 14.
The timer function has ended.

Usable capacity

Information on the usable capacity can be found inside your appliance on the rating plate (see diagram at chapter "Customer service").

Freezer compartment**Use the freezer compartment**

- To store frozen food.
- To make ice cubes.
- To freeze food.

Note

Ensure that the freezer compartment is always closed properly! If the appliance is open, the frozen food will thaw and the freezer compartment will ice up. Besides: energy is wasted due to the high power consumption!

When closing the freezer compartment, a vacuum is generated, causing a sucking noise. Wait two to three minutes until the vacuum has subsided.

We recommend leaving the ice cube container in the appliance. This ensures optimum temperature distribution in the freezer compartment.

Purchasing frozen food

- Packaging must not be damaged.
- Use by the "use by" date.
- Temperature in the supermarket freezer must be -18 °C or lower.
- If possible, transport deep-frozen food in an insulated bag and place quickly in the freezer compartment.

Max. freezing capacity

Information about the max. freezing capacity within 24 hours can be found on the rating plate (see diagram at chapter "Customer service").

Freezing fresh food

Freeze fresh and undamaged food only.

To retain the best possible nutritional value, flavour and colour, vegetables should be blanched before freezing. Aubergines, peppers, zucchini and asparagus do not require blanching.

Literature on freezing and blanching can be found in bookshops.

Note

Keep food which is to be frozen away from food which is already frozen.

- The following foods are suitable for freezing:
Cakes and pastries, fish and seafood, meat, game, poultry, vegetables, fruit, herbs, eggs without shells, dairy products such as cheese, butter and quark, ready meals and leftovers such as soups, stews, cooked meat and fish, potato dishes, soufflés and desserts.
- The following foods are not suitable for freezing:
Types of vegetables, which are usually consumed raw, such as lettuce or radishes, eggs in shells, grapes, whole apples, pears and peaches, hard-boiled eggs, yoghurt, soured milk, sour cream, crème fraîche and mayonnaise.

Packing frozen food

To prevent food from losing its flavour or drying out, place in airtight containers.

1. Place food in packaging.
2. Remove air.
3. Seal the wrapping.
4. Label packaging with contents and date of freezing.

Suitable packaging:

Plastic film, tubular film made of polyethylene, aluminium foil, freezer containers.
These products are available from specialist outlets.

Unsuitable packaging:

Wrapping paper, greaseproof paper, cellophane, bin liners and used shopping bags.

Items suitable for sealing packaged food:

Rubber bands, plastic clips, string, cold-resistant adhesive tape, etc.

Bags and tubular film made of polyethylene can be sealed with a film heat sealer.

Shelf life of frozen food

Storage duration depends on the type of food.

At a temperature of -18 °C:

- Fish, sausage, ready meals and cakes and pastries:
up to 6 months
- Cheese, poultry and meat:
up to 8 months
- Vegetables and fruit:
up to 12 months

Super freezing

Food should be frozen solid as quickly as possible in order to retain vitamins, nutritional value, appearance and flavour.

Several hours before placing fresh food in the freezer compartment, switch on super freezing to prevent an unwanted temperature rise.

As a rule, 4–6 hours is adequate.

This appliance runs constantly and the freezer compartment drops to a very low temperature.

If the max. freezing capacity is to be used, super freezing must be switched on for 24 hours before the fresh produce is placed in the freezer compartment.

Smaller quantities of food (up to 2 kg) can be frozen without "super freezing".

Note

When super freezing is switched on, increased operating noises may occur.

Switching on and off

1. Press freezer compartment selection button 5.
The freezer compartment display 6 is activated.
2. Press the "super" button 12.
If the freezer compartment display 6 shows "super" and a temperature setting of -30 °C, super freezing has been activated.

Super freezing automatically switches off after approx. 2½ days.

Thawing frozen food

Depending on the type and application, select one of the following options:

- at room temperature
- in the refrigerator
- in an electric oven, with/without fan assisted hot-air
- in the microwave

Caution

Do not refreeze thawing or thawed food. Only ready meals (boiled or fried) may be refrozen.

No longer store the frozen produce for the max. storage period.

Refrigerator compartment

The refrigerator compartment is the ideal storage location for ready meals, cakes and pastries, preserved food, condensed milk and hard cheese.

Storing food

- Store fresh, undamaged food. The quality and freshness will then be retained for longer.
- In the case of ready-made products and bottled goods, observe the best-before date or use-by date specified by the manufacturer.
- To retain aroma, colour and freshness, pack or cover food well before placing in the appliance. This will prevent the transfer of flavours and the discolouration of plastic parts in the refrigerator compartment.
- Allow warm food and drinks to cool down before placing in the appliance.

Note the chill zones in the refrigerator compartment

The air circulation in the refrigerator compartment creates different chill zones.

The coldest zone is right at the bottom in the refrigerator compartment and in the flip tray for large bottles.

The warmest zone is at the very top of the door.

Notes

- Store e.g. hard cheese and butter in the warmest zone. Cheese can then continue to release its aroma and the butter will still be easy to spread.
- Store delicate foods, e.g. fish, sausage, meat, in the cool-fresh compartment (see "The cool-fresh compartment" section).

Opening and closing the refrigerator compartment doors

There is a sealing flap on the left refrigerator compartment door. This sealing flap seals the gap between the refrigerator compartment doors.

Caution

The sealing flap will get damaged if you close the left refrigerator compartment door while the refrigerator compartment door on the right is already closed.

Therefore always close the left refrigerator door first.

Super cooling

Super cooling sets the refrigerator temperature to the coldest temperature setting for approx. 6 hours. Then the appliance automatically switches to the temperature set prior to super cooling mode.

Switch on super cooling mode, e.g.

- before placing large quantities of food in the refrigerator compartment.
- for the fast cooling of drinks.

Note

When super cooling is switched on, increased operating noises may occur.

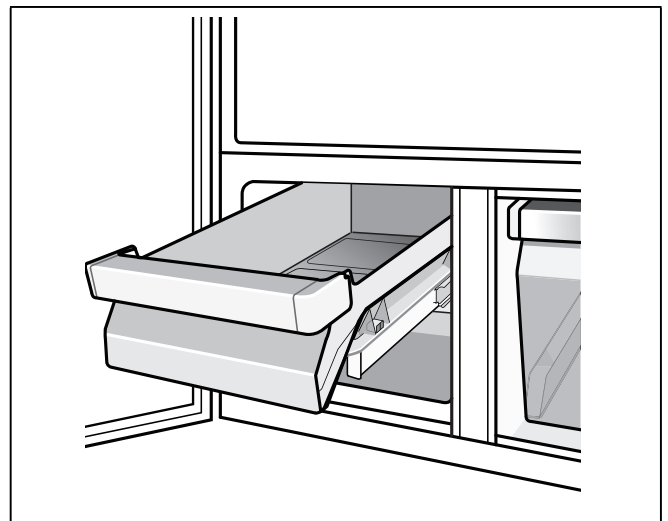
Switching on and off

1. Press the selection button for the refrigerator compartment 1.
The refrigerator compartment display 2 is activated.
2. Press the "super" button 12.
If the refrigerator compartment display 2 shows "super" and a temperature setting of +2 °C, super cooling has been activated.

Cool-fresh container

The temperature in the cool-fresh container is kept at around 0 °C. The low temperature, which can be adjusted specifically to the particular stored food, ensures ideal storage conditions for fresh food.

Food can be stored up to three times longer than in the normal cooling zone without loss of freshness – for even longer freshness, nutrient retention and taste.



Temperatures in the cool-fresh container are lower than in the refrigerator compartment. At the 0 °C setting, temperatures may also drop below 0 °C.

The temperature must be set according to the stored food:

- Fish and meat, 0 °C
- Milk and yogurt, +2 °C
- Fruit and vegetables, +4 °C

Humidity container

The humidity container on the right side of the cool-fresh container is covered with a special filter to optimise retention of the air humidity in the storage compartment. As a result, there is up to 95% air humidity in the humidity container, depending on the amount of products put in. This storage climate offers ideal conditions for fresh fruit, salad greens, vegetables, herbs and mushrooms.

Note

Condensation may form in the humidity container depending on the type and quantity of products stored. Remove condensation with a dry cloth.

Foods suitable for “cool-fresh” container:

In principle all foods which are fresh and are to remain fresh for even longer, such as: fish, seafood, meat and sausage, dairy products, and ready meals.

Foods not suitable for the “cool-fresh” drawer:

Fruit and vegetables sensitive to cold (e.g.: tropical fruit such as pineapples, bananas, papaya, citrus fruits, melons as well as tomatoes, aubergines, zucchini, capsicums, cucumbers, potatoes).

The ideal storage location for these foods is the refrigerator compartment.

When purchasing food, please note:

The “purchase freshness” is important for the shelf-life of your food.

In principle, the following applies: the fresher you store the food in the appliance, the longer it will remain fresh.

Therefore, when buying food, pay attention to the degree of freshness.

In the case of ready-made products and bottled goods, observe the best-before date or use-by date specified by the manufacturer.

Storage times (at 0 °C)

Depending on the initial quality

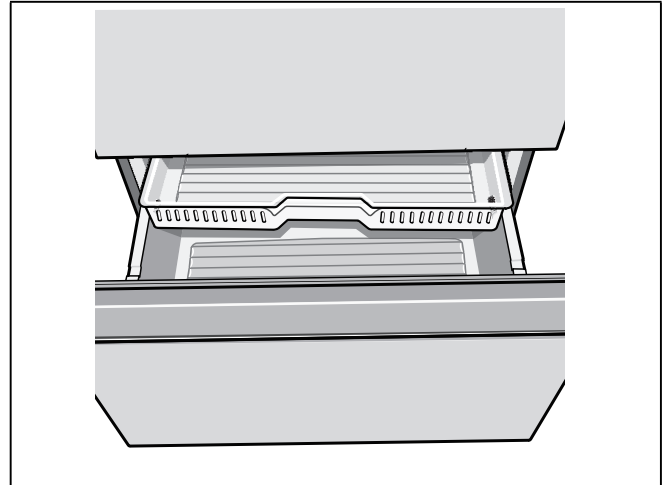
Fresh fish, seafood	up to 3 days
Poultry, meat (boiled/fried)	up to 5 days
Beef, pork, lamb, sausage (cold meat)	up to 7 days
Smoked fish, broccoli	up to 14 days
Salad greens, fennel, apricots, plums	up to 21 days
Soft cheese, yoghurt, quark, buttermilk, cauliflower	up to 30 days

Features of the freezer compartment

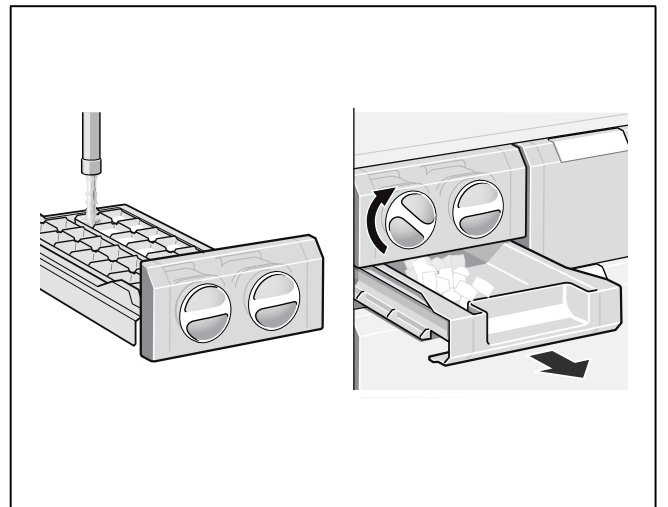
(not all models)

Drawer insert

The insert can be taken out.



Ice maker



1. Remove the ice cube tray, fill $\frac{3}{4}$ full of drinking water and re-insert.
2. When the ice cubes are frozen, rotate the knobs on the ice cube trays several times to the right and release. The ice cubes loosen and fall into the storage container.
3. Remove ice cubes from the storage container.

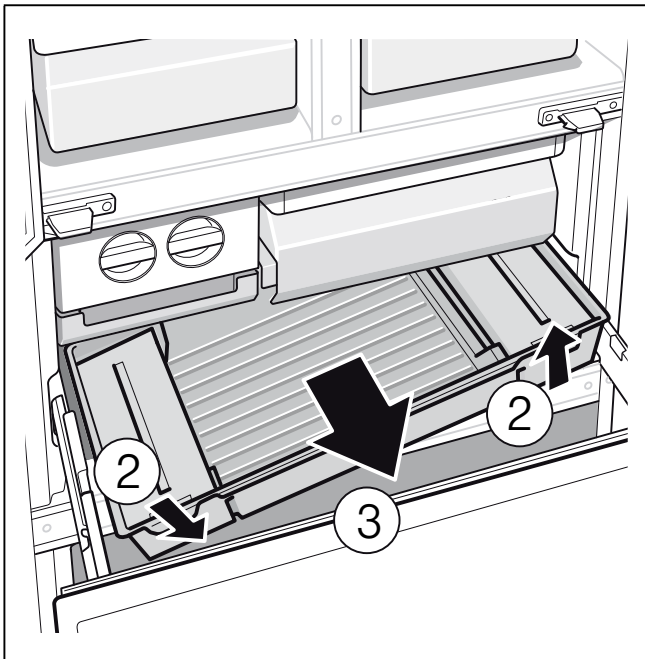
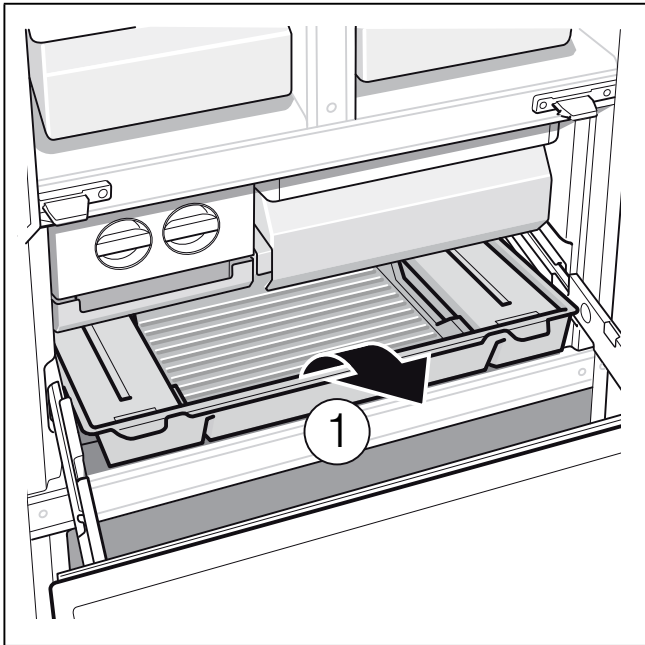
Intermediate floor with ice packs

Ice packs and small frozen food items can be stored neatly in the intermediate floor between the frozen food containers.

If a power failure or malfunction occurs, the ice packs will slow down thawing-out of the frozen food. The longest storage time will be achieved by placing the ice packs on the food in the top compartment.

The ice packs can also be used to cool food temporarily, e.g. in a cool bag.

Once the top frozen food container has been taken out, the intermediate floor can be removed as well.



Variable interior design

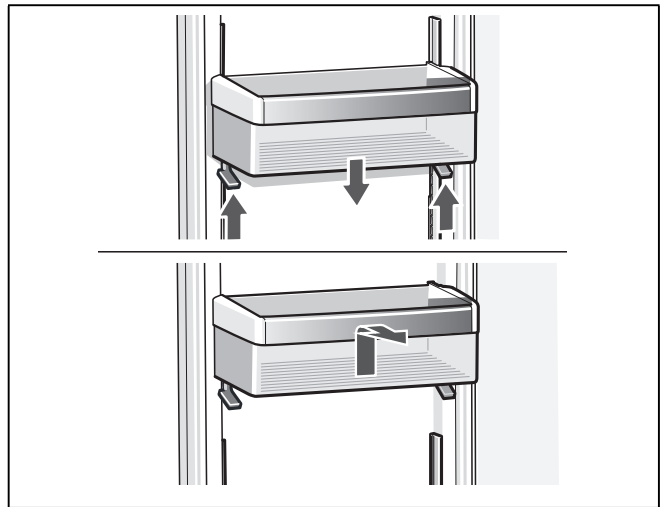
(not all models)

You can vary the flip trays inside the appliance and the containers in the door to suit your requirements.

- Pull shelf forwards, lower and swing out to the side.
- The height of the door shelves can be adjusted without taking them out.

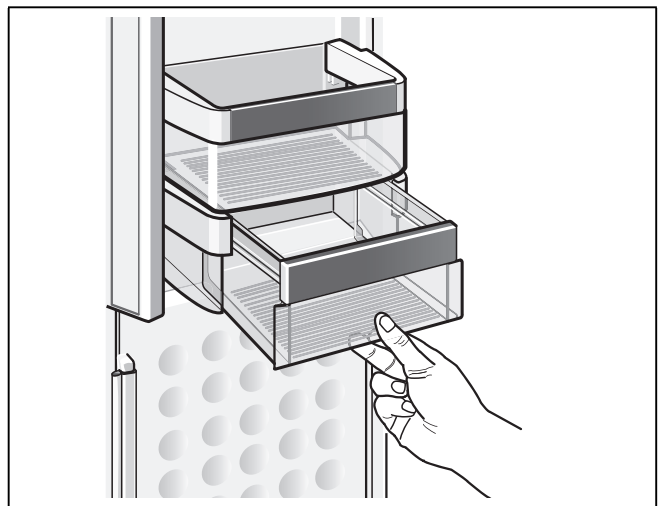
Simultaneously press the buttons on the underside of the door shelves upwards to move the door shelves downwards. They can be moved upwards without pressing the buttons.

To remove: Raise the door shelf and remove.



Butter and cheese compartment

To clean the compartment, lift it at the bottom and take out.



Switching off and disconnecting the appliance

Switching off the appliance

Pull out mains plug or switch off fuse.
Refrigerating unit switches off.

Disconnecting the appliance

If you do not use the appliance for a prolonged period:

1. Switch off the appliance.
2. Pull out mains plug or switch off fuse.
3. Clean the appliance.
4. Leave the appliance door open.

Defrosting

Freezer compartment

The fully automatic NoFrost system ensures that the freezer compartment remains free of ice. Defrosting is no longer required.

Refrigerator compartment

Defrosting is actuated automatically.

The condensation runs through the drainage hole into an evaporation pan on the rear of the appliance.

Cleaning the appliance

Warning

Never clean the appliance with a steam cleaner!

Caution

Do not use abrasive, chloride or acidic cleaning agents or solvents.

Caution

Do not use scouring or abrasive sponges. The metallic surfaces could corrode.

Caution

Never clean shelves and containers in the dishwasher. The parts may become deformed!

Proceed as follows:

1. Pull out the mains plug or switch off the fuse.
2. Take out the frozen food and store in a cool location. Place ice pack (if available) on the food.
3. Wait until the layer of frost has thawed.
4. Clean the appliance with a soft cloth, lukewarm water and a little pH-neutral washing-up liquid. The rinsing water must not drip onto the controls or light.
5. Wipe the door seal with clear water only and then wipe dry thoroughly.
6. After cleaning reconnect the appliance.
7. Put the frozen food back into the appliance.

Interior fittings

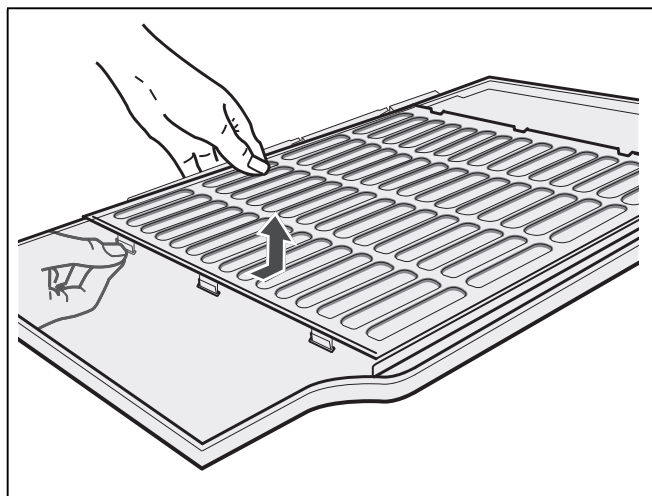
To clean the equipment, all variable parts of the appliance can be taken out (see chapter Variable interior design).

Note

To take out and clean the containers, open the doors fully beyond 90°.

Removing the humidity filter

1. Take out the cool-fresh container on the right first. Then, pull out the humidity filter.
2. Lift off the filter cover, take out the filter, clean in lukewarm water, leave to dry and re-assemble.



Light (LED)

Your appliance features a maintenance-free LED light. These lights may be repaired by customer service or authorised technicians only.

Tips for saving energy

- Install the appliance in a dry, well ventilated room! The appliance should not be installed in direct sunlight or near a heat source (e.g. radiator, cooker). If required, use an insulating plate.
- Do not block the ventilation openings in the appliance.
- Allow warm food and drinks to cool down before placing in the appliance.
- Thaw frozen food in the refrigerator compartment and use the low temperature of the frozen food to cool refrigerated food.
- Open the appliance as briefly as possible.
- Ensure that the freezer compartment door is always closed properly.
- If available:
Fit wall spacers to obtain the indicated energy rating of the appliance (see “Installing the appliance”, section “Ventilation”). A reduced wall gap will not restrict the function of the appliance. The energy rating may then increase slightly.
- The arrangement of the fittings does not affect the energy rating of the appliance.

Operating noises

Quite normal noises

Droning

Motors are running (e.g. refrigerating units, fan).

Bubbling, humming or gurgling noises

Refrigerant is flowing through the tubing.

Clicking

Motor, switches or solenoid valves are switching on/off.

Preventing noises

The appliance is not level

Please align the appliance with a spirit level. Use the height-adjustable feet or place packing underneath them.

The appliance is not free-standing

Please move the appliance away from adjacent units or appliances.

Containers or storage areas wobble or stick

Please check the removable parts and re-insert them correctly if required.

Bottles or receptacles are touching each other

Move the bottles or receptacles slightly away from each other.

Eliminating minor faults yourself

Before you call customer service:

Please check whether you can eliminate the fault yourself based on the following information.

Run an appliance self-test (see chapter “Appliance self-test”).

Customer service will charge you for advice even if the appliance is still under guarantee!

Fault	Possible cause	Remedial action
Temperature differs greatly from the set value.		In some cases it is adequate to switch off the appliance for 5 minutes. If the temperature is too high wait a few hours and check whether the temperature has approached the set value. If the temperature is too low check the temperature again the next day.
Displays do not illuminate.	Power failure; the fuse has been switched off; the mains plug has not been inserted properly.	Connect mains plug. Check whether the power is on, check the fuses.
An warning signal sounds. The alarm button 14 is lit.	Fault - the freezer compartment is too warm!	To switch off the warning signal, press the alarm button 14.
	Appliance is open.	Close the appliance.
	Ventilation openings have been covered.	Ensure that there is adequate ventilation.
	Too much food was placed in the freezer at once.	Do not exceed max. freezing capacity. When the fault has been eliminated, the alarm button goes out shortly afterwards.
The light does not work.	The light is defective.	(See chapter “Light”.)
The side panels of the appliance are warm.	Pipes run into the side panels which heat during the cooling process.	That is normal behaviour for the appliance and not a fault.
Appliance has no refrigeration capacity. The light does not work. The display does not illuminate.	Power failure.	Check whether the power is on.
	The fuse has been switched off.	Check the fuse.
	The mains plug has not been inserted properly.	Check whether the mains plug is secure.
The refrigerating unit is switching on more frequently and for longer.	Appliance opened frequently.	Do not open the appliance unnecessarily.
	The ventilation openings have been covered.	Remove obstacles.
	Large quantities of fresh food are being frozen.	Do not exceed max. freezing capacity.

Appliance self-test

Your appliance features an automatic self-test program which shows you sources of faults which may be repaired by customer service only.

Starting the appliance self-test

1. Switch off the appliance and wait 5 minutes.
2. Switch the appliance on again.
3. Press the mode button 7 and the confirmation button 13 simultaneously for 5 seconds.

The self-test programme starts. If "E.." is indicated on the display panel, an error has occurred. If this fault is displayed, inform customer service.

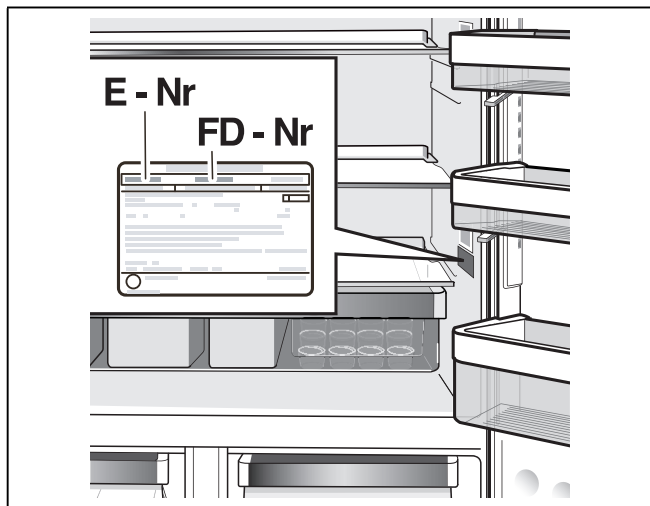
Ending the appliance self-test

Press the mode button 7 and the confirmation button 13 again simultaneously for 5 seconds.

Customer service

Your local customer service can be found in the telephone directory or in the customer service index. Please provide customer service with the appliance product number (E-Nr.) and production number (FD-Nr.).

These specifications can be found on the rating plate.



To prevent unnecessary call-outs, please assist customer service by quoting the product and production numbers. This will save you additional costs.

Repair order and advice on faults

Contact information for all countries can be found on the enclosed customer service list.

GB	0344 892 8999	Calls charged at local or mobile rate.
IE	01450 2655	0.03 € per minute at peak. Off peak 0.0088 € per minute.
US	866 447 4363	toll-free

it Indice

Avvertenze di sicurezza e potenziale pericolo	22
Avvertenze per lo smaltimento	23
Dotazione	24
Installare l'apparecchio	24
Misure d'installazione	25
Angolo di apertura della porta	25
Livellare l'apparecchio	25
Montaggio delle coperture delle maniglie	26
Collegare l'apparecchio	26
Smontaggio delle porte dell'apparecchio	26
Conoscere l'apparecchio	27
Accensione dell'apparecchio	29
Impostazione della temperatura	29
Funzione di allarme	29
Funzioni speciali	29
Capacità utile totale	30
Il congelatore	30
Max. capacità di congelamento	30
Congelamento di alimenti freschi	31
Super-congelamento	31
Decongelare surgelati	32
Il frigorifero	32
Super-raffreddamento	32
Il cassetto freschezza	33
Dotazione del congelatore	33
Disposizione variabile dell'attrezzatura interna	35
Spegnere e mettere fuori servizio l'apparecchio	35
Scongelamento	35
Pulizia dell'apparecchio	35
Illuminazione (LED)	36
Risparmiare energia	36
Rumori di funzionamento	36
Eliminare piccoli guasti	37
Autotest dell'apparecchio	38
Servizio di assistenza clienti	38

⚠ Avvertenze di sicurezza e potenziale pericolo

Prima di mettere in funzione l'apparecchio

Leggere attentamente tutte le istruzioni per l'uso ed il montaggio. Esse contengono importanti informazioni per l'installazione, l'uso e la manutenzione dell'apparecchio.

Il produttore non è responsabile se voi trascurate le indicazioni ed avvertenze del libretto d'istruzioni per l'uso. Conservare tutta la documentazione per l'uso futuro oppure per eventuali successivi proprietari.

Elementi tecnici di sicurezza

Questo apparecchio contiene una piccola quantità di gas refrigerante (R600a), un gas Eco-Compatibile, ma infiammabile.

Prevenire danneggiamenti ai raccordi del circuito refrigerante durante il trasporto o l'installazione dell'apparecchio. Il gas fuoriuscendo per effetto della pressione, può provocare irritazioni agli occhi.

In caso di danni:

- tenere lontano dall'apparecchio fiamme o fonti di accensione,
- ventilare l'ambiente per alcuni minuti,
- spegnere l'apparecchio ed estrarre la spina di alimentazione elettrica,
- informare il Servizio Assistenza Clienti autorizzato.

La quantità di gas refrigerante contenuta nel vostro apparecchio, circa 8 gr. è indicata nella targhetta d'identificazione posta all'interno dell'apparecchio. Nel caso in cui il cavo di collegamento elettrico dovesse subire danni, è necessario sostituirlo,

coinvolgere il servizio assistenza clienti autorizzato o un elettricista qualificato ad eseguire questa operazione.

Installazioni o riparazioni eseguite da personale non autorizzato, possono potenzialmente creare pericolo per l'utente e danni all'apparecchio. Le riparazioni vanno eseguite dal servizio assistenza clienti autorizzato

Le riparazioni vanno eseguite dal servizio assistenza clienti autorizzato o da personale qualificato ad eseguire questa operazione.

È consentito usare solo parti di ricambio originali del costruttore. Solo con l'impiego di detti componenti il costruttore garantisce che i requisiti di sicurezza del prodotto siano rispettati.

Il prolungamento del cavo elettrico di alimentazione deve essere eseguito dal servizio assistenza clienti autorizzato.

Nell'impiego quotidiano

- Non introdurre mai apparecchi elettrici nell'interno di questo elettrodomestico (es. apparecchi di riscaldamento, produttori di ghiaccio elettrici ecc.). Pericolo di esplosione!
- Non sbrinare o pulire mai l'apparecchio con una pulitrice a vapore. Il vapore può raggiungere parti elettriche e provocare un cortocircuito. Pericolo di scarica elettrica!
- Non utilizzare oggetti appuntiti o affilati per rimuovere gli strati di brina o ghiaccio. E' possibile danneggiare i raccordi del circuito refrigerante, che rende inservibile l'apparecchio. Il gas fuoriuscendo per effetto della pressione, può provocare irritazioni agli occhi.
- Non conservare nell'apparecchio prodotti contenenti propellenti gassosi combustibili (per es. bombolette spray) e sostanze infiammabili. Pericolo di esplosione!
- Non usare impropriamente lo zoccolo, i cassetti estraibili, le porte ecc. quale punto di appoggio o come sostegno.
- Per la pulizia estrarre la spina d'alimentazione o disinserire l'interruttore di sicurezza. Evitare di esercitare trazioni sul cordone elettrico, ma impugnare correttamente la spina.
- Conservare alcool ad alta gradazione in un contenitore ermeticamente chiuso, e posto in posizione verticale.
- Evitare che olii o grassi imbrattino parti plastiche o le guarnizioni delle porte. I grassi aggrediscono il materiale plastico e la guarnizione della porta diventano fragili e porose.
- Non ostruire le aperture di passaggio dell'aria di aereazione dell'apparecchio.

■ Evitare pericoli a bambini e persone a rischio:

Sono esposti a pericolo i bambini e le persone con limiti fisici, psichici o percettivi ed altresì persone, sprovviste di sufficiente conoscenza del sicuro funzionamento dell'apparecchio.

Accertarsi che i bambini e le persone a rischio abbiano ben compreso i pericoli.

Una persona responsabile della sicurezza è tenuto a sorvegliare o istruire i bambini e le persone a rischio in rapporto con l'apparecchio.

Permettere l'uso dell'apparecchio solo a bambini in età di 8 anni o superiore.

Sorvegliare i bambini durante la pulizia e la manutenzione.

Non permettere che i bambini giochino con l'apparecchio.

- Non conservare nel congelatore liquidi in bottiglia e lattine (specialmente le bevande contenenti anidride carbonica). Bottiglie e lattine possono rompersi!
- Non mettere in bocca alimenti congelati appena presi dal congelatore. Pericolo di ustioni!
- Evitare il contatto prolungato delle mani con alimenti congelati, ghiaccio o i raccordi dell'evaporatore ecc. Pericolo di ustioni!

Bambini in casa

- Non abbandonare parti dell'imballaggio che possano essere fonte di gioco per i bambini. Pericolo di soffocamento causato da scatole di cartone, fogli di plastica, polistirolo!
- L'apparecchio non è un giocattolo per bambini!
- Per apparecchi con serratura della porta: conservare la chiave fuori della portata dei bambini!

Norme generali

L'apparecchio è idoneo

- per raffreddare e congelare alimenti,
- per preparare ghiaccio.

Questo apparecchio è destinato all'uso domestico privato nelle famiglie ed all'ambiente domestico.

L'apparecchio è schermato contro i radiodisturbi secondo la direttiva UE 2004/108/EC.

La tenuta ermetica del circuito del freddo è stata controllata.

Questo prodotto è conforme alle pertinenti norme di sicurezza per gli apparecchi elettrici (EN 60335-2-24).

Questo apparecchio è progettato solo per l'utilizzo fino ad un'altezza di massimo 2000 metri sul livello del mare.

Avvertenze per lo smaltimento

Smaltimento dell'imballaggio

L'imballaggio ha protetto l'apparecchio da eventuali danni da trasporto. Tutti i materiali impiegati sono Eco-Compatibili e riciclabili. Il Vostro contributo: smaltite l'imballaggio secondo la vigente norme.

Chiedere informazioni circa le piattaforme di smaltimento locale alla propria amministrazione comunale.

Rottamazione di un apparecchio dismesso

Gli apparecchi dismessi dispongono ancora di un valore residuo! Un corretto smaltimento nel rispetto dell'ecologia, permette di recuperare materie prime pregiate.



Questo apparecchio dispone di contrassegno ai sensi della direttiva europea 2012/19/UE in materia di apparecchi elettrici ed elettronici (waste electrical and electronic equipment - WEEE).

Questa direttiva definisce le norme per la raccolta e il riciclaggio degli apparecchi dismessi valide su tutto il territorio dell'Unione Europea.

Avviso

In caso di apparecchi fuori uso

1. Estrarre la spina di alimentazione.
2. Troncare il cavo elettrico di collegamento e rimuoverlo unitamente alla spina.
3. Non estrarre i ripiani e i contenitori, questo rende più difficile ai bambini di entrare nel vano frigo dell'apparecchio!
4. Vietare ai bambini di giocare con un apparecchio dismesso. Pericolo di asfissia!

I frigoriferi contengono gas nel circuito refrigerante e gas nell'isolamento. Refrigerante e gas devono essere smaltiti in modo appropriato. Evitare di danneggiare i raccordi del circuito refrigerante, durante il conferimento dell'apparecchio alla piattaforma di riciclaggio.

Dotazione

Dopo il disimballo controllare l'apparecchio per accertare eventuali danni di trasporto.

In caso di contestazioni rivolgersi al Vs. fornitore, presso il quale l'apparecchio è stato acquistato.

La dotazione comprende i seguenti componenti:

- Apparecchio
- Busta con il materiale utile al montaggio
- Accessori (a secondo del modello)
- Istruzioni per l'uso
- Libretto del servizio assistenza clienti autorizzato
- Allegato di garanzia convenzionale
- Informazioni sul consumo energetico e sui possibili rumori

Installare l'apparecchio

Trasporto

L'apparecchio è pesante. Fissarlo durante il trasporto e il montaggio!

A causa del peso e delle dimensioni dell'apparecchio e per ridurre al minimo il rischio di lesioni o danni all'apparecchio, sono necessarie almeno due persone per l'installazione sicura dell'apparecchio.

Luogo d'installazione

Per l'installazione è idoneo un ambiente asciutto ventilato. Il luogo d'installazione non deve essere esposto all'irradiazione solare diretta e non essere vicino ad una fonte di calore, come stufa, calorifero ecc. Se è inevitabile l'installazione accanto ad una fonte di calore, utilizzare un idoneo pannello isolante, oppure rispettate le seguenti distanze minime dalla fonte di calore.

- Da cucine elettriche o a gas: 3 cm.
- Da stufe ad olio o a carbone: 30 cm.

In caso d'installazione in affiancamento ad un frigorifero o congelatore, è necessario rispettare una distanza di minimo 25 mm, per evitare la formazione di condensa.

Se sopra l'apparecchio si monta un pannello oppure un pensile, prevedere una fessura di 30 mm per permettere, in caso di necessità, di estrarre l'apparecchio dalla nicchia.

L'aria calda prodotta posteriormente dall'apparecchio deve poter liberamente fuoriuscire.

Fondo d'appoggio

Attenzione

L'apparecchio è molto pesante.

Versione: 158 kg

Il pavimento nel luogo d'installazione non deve cedere, rinforzarlo se necessario.

Per permettere un'apertura completa delle porte, rispettare le distanze minime laterali in caso d'installazione in un angolo o in una nicchia (vedi capitolo «Misure di installazione»).

Se la profondità dei mobili posti a lato dell'apparecchio supera i 60 cm, rispettare le distanze minime laterali per permettere una completa apertura delle porte (vedi capitolo «Angolo di apertura delle porte»).

Osservare la temperatura ambiente e la ventilazione

Temperatura ambiente

La classe climatica è indicata nella targhetta porta-dati. Essa indica i limiti di temperatura entro i quali l'apparecchio può funzionare correttamente.

La targhetta porta-dati si trova in basso a destra nel vano frigorifero.

Classe climatica	Temperatura ambiente ammessa
SN	da +10 °C a 32 °C
N	da +16 °C a 32 °C
ST	da +16 °C a 38 °C
T	da +16 °C a 43 °C

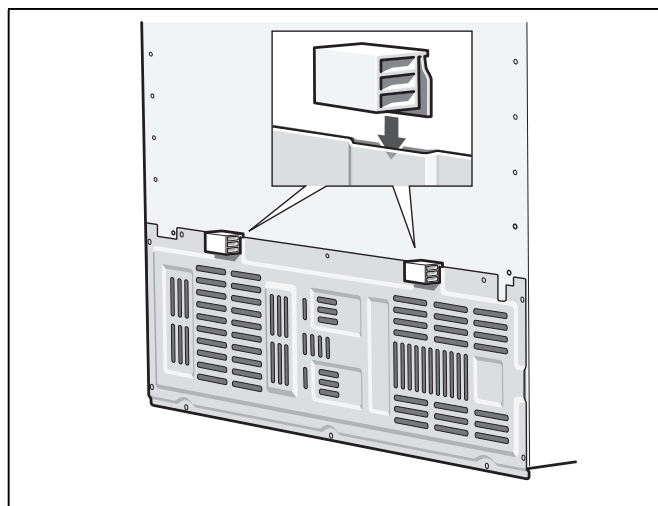
Avvertenza

L'apparecchio è perfettamente efficiente nei limiti di temperatura ambiente della classe climatica indicata. Se un apparecchio della classe climatica SN viene messo in funzione a temperature ambiente inferiori, possono essere esclusi danni all'apparecchio fino ad una temperatura di +5 °C.

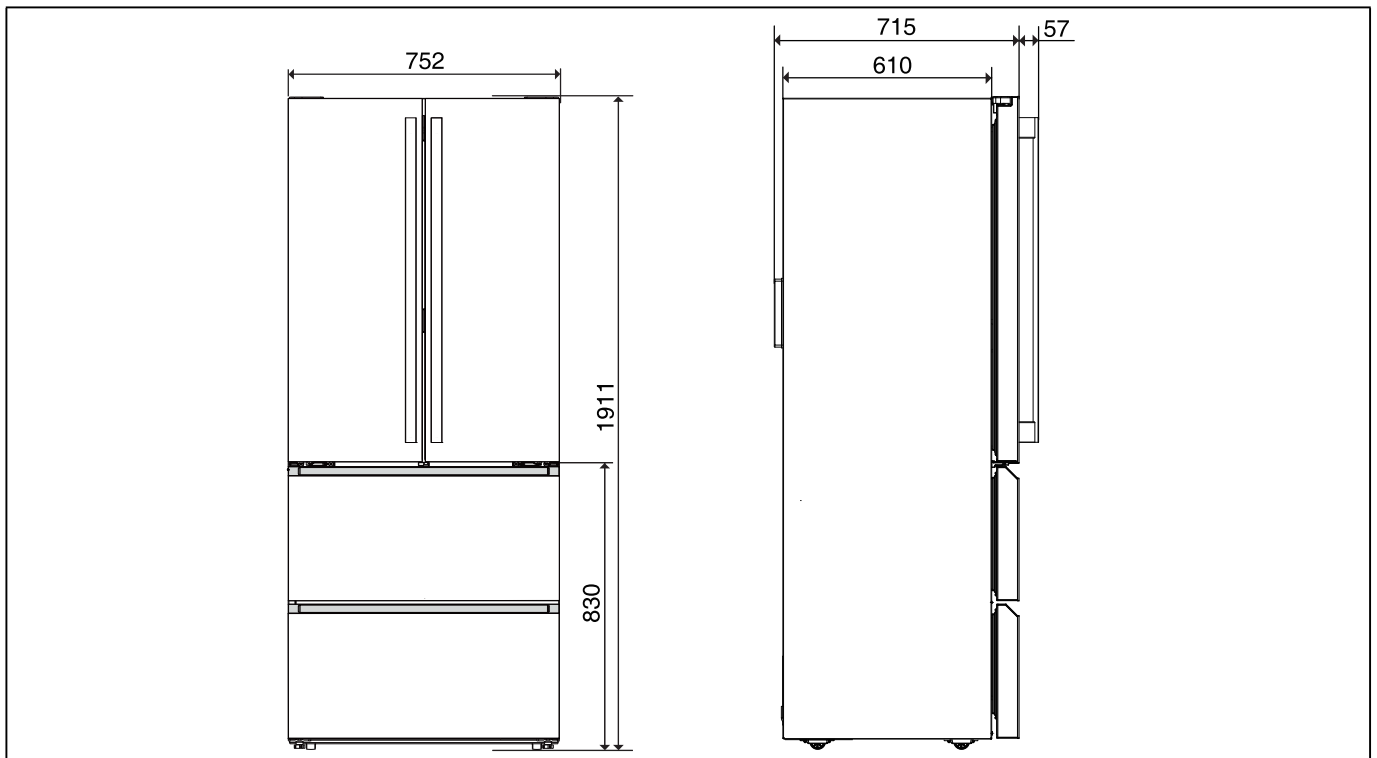
Ventilazione

Evitare assolutamente di coprire le aperture di afflusso e deflusso dell'aria sulla parete posteriore dell'apparecchio. L'aria riscaldata deve poter defluire liberamente. In caso contrario il refrigeratore deve lavorare di più. Questo aumenta il consumo di energia elettrica.

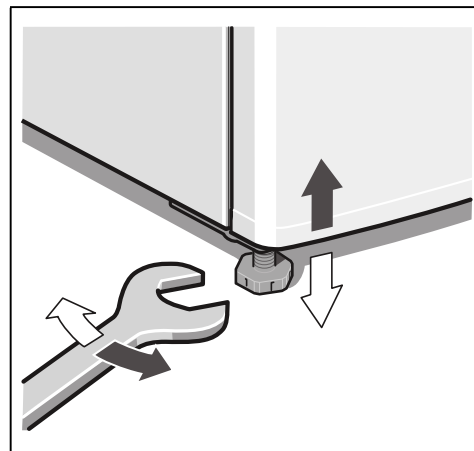
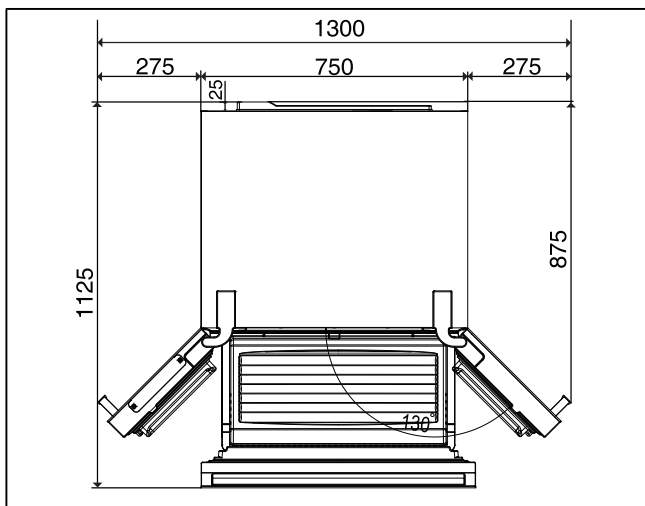
Inserire gli acclusi distanziatori sull'apposito supporto sul lato posteriore dell'apparecchio. Viene garantita la distanza minima dalla parete.



Misure d'installazione



Angolo di apertura della porta



Allineamento delle porte

L'apparecchio prevede dispositivi che consentono di regolare le porte.

1. Aprire le due porte del frigorifero e il cassetto più in alto del congelatore.
2. Sotto le cerniere inferiori delle porte del frigorifero si trova una vite.
Utilizzare un cacciavite a croce per allineare le porte regolando le viti.
3. Ad ogni giro della vite in senso orario la porta corrispondente viene alzata di 1,5 mm.
L'altezza massima regolabile è di 3 mm.

Livellare l'apparecchio

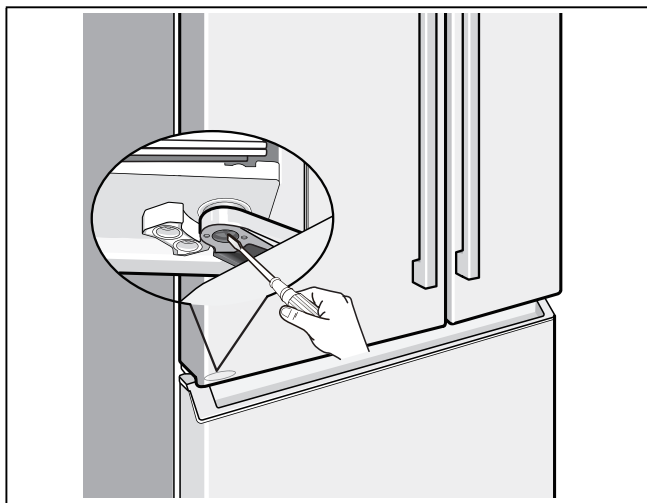
Disporre e livellare l'apparecchio nel luogo previsto. L'apparecchio deve poggiare stabilmente sul pavimento ed essere livellato. Compensare le disuguaglianze del pavimento per mezzo dei due piedini a vite anteriori. Per regolare i piedini a vite utilizzare un cacciavite.

Avvertenza

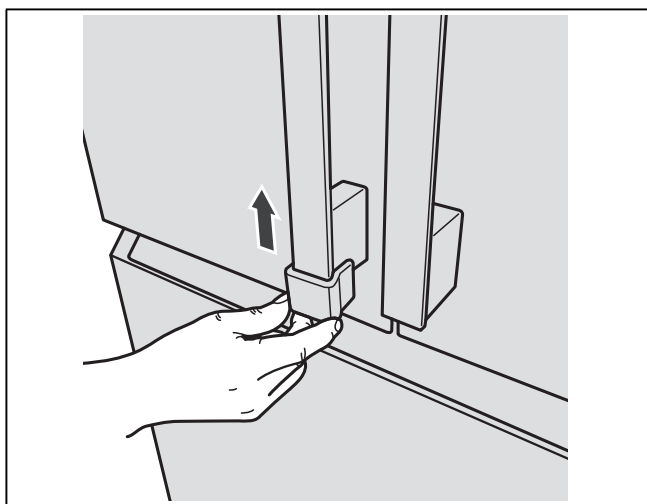
L'apparecchio deve essere verticale. Livellarlo con una livella a bolla d'aria.

Avvertenza

Per poter girare le viti più facilmente, le porte devono essere vuote. Si può inoltre facilitare la regolazione delle porte sollevandole un po'.

**Montaggio delle coperture delle maniglie**

Montare le coperture fornite sugli spigoli delle maniglie. Si evita così che i bambini si feriscano con gli spigoli.

**Collegare l'apparecchio**

L'installazione e il collegamento dell'apparecchio devono essere eseguiti da un tecnico specializzato secondo le istruzioni di installazione.

Rimuovere i fermi di trasporto dei ripiani e balconcini solo dopo l'installazione.

Oltre alla norme nazionali prescritte dalla legge, rispettare le condizioni di allacciamento della locale azienda di distribuzione dell'elettricità.

Dopo avere collocato l'apparecchio, attendere almeno 1 ora prima di metterlo in funzione. Questo assicura che l'olio lubrificante si raccolga nella parte bassa del motore e non penetri nel circuito di raffreddamento.

Pulire l'interno dell'apparecchio prima di attivarne la funzione (vedi capitolo Pulizia dell'apparecchio).

Allacciamento elettrico

La presa elettrica deve essere vicino all'apparecchio ed accessibile anche ad installazione avvenuta dell'apparecchio.

L'apparecchio è conforme alla classe di isolamento I. Collegare l'apparecchio alla corrente alternata a 220-240 V/50 Hz tramite una presa installata a norma con conduttore di terra. La presa deve essere protetta con dispositivo elettrico di sicurezza da 10-16 A.

Apparecchi che vengono impiegati in paesi extraeuropei, controllare la targhetta porta-dati se la tensione ed il tipo di corrente indicati corrispondono ai valori della propria rete elettrica. Questi dati sono riportati nella targhetta porta-dati (vedi capitolo «Servizio Assistenza Clienti»).

⚠ Avviso

I nostri apparecchi possono essere collegati ad un inverter sinusoidale di rete.

Gli inverter di rete vengono utilizzati in abbinamento a impianti fotovoltaici e collegati direttamente alla rete elettrica pubblica. Usare inverter sinusoidali nel caso di soluzioni speciali (es. imbarcazioni oppure nelle baite in montagna), laddove non sia disponibile un collegamento elettrico diretto alla rete pubblica.

Smontaggio delle porte dell'apparecchio

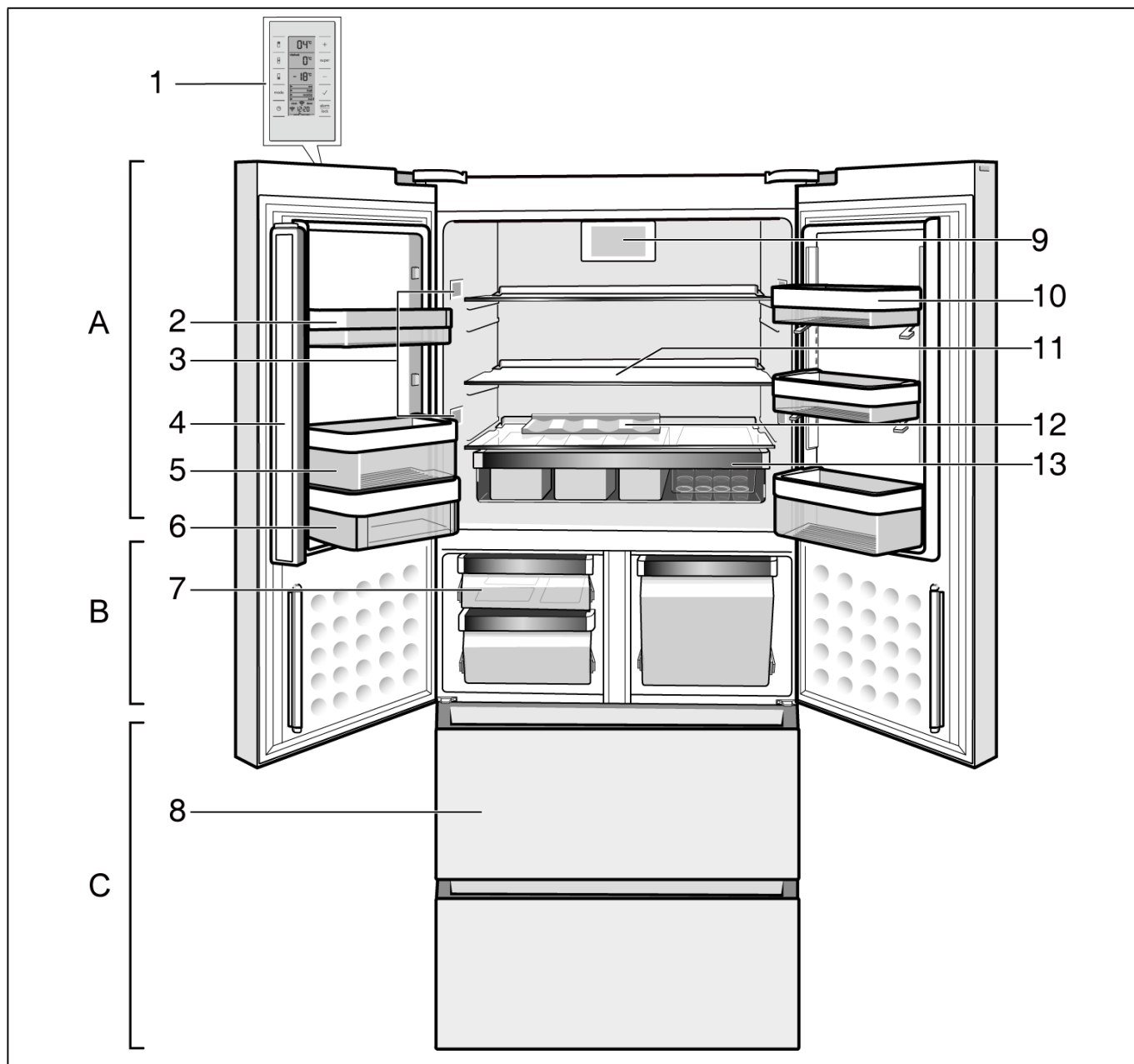
Se l'apparecchio non passa attraverso la porta dell'abitazione, le porte dell'apparecchio possono essere svitate.

⚠ Attenzione

Lo smontaggio delle porte dell'apparecchio deve essere eseguito solo dal Servizio Assistenza Clienti.

Conoscere l'apparecchio

Questo libretto d'istruzioni per l'uso è valido per diversi modelli. Nelle illustrazioni sono possibili differenze.



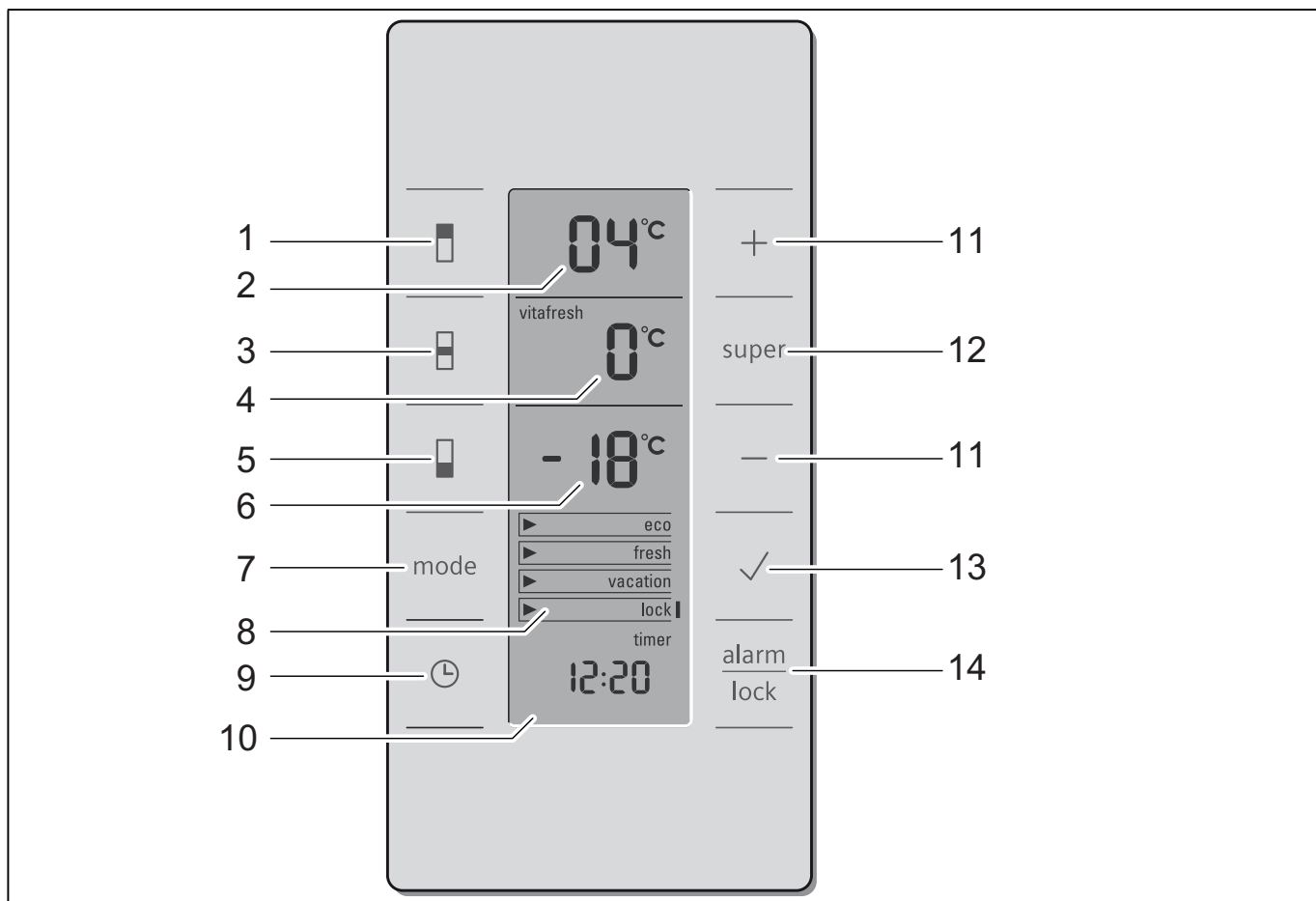
* Non in tutti i modelli.

- A Frigorifero
- B Vano a 0 °C
- C Congelatore
- 1 Pannello comandi e visualizzazione
- 2 Balconcino per bottigliette
- 3 Illuminazione del frigorifero
- 4 Guarnizione porta
- 5 Ripiano per bottiglie grandi

- 6 Scomparto per burro e formaggio
- 7 Cassetto freschezza
- 8 Cassetto surgelati
- 9 Ventola
- 10 Balconcino regolabile in altezza (EasyLift)
- 11 Ripiano di vetro nel frigorifero
- 12 Ripiano bottiglie
- 13 Snack-box

Pannello comandi e visualizzazione

Il pannello dei comandi integrato nella porta è a sensori sensibili al tatto. Toccando un pulsante si attiva la corrispondente funzione.



- | | |
|---|---|
| <p>1 Tasto di selezione per il vano frigorifero
Permette di impostare la temperatura per il vano frigorifero.</p> <p>2 Display frigorifero
Indica la regolazione di temperatura attuale nel frigorifero.</p> <p>3 Pulsante di selezione del vano a 0 °C
Permette la regolazione della temperatura nel vano a 0 °C.</p> <p>4 Indicazione cassetto freschezza
Indica la regolazione di temperatura attuale nel cassetto freschezza.</p> <p>5 Tasto di selezione del congelatore
Permette la regolazione della temperatura nel congelatore.</p> <p>6 Display congelatore
Indica la regolazione di temperatura attuale nel congelatore.</p> <p>7 Pulsante «mode»
Per la selezione delle funzioni speciali. Vedi capitolo «Funzioni speciali».</p> <p>8 Indicazione di funzioni speciali
Vedi capitolo «Funzioni speciali».</p> <p>9 Pulsante «timer»
Con questa funzione si può regolare un limite di tempo ed essere avvisati con un segnale acustico. Vedi capitolo «Funzioni speciali».</p> | <p>10 Indicatore del timer
Indica il conteggio del tempo quando la funzione speciale timer è attivata.</p> <p>11 Pulsanti di regolazione +/-
I pulsanti servono per</p> <ul style="list-style-type: none"> ■ regolare le temperature delle diverse zone di raffreddamento, ■ variare l'impostazione di tempo della funzione speciale «timer». <p>12 Pulsante «super»
Serve per attivare le funzioni super-raffreddamento (frigorifero) e super-congelamento (congelatore) (vedi il capitolo Super-raffreddamento e/o il capitolo Super-congelamento).</p> <p>13 Pulsante di conferma
Questo pulsante serve come pulsante di conferma delle funzioni speciali selezionate.</p> <p>14 Pulsante «alarm/lock»
Questo pulsante serve per</p> <ul style="list-style-type: none"> ■ la disattivazione del segnale acustico di allarme (vedi capitolo «Funzione di allarme»), ■ il disinserimento del blocco pulsanti (vedi capitolo «Funzioni speciali»). |
|---|---|

Accensione dell'apparecchio

L'apparecchio si accende al collegamento.

Viene emesso un segnale acustico. Il display della temperatura del congelatore 6 e la spia di allarme si accendono.

Premere il pulsante di allarme 14. Il segnale acustico si disattiva e la spia di allarme smette di lampeggiare.

Il display della temperatura del congelatore 6 indica la temperatura regolata.

La spia «alarm» si spegne quando l'apparecchio ha raggiunto la temperatura regolata.

Le temperature predefinite vengono raggiunte dopo diverse ore. Durante questo periodo non introdurre alimenti nell'apparecchio.

Impostazione della temperatura

Per eseguire regolazioni dell'apparecchio:

1. Con i pulsanti di selezione frigorifero 1, vano a 0 °C 3 oppure congelatore 5 selezionare la zona desiderata.
2. Con i pulsanti di regolazione +/- 11 regolare la temperatura desiderata.

Frigorifero

(regolabile da +2 °C a +10 °C)

La regolazione consigliata è +4 °C.

Gli alimenti delicati non devono essere conservati a temperatura superiore ai +4 °C.

Vano a 0 °C

(regolabile da 0 °C a +8 °C)

La regolazione consigliata è 0 °C.

Avvertenza

Se sugli alimenti refrigerati nel vano a 0 °C si forma ghiaccio, regolare la temperatura ad un valore più alto!

Congelatore

(regolabile da -16 °C a -26 °C)

La regolazione consigliata è -18 °C.

Funzione di allarme

Premendo il pulsante di allarme il segnale acustico si disattiva.

Un segnale acustico di allarme può essere emesso nei casi seguenti:

Allarme porta

Se l'apparecchio resta aperto a lungo scatta l'allarme porta (segnale acustico continuo). Il segnale acustico si disattiva chiudendo la porta o premendo il pulsante di allarme 14.

Allarme temperatura

L'allarme temperatura entra in funzione quando la temperatura nell'apparecchio aumenta troppo e gli alimenti sono in pericolo.

Senza pericolo per gli alimenti, il segnale acustico ed ottico di allarme può essere emesso:

- Alla prima messa in funzione dell'apparecchio.
- All'introduzione di grandi quantità di alimenti freschi.

Nel relativo campo viene indicato «alarm» e viene emesso un segnale acustico.

Premendo il pulsante di allarme, il display della temperatura indica per diversi secondi la temperatura più alta raggiunta nel congelatore. Quindi viene nuovamente visualizzata la temperatura impostata.

La spia «alarm» si spegne non appena la temperatura regolata è stata di nuovo raggiunta.

Avvertenze

- Non ricongelare gli alimenti parzialmente o completamente scongelati.
Possono essere ricongelati soltanto dopo essere stati trasformati in alimenti pronti (cotti o arrostiti). Considerare una durata di conservazione inferiore.
- Se la temperatura nel frigorifero è diventata troppo calda, riscaldare gli alimenti prima del consumo. Nel dubbio non utilizzare mai gli alimenti crudi.

Funzioni speciali

[eco]

Con questa funzione si commuta l'apparecchio al funzionamento a risparmio energetico.

L'apparecchio regola automaticamente le seguenti temperature:

- Frigorifero: + 6 °C
- Vano a 0 °C: 0 °C
- Congelatore: - 16 °C

Attivazione e disattivazione di [eco]

1. Premere il pulsante mode 7.
2. Premere il pulsante mode 7 finché nel campo «eco» non è indicata una freccia.
3. Confermare la selezione con il pulsante 13.
Se di fianco alla selezione è visualizzata una colonna, la funzione è attivata.

[fresh]

Con la modalità freschezza [fresh] gli alimenti si conservano ancora più a lungo.

L'apparecchio regola automaticamente le seguenti temperature:

- Frigorifero: + 4 °C
- Vano a 0 °C: 0 °C
- Congelatore: - 18 °C

Attivazione e disattivazione di [fresh]

1. Premere il pulsante mode 7.
2. Premere il pulsante mode 7 finché nel campo «fresh» non è indicata una freccia.
3. Confermare la selezione con il pulsante 13.
Se di fianco alla selezione è visualizzata una colonna, la funzione è attivata.

[vacation]

In caso di assenza prolungata si può commutare l'apparecchio nel modo Vacanza, per il risparmio energetico.

⚠ Attenzione

In questo periodo non immettere alimenti nel frigorifero!

L'apparecchio regola automaticamente le seguenti temperature:

- Frigorifero: + 14 °C
- Vano a 0 °C: + 14 °C

Il congelatore mantiene le temperature impostate.

Attivazione e disattivazione di [vacation]

1. Premere il pulsante mode 7.
2. Premere il pulsante mode 7 finché nel campo «vacation» non è indicata una freccia.
3. Confermare la selezione con il pulsante 13.
Se di fianco alla selezione è visualizzata una colonna, la funzione è attivata.

[lock]

Con la funzione «lock» si può proteggere l'apparecchio contro l'uso indesiderato.

Attivazione e disattivazione di [lock]

1. Premere il pulsante mode 7.
2. Premere il pulsante mode 7 finché nel campo «lock» non è indicata una freccia.
3. Confermare la selezione con il pulsante 13.
Se di fianco alla selezione è visualizzata una colonna, la funzione è attivata. Non è più possibile effettuare impostazioni tramite i pulsanti.
Premere per 3 secondi il pulsante «alarm/lock» 14 per disattivare la funzione.

«timer»

Con questa funzione si può impostare un tempo da 1 a 99 minuti. Un segnale avverte, per es. quando gli alimenti dopo un certo tempo devono essere tolti dal vano.

All'origine è impostato un valore di 20 minuti.

⚠ Attenzione

Le bottiglie di bevande, se depositate nel congelatore per oltre 20 minuti, possono esplodere.

Impostazione del timer e avvio

1. Premere il pulsante di selezione «timer» 9.
2. Con i pulsanti di regolazione +/- 11 regolare i minuti desiderati.
3. Confermare l'impostazione con il pulsante di conferma 13 e avviare il timer.
Nel campo del timer 10 vengono visualizzati i minuti rimanenti.
Al termine dei minuti impostati viene emesso un segnale di allarme.
4. Far terminare il segnale d'allarme con il pulsante «alarm/lock» 14.
La funzione timer è terminata.

Capacità utile totale

Trovate i dati circa la capienza utile dell'apparecchio sulla targhetta porta-dati (vedi figura nel capitolo «Servizio Assistenza Clienti»).

Il congelatore**Usare il congelatore**

- per conservare surgelati.
- per produrre cubetti di ghiaccio.
- per congelare alimenti.

Avvertenza

Prestare sempre attenzione che il congelatore sia sempre chiuso! Se l'apparecchio è aperto gli alimenti surgelati si scongelano e il congelatore forma molto ghiaccio. Inoltre: spreco di energia a causa di alto consumo di corrente elettrica!

Alla chiusura del congelatore si forma una depressione che produce un rumore simile a un risucchio. Attendere due o tre minuti che la depressione si compensi.

Consigliamo di lasciare il contenitore di cubetti di ghiaccio nell'apparecchio. Con ciò è garantita una distribuzione ottimale della temperatura nel congelatore.

Acquisto di alimenti surgelati

- La confezione non deve essere danneggiata.
- Rispettare la data di conservazione.
- La temperatura nell'espositore-congelatore di vendita deve essere -18 °C o inferiore.
- Trasportare gli alimenti surgelati possibilmente in una borsa termica e conservarli poi al più presto possibile nel congelatore.

Max. capacità di congelamento

Indicazioni sulla max. possibilità di congelamento in 24 ore sono riportate sulla targhetta d'identificazione (vedi figura nel capitolo «Servizio Assistenza Clienti»).

Congelamento di alimenti freschi

Per il congelamento utilizzare solo alimenti freschi ed integri.

Per conservare al meglio valore nutritivo, aroma e colore, sbollentare la verdura prima di congelarla. Non è necessario sbollentare melanzane, peperoni, zucchine ed asparagi.

In libreria sono reperibili pubblicazioni sul congelamento e la sbollentatura.

Avvertenza

Non mettere gli alimenti da congelare in contatto con quelli congelati.

- Sono idonei per il congelamento:
Prodotti da forno, pesce e frutti di mare, carne, selvaggina, pollame, verdura, frutta, erbe aromatiche, uova senza guscio, latticini, come formaggio, burro e ricotta, pietanze pronte e residui vivande, come minestre, piatti unici, carne e pesce cotti a fuoco lento, vivande di patate, sfornati e dolci.
- Non sono idonei per il congelamento:
Tipi di ortaggi, che solitamente si consumano crudi, come insalate in foglia o ravanelli, uova nel guscio, uva, mele intere, pere e pesche, uova sode, yogurt, latte cagliato, panna acida, crème fraîche e maionese.

Confezionamento di alimenti surgelati

Conservare gli alimenti in confezioni ermetiche, per evitare che perdano il loro gusto o possano essiccarsi.

1. Introdurre l'alimento nella confezione.
2. Fare uscire l'aria.
3. Chiudere la confezione ermeticamente.
4. Scrivere sulla confezione il contenuto e la data di congelamento.

Sono idonei per il confezionamento:

fogli di plastica, fogli tubolari di polietilene, fogli di alluminio, contenitori per surgelati.

Questi prodotti sono in vendita nel commercio specializzato.

Non sono idonei per il confezionamento:

carta per imballaggio, carta pergamena, cellofan, sacchetti per rifiuti e sacchetti per la spesa usati.

Sono idonei per chiudere le confezioni:

anelli di gomma, clip di plastica, fili per legare, nastri adesivi resistenti al freddo e simili.

I sacchetti ed i fogli tubolari di polietilene possono essere saldati con un saldatore per fogli di plastica.

Durata di conservazione dei surgelati

La durata di conservazione dipende dal tipo di alimento.

Ad una temperatura di -18 °C:

- Pesce, salsiccia, pietanze pronte, prodotti da forno:
fino a 6 mesi
- Formaggio, pollame, carne:
fino a 8 mesi
- Verdura, frutta:
fino a 12 mesi

Super-congelamento

Per conservare vitamine, valori nutritivi, aspetto e gusto, gli alimenti devono essere congelati completamente, anche nell'interno, nel tempo più breve possibile.

Per evitare un indesiderato aumento della temperatura, inserire il super-congelamento alcune ore prima di introdurre alimenti freschi.

In linea di massima sono sufficienti 4-6 ore.

Dopo l'inserimento l'apparecchio funziona costantemente, nel congelatore si raggiunge una temperatura molto bassa.

Se si vuole utilizzare la max. possibilità di congelamento, il super-congelamento deve essere attivato 24 ore prima di introdurre gli alimenti freschi.

Le quantità di alimenti più piccole (fino ad 2 kg) possono essere congelate senza super-congelamento.

Avvertenza

Con il super-congelamento inserito, maggiori sono i rumori di funzionamento.

Attivazione e disattivazione

1. Premere il pulsante di selezione del congelatore 5.
Si attiva il display del congelatore 6.
2. Premere il pulsante «super» 12.

Se sul display del congelatore sono indicati 6 «super» e una temperatura impostata a -30 °C, il super-congelamento è attivato.

Dopo circa 2 giorni e ½ il super-congelamento si disinserisce automaticamente.

Decongellare surgelati

A seconda del genere e dell'uso, utilizzare una delle seguenti possibilità:

- a temperatura ambiente
- nel frigorifero
- nel forno elettrico, con/senza ventola aria calda
- nel forno a microonde

Attenzione

Non ricongelare gli alimenti parzialmente o completamente decongelati. Questi possono essere di nuovo congelati solo dopo avere preparato (mediante qualsiasi tipo di cottura) pietanze pronte all'uso.

Non utilizzare più la durata max. di conservazione.

Il frigorifero

Il frigorifero è il luogo di conservazione ideale per alimenti pronti, prodotti da forno, conserve alimentari, latte condensato e formaggi duri.

Tenere presente nella conservazione

- Conservare alimenti freschi, integri. Così la qualità e la freschezza si conservano più a lungo.
- Per i prodotti pronti ed alimenti confezionati osservare la data minima di conservazione o la data di consumo indicata dal produttore.
- Sistemare gli alimenti ben confezionati o coperti, per conservare aroma, colore e freschezza. Si evitano così contaminazioni di gusto e alterazioni di colore delle parti di plastica nel frigorifero.
- Fare prima raffreddare gli alimenti e le bevande caldi, poi metterli nell'apparecchio.

Considerare le zone più fredde nel frigorifero

La circolazione dell'aria nel frigorifero genera zone con temperature differenti.

La zona più fredda è quella più in basso e nel balconcino per le bottiglie grandi.

La zona meno fredda è nella parte più alta della porta.

Avvertenze

- Conservare nella zona meno fredda ad es. formaggio duro e burro. Il formaggio può così continuare a diffondere il suo aroma e il burro resta spalmabile.
- Conservare nel vano a 0 °C alimenti delicati, come ad es. pesce, salumi, carne (vedi capitolo «Il vano a 0 °C»).

Apertura e chiusura delle porte del frigorifero

Sulla porta sinistra del frigorifero si trova una guarnizione. Questa guarnizione chiude la fessura tra le porte del frigorifero.

Attenzione

La guarnizione si danneggia se si chiude la porta sinistra del frigorifero mentre la porta destra è già chiusa.

Chiudere quindi sempre prima la porta sinistra.

Super-raffreddamento

Durante il super-raffreddamento il vano frigorifero viene raffreddato quanto più possibile per ca. 6 ore. In seguito viene regolato automaticamente alla temperatura impostata prima del super-raffreddamento. Inserire il super-raffreddamento per es.

- prima d'introdurre grandi quantità di alimenti.
- per il raffreddamento rapido di bevande.

Avvertenza

Con il super-raffreddamento del frigo attivo, i rumori determinati dal funzionamento saranno maggiori.

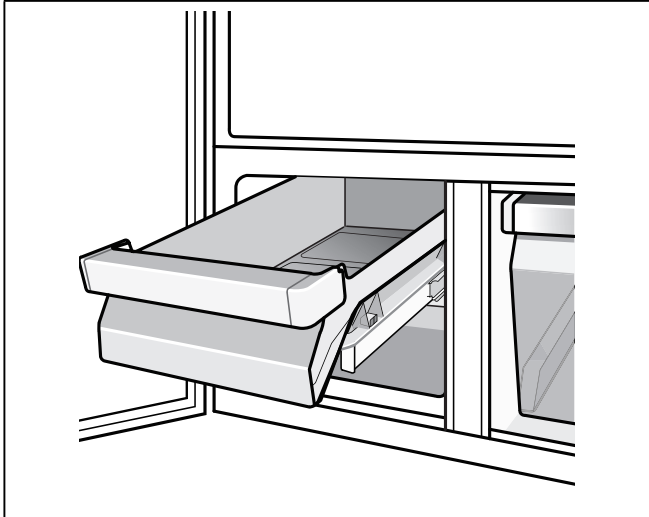
Attivazione e disattivazione

1. Premere il pulsante di selezione del frigorifero 1.
Si attiva il display del frigorifero 2.
2. Premere il pulsante «super» 12.
Se sul display del frigorifero sono indicati 2 «super» e una temperatura impostata a +2 °C, il super-raffreddamento è attivato.

Il cassetto freschezza

La temperatura nel cassetto freschezza viene mantenuta prossima a 0 °C. La bassa temperatura, che può essere specificamente adeguata al rispettivo prodotto conservato, garantisce ideali condizioni di conservazione per alimenti freschi.

Gli alimenti possono essere conservati senza perdita di freschezza per una durata fino a tre volte maggiore rispetto alla normale zona frigo – per conservare ancora più a lungo freschezza, sostanze nutritive e gusto.



Le temperature nel cassetto freschezza sono più basse rispetto al vano frigorifero. Con la regolazione 0 °C possono anche essere raggiunte temperature inferiori a 0 °C.

Regolare la temperatura a seconda degli alimenti conservati:

- Carne e pesce, 0 °C
- Latte e yogurt, +2 °C
- Frutta e verdura, +4 °C

Cassetto umidità

Il cassetto umidità del lato destro del vano a 0 °C è coperto con un filtro speciale che ottimizza la ritenzione dell'umidità dell'aria nel vano di conservazione. Grazie ad esso nel cassetto umidità, a seconda del carico, è presente una umidità dell'aria fino al 95%. Questo clima di conservazione permette condizioni ideali per la freschezza di frutta, insalata, verdura, erbe aromatiche o funghi.

Avvertenza

A seconda della quantità e del prodotto conservato, nel cassetto umidità può formarsi condensa. Rimuovere la condensa con un panno asciutto.

Sono idonei per la conservazione a 0 °C:

In generale tutti gli alimenti freschi, che si devono conservare ancora a lungo freschi, come ad es. pesce, frutti di mare, carne, affettati, latticini e pietanze pronte.

Non sono idonei per la conservazione a 0 °C:

Frutta e verdura sensibili al freddo (per es.: frutta tropicale, come ananas, banane, papaie, frutti della passione, meloni e pomodori, melanzane, zucchine, peperoni, cetrioli, patate).

Il luogo di conservazione ideale per questi alimenti è il frigorifero.

Nell'acquisto di alimenti tenere presente:

Importante per la durata di conservazione dei propri alimenti è la «freschezza all'acquisto».

In linea di massima vale il principio: quanto più freschi sono gli alimenti conservati nell'apparecchio tanto più a lungo si conservano freschi.

Al momento dell'acquisto prestare perciò sempre attenzione alla freschezza degli alimenti.

Per i prodotti pronti ed alimenti confezionati osservare la data minima di conservazione o la data di consumo indicata dal produttore.

Tempi di conservazione (a 0 °C)

a seconda della qualità iniziale

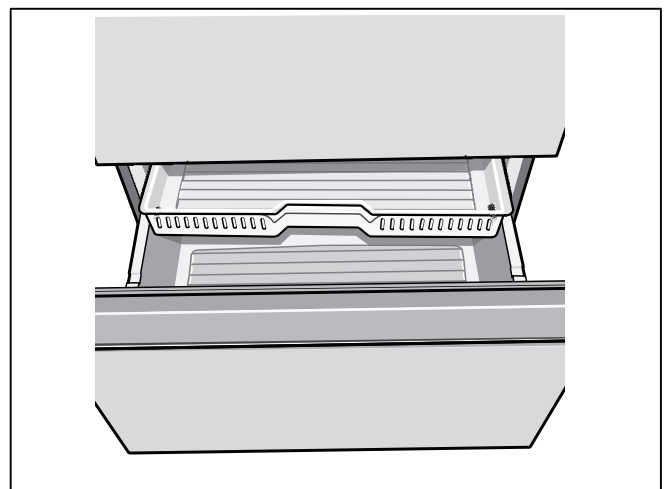
Pesce fresco, frutti di mare	fino a 3 giorni
Pollame, carne (cotti/arrostiti)	fino a 5 giorni
Manzo, suino, agnello, salumi (affettati)	fino a 7 giorni
Pesce affumicato, broccoli	fino a 14 giorni
Insalata, finocchio, albicocche, prugne	fino a 21 giorni
Formaggio tenero, yogurt, ricotta, latticello, cavolfiore	fino a 30 giorni

Dotazione del congelatore

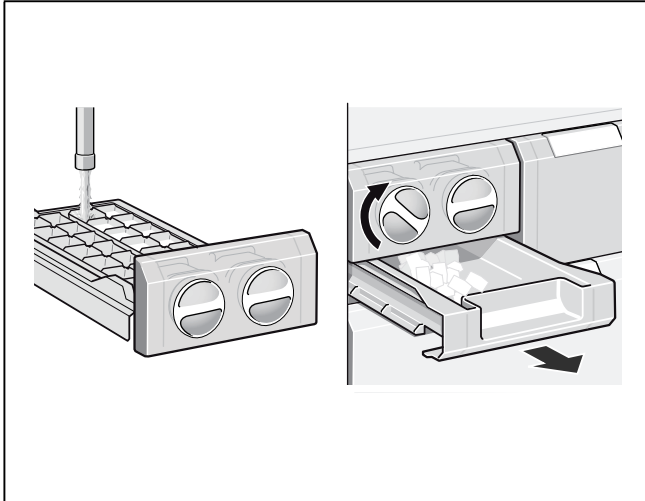
(non in tutti i modelli)

Inserto del cassetto

L'inserto può essere estratto.



Produttore di ghiaccio



1. Estrarre la vaschetta del ghiaccio, riempirla per $\frac{3}{4}$ con acqua potabile ed inserirla di nuovo.
2. Quando i cubetti si sono consolidati, ruotare ripetutamente le manopole delle vaschette per ghiaccio verso destra e lasciarle. I cubetti di ghiaccio si staccano e cadono nel contenitore di raccolta.
3. Prelevare i cubetti di ghiaccio dal contenitore di raccolta.

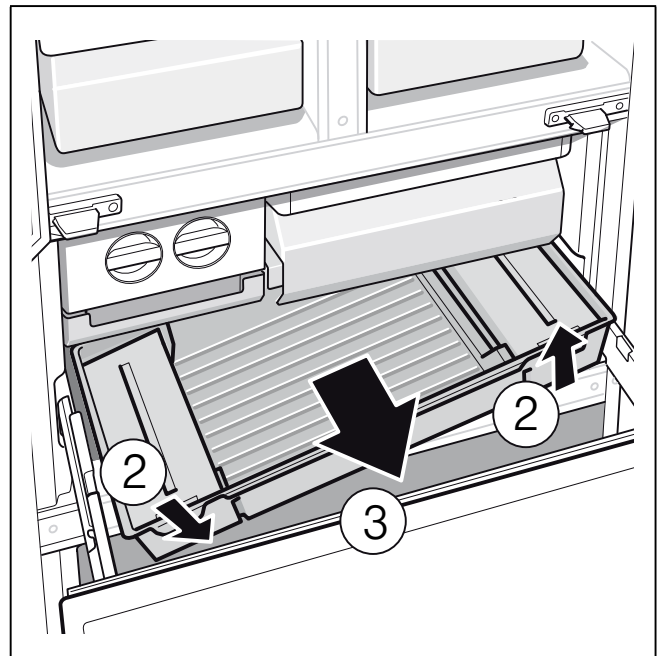
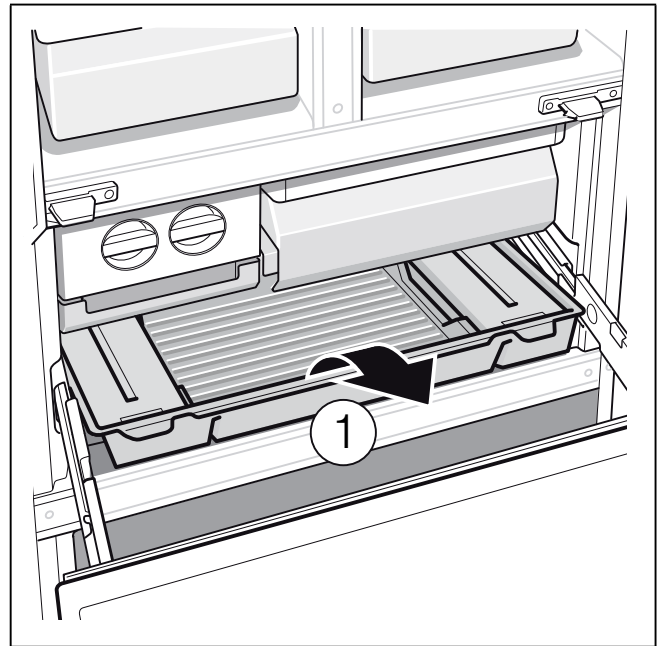
Ripiano intermedio con accumulatori di freddo

Nel ripiano intermedio tra i contenitori per surgelati possono essere conservati ordinatamente gli accumulatori di freddo e piccoli surgelati.

Gli accumulatori di freddo ritardano il riscaldamento dei surgelati conservati in caso d'interruzione dell'energia elettrica o di guasto. La durata massima di conservazione si raggiunge sistemando gli accumulatori di freddo sopra gli alimenti nello scomparto superiore.

Gli accumulatori di freddo possono essere estratti anche per raffreddare temporaneamente alimenti, per es. in una borsa frigo.

Dopo avere estratto il contenitore di surgelati superiore, può essere rimosso anche il ripiano intermedio.



Disposizione variabile dell'attrezzatura interna

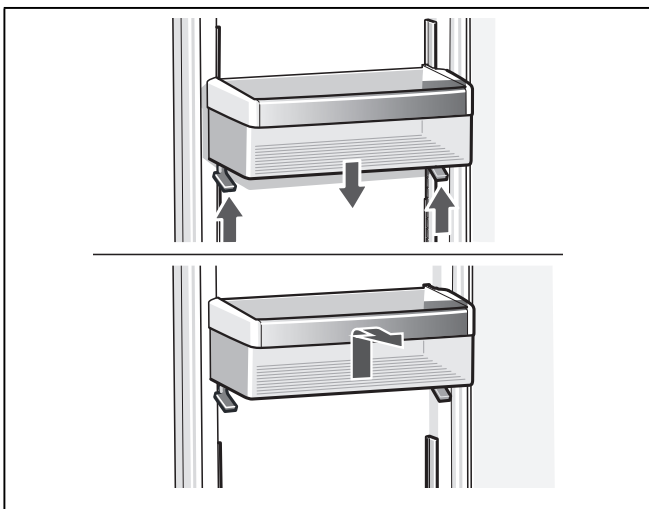
(non in tutti i modelli)

I ripiani interni ed i contenitori della porta possono essere spostati secondo necessità.

- Tirare i ripiani in avanti, abbassarli e ruotarli lateralmente.
- I balconcini della porta possono essere spostati in altezza senza essere estratti.

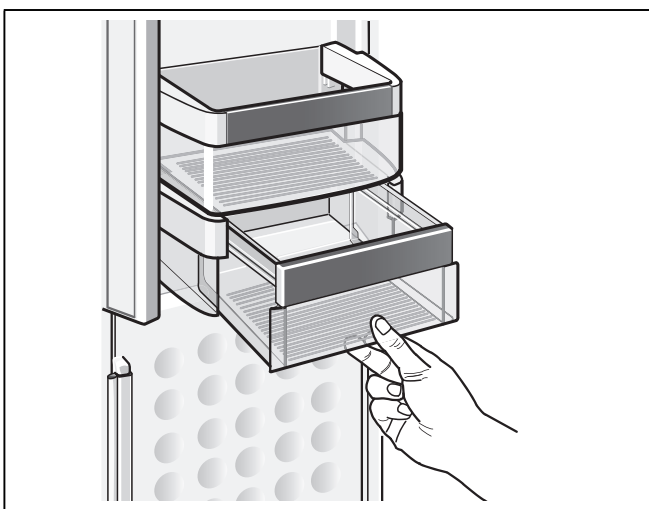
Per spostare i balconcini della porta in basso, premere contemporaneamente verso l'alto i pulsanti sul lato inferiore dei balconcini. Essi possono essere spostati in alto senza premere i pulsanti.

Per toglierli: sollevare il balconcino ed estrarlo.



Scomparto per burro e formaggio

Per una corretta pulizia sollevare lo scomparto ed estrarlo.



Spegnere e mettere fuori servizio l'apparecchio

Spegnere l'apparecchio

Estrarre la spina di alimentazione o disinserire il dispositivo elettrico di sicurezza.

Il refrigeratore si spegne.

Mettere fuori servizio l'apparecchio

Quando non si usa l'apparecchio per un lungo periodo:

1. Spegnere l'apparecchio.
2. Estrarre la spina di alimentazione o disinserire il dispositivo elettrico di sicurezza.
3. Pulire l'apparecchio.
4. Lasciare aperta la porta dell'apparecchio.

Scongelamento

Congelatore

Grazie al sistema automatico NoFrost nel congelatore non si forma mai ghiaccio. Uno sbrinamento non è più necessario.

Frigorifero

Lo sbrinamento è automatico.

L'acqua di sbrinamento scorre attraverso il foro di drenaggio in una vaschetta di evaporazione, posizionata nel lato posteriore dell'apparecchio.

Pulizia dell'apparecchio

⚠ Avviso

Non pulire mai l'apparecchio con una pulitrice a vapore!

⚠ Attenzione

Per la pulizia non utilizzare prodotti abrasivi, solventi o acidi.

⚠ Attenzione

Non usare spugne abrasive o spugne che graffiano. Sulle superfici metalliche potrebbe formarsi macchie da corrosione.

⚠ Attenzione

Non lavare mai in lavastoviglie i ripiani ed i contenitori. Questi elementi si possono deformare!

Procedere come segue:

1. Estrarre la spina di alimentazione o disinserire il dispositivo di sicurezza.
2. Estrarre gli alimenti surgelati e depositarli in un luogo fresco. Disporre l'accumulatore del freddo (se disponibile) sugli alimenti.
3. Attendere lo sbrinamento dello strato di brina.
4. Pulire l'apparecchio con un panno morbido e acqua tiepida leggermente saponata. L'acqua con detersivo non deve penetrare nei elementi di comando o nell'illuminazione.
5. Lavare la guarnizione della porta solo con acqua pulita e poi asciugarla con cura.
6. Dopo la pulizia: ricollegare l'apparecchio.
7. Introdurre di nuovo i surgelati.

Dotazione

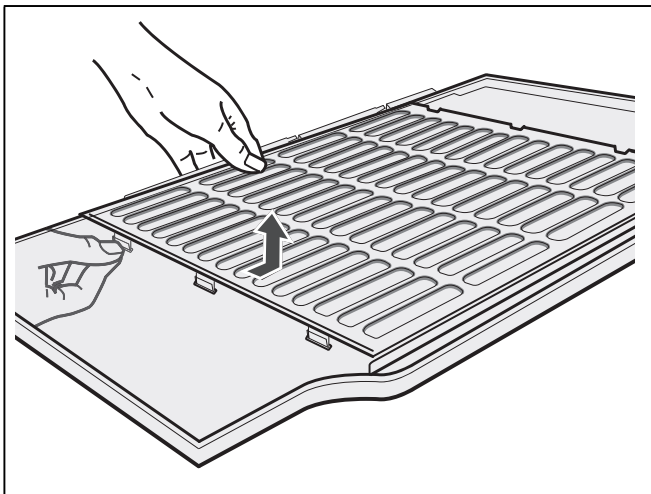
Per permettere la pulizia, è possibile rimuovere tutti i componenti estraibili dell'apparecchio (vedi il capitolo «Posizione variabile dei componenti di dotazione interna»).

Avvertenza

Per estrarre e pulire i cassettei, aprire completamente le porte oltre 90°.

Estrazione del filtro umidità

1. Per prima cosa estrarre il cassetto freschezza destro. Quindi estrarre il filtro umidità.
2. Sollevare il coperchio del filtro, estrarre il filtro, lavarlo in acqua tiepida, lasciarlo asciugare e rimontarlo.



Illuminazione (LED)

L'apparecchio è dotato di un'illuminazione a LED esente da manutenzione.

Riparazioni a questa illuminazione deve essere eseguite solo dal Servizio Assistenza Clienti autorizzato.

Risparmiare energia

- Installare l'apparecchio in un ambiente asciutto ventilabile. L'apparecchio non deve essere esposto direttamente al sole o vicino ad una fonte di calore (per es. calorifero, stufa). Altrimenti usare un pannello isolante.
- Non ostruire le aperture di afflusso e deflusso dell'aria dell'apparecchio.
- Lasciare raffreddare gli alimenti e le bevande, se caldi, prima di introdurli nell'apparecchio.
- Per scongelare un alimento surgelato metterlo nel frigorifero, si utilizza così il freddo del surgelato per il raffreddamento degli alimenti.
- Aprire la porta dell'apparecchio il tempo più breve possibile.
- Attenzione che la porta del congelatore sia chiusa correttamente.
- Se disponibile:
Per evitare sprechi di energia, applicare i distanziatori dal muro (vedi capitolo «Installare l'apparecchio», «Ventilazione»). Una minore distanza dal muro non influisce sulla funzionalità dell'apparecchio. Può tuttavia causare una piccola aumentazione di assorbimento di energia.
- La disposizione delle parti dell'attrezzatura non ha influenza sull'assorbimento di energia dell'apparecchio.

Rumori di funzionamento

Rumori normali

Ronzio

Motori in funzione (ad es. gruppi frigoriferi, ventilatore).

Gorgoglio, scroscio o fruscio

Derivano dal gas refrigerante, che circola nei i raccordi del circuito refrigerante.

Breve scatto

Motore, interruttori ed elettrovalvole s'inseriscono/ disinseriscono.

Evitare i rumori

L'apparecchio non è correttamente livellato

Livellare l'apparecchio con una livella a bolla d'aria. A tal fine utilizzare i piedini a vite o inserire uno spessore.

L'apparecchio è in contatto laterale

Allontanare l'apparecchio dai mobili o apparecchi con i quali è in contatto.

I contenitori o i ripiani traballano o non sono correttamente inseriti

Controllare le parti estraibili ed eventualmente inserirle di nuovo correttamente.

I contenitori all'interno dell'apparecchio si toccano tra loro

Allontanare un poco le bottiglie o i contenitori.

Eliminare piccoli guasti

Prima di rivolgersi al Servizio Assistenza Clienti:

provare ad eliminare autonomamente l'inconveniente con l'aiuto delle seguenti istruzioni.

Eseguire il programma di autotest dell'apparecchio (vedi capitolo «Autotest dell'apparecchio»).

L'intervento del Servizio Assistenza Clienti in caso di corretto funzionamento del prodotto, è a carico del consumatore.

Guasto	Causa possibile	Rimedio
La temperatura si discosta notevolmente dalle impostazioni iniziali.		In alcuni casi basta spegnere l'apparecchio per 5 minuti. Se la temperatura è troppo alta, controllare dopo qualche ora se vi è stata una normalizzazione della temperatura. Se la temperatura è troppo bassa, ricontrollare la temperatura il giorno seguente.
Tutte le spie spente.	Interruzione dell'energia elettrica; è scattato il dispositivo elettrico di sicurezza; la spina d'alimentazione non è inserita correttamente.	Collegare la spina di alimentazione. Controllare se vi è energia elettrica e controllare il dispositivo elettrico di sicurezza.
Emissione del segnale acustico. Il pulsante di allarme 14 è acceso.	Guasto - la temperatura nel congelatore è troppo alta!	Per disattivare il segnale acustico, premere il pulsante di allarme 14.
	La porta dell'apparecchio è aperta.	Chiudere la porta.
	I passaggi dell'aria per l'aerazione sono ostruiti.	Provvedere a liberare le bocchette di passaggio dell'aria.
	Troppi alimenti sono stati messi a congelare insieme in una sola volta.	Non superare la capacità massima di congelamento.
		Eliminato l'inconveniente, dopo qualche tempo il pulsante di allarme si spegne.
L'illuminazione non funziona.	L'illuminazione è difettosa.	(Vedi capitolo «Illuminazione».)
Le pareti laterali dell'apparecchio sono calde.	Nelle pareti laterali sono posati tubi che si riscaldano durante il raffreddamento.	Si tratta del funzionamento normale dell'apparecchio, non di un guasto.
L'apparecchio non ha potenza di raffreddamento.	Interruzione dell'energia elettrica.	Controllare se vi è energia elettrica.
	L'interruttore di sicurezza è scattato.	Controllare il dispositivo elettrico di sicurezza.
L'illuminazione non funziona. Il display è spento.	La spina d'alimentazione non è inserita correttamente.	Controllare se la spina di alimentazione è inserita correttamente.
Il refrigeratore si accende sempre più spesso e più a lungo.	Frequente apertura della porta dell'apparecchio.	Non aprire inutilmente la porta.
	I passaggi dell'aria per l'aerazione sono ostruiti.	Liberare le aperture.
	Congelamento di grandi quantità di alimenti freschi.	Non superare la quantità massima di congelamento.

Autotest dell'apparecchio

Questo apparecchio dispone di un programma automatico di autotest che individua cause ed inconvenienti che possono essere eliminati solo dal Servizio Assistenza Clienti.

Avviare l'autotest dell'apparecchio

1. Spegnere l'apparecchio ed attendere 5 minuti.
2. Accendere di nuovo l'apparecchio.
3. Premere contemporaneamente il pulsante mode 7 e il pulsante di conferma 13 per 5 secondi.

Il programma di autodiagnosi ha inizio. Se nel display appare «E.» è presente un guasto. Con questo messaggio di guasto informare il Servizio Assistenza Clienti.

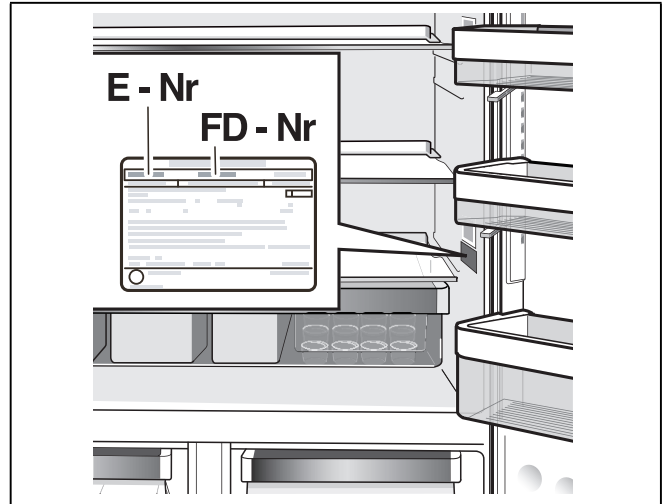
Terminare l'autotest dell'apparecchio

Premere di nuovo contemporaneamente il pulsante mode 7 e il pulsante di conferma 13 per 5 secondi.

Servizio di assistenza clienti

Ricercate Customer Service autorizzato a voi vicino tramite i numeri verdi (800...) tramite Internet oppure nell'elenco del Customer Service in dotazione all'apparecchio. Comunicate al servizio di assistenza la sigla del prodotto (E-Nr.) e il numero di fabbricazione (FD-Nr.) dell'apparecchio.

Trovate questi dati sulla targhetta identificativa.



Segnalando la sigla del prodotto e il numero di fabbricazione contribuite ad evitare interventi a vuoto. Questo comporta un risparmio dei costi.

Ordine di riparazione e consulenza in caso di guasti

Trovate i dati di contatto di tutti i paesi nell'accluso elenco dei centri di assistenza clienti.

I	800-018346	Linea verde
CH	0848 840 040	

es Índice

Consejos y advertencias de seguridad	40
Consejos para la eliminación del embalaje y el desguace de los aparatos usados	42
Volumen de suministro (elementos incluidos en el equipo de serie)	42
Instalación del aparato	42
Cotas de instalación	44
Ángulo de apertura de las puertas	44
Nivelar el aparato	44
Montar las cubiertas de los tiradores de las puertas	45
Conectar el aparato a la red eléctrica	45
Desmontar las puertas	45
Familiarizándose con la unidad	46
Conectar el aparato	48
Ajustar la temperatura	48
Función «alarm»	48
Funciones especiales	49
Capacidad útil	50
Compartimento de congelación	50
Capacidad máxima de congelación	50
Congelar alimentos frescos	50
Supercongelación	51
Descongelar los alimentos	51
Compartimento frigorífico	51
Superfrío	52
Cajón fresco	52
Equipamiento del compartimento de congelación	53
Posibilidad de variar la posición del equipo interior del frigorífico	54
Desconexión y paro del aparato	55
Al desescarchar el aparato	55
Limpieza del aparato	55
Iluminación interior (LED)	55
Consejos prácticos para ahorrar energía eléctrica	56
Ruidos de funcionamiento del aparato	56
Pequeñas averías de fácil solución	57
Autocomprobación del aparato	58
Servicio de Asistencia Técnica	58



⚠ **Consejos y advertencias de seguridad**

Antes de emplear el aparato nuevo

¡Lea detenidamente las instrucciones de uso y de montaje de su aparato! En éstas se facilitan informaciones y consejos importantes relativos a su seguridad personal, así como a la instalación, el manejo y el cuidado correctos del mismo.

El fabricante no se responsabiliza en absoluto de eventuales daños y perjuicios que pudieran producirse en caso de incumplimiento por parte del usuario de los consejos y advertencias de seguridad que se facilitan en las presentes instrucciones. Guarde las instrucciones de uso y de montaje para ulteriores consultas o para un posible propietario posterior.

Seguridad técnica

El equipo contiene agente refrigerante R600a no contaminante, pero inflamable, en cantidades reducidas. Se debe prestar atención a que las conducciones del circuito de agente refrigerante no sufran ningún daño al realizar el transporte o el montaje. Las salpicaduras de agente refrigerante pueden causar lesiones en los ojos o inflamarse.

En caso de daños

- Mantener las fuentes de fuego o focos de ignición alejados del aparato.
- Ventilar el recinto durante varios minutos.
- Desconectar el aparato y extraer el cable de conexión de la red eléctrica.
- Avisar al Servicio de Asistencia Técnica Oficial de la marca.

Cuanto mayor cantidad de agente refrigerante contenga el aparato, mayores dimensiones tiene que tener el recinto en donde se vaya a colocar. En recintos demasiado pequeños pueden formarse mezclas inflamables de aire y gas en caso de producirse fugas en el circuito de frío del aparato.

Las dimensiones mínimas de la habitación o local en donde se encuentra instalado el aparato deberán ser 1 m³ por cada 8 gramos de agente refrigerante. La cantidad de agente refrigerante que incorpora su aparato figura en la placa de características, que se encuentra en el interior del mismo.

En caso de resultar dañado el cable de conexión del aparato y tener que sustituirlo, estos trabajos sólo podrán ser ejecutados por electricistas, técnicos del Servicio de Asistencia Técnica Oficial de la marca o personas con una cualificación profesional similar. La instalación o reparación efectuadas de modo erróneo o incorrecto pueden implicar serios peligros para el usuario.

Las reparaciones que fuera necesario efectuar sólo podrán ser ejecutadas por electricistas, técnicos del Servicio de Asistencia Técnica Oficial de la marca o personas con una cualificación profesional similar.

Sólo podrán utilizarse piezas originales del fabricante. Sólo en el caso de utilizar piezas originales del fabricante, éste garantiza que cumplan las exigencias de seguridad planteadas.

Una prolongación del cable de conexión sólo se puede adquirir a través del Servicio de Asistencia Técnica Oficial.

Al usar el aparato

- No usar aparatos eléctricos en el interior de la unidad (por ejemplo calefacciones, heladoras, etc.). ¡Peligro de explosión!
- ¡No utilizar ningún tipo de limpiadora de vapor para desescarchar o limpiar la unidad! El vapor caliente podría penetrar en el interior del aparato, accediendo a los elementos conductores de corriente y provocar cortocircuitos. Peligro de descarga eléctrica.

- ¡No rasca el hielo o la escarcha con ayuda de objetos metálicos puntiagudos o cortantes! Los conductos del agente refrigerante del compartimento de congelación podrían resultar dañados. Tenga presente que la salida a chorro del agente refrigerante puede inflamarse o provocar lesiones en los ojos.
- No guardar productos combinados con agentes o gases propelentes (por ejemplo sprays) ni materias explosivas en el aparato. ¡Peligro de explosión!
- No utilizar el zócalo, los cajones o las puertas de la unidad como reposapiés.
- Antes de limpiar el aparato extraer el enchufe de la toma de corriente o desactivar el fusible. ¡No tirar del cable de conexión del aparato, sino asirlo siempre por el cuerpo del enchufe!
- Tenga presente que las bebidas con un alto grado de alcohol necesitan envases con cierre hermético, debiéndose colocar siempre en posición vertical.
- No permitir que las grasas y aceites entren en contacto con los elementos de plástico del interior del aparato o la junta de la puerta. El plástico y la junta de goma son materiales muy susceptibles a la porosidad.
- No obstruir ni cubrir nunca las rejillas de ventilación y aireación del aparato.

■ **Prevención de situaciones de riesgos y peligros para niños y adultos:**

Los niños o las personas con facultades físicas, sensoriales o mentales mermadas o que carezcan de los conocimientos necesarios están expuestos a situaciones de riesgo o peligro.

Cerciórese de que los niños y estas personas hayan entendido perfectamente los peligros.

Los niños o las personas discapacitadas deberán estar vigilados o instruidos en el uso del aparato por una persona responsable de su seguridad.

Permitir el uso del aparato solo a los niños mayores de 8 años.

Vigilar a los niños durante los trabajos de limpieza y mantenimiento del aparato.

No dejar que los niños jueguen con el aparato.

- No guardar en el compartimento de congelación botellas ni tarros o latas que contengan líquidos, particularmente bebidas gaseosas. ¡Las botellas y latas pueden estallar!
- No introducir en la boca directamente los helados, polos o cubitos de hielo extraídos del congelador. ¡Peligro de quemaduras!
- ¡Evitar el contacto prolongado de las manos con los alimentos congelados, las capas de hielo o escarcha, o los tubos del evaporador! ¡Peligro de quemaduras!

En caso de haber niños en el hogar

- No dejar que los niños jueguen con el embalaje del aparato o partes del mismo. ¡Existe peligro de asfixia a causa de los cartones y las láminas de plástico!
- ¡No permita que los niños jueguen con la unidad ni se sienten sobre los cajones o se columpien de las puertas!
- ¡En caso de disponer la unidad de una cerradura, guardar la llave fuera del alcance de los niños!

Observaciones de carácter general

El aparato es adecuado

- para la refrigeración y congelación de alimentos,
- para la preparación de cubitos de hielo.

El presente aparato ha sido diseñado para el uso doméstico en el hogar particular o en su entorno.

El aparato está dotado de un dispositivo de desparasitaje según la directiva de la Unión Europea 2004/108/EC.

La estanqueidad del circuito de refrigeración viene verificada de fábrica.

Este producto cumple las normas específicas de seguridad para aparatos eléctricos (EN 60335-2-24).

Este aparato está previsto para ser utilizado a una altura máxima de 2.000 metros sobre el nivel del mar.

Consejos para la eliminación del embalaje y el desguace de los aparatos usados

Consejos para la eliminación del embalaje de los aparatos

El embalaje protege su aparato contra posibles daños durante el transporte. Todos los materiales de embalaje utilizados son respetuosos con el medio ambiente y pueden ser reciclados o reutilizados. Contribuya activamente a la protección del medio ambiente insistiendo en unos métodos de eliminación y recuperación de los materiales de embalaje respetuosos con el medio ambiente.

Su Distribuidor o Administración local le informará gustosamente sobre las vías y posibilidades más eficaces y actuales para la eliminación respetuosa con el medio ambiente de estos materiales.

Desguace de los aparatos usados

¡Los aparatos usados incorporan materiales valiosos que se pueden recuperar! Entregando el aparato a dicho efecto en un centro oficial de recogida o recuperación de materiales reciclables.



Este aparato está marcado con el símbolo de cumplimiento con la Directiva Europea 2012/19/UE relativa a los aparatos eléctricos y electrónicos usados (Residuos de aparatos eléctricos y electrónicos RAEE).

La directiva proporciona el marco general válido en todo el ámbito de la Unión Europea para la retirada y la reutilización de los residuos de los aparatos eléctricos y electrónicos.

Advertencia

Antes de deshacerse de su aparato usado

1. Extraer el enchufe de conexión del aparato de la toma de corriente de la red eléctrica.
2. Corte el cable de conexión del aparato y retírelo conjuntamente con el enchufe.
3. No retirar los soportes y baldas del aparato a fin de no facilitar a los niños el acceso al interior de éste.
4. No permita que los niños jueguen con los aparatos inservibles. ¡Peligro de asfixia!

Todos los aparatos frigoríficos contienen gases aislantes y refrigerantes, que exigen un tratamiento y eliminación específicos. Preste atención a que las tuberías del circuito de frío de su aparato no sufran daños ni desperfectos. Antes de haberlo entregado en el correspondiente Centro Oficial de recogida.

Volumen de suministro (elementos incluidos en el equipo de serie)

Verifique que las piezas no presentan daños ni desperfectos debidos al transporte tras desembalarlas.

En caso de constatar daños o desperfectos deberá dirigirse al distribuidor en donde adquirió su electrodoméstico o al Servicio de Asistencia Técnica Oficial de la marca.

El envío consta de los siguientes elementos:

- Aparato de libre instalación
- Bolsa con material de montaje
- Equipamiento (según modelo)
- Instrucciones de uso
- Cuaderno de mantenimiento
- Suplemento de la garantía
- Informaciones sobre el consumo de energía y los ruidos del aparato

Instalación del aparato

Transporte

El aparato es pesado. ¡Debe garantizarse la seguridad durante el transporte y el montaje!

A causa del peso y de las medidas del aparato y para minimizar el riesgo de lesiones o daños en el mismo, se necesitan al menos dos personas para instalarlo con seguridad.

Lugar de emplazamiento

El lugar más adecuado para el emplazamiento del aparato es una habitación seca, dotada de una buena ventilación. Recuerde además que el aparato no debe instalarse de forma que reciba directamente los rayos del sol, ni encontrarse tampoco próximo a focos activos de calor tales como cocinas, calefacciones, etc. No obstante, si esto último fuera inevitable, se habrá de proteger la unidad con un panel aislante adecuado, o bien observar las siguientes distancias mínimas de separación con respecto a la fuente de calor en cuestión:

- Cocinas eléctricas o de gas: 3 cm.
- Cocinas de gas-oil o de carbón, 30 cm.

En caso de instalar el aparato junto a otro aparato de refrigeración o congelación, deberá observarse una distancia mínima de separación lateral de 25 mm, a fin de evitar la formación de agua de condensación.

En caso de montar un paramento o un armario por encima del aparato, deberá tenerse en cuenta que debe existir un intersticio de 30 mm a fin de poder extraer el aparato del hueco de montaje.

El aire recalentado en la pared posterior del aparato debe poder escapar libremente del mismo.

Piso de hormigón

⚠ ¡Atención!

El aparato es muy pesado.

Modelo: 158 kg

El suelo en el lugar de emplazamiento del aparato deberá poseer una suficiente capacidad de sustentación. En caso necesario deberá reforzarse adecuadamente.

Al realizar la instalación del aparato y con objeto de poder abrir las puertas completamente hasta el tope, deberán observarse estrictamente las distancias mínimas laterales (véase el capítulo «Cotas de instalación»).

En caso de que los muebles contiguos de la cocina superen los 60 cm de profundidad, deberán dejarse unas cotas mínimas laterales, para poder aprovechar todo el ángulo de apertura de las puertas.(véase el capítulo «Ángulo de apertura de las puertas»).

Prestar atención a la temperatura del entorno y la ventilación del aparato

Temperatura de la habitación

La clase climática a la que pertenece el aparato figura en la placa de características del mismo. Indica en qué rangos de temperatura puede funcionar el aparato. La placa de características se encuentra abajo a la derecha en el interior del frigorífico.

Clase climática	Temperatura del entorno admisible
SN	+10 °C hasta 32 °C
N	+16 °C hasta 32 °C
ST	+16 °C hasta 38 °C
T	+16 °C hasta 43 °C

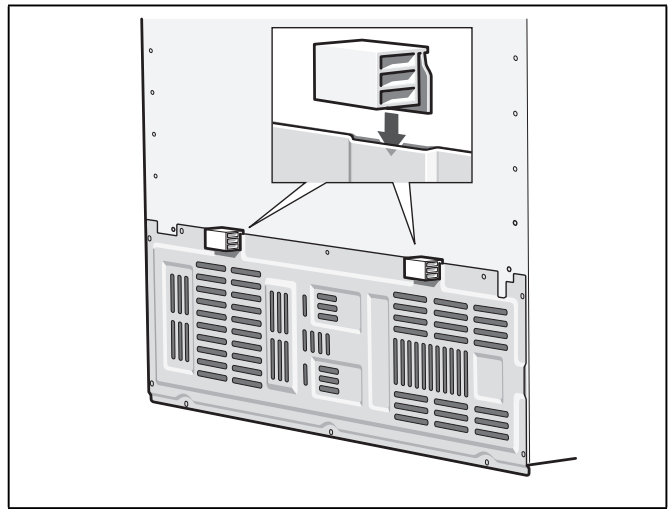
Nota

El aparato funciona perfectamente en los rangos de temperatura señalados por la clase climática. En caso funcionar un aparato de la clase climática SN a una temperatura ambiente más fría, pueden excluirse daños en el mismo hasta una temperatura de +5 °C.

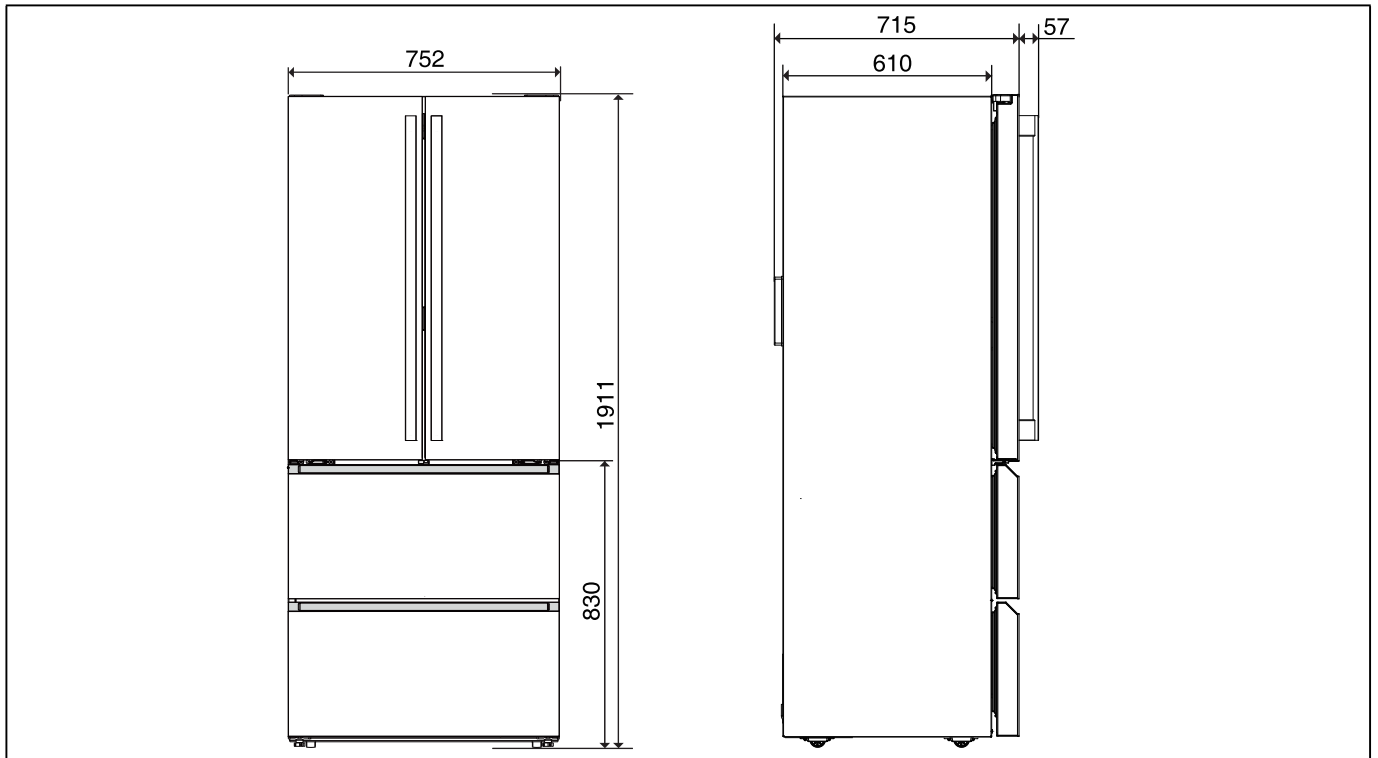
Ventilación

No cubrir ni obstruir en ningún caso las aberturas de ventilación y aireación en la parte posterior del aparato. El aire recalentado debe poder escapar libremente. De lo contrario, el aparato tendrá que aumentar su rendimiento. Provocando un consumo de energía eléctrica elevado e inútil.

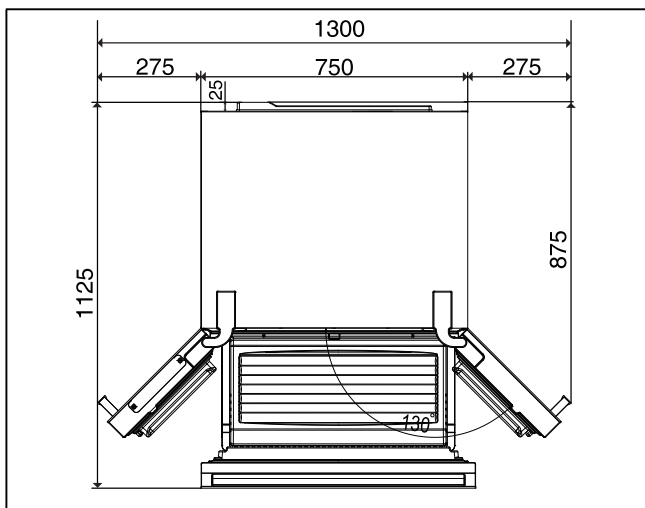
Encajar los elementos distanciadores suministrados con el aparato en el soporte previsto a tal efecto en la parte posterior del mismo. De esta manera se observa una distancia mínima respecto a la pared.



Cotas de instalación



Ángulo de apertura de las puertas

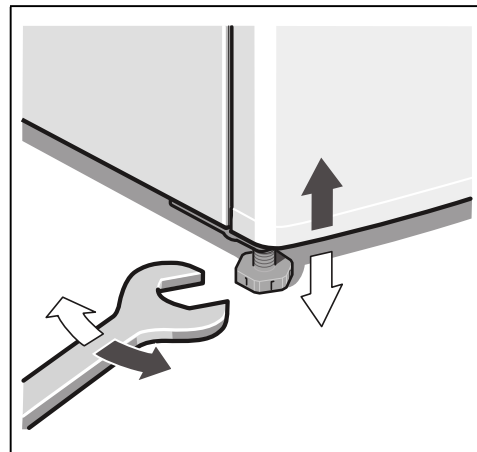


Nivelar el aparato

Colocar el aparato en su emplazamiento definitivo y nivelarlo. El aparato deberá asentarse firmemente sobre un piso o base plana y horizontal. Las posibles irregularidades del suelo se pueden compensar con ayuda de los soportes roscados del frontal del aparato. Para enroscar o desenroscar los soportes se requiere una llave inglesa.

Nota

El aparato tiene que montarse en posición vertical. Utilice un nivel de burbuja para su nivelación.



Alinear las puertas

El aparato dispone de topes ajustables en las puertas. Con ellos es posible alinear las puertas.

1. Abra las dos puertas del compartimento frigorífico y el cajón superior del compartimento de congelación.
2. Hay un tornillo debajo de cada una de las bisagras inferiores de las puertas del compartimento frigorífico.

Utilizar un destornillador de estrella para alinear las puertas ajustando los tornillos.

3. Con cada vuelta de tornillo en el sentido de las agujas del reloj la posición de la puerta correspondiente ascenderá 1,5 mm.

La altura máxima ajustable es de 3 mm.

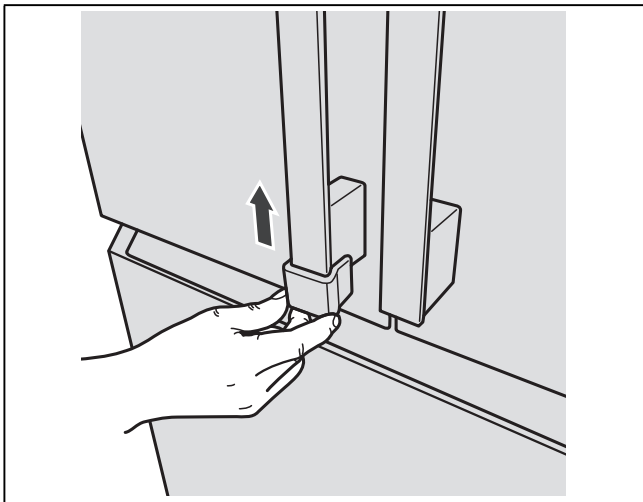
Nota

Para poder girar los tornillos fácilmente las puertas deberían estar sin carga. Además puede facilitar el ajuste de las puertas elevándolas.



Montar las cubiertas de los tiradores de las puertas

Monte las cubiertas suministradas en los bordes de los tiradores de las puertas. Con ellas se evita que los niños se puedan herir con los bordes.



Conectar el aparato a la red eléctrica

Encarga la instalación y conexión del aparato a un especialista del ramo, de conformidad a las presentes instrucciones de montaje.

Retirar los seguros de transporte de las bandejas y baldas de vidrio (tapones de plástico) sólo una vez que se ha instalado el aparato en su emplazamiento definitivo.

Aparte de las normas y disposiciones nacionales vigentes, hay que cumplir igualmente las normas de conexión de las empresas locales de abastecimiento de energía eléctrica.

Tras colocar el aparato en su emplazamiento definitivo deberá dejarse reposar éste durante aprox. una hora antes de ponerlo en funcionamiento. Durante el transporte del aparato puede ocurrir que el aceite contenido en el compresor penetre en el circuito del frío.

Limpiar el interior del aparato antes de su puesta en funcionamiento inicial (véase el capítulo «Limpieza el aparato»).

Conexión a la red eléctrica

La toma de corriente tiene que estar situada en las proximidades del aparato y ser libremente accesible tras su instalación.

El aparato corresponde al tipo de protección I. Conectar el aparato a una red de 220-240 V/50 Hz de corriente monofásica (corriente alterna) a través de una toma de corriente instalada correctamente y provista de conductor de protección. La toma de corriente debe estar protegida con un fusible de 10-16 amperios.

En los aparatos destinados a países fuera del continente europeo deberá verificarse si los valores de la tensión de conexión y el tipo de corriente que figuran en la placa de características del aparato coinciden con los de la red nacional. Estas indicaciones figuran en la placa de características del aparato (véase el capítulo «Servicio de Asistencia Técnica»).

⚠ Advertencia

El aparato no se podrá conectar en ningún caso a conectores electrónicos para ahorro energético.

Nuestros aparatos se pueden conectar a rectificadores de corriente por onda sinusoidal o conmutados por red. Los rectificadores conmutados por red se emplean en las instalaciones fotovoltaicas conectadas directamente a la red pública de abastecimiento de corriente eléctrica. Para aplicaciones aisladas, como por ejemplo en buques o albergues de montaña que no disponen de conexión a la red eléctrica, tienen que emplearse rectificadores de onda sinusoidal.

Desmontar las puertas

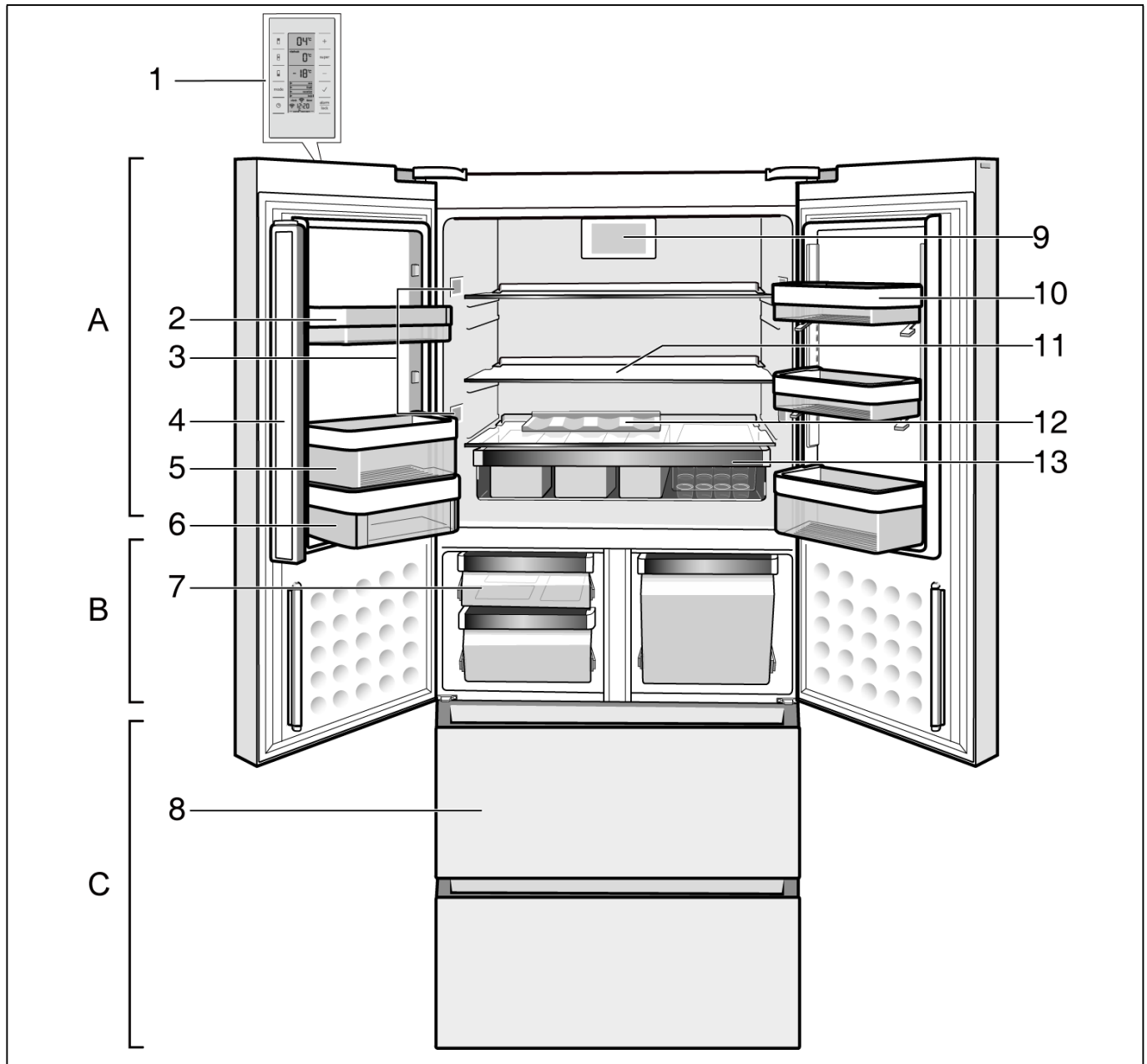
En caso de que el aparato no cupiera a través de la puerta de la vivienda se pueden desmontar las puertas del mismo.

⚠ ¡Atención!

Las puertas de los aparatos solo las podrá desmontar el Servicio de Asistencia Técnica Oficial de la marca.

Familiarizándose con la unidad

Las presentes instrucciones de uso son válidas para varios modelos de aparato. Por ello es posible que las ilustraciones muestren detalles y características de equipamiento que no concuerdan con las de su aparato concreto.



* No disponible en todos los modelos.

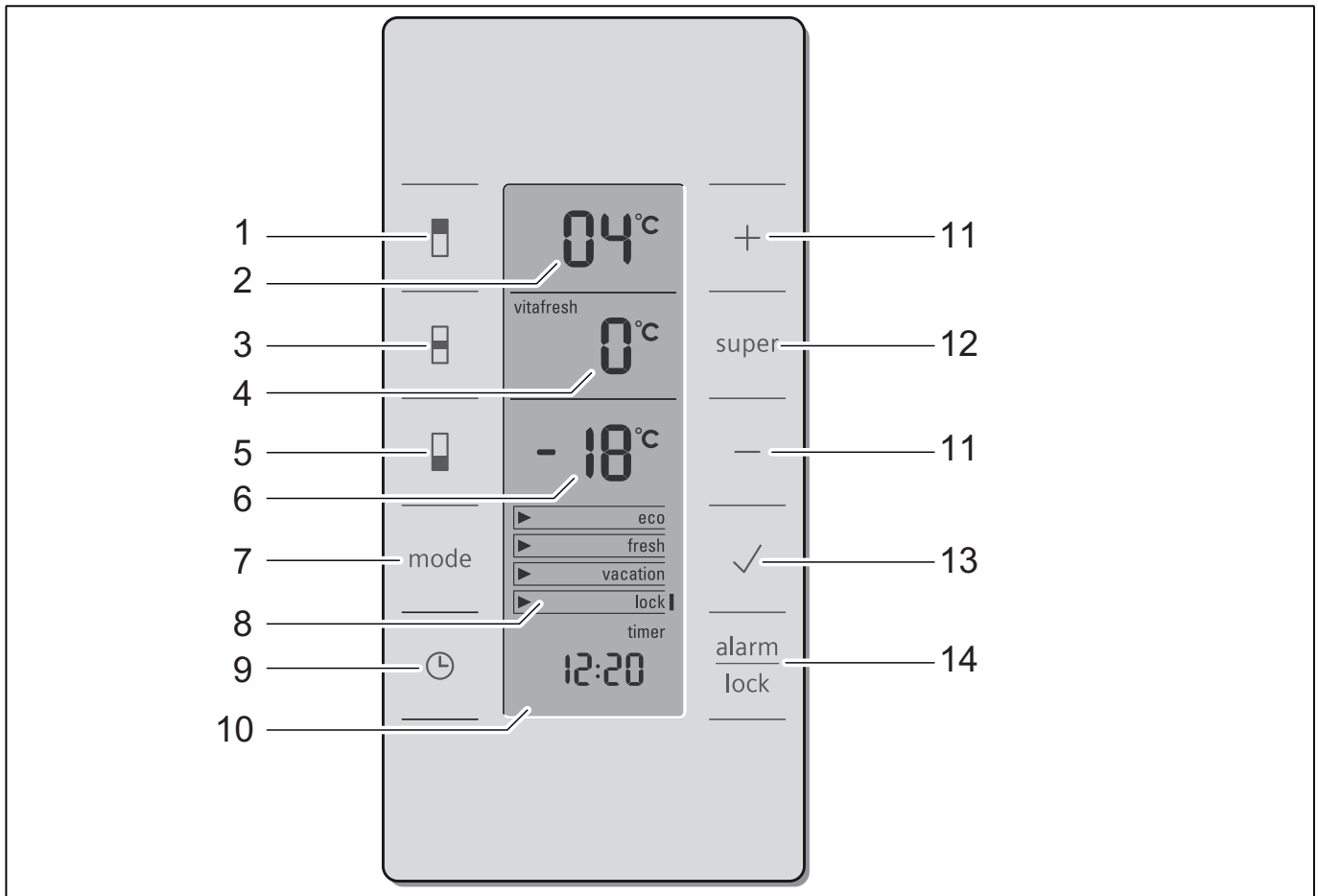
- A Compartimento frigorífico
- B Compartimento fresco
- C Compartimento de congelación
- 1 Cuadro de mandos/Pantalla de visualización
- 2 Estante para botellas pequeñas
- 3 Iluminación del compartimento frigorífico
- 4 Tapa de la junta de la puerta
- 5 Botellero para guardar botellas grandes

- 6 Compartimentos para guardar la mantequilla y el queso
- 7 Cajón fresco
- 8 Cajón de congelación
- 9 Ventilador
- 10 Estantes de posición variable (sistema EasyLift)
- 11 Balda vidrio en el compartimento frigorífico
- 12 Soporte para botellas
- 13 Cajón para aperitivos y tarros

Cuadro de mandos/Pantalla de visualización

El cuadro de mandos y la pantalla de visualización se encuentran reunidos en una sola pantalla táctil en la puerta del aparato.

Pulsando una de las teclas se desactiva la función en cuestión.



- | | |
|--|---|
| <p>1 Tecla selectora del compartimento frigorífico
Permite ajustar la temperatura del compartimento frigorífico.</p> <p>2 Pantalla de visualización del compartimento frigorífico
Muestra la temperatura actual ajustada en el compartimento frigorífico.</p> <p>3 Tecla selectora del compartimento fresco
Permite ajustar la temperatura en el compartimento fresco.</p> <p>4 Pantalla de visualización del cajón fresco
Muestra la temperatura actual ajustada en el cajón fresco.</p> <p>5 Tecla selectora del compartimento de congelación
Permite seleccionar la temperatura del compartimento de congelación.</p> <p>6 Pantalla de visualización compartimento de congelación
Muestra la temperatura actual ajustada en el compartimento de congelación.</p> <p>7 Tecla «mode»
Se seleccionan las funciones especiales. Véase el capítulo «Funciones especiales».</p> <p>8 Indicación de las funciones especiales
Véase el capítulo «Funciones especiales».</p> | <p>9 Tecla «timer»
Con esta función se puede ajustar la duración de una determinada opción seleccionada; una señal acústica de aviso recuerda su activación. Véase el capítulo «Funciones especiales».</p> <p>10 Display del reloj temporizador
Muestra el tiempo transcurrido cuando está activada la función especial de reloj temporizador.</p> <p>11 Teclas de ajuste +/-
Las teclas sirven para</p> <ul style="list-style-type: none"> ■ ajustar la temperatura de las diferentes zonas de frío, ■ modificar el ajuste temporal de la función especial de reloj temporizador. <p>12 Tecla Super
Conecta las funciones Superfrío (compartimento frigorífico) y Supercongelación (compartimento de congelación) (véanse los capítulos «Superfrío» y «Supercongelación»)</p> <p>13 Tecla de confirmación
Esta tecla sirve para confirmar las funciones especiales seleccionadas.</p> |
|--|---|

14 Tecla «alarm/lock»

La tecla sirve para

- desactivar la alarma acústica (véase el capítulo «Función alarma»),
- desactivar el bloqueo de las teclas (véase el capítulo «Funciones especiales»).

Conectar el aparato

El aparato se conecta al introducir el enchufe en la toma de corriente.

Se produce una señal acústica de aviso. La indicación de temperatura 6 y la indicación de alarma se encienden.

Pulsar la tecla «alarm» 14. La señal acústica de alarma se apaga y la indicación de alarma deja de parpadear.

La indicación de temperatura del compartimento de congelación 6 muestra la temperatura programada.

La indicación «alarm» se apaga tan pronto como el aparato ha alcanzado la temperatura ajustada.

Las temperaturas preajustadas se alcanzan al cabo de varias horas de funcionamiento. No introducir alimentos en el aparato antes de que haya transcurrido este período de tiempo.

Ajustar la temperatura

Para poder realizar ajustes en el aparato:

1. Seleccionar la zona deseada con las teclas selectoras «Compartimento frigorífico» 1, «Compartimento fresco» 3 o «Compartimento de congelación» 5.
2. Ajustar la temperatura deseada con ayuda de las teclas de ajuste +/- 11.

Compartimento frigorífico

(ajustable de +2 °C a +10 °C)

Se aconseja ajustar una temperatura de +4 °C.

Los alimentos delicados no deberán guardarse a una temperatura superior (más calor) a +4 °C.

Compartimento fresco

(ajustable de 0 °C a +8 °C)

Se aconseja ajustar una temperatura de 0 °C.

Nota

En caso de acumularse escarcha sobre los alimentos en el compartimento fresco, ajustar una temperatura más elevada.

Compartimento de congelación

(ajustable de -16 °C a -26 °C)

Se aconseja ajustar una temperatura de -18 °C.

Función «alarm»

Pulsando la tecla «alarm» se desactiva la alarma acústica.

La alarma se puede producir en los siguientes casos:

Alarma de la puerta

Si la puerta del aparato permanece abierta durante un tiempo prolongado, se activa la alarma de la puerta (sonido constante). La alarma se desactiva cerrando la puerta del aparato o pulsando la tecla «alarm» 14.

Alarma de temperatura

La alarma de temperatura se activa cuando la temperatura es demasiado elevada en el interior del aparato y los alimentos corren peligro de deteriorarse.

Las señales de aviso acústica y óptica pueden activarse sin peligro de deterioro de los alimentos en los casos siguientes:

- Al poner en marcha el aparato.
- Al introducir grandes cantidades de alimentos frescos en el compartimento de congelación.

En el campo de indicación correspondiente se visualiza «alarm» y suena una señal acústica de aviso.

Después de pulsar la tecla de alarma, la indicación de temperatura muestra durante varios segundos la temperatura más alta alcanzada en el congelador. A continuación se muestra de nuevo la temperatura ajustada.

La indicación «alarm» se apaga tan pronto como el aparato ha alcanzado la temperatura ajustada.

Notas

- No volver a congelar los alimentos que se hayan descongelado o empezado a descongelarse. Sólo se podrán volver a congelar tras asarlos, freírlos, hervirlos o preparar con ellos platos cocinados. En este caso no se deberá agotar al máximo el tiempo de caducidad de los productos.
- En caso de haberse registrado una temperatura demasiado elevada en el interior del compartimento frigorífico, se aconseja cocinar los productos refrigerados antes de su consumo. En caso de duda no deberán consumirse los alimentos crudos.

Funciones especiales

[eco]

Esta función permite cambiar el funcionamiento del aparato al modo de escaso consumo energético.

El aparato ajusta automáticamente las siguientes temperaturas:

- Compartimento frigorífico: + 6 °C
- Compartimento fresco: 0 °C
- Compartimento de congelación: - 16 °C

Activar/desactivar la función [eco]

1. Pulsar la tecla «mode» 7.
2. Pulsar la tecla «mode» 7 repetidamente hasta que la palabra «eco» esté marcada con una flecha en el campo de visualización.
3. Confirmar la selección con la tecla 13.
Si aparece una barra junto a la opción seleccionada, significa que la función está activada.

[fresh]

Con el modo Fresco [fresh] activado, los alimentos conservan frescos durante más tiempo.

El aparato ajusta automáticamente las siguientes temperaturas:

- Compartimento frigorífico: + 4 °C
- Compartimento fresco: 0 °C
- Compartimento de congelación: - 18 °C

Activar/desactivar la función [fresh]

1. Pulsar la tecla «mode» 7.
2. Pulsar la tecla «mode» 7 repetidamente hasta que la palabra «fresh» esté marcada con una flecha en el campo de visualización.
3. Confirmar la selección con la tecla 13.
Si aparece una barra junto a la opción seleccionada, significa que la función está activada.

[vacation]

Para los largos períodos de ausencia se puede conmutar el aparato al modo de ahorro energético «Vacaciones».

¡Atención!

¡Durante este período no deberán guardarse alimentos en el compartimento frigorífico!

El aparato ajusta automáticamente las siguientes temperaturas:

- Compartimento frigorífico: + 14 °C
- Compartimento fresco: + 14 °C

El compartimento de congelación conserva las temperaturas ajustadas.

Activar/desactivar la función [vacation]

1. Pulsar la tecla «mode» 7.
2. Pulsar la tecla «mode» 7 repetidamente hasta que la palabra «vacation» esté marcada con una flecha en el campo de visualización.
3. Confirmar la selección con la tecla 13.
Si aparece una barra junto a la opción seleccionada, significa que la función está activada.

[lock]

Mediante la función «lock» (bloqueo) se preserva el aparato contra cualquier manejo indeseado.

Activar/desactivar la función [lock]

1. Pulsar la tecla «mode» 7.
2. Pulsar la tecla «mode» 7 repetidamente hasta que la palabra «lock» esté marcada con una flecha en el campo de visualización.
3. Confirmar la selección con la tecla 13.
Si aparece una barra junto a la opción seleccionada, significa que la función está activada. Ahora ya no es posible realizar ajustes con las teclas.
Pulse durante 3 segundos la tecla «alarm/lock» 14 para volver a desactivar la función.

«timer»

Con esta función se puede programar una duración de la función seleccionada de 1–99 minutos. Una señal acústica le recuerda al cabo de un cierto tiempo, por ejemplo, que deberá retirar los alimentos del compartimiento.

El aparato se suministra de fábrica con el temporizador ajustado a 20 minutos.

¡Atención!

No guardar en el congelador botellas ni tarros o latas que contengan líquidos durante un período superior a los 20 minutos. ¡Las botellas y latas pueden estallar!

Ajustar e iniciar el reloj temporizador

1. Pulsar la tecla selectora del reloj temporizador 9.
2. Ajustar la cantidad de minutos deseada mediante las teclas de ajuste +/- 11.
3. Confirmar el ajuste e iniciar el reloj temporizador con la tecla de confirmación 13.
El campo de visualización del reloj temporizador 10 muestra los minutos restantes.
Una vez transcurridos los minutos ajustados suena una señal de alarma.
4. Desactivar la señal de alarma con la tecla «alarm/lock» 14.
La función del reloj temporizador ha finalizado.

Capacidad útil

Las indicaciones sobre la capacidad útil del aparato figuran en la placa de características del mismo (véase la ilustración en el capítulo «Servicio de Asistencia Técnica»).

Compartimento de congelación

El compartimento de congelación es adecuado

- para guardar productos ultracongelados,
- para preparar cubitos de hielo,
- para congelar alimentos frescos.

Nota

¡Cerciorarse siempre de que la puerta del compartimento de congelación está cerrada correctamente! Si la puerta está abierta, los productos congelados se descongelan y en el compartimento de congelación se produce una fuerte acumulación de escarcha. Además se produce un elevado consumo de energía eléctrica.

Tras cerrar la puerta del compartimento de congelación se produce una depresión que genera un ruido de succión. Aguardar dos o tres minutos hasta que la depresión se haya compensado.

Aconsejamos dejar el depósito para los cubitos de hielo en el aparato. De este modo se asegura la distribución óptima del frío por el compartimento de congelación.

Puntos a tener en cuenta al comprar alimentos ultracongelados

- Prestar atención a que la envoltura del alimento o producto congelado no presente ningún tipo de daño.
- Verifique la fecha de caducidad de los alimentos. Cerciórese de que ésta no ha vencido.
- La indicación de la temperatura del congelador del establecimiento en donde adquiera los alimentos deberá señalar un valor mínimo de $-18\text{ }^{\circ}\text{C}$.
- Al hacer la compra, recuerde que conviene adquirir los alimentos congelados en el último momento. Procure transportarlos directamente a casa envueltos en una bolsa isotérmica. Una vez en el hogar, deberá colocarlos inmediatamente en el compartimento de congelación.

Capacidad máxima de congelación

Las indicaciones relativas a la máxima capacidad de congelación en 24 horas figuran en la placa de características del mismo (véase la ilustración en el capítulo «Servicio de Asistencia Técnica»).

Congelar alimentos frescos

Si decide congelar usted mismo los alimentos, utilice únicamente alimentos frescos y en perfectas condiciones.

Blanquear (escaldar) las verduras antes de su congelación a fin de que su sabor, aroma o color no se deteriore, ni pierdan tampoco su valor nutritivo. Las berenjenas, los calabacines y espárragos no hay que escaldarlos.

Más detalles sobre este método podrán hallarse en cualquier libro o manual de cocina que trate los aspectos de la congelación de alimentos y en donde se describa el método del blanqueado.

Nota

Procurar que los alimentos congelados que ya hubiera en el congelador no entren en contacto con los alimentos frescos que se desean congelar.

- Alimentos adecuados para la congelación: Pan y bollería, pescado y marisco, carne, caza, aves, verduras y hortalizas, frutas, hierbas aromáticas, huevos sin cáscara, productos lácteos tales como queso, mantequilla y requesón, platos cocinados y restos de comidas como por ejemplo sopas, potajes, carnes o pescados cocinados, platos de patatas, gratinados y platos dulces.
- Alimentos que no deben congelarse: Verduras que se consumen normalmente crudas, como por ejemplo lechugas o rabanitos, huevos en su cáscara, uvas, manzanas enteras, peras y melocotones, huevos duros, yogur, leche agria, nata fresca acidulada, crema fresca y mayonesa.

Envasado de los alimentos

Envasar los alimentos herméticamente para que no se deshidraten o pierdan su sabor.

1. Introducir los alimentos en la envoltura prevista a dicho efecto.
2. Eliminar todo el aire que pudiera haber en el envase.
3. Cerrarlo herméticamente.
4. Marcar los envases, indicando su contenido y la fecha de congelación.

Materiales indicados para el envasado de los alimentos:

Láminas de plástico, bolsitas y láminas de polietileno, papel de aluminio, cajitas y envases específicos para la congelación de alimentos.

Todos estos productos y materiales se pueden adquirir en la mayoría de los supermercados, grandes almacenes o en el comercio especializado.

Materiales no apropiados para el envasado de alimentos:

Papel de empaquetar, papel apergaminado, celofán, bolsas de la basura y bolsitas de plástico de la compra ya usadas.

Materiales apropiados para el cierre de los envases:

Gomitas, clips de plástico, bramante, cinta adhesiva incongelable, etc.

Las bolsitas o láminas de plástico de polietileno se pueden termosellar con una soldadora de plásticos.

Calendario de congelación

El plazo de conservación varía en función del tipo del alimento congelado.

A una temperatura de -18 °C:

- El pescado, el embutido y los platos cocinados, así como el pan y la bollería:
hasta 6 meses
- El queso, las aves y la carne:
hasta 8 meses
- La fruta y verdura:
hasta 12 meses

Supercongelación

Para que los alimentos conserven su valor nutritivo, vitaminas y buen aspecto hay que congelar el centro lo más rápidamente posible.

Con objeto de evitar que se produzca un aumento indeseado de la temperatura interior del aparato al colocar alimentos frescos en el compartimento de congelación, deberá activarse la función de supercongelación varias horas antes de introducir los alimentos en el aparato.

Normalmente basta con 4–6 horas.

Al estar activada esta función, el compresor funciona continuamente, alcanzándose en el interior del compartimento de congelación unas temperaturas muy bajas (gran frío).

En caso de desear aprovechar la máxima capacidad de congelación del aparato deberá conectarse la función «Supercongelación» 24 horas antes de introducir los alimentos frescos en el aparato.

Pequeñas cantidades de alimentos (hasta 2 kg) se pueden congelar sin necesidad de activar la supercongelación.

Nota

Estando activada la función de supercongelación, el nivel sonoro del aparato puede aumentar.

Activar y desactivar

1. Pulsar la tecla selectora del compartimento de congelación 5.

Se activa el display del compartimento de congelación 6.

2. Pulsar la tecla «super» 12.

Si en el display del compartimento de congelación 6 se visualiza «super» y un ajuste de temperatura de -30 °C, significa que la supercongelación está activada.

La función de supercongelación se desactiva automáticamente pasados aprox. 2½ días.

Descongelar los alimentos

Según el tipo y la naturaleza de su uso, se puede elegir entre los siguientes procedimientos:

- Temperatura ambiente
- En el frigorífico
- En un horno eléctrico, con/sin calentador de aire
- Con horno microondas

¡Atención!

No volver a congelar los alimentos que se hayan descongelado o empezado a descongelarse. Sólo se podrán volver a congelar tras asarlos, freírlos, hervirlos o preparar con ellos platos cocinados.

En este caso no se deberá agotar al máximo el tiempo de caducidad de los productos.

Compartimento frigorífico

El compartimento frigorífico es el lugar ideal para guardar platos cocinados, pan y bollería, latas de conserva, leche condensada y queso curado.

Puntos a observar al guardar los alimentos

- Guarde preferentemente alimentos en estado fresco y en perfectas condiciones. De este modo conservarán su calidad y frescura durante más tiempo.
- En el caso de productos precocinados o alimentos envasados deberán observarse las fechas de caducidad o de consumo señaladas por el fabricante .
- Asimismo se aconseja envolver los alimentos bien o cubrirlos antes de introducirlos en el frigorífico a fin de que conserven su aroma, color y sabor. De este modo se evita, además, que puedan producirse transferencias de sabor de un alimento a otro o decoloraciones de las piezas de plástico en el compartimento frigorífico.
- Dejar enfriar los alimentos o bebidas calientes hasta una temperatura ambiente antes de introducirlos en el aparato.

Prestar atención a las diferentes zonas de frío del compartimento frigorífico

En función de la circulación del aire en el interior del frigorífico, se crean en éste diferentes zonas de frío.

La zona más fría se encuentra en la parte más baja del compartimento frigorífico y en el estante para botellas grandes.

La zona menos fría se encuentra en la parte superior de la puerta.

Notas

- Guardar en la zona menos fría, por ejemplo, el queso curado y la mantequilla. De esta manera el queso conservará su aroma y la mantequilla se podrá untar en el pan fácilmente.
- Guardar los alimentos delicados, como por ejemplo pescado, embutido o carne en el compartimento fresco (véase el capítulo «Compartimento fresco»).

Abrir y cerrar las puertas del compartimento frigorífico

En la puerta izquierda del compartimento frigorífico se encuentra una tapa de junta. Esta tapa de junta hermetiza la separación entre las puertas del compartimento frigorífico.

⚠ ¡Atención!

La tapa de junta se daña si se intenta cerrar la puerta izquierda del compartimento frigorífico cuando la puerta derecha del compartimento frigorífico ya está cerrada.

Por ello siempre se debe cerrar primero la puerta izquierda del compartimento frigorífico.

Superfrío

Mediante esta función se enfría el compartimento frigorífico durante aprox. 6 horas hasta alcanzar la temperatura más baja posible, conmutando a continuación a la temperatura ajustada con anterioridad a la activación de la opción.

La función de superfrío se selecciona en caso de

- antes de introducir grandes cantidades de alimentos.
- desear enfriar rápidamente bebidas.

Nota

Estando activada la función de superfrío, el nivel sonoro del aparato puede aumentar.

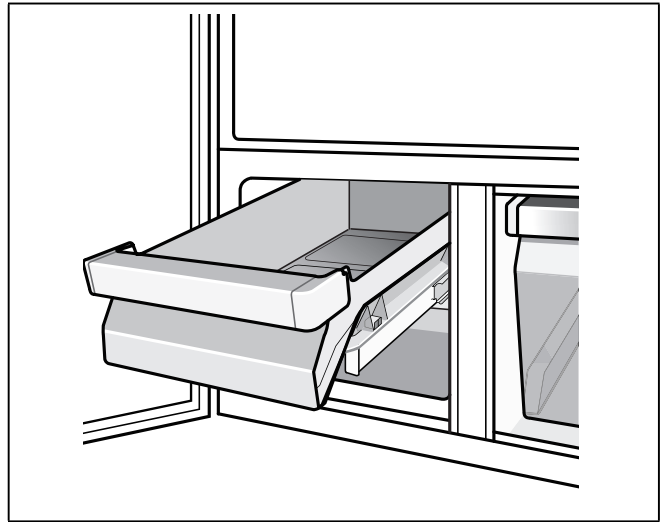
Activar y desactivar

1. Pulsar la tecla selectora del compartimento frigorífico 1.
Se activa el display del compartimento frigorífico 2.
2. Pulsar la tecla «super» 12.
Si en el display del compartimento frigorífico 2 se visualizan «super» y un ajuste de temperatura de +2 °C, significa que el superfrío está activado.

Cajón fresco

La temperatura del cajón fresco se mantiene siempre en torno a los 0 °C. La baja temperatura, que se puede adaptar específicamente al tipo de alimento guardado, asegura unas óptimas condiciones de almacenamiento de los alimentos frescos.

Los alimentos se pueden guardar hasta tres veces más tiempo que en la zona de frío normal sin que pierdan su frescura, además de conservar sus nutrientes y su sabor.



En el cajón fresco reinan temperaturas más bajas (más frío) que en el compartimento frigorífico. Estando ajustada una temperatura de 0 °C también pueden registrarse temperaturas inferiores a los 0 °C.

La temperatura deberá ajustarse en función de los alimentos almacenados:

- Carne y pescado, 0 °C
- Leche y yogur, +2 °C
- Fruta y verdura, +4 °C

Cajón de alta humedad

El cajón de alta humedad, situado en el lado derecho del compartimento fresco, está cubierto por un filtro especial que permite el paso del aire y retiene la humedad del mismo. Esto permite que, dependiendo de la carga, la humedad del aire en el cajón de alta humedad sea de hasta el 95%. Las condiciones de almacenamiento ideales para guardar fruta fresca, lechugas, verduras y setas, así como hierbas aromáticas.

Nota

En función de la cantidad y el tipo de alimento guardado en el cajón de alta humedad, puede formarse agua de condensación en el mismo. Eliminar el agua de condensación con un paño seco.

Alimentos adecuados para guardar en el cajón para conservación fresca:

Todos los alimentos frescos y que deben conservar su frescura durante un tiempo prolongado, por ejemplo: pescado fresco, marisco, embutido, productos lácteos, platos preparados.

Alimentos no adecuados para guardar en el compartimento fresco:

La fruta y verdura sensible al frío (por ejemplo cítricos y frutas tropicales como piñas, plátanos, papayas, naranjas, limones, melones y sandías, así como tomates, berenjenas, calabacines, pimientos, pepinos, patatas).

El lugar adecuado para guardar estos alimentos es el compartimento frigorífico.

Puntos a tener en cuenta al comprar alimentos frescos:

Que un alimento esté más o menos fresco en el momento de comprarlo es fundamental para su conservación.

Téngase presente: Cuanto más frescos sean los alimentos al introducirlos en el frigorífico, más tiempo se pueden guardar y conservar en el mismo.

Por lo tanto le aconsejamos preste suma atención a comprar siempre alimentos lo más frescos posible.

En el caso de productos precocinados o alimentos envasados por el fabricante deberán observarse las fechas de caducidad o de consumo señaladas.

Calendario de conservación (a 0 °C)

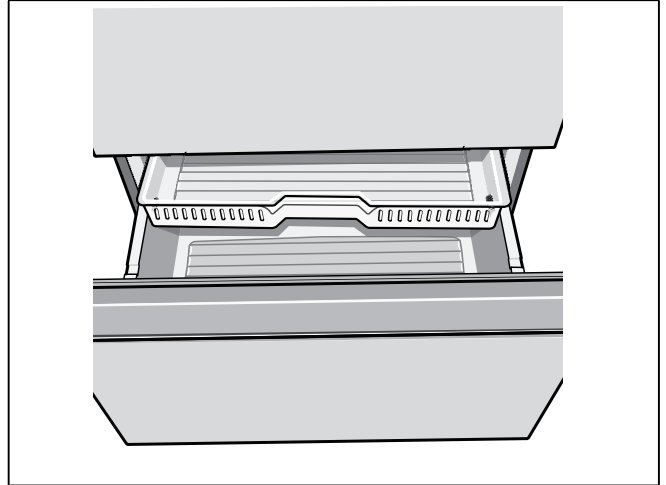
según la calidad de partida del producto	
Pescado fresco, marisco	hasta 3 días
Aves, carne (cocida/asada)	hasta 5 días
Carne de vaca (buey), cerdo, cordero, embutido cortado	hasta 7 días
Pescado ahumado, brécoles	hasta 14 días
Lechugas, hinojo, albaricoques, ciruelas	hasta 21 días
Queso blando, yogur, requesón, mazada (suero de mantequilla), coliflor	hasta 30 días

Equipamiento del compartimento de congelación

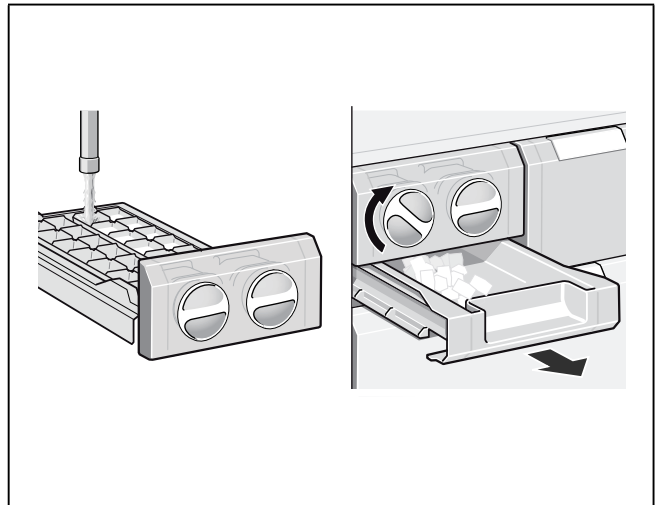
(no disponible en todos los modelos)

Cajón amovible

El cajón se puede retirar de su emplazamiento.



Fabricador de hielo



1. Retirar la cubitera de hielo. Llenar ¾ partes de la misma con agua potable y colocarla en su sitio.
2. Una vez que los cubitos de hielo estén congelados, girar los mandos varias veces a la derecha y soltarlo. Los cubitos caerán en el depósito para guardar los cubitos de hielo.
3. Los cubitos de hielo se pueden guardar en el depósito.

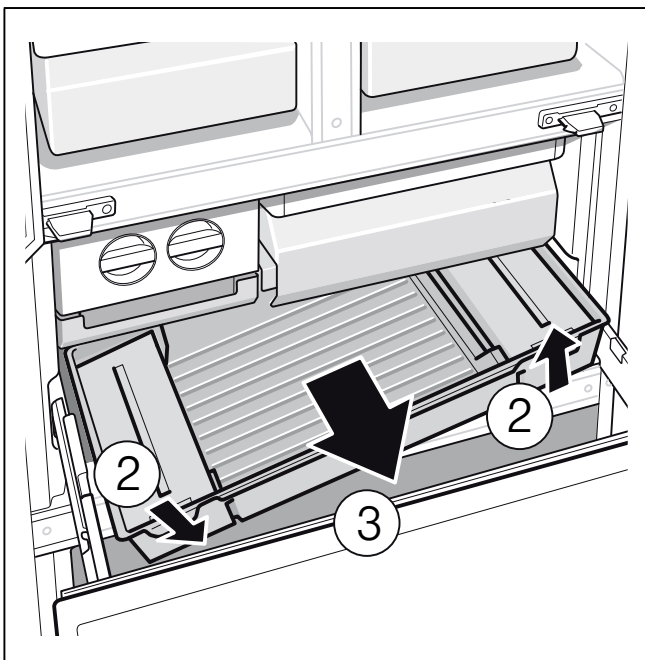
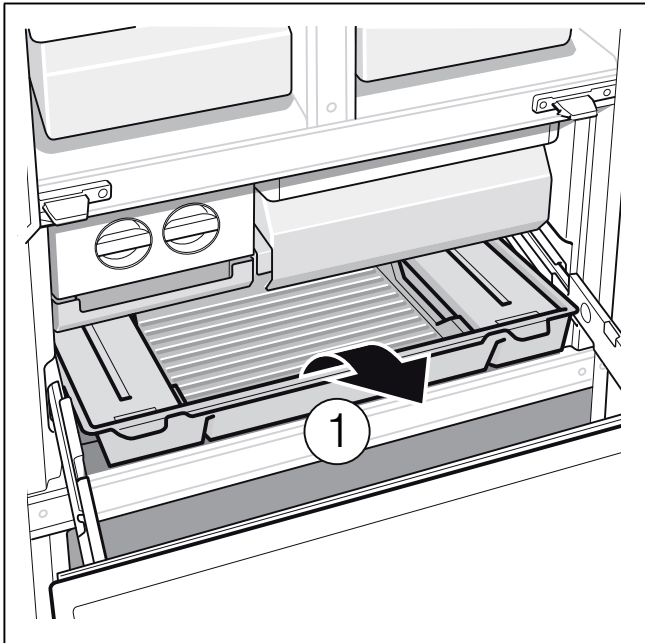
Panel intermedio con acumuladores de frío

En el panel intermedio situado entre los recipientes de productos congelados pueden colocarse ordenadamente acumuladores de frío y productos congelados pequeños.

Los acumuladores de frío retardan la descongelación de los productos congelados en caso de corte o avería del suministro de corriente. El retardo más efectivo se logra colocando los acumuladores de frío en el compartimento superior, directamente sobre los alimentos.

Los acumuladores de frío se pueden extraer de su emplazamiento y usarlos para mantener alimentos frescos por breve tiempo, por ejemplo en una bolsa isotérmica.

Después de extraer el recipiente superior para productos congelados, también puede extraerse el panel intermedio.



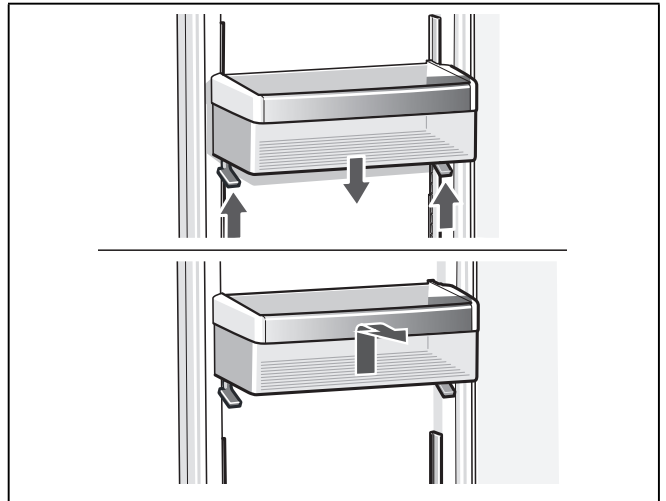
Posibilidad de variar la posición del equipo interior del frigorífico

(no disponible en todos los modelos)

Las bandejas, así como los estantes y compartimentos de las puertas, se pueden cambiar de posición y altura en función de las necesidades concretas de cada usuario.

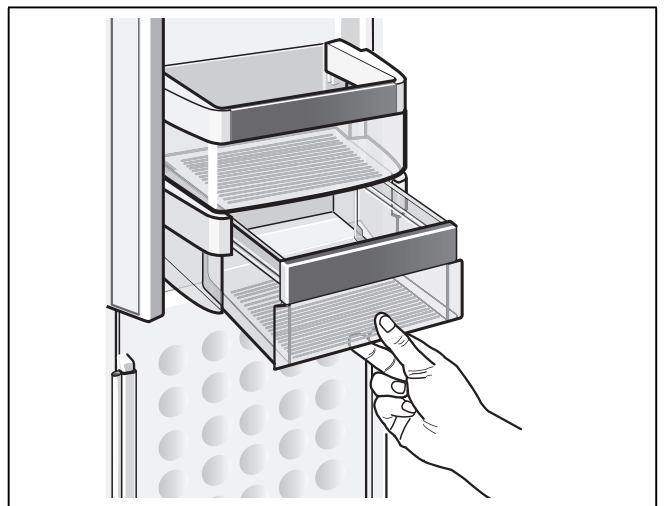
- Desplazar la bandeja hacia adelante, abatirla hacia abajo y extraerla inclinándola por uno de sus laterales.
- La posición de los estantes de la puerta se puede variar sin necesidad de extraerlos de su alojamiento. Accionar simultáneamente los botones situados en la cara inferior de los estantes hacia arriba a fin de desplazarlos hacia abajo. Los estantes se pueden desplazar hacia arriba sin necesidad de accionar los botones.

Para retirarlos: levantar los estantes y extraerlos.



Compartimento para guardar la mantequilla y el queso

Para limpiar el compartimento, alzarlo por abajo y extraerlo de su alojamiento.



Desconexión y paro del aparato

Desconectar el aparato

Extraer el enchufe del aparato de la toma de corriente o desactivar el fusible.

El grupo frigorífico se desconecta.

Paro del aparato

En caso de largos períodos de inactividad de la unidad:

1. Desconectar el aparato
2. Extraer el enchufe del aparato de la toma de corriente o desactivar el fusible.
3. Limpiar el aparato.
4. Dejar la puerta abierta.

Al desescarchar el aparato

Compartimento de congelación

Gracias al sistema automático NoFrost, el compartimento de congelación permanece libre de escarcha, no siendo necesario efectuar su desescarchado. Por ello no hay que realizar el desescarchado del mismo.

Compartimento frigorífico

El desescarchado del aparato se efectúa automáticamente.

El agua de descongelación es transportada, a través del orificio de drenaje, hasta la bandeja de evaporación en la parte posterior del aparato.

Limpieza del aparato

⚠ Advertencia

¡No utilizar ningún tipo de limpiadora de vapor!

⚠ ¡Atención!

No utilizar detergentes que contengan arena, cloro o ácidos. ¡No emplear tampoco disolventes!

⚠ ¡Atención!

No emplear esponjas abrasivas. En las superficies metálicas podría producirse corrosión.

⚠ ¡Atención!

No lavar nunca las bandejas, compartimentos o estantes del aparato en el lavavajillas. ¡Las piezas pueden deformarse!

Modo de proceder:

1. Extraer el enchufe de conexión del aparato de la toma de corriente o desconectar el fusible de la instalación doméstica.

2. Retirar los alimentos del aparato y guardarlos en el lugar más frío posible. Colocar sobre los alimentos los acumuladores de frío (caso de disponer de ellos).
3. Aguardar a que se haya descongelado la capa de escarcha.
4. Limpiar el aparato con un paño suave, agua templada y un poco de lavavajillas manual con pH neutro. Téngase presente que el agua empleada en la limpieza del aparato no debe penetrar en los elementos de mando ni entrar en contacto con la iluminación.
5. Limpiar la junta de la puerta solo con agua clara, secándola bien a continuación.
6. Tras concluir la limpieza, conectar el aparato a la red eléctrica.
7. Colocar los alimentos congelados en el compartimento de congelación.

Equipamiento

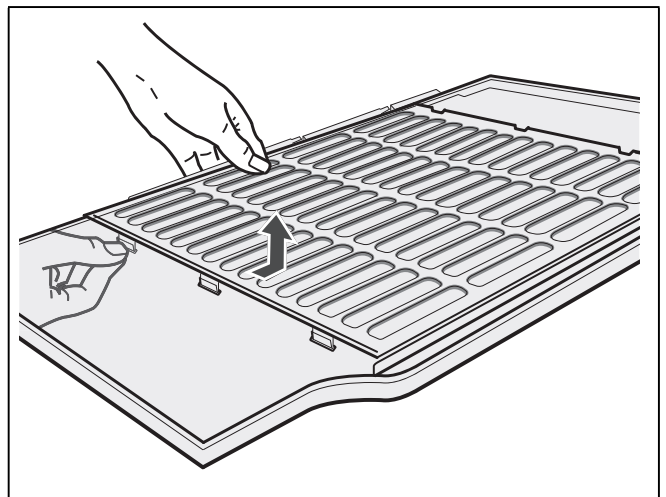
Los accesorios y elementos variables del aparato se pueden retirar del mismo para su limpieza (véase el capítulo «Posibilidad de modificar la posición de los accesorios del apartado»).

Nota

Para retirar y limpiar los cajones, abrir las puerta completamente, más allá de un ángulo de 90°.

Retirar el filtro de humedad

1. Retirar primero el cajón fresco derecho. Extraer a continuación el filtro de humedad de su emplazamiento.
2. Alzar la tapa del filtro y extraer el filtro de su emplazamiento. Limpiarlo con agua templada, dejarlo secar y volverlo a armar.



Iluminación interior (LED)

Su aparato está equipado con una iluminación por diodos luminosos exenta de mantenimiento.

Las reparaciones de este tipo de iluminación sólo podrán ser realizadas por personal técnico del Servicio de Asistencia Técnica Oficial de la marca o autorizado oficialmente por el fabricante.

Consejos prácticos para ahorrar energía eléctrica

- ¡Emplazar el aparato en una habitación seca y fresca, dotada de una buena ventilación! Recuerde además que el aparato no debe instalarse de forma que reciba directamente los rayos del sol, ni encontrarse tampoco próximo a focos activos de calor tales como cocinas, calefacciones, etc. No obstante, si esto último fuera inevitable, se habrá de proteger la unidad con un panel aislante adecuado.
- Prestar atención a que las aberturas de ventilación y aireación no estén nunca obstruidas.
- Dejar enfriar los alimentos o bebidas calientes hasta temperaturas ambientes antes de introducirlos en el aparato.
- Descongelar los productos congelados en el interior del compartimento frigorífico. De esta manera se puede aprovechar el frío desprendido por los mismos para la refrigeración de los restantes alimentos guardados.
- Mantener abierta la puerta del aparato el menos tiempo posible.
- ¡Cerciorarse siempre de que la puerta del compartimento de congelación está cerrada correctamente.
- En caso necesario:
Montar los elementos distanciadores respecto a la pared para alcanzar la absorción de energía indicada (véase «Ventilación» en el capítulo «Instalación del aparato»). Una distancia reducida respecto a la pared no influye negativamente en el funcionamiento del aparato. Aunque puede ocurrir que la absorción de energía aumente ligeramente.
- La disposición de los elementos y accesorios del aparato no influye en la absorción de energía.

Ruidos de funcionamiento del aparato

Ruidos de funcionamiento normales del aparato

Ruidos en forma de murmullos sordos

Los motores están trabajando (compresores, ventilador).

Ruidos en forma de gorgoteo

Se producen al penetrar el líquido refrigerante en los tubos delgados una vez que ha entrado en funcionamiento el compresor.

Ruidos en forma de clic

El motor, los interruptores o las electroválvulas se conectan/desconectan.

Ruidos que se pueden evitar fácilmente

El aparato está colocado en posición desnivelada

Nivelar el aparato con ayuda de un nivel de burbuja. Calzarlo en caso necesario.

El aparato entra en contacto con muebles u otros objetos

Retirar el aparato de los muebles u otros aparatos con los que esté en contacto.

Los cajones o baldas oscilan o están agarrotados

Verificar los elementos desmontables y, en caso necesario, colocarlos en un nuevo emplazamiento.

Las botellas o recipientes entran en contacto mutuo

Separar algo las botellas y los recipientes.

Pequeñas averías de fácil solución

Antes de avisar al Servicio de Asistencia Técnica:

Compruebe si la avería o fallo que usted ha constatado se encuentra recogida en los siguientes consejos y advertencias.

Limpie las canaletas y el tubo de desagüe (véase a respecto el capítulo «Limpieza del aparato»).

Tenga presente que los gastos del técnico no quedan cubiertos por las prestaciones del servicio de garantía.

Avería	Posible causa	Forma de subsanarla
La temperatura difiere fuertemente del valor ajustado.		En algunos casos es posible que sea suficiente desconectar el aparato durante 5 minutos. Si la temperatura es demasiado elevada (calor), verifique al cabo de unas pocas horas si se ha producido una aproximación a la temperatura ajustada. Si la temperatura es demasiado baja (frío), verifique la temperatura nuevamente al día siguiente.
No se ilumina ninguna pantalla ni ninguno de los pilotos de aviso.	Se ha producido un corte del suministro de corriente eléctrica; el fusible se ha fundido; el enchufe del aparato no está asentado correctamente en la toma de corriente.	Introducir el enchufe del aparato en la toma de corriente. Verificar si hay que corriente; verificar los fusibles.
Suenan una señal acústica de aviso. La tecla «alarm» 14 se enciende.	Avería - la temperatura del compartimento de congelación es demasiado elevada.	Para desactivar la alarma acústica, pulsar la tecla «alarm» 14.
	La puerta del aparato está abierta.	Cerrar la puerta del aparato.
	Las aberturas de ventilación y aireación están obstruidas.	Cerciorarse de que las aberturas de ventilación y aireación no están obstruidas.
	Se ha introducido una cantidad excesiva de alimentos frescos en el compartimento de congelación.	No superar la capacidad máxima de congelación de alimentos frescos del aparato. Tras subsanar la avería, la tecla de alarma se apaga al cabo de un cierto tiempo.
La iluminación no funciona.	La iluminación está defectuosa.	(Véase el capítulo «Iluminación interior».)
Las paredes laterales del aparato están calientes.	En el interior de las paredes laterales hay tubos que se calientan durante el proceso de refrigeración.	Este comportamiento del aparato es normal, no se trata de una avería.
El aparato no enfría.	Un corte del suministro de corriente.	Verificar si hay corriente.
La iluminación no funciona.	El fusible está desactivado.	Verificar el fusible.
La pantalla de visualización no se ilumina.	El enchufe del aparato no está correctamente asentado en la toma de corriente.	Cerciorarse de que el enchufe esté asentado correctamente en la toma de corriente.
La frecuencia y duración de la conexión del grupo frigorífico aumenta.	La puerta del aparato se ha abierto con demasiada frecuencia.	No abrir la puerta del aparato innecesariamente.
	Las aberturas de ventilación y aireación están obstruidas.	Eliminar la causa de la obstrucción.
	Se ha introducido una gran cantidad de alimentos frescos.	No superar la máxima capacidad de congelación de alimentos frescos del aparato.

Autocomprobación del aparato

Su aparato dispone de un programa automático de autocomprobación que le muestra las causas de las posibles averías; éstas sólo pueden ser subsanadas por el Servicio de Asistencia Técnica Oficial de la marca.

Iniciar el ciclo de autocomprobación del aparato

1. Desconectar el aparato y aguardar 5 minutos.
2. Volver a conectar el aparato.
3. Pulsar la tecla «mode» 7 y la tecla de confirmación 13 simultáneamente durante 5 segundos.

El programa de autocomprobación arranca. Si en la pantalla de visualización aparece una «E.», se trata de una avería. Avise al Servicio de Asistencia Técnica Oficial en caso de que aparezca esta indicación de avería.

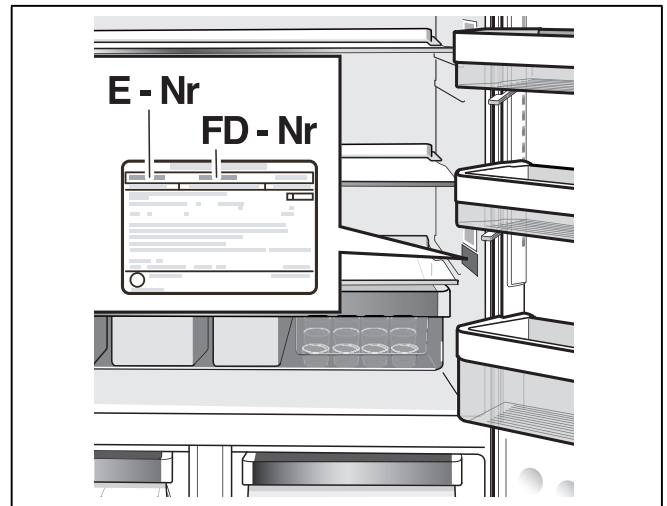
Concluir el ciclo de autocomprobación

Volver a pulsar la tecla «mode» 7 y la tecla de confirmación 13 simultáneamente durante 5 segundos.

Servicio de Asistencia Técnica

La dirección y el número de teléfono del Servicio de Asistencia Técnica Oficial de la marca más próximo a su domicilio los podrá localizar a través de la guía telefónica de su localidad o el directorio del Servicio de Asistencia Técnica Oficial. Al solicitar la intervención del Servicio de Asistencia Técnica, no olvide indicar el Número de producto (E-Nr.) y el Número de fabricación (FD-Nr.) de su aparato.

Ambos números se encuentran en la placa de características del aparato.



Rogamos evitar viajes innecesarios, indicando el número de producto y de fabricación. De este modo se ahorrará los gastos que éstos conllevan.

Solicitud de reparación y asesoramiento en caso de averías

Las señas de las delegaciones internacionales figuran en la lista adjunta de centros y delegaciones del Servicio de Asistencia Técnica Oficial.

E 902 11 88 21

pt Índice

Instruções de segurança e de aviso	60
Instruções sobre reciclagem	62
O fornecimento inclui	62
Instalação do aparelho	62
Medidas de colocação	64
Ângulo de abertura	64
Alinhar o aparelho	64
Montar as capas do puxador da porta	65
Ligar o aparelho	65
Desmontar as portas do aparelho	65
Familiarização com o aparelho	66
Ligar o aparelho	68
Ajustar a temperatura	68
Função de alarme	68
Funções especiais	68
Capacidade útil	69
Zona de congelação	69
Máx. capacidade de congelação	70
Congelação de alimentos frescos	70
Supercongelação	70
Descongelação dos alimentos	71
Zona de refrigeração	71
Superrefrigeração	71
A gaveta de frio intensivo	72
Equipamento da zona de congelação	73
Disposição variável do espaço interior	74
Desligar e desactivar o aparelho	74
Descongelação	74
Limpeza do aparelho	74
Iluminação (LED)	75
Como poupar energia	75
Ruídos de funcionamento	75
Eliminação de pequenas anomalias	76
Auto-teste do aparelho	77
Assistência Técnica	77

⚠ Instruções de segurança e de aviso

Antes de colocar o aparelho em funcionamento

Deverá ler atentamente as instruções de serviço e de montagem! Delas constam informações importantes sobre instalação, utilização e manutenção do aparelho.

O fabricante não se responsabiliza, se não forem observadas as instruções e avisos constantes das instruções de serviço.

Guarde toda a documentação para posterior utilização ou para outro possuidor.

Segurança técnica

O aparelho contém, em quantidades reduzidas o agente refrigerador R600a não poluente, mas inflamável. Ter cuidado para que a tubagem do circuito do agente refrigerador não sofra qualquer dano durante o transporte ou durante a montagem. O agente refrigerador, ao libertar-se, pode incendiar-se ou provocar ferimentos nos olhos.

Em caso de danos

- Manter o aparelho afastado de chamas ou de fontes de ignição,
- arejar bem o compartimento durante alguns minutos,
- desligar o aparelho e retirar a ficha da tomada,
- contactar os Serviços Técnicos.

Quanto mais agente de refrigeração existir num aparelho, maior tem que ser o espaço onde se encontra o aparelho. Em espaços muito pequenos e havendo uma fuga, pode formar-se uma mistura de gás/ar inflamável.

Por cada 8 gramas de agente de refrigeração, o espaço da instalação tem que ser, no mínimo, de 1 m³.

A quantidade de agente refrigerador do seu aparelho vem indicada na chapa de características, que se encontra no interior do aparelho.

Se o cabo eléctrico deste aparelho sofrer algum dano, o mesmo deve ser substituído pelo fabricante, pelos Serviços Técnicos ou por um técnico igualmente qualificado. Instalações e reparações inadequadas podem acarretar perigos vários para o utilizador.

As reparações no aparelho só devem ser efectuadas pelo fabricante, pelos Serviços Técnicos ou por um técnico igualmente qualificado.

Só devem ser utilizadas peças originais do fabricante. Só com estas peças o fabricante pode garantir que elas satisfazem as exigências de segurança.

Uma extensão do cabo de ligação à rede só pode ser adquirida através dos Serviços Técnicos.

Utilização

- Nunca utilizar aparelhos eléctricos dentro do aparelho (por ex. aquecedores, aparelhos eléctricos para fazer gelados, etc.). Perigo de explosão!
- Nunca descongelar nem limpar o aparelho com um aparelho de limpeza a vapor! O vapor pode atingir os componentes eléctricos e provocar um curto-circuito. Perigo de choque eléctrico!
- Não utilizar quaisquer objectos pontiagudos ou de arestas vivas para eliminar gelo simples ou em camadas. Poderá, com isso, danificar a tubagem do agente refrigerador. O agente refrigerador, ao libertar-se, pode incendiar-se ou provocar ferimentos nos olhos.
- Não guardar no aparelho produtos com gases propulsores (por ex. latas de spray) e produtos explosivos. Perigo de explosão!
- Não utilizar rodapés, gavetas, portas, etc. como estribos ou zonas de apoio.
- Para limpeza, retirar a ficha da tomada ou desligar o dispositivo de segurança. Puxar pela ficha e não pelo cabo eléctrico.
- Álcool de elevada percentagem só pode ser guardado no aparelho, se em recipiente hermeticamente fechado e em posição vertical.

- Ter cuidado para não sujar as peças de plástico e o vedante da porta com óleo ou gordura. As peças de plástico e o vedante da porta podem, de contrário, tornar-se porosos.
- Nunca tapar ou obstruir as grelhas de ventilação do aparelho.
- **Evitar riscos para crianças e pessoas susceptíveis:**
Susceptíveis a riscos estão as crianças e as pessoas com limitações físicas, psíquicas ou mentais, bem como pessoas que não tenham conhecimentos suficientes sobre o comando seguro do aparelho.
Certifique-se de que crianças e pessoas susceptíveis compreenderam os riscos existentes.
Uma pessoa responsável pela segurança deve instruir e supervisionar crianças e pessoas susceptíveis a riscos.
Só permitir a utilização do aparelho a crianças com mais de 8 anos.
Supervisionar as crianças em caso de trabalhos de limpeza e manutenção.
Nunca deixe que crianças brinquem com o aparelho.
- Não guardar na zona de congelação líquidos em garrafas ou latas (especialmente bebidas gaseificadas). As garrafas e as latas podem rebentar!
- Nunca levar imediatamente à boca alimentos congelados e acabados de retirar da zona de congelação.
Perigo de queimaduras provocadas pelo frio!
- Deverá evitar o contacto prolongado das mãos com os alimentos congelados, o gelo ou com a tubagem do evaporador, etc.
Perigo de queimaduras provocadas pelo frio!

Crianças em casa

- Não deixar a embalagem e seus componentes ao alcance de crianças. Perigo de asfixia provocado por cartões dobráveis e películas!
- O aparelho não é um brinquedo para crianças!
- No caso de aparelhos com fechadura: Guardar a chave fora do alcance das crianças!

Determinações gerais

O aparelho destina-se

- à refrigeração e congelação de alimentos,
- à preparação de gelo.

Este aparelho está preparado para utilização doméstica em casas particulares e para o ambiente doméstico. O aparelho está protegido contra interferências, de acordo com a directiva UE 2004/108/EC.

O circuito de frio foi testado quanto à sua estanquidade.

Este produto corresponde às determinações sobre segurança em vigor para aparelhos eléctricos (EN 60335-2-24).

O aparelho foi concebido para ser utilizado até a uma altitude de 2000 metros acima do nível do mar, no máximo.

Instruções sobre reciclagem

Reciclagem da embalagem

A embalagem protege o seu aparelho de danos no transporte. Os materiais utilizados não são poluentes e são reutilizáveis. Proceda à reciclagem da embalagem de forma compatível com o meio ambiente.

Junto do seu Agente ou dos Serviços Municipalizados poderá informar-se sobre os procedimentos actuais de reciclagem.

Reciclagem dos aparelhos usados

Os aparelhos antigos não são lixo sem qualquer valor! Através duma reciclagem compatível com o meio ambiente, podem ser recuperadas matérias primas valiosas.



Este aparelho está marcado em conformidade com a Directiva 2012/19/UE relativa aos resíduos de equipamentos eléctricos e electrónicos (waste electrical and electronic equipment - WEEE).

A directiva estabelece o quadro para a criação de um sistema de recolha e valorização dos equipamentos usados válido em todos os Estados Membros da União Europeia.

Aviso

Em aparelhos fora de serviço

1. Desligar a ficha da tomada.
2. Cortar o cabo eléctrico e afastá-lo do aparelho com a respectiva ficha.
3. Não retirar as prateleiras e os recipientes, para evitar que as crianças trepem com a ajuda destes.
4. Não deixar que as crianças brinquem com o aparelho fora de serviço. Perigo de asfixia!

Os aparelhos de frio contêm agente refrigerador e, no isolamento, gases. O agente refrigerador e os gases devem ser eliminados correctamente. Ter cuidado para não danificar a tubagem do agente refrigerador até à sua reciclagem correcta.

O fornecimento inclui

Depois de desembulhar o aparelho, há que verificar todas as peças quanto eventuais danos de transporte. Para reclamações, dirija-se ao Agente, onde comprou o aparelho ou à nossa Assistência Técnica.

O fornecimento é constituído pelas seguintes peças:

- Aparelho Solo
- Saco com material para a montagem
- Equipamento (dependente do modelo)
- Instruções de serviço
- Folheto sobre Assistência Técnica
- Anexo sobre garantia
- Informações sobre consumo de energia e ruídos

Instalação do aparelho

Transporte

O aparelho é pesado. Fixar correctamente durante o transporte e durante a montagem!

Devido ao peso e às dimensões do aparelho, bem como para minimizar o risco de ferimentos ou danos no aparelho, a instalação segura do aparelho deve ser efectuada por, pelo menos, duas pessoas.

Local da instalação

O aparelho deve ser instalado em local seco e arejado. O local da instalação não deve estar sujeito à acção directa dos raios solares nem estar perto de qualquer fonte de calor, como um fogão, um aquecedor, etc. Se for inevitável a instalação junto de uma fonte de calor, deverá utilizar uma placa isoladora adequada ou manter as seguintes distâncias mínimas em relação à fonte de calor:

- Em relação a fogões eléctricos e a gás: 3 cm.
- Em relação a fogões a óleo ou a carvão 30 cm.

Em caso de instalação junto de um outro aparelho de refrigeração ou de congelação, é necessária uma distância lateral mínima de 25 mm, para se evitar a formação de condensação.

Se o aparelho, na parte de cima, for tapado por um painel ou um armário, tem que ser prevista uma fenda de 30 mm, para que o aparelho, se necessário, possa ser retirado para fora do nicho.

O ar aquecido na parte de trás do aparelho tem que poder ser expelido sem impedimentos.

Piso

⚠ Atenção

O aparelho é muito pesado.

Versão: 158 kg

O pavimento no local da instalação não pode ceder, se necessário, reforçá-lo.

Para que as portas possam abrir até ao batente, têm que ser mantidas distâncias laterais mínimas, se o aparelho for instalado num canto ou num nicho (ver o capítulo "Medidas de instalação").

Se a profundidade dos outros móveis/aparelhos de cozinha contíguos ultrapassar os 60 cm, têm que ser respeitadas distâncias laterais mínimas, para se utilizar o ângulo total de abertura da porta (ver capítulo "Ângulo de abertura da porta").

Ter em atenção a temperatura ambiente e a ventilação

Temperatura ambiente

As classes climáticas estão indicadas na chapa de características. Ela indica a amplitude de temperaturas ambiente, em que o aparelho pode funcionar. A placa de características localiza-se à direita em baixo na zona de refrigeração.

Classe climática	Temperatura ambiente permitida
SN	+10 °C até 32 °C
N	+16 °C até 32 °C
ST	+16 °C até 38 °C
T	+16 °C até 43 °C

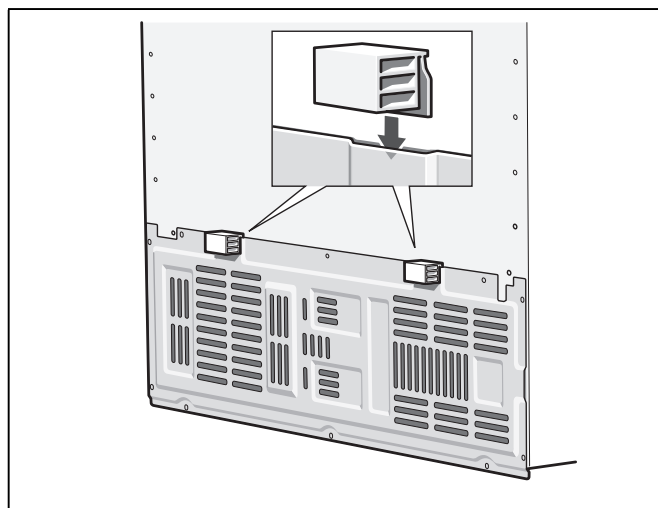
Indicação

O aparelho está completamente operacional dentro dos limites da temperatura ambiente da classe climática indicada. Se um aparelho da classe climática SN for operado a temperaturas ambientes mais baixas, podem ser excluídos danos no mesmo até uma temperatura de +5 °C.

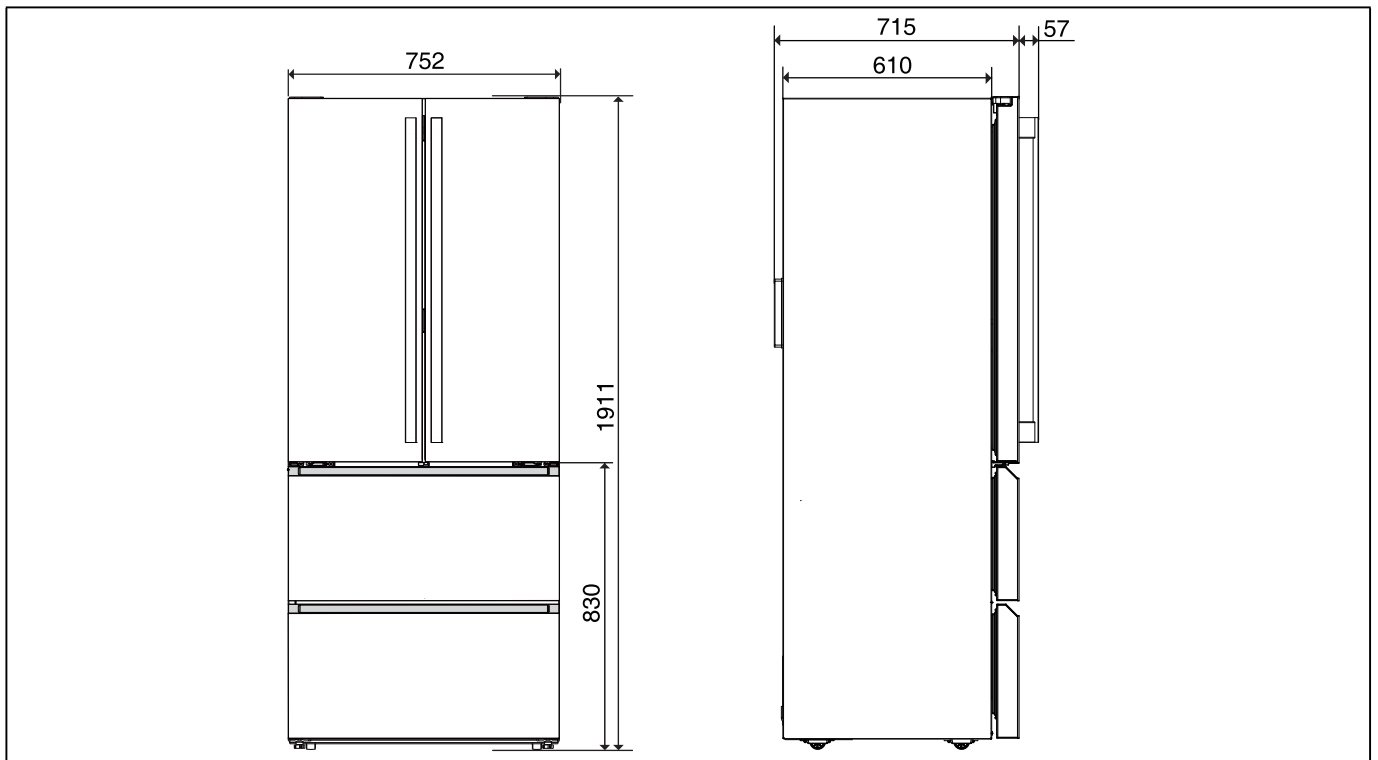
Ventilação

Nunca tapar as aberturas de ventilação na parede posterior do aparelho. O ar aquecido tem que poder ser expelido sem impedimentos. De contrário, a máquina de frio tem que trabalhar mais. Isto aumentará o consumo de energia.

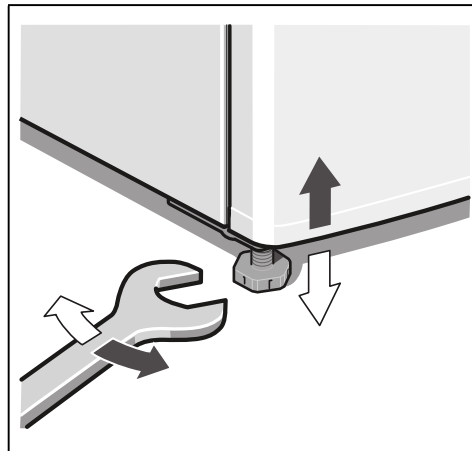
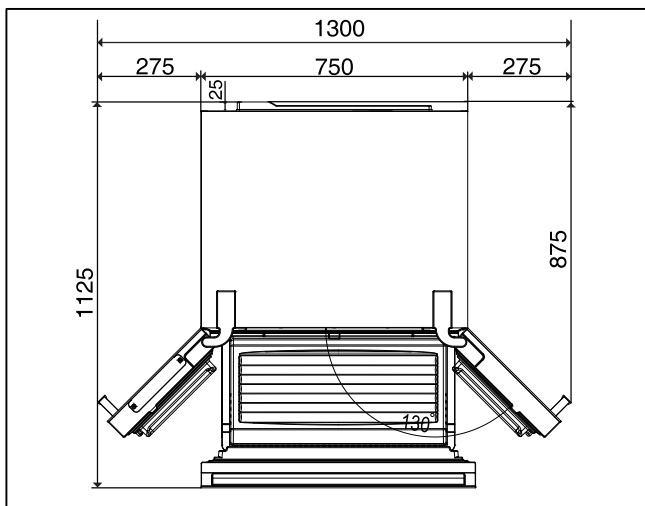
Encaixe os distanciadores que vão junto no suporte previsto para o efeito no lado de trás do aparelho. Devido a isso é mantida a distância mínima em relação à parede.



Medidas de colocação



Ângulo de abertura



Alinhar as portas

O aparelho dispõe de batentes ajustáveis nas portas. Estes permitem alinhar as portas.

1. Abra as duas portas do compartimento de refrigeração e a gaveta superior do compartimento de congelação.
2. Por baixo da dobradiça inferior das portas do compartimento de refrigeração encontra-se um parafuso.
Utilize uma chave Philips para alinhar as portas mediante uma regulação dos parafusos.
3. Cada rotação do parafuso no sentido horário sobe a respetiva porta em 1,5 mm.

A altura máxima ajustável é de 3 mm.

Alinhar o aparelho

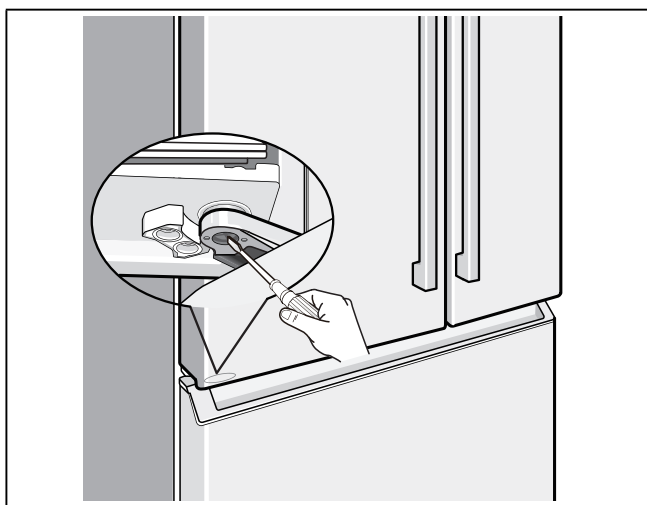
Colocar o aparelho no local previsto e alinhá-lo. Depois de instalado, o aparelho tem que ficar firme e nivelado. As irregularidades no chão devem ser compensadas através dos dois pés roscados existentes na parte frontal do aparelho. Para ajustar os pés roscados, utilizar uma chave de parafusos.

Indicação

O aparelho tem que ficar na vertical. Alinhar o aparelho com a ajuda de um nível de bolha de ar.

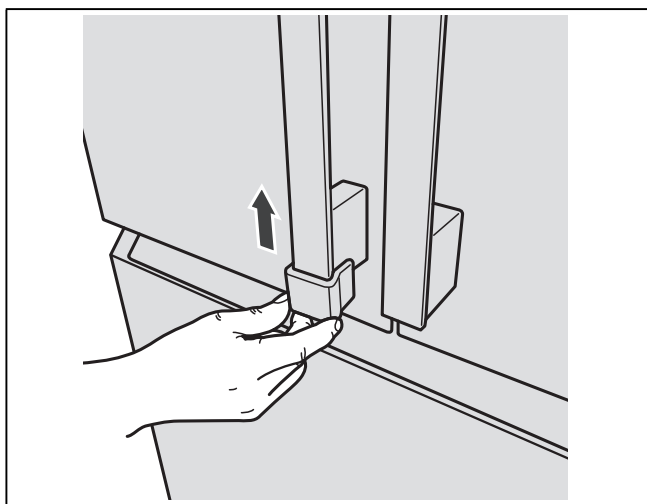
Indicação

Para se poder rodar os parafusos com maior facilidade, as portas devem estar sem carga. Além disso, pode ainda facilitar a regulação da porta levantando-a.



Montar as capas do puxador da porta

Monte as capas fornecidas nos cantos do puxador da porta. Deste modo, evita que as crianças se magoem nos cantos.



Ligar o aparelho

O aparelho deve ser instalado e ligado por um técnico especializado, respeitando as instruções de montagem.

As seguranças de transporte das prateleiras só devem ser retiradas, depois do aparelho instalado.

Para além das normas legais nacionais, devem, também, ser respeitadas as condições de ligação das empresas distribuidoras de electricidade.

Depois do aparelho estar instalado, dever-se-á esperar, pelo menos, 1 hora, antes de pôr o aparelho a funcionar. Durante o transporte, pode acontecer que o óleo existente no compressor se tenha infiltrado no sistema de frio.

Antes da primeira colocação em funcionamento, deverá limpar o interior do aparelho (ver «Limpeza do aparelho»).

Ligação eléctrica

A tomada deve situar-se junto do aparelho e ficar facilmente acessível, depois da instalação do aparelho.

O aparelho corresponde à classe de protecção I. Ligar o aparelho a uma tomada de corrente alterna de 220-240 V/50 Hz instalada de acordo com as normas e com fio de terra. A tomada de corrente tem que estar protegida por um fusível de 10 até 16 A.

No caso de aparelhos que funcionem em países não europeus, deve verificar-se na chapa de características se a tensão indicada e o tipo de corrente coincidem com os valores da sua rede de eléctrica. Estas indicações encontram-se na placa de características (ver capítulo «Assistência Técnica»).

⚠ Aviso

O aparelho não deve, de forma alguma, ser ligado a uma tomada electrónica de poupança de energia.

Para utilização dos nossos aparelhos podem ser usados conversores de condução de rede e de condução sinusoidal. Conversores condutores de rede são utilizados em instalações fotovoltaicas, que são directamente ligadas à rede eléctrica pública. Em caso de soluções em forma de ilha (por ex. no caso de barcos ou de cabanas de montanha), que não dispõem de qualquer ligação à rede pública, devem ser utilizados conversores de condução sinusoidal.

Desmontar as portas do aparelho

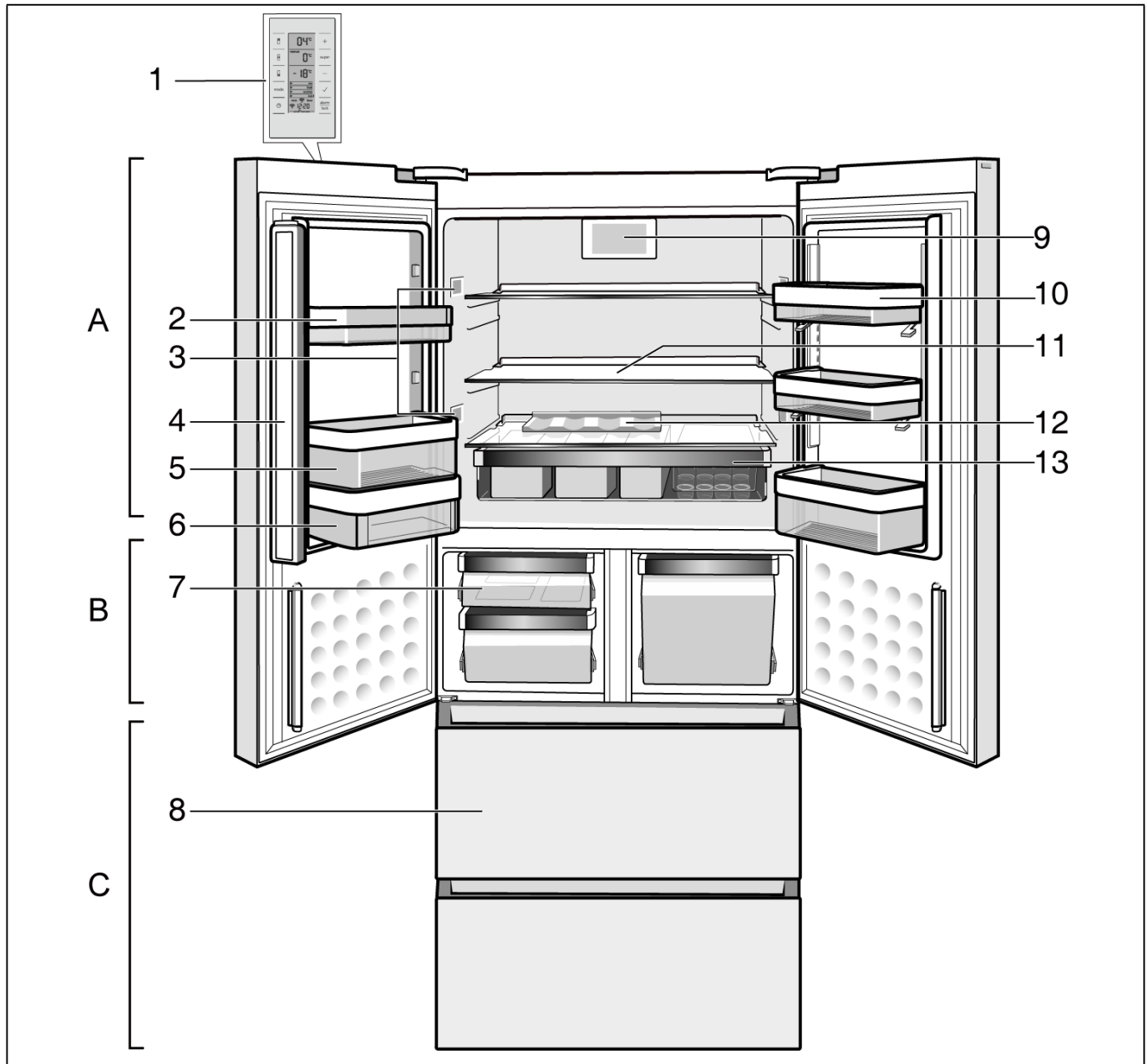
Se o aparelho não passar pela porta da casa, pode-se desaparafusar as portas do aparelho.

⚠ Atenção

As portas do aparelho só podem ser desaparafusadas pelos Serviços Técnicos.

Familiarização com o aparelho

Estas instruções de serviço aplicam-se a vários modelos. São, por isso, possíveis diferenças nas imagens.



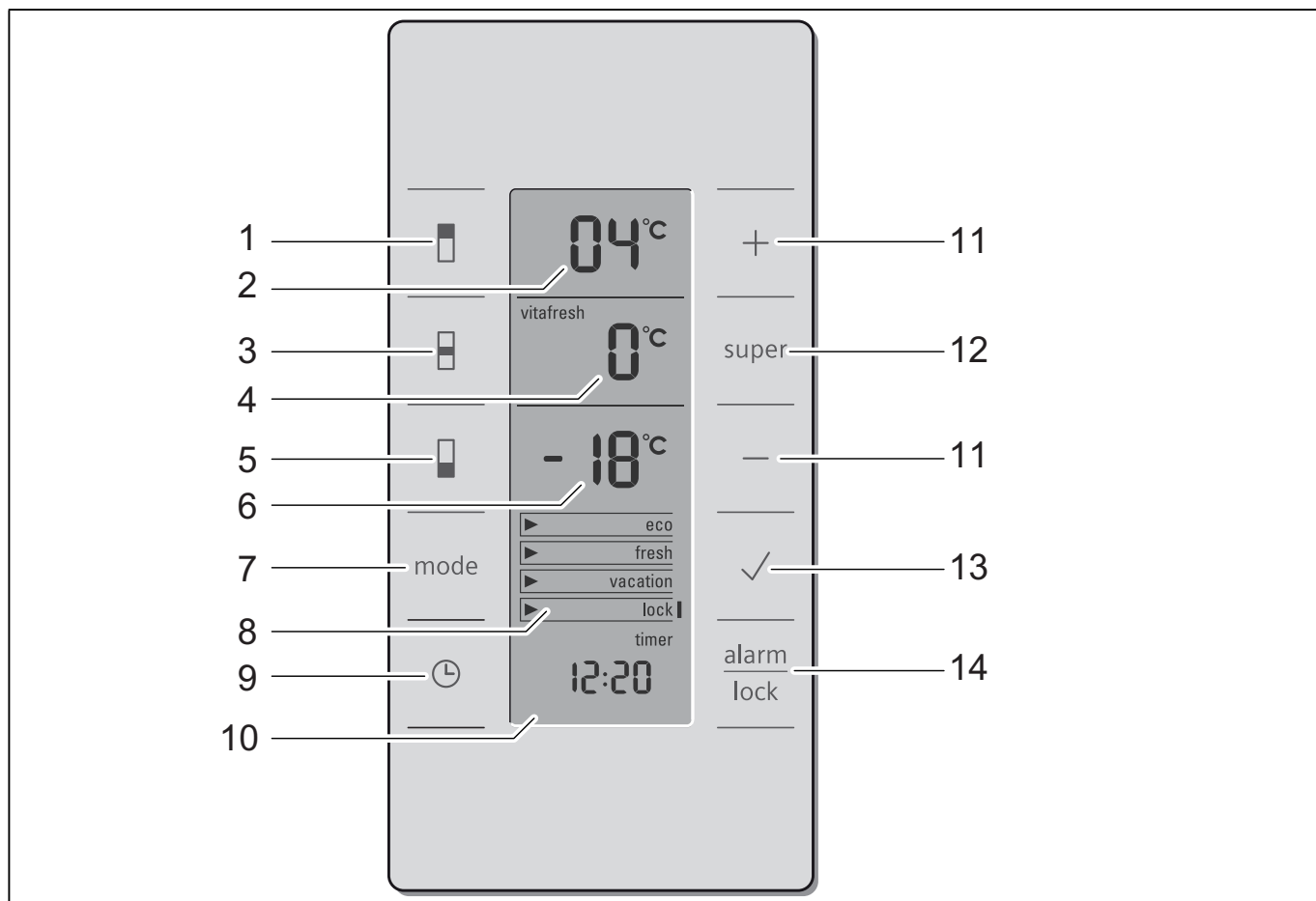
* Não existente em todos os modelos.

- A Zona de refrigeração
- B Zona de frio intenso
- C Zona de congelamento
- 1 Painel de comandos e de indicações
- 2 Prateleira para frascos
- 3 Iluminação da zona de refrigeração
- 4 Aba de vedação da porta
- 5 Prateleira para garrafas grandes

- 6 Compartimento para queijo e manteiga
- 7 Gaveta de frio intenso
- 8 Gavetas de congelados
- 9 Ventilador
- 10 Prateleira regulável (EasyLift)
- 11 Prateleira de vidro na zona de refrigeração
- 12 Prateleiras para garrafas
- 13 Snack-Box

Painel de comandos e de indicações

O campo de comando e de indicações nas portas é formado por uma zona de contacto. Através do contacto com um campo de teclas é activada a função correspondente.



- | | |
|---|---|
| <p>1 Tecla de selecção da zona de refrigeração
Permite a regulação na zona de refrigeração.</p> <p>2 Indicação zona de refrigeração
Mostra a temperatura actualmente regulada na zona de refrigeração.</p> <p>3 Tecla de selecção da zona de frio intenso
Permite a regulação de temperatura na zona de frio intenso.</p> <p>4 Indicação «Gaveta de frio intenso»
Mostra a temperatura actualmente regulada na gaveta de frio intenso.</p> <p>5 Tecla de selecção da zona de congelação
Permite a regulação de temperatura na zona da congelação.</p> <p>6 Indicação zona de congelação
Mostra a temperatura actualmente regulada na zona de congelação.</p> <p>7 Tecla «mode»
Para selecção das funções especiais. Ver capítulo «Funções especiais».</p> <p>8 Indicação de funções especiais
Ver capítulo «Funções especiais».</p> <p>9 Tecla «timer»
Com esta função, é possível regular um espaço de tempo que será lembrado com um sinal acústico. Ver capítulo «Funções especiais».</p> | <p>10 Visor do temporizador
Indica a evolução do tempo com a função principal do temporizador ativada.</p> <p>11 Teclas de regulação +/-
As teclas têm como função</p> <ul style="list-style-type: none"> ■ Regular a temperatura das várias zonas de refrigeração. ■ Alterar a regulação de tempo das funções especiais do temporizador. <p>12 Tecla Super
Serve para ligar as funções super-refrigeração (zona de refrigeração), assim como supercongelação (gaveta de congelação) (ver capítulo Super-refrigeração ou o capítulo Supercongelação).</p> <p>13 Tecla de confirmação
Esta tecla serve como tecla de confirmação das funções especiais seleccionadas.</p> <p>14 Tecla "Alarm/lock"
A tecla serve para</p> <ul style="list-style-type: none"> ■ Desligar o aviso sonoro (ver capítulo "Função de alarme") ■ Desligar o bloqueio das teclas (ver capítulo "Funções especiais"). |
|---|---|

Ligar o aparelho

Ao ligar à electricidade, o aparelho fica ligado.

O aviso sonoro soa. A indicação da temperatura do compartimento de congelação 6 e a indicação de alarme acendem.

Prima a tecla de alarme 14. O aviso sonoro deixa de se ouvir e a indicação de alarme deixa de piscar.

A indicação da temperatura do compartimento de congelação 6 mostra a temperatura regulada.

A indicação de alarme apaga-se assim que o aparelho atingir a temperatura regulada.

As temperaturas pré-reguladas serão atingidas após algumas horas. Antes disso, não coloque qualquer alimento dentro do aparelho.

Ajustar a temperatura

Para poder efetuar regulações no seu aparelho:

1. Selecione a área desejada com as teclas de seleção do compartimento de refrigeração 1, zona de frio intensivo 3 ou compartimento de congelação 5.
2. Ajuste a temperatura desejada com as teclas de regulação +/- 11.

Compartimento de refrigeração

(ajustável entre +2 °C e +10 °C)

Recomendamos uma regulação de +4 °C.

Alimentos sensíveis não devem ser conservados a uma temperatura superior a +4 °C.

Zona de frio intensivo

(ajustável entre 0 °C e +8 °C)

Recomendamos uma regulação de 0 °C.

Indicação

Se na zona de frio intensivo se formar gelo nos alimentos, regule para uma temperatura mais quente!

Compartimento de congelação

(ajustável entre -16 °C e -26 °C)

Recomendamos uma regulação de -18 °C.

Função de alarme

Premindo a tecla «alarm», o aviso acústico fica desactivado.

Um alarme pode disparar nas seguintes condições:

Alarme da porta

Se o aparelho estiver aberto durante um longo período, o alarme da porta (som contínuo) é ativado. Ao fechar o aparelho ou premir a tecla de alarme 14, o aviso sonoro é novamente desativado.

Alarme de temperatura

O alarme de temperatura dispara, se a temperatura estiver demasiado alta dentro do aparelho e os alimentos correrem perigo.

Sem perigo para os alimentos, o sinal de aviso acústico ou ótico pode surgir:

- Na colocação do aparelho em funcionamento.
- Em caso de colocação de grande quantidade de alimentos frescos.

No respetivo painel de indicações, surge a indicação "Alarm" e soa um aviso sonoro.

Depois de premida a tecla de alarme, a indicação da temperatura mostra durante vários segundos a temperatura mais alta, que predominou no compartimento de congelação. Depois, volta a ser indicada a temperatura regulada.

A indicação "Alarm" desaparece no visor assim que a temperatura regulada for novamente alcançada.

Indicações

- Não volte a congelar alimentos descongelados ou que iniciaram a descongelação.
Só poderão ser novamente congelados depois de confeccionados numa refeição concluída (cozida ou assada).
Já não use o prazo máximo de conservação.
- Se o compartimento de refrigeração tiver atingido temperaturas demasiado elevadas, aqueça bem os alimentos afetados antes de serem consumidos. Em caso de dúvida, já não utilize os alimentos crus.

Funções especiais

[eco]

Esta função permite-lhe comutar o aparelho para o funcionamento com economia de energia.

O aparelho regula automaticamente as temperaturas seguintes:

- Compartimento de refrigeração: + 6 °C
- Zona de frio intensivo: 0 °C
- Compartimento de congelação: - 16 °C

Ativar/desativar a função [eco]

1. Prima a tecla de modo 7.
2. Prima a tecla de modo 7 até a função "eco" estar assinalada com uma seta no painel de indicações.
3. Confirme a seleção com a tecla 13.
Se surgir uma barra de lado, perto da seleção, a função está ativada.

[fresh]

Com o modo "Fresco" [fresh], os alimentos permanecem frescos por mais tempo.

O aparelho regula automaticamente as temperaturas seguintes:

- Compartimento de refrigeração: + 4 °C
- Zona de frio intensivo: 0 °C

- Compartimento de congelação: - 18 °C

Ativar/desativar a função [fresh]

1. Prima a tecla de modo 7.
2. Prima a tecla de modo 7 até a função "fresh" estar assinalada com uma seta no painel de indicações.
3. Confirme a seleção com a tecla 13.
Se surgir uma barra de lado, perto da seleção, a função está ativada.

[vacation]

Em caso de ausência prolongada, poderá colocar o aparelho no modo de férias, com economia de energia.

Atenção

Durante este período, não deverá conservar alimentos no compartimento de refrigeração!

O aparelho regula automaticamente as temperaturas seguintes:

- Compartimento de refrigeração: + 14 °C
- Zona de frio intensivo: + 14 °C

O compartimento de congelação mantém as temperaturas reguladas.

Ativar/desativar a função [vacation]

1. Prima a tecla de modo 7.
2. Prima a tecla de modo 7 até a função "vacation" estar assinalada com uma seta no painel de indicações.
3. Confirme a seleção com a tecla 13.
Se surgir uma barra de lado, perto da seleção, a função está ativada.

[lock]

Com a função «lock» o aparelho pode ser protegido contra utilização indesejada.

Ativar/desativar a função [lock]

1. Prima a tecla de modo 7.
2. Prima a tecla de modo 7 até a função "lock" estar assinalada com uma seta no painel de indicações.
3. Confirme a seleção com a tecla 13.
Se surgir uma barra de lado, perto da seleção, a função está ativada. Já não é possível executar as regulações através das teclas.
Prima a tecla "Alarm/Lock" 14 durante 3 segundos para desativar novamente a função.

«timer»

Com esta função, pode ser regulado um espaço de tempo de 1–99 minutos. Será recordado com um sinal, por ex., se passado um determinado tempo, tiverem que ser retirados alimentos da gaveta.

Na fábrica, é feita uma regulação de 20 minutos.

Atenção

Garrafas de bebidas podem rebentar, se estiverem guardadas na zona de congelação mais de 20 minutos.

Regular o temporizador e iniciar

1. Prima a tecla de seleção do temporizador 9.
2. Regule o número de minutos desejado com as teclas de regulação +/- 11.
3. Confirme a regulação com a tecla de confirmação 13e inicie o temporizador.
No painel de indicações do temporizador 10, é indicado o número de minutos restantes.
Passados os minutos regulados, soa um sinal de alarme.
4. Termine o sinal de alarme com a tecla "Alarm/Lock" 14.
A função de temporizador terminou.

Capacidade útil

As indicações sobre capacidade útil estão indicadas na placa de características do seu aparelho (ver capítulo «Serviços Técnicos»).

Zona de congelação

Utilize o compartimento de congelação

- Para conservar alimentos congelados.
- Para produzir cubos de gelo.
- Para congelar alimentos.

Indicação

Certifique-se sempre de que o compartimento de congelação fica bem fechado! Com o aparelho aberto, os alimentos descongelam e o compartimento de congelação forma muito gelo. Além disso: Verifica-se um desperdício de energia, devido ao seu consumo elevado!

Depois de se fechar o compartimento de congelação, forma-se uma depressão e, devido a isso, desenvolve-se um ruído de aspiração. Aguarde dois a três minutos até que a depressão se tenha dissipado.

Recomendamos que se deixe o depósito para cubos de gelo no aparelho. Deste modo, assegura-se uma perfeita distribuição da temperatura na zona de congelação.

Compra de alimentos ultracongelados

- A embalagem não deve estar danificada.
- Dar atenção à data de validade.
- A temperatura na arca congeladora da loja deve ser de -18 °C ou inferior.
- Se possível, transportar os alimentos ultracongelados num saco térmico e arrumá-los rapidamente na zona de congelação.

Máx. capacidade de congelação

Os dados sobre a capacidade máxima de congelação em 24 horas podem ser encontrados na chapa de características (ver ilustração no capítulo «Assistência Técnica»).

Congelação de alimentos frescos

Para congelação, deverá utilizar sempre alimentos frescos e em perfeito estado.

Para que o valor nutricional, o aroma e a cor se mantenham o melhor possível, os legumes devem ser branqueados, antes da sua congelação. No caso de beringelas, pimentos, courgetes e espargos não é necessário o branqueamento.

Nas livrarias poderá encontrar literatura sobre congelação e branqueamento.

Indicação

Cuidado para que os alimentos a congelar não entrem em contactos com os alimentos já congelados.

- Alimentos adequados para congelação:
Bolos, peixe e frutos do mar, carne, caça, aves, legumes, fruta, ervas aromáticas, ovos sem casca, lacticínios, como queijo, manteiga e requeijão, refeições prontas e restos de comida, como sopas, guisados, peixe e carne cozinhados, refeições com batata, soufflés e doces.
- Alimentos não adequados para congelação:
Legumes habitualmente consumidos crus, como saladas de folha ou rabanetes, ovos com casca, uvas, maçãs inteiras, peras e pêsegos, ovos bem cozidos, iogurt, leite gordo, natas azedas, crême fraîche e maionese.

Embalagem dos alimentos congelados

Embarcar os alimentos hermeticamente, para que não percam o sabor nem sequem.

1. Introduzir os alimentos na embalagem.
2. Expelir o ar para o exterior.
3. Fechar a embalagem hermeticamente.
4. Etiquetar a embalagem com o conteúdo e a data de congelação.

Adequado como embalagem:

Película de plástico, manga de polietileno, folha de alumínio, caixas próprias para congelação. Estes produtos encontram-se à venda no comércio da especialidade.

Inadequado como embalagem:

Papel de embrulho, papel de pergaminho, celofane, sacos do lixo, sacos de compras usados.

Adequado para fechar:

Elásticos, clips de plástico, fios, fita adesiva resistente ao frio, entre outros.

Sacos e mangas de película de polietileno podem ser fechados com um aparelho próprio.

Prazo de validade dos alimentos congelados

O prazo de validade depende do tipo de alimentos.

Com uma temperatura de -18 °C:

- Peixe, charcutaria, refeições prontas, bolos:
até 6 meses
- Queijo, aves, carne:
até 8 meses
- Legumes, fruta:
até 12 meses

Supercongelação

Os alimentos devem congelar até ao núcleo o mais rapidamente possível, para que conservem vitaminas, valores nutritivos, aspecto e sabor.

Ligue a supercongelação algumas horas antes de inserir os alimentos no aparelho, para evitar uma subida indesejada da temperatura.

Em geral, são suficientes 4–6 horas antes.

Depois de ligado, o aparelho trabalha continuamente e na zona de congelação é atingida uma temperatura muito baixa.

Se tiver que ser utilizada a capacidade máxima de congelação, a supercongelação deve ser activada 24 horas antes da colocação dos produtos frescos.

Pequenas quantidades de alimentos (até 2 kg) podem ser congeladas, sem supercongelação.

Indicação

Se a supercongelação estiver ligada, os ruídos de funcionamento podem ser mais elevados.

Ligar e desligar

1. Prima a tecla de seleção do compartimento de congelação 5.
A indicação do compartimento de congelação 6 é ativada.
2. Prima a tecla "Super" 12.
Se no visor do compartimento de congelação 6 surgir a indicação "Super" e uma regulação da temperatura de -30 °C, a supercongelação está ativada.

A supercongelação desliga automaticamente após aprox. 2½ dias.

Descongelação dos alimentos

Dependendo do tipo e da fim a que se destina o alimento, podem ser escolhidas as seguintes possibilidades:

- à temperatura ambiente
- no frigorífico
- no forno eléctrico, com/sem ventilação de ar quente
- no micro-ondas

Atenção

Não voltar a congelar alimentos descongelados ou que iniciaram a descongelação. Só depois de cozinhados, é que estes alimentos podem voltar a ser congelados. Não utilizar mais o prazo máximo de conservação dos alimentos.

Zona de refrigeração

A zona de refrigeração é o local ideal para a conservação de refeições prontas, produtos de pastelaria, conservas, leite condensado e queijo rijo.

Ter em atenção ao colocar alimentos

- Conservar alimentos frescos e em boas condições. Assim, a qualidade e a frescura são conservadas por mais tempo.
- No caso de produtos prontos e de artigos refrigerados, deve ser observada a data mínima de validade indicada pelo fabricante.
- Para manter o aroma, a cor e a frescura, os alimentos devem ser bem embalados ou tapados. Assim evitam-se a transmissão de sabores e as mudanças de cor das peças de plástico na zona de refrigeração.
- Deixar arrefecer alimentos e bebidas, antes de os arrumar no aparelho.

Tenha em atenção as áreas de frio dentro do compartimento de refrigeração

Devido à circulação de ar no compartimento de refrigeração, surgem diferentes áreas de frio.

A zona mais fria situa-se na área inferior do compartimento de refrigeração e na prateleira para garrafas grandes.

A zona mais quente situa-se na parte superior da porta.

Indicações

- Na zona mais quente, poderá guardar, por exemplo, queijo e manteiga. O queijo conserva assim o seu aroma e a manteiga mantém-se fácil para barrar.
- Conserve alimentos delicados como, p. ex, peixe, enchidos e carne na zona de frio intensivo (ver capítulo "A zona de frio intensivo").

Abrir e fechar as portas do compartimento de refrigeração

Na porta esquerda do compartimento de refrigeração encontra-se uma aba de vedação. Esta aba de vedação veda a fenda entre as portas do compartimento de refrigeração.

Atenção

A aba de vedação fica danificada, se fechar a porta esquerda do compartimento de refrigeração enquanto a porta direita do compartimento de refrigeração está já fechada.

Por isso, feche sempre primeiro a porta esquerda do compartimento de refrigeração.

Superrefrigeração

Com a «Superrefrigeração», a zona de refrigeração arrefece o máximo possível durante cerca de 6 horas. Depois, é feita a comutação automática para a temperatura ajustada antes da activação da Superrefrigeração.

Activar a Superrefrigeração, por ex.

- antes da colocação de grande quantidade de alimentos.
- para a refrigeração rápida de bebidas.

Indicação

Se a superrefrigeração estiver ligada, os ruídos de funcionamento podem ser mais elevados.

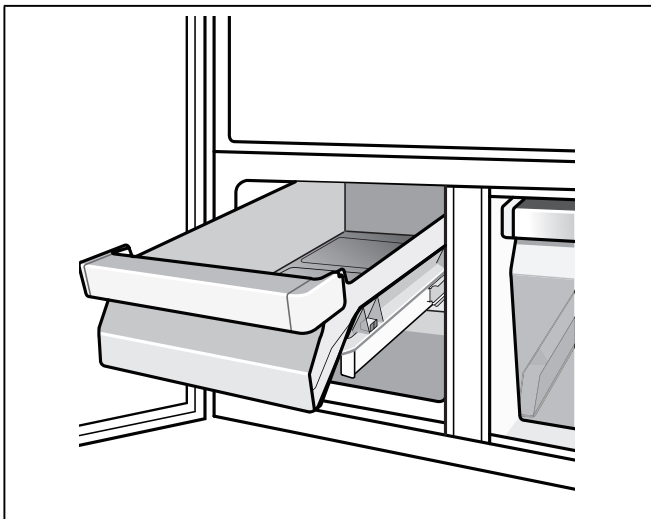
Ligar e desligar

1. Prima a tecla de seleção do compartimento de refrigeração 1.
A indicação do compartimento de refrigeração 2 é ativada.
2. Prima a tecla "Super" 12.
Se no visor do compartimento de refrigeração 2 surgir a indicação "Super" e uma regulação de temperatura de +2 °C, a super refrigeração está ativada.

A gaveta de frio intensivo

A temperatura na gaveta de frio intensivo é mantida próximo dos 0 °C. A temperatura baixa, que pode ser adaptada especificamente à respetiva mercadoria armazenada, garante condições ideais de armazenamento para produtos alimentares frescos.

Os produtos alimentares podem ser conservados frescos durante um período de tempo até três vezes superior do que na zona de refrigeração normal – para garantir uma frescura ainda mais prolongada, conservação dos nutrientes e sabor.



Na gaveta de frio intensivo existem temperaturas mais baixas do que no compartimento de refrigeração. Na regulação 0 °C também podem surgir temperaturas abaixo de 0 °C.

A temperatura deve ser regulada de acordo com os produtos alimentares armazenados:

- Carne e peixe, 0 °C
- Leite e iogurtes, +2 °C
- Frutas e legumes, +4 °C

Gaveta de humidade

A gaveta de humidade do lado direito da zona de frio intensivo está coberta por um filtro especial, que otimiza a retenção da humidade do ar dentro da gaveta. Deste modo, na gaveta de humidade, dependendo da quantidade de alimentos aí guardados, predomina até 95 % de humidade do ar. Este ambiente de conservação proporciona as condições ideais para a frescura de fruta, salada, legumes, ervas aromáticas ou cogumelos.

Indicação

Conforme a quantidade e o produto armazenados, pode formar-se água de condensação na gaveta de humidade. Remova a água de condensação com um pano seco.

Alimentos adequados para o frio intensivo:

Por norma, todos os géneros alimentícios frescos e que devem permanecer frescos durante ainda mais tempo, como, p. ex., peixe, frutos do mar, carne, charcutaria, produtos lácteos e alimentos pré-cozinhados.

Alimentos não indicados para o frio intensivo:

Fruta e legumes sensíveis ao frio (por ex. fruta tropical tal como ananás, bananas, papaia, citrinos, melões e, ainda, tomates, beringelas, corgetes, pimentos, pepinos, batatas).

O local ideal para conservação destes alimentos é a zona de refrigeração.

Na compra de alimentos, ter em atenção o seguinte:

Importante para o período de conservação dos seus alimentos é a «frescura no momento da compra».

Principalmente vale: se colocar produtos alimentares mais frescos no aparelho, mais tempo ficam frescos.

Por isso, na compra dos seus alimentos, tome sempre atenção ao seu grau de frescura.

No caso de produtos prontos e de artigos refrigerados, deve ser observada a data mínima de validade indicada pelo fabricante.

Tempos de conservação (a 0 °C)

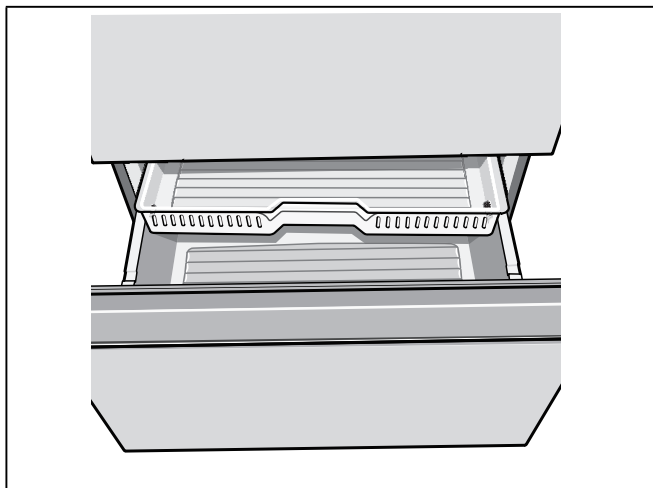
dependente da qualidade inicial	
Peixe fresco, frutos do mar	até 3 dias
Aves, carne (cozida/assada)	até 5 dias
Vaca, porco, carneiro, carnes frias (em fatias)	até 7 dias
Peixe fumado, brócolos	até 14 dias
Salada, funcho, damascos, ameixas	até 21 dias
Queijo mole, iogurte, requeijão, soro de manteiga, couve-flor	até 30 dias

Equipamento da zona de congelação

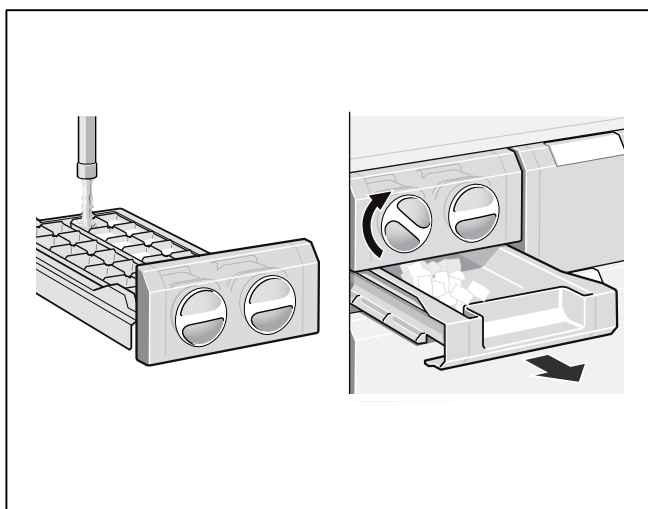
(não existente em todos os modelos)

Acessório da gaveta

O elemento pode ser retirado.



Preparador de gelo



1. Retirar a cuvete, enchê-la com água potável até $\frac{3}{4}$ e voltar a colocá-la.
2. Quando os cubos de gelo estiverem congelados, girar várias vezes os manípulos da cuvete para a direita e, depois, soltá-los. Os cubos de gelo soltam-se e caem na caixa para cubos de gelo.
3. Retirar cubos de gelo do depósito de cubos de gelo.

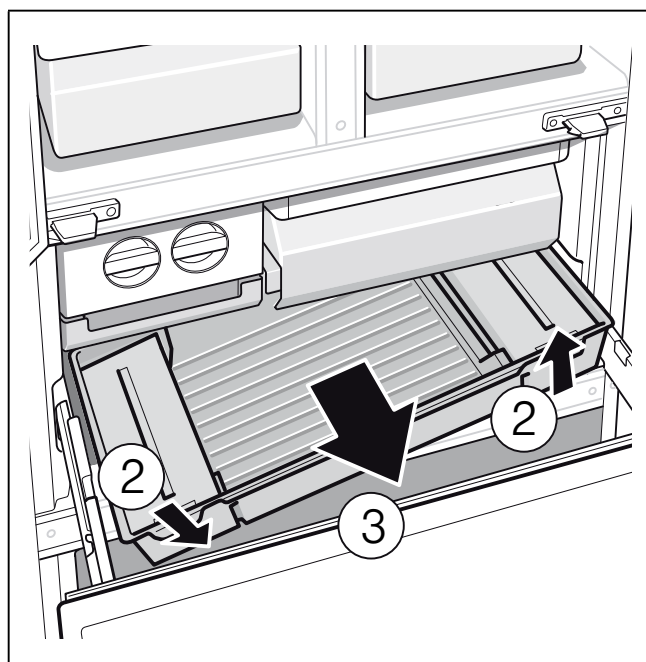
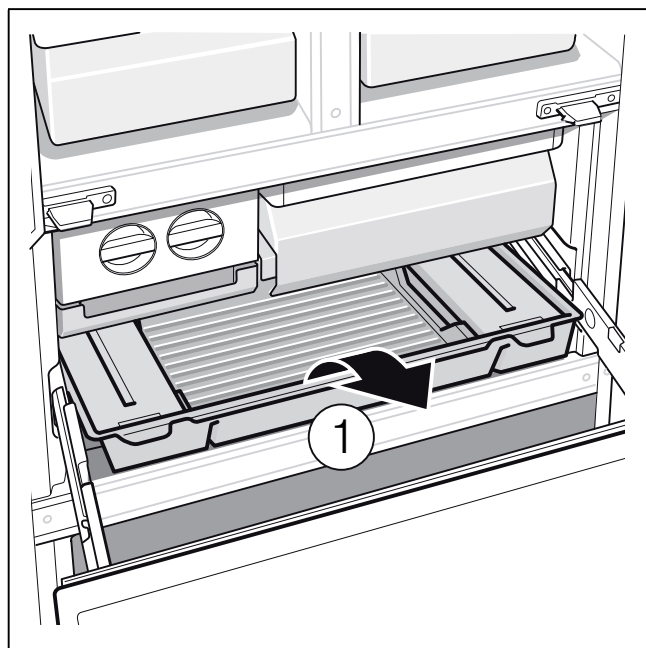
Fundo falso com acumuladores de frio

No fundo falso entre os recipientes de alimentos congelados podem ser arrumados acumuladores de frio e pequenos alimentos congelados de forma organizada.

Em caso de falha de energia ou de anomalia, os acumuladores de frio retardam o aquecimento dos alimentos guardados. O maior tempo de conservação é obtido, colocando os acumuladores de frio na gaveta superior sobre os alimentos.

Os acumuladores de frio podem, também, ser retirados para a manutenção temporária de frio de alimentos, por ex., numa mala térmica.

Depois de o recipiente de alimentos congelados superior ser retirado, o fundo falso também pode ser retirado.



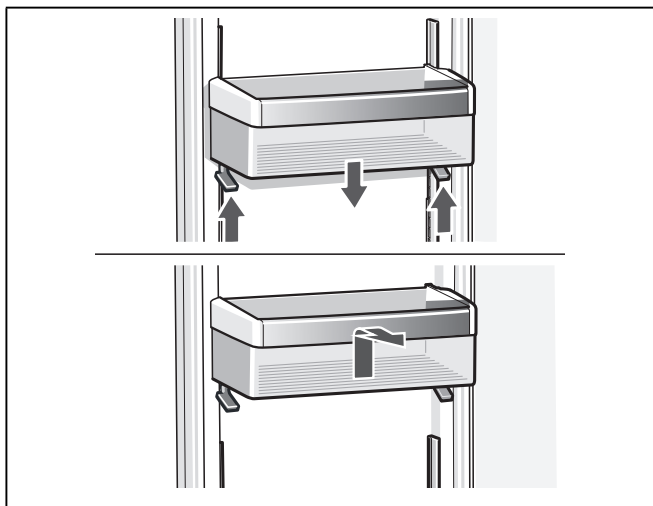
Disposição variável do espaço interior

(não existente em todos os modelos)

De acordo com as necessidades, pode alterar a disposição das prateleiras no interior e dos recipientes da porta.

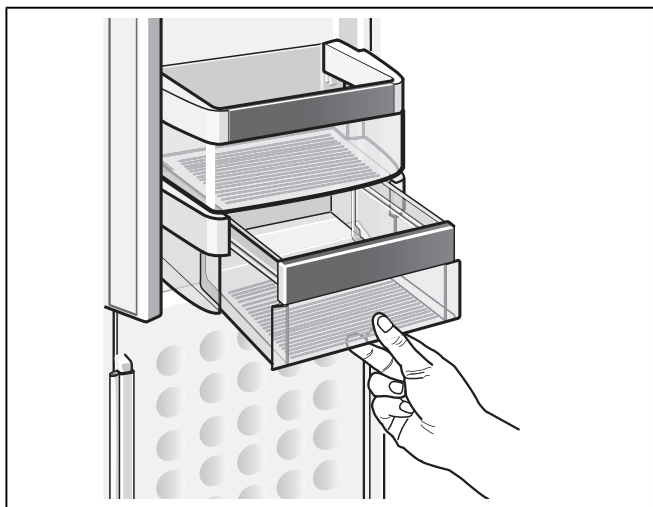
- Puxar a prateleira para a frente, rebaixar e deslocá-la lateralmente inclinada para fora.
- As prateleiras da porta não necessitam de ser retiradas para que seja feita a regulação em altura. Pressione, simultaneamente, para cima os botões na parte inferior da prateleira da porta para esta ser deslocada para baixo. Elas podem ser deslocadas para cima, sem necessidade de pressionar os botões.

Para retirar: levante a prateleira da porta e retire-a.



Compartimento para manteiga e queijo

Para limpar o compartimento, levante-o pela parte de baixo e retire-o.



Desligar e desactivar o aparelho

Desligar o aparelho

Desligar a ficha da tomada ou os fusíveis.
A máquina de frio desliga.

Desactivar o aparelho

Se o aparelho não for utilizado por um longo período de tempo:

1. Desligar o aparelho.
2. Desligar a ficha da tomada ou os fusíveis.
3. Limpar o aparelho.
4. Deixar a porta do aparelho aberta.

Descongelação

Zona de congelação

Graças ao sistema NoFrost totalmente automático, não há formação de gelo na zona de congelação. Deixa, assim, de ser necessária a sua descongelação.

Zona de refrigeração

A descongelação processa-se automaticamente.

A água da descongelação passa através dum orifício de escoamento para um recipiente de evaporação na parede posterior do aparelho.

Limpeza do aparelho

⚠ Aviso

Nunca limpar o aparelho com um aparelho de limpeza a vapor!

⚠ Atenção

Não utilizar quaisquer produtos de limpeza e solventes com teor abrasivo, de cloro ou ácidos.

⚠ Atenção

Não utilizar esponjas abrasivas ou ásperas. Nas superfícies metálicas poderia formar-se corrosão.

⚠ Atenção

Não lavar prateleiras nem recipientes na máquina de lavar loiça. As peças podem ficar deformadas.

Proceda do seguinte modo:

1. Retirar a ficha da tomada ou desligar o disjuntor.
2. Retirar os alimentos congelados e colocá-los em local fresco. Colocar o acumulador de frio (se existente) sobre os alimentos.
3. Aguardar até a camada de gelo derreter.

4. Limpar o aparelho com um pano macio, água morna e um produto de limpeza neutro. A água da limpeza não atingir os elementos de comando nem a iluminação.
5. Limpar o vedante da porta só com água limpa e depois secar bem.
6. Depois da limpeza: Voltar a ligar o aparelho.
7. Voltar a colocar os alimentos congelados.

Equipamento

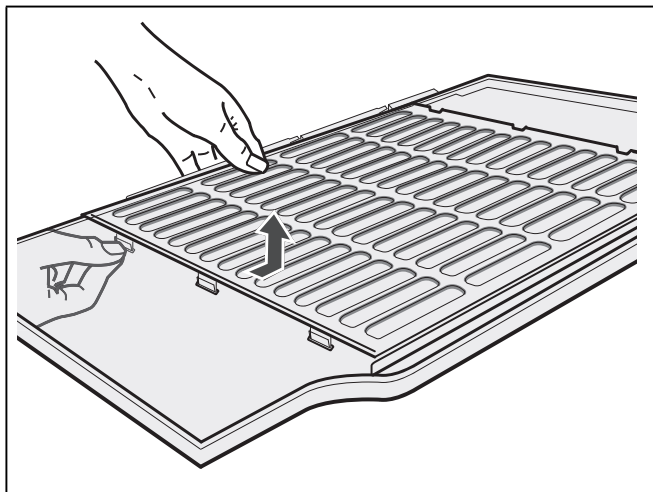
Para limpeza, todos os componentes variáveis do aparelho podem ser retirados (ver capítulo «Disposição variável do espaço interior»).

Indicação

Para retirar e limpar as gavetas, abrir completamente as portas para lá dos 90°.

Retirar o filtro de humidade

1. Comece por retirar a gaveta de frio intensivo direita. Depois disso, retire o filtro de humidade.
2. Levante a cobertura do filtro, retire o filtro, lave-o em água morna, deixe-o secar e volte a colocá-lo.



Iluminação (LED)

O seu aparelho está equipado com uma iluminação LED que não carece de manutenção.

Reparações neste tipo de iluminação só devem ser executadas pelos nossos Serviços Técnicos ou por técnicos especializados devidamente autorizados.

Como poupar energia

- Instalar o aparelho em local seco e arejado! O aparelho não deve estar directamente sujeito à acção dos raios solares, nem próximo duma fonte de calor (por ex. radiadores, fogão). Se necessário, utilizar uma placa isoladora.
- Não tapar as aberturas de ventilação.
- Deixar arrefecer alimentos e bebidas, antes de os arrumar no aparelho.

- Para a descongelação, coloque os alimentos congelados na zona de refrigeração e aproveite o frio dos alimentos congelados para a refrigeração dos alimentos.
- Abrir a porta do aparelho o mínimo tempo possível.
- É importante verificar, se a porta da zona de congelação fica bem fechada.
- Se existente: Montar o distanciador em relação à parede, para atingir o consumo de energia indicado para o aparelho (ver capítulo «Instalação do aparelho», «Ventilação»). Uma distância reduzida em relação à parede não limita o aparelho quanto ao seu funcionamento. O consumo de energia pode aumentar insignificante.
- A disposição dos elementos do equipamento não tem influência sobre o consumo energético do aparelho.

Ruídos de funcionamento

Ruídos absolutamente normais

Zumbido

Os motores trabalham (por ex. agregados de frio, ventilador).

Ruídos

semelhantes a água a borbulhar ou sussurros

O agente de refrigeração está a circular através dos tubos.

Cliques

Motor, interruptor ou válvulas magnéticas ligam/desligam.

Evitar ruídos

O aparelho está desnivelado

Favor nivelar o aparelho com a ajuda de um nível de bolha dear. Utilizar, para isso, os pés de enroscar ou colocar qualquer coisa por baixo.

O aparelho está encostado

Favor afastar o aparelho dos móveis ou aparelhos vizinhos.

Recipientes e prateleiras abanam ou estão presos

Verificar as peças removíveis e voltar a colocá-las no lugar.

Garrafas ou outros recipientes tocam-se

Afastar, ligeiramente, as garrafas e recipientes uns dos outros.

Eliminação de pequenas anomalias

Antes de pedir a intervenção dos Serviços Técnicos:

Deverá verificar, se você mesmo não poderá eliminar a anomalia, com a ajuda das indicações seguintes.

Limpar as calhas colectoras e o furo de escoamento (ver capítulo Limpeza do aparelho).

O cliente terá sempre que suportar os custos do nosso técnico – , mesmo durante o período de garantia!

Anomalia	Causa possível	Ajuda
A temperatura difere bastante da temperatura regulada.		Para alguns casos, basta desligar o aparelho durante 5 minutos. Se a temperatura estiver demasiado alta, verificar após algumas horas, se houve uma aproximação em relação à temperatura regulada. Se a temperatura estiver demasiado baixa, voltar a verificar a temperatura no dia seguinte.
Nenhuma indicação está iluminada.	Falha de energia; os fusíveis dispararam; a ficha não está bem ligada na tomada.	Ligar a ficha à tomada. Verificar, se há corrente na instalação doméstica, controlar o fusível.
O aviso sonoro soa. A tecla de alarme 14 acende.	Anomalia - no compartimento de congelação está demasiado quente! A porta do aparelho está aberta. As aberturas para ventilação estão tapadas. Foram colocados demasiados alimentos de uma vez para congelar.	Para desligar o aviso sonoro, prima a tecla de alarme 14. Feche a porta do aparelho. Verifique a ventilação. Não exceda a capacidade máxima de congelação. Depois de eliminada a anomalia, a tecla de alarme apaga-se passado algum tempo.
A iluminação não está a funcionar.	A iluminação apresenta anomalia.	(Ver capítulo «Iluminação».)
As paredes laterais do aparelho estão quentes.	Nas paredes laterais, encontram-se tubos que aquecem durante o arrefecimento.	Trata-se de um comportamento normal do aparelho e não de uma avaria.
O aparelho não tem potência de refrigeração.	Falta de energia. O fusível está desligado.	Verificar se há corrente. Controlar o fusível.
A iluminação não está a funcionar. O indicador não acende.	A ficha de ligação à rede não está bem encaixada.	Verificar, se a ficha está bem ligada à tomada.
A máquina de frio está ligada por períodos mais frequentes e mais longos.	Maior frequência na abertura da porta do aparelho. As aberturas de ventilação estão tapadas. Congelação de maior quantidade de alimentos frescos.	Não abrir a porta sem necessidade. Afastar os obstáculos. Não ultrapassar a capacidade máxima de congelação.

Auto-teste do aparelho

O seu aparelho dispõe de um programa de auto-teste automático que lhe indica fontes de anomalias, que só devem ser eliminadas pelos nossos Serviços Técnicos da sua zona.

Iniciar o auto-teste do aparelho

1. Desligue o aparelho e aguarde 5 minutos.
2. Volte a ligar o aparelho.
3. Prima a tecla de modo 7 e a tecla de confirmação 13 em simultâneo durante 5 segundos.

O programa de auto-teste inicia-se. Se, no campo de indicações aparecer «E.» trata-se de uma anomalia. Se surgir a indicação desta anomalia, informe os nossos Serviços Técnicos.

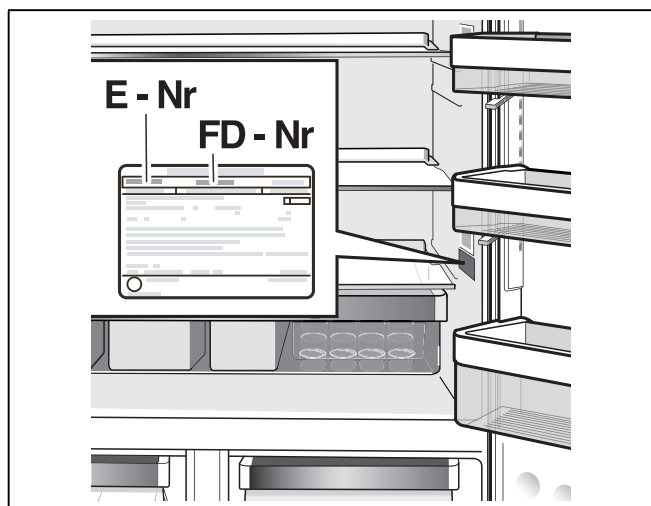
Terminar o auto-teste do aparelho

Prima novamente a tecla de modo 7 e a tecla de confirmação 13 em simultâneo durante 5 segundos.

Assistência Técnica

Na lista telefónica ou no índice de Postos de Assistência que acompanha o aparelho, encontrará o Posto de Assistência Técnica da sua zona de residência. Por favor, indique aos Serviços Técnicos o número de produto (E-Nr.) e o número de fabrico (FD-Nr.) do seu aparelho.

Pode encontrar estas indicações na chapa de características.



Indicando o número de produto (E-Nr.) e o número de fabrico (FD-Nr.), evitará deslocções desnecessárias. Assim, irá evitar custos adicionais.

Ordem de reparação e apoio em caso de anomalias

Os dados para contacto com todos os países encontram-se no índice dos Serviços Técnicos anexo.

PT 21 4250 720

BSH Hausgeräte GmbH
Carl-Wery-Straße 34
81739 München, GERMANY

siemens-home.com

Manufactured by BSH Hausgeräte GmbH under Trademark License of Siemens AG
Fabricado por BSH Hausgeräte GmbH bajo licencia de marca de Siemens AG
Prodotto da BSH Hausgeräte GmbH in quanto licenziatario del marchio di Siemens AG
Fabricado pela BSH Hausgeräte GmbH sob licença de marca comercial da Siemens AG



8001027677 (9510)

en, it, es, pt