



Register your new Bosch now:
www.bosch-home.com/welcome



BGL4...



BOSCH

Table of content

Safety information	4
Intended use	4
Spare parts, accessories, dust bags	4
Safety information	5
Proper use	5
Your vacuum cleaner	8
Replacement parts and special accessories	10
Initial use	12
Connecting the flexible hose	12
Putting the handle and the telescopic tube together	13
Inserting the telescopic tube into the floor nozzle	13
Adjusting the telescopic tube	13
Attaching the accessories holder	14
Connecting the appliance	14
Switch on /off	15
Controlling the suction level	15
Vacuuming	16
Set the adjustable floor nozzle	16
Vacuuming with accessories	17
Parking aid	17
Carrying the appliance	18
After vacuuming	18
Disconnecting the appliance	18
Storing and transporting	19
Changing the filter	20
Replacing the dust bag	20
Opening the lid	21
Changing the dust bag	22

Table of content

Cleaning the motor protection filter23
Replacing the exhaust filter24
Vacuum cleaner with micro-hygiene filter24
Vacuum cleaner with HEPA filter26
Cleaning instructions27
Notes on the energy label28
Disposal29
Customer service30
Conditions of guarantee31

Safety information

Please keep this instruction manual. When passing the vacuum cleaner on to a third party, please also pass on this instruction manual.

Intended use

This vacuum cleaner is intended for domestic use and not for commercial use. Only use this vacuum cleaner in accordance with the instructions in this instruction manual.

In order to prevent injuries and damage, the vacuum cleaner must not be used for:

- Vacuum-cleaning persons or animals
- Vacuuming up:
 - hazardous, sharp-edged, hot or glowing substances.
 - damp or liquid substances.
 - highly flammable or explosive substances and gases.
 - ash, soot from tiled stoves and central heating systems.
 - toner dust from printers and copiers.

Spare parts, accessories, dust bags

Our original spare parts, original (special) accessories and original dust bags are designed to work with the features and requirements of our vacuum cleaners. We therefore recommend that you only use our original spare parts, original (special) accessories and original dust bags. This will ensure that your vacuum cleaner has a long service life and that the quality of its cleaning performance will remain consistently high throughout.

! Please note

Using unsuitable or inferior-quality spare parts, (special) accessories and dust bags can damage your vacuum cleaner. Damage caused by the use of such products is not covered by our guarantee.

Safety information

Safety information

This vacuum cleaner complies with the recognised rules of technology and the relevant safety regulations.

- The appliance may be used by children over the age of 8 years and by persons with reduced physical, sensory or mental capacity or by persons with a lack of experience or knowledge if they are supervised or have been instructed on the safe use of the appliance and they have understood the potential dangers of using the appliance.
- Children must never play with the appliance.
- Cleaning and user maintenance must never be carried out by children without supervision.
- Plastic bags and films must be kept out of the reach of children before disposal. => Risk of suffocation.

Proper use

- Only connect and use the vacuum cleaner in accordance with the specifications on the rating plate.
- Never vacuum without the dust bag or dust container, motor protection or exhaust filter.
=> This may damage the vacuum cleaner.
- Always keep the vacuum cleaner away from your head when using nozzles and tubes.
=> This could cause injury!
- When vacuuming stairs, the appliance must always be positioned below the user.
- Do not use the power cord or the hose to carry or transport the vacuum cleaner.
- For safety reasons, if this appliance's mains power cable becomes damaged, it must be replaced by the manufacturer, their after-sales service department or a similarly qualified person.

Safety information

- If using the appliance for longer than 30 minutes, pull out the power cord completely.
- When disconnecting the appliance from the mains, pull on the plug itself to remove it; do not pull on the power cord.
- Do not pull the power cord over sharp edges or allow it to become trapped.
- When the cable is being automatically rewound, ensure that the mains plug is not thrown towards persons, body parts, animals or objects.
=> Use the mains plug to guide the power cord.
- Pull out the mains plug before carrying out any work on the vacuum cleaner.
- Do not operate the vacuum cleaner if it is damaged. Unplug the appliance from the mains if a fault is detected.
- For safety reasons, only authorised after-sales service personnel are permitted to carry out repairs and fit replacement parts to the vacuum cleaner.
- Protect the vacuum cleaner from the weather, moisture and sources of heat.
- Do not pour flammable substances or substances containing alcohol onto the filters (dust bag, motor protection filter, exhaust filter, etc.).
- The vacuum cleaner is not suitable for use on construction sites.
=> Vacuuming up building rubble could damage the appliance.
- When not in use, switch off the appliance and pull out the mains plug.
- At the end of its life, the appliance should immediately be rendered unusable, then disposed of in an appropriate manner.

Safety information

! Please note

The mains socket must be protected by at least a 16 amp circuit breaker.

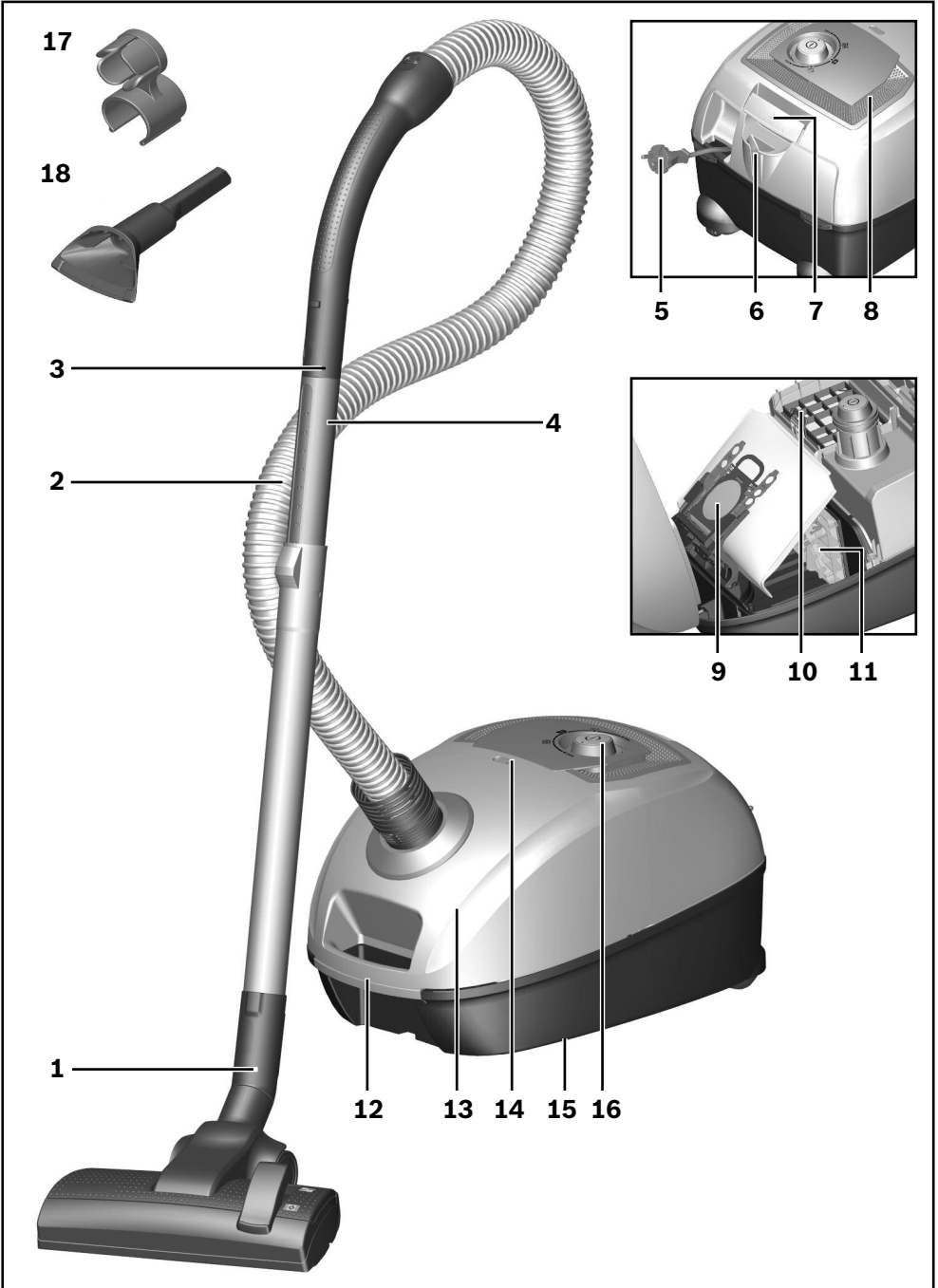
If a circuit breaker is tripped when you switch on the vacuum cleaner, this may be because other electrical appliances which have a high current draw are connected to the same power circuit.

To prevent the circuit breaker from tripping, select the lowest power setting before switching the appliance on, and increase the power only once it is running.

▪ Accessories

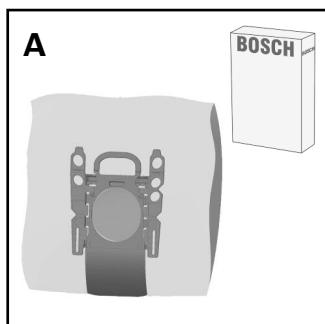
Your accessories (nozzle, suction pipe, etc.) may look different from but work in the same way as those depicted in the illustrations in this instruction manual.

Your vacuum cleaner



Your vacuum cleaner

- ① Adjustable floor tool
- ② Flexible hose
- ③ Hose hand grip
- ④ Telescopic tube with adjusting sleeve
- ⑤ Power cord
- ⑥ Parking aid
- ⑦ Locking lever
- ⑧ Exhaust grille
- ⑨ Dust bag
- ⑩ Exhaust filter
- ⑪ Motor protection filter, washable
- ⑫ Carrying handle
- ⑬ Dust bag compartment lid
- ⑭ Dust bag change indicator
- ⑮ Storage aid (on underside of appliance)
- ⑯ On/off button and power controller
- ⑰ Accessories holder for multi-purpose nozzle
- ⑱ Multi-purpose nozzle



A Replacement filter package

Type PowerProtect

No. 00577549

Contents:

- 4 dust bags with fasteners
- 1 micro-hygiene filter

We therefore recommend that you only use our original dust bags.

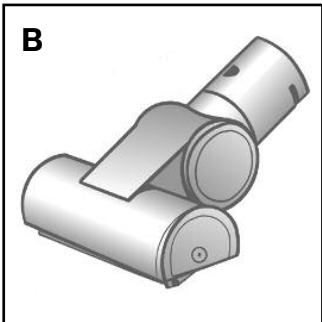
Your appliance is a highly efficient vacuum cleaner that achieves excellent cleaning results when used with high-quality dust bags. Only by using high-quality dust bags (such as Bosch original dust bags) can you ensure that your vacuum cleaner is working at the energy efficiency class, dust pick-up rate and dust retention capacity listed on its EU energy label.

The use of inferior-quality dust bags (e.g. paper bags) can have a negative effect on the service life and performance of your appliance. Using unsuitable or inferior-quality dust bags can also damage your vacuum cleaner. Such damage is not covered by our guarantee.

You can find more information about this at www.bosch-home.com/dust-bag. You can order our original vacuum cleaner bags here.

Replacement parts and special accessories

B

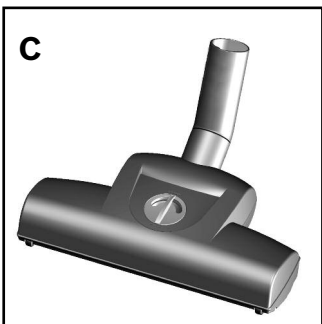


B TURBO-UNIVERSAL® brush for upholstery BBZ42TB

All-in-one brushing and vacuuming of upholstered furniture, mattresses, car seats, etc. Especially suitable for picking up pet hair. The brush roller is driven by the suction air flow through the vacuum cleaner.

No separate electrical connection is needed.

C



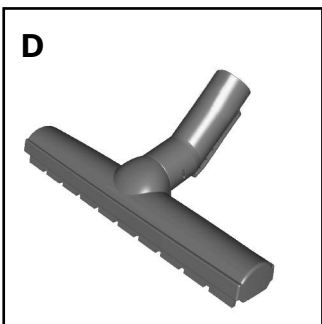
C TURBO-UNIVERSAL® brush for floors BBZ102TBB

All-in-one brushing and vacuuming of rugs and carpets as well as all hard floor coverings.

Especially suitable for picking up pet hair. The brush roller is driven by the suction air flow of the vacuum cleaner.

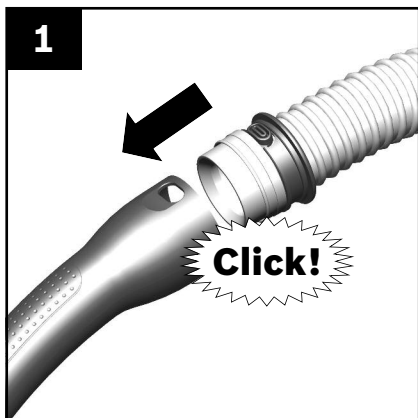
No separate electric connection is needed.

D



D Hard-floor nozzle BBZ123HD

For vacuuming hard floors (parquet, tiles, terracotta, etc.)



Connecting the flexible hose

Figure 1

- Push the hand grip onto the flexible hose and lock it in place.

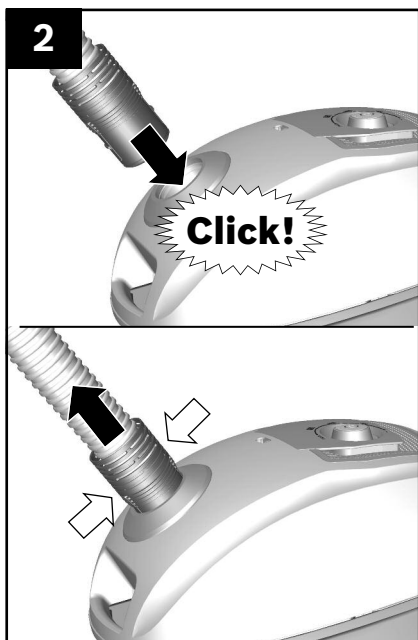


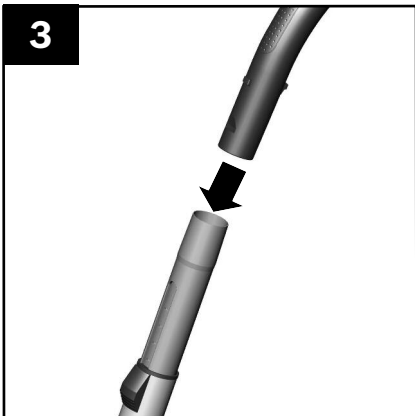
Figure 2

- Push the flexible hose adapter into the air intake opening in the vacuum cleaner lid until it locks in place.

- To remove the flexible hose, press the two catches together and pull out the hose.

Initial use

3

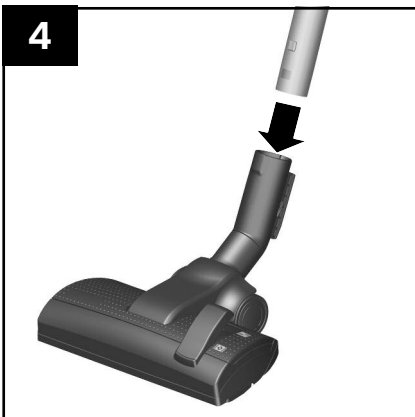


Putting the handle and the telescopic tube together

Figure 3

- Push the hand grip into the telescopic tube. To remove it, turn the hand grip slightly and pull it out of the tube.

4

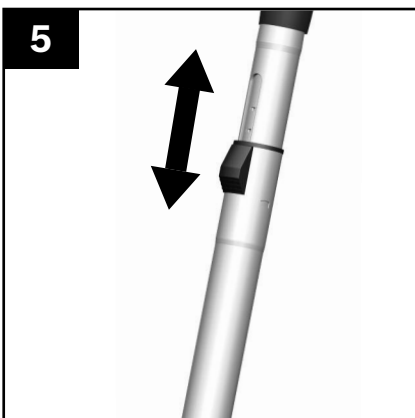


Inserting the telescopic tube into the floor nozzle

Figure 4

- Insert the telescopic tube into the connecting piece of the floor tool. To release the connection, turn the tube slightly and pull it out of the floor tool.

5



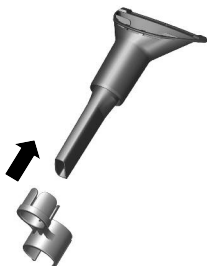
Adjusting the telescopic tube

Figure 5

- Move the adjusting sleeve button in the direction of the arrow to unlock the telescopic tube and adjust it to the length required.

Initial use

6

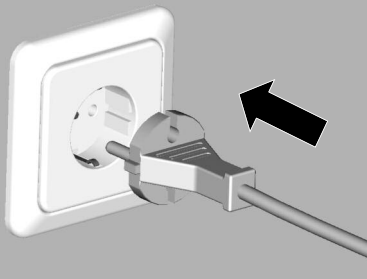


Attaching the accessories holder

Figure 6

- Attach the accessories holder to the multi-purpose nozzle and clip it onto the suction pipe/telescopic tube.

7

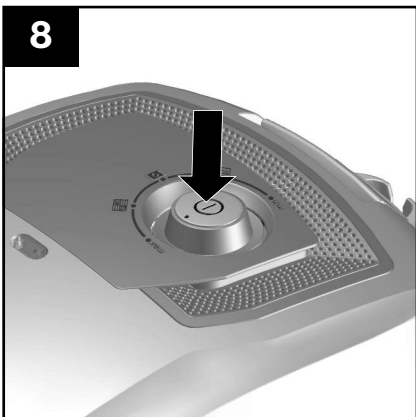


Connecting the appliance

Figure 7

- Holding the power cord by the plug, pull out to the required length and insert the plug into the mains socket.

8



Switching on and off

Figure 8

- Press the ON/OFF button in the direction of the arrow to switch your vacuum cleaner on.




9



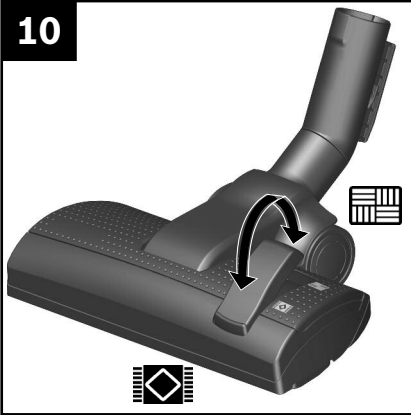
Controlling the suction level

Figure 9

Turn the control knob to infinitely adjust the suction level to the level required.



- Low power range => 
For vacuuming delicate materials, e.g. delicate upholstery, curtains, etc.
- Medium power range => 
For daily vacuuming of lightly soiled floors.
- High power range => 
For vacuuming durable floor coverings, hard floors and heavily soiled surfaces.

10



Set the adjustable floor nozzle

Figure 10

- Rugs and carpets => 
- Hard floors/parquet => 

If you are vacuuming up large particles, make sure that you vacuum them up successively and carefully to ensure that the vacuum channel of the floor nozzle does not become blocked.

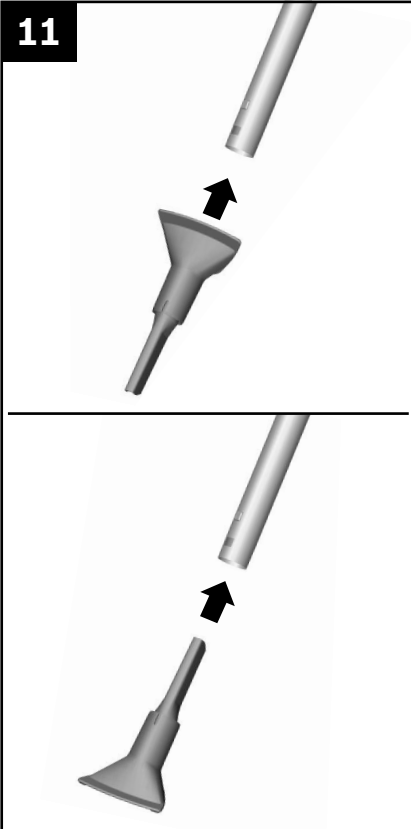
If necessary, you should raise the nozzle in order to better vacuum up the dirt particles.

! Caution

Floor nozzles are subject to a certain amount of wear, depending on the type of hard floors you have (e.g. rough, rustic tiles). You must therefore check the underside of the floor nozzle at regular intervals. Worn undersides of floor nozzles may have sharp edges that can damage sensitive hard floors, such as parquet or linoleum. The manufacturer does not accept any responsibility for damage caused by worn floor nozzles.

Vacuuming

11



Vacuuming with accessories

Attach the nozzles to the suction pipe or handle as required:

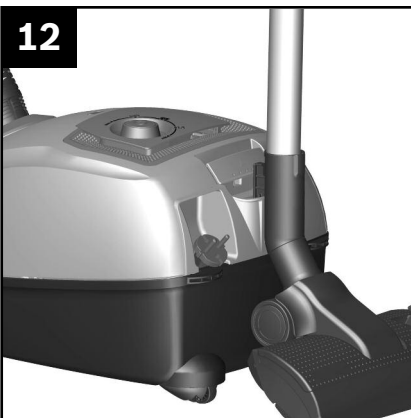
Figure 11

- Crevice nozzle for vacuuming crevices and corners, etc.
- Upholstery nozzle for vacuuming upholstered furniture, curtains, etc.

Turbo Brush

If your appliance is equipped with a turbo brush, refer to the accompanying instruction manual for instructions on its use and maintenance.

12



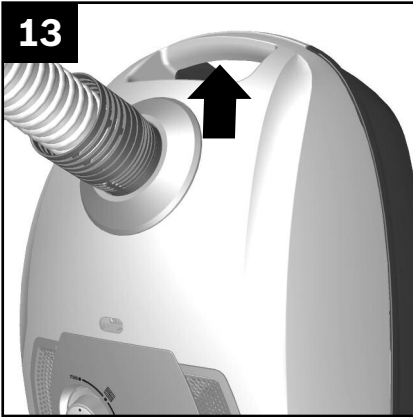
Parking aid

Figure 12

You can use the parking aid on the back of the vacuum cleaner if you want to stop vacuuming for a short time.

- Once you have switched off the appliance, slide the hook on the floor tool into the recess on the rear of the appliance.

Vacuuming

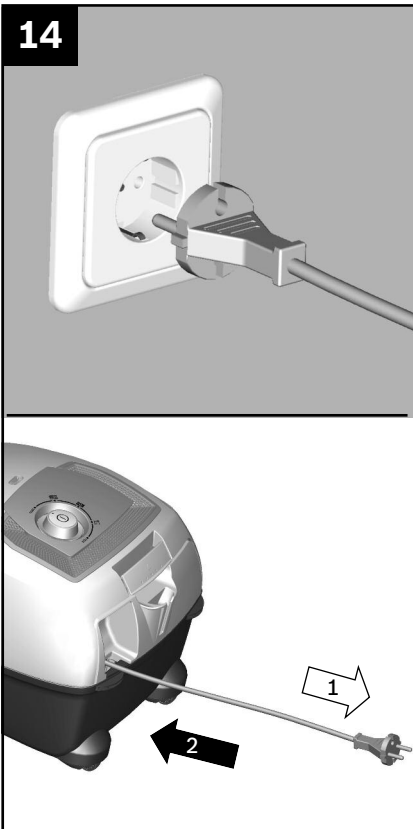


Carrying the appliance

Figure 13

To overcome obstacles, e.g. steps, the appliance can also be carried by the handle on the appliance body.

When the work is done

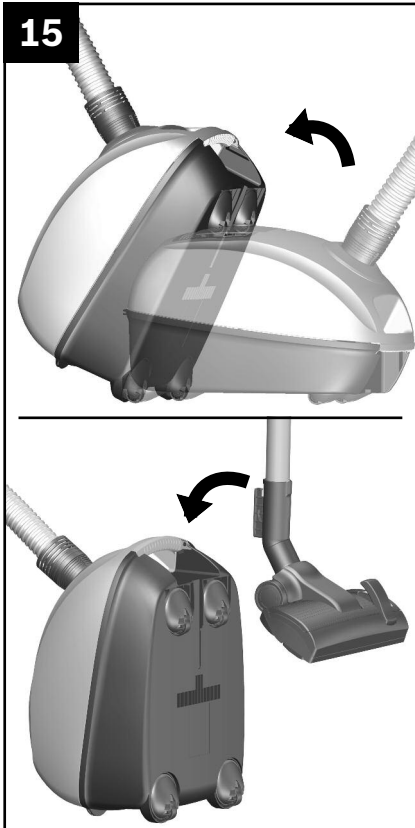


Disconnecting the appliance

Figure 14

- Pull out the mains plug.
- Briefly pull on the power cord and then release it (the power cord retracts automatically).

When the work is done



Storing and transporting

Figure 15

To store/transport the appliance, you can use the storage aid on the underside of the appliance.

- Stand the appliance upright on its end.
- Slide the hook on the floor tool into the recess on the underside of the appliance.

Changing the filter



Replacing the dust bag

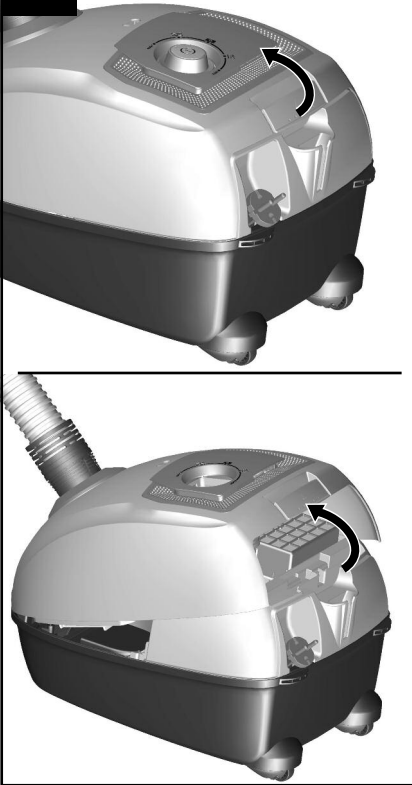
- ! **Please note:** Always switch off
- the appliance before changing the filter.

Figure 16

- If the dust bag change indicator in the lid is filled completely yellow when the floor tool is lifted from the floor with the highest power setting selected, the dust bag must be changed, even though it may not yet be full. Even if the dust bag is not full, it may still need changing, due to the type of dust which has been vacuumed.
- First check that the nozzle, suction pipe and flexible hose are not blocked, as this would also lead to the dust bag change indicator being triggered.

Changing the filter

17



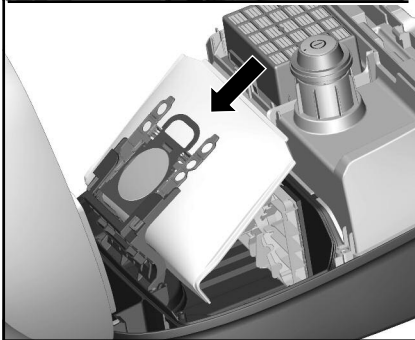
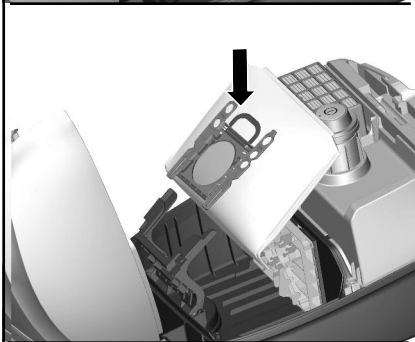
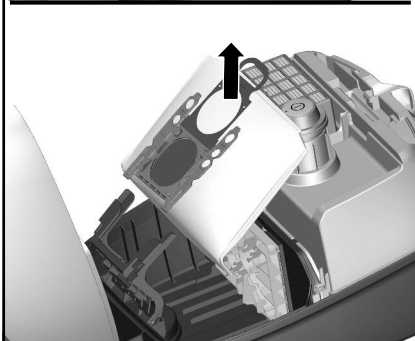
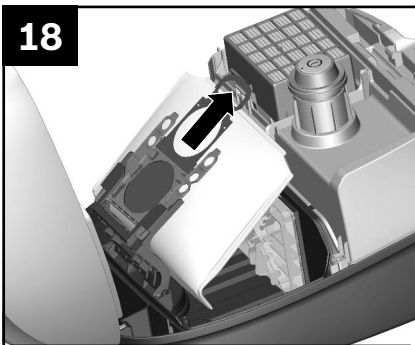
Opening the lid

Figure 17

- Unlock the lid by pulling on the locking lever in the direction of the arrow.
- Open the lid in the direction of the arrow.

Changing the filter

18



Changing the dust bag

Figure 18

- Close the dust bag by pulling on the locking tab.

- Take out the dust bag.

- Insert a new dust bag.

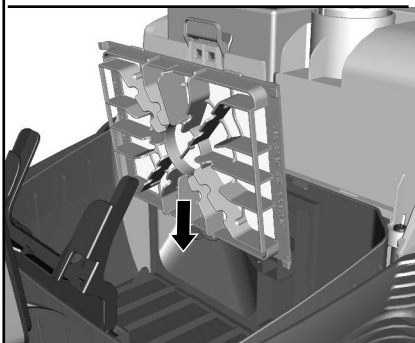
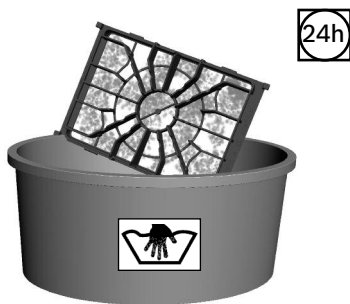
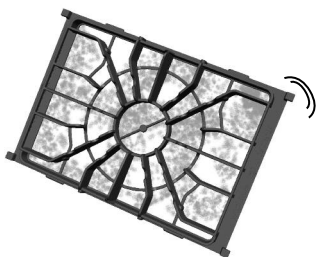
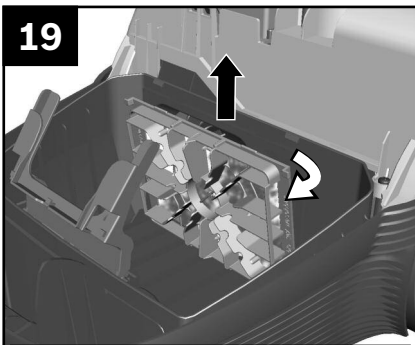
- Push the dust bag fully into the holder.

!Please note:

the lid will only close if a dust bag has been inserted.

Changing the filter

19



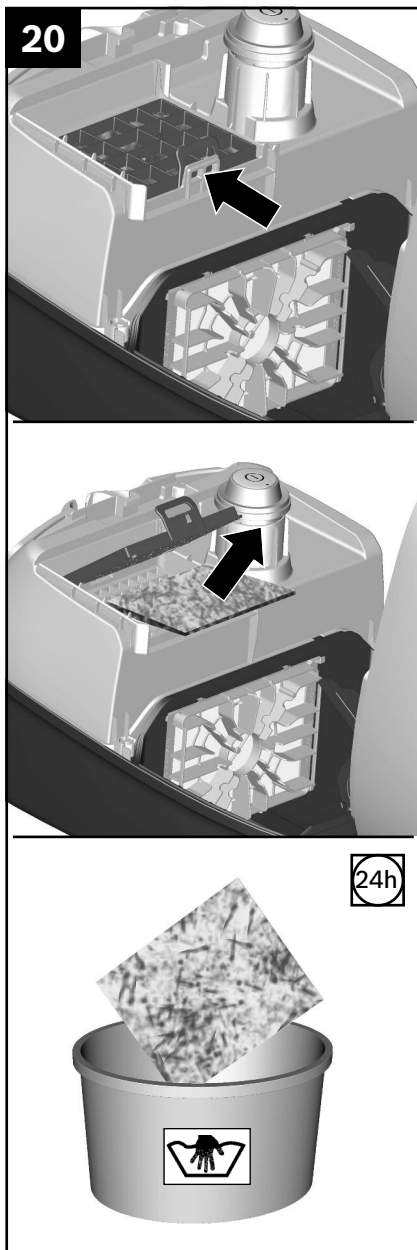
Cleaning the motor protection filter

The motor protection filter should be cleaned regularly by knocking out the dirt and rinsing.

Figure 19

- Open the dust bag compartment lid. **Figure 17**
- Release the motor protection filter from the catch by pulling it sideways, and pull it out in the direction of the arrow.
- Clean the motor protection filter by tapping out the dirt.
- If it is very dirty, the motor protection filter should be rinsed.
- The filter must then be left to dry for at least 24 hours.
- After cleaning, refit the motor protection filter into the appliance, lock it in place and close the dust bag compartment lid.

Changing the filter



Replacing the exhaust filter

Vacuum cleaner with micro-hygiene filter

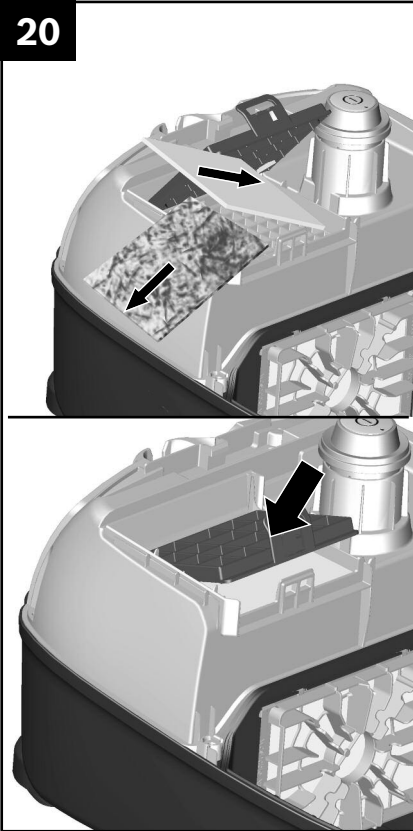
This should be replaced with every replacement filter pack

Figure 20

- Open the dust bag compartment lid. **Figure 17**
- Release the filter holder by moving the locking lever in the direction of the arrow.
- Remove the micro-hygiene filter.
- The micro-hygiene filter can be rinsed out.
- The filter must then be left to dry for at least 24 hours.

Changing the filter

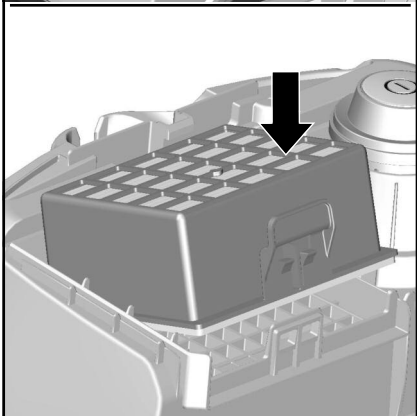
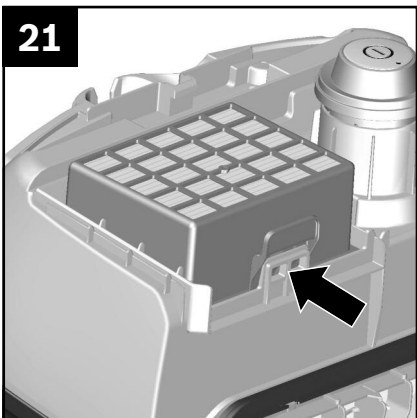
20



- Remove the micro-hygiene filter. Insert the new micro-hygiene filter into the appliance.
- Insert the filter holder into the appliance and lock it in place.

Exhaust filter care

21



Vacuum cleaner with HEPA filter

If your vacuum cleaner is equipped with a HEPA filter, this must be replaced once a year.

Figure 21

- Open the dust bag compartment lid. **Figure 17**
- Unlock the HEPA filter by moving the locking lever in the direction of the arrow and remove the filter from the appliance.
- Insert the new HEPA filter and lock it in place.

After vacuuming fine dust particles, clean the motor protection filter and, if necessary, replace the microhygiene filter or HEPA filter.

Cleaning instructions

Always switch off the vacuum cleaner and disconnect the power cord from the mains before cleaning the vacuum cleaner. The vacuum cleaner and plastic accessories can be cleaned with an ordinary plastic cleaner.



Caution: do not use a scourer, glass-cleaning agent or multipurpose cleaning product. Never immerse the vacuum cleaner in water.

Subject to technical modifications.

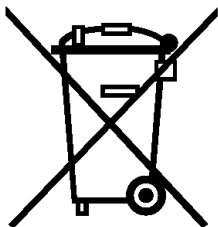
Notes on the energy label

This vacuum cleaner is a general purpose vacuum cleaner. To achieve the declared energy efficiency and cleaning performance class on carpet and hard floor, please use the interchangeable universal nozzle.

These calculations are based on the delegated regulation (EU) no. 665/2013 established by the commission on 3rd May 2013 as a supplement to Directive 2010/30/EU.

All of the procedures in these instructions that are not described in more precise detail were listed based on DIN EN 60312-1:2014.

Disposal



"This appliance is labelled in accordance with European Directive 2012/19/EU concerning used electrical and electronic appliances (waste electrical and electronic equipment - WEEE). The guideline determines the framework for the return and recycling of used appliances as applicable throughout the EU."

Disposal information

■ Packaging

The packaging is designed to protect the vacuum cleaner from being damaged during transportation. It is made of environmentally friendly materials and can therefore be recycled.

Dispose of packaging that is no longer required at an appropriate recycling point.

■ Old appliances

Old appliances still contain many valuable materials. Therefore, please take appliances that have reached the end of their service to your retailer or recycling centre so that they can be recycled.

For current disposal methods, please enquire at a retailer or your local council.

■ Disposal of filters and dust bags

Filters and dust bags are manufactured from environmentally friendly materials. Provided they do not contain substances that are not permitted in household waste, you can dispose of them with your normal household waste.

Customer service

GB Great Britain
BSH Home Appliances Ltd.
Grand Union House
Old Wolverton Road
Wolverton
Milton Keynes MK12 5PT

To arrange an engineer visit, to order spare parts and accessories
or for product advice please visit:

www.bosch-home.co.uk

or call

Tel.: 0344 892 8979*

*Calls are charged at the basic rate, please check with your telephone service
provider for exact charges.

Conditions of guarantee

For this appliance the guarantee conditions as set out by our representatives in the country of sale apply. Details regarding same may be obtained from the dealer from whom the appliance was purchased. For claims under guarantee the sales receipt must be produced.

Robert Bosch Hausgeräte GmbH

Carl-Wery-Str. 34

81739 München

Germany

www.bosch-home.com



8001011459