



BGS5



BOSCH

en Operating instructions

Table of content

| | |
|---|-----------|
| Safety information | 4 |
| Intended use | 4 |
| Safety information | 5 |
| Proper use | 5 |
| Your vacuum cleaner | 8 |
| Replacement parts and special accessories | 10 |
| Initial use | 11 |
| Connecting the flexible hose | 11 |
| Putting the handle and the telescopic tube together | 11 |
| Inserting the telescopic tube into the floor tool | 12 |
| Adjusting the telescopic tube | 12 |
| Placing the accessories holder | 12 |
| Connecting the appliance | 13 |
| Switch on /off | 13 |
| Controlling the suction level | 13 |
| Vacuuming | 14 |
| Set the adjustable floor tool | 14 |
| Vacuuming with accessories | 15 |
| Parking aid | 16 |
| Vacuuming stairs | 16 |
| When your work is finished | 16 |
| Disconnecting the appliance | 16 |
| Sliding the telescopic tube | 17 |
| Storing and transporting | 17 |
| Emptying the dust container | 18 |
| Dust bag change indicator | 18 |
| Removing the dust container | 19 |
| Taking out the filter unit | 20 |

Table of content

| | |
|--|------------|
| Inserting the filter unit and the dust container | .21 |
| Filter care | .22 |
| Cleaning the plate filter | .22 |
| „SelfClean“-function | .22 |
| Activating the „SelfClean“-function | .23 |
| Washing off the plate filter | .24 |
| Cleaning the fluff filter | .25 |
| Replacing the HEPA-filter | .26 |
| Cleaning instructions | .28 |
| Notes on the energy label | .28 |
| Disposal | .29 |
| Customer service | .30 |
| Conditions of guarantee | .31 |

Safety information

Please keep this instruction manual. When passing the vacuum cleaner on to a third party, please also pass on this instruction manual.

Intended use

This vacuum cleaner is intended for domestic use and not for commercial use. Only use this vacuum cleaner in accordance with the instructions in this instruction manual. The manufacturer will not accept any responsibility for damage caused by improper use or incorrect operation.

Therefore, please note the following points.

The vacuum cleaner must only be operated with:

- Original replacement parts, accessories or special accessories

In order to prevent injuries and damage, the vacuum cleaner must not be used for:

- Vacuum-cleaning persons or animals
- Vacuuming up:
 - insects or spiders.
 - hazardous, sharp-edged, hot or glowing substances.
 - damp or liquid substances.
 - highly flammable or explosive substances and gases.
 - ash, soot from tiled stoves and central heating systems.
 - toner dust from printers and copiers.

Safety information

Safety information

This vacuum cleaner complies with the recognised rules of technology and the relevant safety regulations.

- The appliance may be used by children over the age of 8 years and by persons with reduced physical, sensory or mental capacity or by persons with a lack of experience or knowledge if they are supervised or have been instructed on the safe use of the appliance and they have understood the potential dangers of using the appliance.
- Children must never play with the appliance.
- Cleaning and user maintenance must never be carried out by children without supervision.
- Plastic bags and films must be kept out of the reach of children before disposal. => Risk of suffocation.

Proper use

- Only connect and use the vacuum cleaner in accordance with the specifications on the rating plate.
- Never vacuum without the dust bag or dust container, motor protection or exhaust filter.
=> This may damage the vacuum cleaner.
- Always keep the vacuum cleaner away from your head when using nozzles and tubes.
=> This could cause injury!
- When vacuuming stairs, the appliance must always be positioned below the user.
- Do not use the power cord or the hose to carry or transport the vacuum cleaner.
- For safety reasons, if this appliance's mains power cable becomes damaged, it must be replaced by the manufacturer, their after-sales service department or a similarly qualified person.

Safety information

- If using the appliance for longer than 30 minutes, pull out the power cord completely.
- When disconnecting the appliance from the mains, pull on the plug itself to remove it; do not pull on the power cord.
- Do not pull the power cord over sharp edges or allow it to become trapped.
- When the cable is being automatically rewound, ensure that the mains plug is not thrown towards persons, body parts, animals or objects.
=> Use the mains plug to guide the power cord.
- Pull out the mains plug before carrying out any work on the vacuum cleaner.
- Do not operate the vacuum cleaner if it is damaged. Unplug the appliance from the mains if a fault is detected.
- For safety reasons, only authorised after-sales service personnel are permitted to carry out repairs and fit replacement parts to the vacuum cleaner.
- Protect the vacuum cleaner from the weather, moisture and sources of heat.
- Do not pour flammable substances or substances containing alcohol onto the filters (dust bag, motor protection filter, exhaust filter, etc.).
- The vacuum cleaner is not suitable for use on construction sites.
=> Vacuuming up building rubble could damage the appliance.
- When not in use, switch off the appliance and pull out the mains plug.
- At the end of its life, the appliance should immediately be rendered unusable, then disposed of in an appropriate manner.

Safety information

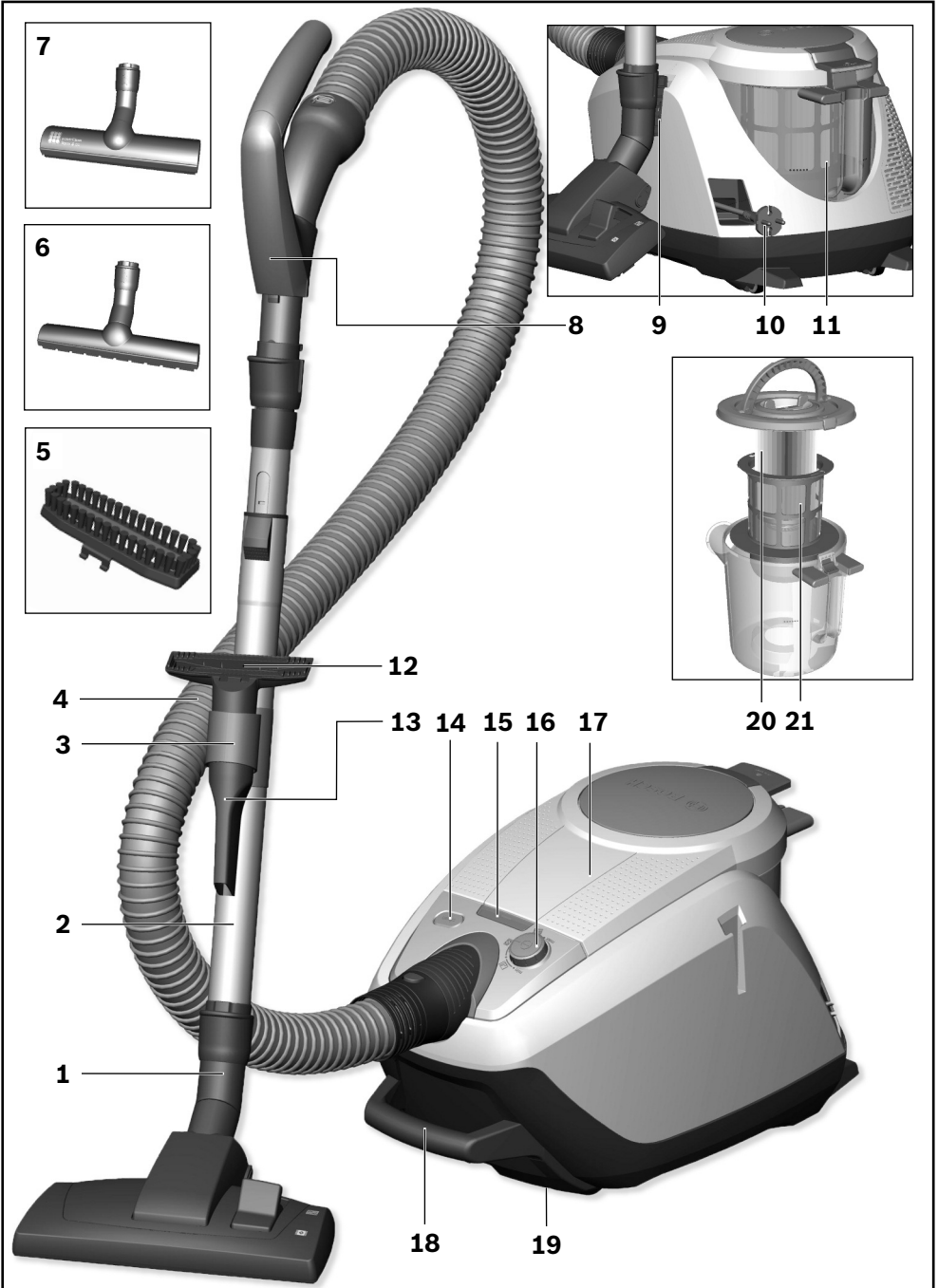
! Please note

The mains socket must be protected by at least a 16 amp circuit breaker.

If a circuit breaker is tripped when you switch on the vacuum cleaner, this may be because other electrical appliances which have a high current draw are connected to the same power circuit.

To prevent the circuit breaker from tripping, select the lowest power setting before switching the appliance on, and increase the power only once it is running.

Your vacuum cleaner

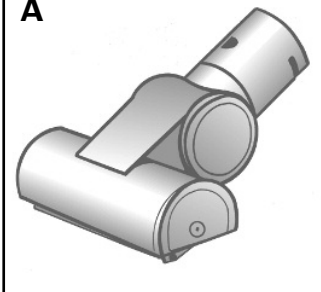


Your vacuum cleaner

- ① Adjustable floor tool with accessory connection
- ② Telescopic tube with sliding switch and accessory connection
- ③ Accessories holder
- ④ Flexible hose
- ⑤ Brush ring (to fit on the upholstery nozzle)
- ⑥ Floor tool for delicate hard floors, e.g. parquet
- ⑦ "powerClean Stone & Co" floor tool for hard floors with joints and gaps, e.g. tiles and floorboards
- ⑧ Handle
- ⑨ Parking aid on the side of the appliance
- ⑩ Power cord
- ⑪ Dust container
- ⑫ Upholstery nozzle
- ⑬ Crevice nozzle
- ⑭ "Clean" filter cleaning button
- ⑮ "Sensor Control" indicator
- ⑯ On/Off button with electronic suction regulator
- ⑰ Appliance lid
- ⑱ Carrying handle
- ⑲ Storage aid on the underside of the appliance
- ⑳ Plate filter
- ㉑ Fluff filter

Replacement parts and special accessories

A

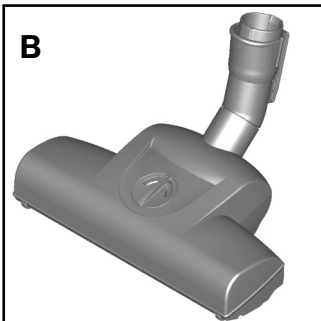


A TURBO-UNIVERSAL® tool for upholstery BBZ42TB

All-in-one brushing and vacuuming of upholstered furniture, mattresses, car seats, etc. Especially suitable for picking up pet hair. The brush roller is driven by the suction air flow through the vacuum cleaner.

No separate electrical connection is needed.

B



B TURBO-UNIVERSAL® tool for floors

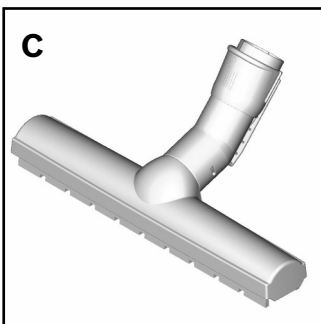
BBZ102TBB

All-in-one brushing and vacuuming of rugs and carpets as well as all hard floor coverings.

Especially suitable for picking up pet hair. The brush roller is driven by the suction air flow of the vacuum cleaner.

No separate electric connection is needed.

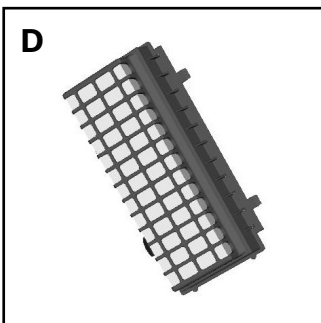
C



C Hard-floor tool BBZ123HD

For vacuuming hard floors (parquet, tiles, terracotta, etc.)

D

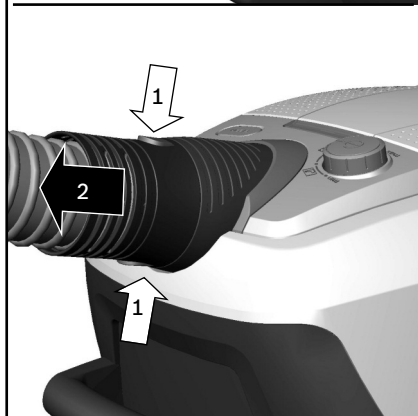
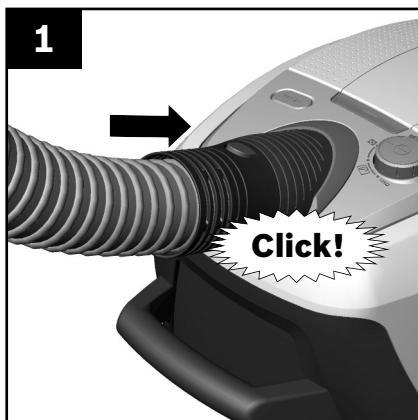


D HEPA-filter

Replacement part no.: 573928

Protects the motor in your vacuum cleaner and thus increases its service life. Replace once a year.

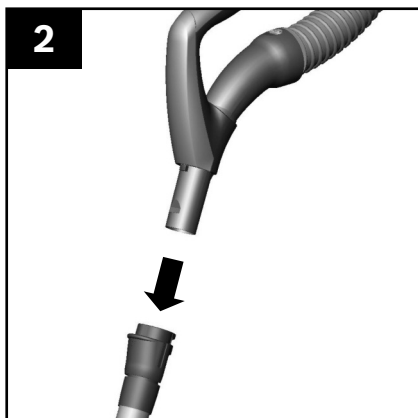
Initial use



Connecting the flexible hose

Figure 1

- Push the flexible tube adapter into the air intake opening on the appliance and lock it in place. You will hear an audible 'click'.
- To remove the flexible hose, press the two catches together and pull out the hose.

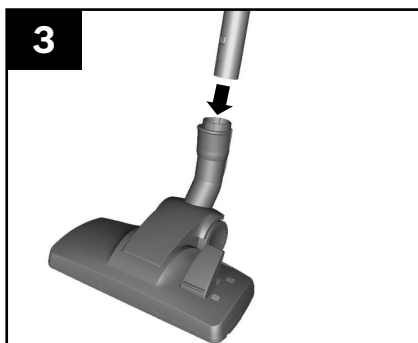


Putting the handle and the telescopic tube together

Figure 2

- Push the handle into the telescopic tube until it locks into place.

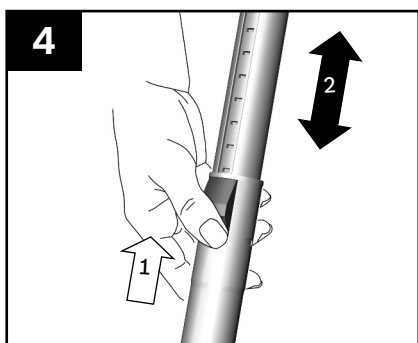
Initial use



Inserting the telescopic tube into the floor tool

Figure 3

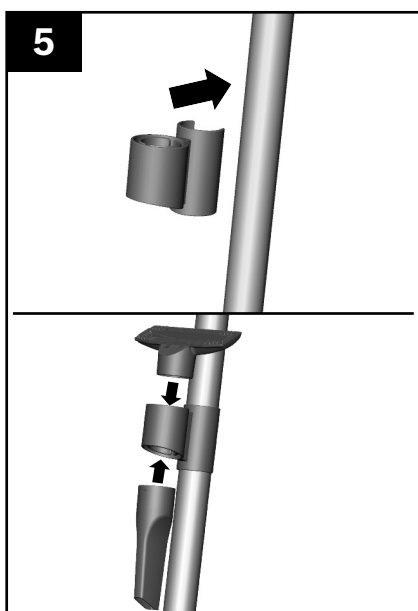
- Push the telescopic tube into the connecting piece of the floor tool until it locks in place. To release the connection, press on the locking collar and pull out the telescopic tube.



Adjusting the telescopic tube

Figure 4

- Unlock the telescopic tube by moving the sliding switch in the direction of the arrow and adjust to the desired length. The slide resistance on carpet is at its lowest when the telescopic tube has been completely pulled out.

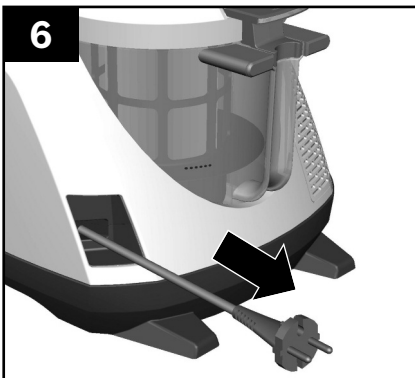


Placing the accessories holder

Figure 5

- Place the accessories holder in the required position on the telescopic tube.
- Use some pressure to insert the upholstery nozzle and the crevice nozzle into the accessories holder from above or below.

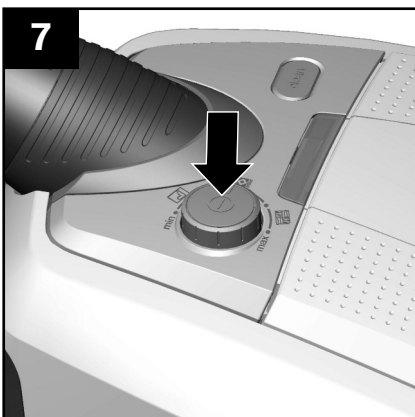
Initial use



Connecting the appliance

Figure 6

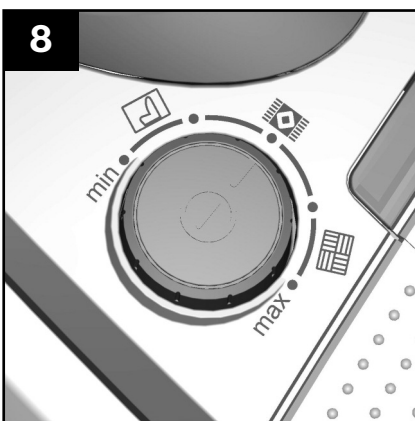
- Holding the power cord by the plug, pull out to the required length and insert the plug into the mains socket.



Switch on /off

Figure 7







- To switch the vacuum cleaner on or off, press the ON/OFF button.



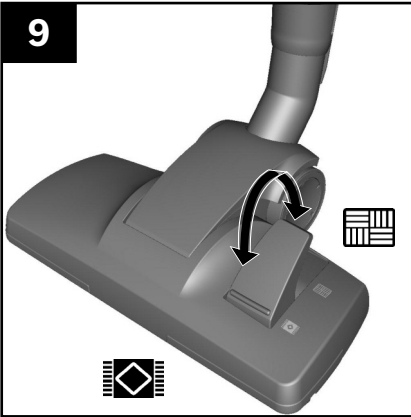
Controlling the suction level

Figure 8

The required suction level can be set to any level by turning the control knob.



- Low power range  => 
For vacuuming delicate materials, such as delicate upholstery, curtains, etc.
- Medium power range  => 
For daily vacuuming of floors which are only slightly dirty.
- High power range  => 
For vacuuming durable floor coverings, hard floors and heavy deposits of dirt.

9



Set the adjustable floor tool

Figure 9

- Rugs and carpets => 
- Hard floors/parquet => 

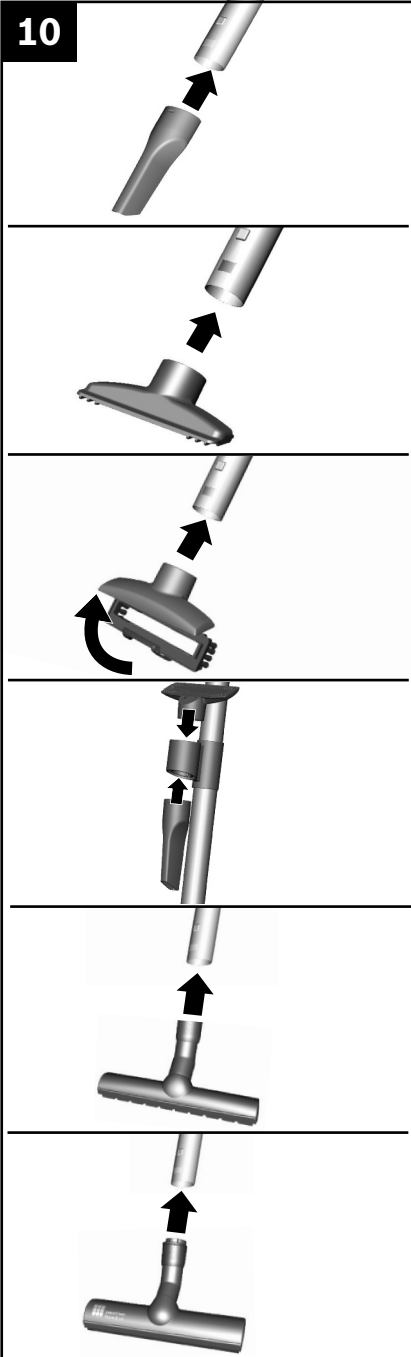
If you are vacuuming up larger particles, make sure that you vacuum them up successively and carefully to ensure that the vacuum channels of the floor tool do not become blocked.

If necessary, you should raise the nozzle in order to better vacuum up the dirt particles.

!Caution

Floor tools are subject to a certain amount of wear, depending on the type of hard floors you have (e.g. rough, rustic tiles). Therefore, you must check the underside of the floor tool at regular intervals. Worn undersides of floor tools may have sharp edges that can damage sensitive hard floors, such as parquet or linoleum. The manufacturer does not accept any responsibility for damage caused by worn floor tools.

10



Vacuuming with accessories

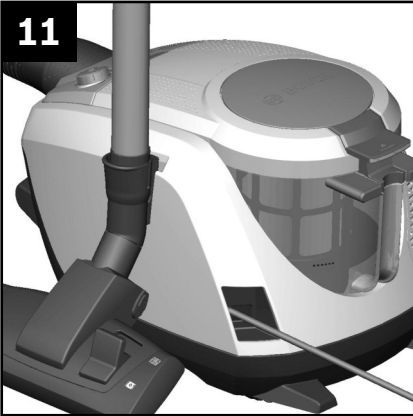
Attach the nozzles to the suction pipe or hand grip as required:

Figure 10

- Crevice nozzle for vacuuming crevices and corners, etc.
- Upholstery nozzle for vacuuming upholstered furniture, curtains, etc.
- Upholstery nozzle with fixed brush ring for vacuuming window frames, cupboards, profiles, etc.
- After use, reinsert the crevice nozzle and upholstery nozzle into the accessories holder.
- Floor tool for delicate hard floors, e.g. parquet
- "powerClean Stone & Co" floor tool for hard floors with joints and gaps, e.g. tiles and floorboards

Vacuuming

11



Parking aid

Figure 11

You can use the parking aid on the side of the vacuum cleaner if you wish to stop vacuuming for a short time.

- After switching off the appliance, slide the hook on the floor tool into the parking aid.

12



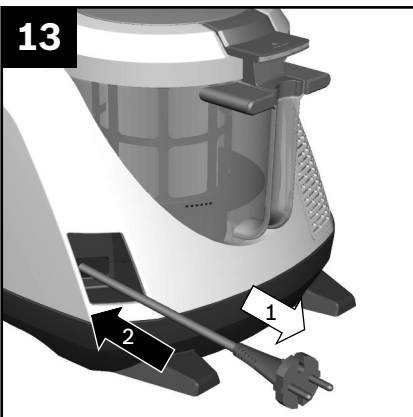
Vacuuming stairs

Figure 12

When vacuuming stairs, the appliance must be positioned at the bottom of the stairs. If it does not reach far enough, the appliance can also be carried using the carrying handle.

When your work is finished

13

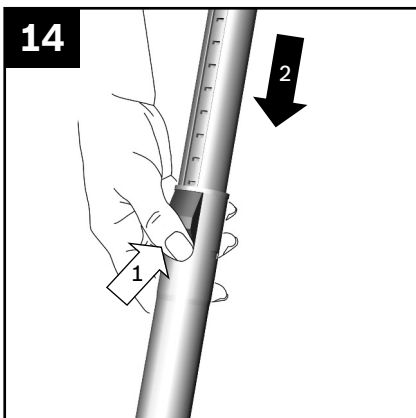


Disconnecting the appliance

Figure 13

- Switch off the appliance.
- Pull out the mains plug.
- Briefly pull the power cord and release. (The power cord retracts automatically).

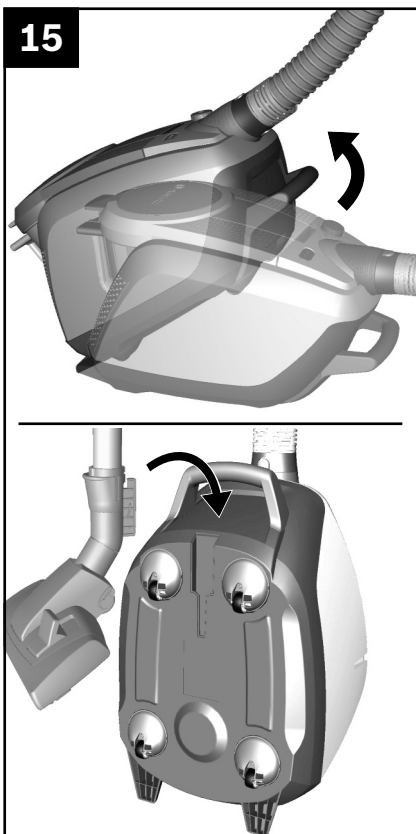
When your work is finished



Sliding the telescopic tube

Figure 14

- Unlock the telescopic tube by moving the sliding switch in the direction of the arrow and slide one tube into the other.



Storing and transporting

Figure 15

To store the appliance, use the storage aid on the underside.

- Stand the appliance up by the handle.
- Slide the hook on the floor tool into the storage aid.

When your work is finished

16



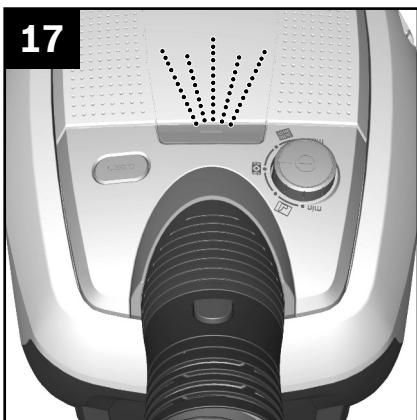
Emptying the dust container

Figure 16

In order to achieve good vacuuming results, the dust container should be emptied after every use or, at the latest, when dust or dirt has visibly collected on the fluff filter or when dust at one point in the container has reached the height of the marking.

When emptying the dust container, always check how dirty the fluff filter is and, if necessary, clean it as detailed in the "Cleaning the fluff filter" instructions. **Figure 25**

17



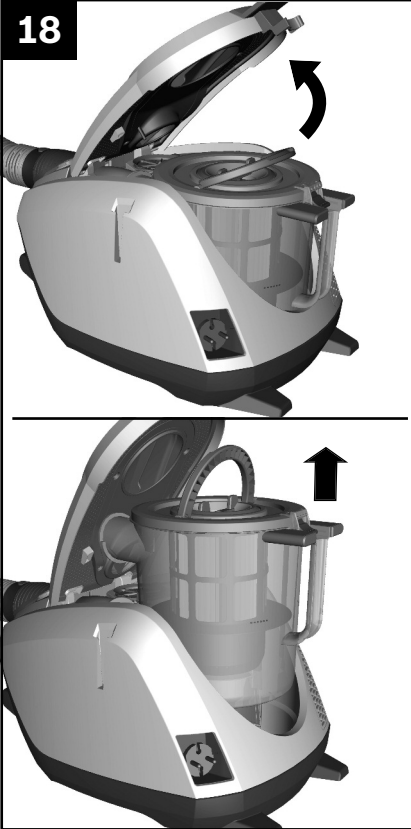
Dust bag change indicator

Figure 17

The dust container must be emptied at the latest by the time the dust bag change indicator lights up permanently in red and the appliance automatically switches itself to the lowest power setting.

When your work is finished

18



Removing the dust container

Figure 18

- Open the appliance lid by pulling the locking tab.
- Use the handle to remove the dust container from the appliance.

When your work is finished

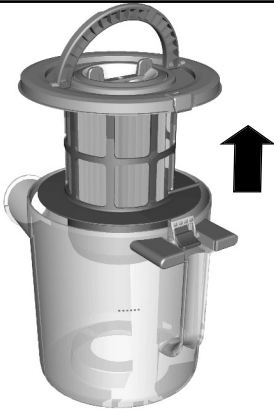
19



Taking out the filter unit

Figure 19

- Release the filter unit of the dust container by pressing the release button.



- Take the filter unit out of the dust container and empty the dust container.

When your work is finished

20



Inserting the filter unit and the dust container

Figure 20

- Insert the filter unit into the dust container, making sure it is correctly seated. The arrow on the filter cover must point in the direction of the locking tab.
- Press on the container lid until you hear it click into place.
- When reinserting the dust container into the appliance, make sure it is correctly seated. Close the appliance lid until the locking tab clicks into place again.

!Caution

If you notice any resistance when closing the lid, check that the filter is complete and that the filter and dust container are correctly seated.

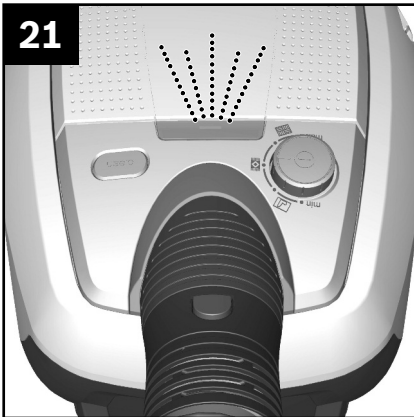
Cleaning the plate filter

This function constantly monitors whether your vacuum cleaner is reaching its optimum power level. The indicator light lets you know when you need to clean the plate filter, so that the vacuum cleaner can reach its optimum power level once more.

„SelfClean“-function

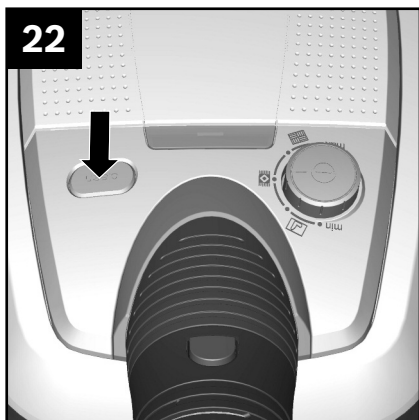
Figure 21

The indicator lights up blue when the appliance is working at its optimum level. Once the indicator turns red and flashes, the appliance switches off automatically. Filter cleaning is activated and performed by the integrated cleaning motor.



If the appliance cleans three times in quick succession, this is probably due to a dirty fluff filter or a blockage. In this case, the appliance automatically adjusts to the lowest power setting and the indicator lights up red.

- Switch the appliance off, empty the dust container and clean the fluff filter according to the instructions in "Cleaning the fluff filter". **Figure 24**



Activating the "SelfClean"-function

Figure 22

If required, you can also activate the cleaning procedure manually by pressing the "Clean" filter cleaning button when the appliance is switched on.

If suction power is reducing, you can also clean the filter even if the indicator has not lit up. We recommend that you clean the plate filter each time before emptying the dust container.

23



Washing off the plate filter

Figure 23

If the plate filter is particularly dirty, the dirt can also be washed off.

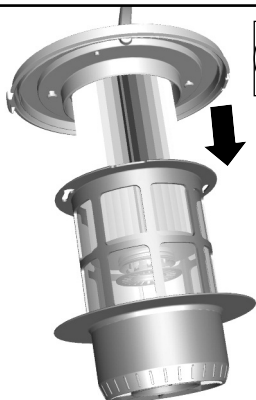
- Turn the bottom part of the filter unit anticlockwise as far as it will go. Take the plate filter out of the filter unit.
- Wash the plate filter under running water.
- When it has dried completely, insert the plate filter into the filter unit and lock the bottom part by turning it clockwise.

Under normal circumstances, and when vacuuming normal household dust, the plate filter does not need to be removed or cleaned manually in order to achieve the vacuum cleaner's optimum power level.

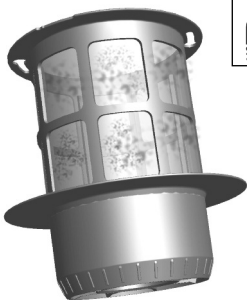
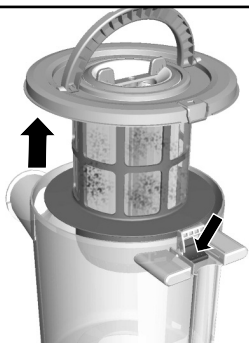
! Caution: do not brush the plate filter.

- For simple cleaning without water, simply tap the filter around the edge of the cap.
- For more thorough cleaning, rinse the filter from the outside with water, and allow it to dry completely before using it in the vacuum cleaner again.

24h



24

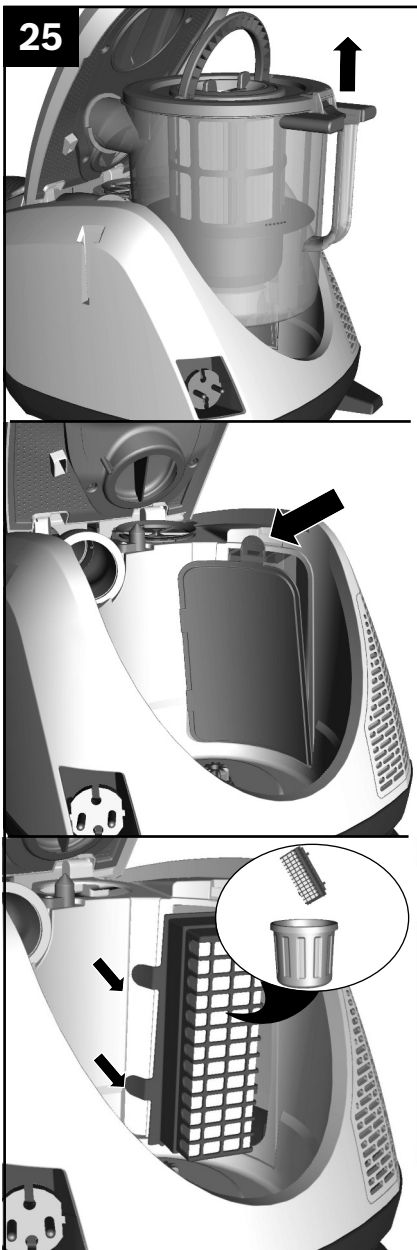


Cleaning the fluff filter

The fluff filter should be cleaned at regular intervals in order to ensure optimum operation of the vacuum cleaner.

Figure 24

- Open the appliance lid and remove the dust container from the appliance. **Figure 18**
- Take the filter unit out of the dust container.
- Clean the fluff filter.
- It is usually sufficient to lightly shake or tap out the filter housing when the dust container is emptied to dislodge any particles of dirt.
- If this is not sufficient, you can use a dry cloth to remove dirt particles from the surface.
- If you want to wash the fluff filter, you must first remove the plate filter from the filter unit. The plate filter must only be reinserted into the filter unit after the fluff filter has completely dried.



Replacing the HEPA-filter

You can order a new filter from our after-sales service using the following replacement part number: 573928

Figure 25

- Open the appliance lid and remove the dust container.

Figure 18

- Use the locking tab to open the side flap.

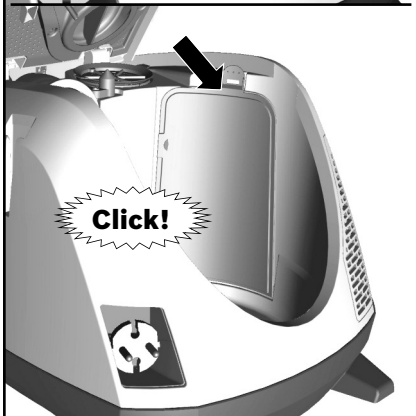
- Pull the two locking tabs to unlock the filter unit with HEPA filter and remove it from the appliance.

Filter care

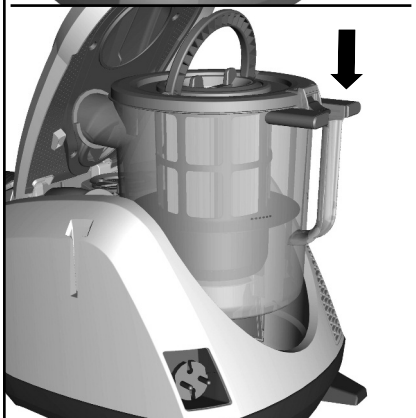
25



- Reinsert the filter unit into the appliance and ensure that it audibly clicks into place.



- Close the side flap until you hear the locking tab click into place again.



- Insert the dust container into the appliance and close the appliance lid.

Cleaning instructions

Always switch off the vacuum cleaner and disconnect the power cord from the mains before cleaning the vacuum cleaner. The vacuum cleaner and plastic accessories can be cleaned with an ordinary plastic cleaner.



Caution: do not use a scourer, glass-cleaning agent or multipurpose cleaning product. Never immerse the vacuum cleaner in water.

Subject to technical modifications.

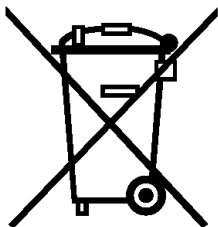
Notes on the energy label

This vacuum cleaner is a general purpose vacuum cleaner. To achieve the declared energy efficiency and cleaning performance class on carpet and hard floor, please use the interchangeable universal nozzle.

Please use the enclosed "powerClean Stone & Co" hard-floor tool to achieve the specified energy-efficiency level and cleaning class on hard floors with joints and gaps.

The values provided on the energy label have been determined according to the prescribed measuring process (in accordance with EN60312-1).

Disposal



"This appliance is labelled in accordance with European Directive 2012/19/EU concerning used electrical and electronic appliances (waste electrical and electronic equipment - WEEE). The guideline determines the framework for the return and recycling of used appliances as applicable throughout the EU."

Disposal information

■ Packaging

The packaging is designed to protect the vacuum cleaner from being damaged during transportation. It is made of environmentally friendly materials and can therefore be recycled.

Dispose of packaging that is no longer required at an appropriate recycling point.

■ Old appliances

Old appliances still contain many valuable materials. Therefore, please take appliances that have reached the end of their service to your retailer or recycling centre so that they can be recycled.

For current disposal methods, please enquire at a retailer or your local council.

■ Disposal of filters and dust bags

Filters and dust bags are manufactured from environmentally friendly materials. Provided they do not contain substances that are not permitted in household waste, you can dispose of them with your normal household waste.

Customer service

GB Great Britain
BSH Home Appliances Ltd.
Grand Union House
Old Wolverton Road
Wolverton
Milton Keynes MK12 5PT

To arrange an engineer visit, to order spare parts and accessories
or for product advice please visit:

www.bosch-home.co.uk

or call

Tel.: 0844 892 8979*

*Calls from a BT landline will be charged at up to 3 pence per minute. A call
set-up fee of up to 6 pence may apply.

Conditions of guarantee

For this appliance the guarantee conditions as set out by our representatives in the country of sale apply. Details regarding same may be obtained from the dealer from whom the appliance was purchased. For claims under guarantee the sales receipt must be produced.

Robert Bosch Hausgeräte GmbH

Carl-Wery-Str. 34

81739 München

Germany

www.bosch-home.com