

SIEMENS

Operating and Installation Instructions

使用及安装说明书

GB

CN



EXTRA WD 900
WD 9100
WD 9110

Notes on disposal

The new machine's packing

- ! Dispose of packing materials in a responsible manner.
- ! Keep packing materials out of the reach of children. Packing materials are not toys. Reprocessing and re-using materials saves raw materials and reduces waste. All packing materials used are environmentally friendly and re-usable. Cardboard boxes consist of 80% to 100% recycled paper. Plastic wrappings are of polythene (PE), the tapes are of polypropylene (PP) and the CFC-free packing is of foamed polystyrene (PS). These materials are pure hydrocarbon compounds and can be recycled.

The old machine

- ! Render the machine inoperable when it can no longer be used. Remove the plug from the socket and cut off the power cable. Prevent children at play from being locked in and risking death by suffocation. Destroy the catch on the porthole door. The old machine contains valuable materials which should be recycled. Please make your contribution to the environment by assisting with proper disposal or recycling.

Safety precautions and warnings

This machine meets all relevant safety regulations.

Before using for the first time:

- ! Please read the enclosed documents carefully before using the washing machine for the first time. They contain important information on the installation, use and safety of the machine.

- ! The manufacturer does not accept liability if these instructions are not followed.
- ! Please keep all documents in a safe place for future reference.
- ! Install the machine in accordance with the instructions (page 20 to 22). Remove the transit bolts and keep them in a safe place.
- ! In order to insure your safety, you must plug the cable into the socket which connected with the earth. And please check your socket to make sure that it is connected with reliable earth correctly.
- ! If the washing machine is visibly damaged, do not connect it up. If you are in any doubt, contact your customer service representative or dealer.

When washing and drying:

- ! Operate the machine with cold tap water only.
- ! Your washing machine is designed for domestic use only, i. e. for washing machine-washable textiles in a detergent solution and drying.
- ! Never let children play with the washing machine.
- ! Keep pets away from the washing machine.
- ! Exercise caution when pumping out hot detergent solution.
- ! In the course of drying both the machine and the laundry become hot. Do not open the door during the drying cycle.

When the programme has ended:

- ! Do not reach into the drum while it is still turning.
- ! Switch the machine OFF when the programme has ended.

To preserve the machine:

- ! Do not climb on the machine.
- ! Do not lean on the door.

When transporting:

- ! Use the transit bolts.
- ! Drain any water left in the machine.
- ! Take care when moving the machine. Do not hold the machine by any protruding parts when lifting.

Environmental protection/ notes on saving

- You can increase the economy and environmental friendliness of your machine by washing maximum loads:

Whites and coloureds	5kg
Easy-care and woollens	1.5kg
- **How to save energy:**
 - Make more use of energy-saving programmes and set a lower temperature: whites in the whites/coloured programme B at a temperature of 60 instead of 90°C or **wash easy-care laundry** in the easy-care programme H at a temperature of 40 instead of 60 °C; in each case with button e (economy) depressed. The e-button reduces the time during which the heating is switched ON.
- **How to save water, energy and detergent:**
 - do not pre-wash lightly to normally soiled laundry.
- **How to save energy and time:**
 - for lightly soiled laundry select the short programme according to the type of textile.
- **How to save detergent:**
 - measure the detergent according to water hardness, the degree of soiling and amount of laundry and follow instructions on the detergent pack.

Get to know your washing machine

Please look at figures ①, ②, and ③ on the fold-out pages in these operating instructions. The item numbers mean the following:

Fig. ①

- 1 Top cover
- 2 Detergent drawer with replaceable programme information (Fig. ④)
- 3 Control panel (printed information, symbols or text, depends on actual model)
- 4 Rating plate
- 5 Door for loading washing
- 6 Handle for opening door
- 7 Base panel
- 8 Pump—behind the base panel
- 9 Adjustable feet
- 10 SIEMENS label
- 11 Emptying hose

Fig. ②

- 12 "ON / OFF" button
- 13 Additional function buttons
(There are difference in different models)

- 14 Temperature selector
- 15 Drying time selector
- 16 Programme selector
- 17 ON indicator light

Fig. ③

- 20 Drain hose

The water inlet hose can be found on the back of the machine.

Figure ②, ③ shows how it should be connected. See also Page 21, 22

Programme, temperature and drying time selectors

The programme selector is used to select the programmes. Turn the programme selector clockwise to the desired programme, see the programme table on page 7, 8 and Fig. ②.

The temperature selector is used to set the wash temperature.

To ensure a gentle wash, the maximum temperature for easy-care programmes at 60°C and for woollens at 40°C is not exceeded even if a higher temperature is set.

If the laundry is to be dried in the machine, a drying time must be set with the drying time selector.

To do this turn the drying time selector clockwise.

If the drying selector is on 0, the drying function is switched off.

Function buttons (ON/OFF and additional functions)

Fig. ②
ON/OFF

When the button is pressed, the machine starts the selected programme. The power indicator light comes on.

Caution: for reasons of safety, the machine will not run if the door is not properly closed, even if the ON light is illuminated and the button "ON/OFF" is pressed.

During the wash cycle the door cannot be opened. In order to open the door, the machine must first be switched OFF ("ON/OFF" button). Make sure that the ON light is not illuminated. The door can be opened approximately 2 minutes after switching off the machine.

Rinse Hold

When this button is pressed, the laundry remains in the final rinse water to prevent creasing.

Economic

Press this button in order to use less energy when washing.

Spin speed (reduction)

When this button is pressed, spin speed for the whites/coloureds programme is reduced to a lower speed.

This speed is recommended for delicate fabrics.

In the easy-care and woollens programme, the machine automatically spins at the lower speed whether the button is pressed or not.

Function buttons (ON/OFF and additional functions)

Wool

Turn the programme selector to "N" (quick wash) and press this button, the washing will start according to the wool wash programme. In the programmes for textile and normal, the washing machine will work normally no matter if the button is pressed.

Saving tip:

If you intend drying your laundry in the machine, select the higher spin speed because the more that water is spun out of the laundry, the less time and energy is required to dry it.

Special function

Supersilent

Make the noise of washing and spinning to a lowest limit, provide you quieter living-space.

Quick wash

For the smaller quantity, light dirt, especially for the clothes in summer, select this function to acquire the faster washing speed and save water and electricity.

(Functions depend on models)

Programme table (WD 9100 , EXTRA WD 900)

Always follow the manufacturer's care label instructions			Max. amount of laundry	Temperature selector in °C	Detergents and fabric softeners			Additional functions			Programme duration in minutes (approx. times)
					Compartment I	Compartment II	Compartment	Rinse hold	Economic	Spin speed *	
Programme											
Programmes for cottons or linens Whites/coloureds	with pre-wash	A	5kg	30-90	•	•	○	○	○	○	120
	normal	B	5kg	60-90		•	○	○	○	○	105
	light	C	5kg	40-60		•	○	○	○	○	80
	short	D	5kg	30-40		•	○	○		○	60
	extra rinse	E	5kg					○		○	50
	Extra spin	F	5kg							○	6
DRY normal heat setting		G	2kg								max 120
Programmes for easy-care fabrics Easy-care	Normal	H	1.5kg	40-60		•	○	○	○		60
	light	K	1.5kg	30-40		•	○	○			55
	delicate spin	L	1.5kg								3
DRY low heat setting		M	1.5kg								max 120
Programmes for Woollens and net curtains Woollens	woollens	N	1.5kg	1-40		•	○	○			30
	net curtains	N	15-25 m ²	1-40		•	○	○			30
	short spin	S	1.5kg								3
pump out		P									3

• = obligatory ○ = optional

* Spin speed depends on models

Programme table (WD 9110)

Always follow the manufacturer's care label instructions			Max. amount of laundry	Temperature selector in °C	Detergents and fabric softeners			Additional functions			Programme duration in minutes (approx. times)
					Compartment I	Compartment II	Compartment	wool	Rinse hold	Spin speed	
Programme											
Programmes for cottons or linens Whites/coloureds	with pre-wash	A	5kg	30-90	•	•	○		○	○	120
	normal	B	5kg	60-90		•	○		○	○	105
	light	C	5kg	40-60		•	○		○	○	80
	short	D	5kg	30-40		•	○		○	○	60
	extra rinse	E	5kg						○	○	50
	Extra spin	F	5kg							○	6
DRY normal heat setting		G	2kg								max 120
Programmes for easy-care fabrics Easy-care	Normal	H	1.5kg	40-60		•	○		○		60
	light	K	1.5kg	30-40		•	○		○		55
	delicate spin	L	1.5kg								3
DRY low heat setting		M	1.5kg								max 120
Quick wash Programmes for Quickwash or woollen	quick	N	1.5kg	1-60		•	○		○		30
	wool	N	1.5kg	1-40		•	○	•	○		30
	short spin	S	1.5kg								3
pump out		P									3

• = obligatory ○ = optional

Programme table: drying

Whites/coloureds (cotton, linen)					
Dry weight in kg	0.5	1.0	1.5	2.0	
	Drying time selector				Programme selector
Cupboard dry	60-70	70-80	80-90	90-100	G
Iron dry	50-60	60-70	70-80	80-90	

Whites/coloureds (cotton, linen)					
Dry weight in kg	0.5	1.0	1.5		
	Drying time selector				Programme selector
Easy-care	35-40	45-50	55-60		M
Acrylics		30	30-35		

Times are approximate and refer to standard loads.

The maximum selectable drying time is 120 minutes.

Detergents and fabric – care additives

Fig. 10 11

You can use any standard powder or liquid detergents which is suitable for automatic washing machines.

- ! Never use non-automatic detergents as these produce too much foam.
- ! Never use solvent-based cleaning agents in fully automatic washing machines. Explosion hazard.
- ! Do not use any detergent boosters containing solvents or dirt and stain removing sprays near the machine as these could damage the machine.
- ! Always store detergents and other garment care products out of children's reach.

Amount of detergent

Only correct detergent measuring produces good wash results. Follow instructions on the detergent pack.

When using liquid detergents, first take the green insert from the back section of the detergent drawer, put it in the front section (Fig. 11) and then add the liquid detergent. The scale on the insert will help you to measure the detergent correctly. Never fill beyond the MAX mark in the detergent dispenser. You can also use the measuring aids provided with the detergents, such as dosage balls or bags.

The amount of detergent depends on:

- water hardness
- degree of soiling
- size of the load
- measuring instructions from the detergent manufacturer.

Insufficient detergent will not be noticed until the laundry has been washed repeatedly with too little detergent:

- The laundry becomes grey or is not clean.
- Greyish-brown spots may form on the laundry.
- The heating elements become encrusted with lime scale.

Too much detergent will cause:

- unnecessary strain on the environment
- excessive foam giving poor wash results.

The detergent amounts indicated on the pack refer to full machine loads.

For smaller loads or less soiling reduce the amount of detergent.

Notes

Fabric softeners and conditioners

Put these into compartment 8. "Do not exceed MAX", as otherwise these agents will be flushed into the machine together with the detergent at the start of the programme. Dilute thick conditioner with a little water (avoiding lumps) before filling the compartment.

Bleaching agents and stain removers

In addition certain powdered bleaching agents and stain removers may be used on stained fabrics.

First put the detergent and then the bleaching powder or stain remover into compartment 11.

Preparing laundry for washing

Sorting the laundry

◇ Sort the laundry according to the symbols on the fabric care labels.

! Knitted garments or garments with a wool content can only be washed in the machine if they are marked "machine washable". Risk of shrinking.

Only items marked with the following care symbols are suitable for washing in the machine:



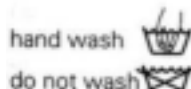
Machine-washable wool



PURE WOOL

MACHINE-WASHABLE

Laundry marked with the following care symbols must not be washed in the machine:



◇ Sort the laundry by colour.

Wash white and coloured items separately otherwise white washing will turn gray.

! Do not wash new coloured items together with other laundry. Risk of discoloration.

◇ Sort the laundry with due regard for maximum loads. Do not overload the washer/dryer. Overloading leads to inferior results. Maximum washing loads:

Whites/coloureds 5 kg
Easy-care, woollens 1.5 Kg

Practical tips

◇ Remove safety pins, paper clips and any other foreign matter or metal objects from the laundry.

◇ Brush sand out of pockets and cuffs.

◇ Close zips and button up cushion covers, duvet covers etc.

◇ Remove curtain runners or secure them in a net bag.

◇ Particularly delicate items, such as tights or lace curtains, or smaller items, such as tiny socks or handkerchiefs, should only be washed in a net bag or pillow case.

◇ Some items are best turned inside out. These include knitwear, trousers, T-shirts and sweatshirts.

◇ Make sure that wire-cup bras are machine-washable.

! Wash wire-cup bras in a pillow case which can be securely closed with a zip or buttons. If the wire works itself out of the cup it may fall through the holes of the drum and cause extensive damage.

Stain removal

If possible stains should be removed immediately while still fresh or at least be pre-treated. Firstly try soap and water. Dab the material rather than rub it.

Stubborn, dried-in stains may require several washes before they disappear completely.

Preparing laundry for drying

◇ Sort the laundry according to the symbols on the fabric care labels.

Only put items in the machine which are labelled as suitable for tumble drying or bear the following care symbols:

=tumble dry at normal heat setting

=tumble dry at low heat setting (delicate tumble)

! The following textiles should not be tumble dried:

- Fabrics marked with the care symbol

=do not tumble dry

- Woollens or items containing wool.

Risk of shrinking

- Delicate fabric (silk, synthetic net curtains).

Risk of creasing.

- Items containing foam rubber or similar material.

- Items which have been treated with inflammable solvents, such as stain removers, petrols, paint thinners. **Explosion hazard.**

- Items still containing hair lacquer or similar substances. **Gas hazard.**

- Dripping wet laundry. **Waste of energy.**

◇ Sort the items with due regard for maximum loads. Do not overload the washer/dryer.

Maximum drying loads:

Whites/coloureds 2 Kg

Easy-care 1.5 Kg

Economy tip:

Wash whites/coloureds with full load(5 Kg). You can then sort the items for tumble drying.

Practical tips

◇ Only tumble dry textiles which have been washed, rinsed and spun.

◇ Water should be thoroughly extracted from the laundry. The spin speed button should not be depressed while spinning is in progress.

◇ Before tumble drying, easy-care items should also be spun using the appropriate spin programme (see programme chart).

◇ In order to ensure uniform drying, sort the items according to fabric type and degree of drying required.

◇ Easy-care items should if possible be removed from the machine while still slightly damp and left to air. Over-drying may cause excessive creasing.

◇ Items which require ironing do not have to be ironed immediately after tumble drying. It is advisable to fold or roll them together for a while, so that residual moisture is evenly distributed.

Using for the First Time

The first wash cycle (without laundry)

Carry out the first wash cycle without laundry to remove any residual water from factory tests.

1. Check that the transit bolts have been removed from the back of the machine (see installation instructions).
2. Turn the tap ON.
3. Pull the detergent drawer out as far as it will go.
4. Pour half a measuring cup into compartment II. Do not use detergents designed for wool or delicate wash as this produces excessive foam.
5. Turn the programme selector clockwise to programme B (whites/coloureds, normal).
6. Set the temperature selector to 60°C.
7. Press the button "ON/OFF".
The programme runs.
8. At the end of the programme, switch OFF the machine by pressing the button "ON/OFF".

Opening the door/loading the machine/closing the door

Opening the door

- Pull the handle on the door towards you. (Fig. 9)

Loading the machine

- ! Any items which have been pre-treated with solvent-based cleaners, such as stain removers and petrol-based agents must be aired. **Explosion hazard.**
- ! Before loading the machine ensure that there are neither foreign objects nor trapped pets in the drum.
- ◇ Load the laundry in an unfolded and loose condition in the drum, mixing large and small items.

Closing the door

- ! When closing the door make sure that nothing is caught between the door and the rubber seal.
- ◇ Close the door by pressing it shut until it snaps to with an audible click.

Add detergent

Turn ON the tap

The tap must remain ON also during drying as drying occurs by condensation.

Setting the programme, starting the programme, programme sequence

Your automatic washer/dryer can be used in three ways:

- washing only
- drying only
- uninterrupted washing and drying

Note the following points:

For uninterrupted washing and drying, the maximum load must be reduced to 2 or 1.5 Kg. Certain types of laundry may not yield satisfactory results using this uninterrupted mode.

the most economical way to use your automatic washer/dryer is to load maximum amounts for washing and for drying, see page 7, 8.

Setting the wash programme

1. Turn the programme selector clockwise to the desired programme.
2. Set the temperature selector to the required temperature.
3. Set the drying time selector to 0.
4. Press the buttons for additional functions as required
---go on to "Starting the programme"

Setting the drying programme

1. Set the programme selector to
G or M
G = hard-wearing fabrics
M = delicate fabrics
(low-heat drying)
2. Set the drying time selector to the required time.
---go on to "Starting the programme"

Uninterrupted washing and drying

1. Turn the programme selector clockwise to the desired programme.
2. Set the temperature selector to the desired temperature.
3. Set the drying time to the required time.
4. Press the buttons for additional functions as required.

Starting the programme

1. Make sure that the door is properly closed.
2. Press the button "ON/OFF". The ON light illuminates and the programme starts.

Drying programme sequence

During drying the programme selector remains in position


G or M

The drying time selector continues turning and will indicate the remaining drying time. During the last 15 minutes of the drying programme the laundry cools down. The cooling-down phase is important to avoid creasing.

- ! Do not interrupt the cooling-down phase.

End of programme/drying

Rinse Hold button pressed

The programme selector has stopped at the  position. The laundry remains in its final rinse water. You now have two alternatives:

- take the laundry from the machine while still dripping wet
 - spin the laundry
- If you want to take the laundry out dripping wet:

1. Switch OFF the machine.
2. Turn the programme selector to pump position P.
3. Switch the machine ON again.
The rinse water is pumped out without spinning.
4. Switch OFF the machine.
After approximately 2 minutes you can open the door and remove the laundry.
If you want to spin the laundry:
 - ◇ Press the "Rinse hold" button again to return it to its normal position.
The water is now pumped out and the laundry is spun.

Rinse Hold button not pressed

The programme ends after the final spin. Switch OFF the machine.
After approximately 2 minutes you can open the door and remove the laundry.

- ! If necessary remove any foreign objects (paper clips, coins etc.) from the drum and the rubber seal. Risk of rust damage.
- ◇ Leave the door slightly open so that the machine can dry out.

End of programme/washing

The drying time selector has reached its end position and door can now be opened.

1. Take the laundry out of the machine immediately to prevent creasing.
This is particularly important with synthetic fabrics.
2. Switch OFF the machine.

After tumble drying:

Whites/coloureds

- Cotton and linen items which have been dried to "iron dry" should be rolled together to prevent drying out completely before ironing.
- "Cupboard dry" items must be smoothed out and folded together.

Easy-care/synthetics

- Hang shirts and blouses individually on hangers.

Cleaning/Maintenance/Frost Protection

Cleaning your machine

! Never use solvents as these can damage machine components, produce noxious vapour and constitute an explosion hazard.
! Never spray the machine with a jet of water.
Housing and control panel should only be cleaned with detergent solution or with a standard, solvent-free, non-scouring cleaning agent.

Cleaning the detergent drawer

1. Pull the detergent drawer right out of the machine (overcoming the spring catch with a slight tug).
2. Clean all parts under running water.
3. Replace the detergent drawer in the machine.

Descaling the machine

Descaling is not usually necessary if you use the right amount of detergent.
! Descaling agents contain acids which can corrode machine components and cause discoloration of laundry.
However, if you do want to descale your washing machine, follow the manufacturer's directions.

Cleaning the drum

Any rust, caused by metal objects left in the machine, must be removed using a chlorine-free cleaning agent (check the description of contents on the pack). Never use steel wool.

Water supply hose

To avoid water damage have the hose checked by a specialist every 5 years.

Cleaning the pump

Fig.   

The pump must be cleaned:

- if the pump is blocked by some foreign object, such as button or paper clip, and water cannot be pumped out.
- after washing very fluffy items.
Before cleaning the pump water must be drained from the machine. When a pump is blocked up to 20 liters of water can run out-so keep a bucket handy.

Cleaning:

1. Remove the base panel from the front of the machine.
! Scalding hazard. Allow hot suds to cool.
2. Take out the discharge hose, pull out the plug and let residual water drain off into a shallow container. Repeat the operation until there is no water left in the machine.
3. Re-plug the discharge hose and push it back into the machine.
4. Unscrew the pump cover.
5. Remove any foreign objects and fibrous deposits. Clean the pump. It must be possible to freely rotate the pump impeller.
6. Screw the pump cover back on.
7. Replace and close the base panel.
8. Pour approximately 2 litres of water into the detergent drawer and run the pump programme. This prevents detergent flowing unused into the drainage system in the course of a subsequent wash cycle.

Cleaning/Maintenance/Frost Protection

Cleaning water inlet filters

Fig ①

The water inlet filters must be cleaned, if there no water or insufficient water runs into the machine when the water tap is turned ON.

The filters are located in the hose connection at the tap and at the back of the machine.

Cleaning procedure:

1. Turn the water tap OFF.
2. Set programme selector to programme whites/coloureds, normal B and temperature selector to cold. Switch OFF the machine for 40 seconds to reduce water pressure in the supply hose.
3. Unscrew the hose from the water tap and rinse the filter out under running water.
4. Reconnect the hose.
5. Unscrew the hose at the back of the machine.
6. Pull the filter out with flat-nose pliers and clean it and then replace it.
7. Reconnect the hose.
8. Turn the water tap ON completely and make sure there are no leaks.
9. Turn the water tap OFF.

Frost protection

If the machine is located in a room which is subject to freezing, and residual water in both the pump and the water supply hose must be drained immediately every time the machine has been used.

Draining the pump:

See "Cleaning the pump" page 16.

Draining the water supply hose:

1. Turn the water tap OFF.
2. Unscrew the hose from the tap and hold the end of the hose in a container.
3. Switch ON an arbitrary wash programme for approximately 40 seconds. Any residual water will run out of the inlet hose.
4. Screw the hose back onto the water tap.

Correcting minor problems yourself

! Only qualified technicians are permitted to make repairs on electrical appliances. Repairs by unauthorised persons can cause considerable damage.

Problems

The power indicator light does not come on

Possible causes / remedies

- The plug is not correctly, or only loosely, inserted in the socket.
- A household fuse has blown.
- Power failure.

Power failure

If there is a power failure or the machine malfunctions, an emergency water discharge procedure is available (see "Cleaning the pump", page), so the laundry can be taken out.

Washing process does not start
water not visible during washing

'ON/OFF' button not pressed.

Door not properly closed.

This is not a malfunction. The water is in the machine below the visible level.

Poor washing results

Degree of soiling was greater than normal.

Change type and amount of detergent.

Select maximum permissible temperature for fabric type. Select a more powerful wash programme.

Suds come out of the detergent drawer

Too much detergent was used. Switch OFF the machine for approximately 5-10 minutes. To reduce foam, put a tablespoon of fabric softener mixed with 1/2 liter water into the detergent drawer. For the next wash adjust the amount of detergent accordingly.

Foam still visible after last rinse

Certain detergents tend to produce more foam but this does not affect the rinsing result.

Motor noise

This is not malfunction. Operating noise can occur at the drive motor's start phase.

Pump noise

This is not a malfunction. During its start phase the pump briefly transports air-producing audible noise. This is normal.

Vibrations when washing and spinning

- Transit bolts were not removed. Follow the directions in the installation instructions (page 20)

- The machine's feet were not secured when the machine was installed. Realign the machine using a spirit level, securing the machine's feet according to the installation instructions.

The machine does not tumble dry

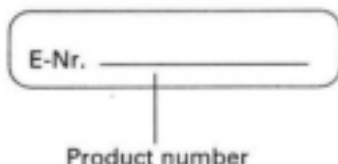
- no drying programme set
- no or too short a drying time set
- tap not turned ON
- door not properly closed
- pump blocked
- pump blocked

Machine does not spin or does not pump out the water

Customer service

- Before calling a customer service representative, see if you can correct the problem yourself. (To do this, refer to "Correcting minor problems yourself")
 - If a service engineer is called out and no fault is found with the machine, a call-out charge will be made, even if the machine is still under warranty.
 - ! If you can't correct a problem yourself, switch off the washing machine, remove the plug from the socket, shut off the water supply and call out a Customer Service representative.
- Customer service will require the machine's product number (E-Nr). This number can be found on the rating plate on the identification plate, with a thick line around it, at the front of the machine behind the base plate.

Note down your machine's number:



Please help avoid unnecessary visits by always specifying the product number. You will save extra costs.

Made by: BSWHousehold Appliances CO., Ltd.
A joint-venture between China and Germany.
Address: 1 Wang Zhuang Road, Wuxi, Jiangsu, China
Tel: 0510-5218888
Fax: 0510-5215169
Postcode: 214028
All rights reserved.

Technical Data

Width	59.5cm
Height	85.0cm
Depth	56.0cm
Weight	approx. 70kg
Capacity/	
Dry weight	see rating plate
Connection voltage	220V/230V
Fuse	10A
Water pressure	0.1-1MPa

Removing transit bolts

Fig. 5. 6

- ! Before using the machine for the first time it is imperative to remove the transit bolts from the back of the machine.
 - ! Use the spanner provided only if a ring spanner is unavailable.
 - ! Caution. If a spanner slips, there is danger of injury.
1. Undo the 4 fixing bolts A and remove them.
 2. Remove the four spacers B. They will fall to the floor when you tip the machine.
 3. Insert cover caps C which you will find in the bag containing the documentation.
- ! Keep the transit bolts for any future transport (moving house).
Transport the machine only after the transit bolts have been fitted to the back. To do this, unscrew the back panel and proceed in reverse order (1 and 2 above).

Installing the machine

- ! When installing and connecting the machine special attention must be paid to the safety advice and warnings which have been identified with an exclamation mark! Always comply with regulations issued by your local water and power authorities.
 - ! Take care when lifting the machine!
Risk of injury.
 - ! Do not hold the machine by any protruding parts when lifting.
 - ! If in doubt, have the machine connected by a qualified specialist.
- Before leaving the factory every machine is thoroughly tested under operating conditions. Any moisture or residual water which you may find in the machine or drainage hose are left over from this testing.

Installation location

- To ensure that the machine is stable when spinning the installation location must be firm and level.
- Do not locate the machine on soft floor coverings such as vinyls, carpeting or foam-baked carpets.
- ! In the case of **suspended wooden floors**, place the machine on a water-resistant wooden board (plinth) of at least 30 mm thickness which is screwed to the floor. If possible, install the machine in a corner of the room.
 - Secure the machine's feet with brackets (this applies particularly to tower arrangements).
 - ! If the machine is installed on a **plinth**, the machine's feet must be secured with brackets to prevent it sliding when spinning. Fig. 8

Brackets are available as a set from your authorised dealer.

Aligning the machine

Fig. 7

! The machine must be perfectly level with all four feet standing on the floor. It must not wobble.

◇ Use a spirit level to align the machine on all sides.

If necessary, correct the height of the machine's feet.

1. Undo the lock nuts.
2. Adjust the height of the feet.
3. Tighten the lock nuts again firmly to ensure that the feet remain at the same height.

Water supply

Fig. 13 20 21

For the water connection a standard cold-water line with a minimum water pressure of 0.1MPa is required (with tap full ON, at least 8 litres of water must flow out in one minute). If the water pressure exceeds 1MPa, a pressure reducing valve must be added.

! Never connect the machine to the mixer tap of a pressureless hot-water heater. If in doubt have the machine connected by a specialist.

! Caution! Connections are under full water pressure; check for leaks with tap turned fully ON.

! The filters at the free end of the inlet hose and at the back of the machine should only be removed for cleaning purposes.

! To avoid water damage the tap must be turned OFF after using the machine.

! The plastic nuts on the hose connections must only be tightened by hand.

Water supply installation

If you use Chinese style water inlet pipe, water connection see fig. 13 20 21

Please observe the following install steps carefully.

1. Pull down the block ring2 (fig. 21), separating the water pipe from the main joint.
2. Unscrew the sealing ring3 from 2 revolutions.
3. Loose the four screws5.
4. Press the main joint against the tape with force, then fix the screws simultaneously.
5. Screw the sealing ring3 upward to make the connection tight and proof.
6. Fix the end of the pipe6 on the connection pipe of the electrovalve.
7. Push down the block ring2, fix the pipe onto the water tape.
8. Open the tape at the Max. position, checking if there is any water leakage. If any water leakage, then you should assemble it again.
9. The main joint can be apart from the pipe easily. It is not necessary to disassemble the main joint from the water tape.

The edge of the water tape must be even.

Drainage

! When installing the machine, do not kink the drain hose or pull on it.

! When draining into a sink the drain hose must not be allowed to slip out of the sink and fall onto the floor. To prevent flooding ensure that the water is draining fast enough out of the sink and that the plug is not restricting the outflow.

Installation see Fig. 13.

Electrical Connection

! The machine must only be connected to an alternating current supply via a correctly installed earthed socket.


! The voltage indicated on the rating plate at the back of the machine must match the mains voltage at the installation location.

! Connected load and required fuse or line protecting cut-out are indicated on the rating plate.

! It must be ensured that the plug and socket match, that the conductor cross-section is sufficient and that the earthing system has been installed in compliance with regulations.

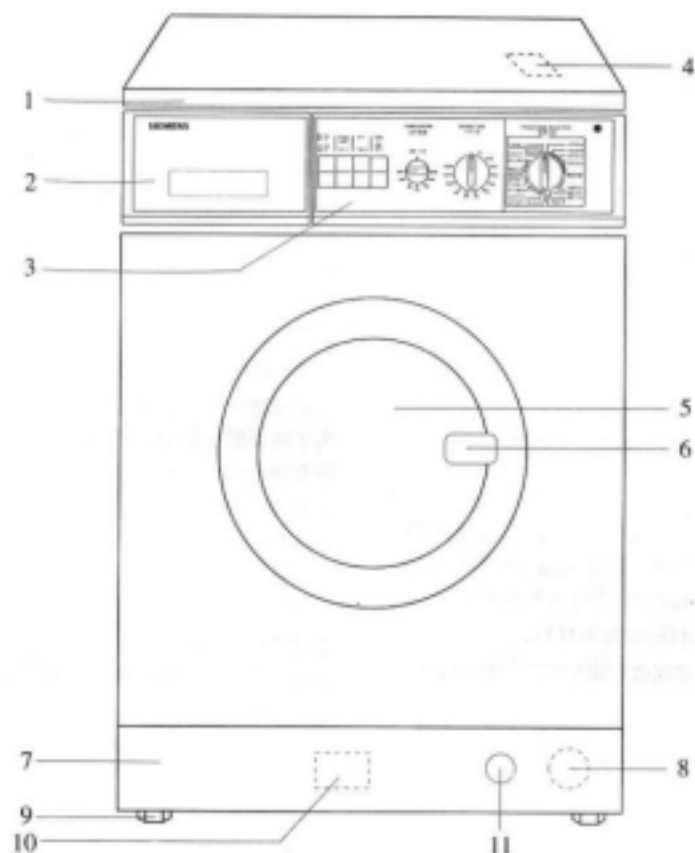
! Multiple plug connectors and extension cables must not be used.

! Do not connect the machine to electrical outlets while your hands are wet or damp.

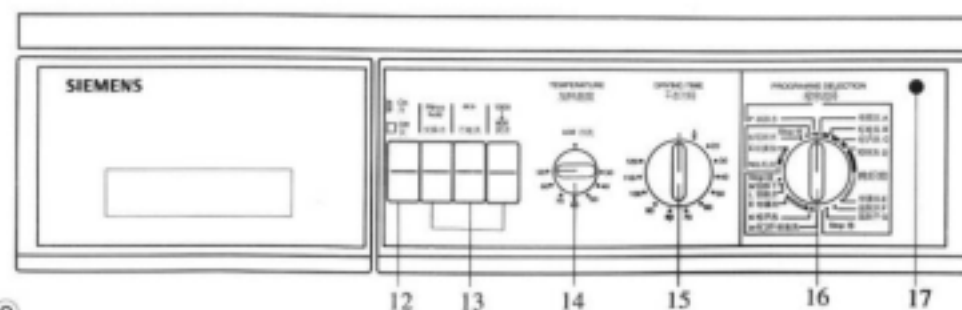
! If an earth leakage (ground fault protection) circuit breaker is to be used, it must be the circuit breaker with symbol  as this is the only type which complies with current regulations.

! To remove the plug from the socket, grasp the plug firmly and pull it out. Do not pull at the cable.

重要信息	处理方法注意事项	
	新机器的包装	25
	旧机器	25
	安全注意事项及警告	25
您的新型洗衣 / 干衣机	环保、节约注意事项	26
	熟悉您的洗衣机	26
	程序、温度及烘干时间选择键	27
	功能键	27
	特殊功能	28
	程序表	29
洗涤剂 and 洗衣准备的注意事项	洗涤剂 and 辅助洗涤剂	32
	洗衣准备	33
	实用需知	33
	污渍去除	33
	干衣准备	34
首次使用	首次洗涤程序	35
洗衣和干衣	开门 / 放入衣物	35
	设定程序 / 程序开始 / 程序进程	36
	程序结束 / 关机	37
清洗 / 保养 / 防冻	清洗机器	38
	清洗洗涤剂盒	38
	洗衣机除垢	38
	清洗内筒	38
	清洗进水管	38
	清洗排水泵	38
	清洗进水过滤器	39
	防冻	39
	故障排除	简单故障自我排除
用户服务		41
安装	拆下运输螺栓	42
	安装洗衣机	42
	校平洗衣机	43
	接驳水源	43
	排水	44
	电气连接	44



①



②

处理方法注意事项

新机器的包装

! 认真负责地处理包装材料。

! 让包装材料远离儿童, 包装材料不是玩具, 再加工及再利用包装材料可以节约原材料, 减少废料。

所使用的全部包装材料均为适合环境及可再利用的。

硬纸板箱包含有 80% 至 100% 再生纸。

塑料包装薄膜材料是聚乙烯 (PE), 胶粘带是聚丙烯 (PP), 泡沫垫是发泡聚苯乙烯 (PS)。这些材料均为碳氢化合物, 可以被再利用。

旧机器

! 当洗衣机无法再用时就放弃它, 按下电源线插头, 剪断电源线, 防止儿童在玩耍时被锁住而引起窒息的危险, 损坏观察窗旁的门勾。

旧机器包含可再利用的有用材料。

请协助正确处理或回收利用而对环境作出贡献。

安全注意事项及警告

此机器符合所有相关的安全规定

第一次使用前:

! 在第一次使用洗衣机前, 请仔细阅读随附各文件, 它们包括重要的机器安装、使用以及安全说明。

! 当不遵守这些说明时 (出现问题), 厂方将不负任何责任。

! 请妥善保管好所有文件。

! 请根据说明 (页码 42 到 44) 安装洗衣机, 拆下运输螺栓并妥善保管。

! 为了确保您的安全, 必须将电源线插头插在带有接地线的三芯插座内, 并注意检查您的三芯插座是否正确可靠接地。

! 如果洗衣机有明显损坏, 请勿通电。如有疑问, 请与用户服务部门或经销商联系。

洗衣及干衣时:

! 只允许用冷自来水。

! 您的洗衣机仅为家用型, 即仅为适宜机洗及烘干的织物所设计。

! 禁止让儿童玩弄洗衣机。

! 让宠物远离洗衣机。

! 当洗衣机排出热的洗衣水时, 小心烫伤。

! 由于机器和衣物在烘干过程中会变热, 所以在烘干时禁止将门打开。

当程序结束后:

! 如滚筒仍在转动时, 切勿将手伸入滚筒内。

! 程序结束后, 随即关掉机器。

为保护机器:

! 勿爬坐在机器上。

! 勿靠在门上。

搬运时:

! 请使用运输螺栓。

! 排干机内的积水。

! 小心搬运, 在抬高时勿抓住机器各突出部分。

环保/节约注意事项

• 按以下最大洗衣量洗涤可使机器洗涤更经济, 更利于环境保护:

白色和有色织物: 5kg

化纤织物和羊毛织物: 1.5kg

• 如何节能

尽量使用节能程序并设定较低温度。在白色及有色织物洗衣程序 B 中, 白色织物洗衣温度可由 60°C 代替 90°C。

在化纤织物洗衣程序 H 中, 化纤织物洗衣温度可由 40°C 代替 60°C。

每次洗衣均按下节能键, 节能键可缩短洗衣机加热时间。

• 如何节能、省时和节省洗涤剂

对于不太脏的衣物勿需进行预洗。

• 如何节能、省时

对于不太脏的衣物可根据织物类型选择较短时的洗衣程序。

• 如何节省洗涤剂

根据水质硬度, 衣物肮脏程度和衣物重量来决定洗涤剂用量, 并遵照洗涤剂包装上的说明使用。

熟悉您的洗衣机

请参照图 ①、②、③, 以下为各部件的名称:
图 ①

1. 顶盖
2. 洗涤剂料盒, 附程序标牌 (图 ④)
3. 控制面板
4. 电气铭牌
5. 观察窗 (机门)
6. 门把手
7. 底部挡板
8. 排水泵—底部挡板后面
9. 可调机脚
10. SIEMENS 标牌
11. 出水管

图 ②

12. “开/关”按钮
13. 附加功能键
(不同机型略有不同)
14. 温度选择键
15. 烘干时间选择键
16. 程序选择键
17. 电源指示灯

图 ③

20. 排水管
- 机器背面联结有进水管。

详细安装见图 ④、⑤ 及第 43、44 页。

程序、温度及烘干时间选择键

程序选择旋钮用于选择洗衣程序。在机器处于断电状态时，顺时针旋转程序选择旋钮到您所需的洗衣程序，请参考第 29, 30 页上的程序表及图②。

温度选择旋钮用于设定洗衣温度。

为保证柔和地洗衣，化纤织物洗涤程序的实际最高洗涤温度不会超过 60℃，羊毛织物洗涤程序的实际最高洗涤温度不会超过 40℃，即使您设置了更高的洗衣温度。

如果您想在机内烘干衣物，

就必须用烘干时间选择旋钮设定烘干时间。

按顺时针方向转动该旋钮至您所需的烘干时间，如烘干时间选择旋钮位于 0 位，烘干功能即被关闭。

功能键(开/关和附加功能键)

见图②

开/关

按下此键时，机器即按您所设置的程序工作，电源指示灯亮。

注意 因安全保护需要，如机门未正确关闭，即使电源指示灯亮，机器也不会工作。

在洗衣过程中，机门不能打开，必须先关掉机器（按“开/关”键），并确保电源指示灯熄灭，关机约 2 分钟后，方可将门打开。

免排水键

按下此键，在最后一次漂洗后，衣物将留在水中以免起皱。

节能洗键

按下此键，洗衣时可减少能耗。

脱水转速键(降速脱水)

按下此键，白色/有色织物洗涤程序中的脱水转速会降低。

建议在洗涤精细织物时采用较低脱水转速。

在化纤程序和羊毛程序中，洗衣机将自动以较低转速脱水，不论此键是否被按下。

功能键(开/关和附加功能键)

羊毛洗键

将程序选择旋钮置于 N (快洗) 并按下此键，洗涤将按羊毛程序进行。在化纤和普通织物洗涤程序中，洗衣机将按其本身程序进行，不论此键是否被按下。

节能要领:

如要将衣物在机内烘干，应选择较高的脱水转速，脱出的水越多，干衣时间越短，耗电越少。

特殊功能

超静音

将洗涤和脱水噪声降到最低限度，以提供您更宁静的生活空间。

快洗

对于数量较少，受污程度较轻，特别是夏季的轻薄衣物，可选择本功能，以获得更快捷的洗涤速度，并能更好地节省水电。

(不同机型，功能有所不同)

程序表 (WD 9100, EXTRA WD 900)

必须按厂家说明进行洗涤		程序选择键定在	最大洗衣量	适宜水温℃	洗涤剂料盒			附加功能			程序(大约)持续时间(分钟)
					I格	II格	柔剂	免排水	节能洗	脱水转速*	
棉织物 亚麻织物	带预洗	A	5kg	30-90	●	●	○	○	○	○	120
	标准洗	B	5kg	60-90		●	○	○	○	○	105
	经济洗	C	5kg	40-60		●	○	○	○	○	80
	短时洗	D	5kg	30-40		●	○	○		○	60
	带漂洗	E	5kg					○		○	50
	强脱水	F	5kg							○	6
强烘干		G	2kg								120 (最长)
化纤织物	标准洗	H	1.5kg	40-60		●	○	○	○		60
	经济洗	K	1.5kg	30-40		●	○	○			55
	弱脱水	L	1.5kg								3
弱烘干		M	1.5kg								120 (最长)
羊毛织物 窗帘	纯毛洗	N	1.5kg	1-40		●	○	○			30
	窗帘	N	1.5-2.5m ²	1-40		●	○	○			30
	短脱水	S	1.5kg								3
排水		P									3

●=必须 ○=可任意选择

*WD9100 降速脱水 1000→600

EXTRA WD900 降速脱水 900→500

程序表 (WD 9110)

必须按厂家说明进行洗涤		程序选择键定在	最大洗衣量	适宜水温℃	洗涤剂料盒			附加功能			程序(大约)持续时间(分钟)
					I格	II格	柔剂	羊毛洗	免排水	脱水转速	
棉织物 亚麻织物	带预洗	A	5kg	30-90	●	●	○		○	○	120
	标准洗	B	5kg	60-90		●	○		○	○	105
	经济洗	C	5kg	40-60		●	○		○	○	80
	短时洗	D	5kg	30-40		●	○		○	○	60
	带漂洗	E	5kg						○	○	50
	强脱水	F	5kg							○	6
强烘干		G	2kg								120 (最长)
化纤织物	标准洗	H	1.5kg	40-60		●	○		○		60
	经济洗	K	1.5kg	30-40		●	○		○		55
	弱脱水	L	1.5kg								3
弱烘干		M	1.5kg								120 (最长)
快洗 羊毛织物	快洗	N	1.5kg	1-60		●	○		○		30
	羊毛	N	1.5kg	1-40		●	○	●	○		30
	短脱水	S	1.5kg								3
排水		P									3

●=必须 ○=可任意选择

烘干程序表

白色 / 有色织物 (棉织物, 亚麻织物)					
干衣重量 (公斤)	0.5	1.0	1.5	2.0	
	干衣时间 (分钟)				程序选择
随即可放入衣橱	60-70	70-80	80-90	90-100	G
需熨烫	50-60	60-70	70-80	80-90	

易洗轻便织物 / 化纤织物					
干衣重量 (公斤)	0.5	1.0	1.5		
	干衣时间 (分钟)				程序选择
易洗轻便织物	35-40	45-50	55-60		M
化纤织物		30	30-35		

上表所列时间为近似值, 且仅适用于标准洗衣量。

您可选择的最大烘干时间是 120 分钟。

洗涤剂 and 辅助洗涤剂

见图 ⑩, ⑪

您可选用任何一种适合全自动洗衣机的低泡沫洗衣粉或洗涤剂。

! 禁止使用不适合全自动洗衣机用的多泡沫洗涤剂。

! 禁止使用清洁溶剂, 以免发生爆炸。

! 请勿在洗衣机旁使用含洗涤促进剂的溶剂或去污斑喷射液, 以免损坏机器。

! 请勿把洗涤剂放在儿童易取之处。

洗涤剂量

要想有理想的洗涤效果, 请遵照洗涤剂包装上的说明, 正确计算洗涤剂用量。

使用液体洗涤剂时, 请先从料盒的后部取出绿色插片, 插入前槽 (见图 ⑩), 然后加入洗涤剂。插片上的刻度会帮您准确计量洗涤剂。切勿超过插片上的 MAX (最大量) 标记。

您也可使用随附于洗涤剂的各种量具, 如计量测定球或袋。

洗涤剂的用量取决于:

- 水质硬度
- 衣物脏污程度
- 洗涤量
- 洗涤剂生产厂的剂量说明

如洗涤后的衣物重复出现如下情况, 说明洗涤剂用量不足:

- 洗涤物变灰或不干净
- 衣物上有灰褐色斑点
- 加热元件上有石灰质硬壳

过量的洗涤剂会导致:

- 不必要的环境污染
- 过多的泡沫使洗衣效果变差

洗涤剂包装上的用量说明往往是对最大洗涤容量而言。

洗涤量小, 脏污程度低, 可适当减少洗涤剂用量。

注意事项:

柔软剂和调理剂

将它们倒入柔软剂料盒 (标有 "⊕"), 切勿超过 MAX (最大量) 标记, 以免立即流失。

较浓的柔软剂在倒入料盒前, 应用水调和, 去除结块, 以防虹吸管阻塞。

漂白粉和去污剂

加入某些特定漂白粉或去污剂有助于清洗衣物上的污迹。

先放入洗涤剂, 再将漂白粉或去污剂放入料盒室 II。

洗衣准备

将待洗衣物分类

◇按衣物上注明的织物标志进行分类。

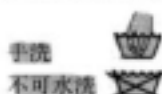
! 羊毛织物或含有羊毛成份的衣物一般不宜机洗，除非带有“适宜机洗”标志，以免缩水。只有标有以下标志的衣物可以机洗：



纯羊毛

适宜机洗

以下衣物上的标志表明不可机洗：



◇按颜色分类

将白色织物与有色织物分开洗，否则白色织物可能变色。切勿将新衣服与别的衣物一起洗，以防混色。

◇按最大洗涤量分类，不要过量，以免导致不良后果。

最大洗涤量：

白色 / 有色织物 5 公斤
化纤织物，羊毛织物 1.5 公斤

实用须知

◇取下衣物上的别针、夹子等异物及其它金属物品。

◇清除口袋和袖口里的砂子。

◇拉上拉链，扣上扣眼等。

◇取下窗帘上的挂钩或者将其放入网袋内洗。

◇特别精细的织物，如花边窗帘、紧身衣、小件物品（紧身袜、手帕等），应放入网袋内洗。

◇有些衣物应内层外翻，如毛衣、长裤、T-恤等。

◇确认胸罩是否适宜机洗。

! 将胸罩放入能用拉链或纽扣牢固封闭的枕套内洗，以防胸罩内的钢丝弹出，插入滚筒内而损坏机器。

污渍去除

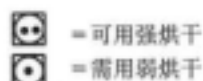
对于衣物上较新的污渍，应及早去除，可以尝试用肥皂和水，轻轻揉搓。

顽固固垢可能需多次洗涤才能清除。

干衣准备

◇按织物上的标记对织物进行分类。

有以下标记的衣物可用机器烘干



! 以下衣物不能用机器烘干

- 有不能烘干标志的衣物



- 羊毛或含羊毛的织物，以防缩水。

- 精细织物（如丝织物、化纤织物、网眼窗帘等）以防起皱。

- 含发泡橡胶或类似材料的织物。

- 用易燃溶剂（如去污剂、汽油等）处理过的织物，以防爆炸。

- 含发泡或类似物质的织物，以防产生有毒气体。

- 仍在滴水的湿衣物，费电。

◇按最大干衣量将衣物分类，请勿过量。

最大干衣量：

白色 / 有色织物 2 公斤
化纤织物 1.5 公斤

节能要领：

用最大洗衣量（5 公斤）洗涤白色 / 有色织物，然后分类烘干。

实用须知

◇洗涤、漂洗、脱水后的衣物才能烘干。

◇衣物应充分脱水，请勿在脱水过程中按下脱水转速键。

◇化纤织物在烘干前，应选用合适的脱水程序（请参考程序表）

◇按织物类型及所需的烘干程度分类，以保证均匀烘干。

◇化纤织物最好在未彻底烘干前取出，以免过度烘干而使衣物起皱。

◇烘干后的衣物若需熨烫，最好将其折起放一会，使衣物内残留湿气分布均匀再熨烫。

首次使用

首次洗涤程序(不放入衣物)

初次洗涤不放入衣物,目的是排出机器在出厂测试时留在机内的存水。

1. 检查运输螺栓是否已卸下。
2. 打开水龙头。
3. 拉出洗涤剂料盒。
4. 在料盒室 II 内放入半勺洗衣粉,请勿使用羊毛或柔洗专用洗涤剂,以免产生过量泡沫。
5. 顺时针旋转程序选择旋钮到程序 B (白色/有色织物,标准洗)
6. 设定洗衣温度为 60°C
7. 按下“开/关”键,程序开始运行。
8. 程序结束后,按下“开/关”键关掉机器。

开门/放入衣物/关门

开门

◇拉动门把手,将门打开。(图 ⑨)

放入衣物

! 用清洁剂(如去污剂)和汽油等易燃溶剂处理过的衣物必须先使其挥发风干,以防爆炸。

! 放入衣物前,应确保滚筒内无异物或不小心被困的宠物。

◇将衣物松散地放入机内,不要折叠,且大件和小件分布均匀。

关门

! 关门时应确保无异物卡住。

◇把门关上直至听到“咔嚓”声为止。

加洗涤剂

打开水龙头

即使在干衣时,水龙头也应开着,因为烘干是通过冷凝进行的。

设定程序/程序开始/程序进程

您的全自动洗衣干衣机有三种工作方式

- 单洗
- 单烘干
- 洗衣干衣不中断

注意:

如选用洗衣干衣不中断方式工作,放入的衣物不能超过 2 公斤,有些类型的衣物烘干效果可能不理想。

洗衣干衣机最经济的使用方法是:大量地洗涤,大量地烘干。(见第 29、30 页)

设置洗涤程序

1. 顺时针转动程序选择旋钮到您所需的程序。
2. 设置所需的洗衣温度。
3. 将烘干时间选择旋转到 0 位。
4. 按下您所需的附加功能键。

继续往下参阅“程序开始”

设置烘干程序

1. 转动程序选择旋钮到 G 或 M
 - G=一般织物
 - M=精细织物(低温烘干)
2. 设定所需干衣时间

继续往下参阅“程序开始”

洗衣干衣不中断

1. 顺时针旋转程序选择旋钮到您所需的程序。
2. 设定您所需的洗衣温度。
3. 设定您所需的烘干时间。
4. 按下您所需的附加功能键。

程序开始

1. 确保机门正确关闭。
2. 按下“开/关”键,电源指示灯亮,机器开始工作。

烘干程序进程

烘干程序过程中,程序选择旋钮始终处于起始位置,即 G 或 M

烘干时间选择旋钮不停转动,以显示剩余的烘干时间。

烘干程序的最后 15 分钟为衣物冷却时间,以防衣物起皱。

! 切勿中断该冷却过程。

洗涤程序结束

免排水键被按下时

程序选择旋钮停在E(带漂洗)位置,衣物浸泡在最后一次漂洗水中,此时您有两种选择:

- 取出滴水的衣物。
 - 对衣物进行脱水。
- 如要取出滴水的衣物,则

1. 关掉机器。
2. 将程序选择旋钮旋到P位(单排水)。
3. 按下“开/关”键,漂洗水排出机内,但不脱水。
4. 关掉机器。

约2分钟后,打开门,取出衣物。

如需脱水,则:

◇按下“免排水”键使其复位。

机内的水就被排出,并且对衣物进行脱水。

免排水键未按下时

程序在最后一次脱水后结束。

关掉机器约2分钟后打开机门,取出衣物。

!及时取出滚筒和橡胶门封中的异物,以防生锈。

◇让机门略微开着,以便使机内变干。

干衣程序结束

烘干时间选择旋钮转到终点(即0位)时,可打开机门。

1. 立即从机内取出衣物以防起皱,特别是化纤织物。

2. 关掉机器。

烘干后:

白色/有色织物

-棉织物和亚麻织物如需熨烫,应及时卷起以防完全干透。

-如需立即放入衣橱,应将织物弄平并折叠整齐。

轻便可洗织物/化纤织物

-把男、女衬衫逐一挂到挂钩上。

清洁/保养/防冻

清洗

!禁止使用溶剂,以防损坏洗衣机,产生有毒气体及引起爆炸。

!切勿用水喷淋冲洗洗衣机。

应使用无溶剂和非腐蚀性的洗涤剂清洗洗衣机箱体和控制面板。

清洗料盒

1. 略用力,将整个抽屉拉出。
2. 用自来水冲洗抽屉及其附件。
3. 将抽屉插入原位。

除垢

如果您使用适量的洗涤剂,就不必经常除垢。

!去垢剂含有能腐蚀机器零件及引起衣物变色的酸液。

如确需除垢,请遵照去垢剂生产厂的使用说明。

清洗滚筒

金属物件在滚筒内留下的锈斑,应及时用无氯清洁剂去除(请检查包装上的内容说明)

切勿使用钢丝绒。

进水管

为避免漏水,最好请专业人员每五年检查一次。

清洗排水泵

见图 ⑬ ⑭ ⑮

• 泵内有异物(如纽扣、回形针等)阻塞而不能排水,就必须清洗。

• 洗涤绒毛织物后,也必须清洗。

在清洗排水泵前,应先把机内的存水排出,由于积水超过20升后会自动流出,因此事先应准备好一个水桶。

清洗方法:

1. 将底部挡板卸下。
- ! 为避免烫伤,应在机内热水冷却后进行。
2. 拉出排水管,拔掉水管塞子,将水排入一个浅容器。
3. 重新塞上水管塞,将水管按原位装好。
4. 拧下泵盖。
5. 取出泵内的异物残渣,并清洗水泵,直到叶片可自由转动。
6. 拧上泵盖。
7. 装上底部挡板。
8. 从料盒内注入约二升水,然后启动排水程序,以防止在下一洗涤程序中洗涤剂未经使用而流入排水系统。

清洗/保养/防冻

清洗进水过滤器

见图 ①

如打开水龙头后不进水或进水不足,就必须清洗进水过滤器。

过滤器有两个,分别位于进水管与水龙头和洗衣机的联接处。

清洗方法:

1. 关上水龙头。
2. 设置洗涤程序为白色/有色织物,标准洗B,把温度选择旋钮转到冷水位置,关机40秒,以降低进水管内的水压。
3. 从水龙头上拆下进水管,用自来水清洗过滤器。
4. 重新连接进水管。
5. 从机器背面拧下进水管。
6. 用尖嘴钳拔出过滤器,清洗后装回。
7. 重新连接进水管。
8. 打开水龙头,检查确保不漏水。
9. 关掉水龙头。

防冻

如果您的洗衣机放在易受冰冻的房屋内,使用后请务必将排水泵和进水管内的残留水排尽。

排除泵内存水

见“清洗排水泵”第38页

排除进水管内存水

1. 关掉水龙头。
2. 从水龙头上拧下进水管,将其端部放入容器内。
3. 启动任一洗涤程序约40秒钟,存水将从进水管内排出。
4. 重新把进水管拧至水龙头上。

简单故障自我排除

! 只有专业维修人员才能对电器件进行维修,其他人员未经许可,不得擅动,以免造成严重后果。

问题	可能原因及解决方法
电源指示灯不亮	电源插头没插好 保险丝熔断 停电
断电	如突然断电或机器出现故障,可按“清洗排水泵”一节介绍的方法把机内的水排出,这样就可取出衣物。
不能启动	开/关键未按下 门未关好
洗涤时看不见水	这是正常现象,机内的水低于可见水位
洗涤效果不佳	衣物特别肮脏 改变洗涤剂用量及类型 选择织物类型可容许的最大洗涤温度 选用强洗涤程序
肥皂水从料盒中溢出	洗涤剂过量,应关机5-10分钟,将1/2升水与一勺柔软剂混合后注入料盒,以减少泡沫,下次洗涤时应适当减少洗涤剂。
最后一次漂洗后还有泡沫	有些洗涤剂会产生较多泡沫,这不影响漂洗效果
电动机噪声	些属正常现象,电动机启动时会产生较大声音
排水泵噪声	些属正常现象,泵启动时简短排气,会产生声响
洗涤和脱水时有震动	未卸下运输螺栓,请参见安装说明(第42页) 底脚未垫平,使用水平仪校平机器,参见安装说明
不烘干	未设置干衣程序 未设置干衣时间,或烘干时间设置太短 自来水龙头未打开 门未关好 排水泵阻塞
不脱水或不排水	排水泵阻塞

用户服务

◇与用户服务代理联系之前，看看您自己是否能把故障排除掉（参考“简单故障自我排除”）。如果让维修人员上门并发现机器并无故障，则即使在保修期内，您也必须负担有关费用。

! 如果您自己无法排除故障，请关掉机器，从插座中拔出插头，关闭水龙头，并与用户服务代理联系。

当您与服务部门联系时，请指明您的洗衣机的产品型号 (E-Nr)。在底部挡板后面，可以找到该号码。



产品号

请务必指明产品型号以防不必要的上门服务。这可节省您额外的支付。

技术参数

宽度	595 mm
高度	850 mm
厚度	560 mm
重量	约 70 kg
洗涤容量	见程序表
烘干重量	
电压	220V ~ 230V
最大电流	10A
水压	0.1-1MPa

拆下运输螺栓

见图 ⑤、⑥

! 机器在第一次使用前，务必拆下机器背面的运输螺栓。

! 当您没有套筒扳手时，请使用随机所附的扳手。

! 操作时应谨慎小心，以免扳手打滑引起损伤。

1. 卸下 4 个固定螺栓 A。

2. 取出 4 只弹簧座 B，当您倾斜（摇动）洗衣机时，它们会落到地面。

3. 用所附的孔塞将小孔盖上。

! 请妥善保存运输螺栓，以备将来运输之用（如搬家）。运输前务必装上运输螺栓。操作时，卸下后封门，再把运输螺栓装上。

安装洗衣机

! 为安全起见，请遵守用电用水规则。

! 小心抬放机器，避免意外伤害。

! 请勿抓住机器的突出部分抬放。

! 如有疑问，应请专业人员连接。

每台机器出厂前，均在操作条件下经过严格检测，若在机内或排水管内发现潮湿或残留水，属正常情况。

安装位置

为保证脱水时机器稳定，安装处的地面必须坚固而平整。请勿把机器放在柔软的地毯上。

! 如果洗衣机置于高（悬）架木板地上，必须在机体下放置一块厚度为 30mm 的硬木工作台。工作台必须牢固地固定在地板上。如有可能，洗衣机应尽量置于墙角。

! 当洗衣机置于底座上时，机脚必须用固定夹固定在底座上，以防脱水时滑动。（见图 ⑧）这种固定夹可在商店或通过我们的备件部门得到。

生产厂家：中德合资 博西威家用电器有限公司

厂址：中国江苏无锡国家高新技术开发区旺庄路 1 号

电话：0510-5218888

传真：0510-5215169

邮编：214028

校正洗衣机

见图⑦

- ! 四个机脚立于地面时, 机器必须完全水平, 且稳固不动。
- ◇用水平仪正确测量洗衣机的四个侧面。必要时, 校正各机脚高度。
1. 旋松各锁紧螺母。
 2. 调节各机脚高度。
 3. 拧紧锁紧螺母, 确保各机脚保持在同一高度。

接驳水源

见图⑱⑲⑳

- 接驳要求水压至少为0.1MPa的普通冷水管(当水龙头完全打开后, 水流量须大于8L/minute)。如果水压大于1MPa, 需配置一降压阀。
- ! 切勿将洗衣机与无压力热水器的冷热组合龙头连接。
- ! 水管连接处将承受充分的水压, 须完全打开水龙头, 检查连接处的紧密性。
- ! 为避免水引起的事故, 在洗衣结束后必须关上水龙头。
- ! 只能用手拧紧进水管各接头上的塑料螺母。

接驳水源

如果您使用的是中国式样的进水管, 则连接图见⑲⑳㉑

安装前请认真阅读以下安装步骤:

1. 向下拉动卡圈2(图㉑), 用力将进水管和接头分离开。
2. 向下旋松封水圈3两圈左右。
3. 依次将四只螺钉4向外拧松。
4. 将接头套在自来水龙头的出水口上, 用手从下向上抵住接头, 先将水龙头内侧两螺钉拧紧, 然后再拧紧水龙头外侧的两个螺钉。
5. 用力将封水圈3向上旋, 使封水圈内的橡胶垫与水龙头出水口平面紧紧压在一起。
6. 将进水管的另一端接头6套在洗衣机进水口, 均匀用力, 将接头旋紧, 使橡皮垫紧紧压在进水口。
7. 向下拉卡圈2, 把进水管按在水龙头上, 安装完毕。
8. 拧开水龙头至最大, 检查进水管接头处有无漏水, 如有, 则需拆下重装。
9. 进水管接头与进水管可以自由拆卸, 接头与自来水龙头则不必再拆卸了。

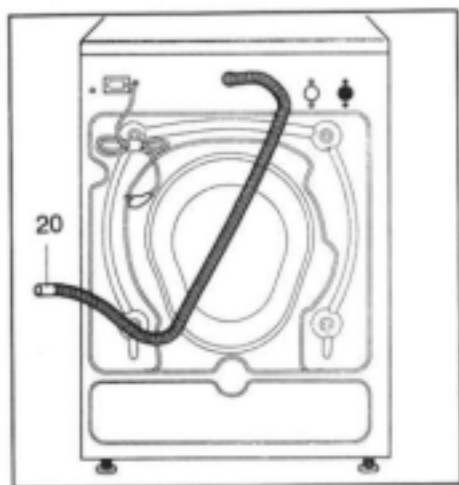
自来水龙头出水口应平整。

排水

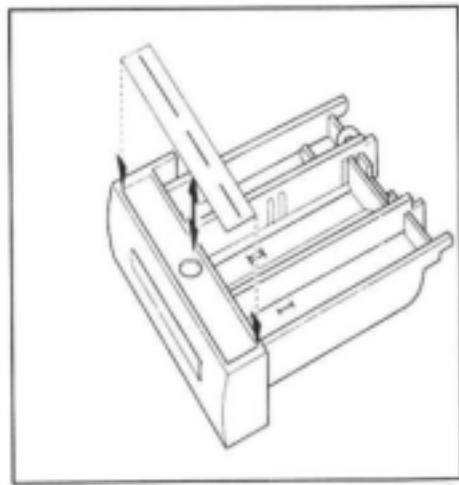
- ! 请勿用力扭折或拉曳排水管。
- ! 当水排进水池内时, 排水管务必固定好, 以防滑脱而使水流至地面。为防止溢流, 应保证水能迅速地被排出水池。
- 安装请参考图⑳

电气连接

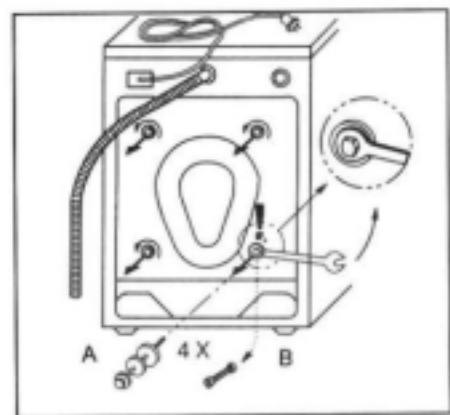
- ! 请用正确安装的带接地的插座连接电源。
- ! 确保您所处的供电电压与洗衣机铭牌(位于机体下部的挡板后)上的一致。
- ! 应按铭牌选择保险丝或熔断器。
- ! 电源插头与插座必须匹配, 必须确保机体正确接地。
- ! 请勿使用多用插头或插座连接作延长线使用。
- ! 请勿用湿手接驳电源。
- ! 如需使用接地漏电(接地保护)断路器, 其符号必须为☐
- ! 拔插头时, 应抓紧插头, 然后拔出, 请勿用力拉电线。



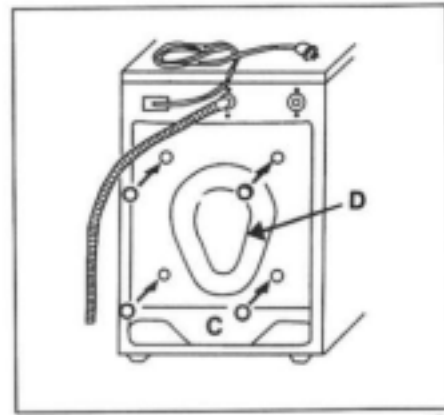
③



④



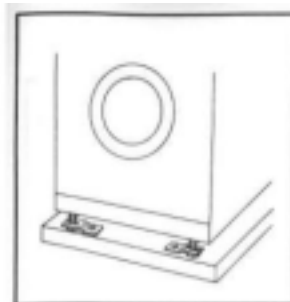
⑤



⑥



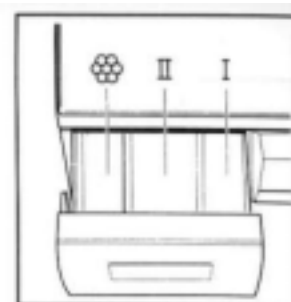
⑦



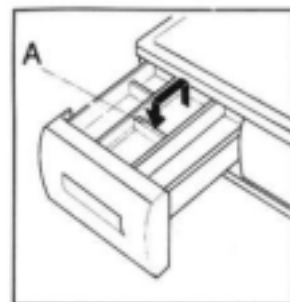
⑧



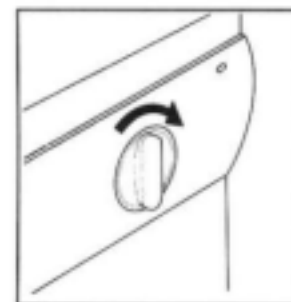
⑨



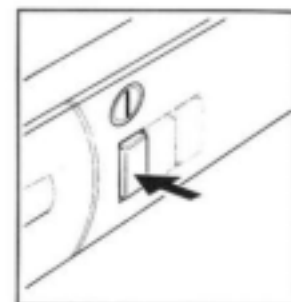
⑩



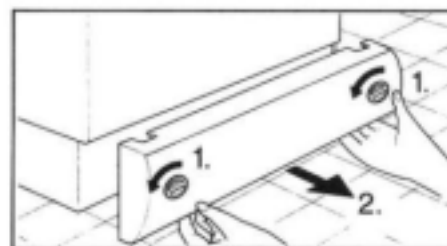
⑪



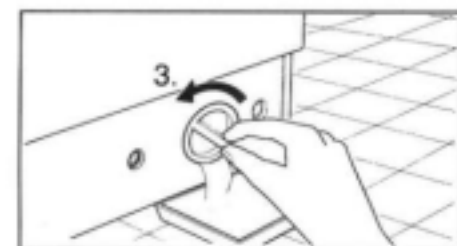
⑫



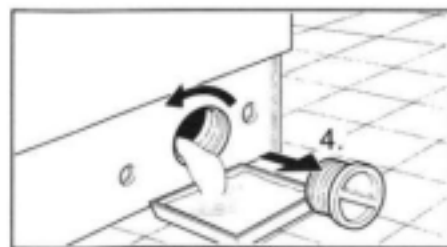
⑬



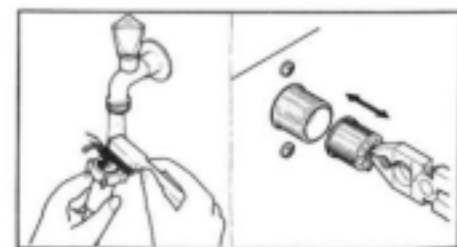
⑭



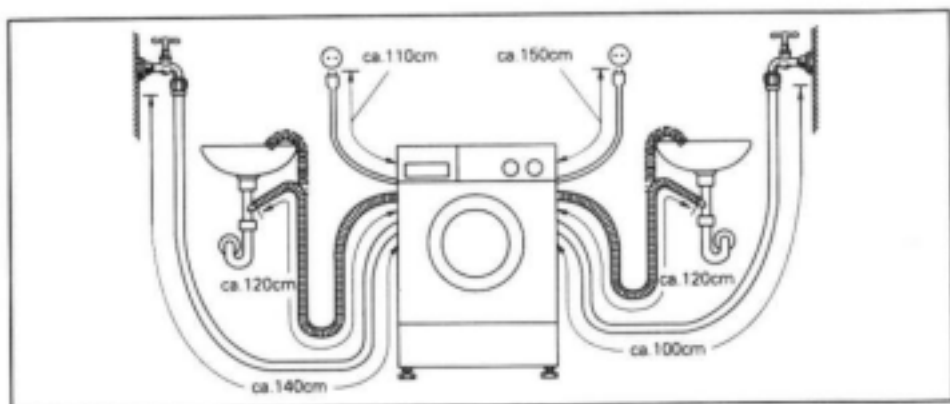
⑮



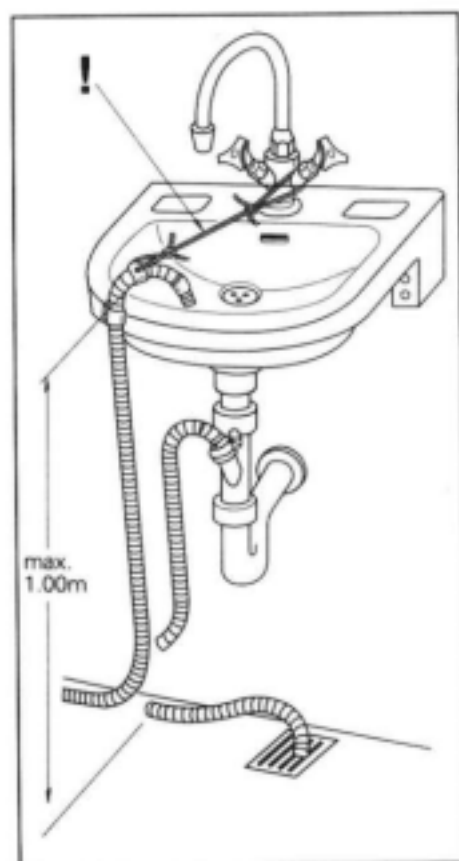
⑯



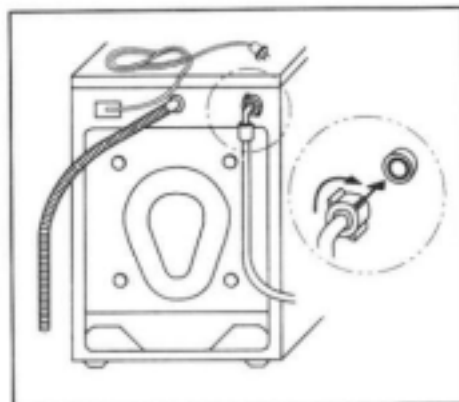
⑰



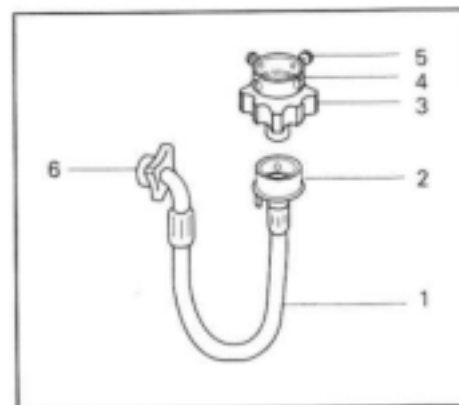
18



19



20



21