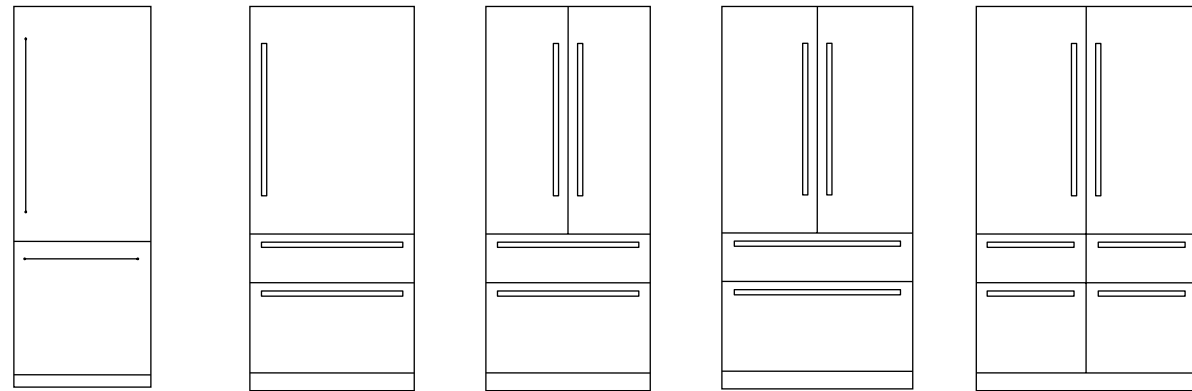


# Appliance Overview – Bottom Freezers

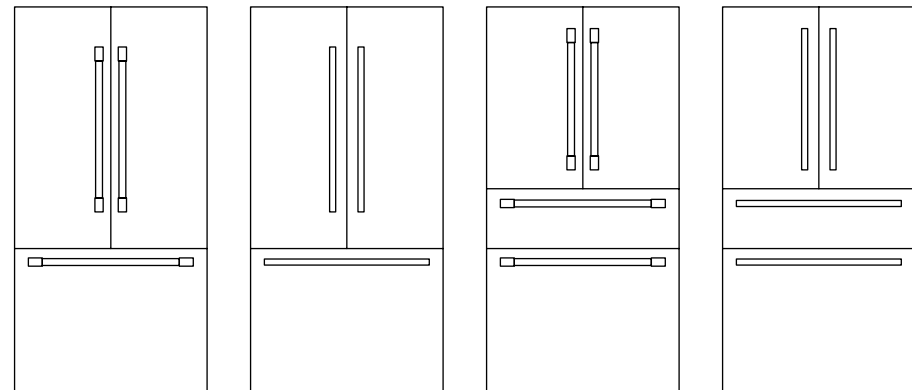
FREEDOM® COLLECTION

## Bottom Freezers



T30IB100SP	T36IB100SP	T36IT100NP	T42IT100NP	T48IT100NP
30-Inch 2-Door	36-Inch 2 Drawer	36-Inch 2 Drawer French Door	42-Inch 2 Drawer French Door	48-Inch 4 Drawer French Door
Reversible Door Swing	Reversible Door Swing	—	—	—
Build Your Custom Column	Build Your Custom Column	Build Your Custom Column	Build Your Custom Column	Build Your Custom Column

## Freestanding French Door Bottom Freezers

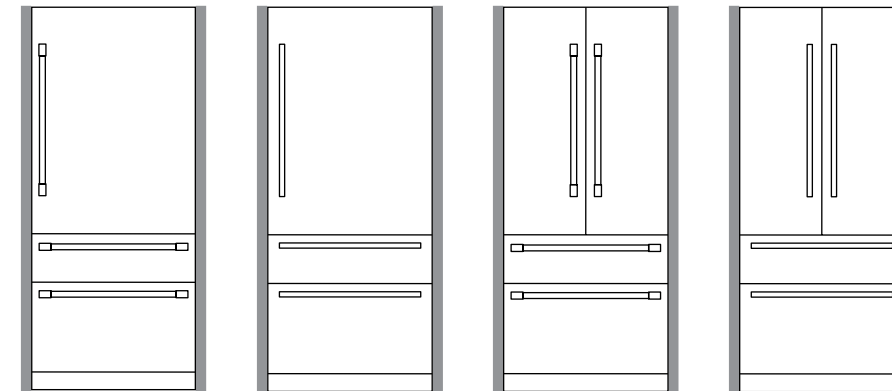


T36FT820NS	T36FT810NS	T36FL821NS	T36FL810NS
36-Inch French Door	36-Inch French Door	36-Inch French Door	36-Inch French Door
Freestanding, Counter-depth	Freestanding, Counter-depth	Freestanding, Counter-depth	Freestanding, Counter-depth
Stainless Steel	Stainless Steel	Stainless Steel	Stainless Steel
Professional Handles	Masterpiece® Handles	Professional Handles	Masterpiece® Handles

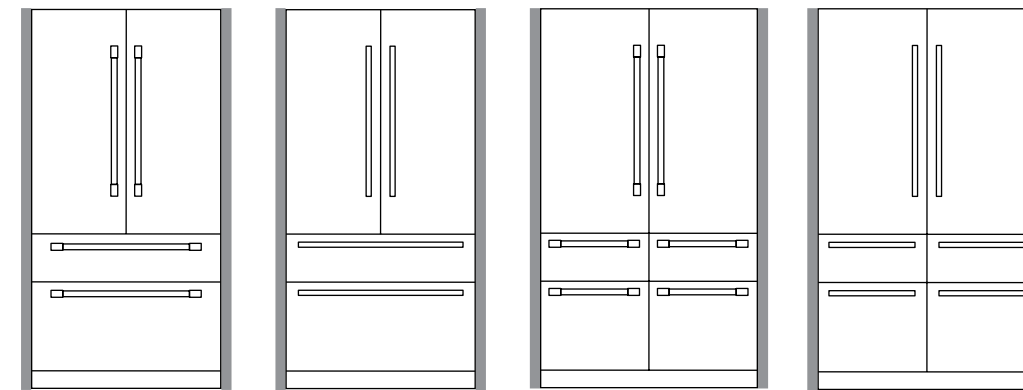
# Appliance Overview – Bottom Freezers

FREEDOM® COLLECTION

## Pre-Assembled Bottom Freezers\*



T36BB120SS	T36BB110SS	T36BT120NS	T36BT110NS
36-Inch 2 Drawer	36-Inch 2 Drawer	36-Inch 2 Drawer French Door	36-Inch 2 Drawer French Door
Reversible Door Swing	Reversible Door Swing	—	—
Flat Stainless Steel Panels	Flat Stainless Steel Panels	Flat Stainless Steel Panels	Flat Stainless Steel Panels
Professional Handles	Masterpiece® Handles	Professional Handles	Masterpiece® Handles



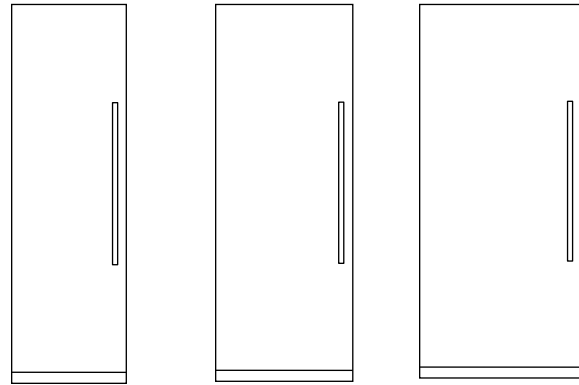
T42BT120NS	T42BT110NS	T48BT120NS	T48BT110NS
42-Inch 2 Drawer French Door	42-Inch 2 Drawer French Door	48-Inch 4 Drawer French Door	48-Inch 4 Drawer French Door
—	—	—	—
Flat Stainless Steel Panels	Flat Stainless Steel Panels	Flat Stainless Steel Panels	Flat Stainless Steel Panels
Professional Handles	Masterpiece® Handles	Professional Handles	Masterpiece® Handles

\*Pre-assembled bottom freezers can be installed flush in 25-inch deep cutouts or with included frame in 24-inch deep cutouts.

# Appliance Overview – Columns

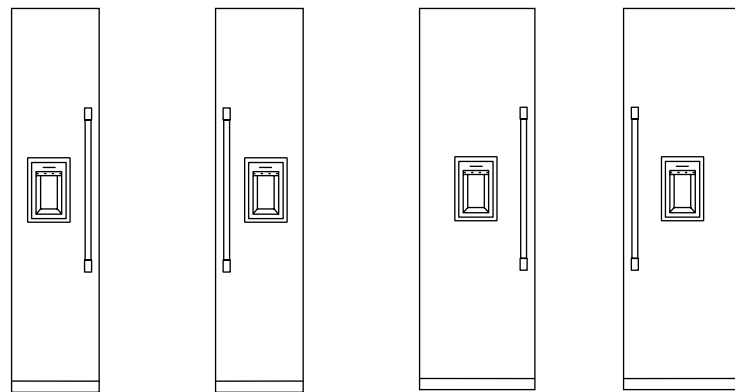
FREEDOM® COLLECTION

## Fresh Food Columns



T24IR905SP	T30IR905SP	T36IR905SP
24-Inch	30-Inch	36-Inch
Reversible Door Swing	Reversible Door Swing	Reversible Door Swing
Build Your Custom Column	Build Your Custom Column	Build Your Custom Column

## Freezer Columns with External Dispenser

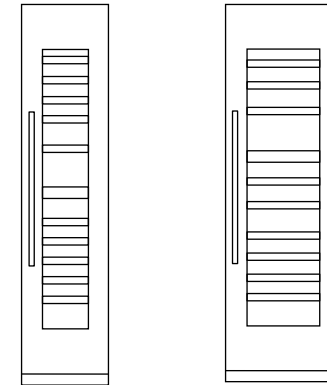


T18ID905LP	T18ID905RP	T24ID905LP	T24ID905RP
18-Inch	18-Inch	24-Inch	24-Inch
External Ice & Water Dispenser	External Ice & Water Dispenser	External Ice & Water Dispenser	External Ice & Water Dispenser
Left-Hand Door Swing	Right-Hand Door Swing	Left-Hand Door Swing	Right-Hand Door Swing
Build Your Custom Column	Build Your Custom Column	Build Your Custom Column	Build Your Custom Column

# Appliance Overview – Columns

FREEDOM® COLLECTION

## Wine Preservation Columns

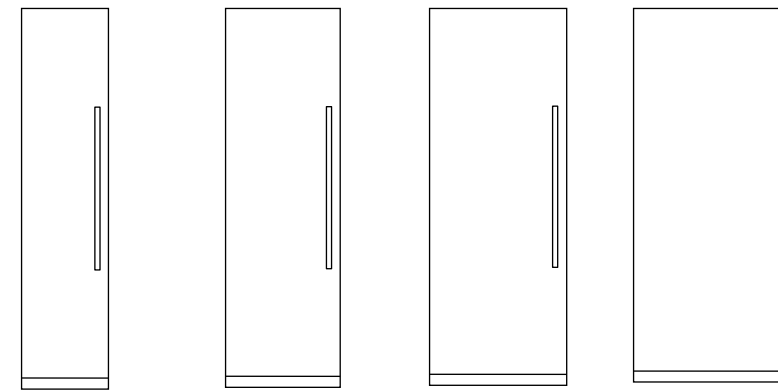


T18IW905SP	T24IW905SP
18-Inch	24-Inch
Reversible Door Swing	Reversible Door Swing
Build Your Custom Column	Build Your Custom Column

### ★ Planning Tip

A Frame Kit enables installation of all Freedom Columns in 24-inch deep cutouts. See page 241 for details.

## Freezer Columns with Internal Ice Maker



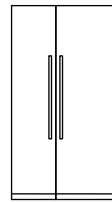
T18IF905SP	T24IF905SP	T30IF905SP	T36IF905SP
18-Inch	24-Inch	30-Inch	36-Inch
Internal Ice Maker	Internal Ice Maker	Internal Ice Maker	Internal Ice Maker
Reversible Door Swing	Reversible Door Swing	Reversible Door Swing	Reversible Door Swing
Build Your Custom Column	Build Your Custom Column	Build Your Custom Column	Build Your Custom Column

# Common Configurations

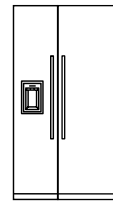
FREEDOM® COLLECTION

The Thermador® Freedom® Collection uses independent columns that create unlimited flexibility in both function and design. Some suggested pairings are listed below. A special kit is included with all freezer columns to simplify traditional side-by-side refrigerator / freezer combinations. When combining two appliances where one is not a freezer column or if any two units are installed less than 6" (152 mm) apart from one another but not connected side-by-side, always use the Heater Kit (HEATRKIT20) to guard against damaging condensation build-up.

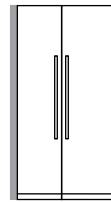
## 42-Inch



18-Inch Freezer Column  
T18IF905SP  
24-Inch Fresh Food Column  
T24IR905SP

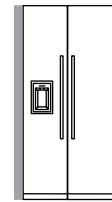


18-Inch Freezer Column  
T18ID905LP  
24-Inch Fresh Food Column  
T24IR905SP



18-Inch Freezer Column  
T18IF905SP  
24-Inch Fresh Food Column  
T24IR905SP

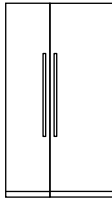
Shown with  
FRAMEKIT10



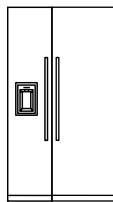
18-Inch Freezer Column  
T18ID905LP  
24-Inch Fresh Food Column  
T24IR905SP

Shown with  
FRAMEKIT10

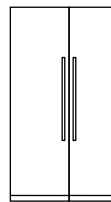
## 48-Inch



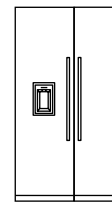
18-Inch Freezer Column  
T18IF905SP  
30-Inch Fresh Food Column  
T30IR905SP



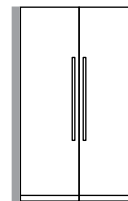
18-Inch Freezer Column  
T18ID905LP  
30-Inch Fresh Food Column  
T30IR905SP



24-Inch Freezer Column  
T24IF905SP  
24-Inch Fresh Food Column  
T24IR905SP

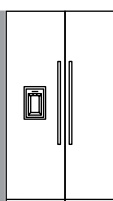


24-Inch Freezer Column  
T24ID905LP  
24-Inch Fresh Food Column  
T24IR905SP



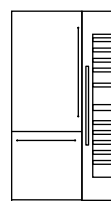
24-Inch Freezer Column  
T24IF905SP  
24-Inch Fresh Food Column  
T24IR905SP

Shown with  
FRAMEKIT10



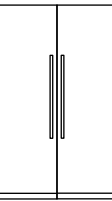
24-Inch Freezer Column  
T24IF905SP  
24-Inch Fresh Food Column  
T24IR905SP

Shown with  
FRAMEKIT10

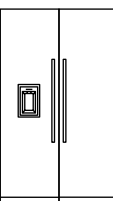


30-Inch\* 2-Door Bottom Freezer  
T30IB100SP  
18-Inch\* Wine Preservation Column  
T18IW905SP

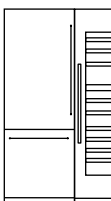
## 54-Inch



24-Inch Freezer Column  
T24IF905SP  
30-Inch Fresh Food Column  
T30IR905SP

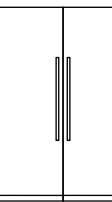


24-Inch Freezer Column  
T24ID905LP  
30-Inch Fresh Food Column  
T30IR905SP



30-Inch\* 2-Door Bottom Freezer  
T30IB100SP  
24-Inch\* Wine Preservation Column  
T24IW905SP

## 60-Inch



30-Inch Freezer Column  
T30IF905SP  
30-Inch Fresh Food Column  
T30IR905SP



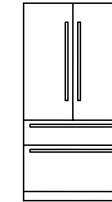
30-Inch\* 2-Door Bottom Freezer  
T30IB100SP  
30-Inch\* 2-Door Bottom Freezer  
T30IB100SP

# Common Configurations

FREEDOM® COLLECTION

You don't need to remodel your kitchen to enjoy complete personalization. The new Thermador bottom freezer refrigerators perfectly fit into predetermined spaces—without the need to adjust existing cabinetry.

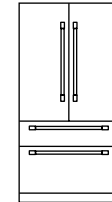
## 42-Inch (41.5-Inch Predetermined Spaces / Replacement Installation)



42-Inch Built-In French Door Bottom Freezer Refrigerator, 2 Drawer, Panel-Ready  
T42IT100NP



42-Inch Built-In French Door Bottom Freezer Refrigerator, 2 Drawer, Pre-Assembled, Masterpiece®  
Collection Handles  
T42BT110NS



42-Inch Built-In French Door Bottom Freezer Refrigerator, 2 Drawer, Pre-Assembled, Professional  
Collection Handles  
T42BT120NS

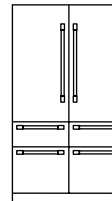
## 48-Inch (47.5-Inch Predetermined Spaces / Replacement Installation)



48-Inch Built-In French Door Bottom Freezer Refrigerator, 4 Drawer, Panel-Ready  
T48IT100NP

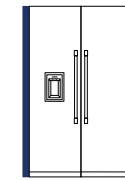


48-Inch Built-In French Door Bottom Freezer Refrigerator, 4 Drawer, Pre-Assembled, Masterpiece®  
Collection Handles  
T48BT110NS



48-Inch Built-In French Door Bottom Freezer Refrigerator, 4 Drawer, Pre-Assembled, Professional  
Collection Handles  
T48BT120NS

## Installation Accessories



**Freedom® Frame Kit**  
FRAMEKIT10

For any custom column installation in 24-inch deep cutouts. With two metal side trims whose placement between the interior cutout wall and the appliance helps overcome the challenge of unfinished cabinet returns.



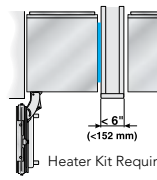
**Freedom® Frame Kit**  
FRAMEKIT30

For use with Bottom Freezers T30IB100SP, T36IB100SP, T36IT100NP, T42IT100NP, T48IT100NP



**Side-by-Side Installation Kit**  
COMBIKIT10

For use with Bottom Freezers T30IB100SP, T36IB100SP, T36IT100NP, T42IT100NP, T48IT100NP, T36BB120SS, T36BT120NS, T42BT120NS, T48BT120NS, T36BB110SS, T36BT110NS, T42BT110NS, T48BT110NS  
Combination kit for use when installing two bottom freezer refrigerators side-by-side.



**Freedom® Heater Kit**  
HEATRKIT20 – 13W @ 120V

For use with Freezer Columns T18ID905LP, T18ID905RP, T18IF905SP, T24ID905LP, T24ID905RP, T30IF905SP, T36IF905SP, Fresh Food Columns T24IR905SP, T30IR905SP, T36IR905SP and Wine Preservation Columns T18IW905SP, T24IW905SP  
Low voltage heating element designed to guard against condensation build up. For use with non-traditional side-by-side installations (i.e. two wine columns) or instances where appliances are installed less than 6-inches (152 mm) apart from one another but not connected side-by-side. This kit is recommended for areas that are subject to high humidity or located next to an outside wall.

\*Requires Heater Kit HEATRKIT20

# Planning Information – Bottom Freezers

FREEDOM® COLLECTION

## Installation Considerations

### Location

The appliance should be installed in a dry, ventilated room. It may not be installed outdoors. The ambient temperature of the room must be between 55°F (13°C) and 100°F (43°C).

The appliance should not be exposed to constant direct sunlight or excessive heat. If installation next to a heat source, such as an oven, radiator, etc. is unavoidable, observe the following minimum distances from the heat source:

- 1 1/4" (30 mm) from an electric or gas cooking appliance,
- 11 13/16" (300 mm) from an oil or solid-fuel cooking appliance.

### Installation and Cutout Dimensions

Please see pages 165–181 for complete cutout planning information.

It is important to observe the specified dimensions of the installation cutout for a trouble-free installation of the appliance and for the subsequent appearance of the door panel.

- In particular ensure that the cutout is square. Squareness can be checked by suitable means, e.g. spirit level, diagonal measurements, etc.
- The side walls of the cutout must be flush. The minimum thickness of the side and top walls is 5/8" (16 mm). The minimum thickness of toe-kick panel is 1/4" (6 mm).

### Furniture / Fixtures

During installation, the appliance is fastened to adjacent and overhead furniture / fixtures and it is therefore essential that all such furniture / fixtures are well secured to the substructure or adjacent wall.

## Electrical Specifications

The appliance comes with a 3-wire power supply cord. UL listed in the USA. Each appliance requires a separate 110-120 V, 60 Hz, 3-wire receptacle that is fitted with a 15 Amp fuse or higher.

## Water Connection Requirements

- A shut-off valve must be installed on the water connection and be freely accessible following installation of the appliance.
- Make sure that the water pressure in the water supply system is at least 29 psi (200 kPa) and max. 116 psi (800 kPa). If the water pressure exceeds the maximum value specified, a pressure-reducing valve must be installed between the drinking water connection and the hose set of the appliance.

### Flooring / Substructure

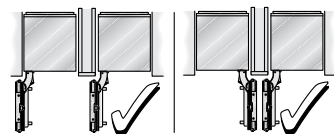
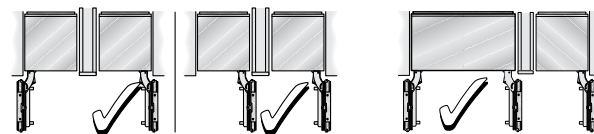
On account of the heavy weight of a fully loaded appliance, a load-bearing substructure is required. To ensure correct installation and function, the support must be flat, level and made of hard, rigid material. If in doubt, contact an architect or a building expert.

Refer to the following table for load-bearing capacity:

Appliance	Load Bearing Capacity
30-Inch Bottom Freezer, 2 Door	1,135 lbs. / 515 kg
36-Inch Bottom Freezer, 2 Drawer	1,202.84 lbs. / 545.59 kg
36-Inch Bottom Freezer, 2 Drawer, French Door	1,378.44 lbs. / 625.24 kg
42-Inch Bottom Freezer, 2 Drawer, French Door	1,493.63 lbs. / 677.49 kg
48-Inch Bottom Freezer, 4 Drawer, French Door	1,679.81 lbs. / 761.94 kg

## Side by Side Appliance Installation

A bottom freezer refrigerator and another column refrigeration appliance (ie. Wine Preservation Column) can be installed together only if a partition—minimum 5/8" (16 mm) is placed between the two appliances. Ensure that the door panel thickness (including handles) as well as the swivel range are accounted for to prevent damage if the doors are opened at the same time.



# Door Panel Dimensions – Bottom Freezers

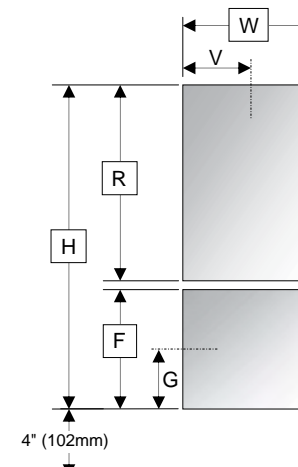
FREEDOM® COLLECTION

Each panel-ready bottom freezer is designed to be equipped with a decorative, custom door panel. The table below illustrates the dimensions that can be used as a guide in creating custom panels. At 79 7/8" (2029 mm) tall, they are designed for a toe-kick height of 4" (102 mm), and a total cutout height of 84" (2134 mm) yielding 1/8" (3 mm) reveals. At 3/4" (19 mm) deep, they are designed to attach to the 24" (610 mm) deep appliance for an overall depth of 24 3/4" (629 mm).

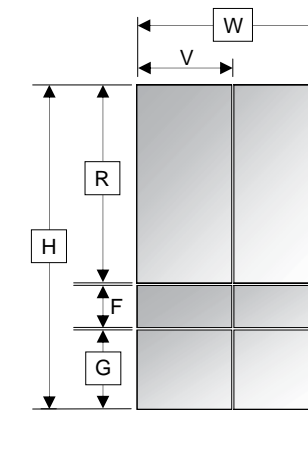
When using custom panels, always ensure that the panel reverse is finished to match the exterior, as parts of the panel reverse will be visible when the refrigerator door is opened.

**IMPORTANT:** While these sketches can serve as a general guide in planning panel dimensions, the correct panel dimensions are dictated by design choices including style and dimensions of surrounding kitchen cabinetry, case and toe-kick height, etc. Please ensure careful planning based on the specific kitchen design.

Bottom Freezer



4 Drawer Bottom Freezer



DESCRIPTION	H	W	V	R	F	G	MAX. PANEL WEIGHT
30-Inch 2 Door Bottom Freezer	79 7/8" (2029 mm)	29 3/4" (756 mm)	—	51 3/8" (1305 mm)	28 7/16" (722 mm)	—	Refrigerator: 90 lbs. (41 kg) Freezer: 20 lbs. (9 kg)
36-Inch 2 Drawer Bottom Freezer	79 7/8" (2029 mm)	35 3/4" (908 mm)	—	49 7/16" (1255 mm)	10 1/2" (266 mm)	19 3/4" (502 mm)	Door: 103 lbs. (47 kg) Top Drawer: 121 lbs. (55 kg) Bottom Drawer: 66 lbs. (30 kg)
36-Inch 2 Drawer French Door	79 7/8" (2029 mm)	35 3/4" (908 mm)	17 13/16" (452 mm)	49 7/16" (1255 mm)	10 1/2" (266 mm)	19 3/4" (502 mm)	Door: 141 lbs. (64 kg) Top Drawer: 121 lbs. (55 kg) Bottom Drawer: 66 lbs. (30 kg)
42-Inch 2 Drawer French Door	79 7/8" (2029 mm)	41 3/4" (1061 mm)	20 13/16" (529 mm)	49 3/8" (1255 mm)	10 1/2" (266 mm)	19 3/4" (502 mm)	Door: 125 lbs. per Panel (57 kg) Top Drawer: 97 lbs. (44 kg) Bottom Drawer: 44 lbs. (20 kg)
48-Inch 4 Drawer French Door	79 7/8" (2029 mm)	47 3/4" (1213 mm)	23 13/16" (605 mm)	49 3/8" (1255 mm)	10 1/2" (266 mm)	19 3/4" (502 mm)	Door: 156 lbs. per Panel (71 kg) Top Drawer: 35 lbs. (16 kg) Bottom Drawer: 37 lbs. (17 kg)

Visit Thermador.com for complete specifications or text a Thermador model number to 21432 to have specs sent to your phone

# Installation – Bottom Freezers

FREEDOM® COLLECTION

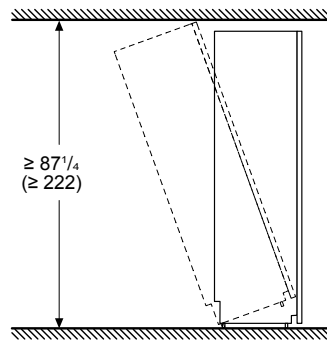
## Tipping Radius Clearances

### Planning Notes

Be sure there is adequate ceiling height to stand the refrigerator upright when it is moved into place. The dolly wheel height must be added to the tipping radius when a dolly is used.

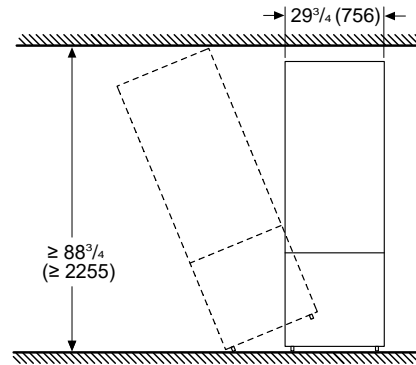
### All Built-in Bottom Freezers

Measurements in inches (mm)  
Front Tipping Radius



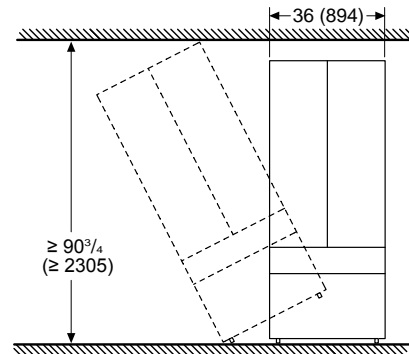
### 30-Inch Built-in Bottom Freezers

Measurements in inches (mm)  
Side Tipping Radius



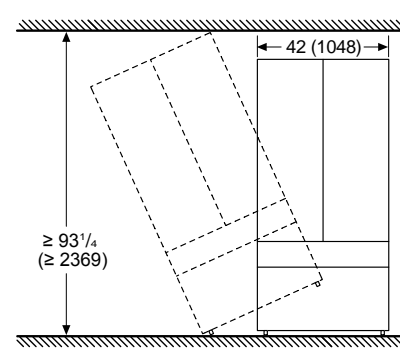
### 36-Inch Built-in Bottom Freezers

Measurements in inches (mm)  
Side Tipping Radius



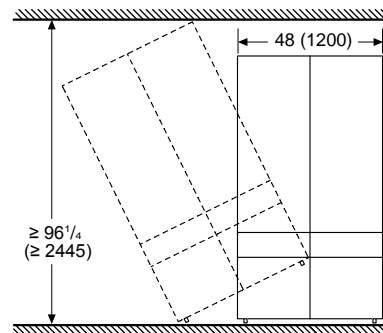
### 42-Inch Built-in Bottom Freezers

Measurements in inches (mm)  
Side Tipping Radius



### 48-Inch Built-in Bottom Freezers

Measurements in inches (mm)  
Side Tipping Radius



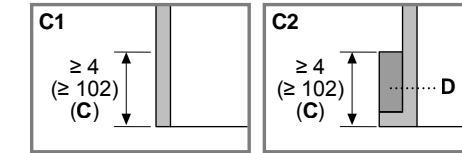
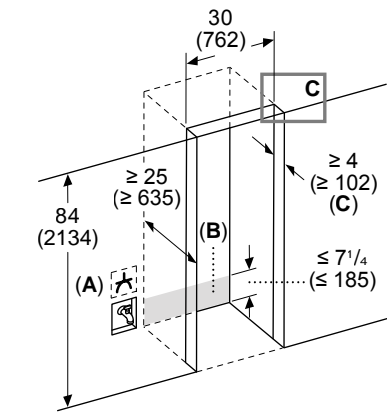
# Installation – Bottom Freezers

FREEDOM® COLLECTION

## 30-Inch Built-In 2-Door Bottom Freezer – T30IB100SP

### Cutout Dimensions

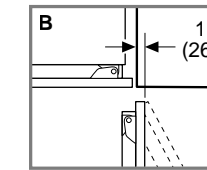
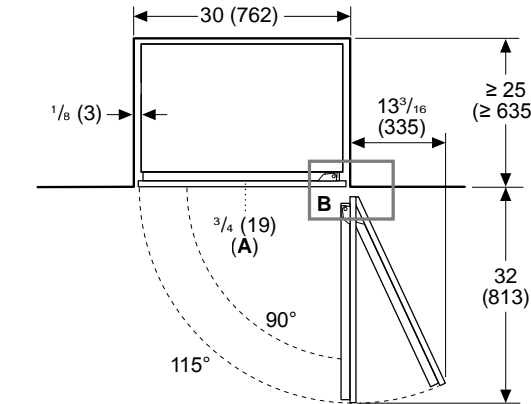
Measurements in inches (mm)



- A: Socket
- B: Area for water and electric line routing
- C: Furniture return
  - C1: Frameless cabinet
  - C2: Framed cabinet
- D: Filler

### Top View Clearance

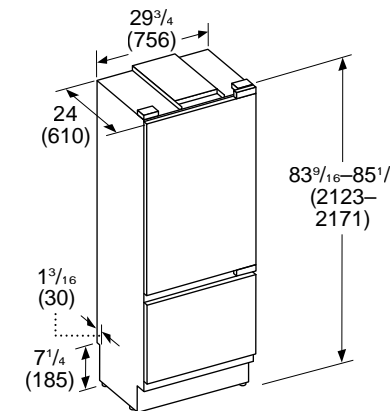
Measurements in inches (mm)



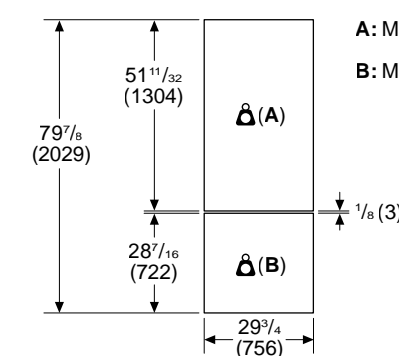
A: Panel

### Product and Panel Dimensions

Measurements in inches (mm)



Measurements in inches (mm)



- A: Max. weight 133 lb (60.4 kg) per panel
- B: Max. weight 38 lb (17.2 kg) per panel

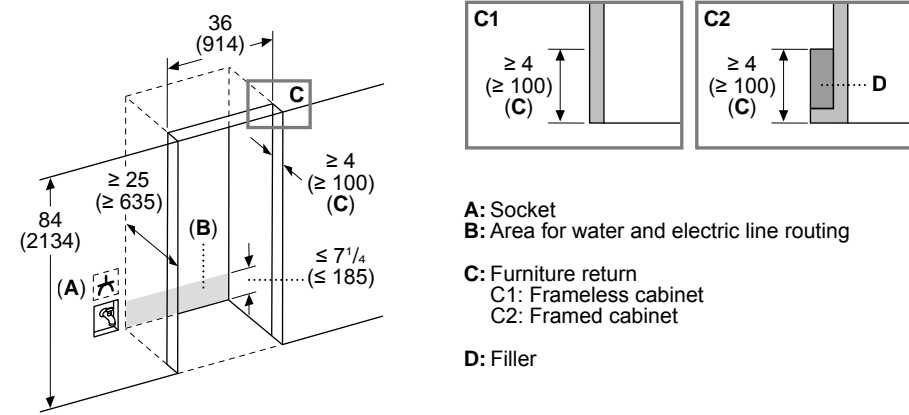
# Installation – Bottom Freezers

FREEDOM® COLLECTION

## 36-Inch Built-In 2 Drawer Bottom Freezer – T36IB100SP

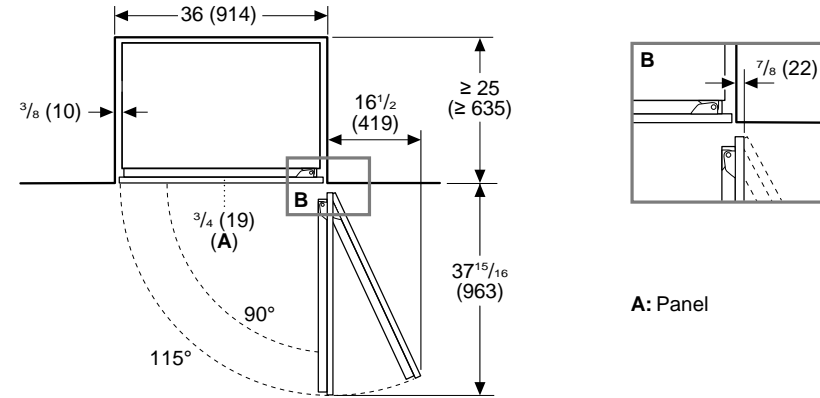
### Cutout Dimensions

Measurements in inches (mm)



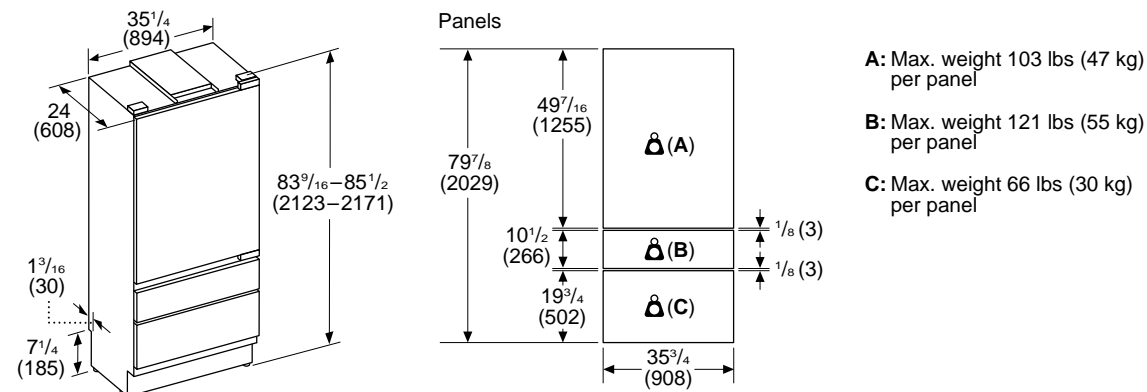
### Top View Clearance

Measurements in inches (mm)



### Product and Panel Dimensions

Measurements in inches (mm)



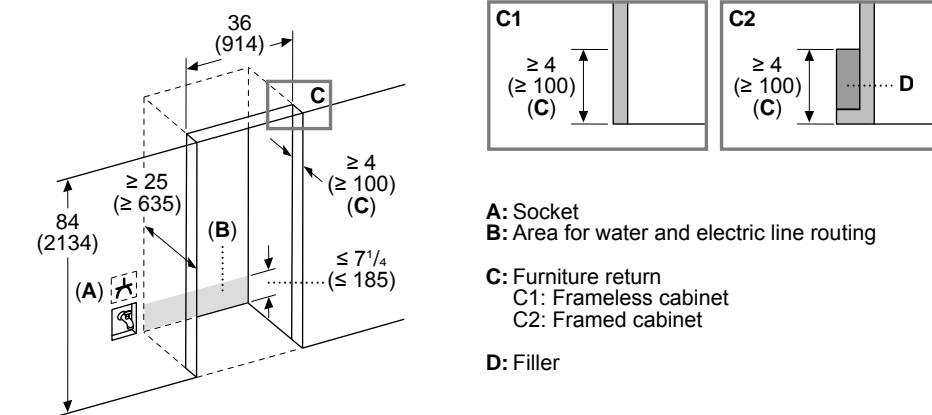
# Installation – Bottom Freezers

FREEDOM® COLLECTION

## 36-Inch Built-In French Door Bottom Freezer – T36IT100NP

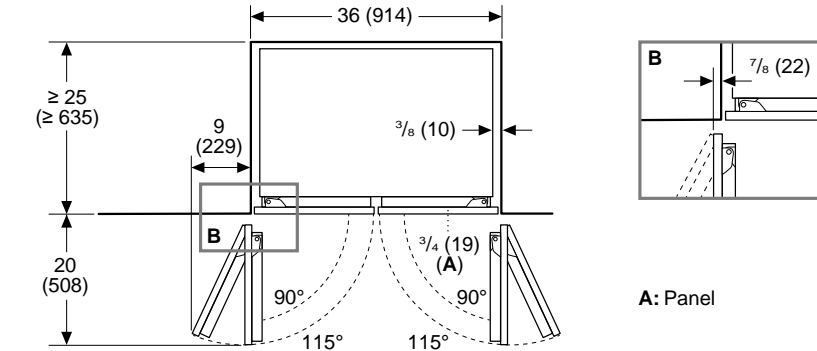
### Cutout Dimensions

Measurements in inches (mm)



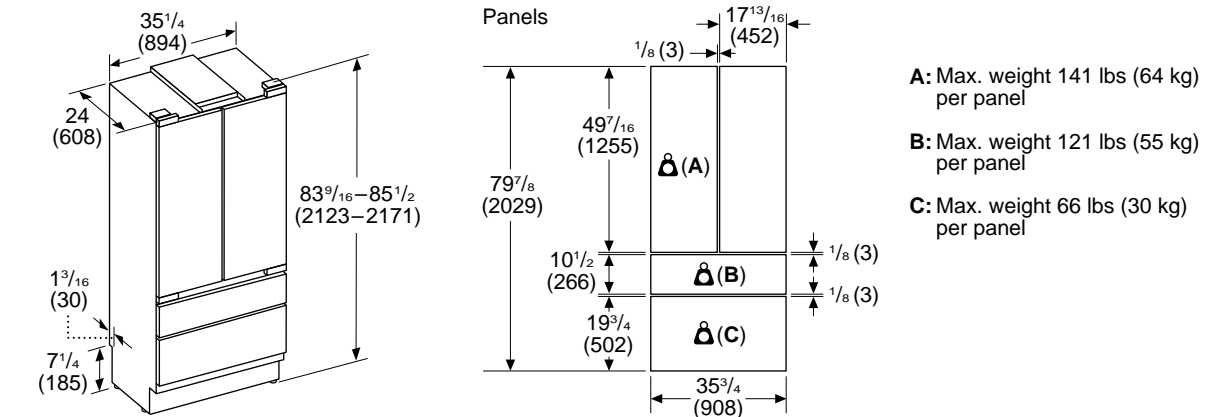
### Top View Clearance

Measurements in inches (mm)



### Product and Panel Dimensions

Measurements in inches (mm)



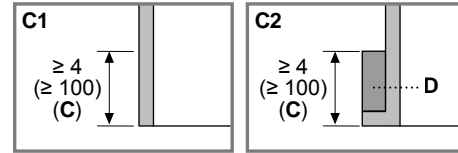
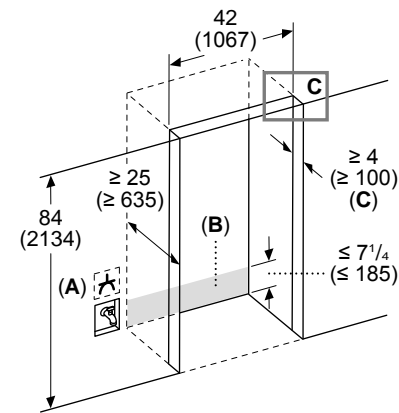
# Installation – Bottom Freezers

FREEDOM® COLLECTION

## 42-Inch 2 Drawer Bottom Freezer – T42IT100NP

### Cutout Dimensions

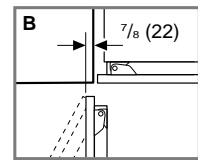
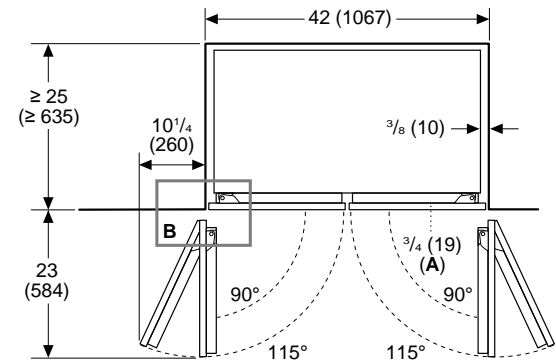
Measurements in inches (mm)



- A: Socket
- B: Area for water and electric line routing
- C: Furniture return  
C1: Frameless cabinet  
C2: Framed cabinet
- D: Filler

### Top View Clearance

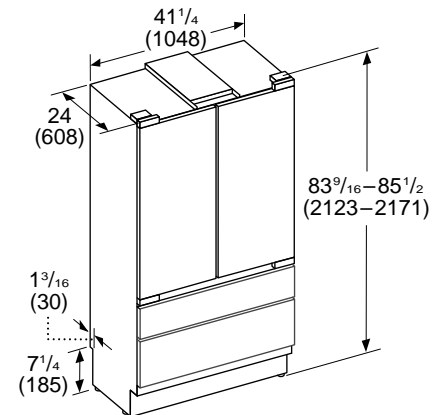
Measurements in inches (mm)



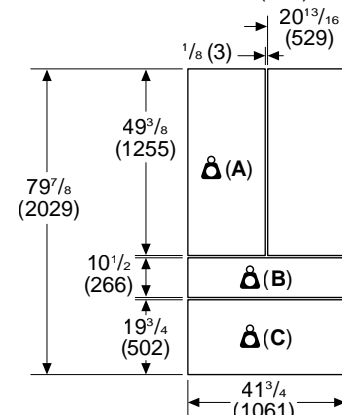
A: Panel

### Product and Panel Dimensions

Measurements in inches (mm)



Measurements in inches (mm)



- A: Max. weight 125 lb (57 kg) per panel
- B: Max. weight 97 lb (44 kg) per panel
- C: Max. weight 44 lb (20 kg) per panel

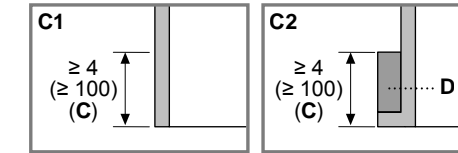
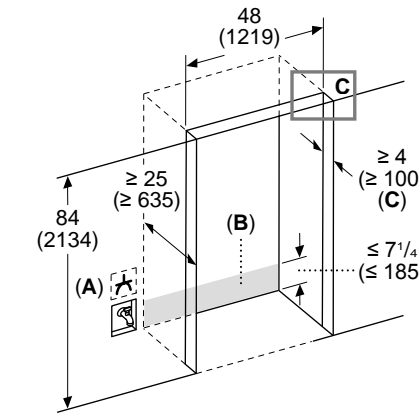
# Installation – Bottom Freezers

FREEDOM® COLLECTION

## 48-Inch 4 Drawer Bottom Freezer – T48IT100NP

### Cutout Dimensions

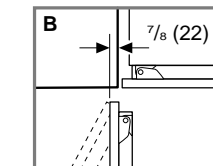
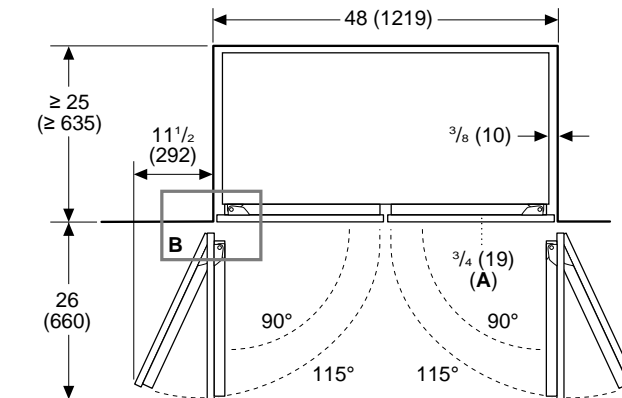
Measurements in inches (mm)



- A: Socket
- B: Area for water and electric line routing
- C: Furniture return  
C1: Frameless cabinet  
C2: Framed cabinet
- D: Filler

### Top View Clearance

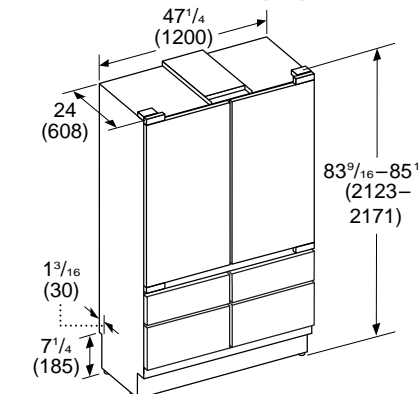
Measurements in inches (mm)



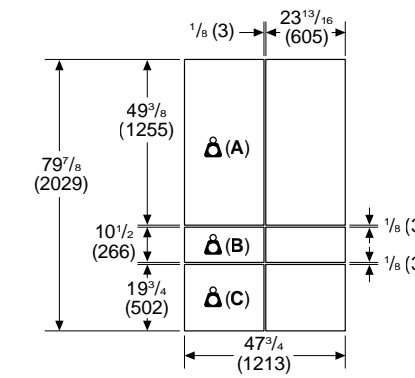
A: Panel

### Product and Panel Dimensions

Measurements in inches (mm)



Measurements in inches (mm)



- A: Max. weight 156 lb (71 kg) per panel
- B: Max. weight 35 lb (16 kg) per panel
- C: Max. weight 37 lb (17 kg) per panel

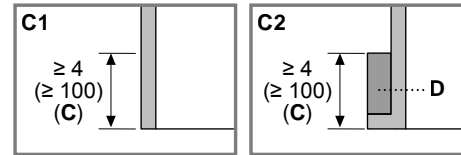
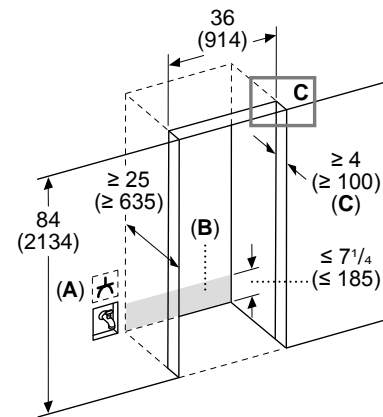
# Installation – Bottom Freezers

FREEDOM® COLLECTION

## 36-Inch Pre-Assembled Built-In 2 Drawer Bottom Freezers – T36BB120SS / T36BB110SS

### Cutout Dimensions – Flush Installation

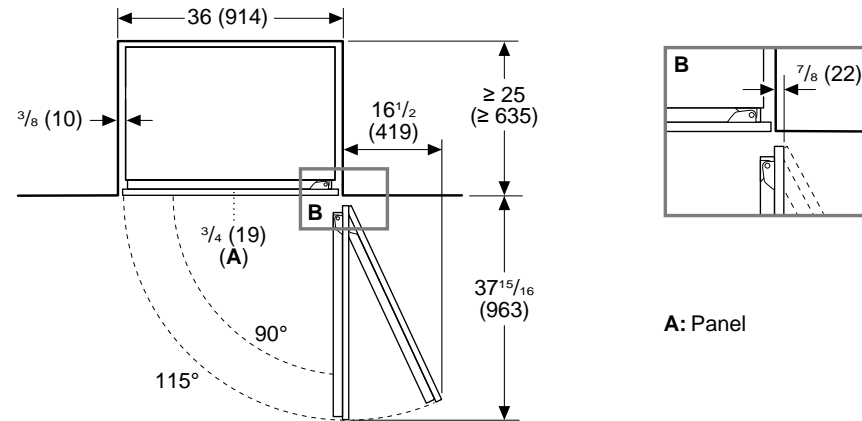
Measurements in inches (mm)



- A: Socket
- B: Area for water and electric line routing
- C: Furniture return  
C1: Frameless cabinet  
C2: Framed cabinet
- D: Filler

### Top View Clearance – Flush Installation

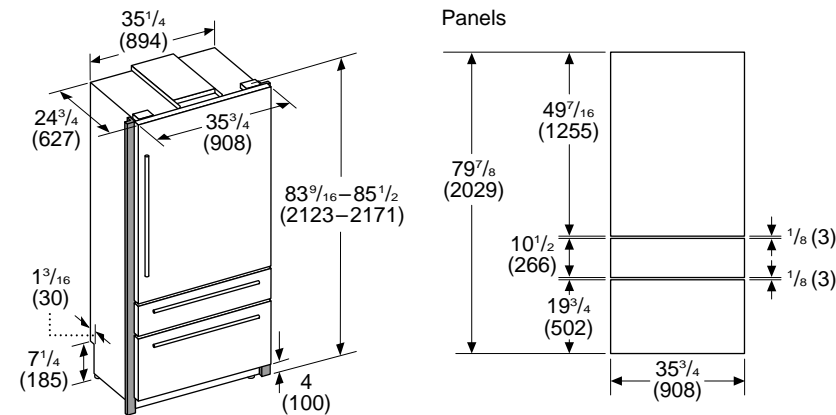
Measurements in inches (mm)



A: Panel

### Product and Panel Dimensions – Flush Installation

Measurements in inches (mm)



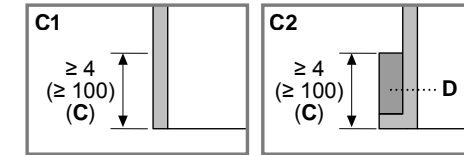
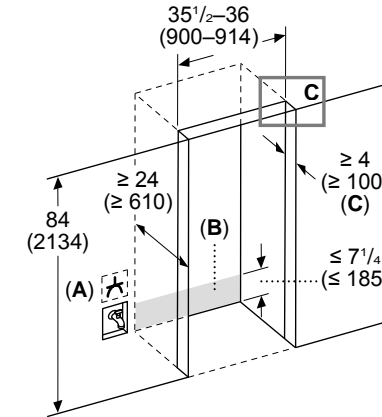
# Installation – Bottom Freezers

FREEDOM® COLLECTION

## 36-Inch Pre-Assembled Built-In 2 Drawer Bottom Freezers – T36BB120SS / T36BB110SS

### Cutout Dimensions – Proud Installation

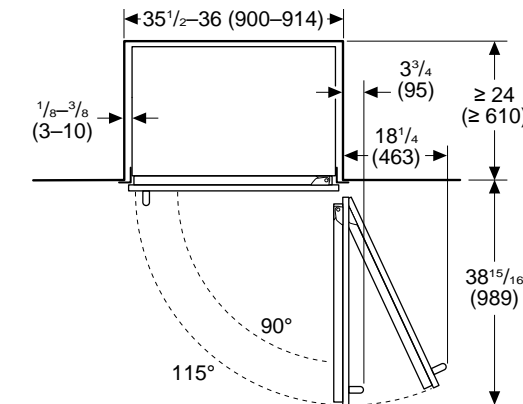
Measurements in inches (mm)



- A: Socket
- B: Area for water and electric line routing
- C: Furniture return  
C1: Frameless cabinet  
C2: Framed cabinet
- D: Filler

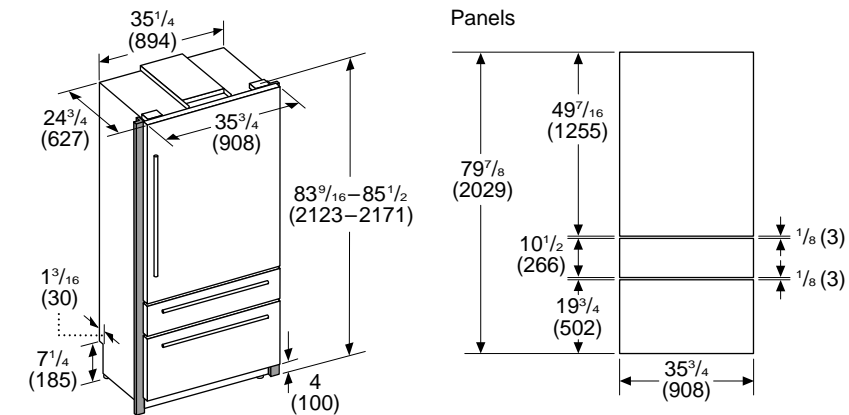
### Top View Clearance – Proud Installation

Measurements in inches (mm)



### Product and Panel Dimensions – Proud Installation

Measurements in inches (mm)



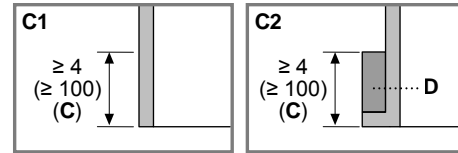
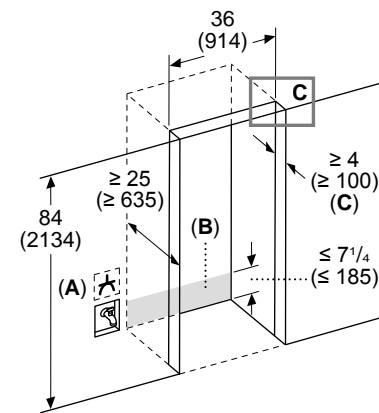
# Installation – Bottom Freezers

FREEDOM® COLLECTION

## 36-Inch Pre-Assembled Built-In 2 Drawer French Door Bottom Freezers – T36BT120NS / T36BT110NS

### Cutout Dimensions – Flush Installation

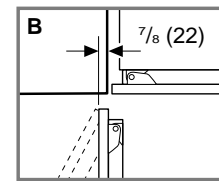
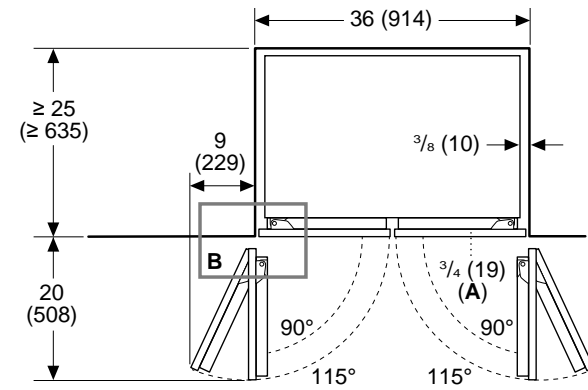
Measurements in inches (mm)



- A: Socket
- B: Area for water and electric line routing
- C: Furniture return  
C1: Frameless cabinet  
C2: Framed cabinet
- D: Filler

### Top View Clearance – Flush Installation

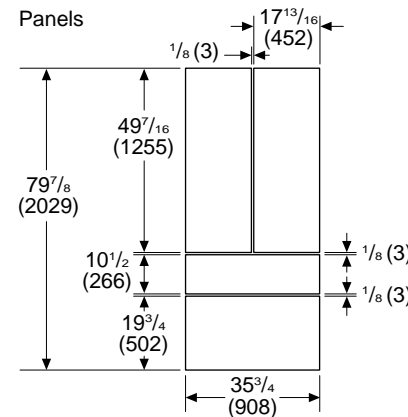
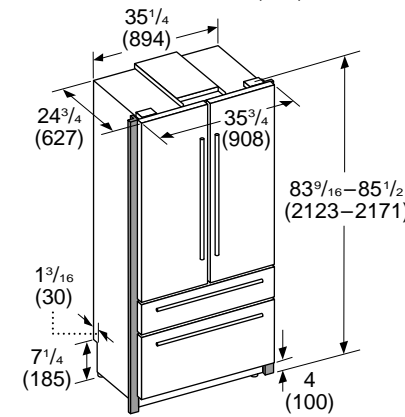
Measurements in inches (mm)



A: Panel

### Product and Panel Dimensions – Flush Installation

Measurements in inches (mm)



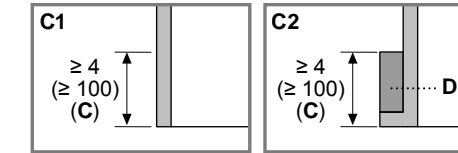
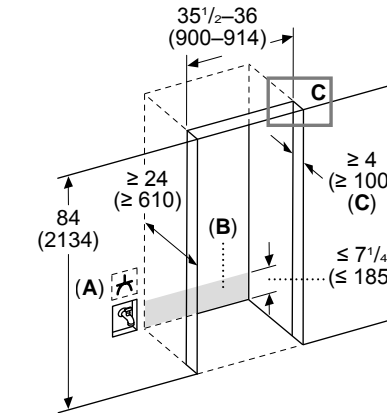
# Installation – Bottom Freezers

FREEDOM® COLLECTION

## 36-Inch Pre-Assembled Built-In 2 Drawer French Door Bottom Freezers – T36BT120NS / T36BT110NS

### Cutout Dimensions – Proud Installation

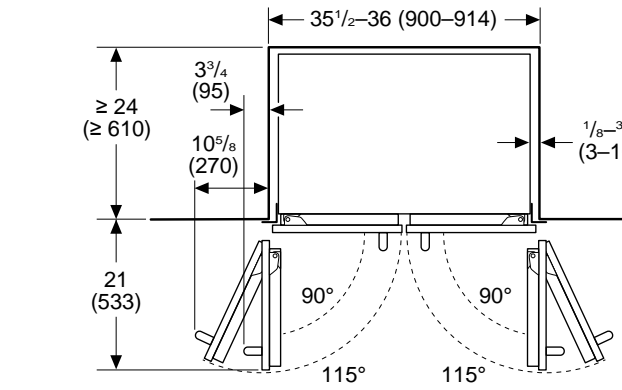
Measurements in inches (mm)



- A: Socket
- B: Area for water and electric line routing
- C: Furniture return  
C1: Frameless cabinet  
C2: Framed cabinet
- D: Filler

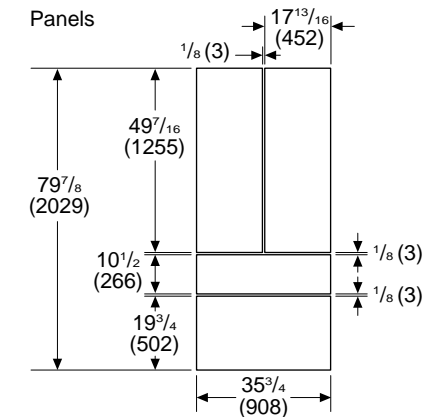
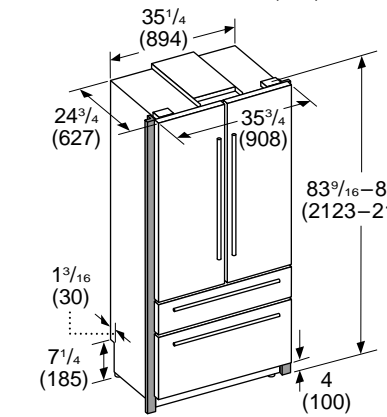
### Top View Clearance – Proud Installation

Measurements in inches (mm)



### Product and Panel Dimensions – Proud Installation

Measurements in inches (mm)



THERMADOR | FREEDOM® REFRIGERATION

THERMADOR | FREEDOM® REFRIGERATION

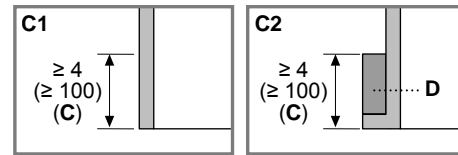
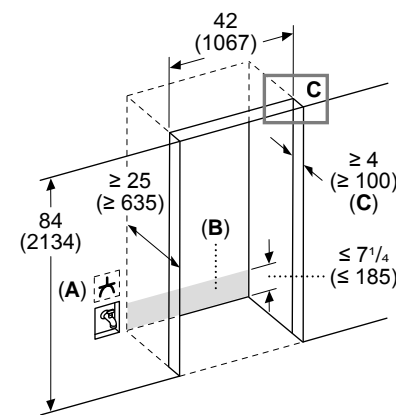
# Installation – Bottom Freezers

FREEDOM® COLLECTION

## 42-Inch Pre-Assembled Built-In 2 Drawer Bottom Freezers – T42BT120NS / T42BT110NS

### Cutout Dimensions – Flush Installation

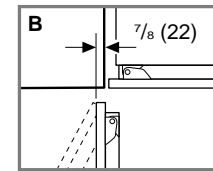
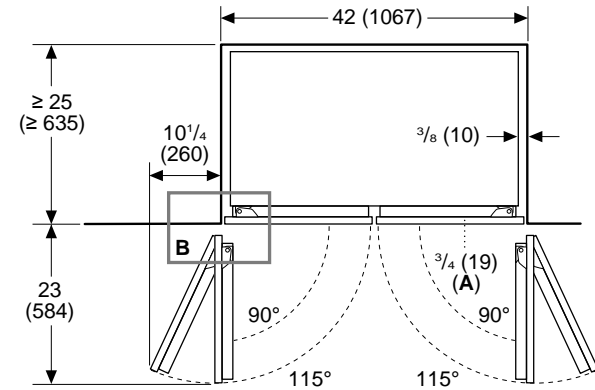
Measurements in inches (mm)



- A: Socket
- B: Area for water and electric line routing
- C: Furniture return  
C1: Frameless cabinet  
C2: Framed cabinet
- D: Filler

### Top View Clearance – Flush Installation

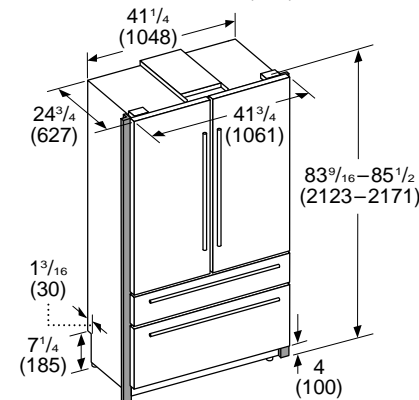
Measurements in inches (mm)



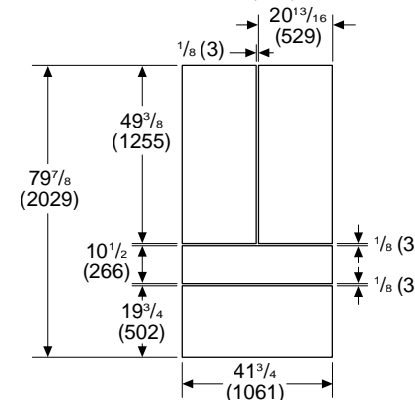
A: Panel

### Product and Panel Dimensions – Flush Installation

Measurements in inches (mm)



Measurements in inches (mm)



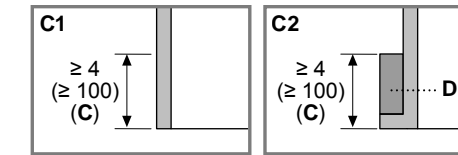
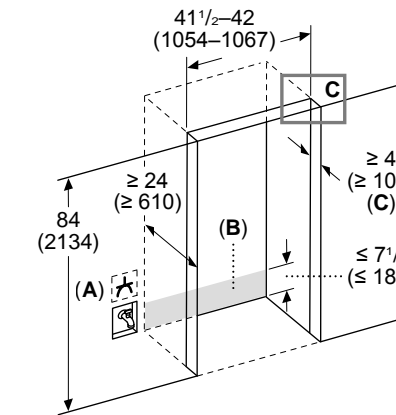
# Installation – Bottom Freezers

FREEDOM® COLLECTION

## 42-Inch Pre-Assembled Built-In 2 Drawer Bottom Freezers – T42BT120NS / T42BT110NS

### Cutout Dimensions – Proud Installation

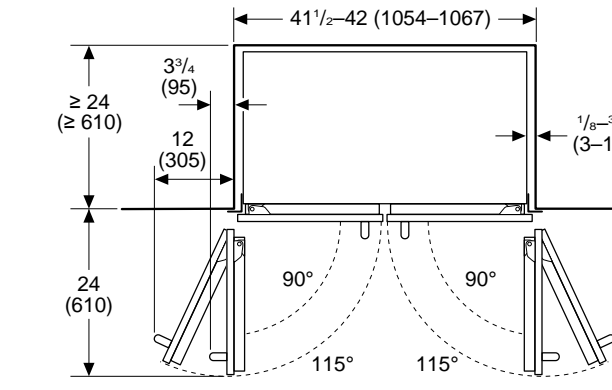
Measurements in inches (mm)



- A: Socket
- B: Area for water and electric line routing
- C: Furniture return  
C1: Frameless cabinet  
C2: Framed cabinet
- D: Filler

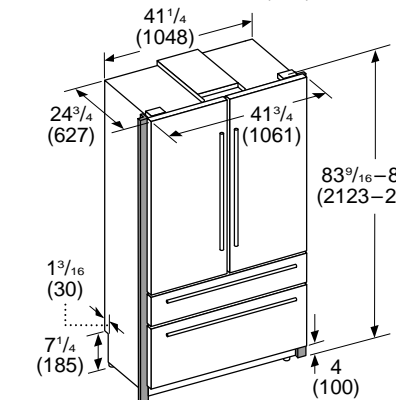
### Top View Clearance – Proud Installation

Measurements in inches (mm)

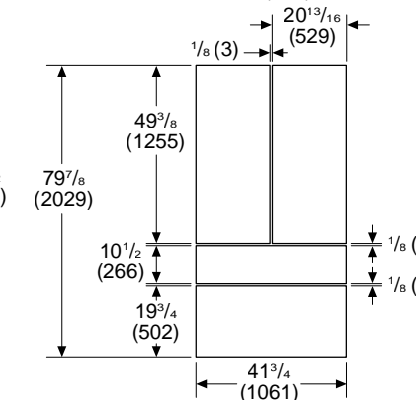


### Product and Panel Dimensions – Proud Installation

Measurements in inches (mm)



Measurements in inches (mm)



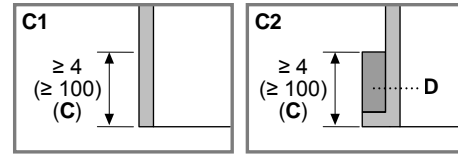
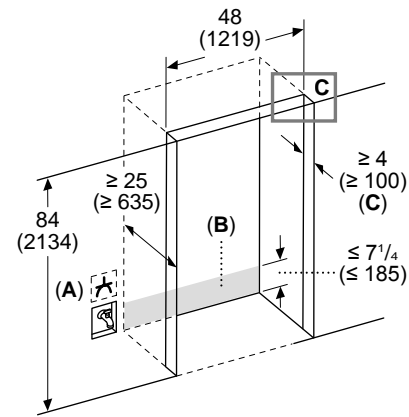
# Installation – Bottom Freezers

FREEDOM® COLLECTION

## 48-Inch Pre-Assembled Built-In 4 Drawer Bottom Freezers – T48BT120NS / T48BT110NS

### Cutout Dimensions – Flush Installation

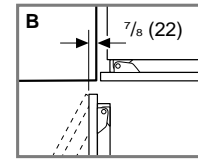
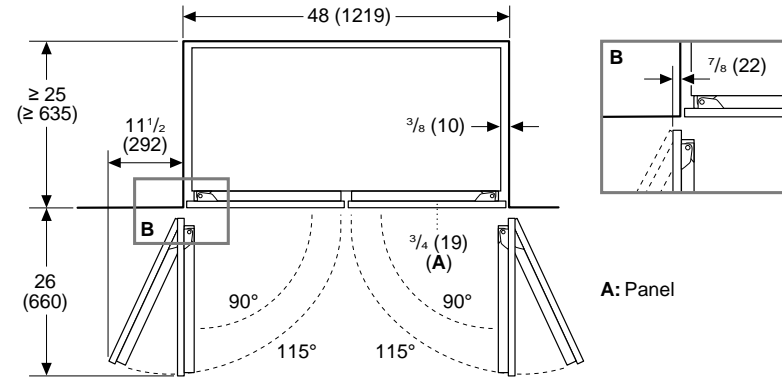
Measurements in inches (mm)



- A: Socket
- B: Area for water and electric line routing
- C: Furniture return  
C1: Frameless cabinet  
C2: Framed cabinet
- D: Filler

### Top View Clearance – Flush Installation

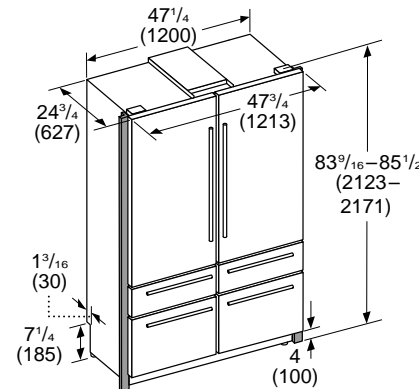
Measurements in inches (mm)



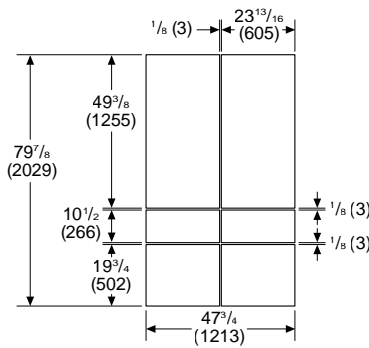
A: Panel

### Product and Panel Dimensions – Flush Installation

Measurements in inches (mm)



Measurements in inches (mm)



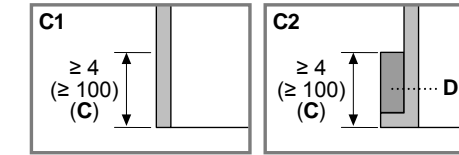
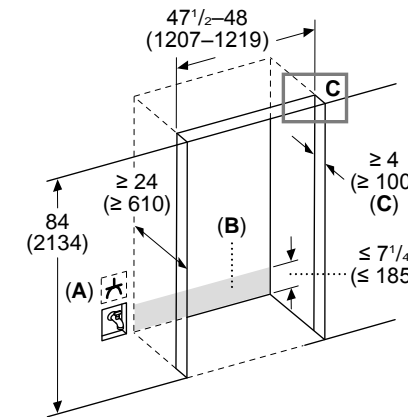
# Installation – Bottom Freezers

FREEDOM® COLLECTION

## 48-Inch Pre-Assembled Built-In 4 Drawer Bottom Freezers – T48BT120NS / T48BT110NS

### Cutout Dimensions – Proud Installation

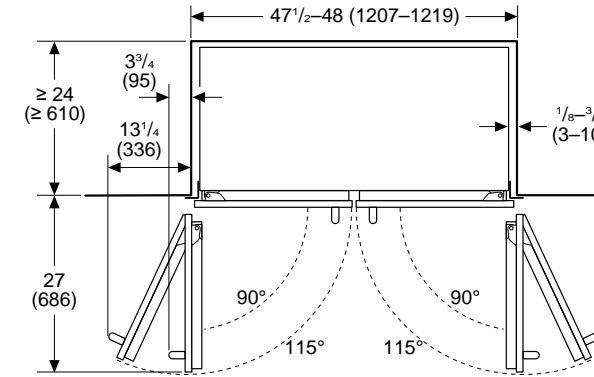
Measurements in inches (mm)



- A: Socket
- B: Area for water and electric line routing
- C: Furniture return  
C1: Frameless cabinet  
C2: Framed cabinet
- D: Filler

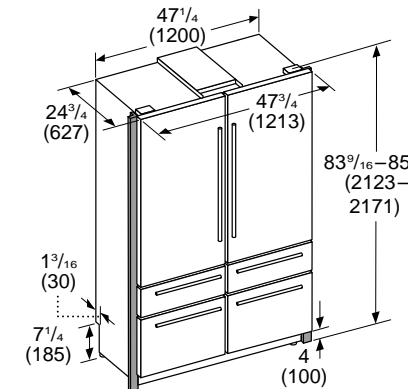
### Top View Clearance – Proud Installation

Measurements in inches (mm)

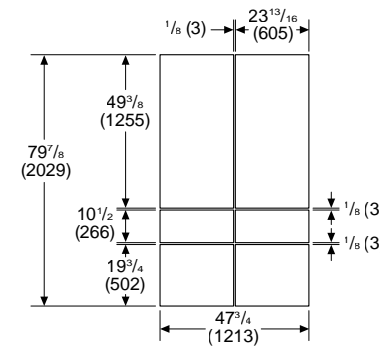


### Product and Panel Dimensions – Proud Installation

Measurements in inches (mm)



Measurements in inches (mm)



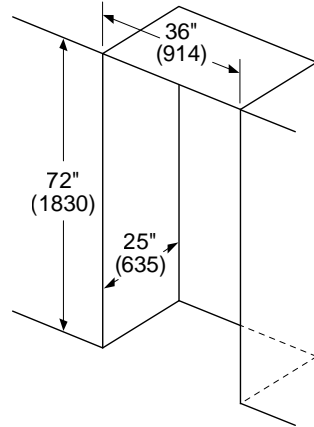
# Installation – Bottom Freezers

FREESTANDING FRENCH DOOR BOTTOM FREEZERS

## 36-Inch Stainless Steel Freestanding French Door Bottom Freezer with Professional Handles – T36FT820NS / T36FL821NS

### Cutout Dimensions

measurements in inches (mm)

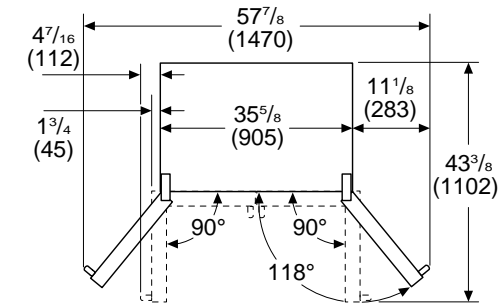


Leave ½" (12.7) gap at the top and 1" (25.4) behind the refrigerator for proper ventilation.

It is recommended that you do not install the refrigerator near a heat source such as a stove or a range.

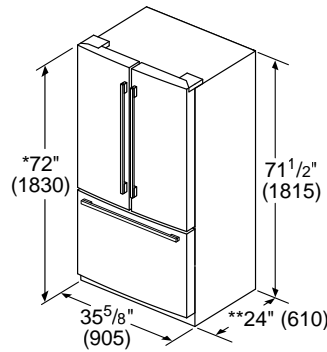
### Top View Clearance

Measurements in inches (mm)



Drawers can be pulled out with door open to 90°  
Drawers can be taken out with door completely opened

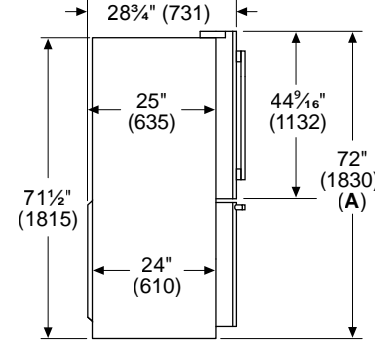
### Product and Panel Dimensions – T36FT820NS



\*Add 5/8" (17) with front leveling feet fully extended  
\*\*Add 1" (25) for fixed spacers on back

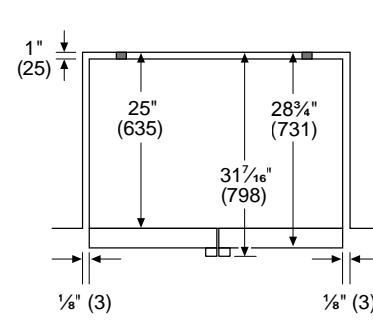
measurements in inches (mm)

Measurements in inches (mm)



A: Add 5/8" (17) with front leveling feet fully extended

Measurements in inches (mm)



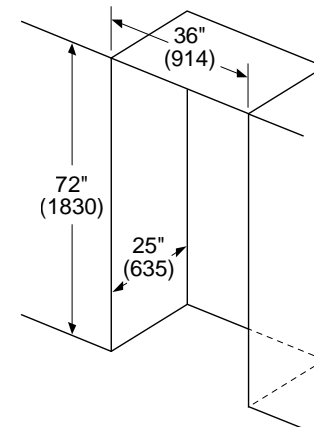
# Installation – Bottom Freezers

FREESTANDING FRENCH DOOR BOTTOM FREEZERS

## 36-Inch Stainless Steel Freestanding French Door Bottom Freezer with Masterpiece® Handles – T36FT810NS / T36FL810NS

### Cutout Dimensions

measurements in inches (mm)

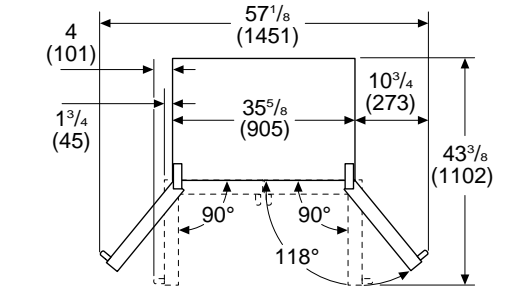


Leave ½" (12.7) gap at the top and 1" (25.4) behind the refrigerator for proper ventilation.

It is recommended that you do not install the refrigerator near a heat source such as a stove or a range.

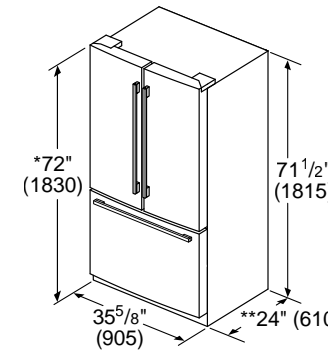
### Top View Clearance

Measurements in inches (mm)



Drawers can be pulled out with door open to 90°  
Drawers can be taken out with door completely opened

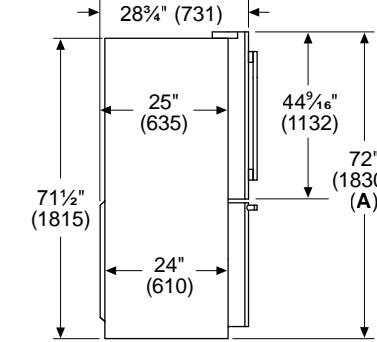
### Product and Panel Dimensions – T36FT810NS



\*Add 5/8" (17) with front leveling feet fully extended  
\*\*Add 1" (25) for fixed spacers on back

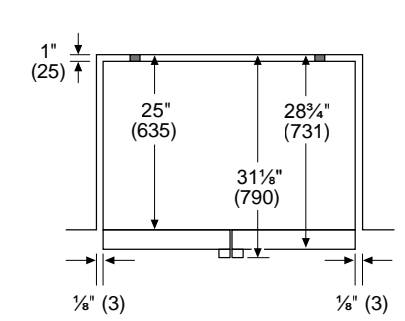
measurements in inches (mm)

Measurements in inches (mm)

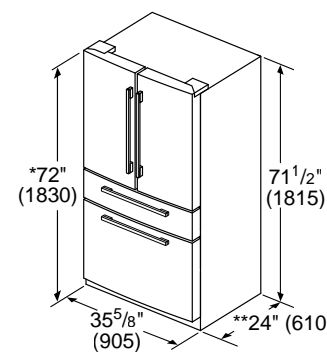


A: Add 5/8" (17) with front leveling feet fully extended

measurements in inches (mm)



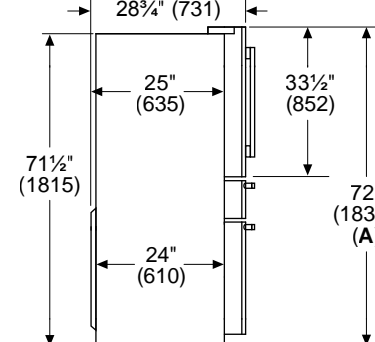
### Product and Panel Dimensions – T36FL821NS



\*Add 5/8" (17) with front leveling feet fully extended  
\*\*Add 1" (25) for fixed spacers on back

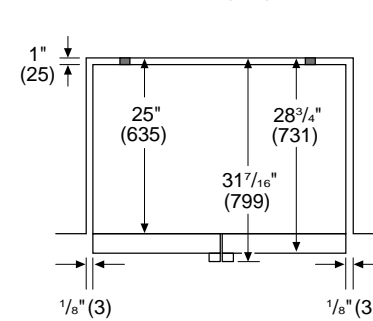
measurements in inches (mm)

Measurements in inches (mm)

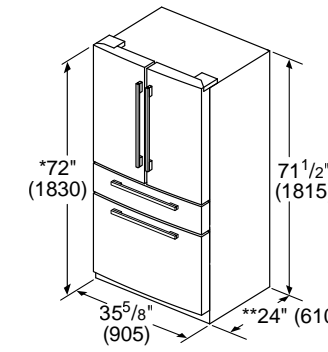


A: Add 5/8" (17) with front leveling feet fully extended

Measurements in inches (mm)



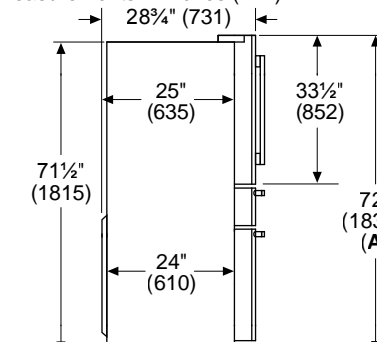
### Product and Panel Dimensions – T36FL810NS



\*Add 5/8" (17) with front leveling feet fully extended  
\*\*Add 1" (25) for fixed spacers on back

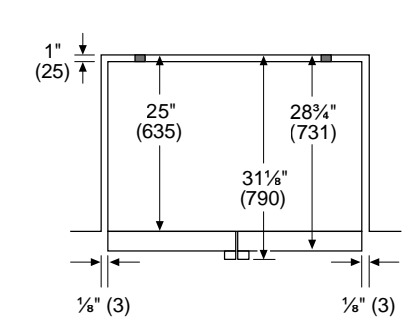
measurements in inches (mm)

Measurements in inches (mm)



A: Add 5/8" (17) with front leveling feet fully extended

measurements in inches (mm)



# Planning Checklist – Columns

FREEDOM® COLLECTION



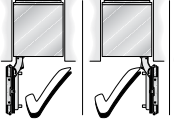
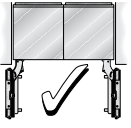
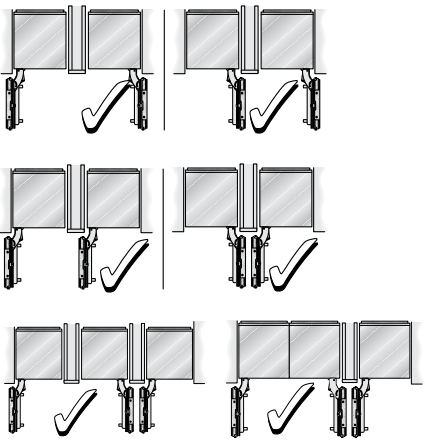
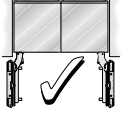
This custom product requires attention to the finest details. Did you remember to...?

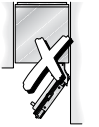

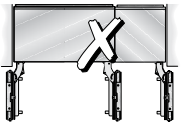
- Choose a desired configuration – side-by-side or stand-alone columns (See pages 160, 162–163 and 184–185 for details)
- Plan the cutout height(s) – 84" (See pages 188–191 for details)
- Plan the cutout width(s) – depends on configuration and column width (See pages 188–191 for details)
- Plan the cutout depth – 25" for North American style cabinets, 24" with installation frame accessory, 24" for European style cabinets (See pages 190–193 for details)
- Ensure the cutout interior (top and sides) is flush to the appliance at a depth of min. 4", preferably 6" from face frame (See pages 190–193 for details)
- Ensure the cutout interior returns (top and sides) are finished to match exterior at a depth of min. 4", preferably 6" from face frame (See pages 190–193 for details)
- Ensure proper clearance for appliance doors including handle(s) – check for interference with other appliances, open or closed cabinets and doors, nearby walls (See page 195 for details)
- Properly site the electrical outlet and (if applicable) water box (See pages 188–189 for details)
- Ensure the reverse of any custom panel is finished to match the exterior
- Choose the handle style – Professional, Masterpiece® or custom
- Choose the correct handle length. Typically, all columns would use a 36" handle. The 30" handle must be used on the 30" bottom freezer drawer.
- Choose the toe-kick style – stainless (included with appliance) or design custom toe-kick(s) (See page 194 for details)
- Procure the proper installation accessories – stainless steel frame kit (FRAMEKIT10) for framed installations in 24-inch deep cutouts, heater kit (HEATRKIT20) for installations where two appliances are installed side-by-side or instances where any appliances are installed less than 6" apart from another but not connected. The heater kit is also recommended for use with any installation in areas that are subject to humidity, or located next to an outside wall. (See page 163 for details)

# Installation Options – Columns

FREEDOM® COLLECTION

The Freedom® Collection offers a variety of installation possibilities\*. In some instances, special accessories are required.

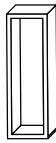


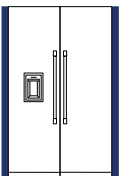
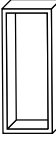
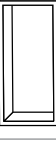
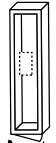
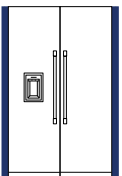
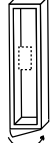
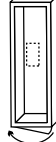
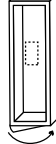
Recommended Installations	Considerations
Stand-Alone 	Any Freedom appliance can be installed as a stand-alone unit. Ensure a cutout flush to the appliance at a depth of minimum 4" (102 mm), preferably 6" (152 mm) on the top and sides.
Side-By-Side 	When two appliances are installed side-by-side a sealing kit must be used. For combinations that involve a freezer column, this kit is provided. For all other (non-traditional) side-by-side combinations or instances where any appliances are installed less than 6" (152 mm) apart from one another but not connected side-by-side, purchase the Heater Kit (HEATRKIT20).
Split Columns with Partition 	When dimensioning the partition, note the thickness of the door panel (including handles) as well as the swivel range to prevent damage if the doors are opened at the same time. (See page 195 for details on door swivel range dimensions)  Three appliances can be installed together only if a partition—minimum 5/8" (16 mm)—is placed between two of the appliances. Ensure that door panel thickness (including handles) as well as the swivel range are accounted for.
At The End of a Cabinetry Run 	All Freedom appliances must be completely enclosed on the top and sides. If one side of the appliance is visible, a decorative side panel must be used. The side panel must be connected firmly to the wall, the floor and any overhead furniture / fixtures before the appliance is placed in the cutout.

Recommended Installations	Concerns
	It is absolutely essential to ensure that the appliance is installed in such a way that the doors do not interfere with an adjacent wall or other kitchen elements. (See page 195 for details on door swivel range dimensions)
	A partition—minimum 5/8" (16 mm)—is required to ensure the doors do not interfere with one another when opened. Use a partition to separate appliances and observe the door swivel range. (See page 195 for details on door swivel range dimensions)
	A Thermador French Door Bottom Freezer cannot be connected side-by-side with any other appliance. Use a partition to separate appliances and observe the door swivel range. (See page 195 for details on door swivel range dimensions)

\*The Thermador warranty shall apply only to recommended installations.

# Building Your Custom Column

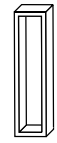


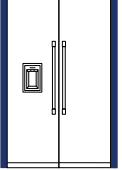
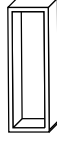
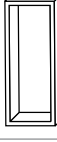


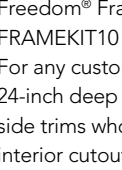
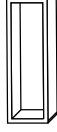
FREEDOM® COLLECTION

Choose Unit	Choose Panel (All units are panel ready for custom panel installation)	Choose Handle and Optional Frame <b>NOTE:</b> Choose one handle for each column.
<b>Fresh Food Column – Fully Flush Collection</b>		
24-Inch  T24IR905SP Reversible Door Swing Custom Column	Flat Stainless Steel Door Panel TFL24IR800 – For use with Handle TFL24IR905 – Handleless	 Professional PR36HNDL20 – 36-Inch Professional   Masterpiece® MS36HNDL20 – 36-Inch Masterpiece   Freedom® Frame Kit FRAMEKIT10 For any custom column installation in 24-inch deep cutouts. With two metal side trims whose placement between the interior cutout wall and the appliance helps overcome the challenge of unfinished cabinet returns.
30-Inch  T30IR905SP Reversible Door Swing Custom Column	Flat Stainless Steel Door Panel TFL30IR800 – For use with Handle TFL30IR905 – Handleless	
36-Inch  T36IR905SP Reversible Door Swing Custom Column	Flat Stainless Steel Door Panel TFL36IR900 – For use with Handle TFL36IR905 – Handleless	
<b>Freezer Column with External Dispenser – Fully Flush Collection</b>		
18-Inch  T18ID905LP Left-Hand Door Swing External Ice & Water Dispenser Custom Column	Flat Stainless Steel Door Panel TFL18ID800 – For use with Handle TFL18ID905 – Handleless	 Freedom® Frame Kit FRAMEKIT10 For any custom column installation in 24-inch deep cutouts. With two metal side trims whose placement between the interior cutout wall and the appliance helps overcome the challenge of unfinished cabinet returns.
 T18ID905RP Right-Hand Door Swing External Ice & Water Dispenser Custom Column	Flat Stainless Steel Door Panel TFL18ID800 – For use with Handle TFL18ID905 – Handleless	
24-Inch  T24ID905LP Left-Hand Door Swing External Ice & Water Dispenser Custom Column	Flat Stainless Steel Door Panel TFL24ID800 – For use with Handle TFL24ID905 – Handleless	
 T24ID905RP Right-Hand Door Swing External Ice & Water Dispenser Custom Column	Flat Stainless Steel Door Panel TFL24ID800 – For use with Handle TFL24ID905 – Handleless	

**IMPORTANT:** When two appliances are installed side-by-side a sealing kit must be used. For combinations that involve a freezer column, this kit is included. For all other (non-traditional, i.e. two wine columns, two bottom freezers, etc.) side-by-side combinations or instances where any appliances are installed less than 6-inches (152 mm) apart from one another but not connected side-by-side, Heater Kit HEATRKIT20 (13W @ 120V) must be purchased. This kit is recommended for use with any installation in areas that are subject to humidity, or located next to an outside wall. See page 163 for details.

# Building Your Custom Column

FREEDOM® COLLECTION

Choose Unit	Choose Panel (All units are panel ready for custom panel installation)	Choose Handle and Optional Frame <b>NOTE:</b> Choose one handle for each column.
<b>Freezer Column with Internal Ice Maker – Fully Flush Collection</b>		
18-Inch  T18IF905SP Reversible Door Swing Internal Diamond Ice Maker Custom Column	Flat Stainless Steel Door Panel TFL18IR800 – For use with Handle TFL18IR905 – Handleless	 Professional PR36HNDL20 – 36-Inch Professional   Masterpiece® MS36HNDL20 – 36-Inch Masterpiece   Freedom® Frame Kit FRAMEKIT10 For any custom column installation in 24-inch deep cutouts. With two metal side trims whose placement between the interior cutout wall and the appliance helps overcome the challenge of unfinished cabinet returns.
24-Inch  T24IF905SP Reversible Door Swing Internal Diamond Ice Maker Custom Column	Flat Stainless Steel Door Panel TFL24IR800 – For use with Handle TFL24IR905 – Handleless	
30-Inch  T30IF905SP Reversible Door Swing Internal Diamond Ice Maker Custom Column	Flat Stainless Steel Door Panel TFL30IR800 – For use with Handle TFL30IR905 – Handleless	
36-Inch  T36IF905SP Reversible Door Swing Internal Diamond Ice Maker Custom Column	Flat Stainless Steel Door Panel TFL36IR900 – For use with Handle TFL36IR905 – Handleless	
<b>Wine Preservation – Fully Flush Collection</b>		
18-Inch  T18IW905SP Reversible Door Swing Custom Column	Flat Stainless Steel Door Panel TFL18IW800 – For use with Handle TFL18IW905 – Handleless	 Freedom® Frame Kit FRAMEKIT10 For any custom column installation in 24-inch deep cutouts. With two metal side trims whose placement between the interior cutout wall and the appliance helps overcome the challenge of unfinished cabinet returns.
24-Inch  T24IW905SP Reversible Door Swing Custom Column <small>**with Home Connect®</small>	Flat Stainless Steel Door Panel TFL24IW800 – For use with Handle TFL24IW905 – Handleless	


**IMPORTANT:** When two appliances are installed side-by-side a sealing kit must be used. For combinations that involve a freezer column, this kit is included. For all other (non-traditional, i.e. two wine columns, two bottom freezers, etc.) side-by-side combinations or instances where any appliances are installed less than 6-inches (152 mm) apart from one another but not connected side-by-side, Heater Kit HEATRKIT20 (13W @ 120V) must be purchased. This kit is recommended for use with any installation in areas that are subject to humidity, or located next to an outside wall. See page 163 for details.

## Customize The Interior – Optional Storage Accessories

For use with Fresh Food Columns



For use with Freezer Columns, Bottom Freezers and Pre-assembled Bottom Freezers

 ICEBUCKETL Large Ice Bucket

# Planning Information – Columns

FREEDOM® COLLECTION

## Installation Considerations

### Location

The appliance should be installed in a dry, ventilated room. It may not be installed outdoors. The ambient temperature of the room must be between 55°F (13°C) and 100°F (43°C).

The appliance should not be exposed to constant direct sunlight or excessive heat. If installation next to a heat source, such as an oven, radiator, etc. is unavoidable, observe the following minimum distances from the heat source:

- 1 1/4" (30 mm) from an electric cooking appliance,
- 11 13/16" (300 mm) from an oil or solid-fuel cooking appliance.

### Installation and Cutout Dimensions

Please see pages 187–206 for complete cutout planning information.

It is important to observe the specified dimensions of the installation cutout for a trouble-free installation of the appliance and for the subsequent appearance of the door panel.

- In particular ensure that the cutout is square. Squareness can be checked by suitable means, e.g. spirit level, diagonal measurements, etc.
- The side walls of the cutout must be flush. The minimum thickness of the side and top walls is 5/8" (16 mm). The minimum thickness of toekick panel is 1/4" (6 mm).

### Furniture / Fixtures

During installation, the appliance is fastened to adjacent and overhead furniture / fixtures and it is therefore essential that all such furniture / fixtures are well secured to the substructure or adjacent wall.

### Flooring / Substructure

On account of the heavy weight of a fully loaded appliance, a load-bearing substructure is required. To ensure correct installation and function, the support must be flat, level and made of hard, rigid material. If in doubt, contact an architect or a building expert.

Refer to the following table for load-bearing capacity:

Appliance	Load Bearing Capacity
24-Inch Fresh Food Column	949 lbs. / 431 kg
30-Inch Fresh Food Column	1,097 lbs. / 498 kg
36-Inch Fresh Food Column	1,363 lbs. / 618 kg
18-Inch Freezer Column	774 lbs. / 351 kg*
24-Inch Freezer Column	958 lbs. / 435 kg*
30-Inch Freezer Column	1,116 lbs. / 507 kg
36-Inch Freezer Column	1,353 lbs. / 614 kg
18-Inch Wine Preservation Column	840 lbs. / 381 kg
24-Inch Wine Preservation Column	1,067 lbs. / 484 kg

\*Without water dispenser

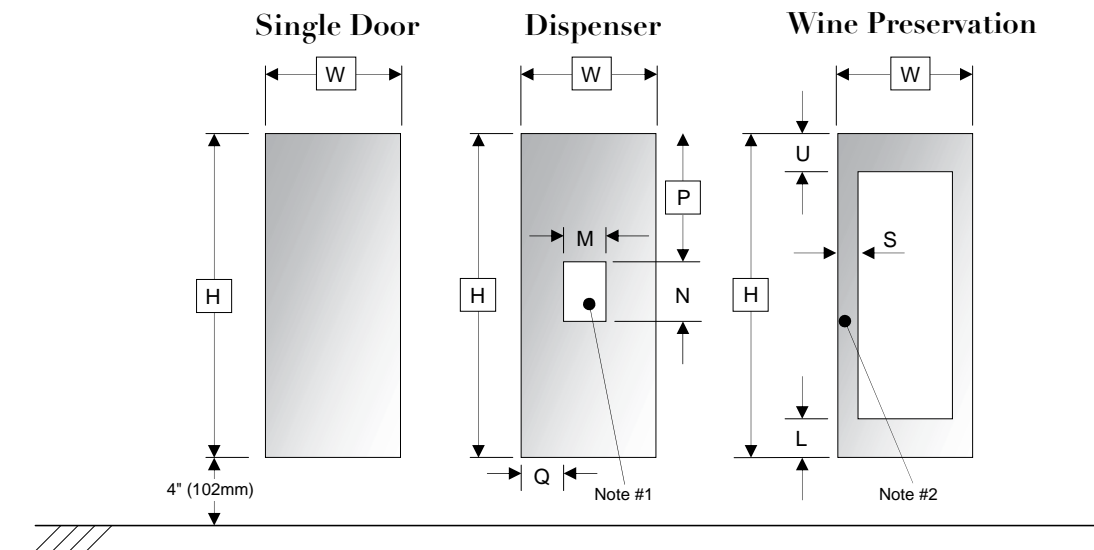
# Door Panel Dimensions – Columns

FREEDOM® COLLECTION

Each Freedom® Collection refrigeration appliance is designed to be equipped with a decorative door panel. A panel can be custom-made or purchased as a stainless steel accessory. The table below illustrates the dimensions of the stainless steel panel accessories and can be used as a guide in creating custom panels. At 79 7/8" (2029 mm) tall, they are designed for a toekick height of 4" (102 mm), and a total cutout height of 84" (2134 mm) yielding 1/8" (3 mm) reveals. At 3/4" (19 mm) deep, they are designed to attach to the 24" (610 mm) deep appliance for an overall depth of 24 3/4" (629 mm). See page 188 for cutout planning.

When using custom panels, always ensure that the panel reverse is finished to match the exterior, as parts of the panel reverse will be visible when the refrigerator door is opened.

**IMPORTANT:** While these sketches can serve as a general guide in planning panel dimensions, the correct panel dimensions are dictated by design choices including style and dimensions of surrounding kitchen cabinetry, case and toekick height, etc. Please ensure careful planning based on the specific kitchen design.



DESCRIPTION	H	W	M	N	P	Q	U	L	S	MAX. PANEL WEIGHT
18-Inch Freezer Column	79 7/8" (2029 mm)	17 3/4" (451 mm)	—	—	—	—	—	—	—	120 lbs. (54 kg)
24-Inch Freezer / Fresh Food Columns	79 7/8" (2029 mm)	23 3/4" (603 mm)	—	—	—	—	—	—	—	80 lbs. (36 kg)
30-Inch Freezer / Fresh Food Columns	79 7/8" (2029 mm)	29 3/4" (756 mm)	—	—	—	—	—	—	—	50 lbs. (23 kg)
36-Inch Freezer / Fresh Food Columns	79 7/8" (2029 mm)	35 3/4" (908 mm)	—	—	—	—	—	—	—	80 lbs. (36 kg)
18-Inch Ice & Water Dispenser Columns	79 7/8" (2029 mm)	17 3/4" (451 mm)	9 1/16" (230.5 mm)	14 1/2" (368.3 mm)	32 11/16" (830.5 mm)	4 11/32" (110 mm)	—	—	—	150 lbs. (68 kg)
24-Inch Ice & Water Dispenser Columns	79 7/8" (2029 mm)	23 3/4" (603 mm)	9 1/16" (230.5 mm)	14 1/2" (368.3 mm)	32 11/16" (830.5 mm)	7 11/32" (186 mm)	—	—	—	150 lbs. (68 kg)
18-Inch Wine Preservation Column	79 7/8" (2029 mm)	17 3/4" (451 mm)	—	—	—	—	10 1/8" (257 mm)	10 1/8" (257 mm)	3 3/4" (95 mm)	150 lbs. (68 kg)
24-Inch Wine Preservation Column	79 7/8" (2029 mm)	23 3/4" (603 mm)	—	—	—	—	10 1/8" (257 mm)	10 1/8" (257 mm)	3 3/4" (95 mm)	150 lbs. (68 kg)

**NOTE #1:** The cutout for the dispenser unit must be horizontally and vertically centered in the panel.

**NOTE #2:** For custom wine preservation column door panels, the width of the two lateral flanges of the frame may vary between 2 1/2" (64 mm) and 3 3/4" (95 mm).

# Planning Information – Columns

FREEDOM® COLLECTION

## Electrical Specifications

The appliance comes with a 3-wire power supply cord. UL listed in the USA.

Each appliance requires a separate 3-wire receptacle that is fitted with a 15 Amp fuse or higher. Refer to the following table for max load details.

Appliance	Max load
	120V AC, 60Hz
24-Inch Fresh Food Column	15 A
30-Inch Fresh Food Column	15 A
36-Inch Fresh Food Column	15 A
18-Inch Freezer Column*	15 A
24-Inch Freezer Column*	15 A
30-Inch Freezer Column*	15 A
36-Inch Freezer Column*	15 A
18-Inch Wine Preservation Column	15 A
24-Inch Wine Preservation Column	15 A

\*Including ice maker

The receptacle must be installed by a licensed electrician only.

For the installation position of the receptacle refer to diagram in "Electrical Location".

## Grounding Instruction

This appliance must be grounded. In the event of a malfunction or breakdown, grounding will reduce the risk of electric shock by providing a path of least resistance for the electric current.

## Additional Grounding Procedure

Some local regulations may require a separate ground. In such cases, the required accessory ground wire, clamp and screw must be purchased separately. Never ground the appliance to plastic plumbing lines, gas lines or water pipes.

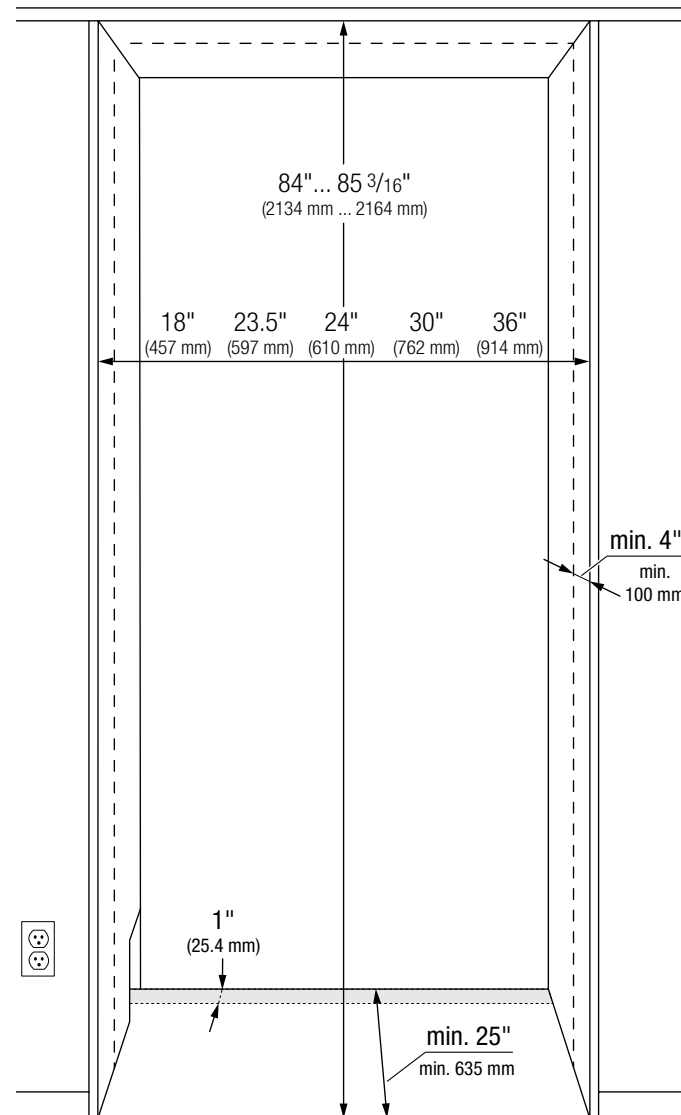
A 4-conductor cord shall be used when the appliance is installed in an area where local codes do not permit grounding through the neutral. Power supply cord must be replaced by a licensed electrician only.

## Warning

Improper connection of the equipment grounding conductor may result in electric shock. Have the appliance checked by a qualified electrician or service technician if you are in doubt as to whether the appliance has been properly grounded.

## Electrical Location

Connect the appliance to an outlet that is near the appliance. The outlet must be freely accessible following installation of the appliance.



# Planning Information – Columns

FREEDOM® COLLECTION

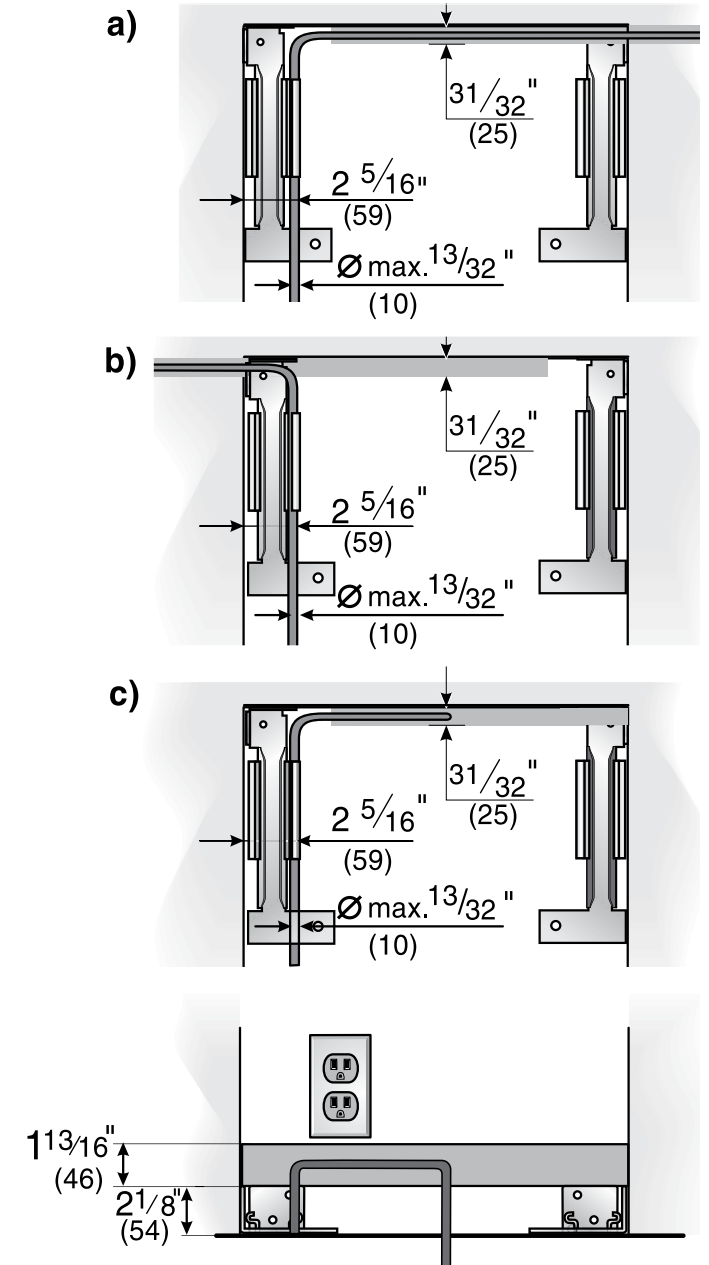
## Water Location

A cold water connection is required for appliances that feature an ice maker or an ice and water dispenser.

The water pressure must be between 40 and 120 p.s.i. (2.75–8.25 bar). The installation must comply with local plumbing regulations.

A separate shut-off valve must be installed for the appliance water connection.

The shut-off valve for the water connection may not be behind the appliance. It is recommended to place the shut-off valve outside the cutout next to the appliance or in another easily accessible location. When installing the water connection, observe the permitted installation areas for the water supply line. The supply line can be located to the right (a), to the left (b), or underneath (c).



# Cabinetry Planning Information – Columns

FREEDOM® COLLECTION

## Cabinetry Terms & Basic Requirements

To clarify the terms that are used in this design guide, please refer to the following definitions:

### Case

This is the main body of a kitchen cabinet.

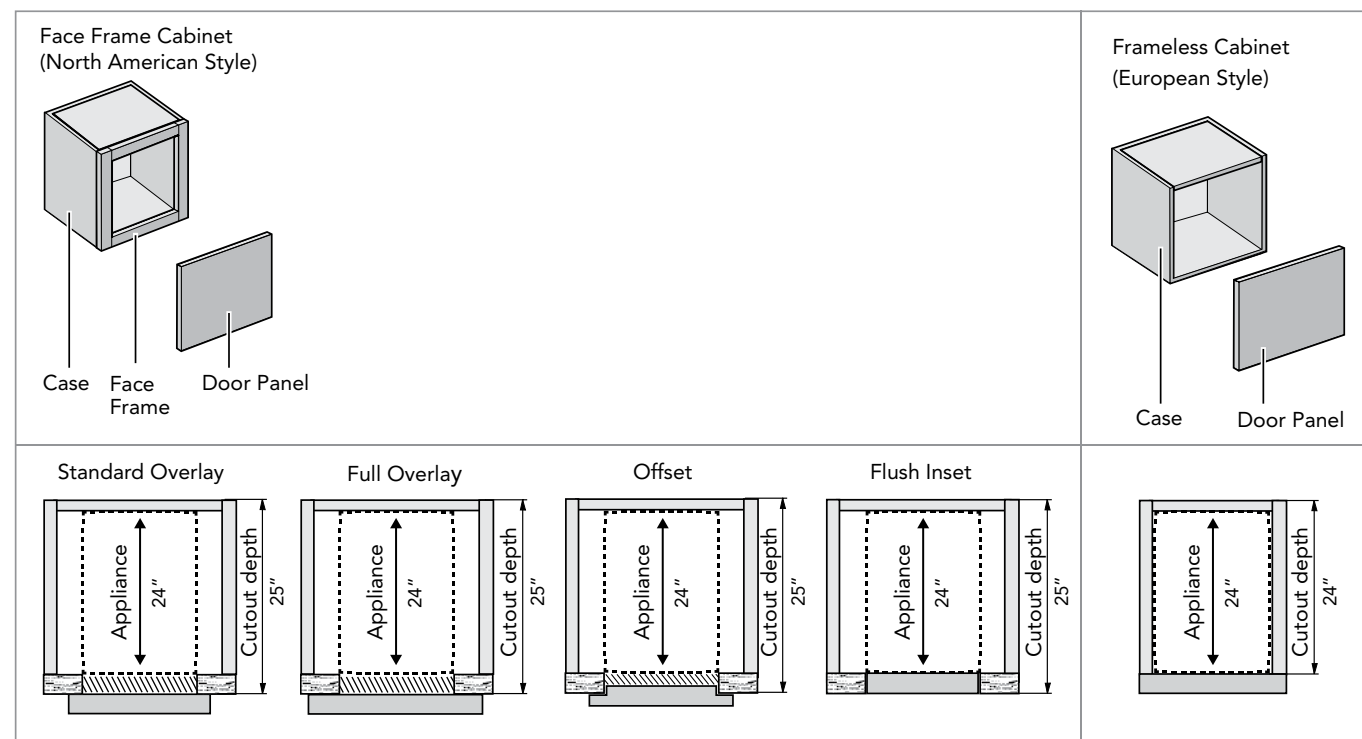
### (Cabinet) Face Frame

This is a decorative frame at the front of a kitchen cabinet representing the space between cabinetry doors or drawers and is typical for North America. European style cabinets (frameless cabinetry) typically do not have a face frame.

### Door Panel

Able to be fully flush integrated when installed in 25" (635 mm) deep cabinets, Freedom® Collection refrigerators are intentionally designed to be equipped with custom door panels that perfectly match surrounding kitchen cabinetry. Typical panel thickness is 3/4" (19 mm). However, thicker panels can be accommodated to emulate the look of the visible face frame (as in overlay) or to match existing kitchen cabinetry doors. When using custom panels, always ensure that the panel reverse is finished to match the exterior, as parts of the panel reverse will be visible when the refrigerator door is opened.

## Kitchen Cabinetry Illustration



### Cutout (Niche)

The cutout is the cavity in which a Freedom® Collection appliance is installed. The width of the cutout (18-inch, 24-inch, 30-inch or 36-inch) is dependent on the appliance(s). The total depth of the cutout is equal to the depth of the case plus face frame. It does not necessarily include the thickness of the door panel. For proper planning of cutout depth, please refer to pages 188–191.

Typically, the cutout for a Freedom® Collection appliance will be 25" (635 mm) deep. When planning the cutout, it is essential that the top and side interior walls be flush to the appliance at a minimum depth of 4" (102 mm) from the outer edge of the face frame and composed of thick (5/8" (16 mm) minimum) material for secure installation. Also, because the case interior will be partially visible when the refrigerator door is opened, always ensure that the top and side returns are finished to match the exterior furniture at the same minimum depth of 4" (102 mm).

# Cabinetry Planning Information – Columns

FREEDOM® COLLECTION

## Cabinetry Style & Cutout Depth

Freedom® Collection refrigeration appliances are designed to accommodate nearly any type of kitchen cabinetry door installation. Generally, when using standard 3/4" (19 mm) panels, 25" (635 mm) deep cutouts are recommended but the required cutout depth depends on the desired cabinetry and custom panel execution, whether typical North American styles that employ a face frame—requiring a depth of 25" (635 mm)—or European style—requiring a depth of 24" (610 mm).

The below cabinetry styles detail requirements for the cutout and custom panel.

### A) Standard (Partial) Overlay – 25" (635 mm) Cutout Depth

With standard overlay kitchen cabinetry the face frame is an important design element. In order to emulate this aesthetic for the refrigerator, one must account for the door panel thickness (typically 3/4" (19 mm)) as well as the face frame thickness (here, also 3/4" (19 mm)). The resulting thickness of the custom door panel is therefore 3/4" (19 mm) + 3/4" (19 mm) = 1 1/2" (38 mm). The cumulative thickness of the custom door panel requires added depth in the cutout so 25" (635 mm) is recommended (see sketch).

### E) Framed – 24" (610 mm) Cutout Depth

For Freedom® Collection refrigeration appliances, a metal frame (FRAMEKIT10) may be affixed to the side of the cabinet which conveniently hides unfinished case returns and provides a classic built-in look. This is particularly relevant for existing cabinetry that has not been custom-built to accommodate these appliances. A 24" (610 mm) cutout will result in a slightly protruding door panel for a typical built-in look.

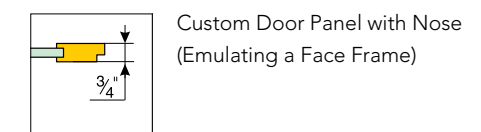
### F) European Style Kitchen Cabinetry – 24" (610 mm) Cutout Depth

If the kitchen design is based on European style cabinetry, there is no need to emulate the look of a face frame, as such a frame is not an element of the kitchen cabinetry design. Therefore a 24" (610 mm) deep cutout with accompanying custom panel will always be sufficient.

### A) Standard Overlay Design



### B) Full Overlay Design



### B) Full Overlay – 25" (635 mm) Cutout Depth

The requirements for standard overlays are also valid for full overlay designs so 25" (635 mm) cutout depth is recommended. However, especially if kitchen cabinet doors are thinner than 3/4" (19 mm) or reveals are 1/8" (3 mm) or smaller, a 24" (610 mm) cutout depth may also be acceptable. In this execution both the cabinet door and the small reveal of the fully overlaid face frame must be emulated within the typical appliance door panel thickness of 3/4" (19 mm). This can be done either a) by simply ignoring the visible area of the face frame (very small reveals show virtually no face frame) or b) by creating a "nose" on the custom door panel to emulate a small visible face frame (see sketch).

### C & D) Offset & Flush Inset – 25" (635 mm) Cutout Depth

Here, kitchen cabinetry door panels do not rest atop the cabinet face frame (overlay), but are instead inserted partially (offset) or fully flush (inset) into the face frame. Such offset or flush inset door panels require additional depth in the cutout. Using the example of a 3/4" (19 mm) thick panel, the complete cutout depth would be 24" (610 mm) + 3/4" (19 mm) = 24 3/4" (629 mm) and in this example 25" (635 mm) is recommended.

## Important

It is strongly recommended the top interior of the cutout be of solid material (5/8" (16 mm) thickness). Ensure that the top well is completely flush for a depth of at least 4" (102 mm).

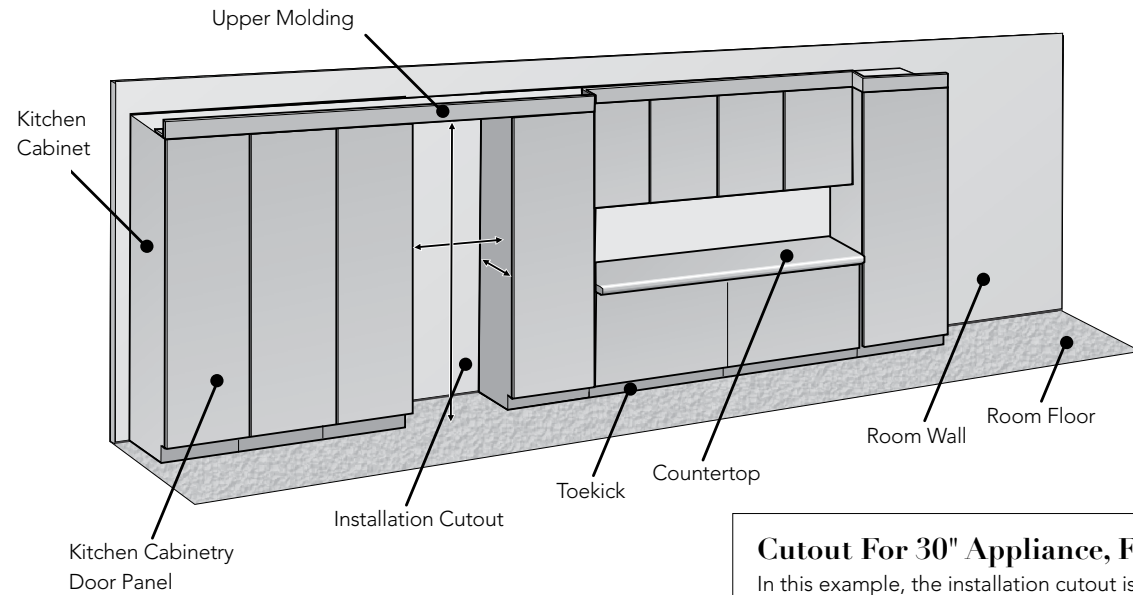
Ensure that the side walls of the cutout are also completely flush to a depth of at least 4" (102 mm).

If, for some reason, a separate cutout cabinet is created, ensure that the furniture return is at least 4" (102 mm) deep for proper installation.

# Cabinetry Planning Information – Columns

FREEDOM® COLLECTION

## Planning Example #1: Frameless (European) Cabinetry

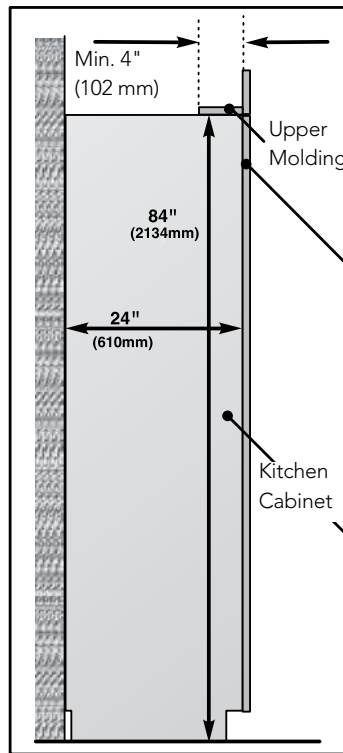


### Cutout For 30" Appliance, Frameless Cabinetry:

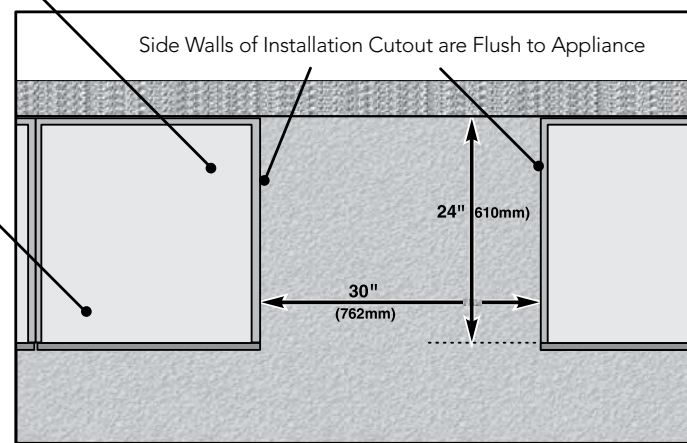
In this example, the installation cutout is formed by simply leaving a gap between two kitchen cabinets.

The custom door panel  $\frac{3}{4}$ " (19 mm) will be identical in appearance and thickness to the surrounding kitchen cabinetry panels.

- cutout width is exactly 30" (762 mm)
- cutout (case) depth is 24" (610 mm)—does not include door panel
- top and side walls of cutout interior are completely flush, of solid material and at least 4" (102 mm) deep



Installation Cutout (Vertical Section)

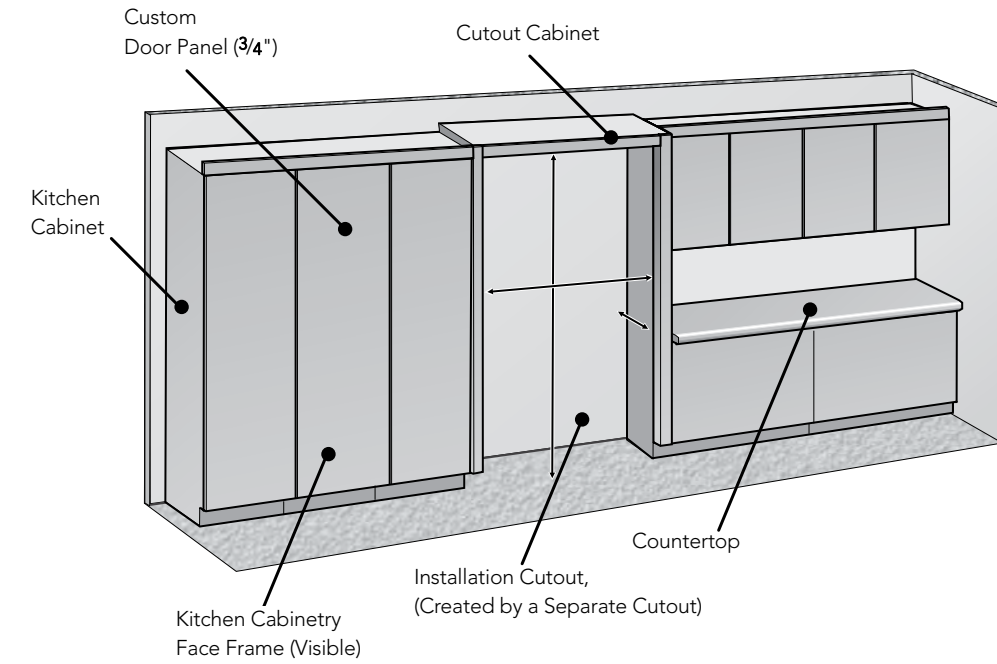


30-Inch Installation Cutout (Horizontal Section)

# Cabinetry Planning Information – Columns

FREEDOM® COLLECTION

## Planning Example #2: Standard Overlay Cabinetry

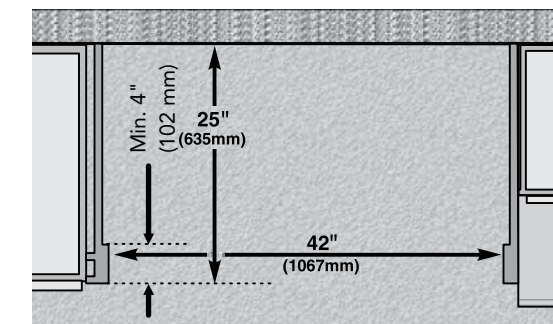
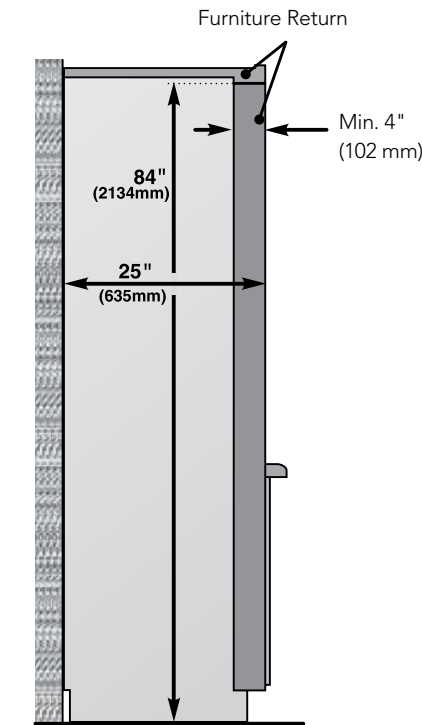


### Cutout For 42" Side-By-Side Appliance Combination, Standard Overlay Cabinetry:

In this example, the installation cutout is formed by creating a separate cutout around the appliances. It yields a look that deviates from the general kitchen design.

The custom door panel has a cumulative thickness of  $1\frac{1}{2}$ " (38 mm),  $\frac{3}{4}$ " (19 mm) emulating the face frame and  $\frac{3}{4}$ " (19 mm) for the actual door panel). Thus, a 25" (635 mm) deep installation cutout is required.

- cutout width is exactly 42" (for an 18" + 24" = 42" side-by-side combination)
- cutout (case) depth is 25" (635 mm) due to  $1\frac{1}{2}$ " (38 mm) custom door panel
- any furniture return must be at least 4" (102 mm) deep, on interior top and sides, of solid material and should be finished to match the exterior at the same depth (4" or 102 mm)

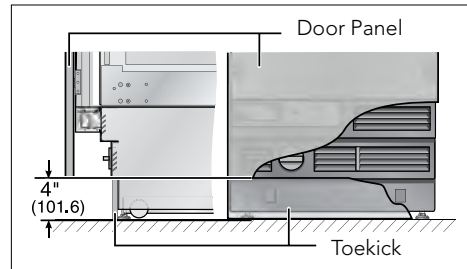


# Installation – Columns

FREEDOM® COLLECTION

## Toekick & Venting Grille

Each Freedom® Collection refrigeration appliance comes with a 4" (102 mm) tall stainless steel toekick. A custom-made toekick that matches the surrounding cabinetry may be applied instead. While standard toekick height is 4" (102 mm), depending on the usage of the leveling legs, the toekick height could vary. Regardless of toekick height, it is imperative that the venting grille remain unblocked to ensure proper functionality of the appliance. Decorative toekicks should be removable to allow for servicing.



Typical 4" (102 mm) toekick height. Velcro adhesive strips are used to fasten the toekick to the appliance. Venting grille and (if applicable) the water filter cavity are located above the toekick area.

## Upper Molding

The planning of decorative upper molding above the cutout requires taking into account the actual or desired height of the door panel.

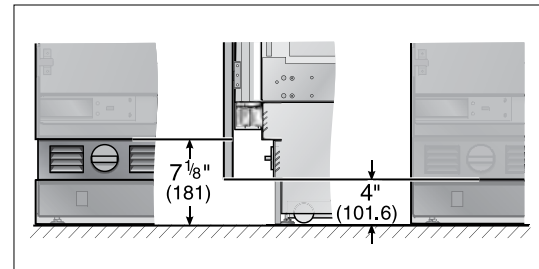
The overall height of the door panel will depend on:

- the height of the appliance, typically 84" (2134 mm)—leveling legs allow height adjustment ranging from  $-1/2"$  (-13 mm) to  $+1 3/8"$  (+35 mm)
- the installed height of the door panel (distance from the bottom edge of the door panel to the floor, typically 4" (102 mm), and, if desired, any extension of the custom panel above the appliance cutout)
- the appliance type (single door or bottom freezer)

## Important

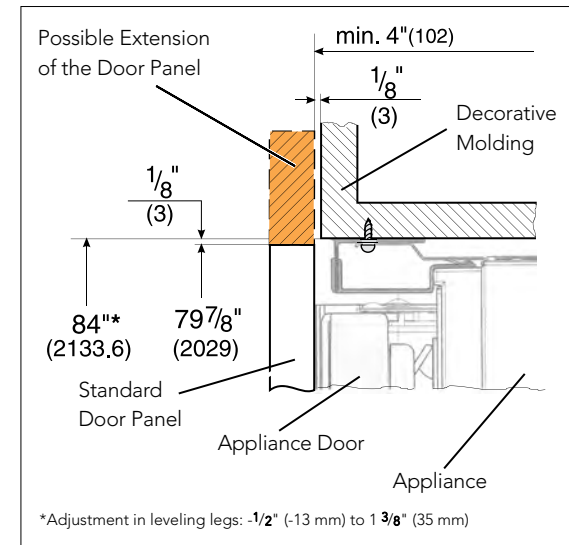
Please recall that a panel should be installed at a minimum height of 4" (102 mm) from the floor to allow proper ventilation of the appliance.

Always ensure that the top of the cutout or upper decorative molding is at least 4" (102 mm) deep, so that the refrigerator can be properly secured to the cutout wall. This is particularly important if a protruding cutout is specially created and configured with a face frame. Furniture returns for any face frame must be a minimum of 4" (102 mm) deep.



If required by the surrounding cabinetry design, the distance between the bottom edge of the door panel and the floor can be increased from approx. 4" (102 mm) up to 7 1/8" (181 mm), but should not be decreased. Note, however, that the venting grille and (if applicable) water filter cavity will be visible, even if the door is closed.

## Vertical Section, Side View:



\*Adjustment in leveling legs:  $-1/2"$  (-13 mm) to  $1 3/8"$  (35 mm)

# Installation – Columns

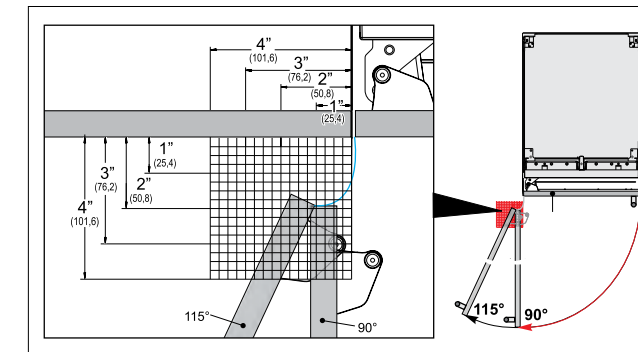
FREEDOM® COLLECTION

## Door Swivel Range

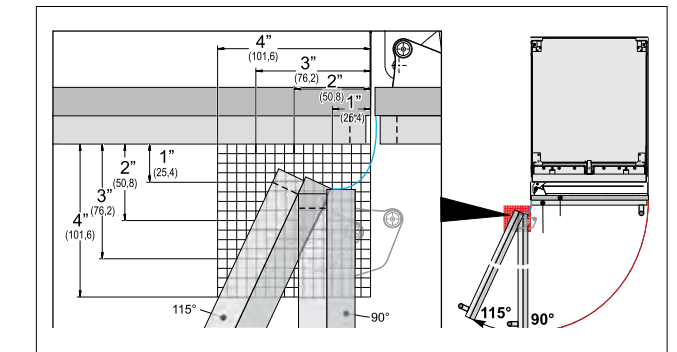
It is absolutely essential to ensure that the appliance is installed in such a way that the doors (including handles) and adjacent cabinets, countertops, pilasters, walls or other kitchen elements do not interfere with one another when opened. The illustrations below depict the swivel range of the Freedom® Collection refrigerator doors including mounted door panels of both 3/4" (19 mm) and 1 1/2" (38 mm) thickness. In the event of door interference the following solutions may be employed:

- Limit the refrigerator door opening angle to 90° with a door stop pin inserted into the hinge.
- Reduce the door panel thickness (if larger than 3/4" (19 mm)).
- Install a spacer between the appliance and the kitchen element that creates the interference.
- Rearrange the opposing kitchen element that creates the problem.
- Create a protruding cutout for the appliance.

## Door Swivel Range – 3/4" (19 mm) Flush Appliance Door Panel



## Door Swivel Range – 1 1/2" (38 mm) Flush Appliance Door Panel

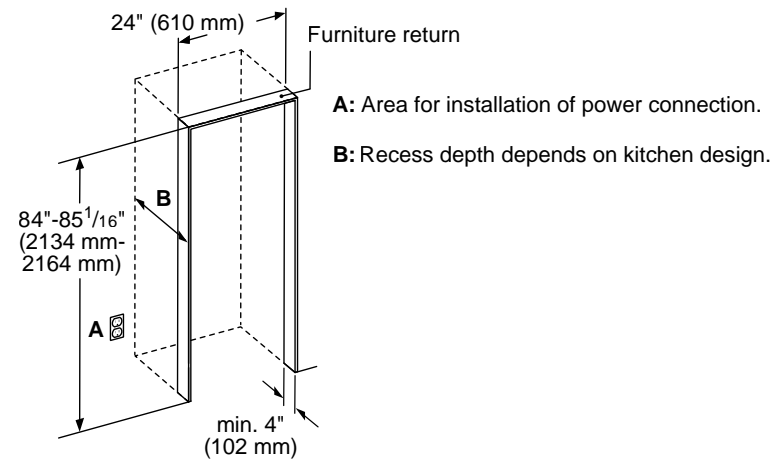


# Installation – Columns

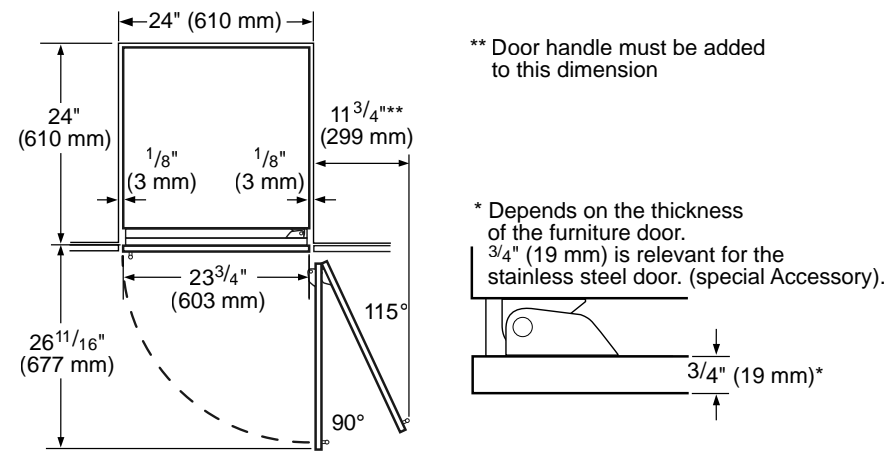
FREEDOM® COLLECTION

## 24-Inch Built-In Fresh Food Column – T24IR905SP

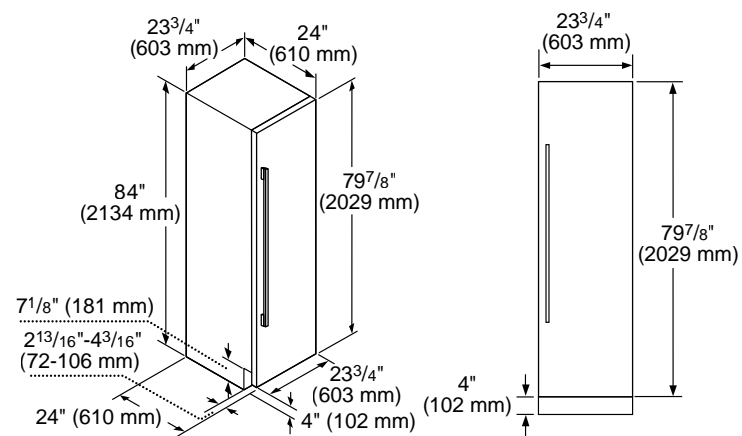
### Cutout Dimensions



### Top View Clearance



### Product and Panel Dimensions

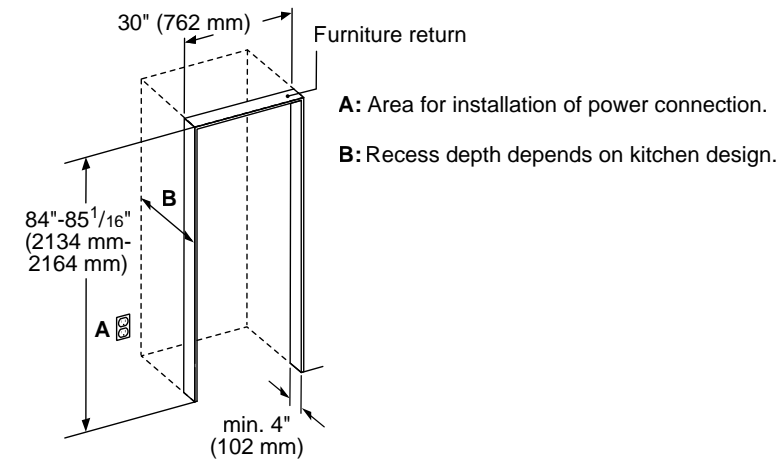


# Installation – Columns

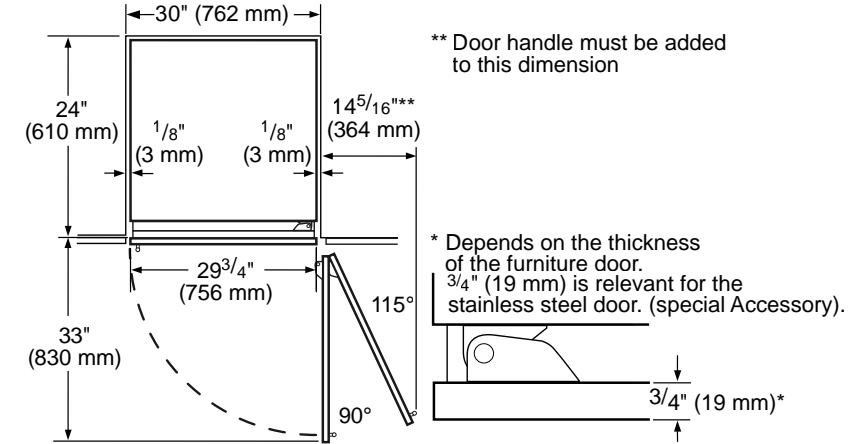
FREEDOM® COLLECTION

## 30-Inch Built-In Fresh Food Columns – T30IR905SP

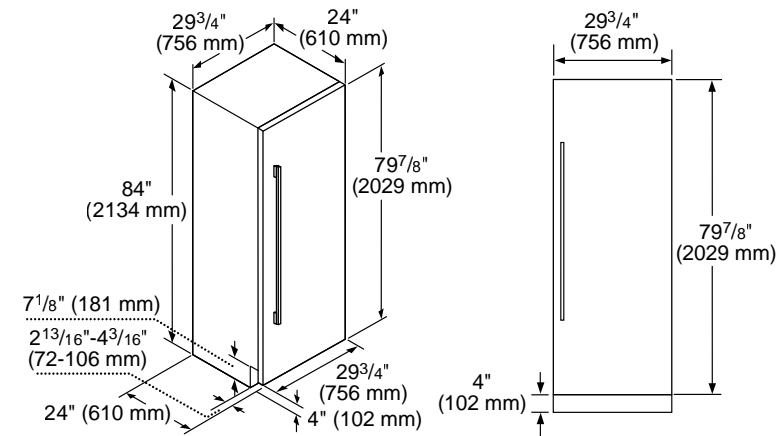
### Cutout Dimensions



### Top View Clearance



### Product and Panel Dimensions

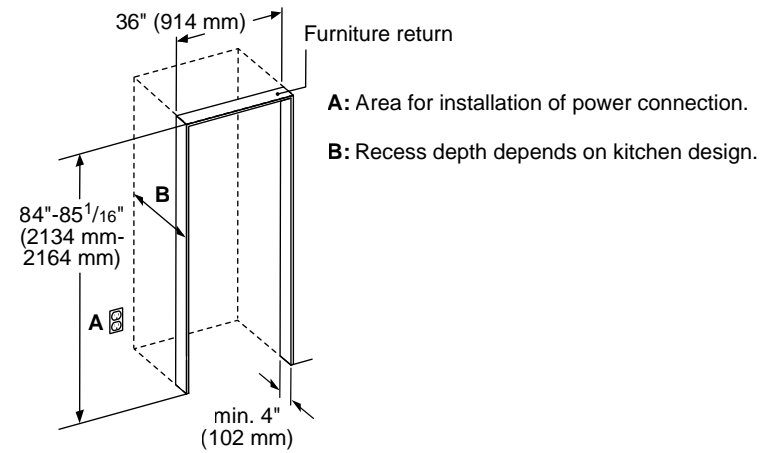


# Installation – Columns

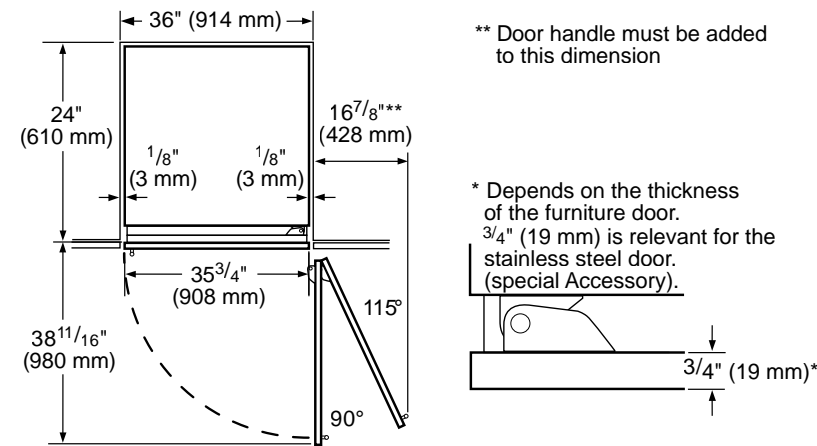
FREEDOM® COLLECTION

## 36-Inch Built-In Fresh Food Column – T36IR905SP

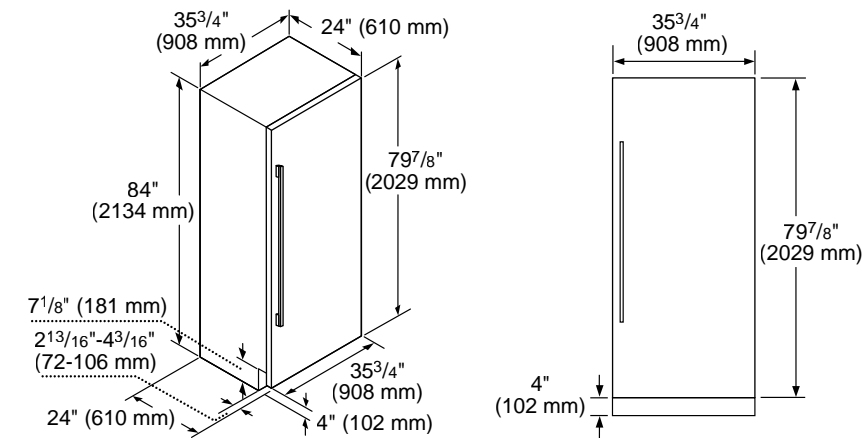
### Cutout Dimensions



### Top View Clearance



### Product and Panel Dimensions

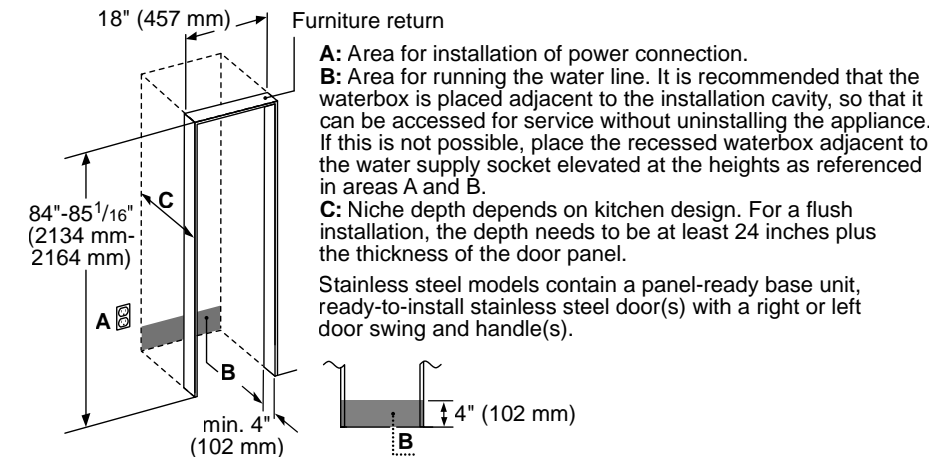


# Installation – Columns

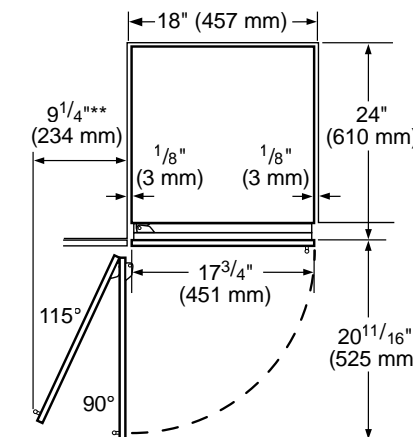
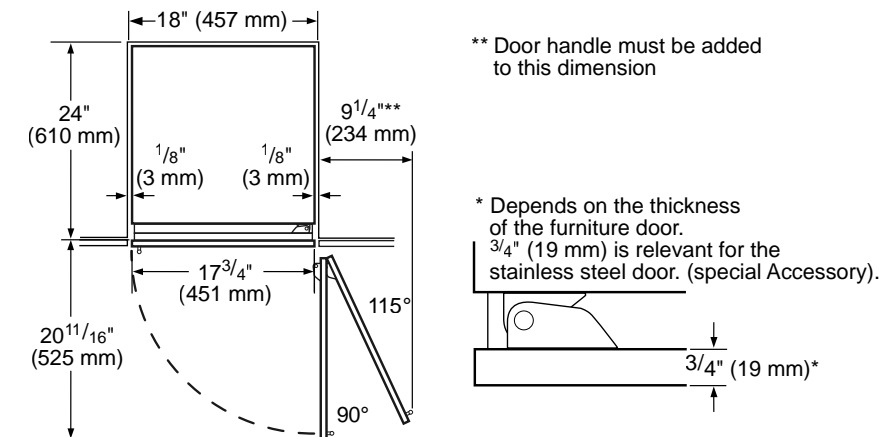
FREEDOM® COLLECTION

## 18-Inch Built-In Freezer Columns With Ice & Water Dispenser – T18ID905RP / T18ID905LP

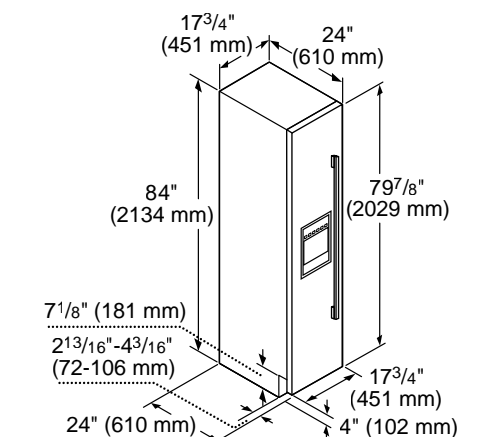
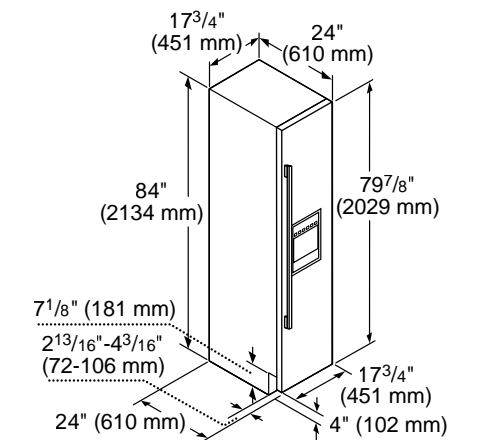
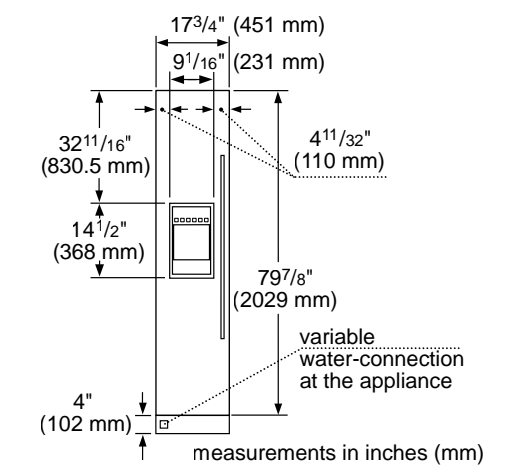
### Cutout Dimensions



### Top View Clearance



### Product and Panel Dimensions

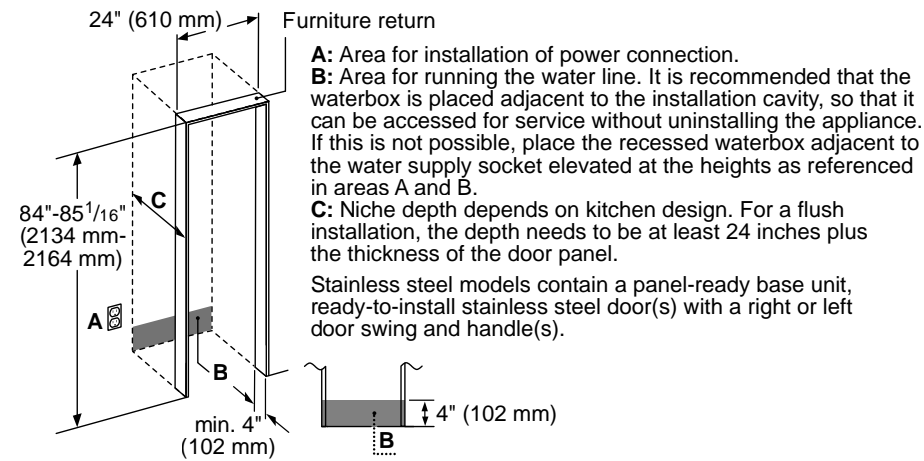


# Installation – Columns

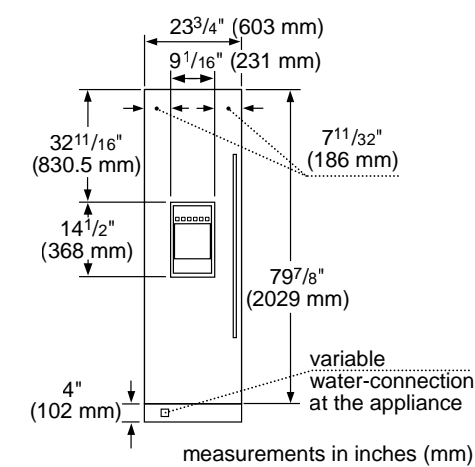
FREEDOM® COLLECTION

## 24-Inch Built-In Freezer Columns With Ice & Water Dispenser – T24ID905RP / T24ID905LP

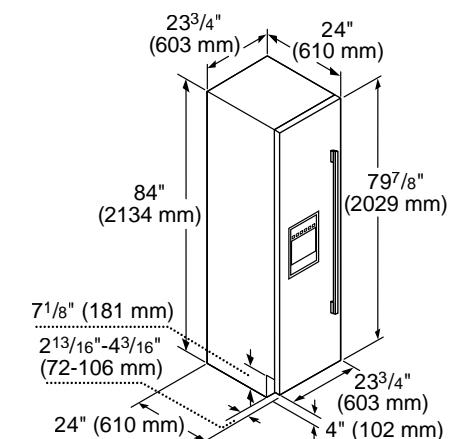
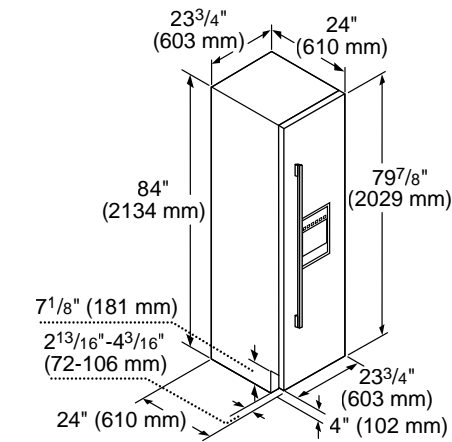
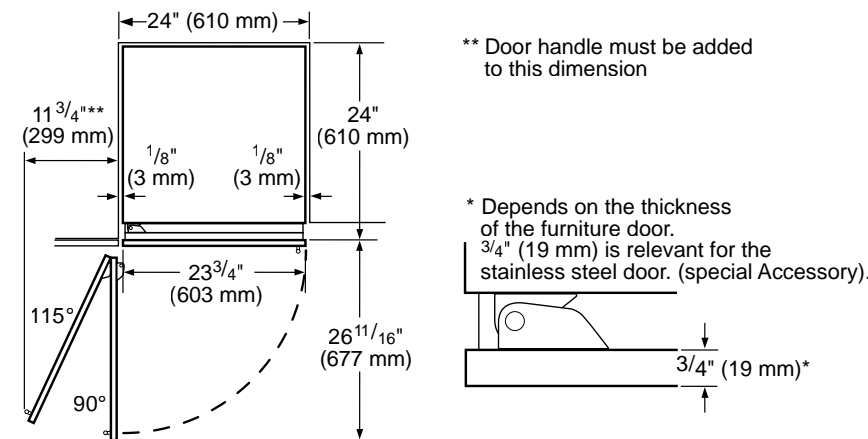
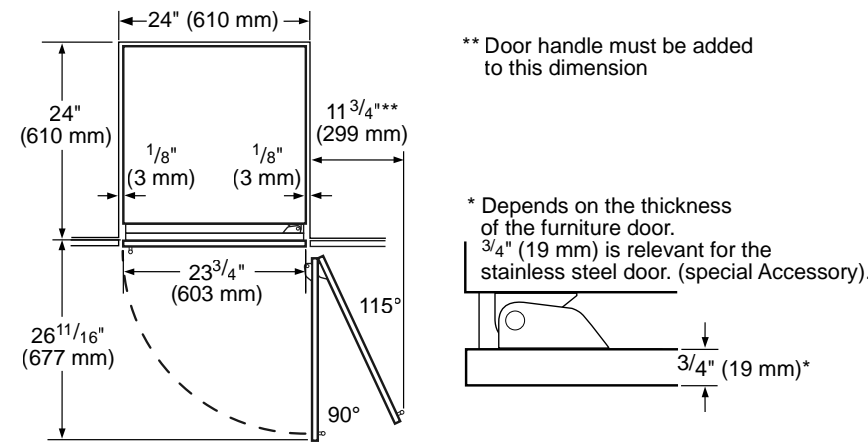
### Cutout Dimensions



### Product and Panel Dimensions



### Top View Clearance

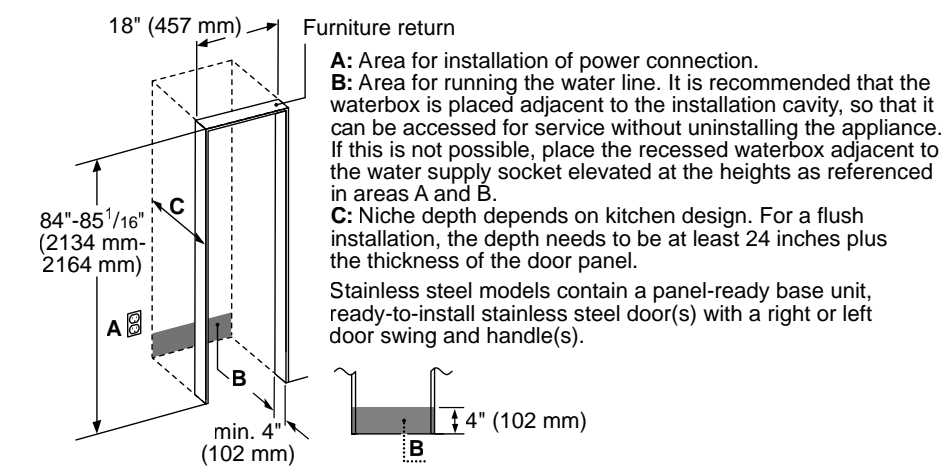


# Installation – Columns

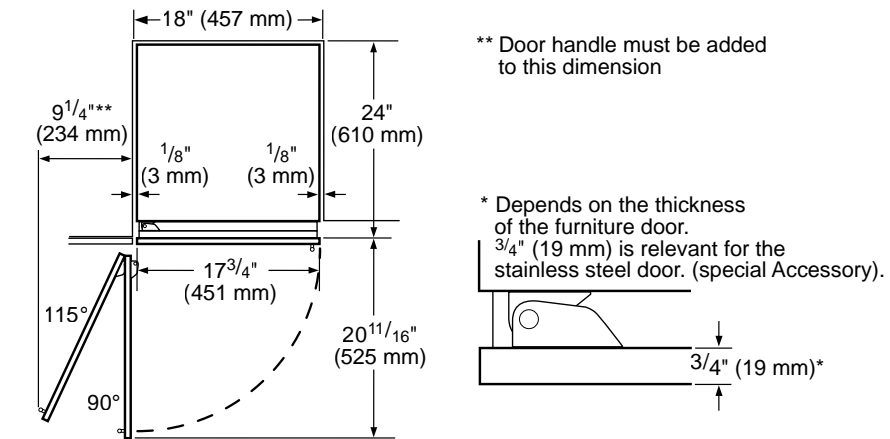
FREEDOM® COLLECTION

## 18-Inch Built-In Freezer Columns With Internal Ice Maker – T18IF905SP

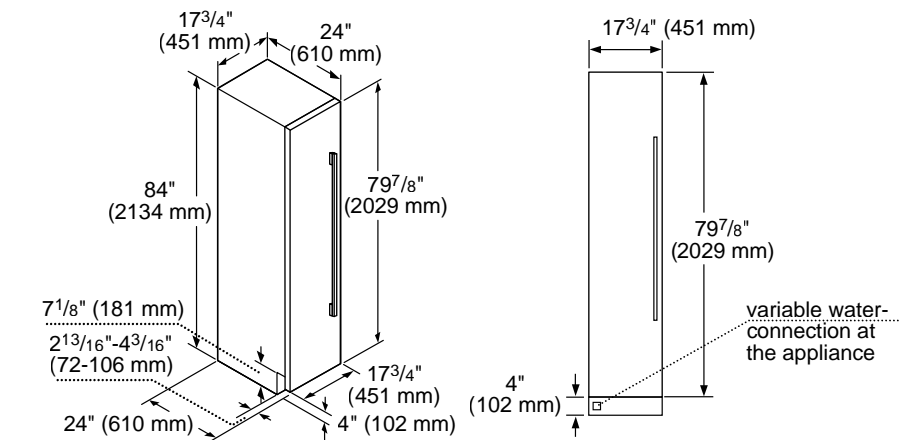
### Cutout Dimensions



### Top View Clearance



### Product and Panel Dimensions

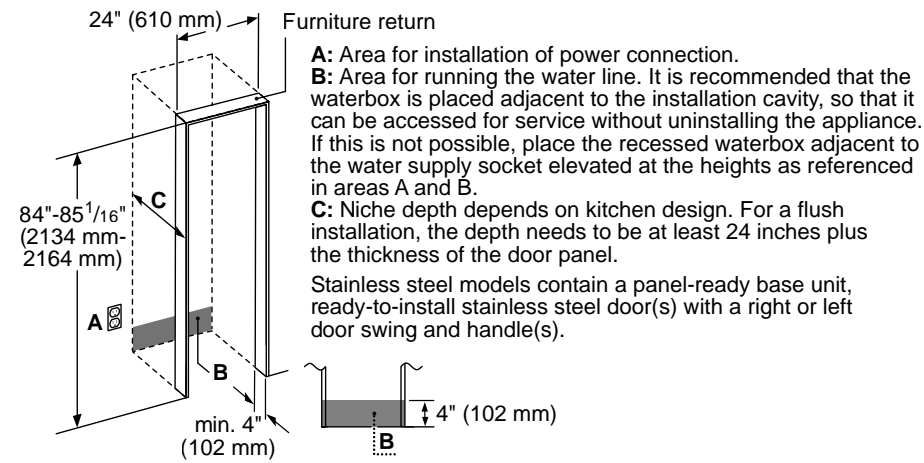


# Installation – Columns

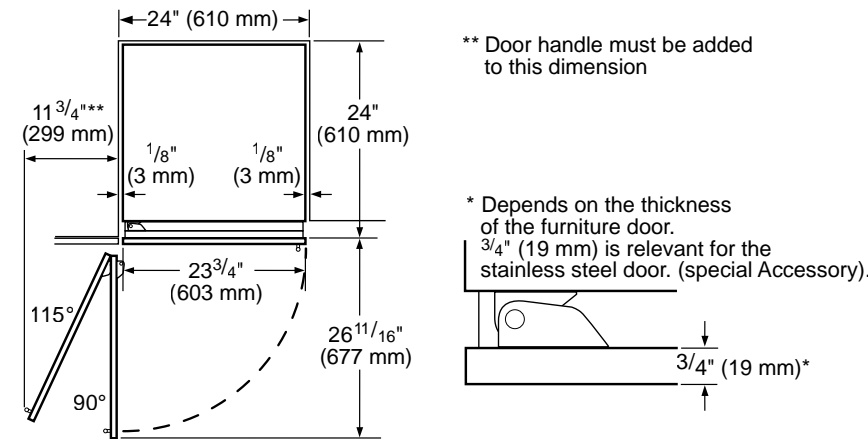
FREEDOM® COLLECTION

## 24-Inch Built-In Freezer Column With Internal Ice Maker – T24IF905SP

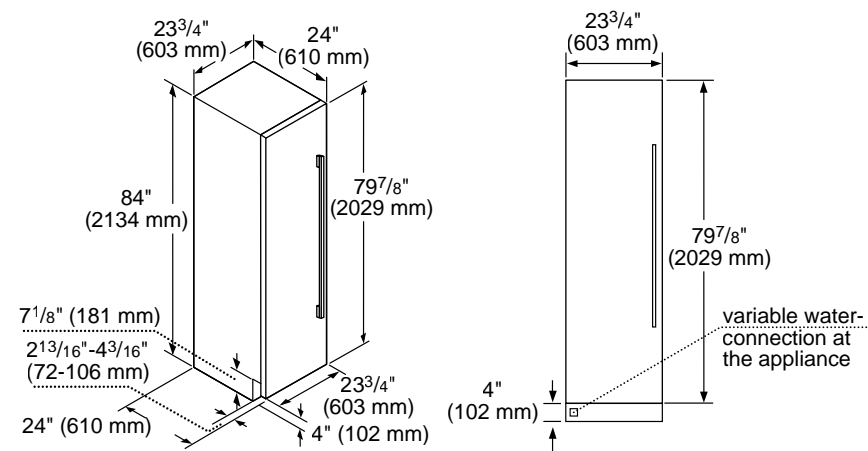
### Cutout Dimensions



### Top View Clearance



### Product and Panel Dimensions

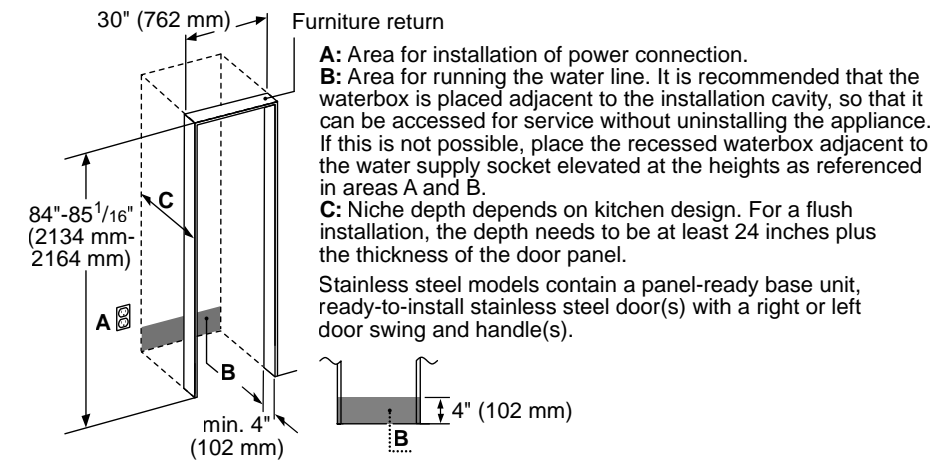


# Installation – Columns

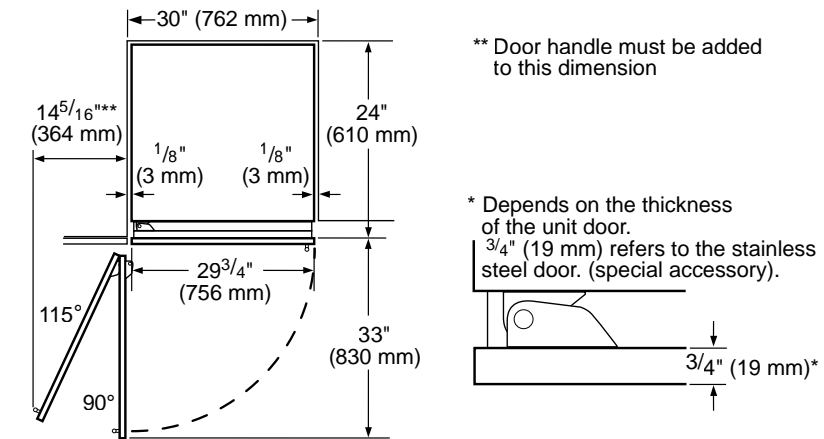
FREEDOM® COLLECTION

## 30-Inch Built-In Freezer Column With Internal Ice Maker – T30IF905SP

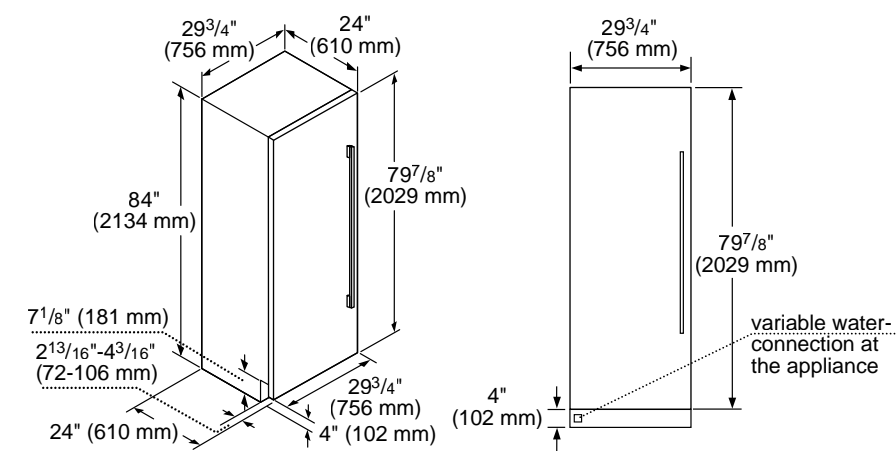
### Cutout Dimensions



### Top View Clearance



### Product and Panel Dimensions

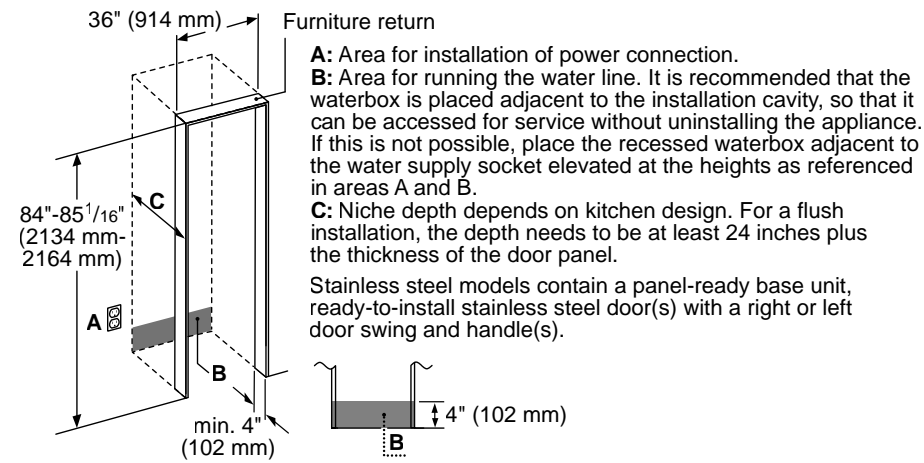


# Installation – Columns

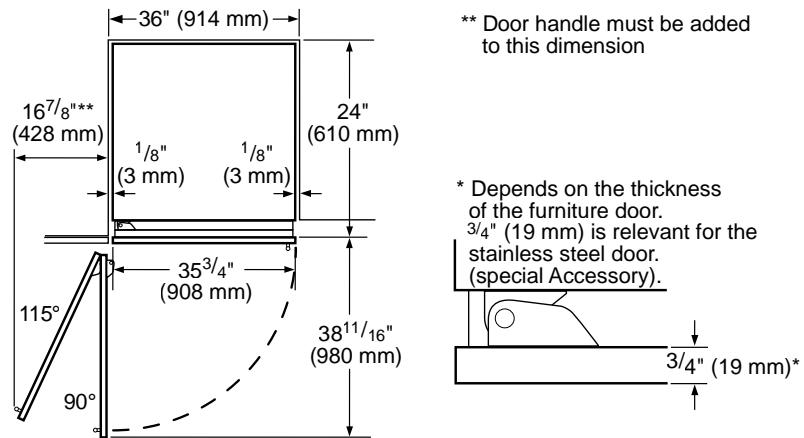
FREEDOM® COLLECTION

## 36-Inch Built-In Freezer Column With Internal Ice Maker – T36IF905SP

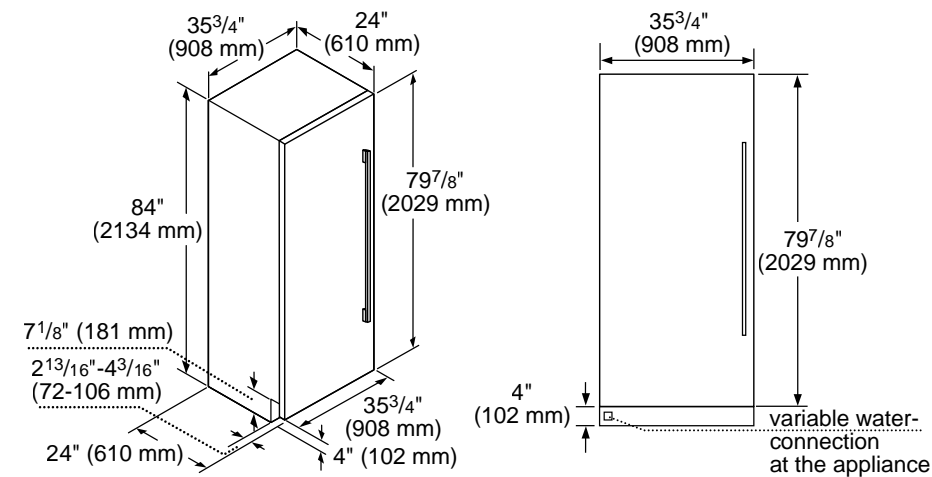
### Cutout Dimensions



### Top View Clearance



### Product and Panel Dimensions

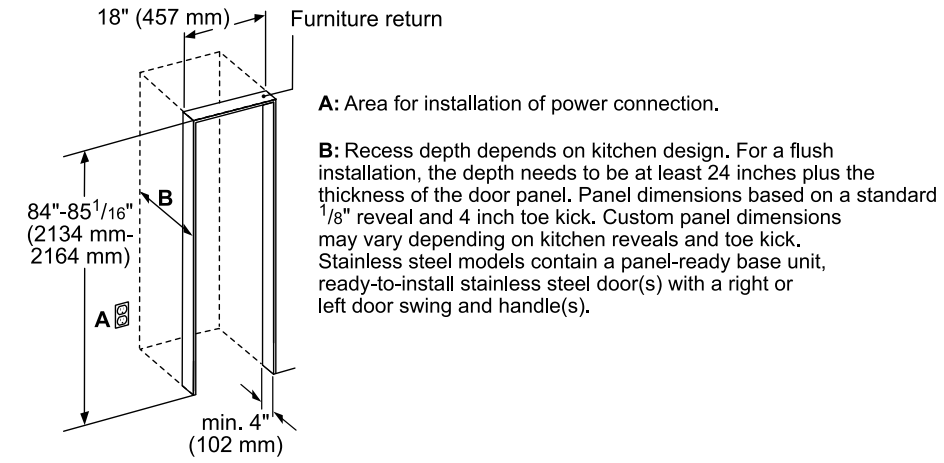


# Installation – Columns

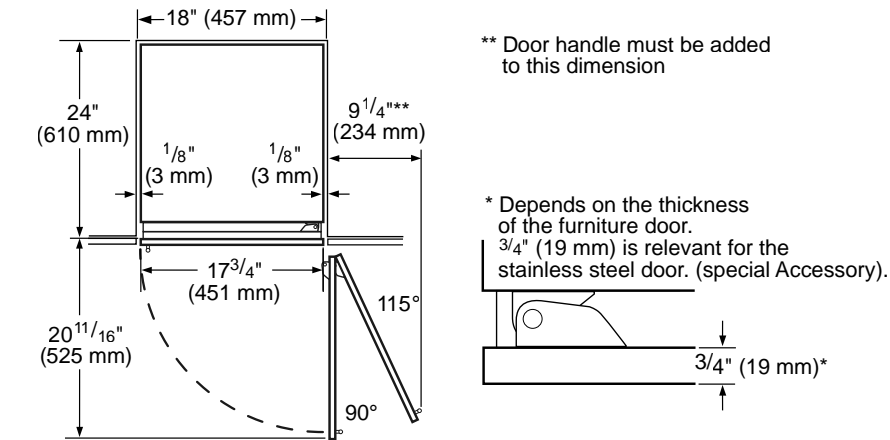
FREEDOM® COLLECTION

## 18-Inch Built-In Wine Preservation Columns – T18IW905SP

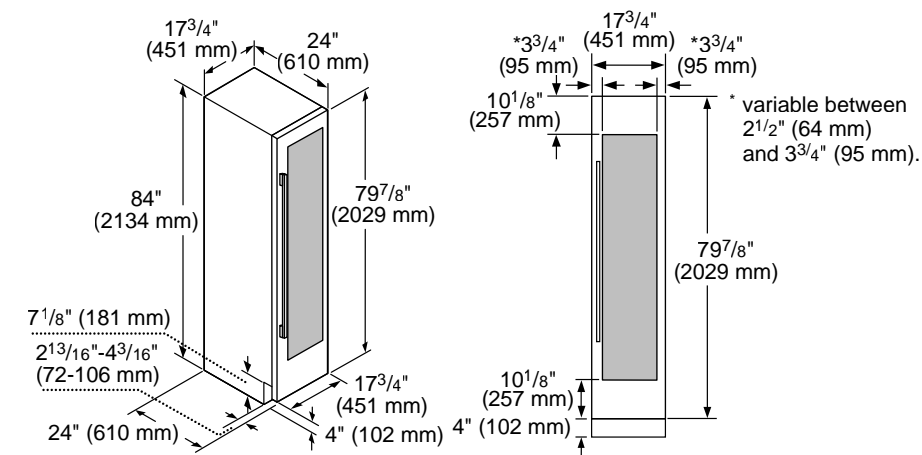
### Cutout Dimensions



### Top View Clearance



### Product and Panel Dimensions



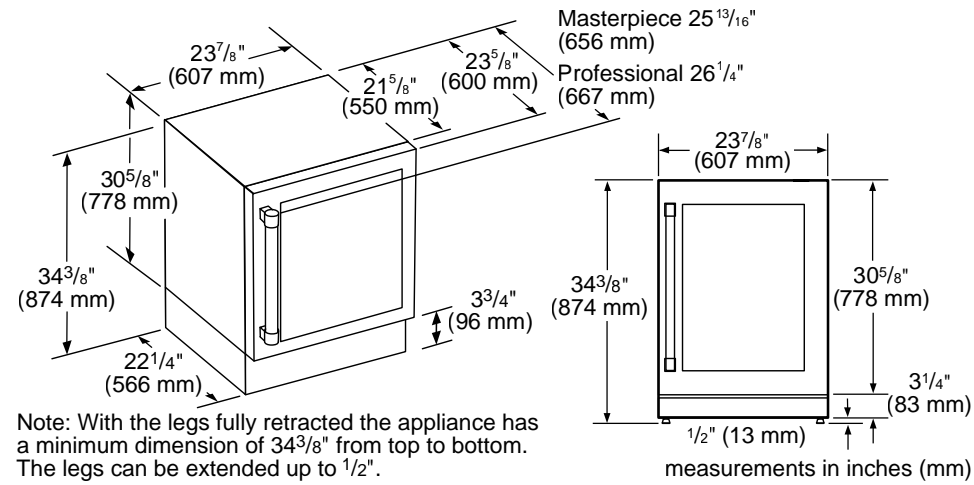


# Installation

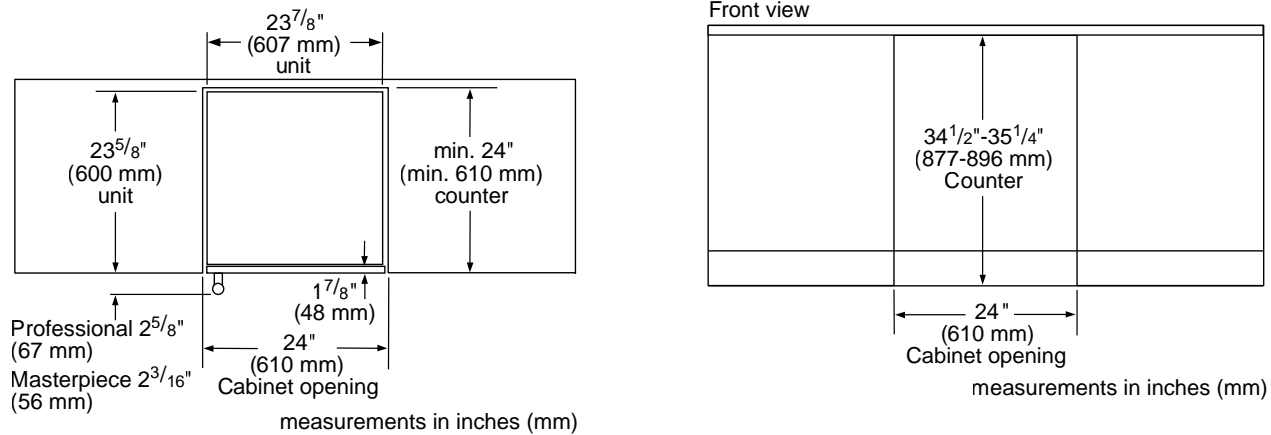
UNDER-COUNTER REFRIGERATION

## Glass Door Refrigerator and Glass Door Wine Reserve

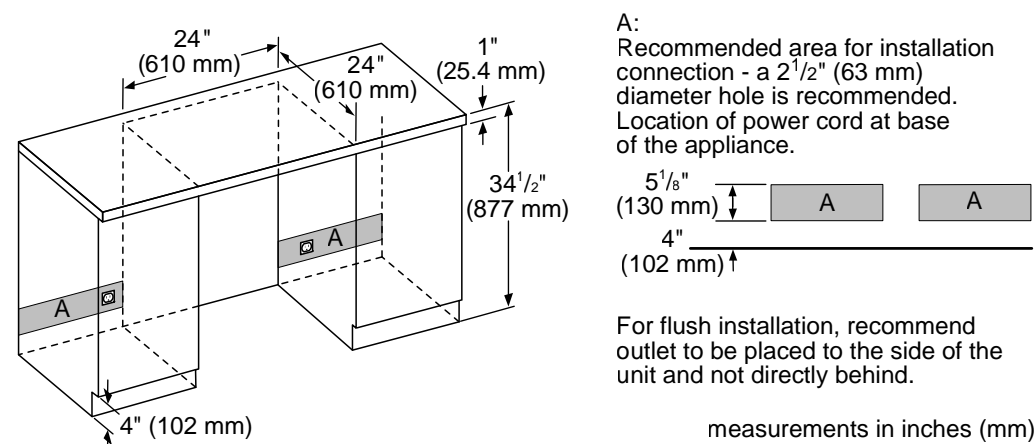
### Product Dimensions



### Cutout Dimensions



### Cutout Dimensions & Electrical Location

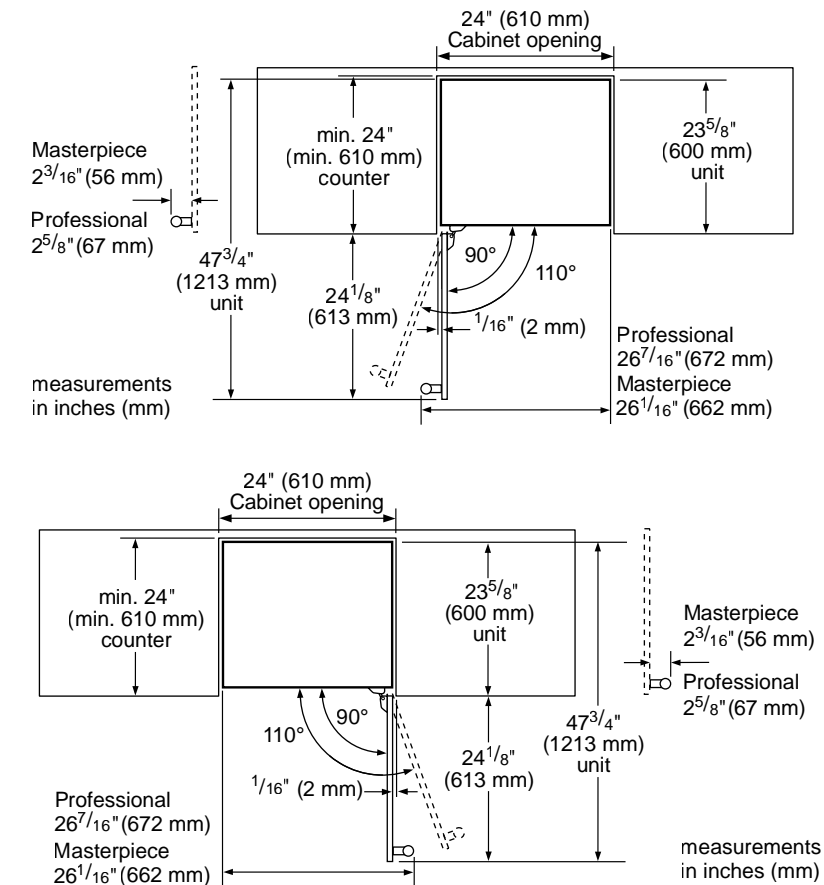


# Installation

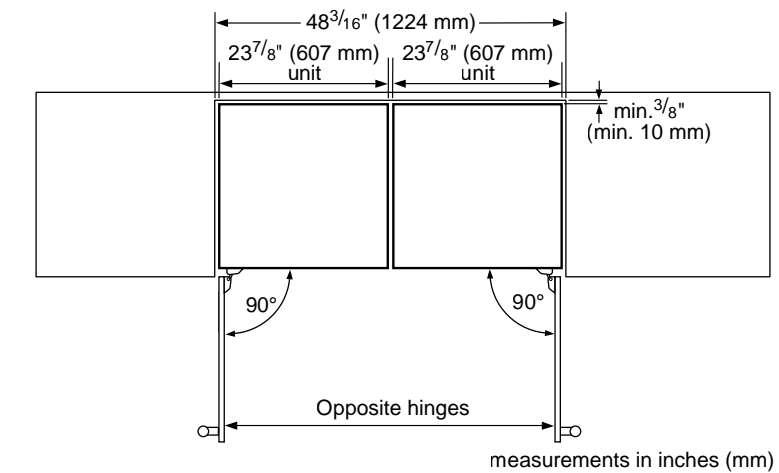
UNDER-COUNTER REFRIGERATION

## Glass Door Refrigerator and Glass Door Wine Reserve

### Cutout & Door Swing Dimensions



### Side-By-Side Installation



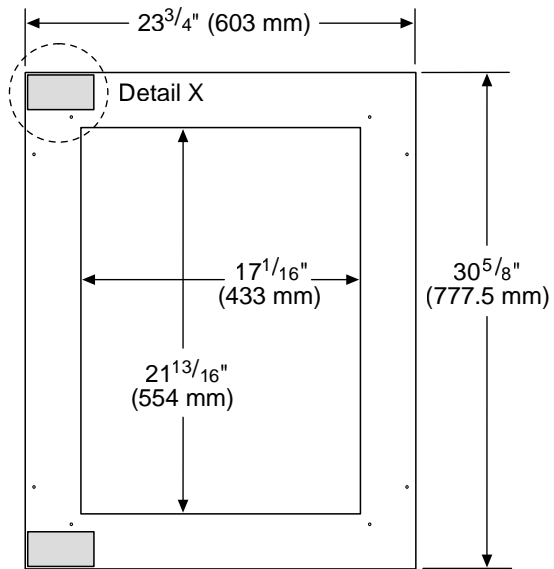
# Installation

## UNDER-COUNTER REFRIGERATION

### Glass Door Refrigerator and Glass Door Wine Reserve

#### Custom Panel Dimensions

##### Overlay Panel – Rear View



##### Important:

- The thickness of the overlay panel must be  $\frac{3}{4}$ " (19 mm).
- Overlay panel must not weigh more than 10 lbs (4.54 kg).
- Overlay panel weighing more than recommended may cause damage to your appliance.
- To install the panel, use only the screws included in the "Installation Kit".

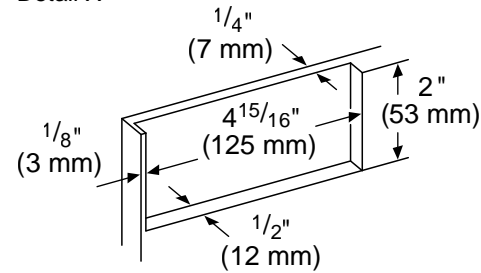
Create the custom overlay panel using the dimensions shown.

##### Important:

The following graphics show a custom panel for a door with hinges installed on the right-hand side. If your unit has hinges installed on the left-hand side, rotate the custom panel 180° so the markings will be on the left.

measurements in inches (mm)

##### Detail X

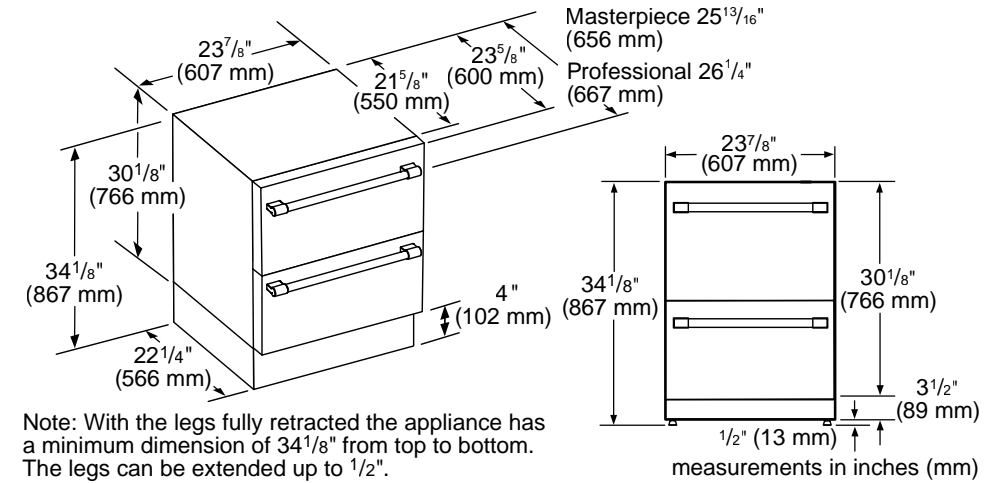


# Installation

## UNDER-COUNTER REFRIGERATION

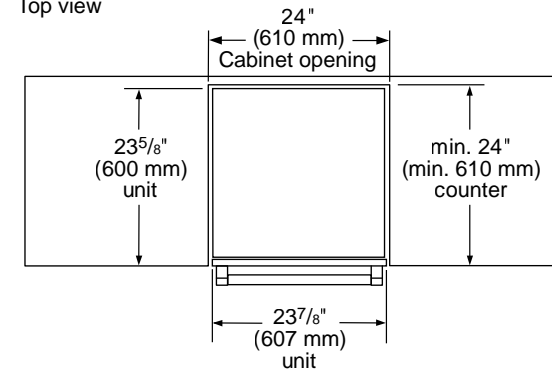
### Double Drawer Refrigerator and Double Drawer Refrigerator / Freezer

#### Product Dimensions

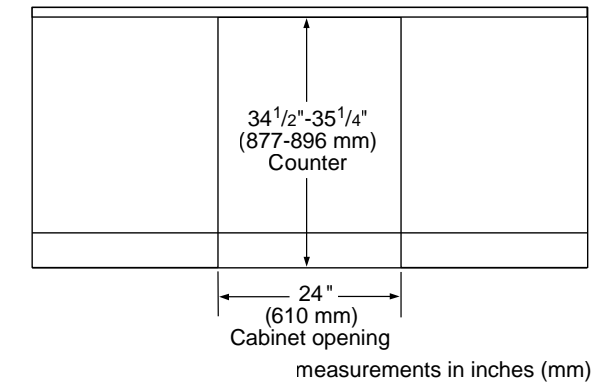


#### Cutout Dimensions

##### Top view

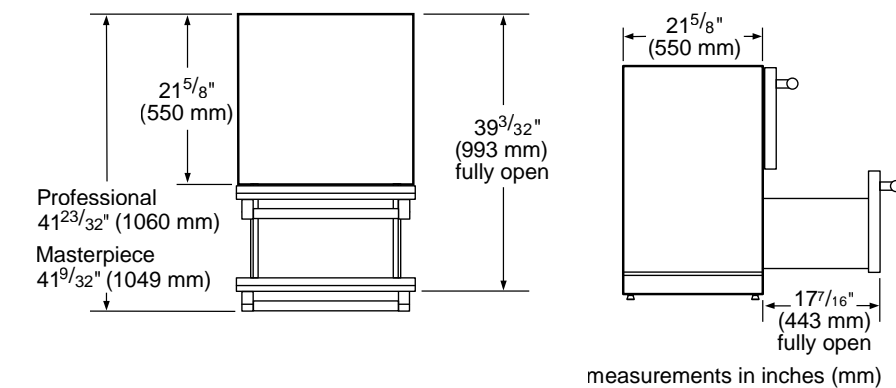


##### Front view



Thermador double drawer under counter top dimension. (Unit door flushed with the cutout) measurements in inches (mm)

#### Clearance Dimensions

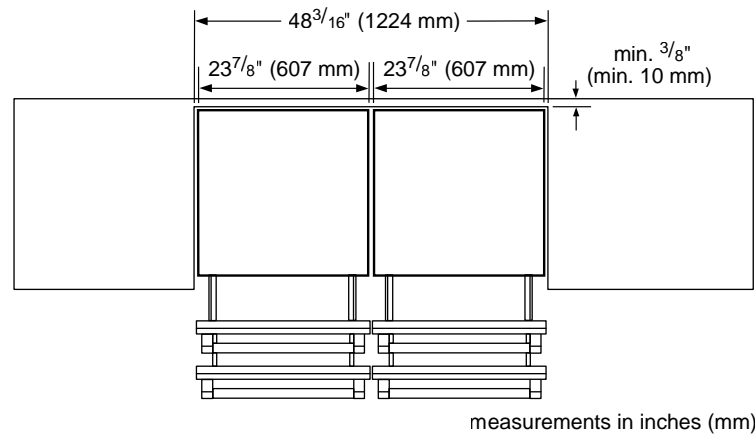


# Installation

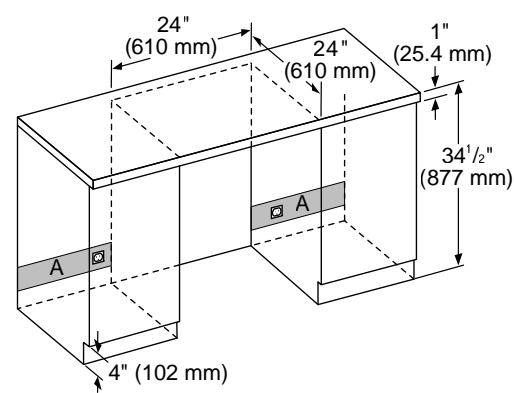
UNDER-COUNTER REFRIGERATION

## Double Drawer Refrigerator and Double Drawer Refrigerator / Freezer

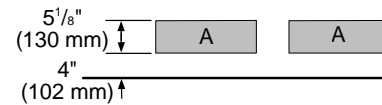
### Side-By-Side Installation



### Double Drawer Refrigerator Cutout Dimensions & Electrical Location



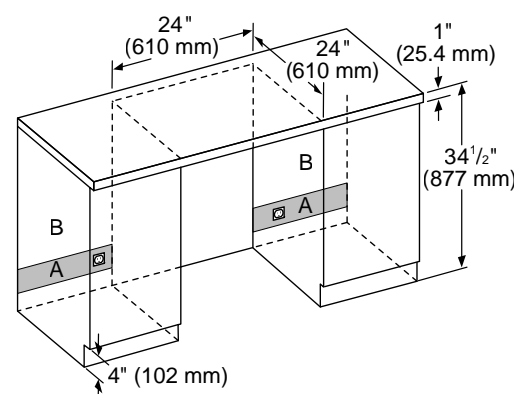
A:  
Recommended area for installation connection - a 2 1/2" (63 mm) diameter hole is recommended. Location of power cord at base of the appliance.



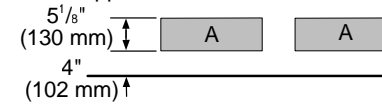
For flush installation, recommend outlet to be placed to the side of the unit and not directly behind.

measurements in inches (mm)

### Double Drawer Refrigerator / Freezer Cutout Dimensions & Electrical Location



A:  
Recommended area for installation connection - a 2 1/2" (63 mm) diameter hole is recommended. Location of power cord at base of the appliance.



B:  
It is recommended that the water connection is placed adjacent to the installation cavity, so that it can be accessed without uninstalling the appliance.

For flush installation, recommend outlet and water connection to be placed to the side of the unit and not directly behind.

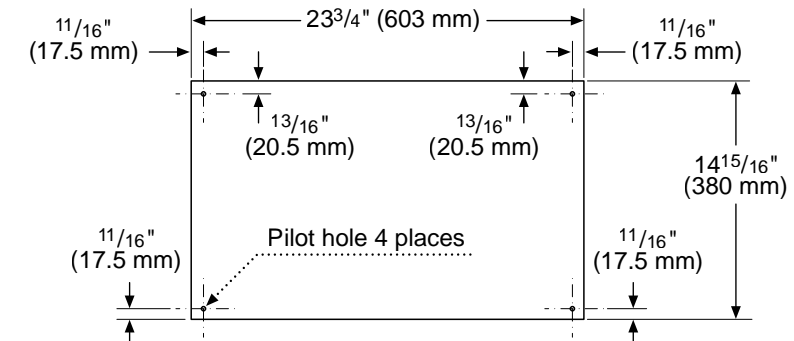
measurements in inches (mm)

# Installation

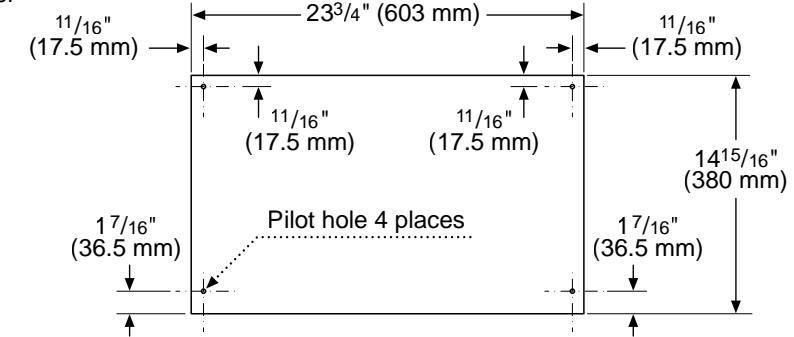
UNDER-COUNTER REFRIGERATION

## Double Drawer Refrigerator and Double Drawer Refrigerator / Freezer Custom Panel Dimensions

### Top Drawer



### Bottom Drawer



### Important:

- The thickness of both the overlay panels must be 3/4" (19 mm).
- Overlay panel must not weigh more than 10 lbs (4.54 kg) each.
- Overlay panels weighing more than recommended may cause damage to your appliance.
- It is recommended to have the help of a second person to install the panel.
- Use the recommended tools in the installation manual to facilitate the installation of the panel. Failure to use the recommended tools or the help of a second person may result in damage to panel and/or the appliance.
- To install the panel, use only the screws included in the "Installation Kit".

Create the custom overlay panel using the dimensions shown.

measurements in inches (mm)