

SIEMENS

Built-in and
freestanding
Appliances

Siemens Home Appliances

2026
Collection

Introducing coordinated and intelligently designed appliances by Siemens

Offering the perfect balance between modern design and innovative technology our range offers different value classes including iQ700; appliances with eye-catching design, cutting-edge technology and larger displays. Our iQ500 range brings the latest innovations and sleek user interfaces offering first-class appliances for any home. iQ300 and iQ100 offer more affordable options with equally tasteful design and style.

Discover the entire built-in range – for even more flexibility as well as time – and resource-saving solutions which helps support increasingly busy lifestyles. Siemens appliances include ovens that recommend the best programme to use for a dish with the Oven Assistant, dishwashers that feature the world's only Zeolith® drying system; a technological innovation that sets new standards for performance and energy efficiency. In addition our range features fridges with hyperFresh food preservation system to help keep food fresh for longer and outstanding freezers that never have to be defrosted. Not to mention A-rated freestanding washing machines that run more sustainably without compromising on performance. All working together to create an intelligently connected kitchen and utility space in the home.

Like and follow us on social media for the latest updates about our products, features and innovations.

Search **SiemensHomeUK** or **SiemensHomeIE**



#siemensintelligentkitchen

Or visit our website at siemens-home.bsh-group.com/uk or siemens-home.bsh-group.com/ie to find out more about our products and current offers.

Core range

Cooking	10-57
Cooking overview	10-25
Pyrolytic single ovens	30-31
Single ovens	32-35
Compact ovens	36-38
Microwaves	39-40
Warming Drawers	41
Accessories	42-43
Coffee centres	44-51
Technical diagrams	52-57
Hobs	58-105
Hobs overview	58-73
Hob accessories	74-75
inductionAir Plus hobs	78-79
flexInduction hobs	82-84
Induction hobs	85-87
quickLite ceramic hobs	89
Technical diagrams	90-93
Gas hobs	98-99
Technical diagrams	100-101
Domino hobs	102-103
Technical diagrams	104
Hoods	106-151
Hoods overview	106-115
Worktop ventilation	120-121
inductionAir Plus hobs	122-123
Decorative hoods	126-127
Box chimney hoods	131-132
Integrated design hoods	138-140
Hood accessories	141
Canopy hoods	143-144
Telescopic hood	145
Technical diagrams	146-151
Cooling	152-221
Built-in	
Cooling overview	152-165
Fridge freezers	172-175
Single door fridges and freezers	176-179
Wine cabinets	180-181
Technical diagrams	182-187
Freestanding	
Cooling overview	188-203
Wine cabinet	209
Multi-door / American Style fridge freezers	210-211
Fridge freezers	213-215
Upright single door fridges	216-217
Upright single door freezers	218-219
Technical diagrams	220
Dishwashers	222-251
Built-in	
Dishwashers overview	222-231
60cm fully integrated dishwashers	234-237
45cm slimline dishwasher	238
Technical diagrams	239
Freestanding	
Dishwashers overview	240-248
60cm dishwashers	250-251
Laundry appliances	252-283
Built-in	
Laundry overview	252-257
Washing machine	258
Washer dryers	259
Technical diagrams	260-261
Freestanding	
Laundry overview	262-275
Washing machines	278-279
Tumble dryers	280-281
Washer dryers	282-283



A perfect union of intelligent technology and outstanding design

Award winning German Engineering.

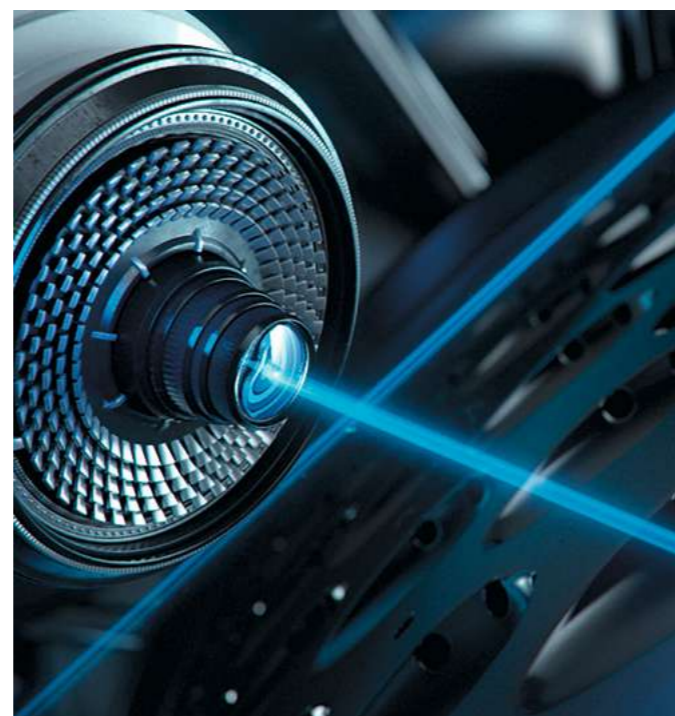
Over 150 design awards in the past 10 years

Our design excellence has been richly rewarded in the past years with numerous iF Design Awards, German Design Awards and Red Dot Design Awards. Delivering a range of appliances equipped with smart technology, unparalleled user experience, and lasting, clear design aesthetics.



Driving innovation forward.

Siemens home appliances offer the perfect balance between modern design and innovative technology, all working together to create an intelligently connected kitchen and utility space in the home. These appliances deliver outstanding performance while offering consumers more flexibility and control over daily household tasks, as well as providing resource and time-saving solutions to help support increasingly busy lifestyles.



A rich heritage.

Siemens has pushed the boundaries of home innovation for more than a century. Today, our appliances not only set a new standard in applied technology, they redefine the way we run our households. Simplifying and re-defining our day-to-day, with inspiring and intuitive features and functionalities.

Our commitment

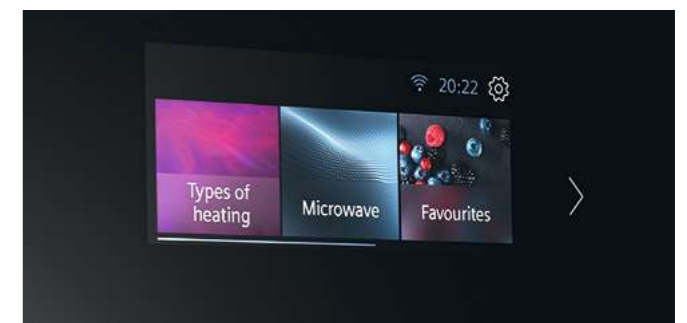
We are committed to offering high-quality products through superior craftsmanship, innovative technologies, and attention to detail. We maintain strict quality control measures throughout the production process to ensure that our products meet rigorous standards. This dedication to quality is reflected in the performance, longevity, and overall customer satisfaction with Siemens appliances.

Handpicked materials

Premium materials, like high quality glass and steel combine together to stir the senses with their colour and texture while remaining highly functional.

Intuitive user interfaces

We strive to provide the most user-friendly experience by enabling smooth navigation and access to everything needed with a swipe of a finger thanks to clear and interactive interfaces.



Exceptional care, as standard



Award-winning Customer Service

We empower our customers not only with the latest innovations but also through our dedicated customer service. That is why our products and service is rated 'excellent' on Trust Pilot.

- Get product advice on using our appliances or help with choosing a new Siemens appliance.
- Register a Siemens appliance and extend the warranty if available.
- Arrange a repair for a Siemens appliance by one of our Siemens engineers.*
- Locate and buy replacement spare parts and accessories.

0344 892 899

01450 2655

For opening hours, please visit our website.

Calls are charged at the basic rate, please check with the relevant telephone service provider for exact charges.



Rated excellent 4.7 / 5

February 2026

*In some areas of the UK and Ireland we use selected and approved service partners to carry out repairs on our behalf where the repair price and process may vary.

Our warranties for added peace of mind

Why register?

- Quick access to customer service and support.
- Convenient access to your warranty certificate.
- Enjoy exclusive online offers when you opt-in.
- Stay on top of safety updates for your appliance.

2 year warranty.



Siemens offers a 2 year warranty as standard across our built-in and freestanding range for added peace of mind. This warranty covers manufacturing or material faults and defects during this warranty period.

Call to register your 2 year warranty*

0800 519 2116

01 230 0344

*Calls are handled by our warranty partner Domestic and General. National and Irish rates apply. Check your telephone provider for more information.

5 year warranty.



studioLine appliances across the Siemens range come with a 5 year warranty as standard, for exceptional peace of mind. This warranty covers manufacturing or material faults and defects during this warranty period.

From time to time, Siemens may present additional warranties on either products or defined components of a product which are time limited offers. The Siemens 5 year warranty covers manufacturing and material faults. *Offer dates: 01.04.26 – 31.03.27. Online registration required.

To check if a product qualifies for an additional warranty, please contact us:

Call to register your 5 year warranty

0344 892 899

01450 2655

Or register online:

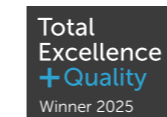
UK: www.siemens-home.bsh-group.com/uk/customer-service/siemens-warranties

IE: www.siemens-home.bsh-group.com/ie/customer-service/warranty

Or scan the QR codes:



Repair service.



If a Siemens appliance needs a repair, we are here to help with our team of over 340 locally based engineers across the UK, all employed and trained by Siemens. This gives them unrivalled knowledge and expertise in repairing our appliances. Each team member undergoes over 400 hours of training before attending customer call-outs, ensuring added peace of mind.

It is easy to book, and manage an engineer visit online or via our call centre (see above for contact details).

Book or manage a repair online at:

UK: www.siemens-home.bsh-group.com/uk/customer-service/repair

IE: www.siemens-home.bsh-group.com/ie/customer-service/repair

Or scan the QR codes:



Online help.

Prefer to receive help online?

Siemens also offers a high quality comprehensive range of online services. Our online support offers help getting familiar with our appliances, find user manuals, browse FAQs, get useful tips and have full control over an engineer booking.

Visit our online customer service portal at:

UK: www.siemens-home.bsh-group.com/uk/customer-service/

IE: www.siemens-home.bsh-group.com/ie/customer-service/



Online shop.

Accessories and cleaning products.

Well maintained appliances last longer, this is why we offer everything needed to look after any of our appliances on the Siemens online store. Our tested and approved cleaning and care products can be found there, along with other accessories ranging from a water filter for fridges, to a Teppan Yaki grill plate for hobs.

Shop online at:

UK: www.siemens-home.bsh-group.com/uk/shop

IE: www.siemens-home.bsh-group.com/ie/shop

Additional warranties on selected appliances.



10 Year Compressor Drive Warranty

Available on selected Siemens fridges and freezers, this warranty covers defects in the compressor motor.



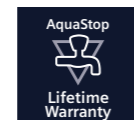
10 Year Anti-Rust Warranty for dishwashers

Protects against rust in the inner cavity of the appliance during this warranty period. Applies to all Siemens dishwasher appliances only.



10 Year iQdrive® Motor Warranty

This warranty covers defects of the iQdrive motor on Siemens washing machines and selected washer dryer models that feature the iQdrive motor.



Lifetime AquaStop Warranty

A lifetime warranty to protect against water damage caused by defective AquaStop system. Applies to selected Siemens laundry and dishwasher appliances only.



Spare parts.

Siemens keeps a comprehensive range of replacement spare parts for up to 15 years*. You can browse our exploded view diagrams on our store or speak to an advisor on the phone to help you locate and buy the spare parts you need.

Shop spare parts online at:

UK: www.siemens-home.bsh-group.com/uk/shop/search-parts

IE: www.siemens-home.bsh-group.com/ie/shop/search-parts

*As far as functionally relevant and storable for Siemens Home Appliances manufactured after 1st January 2023.

Intelligently connected, a growing world of possibilities

Take the next step into the future as Siemens Home Connect redefines the everyday with future driven innovations.



Download and install the Siemens Home Appliances App.



Partners brought to you by Siemens Home Connect.



At Siemens, we don't believe kitchens are fully evolved. We use intelligent technology to constantly adapt and anticipate your changing needs, offering smart appliances integrated with cutting edge design.

Siemens appliances with Siemens Home Connect offer even more possibilities – from the everyday to the not so everyday.

Ovens

- Recipes: The Siemens Home Appliances App recipe section offers a large variety of dishes, with the ability to send settings directly to the oven from the app.
- Remote control: Our smart ovens can be operated remotely from anywhere, such as preheating the oven on the way home to save time.
- Oven Assistant: Select from a broad range of dishes to automatically set the oven to the ideal temperature and cooking mode to get perfect results on the chosen dish.

Coffee machines

- coffeeWorld: A wide range of additional coffee specialties from around the world are available exclusively from the app.
- coffeePlaylist: A playlist can be built by asking each guest to submit their own coffee preferences via the app and the whole beverage list can then be transferred remotely to the coffee machine. The drinks will be prepared one after the other.

Hobs and hoods

- Notifications: Helpful push notifications aid to stay on top of maintenance, such as knowing when to replace the grease filters.
- Hob Assistant: Packed full of dishes to make cooking on the hob simple as settings are sent directly to the hob to help achieve perfect results.
- Hob-Hood Control: Siemens hobs and hoods with Siemens Home Connect work together intelligently. The hood will switch on and adjust its settings automatically as needed based on the hobs output.

Fridge freezers

- Remote control: The Siemens Home Appliances App, makes controlling the temperature and settings simple. It also sends helpful push notifications, such as reminders when the door is left open.
- Inventory: The app can help keep track of what is in the fridge easily, as well as suggests ideas for No Waste recipes to ensure ingredients get used up in time.

Dishwashers

- Remote control: The washing cycle status can be started and checked remotely or push notifications sent, such as when the programme is complete or rinse aid needs topping up to make dishwashing fit any lifestyle.
- Programme Assistant: Simply select the type of dishes and cleaning preference on the app and Siemens Home Connect will suggest the best cycle for the load, to make dishwashing stress free and straight forward.

Washing machines and tumble dryers

- intelligentDry: Load details can be automatically sent from the washing machine to the dryer to help it select the optimum drying programme. Once the drying programme has finished, it will ask for a rating to help inform the settings of future cycles.
- easyStart: A few simple questions about the load help the app recommend the ideal programme to use. Then all that is needed is to tap start.

Our world has turned into an ever-growing network of partner services, to help turn any house into a fully connected home.

Reduce the effort of household tasks with Amazon Alexa and Google Home

With the Siemens Home Connect skills, voice control can be used for easy interaction with connected appliances at home. From simple dialogues to personalised interactions, managing the household is made even easier. With just a few simple commands, it is possible to start the laundry programme, preheat the oven, check the dishwasher progress or ask for a coffee to be made. A world of exciting possibilities await when using a voice assistant with the Siemens Home Appliances App.

Intelligent Supply.

Uninterrupted Performance

Seamlessly integrated within the Home Connect ecosystem, Amazon Smart Reorder introduces proactive automation to household management. The appliance intelligently tracks the consumption dishwasher tabs, and automatically places a timely reorder before they are depleted. This eliminates the need for manual inventory checks and ensures the appliance is always prepared for optimal performance, delivering uninterrupted convenience engineered for a connected world.



Try demo

For a better understanding of the features available on the Siemens Home Appliances App, download the app and use the demo function without registering appliances.

To experience the demo mode use the QR codes to download the free Siemens Home Appliances App, tap 'add appliances' on the home screen and choose from a range of demo appliances to experiment with.



Apple App Store



Google Play Store

1926 - 2026: Happy birthday, oven!

100 years and counting



In 2026, Siemens celebrates 100 years of oven innovation. A journey that began in 1926 with the People's Cooker, a pioneering invention that transformed kitchens and redefined everyday cooking. This milestone reflects our commitment to innovation and progress, while setting the stage for the future of home cooking.

Beautiful to the eyes, while catering to the needs of its user: our ambition to combine intelligent technology with exceptional design has resulted in meaningful innovations that inspire and engage.

Today, we offer a full spectrum of oven solutions – from full steam ovens and microwave combination ovens, to models with integrated steam functions.

Since 2014, the addition of Home Connect has enabled remote use of the oven, access to recipes and automatic programmes, and the option to save favourite settings for effortless cooking.

In 2022, the AI-powered iQ700 oven supports culinary ambitions with intelligent assistance while their large, easy-to-read display and intuitive control panel enable smooth navigation with just the touch of a finger or by voice control.

From our earliest baking tubes to today's smart ovens enhanced by artificial intelligence, Siemens stands for intelligent technology designed to make life at home more enjoyable, connected and inspiring.



The perfect line up. Coordinated and intuitive cooking experiences

From ovens, to warming drawers, to coffee centres. Siemens clean lines and matching intelligent appliances allow for perfect design coordination.

Ovens

Siemens built-in ovens impress with their sleek finish and premium materials. They can be fitted alone or coordinated with other Siemens appliances for a design statement. Their ability to be installed independently allows full flexibility to fit appliances under work surfaces, in tall units or in a bank with other appliances. These multiple combinations give full freedom with the kitchen design, not to mention state-of-the-art technology and intelligent features which save time when cooking.

Compacts

With the variety of appliances in our compact built-in range, Siemens provides a combination of options to suit preferences, while delivering complete visual perfection. Siemens 45cm and 38cm high compact appliances allow for a full array of cooking configurations. Depending on the range and model, compact ovens are available with steam or integrated microwave, offering space-saving design without compromising on style or utility.



Cooking

Siemens cooking warranties:



2 year warranty

A two year warranty is available on all Siemens ovens and compact appliances listed in this brochure to protect against manufacturing and material faults during this warranty period.

To find out more about warranty and for registration, please visit:
UK: siemens-home.bsh-group.com/uk/customer-service/siemens-warranties
IE: siemens-home.bsh-group.com/ie/customer-service/warranty

Discover intelligent ovens that adapt to individual needs



Models shown: HM778GMB1B single oven, CT718L1B0 coffee machine, BI710C1B1B warming drawer, CM778GNB1B compact oven, BI710C1B1B warming drawer

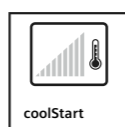
Key features within the iQ700 and iQ500 range



fast preheat

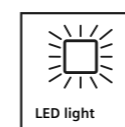
No more tedious waiting for the oven to reach the right temperature.

The fast preheating feature activates multiple heating elements simultaneously to get to the desired temperature very quickly.



coolStart

Cooking certain frozen and chilled foods in the oven is now even faster – thanks to the innovative coolStart function. Without the need to wait for the oven to reach the set temperature, frozen and chilled foods can be successfully cooked without preheating, while still using the recommended cooking time.



Everything put in a good light.

Depending on the model, there are different kinds of illumination inside the oven. Whether it is the standard halogen light, LEDs or the most advanced multi-level LED strip, they all provide a brilliant view into the oven without having to open the door.



Electronic control

Depending on the function selected, the oven will suggest a suitable temperature which can be manually adjusted. The selected temperature is displayed digitally and a heating up indicator shows the progress towards the set temperature. The same indicator shows residual heat once the oven is turned off. Get quick access to performance features like cookControl Plus and cookControl Pro whilst being safe in the knowledge that if left unadjusted for a period of time, the oven will switch off automatically.



Get more with Siemens Home Connect



Partners brought
to you by Siemens
Home Connect



amazon alexa

works with
Google Home

IFTTT



Our range of smart cooking appliances with Siemens Home Appliances App are designed to work intelligently for the user.

From easy set-up, quick access to user manuals, scheduling pyrolytic cleaning start times to fit consumers' needs, to notifications to clean cooker hood filters; Siemens cooking appliances with Siemens Home Connect intelligently make everything easy and more accessible.

In safe hands.

Siemens cooking appliances are equipped with intelligent sensors to help get the best results when cooking. For example, the 'dishes' section on the app will suggest the best cooking settings for a chosen dish.

The vast choice of recipes in the recipe section of the Siemens Home Appliances App provide inspiration for budding or experienced home cooks alike. Once selected the cooking settings of the recipe can be transferred automatically to the oven intuitively from the app.

A growing world of partners.

The constantly growing network of partner solutions opens up completely new perspectives and networking possibilities. For an everyday life that is efficient and exciting like never before.

The Siemens Wi-Fi-enabled ovens connect to a wide range of smart devices and services. With partners including voice assistants, recipes, energy management, shopping and reordering – connecting appliances to the Siemens Home Appliances App brings a whole world of opportunities.

Intelligent thinking, intelligent design.

We enable multiple ways to control our appliances to help when hands are full or life becomes busy – voice, tablet, and smartphone. There are countless applications that can be precisely tailored to the user's needs. With the Siemens Home Appliances App and the relevant partner, the whole household can now be controlled with just one click. Everyone can create their own personal scenarios; for example by automating the switching off of various devices as they leave the home. An all-in-one solution for intelligent home automation.

Said. Done.

Appliances can be controlled without lifting a finger, by simply asking Amazon Alexa or Google Home to start the oven, or even asking how long it will take until dinner is ready. The oven can even be controlled easily by voice while relaxing on the sofa.

Joined up thinking.

Depending on the model, our smart ovens with roastingSensor know when the dish is done perfectly and switches itself off to avoid wasting energy unnecessarily. Complete control is at hand with Siemens Home Connect.

Enduring performance.

Downloadable programmes and software updates ensure the oven is always at the cutting edge of technology.

Knowledge at the touch of a button.

No need to search for the manuals hidden in the kitchen drawer, they can be accessed anytime easily with a simple tap via the Siemens Home Appliances App.



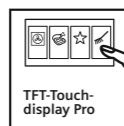
Uncompromising design and technology: iQ700

Introducing features unique to the Siemens iQ700 ovens and compact appliances range.

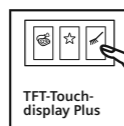
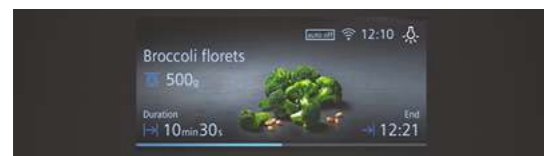
Models shown above: **HM778GMB1B** single oven, **CT718L1B0** coffee machine, **BI710C1B1B** warming drawer, **CM778GNB1B** compact oven, **BI710C1B1B** warming drawer.

Display options available for iQ700 single ovens and compact ovens.

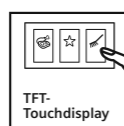
The iQ700 range oven menu comes with a high resolution TFT Touchdisplay in three different sizes. Each display type is designed to complement each other and coordinate effortlessly. The high-contrast colour screen offers smooth and intuitive navigation and gives access to all features by a simple touch. It is even easier to select the perfect settings with 'favourites' which can be accessed directly from the main menu.



TFT Touchdisplay Pro
Our largest high-contrast colour display is easy to read from any angle, allowing easy and comfortable operation of the oven.



TFT Touchdisplay Plus
A smaller display but still with the same colour, high-contrast display. The TFT Touchdisplay Plus is the intuitive and satisfying control centre of the oven.



TFT Touchdisplay
Our smallest display in the range but no less equipped to make the cooking experience effortless and help get the most from the oven.

Thanks to activeClean®, ecoClean®, ecoClean® Plus, Intensive Steam Clean* and humidClean by Siemens, cleaning the oven becomes simple and effortless.



Ovens with activeClean®
Baked on food and grease can be removed at the push of a button without any need for chemical treatments. Hassle-free, the oven cleans itself thoroughly with activeClean®. It does so by heating up to a very high temperature – turning all residues into ash, which can easily be wiped away. This process is called pyrolysis and is an extremely convenient and efficient way to clean the whole interior of the oven saving time and effort.

For iQ700, the optional telescopic rails and full width enameled pan are specially designed to be used with activeClean® so they do not need to be removed during the cleaning process. Only the wire shelf needs to be removed.



activeClean® – ovens that clean themselves



Intensive Steam Clean*
This function offers an innovative approach to oven maintenance. This intelligent, steam-based cleaning cycle is engineered to soften stubborn grease and food residues, reducing the manual cleaning process. This gentle yet effective method reduces the risk of scratches to the interior surfaces and minimises the potential for residual odours. Designed for simplicity and safety, the entire process operates at a precisely controlled water temperature that remains below 60°C, ensuring a safe and efficient result.

*From September on selected appliances only



Ovens with ecoClean® and ecoClean® Plus

A special coating applied directly to the inside of the oven (please check specification of individual models), ecoClean® and ecoClean® Plus make cleaning the oven easy. The coated area cleans itself while the oven is on and models with back, roof and side coating benefit from a special cleaning programme.



humidClean Plus

For faster cleaning, dirt is softened beforehand by vaporising soapy water. Simply add a drop of detergent to 400ml of water, pour the solution onto the centre of a completely cooled cooking compartment and set the cleaning programme. Once done the soiling can easily be removed with a dish cloth or soft brush.



Cleaning and de-scaling

Finished with a durable enameled interior, most Siemens compact 45cm combination ovens with steam feature dedicated cleaning and de-scaling programmes.



Drying programme

This programme can be used after each use to dry residual moisture inside the cavity of the oven.



iQ700 ovens and compacts are designed to complement one another.

An option for every need.

The Siemens oven range offers a wide selection of options to choose from which can be combined in a bank or in a row. From single ovens with an easy clean solution such as activeClean, to an oven with steam function. They can be combined with an additional compact model such as coffee machine or oven with integral microwave.

Cooking with steam.

The Siemens compact steamer and steam combination ovens provide the benefit of steam together with perfect design coordination. Steam and added steam cooking has increased in popularity in the past few years. Not only does this offer healthier cooking options as steam retains vitamins and nutrients, but also maintains the visual appearance of many foods. With fullSteam Plus, healthy can also be convenient. Using the perfectly balanced combination of steam and heat at 120°C, dishes finish cooking up to 50% faster than using the standard 100°C steam function.

The coffee solution.

For coffee connoisseurs, adding a Siemens coffee centre to the design can be a great solution. This versatile machine will provide a variety of specialist coffees at the touch of a button.

Keep it warm.

The Siemens iQ700 range also includes warming drawers. Primarily designed to pre-heat crockery and keep cooked food warm, these drawers can also slow cook, prove dough and defrost.

Available in 14cm or 29cm high options, they combine perfectly with single ovens and 45cm compact models in column or side by side in bank installations. For optimum design coordination, choose iQ700 models with matching TFT displays.



Models shown: HM778GMB1B single oven and HS758G3B1B single oven



Models shown: HM778GMB1B single oven, CT718L1B0 built-in coffee centre, BI710C1B1B warming drawer, CM778GNB1B compact oven and BI710C1B1B warming drawer



A built-in kitchen assistant.



cookControl Pro

Pre-installed, automated baking and roasting programmes in the oven guarantee ideal preparation. The chosen dish can be simply selected via the clearly arranged TFT Touchdisplay and the oven's sensors then control the process. The preferred result can be selected from various suggestions depending on time or preferences. The oven automatically applies the correct settings and functions then turns off when the dish is ready. More programmes can be downloaded by connecting the oven with a registered Siemens Home Appliance App account.

In addition to pre-installed programmes, cookControl Pro gives access to additional special sensors or heating modes depending on the appliance.



The same great results in up to half the time.



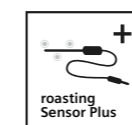
varioSpeed

When time is of the essence use the varioSpeed function to cut down cooking time by up to 50%.

Intuitive to use and a real "all-rounder" – add the microwave function to the chosen heating mode to enjoy delicious and refined dishes faster.

varioSpeed delivers outstanding results such as soft textures and crispy crusts all in record time.

Achieve the best results.



roastingSensor Plus

Thanks to three measuring points, the innovative roasting thermometer is able to precisely and reliably measure the core temperature of a wide range of foods. Ideal for meat, poultry and fish, it can even be combined with the integrated microwave and the pulseSteam function. The roastingSensor Plus removes the need to keep checking on food.



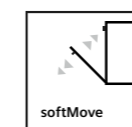
bakingSensor Plus

Thanks to bakingSensor Plus the oven can detect when the baking process is complete. Select the required dish and the innovative sensor technology fitted inside selected iQ700 ovens can automatically control the baking process for consistently delicious results. The bakingSensor constantly measures the humidity levels in the oven interior and is therefore able to determine when the dish is fully cooked and ready.



roastingSensor Plus

Smooth operator.



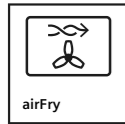
softMove

For effortless operation of the oven door, the dampers ensure gentle and quiet opening every time. Available on all iQ700 built-in ovens.



softMove

Fast, even crisping: the smarter way to fry.



airFry

The Siemens airFry function combines high-speed hot-air circulation with targeted grill heat to produce rapid, even browning and crisping while using only a fraction of the oil required for traditional deep frying.

The dedicated air-fry grill tray – available as standard on all iQ700 ovens and compact ovens (excluding steam models) – elevates food so hot air can circulate all around it, promoting surface Maillard reactions for a crunchy exterior and sealing in moisture for a tender interior; at the same time reducing cooking and preheat times to improve energy efficiency.

Because the mode concentrates heat where it's needed, it delivers consistent results across a wide range of foods – from fries and wings to fish, vegetables and baked treats – while reducing oil consumption and surface splatter, which also makes cleaning easier.

The function is activated via a downloadable setting in the Siemens Home Appliances App and can be combined with other heating modes for added flexibility.

A straightforward and versatile alternative to conventional frying.



Accessory shown: HZ629070 air fryer and grill tray

Cooking flexibility.



4D hotAir

The innovative technology of the fan motor enables optimum heat distribution around the interior of the oven, as the oven is programmed to change the rotating direction of the fan every few minutes. Due to even distribution of heat within the cavity, cooking on up to 4 shelf levels is possible (for compact appliances up to 3 shelves). Food therefore always turns out perfectly, no matter which shelf it is placed on.

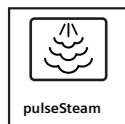


Steam cooking. The healthy way to cook.



fullSteam Plus

The steam function of the iQ700 oven is not only a healthier way of cooking, it is also faster. The perfectly balanced combination of steam and heat at 120°C finishes dishes up to 50% faster than using the standard 100°C steam function. Ideal to preserve vegetables' fresh colours and retain vitamins and minerals. Even firm vegetables like potatoes and carrots become perfectly tender, making fullSteam Plus one of the most convenient ways to prepare a delicious and healthy meal.



pulseSteam

Siemens ovens and compact appliances with pulseSteam are real all-rounders for more flexibility when cooking. Steam can easily be added while baking and roasting with hot air. Multi-function options offer the perfect cooking method for any food, preserving everything that is important: flavour, smell, texture and nutrients. Siemens combi-steam ovens do not just work with hot air but also with top and bottom heating and grilling, so bread, cakes and roasts come out just right: crisp on the outside and moist on the inside.

How does it work?

Siemens steam and steam combination ovens are quick and easy to install as they do not require plumbing-in. Our fullSteam ovens have the temperature range indicated; whereas our pulseSteam models have three intensity levels which can be adjusted, depending on what is being cooked.

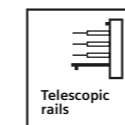
The removable 1 litre water tank (1.3 litre for compact steamer) is accessed behind the semi-automatic control panel making it more convenient and easier to refill, even during cooking. Water is heated by a fast and efficient steam generator before being introduced into the oven. Thermostatic controls allow a pure steam temperature of 30 – 100°C.



Model shown: HS758G3B1B single oven

Rail Systems. The perfect accessories, designed especially for the iQ700 oven.

We supply accessories that help make cooking easier and more enjoyable. Great for tailoring the oven to individual needs offering ease of use and flexible cooking options to help create the perfect dish.



iQ700 telescopic rails

Fully extendable telescopic rails are available as an optional extra on selected iQ700 ovens. Designed to glide smoothly and effortlessly out of the oven, these rails offer clear and comfortable access to food during cooking and to remove the food once cooked without having to reach into the hot oven. Versions suited to pyrolytic models which can remain in the appliance during the cleaning cycle are also available, for effortless cleaning of the oven and the rails at the same time. See page 43 for details.



Innovative speed solutions

for outstanding cooking creations: iQ500

The iQ500 ovens combine state-of-the-art technology and efficient cooking methods to reduce cooking times without compromising on food quality.

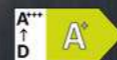
Featuring more traditional, yet stylish, illuminated and easy to use control dials, the coordinated lightControl design allows the single ovens, compact microwave combination oven, built-in microwave ovens, and warming drawers to be installed together, both vertically and horizontally*.

Siemens offers a coordinating iQ500 45cm compact microwave combination oven, featuring the same striking blue and white lightControl display as the iQ500 single ovens. The CM585AGS1B features a large 36cm ceramic base to allow for use of rectangular dishes compared to a turntable.

The compact combination oven can be complemented by a 14cm high warming drawer to ensure complete iQ500 design coordination.

The iQ500 range also offers two design coordinated solo microwaves – a 25L version for installation in tall housing and a smaller 20L model design to fit into 30cm deep wall cupboards.

*Horizontal combinations for single ovens and 45cm compact appliances only.

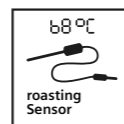


Model shown: HB537GBS3B single oven

Guarantee the best cooking results.



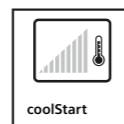
cookControl
Providing automatic programmes for mainly meat, poultry and fish. Available with either 10 programmes or 30 programmes, simply select the desired dish and enter the food's weight – everything else is done automatically.



Single point roastingSensor
The roasting thermometer is able to precisely and reliably measure the internal temperature of dishes. By getting an accurate reading of the core temperature of boneless and fatless dishes, it can determine when they are perfectly done.



3D hotAir
With the 3D hotAir, the oven distributes the heat consistently inside the oven cavity to guarantee perfect baking results while preventing flavours and smells intermingling even when cooking on three levels simultaneously.



coolStart
No more preheating when cooking chilled and frozen convenience food. Using an intelligent heating phase, it is now possible to cook frozen and chilled food without waiting for the oven to preheat.



fast preheat
By activating all heating elements simultaneously, Siemens ovens with fast preheating get to the desired temperature very quickly.



lightControl
The lightControl dial highlights the chosen heating symbol with a striking blue light – making operating the oven into an intuitive and exciting experience. The design is consistent throughout the iQ500 range with the intuitive illuminated lightControl dials.

Operation meets fascination.



Explore compact ovens and microwaves

Ovens with integral microwave*

When teamed with a single oven, Siemens iQ700 compact ovens with microwave offer a great alternative to a double oven when more space is needed for traditional cooking. Designed first and foremost to function as an oven, with construction, features and functions identical to a traditional single oven, these models benefit from the addition of microwaves at low medium power (max. 360W) to deliver oven-led combination cooking. Our varioSpeed faster cooking feature speeds up the cooking process while retaining traditional cooking results.

Microwave combination ovens*

These iQ500 models are designed to provide more functionality than a solo microwave oven, focusing on combination cooking, with the microwave using higher power (max. 600W) to lead the cooking process, supported by hot air or grill functions to deliver speedy crisp and browned results. Based around a more traditional microwave functionality these models offer the perfect solution if regular microwave heating is the priority, but with the back-up of separate or combination hot air cooking and grill functionality if required.

*These models are designed to operate best in combination mode, so when heating using microwave only, it may be necessary to adjust cooking times.

Compact ovens with steam

When looking for healthier cooking options the Siemens range of compact ovens with steam creates healthier meals using the power of steam to deliver juicier meats, crisped and fluffy baked items and vegetables that retain more of their vibrant colours, vitamins and nutrients. Siemens fullSteam models offer pure steam cooking, plus many models also offer pulseSteam – pulses of steam are injected into the oven to work in tandem with traditional cooking functions. Please check individual models for exact specifications.



CM778GNB1B compact oven with integral microwave



CM585AGS1B compact microwave combination oven

Inverter Technology

Inverter Technology delivers microwave power constantly while cooking – other, traditional microwaves are only able to deliver maximum power and manage the differing settings by alternating between on and off for specific time periods. This can result in uneven heating or over-cooked food and can be especially damaging to more delicate foods or smaller portions.

With Inverter technology, the microwave delivers power constantly, gradually managing the power levels down over time in order to control the food temperature. This gentle approach to cooking reduces uneven heating or overheated food and is especially beneficial for delicate foods. It may be necessary to adjust cooking times to ensure foods are thoroughly cooked before serving. Siemens recommends that the maximum power setting be used for heating liquids and the microwave is calibrated to provide a burst of high power initially, before managing the power down in stages to the next level over the first few minutes.



Models shown: **CM778GNB1B** iQ700 compact oven with integral microwave and **BI710C1B1B** iQ700 warming drawer

Warming drawers

Perfect for warming plates, a Siemens warming drawer will keep food warm for latecomers – as well as keeping plates at an optimum temperature to ensure hot food keeps its warmth when plated.

With adjustable temperatures of 40-80°C, a four-setting iQ700 14cm or 29cm high warming drawer can be installed as a standalone appliance, or acts as the perfect accompaniment to Siemens iQ700 ovens and compacts. The perfect line up of compact appliances with warming drawer is sure to bring style and elegance to any refined kitchen space.










BI710C1B1B iQ700 warming drawer

iQ700 oven product overview

iQ700 single oven range

All single and compact ovens included on these pages feature softClose (excluding BF722L1B1B)

Display type	Single Ovens (60cm) with activeClean (pyrolytic/self-cleaning)		Single Ovens (60cm) with ecoClean (non-pyrolytic)	
	Microwave	pulseSteam	Standard	Steam
TFT Touchdisplay Pro	 <p>HM778GMB1B</p> <ul style="list-style-type: none"> Cooking functions: 21 airFry 4D hotAir cookControl Pro roastingSensor Plus varioSpeed activeClean® 		 <p>HB778G3B1B</p> <ul style="list-style-type: none"> Cooking functions: 13 airFry 4D hotAir cookControl Pro roastingSensor Plus activeClean® 	 <p>HS758G3B1B*</p> <p>*Replaced by HS738G3B2 from September 2026</p> <ul style="list-style-type: none"> Cooking functions: 22 airFry 4D hotAir cookControl Pro roastingSensor Plus fullSteam Plus pulseSteam ecoClean Plus** <p>**Changes to Intensive Steam Clean from September 2026</p>
TFT Touchdisplay Plus	 <p>HM776G1B1B</p> <ul style="list-style-type: none"> Cooking functions: 19 airFry 4D hotAir cookControl Pro varioSpeed activeClean® 	 <p>HR776G1B1B</p> <ul style="list-style-type: none"> Cooking functions: 19 airFry 4D hotAir cookControl Pro pulseSteam activeClean® 	 <p>HB776G1B1B</p> <ul style="list-style-type: none"> Cooking functions: 13 airFry 4D hotAir cookControl Plus activeClean® 	 <p>HS736G1B1B</p> <ul style="list-style-type: none"> Cooking functions: 21 airFry 4D hotAir cookControl Pro fullSteam Plus pulseSteam ecoClean
TFT Touchdisplay				







iQ700 drawers range

Display type	29cm Drawer	14cm Drawer
	Warming drawer	Warming drawer
All drawers have: <ul style="list-style-type: none"> Push/pull opening Heated ceramic base (excludes Accessory Drawer) 	 <p>BI710D1B1B</p> <ul style="list-style-type: none"> 29cm height Maximum capacity - plates 40 Maximum capacity - espresso cups 192 Temperature levels 4 	 <p>BI710C1B1B</p> <ul style="list-style-type: none"> 14cm height Maximum capacity - plates 12 Maximum capacity - espresso cups 64 Temperature levels 4



Home Connect

All single ovens, compact ovens and coffee machine included on these pages feature Home Connect (excluding BF722L1B1B and CE732GXB1B)

Single Ovens (60cm) with ecoClean (non-pyrolytic)	Compact Ovens (45cm) with activeClean (pyrolytic/self-cleaning)	Compact Ovens (45cm) with ecoClean (non-pyrolytic)	Coffee Centre	
Standard	Microwave	Steam	Microwave with grill	
	 <p>CM778GNB1B</p> <ul style="list-style-type: none"> Cooking functions: 21 airFry 4D hotAir cookControl Pro roastingSensor Plus bakingSensor Plus varioSpeed activeClean® 			 <p>CT718L1B0</p> <ul style="list-style-type: none"> doubleCup coffeeWorld aromaSelect ceramDrive autoMilk Clean
 <p>HB736G1B1B</p> <ul style="list-style-type: none"> Cooking functions: 13 airFry 4D hotAir cookControl Plus ecoClean 	 <p>CM776G1B1B</p> <ul style="list-style-type: none"> Cooking functions: 19 airFry 4D hotAir cookControl Pro varioSpeed activeClean® 	 <p>CS736G1B1</p> <ul style="list-style-type: none"> Cooking functions: 21 airFry 4D hotAir cookControl Pro fullSteam Plus pulseSteam ecoClean 		
			 <p>BF722L1B1B</p> <ul style="list-style-type: none"> cookControl 7 900 Watts maximum Left hinged 	






2 year warranty

A two year warranty is available on all Siemens ovens and compact appliances listed in this brochure to protect against manufacturing and material faults during this warranty period.

iQ500 oven product overview





iQ500 single oven range

Display type	Single ovens (60cm) with activeClean (pyrolytic/self-cleaning)	Single oven (60cm) with ecoClean (non-pyrolytic)
	Standard	Standard
 <p>lightControl illuminated dials</p>	 <p>HB578GB57B</p> <ul style="list-style-type: none"> • 3D hotAir • cookControl30 • softClosing Door • roastingSensor • activeClean® 	 <p>HB537GB53B</p> <ul style="list-style-type: none"> • 3D hotAir • cookControl10

iQ500 compact oven range

Display type	Compact oven (45cm)
	With microwave function
 <p>lightControl illuminated dials</p>	 <p>CM585AGS1B</p> <ul style="list-style-type: none"> • cookControl15 • 2 microwave combination options

iQ500 microwave range

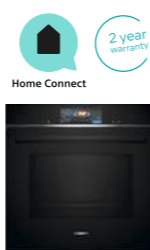
Display type	Compact microwaves	
	Microwave	Microwave
TFT Touchdisplay	 <p>BF525LMB1B</p> <ul style="list-style-type: none"> • Automatic programmes: 7 	 <p>BF555LMB1B</p> <ul style="list-style-type: none"> • Automatic programmes: 7



2 year warranty

A two year warranty is available on all Siemens ovens and compact appliances listed in this brochure to protect against manufacturing and material faults during this warranty period.

Pyrolytic single ovens



iQ700 HM778GMB1B

Single multi-function oven with integral microwave
Black with steel trim



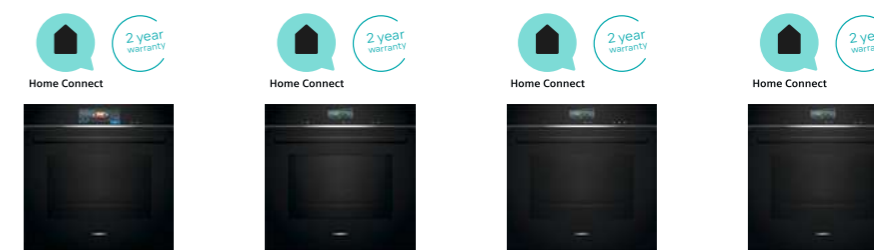
Pyrolytic single ovens specifications

Appliance type	Single pyrolytic oven with microwave function
Design family	iQ700
Model number	HM778GMB1B
Design characteristics	Large Display
TFT Touchdisplay Pro / TFT Touchdisplay Plus / TFT Touchdisplay	■ / - / -
softMove door opening and closing	■
Safety features	
Electronic control	■
Digital temperature display with proposal	■
Heating up indicator / Residual heat indicator	■ / ■
Control panel lock / Automatic safety switch off	■ / ■
Door lock	■
Key features	
airFry	■
Home Connect	■
Oven assistant	■
varioSpeed	-
cookControl / cookControl Plus / cookControl Pro	- / - / ■
roastingSensor / roastingSensor Plus	- / ■
Oven shelf positions	5
Cleaning System	
activeClean® pyrolytic oven cleaning	■
humidClean Plus	■
Back / roof / side ecoClean® Direct liners	- / - / -
Cooking programmes	21
hotAir cooking (3D or 4D)	4D
Microwave (number of combination options)	5
coolStart / fast preheat	■ / ■
Full width surface grill / hotAir grilling / Centre surface grill	■ / ■ / ■
Pizza Setting / Bottom heat / Intensive heat	■ / ■ / ■
Conventional / Conventional gentle	■ / ■
Keep warm / Plate warming	■ / ■
Low temperature cooking / Dehydrate	■ / ■
fullSteam Plus / pulseSteam	-
Reheating / Defrost	- / -
AirFry with homeConnect app	■
Performance / Technical information	
Product dimensions H x W x D (mm)	595 x 594 x 548
Cavity capacity (litres)	67
Water tank volume (litres)	-
Maximum microwave power (W) ² / Number of power levels	800 / 5
Nominal voltage (volts)	220-240
Total connected loading (watts)	3600
Cable length (cm)	120
Minimum fuse protection	16A
Interior lights	■
Door glazing	Quadruple
Energy efficiency data	
Energy efficiency index (%)	-
Energy efficiency class	-
Energy consumption per cycle hotAir (kWh) ¹	-
Energy consumption per cycle conventional (kWh) ¹	-
Time to cook standard load (mins)	-
Largest baking sheet area (cm)	1290
Standard accessories	
Full width enamelled pan / Wire shelves	1 / 2
Air Fry grill tray	1
Steam trays	-
Telescopic rails	Available as an accessory

■ Yes, model has this feature. - Feature not available for this model.

¹ According to Regulation (EU) No 65/2014 (models with integral microwave or steam only are exempt).
² For Inverter models, the maximum setting offers a time limited boost option for heating liquids. To ensure optimal results and to protect the appliance, the microwave power output is reduced in stages over the first few minutes down to the next power level (600W). After a cooling period, the microwave boost option will be available once more.

Data valid in this table as of April 2026. Subject to modification without prior notice.



Appliance type	Single pyrolytic oven	Single pyrolytic oven with microwave function	Single pyrolytic oven with added steam function	Single pyrolytic oven
Design family	iQ700	iQ700	iQ700	iQ700
Model number	HB778G3B1B	HM776G1B1B	HR776G1B1B	HB776G1B1B
Design characteristics	Large Display	Medium Display	Medium Display	Medium Display
TFT Touchdisplay Pro / TFT Touchdisplay Plus / TFT Touchdisplay	■ / - / -	- / ■ / -	- / ■ / -	- / ■ / -
softMove door opening and closing	■	■	■	■
Safety features				
Electronic control	■	■	■	■
Digital temperature display with proposal	■	■	■	■
Heating up indicator / Residual heat indicator	■ / ■	■ / ■	■ / ■	■ / ■
Control panel lock / Automatic safety switch off	■ / ■	■ / ■	■ / ■	■ / ■
Door lock	■	■	■	■
Key features				
airFry	■	■	■	■
Home Connect	■	■	■	■
Oven assistant	■	■	■	■
varioSpeed	-	-	-	-
cookControl / cookControl Plus / cookControl Pro	- / - / ■	- / - / ■	- / - / ■	- / - / -
roastingSensor / roastingSensor Plus	- / ■	- / -	- / -	- / -
Oven shelf positions	5	5	5	5
Cleaning system				
activeClean® pyrolytic oven cleaning	■	■	■	■
humidClean Plus	■	■	■	■
Back / roof / side ecoClean® Direct liners	- / - / -	- / - / -	- / - / -	- / - / -
Cooking programmes	13	19	19	13
hotAir cooking (3D or 4D)	4D	4D	4D	4D
Microwave (number of combination options)	-	5	-	-
coolStart / fast preheat	■ / ■	■ / ■	■ / ■	■ / ■
Full width surface grill / hotAir grilling / Centre surface grill	■ / ■ / ■	■ / ■ / ■	■ / ■ / ■	■ / ■ / ■
Pizza Setting / Bottom heat / Intensive heat	■ / ■ / -	■ / ■ / -	■ / ■ / -	■ / ■ / -
Conventional / Conventional gentle	■ / ■	■ / ■	■ / ■	■ / ■
Keep warm / Plate warming	■ / ■	■ / ■	■ / ■	■ / ■
Low temperature cooking / Dehydrate	■ / -	■ / -	■ / ■	■ / -
fullSteam Plus / pulseSteam	- / -	- / -	- / -	- / -
Reheating / Defrost	- / -	- / -	- / -	- / -
AirFry with homeConnect app	■	■	■	■
Performance / Technical information				
Product dimensions H x W x D (mm)	595 x 594 x 548	595 x 594 x 548	595 x 594 x 548	595 x 594 x 548
Cavity capacity (litres)	71	67	71	71
Water tank volume (litres)	-	-	1	-
Maximum microwave power (W) ² / Number of power levels	-	800 / 5	-	-
Nominal voltage (volts)	220-240	220-240	220-240	220-240
Total connected loading (watts)	3600	3600	3600	3600
Cable length (cm)	120	120	120	120
Minimum fuse protection	16A	16A	16A	16A
Interior lights	■	■	■	■
Door glazing	Quadruple	Quadruple	Quadruple	Quadruple
Energy efficiency data				
Energy efficiency index (%)	81.2	-	81.2	81.2
Energy efficiency class	A+	-	A+	A+
Energy consumption per cycle hotAir (kWh) ¹	0.69	-	0.69	0.69
Energy consumption per cycle conventional (kWh) ¹	0.87	-	0.87	0.87
Time to cook standard load (mins)	42	-	42	42
Largest baking sheet area (cm)	1290	1290	1290	1290
Standard accessories				
Full width enamelled pan / Wire shelves	1 / 2	1 / 2	1 / 2	1 / 2
Air Fry grill tray	1	1	1	1
Steam trays	-	-	-	-
Telescopic rails	Available as an accessory	Available as an accessory	Available as an accessory	Available as an accessory

■ Yes, model has this feature. - Feature not available for this model.

¹ According to Regulation (EU) No 65/2014 (models with integral microwave or steam only are exempt).
² For Inverter models, the maximum setting offers a time limited boost option for heating liquids. To ensure optimal results and to protect the appliance, the microwave power output is reduced in stages over the first few minutes down to the next power level (600W). After a cooling period, the microwave boost option will be available once more.

Data valid in this table as of April 2026. Subject to modification without prior notice.

Award Winning Ovens

All ovens on these pages have been accredited with these prestigious design awards.

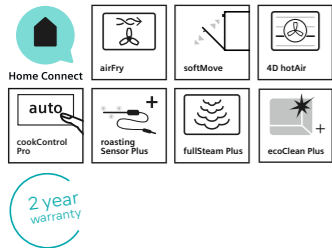


Single ovens



iQ700 HS758G3B1B

Single multi-function oven with steam function
Black with steel trim



Single ovens specifications

Appliance type	Single oven with steam function
Design family	iQ700
Model number	HS758G3B1B* * Replaced by HS738G3B2 September 2026
Design characteristics	Large Display
TFT Touchdisplay Pro / TFT Touchdisplay Plus / TFT Touchdisplay	■ / - / -
softMove door opening and closing	■
Safety features	
Electronic control	■
Digital temperature display with proposal	■
Heating up indicator / Residual heat indicator	■ / ■
Control panel lock / Automatic safety switch off	■ / ■
Door lock	■
Key features	
airFry	■
Home Connect	■
Oven assistant	■
varioSpeed	-
cookControl / cookControl Plus / cookControl Pro	- / - / ■
roastingSensor / roastingSensor Plus	- / ■
Oven shelf positions	5
Cleaning system	
activeClean® pyrolytic oven cleaning	-
humidClean Plus	■
Back / roof / side ecoClean® Direct liners	■ / ■ / ■
Intensive Steam Clean (from September 2026)	■
Cooking programmes	22
hotAir cooking (3D or 4D)	4D
Microwave (number of combination options)	-
coolStart / fast preheat	■ / ■
Full width surface grill / hotAir grilling / Centre surface grill	■ / ■ / ■
Pizza Setting / Bottom heat / Intensive heat	■ / ■ / ■
Conventional / Conventional gentle	■ / ■
Keep warm / Plate warming	■ / ■
Low temperature cooking / Dehydrate	■ / -
fullSteam Plus / pulseSteam	■ / ■
Steam Boost	■
Dough proving / Reheating / Defrost	■ / ■ / ■
AirFry with homeConnect app	■
Performance / Technical information	
Product dimensions H x W x D (mm)	595 x 594 x 548
Cavity capacity (litres)	71
Water tank volume (litres)	1
Maximum microwave power (W) ² / Number of power levels	- / -
Nominal voltage (volts)	220-240
Total connected loading (watts)	3600
Cable length (cm)	120
Minimum fuse protection	16A
Interior lights	■
Door glazing	Triple
Energy efficiency data	
Energy efficiency index (%)	81.2
Energy efficiency class	A+
Energy consumption per cycle hotAir (kWh) ¹	0.69
Energy consumption per cycle conventional (kWh) ¹	0.87
Time to cook standard load (mins)	41
Largest baking sheet area (cm)	1290
Standard accessories	
Full width enamelled pan / Wire shelves	1 / 2
Air Fry grill tray	-
Steam trays	3
Telescopic rails	Available as an accessory

■ Yes, model has this feature. - Feature not available for this model.

¹ According to Regulation (EU) No 65/2014 (models with integral microwave or steam only are exempt).
² For Inverter models, the maximum setting offers a time limited boost option for heating liquids. To ensure optimal results and to protect the appliance, the microwave power output is reduced in stages over the first few minutes down to the next power level (600W). After a cooling period, the microwave boost option will be available once more.

Data valid in this table as of April 2026. Subject to modification without prior notice.



Single ovens specifications

Appliance type	Single oven with steam function	Single oven
Design family	iQ700	iQ700
Model number	HS736G1B1B	HB736G1B1B
Design characteristics	Medium Display	Medium Display
TFT Touchdisplay Pro / TFT Touchdisplay Plus / TFT Touchdisplay	- / ■ / -	- / ■ / -
softMove door opening and closing	■	■
Safety features		
Electronic control	■	■
Digital temperature display with proposal	■	■
Heating up indicator / Residual heat indicator	■ / ■	■ / ■
Control panel lock / Automatic safety switch off	■ / ■	■ / ■
Door lock	■	■
Key features		
airFry	■	■
Home Connect	■	■
Oven assistant	■	■
varioSpeed	-	-
cookControl / cookControl Plus / cookControl Pro	- / - / ■	- / ■ / -
roastingSensor / roastingSensor Plus	- / -	- / -
Oven shelf positions	5	5
Cleaning system		
activeClean® pyrolytic oven cleaning	-	-
humidClean Plus	■	■
Back / roof / side ecoClean® Direct liners	■ / - / -	■ / - / -
Intensive Steam Clean (from September 2026)	-	-
Cooking programmes	21	13
hotAir cooking (3D or 4D)	4D	4D
Microwave (number of combination options)	-	-
coolStart / fast preheat	■ / ■	■ / ■
Full width surface grill / hotAir grilling / Centre surface grill	■ / ■ / ■	■ / ■ / ■
Pizza Setting / Bottom heat / Intensive heat	■ / ■ / -	■ / ■ / -
Conventional / Conventional gentle	■ / ■	■ / ■
Keep warm / Plate warming	■ / ■	■ / ■
Low temperature cooking / Dehydrate	■ / -	■ / -
fullSteam Plus / pulseSteam	■ / ■	- / -
Steam Boost	■	-
Dough proving / Reheating / Defrost	■ / ■ / ■	- / - / -
AirFry with homeConnect app	■	■
Performance / Technical information		
Product dimensions H x W x D (mm)	595 x 594 x 548	595 x 594 x 548
Cavity capacity (litres)	71	71
Water tank volume (litres)	1	-
Maximum microwave power (W) ² / Number of power levels	- / -	- / -
Nominal voltage (volts)	220-240	220-240
Total connected loading (watts)	3600	3600
Cable length (cm)	120	120
Minimum fuse protection	16A	16A
Interior lights	■	■
Door glazing	Triple	Triple
Energy efficiency data		
Energy efficiency index (%)	81.2	81.2
Energy efficiency class	A+	A+
Energy consumption per cycle hotAir (kWh) ¹	0.69	0.69
Energy consumption per cycle conventional (kWh) ¹	0.87	0.87
Time to cook standard load (mins)	41	44
Largest baking sheet area (cm)	1290	1290
Standard accessories		
Full width enamelled pan / Wire shelves	1 / 2	1 / 2
Air Fry grill tray	-	1
Steam trays	-	-
Telescopic rails	Available as an accessory	Available as an accessory

■ Yes, model has this feature. - Feature not available for this model.

¹ According to Regulation (EU) No 65/2014 (models with integral microwave or steam only are exempt).
² For Inverter models, the maximum setting offers a time limited boost option for heating liquids. To ensure optimal results and to protect the appliance, the microwave power output is reduced in stages over the first few minutes down to the next power level (600W). After a cooling period, the microwave boost option will be available once more.

Data valid in this table as of April 2026. Subject to modification without prior notice.

Award Winning Ovens

All ovens on these pages have been accredited with these prestigious design awards.

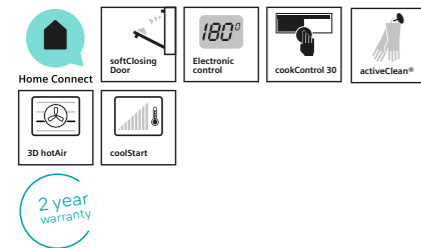


Single ovens



iQ500 HB578GB57B

Single pyrolytic oven
Black with steel trim



Single ovens specifications

Appliance type	Single pyrolytic oven
Design family	iQ500
Model number	HB578GB57B
Design characteristics	
TFT Touchdisplay with ClearText	-
Interior lights	1 x 25W Halogen
lightControl illuminated dials	■
Control wheel	■
softClosing door opening and closing	■ / ■
Safety features	
Electronic control	■
Digital temperature display with proposal	■
Heating up indicator/ Residual heat indicator	■ / ■
Control panel lock / Automatic safety switch off	■ / ■
Door lock	■
Key features	
Home Connect	■
Oven assistant	■
roastingSensor Plus	-
bakingSensor Plus	-
cookControl / cookControl Plus / cookControl pro	■ / - / -
Oven shelf positions	5
Cleaning functions	
activeClean® pyrolytic oven cleaning	■
Back / roof / side ecoClean® Direct liners	- / - / -
ecoClean® setting	-
Cooking programmes	
hotAir cooking with hotAir gentle	3D
Microwave (number of combination options)	-
coolStart / fast preheat	■ / ■
Full width surface grill / hotAir grilling / Centre surface grill	■ / ■ / ■
Pizza Setting / Bottom heat / Intensive heat	■ / ■ / ■
Conventional / Conventional gentle	■ / ■
Keep warm / Plate warming	- / -
Low temperature cooking / Dehydrate	- / -
fullSteam / pulseSteam	- / -
addedSteam	-
AirFry with homeConnect app	■
Dough proving / Reheating / Defrost	- / - / -
Performance / Technical information	
Product dimensions H x W x D (mm)	595 x 594 x 548
Water tank capacity with empty indicator (litres)	-
Nominal voltage (volts)	220-240
Total connected loading (watts)	3600
Cable length (cm)	120
Minimum fuse protection	16A
Door glazing	Quadruple
Energy efficiency data¹	
Energy efficiency index	81.2
Energy efficiency class	A+
Energy consumption per cycle hotAir (kWh)	0.69
Energy consumption per cycle conventional (kWh)	0.94
Oven capacity (litres)	71
Time to cook standard load (mins)	47
Largest baking sheet area (cm)	1290
Standard accessories	
Full width enamelled pan / Wire shelves	1 / 2
Telescopic rails	Available as an accessory

■ Yes, model has this feature. - Feature not available for this model.

¹ According to Regulation (EU) No 65/2014 (models with integral microwave or steam only are exempt).
² For Inverter models, the maximum setting offers a time limited boost option for heating liquids. To ensure optimal results and to protect the appliance, the microwave power output is reduced in stages over the first few minutes down to the next power level (600W). After a cooling period, the microwave boost option will be available once more.

Data valid in this table as of April 2026. Subject to modification without prior notice.



Single ovens specifications

Appliance type	Single oven
Design family	iQ500
Model number	HB537GB53B
TFT Touchdisplay with ClearText	
TFT Touchdisplay with ClearText	-
Interior lights	1 x 25W Halogen
lightControl illuminated dials	■
Control wheel	■
softClosing door opening and closing	■ / -
Safety features	
Electronic control	■
Digital temperature display with proposal	■
Heating up indicator/ Residual heat indicator	■ / ■
Control panel lock / Automatic safety switch off	■ / ■
Door lock	■
Key features	
Home Connect	-
Oven assistant	-
roastingSensor Plus	-
bakingSensor Plus	-
cookControl / cookControl Plus / cookControl pro	■ / - / -
Oven shelf positions	5
Cleaning functions	
activeClean® pyrolytic oven cleaning	-
Back / roof / side ecoClean® Direct liners	■ / - / -
ecoClean® setting	■
Cooking programmes	
hotAir cooking with hotAir gentle	3D
Microwave (number of combination options)	-
coolStart / fast preheat	■ / ■
Full width surface grill / hotAir grilling / Centre surface grill	■ / ■ / ■
Pizza Setting / Bottom heat / Intensive heat	■ / ■ / -
Conventional / Conventional gentle	■ / ■
Keep warm / Plate warming	- / -
Low temperature cooking / Dehydrate	- / -
fullSteam / pulseSteam	- / -
addedSteam	-
AirFry with homeConnect app	-
Dough proving / Reheating / Defrost	- / - / -
Performance / Technical information	
Product dimensions H x W x D (mm)	595 x 594 x 548
Water tank capacity with empty indicator (litres)	-
Nominal voltage (volts)	220-240
Total connected loading (watts)	3600
Cable length (cm)	120
Minimum fuse protection	16A
Door glazing	Triple
Energy efficiency data¹	
Energy efficiency index	81.2
Energy efficiency class	A+
Energy consumption per cycle hotAir (kWh)	0.69
Energy consumption per cycle conventional (kWh)	0.94
Oven capacity (litres)	71
Time to cook standard load (mins)	47
Largest baking sheet area (cm)	1290
Standard accessories	
Full width enamelled pan / Wire shelves	1 / 2
Telescopic rails	Available as an accessory

■ Yes, model has this feature. - Feature not available for this model.

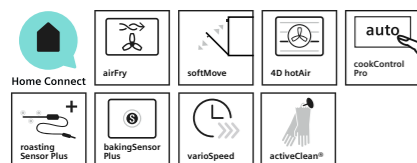
¹ According to Regulation (EU) No 65/2014 (models with integral microwave or steam only are exempt).
² For Inverter models, the maximum setting offers a time limited boost option for heating liquids. To ensure optimal results and to protect the appliance, the microwave power output is reduced in stages over the first few minutes down to the next power level (600W). After a cooling period, the microwave boost option will be available once more.

Data valid in this table as of April 2026. Subject to modification without prior notice.

Compact ovens

iQ700 CM778GNB1B

Compact pyrolytic oven with integral microwave
Black with steel trim



Compact ovens specifications

Appliance type	Compact pyrolytic oven with microwave function
Design family	iQ700
Model number	CM778GNB1B
Design characteristics	Large Display
TFT Touchdisplay Pro / TFT Touchdisplay Plus / TFT Touchdisplay	■ / - / -
softMove door opening and closing	■
Safety features	
Electronic control	■
Heating up indicator / Residual heat indicator	- / ■
Control panel lock / Automatic safety switch off	■ / ■
Door lock	■
Key features	
airFry	■
Home Connect	■
Oven assistant	■
varioSpeed	-
cookControl / cookControl Plus / cookControl Pro	- / - / ■
roastingSensor / roastingSensor Plus	- / ■
bakingSensor Plus	■
Oven shelf positions	3
Cleaning system	
activeClean® pyrolytic oven cleaning	■
humidClean Plus	-
Back / roof / side ecoClean® Direct liners	- / - / -
Drying programme	■
ecoClean setting	-
Cleaning and Descaling programme	-
Cooking programmes	21
hotAir cooking (3D or 4D)	4D
Microwave (combination)	■
coolStart / fast preheat	■ / ■
Full width surface grill / hotAir grilling / Centre surface grill	■ / ■ / ■
Pizza Setting / Bottom heat / Intensive heat	■ / ■ / ■
Conventional / Conventional gentle	■ / ■
Keep warm / Plate warming	■ / ■
Low temperature cooking / Dehydrate	■ / ■
fullSteam Plus / pulseSteam	- / -
Steam Boost	-
AirFry with homeConnect app	■
Performance / Technical information	
Product dimensions H x W x D (mm)	455 x 594 x 548
Cavity capacity (litres)	45
Water tank volume (litres)	-
Nominal voltage (volts)	220-240
Total connected loading (watts)	3600
Maximum microwave power (W) ² / Number of power levels	900 / 5
Cable length (cm)	150
Minimum fuse protection	16A
Interior lights	■
Door glazing	■
Energy efficiency data	
Energy efficiency index (%)	-
Energy efficiency class	-
Energy consumption per cycle hotAir (kWh) ¹	-
Energy consumption per cycle conventional (kWh) ¹	-
Largest baking sheet area (cm)	1290
Standard accessories	
Full width enamelled pan / Wire shelves	1 / 2
Air Fry grill tray	1
Steam trays	-
Telescopic rails	-

■ Yes, model has this feature. - Feature not available for this model.

¹ According to Regulation (EU) No 65/2014 (models with integral microwave or steam only are exempt).
² For Inverter models, the maximum setting offers a time limited boost option for heating liquids. To ensure optimal results and to protect the appliance, the microwave power output is reduced in stages over the first few minutes down to the next power level (600W). After a cooling period, the microwave boost option will be available once more.

Data valid in this table as of April 2026. Subject to modification without prior notice.



Compact ovens specifications

Appliance type	Compact oven with steam function	Compact oven with microwave function
Design family	iQ700	iQ700
Model number	CS736G1B1	CM776G1B1B
Design characteristics	Medium Display	Medium Display
TFT Touchdisplay Pro / TFT Touchdisplay Plus / TFT Touchdisplay	- / ■ / -	- / ■ / -
softMove door opening and closing	■	■
Safety features		
Electronic control	■	■
Heating up indicator / Residual heat indicator	■ / ■	■ / ■
Control panel lock / Automatic safety switch off	■ / ■	■ / ■
Door lock	■	■
Key features		
airFry	■	■
Home Connect	■	■
Oven assistant	■	■
varioSpeed	-	-
cookControl / cookControl Plus / cookControl Pro	- / - / ■	- / - / ■
roastingSensor / roastingSensor Plus	- / -	- / -
bakingSensor Plus	-	-
Oven shelf positions	3	3
Cleaning system		
activeClean® pyrolytic oven cleaning	-	■
humidClean Plus	■	-
Back / roof / side ecoClean® Direct liners	■ / - / -	- / - / -
Drying programme	■	■
ecoClean setting	■	-
Cleaning and Descaling programme	■	-
Cooking programmes	21	19
hotAir cooking (3D or 4D)	4D	4D
Microwave (combination)	-	■
coolStart / fast preheat	■ / ■	■ / ■
Full width surface grill / hotAir grilling / Centre surface grill	■ / ■ / ■	■ / ■ / ■
Pizza Setting / Bottom heat / Intensive heat	■ / ■ / -	■ / ■ / -
Conventional / Conventional gentle	■ / ■	■ / ■
Keep warm / Plate warming	■ / ■	■ / ■
Low temperature cooking / Dehydrate	■ / -	■ / -
fullSteam Plus / pulseSteam	■ / ■	- / -
Steam Boost	-	-
AirFry with homeConnect app	■	■
Performance / Technical information		
Product dimensions H x W x D (mm)	455 x 594 x 548	455 x 594 x 548
Cavity capacity (litres)	47	45
Water tank volume (litres)	1	-
Nominal voltage (volts)	220-240	220-240
Total connected loading (watts)	3300	3600
Maximum microwave power (W) ² / Number of power levels	-	900 / 5
Cable length (cm)	150	150
Minimum fuse protection	16A	16A
Interior lights	■	■
Door glazing	■	■
Energy efficiency data		
Energy efficiency index (%)	-	-
Energy efficiency class	-	-
Energy consumption per cycle hotAir (kWh) ¹	0.73	-
Energy consumption per cycle conventional (kWh) ¹	-	-
Largest baking sheet area (cm)	1290	1290
Standard accessories		
Full width enamelled pan / Wire shelves	1 / 1	1 / 1
Air Fry grill tray	-	1
Steam trays	3	-
Telescopic rails	-	-

■ Yes, model has this feature. - Feature not available for this model.

¹ According to Regulation (EU) No 65/2014 (models with integral microwave or steam only are exempt).
² For Inverter models, the maximum setting offers a time limited boost option for heating liquids. To ensure optimal results and to protect the appliance, the microwave power output is reduced in stages over the first few minutes down to the next power level (600W). After a cooling period, the microwave boost option will be available once more.

Data valid in this table as of April 2026. Subject to modification without prior notice.

Award Winning Compact Ovens

All compact ovens on these pages have been accredited with these prestigious design awards.



Microwaves

iQ500 CM585AGS1B

Compact oven with microwave function
Black with steel trim



Compact ovens specifications

Appliance type	Compact oven with microwave function
Design family	iQ500
Model number	CM585AGS1B
Design characteristics	
TFT Touchdisplay with ClearText	-
LCD white display	■
LightControl Intuitive operation Illuminated dial	■
Control wheel	■
Soft Open / Soft Close drop down door	■ / -
Safety features	
Electronic control	■
Digital temperature display with proposal	-
Heating up indicator / Residual heat indicator	- / -
Control panel lock / Automatic safety switch off	■ / ■
Door lock	-
Key features	
Home Connect	-
Oven assistant	-
varioSpeed	-
cookControl / cookControl Plus / cookControl Pro	cookControl 15
roastingSensor/ roastingSensor Plus	-
bakingSensor Plus	-
Oven shelf positions	-
Cleaning system	
activeClean pyrolytic oven cleaning	-
HumidClean Plus	-
Back / roof / side ecoClean® Direct liners	-
Hydrolyse manual	■
ecoClean setting	-
descaling programme/ cavity drying function	-
Cooking programmes	15
hotAir cooking (3D or 4D)	Standard
microwave (number of combination options)	2
CoolStart / fast preheat	■ / ■
Full width surface grill / hotAir grilling / Centre surface grill	■ ■ / ■
Conventional / Conventional gentle	■ / ■
Keep warm / Plate warming	■ / ■
Low temperature cooking/ Dehydrate	-
fullSteam / pulseSteam	-
addedSteam	-
AirFry with homeConnect app	-
Dough proving / reheating/defrost	-
Performance / Technical information	
Product dimensions H x W x D (mm)	454 x 594 x 570
Cavity dimensions H x W x D (mm)	220 x 420 x 420
Cavity capacity (litres)	44
Maximum microwave power (W) ² / Number of power levels	900 / 4
Nominal voltage (volts)	220-240
Total connected loading (watts)	3350
Cable length (cm)	150
Minimum fuse protection	16A
Interior lights	■
Door glazing	Double
Energy efficiency data¹	
Energy efficiency index	-
Energy efficiency class	-
Energy consumption per cycle hotAir (kWh)	-
Energy consumption per cycle conventional (kWh)	-
Time to cook standard load (mins)	-
Largest baking sheet area (cm)	1290
Standard accessories	
Full width enamelled pan / Wire shelves	1 / 2
Turntable (Glass)	-
Telescopic rails	-

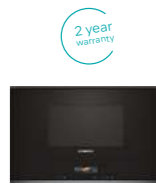
■ Yes, model has this feature. - Feature not available for this model.

¹ According to Regulation (EU) No 65/2014 (models with integral microwave or steam only are exempt).
² For Inverter models, the maximum setting offers a time limited boost option for heating liquids. To ensure optimal results and to protect the appliance, the microwave power output is reduced in stages over the first few minutes down to the next power level (600W). After a cooling period, the microwave boost option will be available once more.

Data valid in this table as of April 2026. Subject to modification without prior notice.

iQ700 BF722L1B1B

Microwave
Black with steel trim



Microwave specifications

Appliance type	Microwave
Design family	iQ700
Model number	BF722L1B1B
Design characteristics	
TFT Touchdisplay Pro	-
TFT Touchdisplay Plus	-
TFT Touchdisplay	■
Side opening door (left hinged)	■
Control panel position	Bottom, horizontal
Controls	
Electronic control	■
Automatic programmes	■
Safety switch off	-
Key features	
Home Connect	-
Oven assistant	-
Installation in wall unit / tall housing	■ / ■
Electronic clock	-
ClearText Display	-
Full glass inner door	-
Glazed door (Quadruple/Triple/Double)	Double
Maximum cooking time duration (mins)	90
Stainless steel interior	■
Microwave	■
Quartz grill	-
Microwave / grill combination	-
cookControl / cookControl Plus / cookControl Pro	■ / - / -
Performance / Technical information	7 Automatic programmes
Product dimensions H x W x D (mm)	382 x 594 x 318
Oven capacity (litres)	21
Inverter technology	■
Maximum microwave power (W) ¹	900
Number of microwave power levels	5
Nominal voltage (volts)	220-240
Total connected load (kWh)	1220
Cable length cm	175
Minimum fuse protection	16A
GB plug	■
Standard accessories	
Glass pan / Insert grid	- / -

■ Yes, model has this feature. - Feature not available for this model.

¹ For Inverter models, the maximum setting offers a time limited boost option for heating liquids. To ensure optimal results and to protect the appliance, the microwave power output is reduced in stages over the first few minutes down to the next power level (600W). After a cooling period, the microwave boost option will be available once more.

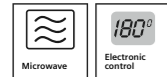
Data valid in this table as of April 2026. Subject to modification without prior notice.

Award Winning Microwaves

All microwaves on these pages have been accredited with these prestigious design awards.

iQ500 BF525LMB1B

Microwave
Black with steel trim



Microwave specifications

Appliance type	Microwave	Microwave
Design family	iQ500	iQ500
Model number	BF525LMB1B	BF555LMB1B
	Left hinged door	Left hinged door
Design characteristics		
TFT Touchdisplay with ClearText	-	-
LCD white display	■	■
LightControl Intuitive operation Illuminated dial	-	-
Control wheel	-	-
Soft Open / Soft Close drop down door	- / -	- / -
Safety features		
Electronic control	■	■
Digital temperature display with proposal	-	-
Heating up indicator / Residual heat indicator	- / -	- / -
Control panel lock / Automatic safety switch off	- / ■	- / ■
Door lock	-	-
Key features		
Home Connect	-	-
Oven assistant	-	-
varioSpeed	-	-
cookControl / cookControl Plus / cookControl Pro	■ / - / -	■ / - / -
roastingSensor/ roastingSensor Plus	- / -	- / -
bakingSensor Plus	-	-
Oven shelf positions	-	-
Cleaning system		
activeClean pyrolytic oven cleaning	-	-
HumidClean Plus	-	-
Back / roof / side ecoClean® Direct liners	-	-
Hydrolyse manual	■	■
ecoClean setting	-	-
Descaling programme/ cavity drying function	-	-
Cooking programmes		
	7 Automatic Programmes	7 Automatic Programmes
hotAir cooking (3D or 4D)	-	-
Microwave (number of combination options)	-	-
CoolStart / fast preheat	-	-
Full width surface grill	-	-
hotAir grilling	-	-
Centre surface grill	-	-
Conventional / Conventional gentle	-	-
Keep warm / Plate warming	-	-
Low temperature cooking/ Dehydrate	-	-
fullSteam / pulseSteam	-	-
addedSteam	-	-
AirFry with homeConnect app	-	-
Dough proving / reheating/defrost	-	-
Performance / Technical information		
Product dimensions H x W x D (mm)	382 x 594 x 317	382 x 594 x 388
Cavity dimensions H x W x D (mm)	201 x 308 x 282	208 x 328 x 369
Cavity capacity (litres)	20	25
Maximum microwave power (W) ²	800	900
Number of power levels	5	4
Nominal voltage (volts)	220-230	220-230
Total connected loading (watts)	1.27	1.45
Cable length (cm)	130	130
Minimum fuse protection	10A	10A
Interior lights	■	■
Door glazing	Double	Double
Energy efficiency data¹		
Energy efficiency index	-	-
Energy efficiency class	-	-
Energy consumption per cycle hotAir (kWh)	-	-
Energy consumption per cycle conventional (kWh)	-	-
Time to cook standard load (mins)	-	-
Largest baking sheet area (cm)	-	-
Standard accessories		
Full width enamelled pan / Wire shelves	-	-
Turntable (Glass)	■	■
Telescopic rails	-	-

■ Yes, model has this feature. - Feature not available for this model.

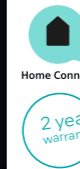
¹ According to Regulation (EU) No 65/2014 (models with integral microwave or steam only are exempt).
² For Inverter models, the maximum setting offers a time limited boost option for heating liquids. To ensure optimal results and to protect the appliance, the microwave power output is reduced in stages over the first few minutes down to the next power level (600W). After a cooling period, the microwave boost option will be available once more.

Data valid in this table as of April 2026. Subject to modification without prior notice.



iQ700 BI710D1B1B

Warming drawer
Black



Warming drawers specifications

Appliance type	Warming drawer	Warming drawer
Model number	BI710D1B1B	BI710C1B1B
Design family	iQ700	iQ700
Key features & functions		
Home Connect	■	■
Operating indicator light	■	■
Electronic control	■	■
Rotary temperature dial	-	-
Touch control illuminated	■	■
Maximum temperature (°C)	80	80
Minimum temperature (°C)	30	30
Maximum capacity - plates	40	12
Maximum capacity - espresso cups	192	64
Toughened glass base	■	■
Plate and cup warming	■	■
Keep warm	■	■
Defrost	■	■
Low temperature cooking	■	■
Technical information		
Product dimensions (H x W x D mm)	290 x 594 x 518	140 x 594 x 518
Install independently	■	■
Install with compact appliance	■	■
Install with a single oven	■	■
Push-Pull opening mechanism	■	■
Drawer interior volume (L)	54	20
Installation in a tall housing	■	■
Installation under work surface	■	■
Maximum weight capacity (kg)	25	25
Total connected loading (kW)	0.82	0.82
Cable length (in cm)	175	175
Minimum fuse protection	10A	10A
GB plug	■	■

■ Yes, model has this feature. - Feature not available for this model.

Data valid in this table as of April 2026. Subject to modification without prior notice.

Award Winning Drawers

All iQ700 drawers on this page have been accredited with these prestigious design awards.





Roast to the point of perfection

HZ32WA00 Wireless roastingSensor meat probe

Wireless roastingSensor meat probe

By accurately tracking the core temperature of your dish, whether it is meat or fish, the wireless roastingSensor meat probe alerts you when the target temperature is reached and can even automatically switch off your oven.



Master the art of cooking with precision

The four sensors gives you accurate core temperature readings, so you can achieve perfectly cooked dishes, every time.

Control your cooking from anywhere

Connects via Bluetooth to the Siemens Home Connect App, allowing you to monitor and even automatically switch off the oven anywhere in your home.

Never overcook again

Get alerts to your phone when your dish is perfectly cooked, taking the guesswork out of cooking.

One device, endless culinary possibilities

Designed to work seamlessly with your oven, hob, outdoor grill, and is ideal for roast beef, fish, or poultry.

Hassle-free and hygienic

Water resistant for hassle-free use and effortless cleaning, ideal for home cooks.



Cooking accessories



HZ86S000 Glass serving dish



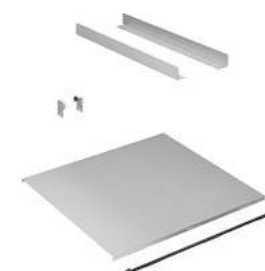
HZ629070 Air fryer and grill tray in anthracite



HZ530000 Two-piece half depth enamelled pan set



HZ638000 1 level telescopic shelf rails with stop, fully extendible



HZ6BMA00 Metal platform and brackets



HZ538000 Level independent varioClip telescopic rails

Optional cooking accessories

	iQ700		iQ500	
	Single Ovens	45cm Compact Ovens	Single Ovens	Compact Ovens
Air frying, roasting & baking accessories				
HZ629070	■	■	■	■
HZ634000	■	■	■	-
HZ664000	■	■	-	-
HZ631070	■	■	-	-
HZ531000	-	-	■	-
HZ531010	-	-	■	-
HZ530000	■	-	-	-
HZ634080	■	■	-	-
HZ625071	■	■	■	-
HZ636000	■	■	■	-
HZ86S000	■	■	■	-
HZ915003	■	■	■	-
Telescopic rails				
HZ638000	■*	■*	-	-
HZ638070	■*	■*	-	-
HZ638D00	■*	■*	-	-
HZ538000	-	-	■	-
Installation accessories				
HZ6BMA00	■	■	-	-
HZ66X600	■	■	■	■

■ Yes, compatible. - No, not compatible. * Main cavity only

flexInduction hob accessories

flexInduction pan sets

Our flexInduction pans designed specifically to be used across our induction and flexInduction hobs, are also oven-proof up to 220°C with a non-stick coating so that food cooks perfectly while also being easy to clean. Perfect when you want to start a dish on the hob and finish crisping it up in the oven. They are also easy to stack to maximise storage space.



4-piece set HZ9FF040

(Consists of 1 x Flex Pan large, 1 x Flex Pan medium and 2 x Flex Pan small with lids)

3-piece set HZ9FF030



(Consists of 1 x Flex Pan large, 1 x Flex Pan medium and 1 x Flex Pan small with lid)



Model shown: CT718L1B0 built-in coffee centre with TFT touchDisplay Pro

Pure precision for perfect coffee indulgence

Immerse yourself in the world of coffee.

The Siemens fully automatic built-in coffee machine is designed to deliver a great coffee experience, thanks to the interaction of all components – a result of our years of experience and strong commitment to research and development.

Pure precision for perfect coffee indulgence with our built-in coffee centre.

Our iQ700 built-in coffee centre conveys an elegant impression of absolute quality and intelligent innovation for those passionate about coffee.

The design of the iQ700 coffee centre is perfectly aligned with the entire iQ700 series. To keep the sleek lines looking clean, all milk, water and bean containers are conveniently hidden behind the coffee centre's door, while the TFT touchDisplay and LED lights put each coffee in the spotlight.

Designed with easy access to the water tank, bean holder and insulated milk jug, the coffee centre has front access thanks to a hinged front panel to allow quick and easy access to replace the water or beans. The milk tubes are also cleaned with steam after every coffee with milk and as most of the components are removable and dishwasher safe, they are also easy to clean. Easy to install, the machine requires no extra plumbing.



oneTouch function
The Siemens coffee centre can deliver delicious-tasting coffee – from latte macchiato, creamy cappuccino to extra-strong espresso at the touch of a button. The system prepares coffee and milk specialities automatically, which can be customised to the user preference.



sensoFlow system
Different coffees require the espresso shot to be heated at a different temperature in order to achieve the perfect results. sensoFlow does this automatically, every time.

A wide world of coffee to experience.

Get more with Siemens bean-to-cup coffee machines and built-in models. The Siemens Home Appliances App gives access to exclusive coffee drinks and intuitive remote functions directly via a smartphone, tablet or voice assistant.

Siemens Home Connect

With the Siemens Home Appliances App additional features and drinks are available. Select from a range of additional drinks from coffeeWorld, either with a smart device or by asking a voice assistant to make the chosen drink. Push notifications are sent from the machine, for example, when the beans are running low or when the machine needs cleaning.

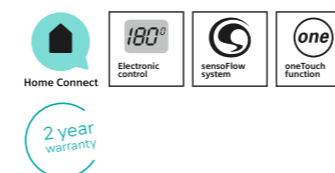
The coffeePlaylist allows creation of a list where each guest can personalise their own drink and remotely send the order to the machine so they are automatically prepared one after another.

Connected partners including Amazon Alexa, offer additional flexibility like making a drink using voice control whilst IFTTT allows the creation of bespoke applets connecting the coffee machine to other smart home appliances to create personalised routines.



iQ700 CT718L1B0

Built-in coffee centre
Black



Built-in coffee centre specifications

Appliance type	Coffee centre – built-in
Design family	iQ700
Model number	CT718L1B0
Design characteristics	
TFT Touchdisplay Pro	■
TFT Touchdisplay Plus	–
TFT Touchdisplay	–
Key features	
Home Connect	■
Electronic control	■
sensoFlow System	■
AromaDoubleShot	■
Automatic steam blast milk cleaning function	■
oneTouch preparation	■
Ceramic coffee grinders	■
Multilevel grinding setting	■
Cup illumination	■
Height adjustable coffee & milk outlets (mm)	■
Integrated water filter	Optional
Programmes / functions	
Type of beverages	32+ (inc. via app)
my Coffee - personalised beverage settings	1 or 2 cup
Milk foam	1 or 2 cup
Hot water	1 or 2 cup
Warm milk	1 or 2 cup
Ristretto	1 or 2 cup
Coffee	1 or 2 cup
Espresso	1 or 2 cup
Cappuccino	1 or 2 cup
Latte Macchiato	1 or 2 cup
Caffe latte	1 or 2 cup
Espresso Macchiato	1 or 2 cup
One touch function for milk drinks	■
Coffee / Hot water temperature options	3 / 4
Milk foam / frothing function	■ / ■
Warm Milk function	■
Cleaning / descaling programmes	■ / ■
Automatic rinse when switched on/off	■ / ■
Performance / Technical information	
Installation in a tall housing unit	■
Side opening door (left hinged)	■
Bean container capacity (g)	500
Ground coffee container	■
Water tank capacity (litres)	2.4
Total connected loading (W)	1500
Nominal voltage (volts)	220-240
Fuse protection	10A
Cable length (in cm)	170
Standard accessories	
Insulated Milk container capacity (litres)	0.5
Milk pipe	■

■ Yes, model has this feature. – Feature not available for this model.
Data valid in this table as of April 2026. Subject to modification without prior notice.

Award Winning Coffee Centre

This coffee centre has been accredited with these prestigious design awards.

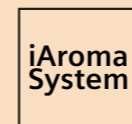




Your Personal Barista,
at the Touch of a Button.

Model shown:
TQ927GZ3
EQ900 Plus
iAroma fully
automatic
coffee machine

The Siemens iAroma System



Experience the unique iAroma System available with Siemens fully automatic espresso machines: Innovative features work seamlessly together to guarantee the perfect taste and long-lasting product.



The long-lasting ceramic grinder creates the ideal ground coffee for perfect aroma.



The intelligent flow heater guarantees the perfect temperature every time.



The smart water pump – for the right water pressure every time.

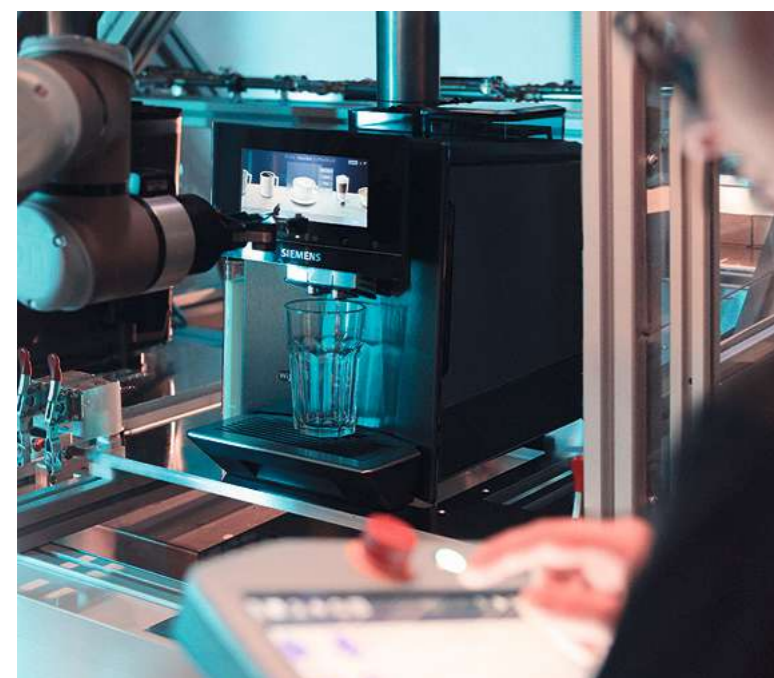


The high-tech brewing unit creates great aroma thanks to its fine-tuned and precision controlled brewing operation.

Siemens EQ fully automatic coffee machine range

Personalised coffee, effortlessly crafted

The Siemens fully automatic coffee machine is born from this understanding—where world-class engineering meets the art of the barista to redefine the bean-to-cup experience. The world of cafe culture is at hand with the exciting range of EQ fully automatic bean-to-cup coffee machines designed for those that settle for nothing less than exceptional coffee. At its core lies the intelligent iAroma System, a precisely coordinated interplay of three key innovations working as one in a high quality brewing unit. From a robust espresso to a perfectly layered latte macchiato, the result is an uncompromising coffee experience, delivered with effortless precision. These intuitive appliances stand out on any premium kitchen surface with their stunning design, elegant display panels and optimal usability. From the entry-level compact EQ300 models to the fine-tuned connected EQ700 and EQ900 models.



Where it all comes together.

For 60 years, perfecting our fully automatic espresso machines has challenged us to refine each individual component while maintaining focus on the broader perspective. After all, it's not about individual screws and cogs, but rather the big picture.

The same principle applies to our understanding of engineering belief itself. It encompasses the synergy of its elements: Purpose. Passion. Progress. And here, it all comes together.

It's about comprehensive quality every day.

We believe that even the most innovative technology fulfils its purpose only when it delivers convincing benefits. That's why we aim to offer long-lasting, fully automatic espresso machines that provide great-tasting coffee conveniently, anew every day. This commitment is reflected in our rigorous testing process, where our products undergo 150,000 hours of testing.



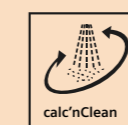
Pure Indulgence at the touch of a button: oneTouch function



No matter the coffee speciality whether it is latte macchiato, creamy cappuccino or extra-strong espresso, thanks to the oneTouch function this fully automatic coffee machine can serve up pure coffee indulgence at the touch of a button.



For longer-lasting performance and taste: calc'nClean.



Maximise beverage quality, product lifetime and overall hygiene of the EQ coffee machine with the combined cleaning and descaling programme. Easy to use, calc'nClean provides a thorough clean and rinse, keeping the machine perfectly clean inside.



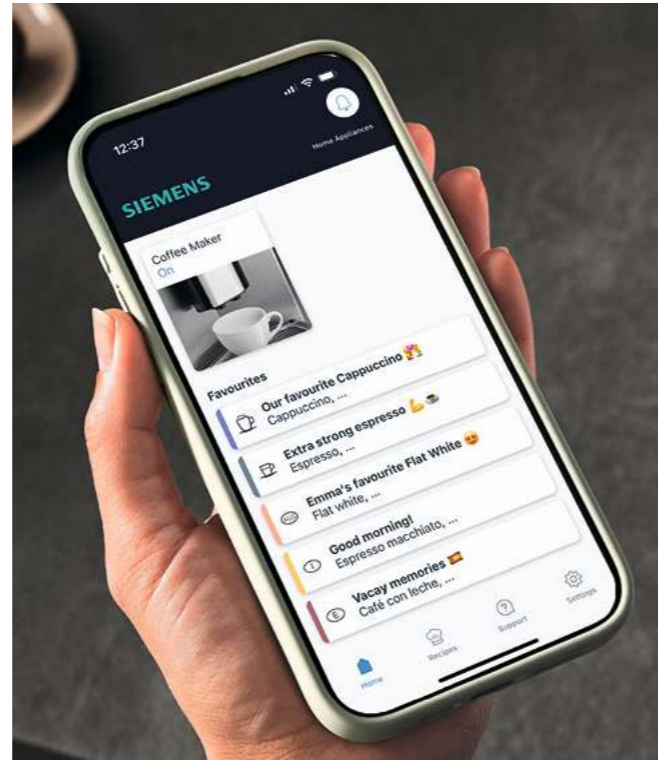
Coffee perfection, whenever needed.

All our coffee machines have a minimum of 4 pre-set drinks available to select from the display. From the EQ300 offering essential coffee classics of Americano, Cappuccino, Espresso and Latte Macchiato, all the way to the EQ900 Plus that allows access to a large selection of beverages directly via its large, intuitive TFT display. For even greater variety, the Siemens Home Appliances app unlocks the world of coffeeWorld Plus, expanding the repertoire to over 40 international beverage options and recipes.

The art of connected coffee

The full potential of the EQ connected range is unlocked through the Siemens Home Appliances app.

This all-in-one digital ecosystem provides access to a world of exclusive coffee recipes, delivers performance-enhancing software updates directly to the appliance, and integrates with voice assistants for intuitive, hands-free commands. A truly connected and sophisticated coffee experience.



Model shown: TQ927GZ3 EQ900 Plus iAroma fully automatic coffee machine

EQ900 Plus iAroma: Luxury meets coffee mastery

Take your coffee to the next level tailored to every detail.



Master more coffee specialties than ever, with a touch with the EQ900 Plus iAroma and EQ700 iAroma.

These machines offer more drinks than any other Siemens range before, with over 40 coffee specialties available on the appliance and in the app; Classic (11), XL drinks (6), coffeeWorld (24), with the number of beverages on the appliance depending on model, and all beverages available in the Siemens Home Appliances app. Also available are 9 coffee recipes directly on the appliance and 14 (9 + additional 5) via the coffeeWorld+ recipes in the Siemens Home Appliances app.



Experience coffeeWorld Plus: Global specialties on demand

Intelligent Siemens coffee machines with Home Connect unlock the exclusive coffeeWorld. This digital feature expands the standard beverage menu to include international coffee specialties as well as some coffee recipes, enabling a journey through global coffee culture. The preparation of complex recipes is managed seamlessly, delivering barista-quality results with precision and ease.

Seamless entertaining with the coffeePlaylist

These machines offer more drinks than any other Siemens range before, with over 40 coffee specialties available on the appliance and in the app; this intelligent feature allows for the creation of a curated 'playlist' of beverage orders. When hosting, a collection of individual coffee requests from guests can be compiled into a single list and sent directly to the machine. The appliance then autonomously prepares each specialty in the designated order, ensuring a seamless and uninterrupted experience where the focus remains on the guests, not the preparation.

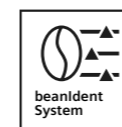


EQ900 Plus iAroma: Maximum enjoyment, zero effort with automatic cleaning and descaling.

The automatic cleaning and descaling process on the EQ900 Plus iAroma, provides maximum convenience. The descaling and cleaning runs automatically in the background and ensures the coffee machine is perfectly maintained at all times*. The integrated cartridges last up to nine months**. The autoCalc'n Clean function provides high levels of hygiene and convenience with less effort and guarantees consistently great coffee, every time.

*Provides an automatic cleaning and descaling process that runs when needed. This process only starts when the device is not in use. The cleaning and descaling liquid is provided in cartridges that are stored in the device.
** Depending on water hardness and usage frequency.

EQ900 Plus iAroma: state of the art innovations for exceptional user experience.



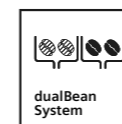
beanIdent System: Get the most out of every roast

Many factors influence the flavour profile of a coffee bean. The region where it is cultivated, with its specific climate and soil, as well as the type of roasting, all play a part. The beanIdent System optimally adjusts all brewing settings to ensure the full aromas are extracted. Simply enter the variety and roasting level and let the EQ900 Plus iAroma work its magic.



baristaMode: Individualise your coffee creation

There are five essential parameters of baristaMode that contribute to the quality of coffee and espresso: coffee strength, amount, temperature, coffee-to-milk ratio and brewing speed. The baristaMode allows for even finer, fully customised adjustments to please any coffee taste. Alternatively in comfortMode the machine makes these adjustments automatically leaving only the option to personalise strength and aroma.



dualBean System: Separate bean containers for a pure taste

Two separate coffee bean containers, each with its own grinder, ensure that the beans never get mixed up and guarantee that the desired flavour will always be achieved.



EQ900 Plus iAroma: Making every cup yours with 6 unique brewing parameters.*

*Combine 6 brewing parameters for a personalised coffee experience engineered to perfection:
Strength: 9 options / **Volume:** 4 options / **Grinding degree:** 6 options / **Contact time:** 3 options / **Brewing temperature:** 5 options / **Milk/coffee ratio:** 4 options

All above parameters (5 coffee brewing parameters and 1 milk related) directly and independently adjustable for the beverage (main carousel & even favourites/profiles) and the eGrinder.



EQ900 Plus iAroma and EQ700 iAroma Key features



Coffee on a grand scale, uncompromised flavour.

The engineering of the EQ900 Plus iAroma and EQ700 iAroma models is enhanced with a new XL Drinks tray. The tray's new design accommodates a diverse range of drinkware, from tall latte macchiato glasses to larger travel mugs. The result is enhanced convenience and versatility, seamlessly integrated into the machine's clean and modern aesthetic.

The beverage menu of the both the EQ900 Plus iAroma and EQ700 iAroma is now expanded to include new XL options, with generous servings of a variety of specialties – up to 480ml in a single cup or up to 750ml of café crema brewed in the pot. Each XL recipe is expertly calibrated, maintaining the optimal ratio of coffee, water, and milk to create a full-bodied experience in a larger format.



Clarity and convenience.

This generous high-resolution fully colour interface provides intuitive, visual guidance through the entire world of coffee specialties. Selecting and personalising beverages becomes an effortless and engaging process, with every parameter presented with absolute clarity for a seamless interaction. Available on EQ700 iAroma and EQ900 Plus iAroma.



oneTouch DoubleCup

For added convenience, two coffee-milk specialties can be poured at once. Most of the range has an integrated coffee and milk outlet with double spouts, for faster drink preparation.

cupPreheat

With cupPreheat, the cup is preheated with a splash of hot water before brewing to optimise the coffee drinking temperature. Empty the cup before dispensing the chosen drink.

Quiet operation.



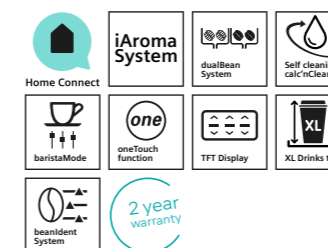
superSilent

Optimised soundproofing enables the most remarkable noise reduction.

Freestanding coffee machines

TQ927GZ3

EQ900 Plus iAroma Fully Automatic Espresso Machine
Stainless steel



Download and install the Siemens Home Appliances App. Home Connect Partners brought to you by Siemens Home Connect. amazon alexa works with Google Home IFTTT

Below are three featured coffee machines from our core collection. Please note that this is a sample of our full range, and a wider selection of models is available. Availability will differ based on chosen retailer.



Freestanding bean-to-cup coffee machine specifications

	EQ900 Plus iAroma	EQ700 iAroma	EQ300
Model number	TQ927GZ3	TQ727G03	TF301G19
Key feature	autoCalc'n Clean	+ Cup warmer	In-cup milk frother
iAroma system	■	■	■
Features			
Colour	Stainless steel	Stainless steel	Black
Grinder type	Full ceramic	Full ceramic	Ceramic/Steel
Milk warmer type	Integrated classic	Integrated classic	Milk wand
Display type	Extra large, high-resolution full-touch 6.8" iSelect Display	Large, high-resolution full-touch 5" iSelect Display	Touch button
doubleCup	■	■	-
doubleShot	■	■	-
Strength settings	baristaMode + beanIdent	aromaSelect	3
Temperature settings	■	■	-
Milk ratio settings	■	■	-
Cup warmer	■	■	-
User profiles/Favourites	■	■	-
Access panel	Side	Side	Front
Home Connect	■	■	-
Incl Brita Filter	■	■	■
Cup illumination	■	■	-
XL Drinks tray	■	■	-
Bean hopper capacity	270g + 280g	320g	250g
Slow and Cold Brew drink options	■	■	-
Water tank	2.3L	2.4L	1.4L
Pump Pressure	19 bar	19 bar	15 bar
Max cup height	16cm	16cm	13cm
Adjustable grinder	Electronic	Manual	Manual
Drink options	Full access to over 40 beverages from Classics, XL beverages and coffeeworld	Full access to over 40 beverages from Classics, XL beverages and coffeeworld	Capuccino, Coffee, Espresso, Latte Macchiato + Milk Foam

■ Yes, model has this feature. - Feature not available for this model.

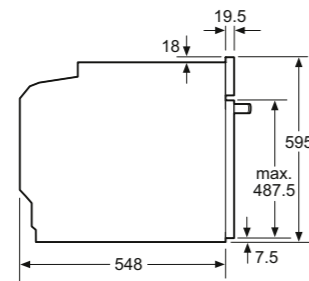
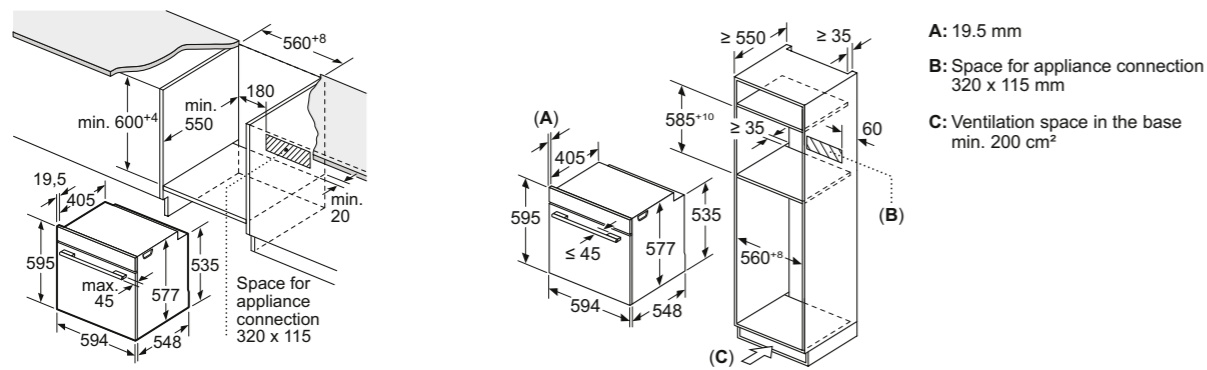
Data valid in this table as of April 2026. Subject to modification without prior notice.

For specification details, please visit siemens-home.bsh-group.com/uk and download a full specification sheet.

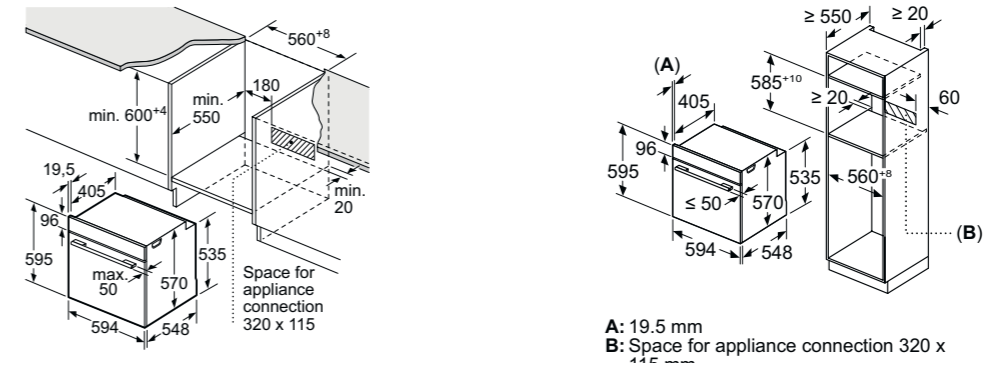
For the full range of accessories, please visit our online accessory shop at siemens-home.bsh-group.com/uk/shop or call our Spares Department on 0344 892 8999.

Oven technical diagrams

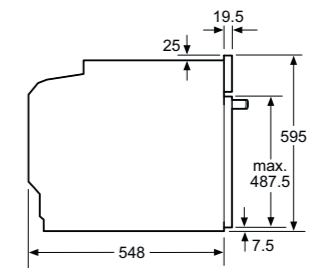
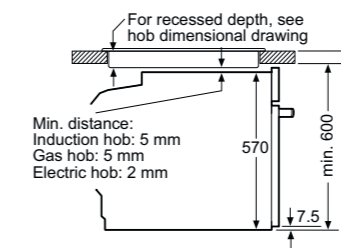
Single ovens HM778GMB1B, HB778G3B1B, HM776G1B1B, HB776G1B1B and HB736G1B1B



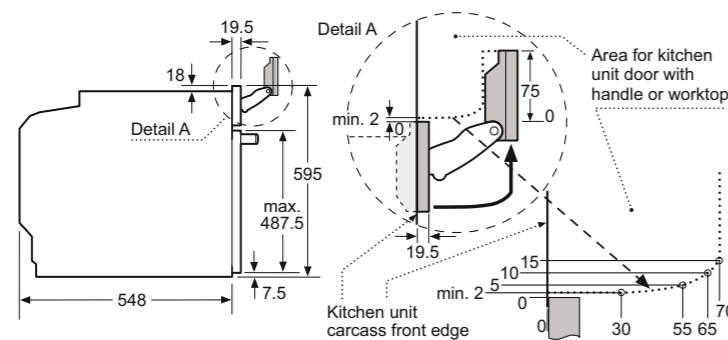
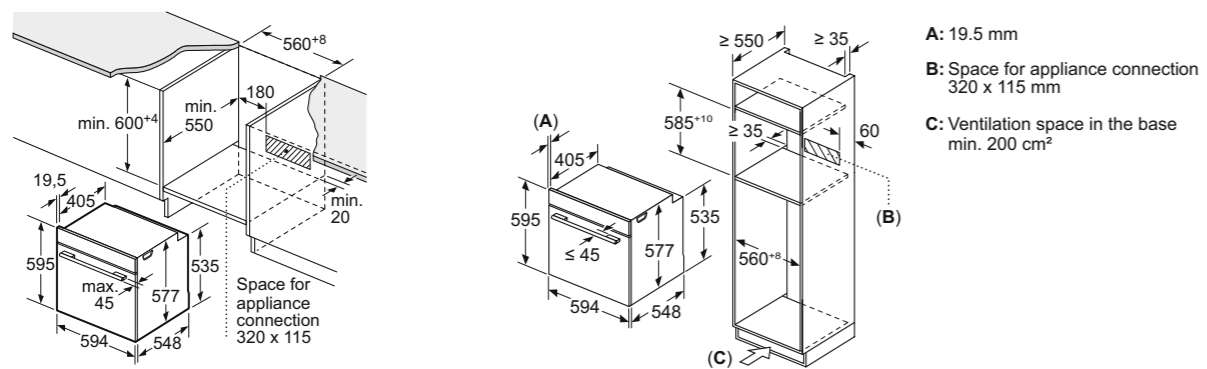
Single ovens HB578GBS7B and HB537GBS3B



Installation with a hob.

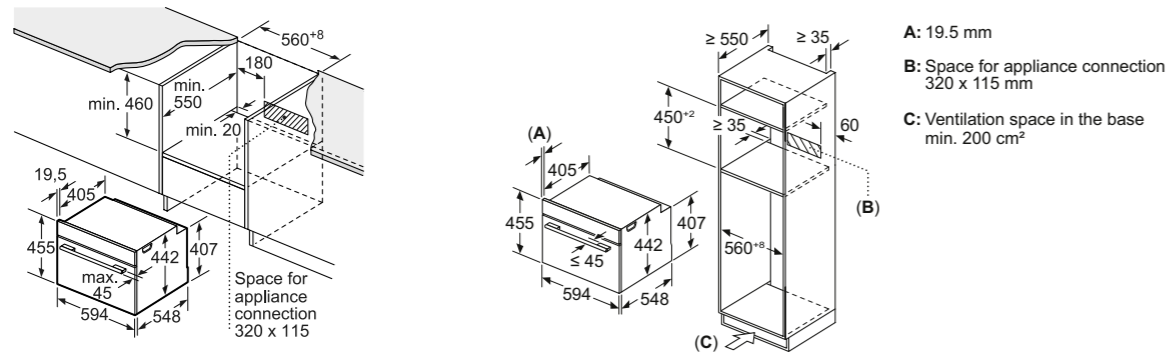


Single ovens HR776G1B1B, HS758G3B1B and HS736G1B1B

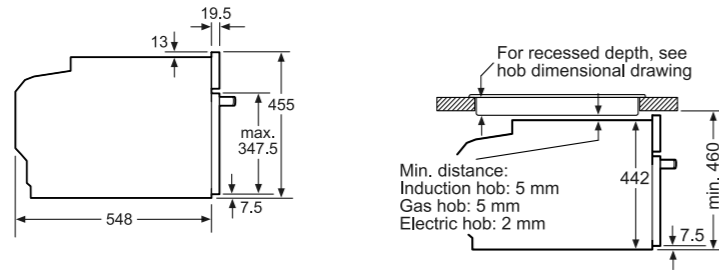


Oven technical diagrams

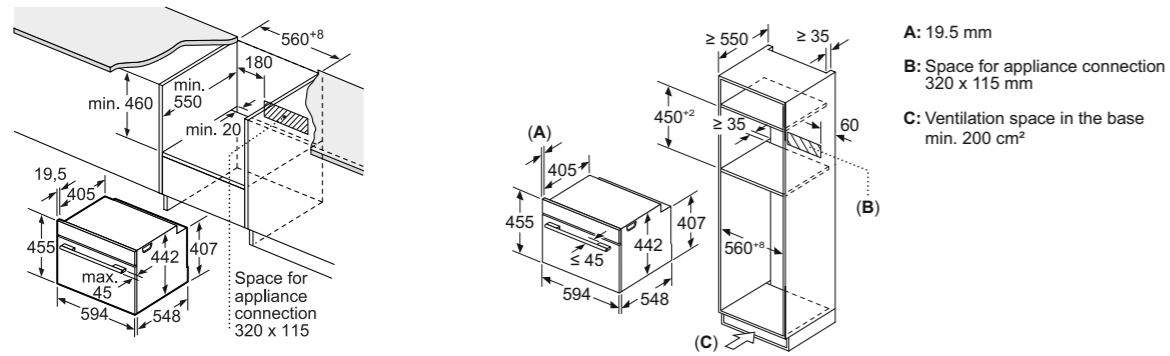
Compact ovens CM778GNB1B and CM776G1B1B



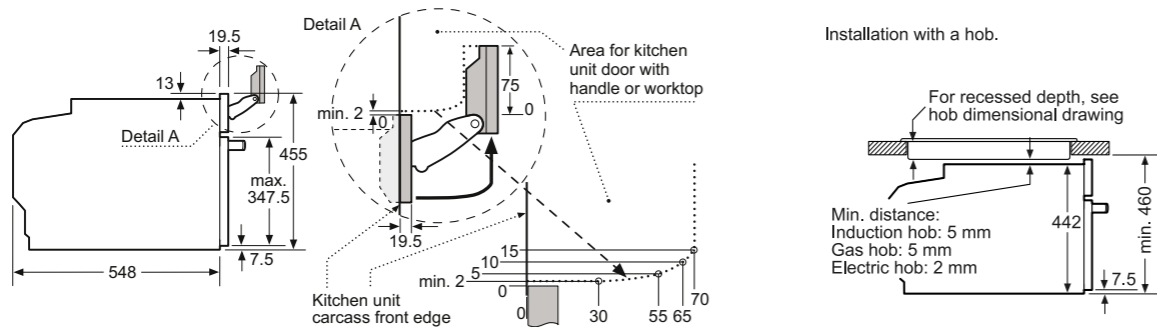
Installation with a hob.



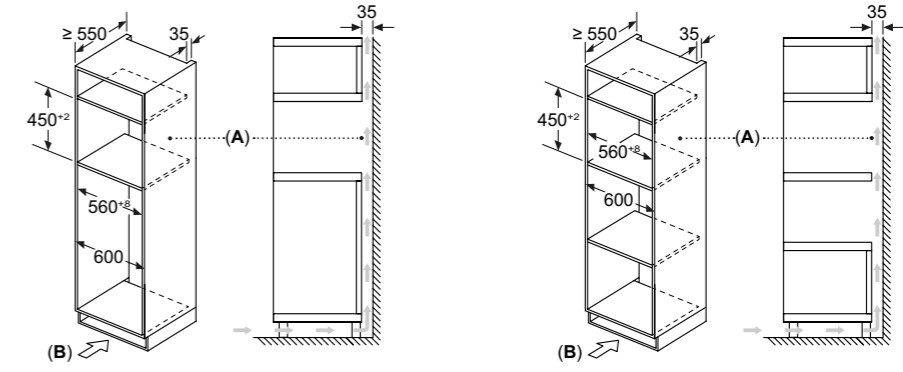
Compact oven CS736G1B1



Installation with a hob.

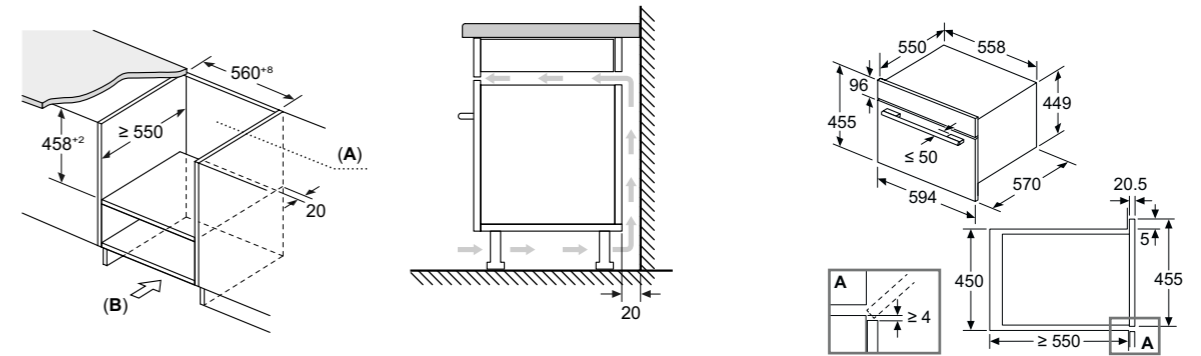


Compact microwave combination CM585AGS1B



A: Back wall open
B: Ventilation space in the plinth ≥ 100 cm²

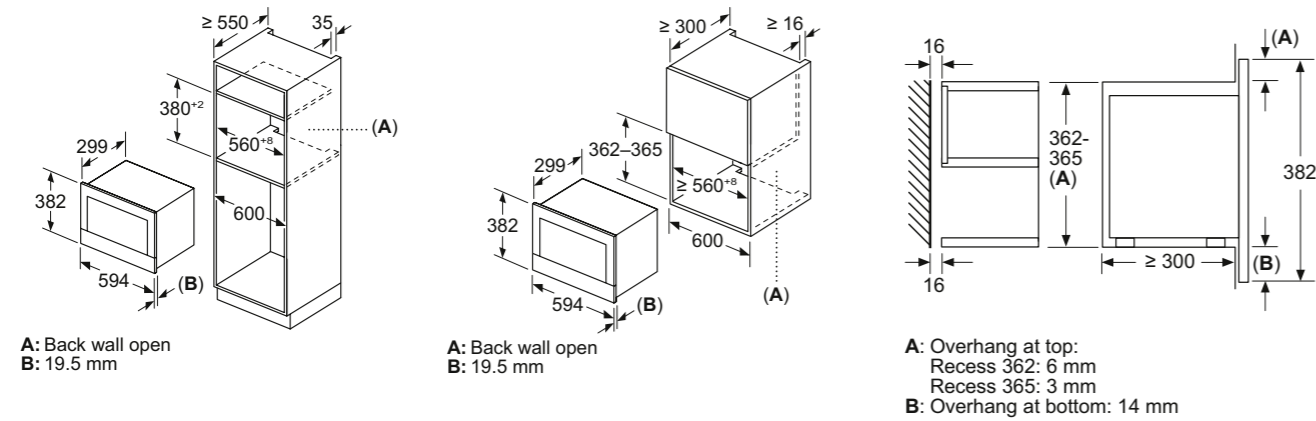
A: Back wall open
B: Ventilation space in the plinth ≥ 100 cm²



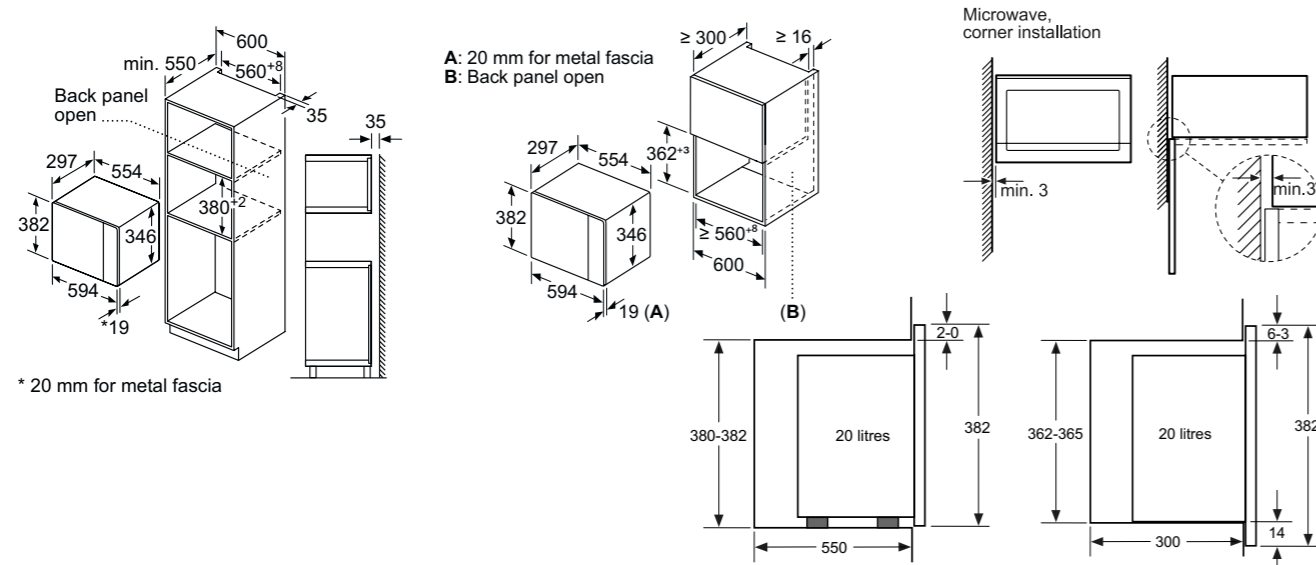
A: Back wall open
B: Ventilation space in the plinth ≥ 100 cm²

Microwave oven technical diagrams

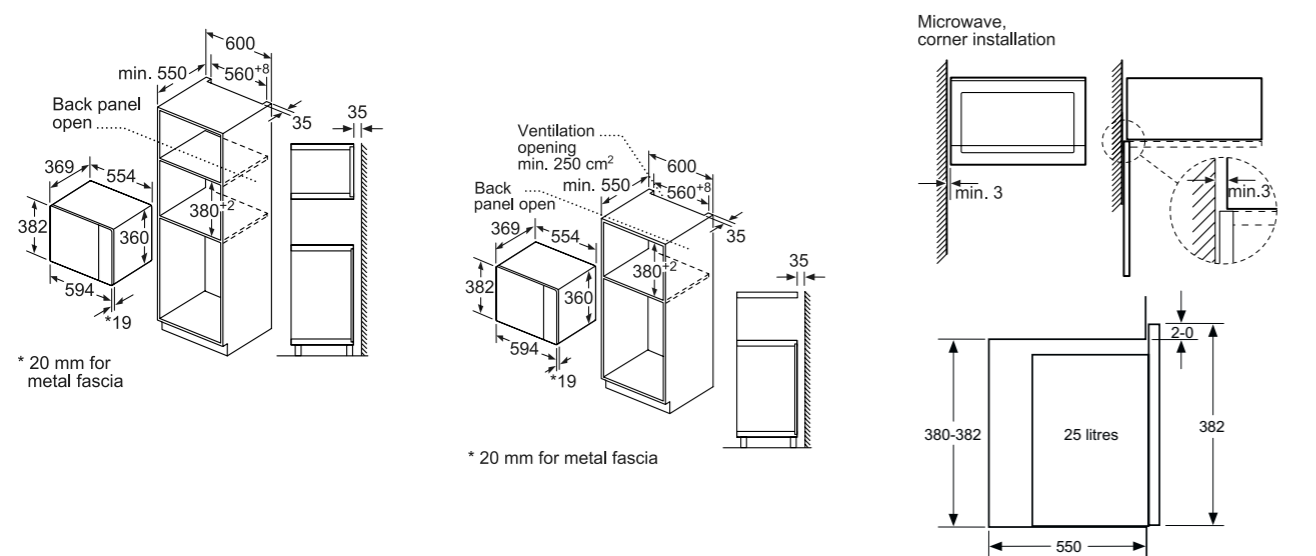
Microwave BF722L1B1B



Microwave BF525LMB1B

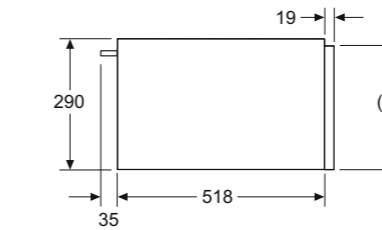
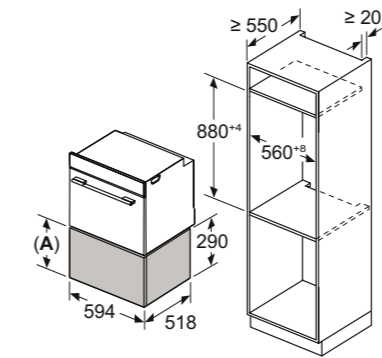


Microwave BF555LMB1B



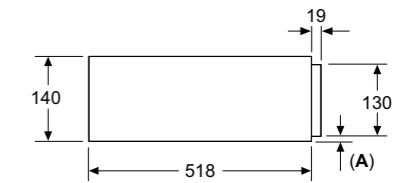
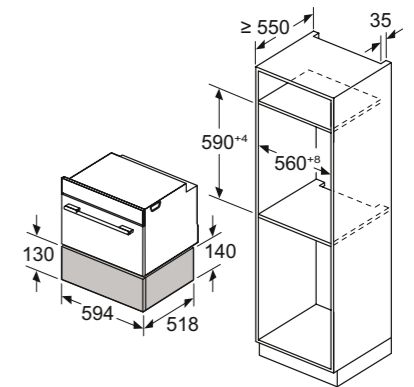
Warming drawer technical diagrams

Warming drawer BI710D1B1B



Ovens with appliance height of 595 mm can be installed above the warming drawer without an intermediate floor

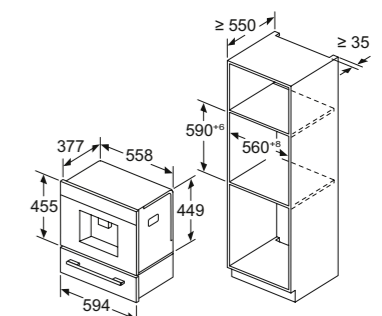
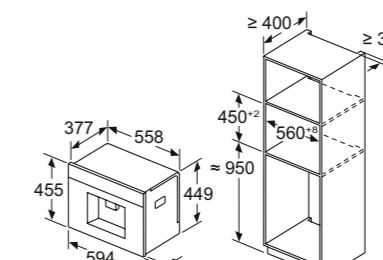
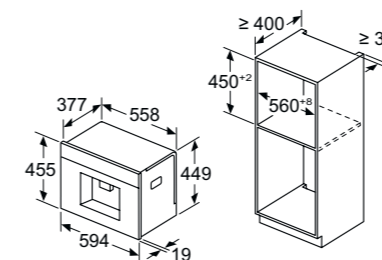
Warming drawer BI710C1B1B



Compact ovens with appliance height of 455 mm can be installed above the warming drawer without an intermediate floor

Coffee centre technical diagrams

Coffee centre CT718L1B0



Induction, ceramic and gas hobs. Designed to impress

The Siemens hob range combines stunning design with innovative technology and ergonomic design.

The advanced technology available on Siemens hobs ensures the cooking experience is as enjoyable as possible, while time-saving features help prepare dishes quickly and effortlessly. With a wide range of styles, sizes and cooking types to suit any needs and kitchen design.



Model shown: ED811BS16E
80cm inductionAir Plus hob

Siemens
HOB

Siemens hob warranties:



2 year warranty

A two year warranty is available on all Siemens hobs listed in this brochure to protect against manufacturing and material faults during this warranty period.

To find out more about warranty and for registration, please visit:
UK: [siemens-home.bsh-group.com/uk/customer-service/siemens-warranties](https://www.siemens-home.bsh-group.com/uk/customer-service/siemens-warranties)
IE: [siemens-home.bsh-group.com/ie/customer-service/warranty](https://www.siemens-home.bsh-group.com/ie/customer-service/warranty)

Elevate your kitchen with Siemens Matt Edition

The Siemens Matt Edition hob's understated elegance blends seamlessly with any home design.



Its soft, tactile surface pairs well with most materials, whether renovating a compact urban loft or designing a traditional country estate. The deep black colour and premium matt black finish make a sophisticated design statement.

Offering many benefits beyond aesthetics. Unlike glossy finishes, its matt surface makes fingerprints and scratches less visible. Dirt and smudges are easy to clean, so the kitchen can be kept pristine with minimum effort.

A matt finish also reduces glare, and reflection limiting visual distraction while cooking. The controls stand out more with the LED display appearing crisp and easy to read.

The deep black colour and premium matt black finish make a sophisticated design statement and with an inductionAir Plus and 2 flexInduction hobs to choose from, there is an option for every kitchen.

The perfect for hob for any kitchen



Model shown: **EX81AHL26E**
80cm wide inductionAir Plus hob (page 79)



Model shown: **EX81AHYC1E**
80cm wide flexInduction hob (page 83)



Model shown: **EX61AHYC1E**
60cm wide flexInduction hob (page 84)

Hobs cooking types at a glance

With intelligent technology, hob and hood automatic control, elegant design aesthetic and practical yet impressive functionality, Siemens hobs bring excitement and ease when creating dishes.

Induction cooking



inductionAir Plus venting hobs

The inductionAir Plus venting hobs provide the freedom to design the kitchen flexibly, with the added benefit of hassle-free cleaning. The innovative design means that the grease filters fit into an entirely detachable liquid tray unit which is designed to completely protect against spillages and over-boiled liquids.

Model shown: **ED851HQ26E** (page 79)



flexInduction hobs

Siemens flexInduction hobs are a must for diverse cooking. The cooking area can be tailored to the user's cooking needs: from using as a traditional induction hob with four or five separate zones – for boiling rice, for example - to linking the zones together to form one zone for larger cooking pans.

With flexInduction Plus, the hob automatically knows how large the cookware is. This provides even heat with the use of an additional central zone if the hob detects that the pan is too large.

Model shown: **EX975LVV1E** (page 82)



Induction hobs

Induction cooking is recognised as being one of the quickest, safest and most efficient methods of cooking available. When a pan with a ferrous or magnetic metal base is placed on the hob, the coil situated below the ceramic surface uses an electromagnetic field to create heat, almost instantly heating the pan. With only the base of the pan heated the cooking zone stays cooler.

Model shown: **ED851HWB1E** (page 85)

Ceramic cooking



quickLite hob

The surface of a glass ceramic hob heats up quickly and conveniently, while also being easy to clean due to the smooth and even surface. The cooking zones glow red when they are on and the temperature can be adjusted precisely, with up to 17 power levels. Siemens highSpeed cooking zones are also optimised for fast cooking and heat up almost instantly.

Model shown: **ET61RBEA1E** (page 89)

Gas cooking



Gas hobs

Tradition meets innovation – with their modern functions, Siemens gas hobs provide enjoyment in cooking like a pro. Low profile, single piece burners on glass completes the sleek appearance.

Model shown: **ER9A6SH40** (page 98)

Domino cooking



Domino hobs

The two gas domino hobs can be installed alone or side by side with other types of compatible hobs like the EX675HXC1E, to create a bespoke cooking area. The induction domino is a standalone product.

Models shown: **EX375FXB1E, ER3A6AI10, and ER3A6BI40** (pages 102-103)

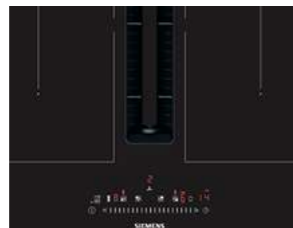
The perfect hob for any kitchen design

A perfect finish suitable for any modern kitchen.

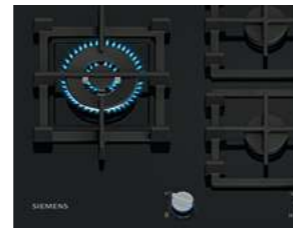
Siemens provides a wide selection of quality hob choices to ensure there is enough variety to choose from to match any kitchen style.



Matt black



Black ceramic glass



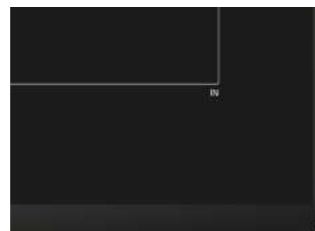
Black tempered glass

Perfectly framed.

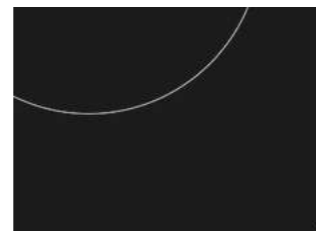
Siemens offers a variety of finishes to the hob frame to give the freedom to create a specific look or even match the hob to other Siemens products; from stand out premium steel trims to sleek flushline trims that fit neatly in line with the worktop surface.



Front bevel and side trims



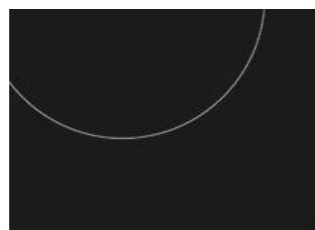
3 sided bevelled frameless finish



Flush fit



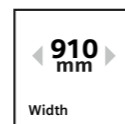
Front bevel



Frameless

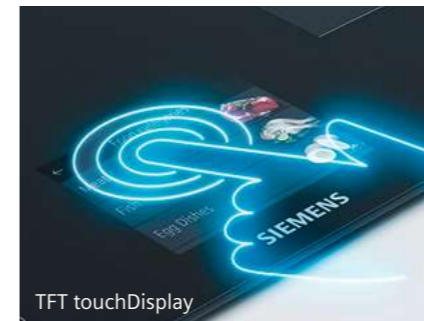


The perfect width.



Our hob range is available in a range of widths to suit specific kitchen design and needs. Our choice of induction hobs come in 60, 80 and 90cm options, gas is available in 60, 75 and 90cm options and venting hobs come in 60, 70 and 80cm options. Our domino induction and domino gas hobs come in 30cm to allow for more freedom with kitchen design.

Fingers on the pulse of innovation.



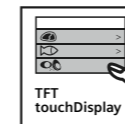
TFT touchDisplay



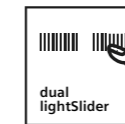
dual lightSlider



LED display



TFT touchDisplay
The innovative TFT touchDisplay allows the user to get the most out of the Siemens induction hob. The full colour touch screen is intuitive and easy to use with clear information about the hob's status at all times as well as additional settings that open up new possibilities. The settings for each individual cooking zones can be selected intuitively for easy control. The zones can even be combined when needed for added flexibility – for example, for different sizes of cookware and various accessories. The display screen gives access to a new world of recipes which can help cook the perfect dish in just a few simple steps, complete with images and clear text.



dual lightSlider
The dual lightSlider offers easy operation and selection of the cooking zones of the iQ700 induction hobs via one neatly arranged interface that illuminates when the hob is turned on. The power level of the cooking zones can be simply adjusted by sliding a finger along the lit scale or selecting the desired power level directly with precise control. When the hob is switched off, the controls are completely invisible for a sleek finish to the kitchen. As there are no protruding parts, cleaning is made even easier.



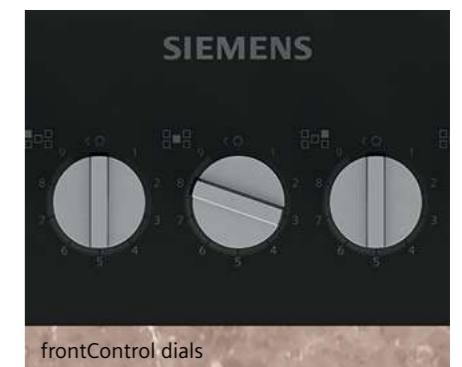
stepFlame technology; LED display
The innovative LED display on the Siemens gas hobs, part of our stepFlame Technology, brings digital precision to the traditional gas cooking experience. Instead of estimating the flame size, it allows to select one of nine precise, power levels with a simple turn of the control knob. The clear digital display not only shows the selected power level but also enhances safety by providing a residual heat indicator, to show when the pan support is still hot after cooking.



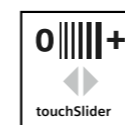
touchSlider



touchControl



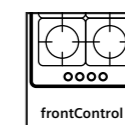
frontControl dials



touchSlider
The ergonomic touchSlider sits flush to the appliance, the power level scale can be adjusted to the desired setting at the slide of a finger, with control advances in half-levels from 1 to 9. Alternatively, the desired level can be selected directly for faster adjustments to the cooking zone temperature.



touchControl
Thanks to advanced touchControl technology, Siemens hobs can be operated by simply touching the surface. This means the controls are seamlessly integrated into the surface, which makes cleaning even easier.



frontControl
Gas hobs with the frontControl feature have all controls at the front of the appliance for ease of use.

Designed to make life easier

The Siemens Home Appliances App offers more flexibility by allowing the user to monitor appliances settings, including on/off status, active cooking zones, child lock implementation and cooking time status from anywhere. A wide range of recipes are available via the app and the cooking and temperature settings can be sent directly to the hob, perfect for busy evenings.

Take your cooking experience to the next level by connecting together a Siemens Home Connect hood with a Siemens Home Connect hob and access additional benefits. The integration of these two appliances allows more convenience with smart and synchronised functionalities. For instance, when the hob is started, the hood is automatically activated and adjust to the ideal settings, ensuring proper ventilation and eliminating the need for manual operation. This synchronisation enhances energy efficiency and optimises the effectiveness of both appliances.



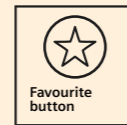
Smart features Available on selected models



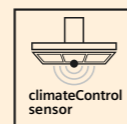
Intelligent hood automatic
The hood matches the fan level to the temperature and power of the hob, allowing to cook from start to finish without ever touching the hood by simply pairing both appliances with the Siemens Home Appliances App.



cookConnect system
Control the hood's power levels and lighting directly from the hob after pairing both appliances via the Siemens Home Appliances App. On top of this, once the hob is switched on, the hood will start automatically.



Favourite button
When connected to the Siemens Home Appliances App, the favourite button can be programmed to perform a chosen action. Whether it is activating a specific heat and timer setting, switching on hood lighting, or turning on other connected appliances and devices using IFTTT.



climateControl sensor
The climateControl sensor automatically adjusts the power level of the hood depending on the level of steam and odours in the air – keeping the kitchen fresher without having to manually adjust the power. The climateControl Sensor is activated by selecting the 'auto' button.

For more smart hood features see pages 112-113.

Download and install the Siemens Home Appliances App. Partners brought to you by Siemens Home Connect. amazon alexa google home IFTTT

Have it your way with Siemens Home Connect



Home Connect

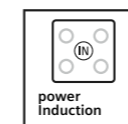
Intelligent connectivity gives more control, support and freedom. Whether it is getting a notification when dinner is ready, lowering the heat on the hob via a smartphone or tablet, or asking the smart assistant speaker (Amazon Alexa or Google Home) to turn off the hob while the table is being set, Siemens Home Connect gives access to more flexibility and more ways to personalise the kitchen.

Some of the features displayed can be accessed only if the device is connected to a Home Connect Account and a SingleKey ID account via the Internet. Home Connect is a service of Home Connect GmbH. For more information on Home Connect, visit www.home-connect.com/gb/en

Discover more exciting possibilities for a seamless life with Siemens and Siemens Home Connect. For more information visit siemens-home.bsh-group.com/uk/inspiration/innovation/connected/hobs-and-hoods



Discover the powerful responsiveness of Siemens induction cooking.



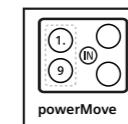
powerInduction
Instantly hot. Instantly cooler. With Siemens powerInduction the heat is conducted directly to the pans and their contents via induction coils, without heating the hob. Heat-up times are short, safety is increased, energy is saved and the hob is much easier to clean.



fryingSensor Plus
Consistent frying, perfected. Achieve consistently excellent frying results with fryingSensor Plus. This intelligent feature makes frying effortless by offering five precisely calibrated temperature levels for common dishes. Once the desired programme is selected, the hob signals the precise moment to add oil and then the food. From that point, the integrated sensor takes complete control, automatically maintaining the ideal temperature to prevent burning and eliminate guesswork. This ensures food is cooked to perfection with every use.



fryingSensor Pro
The pinnacle of automated control. For the culinary enthusiast who demands ultimate precision, fryingSensor Pro offers an unparalleled level of control. Building on the foundation of the Plus system, fryingSensor Pro provides an expanded range of eleven pre-defined temperature settings (70°C to 220°C). This granular control is perfect for everything from gently cooking delicate fish to achieving the perfect high-heat sear on a steak. The sensor delivers absolute precision frying by keeping the pan at the exact temperature required, empowering cooks to master complex dishes with absolute confidence and achieve professional-level results.

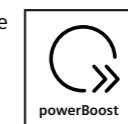


powerMove
Enables intuitive control by splitting the hob into various zones with different set temperatures (low to high). Depending on the hob it has 2, 3 or 5 different zones.

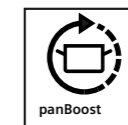


cookingSensor Plus ready*
Available for EX875LX67E, the cookingSensor Plus accessory automate the cooking process by precisely controlling the temperature inside the pot. It attaches to the pot and interacts with the cooktop, giving a signal when a certain temperature has been reached and keeping it exactly at that level to prevent overboiling.

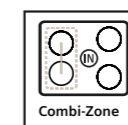
*requires optional accessory HZ39050 cookingSensor Plus



powerBoost
Increases power by up to 50% which can save on the time it takes to heat up pots or cook large quantities depending on the chosen dish.



panBoost
This feature heats cookware faster than when using heat setting 9. After 30 seconds, this function automatically switches itself off and reverts back to power level 9.



Combi-Zone
When using larger pots and pans, the Combi-Zone connects two induction zones together to ensure better heat coverage.



powerMove Plus



fryingSensor Plus



cookingSensor Plus

Please note: these features are on selected models. For information on model specification, please check pages 85-87.



Explore the science of inductionAir Plus cooking

Model shown: ED851HQ26E inductionAir Plus hob

Our best induction hob, evolved: inductionAir Plus



Model shown: EX875LX67E inductionAir Plus hob

The Siemens inductionAir Plus system combines cutting-edge induction technology, such as Combi-Zones and powerMove Plus, with sleek, integrated ventilation. Favoured in open plan and compact kitchens, inductionAir Plus hobs give a sense of free-flowing space and light for a more social experience within the kitchen.

inductionAir Plus hob

The inductionAir Plus hob gives more design flexibility when planning a kitchen, with the added benefit of hassle-free cleaning. The innovative design means that the grease filters fit into an entirely detachable liquid tray unit which is made to completely protect against spillages and over-boiled liquids.

How does it work?

All parts of the inductionAir Plus hob are neatly arranged in a liquid tray unit, accessed from the top of the hob. Each part is dishwasher-proof, including the black glass air inlet grid, the 2-in-1 grease filter and the liquid tray. Each part is also separate to save space in the dishwasher.

Protects from spills

As a first layer of protection, the black glass air inlet grid is designed to limit the flow of liquids into the ventilation module. As a second layer of protection, the liquid tray captures up to 200ml from day-to-day cooking and can be easily discarded. In addition, up to 700ml of additional liquid can be held in the liquid safety tank accessed from beneath the appliance, and safe-guarding the appliance from damage.



The perfect fit.

Size flexibility

The inductionAir Plus hob comes in 3 variants of size: 60cm, 70cm and 80cm. This means that, whatever space is available, there is an inductionAir Plus hob that will fit in perfectly.

Installation options

There are 4 different ways to install the inductionAir Plus hob, giving you plenty of options as to how and where to install it.

See page 70-71 for an outline of installation options and accessory requirements.

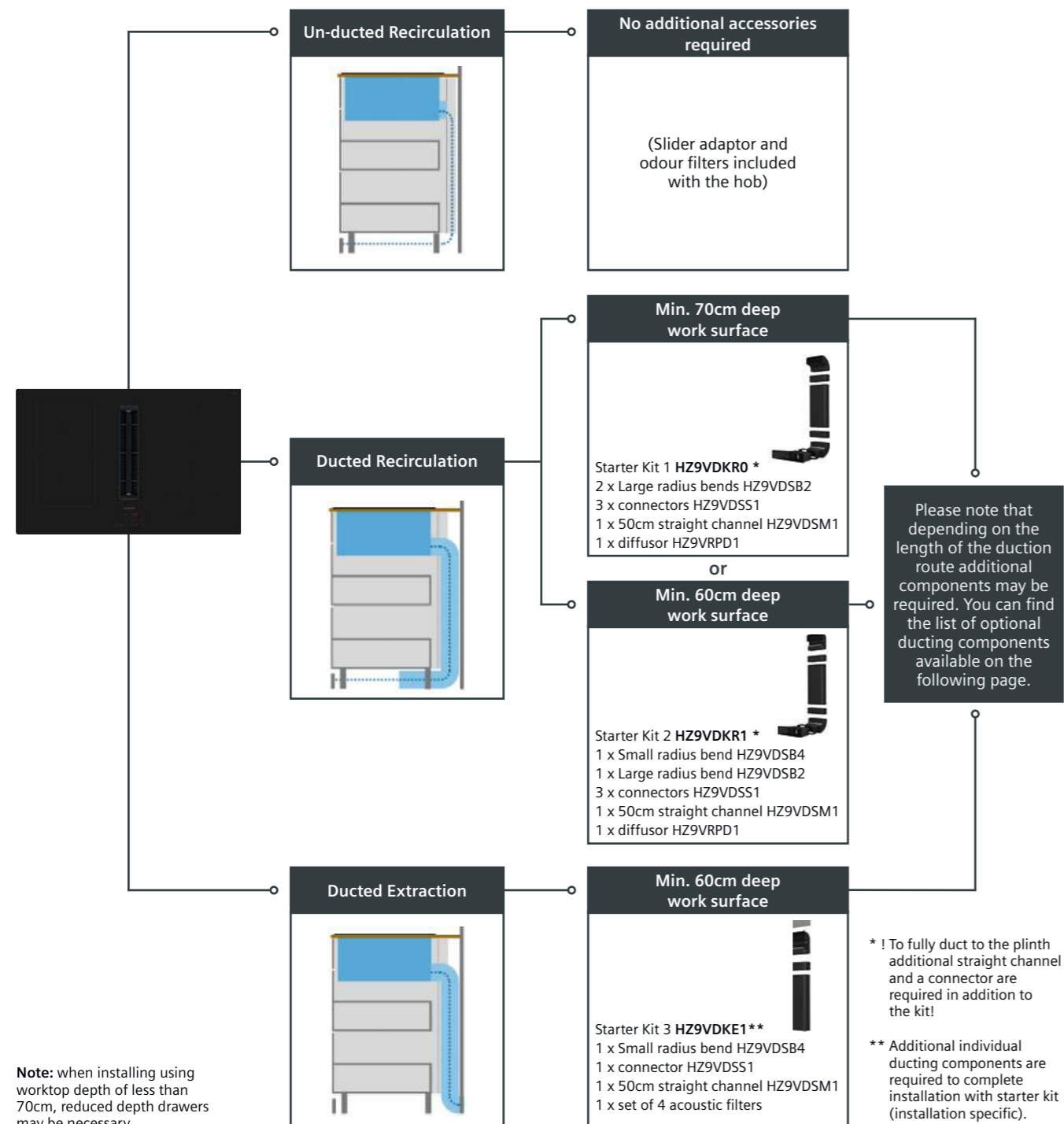


Scan to view installation options

Venting hobs – installation options

Depending on your chosen extraction route we have created a selection of ducting kits to simplify the installation process.

Select your chosen extraction mode from the options below.



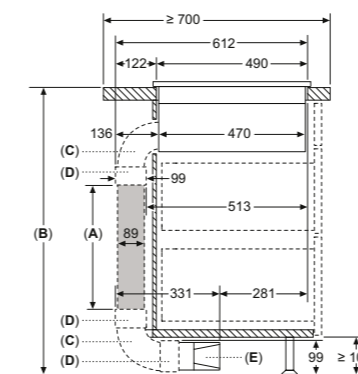
Note: when installing using worktop depth of less than 70cm, reduced depth drawers may be necessary.

Optional additional individual ducting components

	HZ9VDSM1	500mm long flat channel ducting section – outlet size 222mm x 89mm
	HZ9VDSM2	1000mm long flat channel ducting section – outlet size 222mm x 89mm
	HZ9VDSB1	Flat channel 90° horizontal bend, for worktop depth minimum 65cm – outlet size: 222mm x 89mm
	HZ9VDSB2	Flat channel 90° vertical bend (large radius), for worktop depth minimum 70cm – outlet size 222mm x 89mm
	HZ9VDSB3	Flat channel 90° vertical bend (medium radius), for worktop depth minimum 65cm – outlet size: 222mm x 89mm
	HZ9VDSB4	Flat channel 90° vertical bend (short radius), for worktop depth minimum 60cm – outlet size 222mm x 89mm
	HZ9VDSS1	Connection piece for use between straight channel ducting components and bends – outlet size: 222mm x 89mm
	HZ9VDSS2	Flexible Connection piece for use between straight channel ducting components and bends – outlet size: 222mm x 89mm
	HZ9VDSIO	Straight Adaptor / Converter flat to round (Ø 150mm) – outlet size: 222mm x 89mm
	HZ9VDSI1	90° Adaptor / Converter flat to round (Ø 150mm) – outlet size: 222mm x 89mm
	HZ9VRPD1	Diffusor for ducted recirculation – outlet size: 222mm x 89mm
	HZ9VRCR1	1 x set of cleanAir Plus recirculation filters

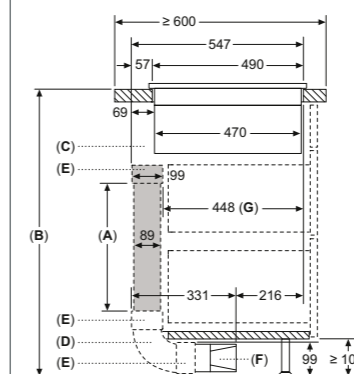
Additional planning notes for vented hob installation

Ducted recirculation using starter kit HZ9VDKR0 for min. 70cm worktop depth



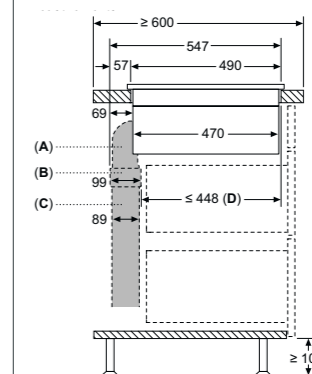
- Install the filters into the hob (included with venting hob)
- Use the adhesive to seal the first bend into the back of the hob
- Discard the telescopic slider piece included with venting hob

Ducted recirculation using starter kit HZ9VDKR1 for min. 60cm worktop depth



- Install the filters into the hob (included with venting hob)
- Use the adhesive to seal the first bend into the back of the hob
- Discard the telescopic slider piece included with venting hob

Ducted exhaust extraction using – Starter kit HZ9VDKE1 for min. 60cm worktop depth



A: 90° S-size bow
 B: Connector sleeves
 C: Straight tube 500 mm
 D: Shortened Drawer

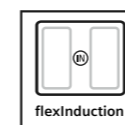
Grey highlighted ventilation parts are a predefined starting kit for ≥ 600 mm deep worktops

flexInduction and induction hobs



Model shown:
EX851HVC1E flexInduction hob

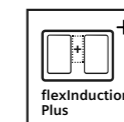
flexInduction, no-compromise cooking at its best.



Siemens flexInduction hobs are a must for diverse cooking. The cooking area can be tailored to individual needs, so it can either be used as a traditional induction hob with separate zones, or by linking the zones together for larger cooking pans. flexInduction also includes boost settings, automatic pan recognition and touchSlider controls.



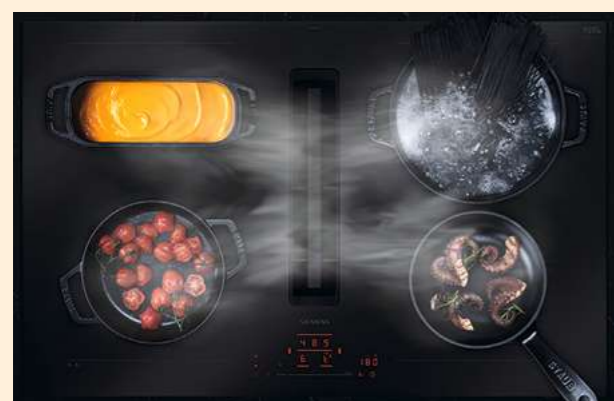
Each flexInduction zone houses four innovative elongated inductors beneath the glass, which act independently to detect the presence of cookware on the hob. The individual inductors only work when cookware is detected, whether that is a 10cm flex pan placed in one corner, or a large griddle plate covering the whole zone. With only specific areas active at any particular time, no energy is wasted. And for an even more versatile cooking, the triple flexInduction hob provides maximum versatility with three flexInduction zones. flexInduction is no-compromise cooking at its best.



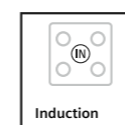
With flexInduction Plus, the cooking zones automatically adapt to the sizes of pots and pans of up to 30cm in diameter. If one cooking zone is not sufficient, additional inductors are automatically activated to ensure the heat is evenly applied at all times. flexInduction Plus offers additional flex zones for even larger pans. In 90cm variants an additional flex zone is possible with additional inductors below the hob surface situated in the centre of the hob. For 80cm flexInduction Plus hobs, the left and right zones can be extended further to allow for a larger cooking space. For 60cm flexInduction Plus hobs, no matter which side of the pan goes over, a central zone is automatically added.

More space, more style.

Redefining culinary flexibility, the new XL flexInduction zone EX81AHL26E provides two exceptionally large induction zones, designed for unrestricted cooking. This expansive area intelligently adapts to cookware of almost any size or shape, from a large teppanyaki plate to multiple pots and pans placed anywhere within the zone. It delivers precise, efficient heat exactly where it's needed. Its matt glass finish offers a distinctively modern kitchen aesthetic.



Model shown left and above:
EX81AHL26E inductionAir Plus hob



Induction cooking

Induction cooking is recognised as being one of the quickest, safest and most efficient methods of cooking available.

When a pan with a ferrous or magnetic metal base is placed on the hob, the coil situated below the ceramic surface uses an electromagnetic field to create heat, almost instantly heating the pan. With only the base of the pan heated the cooking zone stays cooler.

Easier to clean and safer to use, because the ceramic cooking surface is warmed only by the heat transferred back from the cookware and its contents, spillages are less likely to burn on. So there is normally no need to wait for the glass to cool down before simply wiping it over with a cloth, there is some residual heat from the cooking process but there is a reduced risk of burning on high temperatures from the hob surface. And if the induction hob is turned on without a pot or pan being placed on it, the hob itself will not heat up which reduces the risk of getting burnt.



Black glass finish

Our stunning induction hobs feature a black glass finish and bold displays. Our stylish collection mimics the aesthetics of our built-in ovens and microwaves, so our kitchen appliances can truly complement one another.

Hob accessories

For additional cooking flexibility Siemens provide a range of accessories for our flexInduction, gas and domino hobs.

flexInduction hob accessories

Flex Pan Pro sets

This range of induction pans are designed to work perfectly with induction and flexInduction hobs. The rectangular shape fits perfectly to the induction zones and the pans are all oven-proof up to 220°C with a non-stick coating so that food cooks perfectly while also being easy to clean. They are also easy to stack to maximise storage space.



4-piece set
HZ9FF040

(Consists of 1 x Flex Pan Pro large, 1 x Flex Pan Pro medium and 2 x Flex Pan Pro small with lids)

3-piece set
HZ9FF030

(Consists of 1 x Flex Pan Pro large, 1 x Flex Pan Pro medium and 1 x Flex Pan Pro small with lid)



Model shown:
HZ9FF030 Flex Pan Pro 3-piece pan set for induction hobs



Wireless roastingSensor meat probe

Models shown:
HZ32WA00 wireless roastingSensor meat probe (flexInduction hob for illustrative purpose only)

Wireless roastingSensor meat probe

By accurately tracking the core temperature of your dish, whether it is meat or fish, the wireless roastingSensor meat probe alerts you when the target temperature is reached and can even automatically switch off your oven.

For more information on the wireless meat probe, see page 42.



Griddle pan

Converts our induction cooktop into a grill, specially designed for use across four flexInductors. The griddle pan maintains an even heat, perfect for frying steak or for roasting meat, fish, and vegetables.



Griddle pan
HZ390522



Teppan Yaki

Heating extremely quickly the Teppan Yaki is great for fast Japanese cooking. Perfect for a cooked breakfast or a healthy stir-fry, the pan will fit across either three or four flexInductors.



34x20cm
HZ9TY010

Gas Accessories



Wok ring
17003262

Wok ring

Cooking oriental meals in a wok, requires a high temperature. This wok ring helps to regulate heat and concentrate the open flame to one area.

Domino Hob Accessories



CookingSensor Plus Wireless temperature sensor
HZ39050



Cast iron non-stick frying pan
HZ9FE280



Six piece pan set
HZ9SE060

OPTIONAL ACCESSORIES FOR HOBS	
CookingSensor Plus Wireless temperature sensor for cookingSensor Plus ready models	HZ39050
Connecting strip for use with side trim hobs	HZ394301
Flex Pan Pro Set 4 pcs. Perfect universal pans for the FlexZone. Consists of 1 x Flex Pan large, 1 x Flex Pan medium and 2 x Flex Pan small with lids	HZ9FF040
Flex Pan Pro Set 3 pcs. Perfect universal pans for the FlexZone. Consists of 1 x Flex Pan large, 1 x Flex Pan medium and 1 x Flex Pan small with lid	HZ9FF030
Flex Pan large approx. 35 x 22cm. Perfect universal pan for the FlexZone	HZ9FF010
Teppan Yaki approx. 34 x 20cm. Perfect for the FlexZone	HZ9TY010
Four piece pan set, suited for induction, radiant ceramic and gas. Consists of 1 x sauté pan, 2 x pots with lids and 1 x milk pan	HZ9SE040
Six piece pan set, suited for induction, radiant ceramic and gas. Consists of 2 x sauté pan, 3 x pots with lids and 1 x milk pan	HZ9SE060
Cast iron non-stick frying pan, suited for induction, base diameter 185mm	HZ9FE280
BergHOFF three piece induction pan set	HZ9SE030
Griddle plate, approx. 40x20 cm for use with flexInduction	HZ390522
Teppan Yaki, approx. 40x20 cm for use with flexInduction	HZ390512

For more details on the range of accessories available please visit siemens-home.bsh-group.com/uk/shop


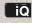








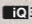

inductionAir Plus hobs product overview


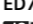






Home Connect

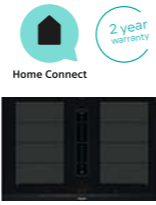


2 year warranty
A two year warranty is available on all Siemens hobs listed in this brochure to protect against manufacturing and material faults during this warranty period.

Display type	inductionAir Plus hob 812mm	inductionAir Plus hob 802mm	inductionAir Plus hob 802mm
Dual lightSlider	 <p>EX875LX67E  </p> <p>Stainless steel trims with front bevel</p> <ul style="list-style-type: none"> • 4 individual zones • 17 hob power levels • 17 + 2 Intensive hood power levels • powerBoost • fryingSensor Plus (5 levels) • Fully sensor based automatic extraction • 2 flexInduction zones 		
touchSlider		 <p>EX81AHL26E  </p> <p>Frameless (Available May 2026)</p> <ul style="list-style-type: none"> • 4 individual zones • 17 hob power levels • 9 + 2 Intensive hood power levels • powerBoost • fryingSensor Pro (11 levels) • Auto-On automatic extraction • 2 XL flexInduction zones • Favourite button 	 <p>ED851HQ26E  </p> <p>U-Bevel</p> <ul style="list-style-type: none"> • 4 individual zones • 17 hob power levels • 9 + 2 Intensive hood power levels • powerBoost • fryingSensor Pro (11 levels) • Auto-On automatic extraction • 2 combiZones (left & right) • Favourite button
touchControl			 <p>ED811BS16E  </p> <p>Frameless</p> <ul style="list-style-type: none"> • 4 individual zones • 17 hob power levels • 3 + 1 Intensive hood power levels • powerBoost • Auto-On automatic extraction • 1 combiZone

inductionAir Plus hob 710mm	inductionAir Plus hob 592mm
 <p>ED711HQ26E  </p> <p>Frameless</p> <ul style="list-style-type: none"> • 4 individual zones • 17 hob power levels • 9 + 2 Intensive hood power levels • powerBoost • fryingSensor Pro (11 levels) • Auto-On automatic extraction • 2 combiZones (left & right) • Favourite button 	
	 <p>ED611BS16E  </p> <p>Frameless</p> <ul style="list-style-type: none"> • 4 individual zones • 17 hob power levels • 3 + 1 Intensive hood power levels • powerBoost • Auto-On automatic extraction • 1 combiZone

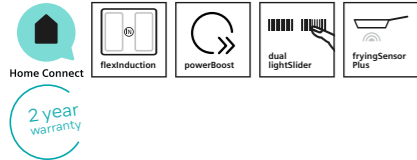
inductionAir Plus hobs



iQ 700 EX875LX67E

inductionAir Plus hob
Black glass

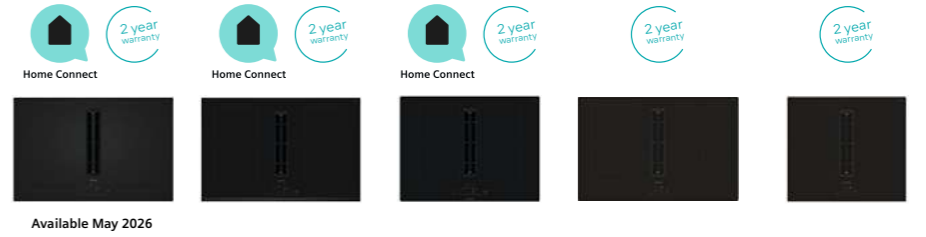
80cm



inductionAir Plus hob specifications

Appliance type		inductionAir plus hob	
Design family	iQ 700		
Model number	EX875LX67E		
Design			
Width (mm)	812		
Control position / Control type	Front / Dual lightSlider		
diamondProtect Surface / Matt black surface	- / -		
Style	Stainless steel trims with front bevel		
Key features			
Home Connect	■		
Integrated extractor	■		
cookingSensor Plus ready ¹	HZ39050 required		
fryingSensor	Plus: 5 levels		
Favourite Button	-		
Automatic extraction	Fully sensor based		
Number of flexInduction zones	2		
Number of combiZones	-		
Hob features			
Number of individual zones / Power levels	4 / 17		
powerBoost / powerMove Plus	■ / 3 stages		
panBoost	■		
Adaptable volume / Energy consumption display	- / ■		
Keep warm function	■		
quickStart / Quick stop (Quick switch-off)	■ / -		
flexMotion / reStart	■ / ■		
Demo mode	■		
Dish categories/setting recommendations	■ / ■		
Wipe protection function (Control panel pause)	■ / ■		
Safety features			
Residual heat indicator / Pan recognition	■ / ■		
Childproof lock / Pause function	■ / -		
Countdown timer / Count up timer	■ / ■		
Safety time switch off / Main on/off switch	■ / ■		
Hood features			
climateControl sensor / Metal grease filter	■ / ■		
Power levels	17 + 2 Intensive		
Automatic intensive revert setting	6 minutes		
Automatic or manual control	■		
Automatic after running: Extraction / Recirculation	12 / 30 minutes		
Interval operation	■		
Dishwasher safe grease filter cassette with spillage collection	Yes - 200ml capacity		
Dishwasher safe spillage overflow collector	700ml capacity		
Electronic grease filter/cleanAir filter saturation indicators	■ / ■		
Performance / Technical information – Hob			
Maximum power output (W)	7,400		
Nominal voltage (V)	220-240		
Electrical cable length (cm)	110		
Rear left zone - power (kW) / dimensions (mm)	2.20	200 x 240	
Rear right zone - power (kW) / dimensions (mm)	2.20	200 x 240	
Front left zone - power (kW) / dimensions (mm)	2.20	200 x 240	
Front right zone - power (kW) / dimensions (mm)	2.20	200 x 240	
flexInduction zone left - power (kW) / dimensions (mm)	3.30	400 x 240	
flexInduction zone right - power (kW) / dimensions (mm)	3.30	400 x 240	
combiZone left - power (kW) / dimensions (mm)	-	-	
combiZone right - power (kW) / dimensions (mm)	-	-	
Rear left zone / Rear right zone - with powerBoost (max. kW)	3.70 / 3.70		
Front left zone / Front right zone - with powerBoost (max. kW)	3.70 / 3.70		
Performance / Technical information – Extractor			
Extractor energy efficiency rating	B		
Extraction rate in m³/h^{1),2)}			
- ducted / recirculating power level maximum	500 / 499		
- ducted / recirculating power level intensive	622 / 595		
Noise level (sound power) based on dB[A] re 1pW^{1),4)}			
- ducted / recirculating power level maximum	69 / 68		
- ducted / recirculating power level intensive	74 / 72		
Motor power (W)	170		

■ Yes, model has this feature. - Feature not available for this model.
All models comply with COMMISSION (EC) No. 1275/2008 with regard to ecodesign requirements for standby and off mode electric power consumption.
¹ Max 3 sensors at any time; one WSP provided. ² Air flow and noise declarations made in line with CECEC Code Of Conduct. ³ Sound power measured according to EN60704-3 on largest pipe diameter.
Data valid in this table as of April 2026. Subject to modification without prior notice.


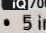

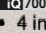

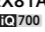

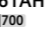

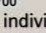

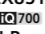

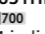


inductionAir Plus hob specifications

Appliance type		inductionAir plus hobs				
Design family	iQ 700	iQ 500	iQ 500	iQ 300	iQ 300	
Model number	EX81AHL26E	ED851HQ26E	ED711HQ26E	ED811BS16E	ED611BS16E	
Design						
Width (mm)	802	802	710	802	592	
Control position / Control type	Front / touchSlider	Front / touchSlider	Front / touchSlider	Front / touchControl	Front / touchControl	
diamondProtect Surface / Matt black surface	- / ■	- / -	- / -	- / -	- / -	
Style	Frameless	U-Bevel	Frameless	Frameless	Frameless	
Key features						
Home Connect	■	■	■	-	-	
Integrated extractor	■	■	■	■	■	
cookingSensor Plus ready ¹	-	-	-	-	-	
fryingSensor	Pro: 11 levels	Pro: 11 levels	Pro: 11 levels	-	-	
Favourite Button	■	■	■	-	-	
Automatic extraction	Auto-On	Auto-On	Auto-On	Auto-On	Auto-On	
Number of flexInduction zones	2 XL	-	-	-	-	
Number of combiZones	-	2: Left & Right	2: Left & Right	1	1	
Hob features						
Number of individual zones / Power levels	4 / 17	4 / 17	4 / 17	4 / 17	4 / 17	
powerBoost / powerMove Plus	■ / -	■ / -	■ / -	■ / -	■ / -	
panBoost	via HC/Favourite Button a. sw upd.	via HC/Favourite Button a. sw upd.	via HC/Favourite Button a. sw upd.	-	-	
Adaptable volume / Energy consumption display	■ / -	■ / -	■ / -	- / -	- / -	
Keep warm function	via HC/Favourite Button a. sw upd.	via HC/Favourite Button a. sw upd.	via HC/Favourite Button a. sw upd.	-	-	
quickStart / Quick stop (Quick switch-off)	■ / -	■ / -	■ / -	■ / ■	■ / ■	
flexMotion / reStart	■ / ■	- / ■	- / ■	- / ■	- / ■	
Demo mode	■	-	-	-	-	
Dish categories/setting recommendations	via HC app a. sw upd.	via HC app a. sw upd.	via HC app a. sw upd.	-	-	
Wipe protection function (Control panel pause)	-	-	-	-	-	
Safety features						
Residual heat indicator / Pan recognition	■ / ■	■ / ■	■ / ■	■ / ■	■ / ■	
Childproof lock / Pause function	■ / ■	■ / ■	■ / ■	■ / -	■ / -	
Countdown timer / Count up timer	■ / -	■ / -	■ / -	■ / -	■ / -	
Safety time switch off / Main on/off switch	■ / ■	■ / ■	■ / ■	■ / ■	■ / ■	
Hood features						
climateControl sensor / Metal grease filter	- / ■	- / ■	- / ■	- / ■	- / ■	
Power levels	9 + 2 Intensive	9 + 2 Intensive	9 + 2 intensive	3 + 1 intensive	3 + 1 intensive	
Automatic intensive revert setting	6 minutes	6 minutes	6 minutes	6 minutes	6 minutes	
Automatic or manual control	■	■	■	■	■	
Automatic after running: Extraction / Recirculation	12 / 30 minutes	12 / 30 minutes	12 / 30 minutes	12 / 30 minutes	12 / 30 minutes	
Interval operation	■	■	■	■	■	
Dishwasher safe grease filter cassette with spillage collection	Yes - 200ml capacity	Yes - 200ml capacity	Yes - 200ml capacity	Yes - 200ml capacity	Yes - 200ml capacity	
Dishwasher safe spillage overflow collector	700ml capacity	700ml capacity	700ml capacity	700ml capacity	700ml capacity	
Electronic grease filter/cleanAir filter saturation indicators	- / -	- / -	- / -	- / -	- / -	
Performance / Technical information – Hob						
Maximum power output (W)	7,400	7,400	7,400	7,400	7,400	
Nominal voltage (V)	220-240	220-240	220-240	220-240	220-240	
Electrical cable length (cm)	110	110	110	110	110	
Rear left zone - power (kW) / dimensions (mm)	2.20	220 x 230	2.50	190 x 210	2.20	190 x 210
Rear right zone - power (kW) / dimensions (mm)	2.20	220 x 230	2.50	190 x 210	1.80	180
Front left zone - power (kW) / dimensions (mm)	2.20	220 x 230	2.50	190 x 210	2.20	190 x 210
Front right zone - power (kW) / dimensions (mm)	2.20	220 x 230	2.50	190 x 210	2.20	210
flexInduction zone left - power (kW) / dimensions (mm)	3.30	440 x 230	-	-	-	-
flexInduction zone right - power (kW) / dimensions (mm)	3.30	440 x 230	-	-	-	-
combiZone left - power (kW) / dimensions (mm)	-	3.60	380 x 210	3.60	380 x 210	3.60
combiZone right - power (kW) / dimensions (mm)	-	3.60	380 x 210	3.60	380 x 210	-
Rear left zone / Rear right zone - with powerBoost (max. kW)	3.70 / 3.70		3.70 / 3.70		3.70 / 3.10	
Front left zone / Front right zone - with powerBoost (max. kW)	3.70 / 3.70		3.70 / 3.70		3.70 / 3.70	
Performance / Technical information – Extractor						
Extractor energy efficiency rating	B	B	B	B	B	
Extraction rate in m³/h^{1),2)}						
- ducted / recirculating power level maximum	500 / 499	500 / 487	500 / 487	500 / 441	500 / 441	
- ducted / recirculating power level intensive	622 / 595	622 / 595	622 / 595	622 / 595	622 / 595	
Noise level (sound power) based on dB[A] re 1pW^{1),4)}						
- ducted / recirculating power level maximum	69 / 68	69 / 68	69 / 68	69 / 66	69 / 66	
- ducted / recirculating power level intensive	74 / 72	74 / 72	74 / 72	74 / 72	74 / 72	
Motor power (W)	170	170	170	170	170	


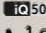

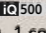

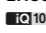

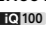

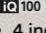

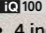

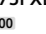
■ Yes, model has this feature. - Feature not available for this model.
All models comply with COMMISSION (EC) No. 1275/2008 with regard to ecodesign requirements for standby and off mode electric power consumption.
¹ Max 3 sensors at any time; one WSP provided. ² Air flow and noise declarations made in line with CECEC Code Of Conduct. ³ Sound power measured according to EN60704-3 on largest pipe diameter.
Data valid in this table as of April 2026. Subject to modification without prior notice.

flexInduction and induction hob product overview

Display type	flexInduction hob	flexInduction hob	flexInduction hob	flexInduction hob	flexInduction hob
	912mm	812mm	802mm	602mm	592mm
Dual lightSlider Stainless Steel trim, Front bevel	 <p>EX975LHV1E*  • 5 individual zones • 17 power levels • cookConnect • fryingSensor Plus (5 levels) • powerBoost • powerMove Plus (3 steps) • 2 flexInduction zones and 3 triple ring zones</p> <p>*Seamless installation with LD98WMM60B with kit *Domino compatible</p>	 <p>EX875LYV1E*  • 4 individual zones • 17 power levels • cookConnect • fryingSensor Plus (5 levels) • powerBoost • powerMove Plus (3 steps) • flexMotion • 2 flexInduction zones • 2 extended flexInduction zones</p> <p>*Requires HZ239050 additional accessory</p>			
touchSlider Frameless			 <p>EX81AHC1E  (Available May 2026) • Matt black surface • 4 individual zones • 17 power levels • cookConnect • fryingSensor Plus (11 levels) • powerBoost • flexMotion • 2 flexInduction zones • 2 extended flexInduction zones • Favourite button</p>	 <p>EX61AHC1E  (Available May 2026) • Matt black surface • 4 individual zones • 17 power levels • cookConnect • fryingSensor Pro (11 levels) • powerBoost • flexMotion • 2 flexInduction zones • 2 extended flexInduction zones • Favourite button</p>	
touchSlider Stainless Steel trim, Front bevel				 <p>EX675HXC1E  • 4 individual zones • 17 power levels • cookConnect • fryingSensor Pro (11 levels) • powerBoost • flexMotion • 2 flexInduction zones • Favourite button</p>	
touchSlider U-Bevel			 <p>EX851HVC1E  U-Bevel • 5 individual zones • 17 power levels • cookConnect • fryingSensor Plus (11 levels) • powerBoost • flexMotion • 1 flexInduction zone • Favourite button</p>	 <p>EX651HEC1E  • 4 individual zones • 17 power levels • cookConnect • fryingSensor Pro (11 levels) • powerBoost • flexMotion • 1 flexInduction zone • Favourite button</p>	



2 year warranty
 A two year warranty is available on all Siemens hobs listed in this brochure to protect against manufacturing and material faults during this warranty period.

Display type	Induction hob	Induction hob	Induction hob	Induction hob	Induction hob	Domino hob
	802mm	792mm	592mm	592mm	572mm	302mm
touchSlider U-Bevel	 <p>ED851HWB1E  • 1 combiZone • 5 individual zones • 17 power levels • cookConnect • powerBoost • Favourite button • Intelligent hood automatic</p>		 <p>ED651HSB1E  • 1 combiZone • 4 individual zones • 17 power levels • cookConnect • powerBoost • Favourite button • Intelligent hood automatic</p>			
touchSlider Flushfit		 <p>EH801HVB1E  • 5 individual zones • 17 power levels • cookConnect • powerBoost • Favourite button • Intelligent hood automatic</p>			 <p>EH601HEB1E  • 4 individual zones • 17 power levels • cookConnect • powerBoost • Favourite button • Intelligent hood automatic</p>	
touchSlider Frameless			 <p>EU611BEB5E  • 4 individual zones • 17 power levels • powerBoost</p>	 <p>EU611BEB5B  • 4 individual zones • 17 power levels • powerBoost • "Plug&Play" with GB Plug</p>		
touchSlider Stainless Steel trim, Front bevel						 <p>EX375FXB1E  • 2 individual zones • 17 power levels • powerBoost</p>

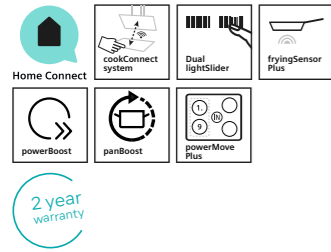
flexInduction hobs



iQ 700 EX975LVV1E

flexInduction hob
Black glass

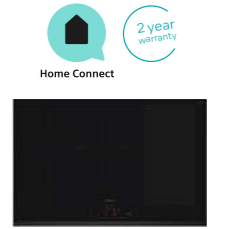
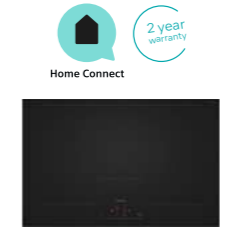
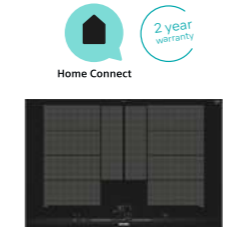
90cm



flexInduction hob specifications

flexInduction hob	
Appliance type	flexInduction hob
Design family	iQ 700
Model number	EX975LVV1E
Design	
Width (mm)	912
Control position / Control type	Front / Dual lightSlider
diamondProtect Surface / Matt black surface	- / -
Style	Stainless steel side trims with front bevel
Domino compatible	-
Key features	
Home Connect	■
cookConnect	■
cookingSensor Plus ready ¹	-
fryingSensor Plus settings for hob	5 levels
Intelligent hood automatic	-
Favourite button	-
freeInduction zone	-
Extended flexInduction zone ²	-
Number of flexInduction zones	2+3 triple ring zone
Number of combiZones	-
activeLight	-
Hob features	
Number of individual zones / Power levels	5 / 17
powerBoost / powerMove Plus	■ / 3 steps
panBoost	■
Adaptable volume / Energy consumption display	- / ■
Keep warm function	-
quickStart / Quick stop (Quick switch-off)	■ / -
flexMotion	-
reStart	■
Demo mode	■
Dish categories/setting recommendations	■
Wipe protection function (Control panel pause)	■
"Plug&Play" with GB plug	-
Safety features	
Residual heat indicator / Pan recognition	■ / ■
Childproof lock / Safety time switch off	■ / ■
Pause function	-
Countdown timer (Timer with automatic switch off for each zone)	■
Count up timer	■
Main on/off switch	■
Performance / Technical information	
Maximum power output (W)	11,100
Nominal voltage (V)	220-240
Electrical cable length (cm)	110
freeInduction zone - power (kW) / dimensions (mm)	- / -
Rear left flexInduction zone - power (kW) / dimensions (mm)	2.20 / 200 x 230
Rear left zone - power (kW) / diameter (mm)	- / -
Rear right flexInduction zone - power (kW) / dimensions (mm)	2.20 / 200 x 230
Rear right zone - power (kW) / diameter (mm)	- / -
Rear centre zone - power (kW) / diameter (mm)	2.2, 2.6, 3.3 / 210, 260, 320
Front centre zone - power (kW) / diameter (mm)	- / -
Front left flexInduction zone - power (kW) / dimensions (mm)	2.20 / 200 x 230
Front left zone - power (kW) / diameter (mm)	- / -
Front right flexInduction zone - power (kW) / dimensions (mm)	2.20 / 200 x 230
Front right zone - power (kW) / diameter (mm)	- / -
flexInduction zone left - power (kW) / dimensions (mm)	3.30 / 400 x 230
flexInduction zone right - power (kW) / dimensions (mm)	3.30 / 400 x 230
Extended flexInduction rear left - power (kW) / dimensions (mm)	- / -
Extended flexInduction rear right - power (kW) / dimensions (mm)	- / -
combiZone left - power (kW) / dimensions (mm)	- / -
combiZone right - power (kW) / dimensions (mm)	- / -
freeInduction zone right - powerBoost (max. kW)	-
Rear left zone / Rear right zone - with powerBoost (max. kW)	3.70 / 3.70
Rear centre zone - with powerBoost (max. kW)	3.70
Front left zone / Front right zone - with powerBoost (max. kW)	3.70 / 3.70

■ Yes, model has this feature. - Feature not available for this model.
 All models comply with COMMISSION (EC) No. 1275/2008 with regard to ecodesign requirements for standby and off mode electric power consumption.
¹Max 3 sensors at any time. "Ready" identifies products with feature enabled, sensor available as additional purchase. If sensor is supplied, number supplied is detailed.
²On 60cm model, the single centre aux inductor can work only with either the left or right zones. On the 80cm models, there are two aux inductors, one allocated each to the left and right zones. No bridge is possible to use 2 aux zones together.
Data valid in this table as of April 2026. Subject to modification without prior notice.

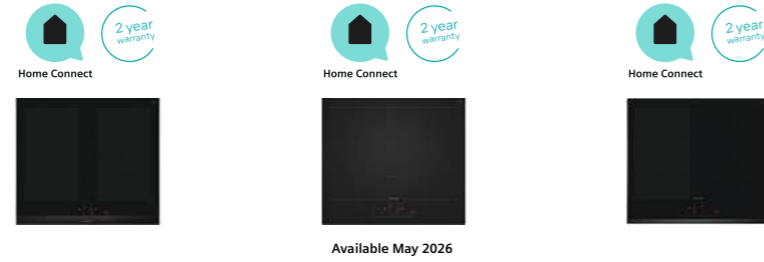


Available May 2026

flexInduction hob specifications

flexInduction hobs		flexInduction hobs		flexInduction hobs	
Appliance type	flexInduction hobs	flexInduction hobs	flexInduction hobs	flexInduction hobs	flexInduction hobs
Design family	iQ 700	iQ 700	iQ 700	iQ 700	iQ 700
Model number	EX875LVV1E	EX81AHC1E	EX81AHC1E	EX851HVC1E	EX851HVC1E
Design					
Width (mm)	812	802	802	802	802
Control position / Control type	Front / Dual lightSlider	Front / touchSlider	Front / touchSlider	Front / touchSlider	Front / touchSlider
diamondProtect Surface / Matt black surface	- / -	- / ■	- / -	- / -	- / -
Style	Stainless steel side trims with front bevel	Frameless	-	U-Bevel	-
Domino compatible	-	-	-	-	-
Key features					
Home Connect	■	■	■	■	■
cookConnect	■	■	■	■	■
cookingSensor Plus ready ¹	-	-	-	-	-
fryingSensor Plus settings for hob	5 levels	11 levels	11 levels	11 levels	11 levels
Intelligent hood automatic	-	■	■	■	■
Favourite button	-	■	■	■	■
freeInduction zone	-	-	-	-	-
Extended flexInduction zone ²	2	2	-	-	-
Number of flexInduction zones	2	2	-	1	-
Number of combiZones	-	-	-	-	-
activeLight	-	-	-	-	-
Hob features					
Number of individual zones / Power levels	4 / 17	4 / 17	4 / 17	5 / 17	5 / 17
powerBoost / powerMove Plus	■ / 3 steps	■ / -	■ / -	■ / -	■ / -
panBoost	■	■	Via HC/Favourite Button	Via HC/Favourite Button	Via HC/Favourite Button
Adaptable volume / Energy consumption display	- / ■	- / ■	■ / -	■ / -	■ / -
Keep warm function	-	-	Via HC/Favourite Button	Via HC/Favourite Button	Via HC/Favourite Button
quickStart / Quick stop (Quick switch-off)	■ / -	■ / -	■ / -	■ / -	■ / -
flexMotion	■	■	■	■	■
reStart	■	■	■	■	■
Demo mode	■	■	■	■	■
Dish categories/setting recommendations	■	■	Via HC app	Via HC app	Via HC app
Wipe protection function (Control panel pause)	■	■	-	-	-
"Plug&Play" with GB plug	-	-	-	-	-
Safety features					
Residual heat indicator / Pan recognition	■ / ■	■ / ■	■ / ■	■ / ■	■ / ■
Childproof lock / Safety time switch off	■ / ■	■ / ■	■ / ■	■ / ■	■ / ■
Pause function	-	■	■	■	■
Countdown timer (Timer with automatic switch off for each zone)	■	■	■	■	■
Count up timer	■	-	-	-	-
Main on/off switch	■	■	■	■	■
Performance / Technical information					
Maximum power output (W)	7,400	7,400	7,400	7,400	7,400
Nominal voltage (V)	220-240	220-240	220-240	220-240	220-240
Electrical cable length (cm)	110	110	110	110	110
freeInduction zone - power (kW) / dimensions (mm)	- / -	- / -	- / -	- / -	- / -
Rear left flexInduction zone - power (kW) / dimensions (mm)	2.20 / 200 x 230	2.20 / 200 x 230	2.20 / 200 x 230	2.20 / 200 x 230	2.20 / 200 x 210
Rear left zone - power (kW) / diameter (mm)	- / -	- / -	- / -	1.60 / 145	- / -
Rear right flexInduction zone - power (kW) / dimensions (mm)	2.20 / 200 x 230	2.20 / 200 x 230	2.20 / 200 x 230	2.20 / 200 x 210	2.20 / 200 x 210
Rear right zone - power (kW) / diameter (mm)	- / -	- / -	- / -	- / -	- / -
Rear centre zone - power (kW) / diameter (mm)	- / -	- / -	- / -	2.50 / 240	- / -
Front centre zone - power (kW) / diameter (mm)	- / -	- / -	- / -	- / -	- / -
Front left flexInduction zone - power (kW) / dimensions (mm)	2.20 / 200 x 230	2.20 / 200 x 230	2.20 / 200 x 230	2.20 / 200 x 210	2.20 / 200 x 210
Front left zone - power (kW) / diameter (mm)	- / -	- / -	- / -	2.00 / 180	- / -
Front right flexInduction zone - power (kW) / dimensions (mm)	2.20 / 200 x 230	2.20 / 200 x 230	2.20 / 200 x 230	2.20 / 200 x 210	2.20 / 200 x 210
Front right zone - power (kW) / diameter (mm)	- / -	- / -	- / -	- / -	- / -
flexInduction zone left - power (kW) / dimensions (mm)	3.30 / 400 x 230	3.30 / 400 x 230	3.30 / 400 x 230	3.30 / 400 x 210	3.30 / 400 x 210
flexInduction zone right - power (kW) / dimensions (mm)	3.30 / 400 x 230	3.30 / 400 x 230	3.30 / 400 x 230	3.30 / 400 x 210	3.30 / 400 x 210
Extended flexInduction rear left - power (kW) / dimensions (mm)	3.30 / 300 x 300	3.30 / 300 x 300	3.30 / 300 x 300	- / -	- / -
Extended flexInduction rear right - power (kW) / dimensions (mm)	3.30 / 300 x 300	3.30 / 300 x 300	3.30 / 300 x 300	- / -	- / -
combiZone left - power (kW) / dimensions (mm)	- / -	- / -	- / -	- / -	- / -
combiZone right - power (kW) / dimensions (mm)	- / -	- / -	- / -	- / -	- / -
freeInduction zone right - powerBoost (max. kW)	-	-	-	-	-
Rear left zone / Rear right zone - with powerBoost (max. kW)	3.70 / 3.70	3.70 / 3.70	3.70 / 3.70	2.20 / 3.70	2.20 / 3.70
Rear centre zone - with powerBoost (max. kW)	-	-	-	3.70	3.70
Front left zone / Front right zone - with powerBoost (max. kW)	3.70 / 3.70	3.70 / 3.70	3.70 / 3.70	3.10 / 3.70	3.10 / 3.70

■ Yes, model has this feature. - Feature not available for this model.
 All models comply with COMMISSION (EC) No. 1275/2008 with regard to ecodesign requirements for standby and off mode electric power consumption.
¹Max 3 sensors at any time. "Ready" identifies products with feature enabled, sensor available as additional purchase. If sensor is supplied, number supplied is detailed.
²On 60cm model, the single centre aux inductor can work only with either the left or right zones. On the 80cm models, there are two aux inductors, one allocated each to the left and right zones. No bridge is possible to use 2 aux zones together.
Data valid in this table as of April 2026. Subject to modification without prior notice.



flexInduction hob specifications

Appliance type	iQ700		iQ700		iQ700	
Design family	EX675HXC1E		EX61AHC1E		EX651HEC1E	
Model number	EX675HXC1E		EX61AHC1E		EX651HEC1E	
Design						
Width (mm)	602		592		592	
Control position / Control type	Front / touchSlider		Front / touchSlider		Front / touchSlider	
diamondProtect Surface / Matt black surface	- / -		- / ■		- / -	
Style	Stainless steel side trim with front bevel		Frameless		U-Level	
Domino compatible	■		-		-	
Key features						
Home Connect	■		■		■	
cookConnect	■		■		■	
cookingSensor Plus ready ¹	-		-		-	
fryingSensor Plus settings for hob	11 levels		11 levels		11 levels	
Intelligent hood automatic	■		■		■	
Favourite button	■		■		■	
freeInduction zone	-		-		-	
Extended flexInduction zone ²	-		2		-	
Number of flexInduction zones	2		2		1	
Number of combiZones	-		-		-	
activeLight	-		-		-	
Hob features						
Number of individual zones / Power levels	4 / 17		4 / 17		4 / 17	
powerBoost / powerMove Plus	■ / -		■ / -		■ / -	
panBoost	via HC/Favourite Button		via HC/Favourite Button		via HC/Favourite Button	
Adaptable volume / Energy consumption display	■ / -		■ / -		■ / -	
Keep warm function	via HC/Favourite Button		via HC/Favourite Button		via HC/Favourite Button	
quickStart / Quick stop (Quick switch-off)	■ / -		■ / -		■ / -	
flexMotion	■		■		■	
reStart	■		■		■	
Demo mode	■		■		■	
Dish categories/setting recommendations	Via HC app		Via HC app		Via HC app	
Wipe protection function (Control panel pause)	-		-		-	
Plug&Play with GB plug	-		-		-	
Safety features						
Residual heat indicator / Pan recognition	■ / ■		■ / ■		■ / ■	
Childproof lock / Safety time switch off	■ / ■		■ / ■		■ / ■	
Pause function	■		■		■	
Countdown timer (Timer with automatic switch off for each zone)	■		■		■	
Count up timer	-		-		-	
Main on/off switch	■		■		■	
Performance / Technical information						
Maximum power output (W)	7,400		7,400		7,400	
Nominal voltage (V)	220-240		220-240		220-240	
Electrical cable length (cm)	110		110		110	
freeInduction zone - power (kW) / dimensions (mm)	-		-		-	
Rear left flexInduction zone - power (kW) / dimensions (mm)	2.20	190 x 230	2.20	190 x 230	2.20	190 x 230
Rear left zone - power (kW) / diameter (mm)	-	-	-	-	-	-
Rear right flexInduction zone - power (kW) / dimensions (mm)	2.20	190 x 230	2.20	190 x 230	-	-
Rear right zone - power (kW) / diameter (mm)	-	-	-	-	1.60	145
Rear centre zone - power (kW) / diameter (mm)	-	-	-	-	-	-
Front centre zone - power (kW) / diameter (mm)	-	-	-	-	-	-
Front left flexInduction zone - power (kW) / dimensions (mm)	2.20	190 x 230	2.20	190 x 230	2.20	190 x 230
Front left zone - power (kW) / diameter (mm)	-	-	-	-	-	-
Front right flexInduction zone - power (kW) / dimensions (mm)	2.20	190 x 230	2.20	190 x 230	-	-
Front right zone - power (kW) / diameter (mm)	-	-	-	-	2.50	210
flexInduction zone left - power (kW) / dimensions (mm)	3.30	380 x 230	3.30	380 x 230	3.30	380 x 230
flexInduction zone right - power (kW) / dimensions (mm)	3.30	380 x 230	3.30	380 x 230	-	-
Extended flexInduction rear left - power (kW) / dimensions (mm)	-	-	3.30	300 x 298	-	-
Extended flexInduction rear right - power (kW) / dimensions (mm)	-	-	3.30	300 x 298	-	-
combiZone left - power (kW) / dimensions (mm)	-	-	-	-	-	-
combiZone right - power (kW) / dimensions (mm)	-	-	-	-	-	-
freeInduction zone right - powerBoost (max. kW)	-		-		-	
Rear left zone / Rear right zone - with powerBoost (max. kW)	3.70 / 3.70		3.70 / 3.70		3.70 / 3.70	
Rear centre zone - with powerBoost (max. kW)	-		-		-	
Front left zone / Front right zone - with powerBoost (max. kW)	3.70 / 3.70		3.70 / 3.70		3.70 / 3.70	

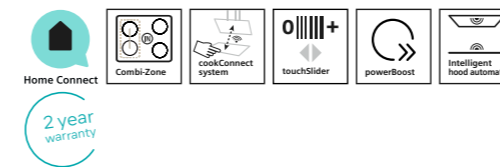
■ Yes, model has this feature. - Feature not available for this model.
 All models comply with COMMISSION (EC) No. 1275/2008 with regard to ecodesign requirements for standby and off mode electric power consumption.
¹Max 3 sensors at any time. "Ready" identifies products with feature enabled, sensor available as additional purchase. If sensor is supplied, number supplied is detailed.
²On 60cm model, the single centre aux inductor can work only with either the left or right zones. On the 80cm models, there are two aux inductors, one allocated each to the left and right zones. No bridge is possible to use 2 aux zones together.
Data valid in this table as of April 2026. Subject to modification without prior notice.

Induction hobs

iQ500 ED851HWB1E

Induction hob
Black glass

80cm

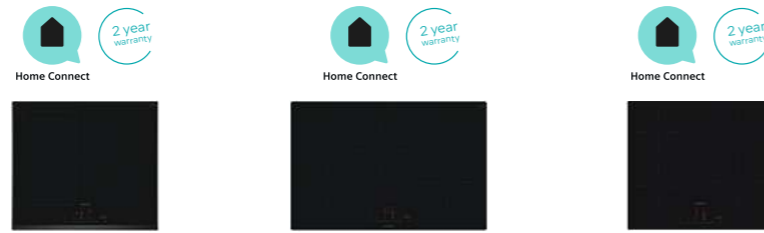


Induction hob specifications

Appliance type	Induction hob	
Design family	iQ500	
Model number	ED851HWB1E	
Design		
Width (mm)	802	
Control position / Control type	Front / touchSlider	
diamondProtect Surface / Matt black surface	- / -	
Style	U-Level	
Domino compatible	-	
Key features		
Home Connect	■	
cookConnect	■	
cookingSensor Plus ready ¹	-	
fryingSensor Plus settings for hob	-	
Intelligent hood automatic	■	
Favourite button	■	
freeInduction zone	-	
Extended flexInduction zone ²	-	
Number of flexInduction zones	-	
Number of combiZones	1	
activeLight	-	
Hob features		
Number of individual zones / Power levels	5 / 17	
powerBoost / powerMove Plus	■ / -	
panBoost	via HC/Favourite Button	
Adaptable volume / Energy consumption display	■ / -	
Keep warm function	via HC/Favourite Button	
quickStart / Quick stop (Quick switch-off)	■ / -	
flexMotion	-	
reStart	■	
Demo mode	■	
Dish categories/setting recommendations	-	
Wipe protection function (Control panel pause)	-	
Plug&Play with GB plug	-	
Safety features		
Residual heat indicator / Pan recognition	■ / ■	
Childproof lock / Safety time switch off	■ / ■	
Pause function	■	
Countdown timer (Timer with automatic switch off for each zone)	■	
Count up timer	-	
Main on/off switch	■	
Performance / Technical information		
Maximum power output (W)	7,400	
Nominal voltage (V)	220-240	
Electrical cable length (cm)	110	
freeInduction zone - power (kW) / dimensions (mm)	-	
Rear left flexInduction zone - power (kW) / dimensions (mm)	-	-
Rear left zone - power (kW) / diameter (mm)	1.60	145
Rear right flexInduction zone - power (kW) / dimensions (mm)	-	-
Rear right zone - power (kW) / diameter (mm)	2.50	190 x 210
Rear centre zone - power (kW) / diameter (mm)	2.50	240
Front centre zone - power (kW) / diameter (mm)	-	-
Front left flexInduction zone - power (kW) / dimensions (mm)	-	-
Front left zone - power (kW) / diameter (mm)	2.00	180
Front right flexInduction zone - power (kW) / dimensions (mm)	-	-
Front right zone - power (kW) / diameter (mm)	2.50	190 x 210
flexInduction zone left - power (kW) / dimensions (mm)	-	-
flexInduction zone right - power (kW) / dimensions (mm)	-	-
Extended flexInduction rear left - power (kW) / dimensions (mm)	-	-
Extended flexInduction rear right - power (kW) / dimensions (mm)	-	-
combiZone left - power (kW) / dimensions (mm)	-	-
combiZone right - power (kW) / dimensions (mm)	3.30	380 x 210
freeInduction zone right - powerBoost (max. kW)	-	
Rear left zone / Rear right zone - with powerBoost (max. kW)	2.20 / 3.70	
Rear centre zone - with powerBoost (max. kW)	3.70	
Front left zone / Front right zone - with powerBoost (max. kW)	3.10 / 3.70	

■ Yes, model has this feature. - Feature not available for this model.
 All models comply with COMMISSION (EC) No. 1275/2008 with regard to ecodesign requirements for standby and off mode electric power consumption.
¹Max 3 sensors at any time. "Ready" identifies products with feature enabled, sensor available as additional purchase. If sensor is supplied, number supplied is detailed.
²On 60cm model, the single centre aux inductor can work only with either the left or right zones. On the 80cm models, there are two aux inductors, one allocated each to the left and right zones. No bridge is possible to use 2 aux zones together.
Data valid in this table as of April 2026. Subject to modification without prior notice.

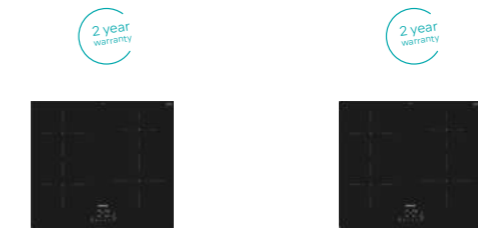
Induction hob specifications



Appliance type	Induction hobs			
Design family	iQ 500		iQ 100	
Model number	ED651HSB1E		EH801HVB1E	
Design				
Width (mm)	592		792	
Control position / Control type	Front / touchSlider		Front / touchSlider	
diamondProtect Surface / Matt black surface	- / -		- / -	
Style	U-Bevel		Flush fit	
Domino compatible	-		-	
Key features				
Home Connect	■		■	
cookConnect	■		■	
cookingSensor Plus ready ¹	-		-	
fryingSensor Plus settings for hob	-		-	
Intelligent hood automatic	■		■	
Favourite button	■		■	
freeInduction zone	-		-	
Extended flexInduction zone ²	-		-	
Number of flexInduction zones	-		-	
Number of combiZones	1		-	
activeLight	-		-	
Hob features				
Number of individual zones / Power levels	4 / 17		5 / 17	
powerBoost / powerMove Plus	■ / -		■ / -	
panBoost	via HC/Favourite Button		via HC/Favourite Button a. sw upd.	
Adaptable volume / Energy consumption display	■ / -		■ / -	
Keep warm function	via HC/Favourite Button		via HC/Favourite Button a. sw upd.	
quickStart / Quick stop (Quick switch-off)	■ / -		■ / -	
flexMotion	-		-	
reStart	■		■	
Demo mode	■		■	
Dish categories/setting recommendations	-		-	
Wipe protection function (Control panel pause)	-		-	
"Plug&Play" with GB plug	-		-	
Safety features				
Residual heat indicator / Pan recognition	■ / ■		■ / ■	
Childproof lock / Safety time switch off	■ / ■		■ / ■	
Pause function	-		-	
Countdown timer (Timer with automatic switch off for each zone)	■		■	
Count up timer	-		-	
Main on/off switch	■		■	
Performance / Technical information				
Maximum power output (W)	6,900		7,400	
Nominal voltage (V)	220-240		220-240	
Electrical cable length (cm)	110		110	
freeInduction zone - power (kW) / dimensions (mm)	-		-	
Rear left flexInduction zone - power (kW) / dimensions (mm)	-		-	
Rear left zone - power (kW) / diameter (mm)	2.50	190 x 210	1.60	145
Rear right flexInduction zone - power (kW) / dimensions (mm)	-		-	
Rear right zone - power (kW) / diameter (mm)	1.60	145	1.60	145
Rear centre zone - power (kW) / diameter (mm)	-		2.50	240
Front centre zone - power (kW) / diameter (mm)	-		-	
Front left flexInduction zone - power (kW) / dimensions (mm)	-		-	
Front left zone - power (kW) / diameter (mm)	2.50	190 x 210	2.00	180
Front right flexInduction zone - power (kW) / dimensions (mm)	-		-	
Front right zone - power (kW) / diameter (mm)	2.00	180	2.50	210
flexInduction zone left - power (kW) / dimensions (mm)	-		-	
flexInduction zone right - power (kW) / dimensions (mm)	-		-	
Extended flexInduction rear left - power (kW) / dimensions (mm)	-		-	
Extended flexInduction rear right - power (kW) / dimensions (mm)	-		-	
combiZone left - power (kW) / dimensions (mm)	3.60	380 x 210	-	
combiZone right - power (kW) / dimensions (mm)	-		-	
freeInduction zone right - powerBoost (max. kW)	-		-	
Rear left zone / Rear right zone - with powerBoost (max. kW)	3.70 / 2.20		2.20 / 2.20	
Rear centre zone - with powerBoost (max. kW)	-		3.70	
Front left zone / Front right zone - with powerBoost (max. kW)	3.70 / 3.10		3.10 / 3.70	

■ Yes, model has this feature. - Feature not available for this model.
 All models comply with COMMISSION (EC) No. 1275/2008 with regard to ecodesign requirements for standby and off mode electric power consumption.
¹Max 3 sensors at any time. "Ready" identifies products with feature enabled, sensor available as additional purchase. If sensor is supplied, number supplied is detailed.
²On 60cm model, the single centre aux inductor can work only with either the left or right zones. On the 80cm models, there are two aux inductors, one allocated each to the left and right zones.
 No bridge is possible to use 2 aux zones together.
 Data valid in this table as of April 2026. Subject to modification without prior notice.

Induction hob specifications



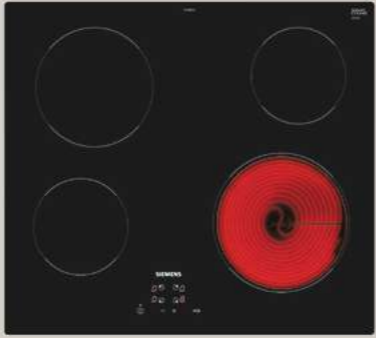
Appliance type	Induction hobs			
Design family	iQ 100		iQ 100	
Model number	EU611BE85E		EU611BE85B	
Design				
Width (mm)	592		592	
Control position / Control type	Front / touchSlider		Front / touchSlider	
diamondProtect Surface / Matt black surface	- / -		- / -	
Style	Frameless		Frameless	
Domino compatible	-		-	
Key features				
Home Connect	-		-	
cookConnect	-		-	
cookingSensor Plus ready ¹	-		-	
fryingSensor Plus settings for hob	-		-	
Intelligent hood automatic	-		-	
Favourite button	-		-	
freeInduction zone	-		-	
Extended flexInduction zone ²	-		-	
Number of flexInduction zones	-		-	
Number of combiZones	-		-	
activeLight	-		-	
Hob features				
Number of individual zones / Power levels	4 / 17		4 / 17	
powerBoost / powerMove Plus	■ / -		■ / -	
panBoost	-		-	
Adaptable volume / Energy consumption display	- / -		- / -	
Keep warm function	-		-	
quickStart / Quick stop (Quick switch-off)	■ / ■		■ / ■	
flexMotion	-		-	
reStart	■		■	
Demo mode	-		-	
Dish categories/setting recommendations	-		-	
Wipe protection function (Control panel pause)	-		-	
"Plug&Play" with GB plug	-		■	
Safety features				
Residual heat indicator / Pan recognition	■ / ■		■ / ■	
Childproof lock / Safety time switch off	■ / ■		■ / ■	
Pause function	-		-	
Countdown timer (Timer with automatic switch off for each zone)	■		■	
Count up timer	-		-	
Main on/off switch	■		■	
Performance / Technical information				
Maximum power output (W)	4,600		3,700	
Nominal voltage (V)	220-240		220-240	
Electrical cable length (cm)	110		110	
freeInduction zone - power (kW) / dimensions (mm)	-		-	
Rear left flexInduction zone - power (kW) / dimensions (mm)	-		-	
Rear left zone - power (kW) / diameter (mm)	1.80	180	1.80	180
Rear right flexInduction zone - power (kW) / dimensions (mm)	-		-	
Rear right zone - power (kW) / diameter (mm)	1.40	145	1.40	145
Rear centre zone - power (kW) / diameter (mm)	-		-	
Front centre zone - power (kW) / diameter (mm)	-		-	
Front left flexInduction zone - power (kW) / dimensions (mm)	-		-	
Front left zone - power (kW) / diameter (mm)	1.80	180	1.80	180
Front right flexInduction zone - power (kW) / dimensions (mm)	-		-	
Front right zone - power (kW) / diameter (mm)	2.20	210	2.20	210
flexInduction zone left - power (kW) / dimensions (mm)	-		-	
flexInduction zone right - power (kW) / dimensions (mm)	-		-	
Extended flexInduction rear left - power (kW) / dimensions (mm)	-		-	
Extended flexInduction rear right - power (kW) / dimensions (mm)	-		-	
combiZone left - power (kW) / dimensions (mm)	-		-	
combiZone right - power (kW) / dimensions (mm)	-		-	
freeInduction zone right - powerBoost (max. kW)	-		-	
Rear left zone / Rear right zone - with powerBoost (max. kW)	3.10 / 2.20		3.10 / 2.20	
Rear centre zone - with powerBoost (max. kW)	-		-	
Front left zone / Front right zone - with powerBoost (max. kW)	3.10 / 3.70		3.10 / 3.70	

■ Yes, model has this feature. - Feature not available for this model.
 All models comply with COMMISSION (EC) No. 1275/2008 with regard to ecodesign requirements for standby and off mode electric power consumption.
¹Max 3 sensors at any time. "Ready" identifies products with feature enabled, sensor available as additional purchase. If sensor is supplied, number supplied is detailed.
²On 60cm model, the single centre aux inductor can work only with either the left or right zones. On the 80cm models, there are two aux inductors, one allocated each to the left and right zones.
 No bridge is possible to use 2 aux zones together.
 Data valid in this table as of April 2026. Subject to modification without prior notice.

quickLite ceramic hob product overview



2 year warranty
A two year warranty is available on all Siemens hobs listed in this brochure to protect against manufacturing and material faults during this warranty period.

Display type	quickLite ceramic hob
	592mm
touchControl	 <p>ET61RBEA1E iQ100 Frameless</p> <ul style="list-style-type: none"> • 4 individual zones • 17 power levels • Front control

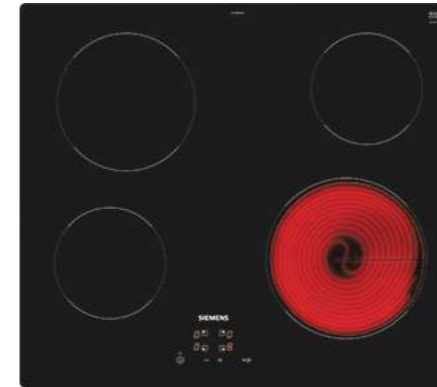
quickLite ceramic hob



iQ100 ET61RBEA1E

Ceramic hob
Black glass

60cm



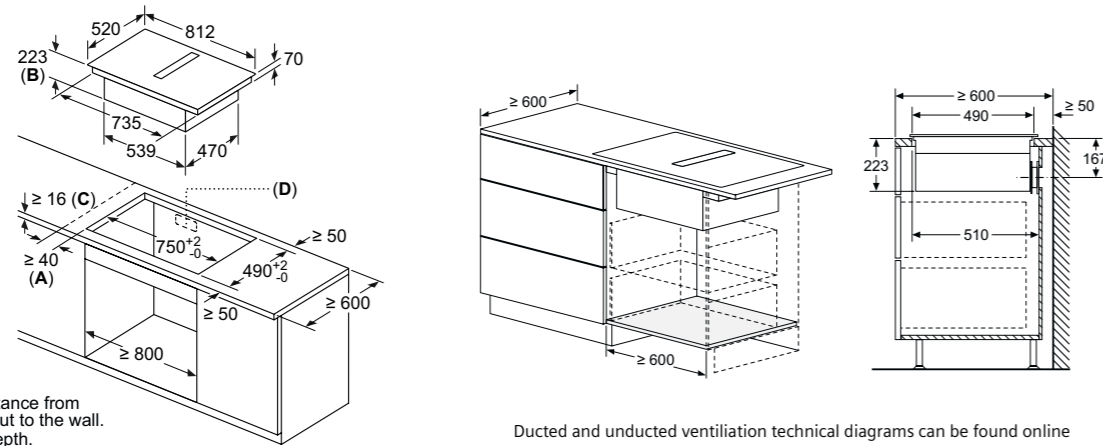
quickLite ceramic hob specifications

quickLite ceramic hob	
Appliance type	quickLite ceramic hob
Design family	iQ100
Model number	ET61RBEA1E
Design	
Width (mm)	592
Control position	Front
Control type	touchControl
Style	Frameless
Key features	
Number of individual zones	4
Number of dual zones	-
Number of extendable zones	-
powerBoost	-
Power levels	17
Digital display	■
Quick Stop (Quick switch-off)	■
Restart function	■
Energy consumption display	-
Demo Mode	■
Keep warm function	-
Plug&Play with GB Plug	-
Wipe protection function	-
Safety features	
Residual heat indicator	■
Childproof lock	■
Timed safety switch off	-
Countdown timer	-
Count up timer	-
Main on/off switch	■
Performance / Technical information	
Maximum power output (W)	6,600
Nominal voltage (V)	220-240
Electrical cable length (cm)	-
Rear left zone – power (kW) / diameter (mm)	2.00 / 180
Rear right zone – power (kW) / diameter (mm)	1.20 / 145
Rear centre zone – power (kW) / diameter (mm)	- / -
Front left zone – power (kW) / diameter (mm)	1.20 / 145
Front right zone – power (kW) / diameter (mm)	2.20 / 210
Rear left zone dual-power – power (kW) / diameter (mm)	- / -
Rear right zone dual-power – power (kW) / diameter (mm)	- / -
Rear centre zone dual-power – power (kW) / diameter (mm)	- / -
Front left zone dual-power – power (kW) / diameter (mm)	- / -
Front right zone dual-power – power (kW) / diameter (mm)	- / -
Optional accessories	
Wireless Meatprobe	HZ32WA00
Cast iron non-stick frying pan	HZ9FE280
Set of three pans	HZ9SE030

■ Yes, model has this feature. – Feature not available for this model.
All models comply with COMMISSION (EC) No. 1275/2008 with regard to ecodesign requirements for standby and off mode electric power consumption.
Data valid in this table as of April 2026. Subject to modification without prior notice.

Hob technical diagrams

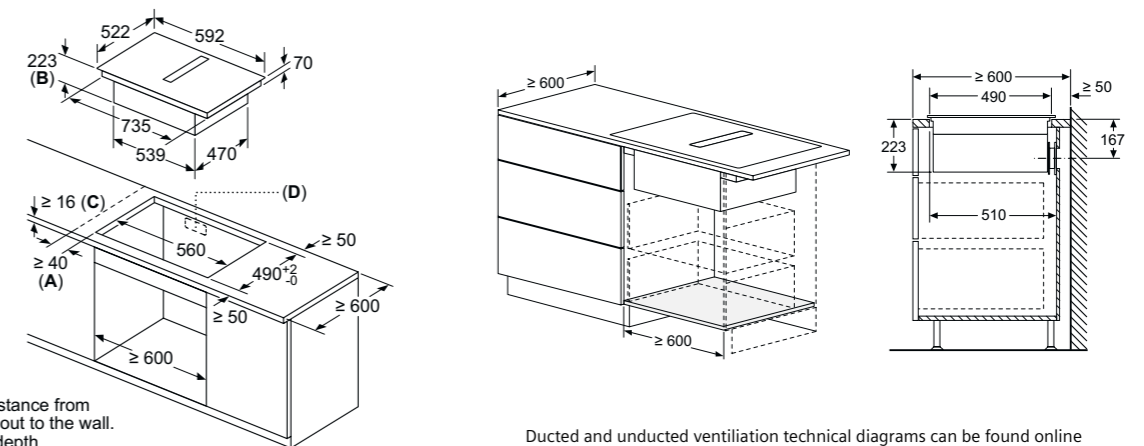
inductionAir Plus venting hobs EX875LX67E



- A:** Minimum distance from the hob cut-out to the wall.
- B:** Recessing depth.
- C:** The worktop into which the hob is installed must withstand loads of approx. 60kg; suitable substructures must be used if required.
- D:** Cut-out in back panel required for pipework. Exact size and position can be taken from specific drawing.

Ducted and unducted ventilation technical diagrams can be found online

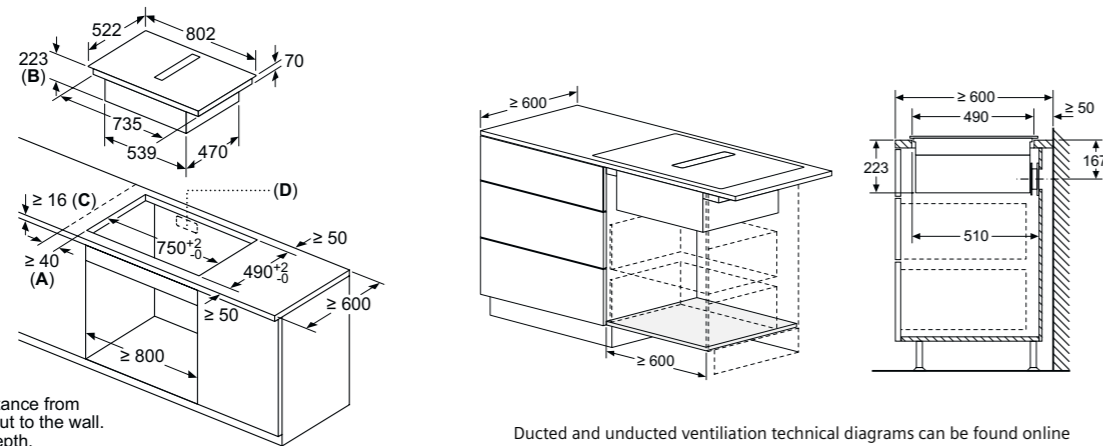
inductionAir Plus venting hob ED611BS16E



- A:** Minimum distance from the hob cut-out to the wall.
- B:** Recessing depth.
- C:** The worktop into which the hob is installed must withstand loads of approx. 60kg; suitable substructures must be used if required.
- D:** Cut-out in back panel required for pipework. Exact size and position can be taken from specific drawing.

Ducted and unducted ventilation technical diagrams can be found online

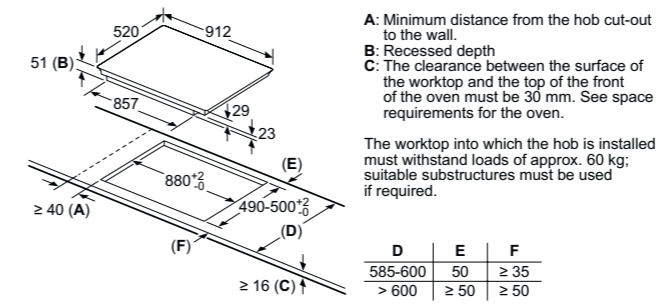
inductionAir Plus venting hobs ED851HQ26E, ED811BS16E and EX81AHL26E



- A:** Minimum distance from the hob cut-out to the wall.
- B:** Recessing depth.
- C:** The worktop into which the hob is installed must withstand loads of approx. 60kg; suitable substructures must be used if required.
- D:** Cut-out in back panel required for pipework. Exact size and position can be taken from specific drawing.

Ducted and unducted ventilation technical diagrams can be found online

flexInduction hobs EX975LVV1E

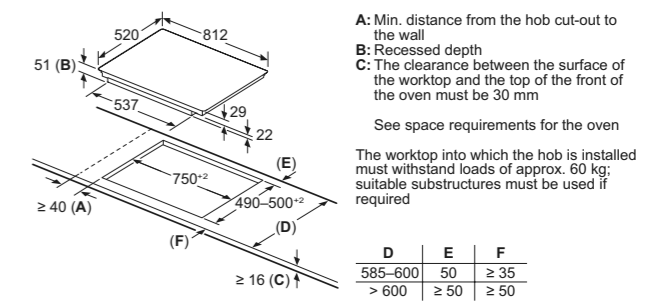


- A:** Minimum distance from the hob cut-out to the wall.
- B:** Recessing depth.
- C:** The clearance between the surface of the worktop and the top of the front of the oven must be 30 mm. See space requirements for the oven.

The worktop into which the hob is installed must withstand loads of approx. 60 kg; suitable substructures must be used if required.

D	E	F
585-600	50	≥ 35
> 600	≥ 50	≥ 50

flexInduction hob EX875LYV1E

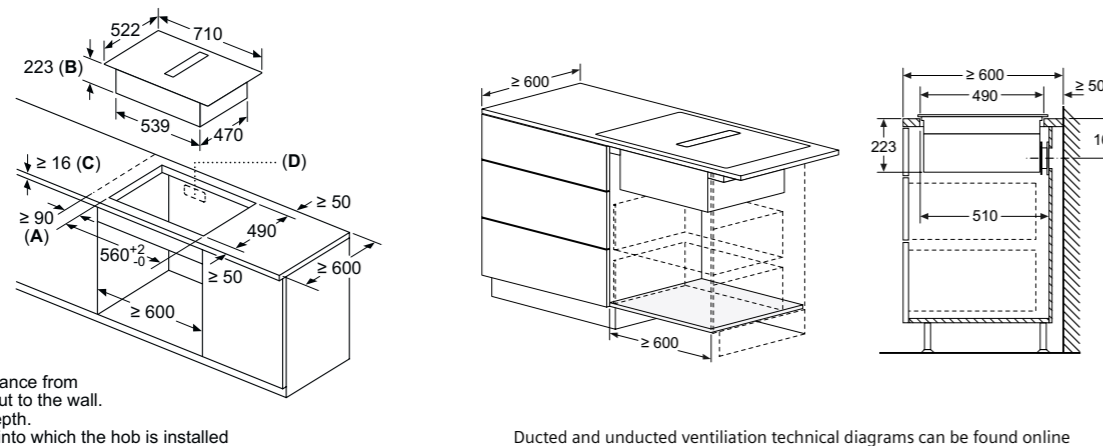


- A:** Min. distance from the hob cut-out to the wall
- B:** Recessing depth
- C:** The clearance between the surface of the worktop and the top of the front of the oven must be 30 mm

See space requirements for the oven
The worktop into which the hob is installed must withstand loads of approx. 60 kg; suitable substructures must be used if required

D	E	F
585-600	50	≥ 35
> 600	≥ 50	≥ 50

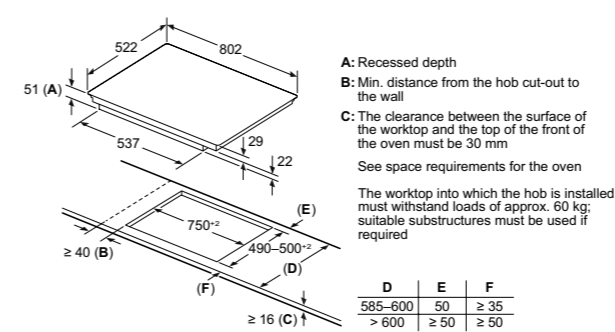
inductionAir Plus venting hob ED711HQ26E



- A:** Minimum distance from the hob cut-out to the wall.
- B:** Recessing depth.
- C:** The worktop into which the hob is installed must withstand loads of approx. 60kg; suitable substructures must be used if required.
- D:** Cut-out in back panel required for pipework. Exact size and position can be taken from specific drawing.

Ducted and unducted ventilation technical diagrams can be found online

flexInduction hobs EX81AHYC1E

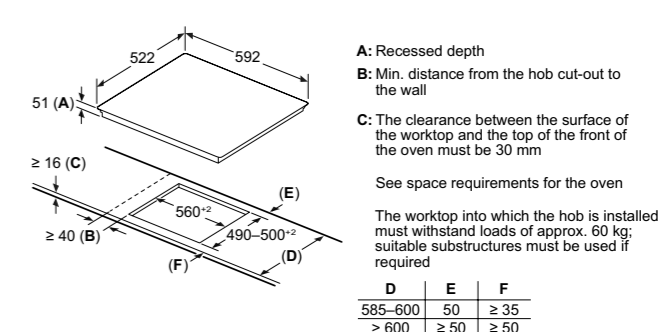


- A:** Recessing depth
- B:** Min. distance from the hob cut-out to the wall
- C:** The clearance between the surface of the worktop and the top of the front of the oven must be 30 mm

See space requirements for the oven
The worktop into which the hob is installed must withstand loads of approx. 60 kg; suitable substructures must be used if required

D	E	F
585-600	50	≥ 35
> 600	≥ 50	≥ 50

flexInduction hobs EX61AHYC1E



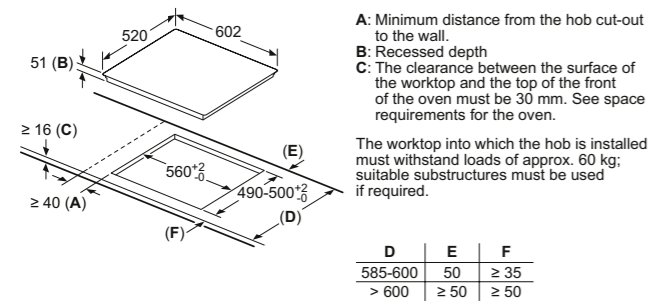
- A:** Recessing depth
- B:** Min. distance from the hob cut-out to the wall
- C:** The clearance between the surface of the worktop and the top of the front of the oven must be 30 mm

See space requirements for the oven
The worktop into which the hob is installed must withstand loads of approx. 60 kg; suitable substructures must be used if required

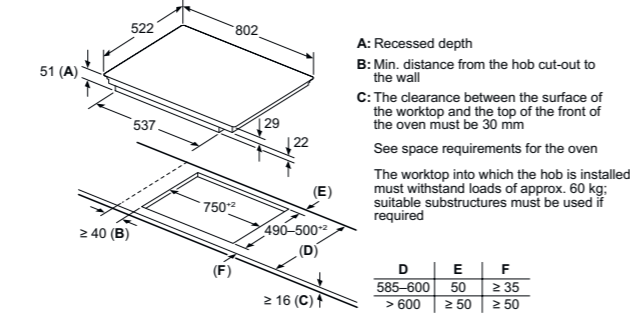
D	E	F
585-600	50	≥ 35
> 600	≥ 50	≥ 50

Hob technical diagrams

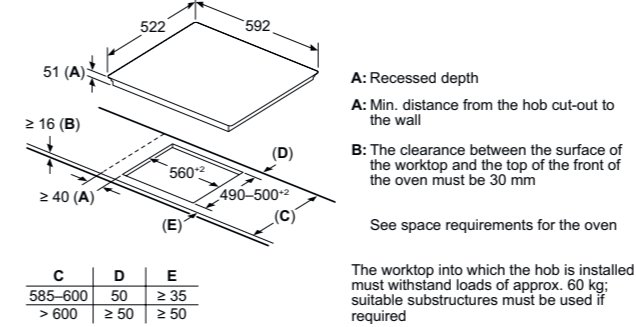
flexInduction hobs EX675HXC1E



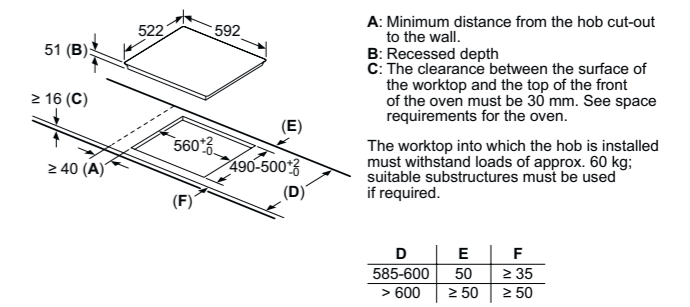
flexInduction hob EX851HVC1E



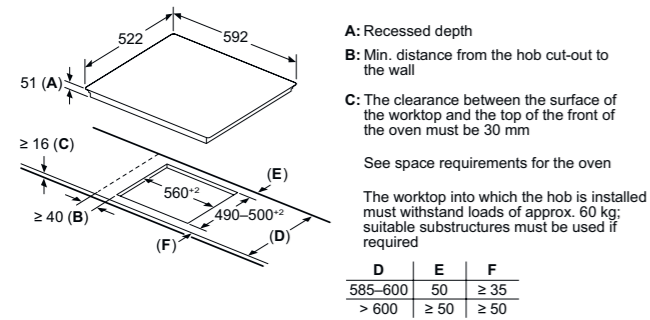
Induction hobs ED651HSB1E



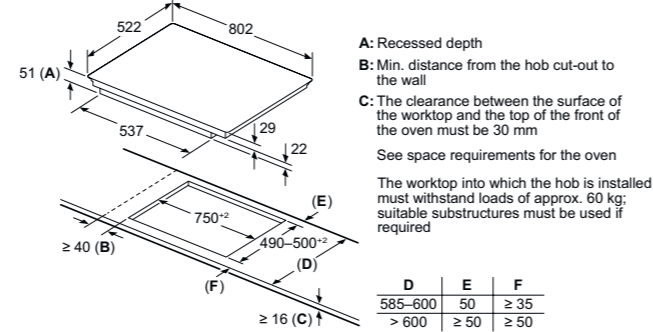
Induction hobs EU611BEB5E and EU611BEB5B



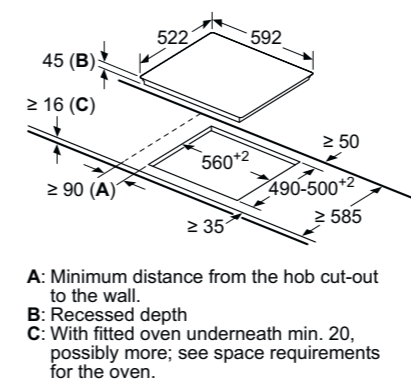
flexInduction hobs EX651HEC1E



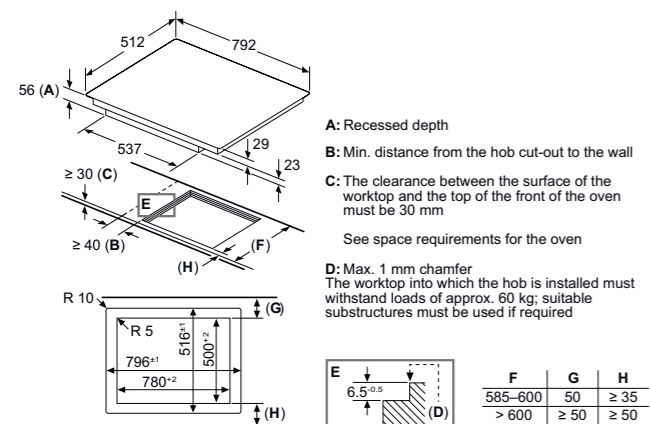
Induction hobs ED851HWB1E



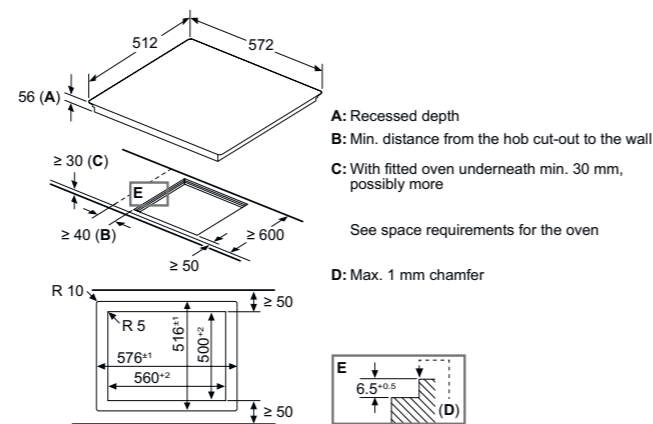
quickLite hob ET61RBEA1E



Induction hob EH801HVB1E



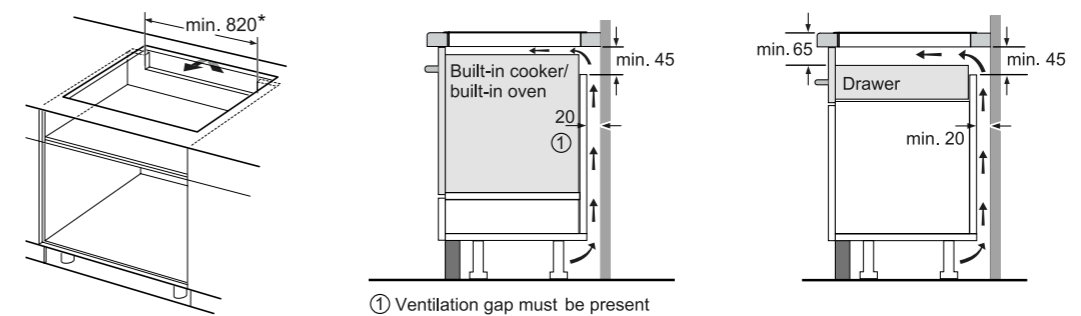
Induction hob EH601HEB1E



For all flexInduction, induction and quickLite ceramic hobs

Below are diagrams for installation applicable to all flexInduction, induction and quickLite ceramic hobs

*dimension varies according to model example show for a 90cm hob. Please refer to the line drawing of the particular model for exact specification.





Step up your gas game

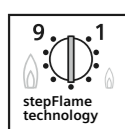
Model shown:
ER9A6SH40
stepFlame gas hob

High performance, high speed.

Say hello to the next generation of gas hobs – designed for this generation of flame-cooking perfectionists. With nine precise heat levels, intelligent connectivity features (iQ700 ER9A6SH40 only), and a sleek, modern design, the new Siemens intelligent gas hobs represents the perfect fusion of tradition and innovation.

Unrivalled precision, from simmer to sizzle

Whether simmering a delicate sauce or searing a steak, our intelligent gas hobs deliver the precision needed to achieve excellent results, every single time. The patented stepFlame Technology ensures a consistent flame size adaption across nine distinct levels to perfectly tailor the heat to any cooking task. Illuminated dials and a digital display clearly indicates the selected heat level as well as residual heat – no more guessing or bending down to check the flame size.

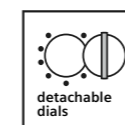


stepFlame technology:
gas cooking without the guessing
Nine incremental and precise flame settings to choose from for outstanding precision.



Easy clean up.

Cleaning up is also quick and easy thanks to the tempered glass surface and detachable metallic sword dials, which can simply be removed to wipe the hob surface. The semi-continuous cast iron pan supports are also dishwasher suitable and sized to fit comfortably in the dishwasher loading zone.



Detachable sword dials for ultimate convenience
For quick and easy clean up with no hard to reach areas.



Dishwasher safe pan supports
Our light and durable semi-continuous cast iron pan supports, combine excellent pan stability with easy cleaning as they can be placed in the dishwasher.



Designed for modern living.

The iQ700 gas hob expertly balances flame cooking with modern precision, the hallmark of every Siemens home appliance. The digital display, together with the soft blue glow of the LED-illuminated dials, provides a stylish and functional accent to the sleek black tempered glass surface.

Intelligently connected.

The iQ700 gas hob includes hob-hood connectivity features that make cooking more seamless and intuitive. For example, the hood turns on automatically when the hob is activated, and the hood's light and power level can easily be adjusted.

For added peace of mind, the status of the hob can be checked on from anywhere via the Siemens Home Appliance App.



Intelligent hood automatic:
intelligently connected for ultimate control
The hood adjusts its fan level to match the size of the flames.



cookConnect system:
control your hood from your hob
The power and lighting levels of the hood can be adjusted on the hob or via Siemens Home Appliances App.






Siemens Home Connect:
app-enabled convenience
The hob can be monitored remotely via a smartphone or tablet.

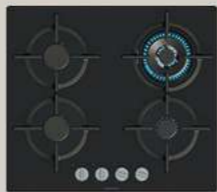




Gas hobs product overview



2 year warranty
A two year warranty is available on all Siemens hobs listed in this brochure to protect against manufacturing and material faults during this warranty period.

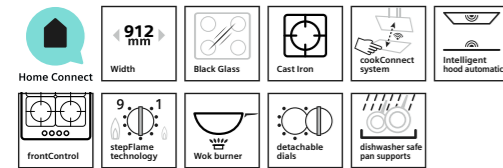
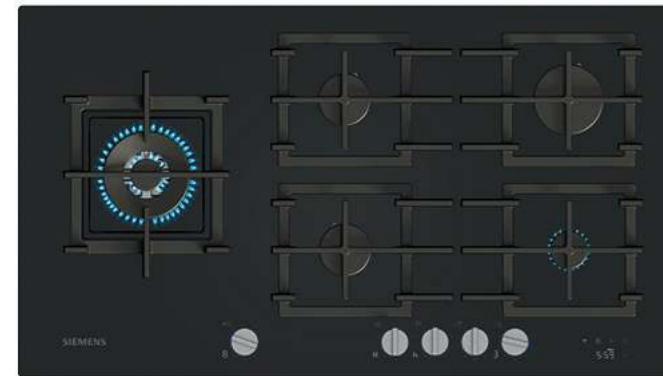
Design	Gas hob	Gas hob	Gas hob
	915mm	915mm	752mm
Tempered glass	 <p>ER9A6SH40 iQ700 Control dial: Front, Black</p> <ul style="list-style-type: none"> • cookConnect • Intelligent hood automatic • 5 cooking zones • 9 individual power levels • stepFlame technology • 1 dual circuit wok style burner • Illuminated detachable dials *Flush installation with worktop possible 	 <p>EP9A6MI40 iQ500 Control dial: Front, Black</p> <ul style="list-style-type: none"> • 5 cooking zones • 9 individual power levels • stepFlame technology • 1 dual circuit wok style burner • Detachable dials *Flush installation with worktop possible 	 <p>EP7A6QI40 iQ500 Control dial: Front, Black</p> <ul style="list-style-type: none"> • 5 cooking zones • 9 individual power levels • stepFlame technology • 1 dual circuit wok style burner • Detachable dials *Flush installation with worktop possible
Ceramic glass			

Gas hob	Domino gas hob	Domino gas hob
590mm	302mm	302mm
 <p>EP6A6HI10 iQ500 Control dial: Front, Black</p> <ul style="list-style-type: none"> • 4 cooking zones • 9 individual power levels • stepFlame technology • Detachable dials *Flush installation with worktop possible 		
	 <p>iQ700 ER3A6AI10 Control dial: Front, Black</p> <ul style="list-style-type: none"> • 1 cooking zone • 9 individual power levels • stepFlame technology • Dual control wok burner 	 <p>iQ700 ER3A6BI40 Control dial: Front, Black</p> <ul style="list-style-type: none"> • 2 cooking zones • 9 individual power levels • stepFlame technology

Gas hobs

iQ700 ER9A6SH40

Gas hob
Tempered glass
90cm



Gas hob specifications

Appliance type		Gas hob
Design family	iQ700	
Model number	ER9A6SH40	
Black	■	
Design		
Hob surface type	Tempered glass	
Width (mm)	915	
Control dial position	Front	
Dial type	Illuminated detachable metallic	
Control type	Touch Control (7-segment display)	
Installation flush with work top possible	■	
Key features		
stepFlame Technology controls	■	
Digital power level display	■	
Number of dual circuit wok style burners ¹	1	
High power (5.0kW+) wok burner ²	■	
Dual control wok burner ³	■	
Features		
Number of cooking zones	5	
Individual power levels	9	
Cast iron pan supports (number)	3	
Dishwasher safe pan supports ⁴	■	
Two piece burners	■	
Home Connect	■	
cookConnect system	■	
Intelligent Hood Automatic	■	
Count-down Timer	■	
Safety features		
Ignition via control dials	■	
Flame failure safety device	■	
Performance / Technical information		
Maximum gas power output load (A)	13,700	
Nominal voltage (V)	220-240	
Total connected electrical load (max. W)	2.0	
Cable length (cm)	100	
GB plug	-	
Left burner power (kW)	5.00	
Front left burner power (kW)	-	
Rear left burner power (kW)	-	
Centre/Centre front burner power (kW)	1.75	
Centre back burner power (kW)	1.75	
Rear right burner power (kW)	3.00	
Front right burner power (kW)	1.00	
Right burner power (kW)	-	
Pre-set for natural gas	■	
CE Marked	■	
Standard accessory		
LPG jets	28-30 / 37mbar	
Optional accessory		
Wireless Meatprobe	HZ32WA00	

■ Yes, model has this feature. – Feature not available for this model.
All models comply with COMMISSION (EC) No. 1275/2008 with regard to ecodesign requirements for standby and off mode electric power consumption.

¹Dual circuit means standard outer flame ring plus 2nd inner flame ring.
²High power output for rapid heating – especially valuable for flash and wok frying.
³Dual control means the inner and outer rings of a dual circuit burner can be controlled independently.
⁴Pan supports can be cleaned in the dishwasher. Supports have special additional coating and hand finishing of enamel.

Data valid in this table as of April 2026. Subject to modification without prior notice.

Gas hob specifications



Appliance type		Gas hobs		
Design family	iQ500	iQ500	iQ500	
Model number	EP9A6MI40	EP7A6QI40	EP6A6HI10	
Black	■	■	■	
Design				
Hob surface type	Tempered glass	Tempered glass	Tempered glass	
Width (mm)	915	752	590	
Control dial position	Front	Front	Front	
Dial type	Detachable metallic	Detachable metallic	Detachable metallic	
Control type	-	-	-	
Installation flush with work top possible	■	■	■	
Key features				
stepFlame Technology controls	■	■	■	
Digital power level display	-	-	-	
Number of dual circuit wok style burners ¹	1	1	-	
High power (5.0kW+) wok burner ²	-	-	-	
Dual control wok burner ³	■	■	■	
Features				
Number of cooking zones	5	5	4	
Individual power levels	9	9	9	
Cast iron pan supports (number)	5	5	4	
Dishwasher safe pan supports ⁴	■	■	■	
Two piece burners	■	■	■	
Home Connect	-	-	-	
cookConnect system	-	-	-	
Intelligent Hood Automatic	-	-	-	
Count-down Timer	-	-	-	
Safety features				
Ignition via control dials	■	■	■	
Flame failure safety device	■	■	■	
Performance / Technical information				
Maximum gas power output load (A)	11,500	11,500	8,000	
Nominal voltage (V)	220-240	220-240	220-240	
Total connected electrical load (max. W)	1.1	1.1	1.1	
Cable length (cm)	100	100	100	
GB plug	-	-	-	
Left burner power (kW)	4.00	-	-	
Front left burner power (kW)	-	1.00	1.75	
Rear left burner power (kW)	-	1.75	1.75	
Centre/Centre front burner power (kW)	1.00	4.00	-	
Centre back burner power (kW)	1.75	-	-	
Rear right burner power (kW)	3.00	3.00	3.50	
Front right burner power (kW)	1.75	1.75	1.00	
Right burner power (kW)	-	-	-	
Pre-set for natural gas	■	■	■	
CE Marked	■	■	■	
Standard accessory				
LPG jets	28-30 / 37mbar	28-30 / 37mbar	28-30 / 37mbar	
Optional accessory				
Wireless Meatprobe	HZ32WA00	HZ32WA00	HZ32WA00	

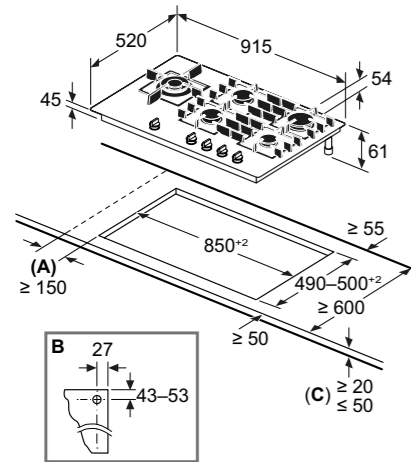
■ Yes, model has this feature. – Feature not available for this model.
All models comply with COMMISSION (EC) No. 1275/2008 with regard to ecodesign requirements for standby and off mode electric power consumption.

¹Dual circuit means standard outer flame ring plus 2nd inner flame ring.
²High power output for rapid heating – especially valuable for flash and wok frying.
³Dual control means the inner and outer rings of a dual circuit burner can be controlled independently.
⁴Pan supports can be cleaned in the dishwasher. Supports have special additional coating and hand finishing of enamel.

Data valid in this table as of April 2026. Subject to modification without prior notice.

Hob technical diagrams

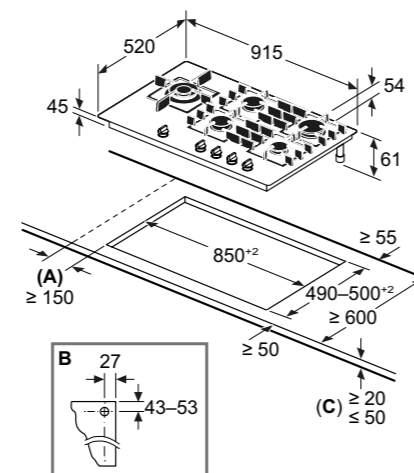
Gas hob ER9A6SH40



- A:** Min. distance from the hob cut-out to the wall
- B:** Position of gas connection in the cut-out
- C:** With fitted oven underneath possibly more; see space requirements for the oven

For worktop thickness between 12 mm to 20 mm need additional spacer, contact customer service for details

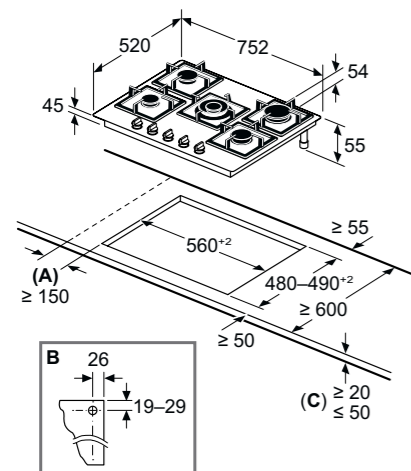
Gas hob EP9A6MI40



- A:** Min. distance from the hob cut-out to the wall
- B:** Position of gas connection in the cut-out
- C:** With fitted oven underneath possibly more; see space requirements for the oven

For worktop thickness between 12 mm to 20 mm need additional spacer, contact customer service for details

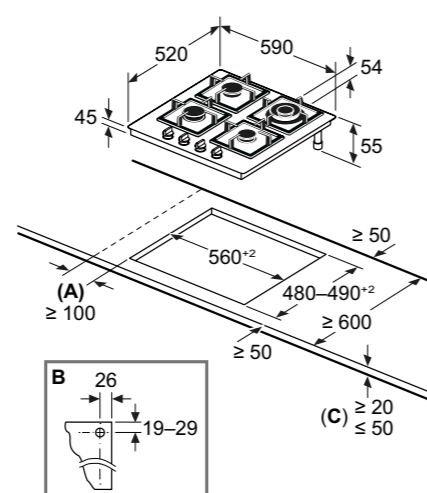
Gas hob EP7A6QI40



- A:** Min. distance from the hob cut-out to the wall
- B:** Position of gas connection in the cut-out
- C:** With fitted oven underneath possibly more; see space requirements for the oven

For worktop thickness between 12 mm to 20 mm need additional spacer, contact customer service for details

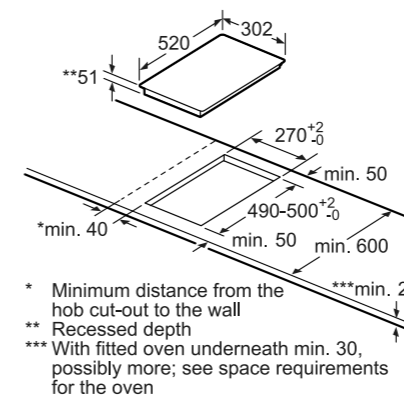
Gas hob EP6A6HI10



- A:** Min. distance from the hob cut-out to the wall
- B:** Position of gas connection in the cut-out
- C:** With fitted oven underneath possibly more; see space requirements for the oven

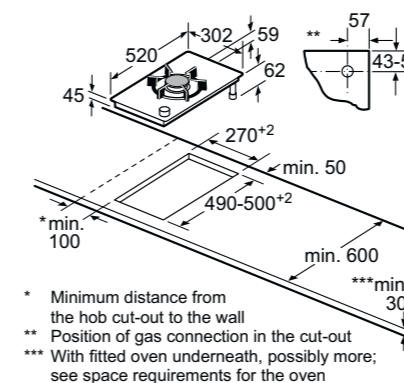
For worktop thickness between 12 mm to 20 mm need additional spacer, contact customer service for details

flexInduction domino hob EX375FXB1E



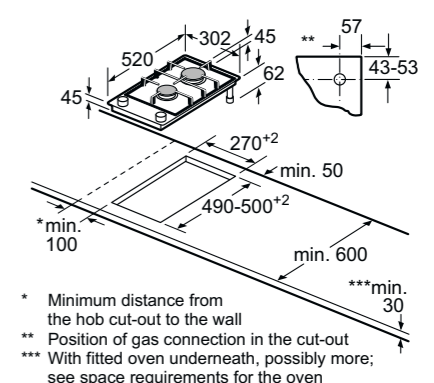
- * Minimum distance from the hob cut-out to the wall
- ** Recessed depth
- *** With fitted oven underneath min. 30, possibly more; see space requirements for the oven

Wok domino gas hob ER3A6AI10



- * Minimum distance from the hob cut-out to the wall
- ** Position of gas connection in the cut-out
- *** With fitted oven underneath, possibly more; see space requirements for the oven

Domino gas hob ER3A6BI40



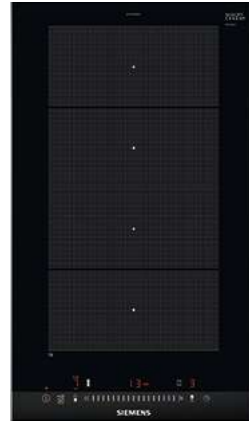
- * Minimum distance from the hob cut-out to the wall
- ** Position of gas connection in the cut-out
- *** With fitted oven underneath, possibly more; see space requirements for the oven

Domino hobs

iQ700 EX375FXB1E

flexInduction domino hob
Ceramic glass

40cm



Domino flexInduction hob specifications

Appliance type	flexInduction domino hob	
Design family	iQ700	
Model number	EX375FXB1E	
Design		
Hob surface type	Ceramic glass	
Width (mm)	302	
Control position	Front	
Control type	touchSlider	
Style	Stainless steel side trim with front bevel	
Key features		
Home Connect	-	
Hob hood control	-	
perfectCook temperature sensor ready	-	
perfectFry Sensor settings	-	
Extended flexInduction zone	-	
Number of flexInduction zones	1	
Number of combiZones	-	
Hob features		
Number of individual zones	2	
Power Levels	17	
powerBoost	■	
panBoost	-	
MoveMode	-	
Energy consumption display	■	
Keep warm function	-	
Quick start function	■	
Restart function	■	
Automatic setting transfer	-	
Dish categories	-	
Plug&Play with GB Plug	-	
Wipe protection function	■	
Safety features		
Residual heat indicator	■	
Childproof lock	■	
Switch off timer	■	
Safety time switch off	■	
Countdown timer	■	
Count up timer	■	
Pan recognition	■	
Main on/off switch	■	
Performance / Technical information		
Maximum power output (W)	3,700	
Nominal voltage (V)	220-240	
Electrical cable length (cm)	110	
Rear centre zone – power (kW) / diameter (mm)	2.20	210 x 200
Front centre zone – power (kW) / diameter (mm)	2.20	210 x 200
Middle centre zone – power (kW) / diameter (mm)	-	
Rear centre zone – with powerBoost (max. kW)	3.70	
Front centre zone – with powerBoost (max. kW)	3.70	
Middle centre zone - with powerBoost (max. kW)	-	
Optional accessories		
Wireless Meatprobe	HZ32WA00	
Connecting link for use with side trim hobs	HEZ394301	
Set of three pans	HZ95E030	
Four piece pan set	HZ95E040	
Six piece pan set	HZ95E060	
Cast Iron non-stick frying pan, base diameter 185mm	HZ9FE281	
Griddle plate, approx. 40x20 cm for use with Flex Induction	HZ390522	
Teppan yaki, approx. 40x20 cm for use with Flex Induction	HZ390512	
Oval roasting dish with lid for use with induction hobs	HZ390011	
Steamer insert for use with HZ390011 roasting dish	HZ390012	

■ Yes, model has this feature. – Feature not available for this model.
 All models comply with COMMISSION (EC) No. 1275/2008 with regard to ecodesign requirements for standby and off mode electric power consumption.
¹Dual circuit means standard outer flame ring plus 2nd inner flame ring.
²High power output for rapid heating – especially valuable for flash and wok frying.
³Dual control means the inner and outer rings of a dual circuit burner can be controlled independently.
⁴Pan supports can be cleaned in the dishwasher. Supports have special additional coating and hand finishing of enamel.
⁵For round based pans.
Data valid in this table as of April 2026. Subject to modification without prior notice.

Domino gas hob specifications



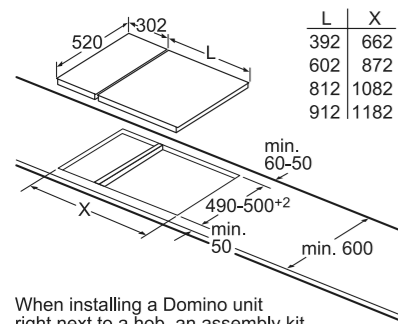
Appliance type	Wok domino gas hob	Domino gas hob
Design family	iQ700	iQ700
Model number	ER3A6A110	ER3A6B140
	Stainless steel	-
	Black	■
	White	-
Design		
Width (mm)	302	302
Control position	Front	Front
Dial type	Detachable metallic	Detachable metallic
Key features		
stepFlame Technology controls	■	■
Digital power level display	-	-
Number of dual circuit wok style burners ¹	1	-
High power (5.0kW+) wok burner ²	■	-
Dual control wok burner ³	■	-
Hob surface type	Ceramic glass	Ceramic glass
Features		
Number of cooking zones	1	2
Individual power levels	9	9
Cast iron pan supports (number)	1 x dishwasher safe	1 x dishwasher safe
Low profile single piece burners	■	-
Two piece burners	-	■
Comfort Profile	■	■
Can be combined with other models with Comfort Profile	■	■
Installation flush with work top possible	-	-
Safety features		
Ignition via control dials	■	■
Flame failure safety device	■	■
Performance / Technical information		
Maximum gas power output load (W)	6,100	4,750
Nominal voltage (V)	220-240	220-240
Total connected electrical load (max. W)	1.1	1.1
Cable length (cm)	100	100
GB plug	-	-
Left burner power (kW)	-	-
Front left burner power (kW)	-	-
Back left burner power (kW)	-	-
Centre/Centre front burner power (kW)	6.00	1.75
Centre back burner power (kW)	-	3.00
Front right burner power (kW)	-	-
Back right burner power (kW)	-	-
Right burner power (kW)	-	-
Pre-set for natural gas	■	■
CE Marked	■	■
standard accessories		
Wok stand ⁵	■	-
LPG jets	28-30 / 37mbar	28-30 / 37mbar
Optional accessories		
Wireless Meatprobe	HZ32WA00	HZ32WA00
Connecting strip to link to other Comfort Profile models	HZ394301	HZ394301

■ Yes, model has this feature. – Feature not available for this model.
 All models comply with COMMISSION (EC) No. 1275/2008 with regard to ecodesign requirements for standby and off mode electric power consumption.
¹Dual circuit means standard outer flame ring plus 2nd inner flame ring.
²High power output for rapid heating – especially valuable for flash and wok frying.
³Dual control means the inner and outer rings of a dual circuit burner can be controlled independently.
⁴Pan supports can be cleaned in the dishwasher. Supports have special additional coating and hand finishing of enamel.
⁵For round based pans.
Data valid in this table as of April 2026. Subject to modification without prior notice.

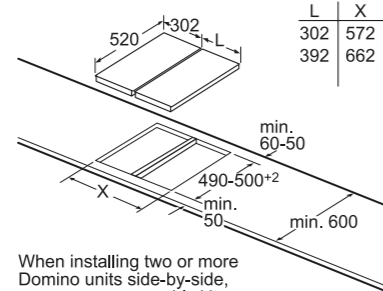
Hob technical diagrams

Domino hob combination installation

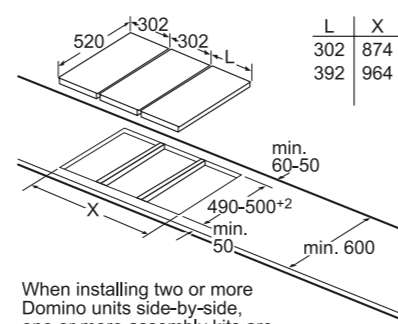
Below are diagrams showing the possible combinations for installing your Domino hob



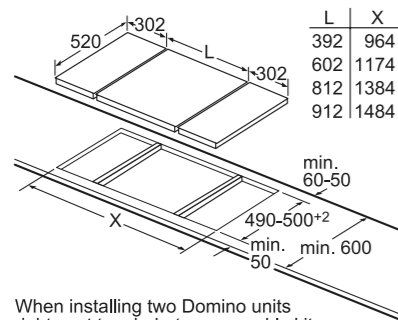
When installing a Domino unit right next to a hob, an assembly kit (HZ394301) is required.



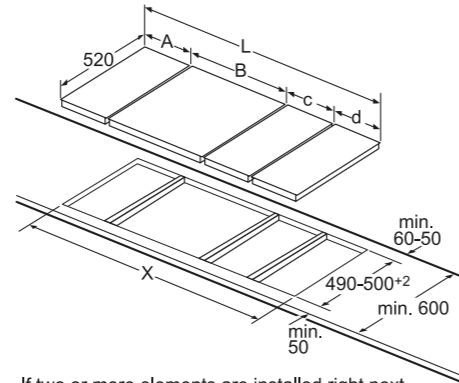
When installing two or more Domino units side-by-side, one or more assembly kits are required (2 units = 1 assembly kit, 3 units = 2 assembly kits, etc).



When installing two or more Domino units side-by-side, one or more assembly kits are required (2 units = 1 assembly kit, 3 units = 2 assembly kits, etc).



When installing two Domino units right next to a hob, two assembly kits (HZ394301) are required.



If two or more elements are installed right next to one another, one or several installation kits are required (2 elements 1 installation kit, 3 elements 2 installation kits, etc.).

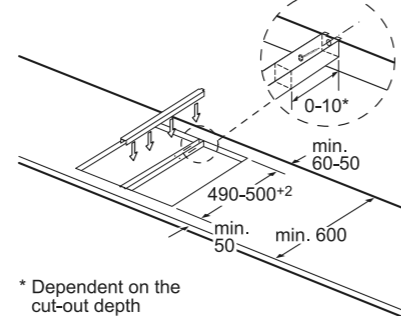
Cutout dimension (X) depending on the combination see table:

Domino combination possibilities with corresponding device and cutout dimensions

Width type: 30 40 60 70 80 90
Device width: 302 392 602 710 812 912

	A	B	C	D	L	X
2x30	302	302	-	-	604	572
1x30, 1x40	302	392	-	-	694	662
1x30, 1x60	302	602	-	-	904	872
1x30, 1x70	302	710	-	-	1012	980
1x30, 1x80	302	812	-	-	1114	1082
1x30, 1x90	302	912	-	-	1214	1182
2x40	392	392	-	-	784	752
1x40, 1x60	392	602	-	-	994	962
1x40, 1x70	392	710	-	-	1102	1070
1x40, 1x80	392	812	-	-	1204	1172
1x40, 1x90	392	912	-	-	1304	1272
3x30	302	302	302	-	906	874
2x30, 1x40	302	302	392	-	996	964
2x30, 1x60	302	302	602	-	1206	1174
2x30, 1x70	302	302	710	-	1314	1282
2x30, 1x80	302	302	812	-	1416	1384
2x30, 1x90	302	302	912	-	1516	1484
1x30, 2x40	302	392	392	-	1086	1054
1x30, 1x40, 1x60	302	392	602	-	1296	1264
1x30, 1x40, 1x70	302	392	710	-	1404	1372
1x30, 1x40, 1x80	302	392	812	-	1506	1474
1x30, 1x40, 1x90	302	392	912	-	1606	1574
3x40	392	392	392	-	1176	1144
2x40, 1x60	392	392	602	-	1386	1354
4x30	302	302	302	302	1208	1176
3x30, 1x40	302	302	302	392	1298	1266
2x30, 2x40	302	302	392	392	1388	1356
1x30, 3x40	302	392	392	392	1478	1446

Assembly kit (HZ394301) for Domino



* Dependent on the cut-out depth

Outstanding performance, intelligently designed

The kitchen is the heart of the home. Not only is it a place to cook, it is also a place to entertain, relax after a hard day's work, or spend time with friends and family.

Our range of hoods offer sleek designs and innovative features to elevate the kitchen. From ceiling hoods to glassdraftAir hoods, we have stylish options to suit any taste. The quiet and energy efficient motors, available on some Siemens hoods create a comfortable cooking environment.

The connectivity and automation in Siemens hoods create a truly effortless and perfectly managed kitchen environment where peak performance is achieved seamlessly. Intelligent features, like the climateControl Sensor, automatically adjust extraction power in real-time to match cooking conditions. This ensures optimal air quality and energy efficiency without ever needing to touch a button.

Siemens hoods keep the kitchen space fresh, and air cleaner whilst also providing ambient lighting. Browse through intelligent ventilation solutions for all kitchen designs. Our venting hobs with inductionAir Plus combines an advanced induction hob with a high-performance extractor for even clearer views in the kitchen. See the hobs section for details on the inductionAir Plus (pages 94-95).

With Siemens hoods, there is no need to compromise: delivering clean air and peak performance, together with acoustic comfort.

Siemens hood warranties:



2 year warranty

A two year warranty is available on all Siemens hoods listed in this brochure to protect against manufacturing and material faults during this warranty period.



A+

Model shown: LC91KLT60B
angled hood

S
P
O
O
T

To find out more about warranty and for registration, please visit:
UK: siemens-home.bsh-group.com/uk/customer-service/siemens-warranties
IE: siemens-home.bsh-group.com/ie/customer-service/warranty

Installation solutions for every kitchen

Worktop installation.

glassdraftAir and inductionAir Plus ventilation.



A G A
LD98WMM60B glassdraftAir hood with EX975LVV1E flexInduction hob

The perfect solution for keeping kitchen designs clear and with unhindered sightlines. The stylish glassdraftAir premium glass panel retracts fully into the unit when not in use. When in operation, its unique transparent design adds a subtle highlight to the kitchen, while its innovative Guided Air technology guarantees excellent performance from all cooking zones.

For seamless installation combine the LD98WMM60B glassDraft Air with the EX975LVV1E flexInduction hob using the LZ29WWY12 seamless installation kit.



The perfect combination of innovation and functionality. These appliances offer double the efficiency and convenience by integrating a cooktop and ventilation system into one product. Ideal for kitchens with limited space or for customers seeking a clean and unique look.



ED851HQ26E inductionAir Plus venting hob

Wall installation.

Decorative angled glass and chimney hoods.



A G A
LC97BDN60B box chimney hood

Experience the beauty and effectiveness of Siemens' wall-mounted ventilation solutions. Our designs are not only stylish but also highly effective with a host of intelligent features. Want a ventilation solution that combines classic and contemporary elements? Explore our traditional chimney hoods.



A+
LC91KLT60B angled glass chimney hood

Integrated furniture installation.

Integrated, telescopic and canopy hoods.

Need to seamlessly integrate the hood into wall-mounted kitchen units? We offer a variety of options specifically designed for mounting inside a cupboard space. These concealed hoods are the perfect choice for achieving a sleek and modern kitchen design.



A G A
LB87NAC60B canopy hood



A+
LJ98BET60B integrated design hood



A G A
LJ94MA531B telescopic hood



A+
Model shown: LC87KFN60B angled glass chimney hood

Ducting plays a crucial role in the installation of a cooker hood as it ensures:

Efficient airflow: proper ducting allows for efficient airflow, maximising the hood's performance. It ensures that the contaminated air is effectively removed from the kitchen, maintaining a fresh and clean environment.

Odour control: ducting is vital in removing cooking odours from the kitchen and venting them outside. This prevents lingering smells and helps maintain a pleasant atmosphere in the living space.

Smoke and grease removal: effective ducting helps eliminate smoke and grease particles generated during cooking. Venting these pollutants outdoors prevents them from settling on kitchen surfaces and potentially causing damage or health hazards.

Taking the following considerations into account when installing a hood and ducting system ensures optimal performance, improved air quality, and a comfortable kitchen environment:

a. Size and length: the duct size should match the hood's specifications to ensure proper airflow. In order to ensure optimal performance, we recommend a maximum of 5 metres of ducting, with this being reduced by a metre for each bend in the ducting system.

b. Material: use high-quality, non-combustible materials for ducting to ensure safety. Aluminium and galvanised steel are commonly used materials that are durable and resistant to grease build-up.

c. Routing and placement: plan the route of the ductwork carefully to minimise bends and restrictions that can impede airflow. Avoid routing ducts through insulation, ceiling joists, or other obstructive areas that may cause energy loss.

d. Exhaust outlet location: the duct should terminate outdoors, away from windows and entrances, to prevent re-entry of expelled air. Consider local building codes and regulations regarding exhaust outlet placement.



Hood installation options

Hood positioning.

When considering the height positioning of the cooker hood, safety and efficiency are paramount factors to consider. Setting the hood at the appropriate height ensures optimal performance and safeguards the kitchen. Clearance distances vary dependent on two things:

The type of hood – different styles of hoods can have different clearance distances – for example, some of our Siemens hoods only need a clearance of 430mm above an induction hob, whilst others require a clearance of 550mm.

The type of hob – clearance distances for installation above gas hobs are generally larger than for electric hobs due to more heat being created, thus increasing safety risks.

We always recommend that you refer to the installation manual of your specific model to make sure the correct clearance distance is being adhered to.

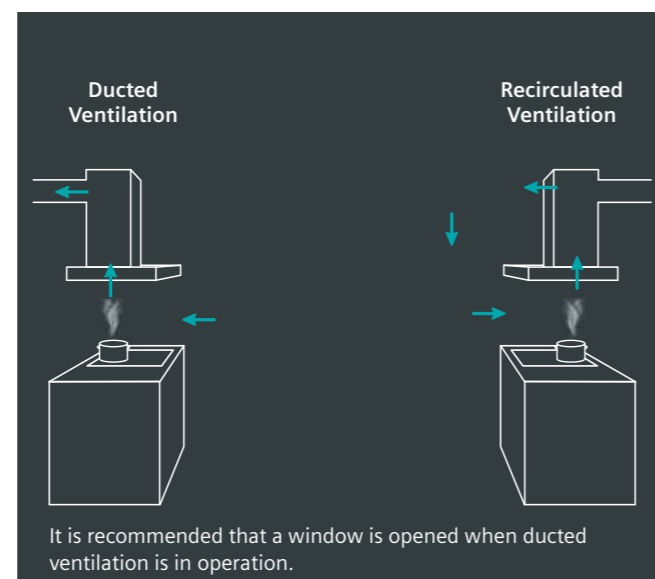
Ducted or recirculated?

For optimum performance, the extractor hood should be ducted to the outside of the house, so that the extracted air is vented outside. But sometimes this is not practical, so most Siemens hoods can also operate in recirculating mode; where the air is passed through a metal filter to remove grease, and then through a carbon filter to remove odours before being directed back into the kitchen.

Although the extraction rate is usually slightly lower when using this method than ducted extraction and the carbon odour filter will need to be replaced, recirculating the air offers an energy efficient benefit; cool air is retained in the home in the summer and warm air does not vent out during winter months.

- Ducted Ventilation**
- Extracts steam and odours
 - Effective planning of ducting system required

- Recirculated Ventilation**
- Removes over 90% of odours with cleanAir filters
 - Easy to install – no ducting required
 - Separate recirculation kit required



Recirculation filters.

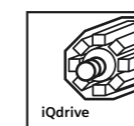
	Standard odour filter	cleanAir plus filter*	Long-life Clean Air filter***	Long life regenerative filter***
Standard high performance or regenerative				
Lifetime	6-12 months	12 months	Up to 4 years**	12 months
Benefits	Simple installation, anti-fish treatment	Anti-pollen functionality: The filter retains 99% of airborne pollen and deactivates allergens which are retained by the filter. Increased surface area, Up to 3dB (A) sound reduction, improved extraction and performance, anti-fish treatment	Anti-pollen functionality: The filter retains 99% of airborne pollen and deactivates allergens which are retained by the filter. Increased surface area, Up to 3dB (A) sound reduction, improved extraction and performance, anti-fish treatment	Anti-pollen functionality: The filter retains 99% of airborne pollen and deactivates allergens which are retained by the filter. Increased surface area, Up to 3dB (A) sound reduction, improved extraction and performance, anti-fish treatment
			See page 185 for more details	

*CleanAir and Regenerative filters are not available for all styles of hood. Additional module may be required to house the filter. Images for example only, different filters may come in a different size and style.

**This filter can be regenerated/refreshed in the oven 3 times offering long life usage of up to 4 years, depending on frequency of use.

***For box chimney and integrated design hoods. Available as part of a kit or as a replacement from customer service.

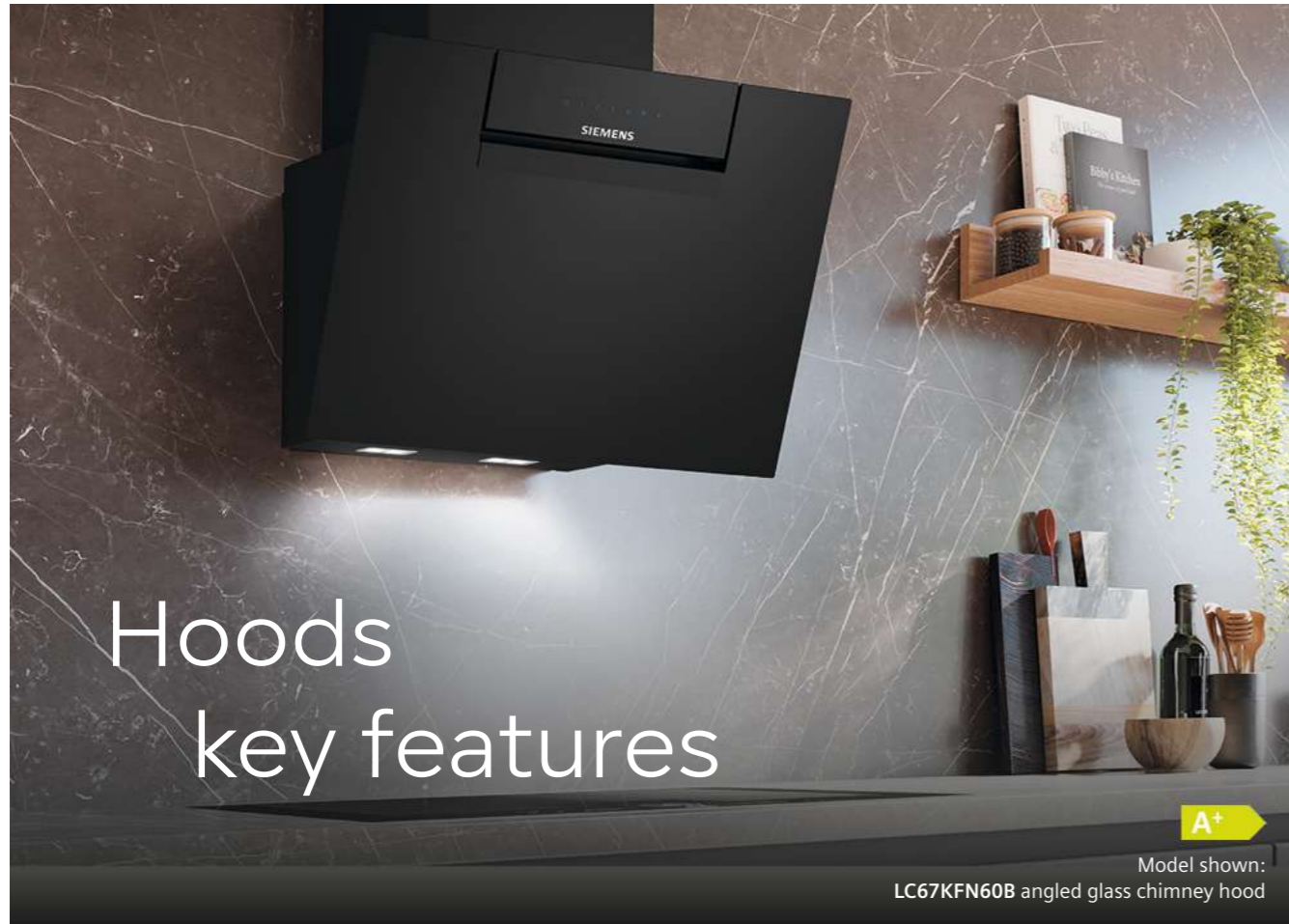
State-of-the-art efficiency with the iQ drive motor.



Siemens hoods feature the highly efficient, brushless iQdrive motor, engineered for powerful extraction with minimal energy consumption. Its innovative design ensures the powerful removal of steam and odours while operating with remarkable quietness, so conversations can continue uninterrupted, for a peaceful kitchen environment without compromising on performance. Durable and built to last, the iQdrive motor delivers class-leading, energy-efficient performance, capable of extracting up to 1007 m³/h* in our most powerful hood*.

*LC91KLT60B





Hoods key features

A+

Model shown:
LC67KFN60B angled glass chimney hood

Smart hoods make cooking a breeze.

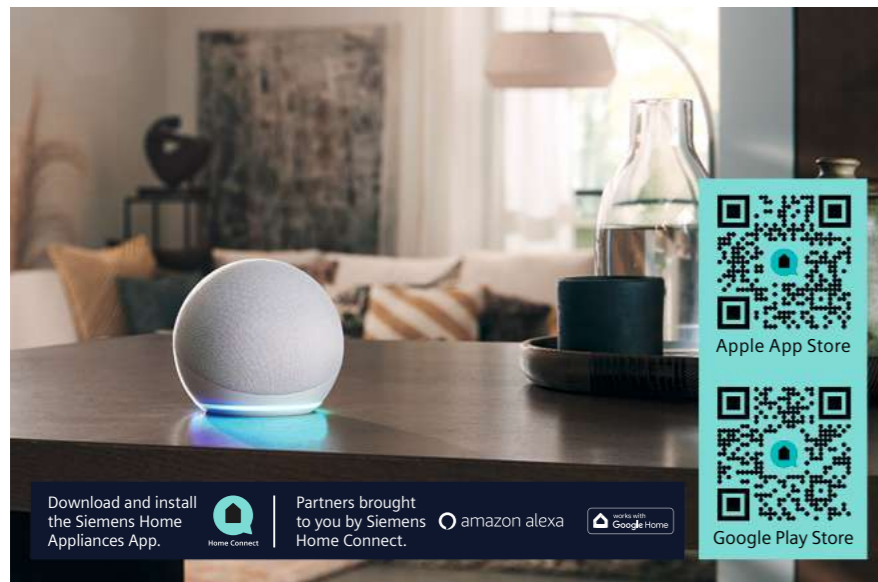
Siemens Home Connect

Experience a more versatile way of cooking with the Siemens Home Appliances App. Easily control the lighting, power level, and run time of the hood via a smartphone, tablet or voice assistant.

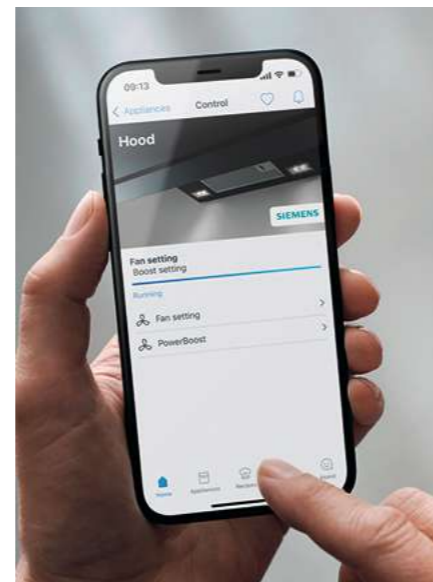
Take connected cooking a step further to control hood settings with Amazon Alexa voice control. For example, ask Alexa how to clean the filter, set the ambient lights or start extraction. All these features also work with Google Home, making it simple to control appliances in every kitchen. With the Siemens Home Appliances App, the

climateControl sensor can be activated so that the hood's extraction rate automatically adjusts depending on the level of steam and odours in the kitchen.

The cookConnect system enables connection of the hob and the hood through the Siemens Home Appliances App for more convenient control. This feature allows hood settings to be changed from the hob, so there is complete control from just one appliance.



Download and install the Siemens Home Appliances App. Partners brought to you by Siemens Home Connect. amazon alexa Google Home



Have it your way with Siemens Home Connect.

Intelligent connectivity gives more control, support and freedom. Whether it is getting a notification when dinner is ready, lowering the heat on the hob via a smartphone or tablet, or asking the smart assistant speaker (Amazon Alexa or Google Home) to turn off the hob while the table is being set, Siemens Home Connect gives access to more flexibility and more ways to personalise the kitchen.

Some of the features displayed can be accessed only if the device is connected to a Siemens Home Connect account and a SingleKey ID account via the Internet. Siemens Home Connect is a service of Home Connect GmbH. For more information on Siemens Home Connect, visit www.home-connect.com/gb/en



Intelligent hood automatic with climateControl Sensor

The next evolution in air management. The hood not only switches on automatically and adjusts its power based on the hob's settings, but it also activates the advanced climateControl Sensor. This intelligent sensor constantly monitors the kitchen environment, detecting the precise density of steam and odours in real-time to ensure the air is always optimally managed.

The hood then autonomously adjusts its extraction power with absolute precision – reacting instantly to a sudden sizzle or a burst of steam, independent of the hob's settings. This ensures the air is always optimally cleared with maximum efficiency, delivering a truly hands-free, responsive, and perfectly controlled kitchen environment. Exclusively on the new iQ700 integrated hoods



intelligent hood automatic

The hood matches the fan level to the temperature and power of the hob, empowering consumers to cook from start to finish without ever touching the hood. Simply pairing both appliances with Siemens Home Connect allows users to benefit from this automated cooking feature. Intelligent hood automatic is available on all touchSlider induction hobs in combination with our iQ300 angled hoods and new box hoods.



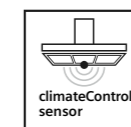
cookConnect system

Control the hood's power levels and lighting directly from the hob after pairing both appliances via the Siemens Home Appliances App. On top of this, once the hob is switched on, the hood will start automatically.



Favourite button

The favourite button personalises the cooking experience, with just one tap. When connected via the Siemens Home Appliances App, the favourite button can be programmed to perform a chosen action. Whether it is activating a specific heat and timer setting, switching on hood lighting, or turning on other connected appliances and devices using IFTTT.



climateControl sensor

The climateControl sensor automatically adjusts the power level of the hood depending on the level of steam and odours in the air – keeping the kitchen fresher without having to manually adjust the power. The climateControl Sensor is activated by selecting the 'auto' button.



Model shown: LC97BDN60B box chimney hood

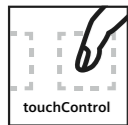
Controlling your hood.



Home Connect

Siemens Home Connect and voice control

Activate and control connected hoods by using the Siemens Home Appliances App or via voice control with Amazon Alexa or Google Home to take the connected cooking experience to the next level.



touchControl

The design of touchControl is integrated into the black glass panel for easy control at the touch of a button. Its sleek design is not only aesthetically pleasing but also enables easy cleaning.

Push button control

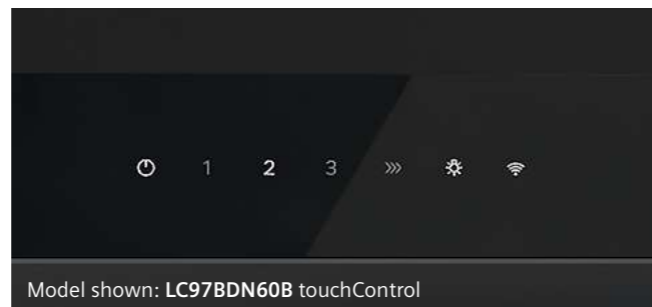
Experience direct, tactile precision with our classic push-button controls. Engineered for unwavering reliability and effortless use even with wet hands, this interface offers confident, straightforward command.

Soft touch

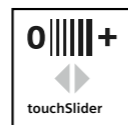
For a modern aesthetic and effortless cleaning, soft-touch controls offer a responsive, electronic interface. A light tap on the clearly defined icons is all that's needed to adjust settings, with feedback provided by a discreet light or tone. This design combines contemporary style with practical, easy-to-maintain functionality.

cookConnect system

Control the hood's power levels and lighting directly from the hob after pairing both appliances via the Siemens Home Appliances App. On top of this, once the hob is switched on, the hood will start automatically.



Model shown: LC97BDN60B touchControl



touchSlider

Stunning design meets sleek control with touchSlider. Control Siemens hoods with ease by simply sliding a finger along the touchSlider to select the power level.



Lighting the way.



LED Illumination

All Siemens hoods are equipped with state-of-the-art LED lighting, ensuring the hob is illuminated evenly and clearly.

Other product features.



Hood width

Siemens offers a wide range of hoods to fit different sized spaces. For optimal results, the cooker hood should be at least as wide as the hob. Our hood widths range from 520-900mm.

Intensive setting

The intensive setting creates a powerful boost of extraction, perfect for tackling demanding dishes such as stir fry or steamed vegetables. This ensures moisture is properly eradicated without misting windows and the kitchen air is kept fresh.

Interval operation

With interval ventilation, the hood switches on automatically at the lowest level for 10 minutes every hour, to keep the air in the kitchen refreshed. The interval ventilation switches off after 24 hours.



Energy efficient hoods*

Siemens hoods feature innovations that make them incredibly energy efficient to run, from our durable and quiet brushless iQdrive motor to LED lighting.

*For individual product energy efficiency ratings please check individual product specifications.

Automatic after running time

This convenient feature reduces cooking odours by allowing the extractor to carry on running automatically after cooking has finished. It will run at a low speed for 3-30 minutes – the duration the extractor carries on for depends on the model.





Filter saturation indicator system

The filter saturation indicators use an illuminated symbol on the hood to show when the hood's grease filters need to be cleaned. For hoods installed with a recirculation filter, the saturation indicator will also signal when the recirculation filter should be replaced or regenerated (depending on type of filter installed).




Core Hoods and Venting Hobs product overview







2 year warranty
A two year warranty is available on all Siemens hood appliances listed in this brochure to protect against manufacturing and material faults during this warranty period.

Worktop installation			
glassdraftAir	inductionAir Plus hob	inductionAir Plus hob	inductionAir Plus hob
90cm	80cm	80cm	70cm
 <p>LD98WMM60B iQ700 Black with clear glass</p> <ul style="list-style-type: none"> • Integrated extraction • iQDrive® • cookConnect • climateControl Sensor • Guided Air technology • Interval operation • Metal grease filter • 3 power levels and 2 intensive 	 <p>EX875LX67E iQ700 Black glass</p> <ul style="list-style-type: none"> • Integrated extraction • Interval operation • Metal grease filter • 17 power levels and 2 intensive 	 <p>EX81AHL26E iQ700 Matt black</p> <ul style="list-style-type: none"> • Integrated extraction • Interval operation • Metal grease filter • 9 power levels and 1 intensive 	 <p>ED851HQ26E iQ500 Black glass</p> <ul style="list-style-type: none"> • Integrated extraction • Interval operation • Metal grease filter • 9 power levels and 2 intensive

Wall installation				
Angled glass chimney hood	Angled glass chimney hood	Angled glass chimney hood	Angled glass chimney hood	Angled glass chimney hood
90cm	80cm	80cm	60cm	60cm
 <p>LC91KLT60B iQ700 Black</p> <ul style="list-style-type: none"> • iQDrive® • cookConnect • climateControl sensor • Touch Control • Adjustable LED white colour temperature • Metal grease filter • 3 power levels and 2 intensive 	 <p>LC87KFN60B iQ300 Black</p> <ul style="list-style-type: none"> • iQDrive® • cookConnect • Intelligent Hood Automatic • Touch Control • Adjustable LED white colour temperature • Metal grease filter • 3 power levels and 1 intensive 	 <p>LC85KDK60B iQ100 Black</p> <ul style="list-style-type: none"> • Touch Control • LED Lights • Metal grease filter • 3 power levels and 1 intensive 	 <p>LC67KFN60B iQ300 Black</p> <ul style="list-style-type: none"> • iQDrive® • cookConnect • Intelligent Hood Automatic • Touch Control • Adjustable LED white colour temperature • Metal grease filter • 3 power levels and 1 intensive 	 <p>LC65KDK60B iQ100 Black</p> <ul style="list-style-type: none"> • Touch Control • LED Lights • Metal grease filter • 3 power levels and 1 intensive




Worktop installation		
inductionAir Plus hob	inductionAir Plus hob	inductionAir Plus hob
60cm	70cm	60cm
 <p>ED811BS16E iQ300 Black glass</p> <ul style="list-style-type: none"> • Integrated extraction • Interval operation • Metal grease filter • 3 power levels and 1 intensive 	 <p>ED711HQ26E iQ500 Black glass</p> <ul style="list-style-type: none"> • Integrated extraction • Interval operation • Metal grease filter • 9 power levels and 2 intensive 	 <p>ED611BS16E iQ300 Black glass</p> <ul style="list-style-type: none"> • Integrated extraction • Interval operation • Metal grease filter • 3 power levels and 1 intensive






Wall installation			
Box chimney hood	Box chimney hood	Box chimney hood	Box chimney hood
90cm	90cm	60cm	60cm
 <p>LC97BDN60B iQ500 Matt black</p> <ul style="list-style-type: none"> • touchControl • LED Lights • Adjustable colour temperature / brightness LED • Intelligent hood automatic • cookConnect hob based hood control • iQdrive • 3 power levels and 1 intensive 	 <p>LC95BCC60B iQ300 Matt black</p> <ul style="list-style-type: none"> • Push button control • LED Lights • 3 power levels 	 <p>LC67BDN60B iQ500 Matt black</p> <ul style="list-style-type: none"> • touchControl • LED Lights • Adjustable colour temperature / brightness LED • Intelligent hood automatic • cookConnect hob based hood control • iQdrive • 3 power levels and 1 intensive 	 <p>LC65BCC60B iQ300 Matt black</p> <ul style="list-style-type: none"> • Push button control • LED Lights • 3 power levels




Core Hoods and Venting Hobs overview



2 year warranty
A two year warranty is available on all Siemens hood appliances listed in this brochure to protect against manufacturing and material faults during this warranty period.

Integrated furniture installation		
Integrated design hood	Integrated design hood	Integrated design hood
90cm	90cm	80cm
 <p>LJ98BET60B iQ700 Matt black body and fold out glass</p> <ul style="list-style-type: none"> • Glass panel with touchControl • LED Lights • Adjustable colour temperature / brightness LED • Intelligent hood automatic with sensor • cookConnect hob based hood control • iQdrive • 3 power levels and 2 intensive 	 <p>LJ95BCC60B iQ300 Matt black body and fold out glass</p> <ul style="list-style-type: none"> • Push Button Control • LED Lights • 3 power levels 	 <p>LJ88BET60B iQ700 Matt black body and fold out glass</p> <ul style="list-style-type: none"> • Glass panel with touchControl • LED Lights • Adjustable colour temperature / brightness LED • Intelligent hood automatic with sensor • cookConnect hob based hood control • iQdrive • 3 power levels and 2 intensive

Integrated furniture installation				
Canopy hood	Canopy hood	Canopy hood	Canopy hood	Canopy hood
86cm	73cm	70cm	53cm	52cm
 <p>LB87NAC60B iQ500 Black</p> <ul style="list-style-type: none"> • Push Button Control • LED Lights • Metal grease filter • 3 power levels and 1 intensive 	 <p>LB75566GB iQ300 Metallic silver</p> <ul style="list-style-type: none"> • Slider Switch • LED Lights • Metal grease filter • 3 power levels and 1 intensive 	 <p>LB77NAC60B iQ500 Black</p> <ul style="list-style-type: none"> • Push Button Control • LED Lights • Metal grease filter • 3 power levels and 1 intensive 	 <p>LB53NAA30B iQ100 Metallic silver</p> <ul style="list-style-type: none"> • Push Button Control • LED Lights • Metal grease filter • 3 power levels 	 <p>LB56NAC60B iQ500 Black</p> <ul style="list-style-type: none"> • Push Button Control • LED Lights • Metal grease filter • 3 power levels and 1 intensive

Integrated furniture installation		
Integrated design hood	Integrated design hood	Integrated design hood
80cm	60cm	60cm
 <p>LJ85BCC60B iQ300 Matt black body and fold out glass</p> <ul style="list-style-type: none"> • Push Button Control • LED Lights • 3 power levels 	 <p>LJ68BET60B iQ700 Matt black body and fold out glass</p> <ul style="list-style-type: none"> • Glass panel with touchControl • LED Lights • Adjustable colour temperature / brightness LED • Intelligent hood automatic with sensor • cookConnect hob based hood control • iQdrive • 3 power levels and 2 intensive 	 <p>LJ65BCC60B iQ300 Matt black body and fold out glass</p> <ul style="list-style-type: none"> • Push Button Control • LED Lights • 3 power levels

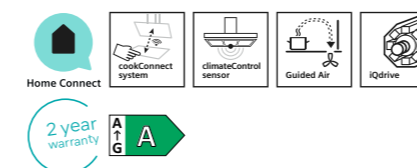
Integrated furniture installation	
Telescopic hood	Telescopic hood
90cm	60cm
 <p>LI94MA531B iQ300 Metallic silver</p> <ul style="list-style-type: none"> • iQDrive® • Soft touch • LED Lights • Metal grease filter • 3 power levels and 1 intensive 	 <p>LI64MA531B iQ300 Metallic silver</p> <ul style="list-style-type: none"> • iQDrive® • Soft touch • LED Lights • Metal grease filter • 3 power levels and 1 intensive



Worktop ventilation

iQ700 LD98WMM60B

glassdraftAir Hood
Black with clear glass



Models shown: LD98WMM60B glassdraftAir hood with EX975LVV1E flexInduction hob

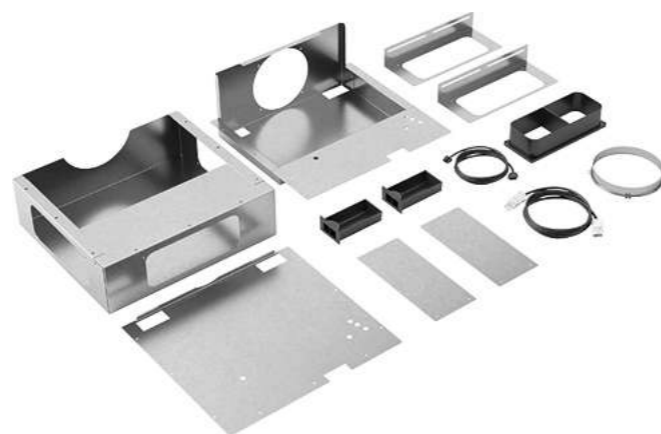
The finishing touch for your kitchen. Now with flexible installation.

Extract cooking smells at source with the iQ700 glassdraftAir hood, ideal for keeping the sightlines of open plan kitchens. Conveniently placed within the worktop, this elegant hood can be automatically raised when needed, then disappears at the touch of a button. There is no need to worry about losing storage space beneath as the motor can be placed somewhere more convenient with the remote installation kit.

The Siemens Remote Motor Installation Mounting Kit (LZ21WWM11) frees up space under the worktop and provides the option to mount the motor up to 3 metres away from the appliance. Image for illustrative purposes only. Ducting not supplied.



Model shown: LD98WMM60B glassdraftAir hood



glassdraftAir Hood specifications

Appliance type	glassdraftAir hood
Width	90cm
Design family	iQ700
Model number	LD98WMM60B
Colour	Black with clear glass
Key features	
Seamless installation to hob available (check compatibility)	■
Home Connect	■
Guided Air	■
climateControl sensor	■
cookConnect hob based hood control	■
iQdrive®	■
Intensive setting / Automatic intensive revert ¹	■ / ■
Filter saturation indicator	■
Filter service position	■
Features	
Suitable for ducted / recirculating operation ²	■ / ■
Power levels	3 + 2 intensive
Interval operation	■
Automatic after running (minutes)	10
Type of control	Touch control
Performance / technical information	
Energy rating	A
Appliance width (mm)	912
Extraction rate in m ³ /h ^{3,4}	
- ducted / recirculating at power level 3	519 / 472
- ducted / recirculating at power level 4 or intensive setting 1	656 / 543
- ducted / recirculating, intensive setting or intensive setting 2	833 / 620
Noise level (sound power) based on dB [A] re 1pW^{5,6}	
- ducted / recirculating at power level 3	62 / 65
- ducted / recirculating at power level 4 or intensive setting 1	67 / 68
- ducted / recirculating, intensive setting or intensive setting 2	71 / 71
Pipe outlet diameter (mm)	150
Minimum distance above an electric / gas hob ⁵ (mm)	Not compatible
GB plug	■

■ Yes, model has this feature. – Feature not available for this model.
¹Power automatically reverts back to normal setting after intensive.
²A type of recirculating kit is required if recirculating.
³Air Flow and noise declarations made in line with CECEC Code of Conduct.
⁴Measured according to EN61591 on largest pipe diameter.
⁵Sound power measured according to EN60704-3 on largest pipe diameter.
⁶From top of pan supports. Depending on the model, a 'Recirculating odour filter kit' will consist of the following items: Charcoal filter, flexible hose, air duct, fixing components, installation instructions.
Data valid in this table as of April 2026. Subject to modification without prior notice.

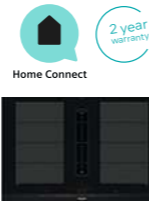


Scan to view installation options

Siemens glassdraftAir hood and hob compatibility guide		
Hood	Hob compatibility	Seamless Installation Kit
iQ700 LD98WMM60B 90cm glassdraftAir hood	iQ700 EX975KXW1E flexInduction hob	LZ29WWM12

For specification details, please visit siemens-home.bsh-group.com/uk and download a full specification sheet. For the full range of accessories, please visit our online accessory shop at siemens-home.bsh-group.com/uk/shop or call our Spares Department on 0344 892 8999.

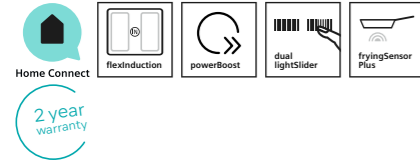
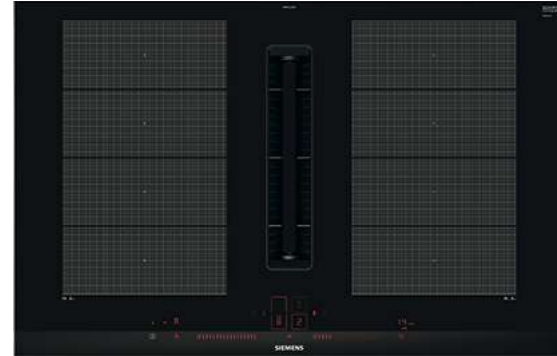
inductionAir Plus hobs



iQ 700 EX875LX67E

inductionAir Plus hob
Black glass

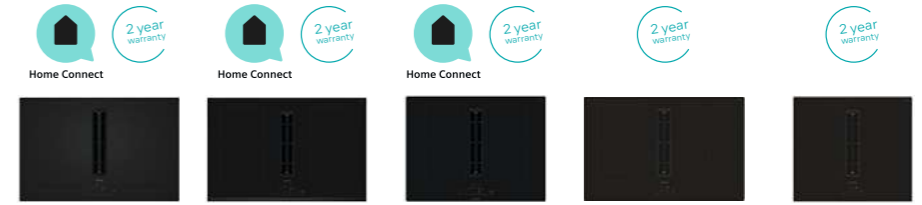
80cm



inductionAir Plus hob specifications

Appliance type		inductionAir plus hob	
Design family		iQ 700	
Model number		EX875LX67E	
Design			
Width (mm)		812	
Control position / Control type		Front / Dual lightSlider	
diamondProtect Surface / Matt black surface		- / -	
Style		Stainless steel trims with front bevel	
Key features			
Home Connect		■	
Integrated extractor		■	
cookingSensor Plus ready ¹		HZ39050 required	
fryingSensor		Plus: 5 levels	
Favourite Button		-	
Automatic extraction		Fully sensor based	
Number of flexInduction zones		2	
Number of combiZones		-	
Hob features			
Number of individual zones / Power levels		4 / 17	
powerBoost / powerMove Plus		■ / 3 stages	
panBoost		■	
Adaptable volume / Energy consumption display		- / ■	
Keep warm function		■	
quickStart / Quick stop (Quick switch-off)		■ / -	
flexMotion / reStart		■ / ■	
Demo mode		■	
Dish categories/setting recommendations		■ / ■	
Wipe protection function (Control panel pause)		■ / ■	
Safety features			
Residual heat indicator / Pan recognition		■ / ■	
Childproof lock / Pause function		■ / -	
Countdown timer / Count up timer		■ / ■	
Safety time switch off / Main on/off switch		■ / ■	
Hood features			
climateControl sensor / Metal grease filter		■ / ■	
Power levels		17 + 2 Intensive	
Automatic intensive revert setting		6 minutes	
Automatic or manual control		■	
Automatic after running: Extraction / Recirculation		12 / 30 minutes	
Interval operation		■	
Dishwasher safe grease filter cassette with spillage collection		Yes - 200ml capacity	
Dishwasher safe spillage overflow collector		700ml capacity	
Electronic grease filter/cleanAir filter saturation indicators		■ / ■	
Performance / Technical information – Hob			
Maximum power output (W)		7,400	
Nominal voltage (V)		220-240	
Electrical cable length (cm)		110	
Rear left zone - power (kW) / dimensions (mm)		2.20	200 x 240
Rear right zone - power (kW) / dimensions (mm)		2.20	200 x 240
Front left zone - power (kW) / dimensions (mm)		2.20	200 x 240
Front right zone - power (kW) / dimensions (mm)		2.20	200 x 240
flexInduction zone left - power (kW) / dimensions (mm)		3.30	400 x 240
flexInduction zone right - power (kW) / dimensions (mm)		3.30	400 x 240
combiZone left - power (kW) / dimensions (mm)		-	-
combiZone right - power (kW) / dimensions (mm)		-	-
Rear left zone / Rear right zone - with powerBoost (max. kW)		3.70 / 3.70	
Front left zone / Front right zone - with powerBoost (max. kW)		3.70 / 3.70	
Performance / Technical information – Extractor			
Extractor energy efficiency rating		B	
Extraction rate in m³/h^{1),2)}			
- ducted / recirculating power level maximum		500 / 499	
- ducted / recirculating power level intensive		622 / 595	
Noise level (sound power) based on dB[A] re 1pW^{1),4)}			
- ducted / recirculating power level maximum		69 / 68	
- ducted / recirculating power level intensive		74 / 72	
Motor power (W)		170	

■ Yes, model has this feature. - Feature not available for this model.
All models comply with COMMISSION (EC) No. 1275/2008 with regard to ecodesign requirements for standby and off mode electric power consumption.
¹ Max 3 sensors at any time; one WSP provided. ² Air flow and noise declarations made in line with CECEC Code Of Conduct. ³ Sound power measured according to EN60704-3 on largest pipe diameter.
Data valid in this table as of April 2026. Subject to modification without prior notice.



Available May 2026

inductionAir Plus hob specifications

Appliance type		inductionAir plus hobs					
Design family		iQ 700	iQ 500	iQ 500	iQ 300	iQ 300	
Model number		EX81AHL26E	ED851HQ26E	ED711HQ26E	ED811BS16E	ED611BS16E	
Design							
Width (mm)		802	802	710	802	592	
Control position / Control type		Front / touchSlider	Front / touchSlider	Front / touchSlider	Front / touchControl	Front / touchControl	
diamondProtect Surface / Matt black surface		- / ■	- / -	- / -	- / -	- / -	
Style		Frameless	U-Bevel	Frameless	Frameless	Frameless	
Key features							
Home Connect		■	■	■	-	-	
Integrated extractor		■	■	■	■	■	
cookingSensor Plus ready ¹		-	-	-	-	-	
fryingSensor		Pro: 11 levels	Pro: 11 levels	Pro: 11 levels	-	-	
Favourite Button		■	■	■	-	-	
Automatic extraction		Auto-On	Auto-On	Auto-On	Auto-On	Auto-On	
Number of flexInduction zones		2 XL	-	-	-	-	
Number of combiZones		-	2: Left & Right	2: Left & Right	1	1	
Hob features							
Number of individual zones / Power levels		4 / 17	4 / 17	4 / 17	4 / 17	4 / 17	
powerBoost / powerMove Plus		■ / -	■ / -	■ / -	■ / -	■ / -	
panBoost		via HC/Favourite Button a. sw upd.	via HC/Favourite Button a. sw upd.	via HC/Favourite Button a. sw upd.	-	-	
Adaptable volume / Energy consumption display		■ / -	■ / -	■ / -	- / -	- / -	
Keep warm function		via HC/Favourite Button a. sw upd.	via HC/Favourite Button a. sw upd.	via HC/Favourite Button a. sw upd.	-	-	
quickStart / Quick stop (Quick switch-off)		■ / -	■ / -	■ / -	■ / ■	■ / ■	
flexMotion / reStart		■ / ■	- / ■	- / ■	- / ■	- / ■	
Demo mode		■	-	-	-	-	
Dish categories/setting recommendations		via HC app a. sw upd.	via HC app a. sw upd.	via HC app a. sw upd.	-	-	
Wipe protection function (Control panel pause)		-	-	-	-	-	
Safety features							
Residual heat indicator / Pan recognition		■ / ■	■ / ■	■ / ■	■ / ■	■ / ■	
Childproof lock / Pause function		■ / ■	■ / ■	■ / ■	■ / -	■ / -	
Countdown timer / Count up timer		■ / -	■ / -	■ / -	■ / -	■ / -	
Safety time switch off / Main on/off switch		■ / ■	■ / ■	■ / ■	■ / ■	■ / ■	
Hood features							
climateControl sensor / Metal grease filter		- / ■	- / ■	- / ■	- / ■	- / ■	
Power levels		9 + 2 Intensive	9 + 2 Intensive	9 + 2 intensive	3 + 1 intensive	3 + 1 intensive	
Automatic intensive revert setting		6 minutes	6 minutes	6 minutes	6 minutes	6 minutes	
Automatic or manual control		■	■	■	■	■	
Automatic after running: Extraction / Recirculation		12 / 30 minutes	12 / 30 minutes	12 / 30 minutes	12 / 30 minutes	12 / 30 minutes	
Interval operation		■	■	■	■	■	
Dishwasher safe grease filter cassette with spillage collection		Yes - 200ml capacity	Yes - 200ml capacity	Yes - 200ml capacity	Yes - 200ml capacity	Yes - 200ml capacity	
Dishwasher safe spillage overflow collector		700ml capacity	700ml capacity	700ml capacity	700ml capacity	700ml capacity	
Electronic grease filter/cleanAir filter saturation indicators		- / -	- / -	- / -	- / -	- / -	
Performance / Technical information – Hob							
Maximum power output (W)		7,400	7,400	7,400	7,400	7,400	
Nominal voltage (V)		220-240	220-240	220-240	220-240	220-240	
Electrical cable length (cm)		110	110	110	110	110	
Rear left zone - power (kW) / dimensions (mm)		2.20	220 x 230	2.50	190 x 210	2.50	190 x 210
Rear right zone - power (kW) / dimensions (mm)		2.20	220 x 230	2.50	190 x 210	2.50	190 x 210
Front left zone - power (kW) / dimensions (mm)		2.20	220 x 230	2.50	190 x 210	2.50	190 x 210
Front right zone - power (kW) / dimensions (mm)		2.20	220 x 230	2.50	190 x 210	2.50	190 x 210
flexInduction zone left - power (kW) / dimensions (mm)		3.30	440 x 230	-	-	-	-
flexInduction zone right - power (kW) / dimensions (mm)		3.30	440 x 230	-	-	-	-
combiZone left - power (kW) / dimensions (mm)		-	3.60	380 x 210	3.60	380 x 210	3.60
combiZone right - power (kW) / dimensions (mm)		-	3.60	380 x 210	3.60	380 x 210	3.60
Rear left zone / Rear right zone - with powerBoost (max. kW)		3.70 / 3.70		3.70 / 3.70		3.70 / 3.70	
Front left zone / Front right zone - with powerBoost (max. kW)		3.70 / 3.70		3.70 / 3.70		3.70 / 3.70	
Performance / Technical information – Extractor							
Extractor energy efficiency rating		B	B	B	B	B	
Extraction rate in m³/h^{1),2)}							
- ducted / recirculating power level maximum		500 / 499	500 / 487	500 / 487	500 / 441	500 / 441	
- ducted / recirculating power level intensive		622 / 595	622 / 595	622 / 595	622 / 595	622 / 595	
Noise level (sound power) based on dB[A] re 1pW^{1),4)}							
- ducted / recirculating power level maximum		69 / 68	69 / 68	69 / 68	69 / 66	69 / 66	
- ducted / recirculating power level intensive		74 / 72	74 / 72	74 / 72	74 / 72	74 / 72	
Motor power (W)		170	170	170	170	170	

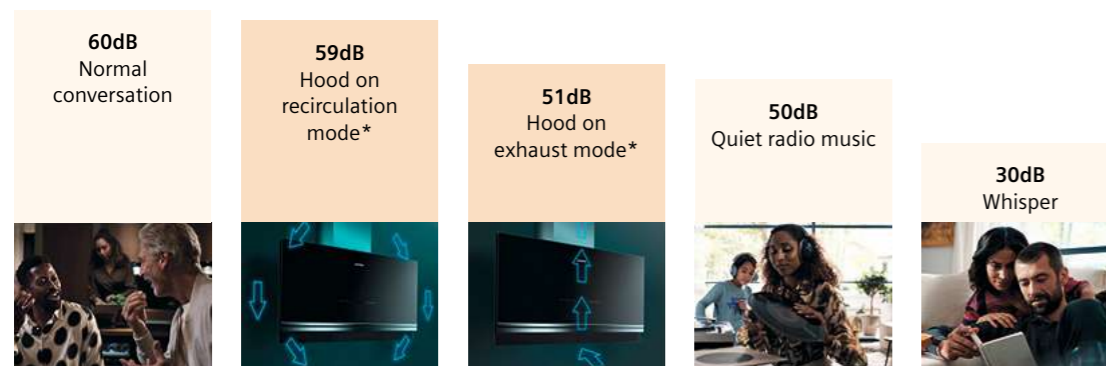
■ Yes, model has this feature. - Feature not available for this model.
All models comply with COMMISSION (EC) No. 1275/2008 with regard to ecodesign requirements for standby and off mode electric power consumption.
¹ Max 3 sensors at any time; one WSP provided. ² Air flow and noise declarations made in line with CECEC Code Of Conduct. ³ Sound power measured according to EN60704-3 on largest pipe diameter.
Data valid in this table as of April 2026. Subject to modification without prior notice.

Intelligent angled hoods, clean air and quiet moments

Our range of iQ300 and iQ700 angled hoods and touchSlider hobs work tirelessly in the background to remove distractions, eliminate errors and enhance the cooking experience.

Designed for maximum flexibility and control, and true to the distinctive Siemens design – our intelligent hobs and hoods make cooking more intuitive by automatically adjusting to the cookware, adapting to user preferences, and automating tasks. When cooking, greasy fumes and loud noises can make it difficult to concentrate or have a conversation. The powerful, quiet and energy-efficient angled hoods allow delicious meals to be prepared, free from disturbance.

Decibel output.



* Decibel output of iQ700 hoods on level 3.

Accessories for recirculation.

Compatible Recirculation Kits: iQ300 LC67KFN60B – 60cm	
Accessory	
LZ11BK116	cleanAir Plus Recirculation Kit
LZ11BKV16	cleanAir Plus Recirculation Kit – Chimless
Replacement Filters	
LZ11BKB16	cleanAir Plus Replacement Filter

Compatible Recirculation Kits: iQ300 LC87KFN60B – 80cm	
Accessory	
LZ11BK116	cleanAir Plus Recirculation Kit
LZ11BKV16	cleanAir Plus Recirculation Kit – Chimless
Replacement Filters	
LZ11BKB16	cleanAir Plus Replacement Filter

Compatible Recirculation Kits: iQ700 LC91KLT60B – 90cm	
Accessory	
LZ11BK116	cleanAir Plus Recirculation Kit
LZ11BKV16	cleanAir Plus Recirculation Kit – Chimless
LZ11BKS11	Long Life Recirculation Kit
LZ11BKR11	Long Life Recirculation Kit – Chimless
Replacement Filters	
LZ11BKB16	cleanAir Plus Replacement Filter
LZ11BKP11	Long Life Replacement Filter



A+

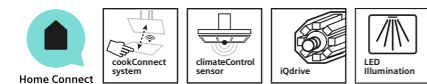
Model shown:
LC91KLT60B angled glass chimney hood

Decorative hoods

iQ 700 LC91KLT60B

Angled glass chimney hood
Black glass

90cm

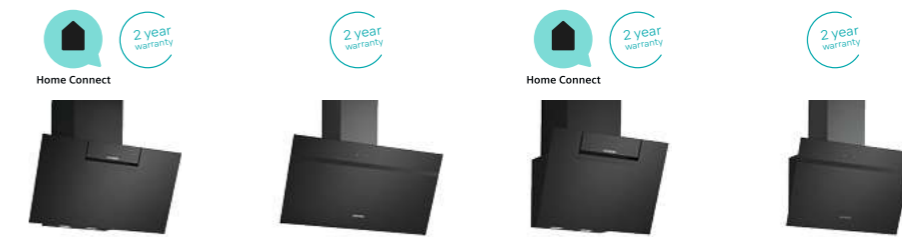


Angled hood specifications

Appliance type	Angled glass chimney hood
Width	90cm
Design family	iQ 700
Model number	LC91KLT60B
Colour	Black glass
Key features	
Home Connect	■
Adjustable LED white colour temperature	■
climateControl sensor	■
Intelligent Hood Automatic	-
cookConnect hob based hood control	■
iQdrive	■
Intensive setting / Automatic intensive revert ¹	■ / ■
Filter Saturation Indicator	■
Features	
Suitable for ducted / recirculating operation ²	■ / ■
Electronic power level display	■
Power levels	3 + 2 intensive
Automatic after running (minutes)	10
Lighting	2 x LED lights
Type of control	Touch control
Performance / technical information	
Energy rating	A+
Appliance width (mm)	890
Extraction rate in m³/h^{3,4}	
- ducted / recirculating at power level 3	441 / 435
- ducted / recirculating at power level 4 or intensive setting 1	753 / 752
- ducted / recirculating, intensive setting or intensive setting 2	1007 / 964
Noise level (sound power) based on dB [A] re 1pW^{5,5}	
- ducted / recirculating at power level 3	51 / 59
- ducted / recirculating at power level 4 or intensive setting 1	65 / 72
- ducted / recirculating, intensive setting or intensive setting 2	70 / 78
Pipe outlet diameter (mm)	150
Minimum distance above an electric / gas hob ⁶ (mm)	450 / 650
GB plug	■

■ Yes, model has this feature. - Feature not available for this model.
¹Power automatically reverts back to normal setting after intensive.
²A type of recirculating kit is required if recirculating.
³Air Flow and noise declarations made in line with CECEC Code of Conduct.
⁴Measured according to EN61591 on largest pipe diameter.
⁵Sound power measured according to EN60704-3 on largest pipe diameter.
⁶From top of pan supports. Depending on the model, a 'Recirculating odour filter kit' will consist of the following items: Charcoal filter, flexible hose, air duct, fixing components, installation instructions.
Data valid in this table as of April 2026. Subject to modification without prior notice.

Angled hood specifications



Appliance type	Angled glass chimney hoods			
Width	80cm	80cm	60cm	60cm
Design family	iQ 300	iQ 100	iQ 300	iQ 100
Model number	LC87KFN60B	LC85KDK60B	LC67KFN60B	LC65KDK60B
Colour	Black glass	Black glass	Black glass	Black glass
Key features				
Home Connect	■	-	■	-
Adjustable LED white colour temperature	■	-	■	-
climateControl sensor	-	-	-	-
Intelligent Hood Automatic	■	-	■	-
cookConnect hob based hood control	■	-	■	-
iQdrive	■	-	■	-
Intensive setting / Automatic intensive revert ¹	■ / ■	■ / ■	■ / ■	■ / ■
Filter Saturation Indicator	via Home Connect	-	via Home Connect	-
Features				
Suitable for ducted / recirculating operation ²	■ / ■	■ / ■	■ / ■	■ / ■
Electronic power level display	■	■	■	■
Power levels	3 + 1 intensive	3 + 1 intensive	3 + 1 intensive	3 + 1 intensive
Automatic after running (minutes)	10	-	10	-
Lighting	2 x LED lights	2 x LED lights	2 x LED lights	2 x LED lights
Type of control	Touch control	Touch control	Touch control	Touch control
Performance / technical information				
Energy rating	A+	A	A+	A
Appliance width (mm)	790	790	590	590
Extraction rate in m³/h^{3,4}				
- ducted / recirculating at power level 3	431 / 429	430 / 445	431 / 429	430 / 445
- ducted / recirculating at power level 4 or intensive setting 1	768 / 724	550 / 550	768 / 724	550 / 550
- ducted / recirculating, intensive setting or intensive setting 2	- / -	- / -	- / -	- / -
Noise level (sound power) based on dB [A] re 1pW^{5,5}				
- ducted / recirculating at power level 3	56 / 62	60 / 69	56 / 62	60 / 69
- ducted / recirculating at power level 4 or intensive setting 1	68 / 74	65 / 72	68 / 74	65 / 72
- ducted / recirculating, intensive setting or intensive setting 2	- / -	- / -	- / -	- / -
Pipe outlet diameter (mm)	150	150	150	150
Minimum distance above an electric / gas hob ⁶ (mm)	450 / 650	450 / 650	450 / 650	450 / 650
GB plug	■	■	■	■

■ Yes, model has this feature. - Feature not available for this model.
¹Power automatically reverts back to normal setting after intensive.
²A type of recirculating kit is required if recirculating.
³Air Flow and noise declarations made in line with CECEC Code of Conduct.
⁴Measured according to EN61591 on largest pipe diameter.
⁵Sound power measured according to EN60704-3 on largest pipe diameter.
⁶From top of pan supports. Depending on the model, a 'Recirculating odour filter kit' will consist of the following items: Charcoal filter, flexible hose, air duct, fixing components, installation instructions.
Data valid in this table as of April 2026. Subject to modification without prior notice.

New Box Hoods



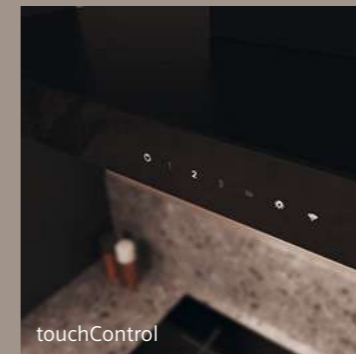
Maximum airflow, minimal energy and noise.

The high-performance iQdrive motor delivers up to 750 m³/h in exhaust and recirculation mode. Engineered for precise control and reliable continuous operation, it achieves Label A++ energy efficiency for extraction rates while remaining whisper-silent at just 56 dB in extraction mode. Compact, robust and low-maintenance, the iQdrive motor provides consistent, powerful airflow and is integrated into the iQ500 hood range.



Set the hob, forget the hood.

Available on iQ500 variants, the Intelligent hood automatic system automatically detects when you start cooking and switches the fan on, then dynamically adjusts the extraction rate to match the hob's power setting for optimal performance and comfort. This feature requires the hob and hood to be connected via Home Connect.



touchControl



Push button control

Simplified operation, effortless cooking.

Available with either the refined touchControl (iQ500) or the tactile pushbutton control (iQ300), both interfaces provide clear, intuitive guidance and effortless operation – reliable, precise and unmistakably Siemens.



Tailored lighting.

The LED lights on the box hood provide bright, clear illumination while cooking and can be switched on and off with a single touch or push. Use the Siemens Home Appliances App to set the light temperature from cool white to a softer, warmer glow. Only available on the iQ500 Siemens Home Connect enabled hoods.



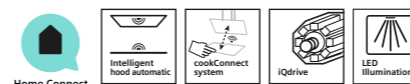
Model shown:
LC97BDN60B box chimney hood

A breath of fresh air for those who demand perfection.

Designed to work seamlessly with the hob, our box hoods automatically adjust their power level based on the hob's settings to deliver maximum extraction as quietly as possible.

Refined and understated, their design creates a harmonious kitchen atmosphere and integrates seamlessly into any interior. Available in elegant black matt finish, they offer a perfect fit for contemporary and classic kitchens alike, delivering a discreet yet premium presence that elevates the room while remaining easy to maintain.

Box chimney hoods

iQ500 LC97BDN60B
**Box chimney hood
Matt black**
90cm

**Box chimney hood
specifications**

Appliance type	Box chimney hood
Width	90cm
Design family	iQ500
Model number	LC97BDN60B
Colour	Matt black
Key features	
Home Connect	■
Adjustable Colour Temperature / Brightness LED	■
Intelligent Hood Automatic	■
cookConnect hob based hood control	■
iQdrive	■
Intensive setting / Automatic intensive revert ¹	■ / ■
Features	
Suitable for ducted / recirculating operation ²	■ / ■
Electronic power level display	■
Power levels	3 + 1 intensive
Automatic after running (minutes)	10
Lighting	2 x LED lights
Type of control	touchControl
Performance / technical information	
Energy rating	A++
Appliance width (mm)	898
Extraction rate in m³/h ^{3,4}	
- ducted / recirculating at power level 3	399 / 410
- ducted / recirculating at power level 4 or intensive setting 1	699 / 677
Noise level (sound power) based on dB [A] re 1pW ^{3,5}	
- ducted / recirculating at power level 3	56 / 64
- ducted / recirculating at power level 4 or intensive setting 1	68 / 73
Pipe outlet diameter (mm)	150 / 120
Minimum distance above an electric / gas hob ⁶ (mm)	550 / 650
GB plug	■

■ Yes, model has this feature. – Feature not available for this model.

¹Power automatically reverts back to normal setting after intensive.

²A type of recirculating kit is required if recirculating.

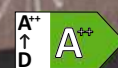
³Air Flow and noise declarations made in line with CECEC Code of Conduct.

⁴Measured according to EN61591 on largest pipe diameter.

⁵Sound power measured according to EN60704-3 on largest pipe diameter.

⁶From top of pan supports. Depending on the model, a 'Recirculating odour filter kit' will consist of the following items: Charcoal filter, flexible hose, air duct, fixing components, installation instructions.

Data valid in this table as of April 2026. Subject to modification without prior notice.



Model shown: LC97BDN60B box chimney hood



Box chimney hood specifications

Appliance type	Box chimney hoods		
Width	90cm	60cm	60cm
Design family	LC300	LC500	LC300
Model number	LC95BCC60B	LC67BDN60B	LC65BCC60B
Colour	Matt black	Matt black	Matt black
Key features			
Home Connect	-	■	-
Adjustable Colour Temperature / Brightness LED	-	■	-
Intelligent Hood Automatic	-	■	-
cookConnect hob based hood control	-	■	-
iQdrive	-	■	-
Intensive setting / Automatic intensive revert ¹	■ / ■	■ / ■	-
Features			
Suitable for ducted / recirculating operation ²	■ / ■	■ / ■	■ / ■
Electronic power level display	-	-	-
Power levels	3	3 + 1 intensive	3
Automatic after running (minutes)	-	10	-
Lighting	2 x LED lights	2 x LED lights	2 x LED lights
Type of control	Push button control	touchControl	Push button control
Performance / technical information			
Energy rating	B	A++	B
Appliance width (mm)	598	598	598
Extraction rate in m³/h^{3,4}			
- ducted / recirculating at power level 3	594 / 569	399 / 410	594 / 569
- ducted / recirculating at power level 4 or intensive setting 1	- / -	699 / 677	- / -
Noise level (sound power) based on dB [A] re 1pW^{3,5}			
- ducted / recirculating at power level 3	67 / 71	56 / 64	67 / 71
- ducted / recirculating at power level 4 or intensive setting 1	-	68 / 73	-
Pipe outlet diameter (mm)	150 / 120	150 / 120	150 / 120
Minimum distance above an electric / gas hob ⁶ (mm)	550 / 650	550 / 650	550 / 650
GB plug	■	■	■

■ Yes, model has this feature. - Feature not available for this model.

¹Power automatically reverts back to normal setting after intensive.

²A type of recirculating kit is required if recirculating.

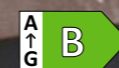
³Air Flow and noise declarations made in line with CECEC Code of Conduct.

⁴Measured according to EN61591 on largest pipe diameter.

⁵Sound power measured according to EN60704-3 on largest pipe diameter.

⁶From top of pan supports. Depending on the model, a 'Recirculating odour filter kit' will consist of the following items: Charcoal filter, flexible hose, air duct, fixing components, installation instructions.

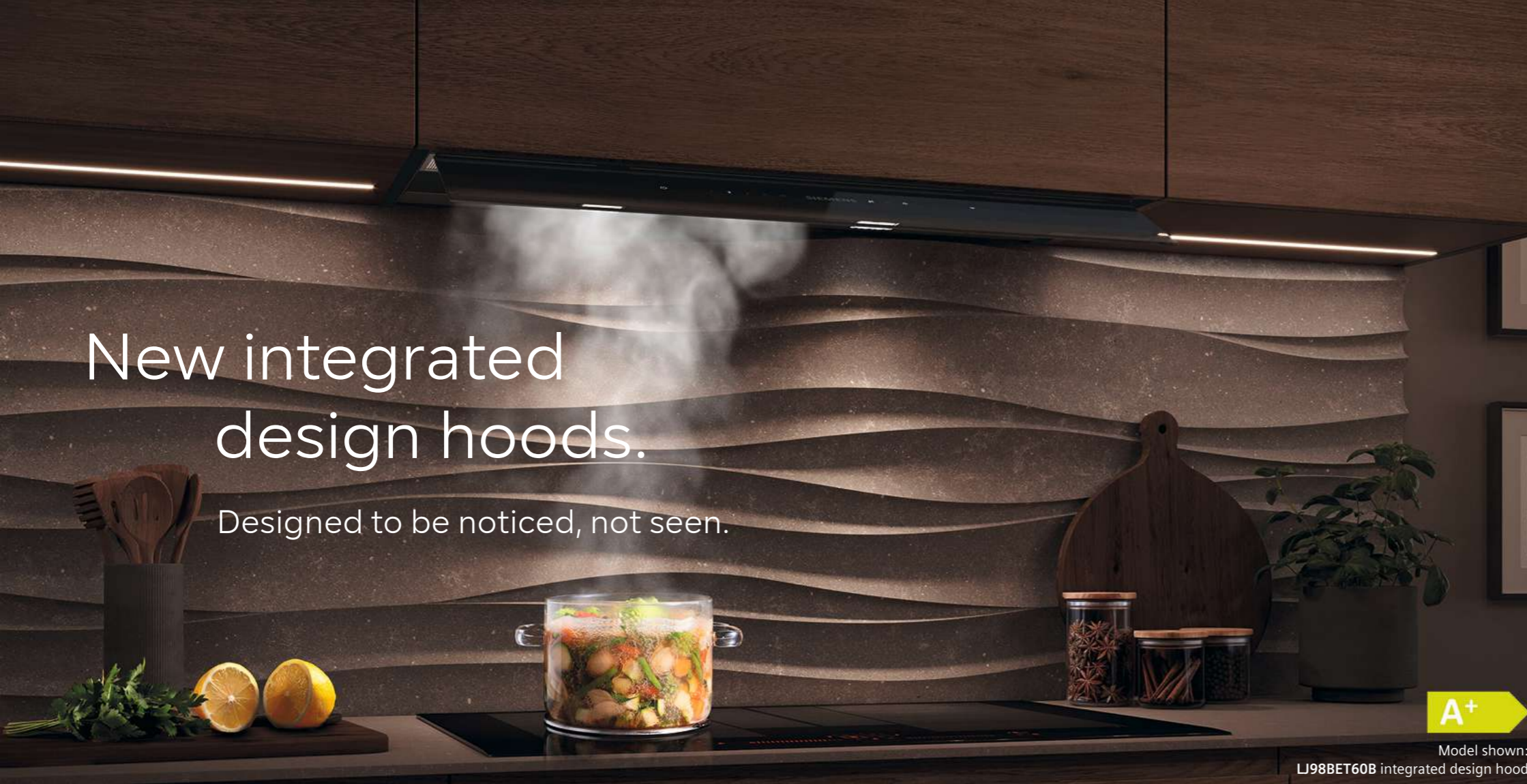
Data valid in this table as of April 2026. Subject to modification without prior notice.



Model shown: LC65BCC60B box chimney hood

New integrated design hoods.

Designed to be noticed, not seen.



Model shown: LJ98BET60B integrated design hood



Silence that speaks volume.

Our innovative, brushless iQ-Drive motor works quietly behind the scenes, effortlessly removing vapour and bad odours. With a maximum possible extraction rate of 850 m³/h and a minimum noise level of 57 dB, it is the definition of quiet confidence.

Understated elegance – Our most powerful and silent integrated design hood.

The Integrated design hood offers minimalism with a touch of sophistication. Seamlessly integrated within the cabinetry, it preserves the clean aesthetics of any modern kitchen, revealing itself only when needed. This virtually invisible hood allows the kitchen design to take centre stage without bulky distractions.

The discreet glass panel folds forward to start the hood and unfold it back when done to restore clean lines of the kitchen design. Whichever installation is selected – exhaust-air mode or recirculation – it delivers consistent, high-performance that keeps the kitchen clean, fresh and grease-free.

Carefully considered, in every detail.

From the streamlined controls on the glass panel to the elegant matt coating on the hood's body. It is easy to clean, distinctly modern, and maintains its sleek appearance time after time.



A superior extractor hood solution.

The Integrated design hood offers several advantages over traditional built-in hoods, such as telescopic and canopy hoods. Not just in terms of design but performance, storage and installation flexibility too.

Telescopic Hoods	Integrated Design Hoods	Canopy Hoods
Partially integrated but still visible	Fully integrated with a flush-fitted design	Fully integrated
Large filter drawer slides out	Discreet glass panel that unfolds	No drawer or glass panel
Limited storage flexibility	Highest storage flexibility	No overhead storage
High extraction rate	High extraction rate	Good extraction rate
Protects cabinets from steam	Protects cabinets from steam	Less protection against steam





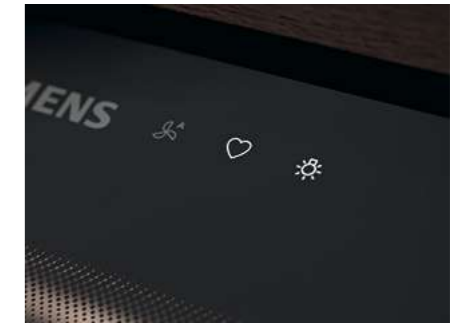
Installed in minutes.

The Integrated design hood is built for ease, including installation. With fewer parts, smart mounting aids and rails, and streamlined assembly, it can be easily installed by one person.



touchControl Plus.

Conveniently placed controls enable effortless adjustment of fan speed, LED lighting and other functions on the hood with a single light touch.



Favourite button.

The Favourite button can be assigned a function of choice, like switching on a particular light setting or triggering a smart home routine for quick access. The hood must be paired to a registered Home Connect account to use.



Sensor-enhanced automation.

The Integrated design hood automatically adjusts extraction based on air quality and hob activity, thanks to two advanced automation features that work together. The moment the hob is activated, Intelligent hood automatic starts the hood and adjusts the power to match the heat settings.

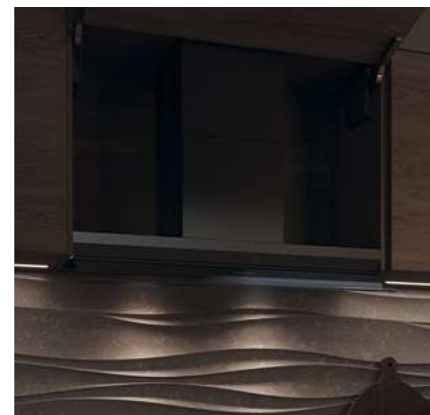
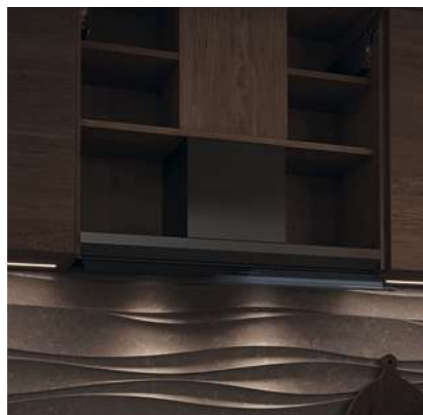
At the same time, the climateControl sensor keeps a constant eye on vapour and odours, fine-tuning the extraction rate as needed. Keeping the kitchen fresh and comfortable without the need to intervene. The intelligent sensor can also detect odours that don't originate from cooking and the hood automatically takes care of removing them.

Designed for more.

The Integrated Design Hood allows for more storage for an organised space. Up to 10 kg can be stored on each side of the hood's base.

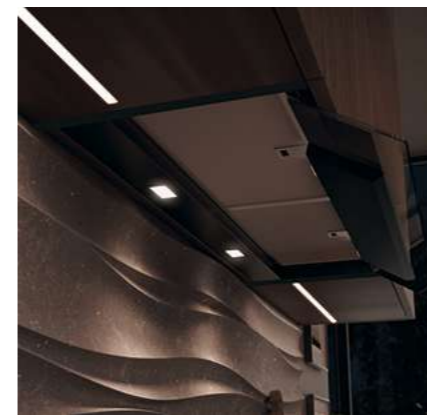
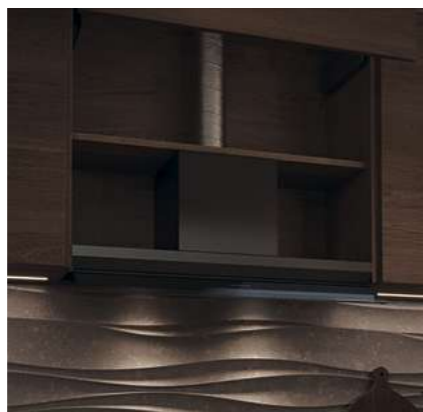
Its compact T-shaped design also enables it to fit neatly into cabinets and leaves enough room for full-depth overhead storage – not just a narrow space for herbs and spices.

Recipe books, small appliances, or cooking utensils can find a place, exactly where needed.



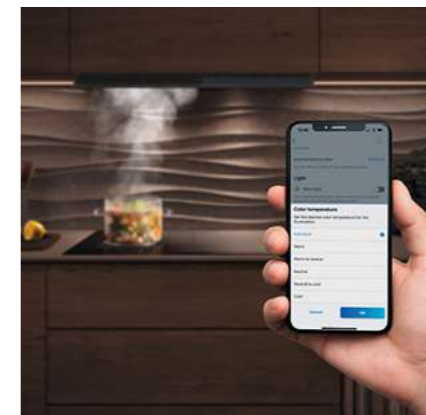
Fits style, and cabinets.

Available in 60cm, 80cm, and 90cm widths, this flexible built-in hood is designed to work in any size and style of cabinet, from swing doors to flap doors and more. For extra tall cupboards a chimney extension can simply be added and the shelves configured as needed.



Lighting for every mood.

The powerful, customisable LEDs ensure bright and even illumination for cooking and a range of settings to choose from. The light temperature can be adjusted from cool white to a softer, warmer glow using the Siemens Home Appliances app. The hood's lighting can also be enjoyed on its own with a simple tap, even when the glass panel is closed, thanks to the touchLight function.



Performance profiles.

The Siemens Home Appliances app allows to fine-tune the hood's standard extraction settings to match the user's cooking habits, ensuring optimal performance every time it is turned on. From maximum performance profile for stir fry, sear or steam cooked regularly to quiet operation profile for more gentle cooking.

Filter saturation: stay one step ahead.

The Integrated design hood keeps track of the grease filter saturation and send notifications in the Siemens Home Appliances app when it's time to clean or via an icon on the hood.

The odour filter can also be monitored in the app to help maintain peak performance without the guesswork.

Advanced intelligence, with a personal touch.

From advanced automation to useful app-enabled functions, every feature is there to make cooking feel more effortless and enjoyable.

Download and install the Siemens Home Appliances App.

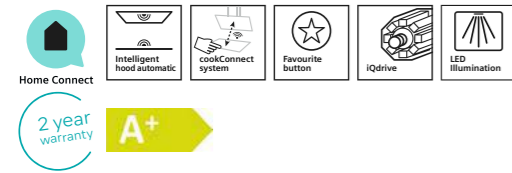


Integrated design hoods

iQ 700 LJ98BET60B

Integrated extractor hood
Matt black & fold out glass

90cm



Integrated design hood specifications

Appliance type	Integrated design hoods
Width	90cm
Design family	iQ 700
Model number	LJ98BET60B
Colour	Matt black
Glass panel	■
Special features	
Storage space	10kg each side
Home Connect	■
Adjustable Colour Temperature/Brightness LED	■
Intelligent hood automatic with sensor	■
Intelligent Hood Automatic	-
cookConnect hob based hood control	■
Favourite Button	■
iQdrive	■
Intensive setting / Automatic intensive revert ¹	■ / ■
Filter Saturation Indicator	■
Features	
Suitable for ducted / recirculating operation ²	■ / ■
Power levels	3 + 2 intensive
Automatic after running (minutes)	10
Lighting	2 x LED lights
Type of control	Glass Panel with touchControl
Performance / technical information	
Energy rating	A+
Appliance width (mm)	898
Extraction rate in m ³ /h ^{3,4}	
Power level 3 – ducted / recirculating	427 / 414
Intensive level 1 – ducted / recirculating	693 / 584
Intensive level 2 – ducted / recirculating	851 / 656
Noise level (sound power) based on dB [A] re 1pW ^{5,5}	
Power level 3 – ducted / recirculating	57 / 66
Intensive level 1 – ducted / recirculating	69 / 73
Intensive level 2 – ducted / recirculating	73 / 76
Pipe outlet diameter (mm)	150 / 120
Minimum distance above an electric / gas hob ⁶ (mm)	430 / 650
GB plug	■

■ Yes, model has this feature. – Feature not available for this model.
¹Power automatically reverts back to normal setting after intensive.
²A type of recirculating kit is required if recirculating.
³Air Flow and noise declarations made in line with CECEC Code of Conduct.
⁴Measured according to EN61591 on largest pipe diameter.
⁵Sound power measured according to EN60704-3 on largest pipe diameter.
⁶From top of pan supports. Depending on the model, a 'Recirculating odour filter kit' will consist of the following items: Charcoal filter, flexible hose, air duct, fixing components, installation instructions.
Data valid in this table as of April 2026. Subject to modification without prior notice.



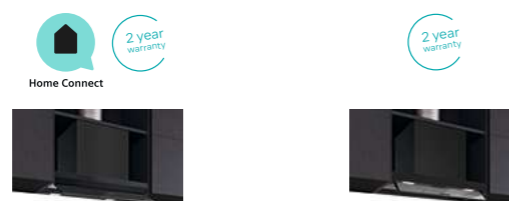
Integrated design hood specifications

Appliance type	90cm	80cm	80cm
Width	90cm	80cm	80cm
Design family	iQ 300	iQ 700	iQ 300
Model number	LJ95BCC60B	LJ88BET60B	LJ85BCC60B
Colour	Matt black	Matt black	Matt black
Glass panel	■	■	■
Special features			
Storage space	10kg each side	10kg each side	10kg each side
Home Connect	-	■	-
Adjustable Colour Temperature/Brightness LED	-	■	-
Intelligent hood automatic with sensor	-	■	-
Intelligent Hood Automatic	-	-	-
cookConnect hob based hood control	-	■	-
Favourite Button	-	■	-
iQdrive	-	■	-
Intensive setting / Automatic intensive revert ¹	-	■ / ■	-
Filter Saturation Indicator	-	■	-
Features			
Suitable for ducted / recirculating operation ²	■ / ■	■ / ■	■ / ■
Power levels	3	3 + 2 intensive	3
Automatic after running (minutes)	-	10	-
Lighting	2 x LED lights	2 x LED lights	2 x LED lights
Type of control	Push button control	Glass Panel with touchControl	Push button control
Performance / technical information			
Energy rating	B	A+	B
Appliance width (mm)	898	798	798
Extraction rate in m ³ /h ^{3,4}			
Power level 3 – ducted / recirculating	583 / 521	427 / 414	583 / 521
Intensive level 1 – ducted / recirculating	- / -	693 / 584	- / -
Intensive level 2 – ducted / recirculating	- / -	851 / 656	- / -
Noise level (sound power) based on dB [A] re 1pW ^{5,5}			
Power level 3 – ducted / recirculating	65 / 72	57 / 66	65 / 72
Intensive level 1 – ducted / recirculating	- / -	69 / 73	- / -
Intensive level 2 – ducted / recirculating	- / -	73 / 76	- / -
Pipe outlet diameter (mm)	150 / 120	150 / 120	150 / 120
Minimum distance above an electric / gas hob ⁶ (mm)	430 / 650	430 / 650	430 / 650
GB plug	■	■	■

■ Yes, model has this feature. – Feature not available for this model.
¹Power automatically reverts back to normal setting after intensive.
²A type of recirculating kit is required if recirculating.
³Air Flow and noise declarations made in line with CECEC Code of Conduct.
⁴Measured according to EN61591 on largest pipe diameter.
⁵Sound power measured according to EN60704-3 on largest pipe diameter.
⁶From top of pan supports. Depending on the model, a 'Recirculating odour filter kit' will consist of the following items: Charcoal filter, flexible hose, air duct, fixing components, installation instructions.
Data valid in this table as of April 2026. Subject to modification without prior notice.

Hood accessories

for box chimney and integrated design hoods



Integrated design hood specifications

Appliance type	Integrated design hoods	
Width	60cm	60cm
Design family	iQ700	iQ300
Model number	LJ68BET60B	LJ658CC60B
Colour	Matt black	Matt black
Glass panel	■	■
Special features		
Storage space	10kg each side	10kg each side
Home Connect	■	-
Adjustable Colour Temperature/Brightness LED	■	-
Intelligent hood automatic with sensor	■	-
Intelligent Hood Automatic	-	-
cookConnect hob based hood control	■	-
Favourite Button	■	-
iQdrive	■	-
Intensive setting / Automatic intensive revert ¹	■ / ■	-
Filter Saturation Indicator	■	-
Features		
Suitable for ducted / recirculating operation ²	■ / ■	■ / ■
Power levels	3 + 2 intensive	3
Automatic after running (minutes)	10	-
Lighting	2 x LED lights	2 x LED lights
Type of control	Glass Panel with touchControl	Push button control
Performance / technical information		
Energy rating	A+	B
Appliance width (mm)	598	598
Extraction rate in m³/h^{3,4}		
Power level 3 – ducted / recirculating	427 / 414	583 / 521
Intensive level 1 – ducted / recirculating	693 / 584	- / -
Intensive level 2 – ducted / recirculating	851 / 656	- / -
Noise level (sound power) based on dB [A] re 1pW^{1,5}		
Power level 3 – ducted / recirculating	57 / 66	65 / 72
Intensive level 1 – ducted / recirculating	69 / 73	- / -
Intensive level 2 – ducted / recirculating	73 / 76	- / -
Pipe outlet diameter (mm)	150 / 120	150 / 120
Minimum distance above an electric / gas hob ⁶ (mm)	430 / 650	430 / 650
GB plug	■	■

■ Yes, model has this feature. – Feature not available for this model.

¹Power automatically reverts back to normal setting after intensive.

²A type of recirculating kit is required if recirculating.

³Air Flow and noise declarations made in line with CECEC Code of Conduct.

⁴Measured according to EN61591 on largest pipe diameter.

⁵Sound power measured according to EN60704-3 on largest pipe diameter.

⁶From top of pan supports. Depending on the model, a 'Recirculating odour filter kit' will consist of the following items: Charcoal filter, flexible hose, air duct, fixing components, installation instructions.

Data valid in this table as of April 2026. Subject to modification without prior notice.

Chimney extensions

For taller kitchen cabinets, 90cm and above, you can add a chimney extension to your integrated design hood. This keeps your hood aligned with your cabinetry for a clean, modern look.



LZ11IBN62 Short chimney extension

Height: 187-360mm
Black
All model series

LZ11BK62 Long chimney extension

Height: 450-854mm
Black
All model series

Recirculation kits

Enjoy clean fresh air without external ducting. With our activated carbon filter, airflow guides, and easy-to-fit parts, Siemens recirculation kits transform your hood into an efficient, duct-free solution for modern kitchens.



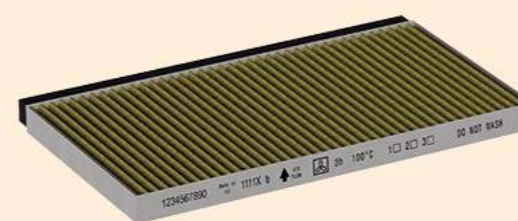
LZ11BI16 Recirculation kit
Suitable for iQ300 models

LZ11BJ16 Recirculation kit
Suitable for iQ700 models

Filter

Available as an accessory, this new and improved activated carbon filter eliminates odours, including strong fish odours, and reduces airborne particles such as pollen and allergens. Refresh it in the oven up to three times and keep your hood performing at its best for up to four years.

The Long-life Clean Air filter is sold separately. Perfect for when you need to replace an old one. This replacement filter is only available through customer service.



LZ11BB16 Long-life Clean Air Filter



Canopy hoods



iQ500 LB87NAC60B

Canopy hood
Black

86cm



Canopy hood specifications

Canopy hood specifications	
Appliance type	Canopy hood
Width	86cm
Design family	iQ500
Model number	LB87NAC60B
Colour	Black
Key features	
Intensive setting / Automatic intensive revert ¹	■ / ■
Features	
Suitable for ducted / recirculating operation ²	■ / ■
Type of control	Push button control
Power levels	3 + 1 intensive
Lighting	2 x LED lights
Number of metal grease filter cassettes	2
Performance / technical information	
Energy rating	B
Appliance width (mm)	860
Extraction rate in m³/h ^{3,4}	
- ducted / recirculating at power level 3	595 / 580
- ducted / recirculating at power level 4 or intensive setting 1	730 / 705
Noise level (sound power) based on dB [A] re 1pW ^{5,5}	
- ducted / recirculating at power level 3	63 / 77
- ducted / recirculating at power level 4 or intensive setting 1	68 / 73
Pipe outlet diameter (mm)	150 / 120
Minimum distance above an electric / gas hob ⁶ (mm)	500 / 650
GB plug	■
Performance / technical information	
Standard recirculation kit	LZ55750
cleanAir Plus recirculation kit	LZ11XC16

■ Yes, model has this feature. – Feature not available for this model.

¹Power automatically reverts back to normal setting after intensive.

²A type of recirculating kit is required if recirculating.

³Air Flow and noise declarations made in line with CECEC Code of Conduct.

⁴Measured according to EN61591 on largest pipe diameter.

⁵Sound power measured according to EN60704-3 on largest pipe diameter.

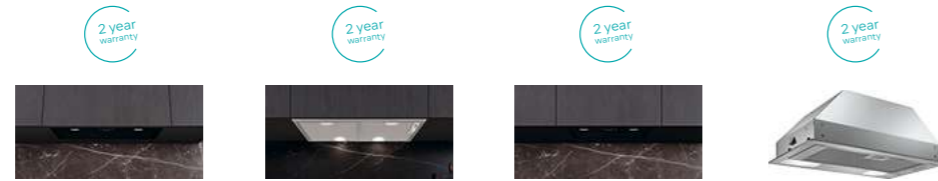
⁶From top of pan supports. Depending on the model, a 'Recirculating odour filter kit' will consist of the following items: Charcoal filter, flexible hose, air duct, fixing components, installation instructions.

Data valid in this table as of April 2026. Subject to modification without prior notice.



Model shown: LB87NAC60B canopy hood

Canopy hood specifications



Appliance type	Canopy hoods			
Width	70cm	73cm	52cm	53cm
Design family	iQ500	iQ300	iQ500	iQ100
Model number	LB77NAC60B	LB75566GB	LB56NAC60B	LB53NAA30B
Colour	Black	Silver metallic lacquer	Black	Silver metallic lacquer
Key features				
Intensive setting / Automatic intensive revert ¹	■ / ■	- / -	■ / ■	- / -
Features				
Suitable for ducted / recirculating operation ²	■ / ■	■ / ■	■ / ■	■ / ■
Type of control	Push button control	Slider switch	Push button control	Push button control
Power levels	3 + 1 intensive	3	3 + 1 intensive	3
Lighting	2 x LED lights	2 x LED lights	2 x LED lights	2 x LED lights
Number of metal grease filter cassettes	2	2	1	1
Performance / technical information				
Energy rating	B	D	B	D
Appliance width (mm)	700	730	520	534
Extraction rate in m³/h ^{3,4}				
- ducted / recirculating at power level 3	595 / 580	468 / 281	570 / 560	302 / 300
- ducted / recirculating at power level 4 or intensive setting 1	730 / 705	614 / 324	645 / 628	- / -
Noise level (sound power) based on dB [A] re 1pW ^{3,5}				
- ducted / recirculating at power level 3	63 / 77	63 / 70	66 / 69	62 / 65
- ducted / recirculating at power level 4 or intensive setting 1	68 / 73	68 / 73	68 / 72	- / -
Pipe outlet diameter (mm)	150 / 120	150	150 / 120	120
Minimum distance above an electric / gas hob ⁶ (mm)	500 / 650	650 / 650	500 / 650	550/650
GB plug	■	■	■	■
Performance / technical information				
Standard recirculation kit	LZ55750	-	LZ55750	-
cleanAir Plus recirculation kit	LZ11XC16	-	LZ11XC16	-

■ Yes, model has this feature. - Feature not available for this model.
¹Power automatically reverts back to normal setting after intensive.
²A type of recirculating kit is required if recirculating.
³Air Flow and noise declarations made in line with CECEC Code of Conduct.
⁴Measured according to EN61591 on largest pipe diameter.
⁵Sound power measured according to EN60704-3 on largest pipe diameter.
⁶From top of pan supports. Depending on the model, a 'Recirculating odour filter kit' will consist of the following items: Charcoal filter, flexible hose, air duct, fixing components, installation instructions.
Data valid in this table as of April 2026. Subject to modification without prior notice.

Telescopic hoods

iQ300 LI94MA531B
 Telescopic extractor hood
Metallic silver **90cm**



Telescopic hood specifications

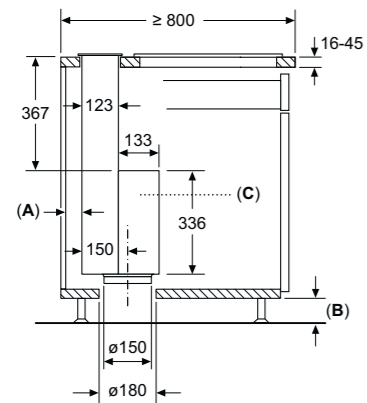
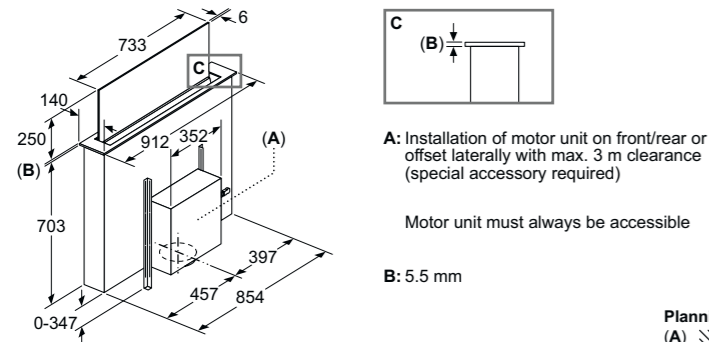
Appliance type	Telescopic hoods	
Width	90cm	60cm
Design family	iQ300	iQ300
Model number	LI94MA531B	LI64MA531B
Colour	Silver metallic lacquer	Silver metallic lacquer
Key features		
iQdrive®	■	■
Intensive setting / Automatic intensive revert ¹	■ / ■	■ / ■
Features		
Suitable for ducted / recirculating operation ²	■ / ■	■ / ■
Furniture door required	■	■
Automatic after running (minutes)	10	10
Lighting	3 x LED	2 x LED
Controls	Soft touch	Soft touch
Power levels	3 + 1 intensive	3 + 1 intensive
Performance / technical information		
Energy rating	A	A
Appliance width (mm)	898	598
Extraction rate in m³/h ^{3,4}		
- ducted / recirculating at power level 3	266 / 263	268 / 263
- ducted / recirculating, intensive level 1	412 / 353	400 / 353
Noise level (sound power) based on dB [A] re 1pW ^{3,5}		
- ducted / recirculating at power level 3	63 / 64	62 / 64
- ducted / recirculating, intensive level 1	70 / 68	69 / 68
Pipe outlet diameter (mm)	150 / 120	150 / 120
Minimum distance above an electric / gas hob ⁶ (mm)	430 / 650	430 / 650
GB plug	■	■

■ Yes, model has this feature. - Feature not available for this model.
¹Power automatically reverts back to normal setting after intensive.
²A type of recirculating kit is required if recirculating.
³Air Flow and noise declarations made in line with CECEC Code of Conduct.
⁴Measured according to EN61591 on largest pipe diameter.
⁵Sound power measured according to EN60704-3 on largest pipe diameter.
⁶From top of pan supports. Depending on the model, a 'Recirculating odour filter kit' will consist of the following items: Charcoal filter, flexible hose, air duct, fixing components, installation instructions.
Data valid in this table as of April 2026. Subject to modification without prior notice.

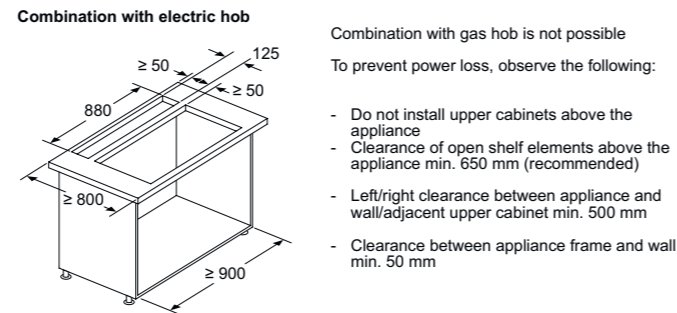
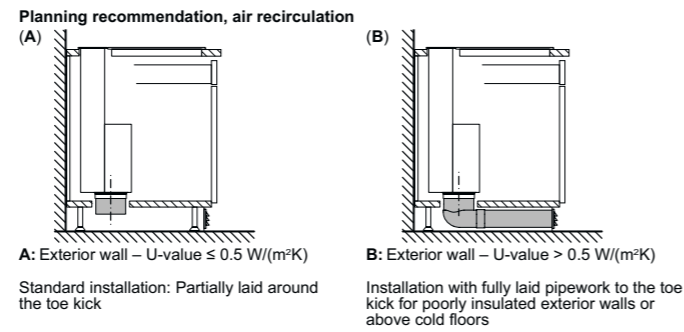
Hood technical diagrams

glassdraftAir hood LD98WMM60B

Technical diagrams for seamless installation can be found online at siemens-home.bsh-group.com/uk

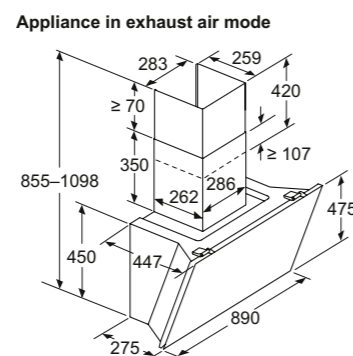
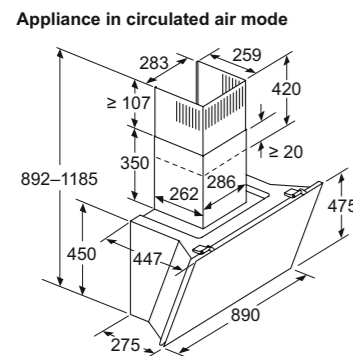


- A:** ≥ 20 mm between the Guided Air suction area and a cabinet wall
- B:** ≥ 60 mm for air recirculation
- ≥ 100 mm for air extraction with ducting in the plinth
- C:** Motor unit must always be accessible



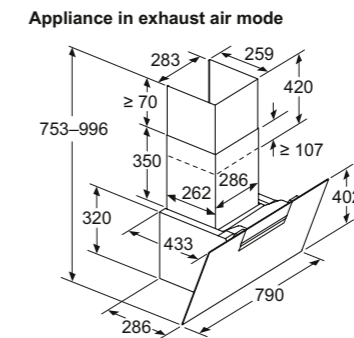
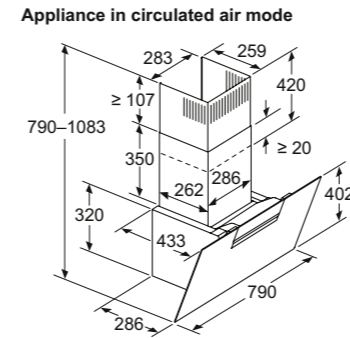
Angled chimney hood LC91KLT60B

Full technical diagrams showing the wall installation can be found online at siemens-home.bsh-group.com/uk



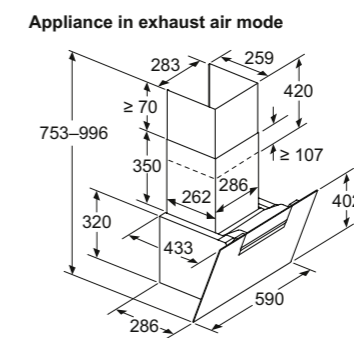
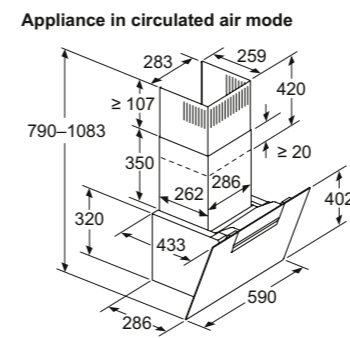
Angled chimney hoods LC87KFN60B

Full technical diagrams showing the wall installation can be found online at siemens-home.bsh-group.com/uk



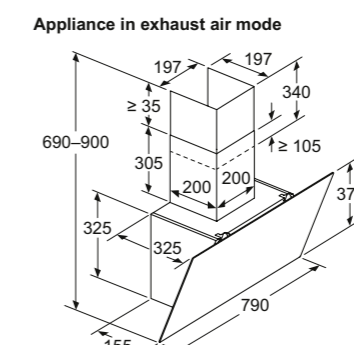
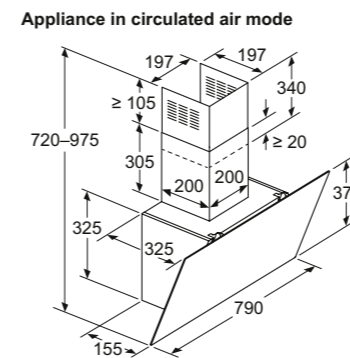
Angled chimney hoods LC67KFN60B

Full technical diagrams showing the wall installation can be found online at siemens-home.bsh-group.com/uk



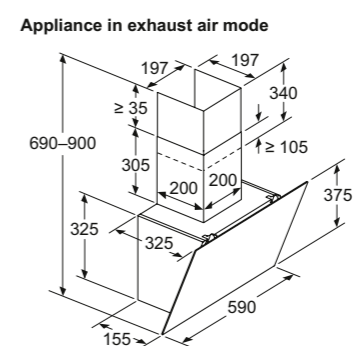
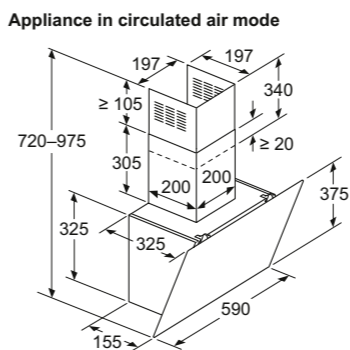
Angled chimney hoods LC85KDK60B

Full technical diagrams for showing wall installation can be found online at siemens-home.bsh-group.com/uk



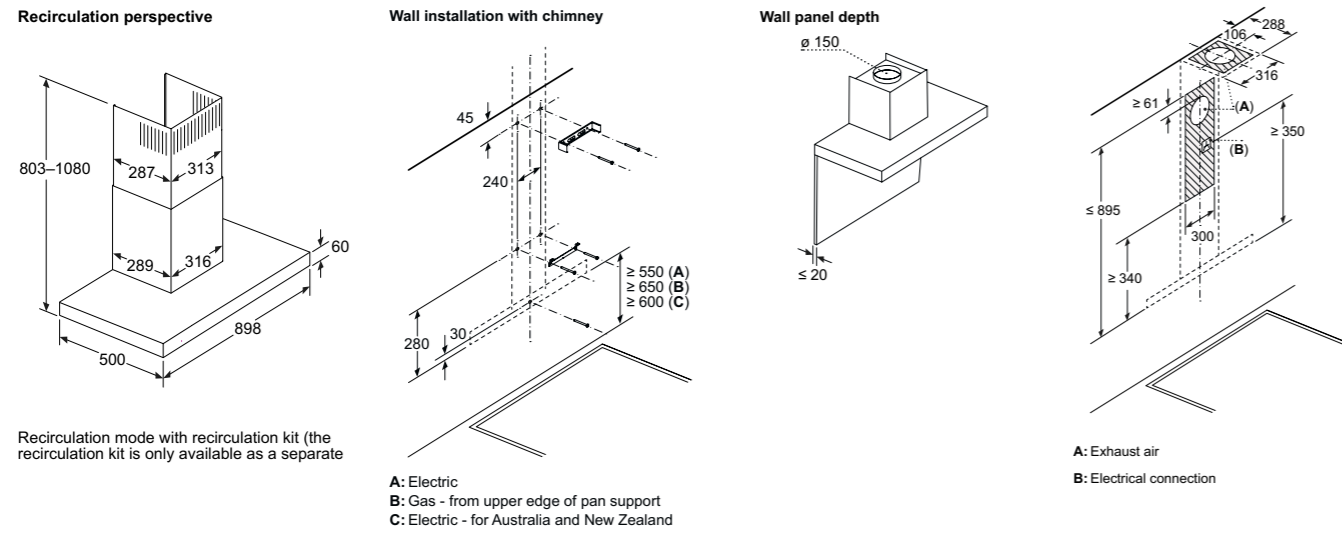
Angled chimney hoods LC65KDK60B

Full technical diagrams for showing wall installation can be found online at siemens-home.bsh-group.com/uk

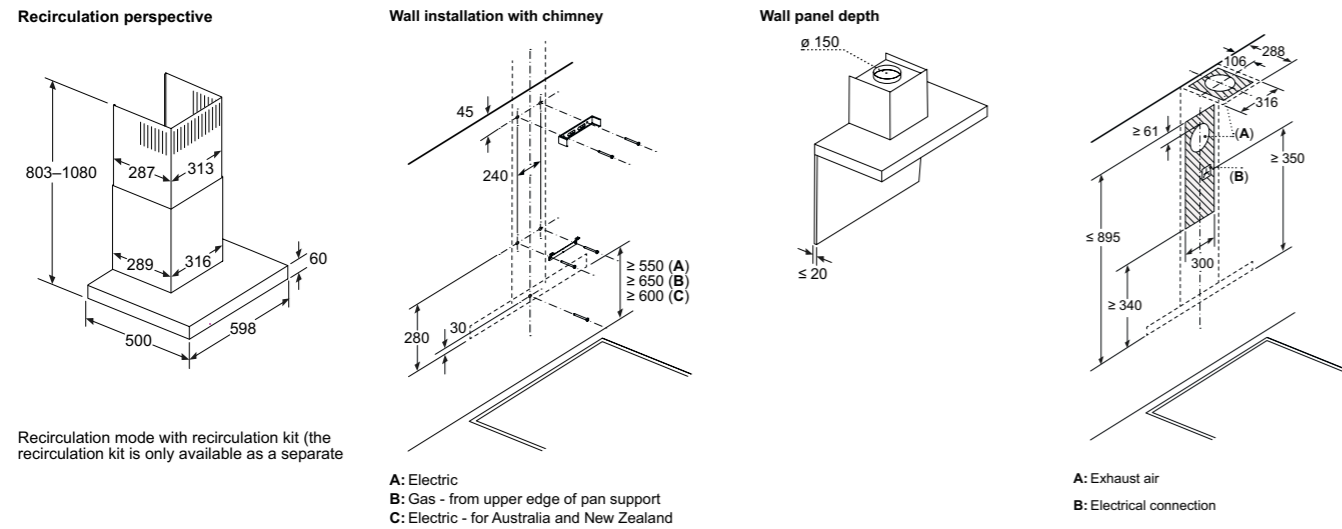


Hood technical diagrams

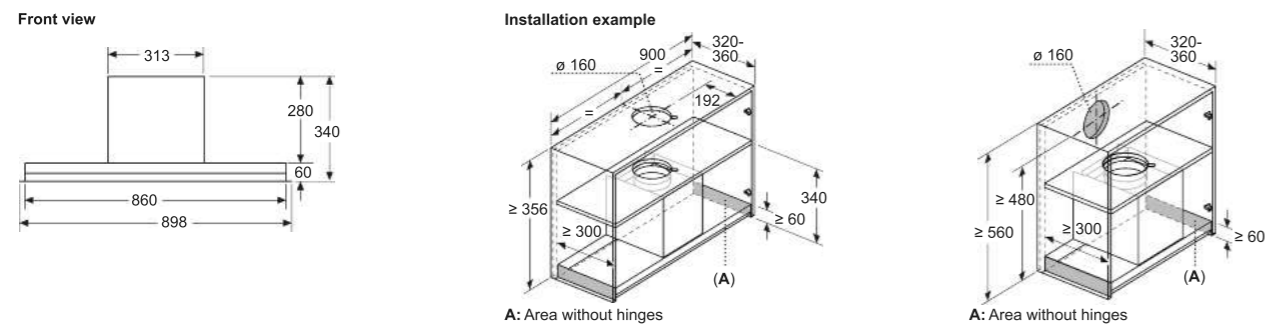
Box chimney hoods LC97BDN60B and LC95BCC60B



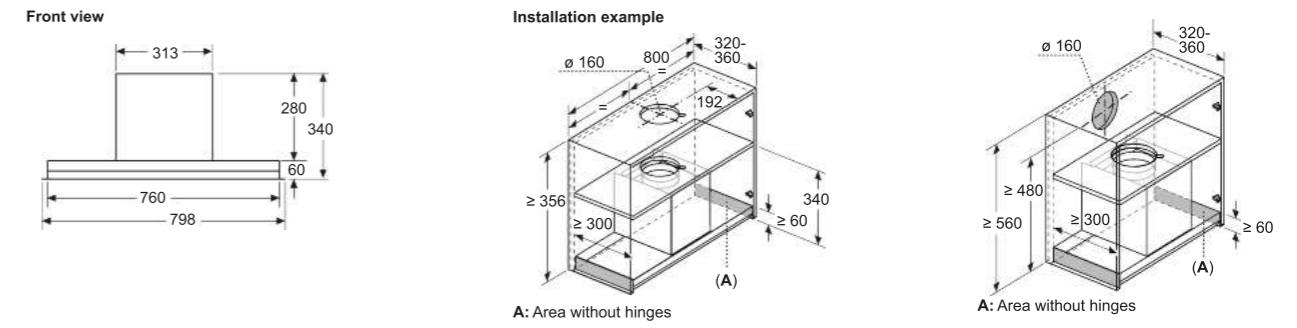
Box chimney hoods LC67BDN60B and LC65BCC60B



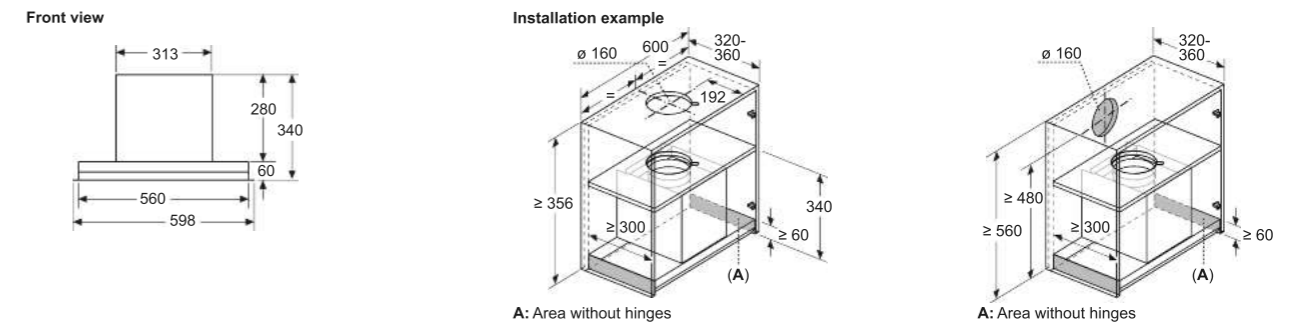
Integrated design hoods LJ98BET60B and LJ95BCC60B



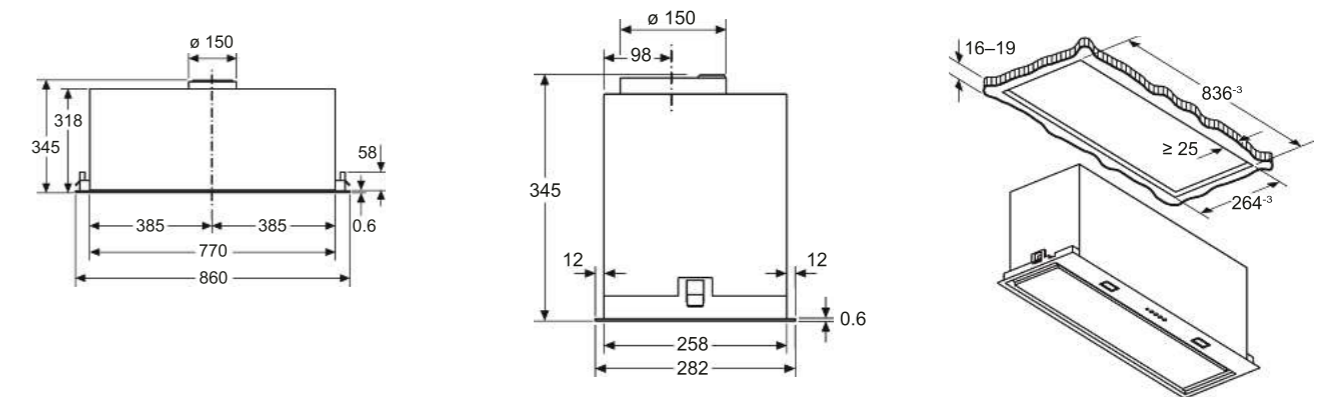
Integrated design hoods LJ88BET60B and LJ85BCC60B



Integrated design hoods LJ68BET60B and LJ55BCC60B

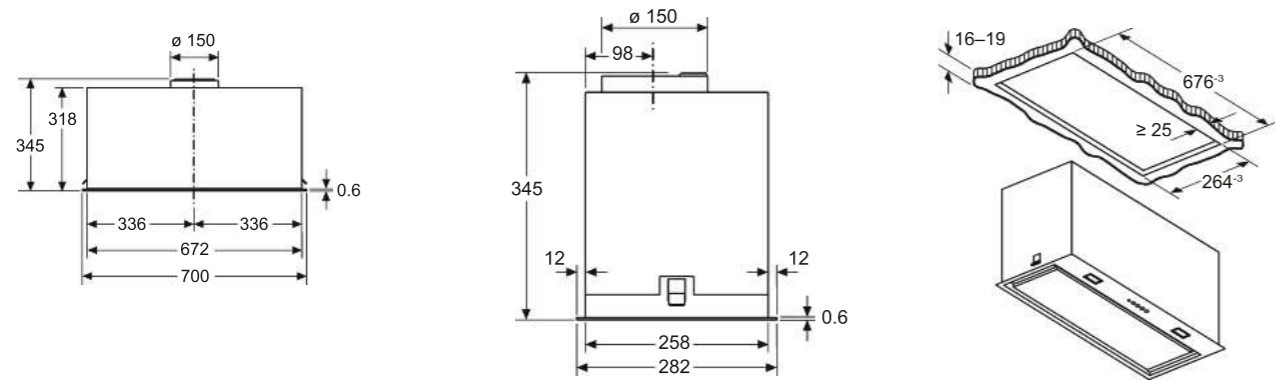


Canopy hood LB87NAC60B

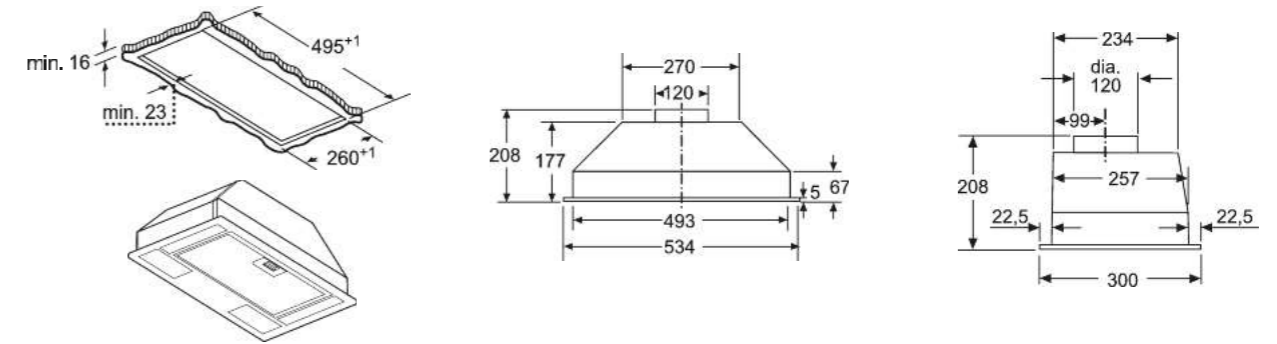


Hood technical diagrams

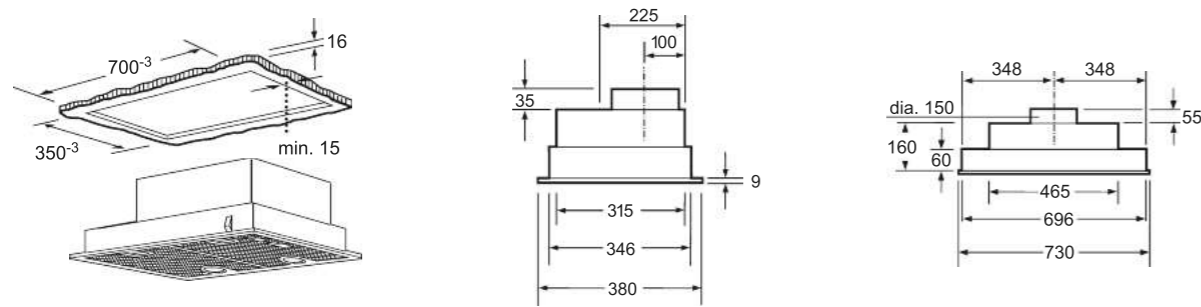
Canopy hoods LB77NAC60B



Canopy hood LB53NAA30B

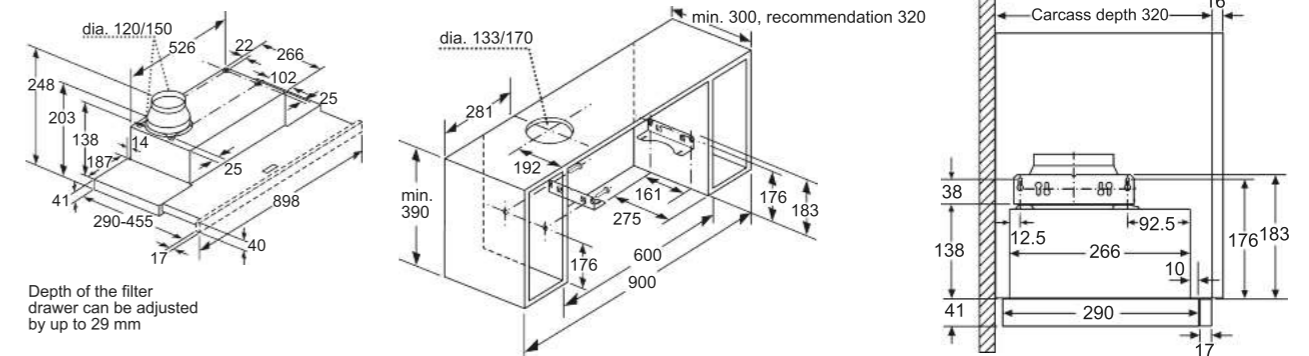


Canopy hood LB75566GB

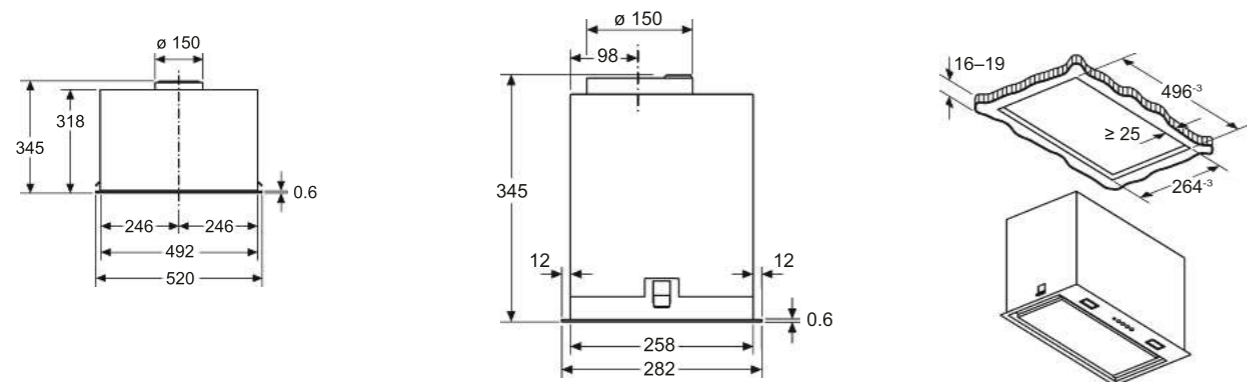


Telescopic hood LI94MA531B

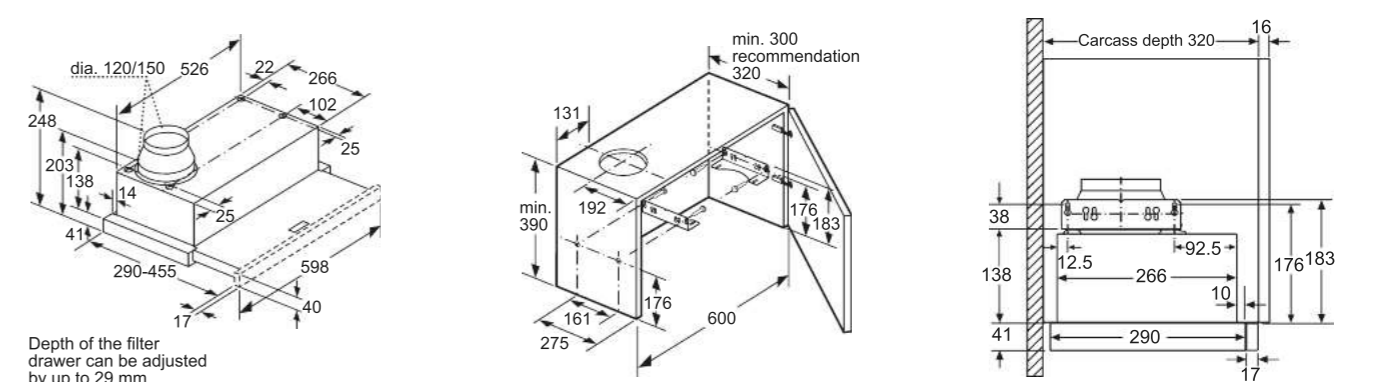
For installing the 90cm telescopic hood in a 90cm wide wall-hanging cupboard, a special wall-hanging cupboard from the kitchen unit manufacturer is required.



Canopy hood LB56NAC60B



Telescopic hood LI64MA531B



Intelligent cooling appliances for long lasting freshness

Siemens built-in cooling appliances provide the ultimate way to store food flexibly and correctly for optimum freshness.

From our smallest built-in fridge to our most impressive, each appliance brings more freshness and convenience. Siemens cooling appliances offer combinations for every individual requirement, taste and kitchen design. Siemens built-in fridges, freezers and wine coolers come in a wide range of models offering full flexibility when planning a kitchen.



Model shown: K186NADD0 fridge freezer

Built-in
Cooling

Siemens built-in cooling warranties:



5 year warranty

A five year warranty is available on selected built-in cooling appliances listed in this brochure to protect against manufacturing and material faults during this warranty period.

*Offer dates: 01.04.26 – 31.03.27. Online registration required. For full T&Cs and qualifying appliances visit [siemens-home.bsh-group.com/uk/customer-service/siemens-warranties](https://www.siemens-home.bsh-group.com/uk/customer-service/siemens-warranties)



2 Year warranty

All Siemens built-in cooling appliances listed in this brochure have a two year manufacturer's warranty as standard to protect against manufacturing or material faults.



Compressor Drive 10 Year Warranty

Available on selected Siemens built-in fridges and fridge freezers, this warranty covers defects in the compressor motor.

To find out more about warranty and for registration, please visit:
UK: [siemens-home.bsh-group.com/uk/customer-service/siemens-warranties](https://www.siemens-home.bsh-group.com/uk/customer-service/siemens-warranties)
IE: [siemens-home.bsh-group.com/ie/customer-service/warranty](https://www.siemens-home.bsh-group.com/ie/customer-service/warranty)

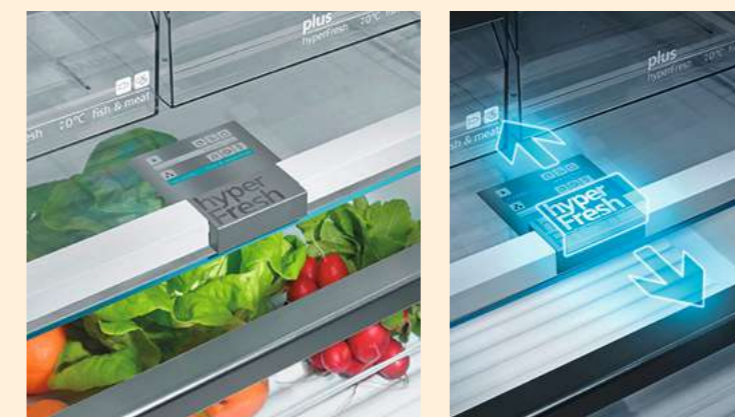
Keep food fresh for longer



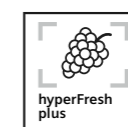
Model shown: K181FHOD0 hyperFresh premium

hyperFresh technology:

Set the right conditions to ensure food stays fresh for longer: hyperFresh humidity drawers and near 0°C chiller drawers.



Freshness controlled: hyperFresh
The stylish hyperFresh control panel enables simple adjustment to the humidity in the fridge. The hyperFresh drawer with rippled base allows cool air to easily circulate around fruits and vegetables. As a result, the quality and freshness of food will be retained.



Shelf life maximised: hyperFresh Plus
The hyperFresh Plus drawer does not just store food, it provides the right conditions to keep ingredients fresh for longer. Whether it is being used for storing fruits or vegetables, it will increase shelf life and reduce food wastage. Simply switch between the 2 control settings, and the humidity will be adjusted for optimum storage of the food.



Food stays fresh for longer: hyperFresh Premium
With a choice of 3 humidity controls, simply select between storing fruits, vegetables, or both. The hyperFresh Premium drawer will regulate how much humidity the food receives. These innovative drawers help to keep in nutrients and minerals to create delicious meals and fewer trips to the supermarkets, saving time, effort and money. hyperFresh Premium is available in selected Siemens single door fridges only.

hyperFresh near 0°C chiller drawers. Perfectly fresh for fish and meat:
hyperFresh and hyperFresh Plus models: The two hyperFresh near 0°C chiller drawers are specially designed for the storage needs of fish and meat. Keep them fresher in ideal conditions near 0°C to retain the vitamins and minerals for longer. With two separate compartments the transfer of unpleasant smells will be avoided.

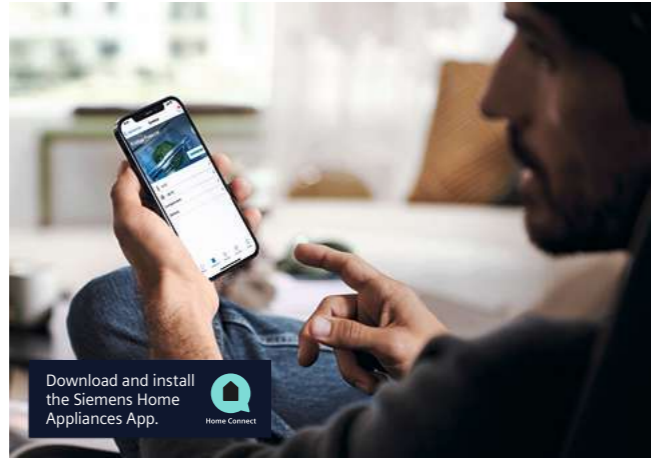
hyperFresh Premium models: These variants come complete with a larger full-length near 0°C chiller drawer, where fish and meat are stored at the perfect temperature.

Explore more cooling features

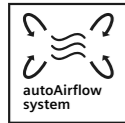
Experience intelligent cool with Siemens Home Connect.

Smart fridges

Using the Siemens Home Appliances App, the temperature of the fridge can be adjusted, or superCool can be turned on while on the way home from the food shop. It is even possible to turn on holiday mode from anywhere, to save energy where required. The app sends useful push notifications when there has been a significant temperature change in the fridge, or if the door has been left open, minimising the risk of food waste.

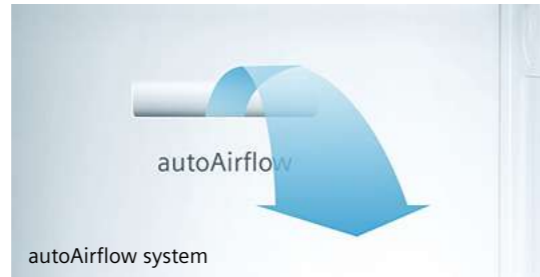


Optimised cooling.



autoAirflow system

This system works with the electronics to optimise the air circulation within the fridge and freezer compartments to ensure even cooling throughout the appliance. This means however groceries are organised, they will be cooled quickly. The back wall of the appliance has open vents which work with the cooling circuit to draw cold air into each compartment.

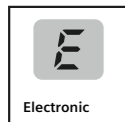


Model shown: K186NADD0 fridge freezer

Type of control.



Interior LCD display



At the touch of a button, the in-door LCD display offers precision control to allow the optimum temperature for food to be maintained easily. This in turn helps to keep food fresh for longer.

LED Light.



LED light

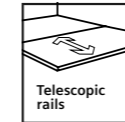


The new integrated long-lasting LED lights available on most of our range fit flush in the side walls or ceiling and illuminate the interior uniformly.

Suitable storage solutions for all needs.



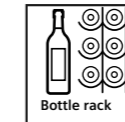
Telescopic rails



Ergonomically ideal access
Fully-retractable drawers on telescopic rails create an easy access shelving zone. This makes it easy to pull the drawers out further, providing a better overview of all food items and making them easier to remove.



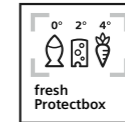
Bottle rack



Bottle rack
Available on some models, the perfect place to store wine of all varieties and make the best use of fridge space. The wavyshaped bottle rack can be positioned in a variety of places and safely stores bottles without them rolling back and forth.



freshProtectbox



freshProtectbox
Provides the optimum temperature for individual foods, allowing them to stay fresher for longer. This in turn helps reduce waste and trips to the supermarket – saving time and money.

Freezer features

With noFrost technology, the freezer no longer needs to be defrosted manually.



Total noFrost

With Siemens Total noFrost, the chore of manual defrosting is a thing of the past. Our intelligent air circulation system constantly removes humidity from the freezer compartment, preventing the formation of ice that can compromise food quality and energy efficiency. This ensures optimal storage conditions, with food remaining free from ice crystals and perfectly preserved, all without ever needing to intervene. It's effortless convenience, engineered for modern life.



noFrost

Defrosting the freezer is now done automatically. Siemens freezers are equipped with intelligent sensor-controlled technology to save the chore of defrosting the freezer. An air-circulation system guides the humidity to the outside of the refrigerator into an external evaporation tray, and sensors measure the degree of humidity and any frost production – ensuring the appliance is periodically defrosted without the need to turn it off or empty it out. Also, ice no longer forms on the inside of the refrigerator, and the appliance's energy consumption remains consistently low.



lowFrost

For those models that come with lowFrost, life is still made easier. lowFrost reduces the build-up of frost by up to 50%, so there is no need to defrost the freezer as often – only once every 3 to 4 years. Designed to save time and provide added convenience so time can be spent doing enjoyable activities, not defrosting the freezer.

Storage made easy with bigBox.



Big enough for a busy lifestyle, the bigBox has the capacity for storing whole frozen turkeys, as well as the height to hold dessert glasses upright. Ideal for the holidays and entertaining.

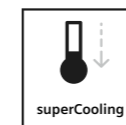


Other useful freezer features.



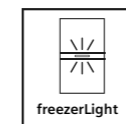
superFreezing function

superFreezing makes sure that warmer food added to the freezer does not raise the freezer temperature, stopping food partially defrosting.



superCooling

The superCooling button can be used to quickly reduce the temperature in the refrigerator to +2 °C. This prevents any undesirable rises in the temperature of already chilled food whenever new food is added which is not as cold.



freezerLight

Our special LED freezerLight makes it possible to get the perfect overview of the freezer compartment by providing light to the whole area.



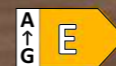
iceTwister

Simply activate the iceTwister and receive up to 20 ice cubes at once right away. The water tank is very easy to remove for reliable refilling.



iceDispenser

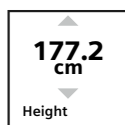
Models with this feature are able to dispense ice when needed thanks to a plumbed water connection. Depending on model, ice is available as cubes or crushed.



Model shown: GI81NHCE0 freezer

Create combinations to fit every lifestyle

Our built-in cooling appliances come in a wide range of heights and widths to create the perfect combination for the kitchen.



Height and width

Our built-in cooling appliances are available in a range of heights and widths to fit within a variation of kitchen designs and available spaces.

Height and width:

All dimensions are shown as Height x Width.

Multi Door / American Style

Model shown: **KF96DPXEA**



183.0 x 90.5cm (freestanding)

Fridge freezers

Model shown: **KI86NADD0**



177.2 x 55.8cm
177.2 x 54.1cm
193.5 x 70.8cm
193.5 x 55.8cm
193.5 x 54.1cm

Single Door Fridges

Model shown: **KI81RADD0G**



177.2 x 55.8cm
177.2 x 54.1cm
82 x 59.8cm

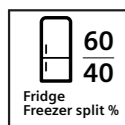
Single Door Freezers

Model shown: **GI81NHCE0**



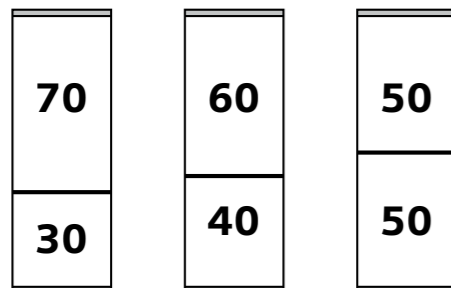
177.2 x 55.8cm
82 x 59.8cm

Fridge freezer split options:



Fridge freezer split %

Our range of fridge freezers are available in a variety of sizes with different splits of fridge areas and freezer areas. Alternatively, a bespoke split can be created using separate fridge and freezer units stacked or paired side-by-side.



Flexible shelves and door racks.

Enjoy convenience with easyLift shelves. Even when full, the shelves can be raised or lowered by 6cm to make room for taller items – ideal for serving jugs. Our easyLift door trays are also great for large bottles in the fridge door, the shelf can be adjusted to meet the flexible requirements of individual lifestyles.



modularFit cooling appliances for flexible design.

Siemens modularFit appliances are freely combinable.

A kitchen should match the household's lifestyle. That is why our single door cooling and freezing appliances can be combined perfectly for individual requirements and taste. With unique and innovative cooling technologies the appliances can even enrich everyday life. Siemens modularFit appliances come with exciting innovations like hyperFresh and noFrost technology. The simple installation as well as an energy efficiency category offers maximum flexibility and freshness.

Combine cooling and freezing appliances in any way with modularFit.

Thanks to the anti-condensation technology, it is possible to install cooling and freezing appliances next to each other in multiple different layouts. The innovative technology prevents the build-up of moisture between the appliances, keeping everything fresh and clean.

Models that can sit side-by-side:

Built-in Fridges

KI81RADD0G
KI81RVFE0G
KI81RNSE0G

Built-in Freezers

GI81NHCE0
GI81NVEE0G



Side-by-side example for illustrative purposes

Choosing the right hinge: fixed and sliding.

Siemens built-in cooling appliances are available with specific types of hinges that either aid the installation and design of the kitchen or can be matched for replacement appliances.



Fixed hinge

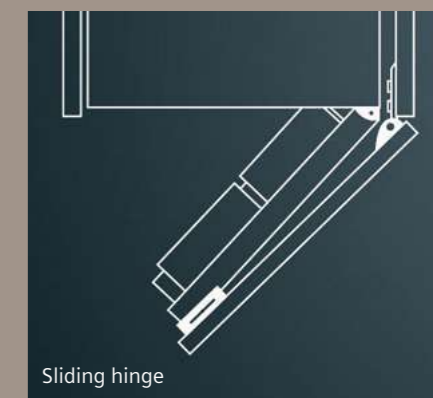
Fixed hinge

A fixed hinge means that the furniture door is mounted to the appliance door. Advantages of a fixed hinge mean that we can offer softClosing doors that automatically close at an angle of approx 15°-20° preventing the door from accidentally being left open. The installation also offers better access to the appliance interior and due to the optimised width, higher energy efficiency with competitive volume.

They are thoroughly tested to withstand constant opening and closing. The softClose door retracts effortlessly and creates minimal noise. In addition to aesthetics, a softClose door ensures that items within the fridge are not disturbed from a heavy impact, meaning no spills to clean.

Sliding hinge

A sliding hinge means that the furniture door is mounted at the kitchen cabinet body as well as a sliding rail to connect the fridge and furniture door.



Sliding hinge



Impactful design and performance: scalable refrigeration solution.

For the ultimate statement in kitchen design, the Siemens KB96NADD1 integrated XXL fridge-freezer can be seamlessly installed in a side-by-side configuration. This pairing creates a striking, architectural centerpiece, transforming the kitchen space with its bold presence.

Beyond the impressive aesthetics, this dual installation offers an unparalleled volume of intelligent, flexible storage, accommodating everything from daily essentials to provisions for grand-scale entertaining.

It's a solution engineered for those who refuse to compromise on either visionary design or expansive capacity.



Models shown:
KB96NADD1 fridge freezer (left-hinged and right-hinged)

Room to fit any lifestyle

Standard
KI86NADD0

XL
KI96NNSE0

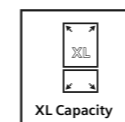
XXL
KB96NADD1



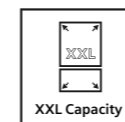
+11%*

+45%*

The Siemens integrated XL and XXL fridge freezers.



A perfect blend of increased capacity, freshness and flexibility that seamlessly fit into any kitchen design. With our innovative appliances, consumers can enjoy more room to store all their fresh food and ingredients, with a cooling space that adapts to their needs.



Gone are the days of constantly rearranging everything to fit in groceries. Our combinations of fridge, freezer, and door compartments provide consumers with the perfect organisation system, allowing them to store food and beverages for large parties or everyday meals without any hassle. Our XL models offer 11% more capacity compared to the standard fridge freezer, while the larger XXL models offer an impressive 45% more capacity.

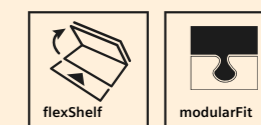
But it is not just about capacity. Our integrated fridge freezers are designed to seamlessly blend into the kitchen, while boasting sleek modern design when opened, adding style and sophistication to any kitchen.



Scan to view how to install Siemens XL and XXL appliances


Increased flexibility, better storage options.

The design interior allows for maximum flexibility. The modularFit feature gives the freedom to position the fridge and the freezer according to preference, creating a customised and convenient kitchen setup. The flexShelf gives even more storage freedom with the option to fold the shelf completely against the back wall to use all the space or slide the front part of the flexShelf under the back part and use the other half for smaller items.








Cooling product overview

Built-in fridge freezer range

		60/40 split	
Product type		XL & XXL Fridge freezers	
		1935mm height	
Fridge freezer	708mm width	 <p>KB96NADD1 ● 500 • 382 litre capacity • 708mm width • 548mm depth • 2 hyperFresh drawers • noFrost</p>	 <p>KB96NNSE0 ● 100 • 383 litre capacity • 691mm width • 548mm depth • 1 hyperFresh drawer • noFrost</p>
	558mm width	 <p>KI96NVFD0 ● 300 • 290 litre capacity • 558mm width • 548mm depth • 2 hyperFresh drawers • noFrost</p>	
	541mm width	 <p>KI96NNSE0 ● 100 • 290 litre capacity • 541mm width • 548mm depth • noFrost</p>	



Home Connect

		60/40 split	70/30 split	50/50 split
		Fridge freezers		
		1772mm height		
		 <p>KI86NADD0 ● 500 • 260 litre capacity • 558mm width • 548mm depth • 2 hyperFresh drawer • noFrost</p>		
		 <p>KI86NVFE0G ● 300 • 260 litre capacity • 541mm width • 548mm depth • 2 hyperFresh drawers • noFrost</p>	 <p>KI86NVSE0G ● 300 • 260 litre capacity • 541mm width • 548mm depth • 2 hyperFresh drawers • noFrost</p>	 <p>KI87VNSE0G ● 100 • 270 litre capacity • 541mm width • 548mm depth • lowFrost</p>
				 <p>KI85NNFE0G ● 100 • 249 litre capacity • 541mm width • 548mm depth • noFrost</p>

Cooling product overview





Home Connect

Built-in single door fridge range

Product Type	Single door fridges	
	1772mm height	
Single door fridges	 <p>KI81RADD0G I 500 • 310 litre capacity • 558mm width • 548mm depth • lowFrost</p> <p>5 year warranty</p>	
	 <p>KI81RNSE0G I 100 • 310 litre capacity • 541mm width • 548mm depth • lowFrost</p> <p>5 year warranty</p>	 <p>KI81RVFE0G I 300 • 310 litre capacity • 541mm width • 548mm depth • lowFrost</p> <p>5 year warranty</p>
	558mm width	541mm width




Built-in single door freezer range

Product Type	Single door freezers	
	1772mm height	
Single door freezers	 <p>GI81NHCE0G I 700 • 212 litre capacity • 558mm width • 545mm depth • softClose • noFrost</p> <p>5 year warranty</p>	 <p>GI81NVEE0G I 300 • 212 litre capacity • 558mm width • 545mm depth • noFrost</p> <p>5 year warranty</p>
	558mm width	541mm width




Cooling product overview



Built-under single door fridge and freezer range

Product Type	Single door fridges	
	820mm height	
Single door fridges	 <p>KU21RVFE0G IQ300 • 134 litre capacity • 598mm width • 548mm depth • lowFrost</p> <p>5 year warranty</p>	 <p>KU22LVFD0G IQ300 • 110 litre capacity fridge • 17 litre capacity freezer • 598mm width • 548mm depth • lowFrost</p> <p>5 year warranty</p>
	598mm width	
Product Type	Single door freezer	
	820mm height	
Single door freezers	 <p>GU21NVFE0G IQ300 • 85 litre capacity • 598mm width • 548mm depth</p> <p>5 year warranty</p>	

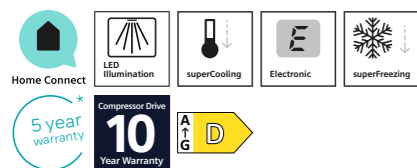
Wine cabinet range

Product Type	Built-in wine cabinets	
	1860mm height	818mm height
Built-in wine cabinets	 <p>KW36KATGA IQ500 • 370 litre capacity • 199 bottle capacity • 600mm wide • 610mm depth • 7°C to 19°C temperature range</p> <p>2 year warranty</p>	
	600mm width	
		 <p>KU21WAHG0G IQ500 • 120 litre capacity • 44 bottle capacity • 598mm width • 581mm depth • Reversible glass door • UV filter protection</p> <p>2 year warranty</p>
	598mm width	
		 <p>KU20WVHF0G IQ500 • 58 litre capacity • 21 bottle capacity • 298mm wide • 567mm depth • Reversible glass door • UV filter protection</p> <p>2 year warranty</p>
	298mm width	

Fridge freezers

iQ 500 KB96NADD1

noFrost bottom fridge freezer
193.5cm high



Built-in fridge freezer specifications

Appliance type	XXL noFrost bottom fridge freezer
Design family	iQ 500
Model number	KB96NADD1
Design features	
Fridge / Freezer split	60 / 40
noFrost	■
lowFrost or Manual defrost	-
softClose hinge	■
Type of hinge (reversible)	Fixed hinge
Home Connect	■
Food freshness system	
hyperFresh	2 x hyperFresh drawers
Key features – fridge section	
Light	LED
superCooling function	■
Type of control	Electronic
Number of shelves	5
Number of adjustable shelves	4
Number of door bins / shelves	4
Type of shelves	Safety glass
Temperature display	Digital LED
Warning signal door open	■
Bottle shelves in fridge	■
Key features – freezer section	
superFreezing function	■
Temperature adjustable in freezer	■
Number of ice cube trays	1
Number of freezer drawers	3
Additional information	
Energy efficiency class	A D
Energy consumption ¹ (kWh/annum)	204
Total net capacity (litres)	382
Refrigerator net capacity (litres)	284
Freezer net capacity (litres)	98
Climate class ²	SN-T
Noise level (dB [A] re 1pW)	33
Noise level class	B
Sabbath mode	■
10 Year Compressor Warranty	■
Additional accessories included	1 x ice cube tray 1 x bottle support
Height of product (mm)	1935
Width of product (mm)	708
Depth of product (mm)	548

■ Yes, model has this feature. – Feature not available for this model.

¹ Actual energy consumption will depend on how the appliance is used and where it is located.

² Climate zone SN = designed to operate in ambient temperature of +10°C to 32°C.

Climate zone T = designed to operate in ambient temperature of +18°C to 43°C.

Data valid in this table as of April 2026. Subject to modification without prior notice.

*5 year warranty - Offer dates: 01.04.26 – 31.03.27. T&C's apply. Online registration required.



Built-in fridge freezer specifications

Appliance type	XXL noFrost bottom fridge freezer	XL noFrost bottom fridge freezer	XL noFrost bottom fridge freezer
Design family	iQ 100	iQ 300	iQ 100
Model number	KB96NNSE0	K196NVFD0G	K196NNSE0
Design features			
Fridge / Freezer split	60 / 40	60 / 40	60 / 40
noFrost	■	■	■
lowFrost or Manual defrost	-	-	-
softClose hinge	-	-	-
Type of hinge (reversible)	Sliding hinge	Fixed hinge	Sliding hinge
Home Connect	■	-	-
Food freshness system			
hyperFresh	1 x hyperFresh drawer	2 x hyperFresh drawers	1 x vegetable box
Key features – fridge section			
Light	LED	LED	LED
superCooling function	■	■	■
Type of control	Electronic	Electronic	Electronic
Number of shelves	5	4	5
Number of adjustable shelves	4	3	4
Number of door bins / shelves	4	4	4
Type of shelves	Safety glass	Safety glass	Safety glass
Temperature display	Digital LED	Digital LED	Digital LED
Warning signal door open	■	■	■
Bottle shelves in fridge	-	■	-
Key features – freezer section			
superFreezing function	■	■	■
Temperature adjustable in freezer	■	■	■
Number of ice cube trays	1	1	1
Number of freezer drawers	3	3	3
Additional information			
Energy efficiency class	A E	A D	A E
Energy consumption ¹ (kWh/annum)	256	184	231
Total net capacity (litres)	383	290	290
Refrigerator net capacity (litres)	285	215	215
Freezer net capacity (litres)	98	75	75
Climate class ²	SN-ST	SN-ST	SN-ST
Noise level (dB [A] re 1pW)	34	34	34
Noise level class	B	B	B
Sabbath mode	■	■	■
10 Year Compressor Warranty	■	■	■
Additional accessories included	1 x ice cube tray	1 x ice cube tray 1 x bottle support	1 x ice cube tray
Height of product (mm)	1935	1935	1935
Width of product (mm)	691	558	541
Depth of product (mm)	548	548	548

■ Yes, model has this feature. – Feature not available for this model.

¹ Actual energy consumption will depend on how the appliance is used and where it is located.

² Climate zone SN = designed to operate in ambient temperature of +10°C to 32°C.

Climate zone T = designed to operate in ambient temperature of +18°C to 43°C.

Data valid in this table as of April 2026. Subject to modification without prior notice.

*5 year warranty - Offer dates: 01.04.26 – 31.03.27. T&C's apply. Online registration required.



Built-in fridge freezer specifications

Appliance type	noFrost bottom fridge freezers		
Design family	IQ500	IQ300	IQ300
Model number	KI86NADD0	KI86NVFEG	KI86NVSEOG
Design features			
Fridge / Freezer split	60 / 40	60 / 40	60 / 40
noFrost	■	■	■
lowFrost or Manual defrost	-	-	-
softClose hinge	■	-	-
Type of hinge (reversible)	Fixed hinge	Fixed hinge	Sliding hinge
Home Connect	-	-	-
Food freshness system			
hyperFresh	2 x hyperFresh drawers	2 x hyperFresh drawers	2 x hyperFresh drawers
Key features – fridge section			
Light	LED	LED	LED
superCooling function	■	-	-
Type of control	Electronic	Electronic	Electronic
Number of shelves	4	4	4
Number of adjustable shelves	2	3	3
Number of door bins / shelves	3	3	3
Type of shelves	Safety glass	Safety glass	Safety glass
Temperature display	Digital LED	Digital LED	Digital LED
Warning signal door open	■	■	■
Bottle shelves in fridge	■	■	■
Key features – Freezer section			
superFreezing function	■	■	■
Temperature adjustable in freezer	■	-	-
Number of ice cube trays	1	1	1
Number of freezer drawers	3	3	3
Additional information			
Energy efficiency class			
Energy consumption ¹ (kWh/annum)	186	234	234
Total net capacity (litres)	260	260	260
Refrigerator net capacity (litres)	184	184	184
Freezer net capacity (litres)	76	76	76
Climate class ²	SN-ST	SN-ST	SN-ST
Noise level (dB [A] re 1pW)	35	35	35
Noise level class	B	B	B
Sabbath mode	-	-	-
10 Year Compressor Warranty	■	■	■
Additional accessories included	1 x ice cube tray 1 x bottle support	1 x ice cube tray 1 x bottle support	1 x ice cube tray 1 x bottle support
Height of product (mm)	1772	1772	1772
Width of product (mm)	558	541	541
Depth of product (mm)	548	548	548

■ Yes, model has this feature. – Feature not available for this model.

¹ Actual energy consumption will depend on how the appliance is used and where it is located.

² Climate zone SN = designed to operate in ambient temperature of +10°C to 32°C.

Climate zone T = designed to operate in ambient temperature of +18°C to 43°C.

Data valid in this table as of April 2026. Subject to modification without prior notice.

*5 year warranty - Offer dates: 01.04.26 – 31.03.27. T&C's apply. Online registration required.



Built-in fridge freezer specifications

Appliance type	noFrost bottom fridge freezer	lowFrost bottom fridge freezer
Design family	IQ100	IQ100
Model number	KI85NNFEG	KI87VNSEOG
Design features		
Fridge / Freezer split	50 / 50	70 / 30
noFrost	■	-
lowFrost or Manual defrost	-	■
softClose hinge	-	-
Type of hinge (reversible)	Fixed hinge	Sliding hinge
Home Connect	-	-
Food freshness system		
hyperFresh	1 x vegetable box	1 x vegetable box
Key features – fridge section		
Light	LED	LED
superCooling function	■	■
Type of control	Electronic	Electronic
Number of shelves	3	5
Number of adjustable shelves	2	4
Number of door bins / shelves	2	4
Type of shelves	Safety glass	Safety glass
Temperature display	Digital LED	Digital LED
Warning signal door open	■	■
Bottle shelves in fridge	-	-
Key features – Freezer section		
superFreezing function	■	■
Temperature adjustable in freezer	-	-
Number of ice cube trays	1	1
Number of freezer drawers	4	2
Additional information		
Energy efficiency class		
Energy consumption ¹ (kWh/annum)	239	216
Total net capacity (litres)	249	270
Refrigerator net capacity (litres)	150	200
Freezer net capacity (litres)	99	70
Climate class ²	SN-ST	SN-ST
Noise level (dB [A] re 1pW)	39	35
Noise level class	C	B
Sabbath mode	-	-
10 Year Compressor Warranty	■	-
Additional accessories included	1 x ice cube tray	1 x ice cube tray
Height of product (mm)	1772	1772
Width of product (mm)	541	541
Depth of product (mm)	548	548

■ Yes, model has this feature. – Feature not available for this model.

¹ Actual energy consumption will depend on how the appliance is used and where it is located.

² Climate zone SN = designed to operate in ambient temperature of +10°C to 32°C.

Climate zone T = designed to operate in ambient temperature of +18°C to 43°C.

Data valid in this table as of April 2026. Subject to modification without prior notice.

*5 year warranty - Offer dates: 01.04.26 – 31.03.27. T&C's apply. Online registration required.

Single door fridges and freezers

5 year warranty
Compressor Drive
10 Year Warranty



iQ500 KI81RADD0G

Single door fridge
177cm high



Built-in single door fridges and freezer specifications

Appliance type		Fridge 177cm
Design family		iQ500
Model number		KI81RADD0G
Design features		
noFrost		-
lowFrost (Manual defrost)		■
softClose hinge		■
Type of hinge (reversible)		Fixed hinge
Home Connect		-
Food freshness system		
hyperFresh		2 x hyperFresh drawers 1 x veg box
Key features – fridge section		
Light		LED
superCooling function		■
Type of control		Electronic
Number of shelves		7
Number of adjustable shelves		4
Number of door bins / shelves		5
Type of shelves		Safety glass
Temperature display		Digital LED
Warning signal door open		■
Bottle shelves in fridge		■
Key features – freezer section		
superFreezing function		-
Temperature adjustable in freezer		-
Number of ice cube trays		-
Number of freezer drawers		-
Additional information		
Energy efficiency class		A D
Energy consumption ¹ (kWh/annum)		91
Total net capacity (litres)		310
Freezer net capacity (litres)		-
Climate class ²		SN-ST
Noise level (dB [A] re 1pW)		34
Noise level class		B
Sabbath mode		-
10 Year Compressor Warranty		■
Additional accessories included		1 x bottle support
Height of product (mm)		1772
Width of product (mm)		558
Depth of product (mm)		548

■ Yes, model has this feature. – Feature not available for this model.

¹ Actual energy consumption will depend on how the appliance is used and where it is located.

² Climate zone SN – designed to operate in ambient temperature of +10°C to 32°C.
Climate zone T – designed to operate in ambient temperature of +18°C to 43°C.

Data valid in this table as of April 2026. Subject to modification without prior notice.
*5 year warranty - Offer dates: 01.04.26 – 31.03.27. T&C's apply. Online registration required.

5 year warranty
Compressor Drive
10 Year Warranty



5 year warranty
Compressor Drive
10 Year Warranty



Built-in single door fridges and freezer specifications

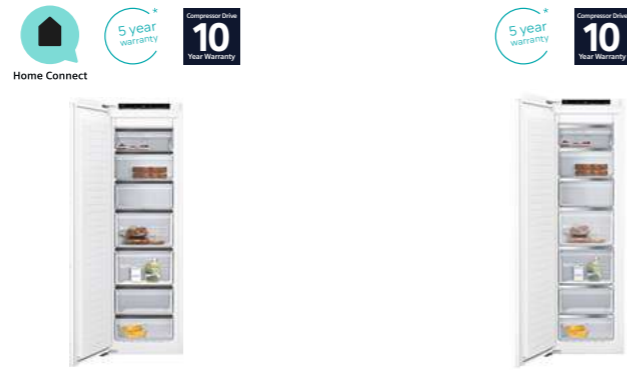
Appliance type		Fridges 177cm	
Design family		iQ300	iQ100
Model number		KI81RVFE0G	KI81RNSE0G
Design features			
noFrost		-	-
lowFrost (Manual defrost)		■	■
softClose hinge		-	-
Type of hinge (reversible)		Fixed hinge	Sliding hinge
Home Connect		-	-
Food freshness system			
hyperFresh		2 x vegetable boxes	2 x vegetable boxes
Key features – fridge section			
Light		LED	LED
superCooling function		■	■
Type of control		Electronic	Electronic
Number of shelves		7	7
Number of adjustable shelves		5	5
Number of door bins / shelves		5	5
Type of shelves		Safety glass	Safety glass
Temperature display		Digital LED	Digital LED
Warning signal door open		■	■
Bottle shelves in fridge		■	-
Key features – freezer section			
superFreezing function		-	-
Temperature adjustable in freezer		-	-
Number of ice cube trays		-	-
Number of freezer drawers		-	-
Additional information			
Energy efficiency class		A D	A E
Energy consumption ¹ (kWh/annum)		114	114
Total net capacity (litres)		310	310
Freezer net capacity (litres)		-	-
Climate class ²		SN-ST	SN-ST
Noise level (dB [A] re 1pW)		35	35
Noise level class		B	B
Sabbath mode		-	-
10 Year Compressor Warranty		■	■
Additional accessories included		1 x bottle support	-
Height of product (mm)		1772	1772
Width of product (mm)		541	541
Depth of product (mm)		548	548

■ Yes, model has this feature. – Feature not available for this model.

¹ Actual energy consumption will depend on how the appliance is used and where it is located.

² Climate zone SN – designed to operate in ambient temperature of +10°C to 32°C.
Climate zone T – designed to operate in ambient temperature of +18°C to 43°C.

Data valid in this table as of April 2026. Subject to modification without prior notice.
*5 year warranty - Offer dates: 01.04.26 – 31.03.27. T&C's apply. Online registration required.



Built-in single door fridges and freezer specifications

Freezers 177cm		
Appliance type	IQ700	IQ300
Design family	IQ700	IQ300
Model number	G181NHCE0	G181NVEE0G
Design features		
noFrost	■	■
lowFrost (Manual defrost)	-	-
softClose hinge	■	-
Type of hinge (reversible)	Fixed hinge	Fixed hinge
Home Connect	■	-
Food freshness system		
hyperFresh	-	-
Key features – fridge section		
Light	-	-
superCooling function	-	-
Type of control	Electronic	Electronic
Number of shelves	-	-
Number of adjustable shelves	-	-
Number of door bins / shelves	-	-
Type of shelves	-	-
Temperature display	Digital LED	Digital LED
Warning signal door open	-	-
Bottle shelves in fridge	-	-
Key features – freezer section		
superFreezing function	■	■
Temperature adjustable in freezer	■	■
Number of ice cube trays	1	1
Number of freezer drawers	5	5
Additional information		
Energy efficiency class	A E	A E
Energy consumption ¹ (kWh/annum)	235	235
Total net capacity (litres)	212	212
Freezer net capacity (litres)	212	212
Climate class ²	SN-T	SN-T
Noise level (dB [A] re 1pW)	35	35
Noise level class	B	B
Sabbath mode	-	-
10 Year Compressor Warranty	■	■
Additional accessories included	1 x ice cube tray	1 x ice cube tray
Height of product (mm)	1772	1772
Width of product (mm)	558	558
Depth of product (mm)	545	545

■ Yes, model has this feature. - Feature not available for this model.

¹ Actual energy consumption will depend on how the appliance is used and where it is located.

² Climate zone SN = designed to operate in ambient temperature of +10°C to 32°C.

Climate zone T = designed to operate in ambient temperature of +18°C to 43°C.

Data valid in this table as of April 2026. Subject to modification without prior notice.

*5 year warranty - Offer dates: 01.04.26 – 31.03.27. T&C's apply. Online registration required.



Built-in single door fridges and freezer specifications

Built-in single door fridges and freezer specifications			
Appliance type	Built-under fridge with ice box 82cm	Built-under fridge 82cm	Built-under freezer 82cm
Design family	IQ300	IQ300	IQ300
Model number	KU22LVFD0G	KU21RVFE0G	GU21NVFE0G
Design features			
noFrost	-	-	■
lowFrost (Manual defrost)	■	■	-
softClose hinge	-	-	-
Type of hinge (reversible)	Fixed hinge	Fixed hinge	Fixed hinge
Home Connect	■	■	■
Food freshness system			
hyperFresh	-	-	-
Key features – fridge section			
Light	LED	LED	-
superCooling function	■	■	-
Type of control	Electronic	Electronic	Electronic
Number of shelves	3	4	-
Number of adjustable shelves	2	3	-
Number of door bins / shelves	2	2	-
Type of shelves	Safety glass	Safety glass	-
Temperature display	Digital LED	Digital LED	Digital LED
Warning signal door open	■	■	-
Bottle shelves in fridge	-	-	-
Key features – freezer section			
superFreezing function	-	-	■
Temperature adjustable in freezer	-	-	■
Number of ice cube trays	1	-	1
Number of freezer drawers	-	-	3
Additional information			
Energy efficiency class	A D	A E	A E
Energy consumption ¹ (kWh/annum)	119	93	189
Total net capacity (litres)	110	134	85
Freezer net capacity (litres)	17	-	85
Climate class ²	SN-T	SN-T	SN-T
Noise level (dB [A] re 1pW)	35	35	35
Noise level class	B	B	B
Sabbath mode	-	■	■
10 Year Compressor Warranty	■	■	■
Additional accessories included	1 x ice cube tray	-	1 x ice cube tray
Height of product (mm)	820	820	820
Width of product (mm)	598	598	598
Depth of product (mm)	548	548	548

■ Yes, model has this feature. - Feature not available for this model.

¹ Actual energy consumption will depend on how the appliance is used and where it is located.

² Climate zone SN = designed to operate in ambient temperature of +10°C to 32°C.

Climate zone T = designed to operate in ambient temperature of +18°C to 43°C.

Data valid in this table as of April 2026. Subject to modification without prior notice.

*5 year warranty - Offer dates: 01.04.26 – 31.03.27. T&C's apply. Online registration required.



Wine cabinets

Premium design with optimal temperature control.

For carefully stored and beautifully presented wine bottles.

Our wine cabinets will ensure bottles are displayed effortlessly whilst making an impressive visual statement. Thanks to Siemens state-of-the-art technology, wines will be maintained at the optimal temperature for their type. So each individual bottle – whether it is red, white or sparkling, is conditioned perfectly to be enjoyed when needed.

Siemens wine cabinets are designed to provide great first-rate storage for any wine. Wine bottles are presented elegantly on beautifully crafted oak wooden shelves, reducing the risk of scratches or tears to the bottles and labels. Wood is also the perfect surface to display wine, minimising vibrations which can cause wines to age.

Light, especially sunlight, can adversely affect wine. The sun's ultra violet rays in particular can degrade and prematurely age wine. Siemens wine cabinets are equipped with LED lights to minimise heat emissions and temperature fluctuations. As a result, the cabinet remains at the optimal temperature at which it is set. Settings can be specified from 5-20°C, allowing storage of Champagne from 5-8°C, as well as red wine from 12-20°C.

The glass panelled doors are also protected with a UV filter offering further protection to bottles from any unnecessary light that can lead them to spoil or fade wine labels.

The soft LED feature provides added drama, phasing in gently to reveal the wine. If the cabinet is the focal point of the kitchen, our Presentation Mode feature will enable the light to be kept permanently on, allowing bottles to shine in all their glory.



There is space to fit up to 21 bottles in our 30cm wide cabinet, or up to 44 bottles in our 60cm wide unit. The grey interior gives a premium modern seamless finish throughout the kitchen. Each cabinet is also designed with a reversible hinge allowing the direction the door opens to be changed depending on the flow of the kitchen.

Acoustic warning light indicators will notify if the door is opened for a long period, or if the wine storage compartment is too warm or too cold for an extended period to ensure the wine is kept protected.

2 Year Warranty
A Two year warranty is offered on our wine cabinets to cover manufacturing or material faults.

For more information please see page 4.

iQ 500 KU20WVHF0G

Built-under wine cabinet
Black



Model shown: KU20WVHF0G built-under wine cabinet

Built-under wine cabinet specifications

Appliance type	Built-under wine cabinets	
	iQ 500	iQ 500
Design family	KU20WVHF0G	KU21WAHG0G
Model number	KU20WVHF0G	KU21WAHG0G
Design features		
Colour of door panels	Black	Black
Colour of side panels	Black	Black
Type of glass door	3 glass panels, UV-filtered	3 glass panels, UV-filtered
Door handle type	Vertical bar handle	Vertical bar handle
Temperature display	Interior / Digital LED	Interior / Digital LED
Reversible door, hinged on right	■	■
Home Connect / Built-in cameras	-	-
Key features – wine cabinet section		
Range of temperature (0°C)	5 - 20	5 - 20
Temperature zones	1	2
LED light	■	■
Number of shelves	4	5
Number of oak shelves	3	3
Number of adjustable shelves	-	-
Presenter shelf and lighting	■	■
Capacity in 0.75L (Bordeaux bottles)	21	44
Functions		
Door open warning signal/malfunction	■	■
Child lock	■	■
Performance & consumption		
Energy efficiency class	A F	A G
Energy consumption* (kWh/annual)	100	130
Refrigerator net capacity (litres)	58	120
Climate Class ²	SN-ST	SN-ST
Sabbath mode	-	-
Noise level (dB [A] re 1pW)	38	38
Noise level class	C	C
Height of product (mm)	818	818
Width of product (mm)	298	598
Depth of product (mm)	567	581

■ Yes, model has this feature. – Feature not available for this model.

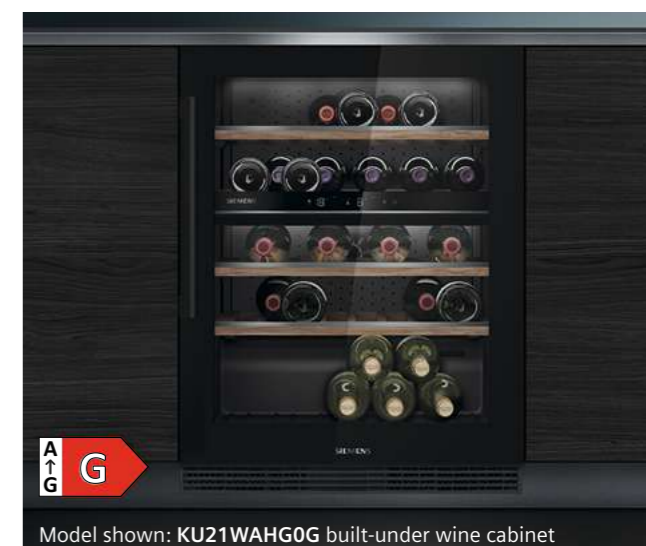
* Actual energy consumption will depend on how the appliance is used and where it is located.

² Climate zone SN = designed to operate in ambient temperature of +10°C to 32°C.

Climate zone ST = designed to operate in ambient temperature of +16°C to 38°C.

Please note: ventilation grill not supplied.

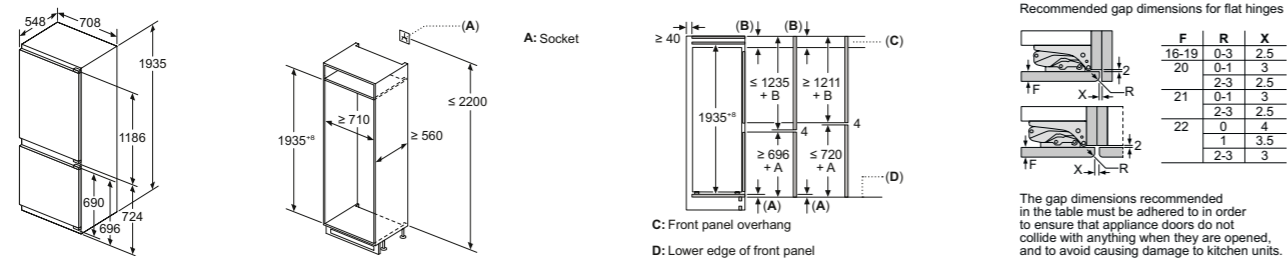
Data valid in this table as of April 2026. Subject to modification without prior notice.



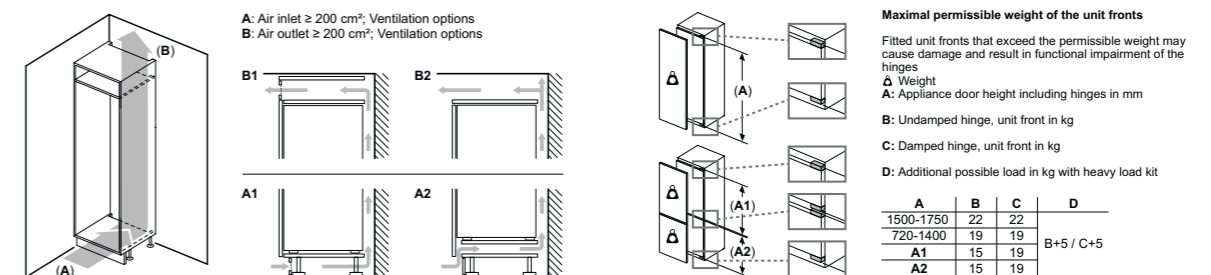
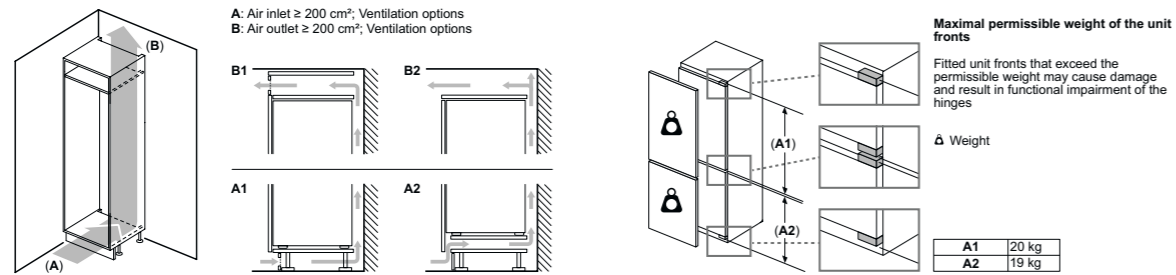
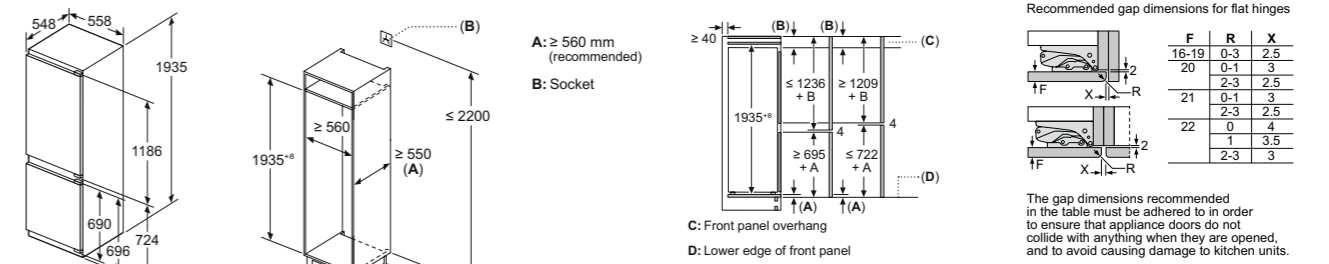
Model shown: KU21WAHG0G built-under wine cabinet

Cooling technical diagrams

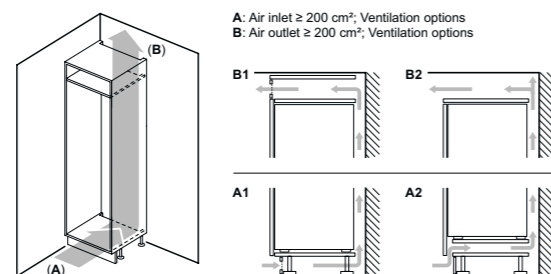
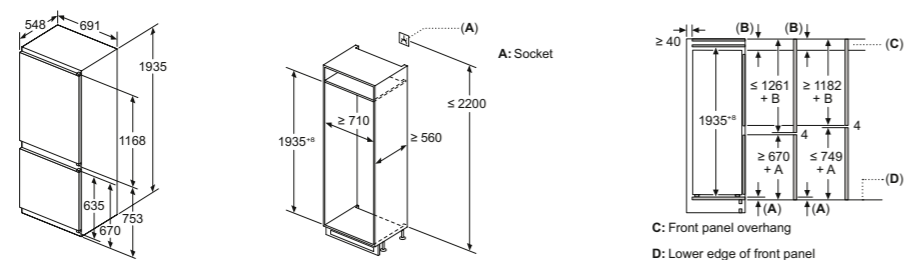
noFrost XXL bottom fridge freezer KB96NADD1



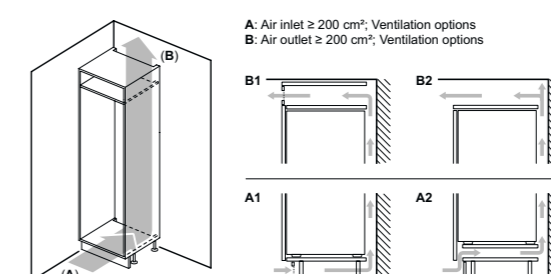
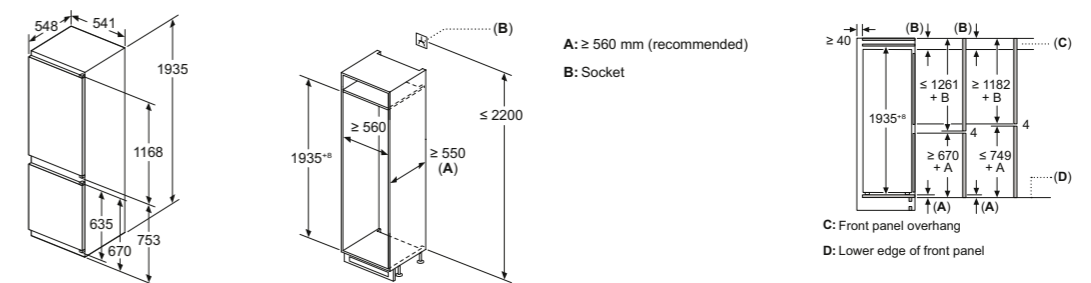
noFrost XL bottom fridge freezer KI96NVFD0G



noFrost XXL bottom fridge freezer KB96NNSE0

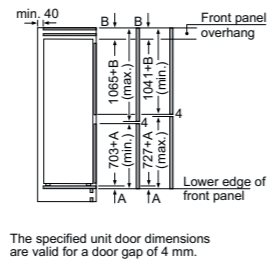
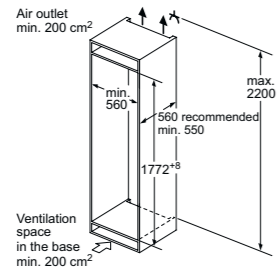
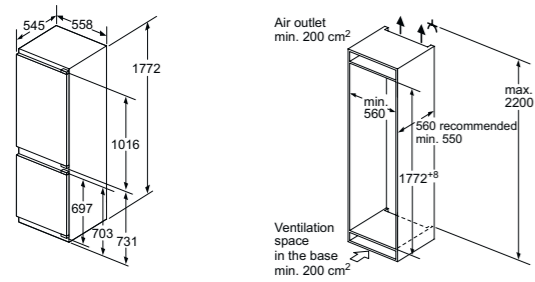


noFrost XL bottom fridge freezer KI96NNSE0



Cooling technical diagrams

noFrost bottom fridge freezer KI86NADD0



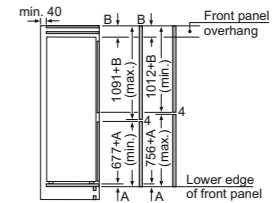
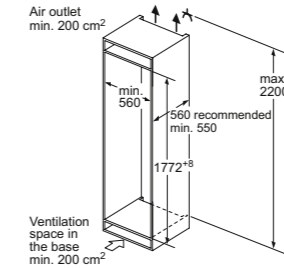
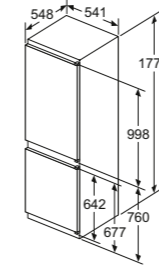
The specified unit door dimensions are valid for a door gap of 4 mm.

Recommended gap dimensions for flat hinges

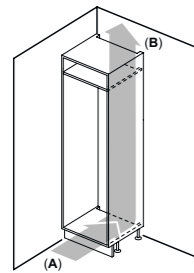
F	R	X
16-19	0-3	2,5
20	0-1	3
	2-3	2,5
21	0-1	3
	2-3	2,5
22	0	4
	1	3,5
	2-3	3

The gap dimensions recommended in the table must be adhered to in order to ensure that appliance doors do not collide with anything when they are opened, and to avoid causing damage to kitchen units.

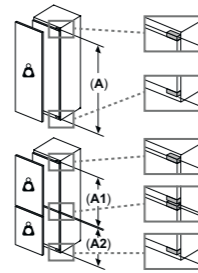
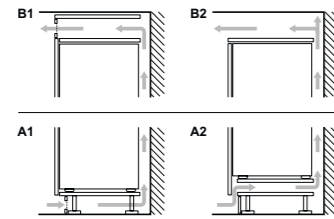
noFrost bottom fridge freezer KI86NVSE0G



The specified unit door dimensions are valid for a door gap of 4 mm.



A: Air inlet ≥ 200 cm²; Ventilation options
B: Air outlet ≥ 200 cm²; Ventilation options



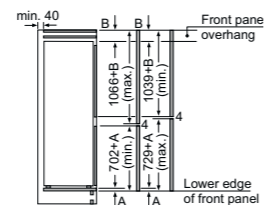
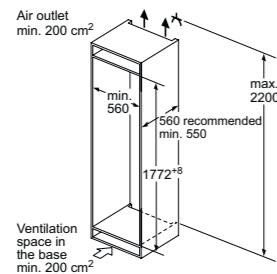
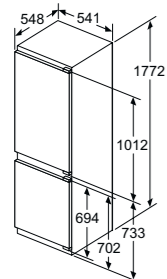
Maximal permissible weight of the unit fronts

Fitted unit fronts that exceed the permissible weight may cause damage and result in functional impairment of the hinges.

- Δ Weight
- A: Appliance door height including hinges in mm
- B: Undamped hinge, unit front in kg
- C: Damped hinge, unit front in kg
- D: Additional possible load in kg with heavy load kit

A	B	C	D
1500-1750	22	22	
720-1400	19	19	B+5 / C+5
A1	15	19	
A2	15	19	

noFrost bottom fridge freezer KI86NVFE0G



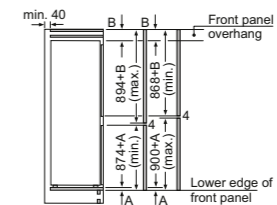
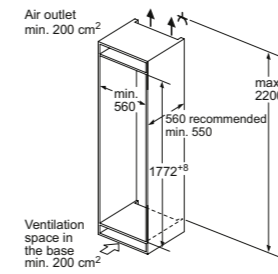
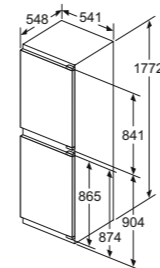
The specified unit door dimensions are valid for a door gap of 4 mm.

Recommended gap dimensions for flat hinges

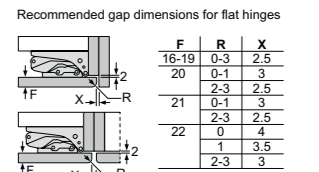
F	R	X
16-19	0-3	2,5
20	0-1	3
	2-3	2,5
21	0-1	3
	2-3	2,5
22	0	4
	1	3,5
	2-3	3

The gap dimensions recommended in the table must be adhered to in order to ensure that appliance doors do not collide with anything when they are opened, and to avoid causing damage to kitchen units.

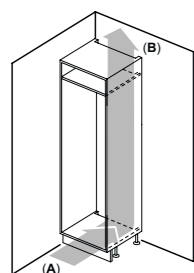
noFrost bottom fridge freezer KI85NNFE0G



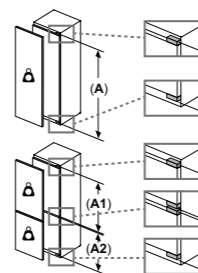
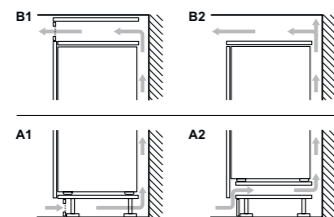
The specified unit door dimensions are valid for a door gap of 4 mm.



The gap dimensions recommended in the table must be adhered to in order to ensure that appliance doors do not collide with anything when they are opened, and to avoid causing damage to kitchen units.



A: Air inlet ≥ 200 cm²; Ventilation options
B: Air outlet ≥ 200 cm²; Ventilation options

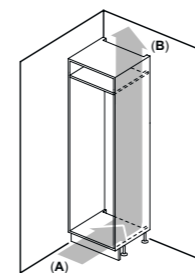


Maximal permissible weight of the unit fronts

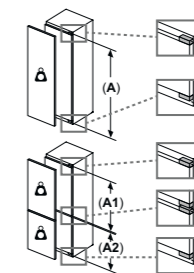
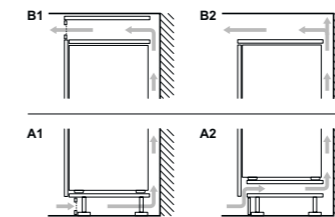
Fitted unit fronts that exceed the permissible weight may cause damage and result in functional impairment of the hinges.

- Δ Weight
- A: Appliance door height including hinges in mm
- B: Undamped hinge, unit front in kg
- C: Damped hinge, unit front in kg
- D: Additional possible load in kg with heavy load kit

A	B	C	D
1500-1750	22	22	
720-1400	19	19	B+5 / C+5
A1	15	19	
A2	15	19	



A: Air inlet ≥ 200 cm²; Ventilation options
B: Air outlet ≥ 200 cm²; Ventilation options



Maximal permissible weight of the unit fronts

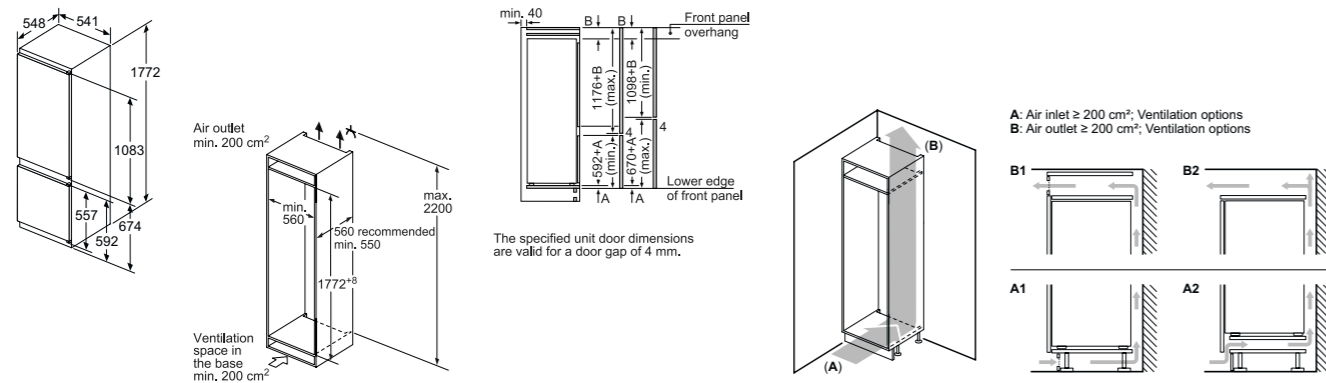
Fitted unit fronts that exceed the permissible weight may cause damage and result in functional impairment of the hinges.

- Δ Weight
- A: Appliance door height including hinges in mm
- B: Undamped hinge, unit front in kg
- C: Damped hinge, unit front in kg
- D: Additional possible load in kg with heavy load kit

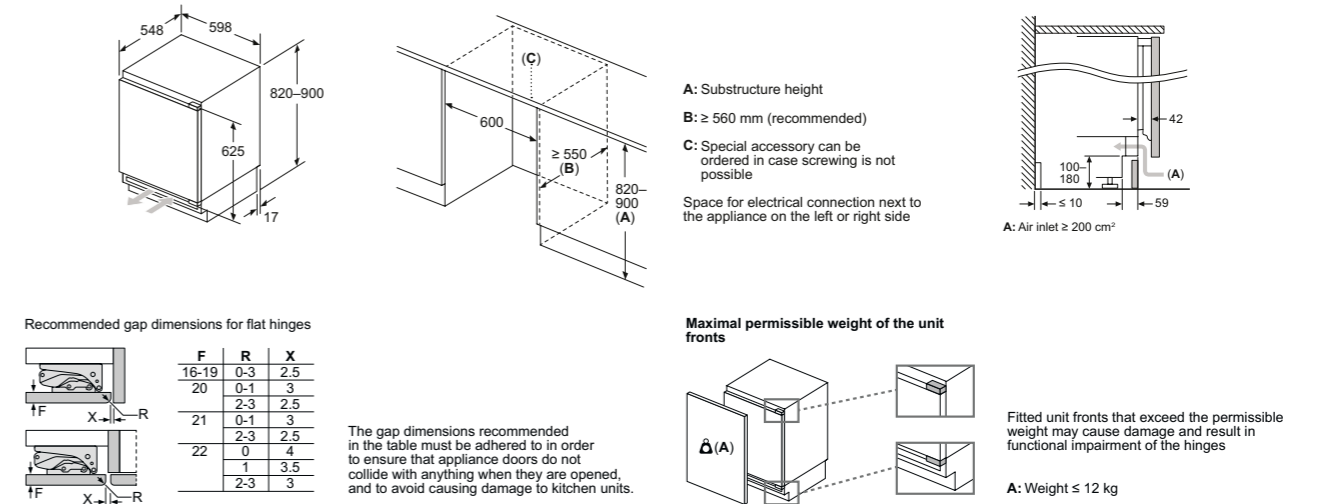
A	B	C	D
1500-1750	22	22	
720-1400	19	19	B+5 / C+5
A1	15	19	
A2	15	19	

Cooling technical diagrams

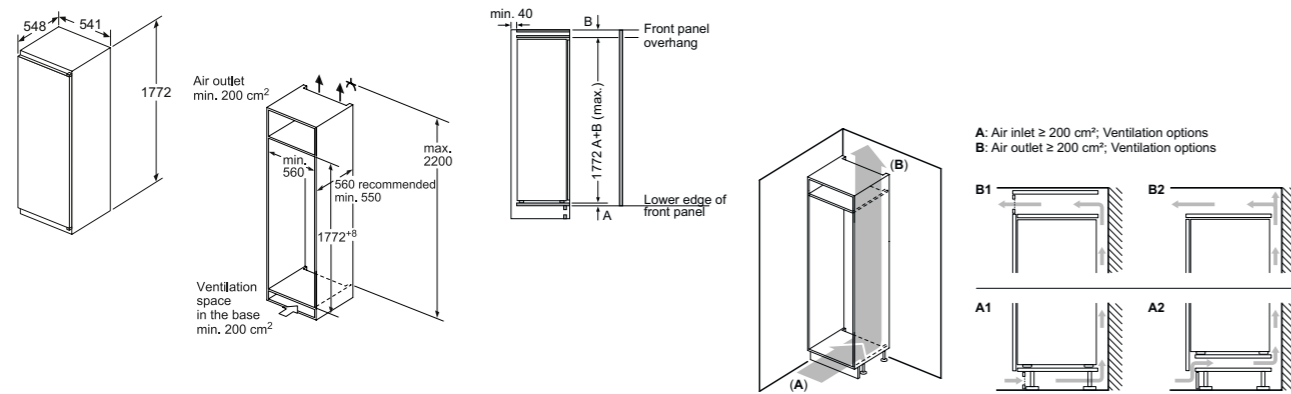
lowFrost bottom fridge freezer KI87VNSE0G



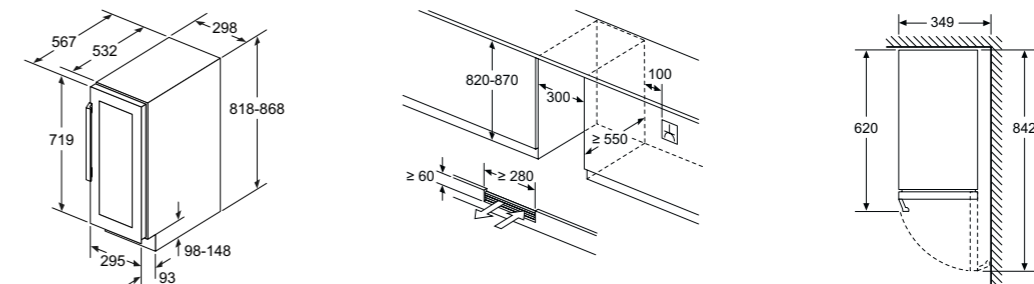
82cm built-under fridges and freezer KU22LVFD0G, KU21RVFE0G and GU21NVFE0G



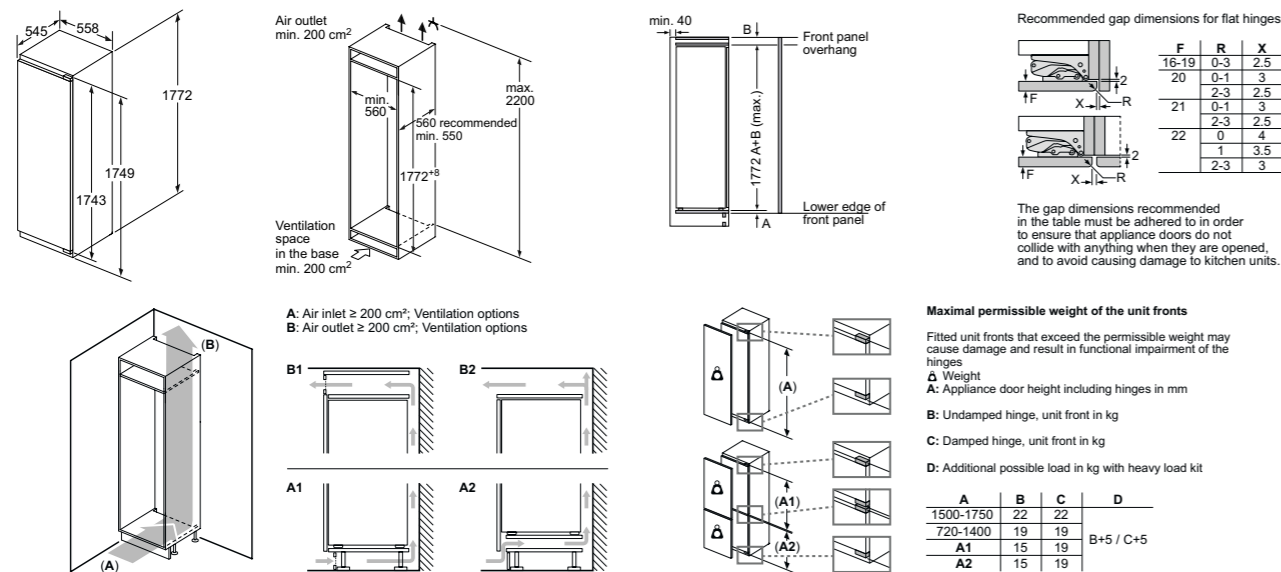
177cm fridge KI81RNSE0G



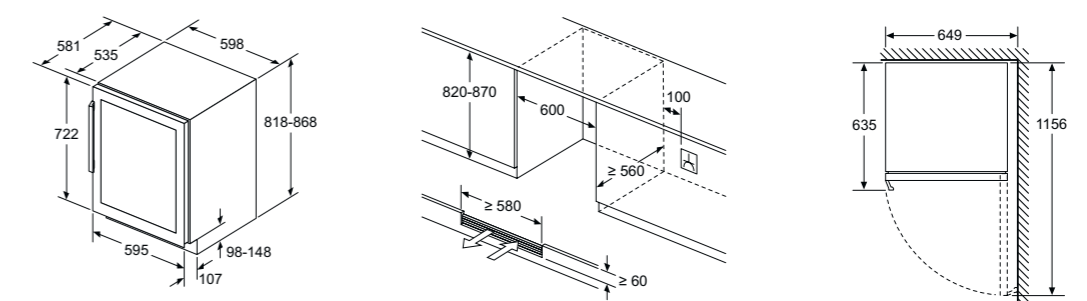
Wine cabinet KU20WVHF0G



177cm freezers GI81NHCE0 and GI81NVEE0G



Wine cabinet KU21WAHG0G



Cooling. Super efficient, super stylish

Elegant, functional and packed with technology, Siemens freestanding cooling appliances are a talking point in the kitchen.

Whether it is an American Style fridge freezer/ Multi Door that has a wow-factor, a side by side fridge and freezer for extra space, or a single appliance, Siemens has a wide range of products to choose from. Our energy efficient appliances are packed with food preservation technology.



Model shown: KF96DPXEA
Multi Door / American style fridge freezer

Siemens freestanding cooling warranties:



10 year warranty
A ten year warranty is available on freestanding fridge freezer KG39NAIAU to protect against manufacturing and material faults during this warranty period.

*Offer dates: 01.04.26 – 31.12.26.



5 year warranty
A five year warranty is available on selected freestanding cooling appliances listed in this brochure to protect against manufacturing and material faults during this warranty period.

*Offer dates: 01.04.26 – 31.03.27.

Online registration required. For full T&Cs visit [siemens-home.bsh-group.com/uk/customer-service/siemens-warranties](https://www.siemens-home.bsh-group.com/uk/customer-service/siemens-warranties)



2 year warranty
All other Siemens cooling appliances have a two year manufacturer's warranty as standard to protect against manufacturing or material faults.



10 Year Compressor Drive Warranty
Available on all Siemens freestanding fridge freezers, covers defects in compressor motor.

To find out more about warranty and for registration, please visit:
UK: [siemens-home.bsh-group.com/uk/customer-service/siemens-warranties](https://www.siemens-home.bsh-group.com/uk/customer-service/siemens-warranties)
IE: [siemens-home.bsh-group.com/ie/customer-service/warranty](https://www.siemens-home.bsh-group.com/ie/customer-service/warranty)

Keeping food fresh for longer



hyperFresh technology

Set the right conditions to ensure food stays fresh for longer with hyperFresh humidity drawers and near 0°C chiller drawers.



Freshness controlled: hyperFresh
Simply use the stylish control panel to adjust the humidity in the fridge. The hyperFresh drawer with a rippled base allows cool air to circulate easily around fruits and vegetables. As a result, the quality and freshness of the ingredients will be retained.



Shelf life maximised: hyperFresh Plus
The hyperFresh Plus drawer does not only store food, it provides the right conditions to keep ingredients fresh for longer. Whether it is fruits or vegetables, using the drawer will increase shelf life and reduce food wastage. Simply switch between the 2 control settings, and the humidity will be adjusted for optimum storage of food.



Food stays fresh for longer: hyperFresh Premium
Enjoy fresher food with hyperFresh Premium. With a choice of 3 humidity controls, simply select between storing fruits, vegetables, or both. The hyperFresh Premium drawer will regulate how much humidity the food receives. These innovative drawers help to keep in nutrients and minerals to create delicious meals and require fewer trips to the supermarkets, saving time, effort and money. hyperFresh Premium is available in selected Siemens single door fridges only.



Perfectly fresh for fish and meat: hyperFresh near 0°C chiller drawers
The hyperFresh near 0°C chiller drawers, on the hyperFresh and hyperFresh plus models, are especially designed for the storage needs of fish and meat. Keep them fresh in ideal conditions near 0°C to retain the vitamins and minerals for longer. With two separate compartments the transfer of unpleasant smells will be avoided.

hyperFresh Premium models come complete with a larger full-length near 0°C chiller drawer, where fish and meat are stored at the perfect temperature.



Technology that helps make life easier



With Total noFrost technology, the job of defrosting the freezer never needs to be done again.



Total noFrost
With Siemens Total noFrost, the chore of manual defrosting is a thing of the past. Our intelligent air circulation system constantly removes humidity from the freezer compartment, preventing the formation of ice that can compromise food quality and energy efficiency. This ensures optimal storage conditions, with food remaining free from ice crystals and perfectly preserved, all without ever needing to intervene. It's effortless convenience, engineered for modern life.



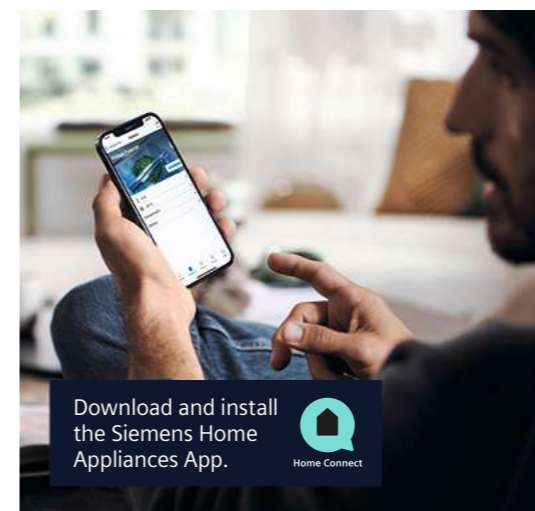
lowFrost
Thanks to the innovative lowFrost technology with the special evaporator, not only is there less ice build up, but also defrosting is much faster than in conventional systems. All lowFrost models have a water drainage system, to allow removal of all thawed water during the defrosting process.

Freezer storage made easy with bigBox.



Big enough for a busy lifestyle, the bigBox has the capacity for storing whole frozen turkeys, an entire leg of lamb, several pizzas, as well as the height to hold dessert glasses upright.

The bigBox provides plenty of space to accommodate and stack everything. And when an even larger space is needed, all the drawers and shelves can be easily removed from the freezer compartment which is ideal for the holidays and entertaining.



Stay connected in the kitchen, with Siemens Home Connect.

Smart appliances
Cooling appliances with Siemens Home Connect offer the ability to flexibly control Siemens appliances using smart devices, such as a smart phone, tablet or smart speaker. This means appliances can be controlled from anywhere; for example adjusting the appliance temperature to cool down whilst on the way home from the supermarket, or setting the appliance to holiday mode whilst at the airport. Push notifications can also be set up to send an alert if the door has accidentally been left open, or if the temperature has risen above a certain level.

For more information about Siemens Home Connect visit
UK: [siemens-home.bsh-group.com/uk/inspiration/innovation/connected/cooling](https://www.siemens-home.bsh-group.com/uk/inspiration/innovation/connected/cooling)
IE: [siemens-home.bsh-group.com/ie/inspiration/innovation/connected/cooling](https://www.siemens-home.bsh-group.com/ie/inspiration/innovation/connected/cooling)

Cooling key features

Colour finish options.

Choose from a selection of colour finishes on Siemens cooling appliances. There is an option to suit every kitchen.



Brushed steel anti-fingerprint **Brushed black steel anti-fingerprint** **Black inox anti-fingerprint** **Black inox** **Inox anti-fingerprint** **Inox look**

Handle options.

Depending on preference, choose from stylish quality bar handles or handles that are integrated into the appliance for a more seamless look.

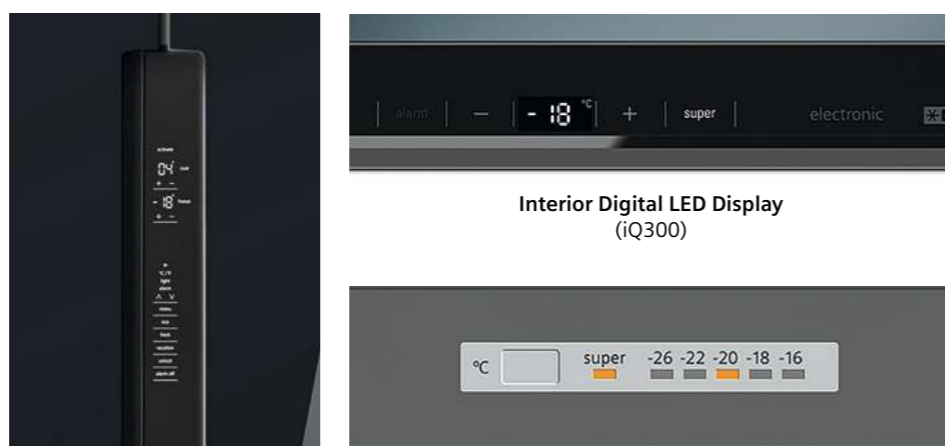


Integrated Vertical

Vertical Bar Handles

Temperature displays.

There are options for cooling appliances with a large front display, or with the control hidden on the inside of the appliance as our Siemens cooling range varies from large digital screens visible on the front door of the appliance to internal LED controls.



Exterior Electronic Display

Interior Digital LED Display (iQ300)

Interior Electronic LED Display



easyAccess shelving



Bottle rack



easyLift door trays



LED Illumination



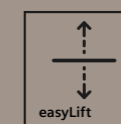
autoAirflow system



Flexible door interior



easyAccess shelving zone on single door freezers
Creates additional space whilst delivering the design of an American fridge freezer interior compartment.



easyLift
Adjustable door trays and glass shelves that can be moved even when full for optimal convenience.



LED Illumination
Integrated seamlessly into the top or the side walls of our cooling appliances, LED lighting is very efficient and gives maximum illumination of the fridge and freezer.



Bottle rack
Available on some models which is the perfect place to store wine of all varieties and make the best use of the fridge space.



autoAirflow system
This system works with the electronics to optimise the air circulation within the fridge and freezer compartments to ensure even cooling throughout the appliance. This means however groceries are organised, it will cool them quickly no matter where they are placed. The back wall of the appliance has open vents which work with the cooling circuit to draw cold air into each compartment.



Flexible door interior
The flexible door storage system* is an innovation in interior adaptability, engineered for unparalleled convenience. This design features door compartments that can be seamlessly adjusted and repositioned to suit changing storage needs. With a simple movement, bins can be shifted to create vertical space for tall items like bottles or cartons, providing an intelligent solution for organizing the door's interior. This level of customisation ensures that every inch of space is optimised, offering a highly practical and organised approach to everyday food storage.

* Only available on freestanding single door models

Premium cooling options

for every size and style of kitchen

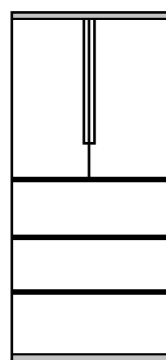
Choose the style and size.

When considering which freestanding appliance to purchase, there are some key aspects to consider such as what height and width space is available, how much litre capacity as well as what ratio of fridge to freezer is needed.

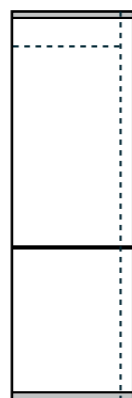
Height and width

Siemens has many different sizes of cooling models to suit varying needs from: 183cm-203cm high and between 60cm and 91cm in width.

French Style / Multi door
183 x 90cm



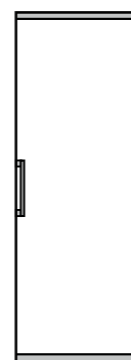
Fridge Freezers
203 x 70cm
203 x 60cm



Single Door Fridges
186 x 60cm

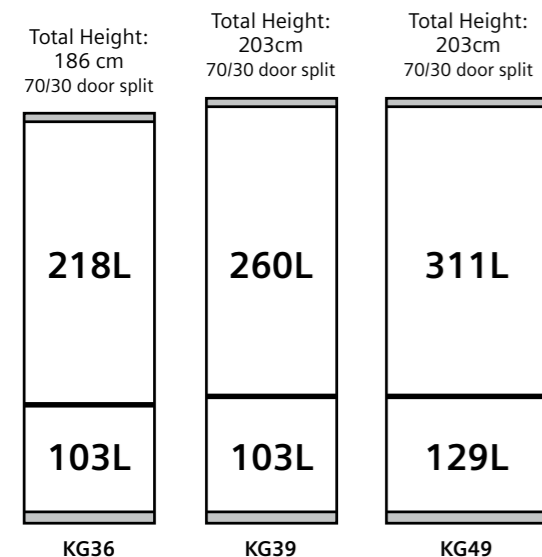


Single Door Freezers
186 x 60cm

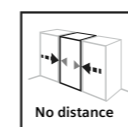


Fridge Freezer split options

Siemens freestanding fridge freezers are split into two separate compartments, so the split proportions can be decided depending on the food usage requirements.



Model shown:
KG39NVIBG
A ↑ G B



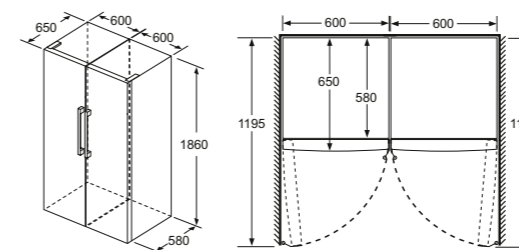
Create the perfect pair.

For extra internal space pair one of the below Siemens upright fridges alongside a Siemens upright freezer to re-create the style of an American fridge freezer with our easy access shelving zone.

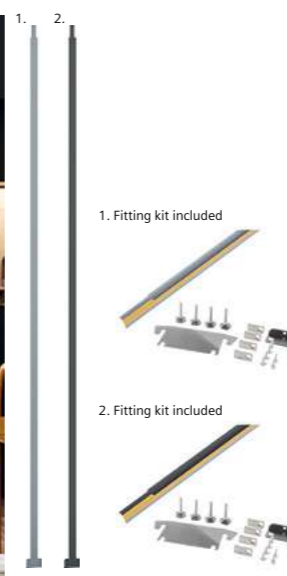
For a design statement, combine the Black Inox iQ500 KS36NAXCG (fridge) with the iQ500 GS36NAXCG (freezer).

To complete these looks, a joining strip will need to be purchased to secure the two appliances. These can be bought through our website or through a retailer.

The joining strip product codes are:
KS39ZAL00 – Inox Look
KS39ZAX00 – Black Inox



Models shown: iQ500 KS36NAXCG single door fridge combined with iQ500 GS36NAXCG single door freezer using the KS39ZAX00 Black Inox joining strip



Models shown above:

KS36NVICGG (fridge) A ↑ G B

GS36NVICGG (freezer) A ↑ G C

Joining strip :

KS39ZAL00 (1. Inox Look Easy Clean)
KS39ZAX00 (2. Black Inox Easy Clean)

Models shown above:

KS36NAXCG (fridge) A ↑ G B

GS36NAXCG (freezer) A ↑ G C

Tried and tested.

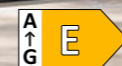
All Siemens fridges and freezers are built to last. Rigorous testing ensures that our products meet all the requirements of our customers. Every single one of our appliances is tested before it leaves the factory. For 24 hours a day, components are tested continuously to the maximum tolerance possible for the equivalent lifetime of the appliance.

Our doors are weighted and then opened and closed by the handle 200,000 times during testing to ensure they are robust (200,000 times is equivalent to opening and closing the door 27 times per day for 20 years). Materials are not only tested for suitability and longevity, we also look at how they sound and feel when we use them.

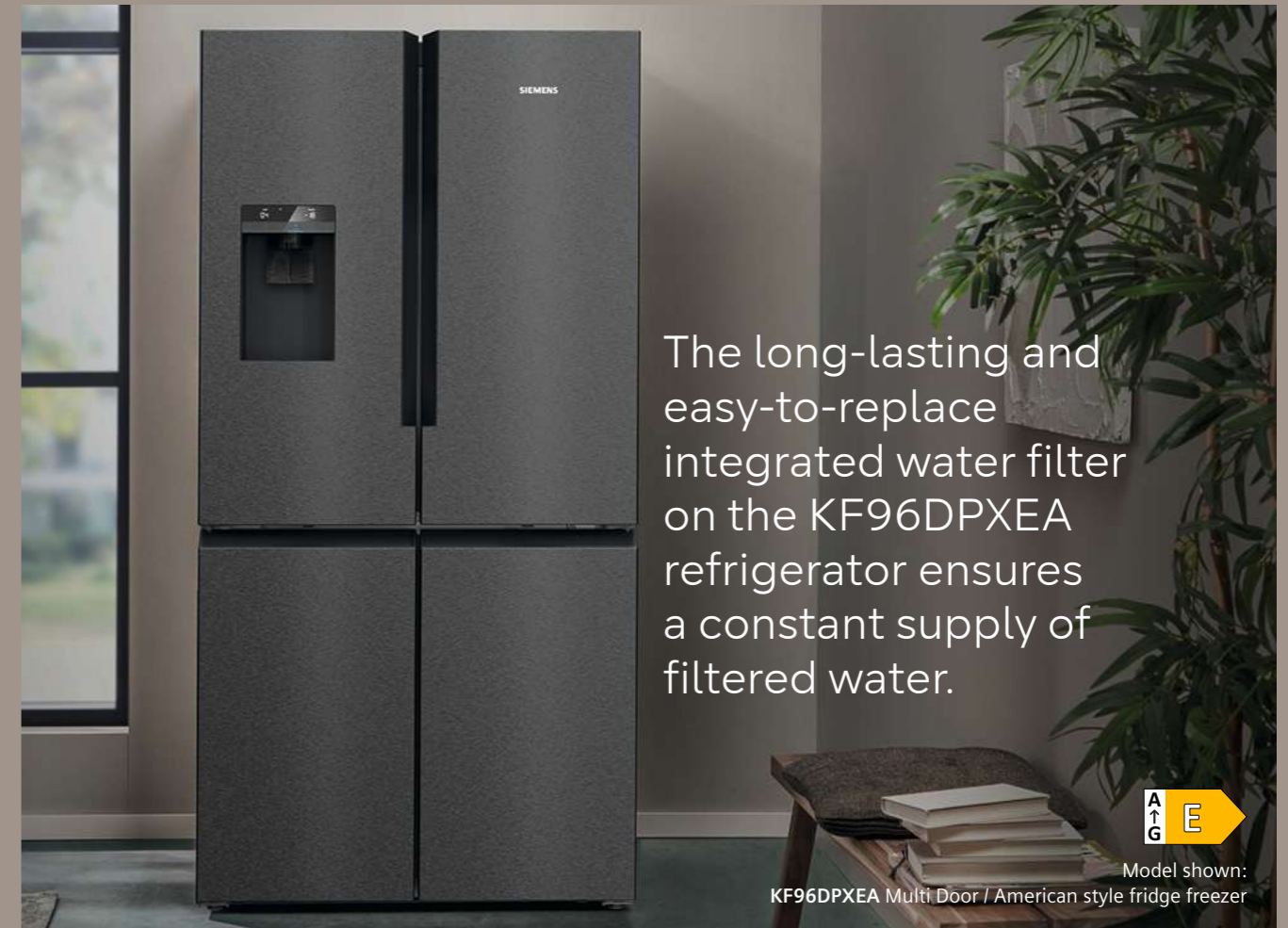
Make a stylish statement in the kitchen

Introducing Multi Door / American style fridge freezers

From the premium double-width shelving to the sleek outer finishes – the Multi Door / American style fridge freezers are designed to stand out in the kitchen. Behind the scenes, our cooling technologies such as multiAirFlow and fresh boxes provide the optimum temperatures to keep all food and drink at their best. While adjustable shelving and smart compartments make it easy to personalise the fridge space and keep shopping organised. Defrosting the freezer will not be needed ever again with our noFrost technology, preventing frost build up.



Model shown: KF96DPXEA Multi Door / American style fridge freezer



The long-lasting and easy-to-replace integrated water filter on the KF96DPXEA refrigerator ensures a constant supply of filtered water.



Model shown: KF96DPXEA Multi Door / American style fridge freezer

Refreshment anytime

The KF96DPXEA is the perfect combination, where freshness meets intelligent design. Featuring a quick ice and water dispenser with bottle fill function that can dispense up to 5kg of ice per day (cubes or crushed).

It can also dispense freshly filtered water as needed with the built-in UltraClarityPro water filter. It also features a multi purpose shelf, which can be used as a bottle rack or flat, giving storage flexibility.



Adaptable storage in the perfect light.

Multi purpose shelf

Engineered for ultimate flexibility, the Multi purpose shelf offers an intelligent solution for adaptable storage. Crafted from premium aluminum, its design features precision grooves to securely hold bottles and jars. When not required for beverages, it seamlessly functions as a conventional flat rack, creating versatile space for a wide range of food items.



Lighting the way

The integrated LED back wall of the KF96DPXEA offers a striking and functional design feature. It bathes the entire cavity in uniform, shadow-free light, ensuring a complete and clear overview of all contents, from the top shelf to the lowest drawer.





Built-in look, freestanding ease: installation explained

When installing a freestanding appliance to achieve a built-in look, it's important to consider the dimensions of surrounding walls and cabinets, especially their depth.

This affects the necessary side gaps for the appliance doors to open fully to 118°.

If space is limited, note that drawers can still be accessed with the appliance door open at a 90° angle.

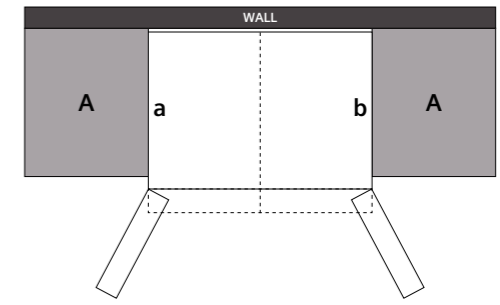
For installations near a wall, a 90° door stopper can be used to prevent damage to the door and surrounding furniture; this can be ordered online using code 10012733.

A ≤ 600 mm

If the Cabinet/Furniture or wall depth on either side of the appliance is 600mm or less, no gap is required on either side of the appliance.

The drawers and the shelves will open at 90° angle.

Dimensions shown are the maximum depth with the doors open 1102 mm and the maximum width with 1383 mm.

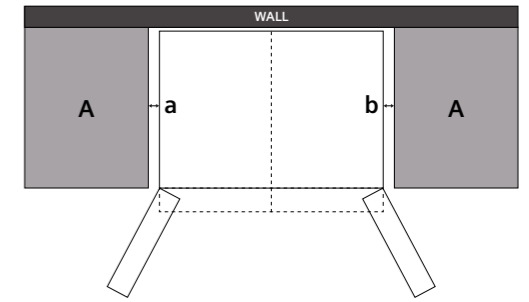


600 < A ≤ 650 mm

If the (A) Cabinet/Furniture or wall depth on either side of the appliance is between 600mm – 650mm a gap of 45mm is required on either side of the appliance.

The drawers and the shelves will open at 90° angle.

Dimensions shown are the maximum depth with the doors open 1102 mm and the maximum width with 1383 mm.

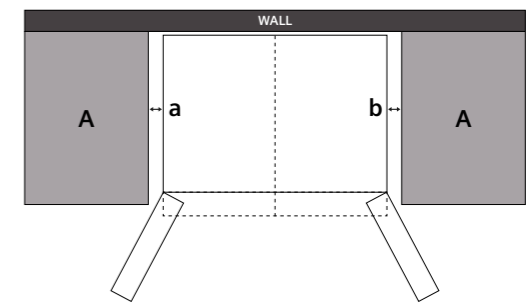


650 < A ≤ 700 mm

If the (A) Cabinet/Furniture or wall depth on either side of the appliance is between 650mm – 700mm a gap of 60mm is required on either side of the appliance.

The drawers and the shelves will open at 90° angle.

Dimensions shown are the maximum depth with the doors open 1102 mm and the maximum width with 1383 mm.

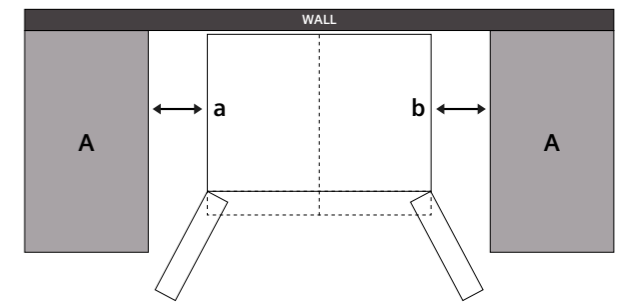


A > 700 mm

If the (A) Cabinet/Furniture or wall depth on either side of the appliance is larger than 700mm a gap of 239 mm is required on either side of the appliance.

The drawers and the shelves will open at 90° angle.

Dimensions shown are the maximum depth with the doors open 1102 mm and the maximum width with 1383 mm.



Scenario 1 – Multi Door with water/without water

KF96DPXEA / KF96NAXEAG

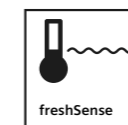
A = Kitchen cabinet or Worktop depth	a (mm)	b (mm)	What this means...
≤ 600	0	0	When the depth (A) is less than 600 mm, there is no need to have a gap on either side of the appliance to allow it to open fully to the maximum 118° angle.
600 < A ≤ 650	45	45	When the depth (A) is between 600 mm and 650 mm, a gap of 45 mm is required on either side to allow the doors to open fully to the maximum 118° angle.
650 < A ≤ 700	60	60	When the depth (A) is between 650 mm and 700 mm, a gap of 60 mm is required on either side to allow the doors to open fully to the maximum 118° angle.
> 700	239	239	When the depth (A) is more than 700 mm, a gap of 239 mm is required on either side to allow the doors to open fully to the maximum 118° angle.

Experience intelligent cool



Model shown: KG39NVXBG fridge freezer

Fresh food for longer with sensor controlled cool.



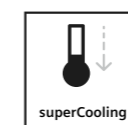
freshSense

Fresh food guaranteed for longer. With conventional fridges, varying surrounding temperatures and the continuous opening of the refrigerator door lead to temperature changes inside the appliance. To ensure this does not affect the food inside, sensors immediately react to any changes. The freshSense sensors activate as soon as a change in temperature is registered and compensates for this change in an instant. Therefore, the temperature always remains within the optimum range, and food stays fresh and delicious for longer.



Inverter motor

The intelligent inverter technology is a clever combination of the inverter motor and sensor. The sensors register every slight change in temperature or humidity inside the refrigerator, for example when the door is opened or warm food is stored. This information is then passed to the inverter motor, which adapts its need for energy accordingly. This means food can be cooled intelligently and energy efficiently, and thanks to the high-quality inverter motor, incredibly quietly.



superCooling

Ensures that warmer food entering the fridge does not increase the fridge temperature, which can affect other food.



superFreezing

superFreezing makes sure that warmer food added to the freezer does not raise the freezer temperature, stopping food partially defrosting.



Wrap around evaporator

This new technology creates more space in the freezer cavity, allowing for more innovations like bigBox for large food items, plus removable glass drawers.



iceTwister

Simply activate the iceTwister and receive up to 20 ice cubes at once right away. The water tank is very easy to remove for reliable refilling.

Explore more features that work around busy lifestyles.



safetyGlass shelves

All safety glass shelves are made from extra strong, easy-to-clean glass. If something tips over, the spillage is contained and does not spill into the rest of the refrigerator compartment.



Holiday mode

Holiday Mode will ensure that food in the freezer stays cold enough to maintain freshness whilst reducing its energy output. Our fridges also feature a warning alarm that signals when the door has been left open, ensuring that energy is not needlessly wasted and preserving the food inside.

Cooling product overview







Home Connect

Freestanding multi door / American style fridge freezers

Product Type	Multi Door / American style fridge freezer
	1830mm height
Multi Door / American style fridge freezer – with ice and water dispenser	 <p>KF96DPXEA ● IQ700</p> <ul style="list-style-type: none"> • 574 litre capacity • 905mm width • 731mm depth • 2 hyperFresh drawers • Total noFrost • Crushed ice, ice cubes and chilled water <p>5 year warranty</p>
	905mm width
Multi Door / American style fridge freezer – without ice and water dispenser	 <p>KF96NAXEAG ● IQ300</p> <ul style="list-style-type: none"> • 605 litre capacity • 905mm width • 731mm depth • 2 hyperFresh drawers • Total noFrost <p>5 year warranty</p>
	908mm width

Freestanding single door fridges, freezers and wine cabinet




Product Type	Single door fridges	Single door wine cabinet
	1860mm height	
Single door fridges	 <p>KS36NAXCG ● IQ500</p> <ul style="list-style-type: none"> • 402 litre capacity • 595mm width • 615mm depth • 3 hyperFresh drawers • 1 0°C box • Can sit side-by-side with GS36NAXCG <p>5 year warranty</p>	 <p>KW36KATGA ● IQ500</p> <ul style="list-style-type: none"> • 370 litre capacity • Holds 199 x 0.75cl Bordeaux bottles • 600mm width • 610mm depth • 2 temperature zones • 10 shelves • Presenter shelf and lighting <p>2 year warranty</p>
	600mm width	
	1860mm height	
Product Type	Single door freezers	
	1860mm height	
Single door freezers	 <p>GS36NAXCG ● IQ500</p> <ul style="list-style-type: none"> • 333 litre capacity • 595mm width • 615mm depth • Total noFrost • Can sit side-by-side with KS36NAXCG <p>5 year warranty</p>	 <p>GS36NVICGG ● IQ300</p> <ul style="list-style-type: none"> • 333 litre capacity • 600mm width • 650mm depth • Total noFrost • Can sit side-by-side with KGS36NVICGG <p>5 year warranty</p>
	600mm width	

Cooling product overview



Home Connect

Freestanding fridge freezers

		70/30 split	
		Fridge freezers	
		2030mm height	
Product Type			
	Fridge freezers		
600mm width		 <p>KG39NAIAU ■ IQ500 • 363 litre capacity • 600mm width • 665mm depth • 2 hyperFresh drawers • Total noFrost</p> <p>KG39NVIBG ■ IQ300 • 363 litre capacity • 600mm width • 665mm depth • 2 hyperFresh drawers • Total noFrost</p>	 <p>KG39NVIBG ■ IQ300 • 363 litre capacity • 600mm width • 665mm depth • 2 hyperFresh drawers • Total noFrost</p>
700mm width			
	Fridge freezers - XL	 <p>KG49NVIBG ■ IQ300 • 440 litre capacity • 700mm width • 667mm depth • 2 hyperFresh drawers • Total noFrost</p>	

		70/30 split	
		Fridge freezers	
		2030mm height	
Product Type			
	Fridge freezers		
600mm width		 <p>KG36NVICG ■ IQ300 • 321 litre capacity • 600mm width • 665mm depth • 2 hyperFresh drawers • Total noFrost</p> <p>KG39NVXBG ■ IQ300 • 363 litre capacity • 600mm width • 665mm depth • 2 hyperFresh drawers • Total noFrost</p>	 <p>KG39NVXBG ■ IQ300 • 363 litre capacity • 600mm width • 665mm depth • 2 hyperFresh drawers • Total noFrost</p>
700mm width			

Wine cabinet

iQ500 KW36KATGA

Freestanding wine cabinet
Silver, glass door



Wine cabinet specifications

Freestanding wine cabinet	
Appliance type	iQ500
Design family	KW36KATGA
Model number	
Design features	
Colour of door panels	Silver
Colour of side panels	Black
Type of glass door	3 glass panels, UV-filtered
Door handle type	Integrated vertical bar handle
Temperature display	Interior / Digital LED
Reversible door, hinged on right	■
Home Connect / Built-in cameras	-
Key features – wine cabinet section	
Range of temperature (0°C)	7 - 19
Temperature zones	2
LED light	LED
Number of shelves	10
Number of oak shelves	8
Number of adjustable shelves	4
Presenter shelf and lighting	■
Capacity in 0.75l (Bordeaux bottles)	199
Functions	
Door open warning signal/malfunction	■
Child lock	■
Performance & consumption	
Energy efficiency class	A+G
Energy consumption ¹ (kWh/annum)	155
Refrigerator net capacity (litres)	370
Climate Class ²	SN-ST
Sabbath mode	-
Noise level (dB [A] re 1pW)	38
Noise level class	C
Height of product (mm)	1860
Width of product (mm)	600
Depth of product (mm)	610

■ Yes, model has this feature. – Feature not available for this model.

¹ Actual energy consumption will depend on how the appliance is used and where it is located.

² Climate zone SN = designed to operate in ambient temperature of +10°C to 32°C.
Climate zone ST = designed to operate in ambient temperature of +16°C to 38°C

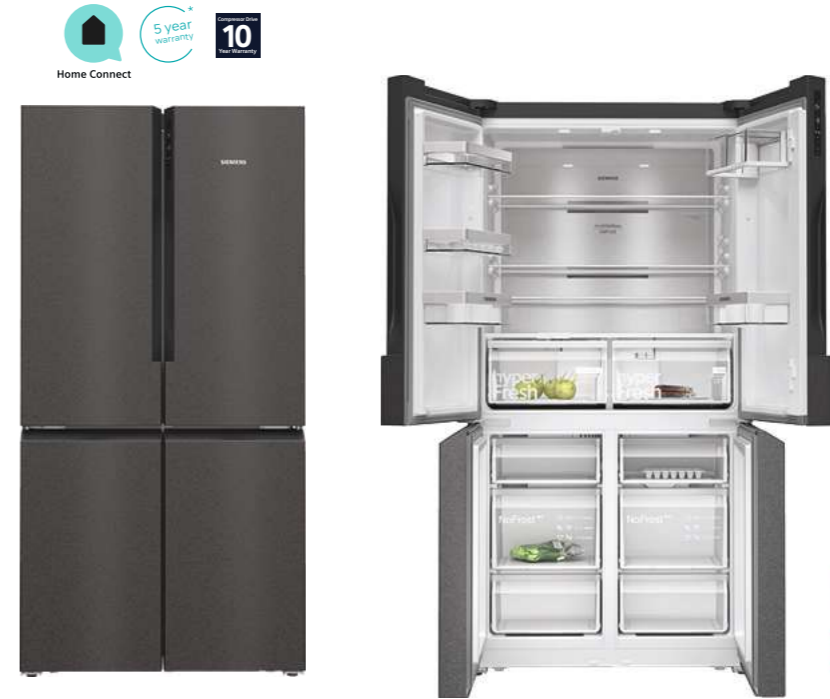
Data valid in this table as of April 2026. Subject to modification without prior notice.



Model shown:
KW36KATGA wine cabinet

iQ 700 KF96DPXEA

Multi Door / American style fridge freezer
Brushed black steel anti-fingerprint



Multi Door / American style fridge freezer specifications

Appliance type	Freestanding 90cm
Design family	iQ 700
Model number	KF96DPXEA
Design features	
Colour of door panels	Brushed black steel anti-fingerprint
Colour of side panels	Cast iron
Style of handle	Horizontal and vertical integrated handle
Colour of handle	Black
noFrost / Total noFrost	Total noFrost
Home Connect	■
Food freshness system	
hyperFresh	2 x hyperFresh drawers
Key features – fridge section	
Product highlights	LED
superCooling function	■
Type of control	Electronic
Number of shelves	5
Number of adjustable shelves	4
Bottle shelves in fridge	1
Number of door bins / shelves	5
Temperature display	Digital
Warning signal door open	■
Key features – freezer section	
superFreezing function	■
Temperature adjustable in freezer	■
Number of ice cube trays	Automatic ice cube maker
Ice dispenser features	Crushed ice, ice cubes, water, water filter
Number of freezer drawers	6
Additional information	
Energy efficiency class	A
Energy consumption ¹ (kWh/annum)	327
Total net capacity (litres)	574
Refrigerator net capacity (litres)	375
Freezer net capacity (litres)	199
Climate class ²	SN-T
Noise level (dB [A] re 1pW)	39
Noise level class	C
Sabbath mode	■
10 year compressor warranty	■
Additional accessories included	1 x connection hose
Height of product (mm)	1830
Width of product (mm)	905
Depth of product (mm)	731

■ Yes, model has this feature. – Feature not available for this model.

¹ Actual energy consumption will depend on how the appliance is used and where it is located.

² Climate zone SN – designed to operate in ambient temperature of +10°C to 32°C. Climate zone T – designed to operate in ambient temperature of +18°C to 43°C.

Data valid in this table as of April 2026. Subject to modification without prior notice.

*5 year warranty - Offer dates: 01.04.26 – 31.03.27. T&C's apply. Online registration required.

Multi Door / American style fridge freezer specifications

Appliance type	Freestanding 90cm
Design family	iQ 300
Model number	KF96NAXEAG
Design features	
Colour of door panels	Brushed black steel anti-fingerprint
Colour of sides	Cast iron
Style of handle	Horizontal and vertical integrated handle
Colour of handle	Black
noFrost / Total noFrost	Total noFrost
Home Connect	■
Food freshness system	
hyperFresh	2 x hyperFresh drawers
Key features – fridge section	
Product highlights	LED
superCooling function	■
Type of control	Electronic
Number of shelves	4
Number of adjustable shelves	3
Bottle shelves in fridge	–
Number of door bins / shelves	5
Temperature display	Digital
Warning signal door open	■
Key features – freezer section	
superFreezing function	■
Temperature adjustable in freezer	■
Number of ice cube trays	1
Ice dispenser features	–
Number of freezer drawers	6
Additional information	
Energy efficiency class	A
Energy consumption ¹ (kWh/annum)	333
Total net capacity (litres)	605
Refrigerator net capacity (litres)	405
Freezer net capacity (litres)	200
Climate class ²	SN-T
Noise level (dB [A] re 1pW)	38
Noise level class	C
Sabbath mode	■
10 Year Compressor Warranty	■
Additional accessories included	–
Height of product (mm)	1830
Width of product (mm)	905
Depth of product (mm)	731

■ Yes, model has this feature. – Feature not available for this model.

¹ Actual energy consumption will depend on how the appliance is used and where it is located.

² Climate zone SN – designed to operate in ambient temperature of +10°C to 32°C. Climate zone T – designed to operate in ambient temperature of +18°C to 43°C.

Data valid in this table as of April 2026. Subject to modification without prior notice.

*5 year warranty - Offer dates: 01.04.26 – 31.03.27. T&C's apply. Online registration required.

Freestanding fridge freezers



10 Year Warranty



iQ500 KG39NAIAU

Freestanding fridge freezer
Brushed steel anti-fingerprint

Freestanding fridge freezer
Total noFrost specifications



Appliance type	Freestanding fridge freezer Total noFrost
Design family	iQ500
Model number	KG39NAIAU
Design features	
Colour of door panels	Brushed steel anti-fingerprint
Colour of sides	Pearl grey
Style of handle	Vertical bar handle
Colour of handle	Inox metallic
noFrost / Total noFrost	Total noFrost
Home Connect	-
Food freshness system	
hyperFresh	2 x hyperFresh drawers
Key features – fridge section	
Light	LED
superCooling function	■
Type of control	Electronic
Number of shelves	5
Number of adjustable shelves	3
Number of door bins / shelves	3
Type of shelves	Safety glass
Temperature display	Digital LED
Warning signal door open	■
Bottle shelves in fridge	■
Key features – freezer section	
superFreezing function	■
Temperature adjustable in freezer	■
Number of ice cube trays	1
Bottle shelves in fridge	3
Additional information	
Energy efficiency class	A
Energy consumption ¹ (kWh/annum)	104
Total net capacity (litres)	363
Freezer net capacity (litres)	103
Climate Class ²	SN-T
Noise level (dB [A] re 1pW)	29
Noise level class	A
Sabbath mode	■
10 Year Compressor Warranty	■
Additional accessories included	1 x ice cube tray 1 x bottle support 1 x bottle cooler
Height of product (mm)	2030
Width of product (mm)	600
Depth of product (mm)	665

■ Yes, model has this feature. – Feature not available for this model.

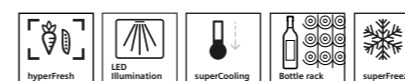
¹ Actual energy consumption will depend on how the appliance is used and where it is located.

² Climate zone SN = designed to operate in ambient temperature of +10°C to 32°C.

Climate zone T = designed to operate in ambient temperature of +18°C to 43°C.

Data valid in this table as of April 2026. Subject to modification without prior notice.

*10 year warranty - Offer dates: 01.04.26 – 31.12.26. T&C's apply. Online registration required.



Model shown:
KG39NAIAU fridge freezer



Freestanding fridge freezer
Total noFrost specifications

Appliance type	Freestanding fridge freezers Total noFrost		
Design family	iQ300	iQ300	iQ300
Model number	KG39NVIBG	KG36NVICG	KG39NVXBG
Design features			
Colour of door panels	Brushed steel anti-fingerprint	Inox Anti-Fingerprint	Brushed steel anti-fingerprint
Colour of sides	Pearl grey	Pearl grey	Cast iron
Style of handle	Integrated vertical handle	Integrated vertical handle	Integrated vertical handle
Colour of handle	–	–	–
noFrost / Total Total noFrost	Total noFrost	Total noFrost	Total noFrost
Home Connect	–	–	–
Food freshness system			
hyperFresh	2 x hyperFresh drawers	2 x hyperFresh drawers	2 x hyperFresh drawers
Key features – fridge section			
Light	LED	LED	LED
superCooling function	■	■	■
Type of control	Electronic	Electronic	Electronic
Number of shelves	5	4	5
Number of adjustable shelves	3	4	3
Number of door bins / shelves	4	3	4
Type of shelves	Safety glass	Safety glass	Safety glass
Temperature display	Digital LED	Digital LED	Digital LED
Warning signal door open	■	■	■
Bottle shelves in fridge	■	■	■
Key features – freezer section			
superFreezing function	■	■	■
Temperature adjustable in freezer	■	■	■
Number of ice cube trays	1	1	1
Bottle shelves in fridge	3	3	3
Additional information			
Energy efficiency class			
Energy consumption ¹ (kWh/annum)	129	159	129
Total net capacity (litres)	363	321	363
Freezer net capacity (litres)	103	103	103
Climate Class ²	SN-T	SN-T	SN-T
Noise level (dB [A] re 1pW)	33	35	33
Noise level class	B	B	B
Sabbath mode	■	■	■
10 Year Compressor Warranty	■	■	■
Additional accessories included	1 x ice cube tray 1 x bottle support	1 x ice cube tray 1 x bottle support	1 x ice cube tray 1 x bottle support
Height of product (mm)	2030	1860	2030
Width of product (mm)	600	600	600
Depth of product (mm)	665	665	665

■ Yes, model has this feature. – Feature not available for this model.

¹Actual energy consumption will depend on how the appliance is used and where it is located.
²Climate zone SN = designed to operate in ambient temperature of +10°C to 32°C.
Climate zone T = designed to operate in ambient temperature of +18°C to 43°C.

Data valid in this table as of April 2026. Subject to modification without prior notice.
*5 year warranty - Offer dates: 01.04.26 – 31.03.27. T&C's apply. Online registration required.



Freestanding fridge freezer
Total noFrost specifications

Appliance type	XL Freestanding fridge freezer Total noFrost
Design family	iQ300
Model number	KG49NVIBG
Design features	
Colour of door panels	Brushed steel anti-fingerprint
Colour of sides	Pearl grey
Style of handle	Integrated vertical handle
Colour of handle	–
noFrost / Total Total noFrost	Total noFrost
Home Connect	–
Food freshness system	
hyperFresh	2 x hyperFresh drawers
Key features – fridge section	
Light	LED
superCooling function	■
Type of control	Electronic
Number of shelves	5
Number of adjustable shelves	3
Number of door bins / shelves	4
Type of shelves	Safety glass
Temperature display	Digital LED
Warning signal door open	■
Bottle shelves in fridge	■
Key features – freezer section	
superFreezing function	■
Temperature adjustable in freezer	■
Number of ice cube trays	1
Bottle shelves in fridge	3
Additional information	
Energy efficiency class	
Energy consumption ¹ (kWh/annum)	142
Total net capacity (litres)	440
Freezer net capacity (litres)	129
Climate Class ²	SN-T
Noise level (dB [A] re 1pW)	35
Noise level class	B
Sabbath mode	■
10 Year Compressor Warranty	■
Additional accessories included	1 x ice cube tray 1 x bottle support
Height of product (mm)	2030
Width of product (mm)	700
Depth of product (mm)	667

■ Yes, model has this feature. – Feature not available for this model.

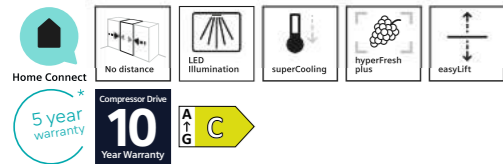
¹Actual energy consumption will depend on how the appliance is used and where it is located.
²Climate zone SN = designed to operate in ambient temperature of +10°C to 32°C.
Climate zone T = designed to operate in ambient temperature of +18°C to 43°C.

Data valid in this table as of April 2026. Subject to modification without prior notice.
*5 year warranty - Offer dates: 01.04.26 – 31.03.27. T&C's apply. Online registration required.

Upright single door fridges

iQ500 KS36NAXCG

Freestanding fridge
Black inox



Freestanding upright single door
fridge specifications

Appliance type	Upright single door fridge
Design family	iQ500
Model number	KS36NAXCG
Design features	
Colour of door panels	Black inox
Colour of side panels	Cast iron
Style of handle	Vertical bar handle
Colour of handle	Dark inox
noFrost / Total noFrost	-
Home Connect	■
Food freshness system	
hyperFresh	3 x hyperFresh drawers 1 x 0°C drawer
Key features	
Light	LED
superCooling function	■
Type of control	Electronic
Number of shelves	5
Number of adjustable shelves	4
Number of door bins / shelves	5
Type of shelves	Safety glass
Temperature display	Digital LED
Warning signal door open	■
Bottle shelves in fridge	■
Additional information	
Energy efficiency class	A+ C
Energy consumption ¹ (kWh/annum)	110
Total net capacity (litres)	402
Freezer net capacity (litres)	-
Climate Class ²	SN-T
Noise level (dB [A] re 1 pW)	35
Noise level class	B
Sabbath mode	■
10 Year Compressor Warranty	■
Additional accessories included	1 x bottle support
Height of product (mm)	1862
Width of product (mm)	595
Depth of product (mm)	615

■ Yes, model has this feature. – Feature not available for this model.

¹ Actual energy consumption will depend on how the appliance is used and where it is located.
² Climate zone SN = designed to operate in ambient temperature of +10°C to 32°C.
Climate zone T = designed to operate in ambient temperature of +18°C to 43°C.

Data valid in this table as of April 2026. Subject to modification without prior notice.
*5 year warranty - Offer dates: 01.04.26 – 31.03.27. T&C's apply. Online registration required.

Freestanding upright single door
fridge specifications

Appliance type	Upright single door fridge
Design family	iQ300
Model number	KS36NVICGG
Design features	
Colour of door panels	Inox look
Colour of side panels	Pearl grey
Style of handle	Vertical bar handle
Colour of handle	Stainless steel
noFrost / Total noFrost	-
Home Connect	■
Food freshness system	
hyperFresh	3 x hyperFresh drawers 1 x 0°C drawer
Key features	
Light	LED
superCooling function	■
Type of control	Electronic
Number of shelves	5
Number of adjustable shelves	4
Number of door bins / shelves	5
Type of shelves	Safety glass
Temperature display	Digital LED
Warning signal door open	-
Bottle shelves in fridge	■
Additional information	
Energy efficiency class	A+ C
Energy consumption ¹ (kWh/annum)	110
Total net capacity (litres)	402
Freezer net capacity (litres)	-
Climate Class ²	SN-T
Noise level (dB [A] re 1 pW)	35
Noise level class	B
Sabbath mode	■
10 Year Compressor Warranty	■
Additional accessories included	1 x bottle support
Height of product (mm)	1860
Width of product (mm)	595
Depth of product (mm)	615

■ Yes, model has this feature. – Feature not available for this model.

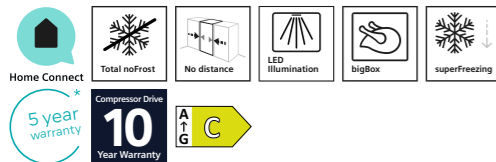
¹ Actual energy consumption will depend on how the appliance is used and where it is located.
² Climate zone SN = designed to operate in ambient temperature of +10°C to 32°C.
Climate zone T = designed to operate in ambient temperature of +18°C to 43°C.

Data valid in this table as of April 2026. Subject to modification without prior notice.
*5 year warranty - Offer dates: 01.04.26 – 31.03.27. T&C's apply. Online registration required.

Upright single door freezers

iQ500 GS36NAXCG

Freestanding freezer
Black inox



Freestanding upright single door freezer specifications

Appliance type	Upright single door freezer
Design family	iQ500
Model number	GS36NAXCG
Design features	
Colour of door panels	Black inox
Colour of side panels	Cast iron
Style of handle	Vertical bar handle
Colour of handle	Dark inox
noFrost / Total noFrost	Total noFrost
Home Connect	■
Food freshness system	
hyperFresh	1 x BigBox 4 x drawers
Key features	
Light	LED
Type of control	Electronic
Temperature display	Digital LED
superFreezing function	■
Temperature adjustable in freezer	■
Number of ice cube trays	Twist ice box
Number of freezer drawers	5
Warning signal door open	■
Additional information	
Energy efficiency class	A+ C
Energy consumption ¹ (kWh/annum)	154
Total net capacity (litres)	333
Freezer net capacity (litres)	333
Climate Class ²	SN-T
Noise level (dB [A] re 1 pW)	35
Noise level class	B
Sabbath mode	■
10 Year Compressor Warranty	■
Additional accessories included	1 x ice twister
Height of product (mm)	1862
Width of product (mm)	595
Depth of product (mm)	615

■ Yes, model has this feature. – Feature not available for this model.

¹ Actual energy consumption will depend on how the appliance is used and where it is located.
² Climate zone SN – designed to operate in ambient temperature of +10°C to 32°C.
Climate zone T – designed to operate in ambient temperature of +18°C to 43°C.

Data valid in this table as of April 2026. Subject to modification without prior notice.
* 5 year warranty - Offer dates: 01.04.26 – 31.03.27. T&C's apply. Online registration required.



Freestanding upright single door freezer specifications

Appliance type	Upright single door freezer
Design family	iQ300
Model number	GS36NVICGG
Design features	
Colour of door panels	Inox look
Colour of side panels	Pearl grey
Style of handle	Vertical bar handle
Colour of handle	Stainless steel
noFrost / Total noFrost	Total noFrost
Home Connect	–
Food freshness system	
hyperFresh	1 x BigBox 4 x drawers
Key features	
Light	LED
Type of control	Electronic
Temperature display	Digital LED
superFreezing function	■
Temperature adjustable in freezer	■
Number of ice cube trays	1
Number of freezer drawers	5
Warning signal door open	■
Additional information	
Energy efficiency class	A+ C
Energy consumption ¹ (kWh/annum)	154
Total net capacity (litres)	333
Freezer net capacity (litres)	333
Climate Class ²	SN-T
Noise level (dB [A] re 1 pW)	35
Noise level class	B
Sabbath mode	■
10 Year Compressor Warranty	■
Additional accessories included	1 x Ice cube tray
Height of product (mm)	1860
Width of product (mm)	600
Depth of product (mm)	650

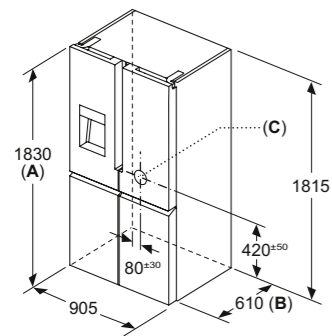
■ Yes, model has this feature. – Feature not available for this model.

¹ Actual energy consumption will depend on how the appliance is used and where it is located.
² Climate zone SN – designed to operate in ambient temperature of +10°C to 32°C.
Climate zone T – designed to operate in ambient temperature of +18°C to 43°C.

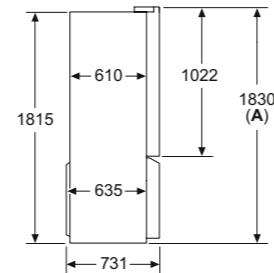
Data valid in this table as of April 2026. Subject to modification without prior notice.
* 5 year warranty - Offer dates: 01.04.26 – 31.03.27. T&C's apply. Online registration required.

Cooling technical diagrams

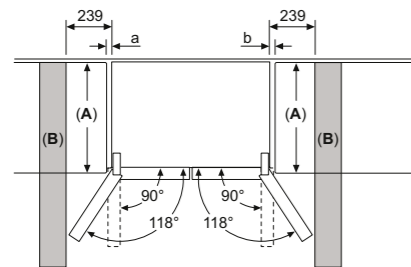
Multi Door / American style fridge freezer KF96DPXEA



- A: Front is adjustable 1830–1847 mm, with front levelling feet fully extended
- B: Add 25 mm for fixed spacers on back
- C: Water connection position

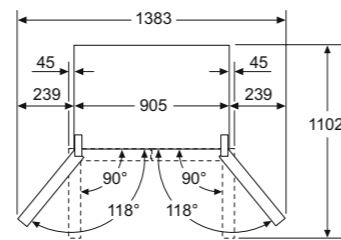


A: Front is adjustable 1830–1847 mm, with front levelling feet fully extended

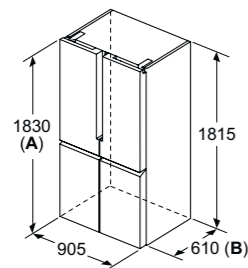


A	a	b
≤ 600	0	0
600 < A ≤ 650	45	45
650 < A ≤ 700	60	60
> 700	239	239

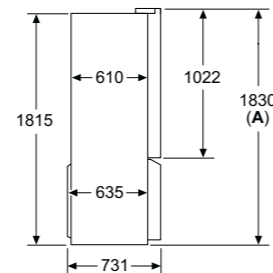
- A: Kitchen cabinet or worktop depth
- B: Wall
Drawers can be pulled and taken out with door open to 90°



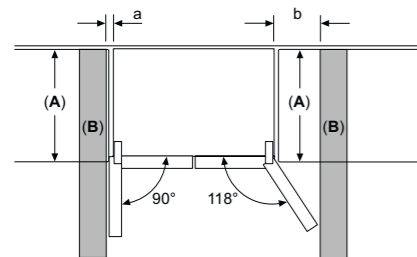
Multi Door / American style fridge freezer KF96NAXEAG



- A: Front is adjustable from 1830 to 1847, with front levelling feet fully extended
- B: Add 25 for fixed spacers on back

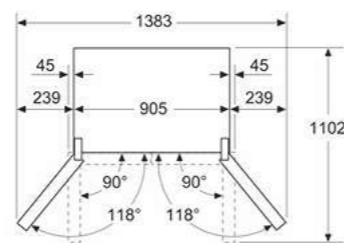


A: Front is adjustable from 1830 to 1847, with front levelling feet fully extended



A	a	b
600	0	0
650	0	33
700	45	60
B	45	238

- A: Unit depth
- B: Wall



Innovative features for sparkling results

Siemens built-in dishwashers feature modern design and innovative ideas for seamless living.

Siemens dishwashers are equipped with practical innovations such as varioSpeed Plus, which washes and dries your dishes three times faster than the average cycle, and Zeolith® drying technology that transforms humidity into heat for gentle and effective drying results.

With maximum flexibility from adjustable baskets and foldable racks to stylish innovations such as sideLight and timeLight floor projection, Siemens dishwashers provide the perfect balance between modern design and innovative technology. The ideal solution for family dinners or hosting parties for friends with the assurance of sparkling clean dishes and glasses.



Model shown: SN97TX02CE
fully integrated dishwasher

Siemens built-in dishwasher warranties:



5 year warranty

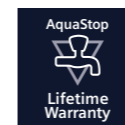
A five year warranty is available on all built-in dishwasher models listed in this brochure, to protect against manufacturing and material faults during this warranty period.

*Offer dates: 01.04.26 – 31.03.27. Registration required.
For full T&Cs and qualifying appliances visit [siemens-home.bsh-group.com/uk/customer-service/siemens-warranties](https://www.siemens-home.bsh-group.com/uk/customer-service/siemens-warranties)



10 Year Anti-Rust Warranty

All Siemens dishwashers purchased from the 1st January 2012 onwards have a 10 Year Anti-Rust Warranty to protect against rust in the inner cavity of the appliance.



Lifetime AquaStop Warranty

All Siemens built-in dishwashers listed in this brochure have a lifetime AquaStop warranty to protect against water damage caused by a defective AquaStop system.

To find out more about warranty and for registration, please visit:
UK: [siemens-home.bsh-group.com/uk/customer-service/siemens-warranties](https://www.siemens-home.bsh-group.com/uk/customer-service/siemens-warranties)
IE: [siemens-home.bsh-group.com/ie/customer-service/warranty](https://www.siemens-home.bsh-group.com/ie/customer-service/warranty)



Model shown: SN97TX02CE fully integrated dishwasher with blue emotionLight

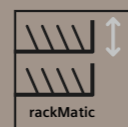
Key dishcare features

All our dishwashers feature glass care technology, they regulate the degree of hardness in the water to help optimise the protection of glasses, as soft water can cause glass corrosion.

The priority zone for gentle and thorough washing of the most valuable glasses.



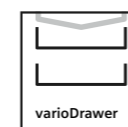
glassZone
Thanks to the glassZone, even the most valuable of glasses can go in the dishwasher with peace of mind. The six integrated nozzles ensure continuous but gentle water supply which enables thorough cleaning without damaging sensitive materials. In addition, integrated soft anti-slip elements give a secure hold, protect against mechanical stress and prevent damage to glass rims. Available on iQ700 and iQ500 dishwashers.



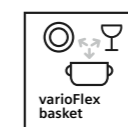
rackMatic™
Available across all storage solutions, this feature conveniently allows the user to raise and lower the height of the top basket to create more or less space, even when the dishwasher is loaded.



Storage solutions for added flexibility and better results.



varioDrawer
By adding a third shelf for cutlery, varioDrawer removes the need for a cutlery basket and creates more space.



varioFlex basket system
The varioFlex basket has 2 flexible areas in the top rack and 4 in the bottom, providing extra flexibility within the dishwasher to create more space for larger items.

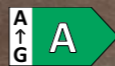


flexComfort basket system
These baskets have the ability to fold down certain compartments within the cavity for extra room – the top rack has 2 areas that can be adjusted for extra flexibility, whilst the bottom basket has 8 areas that can be adjusted to create more space. The inside of your dishwasher is constantly adaptable. Anti-slip elements and stemware support hold have also been added, meaning it has never been as easy to load your dishwasher.



flexComfort Pro basket system
The flexComfort Pro basket system is designed to hold larger plates and allows you to create extra space for pots and pans with ease. Choose from up to 6 flexible areas in the top rack and up to 8 flexible areas in the bottom basket to create extra space. Blue touchpoints inside the baskets indicate all the adjustment options available at a glance, and the easyGlide wheels on the upper basket make loading the dishwasher even easier. Other features such as anti-slip elements and stemware support hold means you can easily and securely load your glassware and get on with your day, chore free.





Model shown: SN97TX02CE
fully integrated dishwasher with blue emotionLight

Zeolith®: Super efficient drying technology.



Using advanced drying technologies, Siemens dishwashers keep energy consumption to a minimum. Zeolith®, a form of zeolite mineral, has the astonishing ability to absorb moisture and convert it to heat. The heat produced naturally by the Zeolith® is used for the drying cycle. No additional energy is therefore required to heat up the contents of the dishwasher for the drying process (as with a standard drying system). This leads to excellent drying results, with less energy usage.*

Zeolith® is stored in the depths of the dishwasher. It regenerates itself and keeps working for the lifetime of the machine, so it never needs replacing. Combine this with the economy 50°C programme to get brilliant results with minimal energy.

Better drying results on plastic*

The combination of higher air temperature and much lower humidity evaporates water beads on plastics and prevents steam from recondensing on cold surfaces – what makes plastics hard to dry (low thermal mass and water that clings as droplets). Because Zeolith® continuously supplies dry, warm air throughout the cycle, plastics dry more thoroughly and faster without heavy extra heating, improving energy efficiency and leaving mixed loads consistently drier and streak-free.

*Drying results of a Siemens dishwasher with Zeolith® drying compared to a dishwasher without Zeolith® drying, based on standard household plastic dishes, determined in the ECO50 programme with a standard household load using Finish Ultimate Plus.

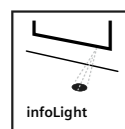
Cleaning phase
During the cleaning phase the Zeolite mineral is heated up, recharging it, ready to absorb moisture once more.



Drying phase
During the drying phase Zeolith® absorbs and converts moisture to heat.

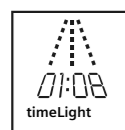


Floor projection displays.



infoLight

Projects a beam of light onto the floor to show the dishwasher is running. This prevents needing to open the door while the cycle is still active to see if it is finished.



timeLight

Useable on any colour surface, the innovative timeLight projects the remaining time and other essential dishwasher cycle information onto the floor, making it easy to check on the cycle status.

With quiet dishwashers, this solution shows the dishwasher is running and how long is left at a glance, to avoid having to open the door mid-cycle to check.

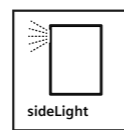


Light up the dishwasher.



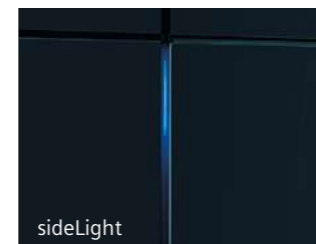
emotionLight

Creates a soothing atmosphere by using LED lights to cast a soft glow on sparkling-clean glasses. When the dishwasher door is open, it emits a cool blue light, and automatically turns off when the door is closed. This adds an elegant touch to your kitchen environment.



sideLight

With the sideLight, it is easy to immediately see whether the washing programme is still running. During operation, the blue light strip illuminates the furniture gap on the left hand side of the dishwasher. Only available on selected models.



Added kitchen convenience.



autoOpen dry

Gentle drying thanks to autoOpen dry. During the drying process, the door opens automatically allowing dishes to naturally dry without the need for additional energy.



Silence programme

When the Silence programme is selected the dishwasher's noise level is reduced by 2-3dB. This is achieved by decreasing water pressure and extending run time. Available on iQ700 and iQ500 dishwashers.



Silence on Demand

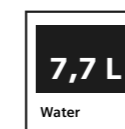
If silence is needed during the wash cycle, the dishwasher can be paused for up to 30 minutes by using Silence on Demand with Siemens Home Connect. This can be activated via the app or voice control. Available on iQ700 and iQ500 dishwashers.



Hygiene Plus

Great for cleaning chopping boards, food containers and utensils. It heats up to extra high temperature in the final rinse for maximum hygiene, regardless of the chosen cycle.*

*Not on delicate programme.



Water consumption

Our built-in dishwashers' lowest water usage programme is 7.7L per cycle* if the Eco 50 programme is selected, for the most resource efficient option.

*Based on SN95ZX62CG



Machine Care with Siemens dishwashers

For excellent results when washing and drying, looking after the dishwasher correctly is important. All of our integrated Siemens dishwashers include the Machine Care Programme.

This programme is designed to be used together with a dishwasher cleaning detergent and provides a short, high temperature, high pressure wash designed to remove limescale and grease build up inside the dishwasher and outlet pipes. The dishwasher will send a reminder every 30 cycles or so to run this programme, to keep the appliance running as efficiently as possible.

Discover top of the range displays



and seamlessly fitted varioHinge options

Multiple choices for display type to suit every need.

Black touch control with TFT display and real-time clock
The clear, high resolution touch controlled TFT display makes it easy to select programmes, settings and check the dishwasher status at a glance. Thanks to the real-time clock, it is now possible to set the exact time the dishes will be ready, for extra convenience. Perfect for delivering warm plates to the dinner table.



Model shown: SN97TX02CE fully integrated dishwasher

Black touch control with LED display
With the same top of the range sleek black touch control panel, it has a clear LED display screen which displays the programme setting and duration time.



Model shown: SN95ZX62CG fully integrated dishwasher

Black / Stainless Steel touch control button and LED display
The two zone design is stylish and functional, with direct button selection and a white LED display, providing clear status information. When a programme and option is selected, a blue LED illuminates under the button.



Model shown: SX73HX03VG fully integrated extra height 86.5cm dishwasher

Black push button control with toggle and LED display
With black buttons, a toggle screen and an LED screen, which displays programme settings and duration time, this easy to use interface is practical and stylish.



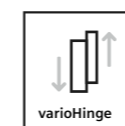
Model shown: SN61HX00KG fully integrated dishwasher

Stainless steel push button control and LED display
With stainless steel buttons and an LED screen which displays programme settings and duration time, this easy to use interface is practical and stylish.



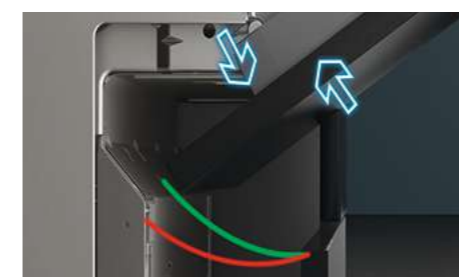
Model shown: SR93EX25MG 45cm fully integrated dishwasher

varioHinge. The ideal solution for extra long cabinet doors.



varioHinge enables the furniture panel to slide up the appliance door as it opens, avoiding collision with the plinth. Siemens has six built-in 60cm dishwasher models SN97TX02CE, SN95YX02CG, SN95ZX62CG, SN95EX12CG, SN73HX03VG, SX73HX03VG – plus a 45cm dishwasher SR93EX25MG – with varioHinge.

varioHinge ensures flexible dishwasher installation inline with the design of the kitchen. Perfect for cabinet doors in handle-less kitchens, or designs with low baseboards and longer cabinet panels as the varioHinge allows the cabinet door to be pushed upwards when opened to avoid the door catching. The varioHinge reduces the bottom gap between cabinet doors too for a seamless finish to the kitchen. These appliances are suitable for use with a 50mm plinth.



- ✓ Attractive design for high installation thanks to minimal gap size made possible by varioHinge.
- ✓ With varioHinge, a lower plinth height is possible.



Dishwashers with varioHinge high installation

Live in the moment with the help of a smart dishwasher.

There are more important things in life than worrying about washing dishes and replenishing dishwasher tabs. Siemens smart dishwashers provide more efficient results, additional programmes and enhanced control.

There are a number of great features to choose from in the Siemens Home Appliances App, such as Speed on Demand and Silence on Demand. The app allows the selection of favourite programmes and option combinations to provide the flexibility to alter wash cycle options from anywhere at anytime.

Perfectly tailored dishcare

The Intelligent Programme adapts the dish washing process to individual needs. After the programme is finished, the results and duration can be rated via the Siemens Home Appliances App. From this, the dishwasher will automatically adapt the settings and offer several alternatives, such as more energy efficient options. It also has the option to monitor water and energy consumption.

Never run out of dishwasher tablets again

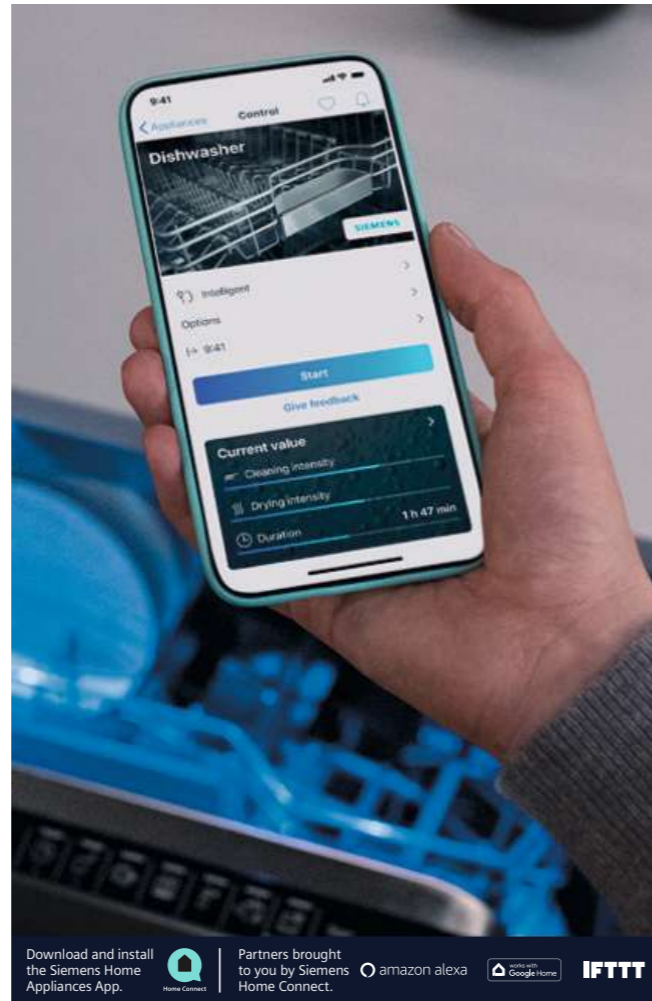
By linking a smart dishwasher with Amazon Smart Reorder, there will never be a situation where there are no dishwasher tablets again. The service keeps track of tablet stock and will automatically re-order more when it is running low.

Always use the perfect programme

By using the Siemens Home Appliances App to start a programme, it will be easy to see a detailed description of each programme, as well as energy and water usage indicators. Either pick the best programme for the specific load, or let our Programme Assistant help pick the recommended option based on the requirements.

Programme Download

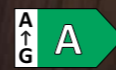
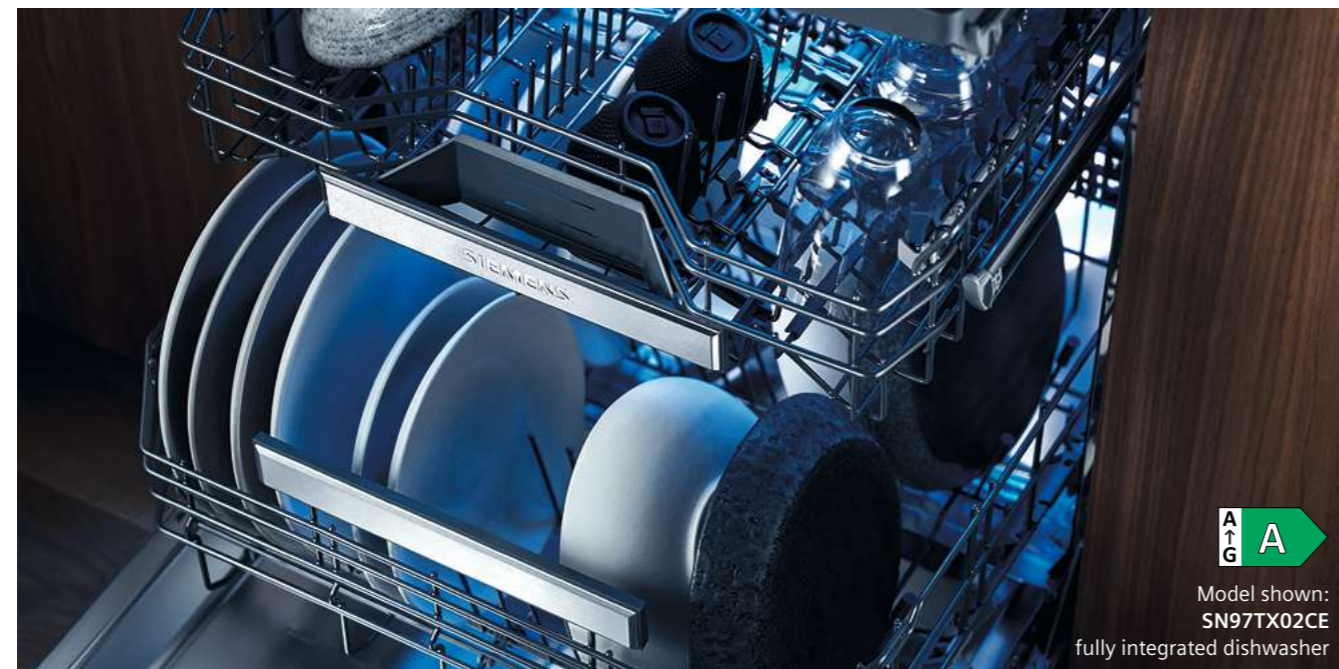
Paired with the Siemens Home Appliances App, Siemens' dishwashers can always be kept up to date with software updates. They can even be personalised by downloading free additional programmes available via the Siemens Home Appliances App. Whether it is more intense programmes, intelligent programmes or even faster programmes, there are additional programmes – up to 10 depending on the model – available to suit everyone's need. Once downloaded they can also be added to favourites for even quicker access.



Download and install the Siemens Home Appliances App. Partners brought to you by Siemens Home Connect. amazon alexa google home IFTTT

Learn more about Siemens Home Connect by visiting Siemens Home UK: www.siemens-home.bsh-group.com/uk

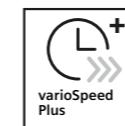
Or scan the QR code to learn more about our smart dishwasher appliances.



Model shown: SN97TX02CE fully integrated dishwasher



Features available on all built-in dishwasher models.



varioSpeed Plus

Use the varioSpeed Plus button to run the dishwasher significantly faster without compromising on wash quality.



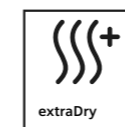
Speed on Demand

An advanced functionality of varioSpeed Plus that cleans and dries the dishes in the shortest possible time for individual needs. This option can be selected, even if the programme is running, via the Siemens Home Appliances App.



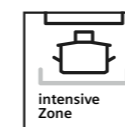
dosageAssist

Quickly and evenly dissolves dishwasher tablets throughout the entire machine, leaving no mess to clean at the end of the cycle. This also prevents the tablet getting stuck in the dishware to ensure no cleaning product residue is left after the cycle.



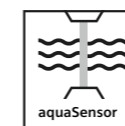
extraDry

The extraDry option can be added to any programme and will extend the drying cycle. This can be useful for harder to dry loads.



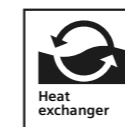
intensiveZone

Delicate items can be cleaned together in the same wash as pots and pans. The intensiveZone increases the spray pressure and temperature in the bottom basket to handle burnt on pans, whilst more delicate items can be washed safely in the top basket.



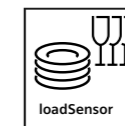
aquaSensor

Ensures that the optimum temperature is used depending on how dirty the dishes are, so that they are left perfectly clean all year round.



Heat exchanger

Protects glasses from cracking by using gentle water heating. Heat generated during the wash cycle is used to pre-heat the rinsing water to stop glasses being put under stress.



loadSensor

The loadSensor feature helps to ensure that dishes are cleaned thoroughly by ensuring that the optimum amount of water is flowing through the dishes during the cycle.



Favourite

The Favourite button makes using the dishwasher even more personal. Simply enter the most used combination of programmes and options, and then start them conveniently at the touch of a button, via the Siemens Home Appliances App.

A modern handleless kitchen.




openAssist

With door openAssist, fully integrated dishwashers can be opened by touching the front of the unit to make loading and unloading easy. This removes the need for a handle and is the ideal choice for sleek designer kitchens. With this feature, it is also possible to implement a child lock so that the appliance requires two gentle touches before opening.



Dishwasher product overview

Fully integrated dishwasher range

Display type	60cm dishwasher	60cm dishwasher	60cm dishwasher	60cm dishwasher
	81.5cm height varioHinge	81.5cm height varioHinge	81.5cm height varioHinge	81.5cm height varioHinge
 Touch control + TFT	 SN97TX02CE iQ700 Black • 14 place settings • 9.5 litres • varioDrawer • Zeolith • autoOpen dry • flexComfort Pro • sideLight (Blue) • door openAssist • glassZone • emotionLight			
 Touch control + LED		 SN95YX03CG iQ500 Black • 14 place settings • 9.5 litres • varioDrawer • Zeolith • autoOpen dry • flexComfort • sideLight (Blue) • door openAssist • glassZone • emotionLight	 SN95ZX62CG iQ500 Black • 13 place settings • 7.7 litres • varioDrawer • Zeolith • flexComfort • sideLight (Blue) • door openAssist • glassZone • emotionLight	 SN95EX12CG iQ500 Black • 14 place settings • 9 litres • varioDrawer • autoOpen dry • flexComfort • sideLight (Blue) • door openAssist • glassZone • emotionLight
 Push buttons + LED				
 Toggle control + LED				



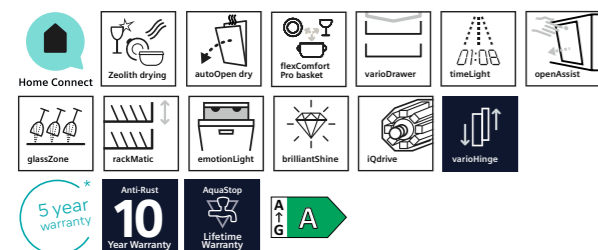
Home Connect

60cm dishwasher	60cm dishwasher	60cm dishwasher	60cm dishwasher	60cm dishwasher	45cm dishwasher
81.5cm height varioHinge	86.5cm height varioHinge	81.5cm height Fixed hinge	81.5cm height Fixed hinge	81.5cm height Fixed hinge	81.5cm height varioHinge
 SX73HX03VG iQ300 Black / Stainless Steel • 14 place settings • 9 litres • varioDrawer • varioFlex • infoLight (Blue) • Polinox	 SN73HX03VG iQ300 Black / Stainless Steel • 14 place settings • 9 litres • varioDrawer • varioFlex • infoLight (Blue) • Polinox				 SR93EX25MG iQ300 Black / Stainless Steel • 10 place settings • 8.7 litres • varioDrawer • varioFlex • infoLight (Blue) • autoOpen dry • door openAssist
		 SN61HX00KG iQ100 Black • 13 place settings • 9 litres • varioFlex • infoLight (blue)	 SN61HX02TG iQ100 Black Replacement model SN61IX00TG • 13 place settings • 9 litres • vario • infoLight (blue) • Polinox	 SN61IX00TG iQ100 Black (Available October 2026) • 12 place settings • 9 litres • vario • infoLight (blue) • Polinox	

60cm dishwashers

iQ 700 SN97TX02CE

60cm fully integrated dishwasher



flexComfort Pro basket system

flexComfort Pro baskets create extra room for pots and pans. With an optimised lower basket design for large plates and adjustable sides highlighted with blue touchpoints, the dishwasher can adapt to any load quickly and easily.

varioDrawer included

Selected models include a varioDrawer, providing a third loading level for cutlery and removing the need for a cutlery basket. This creates more room for large pots and pans below and includes space for small items such as ladles and espresso cups.

60cm fully integrated dishwasher specifications

Appliance Type	60cm fully integrated dishwasher
Design family	iQ 700
Model number	SN97TX02CE
Control panel colour	Black
Height (cm) / Hinge type	81.5 / varioHinge
Design features	
Drying system	Zeolith / autoOpen dry
Home Connect Wi-Fi connectivity	■
Control panel type	Touch control + TFT
Basket description	flexComfort Pro
varioDrawer (3rd loading level)	varioDrawer
Status indicator	sideLight (Blue)
Door openAssist	■
glassZone	■
Glass care technology	■
Anti-slip protection / stemware support upper basket	■ / ■
Adjustable upper basket	rackMatic™ 3-stage
Number of flip tines in upper / lower basket	6 / 8
Cup shelves upper / lower baskets	2 / 2
Cutlery holder lower basket	–
Largest loadable dish upper / lower basket (cm)	21 / 30
aquaSensor	■
Real-time clock	■
Start delay time max hours	24
emotionLight (blue interior lighting)	■
End of cycle indicator	Acoustic
Salt / Rinse aid light indicator	■ / ■
Self cleaning filter system	■
Flood protection system	AquaStop 24h
Safety features	Door lock
Programmes / Functions	
List of programmes	Intelligent 40°C, Eco 50°C, Auto 45-65°C, Intensive 70°C, Speed 60°C, brilliantShine 40°C, Silence 50°C, Favourite, Machine Care
Additional special options	Remote Start, Shine & Dry, intensiveZone, Hygiene Plus, varioSpeed Plus
Technical information	
Reference programme for measurements	Eco 50°C
Energy efficiency class ¹	A
Energy ² / water ³ (kWh / litres)	54 / 9.5
Load capacity (place settings)	14
Programme duration ⁴ (h:min)	4:55
Noise level (dB [A] re 1pW)	42
Noise efficiency class	B
Noise level (silence programme) (dB [A] re 1pW)	41
Length of electrical supply cord (cm)	175
Length inlet / outlet hose (cm)	165 / 190
Maximum height for installation (mm)	875
Maximum height adjustability feet (mm)	60
Maximum width for installation (mm)	600
Height of the product (mm)	815
Width / Depth of the product (mm)	598 / 550
Net weight / Gross weight (kg)	42 / 44
Water softener ⁵	■
Maximum accepted water hardness (°DH)	50
Maximum temperature for water intake (°C)	60
Interior cavity	Stainless steel
Included accessories	Steam protection strip

■ Yes, model has this feature. – Feature not available for this model.
¹ On an energy-efficiency class scale from A to G.
² Energy consumption in kWh/100 operating cycles (using Eco programme).
³ Water consumption in litres/operating cycle (using Eco programme).
⁴ Duration of Eco programme.
⁵ We would recommend our dishwashers are connected to the mains water supply where possible. However, they may also be connected to an external water softener as long as the water softener produces softened water of less than 1.1 mmol/litre (7.0°e) and the water softener in the appliance is turned off. Please contact product advice for further information. Water pressure required: 0.5-10 Bar. Flow rate: 10 litres per minute. Inlet valve connected directly to ¾" screwed joint.
 Data valid in this table as of April 2026. Subject to modification without prior notice.
^{*} 5 year warranty - Offer dates: 01.04.26 – 31.03.27. T&C's apply. Online registration required.



60cm fully integrated dishwasher specifications

Appliance Type	60cm fully integrated dishwashers		
Design family	iQ 500	iQ 500	iQ 500
Model number	SN95YX02CG	SN95ZX62CG	SN95EX12CG
Control panel colour	Black	Black	Black
Height (cm) / Hinge type	81.5 / varioHinge	81.5 / varioHinge	81.5 / varioHinge
Design features			
Drying system	Zeolith / autoOpen dry	Zeolith	autoOpen dry / Heat exchanger
Home Connect Wi-Fi connectivity	■	■	■
Control panel type	Touch control + LED	Touch control + LED	Touch control + LED
Basket description	flexComfort	flexComfort	flexComfort
varioDrawer (3rd loading level)	varioDrawer	varioDrawer	varioDrawer
Status indicator	sideLight (Blue)	sideLight (Blue)	sideLight (Blue)
Door openAssist	■	■	■
glassZone	■	■	■
Glass care technology	■	■	■
Anti-slip protection / stemware support upper basket	■ / ■	■ / ■	■ / ■
Adjustable upper basket	rackMatic™ 3-stage	rackMatic™ 3-stage	rackMatic™ 3-stage
Number of flip tines in upper / lower basket	2 / 8	2 / 8	2 / 8
Cup shelves upper / lower baskets	2 / 2	2 / 2	2 / 2
Cutlery holder lower basket	–	–	–
Largest loadable dish upper / lower basket (cm)	21 / 30	21 / 30	21 / 30
aquaSensor	■	■	■
Real-time clock	–	–	–
Start delay time max hours	24	24	24
emotionLight (blue interior lighting)	■	■	■
End of cycle indicator	Acoustic	Acoustic	Acoustic
Salt / Rinse aid light indicator	■ / ■	■ / ■	■ / ■
Self cleaning filter system	■	■	■
Flood protection system	AquaStop 24h	AquaStop 24h	AquaStop 24h
Safety features	Door lock	Door lock	Door lock
Programmes / Functions			
List of programmes	Intelligent 40°C, Eco 50°C, Auto 45-65°C, Intensive 70°C, Speed 60°C, brilliantShine 40°C, Silence 50°C, Favourite, Machine Care	Eco 50°C, Auto 45-65°C, Intensive 70°C, Speed 60°C, brilliantShine 40°C, Silence 50°C, Favourite, Machine Care	Eco 50°C, Auto 45-65°C, Intensive 70°C, Speed 60°C, brilliantShine 40°C, Silence 50°C, Favourite, Machine Care
Additional special options	Remote Start, Shine & Dry, intensiveZone, varioSpeed Plus	Remote Start, Shine & Dry, intensiveZone, varioSpeed Plus	Remote Start, Shine & Dry, intensiveZone, varioSpeed Plus
Technical information			
Reference programme for measurements	Eco 50°C	Eco 50°C	Eco 50°C
Energy efficiency class ¹	A	C	A
Energy ² / water ³ (kWh / litres)	54 / 9.5	74 / 7.7	54 / 9
Load capacity (place settings)	14	13	14
Programme duration ⁴ (h:min)	4:55	3:45	4:30
Noise level (dB [A] re 1pW)	44	44	42
Noise efficiency class	B	B	B
Noise level (silence programme) (dB [A] re 1pW)	43	42	41
Length of electrical supply cord (cm)	175	175	175
Length inlet / outlet hose (cm)	165 / 190	165 / 190	165 / 190
Maximum height for installation (mm)	875	875	875
Maximum height adjustability feet (mm)	60	60	60
Maximum width for installation (mm)	600	600	600
Height of the product (mm)	815	815	815
Width / Depth of the product (mm)	598 / 550	598 / 550	598 / 550
Net weight / Gross weight (kg)	47 / 49	44 / 46	40 / 42
Water softener ⁵	■	■	■
Maximum accepted water hardness (°DH)	50	50	50
Maximum temperature for water intake (°C)	60	60	60
Interior cavity	Stainless steel	Stainless steel	Stainless steel
Included accessories	Steam protection strip	Steam protection strip	Steam protection strip

■ Yes, model has this feature. – Feature not available for this model.
¹ On an energy-efficiency class scale from A to G.
² Energy consumption in kWh/100 operating cycles (using Eco programme).
³ Water consumption in litres/operating cycle (using Eco programme).
⁴ Duration of Eco programme.
⁵ We would recommend our dishwashers are connected to the mains water supply where possible. However, they may also be connected to an external water softener as long as the water softener produces softened water of less than 1.1 mmol/litre (7.0°e) and the water softener in the appliance is turned off. Please contact product advice for further information. Water pressure required: 0.5-10 Bar. Flow rate: 10 litres per minute. Inlet valve connected directly to ¾" screwed joint.
 Data valid in this table as of April 2026. Subject to modification without prior notice.
^{*} 5 year warranty - Offer dates: 01.04.26 – 31.03.27. T&C's apply. Online registration required.



60cm fully integrated dishwasher specifications

Appliance Type	60cm fully integrated dishwashers		
Design family	IQ300	IQ300	IQ100
Model number	SK73HX03VG	SN73HX03VG	SN61HX00KG
Control panel colour	Black / Stainless Steel	Black / Stainless Steel	Black
Height (cm) / Hinge type	86.5 / varioHinge	81.5 / varioHinge	81.5 / Fixed
Design features			
Drying system	Heat exchanger	Heat exchanger	Heat exchanger
Home Connect Wi-Fi connectivity	■	■	■
Control panel type	Push buttons + LED	Push buttons + LED	Toggle control + LED
Basket description	varioFlex	varioFlex	varioFlex
varioDrawer (3rd loading level)	varioDrawer	varioDrawer	-
Status indicator	infoLight (Blue)	infoLight (Blue)	infoLight (Blue)
Door openAssist	-	-	-
glassZone	-	-	-
Glass care technology	■	■	■
Anti-slip protection / stemware support upper basket	- / -	- / -	- / -
Adjustable upper basket	rackMatic™ 3-stage	rackMatic™ 3-stage	rackMatic™ 3-stage
Number of flip tines in upper / lower basket	2 / 4	2 / 4	2 / 4
Cup shelves upper / lower baskets	2 / -	2 / -	2 / -
Cutlery holder lower basket	-	-	■
Largest loadable dish upper / lower basket (cm)	21 / 30	21 / 30	27 / 30
aquaSensor	■	■	■
Real-time clock	-	-	-
Start delay time max hours	24	24	9
emotionLight (blue interior lighting)	-	-	-
End of cycle indicator	Acoustic	Acoustic	Acoustic
Salt / Rinse aid light indicator	■ / ■	■ / ■	■ / ■
Self cleaning filter system	■	■	■
Flood protection system	AquaStop 24h	AquaStop 24h	AquaStop 24h
Safety features	Door lock	Door lock	Door lock
Programmes / Functions			
List of programmes	Eco 50°C, Auto 45-65°C, Intensive 70°C, Speed 65°C, Speed 45°C, Favourite,	Eco 50°C, Auto 45-65°C, Intensive 70°C, Speed 65°C, Speed 45°C, Favourite,	Eco 50°C, Auto 45-65°C, Intensive 70°C, Speed 65°C, Favourite
Additional special options	Remote Start, intensiveZone, Half Load, varioSpeed Plus, Machine Care	Remote Start, intensiveZone, Half Load, varioSpeed Plus, Machine Care	Remote Start, intensiveZone, Half Load, varioSpeed Plus, Machine Care
Technical information			
Reference programme for measurements	Eco 50°C	Eco 50°C	Eco 50°C
Energy efficiency class ¹	A C	A C	A C
Energy ² / water ³ (kWh / litres)	75 / 9	75 / 9	74 / 9
Load capacity (place settings)	14	14	13
Programme duration ⁴ (h:min)	4:55	4:55	4:55
Noise level (dB [A] re 1pW)	46	46	44
Noise efficiency class	C	C	B
Noise level (silence programme) (dB [A] re 1pW)	-	-	-
Length of electrical supply cord (cm)	175	175	175
Length inlet / outlet hose (cm)	165 / 190	165 / 190	165 / 190
Maximum height for installation (mm)	875	875	875
Maximum height adjustability feet (mm)	60	60	60
Maximum width for installation (mm)	600	600	600
Height of the product (mm)	815	815	815
Width / Depth of the product (mm)	598 / 550	598 / 550	598 / 550
Net weight / Gross weight (kg)	35 / 39	35 / 39	31 / 34
Water softener ⁵	■	■	■
Maximum accepted water hardness (°DH)	50	50	50
Maximum temperature for water intake (°C)	60	60	60
Interior cavity	Stainless steel/Polinox	Stainless steel/Polinox	Stainless steel
Included accessories	Steam protection strip	Steam protection strip	Steam protection strip

■ Yes, model has this feature. – Feature not available for this model.

¹ On an energy-efficiency class scale from A to G.

² Energy consumption in kWh/100 operating cycles (using Eco programme).

³ Water consumption in litres/operating cycle (using Eco programme).

⁴ Duration of Eco programme.

⁵ We would recommend our dishwashers are connected to the mains water supply where possible. However, they may also be connected to an external water softener as long as the water softener produces softened water of less than 1.1 mmol/litre (7.0°e) and the water softener in the appliance is turned off. Please contact product advice for further information.

Water pressure required: 0.5-10 Bar. Flow rate: 10 litres per minute. Inlet valve connected directly to 3/4" screwed joint.

Data valid in this table as of April 2026. Subject to modification without prior notice.

*5 year warranty - Offer dates: 01.04.26 - 31.03.27. T&C's apply. Online registration required.



60cm fully integrated dishwasher specifications

Appliance type	60cm fully integrated dishwashers	
Design family	IQ100	IQ100
Model number	SN61HX02TG	SN61HX00TG
Control panel colour	Black	Black
Height (cm) / Hinge type	81.5 / Fixed	81.5 / Fixed
Design features		
Drying system	Heat exchanger	Inherent Heat
Home Connect Wi-Fi connectivity	■	■
Control panel type	Toggle control + LED	Toggle control + LED
Basket description	vario	vario
varioDrawer (3rd loading level)	-	-
Status indicator	infoLight (Blue)	infoLight (Blue)
Door openAssist	-	-
glassZone	-	-
Glass care technology	■	■
Anti-slip protection / stemware support upper basket	- / -	- / -
Adjustable upper basket	Adjustable when empty	Adjustable when empty
Number of flip tines in upper / lower basket	- / 2	- / 2
Cup shelves upper / lower baskets	2 / -	2 / -
Cutlery holder lower basket	■	■
Largest loadable dish upper / lower basket (cm)	27 / 30	27 / 30
aquaSensor	■	■
Real-time clock	-	-
Start delay time max hours	9	9
emotionLight (blue interior lighting)	-	-
End of cycle indicator	Acoustic	Acoustic
Salt / Rinse aid light indicator	■ / ■	■ / ■
Self cleaning filter system	■	■
Flood protection system	AquaStop 24h	AquaStop 24h
Safety features	Door lock	Door lock
Programmes / Functions		
List of programmes	Eco 50°C, Auto 45-65°C, Intensive 70°C, Speed 65°C, Favourite, Machine Care	Eco 50°C, Auto 45-65°C, Intensive 70°C, Speed 65°C, Favourite, Machine Care
Additional special options	Remote Start, intensiveZone, Half Load, varioSpeed Plus	Remote Start, intensiveZone, Half Load, varioSpeed Plus
Technical information		
Reference programme for measurements	Eco 50°C	Eco 50°C
Energy efficiency class ¹	A D	A D
Energy ² / water ³ (kWh / litres)	84 / 9	84 / 9
Load capacity (place settings)	13	12
Programme duration ⁴ (h:min)	4:30	4:30
Noise level (dB [A] re 1pW)	46	46
Noise efficiency class	C	C
Noise level (silence programme) (dB [A] re 1pW)	-	-
Length of electrical supply cord (cm)	175	175
Length inlet / outlet hose (cm)	165 / 190	165 / 190
Maximum height for installation (mm)	875	875
Maximum height adjustability feet (mm)	60	60
Maximum width for installation (mm)	600	600
Height of the product (mm)	815	815
Width / Depth of the product (mm)	598 / 550	598 / 550
Net weight / Gross weight (kg)	30 / 33	30 / 33
Water softener ⁵	■	■
Maximum accepted water hardness (°DH)	50	50
Maximum temperature for water intake (°C)	60	60
Interior cavity	Stainless steel/Polinox	Stainless steel/Polinox
Included accessories	Steam protection strip	Steam protection strip

■ Yes, model has this feature. – Feature not available for this model.

¹ On an energy-efficiency class scale from A to G.

² Energy consumption in kWh/100 operating cycles (using Eco programme).

³ Water consumption in litres/operating cycle (using Eco programme).

⁴ Duration of Eco programme.

⁵ We would recommend our dishwashers are connected to the mains water supply where possible. However, they may also be connected to an external water softener as long as the water softener produces softened water of less than 1.1 mmol/litre (7.0°e) and the water softener in the appliance is turned off. Please contact product advice for further information.

Water pressure required: 0.5-10 Bar. Flow rate: 10 litres per minute. Inlet valve connected directly to 3/4" screwed joint.

Data valid in this table as of April 2026. Subject to modification without prior notice.

*5 year warranty - Offer dates: 01.04.26 - 31.03.27. T&C's apply. Online registration required.

45cm slimline dishwasher

iQ300 SR93EX25MG

45cm slimline fully integrated dishwasher



Slimline

Slimline dishwashers are perfect for kitchens with limited space. Despite the reduced size, they still benefit from exciting features such as door openAssist and speed programmes.

Our 45cm dishwasher has a two tone design with features including varioHinge, Siemens Home Connect, Speed on demand (via the Siemens Home Appliances App) and the Favourite programme (can set programme and option choice as favourite via the Siemens Home Appliances App).

Speed on demand

The programme can be sped up at any time during the wash cycle, even if the programme has started, unlike varioSpeed+ (this would need to be selected before the start of the programme). Speed on demand can be activated using the Siemens Home Appliances App.



45cm slimline fully integrated dishwasher specifications

Appliance type	45cm fully integrated dishwasher
Design family	iQ300
Model number	SR93EX25MG
Control panel colour	Black / Stainless Steel
Height (cm) / Hinge type	81.5 / varioHinge
Design features	
Drying system	autoOpen dry / Heat exchanger
Home Connect Wi-Fi connectivity	■
Control panel type	Push buttons + LED
Basket description	varioFlex
varioDrawer (3rd loading level)	varioDrawer
Status indicator	infoLight (Blue)
Door openAssist	■
glassZone	—
Glass care technology	■
Anti-slip protection / stemware support upper basket	■ / —
Adjustable upper basket	rackMatic™ 3-stage
Number of flip tines in upper / lower basket	2 / 2
Cup shelves upper / lower baskets	1 / 1
Cutlery holder lower basket	—
Largest loadable dish upper* / lower basket (cm)	21 / 30
aquaSensor	■
Real-time clock	—
Start delay time max hours	24
emotionLight (blue interior lighting)	—
End of cycle indicator	Acoustic
Salt / Rinse aid light indicator	■ / ■
Self cleaning filter system	■
Flood protection system	AquaStop 24h
Safety features	Door lock
Programmes / Functions	
List of programmes	Eco 50°C, Auto 45-65°C, Intensive 70°C, Speed 60°C, Speed 45°C, Favourite, Machine Care
Additional special options	Remote Start, intensiveZone, Hygiene Plus, varioSpeed Plus
Technical information	
Reference programme for measurements	Eco 50 °C
Energy efficiency class¹	A++
Energy² / water³ (kWh / litres)	51 / 8.7
Load capacity (place settings)	10
Programme duration⁴ (h:min)	3:55
Noise level (dB [A] re 1pW)	44
Noise efficiency class	B
Noise level (silence programme) (dB [A] re 1pW)	—
Length of electrical supply cord (cm)	175
Length inlet / outlet hose (cm)	165 / 205
Maximum height for installation (mm)	875
Maximum height adjustability feet (mm)	60
Maximum width for installation (mm)	450
Height of the product (mm)	815
Width / Depth of the product (mm)	448 / 550
Net weight / Gross weight (kg)	31 / 34
Water softener⁵	■
Maximum accepted water hardness (°DH)	50
Maximum temperature for water intake (°C)	60
Interior cavity	Stainless steel
Included accessories	Steam protection strip

■ Yes, model has this feature. — Feature not available for this model.

¹ On an energy-efficiency class scale from A to G.

² Energy consumption in kWh/100 operating cycles (using Eco programme).

³ Water consumption in litres/operating cycle (using Eco programme).

⁴ Duration of Eco programme.

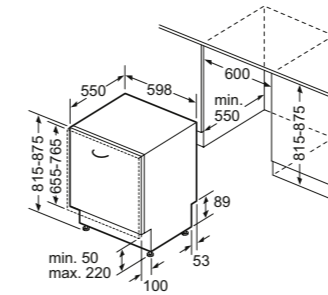
⁵ We would recommend our dishwashers are connected to the mains water supply where possible. However, they may also be connected to an external water softener as long as the water softener produces softened water of less than 1.1 mmol/litre (7.0°e) and the water softener in the appliance is turned off. Please contact product advice for further information. Water pressure required: 0.5-10 Bar. Flow rate: 10 litres per minute. Inlet valve connected directly to 'x' screwed joint.

* Largest loadable dish height in upper basket will be smaller when varioDrawer is installed.

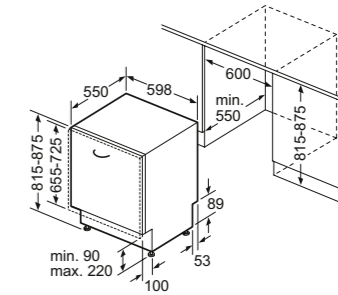
Data valid in this table as of April 2026. Subject to modification without prior notice.

*5 year warranty - Offer dates: 01.04.26 – 31.03.27. T&C's apply. Online registration required.

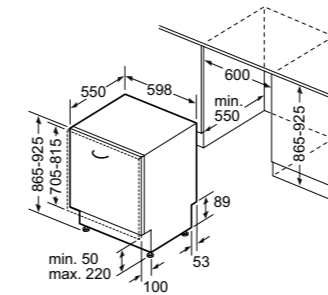
Fully integrated dishwashers SN97TX02CE, SN95YX02CG, SN95ZX62CG, SN95EX12CG and SN73HX03VG



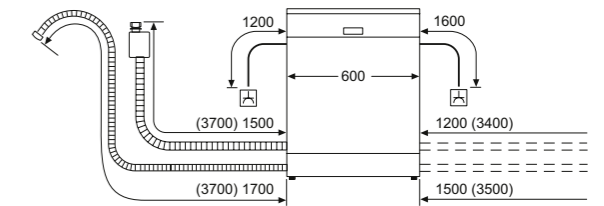
Fully integrated dishwashers SN61HX00KG, SN61HX02TG and SN61IX00TG



Fully integrated dishwasher SX73HX03VG

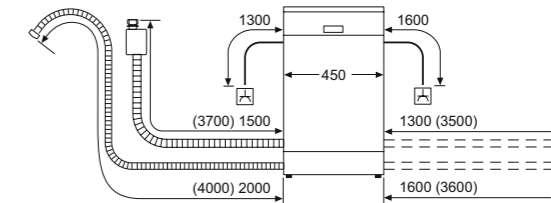
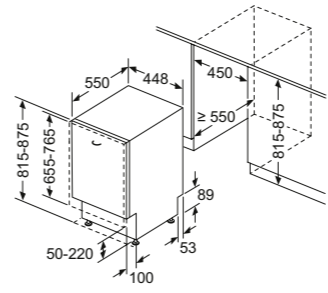


For all 60cm dishwashers



socket
() values with extension kit

45cm fully integrated dishwasher SR93EX25MG



socket
() values with extension kit

Fully integrated dishwasher accessories

		SN97TX02CE	SN95YX02CG	SN95ZX62CG	SN95EX12CG	SX73HX03VG	SN73HX03VG	SN61HX00KG	SN61HX02TG	SN61IX00TG	SR93EX25MG
Aqua stop extension	SZ72010	■	■	■	■	■	■	■	■	■	■
Silver polishing cassette	SZ73001	■				■		■	■	■	
Split door furniture front connection rails – For fullsize and slimline models	SZ388I00	■	■	■	■	■	■	■	■	■	■
Decor strip - For full size Polinox base models, 81.5cm height	SZ308I02						■	■	■	■	■
Decor strip - For full size and slimline Stainless Steel base models, 81.5cm height	SZ308I01	■	■	■	■						
Decor strip - For full size Stainless Steel base models, 86.5cm height	SZ308I11										
Decor strip - For full size Stainless Steel base models installed off the ground, 81.5cm height	SZ73035	■	■	■	■						
Decor strip - For full size Stainless Steel base models installed off the ground, 86.5cm height	SZ73045										
Door attachment – brushed steel	SZ73056								■	■	
Drop hinge for tall cabinets	SZ73010							■	■	■	
Adjustable cutlery basket - full size dishwashers	SZ73100	■	■	■	■	■	■	■	■	■	
Wine glass holder accessory (Glass secure tray)	SZ73300	■	■	■	■	■	■	■	■	■	■
Rack insert for stemware dishwasher	SZ73640	■	■	■	■	■	■	■	■	■	■

Cutting-edge innovations for extra shine

Siemens freestanding dishwashers take full advantage of the latest technologies.

Designed to fit in around busy lifestyles, our standard 60cm freestanding dishwashers feature efficient, time saving and environmentally conscious programmes, sure to make dishes shine. With a sleek and stylish design, both inside and out, Siemens dishwashers are designed to complement the home.



Experience the perfect blend of efficiency and performance.

All Siemens freestanding dishwashers are A-rated. They are designed to prioritise energy efficiency and water conservation, all the while delivering outstanding performance. Siemens dishwashers offer a range of innovative features and intelligent technology, including intelligent sensors that optimise water and energy usage according to load size and dirtiness level.



Freestanding
Dishwashers

Siemens freestanding dishwasher warranties:



5 year warranty

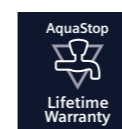
A five year warranty is available on all freestanding dishwasher models listed in this brochure to protect against manufacturing and material faults during this warranty period.

*Offer dates: 01.04.26 – 31.03.27. Online registration required. For full T&Cs and qualifying appliances visit siemens-home.bsh-group.com/uk/customer-service/siemens-warranties



10 Year Anti-Rust Warranty

All Siemens dishwashers purchased from the 1st January 2012 onwards have a 10 Year Anti-Rust Warranty to protect against rust in the inner cavity of the appliance.



Lifetime AquaStop Warranty

All Siemens freestanding dishwashers listed in this brochure have a lifetime AquaStop warranty to protect against water damage caused by a defective AquaStop system.

To find out more about warranty and for registration, please visit:
UK: siemens-home.bsh-group.com/uk/customer-service/siemens-warranties
IE: siemens-home.bsh-group.com/ie/customer-service/warranty



Dishwashing key features

Freestanding dishwashers.

Our freestanding dishwashers are available in a range of stylish and durable finishes, perfect for adding a touch of elegance to any kitchen. From the stainless steel finish, resistant to fingerprints and smudges, to the sleek and modern striking black steel.



Model shown: SN25EC13CE (black steel)



Model shown: SN27TI02CE (stainless steel anti-fingerprint)

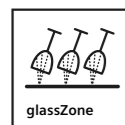


Model shown: SN25EI13CE (stainless steel)



Model shown: SN25EW13CE (white)

Gentle and thorough washing of the most valuable glasses.



glassZone

With glassZone, even the most valuable of glasses can go in the dishwasher with peace of mind. The six integrated nozzles ensure continuous but gentle water supply to enable thorough cleaning without damaging sensitive materials. In addition, integrated soft anti-slip elements give a secure hold to protect against mechanical stress and prevent damage to glass rims.



Zeolith®: Super efficient drying technology.



Using advanced drying technologies, Siemens dishwashers keep energy consumption to a minimum. Zeolith®, a form of zeolite mineral, has the astonishing ability to absorb moisture and convert it to heat. The heat produced naturally by the Zeolith® is used for the drying cycle. No additional energy is therefore required to heat up the contents of the dishwasher for the drying process (as with a standard drying system). This leads to excellent drying results, with less energy usage.*

Zeolith® is stored in the depths of the dishwasher. It regenerates itself and keeps working for the lifetime of the machine, so it never needs replacing. Combine this with the economy 50°C programme to get brilliant results with minimal energy.

Better drying results on plastic*

The combination of higher air temperature and much lower humidity evaporates water beads on plastics and prevents steam from recondensing on cold surfaces – what makes plastics hard to dry (low thermal mass and water that clings as droplets). Because Zeolith® continuously supplies dry, warm air throughout the cycle, plastics dry more thoroughly and faster without heavy extra heating, improving energy efficiency and leaving mixed loads consistently drier and streak-free.

*Drying results of a Siemens dishwasher with Zeolith® drying compared to a dishwasher without Zeolith® drying, based on standard household plastic dishes, determined in the ECO50 programme with a standard household load using Finish Ultimate Plus.

Cleaning phase
During the cleaning phase the Zeolite mineral is heated up, recharging it, ready to absorb moisture once more.



Drying phase
During the drying phase Zeolith® absorbs and converts moisture to heat.



brilliantShine: Gentle care, brilliant clarity for your glassware.



Our 60cm dishwashers feature the brilliantShine programme – a one touch solution that combines the Glass 40°C programme and the Shine & Dry option to ensure glassware is always left sparkling clean.

Straight from dishwasher to table, Shine & Dry provides streak-free, shining glasses. Harnessing the power of Zeolith® at its best, the special drying cycle also works just as well on plastics, pots and pans, saving time as there is no longer a need to give them an extra towel dry. The brilliantShine programme with Zeolith® Drying produces sparkling glasses to be proud of, keeping glassware ready to shine for any guests, even unexpected ones.

There are three factors in dishwashing that influence the shine of glassware: temperature, cycle time, and the use of detergent. The new brilliantShine programme offers three intelligent solutions that take care of these factors:

- Zeolith® drying uses a Zeolite mineral that absorbs moisture and converts it into a gentle heat.
- The Shine & Dry option swills all residues of detergent with extra rinsing water, resulting in streak-free, shining glassware.
- The Glass 40°C programme ensures that glassware is not exposed to excessive temperatures or spray pressures, and keeps the cycle time shorter.



Dishwashing key features

The Siemens Home Appliances App helps take minds off the household chores.

By connecting the dishwasher to the Siemens Home Appliances App, programmes and options can be easily selected to start the dishwasher from wherever and whenever. Using the app, dishes can be ready exactly when needed – which is perfect for busy lifestyles. When the cycle has finished, the Siemens Home Appliances App will send a push notification to say so.

There are a number of great features which can be selected through the Siemens Home Appliances App, such as Speed on Demand, Silence on Demand and autoOpen Dry. It is also possible to set a Favourite programme and alter the wash cycle options from anywhere.

Programme Assistant

Programme Assistant on the Siemens Home Appliances App helps with finding the correct programme for the dishes quickly and easily. By answering a few simple questions, the app will suggest the optimum programme for the load. It is easy to adjust the dishwasher settings via the app on a smartphone or tablet to keep it running at maximum efficiency.

Siemens Home Connect partner services

It is also possible to use our partner services, such as Amazon Alexa, Google Home and IFTTT to manage the dishwasher. With Amazon Alexa, the appliance can be controlled via voice – just ask Alexa.

To keep on top of dishwasher tablet stock, tablets can be automatically reordered with Amazon Smart Reorder. The feature is easy to set up in the amazon app and saves having to worry about running out of tablets again.

Setting the water hardness settings has never been easier, too. Whether the area experiences hard or soft water, it can be easily set within the app.

Programme Download

Paired with the Siemens Home Appliances App, Siemens' dishwashers can always be kept up to date with software updates. They can even be personalised by downloading free additional programmes available via the Siemens Home Appliances App. Whether it is more intense programmes, intelligent programmes or even faster programmes, there are additional programmes – up to 10 depending on the model – available to suit everyone's need. Once downloaded they can also be added to favourites for even quicker access.

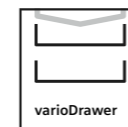
Learn more about Siemens Home Connect by visiting our website.

UK: siemens-home.bsh-group.com/uk/inspiration/innovation/connected
 IE: siemens-home.bsh-group.com/ie/inspiration/innovation/connected



Download and install the Siemens Home Appliances App. Partners brought to you by Siemens Home Connect. amazon alexa, Google Home, IFTTT

Basket systems for added flexibility and better results.



varioDrawer

By adding a third shelf for cutlery, varioDrawer removes the need for a cutlery basket and creates more space.



varioFlex basket system

The varioFlex basket has 2 flexible areas in the top rack and 4 in the bottom, providing extra flexibility within the dishwasher to create more space for those larger items.



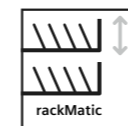
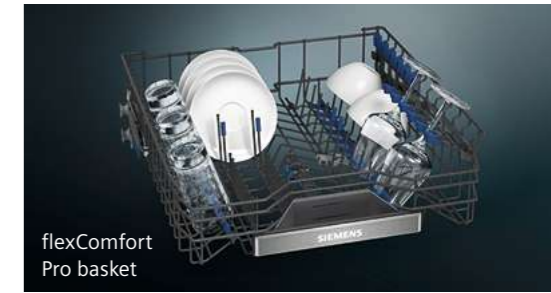
flexComfort basket system

These baskets have the ability to fold down certain compartments within the cavity for extra room. The top rack has 2 areas that can be adjusted for extra flexibility. The bottom basket has 8 areas that can be adjusted to create more space so the inside of the dishwasher is constantly adaptable. Anti-slip elements and stemware support hold have also been added, meaning it has never been as easy to load the dishwasher.



flexComfort Pro basket system

The flexComfort Pro basket system is designed to hold larger plates and allows easy creation of space for pots and pans. Choose from up to 6 flexible areas in the top rack and up to 8 flexible areas in the bottom basket to create extra space. Blue touchpoints inside the baskets indicate all the adjustment options available at a glance, and the easyGlide wheels on the upper basket make loading the dishwasher even easier. Other new features such as anti-slip elements and stemware support hold means it is easy to securely load glassware.



rackMatic™ 3-stage

Available across all storage solutions, this feature conveniently allows the user to raise and lower the height of the top basket to create more or less space, even when the dishwasher is loaded.



Let the dishwasher do the work, with the automatic programme sensor.



auto 45°-65° Automatic programme

Doing the dishes is now easier than ever before with sensor technology included in every one of our dishwashing appliances. From soiled pots and pans to delicate plates – every item gets the right care and treatment.

For example, the autoProgramme sensor gives brilliant results at the push of a button. As soon as the autoProgramme is activated, the aqua sensor automatically measures the cloudiness of the water to precisely adapt the amount and temperature of water needed for optimal cleaning. The sensor controls the entire washing and drying process and automatically adjusts water consumption, water temperature and cycle time to suit each load. The sensor control unit steers the whole washing and drying process to deliver brilliant results every time.

Model shown left: SN27T102CE 60cm freestanding dishwasher



Enhanced performance and sparkling results

Standard features on all freestanding models.

intensiveZone
Delicate items and pots and pans can be cleaned together in the same wash. The intensiveZone option increases the spray pressure and temperature in the bottom basket to handle burnt on pans, whilst delicate items can be washed safely in the top basket.

varioSpeed Plus
Use the varioSpeed Plus button to run the dishwasher significantly faster without compromising on wash quality.

Speed on Demand
An advanced functionality of varioSpeed Plus that cleans and dries the dishes in the shortest possible time for individual needs. This option can be activated, even when a programme is already running, within the Siemens Home Appliances app.

dosageAssist
Quickly and evenly dissolves dishwasher tablets throughout the entire machine, leaving no mess to clean at the end of the cycle.

Favourite
The Favourite button makes the dishwasher even more personal. By entering the most used combination of dishwashing programmes and options, they can be conveniently started at the touch of a button, via the Siemens Home Appliances App or via the Alexa voice assistant.

aquaSensor
Makes sure that the optimum temperature is used depending on how dirty the dishes are, meaning that dishes are perfectly clean the first time round.

Heat exchanger
Protect glasses from cracking with gentle water heating. Heat generated during the wash cycle is used to pre-heat the rinsing water to stop glasses being put under stress.

extraDry
The extraDry option can be added to any programme and will extend the drying cycle. This can be useful for harder to dry loads.

loadSensor
By monitoring that the optimum amount of water is flowing through the dishwasher throughout the cycle, the loadSensor helps to ensure that dishes are cleaned thoroughly.

Highlight features, available on selected freestanding models.



TFT display with real-time clock
The clear, touch control high resolution TFT display makes it easy to select programmes and settings and check the status of the dishwasher at a glance. Thanks to the real-time clock, it is now possible to set the exact time the dishes will be ready by, for extra convenience. Perfect for delivering warm plates to the dinner table.

Hygiene Plus
The Hygiene Plus setting is ideal for chopping boards and food containers. It heats up to extra high temperature in the final rinse for maximum hygiene (not on delicate programme).

autoOpen dry
Gentle drying thanks to autoOpen dry. During the drying process, the door opens automatically and gently. This allows the natural drying of the dishes without the need for additional energy.

emotionLight
The emotionLight uses LED lights to create a cool blue glow emanating from inside your dishwasher. The emotionLight feature elevates the dishwasher's interior, bathing the cavity in a gentle, blue ambient light upon opening. This not only provides exceptional clarity for effortless loading and unloading of dishware but also serves as a striking design element. It is a seamless integration of high-performance functionality and sophisticated aesthetics.



For uninterrupted living.

Powerful cleaning that never disturbs the peace.

Silence on Demand feature in the Siemens Home Appliances App

With advanced noise reduction technologies and soundproofing materials, Siemens dishwashers operate at whisper-quiet levels – reducing the dishwasher noise level by up to 2dB – to minimise noise disruption in the home.

For a particularly quiet cycle, the Silence programme, further reduces the dishwasher noise level by 1-2dB. This is achieved by decreasing water pressure and extending the run time.



Silence programme

When the Silence programme is selected the dishwashers noise level is reduced by 1-2dB. This is achieved by decreasing water pressure and extending run time.



Silence on Demand

With the Siemens Home Appliances App, it is possible to pause the dishwasher for up to 30 minutes by selecting Silence on Demand via the Siemens Home Appliances App if silence is needed during the washing cycle.

If silence is needed unexpectedly, the Silence on demand features in the Siemens Home Appliances App, lets you pause the dishwasher for up to 30 minutes during any washing cycle.

Dishwasher product overview



Home Connect

Freestanding 60cm dishwasher range

Display type	60cm dishwasher	60cm dishwasher
 <p>Top edge touch control + TFT</p>	 <p>iQ 700 SN27T102CE • Stainless steel anti-fingerprint 14 place settings • 9.5 litres water consumption • varioDrawer • autoOpen dry • flexComfort Pro • Zeolith • glassZone • emotionLight</p>	
 <p>Touch control + LED</p>	 <p>iQ 500 SN25E113CE • Stainless steel anti-fingerprint • 14 place settings • 9 litres water consumption • varioDrawer • flexComfort • autoOpen dry • glassZone</p>	
 <p>Push buttons + LED</p>	 <p>iQ 500 SN25EC13CE • Black steel anti-fingerprint • 14 place settings • 9 litres water consumption • varioDrawer • autoOpen dry • flexComfort • glassZone</p>	 <p>iQ 500 SN25EW13CE • White • 14 place settings • 9 litres water consumption • varioDrawer • autoOpen dry • flexComfort • glassZone</p>

Please note: This overview table only shows some of the key features of each product to help with product selection. Please check matrix tables for full product specification.

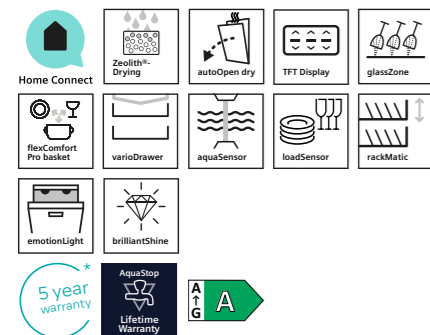
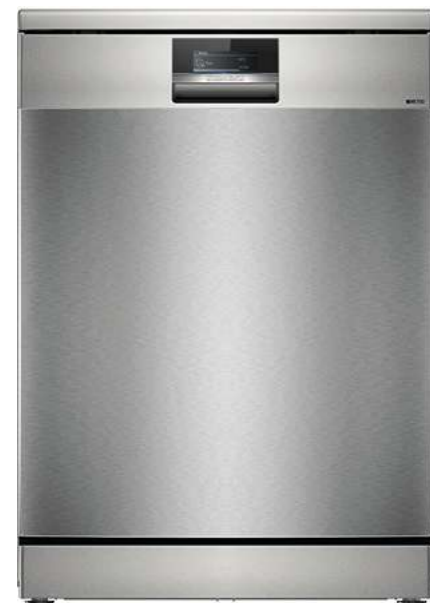
*5 year warranty - Offer dates: 01.04.26 – 31.03.27. T&C's apply. Online registration required.

60cm dishwashers

iQ 700 SN27TI02CE

60cm freestanding dishwasher
Stainless steel anti-fingerprint

600mm



60cm freestanding dishwasher
specifications

Appliance type	60cm freestanding dishwasher
Design family	iQ 700
Model number	SN27TI02CE
Colour	Stainless steel anti-fingerprint
Design features	
Drying system	Zeolith / autoOpen dry
Home Connect Wi-Fi connectivity	■
Control panel type	Top edge touch control + TFT
Basket description	flexComfort Pro
varioDrawer (3rd loading level)	■
glassZone	■
Glass care technology	■
Anti-slip protection / stemware support upper basket	■ / ■
Adjustable upper basket	rackMatic™ 3-stage
Number of flip tines in upper / lower basket	6 / 8
Cup shelves upper / lower baskets	2 / 2
Cutlery holder lower basket	-
Largest loadable dish upper / lower basket (cm)	21 / 30
aquaSensor	■
Real-time clock	■
Start delay time max hours	24
Time remaining indicator	■
Emotion light (interior lighting)	■
End of cycle indicator	Acoustic
Salt / Rinse aid light indicator	■ / ■
Self cleaning filter system	■
Flood protection system	AquaStop 24h
Safety features	Door lock
Programmes / Functions	
List of programmes	Intelligent 40°C, Eco 50°C, Auto 45-65°C, Intensive 70°C, Speed 60°C, brilliantShine 40°C, Silence 50°C, Favourite, Machine Care
Additional special options	Remote Start, Shine & Dry, intensiveZone, Hygiene Plus, varioSpeed Plus
Technical information	
Reference programme for measurements	Eco 50°C
Energy efficiency class ¹	A+ A
Energy ² / water ³ (kWh / litres)	54 / 9.5
Load capacity (place settings)	14
Programme duration ⁴ (h:min)	4:55
Noise level (dB [A] re 1pW)	44
Noise efficiency class	B
Noise level (silence programme) (dB [A] re 1pW)	42
Maximum height adjustability feet (mm)	2
Depth with open door 90 degree (cm)	115.5
Length of electrical supply cord (cm)	175
Length inlet / outlet hose (cm)	165 / 190
Height of the product with removable top (cm)	84.5
Height of the product without removable top (cm)	81.5
Width / Depth of the product (cm)	60 / 60
Net weight / Gross weight (kg)	51 / 53
Water softener ⁵	■
Maximum accepted water hardness (°DH)	50
Maximum temperature for water intake (°C)	60
Interior cavity	Stainless steel

■ Yes, model has this feature. – Feature not available for this model.

¹ On an energy-efficiency class scale from A to G.

² Energy consumption in kWh/100 operating cycles (using Eco programme).

³ Water consumption in litres/operating cycle (using Eco programme).

⁴ Duration of Eco programme.

⁵ We would recommend our dishwashers are connected to the mains water supply where possible. However, they may also be connected to an external water softener as long as the water softener produces softened water of less than 1.1 mmol/litre (7.0°e) and the water softener in the appliance is turned off. Please contact product advice for further information. Water pressure required: 0.5-10 Bar. Flow rate: 10 litres per minute. Inlet valve connected directly to ¾" screwed joint.

Data valid in this table as of April 2026. Subject to modification without prior notice.

*5 year warranty - Offer dates: 01.04.26 – 31.03.27. T&C's apply. Online registration required.



60cm freestanding dishwasher
specifications

Appliance type	iQ 500	iQ 500	iQ 500
Design family	SN25E13CE	SN25E13CE	SN25E13CE
Model number	SN25E13CE	SN25E13CE	SN25E13CE
Colour	Stainless steel anti-fingerprint	Black steel anti-fingerprint	White
Design features			
Drying system	autoOpen dry / Heat exchanger	autoOpen dry / Heat exchanger	autoOpen dry / Heat exchanger
Home Connect Wi-Fi connectivity	■	■	■
Control panel type	Touch control + LED	Push buttons + LED	Push buttons + LED
Basket description	flexComfort	flexComfort	flexComfort
varioDrawer (3rd loading level)	■	■	■
glassZone	■	■	■
Glass care technology	■	■	■
Anti-slip protection / stemware support upper basket	■ / ■	■ / ■	■ / ■
Adjustable upper basket	rackMatic™ 3-stage	rackMatic™ 3-stage	rackMatic™ 3-stage
Number of flip tines in upper / lower basket	2 / 8	2 / 8	2 / 8
Cup shelves upper / lower baskets	2 / 2	2 / 2	2 / 2
Cutlery holder lower basket	-	-	-
Largest loadable dish upper / lower basket (cm)	21 / 30	21 / 30	21 / 30
aquaSensor	■	■	■
Real-time clock	-	-	-
Start delay time max hours	24	24	24
Time remaining indicator	■	■	■
Emotion light (interior lighting)	-	-	-
End of cycle indicator	-	-	-
Salt / Rinse aid light indicator	■ / ■	■ / ■	■ / ■
Self cleaning filter system	■	■	■
Flood protection system	AquaStop 24h	AquaStop 24h	AquaStop 24h
Safety features	Control panel lock, door lock	Control panel lock, door lock	Control panel lock, door lock
Programmes / Functions			
List of programmes	Eco 50°C, Auto 45-65°C, Intensive 70°C, Speed 60°C, Speed 45°C, Glass 40°C, Silence 50°C, Favourite, Machine Care	Eco 50°C, Auto 45-65°C, Intensive 70°C, Speed 60°C, Speed 45°C, Glass 40°C, Silence 50°C, Favourite, Machine Care	Eco 50°C, Auto 45-65°C, Intensive 70°C, Speed 60°C, Speed 45°C, Glass 40°C, Silence 50°C, Favourite, Machine Care
Additional special options	Remote Start, intensiveZone, Half Load, varioSpeed Plus	Remote Start, intensiveZone, Half Load, varioSpeed Plus	Remote Start, intensiveZone, Half Load, varioSpeed Plus
Technical information			
Reference programme for measurements	Eco 50°C	Eco 50°C	Eco 50°C
Energy efficiency class ¹	A+ A	A+ A	A+ A
Energy ² / water ³ (kWh / litres)	54 / 9	54 / 9	54 / 9
Load capacity (place settings)	14	14	14
Programme duration ⁴ (h:min)	4:30	4:30	4:30
Noise level (dB [A] re 1pW)	42	42	42
Noise efficiency class	B	B	B
Noise level (silence programme) (dB [A] re 1pW)	41	41	41
Maximum height adjustability feet (mm)	2	2	2
Depth with open door 90 degree (cm)	115.5	115.5	115.5
Length of electrical supply cord (cm)	175	175	175
Length inlet / outlet hose (cm)	165 / 190	165 / 190	165 / 190
Height of the product with removable top (cm)	84.5	84.5	84.5
Height of the product without removable top (cm)	81.5	81.5	81.5
Width / Depth of the product (cm)	60 / 60	60 / 60	60 / 60
Net weight / Gross weight (kg)	52 / 53	52 / 53	52 / 53
Water softener ⁵	■	■	■
Maximum accepted water hardness (°DH)	50	50	50
Maximum temperature for water intake (°C)	60	60	60
Interior cavity	Stainless steel	Stainless steel	Stainless steel

■ Yes, model has this feature. – Feature not available for this model.

¹ On an energy-efficiency class scale from A to G.

² Energy consumption in kWh/100 operating cycles (using Eco programme).

³ Water consumption in litres/operating cycle (using Eco programme).

⁴ Duration of Eco programme.

⁵ We would recommend our dishwashers are connected to the mains water supply where possible. However, they may also be connected to an external water softener as long as the water softener produces softened water of less than 1.1 mmol/litre (7.0°e) and the water softener in the appliance is turned off. Please contact product advice for further information. Water pressure required: 0.5-10 Bar. Flow rate: 10 litres per minute. Inlet valve connected directly to ¾" screwed joint.

Data valid in this table as of April 2026. Subject to modification without prior notice.

*5 year warranty - Offer dates: 01.04.26 – 31.03.27. T&C's apply. Online registration required.

Laundry care, high performance with state-of-the-art technology

Siemens' built-in laundry range is intelligently designed and quietly efficient to make laundry easier and less of a chore.

Our machines are the perfect blend of cutting-edge technology and innovative design. Siemens built-in washing machines and washer dryers seamlessly integrate into any space – and with a focus on efficiency and convenience, they quietly deliver beautifully clean clothes.



Built-in
Laundry appliances

Siemens home laundry warranties:



5 year warranty

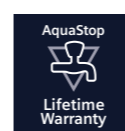
A five year warranty is available on the built-in washing machine listed in this brochure to protect against manufacturing and material faults during this warranty period.

*Offer dates: 01.04.26 – 31.03.27. Online registration required. For full T&Cs and qualifying appliances visit siemens-home.bsh-group.com/uk/customer-service/siemens-warranties



2 year warranty

A two year warranty is available on all Siemens built-in washer dryers listed in this brochure to protect against manufacturing and material faults during this warranty period.



AquaStop Lifetime Warranty

Selected Siemens laundry appliances have a lifetime AquaStop warranty to protect against water damage caused by a defective AquaStop system. For models with this warranty please check the matrix.



iQdrive® Motor 10 Year Warranty

The iQdrive® Motor Warranty is available on selected laundry machines to protect against any defects to the iQdrive® motor. For models with this warranty please check the laundry matrix.

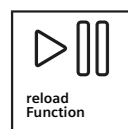
To find out more about warranty and for registration, please visit:
UK: siemens-home.bsh-group.com/uk/customer-service/siemens-warranties
IE: siemens-home.bsh-group.com/ie/customer-service/warranty



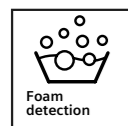
Our laundry appliances are designed to make laundry easier and less of a chore. They can be neatly concealed behind the door, maintaining clean lines and modern aesthetics. With a range of key features, doing laundry has never been more convenient.



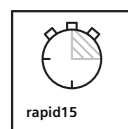
Model shown above: **WI14W502GB**



reload
The reload function is the perfect solution when an extra item needs to be added to the load. Once the icon is displayed, the washing machine can be paused and extra items can easily be added in.



Foam detection
Detects if too much foam has been created in the wash, if so, it will adjust the drum movement and add an extra rinse cycle if necessary.



rapid15
Washes, rinses and spins lightly soiled clothing in just 15 minutes. Designed for those with busy lifestyles.

Extremely quiet washing machines
Thanks to the brushless iQdrive motor and antiVibration side panels, Siemens built-in washing machines are particularly quiet in their class.

Extremely quiet washer dryers
Our washer dryers are designed to be as quiet as possible while still offering excellent performance and results when washing and drying.



Wool programme
An exceptionally gentle woollen hand wash programme. The drum is set to provide a cradle motion, with only an occasional rotation, giving a soft wash action. A special spin phase finishes the cycle.



Shirts/Blouses
The ideal programme for a week's worth of shirts, offering a reduced spin to reduce ironing. Suitable for up to 2kg worth of washing, this cycle is designed to run for just over an hour.



Mixed fabrics
Perfect for the mid-week wash of a mixture of cottons, and hard-wearing or easy-care fabrics. Load up to 4kg worth of garments with a running time of just 49 minutes.



Delicates/silk
This gentle programme is perfect for those delicate, washable fabrics, e.g. silk, satin, synthetics or blended fabrics (e.g. curtains). Cool temperatures, gentle spinning between the rinse cycles, and reduced final spin speeds reduce creases dramatically.



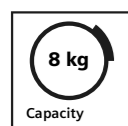
Model shown: **WI14W502GB**



The complete laundry solution with features that fit around any lifestyle

Features specific to integrated washing machines.

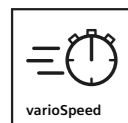
Check model for available functions.



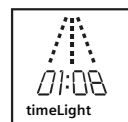
Capacity
The large 8kg drum capacity is the perfect size to hold more laundry and reduce the number of loads to wash.



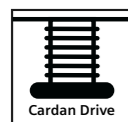
Drum Clean
An automatic alert after 20 washes to run the Drum Clean programme on a 90°C or 60°C wash keeps the appliance clean and odour free.



varioSpeed
This feature can automatically detect when time can be saved. The smart sensor identifies load volume and textile kind, to adapt the washing machine's programme time efficiently to suit the specific load, delivering perfectly clean laundry in up to 65% less time.*



timeLight
Stay in control. The timeLight projects the remaining cycle time and programme status onto any floor surface to keep the consumer informed at a glance, and is visible without opening the cabinet door.



Easy Installation – Cardan Drive
Our built-in washing machine with Cardan Drive is designed to make the installation very convenient. It enables the washing machine to match to the height of furniture by adjusting the height of the rear feet of the washing machine at any niche height up to 60mm. Just place the appliance into the niche and adapt the back feet easily with a screwdriver from the front.



Model shown: WI14W502GB washing machine



iQdrive® Motor 10 Year Warranty
The iQdrive® Motor Warranty is available on selected laundry machines to protect against any defects to the iQdrive® motor. For models with this warranty please check the laundry matrix.

*Difference between the duration of the Easy Care Programme 40°C and the duration of the Easy Care Programme 40°C in combination with the varioSpeed option.



Model shown: WK14D490GB washer dryer

Features specific to integrated washer dryers.

Check model for available functions.



Washing Capacity
The large 8kg washing capacity ensures clothes can be washed with fewer loads.



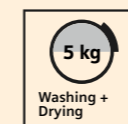
ActiveWater™
Helps to reduce water consumption thanks to a 2-step automatic load adjustment system.



Drying Capacity
The 5kg drying capacity ensures clothes can be dried effectively.



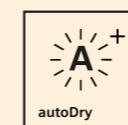
Drum clean
A dedicated programme for periodic cleaning of the machine interior.



Washing + Drying
The continuous washing and drying cycle is suitable for loads up to 5kg. This cycle will first wash clothes on the chosen setting and once finished, will automatically switch to drying the clothes for ease and speed.



Outdoor
Specialised programme for washing waterproof clothing with membrane technology to protect the fabric and seams. For use with outdoor fabric detergent.

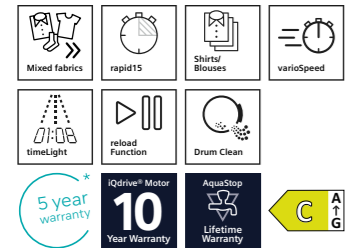


autoDry
Gently dries laundry to the exact degree of dryness desired.

Washing machines

IQ 700 WI14W502GB

Built-in washing machine
White 1400rpm spin speed



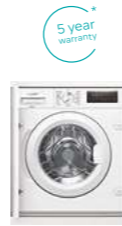
Integrated washing machine specifications

Appliance type	Built-in washing machine
Design family	IQ700
Model number	WI14W502GB
Programmes / Functions	
Standard Washing Programmes	
Eco 40-60	■
Cottons	■
Easy-care programme	■
Wool programme	■
Delicates/silk	■
Mixed fabrics	■
Additional Programmes	
rapid15/rapid30'	■
rapid60'	■
Outdoor (waterproofing)	■
Shirts/blouses	■
Duvet	■
Dark Wash	■
Hygiene 60°C	■
Reduced noise wash	■
Spin/Drain	■
Rinse	■
Options	
Extra rinse	■
Prewash	■
Variable temperature	■
Variable spin	■
varioSpeed	■
Additional features	
timeLight	■
iQDrive®	■
AquaStop	■
reload	■
Foam detection	■
Drum Clean	■
Performance & consumption	
Energy efficiency class ¹	C
Load capacity (kg)	1 - 8
Energy ² / Water ³ (kWh / litres)	62 / 45
Programme duration ⁴ (h:mm)	3:26
Maximum spin speed (rpm) ⁵	1400
Spin efficiency class	B
Noise level (dB [A] re 1pW)	66
Noise emission class	A
Drum volume (litres)	55
Technical information	
Dimensions of the product: H x W x D (inc. hinge and 19mm door) (mm)	818 x 596 x 544 (574)
Door opening angle	130°
Depth with door open 90° (mm)	956
Height adjustable by (mm)	12
Length of electrical supply cord (mm)	2100
Length of supply hose / drain hose (mm)	1500 / 1500
Door hinge (door porthole)	Left-hand
Cabinet colour	White
Easy installation Cardan Drive	■
Optional accessory for washing machine	
Floor securing component	WX975600

■ Yes, model has this feature. – Feature not available for this model.

¹ On an energy-efficiency class scale from A to G. ² Energy consumption in kWh/100 operating cycles (using Eco 40-60 programme). ³ Water consumption in litres/operating cycle (using Eco 40-60 programme). ⁴ Duration of Eco 40-60 programme. ⁵ The specified value is rounded.

Data valid in this table as of April 2026. Subject to modification without prior notice. ^{*} 5 year warranty - Offer dates: 01.04.26 – 31.03.27. T&Cs apply. Online registration required.



Washer dryers

IQ 500 WK14D490GB

Built-in washer dryer
White 1400rpm spin speed



Integrated washer dryer specifications

Appliance type	Built-in washer dryers	
	IQ500	IQ300
Design family	IQ500	IQ300
Model number	WK14D490GB	WK14D260GB
Programmes / Functions		
Standard Washing Programmes		
Eco 40-60	■	■
Cottons	■	■
Easy-care programme	■	■
Wool programme	■	■
Delicates/silk	■	■
Rinse/Spin	■	■
Drain/Spin	■	■
Additional Programmes		
Hygiene	■	■
rapid15'	■	■
Quiet wash	■	–
Mixed fabrics	■	■
Drying programmes		
Gentle dry	■	■
Intensive dry	■	■
Fluff removal programme	■	■
Options		
varioSpeed	■	■
Easy iron	■	–
Intensive	■	■
Water Plus	■	–
Rinse hold	■	■
Prewash	■	–
Variable spin	■	■
Variable temperature	■	■
Additional features		
autoDry	■	–
AquaStop	■	–
Foam detection	■	■
Reload	■	■
Time delay	24h	24h
Performance & consumption		
Energy efficiency class washing and drying ¹	E	E
Energy efficiency class washing ²	A	A
Energy ³ / Water ⁴ washing and drying (kWh / litres)	324 / 80	324 / 80
Energy ³ / Water ⁴ washing (kWh / litres)	47 / 48	47 / 48
Load capacity washing and drying / washing (kg)	5 / 8	5 / 8
Programme duration ⁵ washing and drying / washing (h:mm)	9:20 / 3:38	9:20 / 3:38
Spin efficiency class	B	B
Spin speed ⁶ (rpm)	1400	1400
Noise level (dB [A] re 1pW)	68	68
Noise emission class	A	A
Drum volume (litres)	53	53
Technical information		
Dimensions of the product: H x W x D (inc. hinge and 19mm door) (mm)	820 x 594 x 550 (574)	820 x 595 x 550 (574)
Door opening angle	95°	95°
Depth with door open 90° (mm)	975	975
Height adjustable by (mm)	16	16
Length of electrical supply cord (mm)	220	220
Length of supply hose / drain hose (mm)	1500 / 1500	1500 / 1500
Door hinge (door porthole)	Left-hand	Left-hand
Cabinet colour	White	White

■ Yes, model has this feature. – Feature not available for this model.

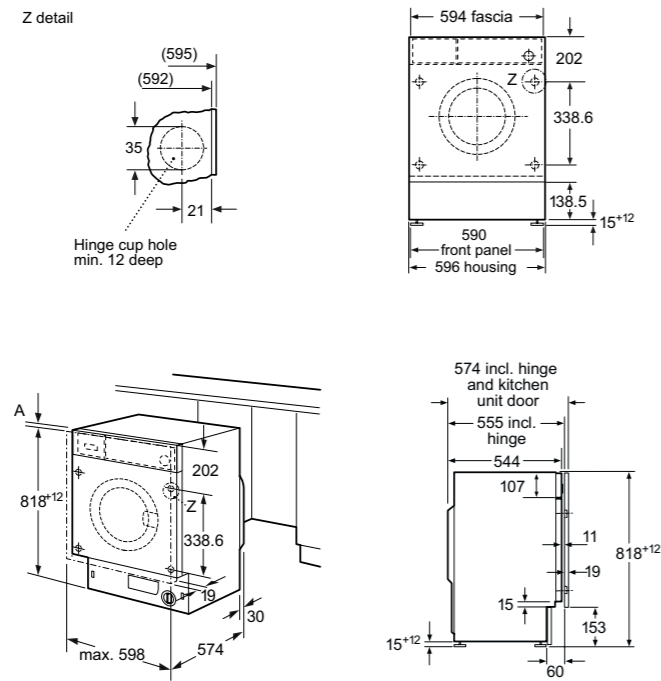
^{1,2} On an energy-efficiency class scale from A to G. ³ Energy consumption in kWh/100 complete operating cycles (using Eco 40-60 programme). ⁴ Water consumption in litres/complete operating cycle (using Eco 40-60 programme). ⁵ Energy consumption in kWh/100 wash cycles (using Eco 40-60 programme). ⁶ Water consumption in litres/wash cycle (using Eco 40-60 programme). ⁷ Duration of Eco 40-60 programme, complete operating cycle / wash cycle. ⁸ The specified value is rounded.

Data valid in this table as of April 2026. Subject to modification without prior notice.

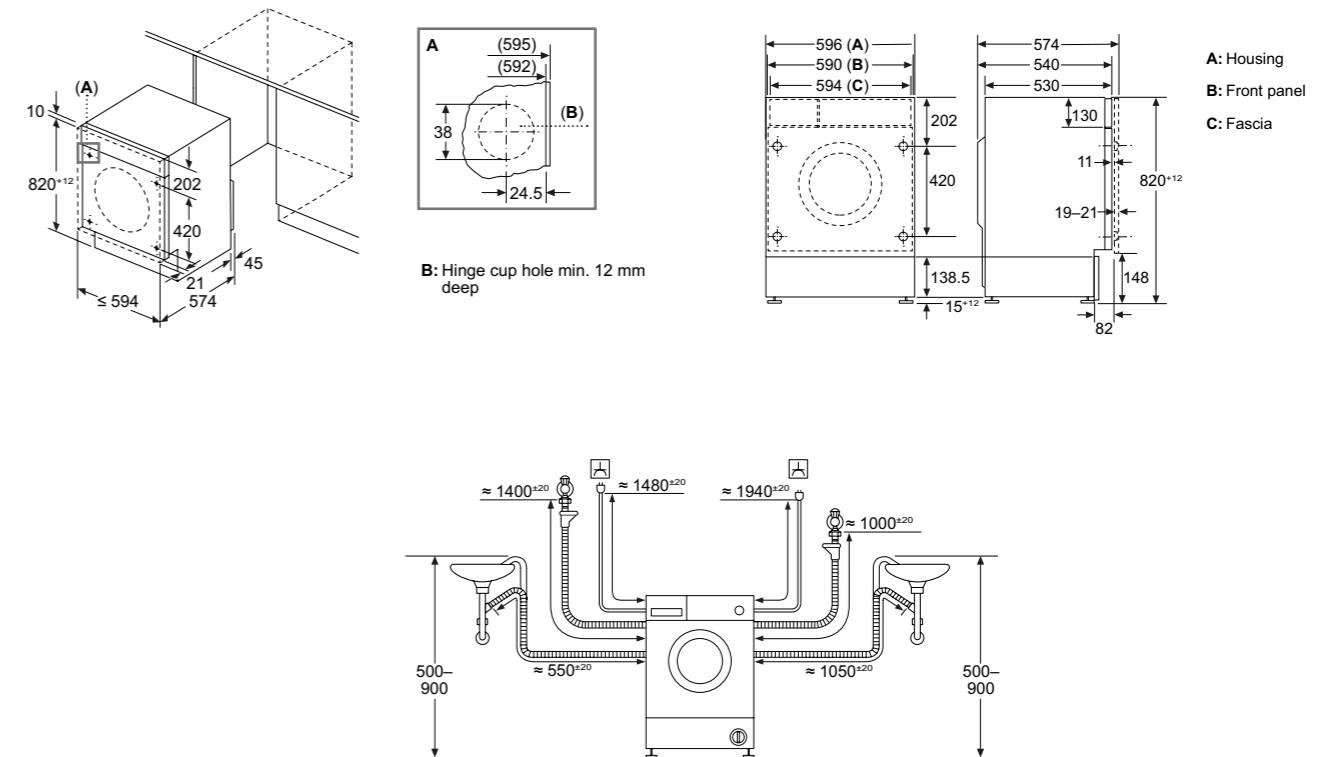


Laundry appliance technical diagrams

Integrated washing machine W114W502GB



Integrated washer dryers WK14D490GB and WK14D260GB



Welcome to a freestanding range with a host of intelligent laundry solutions

Siemens' freestanding washing machines, washer dryers and tumble dryers deliver outstanding results every time.

Sleek, streamlined, and stylish, Siemens freestanding laundry appliances not only look great in the home, they perform perfectly too. With state-of-the-art technology Siemens freestanding washing machines are extremely energy efficient, easy to use, and most importantly designed to save time and resources.

All Siemens freestanding tumble dryers feature sensor drying, which provides uniform drying results, and makes over-drying a thing of the past, meaning laundry is easier and less of a chore.

Siemens freestanding washer dryers combine the innovative functions of modern washing machines and dryers in one appliance to save effort, time and space. Conveniently control both washing and drying cycles, at the touch of a button, with the large display and clear operation on these intelligent appliances.



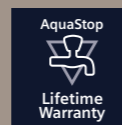
Siemens home laundry warranties:



5 year warranty

A five year warranty is available on all freestanding washing machine, washer dryer and tumble dryer models listed in this brochure to protect against manufacturing and material faults during this warranty period.

*Offer dates: 01.04.26 – 31.03.27. Online registration required. For full T&Cs and qualifying appliances visit [siemens-home.bsh-group.com/uk/customer-service/siemens-warranties](https://www.siemens-home.bsh-group.com/uk/customer-service/siemens-warranties)



Lifetime AquaStop Warranty

Selected Siemens laundry appliances have a lifetime AquaStop warranty to protect against water damage caused by a defective AquaStop system. For models with this warranty please check the matrix.



iQdrive® 10 Year Warranty

The iQdrive® Motor Warranty is available on all washing machines to protect against any defects to the iQdrive® motor.

To find out more about warranty and for registration, please visit:
 UK: [siemens-home.bsh-group.com/uk/customer-service/siemens-warranties](https://www.siemens-home.bsh-group.com/uk/customer-service/siemens-warranties)
 IE: [siemens-home.bsh-group.com/ie/customer-service/warranty](https://www.siemens-home.bsh-group.com/ie/customer-service/warranty)



Models shown: WG56H2A9GB iQ500 washing machine and WQ46H2D9IE iQ500 matching tumble dryer

Freestanding
Laundry appliances



Models shown: WQ46H2D9IE (top) iQ500 tumble dryer and WG56H2A9GB (bottom) iQ500 matching washing machine

Rethink laundry care with the Siemens Intelligent Utility Room

When space is no issue, a dedicated utility room can offer more convenience, efficiency, and organisation.

All the laundry essentials – detergents, fabric softeners, ironing board – can be found in one organised, easy-to-access place. A laundry room offers ample storage, helping to keep the home clutter-free and laundry essentials at one's fingertips.

Above all, a laundry room is a time-saver. With everything needed in one place to wash, dry, fold, and iron in record time.

Our advanced laundry technology further delivers control, convenience and flexibility to the process with appliances designed to not only clean clothes but also to automate as much of the process as possible to free time for more important tasks.



Home Connect



Siemens laundry appliances are designed to be intelligent and efficient, knowing exactly when to start a wash cycle to maximise energy efficiency, and when to adjust water levels based on the load size to preserve resources. They dispense the optimal dosage of detergent, ensuring excellent results. With the Siemens Home Appliances App, stay informed and educated on the best programmes to save resources or time, and easily access the most frequently used programmes. A laundry room that truly adapts to individual needs.

Even with limited space for laundry appliances, these washing machines, tumble dryers and washer dryers still seamlessly fit into an everyday kitchen. Our appliances are equipped with great features, offering convenience and efficiency as the standard.



Models shown left: WG56H2A9GB iQ500 washing machine and WQ46H2D9IE iQ500 matching tumble dryer

Washing machine key features

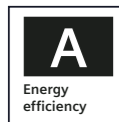
Siemens laundry appliances are full of innovative features designed to effortlessly maintain the quality and appearance of clothes.



Model shown: WG66B2A1GB

Time saving programmes, a targeted stainRemoval feature, reduced ironing cycles, and the smart connection between the washer and dryer, simplify every aspect of doing laundry.

A new level of convenience.

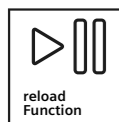


A-rated – Our most energy-efficient washing machines
Siemens A-rated washing machines are highly energy-efficient, helping you save on utility bills and reduce your environmental impact.

Some of our models are even designed to consume up to 20% less energy compared to a standard Energy Efficiency Class A machine* with a rating of A-20%

This is achieved with the help of intelligent sensors and advanced technologies, that optimise water usage and detergent dosage for efficient and effective cleaning.

*20% more efficient (40 kWh/100 cycles) than the limit value (51.4 kWh/100 cycles) of the energy efficiency class A according to EU-Regulation 2019/2014 (Retained EU Legislation).

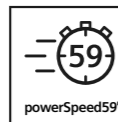


reload
The reload function allows the machine to be paused and the door opened, to add any extra item to the load at the next safe opportunity while a programme is running.

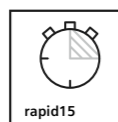


antiVibration
Having antiVibration technology built-in to the design of the machine makes the appliance more stable, which, in turn, makes it quieter.

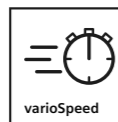
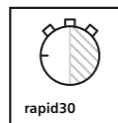
Fast track to fresh laundry.



powerSpeed 59 system
With the powerSpeed system, the laundry gets evenly soaked and heated up much faster and more consistently, for more thorough washing. Suited for up to 5kg of cottons or blended fabrics, the powerSpeed 59 result is achieved by a second pump that feeds the water into the drum at the beginning of the washing process. In parallel, the detergent is mixed with water and gets sprayed into the centre of the load, shortening the run time to only 59 minutes and increasing the wash performance.

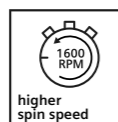


rapid15 and rapid30
Need a clean shirt an hour before leaving the house? The rapid15 and rapid30 washing programmes are the perfect solution. These innovative features wash, rinse and spin clothes in under an hour.

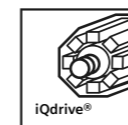


Get perfectly clean laundry in up to 65%* less time with varioSpeed
Available on all our washing machines, this feature can automatically detect when time can be saved. The smart sensors identify load volume and type of textile, hence adapting the washing machine's process time efficiently to suit the specific load.

*Difference between the duration of the Easy Care Programme 40°C and the duration of the Easy Care Programme 40°C in combination with the varioSpeed option.



Higher spin speed for faster drying
With a high and powerful spin speed of 1600 RPM (revolutions per minute), our Siemens washing machines will extract more water from the clothes. The higher the spin speed, the drier the clothes will be at the end of the wash cycle. This reduces the amount of moisture left in the clothes, resulting in shorter drying times.



iQdrive®
At the heart of our washing machine lies the intelligent iQdrive motor. Engineered with a frictionless, brushless design, it delivers exceptionally quiet and efficient performance.

The wear-free mechanism not only ensures outstanding durability and a long service life but also guarantees uncompromising power for consistently high-performance laundry results.



Engineered for superior capacity and flexibility
The new 10kg and 11kg washing machines offer a new dimension of laundry performance. The expansive drum volume effortlessly accommodates substantial loads, from the entire week's laundry to bulky textiles like duvets and curtains.



This allows for the consolidation of wash cycles, leading to greater time efficiency and resource management. It is intelligent design that adapts to the demands of modern life, providing ultimate convenience without compromise.



Just add laundry with i-Dos.



The i-Dos system automatically determines how much detergent is needed for each wash load, based on the weight of the laundry and programme used. Once the laundry is placed in the drum the intelligent washing machine will automatically determine the optimum allocation of detergent.

The built-in drawer conveniently holds enough liquid detergent for around 20 washes which removes the need to measure and fill the container for every wash. As the correct amount of liquid detergent is used every time, clothes will receive the perfect wash whilst saving time, water and detergent. This will result in hassle-free laundry and perfectly clean clothes. With the Siemens Home Appliances App, the detergent scan feature will even further adjust the dosing based on the detergent used.



Efficient laundry care, intuitively



Models shown:
WG56H2A9GB (left) iQ500 washing machine and
WQ46H2D9IE (right) iQ500 matching tumble dryer

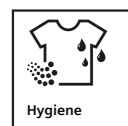
Siemens washing machines take the hassle out of laundry.

Take full advantage of the latest technology and innovation, designed to make laundry less of a chore.



Automatic programmes

Whether normal or delicate items – the automatic programme's 'Auto' function adjusts the entire wash cycle to suit various laundry needs for optimum effect. Perfect for hard-wearing fabrics this mode will even add extra detergent if the washing is heavily soiled.



Hygienically clean laundry – The Hygiene programme

The Hygiene programme* is particularly suitable for people with allergies.

*Available via app download on some models.



Meets the highest hygiene standards – The Drum Clean programme

An automatic alert after 20 washes notifies when to run the Drum Clean programme on a 90°C or 60°C wash which keeps the appliance clean and odour free.



Smoother clothes straight from the wash

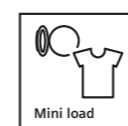
Our Added steam option prevents freshly washed clothes coming out of the washing machine all crinkled up. It adds a gentle post-wash steam cycle that helps reduce wrinkles by up to 40%** on both cotton t-shirts and cotton shirts, to help save time and reduce ironing.

**Relating to the crease reduction of commercial cotton garments (T-shirts) in the Mix Program with a 4 kg load and activated Added Steam Option in comparison to textiles not treated with Added Steam option according to DIN EN ISO 15487.



Cut down on ironing with smartFinish

This programme helps reduce time spent on ironing by introducing a gentle dose of steam during the cycle to smooth away creases. With smartFinish, even badly creased items are significantly smoothed out within 20 minutes.



Mini load – The efficient option for small loads

Simply add Mini load to the chosen wash programme, and the washing machine will automatically adjust its setting and the amount of water needed. Perfect for single items, newly bought clothes or very small loads.



Download and install the Siemens Home Appliances App. Partners brought to you by Siemens Home Connect.

Take a load off with Siemens Home Connect.

Siemens' smart washing machines, with Siemens Home Connect, have exciting features that provide more flexibility and choice when doing laundry.

Optimal dosing of detergent

i-Dos accurately dispenses detergent based on fabric type, water hardness and degree of soiling. With the detergent scan on the Siemens Home Appliances App, the intelligentDosing can even be further optimised. Simply scan the chosen detergent and fabric softener and the Siemens Home Appliances App will set up the ideal dosage settings perfectly, only using the exact amount of detergent needed, every time.

Match the laundry programme to specific needs

Use the Siemens Home Appliances App to guide programme selection. There is a description for each programme and an indication of its energy and water consumption, so the best decision can be made for specific laundry needs. The Siemens Home Appliances App also enables the washing machine and the dryer to work together. The dryer automatically chooses the right programme and the most suitable drying target based on the load washed in the washing machine.

Connected partners

With our connected partners – Amazon Alexa, Google Home and IFTTT – any living space can be turned into a fully connected home. Speak to appliances simply by asking Amazon Alexa or Google Home. With the IFTTT app, Siemens Home Connect appliances can be connected to a wider range of smart devices. Set up applets and digital commands to create bespoke solutions such as programming smart lights to flash when the laundry cycle ends.

For more information about Siemens Home Connect, visit Siemens Home UK: siemens-home.bsh-group.com/uk or Siemens Home IE: siemens-home.bsh-group.com/ie

Or scan the QR code to learn more about our smart laundry appliances.

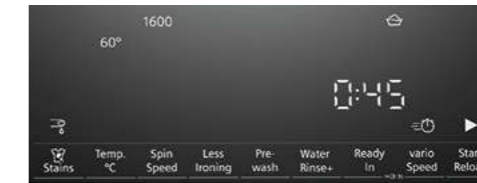




Intelligent precision.
Unbeatable stain removal.

Clear display for easy selection.

All our models feature easy to use, intuitive LED displays to provide a full overview and make operation effortless.



Display on **WG46G2Z4GB** and **WG56G2Z4GB** iQ500 washing machines



Display on **WG56H2A9GB** and **WG56H2AXGB** iQ500 washing machines



Display on **WG66B2A1GB** and **WG66B2AXGB** iQ700 washing machines



Tough on stains, gentle on clothes.



With the stainRemoval system, tough stains can be removed effortlessly without the need for specialist products or pre-washing. After loading clothes in the machine, up to 16 stain treatments* are available to select from.

Whether it is red wine or coffee, dirt or grass, blood or even cosmetics, our stainRemoval system automatically optimises the wash settings to remove individual stains from laundry. The system tailors the wash according to the nature of the stain, creating the perfect balance between the mechanical drum action, water level, wash time and temperature, saving you time, money on buying specialist products and removing the need for pre-washing.



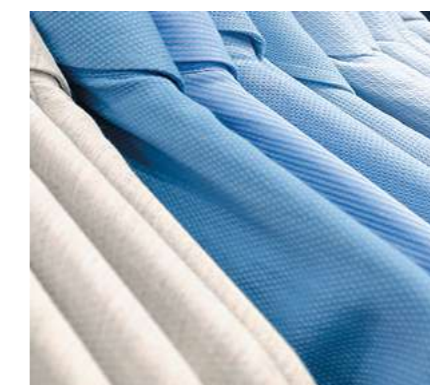
Outdoor
Specialised programme for washing waterproof clothing with membrane technology to protect the fabric and seams. For use with outdoor fabric detergent.



Outdoor/waterproof
This programme can be used to apply a waterproof treatment to breathable fabrics, prolonging the life of high-quality functional clothing like winter jackets, fleeces and ski wear.



Drum interior light
The drum is lit after switching on the appliance, after opening and closing the door, and after starting the programme for extra convenience. The light switches off automatically.



Less Ironing option
At the touch of a button, 'Less Ironing' can be added to a selected programme. This ensures the machine gently and evenly drains the water and reduces the spin speed, helping to keep creases to a minimum.



Fast and efficient washing machines with added peace of mind.

*Offer dates: 01.04.26 – 31.03.27.
Online registration required.
For full T&Cs and qualifying appliances visit
UK: [siemens-home.bsh-group.com/uk/customer-service/siemens-warranties](https://www.siemens-home.bsh-group.com/uk/customer-service/siemens-warranties)
IE: [siemens-home.bsh-group.com/ie/customer-service/warranty](https://www.siemens-home.bsh-group.com/ie/customer-service/warranty)

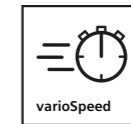
Drying, redefined in every cycle



Models shown:
WG56H2A9GB (left) iQ500 washing machine and
WQ46H2D9IE (right) iQ500 matching tumble dryer

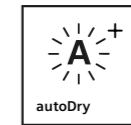


Models shown:
WG56H2A9GB (left) iQ500 washing machine and
WQ46H2D9IE (right) iQ500 matching tumble dryer



varioSpeed
Speed up the drying process up to 38% with a click of a button
 When time is a priority the varioSpeed option can be activated to speed up the drying cycle significantly on selected programmes. With varioSpeed, the drying time can be reduced by up to 38%*.

*Comparison of the runtime of cotton cupboard dry plus and cotton cupboard dry plus with varioSpeed option activated.

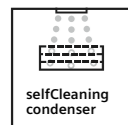


autoDry
Protects clothes by drying at lower temperatures
 Achieves excellent drying results via sensor technology.

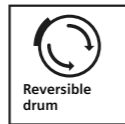


intelligentDry
Engineered synergy for the ultimate laundry care
 With intelligentDry, the dryer automatically adapts its cycle based on data sent from the washing machine. The Siemens Home Appliances app allows the washing machine to transmit precise details on the load, fabrics, and remaining moisture. Based on this information, the dryer then selects and runs the ideal programme, removing any guesswork and guaranteeing perfectly coordinated fabric care.

iQ500 tumble dryers



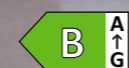
selfCleaning condenser
Automatically cleans the condenser to ensure excellent results and constant low energy consumption
 Our innovative selfCleaning condenser automatically cleans itself by effectively removing lint, ensuring that your tumble dryer performs at its best cycle after cycle. This cutting-edge feature guarantees excellent drying performance and maintains constant low energy consumption.



Reversible drum
Prevents large laundry pieces from tangling by alternating the drum rotation in bed linen programme
 With Reversible drum in bed linen programme, the drum rotation changes the direction and thus prevents large laundry pieces from getting tangled. For laundry loads up to 3.5 kg, it can be selected as an automatic programme finishing.



Model shown:
WQ46H2D9IE tumble dryer



Model shown:
WQ46H2D9IE tumble dryer



Siemens Home Connect
Intelligent control over drying with Siemens Home Connect
 Siemens dryers provides superior fabric care via precision programmes and offers ultimate convenience through remote operation and timely notifications. The synergy of these features ensures the appliance operates with optimal efficiency, while peak performance is guaranteed by effortless maintenance alerts. By eliminating guesswork and optimising efficiency, they deliver intelligent convenience designed for a modern lifestyle. Further details can be found on page 269.

Stacking kits

Not only helping to stabilise the dryer on top of the washing machine, the shelf allows the easy loading and unloading of the dryer.

	WZ27500 with pull-out shelf White	WZ227510 standard White	WZ27400 with pull-out shelf White	WZ27410 standard White
WQ46H2D9IE	■	■		
WQ45G200GB	■		■	■



State-of-the-art technology is at the heart of all Siemens tumble dryers.

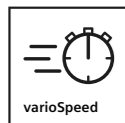
*Offer dates: 01.04.26 – 31.03.27. Online registration required.
 For full T&Cs and qualifying appliances visit
UK: [siemens-home.bsh-group.com/uk/customer-service/siemens-warranties](https://www.siemens-home.bsh-group.com/uk/customer-service/siemens-warranties)
IE: [siemens-home.bsh-group.com/ie/customer-service/warranty](https://www.siemens-home.bsh-group.com/ie/customer-service/warranty)

A breath of fresh air: Siemens washer dryers

Enjoy the luxury of complete laundry care without needing a lot of space.

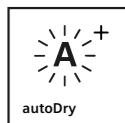


Model shown: WN54G1A1GB



varioSpeed

Get perfectly clean laundry in up to 65%* less time. This feature can automatically detect when time can be saved. The smart sensor identifies load volume and type of textile, hence adapting the washing machine's process time efficiently to suit the specific load.



autoDry

autoDry technology prevents overheating or uneven drying. Sensors precisely measure and control the temperature and moisture of laundry, preventing it from shrinking.



selfCleaning condenser (Washer Dryers and Tumble Dryer)

An automatic selfCleaning condenser is integrated into many Siemens laundry appliances helping to keep the condenser lint free. This sensor-controlled programme is intuitive and collects lint during each drying cycle. The result is a continually lint-free condenser that helps to keep energy consumption constantly low at all times. The fluff just needs to be removed from the lint filter after every cycle.

*Difference between the duration of the Easy Care Programme 40°C and the duration of the Easy Care Programme 40°C in combination with the varioSpeed option.



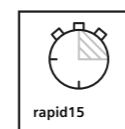
Fast and efficient washer dryers with added peace of mind.

*Offer dates: 01.04.26 – 31.03.27. Online registration required.
For full T&Cs and qualifying appliances visit
UK: [siemens-home.bsh-group.com/uk/customer-service/siemens-warranties](https://www.siemens-home.bsh-group.com/uk/customer-service/siemens-warranties)
IE: [siemens-home.bsh-group.com/ie/customer-service/warranty](https://www.siemens-home.bsh-group.com/ie/customer-service/warranty)



The i-Dos system automatically determines how much detergent is needed for each wash load, based on the weight of the laundry and programme used. Once the laundry is placed in the drum the intelligent washing machine will automatically determine the optimum allocation of detergent.

The built-in drawer conveniently holds enough liquid detergent for around 20 washes which removes the need to measure and fill the container for every wash. As the correct amount of liquid detergent is used every time, clothes will receive the perfect wash whilst saving time, water and detergent. Resulting in hassle-free laundry and perfectly clean clothes.



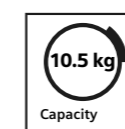
rapid15 and rapid30

Need a clean shirt an hour before leaving the house? The rapid15 and rapid30 washing programmes are the perfect solution. These innovative features wash, rinse and spin clothes in under an hour.



Wash&Dry60 and Wash&Dry45

With just one push of the button, the washer dryer perfectly washes and carefully dries up to 1kg of laundry in only 60 minutes on iQ500 WN54G1A1GB and even faster, in 45 minutes on iQ700 WN54C2ATGB. Perfect for when clothes need to be prepared quickly.



10.5kg washing and 6kg drying capacity

This model provides ultimate convenience. Ideal for families to wash and dry in one go with a larger-than-average load capacity.



smartFinish

The smartFinish programme uses gentle steam to reduce wrinkles, cutting down ironing time. Even badly wrinkled shirts and blouses are significantly smoothed out.

Laundry appliance product overview

Freestanding washing machine and tumble dryer range

Washing machine	Washing machine	Washing machine
iQ 700 WG66B2AXGB Silver inox	iQ 700 WG66B2A1GB White	iQ 500 WG56H2AXGB Silver inox
<ul style="list-style-type: none"> 11kg capacity 1600 spin i-Dos intelligent dosing Detergent Scan smartFinish Mini Load powerSpeed 59 varioSpeed Reload function iQDrive® stainRemoval System 	<ul style="list-style-type: none"> 11kg capacity 1600 spin i-Dos intelligent dosing Detergent Scan smartFinish Mini Load powerSpeed 59 varioSpeed Reload function iQDrive® stainRemoval System 	<ul style="list-style-type: none"> 10kg capacity 1600 spin i-Dos intelligent dosing Detergent scan smartFinish varioSpeed Reload function iQDrive® stainRemoval System



Washing machine	Washing machine	Washing machine
iQ 500 WG56H2A9GB White	iQ 500 WG56G2Z4GB White	iQ 500 WG46G2Z4GB White
<ul style="list-style-type: none"> 10kg capacity 1600 spin i-Dos intelligent dosing Detergent scan smartFinish varioSpeed Reload function iQDrive® stainRemoval System 	<ul style="list-style-type: none"> 10kg capacity 1600 spin smartFinish Reload function iQDrive® stainRemoval System 	<ul style="list-style-type: none"> 9kg capacity 1600 spin smartFinish Reload function iQDrive® stainRemoval System

Freestanding tumble dryer range

Tumble dryer	Tumble dryer
iQ 500 WQ46H2D9IE White	iQ 500 WQ45G200GB White
<ul style="list-style-type: none"> 9kg capacity Heat pump intelligentDry antiVibration design varioSpeed selfCleaning condenser Reversible drum 	<ul style="list-style-type: none"> 9kg capacity Heat pump antiVibration design selfCleaning condenser Reversible drum



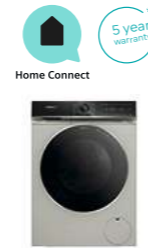
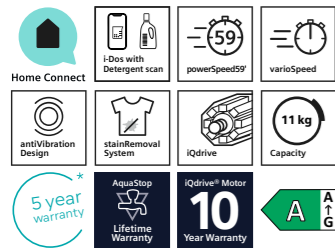
Freestanding washer dryer range

Washer dryer	Washer dryer
iQ 700 WN54C2ATGB Silver	iQ 500 WN54G1A1GB White
<ul style="list-style-type: none"> 10.5kg/6kg capacity 1400 spin speed i-Dos intelligent dosing Detergent Scan iQDrive® varioSpeed Reload facility autoDry selfCleaning condenser smartFinish Outdoor/waterproofing Wash & Dry 45' 	<ul style="list-style-type: none"> 10.5kg/6kg capacity 1400 spin speed i-Dos intelligent dosing Detergent Scan iQDrive® varioSpeed Reload facility autoDry selfCleaning condenser smartFinish Wash & Dry 60'

Washing machines

iQ 700 WG66B2AXGB

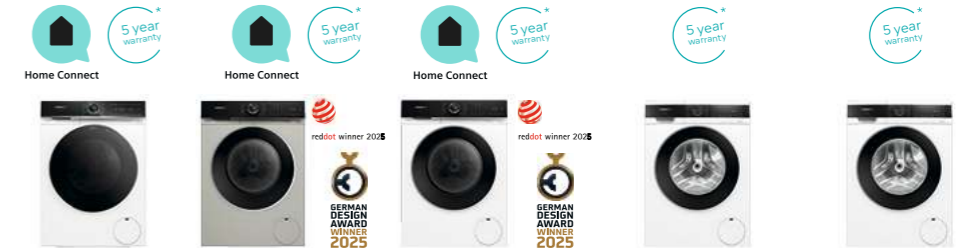
Freestanding washing machine
Silver inox 1600rpm spin speed



Freestanding washing machine specifications

Appliance type	Freestanding washing machine
Design family	iQ 700
Model number	WG66B2AXGB
Colour	Silver inox
Key features	
smartFinish	■
Detergent Scan	■
Mini Load	■
Home Connect	■
i-Dos intelligent dosing system	■
powerSpeed 59'	■
varioSpeed	■
Reload function	■
iQDrive®	■
antiVibration design	■
Consumption indicator	via APP
stainRemoval System	■
Added Steam	■
Additional features	
Variable temperature / Variable spin	■ / ■
Drum interior light	■
Display	LED
Control panel lock	■
Delay start by (hours)	24
Drum Clean programme	via APP
Water protection system	AquaStop
Standard programmes	
Eco 40-60	■
Cottons / Cottons Colour	■ / -
Easy Care / Mixed	■ / ■
Delicate/Silk / Wool	■ / ■
Additional programmes / Functions	
Auto programme	■
Hygiene	via APP
Rapid 15' / Rapid 30'	■ / ■
Shirts	via APP
Outdoor / Outdoor (with added option waterproofing)	- / ■
Dark Wash/Easy Care Plus	via APP
Lingerie / Towels	- / -
Curtaains / Duvet	- / -
Rinse / Spin / Drain	■ / ■ / -
SpiniDrain	■
Prewash	■
Extra Rinse / Rinse hold	- / ■
Water Plus	■
Reduced ironing / Reduced noise	- / -
Memory programmes	■
Performance	
Energy efficiency class ¹	A -20%
Load capacity (kg)	1-11
Energy ² / Water ³ (kWh / litres)	42 / 44
Programme duration* (h:mm)	03:59
Maximum spin speed (rpm) ³	1600
Spin efficiency class	A
Noise level (dB [A] re 1pW)	72
Noise emission class	A
Duration of Quick Wash programme (minutes)	15/30
Technical information	
Dimensions: H x W x D (inc. door porthole) (mm)	845 x 598 x 590 (638)
Door opening angle	188°
Depth with door open 90° (mm)	1090
Height adjustable by (mm)	12
Length of supply / drain hose (mm)	1500 / 1500
Length of mains cable (mm)	2100
Door hinge	Left-hand
Drum type	waveDrum
Drum volume (litres)	70

■ Yes, model has this feature. - Feature not available for this model.
¹ On an energy-efficiency class scale from A to G. ² Energy consumption in kWh/100 operating cycles (using Eco 40-60 programme). ³ Water consumption in litres/operating cycle (using Eco 40-60 programme). * Duration of Eco 40-60 programme. ⁴ The specified value is rounded.
 Data valid in this table as of April 2026. Subject to modification without prior notice.
 *5 year warranty - Offer dates: 01.04.26 – 31.03.27. T&C's apply. Online registration required.



Freestanding washing machine specifications

Appliance type	Freestanding washing machines				
Design family	iQ 700	iQ 500	iQ 500	iQ 500	iQ 500
Model number	WG66B2A1GB	WG56H2AXGB	WG56H2A9GB	WG56G2Z4GB	WG46G2Z4GB
Colour	White	Silver inox	White	White	White
Key features					
smartFinish	■	■	■	■	■
Detergent Scan	■	■	■	-	-
Mini Load	■	■	■	-	-
Home Connect	■	■	■	-	-
i-Dos intelligent dosing system	■	■	■	-	-
powerSpeed 59'	■	-	-	-	-
varioSpeed	■	■	■	-	-
Reload function	■	■	■	■	■
iQDrive®	■	■	■	■	■
antiVibration design	■	■	■	■	■
Consumption indicator	via APP	via APP	via APP	-	-
stainRemoval System	■	■	■	■	■
Added Steam	■	■	■	-	-
Additional features					
Variable temperature / Variable spin	■ / ■	■ / ■	■ / ■	■ / ■	■ / ■
Drum interior light	■	■	■	■	■
Display	LED	LED	LED	LED	LED
Control panel lock	■	■	■	■	■
Delay start by (hours)	24	24	24	24	24
Drum Clean programme	via APP	via APP	via APP	■	■
Water protection system	AquaStop	AquaStop	AquaStop	AquaStop	AquaStop
Standard programmes					
Eco 40-60	■	■	■	■	■
Cottons / Cottons Colour	■ / -	■ / -	■ / -	■ / -	■ / -
Easy Care / Mixed	■ / ■	■ / ■	■ / ■	■ / ■	■ / ■
Delicate/Silk / Wool	■ / ■	■ / ■	■ / ■	■ / ■	■ / ■
Additional programmes / Functions					
Auto programme	■	■	■	-	-
Hygiene	via APP	■	■	■	■
Rapid 15' / Rapid 30'	■ / ■	■ / ■	■ / ■	■ / ■	■ / -
Shirts	via APP	■	■	■	■
Outdoor / Outdoor (waterproofing)	- / ■	- / ■	- / ■	■ / -	■ / -
Dark Wash/Easy Care Plus	via APP	via APP	via APP	via APP	via APP
Lingerie / Towels	- / -	- / -	- / -	- / -	- / -
Curtaains / Duvet	- / -	- / -	- / -	- / -	- / -
Rinse / Spin / Drain	■ / ■ / -	■ / ■ / ■	■ / ■ / ■	■ / ■ / ■	■ / ■ / ■
SpiniDrain	■	■	■	■	■
Prewash	■	■	■	■	■
Extra Rinse / Rinse hold	- / ■	- / ■	- / ■	■ / ■	■ / ■
Water Plus	■	-	-	■	■
Reduced ironing / Reduced noise	- / -	- / -	- / -	■ / -	■ / -
Memory programmes	■	-	-	-	-
Performance					
Energy efficiency class ¹	A -20%	A -20%	A -20%	A	A
Load capacity (kg)	1 - 11	1 - 10	1 - 10	1 - 10	1 - 9
Energy ² / Water ³ (kWh / litres)	42 / 44	40 / 48	40 / 48	51 / 52	49 / 50
Programme duration* (h:mm)	03:59	03:55	03:55	3:50	3:40
Maximum spin speed (rpm) ³	1600	1600	1600	1600	1600
Spin efficiency class	A	A	A	A	A
Noise level (dB [A] re 1pW)	72	74	74	74	74
Noise emission class	A	B	B	B	B
Duration of Quick Wash programme (minutes)	15/30	15/30	15/30	15/30	15/30
Technical information					
Dimensions: H x W x D (inc. door porthole) (mm)	845 x 598 x 590 (638)	845 x 598 x 590 (630)	845 x 598 x 590 (630)	845 x 598 x 590 (636)	845 x 598 x 590 (636)
Door opening angle	188°	165°	165°	165°	165°
Depth with door open 90° (mm)	1090	1074	1074	1073	1073
Height adjustable by (mm)	12	12	12	12	12
Length of supply / drain hose (mm)	1500 / 1500	1500 / 1500	1500 / 1500	1500 / 1500	1500 / 1500
Length of mains cable (mm)	2100	1500	1500	2100	2100
Door hinge	Left-hand	Left-hand	Left-hand	Left-hand	Left-hand
Drum type	waveDrum	waveDrum	waveDrum	waveDrum	waveDrum
Drum volume (litres)	70	70	70	70	70

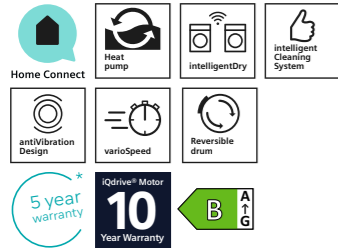
■ Yes, model has this feature. - Feature not available for this model.
¹ On an energy-efficiency class scale from A to G. ² Energy consumption in kWh/100 operating cycles (using Eco 40-60 programme). ³ Water consumption in litres/operating cycle (using Eco 40-60 programme). * Duration of Eco 40-60 programme. ⁴ The specified value is rounded.
 Data valid in this table as of April 2026. Subject to modification without prior notice.
 *5 year warranty - Offer dates: 01.04.26 – 31.03.27. T&C's apply. Online registration required.

Tumble dryers



iQ500 WQ46H2D9IE

Freestanding tumble dryer
White



Freestanding tumble dryer specifications

Appliance type	Freestanding tumble dryer
Design family	iQ500
Model number	WQ46H2D9IE
Colour	White
Key features	
Home Connect	■
Heat pump	■
intelligentDry	■
selfCleaning condenser	■
antiVibration design	■
varioSpeed / varioSpeed Plus	■ / -
Additional features	
Sensor drying	■
Display	LED
Anti-crease cycle (mins)	120
Time delay/Time Remaining	■
Drum interior light	■
Water container full / Blocked filter warning indicator	■ / ■
Control panel lock	■
Programmes / Functions	
Cotton / Cottons Eco	■ / ■
Easy Care	■
Mixed Fabrics	■
Allergy Plus/Hygiene	■
Lingerie	■
Wool Finish / Wool in drying basket (model includes drying basket)	■ / ■
Towels	■
Rapid 40 min	■
Shirts	■
Bed Linen (Reverse Drum Action)	■
Duvet / Pillows	- / -
Outdoor	■
Timed programme Cold / Warm	- / ■
Memory programme	■
Performance	
Energy efficiency class	B
Capacity cotton (kg)	9
Condensation efficiency class	A
Condensation efficiency for standard cotton programme – Full and partial load	90%
Noise level (dB [A] re 1pW)	59
Technical information	
Dimensions: H x W x D (inc. door porthole) (mm)	842 x 598 x 613 (648)
Door opening angle	165°
Depth with door open 90° (mm)	1096
Height adjustable by (mm)	15
Length of mains cable (mm)	1800
Door hinge	Right-hand
Can be used with drain set / Drain set included	■ / ■
Compressor Type	Twin Rotary
Cycle time Cotton, Full Load (Label) (min / cycle)	265 min
Drum volume (litres)	112
Optional accessories for tumble dryers	
Compatible stacking kit – standard / pull-out shelf	WZ27500 / WZ27510

■ Yes, model has this feature. – Feature not available for this model.

The programme cotton cupboard dry used at full and partial loads is the standard drying programme to which the information on the energy label refers. This is the most efficient programme in terms of energy consumption for cotton. Annual consumption is based on 160 drying cycles.

Data valid in this table as of April 2026. Subject to modification without prior notice.
*5 year warranty - Offer dates: 01.04.26 – 31.03.27. T&C's apply. Online registration required.



Freestanding tumble dryer specifications

Appliance type	Freestanding tumble dryer
Design family	iQ500
Model number	WQ45G200GB
Colour	White
Key features	
Home Connect	-
Heat pump	■
intelligentDry	-
selfCleaning condenser	■
antiVibration design	■
varioSpeed / varioSpeed Plus	- / -
Additional features	
Sensor drying	■
Display	LED
Anti-crease cycle (mins)	120
Time delay/Time Remaining	■
Drum interior light	■
Water container full / Blocked filter warning indicator	■ / ■
Control panel lock	■
Programmes / Functions	
Cotton / Cottons Eco	■ / ■
Easy Care	■
Mixed Fabrics	■
Allergy Plus/Hygiene	■
Lingerie	■
Wool Finish / Wool in drying basket (model includes drying basket)	■ / ■
Towels	■
Rapid 40 min	■
Shirts	■
Bed Linen (Reverse Drum Action)	■
Duvet / Pillows	- / ■
Outdoor	■
Timed programme Cold / Warm	- / ■
Memory programme	■
Performance	
Energy efficiency class	C
Capacity cotton (kg)	9
Condensation efficiency class	B
Condensation efficiency for standard cotton programme – Full and partial load	88%
Noise level (dB [A] re 1pW)	61
Technical information	
Dimensions: H x W x D (inc. door porthole) (mm)	842 x 598 x 613 (648)
Door opening angle	170°
Depth with door open 90° (mm)	1096
Height adjustable by (mm)	15
Length of mains cable (mm)	1795
Door hinge	Right-hand
Can be used with drain set / Drain set included	■ / ■
Compressor Type	Speed
Cycle time Cotton, Full Load (Label) (min / cycle)	155 min
Drum volume (litres)	112
Optional accessories for tumble dryers	
Compatible stacking kit – standard / pull-out shelf	WZ27400 / WZ27410

■ Yes, model has this feature. – Feature not available for this model.

The programme cotton cupboard dry used at full and partial loads is the standard drying programme to which the information on the energy label refers. This is the most efficient programme in terms of energy consumption for cotton. Annual consumption is based on 160 drying cycles.

Data valid in this table as of April 2026. Subject to modification without prior notice.
*5 year warranty - Offer dates: 01.04.26 – 31.03.27. T&C's apply. Online registration required.

Washer dryers



Freestanding washer dryer specifications

Appliance type	Freestanding washer dryer
Design family	iQ700
Model number	WN54C2ATGB
Colour	Silver
Key features	
i-Dos intelligent dosing system	■
Detergent scan	■
Home Connect	■
iQDrive®	■
varioSpeed	■
Reload facility	■
autoDry function	■
selfCleaning Condenser	■
Additional features	
Time delay/Time remaining	■
Control panel lock	■
Water protection system	AquaStop
Programmes	
smartFinish	■
Hygiene	■
rapid15'	■
Wash & Dry 60 mins	Wash & Dry 45'
Cottons	■
Easy-care programme	■
Wool programme	■
Delicates/Silk	■
Intensive Dry	-
Gentle Dry	-
myTime Wash & Dry	■
myTime Dry	■
Rinse	■
Spin/Drain	■
Memory	■
Drum Clean	■
Outdoor (Waterproofing)	■
Shirts	■
Mixed Fabrics	■
Reduced noise wash/dry	-
Reduced Ironing	■
Extra Rinse	-
Water level increase option	-
Pre wash	■
Variable Temperature/Spin	■
Performance/technical information	
Energy efficiency class washing and drying ¹	D
Energy efficiency class washing ²	A
Energy ³ / Water ⁴ washing and drying (kWh / litres)	305 / 75
Energy ⁵ / Water ⁶ washing (kWh / litres)	52 / 50
Load capacity washing and drying / washing (kg)	1-6 / 1-10.5
Programme duration ⁷ washing and drying / washing (h:mm)	8:20 / 4:00
Spin efficiency class	B
Spin speed ⁸ (rpm)	1400
Noise level (dB [A] re 1pW)	70
Noise emission class	A
Dimensions: H x W x D (inc. door porthole) (mm)	848 x 598 x 622 (645)
Door opening angle	125°
Depth with door open 90° (mm)	1142
Height adjustable by (mm)	12
Length of supply / drain hose (mm)	1500 / 1500
Length of mains cable (mm)	2100
Door hinge	Left-hand
Drum type	waveDrum
Drum volume (litres)	65

■ Yes, model has this feature. – Feature not available for this model.
¹ On an energy-efficiency class scale from A to G.
² Energy consumption in kWh/100 complete operating cycles (using Eco 40-60 programme).
³ Energy consumption in kWh/100 complete operating cycles (using Eco 40-60 programme).
⁴ Water consumption in litres/complete operating cycle (using Eco 40-60 programme).
⁵ Energy consumption in kWh/100 wash cycles (using Eco 40-60 programme).
⁶ Water consumption in litres/wash cycle (using Eco 40-60 programme).
⁷ Duration of Eco 40-60 programme, complete operating cycle / wash cycle.
⁸ The specified value is rounded.

Data valid in this table as of April 2026. Subject to modification without prior notice.
 *5 year warranty - Offer dates: 01.04.26 – 31.03.27. T&C's apply. Online registration required.



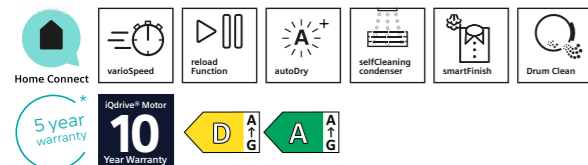
Freestanding washer dryer specifications

Appliance type	Freestanding washer dryer
Design family	iQ500
Model number	WN54G1A1GB
Colour	White
Key features	
i-Dos intelligent dosing system	■
Detergent scan	-
Home Connect	-
iQDrive®	■
varioSpeed	■
Reload facility	■
autoDry function	■
selfCleaning Condenser	■
Additional features	
Time delay/Time remaining	■
Control panel lock	■
Water protection system	Multiple water protection
Programmes	
smartFinish	■
Hygiene	-
rapid15'	■
Wash & Dry 60 mins	■
Cottons	■
Easy-care programme	■
Wool programme	■
Delicates/Silk	■
Intensive Dry	■
Gentle Dry	■
myTime Wash & Dry	-
myTime Dry	-
Rinse	■
Spin/Drain	■
Memory	-
Drum Clean	-
Outdoor (Waterproofing)	■
Shirts	-
Mixed Fabrics	■
Reduced noise wash/dry	-
Reduced Ironing	■
Extra Rinse	-
Water level increase option	-
Pre wash	■
Variable Temperature/Spin	■
Performance/technical information	
Energy efficiency class washing and drying ¹	D
Energy efficiency class washing ²	A
Energy ³ / Water ⁴ washing and drying (kWh / litres)	306 / 82
Energy ⁵ / Water ⁶ washing (kWh / litres)	51 / 52
Load capacity washing and drying / washing (kg)	1-6 / 1-10.5
Programme duration ⁷ washing and drying / washing (h:mm)	8:40 / 3:59
Spin efficiency class	B
Spin speed ⁸ (rpm)	1400
Noise level (dB [A] re 1pW)	70
Noise emission class	A
Dimensions: H x W x D (inc. door porthole) (mm)	848 x 598 x 590 (635)
Door opening angle	165°
Depth with door open 90° (mm)	1072
Height adjustable by (mm)	12
Length of supply / drain hose (mm)	1500 / 1500
Length of mains cable (mm)	2100
Door hinge	Left-hand
Drum type	waveDrum
Drum volume (litres)	65

■ Yes, model has this feature. – Feature not available for this model.
¹ On an energy-efficiency class scale from A to G.
² Energy consumption in kWh/100 complete operating cycles (using Eco 40-60 programme).
³ Energy consumption in kWh/100 complete operating cycles (using Eco 40-60 programme).
⁴ Water consumption in litres/complete operating cycle (using Eco 40-60 programme).
⁵ Energy consumption in kWh/100 wash cycles (using Eco 40-60 programme).
⁶ Water consumption in litres/wash cycle (using Eco 40-60 programme).
⁷ Duration of Eco 40-60 programme, complete operating cycle / wash cycle.
⁸ The specified value is rounded.

Data valid in this table as of April 2026. Subject to modification without prior notice.
 *5 year warranty - Offer dates: 01.04.26 – 31.03.27. T&C's apply. Online registration required.

iQ700 WN54C2ATGB Freestanding washer dryer Silver 1400rpm spin speed



Models shown on front left to right:

KF96DPXEA multi-door fridge freezer, **HM778GMB1B** oven with microwave function,
CT718L1B0 coffee centre, **LD98WMM60B** glassDraft Air with **EX975LVV1E** flexInduction hob,
WG66B2A1GB washing machine, **WR47B2C9GB** tumble dryer.

Siemens, a division of BSH Home Appliances Ltd,
Grand Union House,
Old Wolverton Road, Wolverton,
Milton Keynes, MK12 5PT
Tel: 0344 892 9040

siemens-home.bsh-group.com/uk

Showroom
Siemens London,
Home of studioLine,
14 Wigmore Street,
London, W1U 2RE
Tel: 0330 134 3100
Email: SiemensLondon@Siemens-Home.BSH-Group.com

BSH Home Appliances Ltd,
M50 Business Park,
Ballymount,
Dublin 12
Tel: 1890 626041

siemens-home.bsh-group.com/ie

Disclaimer

This brochure is current as from the publication date and supersedes all previous brochures for these products. Whilst BSH Home Appliances Ltd believes that all information contained within this brochure is correct at the time of going to print, no representation or warranty, express or implied, is or will be made and no responsibility or liability is or will be accepted by BSH Home Appliances Ltd in relation to the accuracy or completeness of this information and any liability is expressly disclaimed. To the extent permitted by law, BSH Home Appliances Ltd expressly excludes: i) all conditions, warranties and other terms which might otherwise be implied by statute, common law or the law of equity and ii) any liability for any direct, indirect or consequential loss or damage (including, without limitation, damages for loss of business or loss of profits) arising in contract, tort or otherwise from the use of or reliance on any information contained within this brochure or from any action or decision taken as a result of such use or reliance. BSH Home Appliances Ltd reserves the right to modify technical data and all other information contained within this brochure without notice. All rights reserved.

No part of this publication may be reproduced in any form or without the prior written permission of BSH Home Appliances Ltd.

This brochure should not be regarded as an infallible guide nor as an offer of sale for a particular product.

Due to variables in the reproduction process, colours of actual products may vary slightly from those depicted. We recommend a visit to a Siemens dealer to confirm that specifications and colours are to your satisfaction.

Valid from April 2026
SIEMBIFS2026

SIEMENS

Siemens Home Appliances