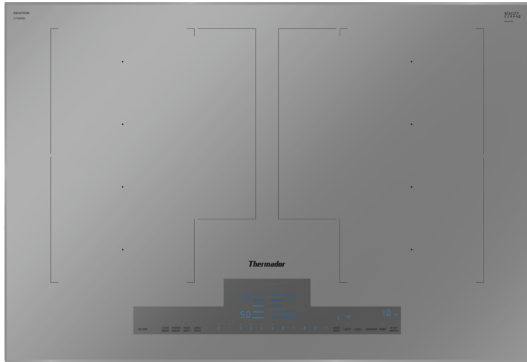


CIT30FBG

30-INCH LIBERTY® INDUCTION COOKTOP

MASTERPIECE® COLLECTION, TITANIUM GRAY GLASS, FRAMELESS



FEATURES & BENEFITS

- ★ - The Liberty® cooktop comes with two large flexible cooking zones and FlexPlus* heating elements that provide the ultimate in cooking performance
- ★ - HeatShift® feature has three preset heat zones that allows you to change the power level by simply moving the pot across the cooking zone
- ★ - MoveMode® allows easy transfer of settings without having to reset power levels when moving a pot across the cooktop
- ★ - CookSmart® with 5 pre-set temperature levels to effortlessly pan fry a wide range of foods
- Connected Experience powered by Home Connect® —easily monitor and view the status of your cooktop from the app, and get remote diagnostics when you need help

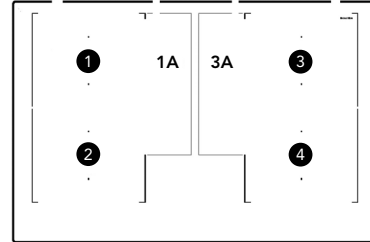
TECHNICAL DETAILS

Watts (W)	6,240 / 7,200 W
Circuit Breaker (A)	30 A
Volts (V)	208 / 240 V
Frequency (Hz)	60 Hz
Plug Type	No Plug
Conduit	37" Flexible 3-Wire
Energy Source	Electric

GENERAL PROPERTIES

Controls	Touch Controls
Home Connect® (Wi-Fi Enabled)	Yes

ELEMENT PERFORMANCE



Controls	Touch Controls
Number of Inductor Elements	4
1 – Power of Back Left Heating Element	2,200 W / 3,600 W (In Boost)
2 – Power of Front Left Heating Element	2,200 W / 3,600 W (In Boost)
3 – Power of Back Right Heating Element	2,200 W / 3,600 W (In Boost)
4 – Power of Front Right Heating Element	2,200 W / 3,600 W (In Boost)
Power of Left Area + 1A FlexPlus™ Left Heating Element	3,300 W / 3,600 W (In Boost)
Power of Right Area + 3A FlexPlus™ Right Heating Element	3,300 W / 3,600 W (In Boost)

ELEMENT SIZE

Dimension of Back Left Heating Element	8 1/2" x 7 1/2"
Dimension of Front Left Heating Element	8 1/2" x 7 1/2"
Dimension of Back Right Heating Element	8 1/2" x 7 1/2"
Dimension of Front Right Heating Element	8 1/2" x 7 1/2"
Dimension of FlexPlus™ Left Heating Element	3 9/16" x 11 1/4"
Dimension of FlexPlus™ Right Heating Element	3 9/16" x 11 1/4"

DIMENSIONS & WEIGHT

Overall Appliance Dimensions (HxWxD) (in)	3 7/8" + 3 7/8" x 31" x 21 1/4"
Required Cutout Size (HxWxD) (in)	3 7/8" x 28 3/4" x 19 7/8"
Minimum Distance From Counter Front (in)	2 1/4"
Minimum Distance From Rear Wall (in)	2"
Net Weight (lbs)	39 lbs

WARRANTY

Limited Warranty, Entire Appliance, Parts and Labor	2 Year
---	--------

*FlexPlus™ heating element can be activated only in combination with the adjacent left or right heating element.

†To be fully ADA compliant, these units must be installed according to ADA guidelines. Please check current ADA requirements for guidance on installation.

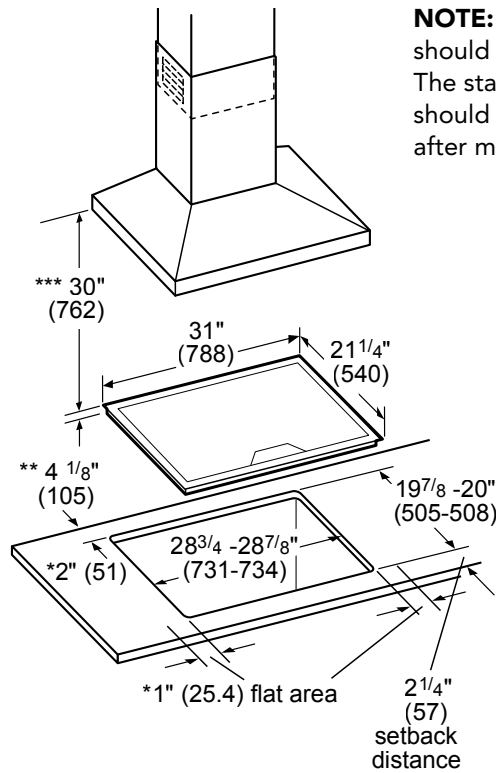
CIT30FBG

30-INCH LIBERTY® INDUCTION COOKTOP

MASTERPIECE® COLLECTION, TITANIUM GRAY GLASS, FRAMELESS



30-INCH COOKTOP AND CUTOUT DIMENSIONS

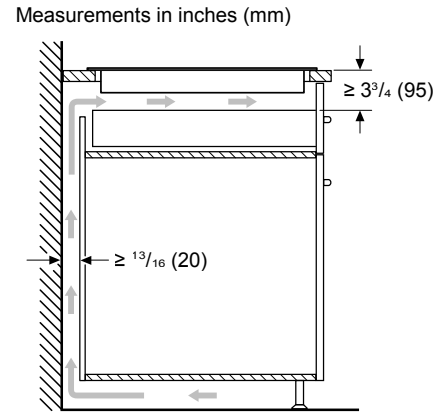


NOTE: The work surface should be horizontal and level. The stability of the countertop should be confirmed even after making the cutout.

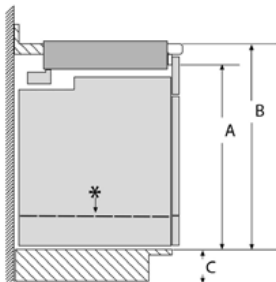
- * Minimum distance from cutout to the wall
- ** Installed depth includes 1" (26 mm) needed air gap
- *** Minimum distance between the cooktop surface and lower edge of exhaust hood

measurements in inches (mm in brackets)

VENTILATION CLEARANCE REQUIREMENTS



INSTALLATION ABOVE A THERMADOR WALL OVEN



Product Type	A Inches (mm)	B min. Inches (mm)	C max. Inches (mm)
Conventional Oven	28 1/4 (718)	31 1/4 (794) min.	4 3/4 (121)
Steam Oven	25 1/16 (636)	28 1/16 (713)	7 15/16 (202)
Steam Oven with 4" Storage Drawer*	28 1/4 (718)	31 1/4 (794) min.	4 3/4 (121)
Microwave / Speed Oven	19 1/4 (488)	24 (609) min.	12" (306)
Microwave / Speed Oven with Warming drawer*	28 1/4 (718)	31 1/4 (794) min.	4 3/4 (121)

When installing an oven or oven with a drawer in combination with a cooktop, a minimum distance between the cabinet floor and countertop (B) is required. Reference the table for dimensions. Refer to the oven installation guide for all other measurements.

These warranties give you specific legal rights and you may have other rights that vary from state to state. Limited warranty from date of delivery. For complete warranty details, refer to your Use & Care manual, or ask your dealer.

Specifications are for planning purposes only. Refer to installation instructions and consult your countertop supplier prior to making counter opening. Consult with a heating and ventilation engineer for your specific ventilation requirements. For the most detailed information, refer to installation instructions accompanying product or write to Thermador indicating the model number. Specifications are correct at time of printing. Thermador reserves the right to change product specifications or design without notice. Some models are certified for use in Canada. Thermador is not responsible for products that are transported from the U.S. for use in Canada.