

T36FL810NS

36-INCH STAINLESS STEEL FREESTANDING FRENCH DOOR BOTTOM FREEZER

MASTERPIECE® COLLECTION HANDLES



Also Available In:
T36FL821NS – Professional Collection Handles

FEATURES & BENEFITS

- Best in class lighting: see everything with a fully illuminated back panel and adjustable theater lighting
- Dual evaporators / dual compressors
- Internal ice and water provides easy access with a clean exterior
- ThermaFresh® system, humidity and temperature controlled drawer

STYLE

| | |
|--------------------|-----------------------|
| Door Style | Stainless Steel Panel |
| Handle Style | Masterpiece® |
| Interior Finish | Stainless Steel |
| Door Configuration | 4-door |

INNOVATION

| | |
|--|-----|
| Wi-Fi-Enabled for Control with Home Connect® App | Yes |
| Remote Monitoring and Control | Yes |
| iService Remote | Yes |
| Camera in the Appliance | No |

PERFORMANCE

| | |
|----------------------|-----|
| ThermaFresh® System | Yes |
| Dual Compressor | Yes |
| Dual Evaporators | Yes |
| Automatic Defrosting | Yes |

Modes

Eco, Sabbath, Vacation, Demo, SuperCool, SuperFreeze®

| | |
|----------------------------|-----|
| Internal Water Dispenser | Yes |
| Water Filter (6 Months) | Yes |
| Air Fresh Filter | Yes |
| Ethylene Filter (6 Months) | Yes |

CAPACITY AND STORAGE

| | |
|--|--------|
| Total Capacity (cu. ft.) | 20.4 |
| Refrigerator Capacity (cu. ft.) | 14.4 |
| Freezer Capacity (cu. ft.) | 6 |
| Tiered Freezer Storage Drawer | 3 Tier |
| ThermaFresh® Temperature & Humidity Managed Drawer | 1 |

ThermaFresh® Drawer Modes (° F/Humidity)

Meat/Fish (29° F/Low), Fruit (32° F/Low), Vegetables (32° F/High), Beverages (34° F/Low), Snacks/Misc. (40° F/Low)

| | |
|--------------------|-----------------------|
| Storage Shelves | 4 Adjustable, 1 Fixed |
| Shelf Material | Glass w/Metal Profile |
| Standard Door Bins | 3 Adjustable |
| Gallon Door Bins | 2 Adjustable |
| Dairy Door Bins | 1 Adjustable |

GENERAL FEATURES

| | |
|--|---|
| Full 72" Height and True Counter-Depth for Built-In Appearance | Yes |
| Internal Control Panel | Yes |
| Water Tank Capacity (oz.) | 30.4 |
| Water Filter Replacement Indicator | Yes |
| Ice Maker with Diamond Ice System | Yes |
| Ice Production (24 Hrs.), Diamond Ice (lbs.) | 3.5 |
| Ice On / Off | Yes |
| Ice Storage Capacity (lbs.) | 8.8 |
| Lighting | LED Recessed Side Light Bars & Fully Illuminated Back Panel |
| Independent Cooling Systems | 2 |
| Door Alarm | Yes |
| Cooling System | Multi-Air-Flow |
| Maximum Sound Level | 40 dBA |

T36FL810NS

36-INCH STAINLESS STEEL FREESTANDING FRENCH DOOR BOTTOM FREEZER

MASTERPIECE® COLLECTION HANDLES



GENERAL FEATURES (CONTINUED)

| | |
|----------------------------|---------|
| ENERGY STAR® Certified | Yes |
| Annual Energy Consumption* | 568 kWh |

OPERATING TEMPERATURE

| |
|---|
| Refrigerator: 33°F (1°C) to 43°F (6°C) |
| Freezer: -7°F (-22°C) to 6°F (-14°C) |
| ThermaFresh® Drawer: 29°F (-2°C) to 40°F (4°C) 5 Preset Modes |
| SuperCool: 36°F (2°C) for 6 Hours |
| SuperFreeze®: -22°F (-30°C) for 8 hours |

INSTALLATION FEATURES

| | |
|---|-----|
| Four Point Front Adjustable with 4 Wheels | Yes |
| Front Serviceable | Yes |

TECHNICAL SPECS

| | |
|----------------------------|--------------------------|
| Required Power Supply | 110-127 V, 60 Hz, 15 Amp |
| Plug Type | 120V-3-Prong |
| Power Cord Length (Inches) | 67" |

DIMENSIONS AND WEIGHT

| | |
|--|-----------------|
| Overall Width (Inches) | 35 5/8" |
| Overall Height (Inches) | 72" |
| Overall Depth (Inches) | 31 1/8" |
| Overall Depth Without Hinges and Doors (Inches) | 24" |
| Overall Depth With Hinges and Doors, No Handles (inches) | 28 3/4" |
| Required Cutout Size (HxWxD) (Inches) | 72" x 36" x 25" |
| Net Weight (Approx.) (lbs.) | 348 |
| Gross Weight (Approx.) (lbs.) | 375 |

*Estimated annual energy consumption. Exact usage may vary.

OPTIONAL ACCESSORIES

| | |
|--|------------|
| Replacement Water Filter | REPLFLTR55 |
| Ethylene Filter Refill (Part No.) | 17005225 |
| Ethylene Filter Starter Kit (Part No.) | 17005228 |
| Replacement Carbon Air Filter (Part No.) | 10009874 |
| 90 Degree Door Stopper | 10012733 |

WARRANTY

| | |
|---------------------------------|---------|
| Limited Warranty, Parts & Labor | 2 Years |
|---------------------------------|---------|

SUPPLEMENTAL MATERIAL

| | |
|---------------------------------|--|
| CAD File | Click Here to Download |
| Installation Manual | Click Here to Download |
| Use & Care Guide | Click Here to Download |
| Warranty | Click Here to Download |
| Energy Guide | Click Here to Download |
| Home Connect® Quick Start Guide | Click Here to Download |

T36FL810NS

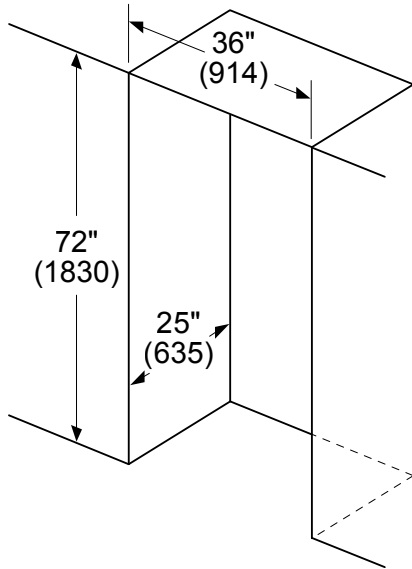
36-INCH STAINLESS STEEL FREESTANDING FRENCH DOOR BOTTOM FREEZER

MASTERPIECE® COLLECTION HANDLES



CUTOUT DIMENSIONS

Measurements in inches (mm)

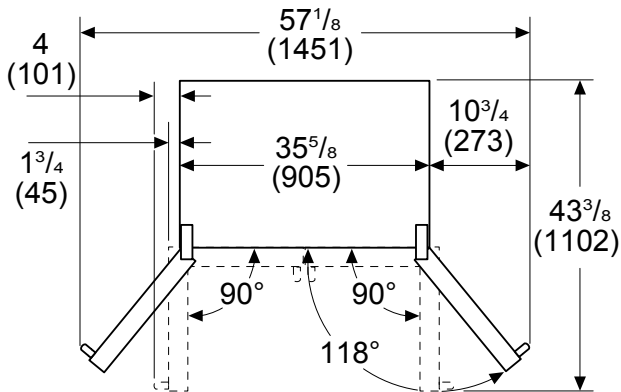


Leave ½" (12.7) gap at the top and 1" (25.4) behind the refrigerator for proper ventilation.

It is recommended that you do not install the refrigerator near a heat source such as a stove or a range.

TOP VIEW CLEARANCE

Measurements in inches (mm)



Drawers can be pulled out with door open to 90°
 Drawers can be taken out with door completely opened

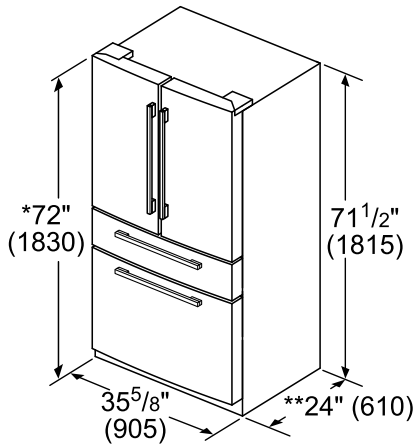
T36FL810NS

36-INCH STAINLESS STEEL FREESTANDING FRENCH DOOR BOTTOM FREEZER

MASTERPIECE® COLLECTION HANDLES

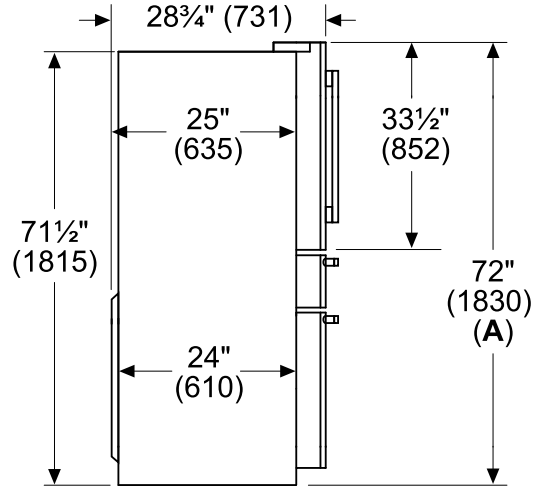


PRODUCT DIMENSIONS



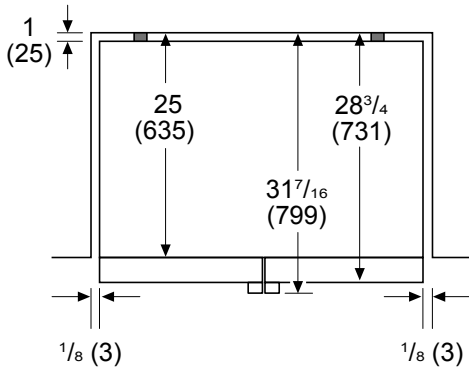
*Add $\frac{5}{8}$ " (17) with front leveling feet fully extended
 **Add 1" (25) for fixed spacers on back measurements in inches (mm)

Measurements in inches (mm)



A: Add $\frac{5}{8}$ " (17) with front leveling feet fully extended

Measurements in inches (mm)



ACCESSORIES (OPTIONAL)



REPLFLTR55
Replacement Water Filter



17005228
Ethylene Filter Starter Kit



17005225
Ethylene Filter Refill



10012733
90 Degree Door Stopper



10009874
Replacement Carbon Air Filter