

Planning Information

DISHWASHERS

Model Options

All collections are available with a Masterpiece® or Professional Handle to perfectly match other Thermador appliances in your kitchen, or a custom panel option to fully integrate with your cabinetry. Be sure to reference the correct model information in this design guide.

Installation Options

Custom Door Panels

Thermador custom panel dishwashers can be installed fully flushed for a seamless, integrated look.

Fully integrated models allow you to have a custom door panel made to match your cabinetry. The custom door can be a two-piece configuration to look like a drawer at the top and a cabinet door at the bottom or like a single full-length door. A template is included with the fully integrated models to explain the mounting procedure.

NOTE: These dishwashers can accept custom door panel weights ranging from 7 to 24 lbs.; however, the dishwasher comes from the factory ready for custom panel door weights from 11 to 18 lbs. If you plan on using a door panel that is not 11 to 18 lbs., please contact customer service at (800) 944-2904.

Installation Considerations

The information in this design guide provides key features, product dimensions, cutouts and installation specifications. Before installing a Thermador Dishwasher, be sure to verify the cabinet dimensions, electrical connections and water connections. Installation instructions are subject to change. Always consult with the installation manual included with the product for complete details prior to the installation.

Thermador Dishwashers are designed to be enclosed on the top and both sides by standard residential kitchen cabinetry.

If the dishwasher is to be installed in a corner, make sure that there is adequate clearance to open the door.

Hot Water Supply

The hot water heater should be set to deliver approximately 120° F (49° C) water to the dishwasher. Water that is too hot can cause some detergents to lose effectiveness. Lower water temperatures will increase run times. The hot water supply pressure must be between 15–145 psi (1–10 bar).



All Thermador Dishwashers are ENERGY STAR® Certified

Electrical Specifications

This appliance must be grounded to a metal, permanent wiring system, or an equipment grounding conductor must be run with the circuit conductors and connected to the equipment grounding terminal or lead on the dishwasher.

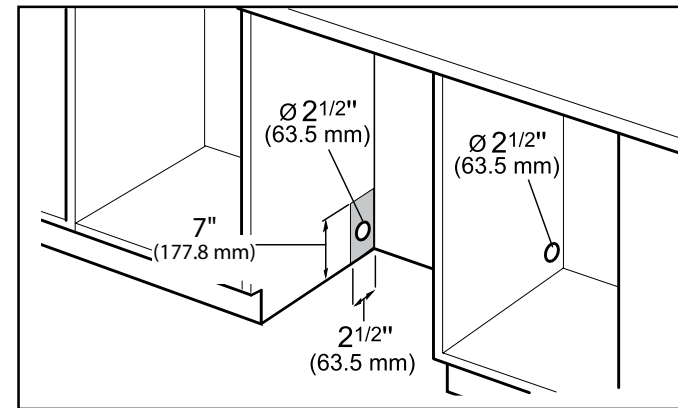
Model Required Circuit Breaker

Model	Required Circuit Breaker
All Dishwasher Models	120 V, 60 Hz, 12 A

Water and Electrical Locations

For proper dishwasher operation and appearance, ensure that the enclosure is square and has the dimensions shown in the cutout drawings on the following page. Select a location as close to the sink as possible for easy access to water supply and drain lines.

Make required openings to allow for passage of the water, drain and electrical line. In order to avoid interference with the dishwasher when sliding it into the cabinet, the holes should be cut within the 7 x 2.5" area shown.

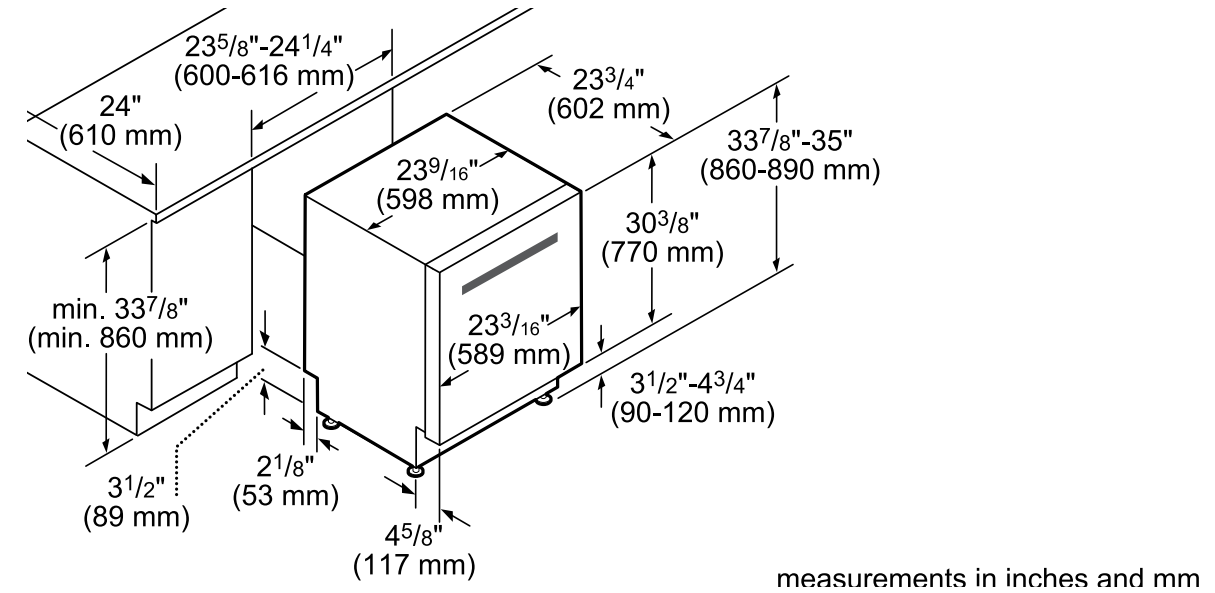


NOTE: Plumbing installations will vary — refer to local codes. The maximum length of the drain hose, including hose leading to air gap (if any) is 150" (380 cm). Ensure a portion of the drain hose is raised at least 33" (84 cm) above the floor to ensure proper draining.

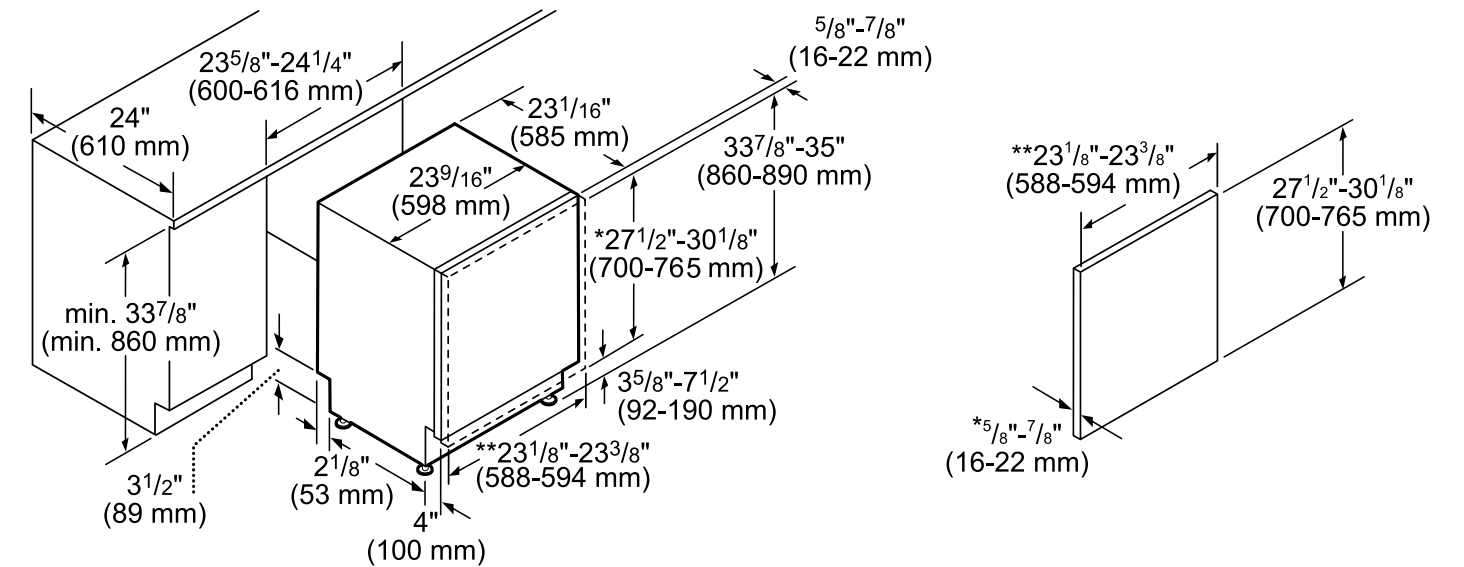
INSTALLATION

DISHWASHERS

Dishwasher & Cutout Dimensions – Professional and Masterpiece® Handle



Dishwasher & Cutout Dimensions – Custom Panel



* measured from the bottom edge of the countertop panel thickness recommended 3/4" (20 mm) panel weight 11–18 lb. (5–8 kg)

** 24" (610 mm) wide panel may be used depending on cabinet design

measurements in inches and mm