



SIEMENS

# 輕鬆煮食 Cooking

# 氣體煮食爐 (煤氣) Gas Cooktop (Towngas)

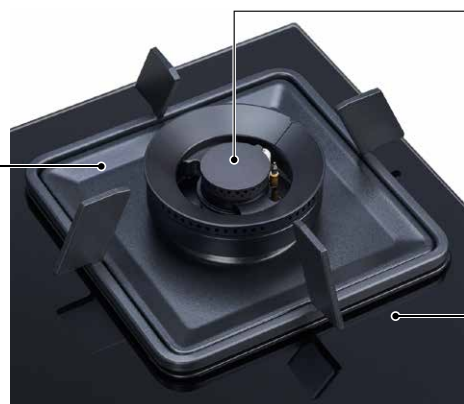


## 全密封式設計

避免食物及湯汁進入爐具內部

## Fully sealed design

Keep out of grease and food deposits



## 可拆卸爐頭部件

易拆易裝

## Removable burner parts

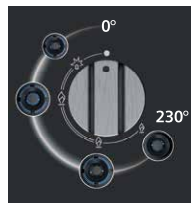
Easily dismantle and install

## 黑色強化玻璃面板

只需一抹，爐具即回復乾淨，輕鬆簡單。

## Black tempered glass panel

Cooktop remain sparkling clean by a simple wipe with a soft cloth.



## 火力高達5.5千瓦 • 提供您想要的烹調火候

左右爐頭各提供高達5.5千瓦火力，配合旋鈕230°精細調節範圍，內、外環火可獨立控制，火力收放自如。煎、炒、蒸、炸、炖、燉、煮，隨心掌控。

## Power up to 5.5kW • fulfill all your culinary needs

Control at your fingertips: With the 230° adjustment range of control knob, each burner provides power up to 5.5kW, with individual control of inner and outer flame. Cook whatever you want: Steaming, frying, poaching, simmering, stewing, etc.



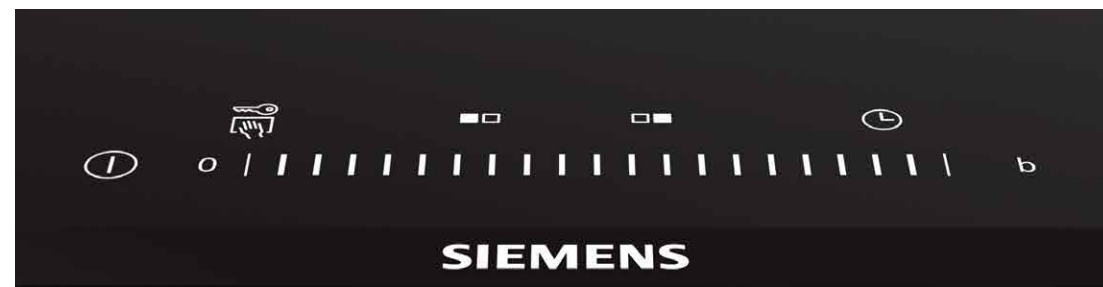
## 配備輔助小鍋架 • 烹飪無界限

隨機附送輔助小鍋架，可靈活配合直徑10-34厘米鍋具。由玉子燒平底鍋，咖啡壺，陶瓷鍋以至不銹鋼炒鑊，煮食不再受爐具限制，隨心所欲。

## With milk trivet accessory • Cook with no limits

Thanks to the milk trivet which come together with the hob, provides a wide range of cookware selection: 10cm - 34cm. From tamagoyaki pan, coffee pot, traditional ceramic pot, to frying pan, no limits on cookware selection.

# 電磁爐 Induction Cooktop



## 細節設計 • 盡顯匠心

電磁爐配上黑色陶瓷玻璃面板為您締造一個簡約而不凡的廚房。

時鐘配備計時及自動關機功能，加上廚具測試功能及2段餘溫顯示功能，令煮食更輕鬆。

## Crafted design • Every single detail

Induction cooktop comes with heat-resistant ceramic glass top, provides you a simple, yet elegantly kitchen.

Together with auto shut off timer, cookware test and 2-stage residual heat indicator, making cooking relaxing.

## 17段火力選擇 • 3.5千瓦火力

電磁爐配備17段火力，火力高達3.5千瓦\*，另設powerBoost功能可縮短加熱時間，適合各種中西式烹調方法，佳餚瞬間為您呈上。

## 17 power levels selection • 3.5kW Power

Induction cooktop is equipped with 17 different power levels, with power reach up to 3.5kW\*, together with powerBoost function, fulfilling all your culinary needs, provides delicious cuisine in no time.

\* 型號 Model: EH8P5262HK



## 兒童安全鎖 • 避免危險

透過兒童安全鎖按鈕，您可以快速、輕鬆地防止任何人在未經允許的情況下操作電磁爐。只需輕輕一按，控制面板就會鎖上，再次按住按鈕數秒即可解鎖。

## Hazards are eliminated • the child safe lock.

With the child safe lock button, you can quickly and easily protect each induction hob against unauthorised operation. The child safe lock blocks all the hob's functions at the touch of a button. Locking is cleared by pressing the button again and holding down for a few seconds.



## touchSlider控制面板 • 隨心滑動控制

西門子獨有touchSlider控制面板，透過智能傳感器調節火力(1至9段，每半段遞進)，只需輕輕觸碰或用手指輕輕滑動，便能控制煮食區的火力。

## touchSlider control • Moving with a single finger

Siemens unique touchSlider control allows you to control the temperature of the cooking zones either by directly tapping the operating scale or sliding your finger along it. Sensor-based heat regulation takes place in half levels up to the maximum setting of 9.

# 產品規格

## Specifications



輔助小鍋架  
Milk trivet



氣體煮食爐

ER7EA233HK

電磁爐

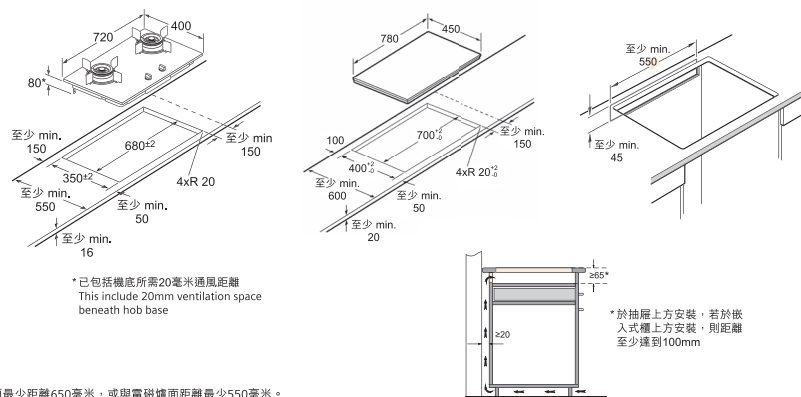
EH8P5262HK

電磁爐

EH8P5263HK

面板 Top Sheet	黑色強化玻璃 Black tempered glass	黑色陶瓷玻璃 Black ceramic glass	黑色陶瓷玻璃 Black ceramic glass
產品特點 Features	<ul style="list-style-type: none"> <li>• 煤氣設定 Preset Towngas</li> <li>• 高達5.5千瓦火力 Power up to 5.5kW</li> <li>• 可獨立控制內、外環火 Individual control of inner and outer flame</li> <li>• 安全燃火裝置 Safety flame device</li> <li>• 全密封設計 Fully sealed design</li> <li>• 1級香港能源效益 HK Energy Grade 1</li> </ul>	<ul style="list-style-type: none"> <li>• touchSlider控制面板，17段火力精準調控 17 power levels for precise control</li> <li>• 火力加強功能 powerBoost function</li> <li>• 計時及自動關機功能 Timer with cooking zone shut-off function</li> <li>• 廚具測試功能 Cookware test</li> <li>• 兒童安全鎖 Child safe lock</li> <li>• 2段餘溫顯示 2-stage residual heat indicator</li> <li>• 2級香港能源效益 HK Energy Grade 2</li> </ul>	
產品尺寸 Dimensions 高 x 闊 x 深 H x W x D - 毫米 mm / 吋 inch	140 (80*) x 720 x 400 / 5.5 (3.1*) x 28.3 x 15.7 *由爐架頂部至枱面 From pan support to cooktop	65 x 780 x 450 / 2.6 x 30.7 x 17.7	65 x 780 x 450 / 2.6 x 30.7 x 17.7
枱面開孔尺寸 Cut-out Dimensions 闊 x 深 W x D - 毫米 mm / 吋 inch	680 x 350 / 26.8 x 13.8	700 x 400 / 27.6 x 15.7	700 x 400 / 27.6 x 15.7
功率 Power - 千瓦 kW	11 • 左 Left: 5.5 • 右 Right: 5.5	3.5 • 左 (火力加強) Left (with booster): 1.8 (3.1) • 右 (火力加強) Right (with booster): 1.8 (3.1)	2.8 • 左 (火力加強) Left (with booster): 1.8 (2.8) • 右 (火力加強) Right (with booster): 1.8 (2.8)
供電接駁 Power supply	D型電池 1.5V Type D battery 1.5V	20A單相電接駁 Single phase connection	13A插頭接駁 GB plug
附送配件 Supplied Accessory	輔助小鍋架 Milk trivet	-	-
原產地 Country of Origin	中國 China	中國 China	中國 China

### 安裝圖 Installation Diagram



\* 請注意標準安裝距離：抽油煙機底部與氣體煮食爐頂最少距離650毫米，或與電磁爐面距離最少550毫米。  
Please observe standard installation distance: at least 650 mm between the bottom of cooker hood and the upper edge of gas cooktop or 550 mm from electric cooktop beneath.

尺寸以毫米為單位  
Measurements in mm

網址 Website: [www.siemens-home.bsh-group.com](http://www.siemens-home.bsh-group.com) 電郵 E-mail: [siemens.hk.showroom@bshg.com](mailto:siemens.hk.showroom@bshg.com)  
客戶服務專線 Customer Contact Hotline: 2565 6151 (香港 Hong Kong) / 0800 030 (澳門本地專用 Macau local call only)

型號及規格只供參考，如有改動恕不另行通知。

Model numbers and specifications are for reference only and subject to change without prior notice.

博西華家用電器有限公司保留更改以上產品功能資料之權利。產品實物之顏色可能與相片有輕微差異。®註冊商標。

Right of technical modification reserved, delivery subject to availability, colors of actual products may vary from illustrations. ®Registered trademark.

©2024 博西華家用電器有限公司。BSH集團是西門子股份公司的特許商標持有人。所有權利保留。本單張所載的全部內容及資料均屬博西華家用電器有限公司所有，且受版權保護。任何人士如未獲博西華家用電器有限公司事先給予書面許可，不得複製、轉載、發放或擅用本單張的任何內容或資料。香港印製 07. 2024

©2024 BSH Home Appliances Limited. BSH Group is a Trademark Licensee of Siemens AG. All rights reserved. All contents and information contained in this leaflet are proprietary to BSH Home Appliances Limited and are subjected to copyright protection. Reproduction, republication, redistribution or unauthorized use of any content or information contained in this leaflet is expressly prohibited without the prior written consent of BSH Home Appliances Limited. Printed in Hong Kong 07. 2024