

MD24BS

24-INCH MICRODRAWER® MICROWAVE

MASTERPIECE® & PROFESSIONAL COLLECTION



FEATURES & BENEFITS

- Easy touch to automatic “open” and “close” enables hands-free operations
- Concealed drop-down panel effortlessly opens to a convenient 60° angle for easy readability and operation
- Spacious and easy to clean enameled cavity with 1.2 cu. ft. interior fits a 20 oz. cup or a 13" x 9" pan
- Achieve a perfectly flush installation in any standard depth cabinetry
- Sensor Cooking is designed to effortlessly manage humidity levels, automatically adjusting cooking time and intensity for optimal results every time
- 10 versatile Microwave Programs, including melt, warm, and soften to accomplish culinary tasks of all sizes with ease

GENERAL PROPERTIES

Cavity Color	White
Microwave Power	950 W

CAPACITY

Cavity Capacity	1.2 cu. ft.
-----------------	-------------

TECHNICAL DETAILS

Watts	1,500 W
Circuit Breaker	15 A
Volts	120 V
Frequency	60 Hz
Plug Type	120V-3 Prong
Power Cord Length	48"

DIMENSIONS & WEIGHT

Overall Appliance Dimensions (HxWxD)	16 5/16" x 23 7/8" x 23 3/8"
Required Cutout Size (HxWxD) – Standard Install	15 9/16" x 22 1/8" x 23 1/2"
Required Cutout Size (HxWxD) – Flush Install	16 5/8" x 24 3/16" x 23 1/2"
Net Weight	74 lbs.

WARRANTY

Limited Warranty, Entire Appliance, Parts and Labor	2 Year
---	--------

†To be fully ADA compliant, these units must be installed according to ADA guidelines. Please check current ADA requirements for guidance on installation.

MD24BS

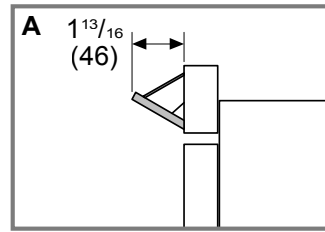
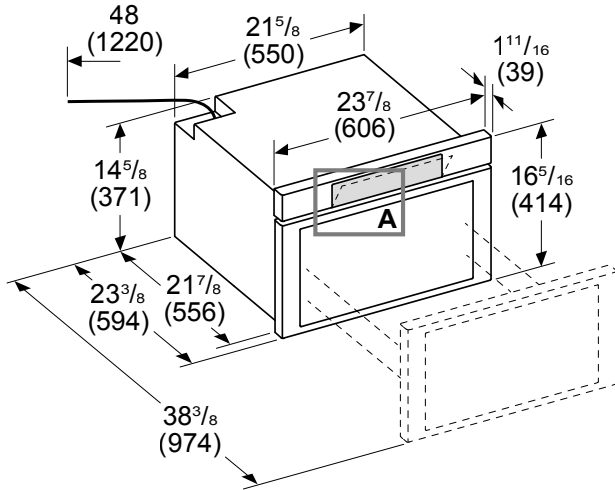
24-INCH MICRODRAWER® MICROWAVE

MASTERPIECE® & PROFESSIONAL COLLECTION



PRODUCT DIMENSIONS

Measurements in inches (mm)



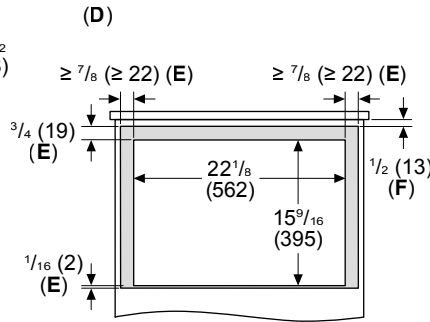
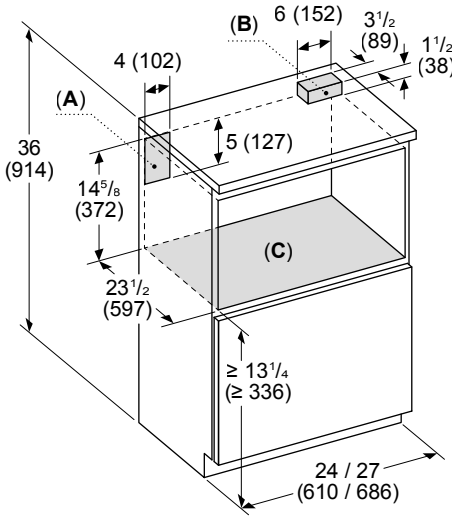
MD24BS

24-INCH MICRODRAWER® MICROWAVE

MASTERPIECE® & PROFESSIONAL COLLECTION



STANDARD INSTALLATION

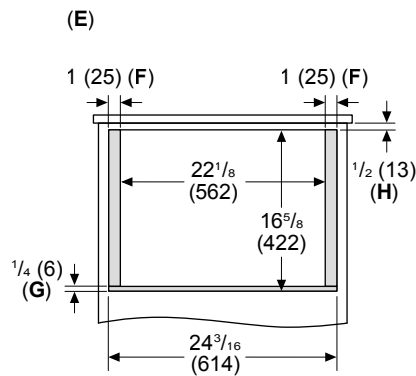
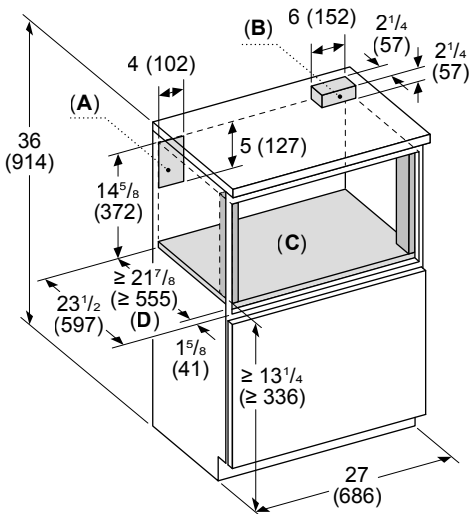


- A:** Recommended location of electrical outlet
- B:** Anti-tip block
- C:** Base should support up to 100 lb
- D:** Front view of cut-out
- E:** Overlap
- F:** Visible area

If under a counter, minimum clearance to counter top should be $\frac{7}{16}$ " (11 mm)

Measurements in inches (mm)

FLUSH INSTALLATION



- A:** Recommended location of electrical outlet
- B:** Anti-tip block
- C:** Base should support up to 100 lb
- D:** Base depth
- E:** Front view of cut-out
- F:** Sides should be finished and extend back to cleat

Cleats should also be finished, as they may be visible after installation

- G:** Base thickness
- H:** Visible area

If under a counter, minimum clearance to counter top should be $\frac{7}{16}$ " (11 mm)

Measurements in inches (mm)

These warranties give you specific legal rights and you may have other rights that vary from state to state. Limited warranty from date of delivery. For complete warranty details, refer to your Use & Care manual, or ask your dealer.

Specifications are for planning purposes only. Refer to installation instructions and consult your countertop supplier prior to making counter opening. Consult with a heating and ventilation engineer for your specific ventilation requirements. For the most detailed information, refer to installation instructions accompanying product or write to Thermador indicating the model number. Specifications are correct at time of printing. Thermador reserves the right to change product specifications or design without notice. Some models are certified for use in Canada. Thermador is not responsible for products that are transported from the U.S. for use in Canada.