

MBCS
BUILT-IN MICROWAVE
 MASTERPIECE® & PROFESSIONAL COLLECTION



GENERAL PROPERTIES

Cavity Color	White
Max. Microwave Power	1,000 W

CAPACITY

Cavity Capacity	2.1 cu. ft.
Turntable Diameter	16 1/2"

TECHNICAL DETAILS

Watts	1,500 W
Circuit Breaker	20 A
Volts	120 V
Frequency	60 Hz
Plug Type	120V-3 Prong
Power Cord Length	41 5/16"

DIMENSIONS & WEIGHT

Overall Appliance Dimensions (HxWxD)	13 5/8" x 24 3/8" x 19 11/16"
30" Trim Kit Required Cutout Size (HxWxD)	19 7/8" x 28 7/16" x 23"
Net Weight	43 lbs

ACCESSORIES (INCLUDED)

1 Ceramic Glass Tray, 1 Roller Ring

WARRANTY

Limited Warranty, Entire Appliance, Parts and Labor	2 Year
---	--------

FEATURES & BENEFITS

- Side-swing design combines sleek aesthetic and exceptional value
- 1,000 watts microwave power and 10 versatile Microwave Programs including melt, warm, and soften to accomplish culinary tasks of all sizes with ease
- Convenient automatic beverages reheat to adjust cooking level and time automatically
- Sensor Cooking accurately measure humidity, adjusting cooking level and time for perfect cooking results
- Designed to complement any Thermador wall oven, this built-in microwave is the ideal kitchen companion
- Built-in design with trim kit, must be purchased alongside the MBT30CS trim kit

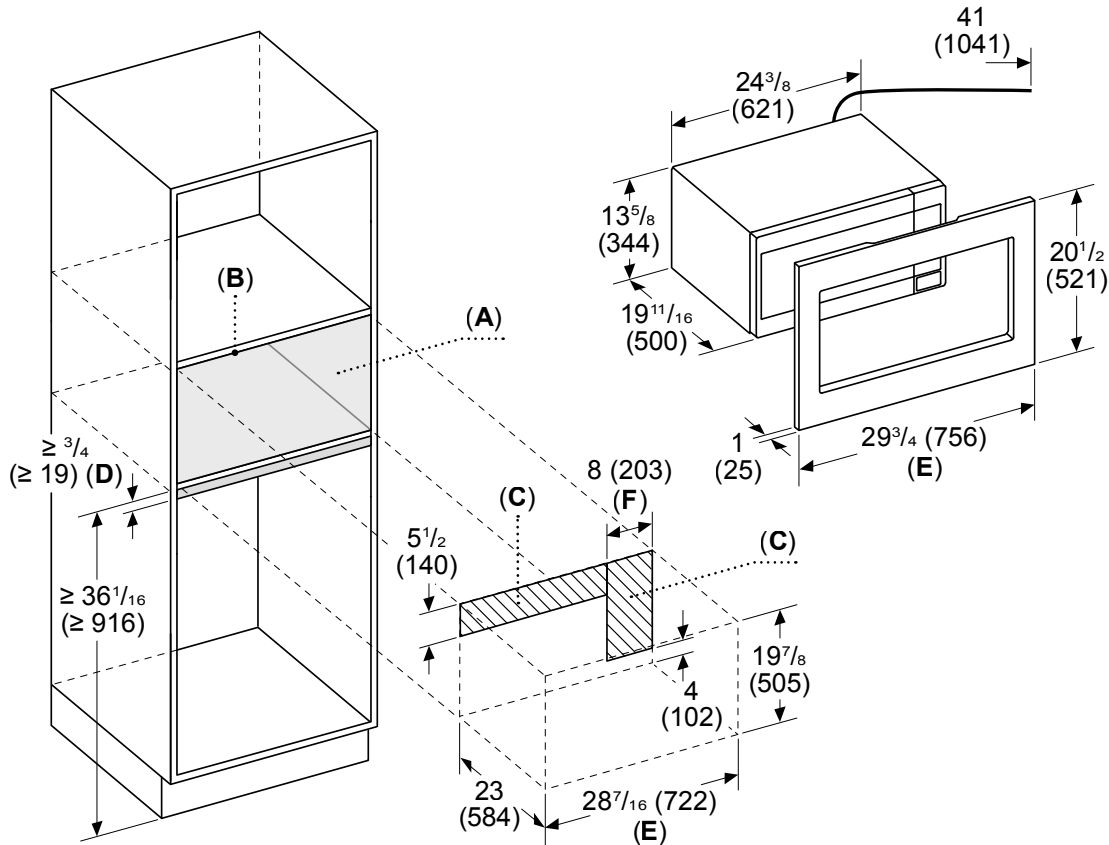
ACCESSORIES (MUST BE PURCHASED TOGETHER)



MBT30CS
 30-Inch Trim Kit. Must be purchased together with the microwave.

MICROWAVE OVEN AND CUTOUT DIMENSIONS

Measurements in inches (mm)



- A:** Microwave cut-out
- B:** Top of microwave shelf
- C:** Space for appliance connection
- D:** If an oven located below
- E:** For 30" (762 mm) trim kit
- F:** For 30" (762 mm) cut-out

These warranties give you specific legal rights and you may have other rights that vary from state to state. Limited warranty from date of delivery. For complete warranty details, refer to your Use & Care manual, or ask your dealer.

Specifications are for planning purposes only. Refer to installation instructions and consult your countertop supplier prior to making counter opening. Consult with a heating and ventilation engineer for your specific ventilation requirements. For the most detailed information, refer to installation instructions accompanying product or write to Thermador indicating the model number. Specifications are correct at time of printing. Thermador reserves the right to change product specifications or design without notice. Some models are certified for use in Canada. Thermador is not responsible for products that are transported from the U.S. for use in Canada.