



SIEMENS

The Power of Built-in 2023 Summer

Discover exciting possibilities and innovative features with Siemens built-in appliances.

siemens-home.bsh-group.com.hk

The future moving in.

2 years
Warranty

German
Technology



Siemens Home Appliances

For a life less ordinary.

Siemens presents the appliances of the iQ700 series. Each individual built-in appliance is eye-catching on its own. But together, they provide an exceptional kitchen experience – with the perfect built-in design and unique innovations.

Colors of actual products may vary from illustration and pictures.
Some of the appliances pictured in this catalogue are not available in Hong Kong.



"...of an enterprise that, through its own inventions and its entrepreneurial vision, contributes to enhancing the knowledge and well-being of humanity."

Werner von Siemens

We don't just pursue vision and bring the future closer to people's homes – We make dreams in reality.

When the founder of our company, Werner von Siemens, came to Berlin at the age of 17, he had nothing more than just a dream "of an enterprise that, through its own inventions and its entrepreneurial vision, contributes to enhancing the knowledge and well-being of humanity."

For more than 165 years, Siemens is a German industrial and technological brand with activities spanning the entire breadth of the electrical engineering industry. The brand personifies the timeless vision of Mr Siemens: "progress in the service of mankind". Management of the home appliances business under the Siemens brand has been exercised by BSH Siemens Hausgeräte GmbH since 1967.

It's in our genes to look further into the future than others in order to offer technical solutions to the major challenges of our time. This also holds true for those innovations with which we improve the quality of life in people's homes. No invention contributes more to our well-being than those we come into contact on a daily basis. And no environmental technology is more valuable than one that is used a million-fold. From the first stoves and washing machines in the 1920s to the first fully automatic dishwasher and the invention of Zeolith® drying technology – with the innovative strength of our global enterprise, we ensure that the future finds its way into people's homes.

Siemens home appliances set standards in the market. They are the expression of progressive ideas, a consistent quest for performance and a strong stylistic awareness to satisfy the diverse demands of a modern lifestyle. Our timeless and contemporary designs receive continued recognition from many major international design awards, including iF and reddot.

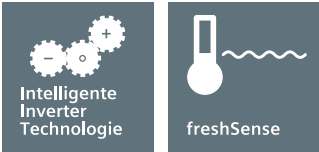


Automatic and precise gear changes, more efficient fuel consumption, arrival at the right destination almost automatically – this kind of intelligent technology that we tend to take for granted in our cars should also be present in our homes to provide constant convenience. Enter the intelligent home appliances from Siemens, which automatically perform almost every task better and even more efficiently than we could possibly do ourselves. We've provided each Siemens home appliance with the knowledge it needs, for example, to automatically remove 16 different types of stain on laundry, automatically clean dryer condensers, automatically cook roasts, automatically keep vegetables and meats fresh for a longer period, and automatically wash dishes both quickly and efficiently. Just as human beings rely on their five senses to make wise decisions, the intelligent systems in Siemens home appliances rely on their "eyes and ears" to take precise and unerring control of processes. Highly sensitive sensors are constantly transmitting precise information to the "brain" of the appliances so that they can automatically implement the next correct step. Find out how even housework can become a favorite pastime – with intelligent home appliances from Siemens.

Intelligent home appliances do almost everything better – and automatically.

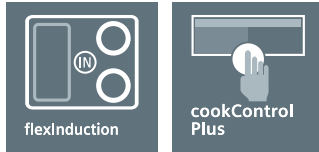
Intelligent refrigeration

Now you can enjoy fresh foods anytime – and trust Siemens refrigeration appliances to know the best conditions for cold storage. Thanks to their innovative features and intelligent inverter compressor technology, these appliances register every change in temperature while constantly, quietly and highly efficiently adjusting refrigeration conditions. With freshSense, they can instantly respond to temperature changes and maintain a constant level. Besides, the vitaFresh compartments keep produce, meat, and fish fresh for longer.



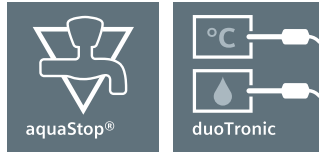
Intelligent cooking

Experience more joy in your kitchen – and a new freedom in cooking. You can place your pots and pans anywhere on the unique flexInduction hob without the restrictions of cooking zones. The innovative surface induction automatically detects the shape and size of the cookware. Siemens' full range of iQ700 ovens offers conventional heating, steam and microwave cooking methods developed as a feast for your eyes and your sensors. And thanks to the automatic function, Siemens' chimney hood always adapts automatically to the density of the steam.



Intelligent laundry care

Look forward to laundry that is flawlessly clean and dry and to the fact that your Siemens washer and washer dryer do almost all the work automatically for you. All of our washing machines feature the autoloader system, which automatically tailors the wash programme to suit the size of the load, optimising energy and water usage. Thanks to the duoTronic technology, a set of internal sensors to the drum air temperature and humidity instructs an accurate drying time for clothing, hence avoids excessive drying and overheating.



Intelligent dishwashing

Experience the brilliant shine of sparkling clean dishes – and the satisfaction of having a Siemens dishwasher to reliably relieve you of this tedious kitchen task. Being the winner of international award, Siemens' innovative Zeolith® Drying delivers brilliant dishwashing results.



Siemens appliances don't just work incredibly well – they are incredible.

“At Siemens, design always starts with technological innovations, which requires new approaches to design.”

Gerhard Nüssler
Head of Design, Siemens



In design, form follows function

Siemens develops and designs technological worlds where progress can be experienced first hand and design plays a key role. The Siemens design is characterized by straight lines, architectural clarity and the use of groundbreaking materials and processing technologies. New lighting, sensor, and interactive technologies lend highly expressive accents. Technology becomes an experience for all the senses and Siemens design becomes an unmistakable mark of quality that guarantees the enjoyment of well-crafted products for many years to come.

iQ700. Perfect built-in design

iQ700 stands for a new evolutionary stage in the design of Siemens built-in appliances. The functional center and design code of the appliance series is the 2-zone front panel with fine chrome strips. Its purely horizontal alignment and consistent height allow perfection in both horizontal and vertical arrangements. The hybrid user interface is based on a simplex design. For more complex appliances, such as networked ovens, the interface combines the best of the mechanical and digital world.

- Iconic Awards: Innovative Interior
- German Design Award Gold



Siemens home appliances don't just look fantastic – they are fantastic

You'll enjoy the clear, bold lines, high-quality materials and high-precision craftsmanship of the Siemens design for years to come. Many design juries agree. For instance, Siemens home appliances have won the following design awards:

- the “iF product design award”
- the “red dot design award winner”
- the “red dot best of the best”



Ideas for more efficiency.

You can save the most resources where they are used – at your home

Environmental protection starts at home, since cooking and refrigeration consume 39%* of the total energy used in a common household. Of the 130 litres of water used in household per person per day in Hong Kong#, almost 1/6 is used for washing clothes and dishes. The use of new energy-saving appliances can make a difference here, for the environment and against the inexorably rising cost of living.

The sign of efficiency

Siemens' technology innovations make possible top efficiency and performance alike. Our appliances are at the top of EU energy savings classifications and some are much better. As a sign of their especially low energy consumption, the best Siemens appliances make it easier to identify better energy-efficient appliances when you're shopping, to help you save money and the environment.

The population is growing.

Unfortunately, our resources are not Today the world is home to over 7 billion people. They watch TV, cook, heat, bathe, wash, and refrigerate. Each of them uses electricity and naturally also raw materials like water. The population continues to grow, and with it the demand for energy and drinking water. Yet already over 1 billion do not have access to clean water, and that number is rising. Thus, saving resources only makes sense.

*Source: EMSD Hong Kong Energy End-user Data 2011
Source: Water Supplies Department, HK. Feb 2012

Knowledge and expertise about built-in appliances only Siemens can provide.

Kitchen planning

We understand that working on the kitchen can be quite tiring if it is not well-planned ahead especially from ergonomic point of view. Our expert could pay an onsite visit before installation and work hand in hand with your kitchen specialist to create a perfect and harmony kitchen for your home.



Choosing the most suitable appliances

We learn from our customers and take their cooking habit into consideration when it comes to choosing appliances. Not to mention we will also take note on the layout of your kitchen to ensure your appliances can be fully utilized. At Siemens, our experienced team could give valuable advices and make certain your appliances are your best choice.

Precise delivery

Our logistic team ensures the appliances arrive safely and timely at your home as we know how much you care about your purchase. We deliver and unload the appliances exactly where you desire them to be located* even it requires staircase uplifted or remote area delivery such as Discovery Bay.



Professional installation

At Siemens, we ensure all installations are carried out at high quality standard. The built-in appliances are well fitted into the kitchen cabinets. What's more, we will test your appliance after installation and also offer you a briefing on basic setting and operation. At Siemens, we are determined to bring you a worry-free and enjoyable purchase experience.

* Terms and conditions apply. For details, please consult Siemens Product Hotline.

Siemens, being a built-in expert in Hong Kong, meaning we will take care of everything for you, from planning your kitchen layout, choosing the best appliances for you, to delivery and installation. We will look after every step so you can sit back and relax.



A world of possibilities. Connected to your home.



Redefine your daily life: With Siemens and Home Connect.

With the Home Connect App, you can interact with your Siemens home appliances in a completely new way and discover all possibilities that let you take the next steps into the future.



Discover more about Home Connect

Smart appliances management. Anywhere. Anytime.

As innovation moves on, new possibilities arise. Thanks to Wi-Fi-enabled Siemens home appliances with Home Connect functionality, they make their way into your home and enrich your everyday life.

The combination of Wi-Fi-enabled appliances, intelligent software and the intuitive Home Connect App offers a wide range of exciting use cases. Some, easing the workload – some, opening up completely new possibilities. Making your everyday life as efficient and comfortable as never before and allowing you to spend more time and attention on the things you really love to do.



Personalize your appliance.

Home Connect Favorites saves time by putting you in the fast lane to your frequently used programs. Instead of going through the same process every time you start a particular program, you can now simply tap on your specific favorite with your pre-defined individual settings.



Your digital household assistant.

Delicate or eco? And what temperature? Leave all these dilemmas behind – thanks to Program Assistant, you'll always make the right choice. It's designed to easily and intuitively help you pick programs for all the appliances with Home Connect based on several key factors – and Program Assistant will suggest a program that is suitable for your needs. From there, it's just one tap on the screen to start your appliance.



Enhance your lifestyle, tickle your taste buds.

Cooking at a professional level has never been easier, with an extensive selection of recipes in your Home Connect App. Once you have picked your favorite one, you can transfer the ideal settings to your oven, and even remotely start the heating process. Time to enjoy convenient cooking and delicious meal.

Discover the specific benefits that Home Connect offers you with every appliance categories



Download and install



Apple, the Apple logo are trademarks of Apple Inc., registered in the U.S. and other countries. App Store is a service mark of Apple Inc.

Google Play is a service provided by Google LLC

If you haven't yet registered on the app you can still try out the demo function to get a better understanding of the features available to you.

Pioneering the Seamless Life

Table of contents



iQ700 OVEN SERIES

varioSpeed oven series
Microwave oven with grill
Oven with fullSteam
fullSteam oven

15–44



COFFEE CENTRE and
WARMING DRAWERS

45–52



HOB

53–72



HOOD

73–84



COOLING

85–106



DISHWASHER

107–122



LAUNDRY

123–126



ACCESSORIES

127–134

iQ700 Built-in cooking products.
For a life less ordinary.





iQ700 oven series

Not just a kitchen, but a space for thrills and a stage for the professional cook.



Developed for a life less ordinary.

With the iQ700 oven series, you can achieve perfect alignment irregardless of a vertical or horizontal installation.

The new iQ700 appliances range is a feast for the eyes.

The iQ700 oven series features impeccably matching perfect built-in design. Thanks to the front which is coordinated with one another down to the very last detail. Each appliance is unique on itself and combined, they become an extraordinary design experience.

Feast for the senses

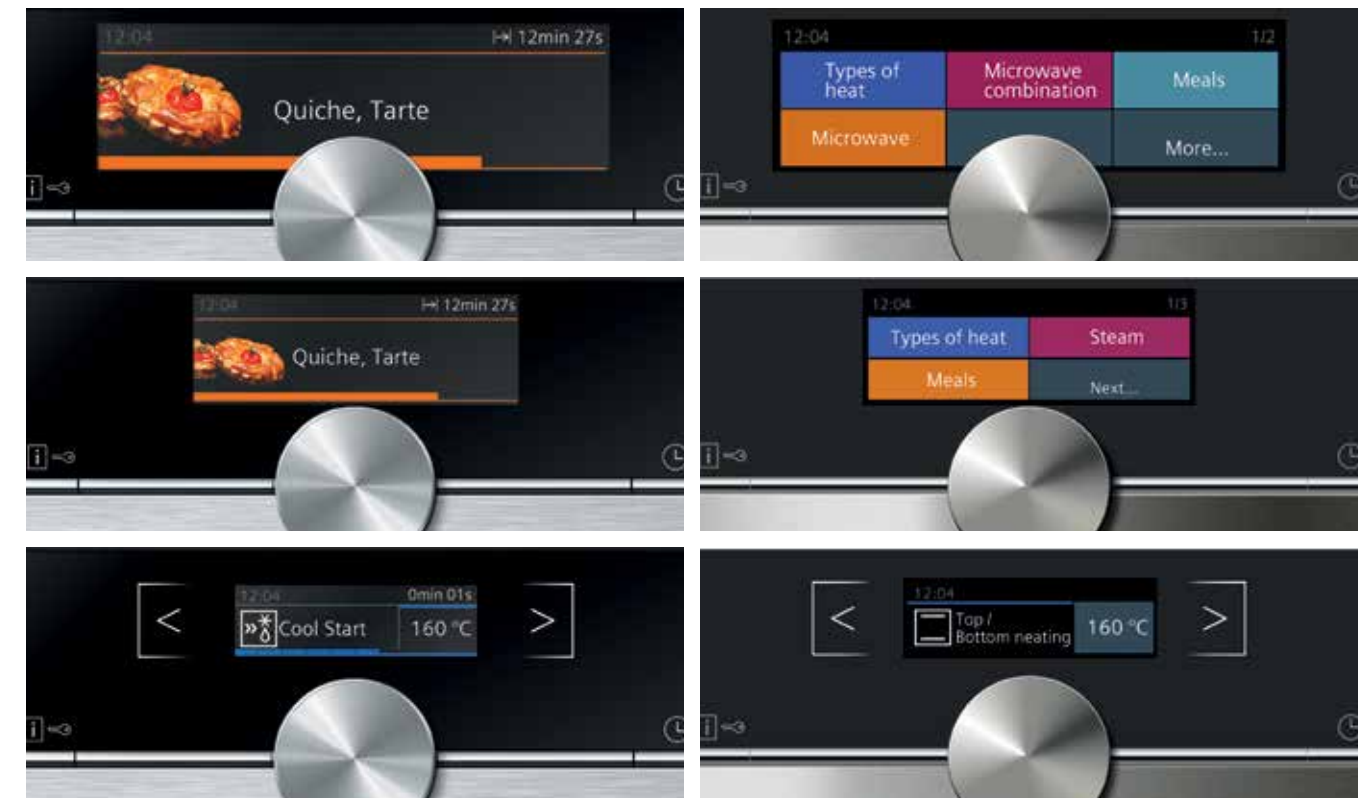


With Siemens' new iQ700 built-in range, anything is possible.



One touch. That's all it takes to prepare culinary delights

Featuring different display screen sizes and cookControl plus



It's never been this easy to keep an eye on everything. Bigger size, brighter colours, higher contrast and better resolution. The new TFT-Touchdisplay Plus also boasts a new menu structure optimized for convenience and intuitiveness.



Pre-installed setting recommendations guarantee the best results for numerous dishes: cookControl Plus.

Simply select the required dish and enter the weight – the cookControl Plus function immediately provides individual recommended settings for perfect cooking. Therefore, you achieve the best results for many dishes contained in cookControl Plus in a reliable manner.



Be connected at home to make life easier



With the Home Connect app, you can easily control your Wi-Fi-enabled home appliances from Siemens on your smartphone.

You are in safe hands.

Siemens ovens are equipped with cooking sensors to help you get the best results with your dishes. Use the 'dishes' section on the app and let it suggest the best cooking settings for your dish.

From the app, you can also preheat, control the temperature and find the right baking time easily. Also adjust your oven settings from display to lighting and have your appliance instruction manual always at hand.

The constantly growing network of partner solutions opens up completely new perspectives and networking possibilities for you. For an everyday life that is efficient and exciting like never before.

Browse the recipe section of the Home Connect app and let yourself be inspired by new and selected recipes that meet even the highest demands. Then send the cooking settings of your chosen recipe directly to your oven intuitively from the app.

Every connection lets your world grow.

Connect your Wi-Fi-enabled oven to a wide range of smart devices and services. Check the settings of your device and receive push notifications directly to your phone, like when your oven cooking programme had ended – wherever you are.

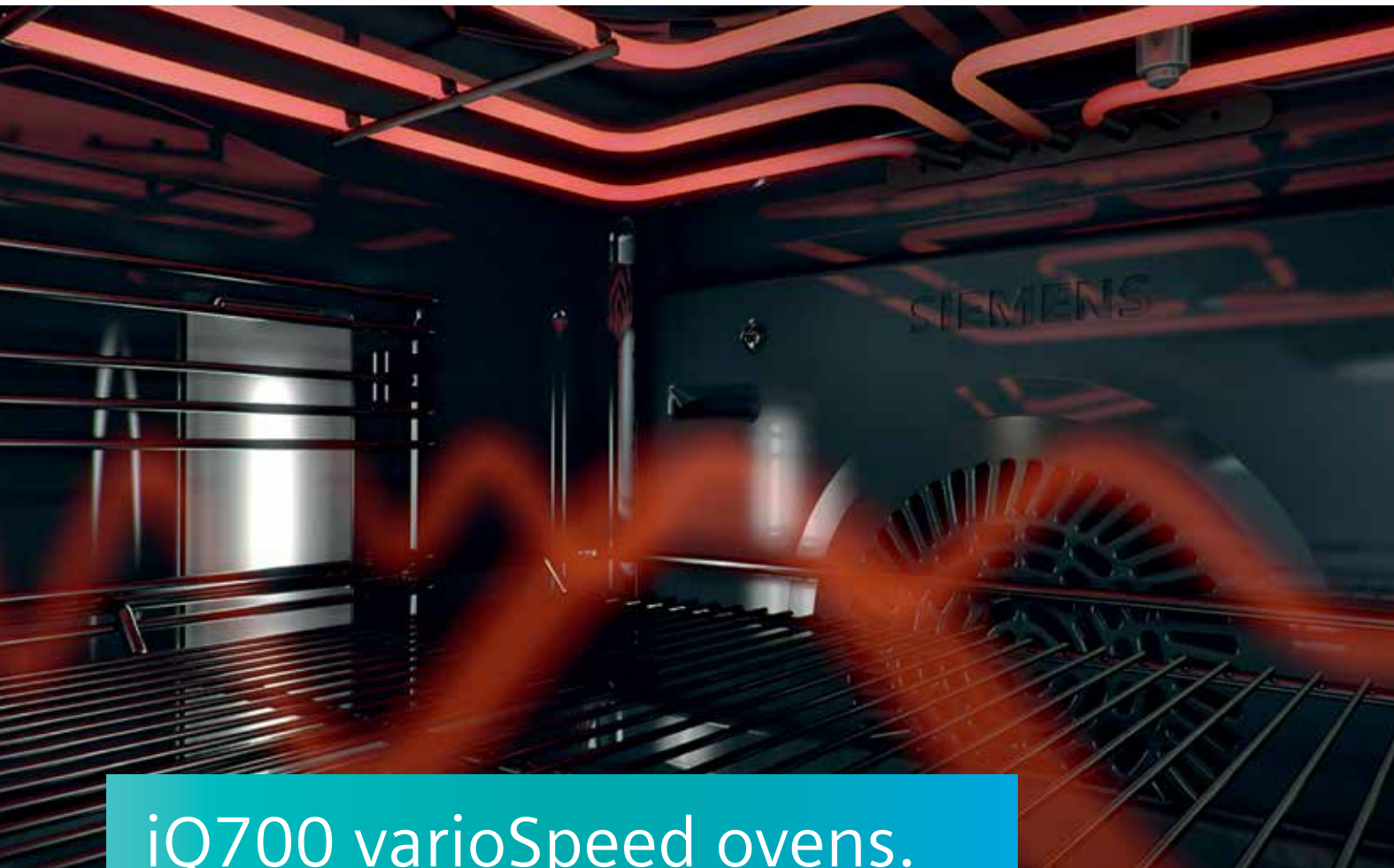
Discover the countless applications that are precisely tailored to your needs. With Home Connect and the relevant partner, you can now control your household with just one click. Create your own personal scenarios by turning off various devices when you want to leave your home. Enjoy the all-in-one solution for intelligent home automation.





Take your time.
Your oven won't.





iQ700 varioSpeed ovens.

There are things in life that are worth spending more time on like a business meeting or getting to read a few more pages of a bedtime story. Or – for something more exotic – learning how to spearfish. Whenever you find yourself in a situation where you want to spend your time differently, but not necessarily cooking, varioSpeed allows you to. No matter whether it's a little snack or a masterful salmon recipe, you can now adjust the cooking time to your own speed of life. Ultimately giving you all the flexibility your less ordinary life requires.



Use a fraction of the time.



varioSpeed

Taste needs exactly the time you have.

Twice as fast in combination: by additionally activating the integrated microwave to complement conventional heating methods, you can speed up the preparation of your dishes – always with the perfect quality you would expect. Save up to 50% of the time usually needed and use it at your own disposal.



coolStart

Finally, pre-heating is no longer necessary and you can save time: the coolStart function.

Cooking frozen food in the oven is now even faster – thanks to the innovative coolStart function. With the support of this intelligent heating phase, you can now successfully cook frozen food quickly and without pre-heating – which is particularly time saving.

Effortless cooking.



Achieve the best roasting results – easier than ever before: roastingSensor Plus.

Thanks to three measuring points, the innovative roasting thermometer is able to precisely and reliably measure the internal temperature of your dishes. This is suitable for numerous dishes and can even be combined with the integrated microwave and the pulseSteam function.



Every model put in a good light.

Depending on the model, you have different kinds of illumination. Whether it's the standard Halogen, the LED or the most advanced Multilevel LED-Illumination, they all provide a brilliant view to draw full attention to your dishes.



The oven itself detects when the baking process is complete: the bakingSensor.

All that's left for you to do when baking: prepare the pastry and select the required dish. Innovative sensor technology automatically controls the baking process. The bakingSensor measures the moisture levels in the oven interior and is therefore able to tell when the dish is ready.



The oven door opens and closes gently and quietly thanks to intelligent damping: softMove.

Relaxed operation of the oven without pressing and pulling. The intelligent damping mechanism ensures that the oven door opens and closes gently.



Effortless cleaning.



Time is always precious. Therefore it must be spent wisely. Choosing ovens with Siemens' self-cleaning program frees your time to indulge in your favorite activities such as watching TV, reading a bed-time story to your beloved kids or spending quality time with your family.

You can enjoy preparing food without bothering about the usual consequences. No matter how flamboyant it gets in the oven interior, you no longer need any chemical treatment to get it clean again – you only need the push of a button. If you want, the oven can clean itself thoroughly with activeClean. It does so, by heating up to very high temperatures – turning all residues into ashes, which can easily be wiped away. This process is called pyrolysis and it is the most comfortable and efficient way to clean the whole interior of your oven, since even the telescopic rails are specially designed to be activeClean-proof.



ecoClean® Plus has just become easier than before. The new ecoClean® Plus technology provides excellent cleaning performance. It is innovative and far more efficient than the standard catalytic liners. It renders the oven with smooth seamless surfaces which facilitates easy cleaning.



Have fun cooking in your kitchen

With the many clever, innovative functions, Siemens built-in appliances make cooking much simpler and more convenient and relaxing. Siemens ovens offer a wide choice of heating methods providing ideal cooking options for all types of food.



Conventional (top and bottom heating)
Ideal for single shelf cooking and gives you a more crispy and drier result. Good for meat and fruit pies. Rich fruit cakes will not be peaked in the centre when using this cooking method. The oven needs to be pre-heated on this setting.



Bottom heating
Ideal for casseroles, curries and any slow cooking. Good for bain-marie cooking of crème caramels.



coolStart
Ideal for successfully cooking frozen food without pre-heating.



Drying
Ideal for drying fruit and vegetables as healthy snacks or drying your herbs for longer preservation.



Hot air eco
The most popular cooking program from our ovens now becomes eco. With this program, special temperature control optimized for cooking on one level, hence saving energy is now possible.



Hot air grilling
This cooking system is ideally suited for poultry and duck up to 2.5kg / 5lb and for smaller cuts of meat. Also ideal for crisping the crackling on pork (use this for the last 30 minutes of the cooking time for the perfect crispy finish).



Grill, large area
The three stage variable grill gives you precision grill temperature control for a full width grill.



Grill, small area
Using only the centre of the grill is perfect for cooking smaller quantities.



Best baking results regardless of which shelf you choose: 4D hotAir.
Choose which shelf you want to cook your food on with the greatest possible flexibility. The innovative technology of the fan motor enables optimum heat distribution in the interior of the oven. Your dish therefore always turns out perfectly just as you want it, regardless of which shelf you place it on.



Intensive heat
This type of heat uses the heating elements from the top of the oven with the addition of a more powerful bottom heating element. Ideal for cheesecakes, crispy cake bases and baking tins that have poor heat conduction.



Pizza setting (Intensive hot air)
A crisp underside to pizza bases, quiches and pastry cases can be achieved by activating the intensive hot air setting. Pre-heating is not necessary when using this setting for cooking from frozen.



Slow cook
For good quality meat and poultry trimmed of all fat. Meat is pan fried to seal in the juices and then transferred to an oven proof dish with a lid. This is then placed in the oven at a pre-defined, fixed low temperature without any additional liquid added. The oven will slowly cook the meat keeping it moist, juicy and tender, without overcooking.



Defrost
Gently defrost a delicate gateaux or large joint of meat or turkey. This setting circulates room temperature air around the food, whilst keeping the food away from pests.



Keep warm
Food can be kept warm in the oven on this setting until it's ready to be served.



Pre-heat (Plate warm)
As food stays warm for longer on pre-heated plates, you can warm up your plates and serving dishes with this function.

Sabbath setting*
The oven is automatically set to conventional heat at a temperature of 85°C. You can adjust the Sabbath setting duration for between 24 to 73 hours. Designed to keep pre-heated food warm for the period.

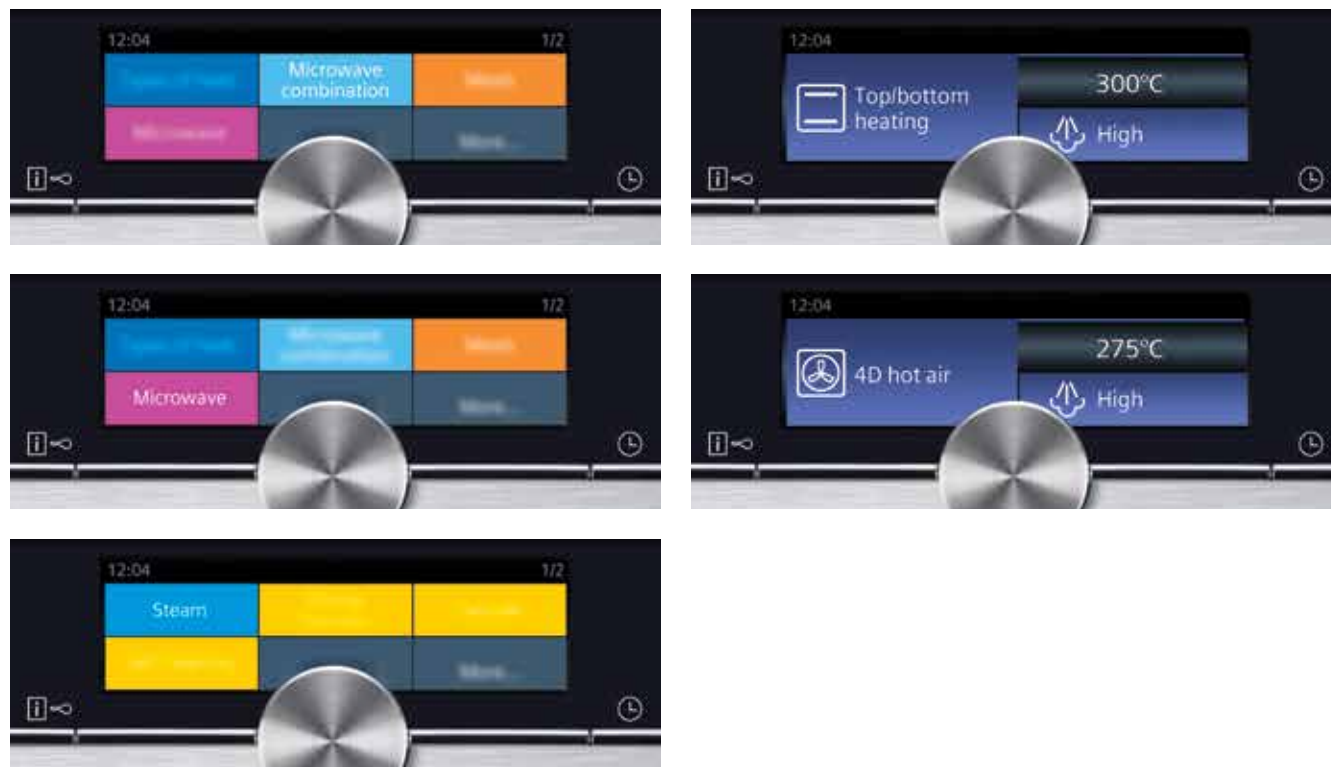
varioSpeed oven with pulseSteam

Freedom.
More possibilities in the kitchen, all in one appliance.

Flexibility.
International range of culinary delights, all in one appliance.



Five cooking functions in one



iQ700 oven series

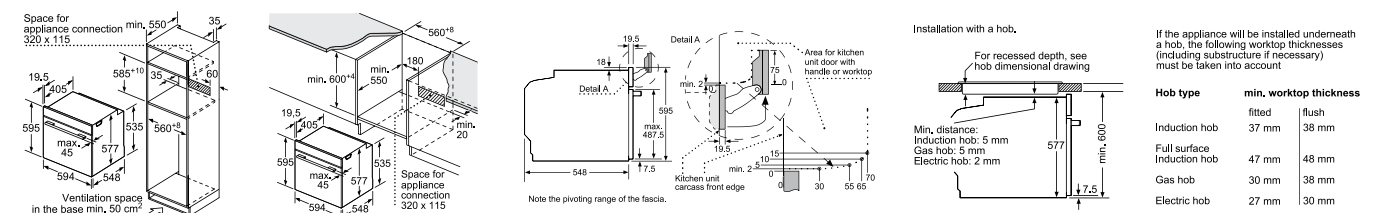


Scan code to find out more

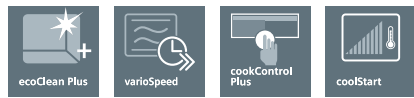
varioSpeed oven with pulseSteam
HN678G4S6

Design	<ul style="list-style-type: none"> 5.7" TFT colour and graphic display Touch control with rotary knob softMove door Quadruple glass cool touch door (30°C door temperature)* 	<ul style="list-style-type: none"> Integral cooling fan 5 shelf levels with 1 level telescopic rail Enamel oven interior LED elongated light Integrated grill element
Features	<ul style="list-style-type: none"> activeClean® function and program activeClean® solid rails and trays bakingSensor roastingSensor Plus Drying function Rapid heat function Residual heat indicator 	<ul style="list-style-type: none"> Sabbath setting Automatic temperature proposal with actual temperature display Descaling function Door contact switch cookControl Plus
Programmes / Additional Features	<ul style="list-style-type: none"> 15 hot air and grill cooking methods - 4D hot air - Hot air eco - Conventional heat - Conventional heat eco - Pizza setting (intensive hot air) - Intensive heat - Bottom heat - Drying - coolStart - Hot air grilling 	<ul style="list-style-type: none"> - Full width grill - Half width grill - Keep warm - Plate warming - Slow cook • Combination microwave and oven function • pulseSteam function - Reheat - Dough proving • Digital electronic clock with on/off and alarm function
Technical Information	<ul style="list-style-type: none"> Capacity: 67L Water tank capacity: 1L Grill output: 2.8kW (max.) Microwave output: 800W (max.) 	<ul style="list-style-type: none"> Heating temperature: 30°C to 300°C Total connected load: 3.6kW (20A single phase connection)
Appliance Dimensions (H x W x D)	595 x 594 x 548mm	
Cavity Dimensions (H x W x D)	357 x 480 x 392mm	
Supplied Accessories	<ul style="list-style-type: none"> 1 combination grid 1 universal pan 	<ul style="list-style-type: none"> 1 enamel baking tray
Country of Origin	Germany	
Expert Services	<ul style="list-style-type: none"> Product consultation with unlimited product hotline inquiry Kitchen planning consultation with pre-installation site measurement Professional installation 	
Recommended Retail Price	HK\$46,800	

* Measured at the middle of the window at 180°C oven temperature, after 1 hour on top and bottom heat.



iQ700 oven series

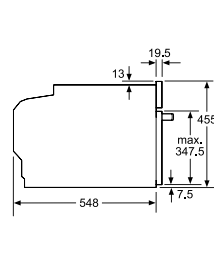
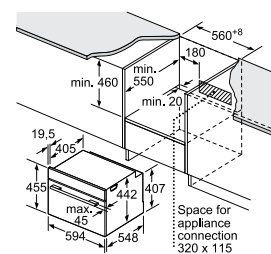
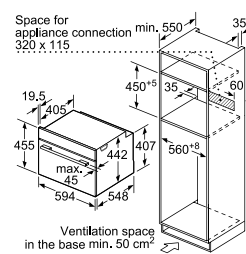


Scan code to find out more

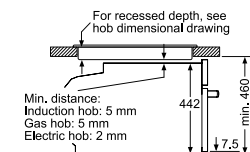
Built-in oven with microwave
CM656GBS1B

Design	<ul style="list-style-type: none"> 3.7" TFT color and graphics display Touch control with rotary knob softMove door Triple glass cool touch door (40°C door temperature)* 	<ul style="list-style-type: none"> Integral cooling fan 3 shelf levels Enamel oven interior LED light at cavity ceiling Integrated grill element
Features	<ul style="list-style-type: none"> ecoClean® Plus at ceiling, back and side walls Self-cleaning function Rapid heat function Residual heat indicator 	<ul style="list-style-type: none"> Automatic temperature proposal with actual temperature display Door contact switch cookControl Plus
Programmes / Additional Features	<ul style="list-style-type: none"> 13 hot air and grill cooking methods <ul style="list-style-type: none"> 4D hot air Hot air eco Conventional heat Conventional heat eco Pizza setting (intensive hot air) Bottom heat coolStart Hot air grilling 	<ul style="list-style-type: none"> - Full width grill - Half width grill - Keep warm - Plate warming - Slow cook • Combination microwave and oven function • Digital electronic clock with on/off and alarm function • Childproof lock
Technical Information	<ul style="list-style-type: none"> Capacity: 45L Grill output: 2.8kW (max.) Microwave output: 900W (max.) Heating temperature: 30°C to 300°C Total connected load: 3.6kW (20A single phase connection) 	
Appliance Dimensions (H x W x D)	455 x 594 x 548mm	
Cavity Dimensions (H x W x D)	237 x 480 x 392mm	
Supplied Accessories	<ul style="list-style-type: none"> 1 combination grid 1 universal pan 	
Country of Origin	Germany	
Expert Services	<ul style="list-style-type: none"> Product consultation with unlimited product hotline inquiry Kitchen planning consultation with pre-installation site measurement Professional installation 	
Recommended Retail Price	HK\$35,300	

* Measured at the middle of the window at 180°C oven temperature, after 1 hour on top and bottom heat.



Installation with a hob.



If the compact appliance will be installed underneath a hob, the following worktop thicknesses (including substructure if necessary) must be taken into account.

Hob type	min. worktop thickness	
	fitted	flush
Induction hob	42 mm	43 mm
Full surface Induction hob	52 mm	53 mm
Gas hob	32 mm	43 mm
Electric hob	32 mm	35 mm

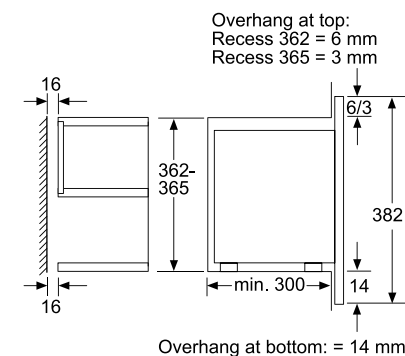


Scan code to find out more

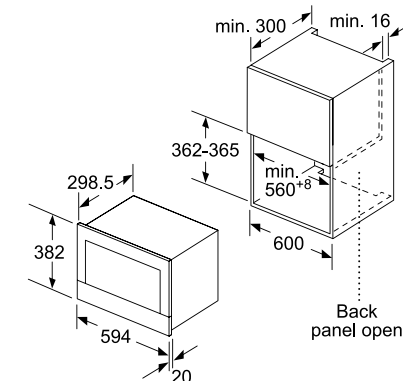
Built-in microwave oven with grill
BE634LGS1B

Design	<ul style="list-style-type: none"> High definition color TFT clearText display Touch control with rotary knob Flat bottom Stainless steel interior LED light at cavity ceiling Left-hinged Can be installed in wall unit
Features	<ul style="list-style-type: none"> Electronic clock with time display Electronic door opening button
Programmes / Additional Features	<ul style="list-style-type: none"> 2 cooking methods <ul style="list-style-type: none"> Microwave Grill Microwave and grill combination 10 automatic cooking programmes Time setting, up to 90 minutes
Technical Information	<ul style="list-style-type: none"> Capacity: 21L Grill output: 1.3kW (max.) Microwave output: 5 levels : 90W, 180W, 360W, 600W, 900W Total connected load: 1.99kW (13A)
Appliance Dimensions (H x W x D)	382 x 594 x 318mm
Cavity Dimensions (H x W x D)	220 x 350 x 270mm
Supplied Accessories	<ul style="list-style-type: none"> 1 glass pan 1 grid
Country of Origin	United Kingdom
Expert Services	<ul style="list-style-type: none"> Product consultation with unlimited product hotline inquiry Kitchen planning consultation with pre-installation site measurement Professional installation
Recommended Retail Price	HK\$12,300

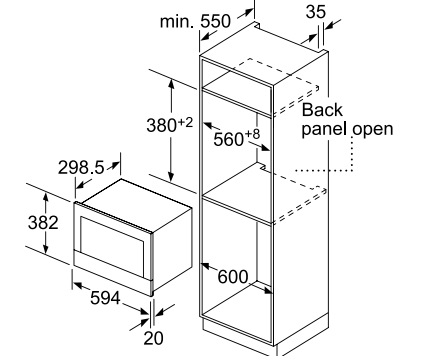
Microwave
Front panel overhang



Microwave
in a wall-hanging cupboard



Microwave
in a tall cupboard



The iQ700 Steam Ovens.



The iQ700 steam ovens can steam or combine steaming with hot air to offer even more possibilities to prepare tasty dishes without added grease or oil. Use fullSteam, to cook vegetables without losing taste, colour or vitamins. Or prepare perfectly crispy and juicy dishes with the pulseSteam function.



Stable temperature, more comfort
Using a traditional wok for steaming requires your constant attention to continually lift the lid to monitor progress. Steam escapes and the drop in temperature prolongs cooking time and uses more energy. Siemens steam oven keeps watch for you, ensuring a constant temperature over a specified time period sounding a warning when ready, so that you can relax and enjoy time with your family.

iQ700 oven series

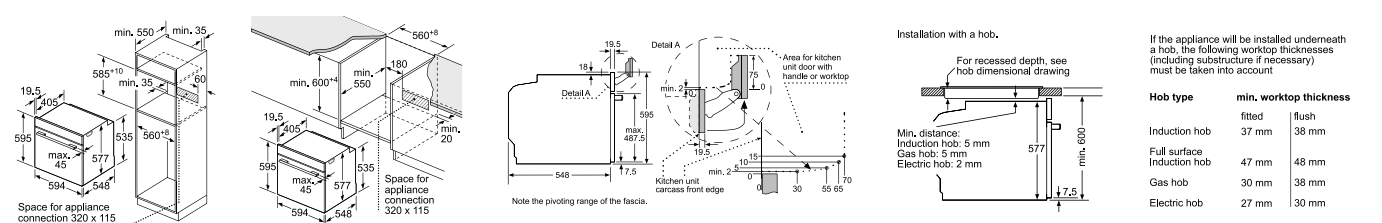


Scan code to find out more

Full size built-in combination steam oven HS636GDS2

Design	<ul style="list-style-type: none"> • 3.7" TFT color and graphics display • Touch control with rotary knob • softMove door • Triple glass cool touch door (40°C door temperature)* 	<ul style="list-style-type: none"> • Integral cooling fan • 5 shelf levels • Enamel oven interior • LED light at cavity ceiling • Integrated grill element
Features	<ul style="list-style-type: none"> • ecoClean® Plus at back wall • roastingSensor Plus • Drying function • Rapid heat function • Residual heat indicator • Sabbath setting 	<ul style="list-style-type: none"> • Automatic temperature proposal with actual temperature display • Descaling function • Door contact switch • cookControl Plus
Programmes / Additional Features	<ul style="list-style-type: none"> • 13 hot air and grill cooking methods <ul style="list-style-type: none"> - 4D hot air - Hot air eco - Conventional heat - Conventional heat eco - Pizza setting (intensive hot air) - Bottom heat - coolStart - Hot air grilling - Full width grill - Half width grill 	<ul style="list-style-type: none"> - Keep warm - Plate warming - Slow cook • 4 steam cooking methods <ul style="list-style-type: none"> - Steam - Defrost - Reheat - Dough proving • Digital electronic clock with on/off and alarm function • Childproof lock
Technical Information	<ul style="list-style-type: none"> • Capacity: 71L • Grill output: 2.8kW (max.) • Water tank capacity: 1L 	<ul style="list-style-type: none"> • Heating temperature: 30°C to 250°C • Total connected load: 3.6kW (20A single phase connection)
Appliance Dimensions (H x W x D)	595 x 594 x 548mm	
Cavity Dimensions (H x W x D)	355 x 480 x 415mm	
Supplied Accessories	<ul style="list-style-type: none"> • 2 small cooking containers (1 perforated and 1 solid) • 1 large cooking container (perforated) 	<ul style="list-style-type: none"> • 1 grid • 1 enamel baking tray • 1 universal pan
Country of Origin	Germany	
Expert Services	<ul style="list-style-type: none"> • Product consultation with unlimited product hotline inquiry • Kitchen planning consultation with pre-installation site measurement • Professional installation 	
Recommended Retail Price	HK\$38,800	

* Measured at the middle of the window at 180°C oven temperature, after 1 hour on top and bottom heat.



iQ700 oven series



Scan code to find out more

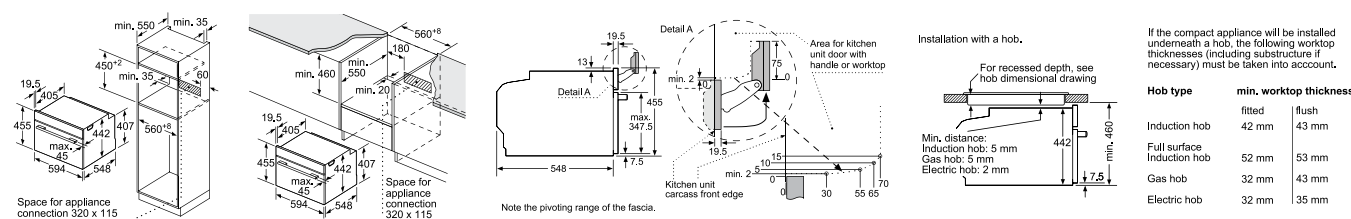


Scan code to find out more

Built-in combination steam oven CS656GBS2

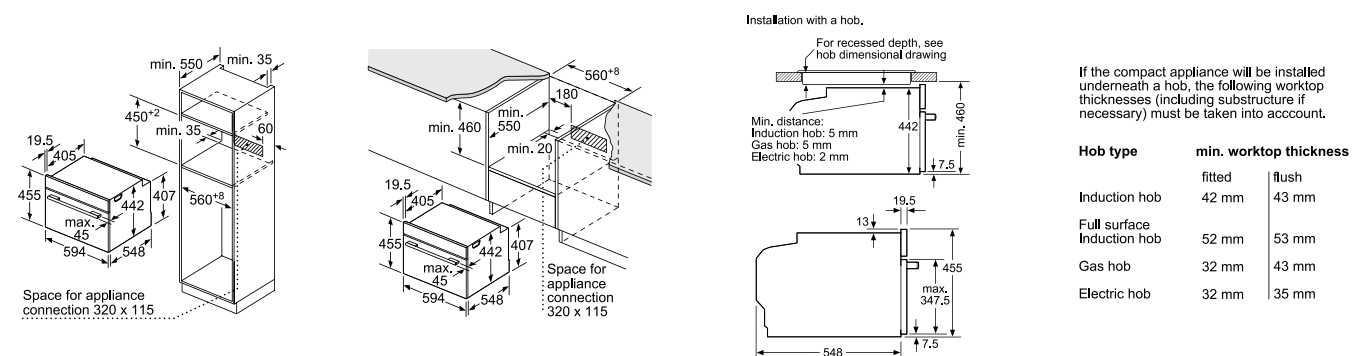
Design	<ul style="list-style-type: none"> • 3.7" TFT color and graphics display • Touch control with rotary knob • softMove door • Triple glass cool touch door (40°C door temperature)* 	<ul style="list-style-type: none"> • Integral cooling fan • 3 shelf levels • Enamel oven interior • LED light at cavity ceiling • Integrated grill element
Features	<ul style="list-style-type: none"> • ecoClean® Plus at ceiling, back and side walls • Self-cleaning function • Drying function • Rapid heat function • Residual heat indicator • Sabbath setting 	<ul style="list-style-type: none"> • Automatic temperature proposal with actual temperature display • Door contact switch • Descaling function • cookControl Plus
Programmes / Additional Features	<ul style="list-style-type: none"> • 13 hot air and grill cooking methods <ul style="list-style-type: none"> - 4D hot air - Hot air eco - Conventional heat - Conventional heat eco - Pizza setting (intensive hot air) - Bottom heat - coolStart - Hot air grilling - Full width grill - Half width grill 	<ul style="list-style-type: none"> - Keep warm - Plate warming - Slow cook • 4 steam cooking methods <ul style="list-style-type: none"> - Steam - Defrost - Reheat - Dough proving • Digital electronic clock with on/off and alarm function • Childproof lock
Technical Information	<ul style="list-style-type: none"> • Capacity: 47L • Water tank capacity: 1L • Grill output: 2.8kW (max.) 	<ul style="list-style-type: none"> • Heating temperature: 30°C to 250°C • Total connected load: 3.3kW (20A single phase connection)
Appliance Dimensions (H x W x D)	455 x 594 x 548mm	
Cavity Dimensions (H x W x D)	235 x 480 x 415mm	
Supplied Accessories	<ul style="list-style-type: none"> • 2 small cooking containers (1 perforated and 1 solid) • 1 large cooking container (perforated) 	<ul style="list-style-type: none"> • 1 universal pan • 1 grid
Country of Origin	Germany	
Expert Services	<ul style="list-style-type: none"> • Product consultation with unlimited product hotline inquiry • Kitchen planning consultation with pre-installation site measurement • Professional installation 	
Recommended Retail Price	HK\$35,300	

* Measured at the middle of the window at 180°C oven temperature, after 1 hour on top and bottom heat.



Built-in steam oven CD634GAS0

Design	<ul style="list-style-type: none"> • High definition color TFT clearText display • Touch control with rotary knob • softMove door • Double glass cool touch door (40°C door temperature) • Integral cooling fan • 3 shelf levels • Stainless steel oven interior • Interior lighting
Features	<ul style="list-style-type: none"> • Automatic temperature proposal with actual temperature display • Descaling function • Door contact switch
Programmes / Additional Features	<ul style="list-style-type: none"> • 4 steam cooking methods <ul style="list-style-type: none"> - Steam - Defrost - Reheat - Dough proving • Digital electronic clock with on/off and alarm function • Childproof lock • cookControl (20 automatic programmes)
Technical Information	<ul style="list-style-type: none"> • Ribbed stainless steel cavity • Capacity: 38L • Water tank capacity: 1.3L • Heating temperature: 30°C to 100°C • Total connected load: 1.75kW (13A)
Appliance Dimensions (H x W x D)	455 x 594 x 548mm
Cavity Dimensions (H x W x D)	265 x 325 x 439mm
Supplied Accessories	<ul style="list-style-type: none"> • 2 large cooking containers (1 perforated and 1 solid) • 1 sponge
Country of Origin	France
Expert Services	<ul style="list-style-type: none"> • Product consultation with unlimited product hotline inquiry • Kitchen planning consultation with pre-installation site measurement • Professional installation
Recommended Retail Price	HK\$26,800



iQ700 oven series

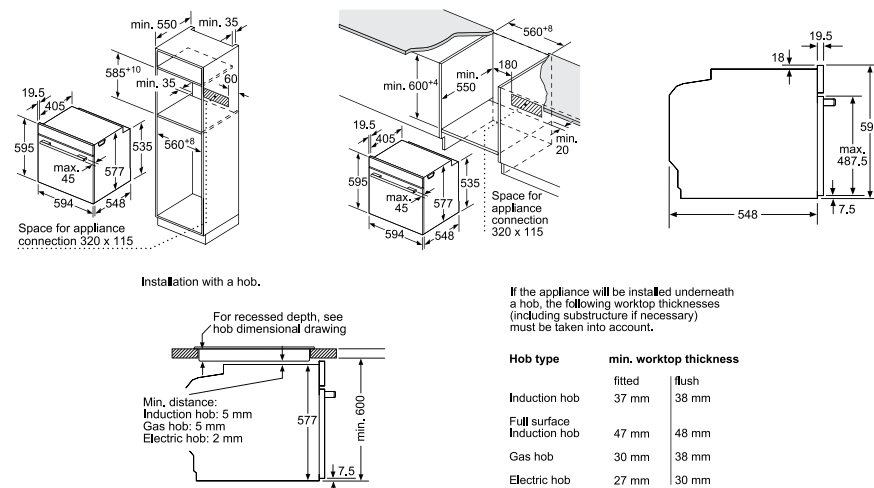


Scan code to find out more

Full size built-in oven
HB632GBS1B

Design	<ul style="list-style-type: none"> High definition color TFT clearText display Touch control with rotary knob softMove door Triple glass cool touch door (40°C door temperature)* 	<ul style="list-style-type: none"> Integral cooling fan 5 shelf levels Enamel oven interior Interior lighting Integrated grill element
Features	<ul style="list-style-type: none"> ecoClean® Plus at back wall Rapid heat function Residual heat indicator Sabbath setting 	<ul style="list-style-type: none"> Automatic temperature proposal with actual temperature display Door contact switch
Programmes / Additional Features	<ul style="list-style-type: none"> 8 hot air and grill cooking methods <ul style="list-style-type: none"> - 4D hot air - Hot air eco - Conventional heat - Conventional heat eco - Pizza setting (intensive hot air) - coolStart - Hot air grilling - Full width grill 	<ul style="list-style-type: none"> Digital electronic clock with on/off and alarm function Childproof lock
Technical Information	<ul style="list-style-type: none"> Capacity: 71L Grill output: 2.8kW (max.) Heating temperature: 30°C to 300°C 	<ul style="list-style-type: none"> Total connected load: 3.6kW (20A single phase connection)
Appliance Dimensions (H x W x D)	595 x 594 x 548mm	
Cavity Dimensions (H x W x D)	357 x 480 x 415mm	
Supplied Accessories	<ul style="list-style-type: none"> 2 combination grids 1 universal pan 	
Country of Origin	Germany	
Expert Services	<ul style="list-style-type: none"> Product consultation with unlimited product hotline inquiry Kitchen planning consultation with pre-installation site measurement Professional installation 	
Recommended Retail Price	HK\$22,800	

* Measured at the middle of the window at 180°C oven temperature, after 1 hour on top and bottom heat.



iQ500 oven series



Scan code to find out more

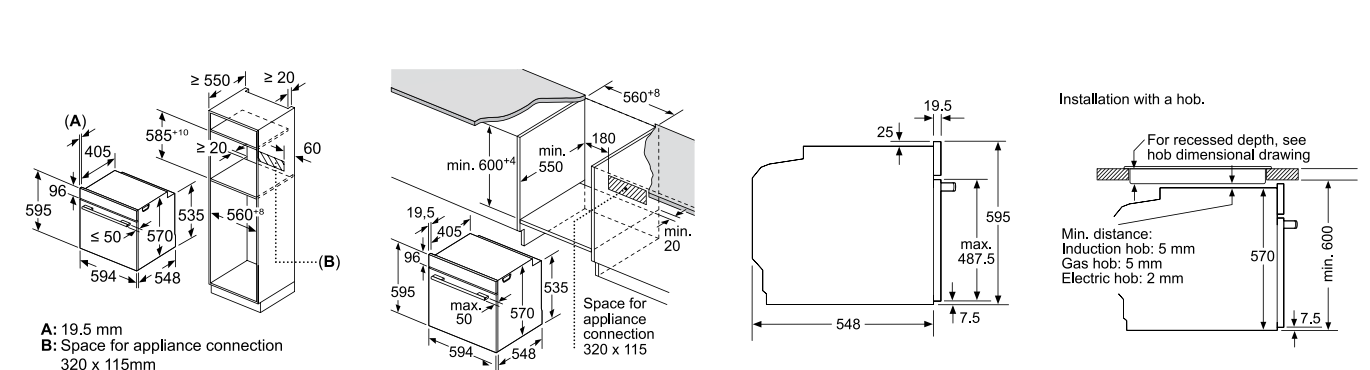
New

* Available in Q3 2023

Full size built-in oven
HB578G5S6B

Design	<ul style="list-style-type: none"> Quadruple glass cool touch door (30°C door temperature)* Integral cooling fan 5 shelf levels with 1 varioClip Enamel oven interior 	<ul style="list-style-type: none"> Rotary knob control Interior lighting SoftMove door Integrated grill element
Features	<ul style="list-style-type: none"> activeClean® function and program roastingSensor Residual heat indicator Sabbath setting 	<ul style="list-style-type: none"> Automatic temperature proposal with actual temperature display Door contact switch cookControl 30 (30 automatic program)
Programmes / Additional Features	<ul style="list-style-type: none"> 8 hot air and grill cooking methods <ul style="list-style-type: none"> - 3D hot air - Hot air eco - Conventional heat - Pizza setting (intensive hot air) - coolStart - Hot air grilling - Full width grill - Slow cook 	<ul style="list-style-type: none"> Digital electronic clock with on/off and alarm function Childproof lock
Technical Information	<ul style="list-style-type: none"> Capacity: 71L Heating temperature: 30°C to 275°C Total connected load: 3.6kW (20A single phase connection) 	
Appliance Dimensions (H x W x D)	595 x 594 x 548mm	
Cavity Dimensions (H x W x D)	357 x 480 x 415mm	
Supplied Accessories	<ul style="list-style-type: none"> 2 combination grids 1 universal pan 	
Country of Origin	Spain	
Expert Services	<ul style="list-style-type: none"> Product consultation with unlimited product hotline inquiry Kitchen planning consultation with pre-installation site measurement Professional installation 	
Recommended Retail Price	HK\$19,800	

* Measured at the middle of the window at 180°C oven temperature, after 1 hour on top and bottom heat.



iQ300 oven series

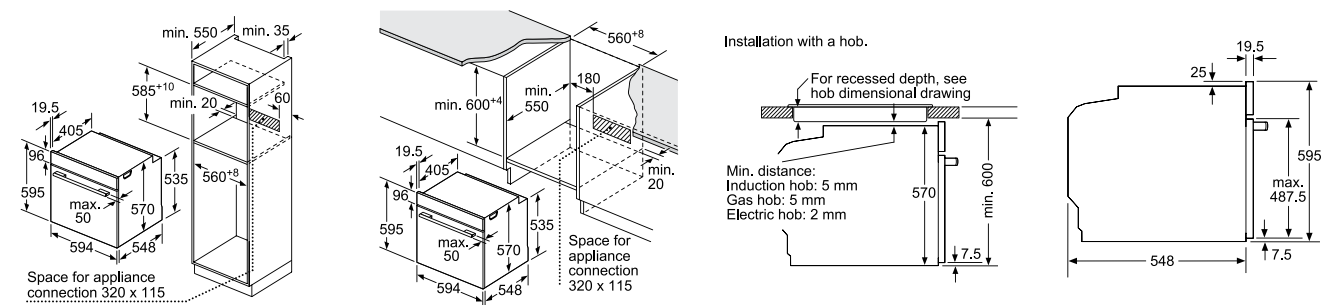


Scan code to find out more

Full size built-in oven HB533ABROH

Design	<ul style="list-style-type: none"> • Double glass cool touch door (50°C door temperature)[^] • Integral cooling fan • 5 shelf levels • Enamel oven interior • Rotary knob control • Interior lighting • Integrated grill element
Key Features	<ul style="list-style-type: none"> • ecoClean® Plus at back wall • Rapid heat function
Programmes / Additional Features	<ul style="list-style-type: none"> • 4 hot air and grill cooking methods <ul style="list-style-type: none"> - Conventional heat - Full width grill - Hot air - Hot air gentle • Digital electronic clock with on/off and alarm function • Childproof lock
Technical Information	<ul style="list-style-type: none"> • Capacity: 71L • Heating temperature: 50°C to 275°C • Total connected load: 3.6kW (20A single phase connection)
Appliance Dimensions (H x W x D)	595 x 594 x 548mm
Cavity Dimensions (H x W x D)	357 x 480 x 415mm
Supplied Accessories	<ul style="list-style-type: none"> • 1 universal pan • 1 enamel baking tray • 1 combination grid
Country of Origin	Poland
Expert Services	<ul style="list-style-type: none"> • Product consultation with unlimited product hotline inquiry • Kitchen planning consultation with pre-installation site measurement • Professional installation
Recommended Retail Price	HK\$11,800

[^] Measured at the middle of the window at 180°C oven temperature, after 1 hour on top and bottom heat.



* 20mm for metal fascias

iQ500 oven series

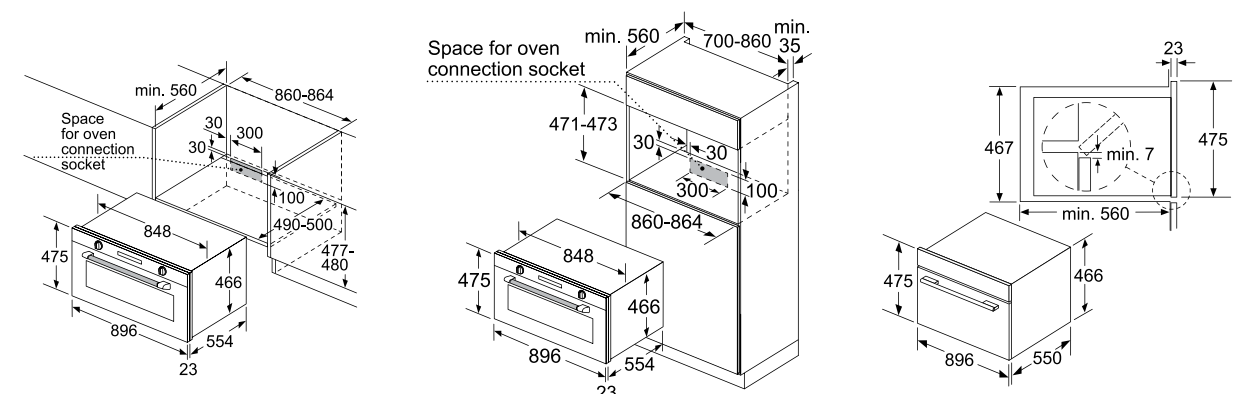


Scan code to find out more

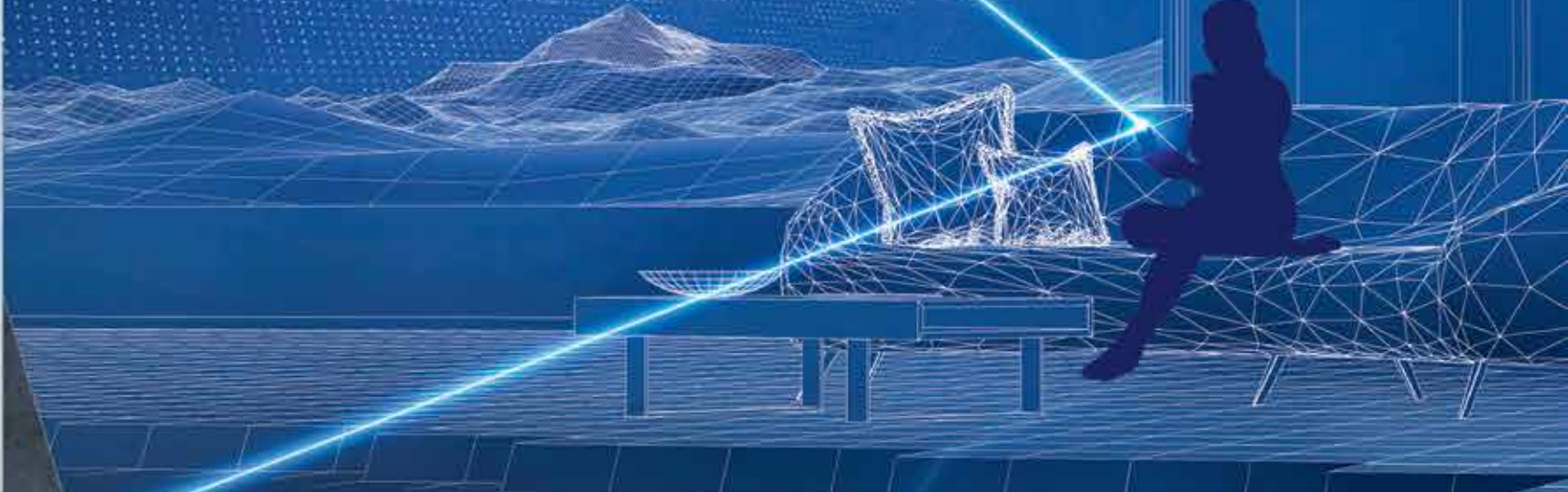
Built-in oven VB558C0S0

Design	<ul style="list-style-type: none"> • Triple glass cool touch door (40°C door temperature)[^] • Full-glass door • Integral cooling fan • 4 shelf levels with 1 level telescopic rail • Enamel oven interior • Mechanical rotary knobs with touch control • Integrated grill element
Feature	Catalytic cleaning (side and back walls)
Programmes / Additional Features	<ul style="list-style-type: none"> • 10 hot air and grill cooking methods <ul style="list-style-type: none"> - Hot air - Hot air grilling - Full width grill - Half width grill - Pizza setting - Bottom heating - Circulating air - Conventional heat - Conventional heat gentle - Defrost • Digital electronic clock with on/off and alarm function
Technical Information	<ul style="list-style-type: none"> • Capacity: 85L[#] • Heating temperature: 50°C to 280°C • Total connected load: 3.1kW (20A single phase connection)
Appliance Dimensions (H x W x D)	475 x 896 x 572mm
Cavity Dimensions (H x W x D)	282 x 724 x 417mm
Supplied Accessories	<ul style="list-style-type: none"> • 1 enamel baking tray • 1 combination grid • 1 universal pan
Country of Origin	Italy
Expert Services	<ul style="list-style-type: none"> • Product consultation with unlimited product hotline inquiry • Kitchen planning consultation with pre-installation site measurement • Professional installation
Recommended Retail Price	HK\$33,800

[^] Measured at the middle of the window at 180°C oven temperature, after 1 hour on top and bottom heat.
[#] Measured in accordance with EN 50304:2009



Coffee





The iQ700 Coffee Centre.



aromaDouble Shot:

For extra-strong coffee and great aroma

Our aromaDouble Shot function is a double grinding and brewing process designed to create the very best aroma. The shorter extraction time prevents bitter aftertaste, to guarantee that only the best of the beans get into your cup ideal for brewing a lot of coffee with the most intense aroma.



Home Connect:

Perfectly connected to your espresso machine

Control your fully automatic espresso machine with any smart device. And discover the exclusive world of the Home Connect App. For example coffeeWorld, offers a variety of international coffee specialities.



ceramDrive: Finely ground beans for a fuller flavor.

The high-quality ceramic grinder grinds coffee beans to a particularly even consistency, allowing all the different flavours to develop, for an exceptionally aromatic coffee experience. Since ceramics are virtually non-wearing, long-lasting enjoyment of premium-quality coffee is guaranteed.



coffeeSensor System:

Making the most of every coffee bean.

Different varieties of beans have differing characteristics, like size, moisture and oil content. The intelligent coffeeSensor System grinder automatically adapts grinding time to the bean variety being ground, so you always get the perfect quantity for your preferred coffee strength.



oneTouch DoubleCup:

A drink with a touch, or two at once.

No matter which coffee specialities you choose – whether a strong espresso, creamy cappuccino or a latte macchiato: With oneTouch DoubleCup your beverage is prepared with just a touch of a button – it's as easy as that. And even better: you can get two cups at once.



autoMilk Clean: Auto cleaning of the entire milk system.

Making really good, aromatic coffee specialities is a delight – cleaning the milk system not so much. So Siemens developed the autoMilk Clean function. This fully automatic steam cleaning process operates after every drink, allowing you to simply sit back and enjoy a great cup of coffee.



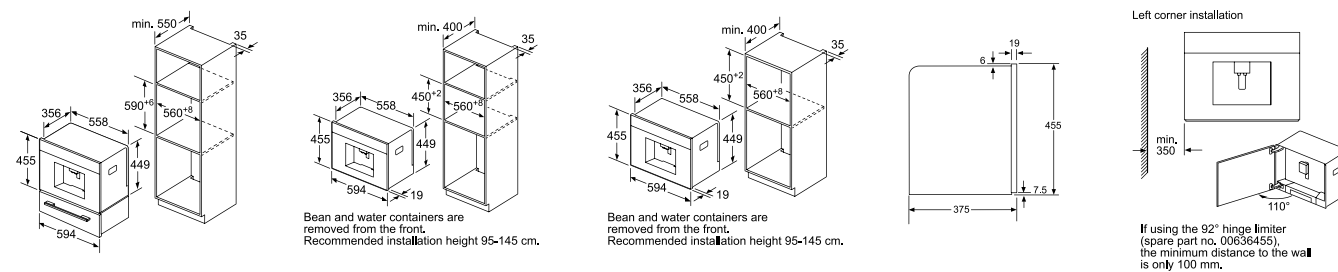
Coffee centre



Scan code to find out more

Built-in coffee machine CT636LES6

Design	<ul style="list-style-type: none"> TFT colour and graphic display Touch control with rotary knob Illumination for coffee outlet Height-adjustable Coffee outlet and milk frother: 15cm high max. Flexible milk solution Removable brewing unit for easy cleaning Easily accessible containers for water, milk and coffee beans Dishwasher-proof drip tray and coffee grounds container
Features	<ul style="list-style-type: none"> sensoFlow System aromaPressure System myCoffee: Create up to eight different coffee variants One-touch preparation: Ristretto, Espresso, Espresso Macchiato, Coffee, Cappuccino, Latte Macchiato, Caffè Latte Water pump with 19 bar pressure aromaDouble Shot: Extra-strong coffee by two grinding and brewing processes Adjustable grinding fineness (multi-level) coffeeSensor System: The grinding unit automatically adjusts to bean variety silentCeram Drive: Quiet premium grinder Milk froth, warm milk and hot water function oneTouch DoubleCup: Prepare two cups simultaneously for all coffee and milk specialities Automatic rinsing program autoMilk Clean: Fully-automatic steam cleaning of the milk system singlePortion Cleaning: Complete emptying of all pipes after each brewing process calc'nClean: Automatic cleaning and descaling programme Reminds in time of water filter change, descaling and cleaning Removable and dishwasher-proof milk frother Water tank and bean container storage indicator Separate chute for ground coffee Removable water tank for easy refilling Childproof lock
Technical Information	<ul style="list-style-type: none"> Removable water tank (2.4L) Bean container with aroma protection lid (500g) Total connected load: 1.6kW (13A) Milk container with freshLock lid (0.5L)
Appliance Dimensions (H x W x D)	455 x 594 x 385*mm *375mm exclude rotary knob
Supplied Accessories	<ul style="list-style-type: none"> 1 Measuring spoon for pre-ground coffee powder 1 connection hose for milk frother 1 milk pipe
Country of Origin	Slovenia
Expert Services	<ul style="list-style-type: none"> Product consultation with unlimited product hotline inquiry Kitchen planning consultation with pre-installation site measurement Professional installation
Recommended Retail Price	HK\$39,800



Warming drawers are more than just drawers

The drawers are suitable for dinnerware warming and also food warming. They can take up to either 12 or 40 plates, can be used to safely and hygienically keep food hot for up to 1 hour and can also be used to prove dough, gently thaw delicate items and warm up breads and pancakes. Depending on what you want the drawer to do, the adjustable temperature range allows the temperature to be adjusted between 30°C and 80°C. The fully extendable pull-out warming drawer allows easy access to the contents and can accommodate up to 25kg.



Striking elegance

Designed to co-ordinate with Siemens ovens and Compact45 series, the range consists of models with height of 29cm and 14cm. Both warming drawers come with a handle-free "press-and-pull" open door, which allows users to open and retract gently.

Elegance and practicality combined

Siemens built-in appliances are designed so that a warming drawer can be aligned below to appear integral to the unit. This is particularly useful when you have built-in side-by-side appliances of different height. The seamless fit of warming drawer provides a uniform appearance to both appliances and is pleasing to the eye. The additional warming drawer provides valuable storage space in a beautiful flowing style.

Warming drawer

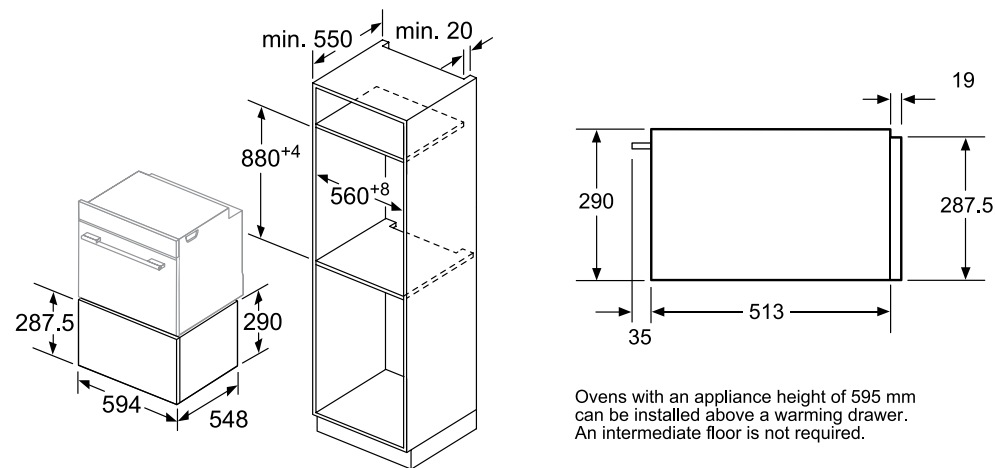


Scan code to find out more

Built-in warming drawer

BI630DNS1B

Design	<ul style="list-style-type: none"> • Heating plate made of toughened glass • Fully extendable pull out telescopic rail • Handle-free "Press-and-Pull" open door
Features	<ul style="list-style-type: none"> • Can be used for: <ul style="list-style-type: none"> - Proving yeast dough - Thawing food - Keeping food warm - Pre-warming utensils - Slow cooking • Operating indicator light
Technical Information	<ul style="list-style-type: none"> • Capacity: 52L • Loading: 25kg max. • Maximum loading: 40 plates or 192 espresso cups • Heating temperature: approx. 40°C to 80°C (glass surface temperature) • Total connected load: 0.81kW (13A)
Appliance Dimensions (H x W x D)	290 x 594 x 548mm
Cavity Dimensions (H x W x D)	242 x 468 x 458mm
Country of Origin	Slovakia
Expert Services	<ul style="list-style-type: none"> • Product consultation with unlimited product hotline inquiry • Kitchen planning consultation with pre-installation site measurement • Professional installation
Recommended Retail Price	HK\$14,800

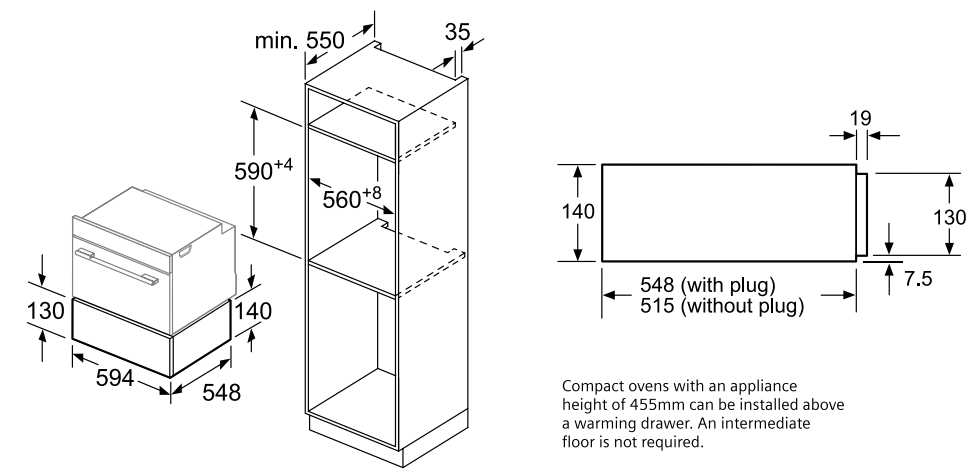


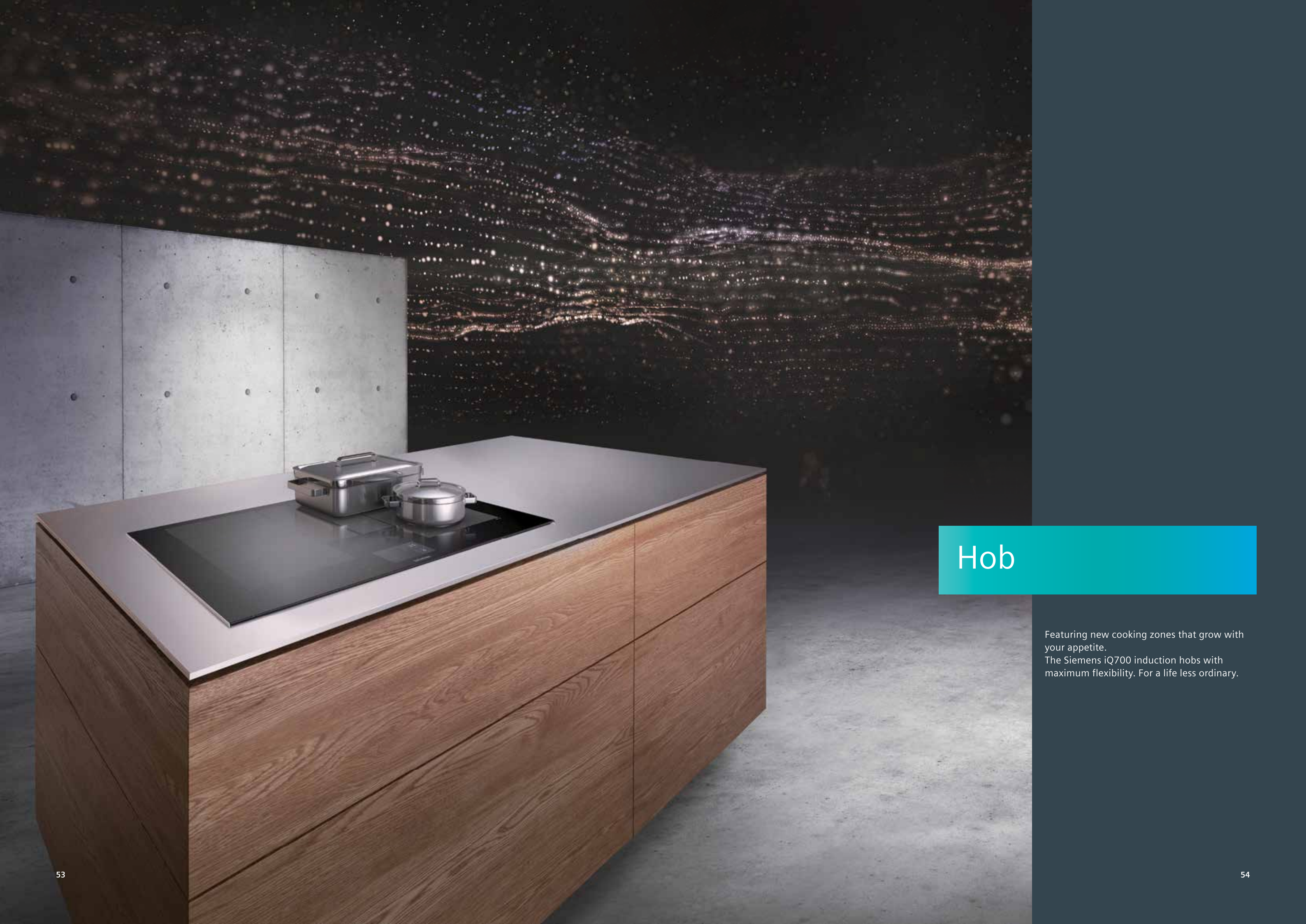
Scan code to find out more

Built-in warming drawer

BI630CNS1B

Design	<ul style="list-style-type: none"> • Heating plate made of toughened glass • Fully extendable pull out telescopic rail • Handle-free "Press-and-Pull" open door
Features	<ul style="list-style-type: none"> • Can be used for: <ul style="list-style-type: none"> - Proving yeast dough - Thawing food - Keeping food warm - Pre-warming utensils - Slow cooking • Operating indicator light
Technical Information	<ul style="list-style-type: none"> • Capacity: 20L • Loading: 25kg max. • Maximum loading: 12 plates or 64 espresso cups • Heating temperature: approx. 40°C to 80°C (glass surface temperature) • Total connected load: 0.81kW (13A)
Appliance Dimensions (H x W x D)	140 x 594 x 548mm
Cavity Dimensions (H x W x D)	92 x 468 x 458mm
Country of Origin	Slovakia
Expert Services	<ul style="list-style-type: none"> • Product consultation with unlimited product hotline inquiry • Kitchen planning consultation with pre-installation site measurement • Professional installation
Recommended Retail Price	HK\$12,800





Hob

Featuring new cooking zones that grow with your appetite. The Siemens iQ700 induction hobs with maximum flexibility. For a life less ordinary.

Flex your culinary muscles with flexInduction

flexInduction

No-compromise cooking at its best. Entertain the world's cultures with just a single surface.



Tailored to your needs

flexInduction is a must for diverse cooking. The cooking area is tailored to your needs. You can use a small area for sauce pan, or the whole strip for large cookware.

Excellent heat distribution

The innovative elongated shape of the inductors means that larger pans enjoy more evenly distributed heat, which means your dish will be beautifully and evenly cooked.

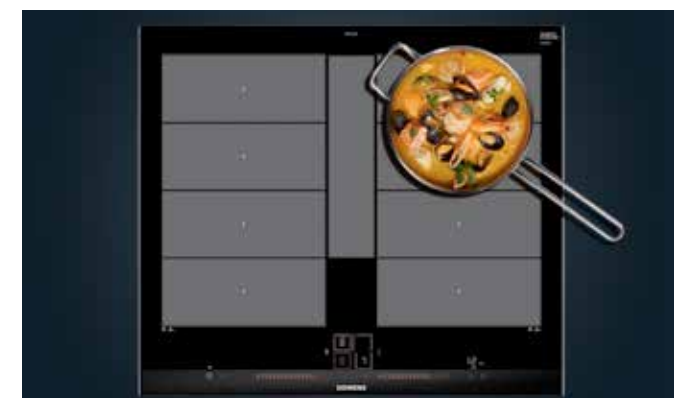
Precise, intuitive control: dual lightSlider

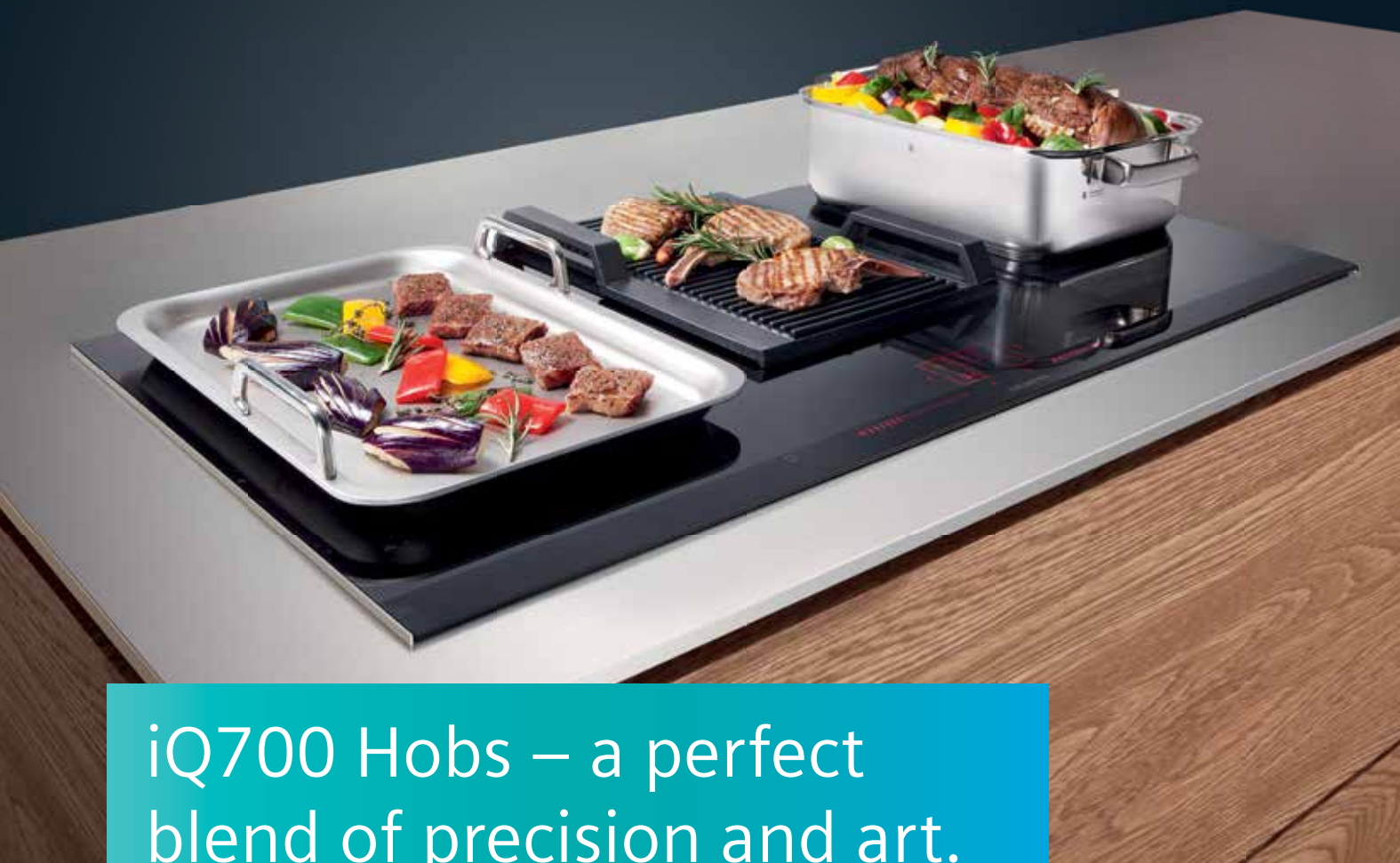
Create endless cuisine possibilities with 17 power levels that can be controlled by simply gliding your finger along our dual lightSlider. When switched off, the dual lightSlider is completely invisible.



Infinite possibilities

flexInduction hobs featuring flexInduction Plus have extra large heating zones. The additional zones automatically initiates upon sensing your cookware.

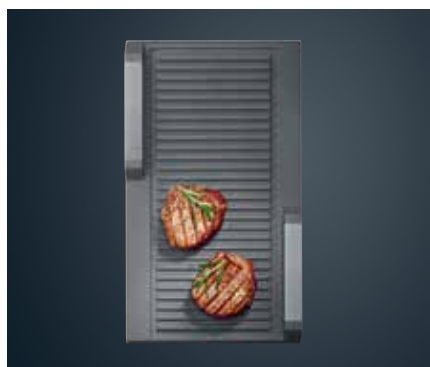




iQ700 Hobs – a perfect blend of precision and art.
flexInduction hob, complemented by the finest apparatus

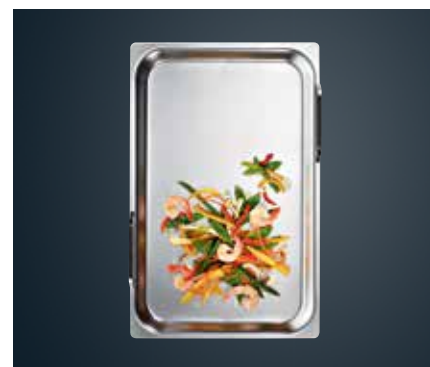
Griddle plate (HZ390522)

The griddle plate converts your hob into a grill. It is ideal for cooking meat, fish and vegetables. It also gives your steak a perfect finish.



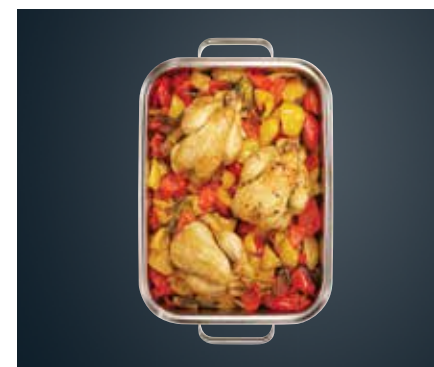
Teppan Yaki (HZ390512)

It heats up extremely quick, and requires little oil, making it great for cooking healthy stir-fries.



Stainless steel roaster with steaming rack (HZ390011, HZ390012)

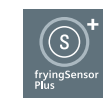
This multipurpose roaster is a must when cooking for a crowd. A removable steamer insert is available to compliment this roaster and perfect for steaming vegetables.



Glamorous yet intelligent

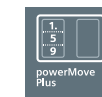
No more burning: fryingSensor Plus

Simply choose the type of food being cooked and fryingSensor Plus will apply the ideal setting. It precisely measures and maintains the temperature in the pan when the ideal frying temperature has been reached, sparing you the trouble of making manual adjustments.



Step up the heat by shifting the pan: powerMove Plus

powerMove Plus defines three different heating zones for your convenience. From roasting at highest temperatures (level 9) in the front to keeping meals warm (level 1) at the back – the individual zones are activated by simply placing the cookware on them.



Any place is the right place: flexMotion

flexMotion remembers the heat settings for individual pieces of cookware, so you can move them freely across the hob – the temperature on the new cooking zone automatically adapts.

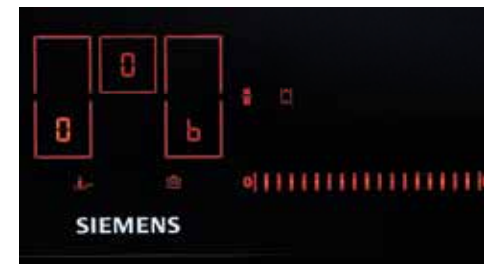


Speed, safety, efficiency and power into one.



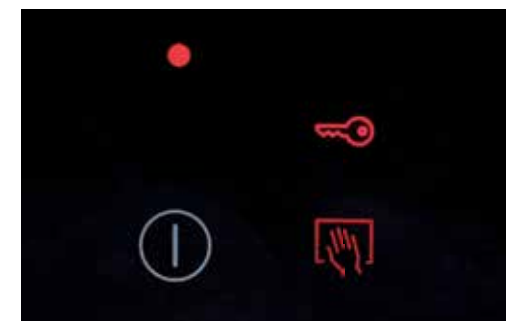
More efficient

The energy that induction generates travels straight to your pot and heats its contents, meaning that virtually no energy is wasted. As the heat arrives so quickly, you will use less energy than a conventional hob. Induction helps you to lower your carbon footprint and reduces your utility bills. You can even monitor the power used after each cooking session through our energy consumption feature.



All the power with powerBoost

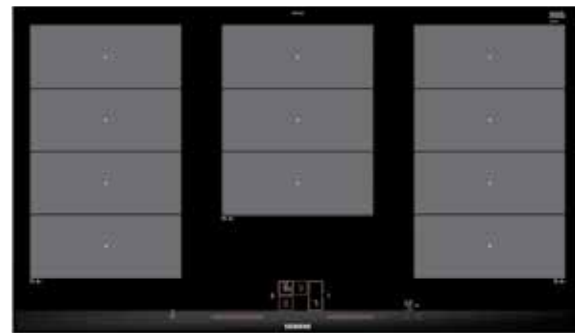
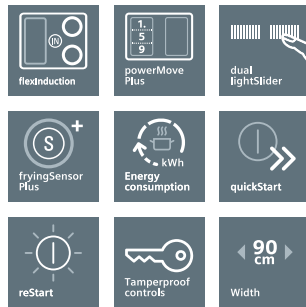
Speed. Power. Efficiency. powerBoost increases the power output of the selected zone by 50% – perfect when time is of the essence.



Minimum fuss, maximum safety

Induction hobs are easy to clean as heat is only transferred from the inductors to the cookware directly. Spillages are unlikely to burn and there is no need to wait for the glass top to cool off before wiping it over with a cloth. In addition, the control panel wide protection lock helps by locking the panel for 35 seconds to ensure no alterations are made. A safety lock can be activated to ensure the hob is not switched on accidentally.

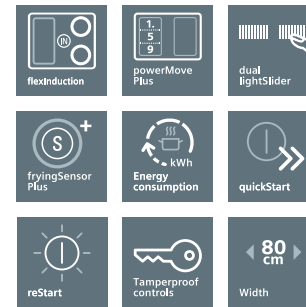
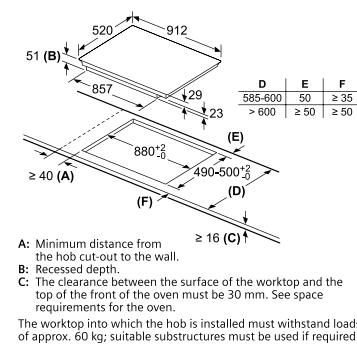
Hob



Scan code to find out more

iQ700 flexInduction Plus hob 90cm
EX975LXC1E

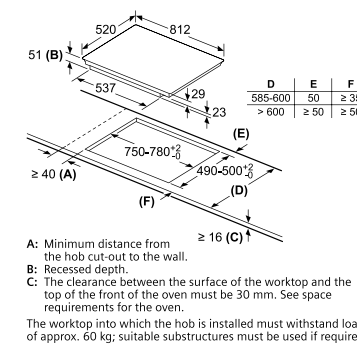
Design	<ul style="list-style-type: none"> Ceramic glass with stainless steel side trims Enable you to design your own kitchen using various kinds of hobs dual lightSlider symControl
Features	<ul style="list-style-type: none"> 3 flexInduction cooking zones 5 conventional cooking zones available 17 levels power setting powerMove Plus powerBoost for all cooking zones panBoost fryingSensor Plus for all cooking zones Automatic pan recognition quickStart reStart Energy consumption display Stopwatch Kitchen timer Shut off timer Safety time switch off Residual heat indicator for each zone Wipe protection lock Childproof lock
Technical Information	<ul style="list-style-type: none"> Cooking zone output and dimension: <ul style="list-style-type: none"> Left: 3.3kW / 3.7kW (powerBoost), 400 x 240mm; Middle: 2.6kW / 3.7kW (powerBoost), 300 x 240mm; Right: 3.3kW / 3.7kW (powerBoost), 400 x 240mm Total connected load: 11.1kW (220V / 40A** single phase or 380V / 20A three-phase connection) ** comply with international safety standard IEC 60335-2-6
Appliance Dimensions (H x W x D)	51* x 912 x 520mm *exclude glass thickness
Cut out Dimensions (W x D)	880 x 490-500mm
Min. Thickness of Worktop	16mm
Min. Ventilation Space	<ul style="list-style-type: none"> 20mm from back of the cabinet to the wall Ventilation space 820 x 45mm on back of the cabinet Gap between induction hob and underneath oven/drawer must be present
Optional Accessories	<ul style="list-style-type: none"> Connecting strip (HZ394301) Griddle Plate (HZ390522) Teppan Yaki (HZ390512) Stainless steel roaster with steaming rack (HZ390011, HZ390012)
Country of Origin	Spain
Expert Services	<ul style="list-style-type: none"> Product consultation with unlimited product hotline inquiry Kitchen planning consultation with pre-installation site measurement Professional installation
Recommended Retail Price	HK\$39,800



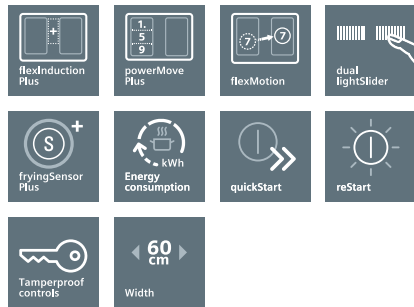
Scan code to find out more

iQ700 flexInduction hob 80cm
EX875LEC1E

Design	<ul style="list-style-type: none"> Ceramic glass with stainless steel side trims Enable you to design your own kitchen using various kinds of hobs dual lightSlider symControl
Features	<ul style="list-style-type: none"> 1 flexInduction cooking zone 1 dualZone and 1 ring zone 4 conventional cooking zones available 17 levels power setting powerMove Plus powerBoost for all cooking zones panBoost fryingSensor Plus for all cooking zones Automatic pan recognition quickStart reStart Energy consumption display Stopwatch Kitchen timer Switch off timer Safety time switch off Residual heat indicator for each zone Wipe protection lock Childproof lock
Technical Information	<ul style="list-style-type: none"> Cooking zone output and dimension: <ul style="list-style-type: none"> Left: 3.3kW / 3.7kW (powerBoost), 400 x 240mm; Middle: 2.6kW / 3.7kW (powerBoost), Ø 280mm; Right: 1.4kW / 2.2kW (powerBoost), Ø 145mm. Total connected load: 7.4kW (220V / 40A single phase or 380V / 20A three-phase connection)
Appliance Dimensions (H x W x D)	51* x 812 x 520mm *exclude glass thickness
Cut out Dimensions (W x D)	750-780 x 490-500mm
Min. Thickness of Worktop	16mm
Min. Ventilation Space	<ul style="list-style-type: none"> 20mm from back of the cabinet to the wall Ventilation space 550 x 45mm on back of the cabinet Gap between induction hob and underneath oven/drawer must be present
Optional Accessories	<ul style="list-style-type: none"> Connecting strip (HZ394301) Griddle Plate (HZ390522) Teppan Yaki (HZ390512) Stainless steel roaster with steaming rack (HZ390011, HZ390012)
Country of Origin	Spain
Expert Services	<ul style="list-style-type: none"> Product consultation with unlimited product hotline inquiry Kitchen planning consultation with pre-installation site measurement Professional installation
Recommended Retail Price	HK\$34,800



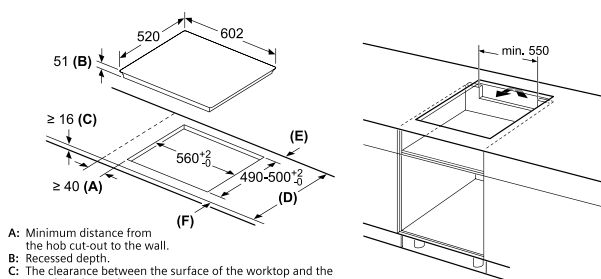
Hob



Scan code to find out more

iQ700 flexInduction Plus hob 60cm
EX675LYC1E

Design	<ul style="list-style-type: none"> Ceramic glass with stainless steel side trims Enable you to design your own kitchen using various kinds of hobs dual lightSlider symControl
Features	<ul style="list-style-type: none"> 2 flexInduction Plus cooking zones Auxiliary zone 4 conventional cooking zones available 17 levels power setting powerMove Plus flexMotion powerBoost for all cooking zones panBoost function fryingSensor Plus for all cooking zones Keep warm function Automatic pan recognition quickStart reStart Energy consumption display Stopwatch Kitchen timer Cooking timer Safety time switch off Residual heat indicator for each zone Wipe protection lock Childproof lock
Technical Information	<ul style="list-style-type: none"> Cooking zone output and dimension: <ul style="list-style-type: none"> Left: 3.3kW / 3.7kW (powerBoost), 380 x 230mm (Ø 300mm with extendable zone) Right: 3.3kW / 3.7kW (powerBoost), 380 x 230mm (Ø 300mm with extendable zone) Total connected load: 7.4kW (220V / 40A single phase or 380V / 20A three-phase connection)
Appliance Dimensions (H x W x D)	51* x 602 x 520mm <small>*exclude glass thickness</small>
Cut out Dimensions (W x D)	560 x 490-500mm
Min. Thickness of Worktop	16mm
Min. Ventilation Space	<ul style="list-style-type: none"> 20mm from back of the cabinet to the wall Ventilation space 550 x 45mm on back of the cabinet Gap between induction hob and underneath oven/drawer must be present
Optional Accessories	<ul style="list-style-type: none"> Connecting strip (HZ394301) Griddle Plate (HZ390522) Teppan Yaki (HZ390512) Stainless steel roaster with steaming rack (HZ390011, HZ390012)
Country of Origin	Spain
Expert Services	<ul style="list-style-type: none"> Product consultation with unlimited product hotline inquiry Kitchen planning consultation with pre-installation site measurement Professional installation
Recommended Retail Price	HK\$31,800

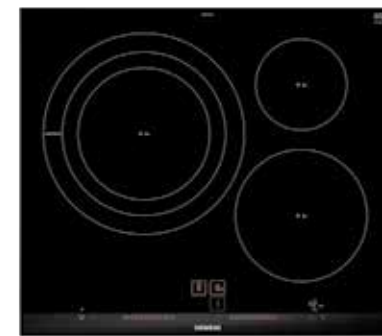
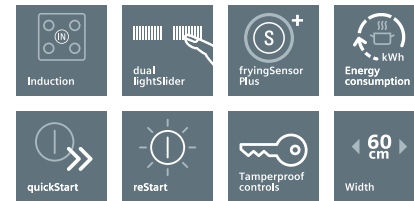


A: Minimum distance from the hob cut-out to the wall.
B: Recessed depth.
C: The clearance between the surface of the worktop and the top of the front of the oven must be 30 mm. See space requirements for the oven.
The worktop into which the hob is installed must withstand loads of approx. 60 kg; suitable substructures must be used if required.

D	E	F
585-600	50	≥ 35
> 600	≥ 50	≥ 50

For Domino combination installation, refer to Page 70. Please reserve buffer due to possible uneven cut-out rim.

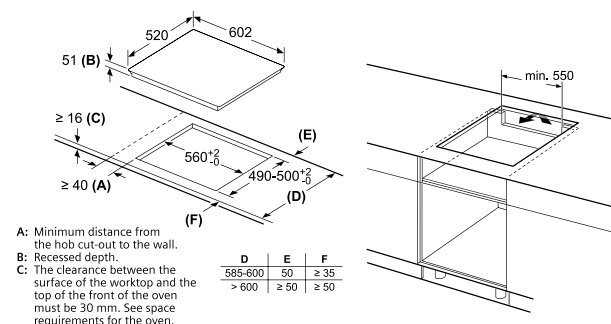
Measurements in mm



Scan code to find out more

iQ700 3-zone induction hob 60cm
EH675LDC2E

Design	<ul style="list-style-type: none"> Ceramic glass with stainless steel side trims Enable you to design your own kitchen using various kinds of hobs dual lightSlider symControl
Features	<ul style="list-style-type: none"> 1 tripleZone with maximum power 5.5kW 2 ring cooking zones 17 levels power setting powerBoost for all cooking zones panBoost function fryingSensor Plus for all cooking zones Keep warm function Automatic pan recognition quickStart reStart Energy consumption display Stopwatch Kitchen timer Cooking timer Safety time switch off Residual heat indicator for each zone Wipe protection lock Childproof lock
Technical Information	<ul style="list-style-type: none"> Cooking zone output and dimension: <ul style="list-style-type: none"> Left: 3.3kW / 5.5kW (powerBoost), Ø 320mm; Front right: 2.2kW / 3.7kW (powerBoost), Ø 210mm; Rear right: 1.4kW / 2.2kW (powerBoost), Ø 145mm Total connected load: 7.4kW (220V / 40A single phase or 380V / 20A three-phase connection)
Appliance Dimensions (H x W x D)	51* x 602 x 520mm <small>*exclude glass thickness</small>
Cut out Dimensions (W x D)	560 x 490-500mm
Min. Thickness of Worktop	16mm
Min. Ventilation Space	<ul style="list-style-type: none"> 20mm from back of the cabinet to the wall Ventilation space 550 x 45mm on back of the cabinet Gap between induction hob and underneath oven / drawer must be present
Optional Accessory	Connecting strip (HZ394301)
Country of Origin	Spain
Expert Services	<ul style="list-style-type: none"> Product consultation with unlimited product hotline inquiry Kitchen planning consultation with pre-installation site measurement Professional installation
Recommended Retail Price	HK\$21,800



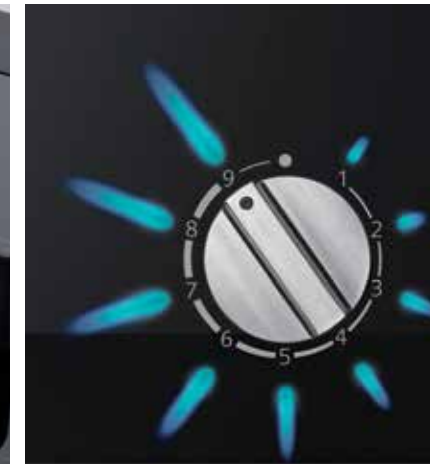
A: Minimum distance from the hob cut-out to the wall.
B: Recessed depth.
C: The clearance between the surface of the worktop and the top of the front of the oven must be 30 mm. See space requirements for the oven.
The worktop into which the hob is installed must withstand loads of approx. 60 kg; suitable substructures must be used if required.

D	E	F
585-600	50	≥ 35
> 600	≥ 50	≥ 50

For Domino combination installation, refer to Page 70. Please reserve buffer due to possible uneven cut-out rim.

Measurements in mm

Nine steps to cooking on a higher level



Discover more about
stepFlame Technology

Siemens presents: The new Gas Cooktops with stepFlame Technology

No more leaning over to check the flame size, no more hoping that it is at the right heat level. All this guesswork has been removed from cooking with gas. From now on, whatever level you choose – you'll get exactly the heat and the flame size you need. Just as easy to operate as it sounds. That is stepFlame Technology: A groundbreaking innovation to precisely control the flame. Your meals will be delicious, and your guests will be delighted.

Favourite way to Asian specialties: Up to 6.0kW gas hob with inner flame

With the wok burner gas hob, the high temperature can be reached in seconds to ensure food color is maintained and meat is still tender and juicy. In addition, the center flame in the inner ring can be adjusted according to every different need.

Domino hobs. Cook your own way

The modular domino hobs give you the freedom to design your own cooking center. Use Siemens domino range to prepare different cuisines to suit different cultures. Available for choice, is a combination of built-in gas, induction or Teppan Yaki. They can be built-in separately, combined together or linked to full size induction and gas hobs of the same styling.

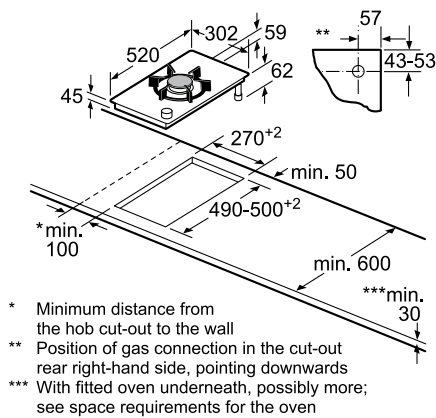
Hob



Scan code to find out more

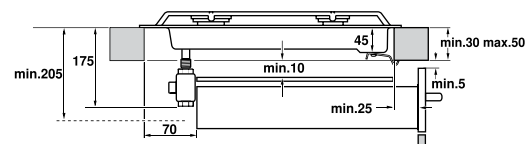
Domino town gas wok burner
ER3A6AB70X

Design	Enable you to design your own cooking centre using various kinds of hobs
Features	<ul style="list-style-type: none"> • Dual circuit wok burner • stepFlame technology: 9 levels of accuracy for cooking • Dishwasher proof pan support • Convenient sword knob • Individual control of inner and outer flame • One hand ignition • Electrical spark ignition • Flame failure safety device
Technical Information	<ul style="list-style-type: none"> • Preset Town gas • Burner output 5.0kW (max) • Total connected load 1.1W (13A plug)
Appliance Dimensions (H x W x D)	62 (exclude glass thickness, include gas connector) x 302 x 520mm
Cut out Dimensions (W x D)	270 x 490-500mm
Min. Thickness of Worktop	30mm
Supplied Accessories	<ul style="list-style-type: none"> • Dishwasher proof cast iron wok ring support • External gas governor
Optional Accessory	Connection strip (HZ394301)
Country of Origin	Spain
Expert Services	<ul style="list-style-type: none"> • Product consultation with unlimited product hotline inquiry • Kitchen planning consultation with pre-installation site measurement • Professional installation
Recommended Retail Price	HK\$13,400

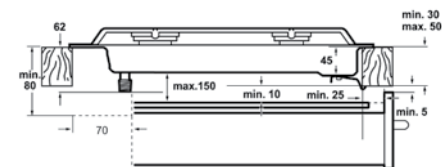


* Minimum distance from the hob cut-out to the wall
 ** Position of gas connection in the cut-out rear right-hand side, pointing downwards
 *** With fitted oven underneath, possibly more; see space requirements for the oven

For fixed connection of governor



For connection using flexible gas tubing

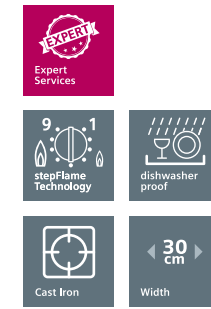


Distance from the top of pan support to worktop is approximately 59mm.

For Domino combination installation, refer to Page 70.

Please reserve buffer due to possible uneven cut-out rim. Please observe minimum vertical safety distance between cooker hood and hob: 650mm

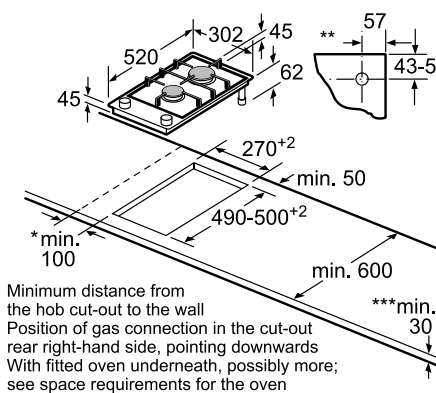
Measurements in mm



Scan code to find out more

Domino town gas double burner
ER3A6BB70X

Design	Enable you to design your own cooking centre using various kinds of hobs								
Features	<ul style="list-style-type: none"> • 2 single circuit burners • stepFlame technology: 9 levels of accuracy for cooking • Dishwasher proof pan support • Convenient sword knobs • One hand ignition • Electrical spark ignition • Flame failure safety device 								
Technical Information	<ul style="list-style-type: none"> • Preset Town gas • Burner output <table border="1"> <thead> <tr> <th>Burner</th> <th>Output (kW) (max)</th> </tr> </thead> <tbody> <tr> <td>Front – standard burner</td> <td>1.9</td> </tr> <tr> <td>Rear – rapid speed burner</td> <td>2.8</td> </tr> <tr> <td>Total</td> <td>4.7</td> </tr> </tbody> </table> <ul style="list-style-type: none"> • Total connected load 1.1W (13A plug) 	Burner	Output (kW) (max)	Front – standard burner	1.9	Rear – rapid speed burner	2.8	Total	4.7
Burner	Output (kW) (max)								
Front – standard burner	1.9								
Rear – rapid speed burner	2.8								
Total	4.7								
Appliance Dimensions (H x W x D)	62 (exclude glass thickness, include gas connector) x 302 x 520mm								
Cut out Dimensions (W x D)	270 x 490-500mm								
Min. Thickness of Worktop	30mm								
Supplied Accessory	External gas governor								
Optional Accessory	Connecting strip (HZ394301)								
Country of Origin	Spain								
Expert Services	<ul style="list-style-type: none"> • Product consultation with unlimited product hotline inquiry • Kitchen planning consultation with pre-installation site measurement • Professional installation 								
Recommended Retail Price	HK\$12,800								



* Minimum distance from the hob cut-out to the wall
 ** Position of gas connection in the cut-out rear right-hand side, pointing downwards
 *** With fitted oven underneath, possibly more; see space requirements for the oven

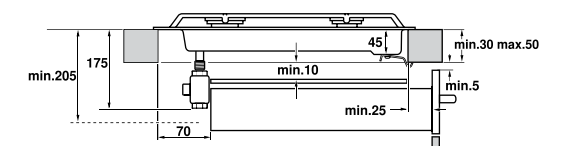
Distance from the top of pan support to worktop is approximately 45mm.

For Domino combination installation, refer to Page 70.

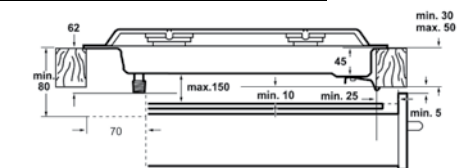
Please reserve buffer due to possible uneven cut-out rim. Please observe minimum vertical safety distance between cooker hood and hob: 650mm

Measurements in mm

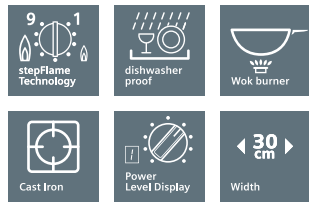
For fixed connection of governor



For connection using flexible gas tubing



Hob



Scan code to find out more

Domino LPG wok burner
ER3A6AD70L

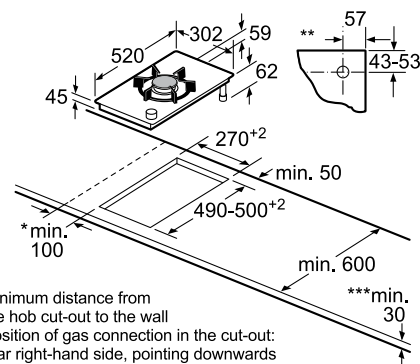
Design	Enable you to design your own cooking centre using various kinds of hobs
Features	<ul style="list-style-type: none"> • Dual circuit wok burner • stepFlame technology: 9 levels of accuracy for cooking • Power level display • 2 stage residual heat indicator • Convenient sword knob • Dishwasher proof pan support • Individual control of inner and outer flame • One hand ignition • Electrical spark ignition • Flame failure safety device
Technical Information	<ul style="list-style-type: none"> • Preset LPG • Burner output 6.0kW (max) • Total connected load 2.0W (13A)
Appliance Dimensions (H x W x D)	62 (exclude glass thickness, include gas connector) x 302 x 520mm
Cut out Dimensions (W x D)	270 x 490-500mm
Min. Thickness of Worktop	30mm
Supplied Accessory	Dishwasher proof cast iron wok ring support
Optional Accessory	Connection strip (HZ394301)
Country of Origin	Spain
Expert Services	<ul style="list-style-type: none"> • Product consultation with unlimited product hotline inquiry • Kitchen planning consultation with pre-installation site measurement • Professional installation
Recommended Retail Price	HK\$13,400



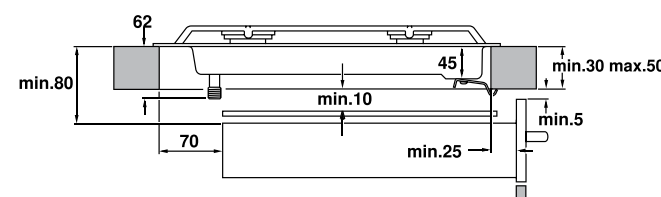
Scan code to find out more

Domino LPG double burner
ER3A6BD70L

Design	Enable you to design your own cooking centre using various kinds of hobs								
Features	<ul style="list-style-type: none"> • 2 single circuit burners • stepFlame technology: 9 levels of accuracy for cooking • Power level display • 2 stage residual heat indicators • Convenient sword knobs • Dishwasher proof pan support • One hand ignition • Electrical spark ignition • Flame failure safety device 								
Technical Information	<ul style="list-style-type: none"> • Preset LPG • Burner output <table border="1"> <thead> <tr> <th>Burner</th> <th>Output (kW) (max)</th> </tr> </thead> <tbody> <tr> <td>Front – standard burner</td> <td>1.9</td> </tr> <tr> <td>Rear – rapid speed burner</td> <td>2.8</td> </tr> <tr> <td>Total</td> <td>4.7</td> </tr> </tbody> </table> <ul style="list-style-type: none"> • Total connected load 2.0W (13A) 	Burner	Output (kW) (max)	Front – standard burner	1.9	Rear – rapid speed burner	2.8	Total	4.7
Burner	Output (kW) (max)								
Front – standard burner	1.9								
Rear – rapid speed burner	2.8								
Total	4.7								
Appliance Dimensions (H x W x D)	62 (exclude glass thickness, include gas connector) x 302 x 520mm								
Cut out Dimensions (W x D)	270 x 490-500mm								
Min. Thickness of Worktop	30mm								
Optional Accessory	Connecting strip (HZ394301)								
Country of Origin	Spain								
Expert Services	<ul style="list-style-type: none"> • Product consultation with unlimited product hotline inquiry • Kitchen planning consultation with pre-installation site measurement • Professional installation 								
Recommended Retail Price	HK\$12,800								



* Minimum distance from the hob cut-out to the wall
 ** Position of gas connection in the cut-out: rear right-hand side, pointing downwards
 *** With fitted oven underneath, possibly more; see space requirements for the oven

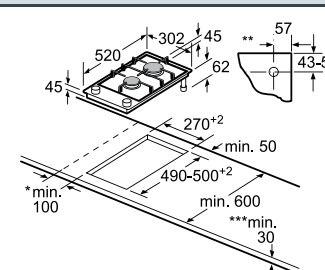


Distance from the top of pan support to worktop is approximately 59mm.

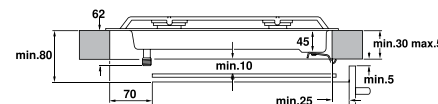
For Domino combination installation, refer to Page 70.

Please reserve buffer due to possible uneven cut-out rim. Please observe minimum vertical safety distance between cooker hood and hob: 650mm

Measurements in mm



* Minimum distance from the hob cut-out to the wall
 ** Position of gas connection in the cut-out: rear right-hand side, pointing downwards
 *** With fitted oven underneath, possibly more; see space requirements for the oven

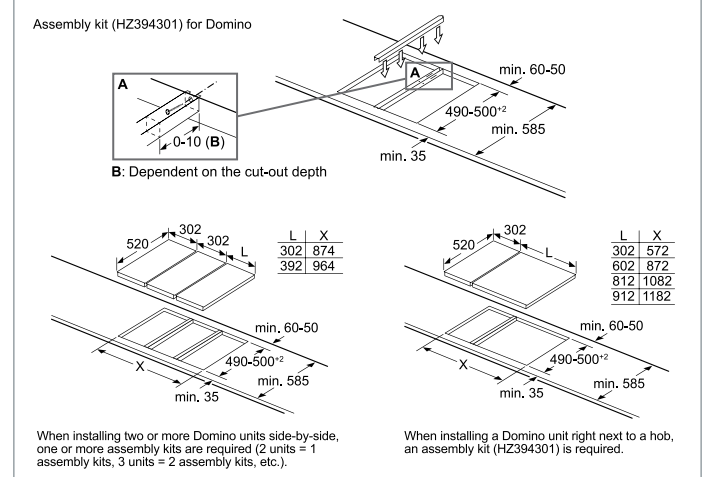


Distance from the top of pan support to worktop is approximately 45mm.

Please reserve buffer due to possible uneven cut-out rim. Please observe minimum vertical safety distance between cooker hood and hob: 650mm

Measurements in mm

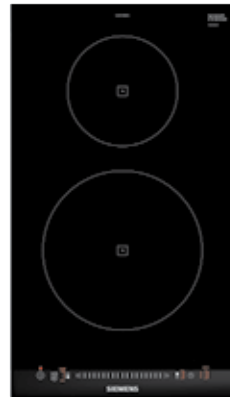
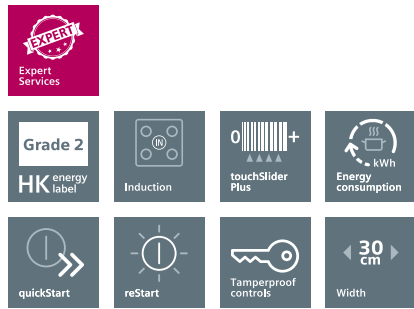
For Domino combination installation



When installing two or more Domino units side-by-side, one or more assembly kits are required (2 units = 1 assembly kits, 3 units = 2 assembly kits, etc.).

When installing a Domino unit right next to a hob, an assembly kit (HZ394301) is required.

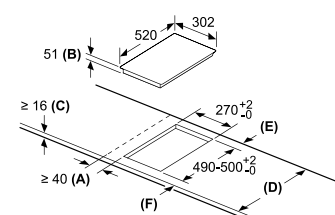
Hob



Scan code to find out more

Domino 2-zone induction hob
EH375FBB1E

Design	<ul style="list-style-type: none"> Ceramic glass with stainless steel side trims Enable you to design your own kitchen using various kinds of hobs touchSlider Plus
Features	<ul style="list-style-type: none"> 2 ring cooking zones 17 levels power setting powerBoost for all cooking zones Automatic pan recognition reStart quickStart Energy consumption display Stopwatch Kitchen timer Switch off timer Safety time switch off Residual heat indicator for each zone Wipe protection lock Childproof lock
Technical Information	<ul style="list-style-type: none"> Cooking zone output and dimension: Front: 2.2kW / 3.7kW (powerBoost), Ø 210mm; Rear: 1.4kW / 2.2kW (powerBoost), Ø 145mm. Maximum connected load: 3.7kW* (220V / 20A single phase connection) <p style="text-align: right;">*Nominal connected load:3.6kW</p>
Appliance Dimensions (H x W x D)	51* x 302 x 520mm *exclude glass thickness
Cut out Dimensions (W x D)	270 x 490-500mm
Min. Thickness of Worktop	16mm
Min. Ventilation Space	<ul style="list-style-type: none"> 20mm from back of the cabinet to the wall Ventilation space 250 x 45mm on back of the cabinet Gap between induction hob and underneath oven/drawer must be present
Optional Accessory	Connection strip (HZ394301)
Country of Origin	Spain
Expert Services	<ul style="list-style-type: none"> Product consultation with unlimited product hotline inquiry Kitchen planning consultation with pre-installation site measurement Professional installation
Recommended Retail Price	HK\$18,300



A: Minimum distance from the hob cut-out to the wall.
B: Recessed depth.
C: The clearance between the surface of the worktop and the top of the front of the oven must be 30 mm. See space requirements for the oven.
The worktop into which the hob is installed must withstand loads of approx. 60 kg; suitable substructures must be used if required.

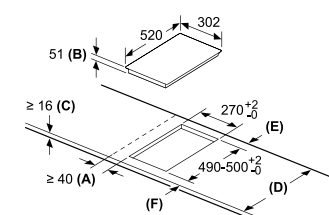
D	E	F
585-600	50	≥ 35
> 600	≥ 50	≥ 50



Scan code to find out more

iQ700 Domino flexInduction hob
EX375FXB1E

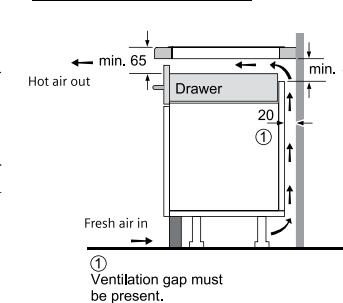
Design	<ul style="list-style-type: none"> Ceramic glass with stainless steel side trims Enable you to design your own kitchen using various kinds of hobs touchSlider Plus
Features	<ul style="list-style-type: none"> 1 flexInduction cooking zone 2 conventional cooking zones available 17 levels power setting powerMove Plus powerBoost for all cooking zones Automatic pan recognition quickStart reStart Energy consumption display Stopwatch Kitchen timer Switch off timer Safety time switch off Residual heat indicator for each zone Wipe protection lock Childproof lock
Technical Information	<ul style="list-style-type: none"> Cooking zone output and dimension: 3.3kW / 3.7kW (powerBoost), 400 x 210mm Maximum connected load: 3.7kW* (220V / 20A single phase connection) <p style="text-align: right;">*Nominal connected load:3.6kW</p>
Appliance Dimensions (H x W x D)	51* x 302 x 520mm *exclude glass thickness
Cut out Dimensions (W x D)	270 x 490-500mm
Min. Thickness of Worktop	16mm
Min. Ventilation Space	<ul style="list-style-type: none"> 20mm from back of the cabinet to the wall Ventilation space 250 x 45mm on back of the cabinet Gap between induction hob and underneath oven/drawer must be present
Optional Accessories	<ul style="list-style-type: none"> Connecting strip (HZ394301) Giddle Plate (HZ390522) Teppan Yaki (HZ390512) Stainless steel roaster with steaming rack (HZ390011, HZ390012)
Country of Origin	Spain
Expert Services	<ul style="list-style-type: none"> Product consultation with unlimited product hotline inquiry Kitchen planning consultation with pre-installation site measurement Professional installation
Recommended Retail Price	HK\$21,300



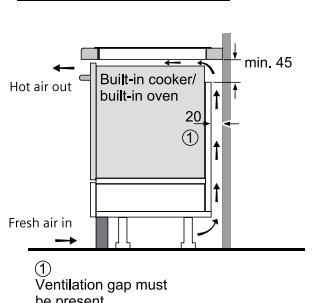
A: Minimum distance from the hob cut-out to the wall.
B: Recessed depth.
C: The clearance between the surface of the worktop and the top of the front of the oven must be 30 mm. See space requirements for the oven.
The worktop into which the hob is installed must withstand loads of approx. 60 kg; suitable substructures must be used if required.

D	E	F
585-600	50	≥ 35
> 600	≥ 50	≥ 50

Induction hob over a drawer



Induction hob over an oven





Hood

Siemens hoods are designed to impress. Developed for a life less ordinary.



Excellent control with stunning look



The new iQ700 cooker hood comes with the touchControl interface, all functions can be intuitively selected.

The air in the kitchen stays clean and fresh, no matter what you're cooking. The high-performance iQ700 hoods are both wear-resistant and pleasantly silent – thanks to the frictionless iQdrive motor. With cleanAir, it neutralises up to 95% of all cooking fumes while the air quality sensor enables it to automatically adapt the venting performance precisely as required. In addition, selected hoods are equipped with metal filters which can absorb more than 90% of the fat from the cooking fumes and convinces with its modern design.



Quiet, durable and enhanced performance

All our hoods now come with a frictionless, brushless magnetic motor - iQDrive. It reduces energy consumption, operating noise and wear and tear arising from daily usage. Siemens has full confidence in its motor and offers a 10-year warranty on our iQDrive.



Sleek designs allied with seriously innovative technology

Our chimney hoods are perfect for modern kitchens. All iQ700 hoods are designed to match our iQ700 ovens and hobs.

All our hoods come fully fitted with a number of features and benefits



Powerful speed level

Siemens hoods have made very high air flow speed possible together with the fact that the grease vapour is filtered directly via an air passage, maximum extraction rate can be achieved. In addition, selected hoods are equipped with metal filters which can absorb more than 90% of the fat from the cooking fumes and convinces with its modern design while the grease filters can be placed into the dishwasher for cleaning.

Precise control

Our wall mounted and island hoods offer 3 speed levels and 2 intensive settings which means more precise and accurate extraction levels suited to your cuisine choice and cooking style.

climateControl sensor

An intelligent climateControl sensor automatically adjusts the hood power level according to the level of steam and odour, which leads to a pleasant ambience in the kitchen. When activated, this precision both minimizes noise levels and also saves electricity, as the hood never uses more energy than is required at the time.



An illuminating experience

Siemens hoods offer excellent illumination of the hob space underneath. All our hoods feature bright, long-lasting and super energy efficient LED lights, using even less energy than a single low-voltage halogen light.

Dimmer light function

Enjoy atmospheric lighting with different levels of brightness using our dimmer light function.



Filter saturation:

Ensure maximum performance

By keeping up-to-date on maintenance information

The Home Connect App enables you to comfortably take a look at the status of the grease filter and the carbon filter in your hood.

It automatically remind you when you need to clean, exchange or regenerate them in order to ensure maximum performance of your hood at any time.



Hood

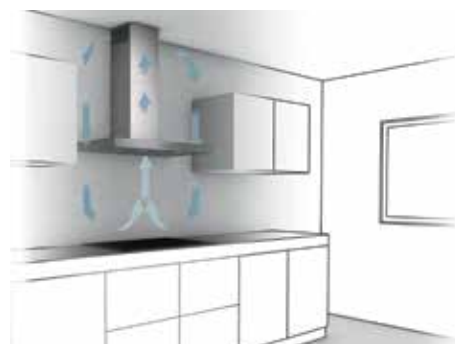


Scan code to find out more

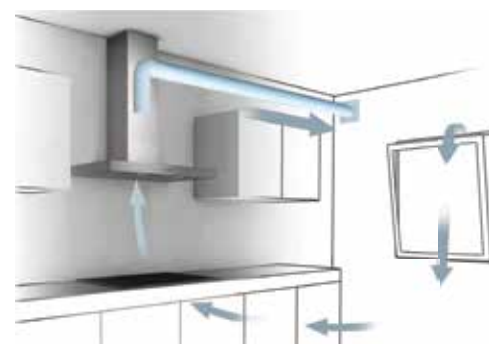
90cm ceiling mounted hood LR97CAQ50

Design	<ul style="list-style-type: none"> LED display Radio remote control 	<ul style="list-style-type: none"> LED light Dimmer light with soft light function
Features	<ul style="list-style-type: none"> Exhaust or re-circulate air operation 3 speed levels 2 intensive setting Intensive setting with automatic reset facility 	<ul style="list-style-type: none"> 10 minutes run-on program Saturation indicator for metal filter Rim ventilation
Technical Information	<ul style="list-style-type: none"> Extraction capacity 798m³/h (EN 61591) Total connected load 174W (13A plug) Tube connection diameter 150mm 	
Appliance Dimensions (H x W x D)	299 x 900 x 500mm	
Cut out Dimensions (Exhaust operation) (H x W x D)	299 x 888 x 487mm	
Supplied Accessory	2 dishwasher-safe brushed steel filters	
Optional Accessories	<ul style="list-style-type: none"> cleanAir Recirculation kit (LZ20JCD50) cleanAir Regenerative Charcoal Filter for LZ20JCD50 (LZ00XXP00)* <p>* Maximum 10 years lifespan: the regenerative filter can be generated up to 30 times, regeneration should be carried out in an oven at 200°C for 2 hours every 4 months with normal daily use of approximately 1 hour.</p>	
Country of Origin	Germany	
Expert Services	<ul style="list-style-type: none"> Product consultation with unlimited product hotline inquiry Kitchen planning consultation with pre-installation site measurement Professional installation 	
Recommended Retail Price	HK\$26,800	

For optimum performance, your extractor hood should be ducted to the outside of the house, so that the extracted air is vented outside. But sometimes, this is not practical. Therefore, all Siemens hoods can also operate in the re-circulating mode; where the air is passed through the metal filter to remove grease, and then through a carbon filter to remove odours before being directed back into the kitchen.



Re-circulate mode*



Exhaust mode

* Note: Sufficient ventilation space is required for re-circulating mode

The fan outlet can be turned in all four directions

Never fit directly onto plasterboard or similar lightweight construction materials of the suspended ceiling. A suitable substructure is required that is securely fixed to the concrete ceiling.

Exhaust operation

A: Optimal Performance 700-1500
* from upper edge of pan support (gas hob)

Re-circulate air operation

A: Optimal Performance 700-1500
B: From upper edge of pan support
C: The distance can be reduced by up to 70mm provided that the height of the suspended ceiling is min. 340mm

A: Optimal Performance 700-1500
* from upper edge of pan support (gas hob)

Installation with cleanAir Recirculation Kit

* The pipe connecting the hood and the recirculation kit is not included.

Measurements in mm

Hood

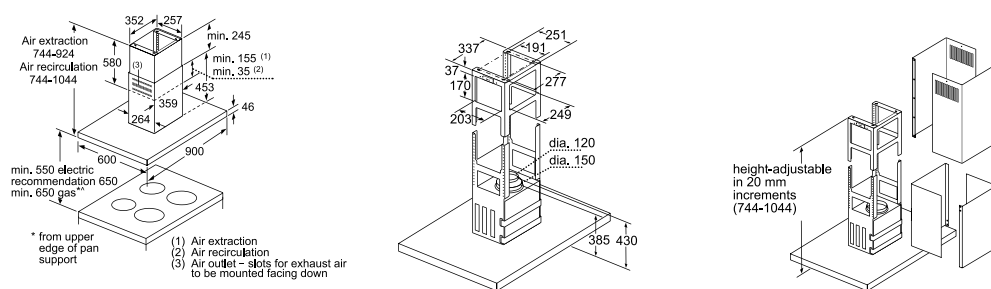


Scan code to find out more

90cm island chimney hood

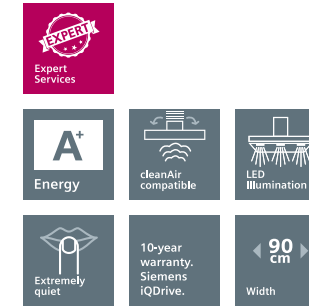
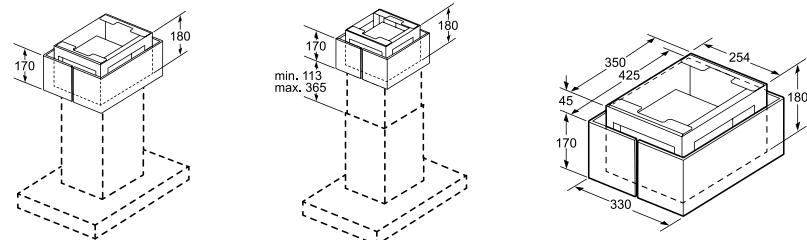
LF91BUV50B

Design	<ul style="list-style-type: none"> • Dimmer light with soft light function • Electronic touch slider control with LED display 	<ul style="list-style-type: none"> • LED light
Features	<ul style="list-style-type: none"> • Exhaust or re-circulate air operation • 3 speed levels • 2 intensive settings • Intensive setting with automatic reset facility 	<ul style="list-style-type: none"> • 10 minutes run-on program • Saturation indicator for metal filter • Climate Control Sensor
Technical Information	<ul style="list-style-type: none"> • Extraction capacity 980m³/h (EN 61591) • Total connected load 266W (13A plug) • Tube connection diameter 120 or 150mm 	
Appliance Dimensions (Exhaust operation) (H x W x D)	744-924 x 898 x 600mm	
Appliance Dimensions (Re-circulate air operation) (H x W x D)	744-1,044 x 898 x 600mm	
Supplied Accessory	3 dishwasher-safe brushed-steel filters	
Optional Accessories	<ul style="list-style-type: none"> • Charcoal Recirculating Kit (LZ12CBI14) • Charcoal Filter, for LZ12CBI14 (LZ32CBB14) • cleanAir Recirculation Kit (LZ22CX56) 	<ul style="list-style-type: none"> • cleanAir Regenerative Charcoal Filter* for LZ22CX56 (LZ00XP00)
	* Maximum 10 years lifespan: the regenerative filter can be generated up to 30 times, regeneration should be carried out in an oven at 200°C for 2 hours every 4 months with normal daily use of approximately 1 hour.	
Country of Origin	Germany	
Expert Services	<ul style="list-style-type: none"> • Product consultation with unlimited product hotline inquiry • Kitchen planning consultation with pre-installation site measurement • Professional installation 	
Recommended Retail Price	HK\$30,800	



^ This complies with safety standard, IEC 60335-2-31 clause 7.12.1

Installation with cleanAir Recirculation Kit

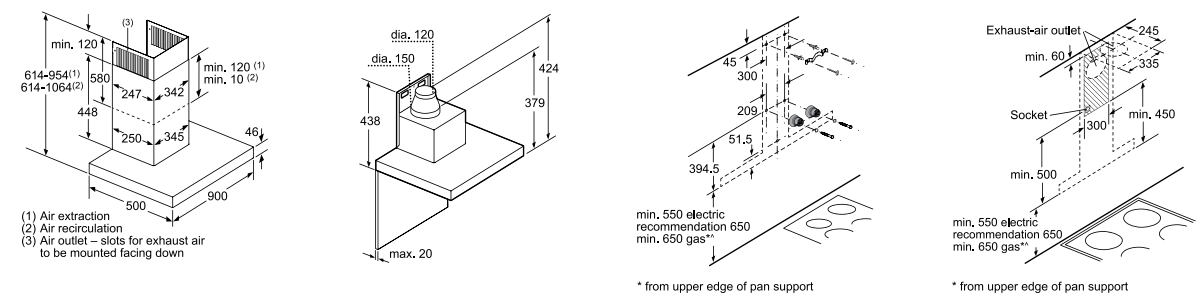


Scan code to find out more

90cm wall mounted chimney hood

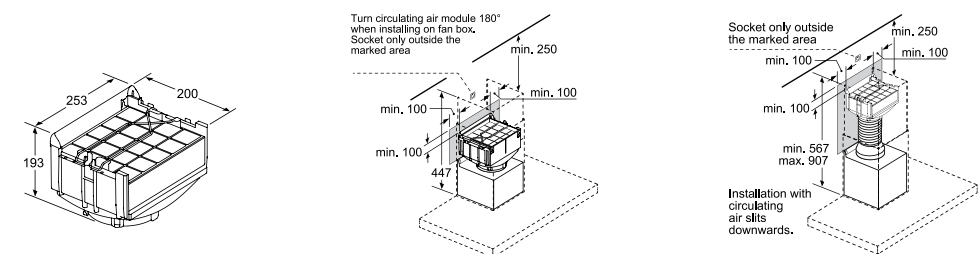
LC91BUR50B

Design	<ul style="list-style-type: none"> • Electronic touch control with LED display • LED light 	<ul style="list-style-type: none"> • Dimmer light with soft light function
Features	<ul style="list-style-type: none"> • Exhaust or re-circulate air operation • 3 speed levels • 2 intensive settings 	<ul style="list-style-type: none"> • Intensive setting with automatic reset facility • 10 minutes run-on program • Saturation indicator for metal filter
Technical Information	<ul style="list-style-type: none"> • Extraction capacity 965m³/h (EN 61591) • Total connected load 265W (13A plug) • Tube connection diameter 120 or 150mm 	
Appliance Dimensions (Exhaust operation) (H x W x D)	614-954 x 898 x 500mm	
Appliance Dimensions (Re-circulate air operation) (H x W x D)	614-1,064 x 898 x 500mm	
Supplied Accessory	3 dishwasher-safe brushed steel filters	
Optional Accessories	<ul style="list-style-type: none"> • Charcoal Recirculating Kit (LZ12CBI14) • Charcoal Filter, for LZ12CBI14 (LZ32CBB14) • Integrated cleanAir Recirculation Kit (LZ10FXJ05) 	<ul style="list-style-type: none"> • cleanAir Regenerative Charcoal Filter* for LZ10FXJ05 (LZ00XP00)
	* Maximum 10 years lifespan: the regenerative filter can be generated up to 30 times, regeneration should be carried out in an oven at 200°C for 2 hours every 4 months with normal daily use of approximately 1 hour.	
Country of Origin	Germany	
Expert Services	<ul style="list-style-type: none"> • Product consultation with unlimited product hotline inquiry • Kitchen planning consultation with pre-installation site measurement • Professional installation 	
Recommended Retail Price	HK\$16,800	



^ This complies with safety standard, IEC 60335-2-31 clause 7.12.1

Installation with integrated cleanAir Recirculation Kit



Hood



Scan code to find out more

90cm telescopic hood

LI97SA531B

Design	<ul style="list-style-type: none"> • Push button controls with electronic display • LED light
Features	<ul style="list-style-type: none"> • Exhaust or re-circulate air operation • Frictionless iQdrive motor • 3 speed levels • 1 intensive setting • Intensive setting with automatic reset facility • 10 minutes run-on program
Technical Information	<ul style="list-style-type: none"> • Extraction capacity 728m³/h (EN 61591) • Total connected load 146W (13A plug) • Tube connection diameter 120 or 150mm
Appliance Dimensions (H x W x D)	426 x 898 x 290mm
Supplied Accessories	<ul style="list-style-type: none"> • 3 dishwasher-safe brushed steel filters • Stainless steel handle strip with brand logo
Optional Accessories	<ul style="list-style-type: none"> • Recirculating kit (LZ12IT14) • Charcoal filter for recirculating kit (LZ12ITB14) • Installation kit for 90cm wall unit (LZ49200) • Lowering frame for 90cm wall unit (LZ49601)
Country of Origin	Germany
Expert Services	<ul style="list-style-type: none"> • Product consultation with unlimited product hotline inquiry • Kitchen planning consultation with pre-installation site measurement • Professional installation
Recommended Retail Price	HK\$11,300



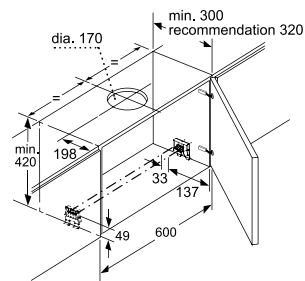
Scan code to find out more

60cm telescopic hood

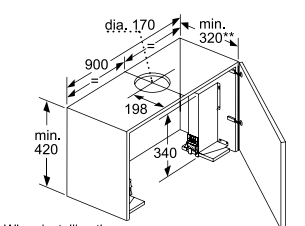
LI67SA531B

Design	<ul style="list-style-type: none"> • Push button controls with electronic display • LED light
Features	<ul style="list-style-type: none"> • Exhaust or re-circulate air operation • Frictionless iQdrive motor • 3 speed levels • 1 intensive setting • Intensive setting with automatic reset facility • 10 minutes run-on program
Technical Information	<ul style="list-style-type: none"> • Extraction capacity 728m³/h (EN 61591) • Total connected load 144W (13A plug) • Tube connection diameter 120 or 150mm
Appliance Dimensions (H x W x D)	426 x 598 x 290mm
Supplied Accessories	<ul style="list-style-type: none"> • 2 dishwasher-safe brushed steel filters • Stainless steel handle strip with brand logo
Optional Accessories	<ul style="list-style-type: none"> • Recirculating kit (LZ12IT14) • Charcoal filter for recirculating kit (LZ12ITB14) • Lowering frame (LZ46600)
Country of Origin	Germany
Expert Services	<ul style="list-style-type: none"> • Product consultation with unlimited product hotline inquiry • Kitchen planning consultation with pre-installation site measurement • Professional installation
Recommended Retail Price	HK\$10,300

Installation with 600mm cupboard

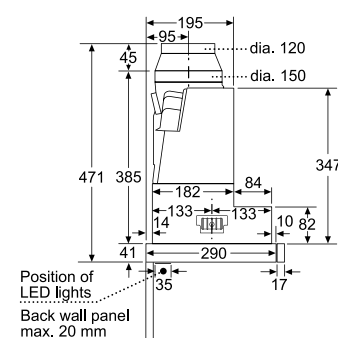


Installation with 900mm cupboard

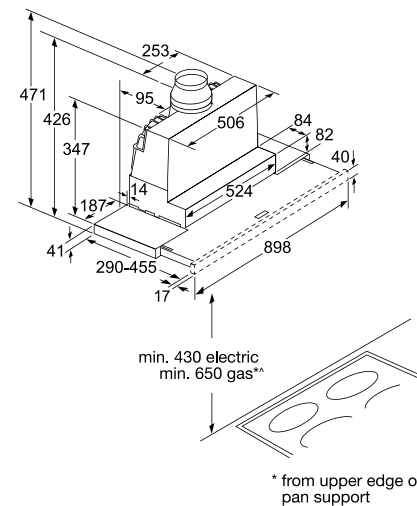


When installing the 90cm telescopic hood in a 90cm wide wall-hanging cupboard, the mounting kit LZ49200 is required. The two mounting brackets are screwed onto the right and left of the kitchen unit. Installation in accordance with template.

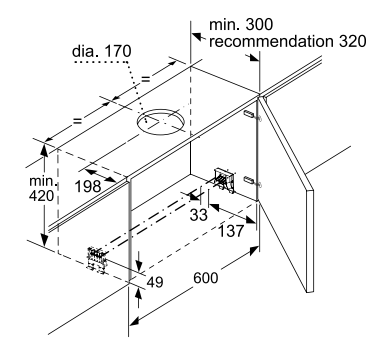
** min. 350 with lowering frame (LZ49601)



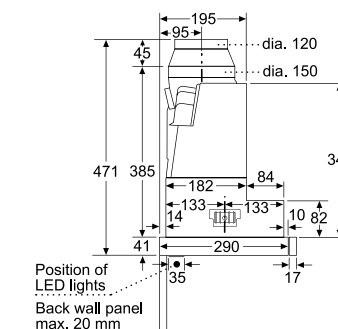
Position of LED lights
Back wall panel max. 20 mm



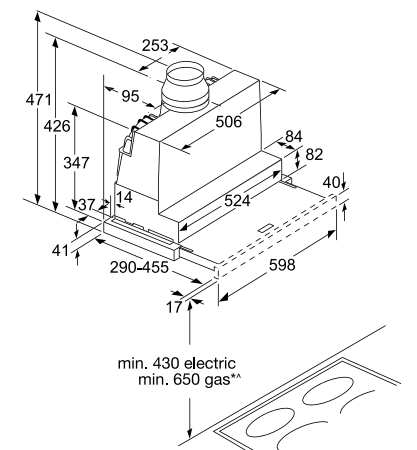
* from upper edge of pan support



** min. 350 with lowering frame (LZ46600)



Position of LED lights
Back wall panel max. 20 mm



* from upper edge of pan support



Cooling

Life outside, freshness at home. Siemens cooling appliance keeps your food at its best for longer while saving time and energy. Siemens freshness system with iSensoric technology enables a full range of freshness-features that keeps food at its optimum temperature.

Fresh, fresher, hyperFresh.

Reduce food wastage and take control of what you eat and when, with hyperFresh.

hyperFresh premium 0°C.

Fresh for up to three times longer.

Enjoy fresher food for up to three times longer, thanks to hyperFresh premium 0°C. With the 0°C drawer, fish and meat can also be stored in the perfect temperature.



hyperFresh. Enjoy freshness longer.

The rippled bottom allows cool air to circulate around your fruit and vegetables easily. As a result, you can see the quality and feel the freshness.



hyperFresh plus.

Fresh for up to two times longer.

The new hyperFresh plus drawer doesn't just store fruit and vegetables, it provides them with the right conditions to keep them fresh for up to two times longer than usual. Whether it's fruits or vegetables, simply switch the control, and the humidity will be adjusted for optimum storage of your food.



hyperFresh (plus) 0°C.

Custom freshness for fish and meat.

The hyperFresh (plus) 0°C drawers ensure that fish and meat stay fresh in ideal conditions. To create these excellent freshness promoting conditions, the temperature in this zone is around 2 - 4°C cooler than the rest of the refrigerator. The separate compartments also avoid unpleasant odour transfer.



freshSense

The inverter compressor works with minimum 3 thermal sensors inside the fridge and freezer to form the freshSense system. The sensors detect the temperature inside the compartment, taking into account the external temperature fluctuations, and automatically adjusts the temperature to its best state to keep food fresh.



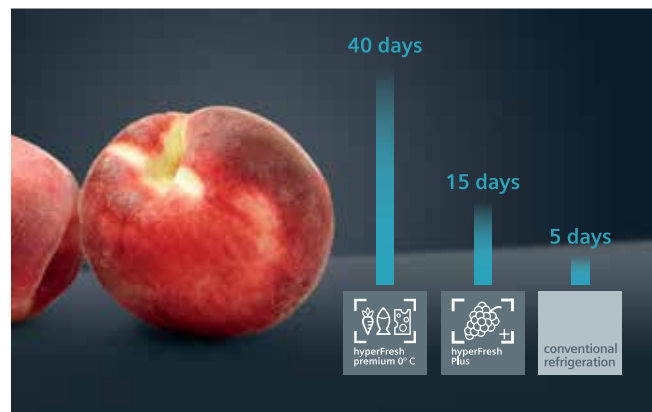
* hyperFresh 0°C freshness preservation technology means that when stored in the 0°C compartment, food temperature is near 0°C and maintains a certain humidity in the storage space. Foods can thus be stored in an ultimate fresh environment. Storage conditions and results may vary depending on the type, freshness and weight of the food.



The perfect environment for fresh food

You need fresh ingredients for good meals. Siemens' freshness systems make keeping food fresh easy and flexible, so meals are always delicious regardless of when you find the time to shop.

Fruit & Vegetables



Fish & Meat



* In-house test compared with current freshness system and previous models.

Built-in fridges and freezers

Intelligent innovation.
Flexibly designed.
For long-lasting freshness.



Cooling – coolConcept

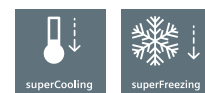


Scan code to find out more



Super function

Adding warm or large amounts of stuff to a refrigerator can lead to an increase in the internal and food temperatures. By switching on the super cool or super freeze function before you go shopping ensures fast and safe storage of food added to the fridge or freezer without affecting the temperature of the food already in the refrigerator.



Deep and roomy: the bottle shelf

The bottle shelf is 115mm deep, giving plenty of room to accommodate bottles of different sizes and diameters.



Always securely closed: the softClosing door

The new softPull system makes sure that the door closes properly. In addition, a door closer is integrated into all flat hinges. Even heavily loaded, doors are closed easily and securely.



Showcase of all your food: full extension drawer

All drawers in the fridge section can be easily extended to the fullest without falling out, giving a better overview of the refrigerated food.

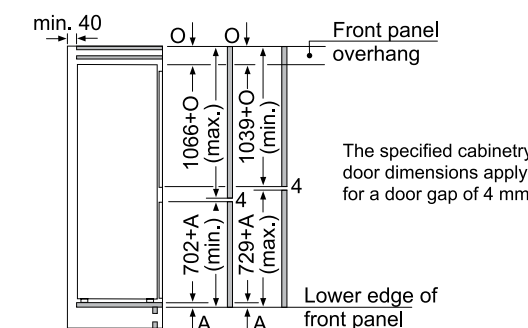
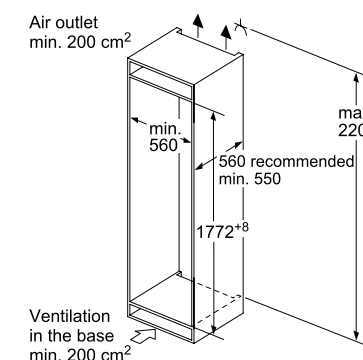
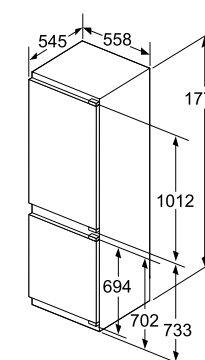


Flush folding hinge

Most models in the range feature a flush folding hinge door design that enables quick and easy fitment of the furniture door without the need for extra drilling. This hinge design holds a door weight of up to 45kg, gives an increased door opening angle of 115°, and features automatic door closing at an angle of less than 20°.

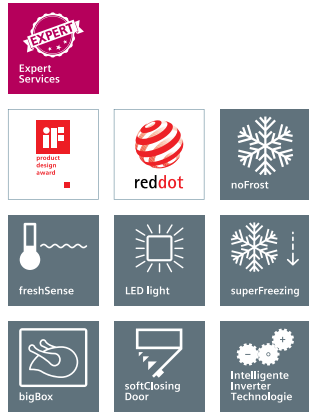
Built-in 2-door refrigerator, bottom freezer KI86NAF31K

Features	<ul style="list-style-type: none"> No frost 2 cooling circuits Digital display and touch control of fridge and freezer sections 	<ul style="list-style-type: none"> Flush folding hinge Door right hinged, reversible Inverter compressor
Fridge Section	<ul style="list-style-type: none"> hyperFresh plus drawer for fruit & vegetables superCooling function with automatic deactivation 5 safety glass shelves of which 4 are height adjustable, including varioShelf and extendable easyAccess shelf 	<ul style="list-style-type: none"> Large door tray with dairy compartment 4 door bins, including 1 extra deep LED interior light on both sides
Freezer Section	<ul style="list-style-type: none"> superFreezing function with automatic deactivation 3 drawers, including 1 bigBox 	<ul style="list-style-type: none"> Vario zone – removable safety glass shelves for extra space Freezing calendar
Technical Information	<ul style="list-style-type: none"> Total net capacity: 254L Net fridge capacity: 187L Net freezer capacity: 67L Noise level: 39dB 	<ul style="list-style-type: none"> Annual energy consumption: 223kWh Freezing capacity (24hrs): 8kg Storage time in power failure: 13hrs Total connected load: 0.09kW (10A)
Supplied Accessories	<ul style="list-style-type: none"> 3 egg trays 1 ice cube tray 	<ul style="list-style-type: none"> 2 cool packs
Appliance Dimensions (H x W x D)	1,772 x 558 x 545mm	
Country of Origin	Germany	
Expert Services	<ul style="list-style-type: none"> Product consultation with unlimited product hotline inquiry Kitchen planning consultation with pre-installation site measurement Professional installation 	
Recommended Retail Price	HK\$24,800	



* Please ensure the plinth panel is removable.
Measurements in mm

Cooling – coolConcept



Scan code to find out more

Built-in 1-door freezer
GI38NP61HK

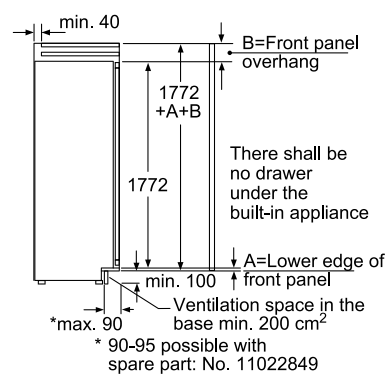
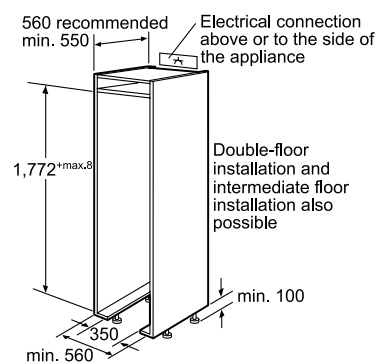
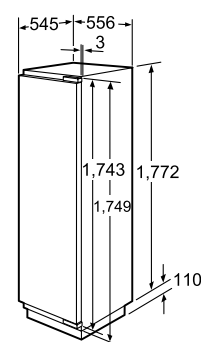
Features	<ul style="list-style-type: none"> • LED display and touch control • Flush folding hinge • Soft closing door • Door left hinged, reversible • Telescopic rail drawers • Inverter compressor
Freezer Section	<ul style="list-style-type: none"> • No frost • LED interior light • superFreezing function with automatic deactivation • 2 hinged freezer compartments • 5 drawers • 6 glass shelves
Technical Information	<ul style="list-style-type: none"> • Total net capacity: 210L • Noise level: 40dB • Annual energy consumption: 239kWh • Freezing capacity (24hrs): 18kg • Storage time in power failure: 11hrs • Total connected load: 0.12kW (10A)
Supplied Accessories	<ul style="list-style-type: none"> • 2 cool packs • 1 ice cube tray
Appliance Dimensions (H x W x D)	1,772* x 556 x 545mm * exclude the height of the base compressor: 110mm
Country of Origin	Germany
Expert Services	<ul style="list-style-type: none"> • Product consultation with unlimited product hotline inquiry • Kitchen planning consultation with pre-installation site measurement • Professional installation
Recommended Retail Price	HK\$30,800



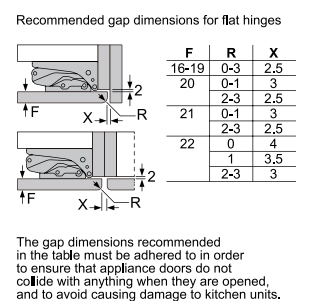
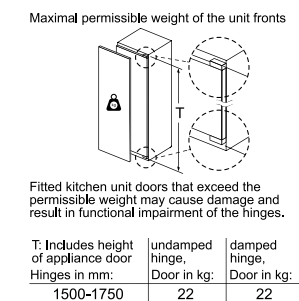
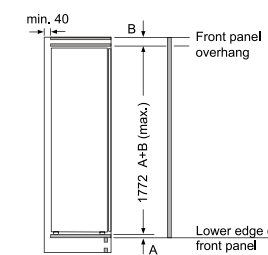
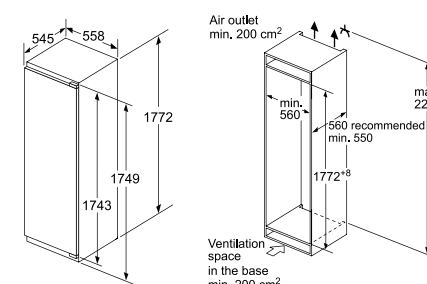
Scan code to find out more

Built-in 1-door fridge
KI81FPF30K

Features	<ul style="list-style-type: none"> • LED display and touch control • Flush folding hinge • Soft closing door 	<ul style="list-style-type: none"> • Door right hinged, reversible • Telescopic rail drawers • Inverter compressor
Fridge Section	<ul style="list-style-type: none"> • Fridge net capacity: 206L • superCooling function with automatic deactivation • 7 safety glass shelves of which 6 are height adjustable, including 1 varioShelf and 1 easyAccess shelf 	<ul style="list-style-type: none"> • Large door bin with dairy compartment • 4 door bins, including 1 extra deep • LED interior light on both sides
hyperFresh premium 0°C Compartment	<ul style="list-style-type: none"> • hyperFresh premium 0°C net capacity: 83L • 1 big drawer for fruit & vegetables • 2 drawers for fish & meat • LED interior light 	
Technical Information	<ul style="list-style-type: none"> • Total net capacity: 289L • Noise level: 37dB • Annual energy consumption: 131kWh • Total connected load: 0.09kW (10A) 	
Supplied Accessory	Egg trays	
Appliance Dimensions (H x W x D)	1,772 x 558 x 545mm	
Country of Origin	Germany	
Expert Services	<ul style="list-style-type: none"> • Product consultation with unlimited product hotline inquiry • Kitchen planning consultation with pre-installation site measurement • Professional installation 	
Recommended Retail Price	HK\$28,800	



* Please ensure the plinth panel is removable.
Measurements in mm



* Please ensure the plinth panel is removable.
Measurements in mm

Cooling



KU15LADF0K



KU15RA65HK



Built-in refrigerator
KU15LADF0K



Built-in fridge
KU15RA65HK

Features	<ul style="list-style-type: none"> Interior temperature control Flush folding hinge Door right hinged, reversible Integrated freezer compartment 	<ul style="list-style-type: none"> Interior temperature control Flush folding hinge Soft closing door Door right hinged, reversible
Fridge Section	<ul style="list-style-type: none"> 2 safety glass shelves of which 1 is height adjustable 1 vegetable container Pull-out tray 3 door trays including 1 extra deep 	<ul style="list-style-type: none"> 3 safety glass shelves of which 2 are height adjustable 1 vegetable container Pull-out tray 3 door trays including 1 extra deep
Freezer Section	<ul style="list-style-type: none"> superFreezing function with automatic deactivation Manual defrost 	–
Technical Information	<ul style="list-style-type: none"> Total net capacity: 123L Net fridge capacity: 108L Net freezer capacity: 15L Noise level: 38dB Annual energy consumption: 140kWh Freezing capacity (24 hrs): 2kg Storage time in power failure: 10 hrs Total connected load: 0.09kW (13A) 	<ul style="list-style-type: none"> Net capacity: 141L Noise level: 38dB Annual energy consumption: 92kWh Total connected load: 0.09kW (13A)
Supplied Accessories	<ul style="list-style-type: none"> 1 egg tray 1 ice cube tray 	1 egg tray
Appliance Dimensions (H x W x D)	818-868 x 598 x 548mm	818-868 x 598 x 548mm
Country of Origin	Germany	Germany
Expert Services	<ul style="list-style-type: none"> Product consultation with unlimited product hotline inquiry Kitchen planning consultation with pre-installation site measurement Professional installation 	<ul style="list-style-type: none"> Product consultation with unlimited product hotline inquiry Kitchen planning consultation with pre-installation site measurement Professional installation
Recommended Retail Price	HK\$15,800	HK\$14,800

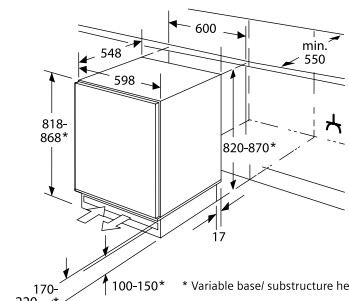
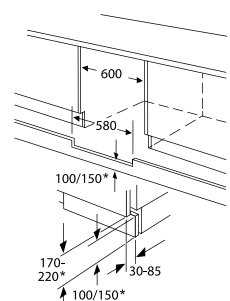


Built-in freezer
GU15DAFF0G

Features	<ul style="list-style-type: none"> Interior temperature control Door right hinged, reversible
Freezer Section	<ul style="list-style-type: none"> superFreezing function Manual defrost 3 drawers Freezing calendar Audible and visual alarm
Technical Information	<ul style="list-style-type: none"> Total net capacity: 98L Noise level: 38dB Annual energy consumption: 184kWh Freezing capacity (24 hrs): 12kg Storage time in power failure: 23 hrs Total connected load: 0.09kW (13A)
Supplied Accessory	1 ice cube tray
Appliance Dimensions (H x W x D)	818-868 x 598 x 548mm
Country of Origin	Germany
Expert Services	<ul style="list-style-type: none"> Product consultation with unlimited product hotline inquiry Kitchen planning consultation with pre-installation site measurement Professional installation
Recommended Retail Price	HK\$15,800

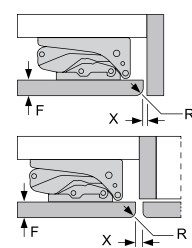


Scan code to find out more



Space for electrical connection next to the appliance on the left or right-hand side. Ventilation in the base.

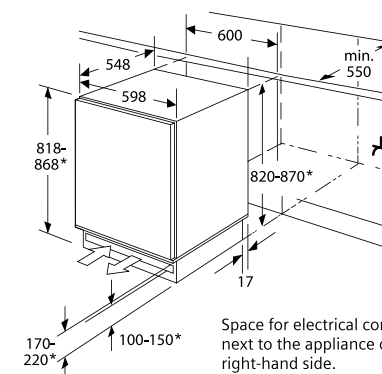
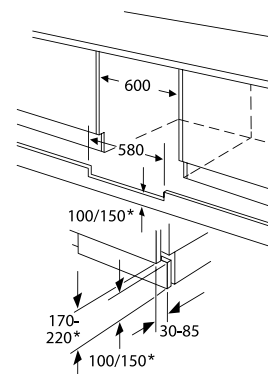
Recommended gap dimensions for flat hinges



F	R	X
16-19	0-3	2,5
20	0-1	3
	2-3	2,5
21	0-1	3
	2-3	2,5
22	0	4
	1	3,5
	2-3	3

The gap dimensions recommended in the table must be adhered to in order to ensure that appliance doors do not collide with anything when they are opened, and to avoid causing damage to kitchen units.

This appliance is best installed in a dry and/or air-conditioned room.
Measurements in mm



Space for electrical connection next to the appliance on the left or right-hand side. Ventilation in the base.

Recommended gap dimensions for flat hinges

F	R	X
16-19	0-3	2,5
20	0-1	3
	2-3	2,5
21	0-1	3
	2-3	2,5
22	0	4
	1	3,5
	2-3	3

The gap dimensions recommended in the table must be adhered to in order to ensure that appliance doors do not collide with anything when they are opened, and to avoid causing damage to kitchen units.

* Please ensure the plinth panel is removable

* Variable base/ substructure height

This appliance is best installed in a dry and/or air-conditioned room.
Measurements in mm

Luxury with all the convenience: twinCool single fridge and freezer



freshSense

freshSense detects temperature changes inside and outside of the fridge and take countermeasures to ensure your food stays fresh for as long as possible.



easyAccess glass shelves

This extendable glass shelf can be slid out smoothly, so that you can reach the food at the back of the fridge.



hyperFresh plus vegetable drawer

The hyperFresh plus vegetable drawer keeps vegetables, salad and fruit fresh and prevent from drying out, thus preserving precious vitamins, keeping it longer crisp, flavoursome and more nutritious.



Ice twister box

Ice cubes from the storage tray in a simple, easy and hygienic way.

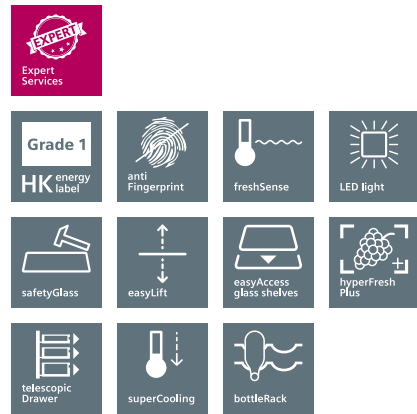


Two extra-large bigBox for large food items in freezer

The bigBox is 27cm high and provides enough room for several pizzas. Store a turkey or put large freezer containers in the roomy bigBox with ease.



Cooling – twinCool

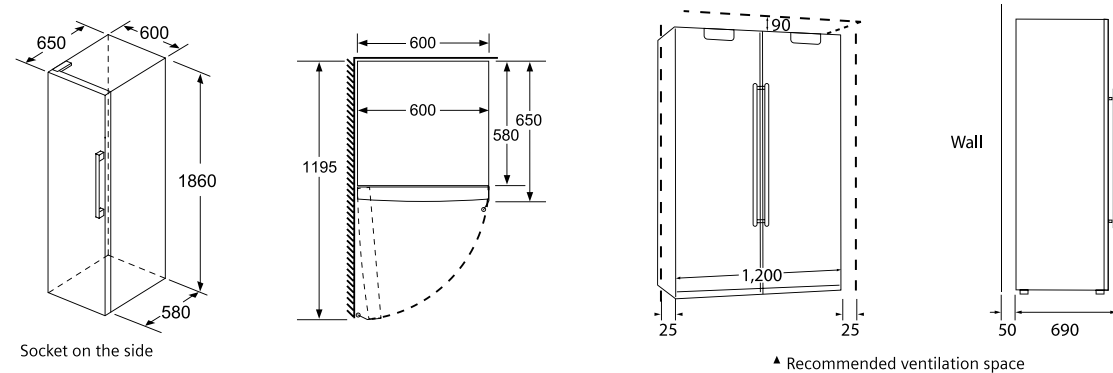


Scan code to find out more

Freestanding fridge KS36VAIEP

Always place the fridge KS36VAIEP on the left side for a side by side arrangement.

Door Design	antiFingerprint stainless steel colour door
Features	<ul style="list-style-type: none"> • LED electronic digital temperature control • superCooling function with automatic deactivation • Interior ventilator • hyperFresh plus drawer • Vegetable drawer on telescopic rail • LED illumination light • 7 safety glass shelves of which 5 are height adjustable, easyAccess glass shelves • 5 door bins including 1 with easyLift and 1 dairy compartment • Door left hinged, reversible
Technical Information	<ul style="list-style-type: none"> • Net fridge capacity: 346L • Noise level: 39dB • Annual energy consumption: 112kWh • Total connected load: 0.09kW (10A)
Supplied Accessories	<ul style="list-style-type: none"> • bottleRack • 3 egg trays
Optional Accessory	Connection set (KS39ZAL00)
Appliance Dimensions (H x W x D)	1,860 x 600 x 650 (690*)mm Please reserve an additional depth for ventilation purpose▲
Country of Origin	Spain
Expert Services	<ul style="list-style-type: none"> • Product consultation with unlimited product hotline inquiry • Kitchen planning consultation with pre-installation site measurement • Professional installation
Recommended Retail Price	HK\$29,800



▲ Recommended ventilation space

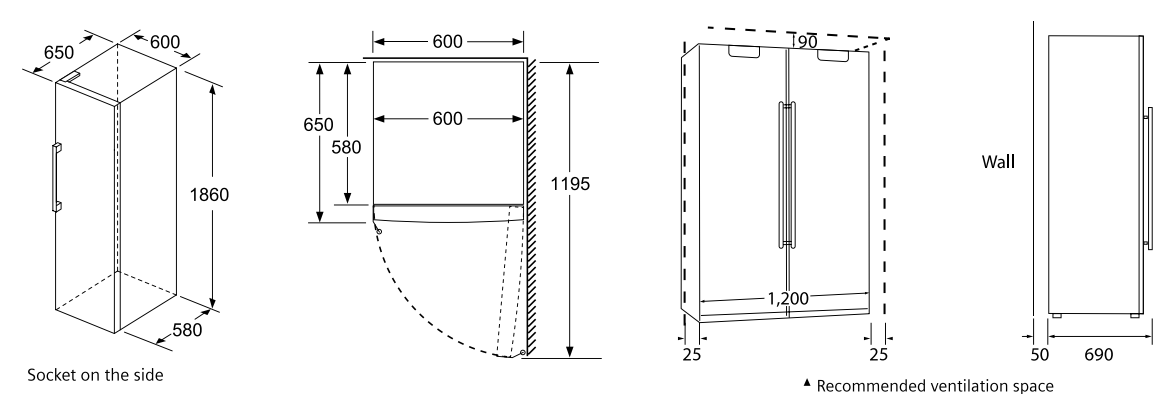


Scan code to find out more

Freestanding freezer GS36NAIFV

Always place the fridge KS36VAIEP on the left side for a side by side arrangement.

Door Design	antiFingerprint stainless steel colour door
Features	<ul style="list-style-type: none"> • No frost • LED electronic digital temperature control • superFreezing function with automatic deactivation • Interior ventilator • multiAirflow • Multi-Alarm-System with memory function and door open warning tone • LED illumination light • Ice twister box • Vario Zone: 6 removable safety glass shelves for extra space • 2 freezer compartments with flap door • 5 freezer drawers including 2 bigBox • Freezing calendar • Door right hinged, reversible • Inverter compressor
Technical Information	<ul style="list-style-type: none"> • Net freezer capacity: 242L • Noise level: 40dB • Annual energy consumption: 237kWh • Freezing capacity (24hrs): 19kg • Storage time in power failure: 25hrs • Total connected load: 0.09kW (10A)
Supplied Accessory	2 cool packs
Optional Accessory	Connection set (KS39ZAL00)
Appliance Dimensions (H x W x D)	1,860 x 600 x 650 (690*)mm Please reserve an additional depth for ventilation purpose▲
Country of Origin	Spain
Expert Services	<ul style="list-style-type: none"> • Product consultation with unlimited product hotline inquiry • Kitchen planning consultation with pre-installation site measurement • Professional installation
Recommended Retail Price	HK\$26,800



▲ Recommended ventilation space





Automatic ice & water dispenser

- Three different modes are available: ice cubes, crushed ice or cold water. At a gentle touch of the button, you can enjoy whichever you most desire.
- The ice dispenser equips with a water filter for water quality.
- LED lighting at dispenser provides extra illumination with a beautiful and appealing effect.



Discover more



Inverter compressor

The intelligent inverter technology is a clever combination of the inverter compressor and iSensoric. The sensors register every change in temperature and humidity, e.g. when the door is opened or warm foods are stored. The inverter compressor adapts its need with this information to cool food intelligently, energy-efficiently and incredibly quiet.



Precise, easy and intuitive

All functions such as temperature, humidity level and eco mode can be set using the duo electronic LED displays with touchControl. The touchControl display is also the communication hub for iSensoric, data is collected from various sensors for controlling other functions. Fridge, hyperFresh premium 0°C drawer and freezer temperature can be set separately.



In-door LED display

The sophisticated design and user-friendly electronics gives you easy control of all functions on the touch panel.

Inverter compressor

The intelligent inverter technology is a clever combination of the inverter compressor and iSensoric. The sensors register every slight change in temperature and humidity inside the refrigerator, e.g. when the door is opened or warm foods are stored. The inverter compressor receives this information and adapts its need to cool food intelligently, energy-efficiently and incredibly quiet.



High storage capacity for fresh food and good health

coolDuo refrigerators are designed with ample space and flexibility. The easyAccess extendable glass shelves and compartments gives a good view and easily load of your stored food. The bigBox in freezer compartment all play a part in maximising net storage capacity for preserving fresh food.



Water filter replacement indicator

Side by side inverter refrigerator equipped with an ice & water dispenser comes with a water filter replacement indicator. It is recommended to replace in every 6 months or when the "filter change" alert is lighted up on the display panel. Exchanging the water filters is easy and simple, customer can purchase at Siemens Home Appliances eShop.



Product Code	11032518*
Product Name	UltraClarity® Pro internal water filter cartridge
Made in Korea	

* The water filter is only for KA93DVIFPG

Water filter is certified with NSF/ANSI Standards 42, 53 and 401 by Natural Sanitation Foundation

NSF/ANSI 42 Standard: Filter non-health-related contaminants, such as chlorine, taste, odour and particulates.

NSF/ANSI 53 Standard: Filters specific-health-related contaminants, such as Cryptosporidium, Giardia, lead and VOCs, etc.

NSF/ANSI 401 Standard: Filters 15 types of the emerging contaminants, such as prescription/OTC drugs, herbicides and pesticides and chemicals used as flame retardants and detergents etc.

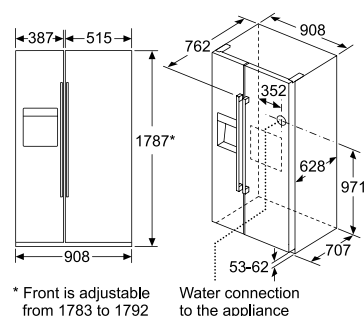
Cooling – coolDuo



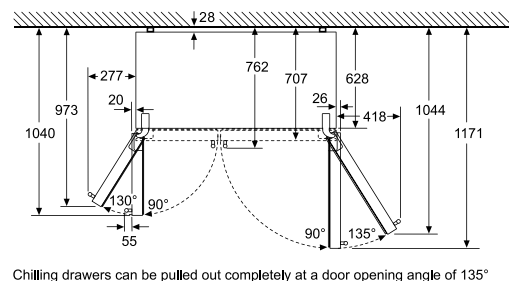
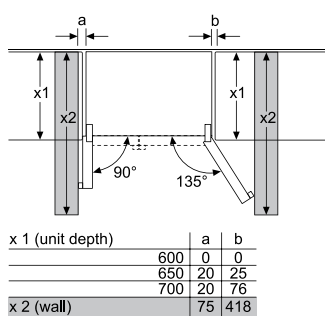
Scan code to find out more

Side by side refrigerator
KA93DVIFPG

Features	<ul style="list-style-type: none"> antiFingerprint stainless steel colour door No frost Flushed in ice-water dispenser (IWD) with LED lighting and child lock High storage net capacity – 533L Water filter for the ice-water dispenser 	<ul style="list-style-type: none"> In door electronic with LED display and touchControl freshSense – sensor system for optimised temperature control Special functions: eco, vacation mode Inverter compressor
Fridge Section	<ul style="list-style-type: none"> superCooling function with automatic deactivation LED interior light multiAirflow system 	<ul style="list-style-type: none"> 5 safety glass shelves of which 1 is adjustable 2 extendable Fresh drawers on rails 5 door bins
Freezer Section	<ul style="list-style-type: none"> superFreezing function with automatic deactivation LED interior light 	<ul style="list-style-type: none"> 5 safety glass shelves 2 extendable drawers 3 door bins
Technical Information	<ul style="list-style-type: none"> Total net capacity: 533L Fridge net capacity: 368L Freezer net capacity: 165L Noise level: 42dB 	<ul style="list-style-type: none"> Annual energy consumption: 343kWh Freezing capacity (24hrs): 13kg Storage time in power failure: 8hrs Total connected load: 0.24kW (13A)
Supplied Accessories	Integrated water filter, egg tray	
Appliance Dimensions (H x W x D)	1,787 x 908 x 707 (762*)mm Please reserve an additional depth for ventilation purpose [▲]	
Country of Origin	China	
Expert Services	<ul style="list-style-type: none"> Product consultation with unlimited product hotline inquiry Kitchen planning consultation with pre-installation site measurement Professional installation 	
Recommended Retail Price	HK\$20,390	



* Front is adjustable from 1783 to 1792
Water connection to the appliance



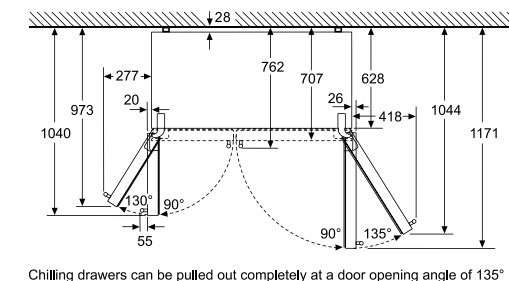
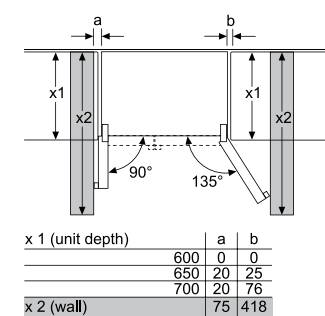
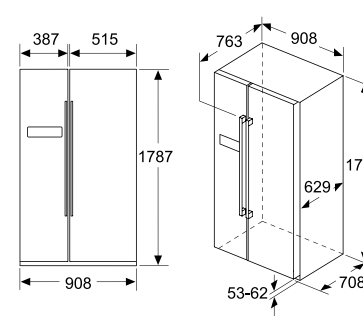
[▲] Depth includes 28mm spacer at the rear for ventilation. Recommended min. ventilation space for built-in installation, Top: 90mm, Sides: min. 25mm each. Door hinge should be placed outside the cabinet. Please consult sales consultant for a free on-site inspection.



Scan code to find out more

Side by side refrigerator
KA93NVIFPK

Features	<ul style="list-style-type: none"> antiFingerprint stainless steel colour door No frost High storage net capacity – 560L Exterior electronic with LED display and touchControl 	<ul style="list-style-type: none"> freshSense – sensor system for optimised temperature control Special functions: eco, vacation mode Inverter compressor
Fridge Section	<ul style="list-style-type: none"> SuperCooling function with automatic deactivation LED interior light multiAirflow system 	<ul style="list-style-type: none"> 5 safety glass shelves of which 1 is adjustable 2 extendable Fresh drawers on rails 5 door bins
Freezer Section	<ul style="list-style-type: none"> superFreezing function with automatic deactivation LED interior light Removable ice twister 	<ul style="list-style-type: none"> 5 safety glass shelves 2 extendable drawers 3 door bins
Technical Information	<ul style="list-style-type: none"> Total net capacity: 560L Fridge net capacity: 371L Freezer net capacity: 189L Noise level: 42dB 	<ul style="list-style-type: none"> Annual energy consumption: 363kWh Freezing capacity (24hrs): 12kg Storage time in power failure: 4hrs Total connected load: 0.23kW (13A)
Supplied Accessory	Egg tray	
Appliance Dimensions (H x W x D)	1,787 x 908 x 707 (762*)mm Please reserve an additional depth for ventilation purpose [▲]	
Country of Origin	China	
Expert Services	<ul style="list-style-type: none"> Product consultation with unlimited product hotline inquiry Kitchen planning consultation with pre-installation site measurement Professional installation 	
Recommended Retail Price	HK\$13,890	



[▲] Depth includes 28mm spacer at the rear for ventilation. Recommended min. ventilation space for built-in installation, Top: 90mm, Sides: min. 25mm each. Door hinge should be placed outside the cabinet. Please consult sales consultant for a free on-site inspection.



Dishwasher

Our dishwashers save time and energy alongside with complete flexibility and versatility. They also come fully equipped with an array of innovative technology, stylish design and user-friendly functions.

Do your family bonding while I do your dishwashing

Making life easier with Dishwashers from Siemens.



Delegate your cleaning.

Indulge in your favorites activities after a well-deserved meal. "Just live life" Siemens dishwasher will take care of the rest.

Free from bacteria and germs.

Siemens dishwasher can reach up to 70°C high temperature during the rinsing cycle, killing 99.999%* of all bacteria, giving you the most hygienic wash possible.

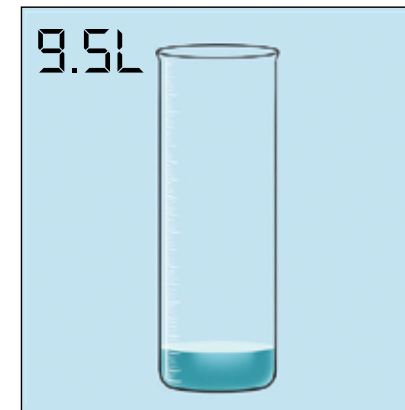
Deploy Siemens' intelligent troops.

Siemens dishwashers have built-in intelligent sensors. They can intelligently adjust the water consumption, temperature and cycle time, ensuring your dishes are always perfectly cleaned and dried, saving time and energy.

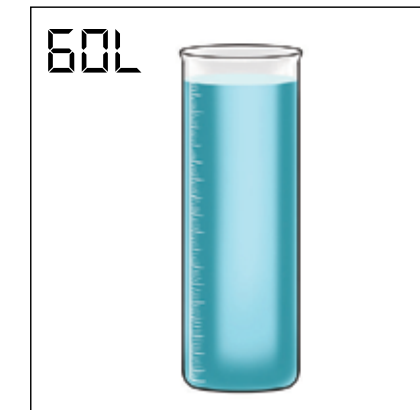
Dishwasher vs. Traditional washing

There are many reasons to own a dishwasher:

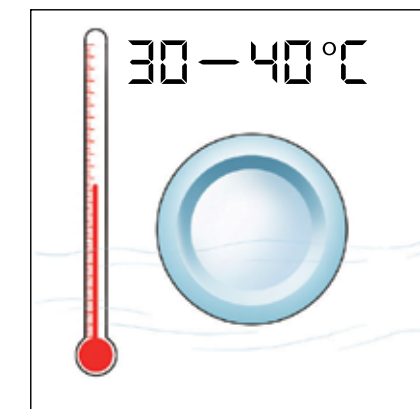
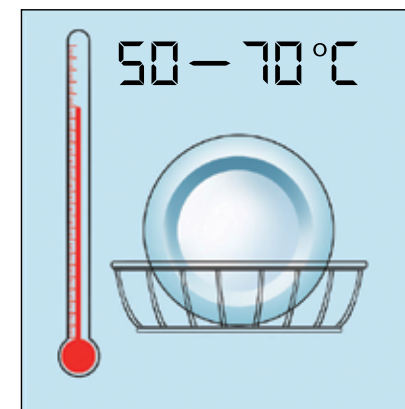
Dishwasher



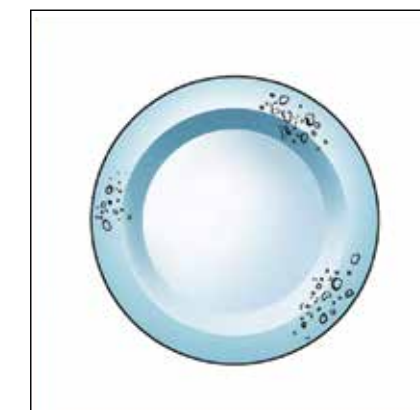
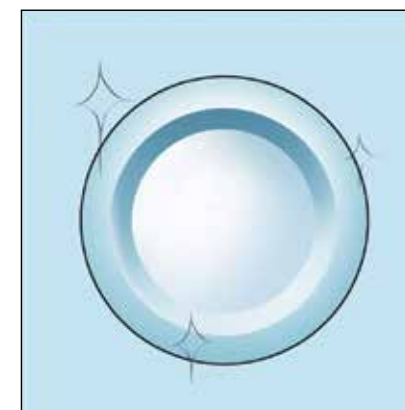
Hand wash



1) Protect the environment by saving 84%^ of water.



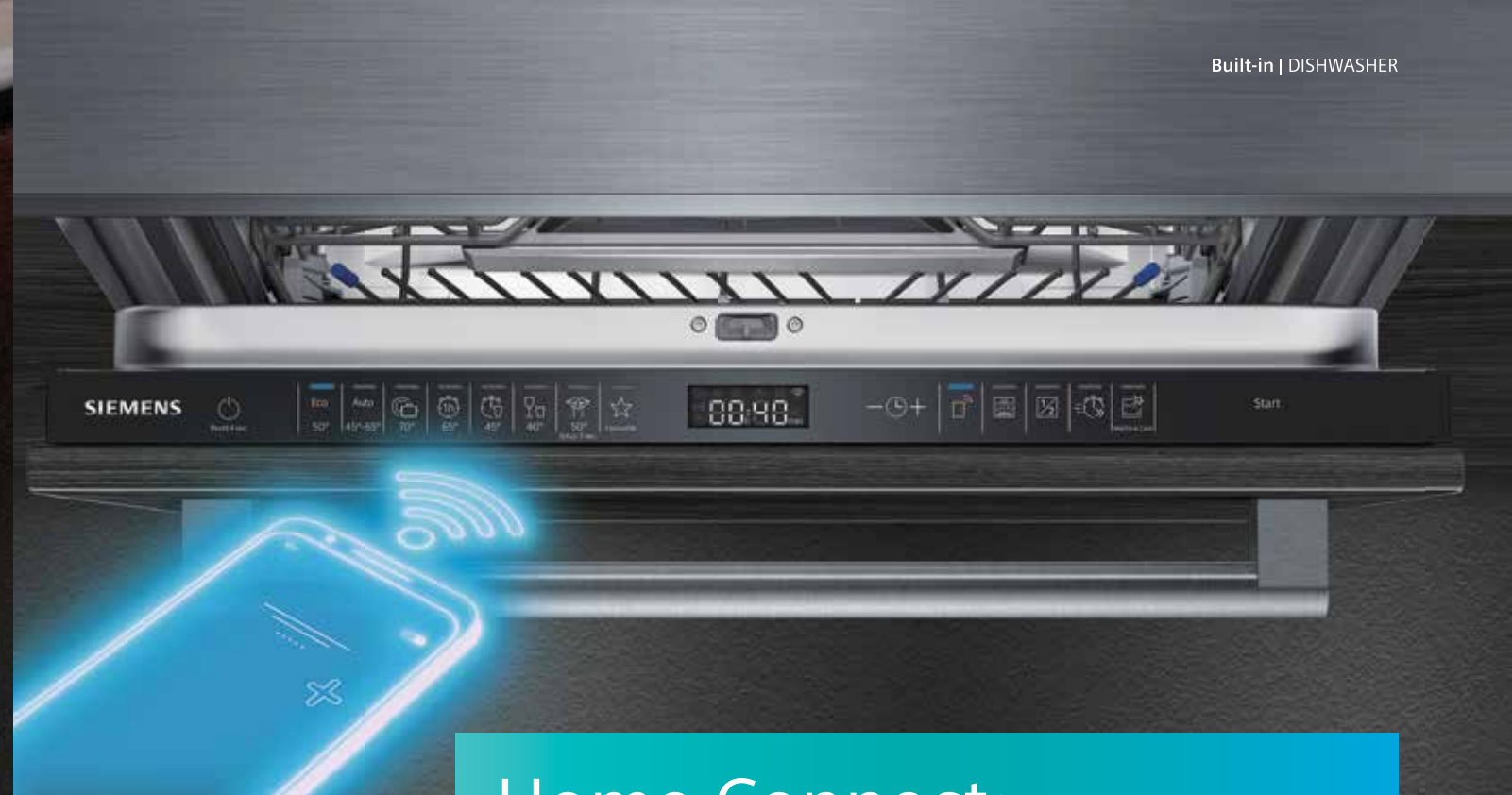
2) Remove 99.999%* of all bacteria and germs, protecting your family against Salmonella and E.coli.



3) High water pressure, giving you an effective wash, without damaging your delicate china or glassware.

* 99.999% reduction on Escherichia coli, Staphylococcus aureus in Eco 50°C program, HKTEC2301435901 (date 04/23), HKTEC2102323201 (date 06/21), HKTEC2004455101 (date 11/20), HKGEC2000415202 (date 08/20). issued by SGS Hong Kong Limited.

^ Assuming 60 litres of water is used for hand washing per day. Apply to SR93EX20MG using Eco Wash 50°C Programme.



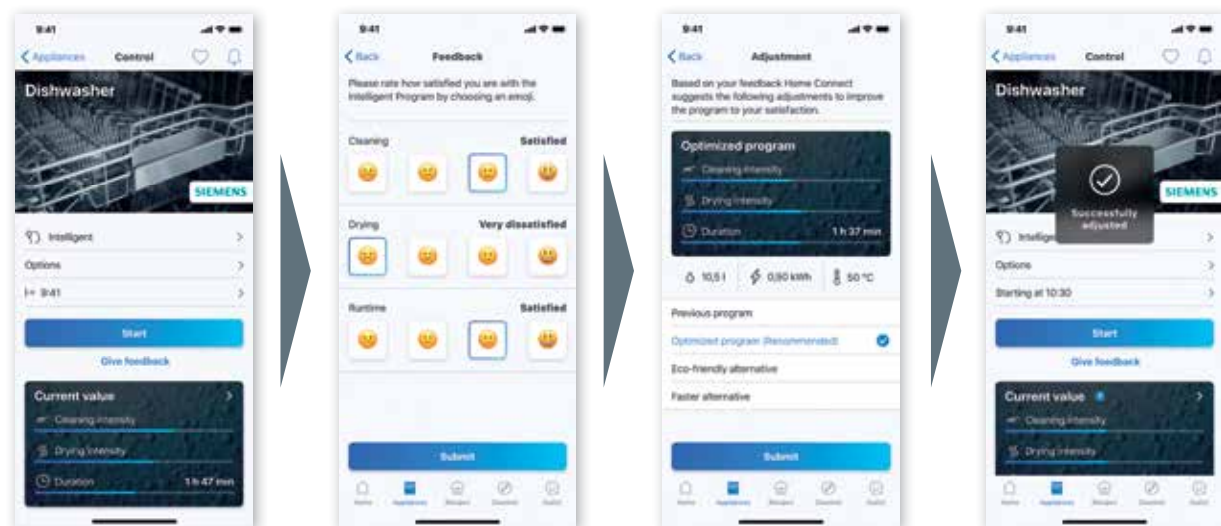
Home Connect: Dishwashing with ease

A dishwasher listens to you



Intelligent AI Wash

Rate your dishwasher via the Home Connect App how satisfied you are with the duration of the programme and the cleaning and drying results. The dishwasher adjusts its settings to create a customized dishwashing programme for you. Additionally, the programme offers you full transparency about water and energy consumption.



Start and select importance of cleaning, drying and runtime.

Rate the result.

Pick the recommendation.

Your customized programme is ready.

Remotely monitor your dishwasher whenever you are, whenever you want.

With Remote Monitoring, you can monitor all type of real-time information related with your connected dishwasher. You can easily check program status such as remaining cycle time or the details as salt/rinse aid level, water hardness level and be sure everything is running smoothly.

Select the ideal cleaning program easily via Home Connect App - Program Assistant.

The Program Assistant menu on the Home Connect App helps you to find the correct setting for your load quickly and easily. Just answer a few simple questions and the app will suggest the most optimum programme for your load. It is easy to adjust your dishwasher settings via the app on your mobile or tablet to keep it running at maximum efficiency.

Tab Counter: Get notified before the dishwasher tablets run out.

Tab Counter allows you to track the number of your remaining dishwasher tablets. After each purchase of tablets, just enter the number of tablets to the Home Connect app and the Tab Counter counts down the number of tablets in each cycle. It sends a notification via Home Connect app when the remaining is below the identified number. So your dishwasher tablets are always in your control when you need them.

Easily select and start cleaning programs via Home Connect App - Remote control.

Start the dishwasher remotely when away from home, check the washing time or even receive push notifications for machine maintenance on your smart device.

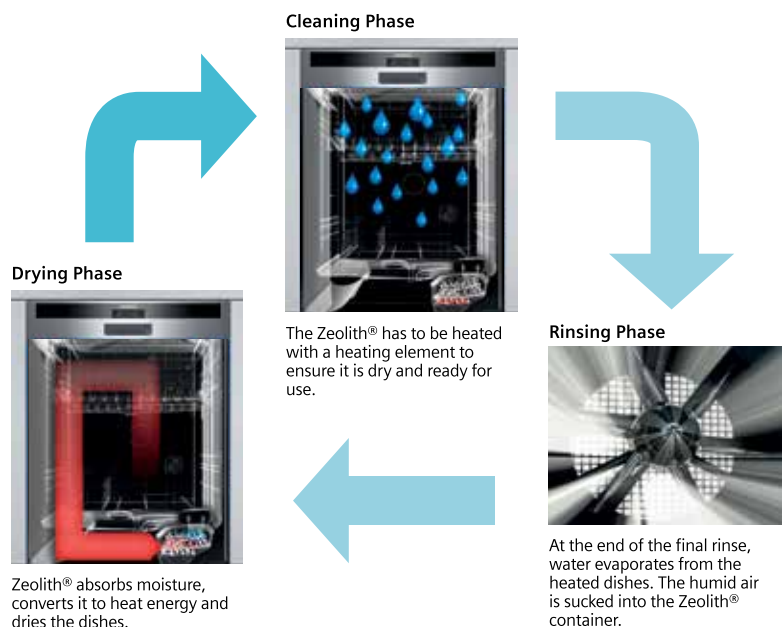


Technologies for perfection

With innovations and leading technologies in dishwashing, Siemens' dishwasher evolve dishwashing into the next level. From user-friendly basket designs, convenience washing programmes, advanced washing technologies, incredible drying innovations, to reliable safety and maintenance features, we make your dishwashing tasks much more easier in every details, and in an efficient way with brilliant result.

Zeolith® Technology for Incredible Drying

Siemens' Zeolith® dishwasher make innovative use of zeolith , a naturally occurring mineral, which has the ability to absorb moisture and convert it into heat energy. For all type of tableware, even plastic dishes, you can put into cupboard immediately after dishwasher finished drying. Result in better drying performance and less electricity consumption.



iTurbo (supported by powerSelect function)

iTurbo is designed to wash all dishes at the same time, from the most delicate glasses to steel pots. This specially designed bottom arm divides the dishwasher into four parts for a more customized washing. So for excellent cleaning, you can adjust each section according to the needs of your dishes.



dosageAssist

Quickly and evenly dissolves dishwasher tablets throughout the entire machine, leaving no mess to clean at the end of the cycle. This also prevents the tablet getting stuck in your dishware ensuring no cleaning product residue is left after the cycle.



aquaStop

Immediately when the dishwasher senses a leak, it stops the water flow, and activates drainage of ponding to prevent harm to other furniture and appliances.

*If water connection is outside the cabinet of the machine, a 10 x 10cm cut-out hole on the cabinet partition is needed for the aquaStop pipe to pass through.



aquaSensor

Makes sure that the optimum temperature is used depending on how dirty the dishes are, meaning that dishes are perfectly clean the first time round.



Heat exchanger

Protect your glasses from cracking with gentle water heating. Heat generated during the wash cycle is used to pre-heat the rinsing water to stop glasses being put under stress. Standard on all models.



With Siemens dishwasher,
everything is under control.



Take your time and let the dishwasher do the rest

The Auto Wash 45°C - 65°C washing programme with intensiveZone option can help to clean the dirty dishes as well as the wok and pot after a meal.



Care for your loved ones

Hygiene is very important for a healthy family. Use the Intensive Wash 70°C washing programme with hygienePlus option to wash and sterilize your utensils, cutlery and milk bottles. During the rinse cycle, a high temperature of approximately 70°C is maintained for an extra period of time, killing many of the bacteria and germs, so your loved ones are well protected.



Host parties with ease

During a party, a lot of dishes would require a quick wash for reuse again, the Quick Wash 45°C washing programme would become handy at this point. A full load of dishes could be washed around 35 minutes. The Extra Dry option can be added to ensure the dishes are dry.



Sometime things have to be done fast

If you need clean plates in a hurry, varioSpeed Plus is the perfect time saver. When activated, the washing time is reduced by up to 66%. * Apply Extra Dry to ensure better drying performance.

* Does not apply to the Pre-rinse or Quick Wash cycle



Treasure your wine glasses

Washing the delicate wine glasses is not easy, but with Siemens dishwasher anything is possible. Simply place the glasses on the wine glass tray and apply the security lock; select the Glass Wash 40°C washing programme with Shine & Dry option. The result: delicate glasses look as good as new, producing better result than washing by hand.



Machine Care with Siemens dishwashers

For excellent results when washing and drying, it is important to look after your dishwasher correctly. Machine Care Programme is designed to be used together with a dishwasher cleaning detergent and provides a short, high temperature, high pressure wash designed to remove limescale and grease build up inside your dishwasher and outlet pipes. The dishwasher will remind you every 30 cycles or so to run this programme, to keep your appliance running as efficiently as possible.

Designed for flexible loading



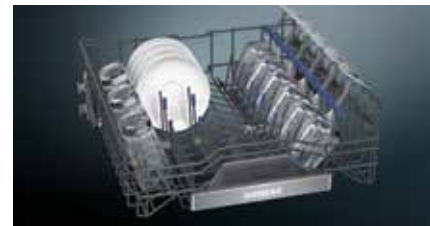
varioDrawer

The varioDrawer not only makes dishwasher loading more flexible and easier, it now even more flexibility of its own. It not only securely holds your cutlery but offer space for wide handled knives, soup ladles, teacups and small coffe cups.



flexComfort basket system

The new flexComfort baskets with elegant design give you freedoms when loading and unloading dishes. Whether plates, pots, cup, or wine glasses, with Siemens flexComfort basket, every dish quickly find its place.



glassZone

Specially for gentle and thorough cleaning of your valuable glasses. Six integrated nozzles ensure continuous but gentle water supply, provide thorough cleaning without damaging sensitive materials. In addition, integrated contact surface made of anti-slip silicone protect against mechanical stress and give your glasses a secure hold.



rackMatic Plus basket

A gentle push on the function lever, next to the upper level cleaning basket, controls this basket's flexibility to up to 3 levels. With room for items of 34cm diameter, it is the best option for cleaning large-sized cookware.



Added kitchen convenience.



timeLight

Check the status of the cycle easily. Useable on any surface of any colour, the innovative timeLight projects the remaining time as well as other essential information of the dishwasher cycle onto the floor.

With quiet dishwashers, this solution lets you know the dishwasher is running and how long is left at a glance, so you can avoid opening the door mid-cycle.



infoLight

Projects a beam of light onto the floor to show the dishwasher is running. This prevents needing to open the door while the cycle is still active to see if it is finished.



Favourite

Your personal favourites in one push: The Favourite button makes your dishwasher even more personal. Simply enter your most used combination of dishwashing programmes and options, and then start them conveniently at the touch of a button, via the Home Connect app or via your voice assistant.

Dishwasher



New

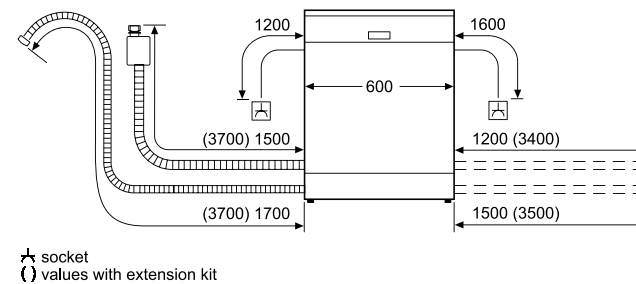
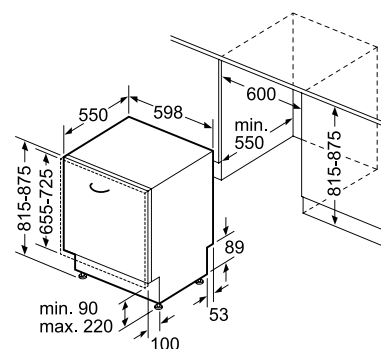
iQ700 60cm intelligent dishwasher
SN67ZX86DM



Scan code to find out more

Capacity	13 place settings
8 Programmes	<ul style="list-style-type: none"> Intelligent AI Wash Auto Wash 45 - 65°C Intensive Wash 70°C 1hr Wash 65°C Eco Wash 50°C Glass Wash 40°C Favourite / Pre Rinse Machine Care
Functions	<ul style="list-style-type: none"> HygienePlus Pretreatment powerSelect (back, front, custom)
Technology	<ul style="list-style-type: none"> Zeolith® drying technology glassZone aquaSensor Heat exchanger aquaStop anti-flood system dosageAssist iQdrive technology
Flexibility	<ul style="list-style-type: none"> 2 stage rackMatic height adjustable top basket 3rd adjustable basket with Knife shelf flexComfort Pro basket system 1-24 hours delay start timer Cutlery basket Bottle holder
Design	<ul style="list-style-type: none"> Fully integrated emotionLight: blue timeLight projection: white Touch control panel Full flexibility of door panel at your choice (not included accessory)
Technical Information	<ul style="list-style-type: none"> Consumption rates (Eco Wash 50°C programme) <ul style="list-style-type: none"> - Water 10.4L - Electricity 0.64kWh Total connected load 2.4kW (13A)
Appliance Dimensions (H x W x D)	815-875 x 598 x 550mm
Country of Origin	Germany
Expert Services	<ul style="list-style-type: none"> Product consultation with unlimited product hotline inquiry Kitchen planning consultation with pre-installation site measurement Professional installation
Recommended Retail Price	HK\$25,800

† 99.999% reduction on Escherichia coli, Staphylococcus aureus in Eco 50°C program, HKTEC2301435901 (date 04/23) issued by SGS Hong Kong Limited.



socket
() values with extension kit

* Please ensure the plinth panel is removable.
Measurements in mm



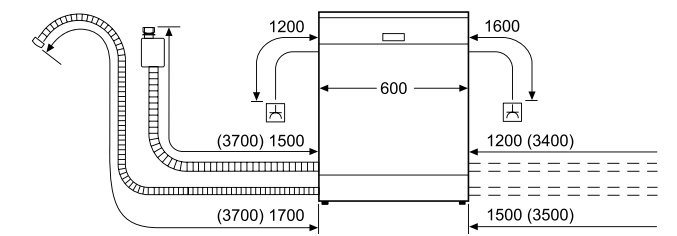
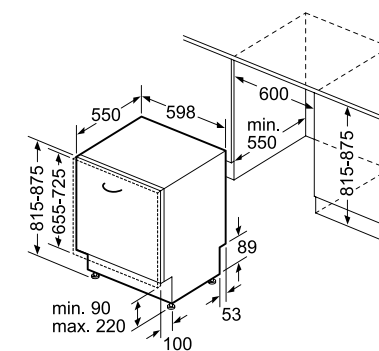
60cm dishwasher
SN61IX09TE



Scan code to find out more

Capacity	12 place settings
5 Programmes	<ul style="list-style-type: none"> Auto Wash 45°C - 65°C Intensive Wash 70°C 1hr Wash 65°C Eco Wash 50°C Favourite / Pre Rinse
Functions	<ul style="list-style-type: none"> varioSpeed Machine Care Half load
Technology	<ul style="list-style-type: none"> aquaSensor aquaStop anti-flood system dosageAssist iQdrive technology
Flexibility	<ul style="list-style-type: none"> vario basket system Moveable cutlery basket 3, 6, 9 hours delay start timer
Design	<ul style="list-style-type: none"> Fully integrated infoLight (blue) Full flexibility of door panel at your choice (not included accessory)
Technical Information	<ul style="list-style-type: none"> Consumption rates (Eco Wash 50°C programme) <ul style="list-style-type: none"> - Water 10.5L - Electricity 1.02kWh Noise level 48dB Total connected load 2.4kW (13A)
Appliance Dimensions (H x W x D)	815-875 x 598 x 550mm
Country of Origin	Poland
Expert Services	<ul style="list-style-type: none"> Product consultation with unlimited product hotline inquiry Kitchen planning consultation with pre-installation site measurement Professional installation
Recommended Retail Price	HK\$15,800

† 99.999% reduction on Escherichia coli, Staphylococcus aureus in Eco 50°C program, HKTEC2102323201 (date 06/21) issued by SGS Hong Kong Limited.



socket
() values with extension kit

* Please ensure the plinth panel is removable.
Measurements in mm

Dishwasher



- 9.5 L Water
- 45 cm Width
- duoPower
- 1h Programme
- Machine Care
- infoLight

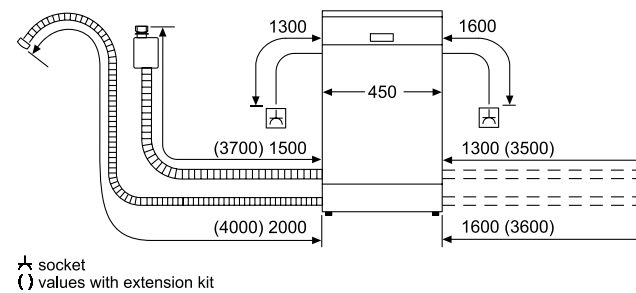
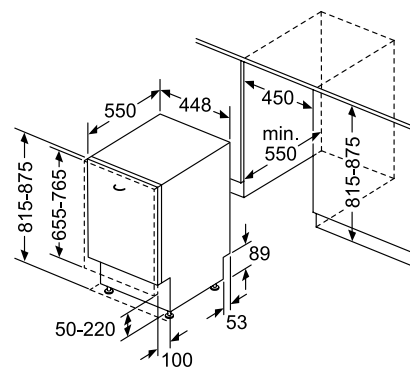


Scan code to find out more

45cm dishwasher
SR93EX20MG

Capacity	10 place settings
6 Programmes	<ul style="list-style-type: none"> Intensive Wash 70°C Auto Wash 45°C - 65°C 1 hour Wash 65°C Eco Wash 50°C Quick Wash 45°C Favorite/Pre Rinse
Functions	<ul style="list-style-type: none"> varioSpeed Plus hygienePlus intensiveZone Machine Care programme
Technology	<ul style="list-style-type: none"> aquaSensor Heat exchanger aquaStop anti-flood system dosageAssist iQdrive technology
Flexibility	<ul style="list-style-type: none"> 3 stage rackMatic height adjustable top basket varioFlex Plus basket system varioDrawer 1-24 hours delay start timer
Design	<ul style="list-style-type: none"> Fully integrated duoPower double spray arms Baking sheet spray head (optional) infoLight (blue) Push button controls Full flexibility of door panel at your choice (not included accessory)
Safety	Double push door
Technical Information	<ul style="list-style-type: none"> Consumption rates (Eco Wash 50°C programme) <ul style="list-style-type: none"> - Water 9.5L - Electricity 0.74kWh Noise level 45dB Total connected load 2.4kW (13A)
Appliance Dimensions (H x W x D)	815-875 x 448 x 550mm
Country of Origin	Poland
Expert Services	<ul style="list-style-type: none"> Product consultation with unlimited product hotline inquiry Kitchen planning consultation with pre-installation site measurement Professional installation
Recommended Retail Price	HK\$21,800

† 99.999% reduction on Escherichia coli, Staphylococcus aureus in Eco 50°C program, HKTEC2004455101 (date 11/20) issued by SGS Hong Kong Limited.



★ socket
() values with extension kit

* Please ensure the plinth panel is removable.
Measurements in mm



- 9 L Water
- 60 cm Height
- varioSpeed Plus
- hygienePlus
- Intensive Zone

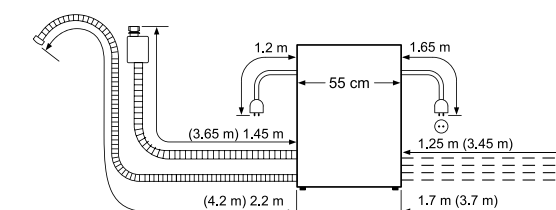
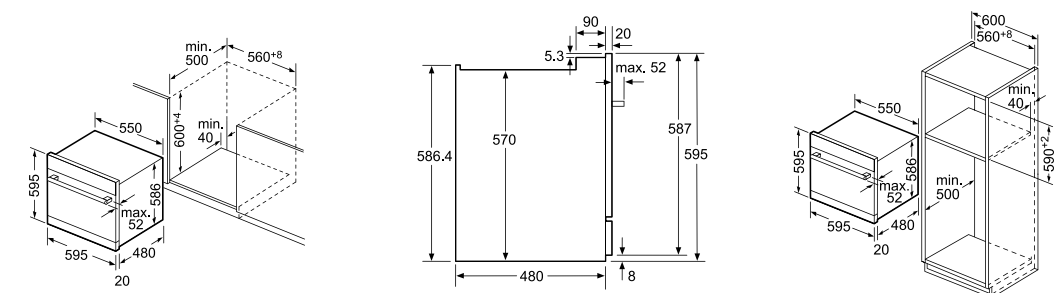


Scan code to find out more

60cm speedMatic Modular dishwasher
SC76M542EU

Capacity	7 place settings
6 Programmes	<ul style="list-style-type: none"> Intensive Wash 70°C Auto Wash 45 - 65°C Eco Wash 50°C Glass Wash 40°C Quick Wash 45°C Pre Rinse
Functions	<ul style="list-style-type: none"> varioSpeed Plus hygienePlus intensiveZone extraDry
Technology	<ul style="list-style-type: none"> aquaSensor Heat exchanger aquaStop anti-flood system iQdrive technology
Flexibility	<ul style="list-style-type: none"> Cutlery basket 1-24 hours delay start timer
Design	<ul style="list-style-type: none"> Stainless steel color panel LED front panel display with remaining time indicator
Safety	Control panel lock
Technical Information	<ul style="list-style-type: none"> Consumption rates (Eco Wash 50°C programme) <ul style="list-style-type: none"> - Water 9L - Electricity 0.66kWh Noise level 47dB Total connected load 2.4kW (13A)
Appliance Dimensions (H x W x D)	595 x 595 x 500mm
Country of Origin	Spain
Expert Services	<ul style="list-style-type: none"> Product consultation with unlimited product hotline inquiry Kitchen planning consultation with pre-installation site measurement Professional installation
Recommended Retail Price	HK\$16,800

† 99.999% reduction on Escherichia coli, Staphylococcus aureus in Eco 50°C program, HKGEC2000415202 (date 08/20) issued by SGS Hong Kong Limited.



Nominal lengths:
AquaStop: 1.65 m
Drain hose: 2.15 m
Mains cable: 1.75 m
Extension:
AquaStop: 2.20 m
Drain hose: 2.00 m

* Please ensure the plinth panel is removable.
Measurements in mm



Laundry

The iSensonic washing machine from Siemens Home Appliances is the secret to best laundry care. An intelligent software orchestrates its numerous sensors in highest precision for optimal use of resources and perfect washing results, always.

Extremely quiet
Siemens built-in washer dryer is some of the quietest on the market, which also set the benchmark for low noise when spinning. Relax in the comfort that your Siemens built-in laundry appliance will minimise any noise when running.



selfCleaning condenser: continuous auto-clean for conserving energy
A selfCleaning function keeps the air condenser free of lint and other dirt accumulating after the drying cycle. This enables efficient heat exchange in the condenser and protects laundry best from excessive drying and saves time and energy.



aquaSecure
The aquaSecure safety system provides protection against water leakage. If a leak does occur, aquaSecure immediately cuts off the water supply from the tap to prevent harm to the machine or other furnitures.



foamSensor
Any residual foam in the machine is alleviated by automatic rinsing procedures combined with a low speed spinning process. This design protects sensitive skin from allergy caused by chemicals in detergent.



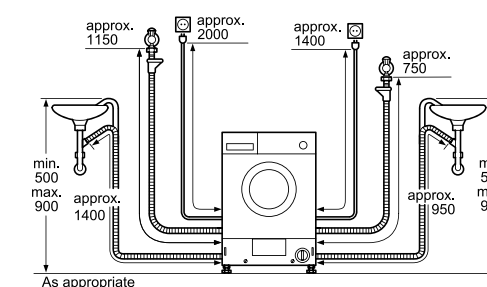
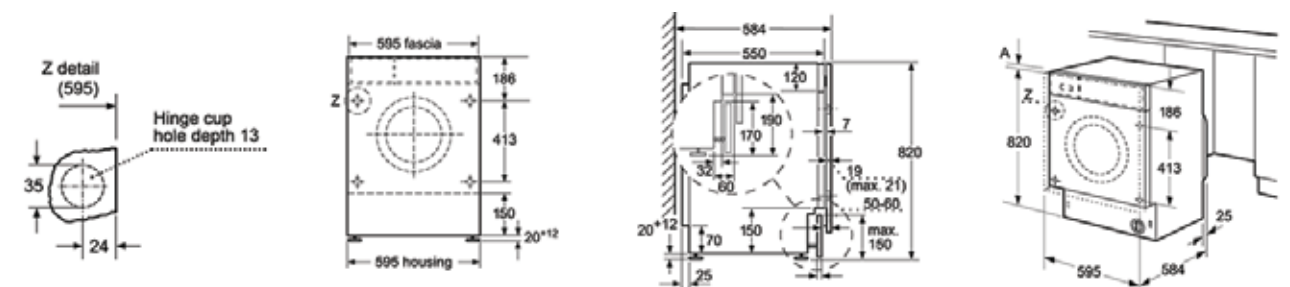
Laundry



Scan code to find out more

Fully Integrated Washer Dryer WK14D321HK

Design	<ul style="list-style-type: none"> Fully integrated Frontloading Electronic control LED display indicates selected options and status information Full flexibility of door panel at your choice (not included accessory)
Features	<ul style="list-style-type: none"> Washing capacity: 7kg Drying capacity: 4kg Spin speed selection from 600 - 1,400rpm Washing temperature from cold to 90°C Load recommendation selfCleaning condenser Drying time selection LED display indicates selected spin speed and special options, remaining time, washing / drying status Active balance system – automatically adjusts uneven distributed laundry Foam detection Start / Pause Delay end timer: 1-24 hours Programme end buzzer Childproof panel lock aquaSecure – anti-leakage system
Programmes / Additional options	<ul style="list-style-type: none"> Programmes – Cottons, Mixed Fabrics, Wool, Delicates, Easy-Care, Intensive Dry, Gentle Dry, Fluff Clean Additional options – Spin speed selection, Prewash, Intensive, Easy Iron, Water Plus, Flexi Time, Finish in time selection
Technical Information	<ul style="list-style-type: none"> Total connected load: 2.2kW (10A) Porthole hinged on the left
Appliance Dimensions (H x W x D)	820 x 595 x 584mm*
Country of Origin	Italy
Expert Services	<ul style="list-style-type: none"> Product consultation with unlimited product hotline inquiry Kitchen planning consultation with pre-installation site measurement Professional installation
Recommended Retail Price	HK\$19,800



* Please ensure the plinth panel is removable.
Measurements in mm

Accessories

Although all our appliances are equipped with the necessary accessories, extra parts may be needed for installation. Delicate and professional cleaning on products is required to keep the appliances working at its top performance. And not to forget some accessories could optimize the usage of your appliances and enhance the outlook.

Buying accessories for Siemens appliances is done quickly and conveniently. All items are now available at Siemens Home Appliances Experience Centre and our customer contact center. Not only that, you can now order your accessories via eShop that work 24/7. What's more, we can deliver the accessories to your door and also install your accessories if required.*

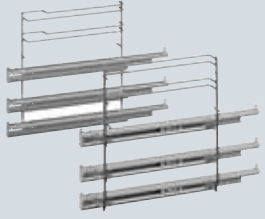
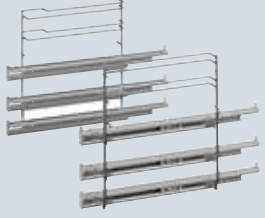
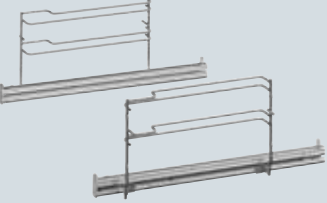



* Terms and conditions apply. For details, please consult Customer Contact Hotline.



Accessories - OVEN, STEAM OVEN, MICROWAVE OVEN

	Model	Price (HK\$)	HN678G4S6	CM656GBS1B	HS636GDS2	CS656GBS2	CD634GAS0	HB632GBS1B	HB578G5S6B	HB533ABR0H	VB558C0S0
Baking stone with wooden spatula 	HZ327000	2,300	■	■	■	■		■	■	■	■
Joining strip 	HZ66X600	900		■		■	■				
Grill tray, enameled 	HZ625071	800	■	■	■	■		■	■	■	■
Glass pan 	HZ636000	630	■	■	■	■		■	■	■	■
Pizza tray 	HZ617000	610	■	■	■	■		■	■	■	■
Water absorption sponge 	00623653	170					■				

Accessories - OVEN, STEAM OVEN, MICROWAVE OVEN

	Model	Price (HK\$)	HN678G4S6	CM656GBS1B	HS636GDS2	CS656GBS2	CD634GAS0	HB632GBS1B	HB578G5S6B	HB533ABR0H	VB558C0S0
3 level full extension telescopic rails, compatible with steam oven 	HZ638D30	2,500			■						
3 level full extension telescopic rails 	HZ638300	2,500						■	■	■	
1 level full extension telescopic rails 	HZ638D18	2,500				■					
Descaling tablets for oven steams - (3 x 36g) 	00311976	330	■		■	■	■				
Oven cleaning gel (*not apply to ecoClean® Plus and activeClean wall) - 200ml 	00311859	250	■	■	■	■	■	■	■	■	■
Cleaning gel spary for ovens (*not apply to ecoClean® Plus and activeClean wall) - 500ml 	00312008	200	■	■	■	■	■	■	■	■	■


Accessories - HOB

	Model	Price (HK\$)	ER3A6AB70X	ER3A6BB70X	ER3A6AD70L	ER3A6BD70L	EX975LXC1E	EX875LEC1E	EX675LYC1E	EH675LDC2E	EH375FBB1E	EX375FXB1E
Stainless steel roaster with steaming rack 	HZ390011 HZ390012	3,000 1,030					■	■	■			■
Griddle plate 	HZ390522	3,800					■	■	■			■
Teppan yaki 	HZ390512	3,200					■	■	■			■
Connection strip 	HZ394301	900	■	■	■	■	■	■	■	■	■	■
Ceramic glass maintenance pack - 250ml 	00311902	330	■	■	■	■	■	■	■	■	■	■
Glass scraper 	17000334	170	■	■	■	■	■	■	■	■	■	■

Accessories - HOOD

	Model	Price (HK\$)	LR97CAQ50	LF91BUB50B	LC91BUR50B	LI97SA531B	LI67SA531B
cleanAir recirculation kit - ceiling hood 	LZ20JCD50	3,500	■				
cleanAir recirculation kit - island hood 	LZ22CXC56	3,200	■				
Integrated cleanAir recirculation kit - wall mounted hood 	LZ10FXJ05	2,500		■			
cleanAir regenerative charcoal filter - ceiling, island and wall mounted hoods 	LZ00XP00	1,600	■	■	■		
Charcoal recirculating kit - island and wall mounted hoods 	LZ12CBI14	1,000		■	■		
Charcoal filter for LZ12CBI14 - island and wall mounted hoods 	LZ32CBB14	800		■	■		
Design handle strip with brand logo 	LZ49850	1,350					■
Design handle strip with brand logo 	LZ46850	1,250					■
Lowering frame - 60cm telescopic hood 	LZ46600	1,000					■
Lowering frame - 90cm telescopic hood 	LZ49601	1,000					■
Installation kit for 90cm wall unit - 90cm telescopic hood 	LZ49200	1,000					■
Charcoal recirculating kit - telescopic hoods 	LZ12IT14	1,000					■ ■
Charcoal filter for LZ12IT14 	LZ12ITB14	800					■ ■

Accessories - DISHWASHER




	Model	Price (HK\$)	SN67ZX86DM	SN61IX09TE	SR93EX20MG
<p>Wine glass tray Up to 4 stemmed glasses can be securely placed, optimally cleaned and dried without touching each other or fall over</p> 	SZ73300	640	■	■	■
<p>Bottle / tall glass holder - Helps the dishwasher spray jets reach and clean the inside of the bottle / tall glass and results in more thorough cleaning</p> 	10001630	260	■	■	■
<p>Small item clips (3pcs) - Special clips assist cleaning of small items</p> 	10001629	170	■	■	■
<p>Rack insert for stemware - Special crockery basket for washing cups and long-stemmed glasses for a thorough cleaning</p> 	00670481	780	■	■	
<p>Cutlery basket</p> 	11018806	530	■		
<p>Slim cutlery basket</p> 	00646196	330	■	■	■

	Model	Price (HK\$)	SN67ZX86DM	SN61IX09TE	SR93EX20MG	SC76M542EU
<p>Hose extension for supply and drainage (2m)</p> 	00350564	450	■	■	■	
<p>Descaler - 250g</p> 	00311886	140	■	■	■	■
<p>Cleaner - 200g</p> 	00312193	320	■	■	■	■

Accessories - COFFEE MACHINE

	Model	Price (HK\$)
<p>Cleaning tablets - (10 x 2.2g)</p> 	00311973	330
<p>Descaling tablets - (6 x 18g)</p> 	00311864	330
<p>BRITA water filter - 1pc</p> 	17000705	330

Accessories - REFRIGERATOR


	Model	Price (HK\$)	KA93DVIFPG	KS36VAI3P	GS36NAI3P
<p>Connection set</p>  <p>Connection set</p>	KS39ZAL00	1,800	■	■	
<p>UltraClarity® Pro internal water filter cartridge</p> 	11032518	1,170	■		
<p>Certified with NSF/ANSI 42, 53 & 401 standards</p>					
<p>Special cleaner for refrigerators Food safe</p> 	00312138	170	All refrigerator models		

Accessories - LAUNDRY*

	Model	Price (HK\$)
<p>Cleaner - 200g</p> 	00311887	140
<p>Descaler - 250g</p> 	00311886	140

* Suitable for all washer and washer dryer models

Accessories - PROFESSIONAL CLEANING AGENT**

	Model	Price (HK\$)
<p>Conditioning cloths - 5pc</p> 	00311944	140

** Suitable for all stainless steel surfaces

Some of the appliances pictured in this catalogue are not available in Hong Kong.

Model numbers and specifications are for reference only and are subject to change without prior notice. Siemens is continuously seeking to improve specification, design and production of its appliances and alterations may take place regularly. All descriptions and installation diagrams are intended as a guide only. For additional technical information, full dimensional and installation details, please refer to the instruction manual supplied with the appliance. Electrical and gas connections should only be made in accordance with the regulations of the national authorities.

Right of technical modification reserved, delivery subject to availability, colors of actual products may vary from illustrations.

©2023 by BSH Home Appliances Ltd. Reproduction, complete or in part, only with the express permission of the publisher.
Printed in Hong Kong. 06.2023

Your dealer will be able to provide you with reliable information.

 [Siemens Home \(HK\)](#)  [Siemens Home HK](#)  Siemens-home.bsh-group.com.hk

BSH Home Appliances Limited

BSH Home Appliances Group is a Trademark Licensee of Siemens AG

Siemens Home Appliances Flagship Showroom
G/F, HDH Centre, 8 Pennington Street, Causeway Bay

Customer Contact Hotline: 2565 6151 (Hong Kong) /
0800 030 (Macau local call only)

E-mail: siemens.hk.showroom@bshg.com

www.siemens-home.bsh-group.com.hk