

SIEMENS

創新家電科技

嵌入式家電系列

Home appliance innovations

Built-in Appliances

German
Technology



2
years

Warranty

Discover exciting possibilities.
siemens-home.bsh-group.com.hk

The future moving in.

Siemens Home Appliances

iSensoric將感應技術應用於智能家居
豈止於非凡生活

iSensoric: the sensor-technology
for an intelligent home.
For a life less ordinary.



西門子為德國享譽盛名的家電領導品牌，品牌的卓越科研成就源自其創意、完美和精確度，都是具有超過170年歷史的西門子品牌價值。與此同時，西門子重視家電環保節能，不斷應用現代化的智能科技，滿足消費者對生活追求的期望。

Siemens is the renowned German brand. The brand stands for outstanding engineering executed with creativity, precision and perfection – values that have characterized the Siemens brand for more than 170 years. Meanwhile, Siemens also pays attention on resources efficiency for the industry. The continual application of the modernized intelligence technologies, is to satisfy consumer pursue in a perfect lifestyle.

都市生活

西門子家電的外觀和整體感覺是受到世界大都會所啟發——一直站在創新技術的尖端，完美無縫地融入大都市的生活方式。通過消費者所嚮往的個人或專業上的成就所見，我們於都市風格的現代化演繹，投射出信心並反映出尊貴的社會地位。

Metropolitan Living

The look and feel of Siemens Home Appliances is inspired by the large metropolises of the world, always at the forefront of innovation and blending seamlessly into the metropolitan way of life. The modern interpretation of urbanity projects confidence and reflects high social standing through the personal as well as professional achievements to which consumers aspire.

精湛德國科技

品牌對於每項行動都以豐富的經驗、堅定的思維方式和持續追求效率為核心，亦是持續提供質量和可靠性的保證。

我們一向致力發揮被全球所公認的德國工藝，為消費者提供最高水平及優質的家電產品。

German engineering excellence

Considerable experience, a determined mindset and effectiveness at the core of each action enable Siemens Home Appliances to provide assurance on quality and reliability.

Dedication to the globally recognized virtues of German engineering enable us to provide consumers with the highest level of excellence.

German
Technology



建築美學

西門子家電提供超卓精準的技術和風格品味的保證，以滿足高生活標準的消費者——一直追求進步、不願意在產品性能上或設計上原地踏步。

為滿足消費者對可持續發展生活空間於視覺上的吸引力和經歷得起時間洗禮的渴望，我們的設計語言包含了幾何形狀和直線美學，風格富有現代感又能歷久不衰。

Architectural Design

Siemens Home Appliances deliver technical precision and stylistic assurance that respond to consumers with high living standards, who are unwilling to compromise on performance or design.

The geometric design language with its straightlined aesthetics portrays a modern, yet lasting style that fulfils the consumers' desire for sustainable living spaces that are visually appealing and future-proof.



無與倫比、專業至誠的西門子家電服務 No one knows your appliances better

專業維修與原廠零件

西門子家電推出市場的產品均達最高品質水平，但是如果您確實需要技術員維修家電，則無論在保修期內、還是之外，我們都會為您提供幫助。作為生產廠，我們的技術員團隊均接受培訓，並具有廠方的專業知識；而且我們亦使用原廠零件為您解決家電的故障問題，以確保家電品質。

Expert Repair & Original Parts

Siemens appliances are built to the highest standards but if you do require a technician to repair your appliance, we are here to help, whether your appliance is inside or outside the manufacturer's warranty. Our technicians are well-trained with know-how from manufacturer. We only use original spare parts to ensure the quality of your appliances as a manufacturer.



為您的家電錦上添花

無論您需要焗盤、洗碗碟機籃架還是濾水器，您都可以在西門子網上商店找到所需產品。西門子網上商店提供各類原廠配件均專為您的家電而設計，並得到西門子認可，確保最優質的使用效果，以充分發揮家電的潛力。而經原廠測試及檢定的清潔及護理產品系列，則確保最優質的清潔效果及可維持您的家電處於最佳狀態。

Add the best to your appliance

You can order accessories and cleaning products quickly and easily via our Siemens online shop. The Siemens shop has an extensive selection of accessories to help you get the most out of your Siemens appliance. With our range of tested and approved cleaning and care products you can keep your appliance looking great and working at its optimum performance.



隨時為您效勞

不論是家電功能和使用的貼士與說明，或是功能和故障排除的問題，我們友善及專業的西門子客戶服務團隊隨時為您解決有關西門子家電上的所有問題。我們同時提供網頁上支援中心及Youtube頻道上的貼士短片，方便您隨時查看。

At your service

From tips and explanations concerning usage and appliance features to problems concerning faults, functions and troubleshooting, our friendly, expert Siemens customer service team is at your service for all your questions about your appliances. Do check out our online assistance at website and self-help videos at our Youtube channel.



屢獲殊榮，信心保證

西門子家電領導業界，建基於我們對品質與工藝的堅持。所有西門子家電在推出市場前都必須符合嚴格的品質檢控，再經專業品質監控人員於工廠進行嚴謹的審核及測試，包括評估家電壽命及最高耐力的24小時壓力測試、門鉸耐力測試及負載力測試等，確保產品達到甚至超越國際標準，以及客戶的期望。只有符合所有測試水平的家電方可推出市場，客戶自然用得安心又放心。

Award-winning quality you can feel

Siemens Home Appliances leads the industry with our commitment to quality and craftsmanship. Our products are designed and made meeting the most stringent set of requirements. From 24-hour operation stress tests to evaluate our appliances' lifespan and maximum tolerance, to extensive door hinge durability and shelf load tests, we go the extra mile to ensure our products meet and exceed all related international standards – as well as your expectations – at the moment they leave the assembly lines.



安心之選，無憂享受

西門子家電至臻完美，為令每位客戶可以無後顧之憂地享用各款產品，為全線產品提供選購後至少2年的全機保養。另外，所有西門子雪櫃的壓縮機均有5年保養，而個別型號洗衣機及抽油煙機如備有iQdrive無刷式變頻摩打及洗碗碟機內桶防鏽穿的保養期為10年。同時，客戶可按需要延長貨品保養期，務求讓每位客戶用得愜意安心。

Complete peace of mind

We pride ourselves in providing the best of the best. We back up our confidence by offering our customers 2-year full warranty for our entire product portfolio. In addition, we offer 5-year warranty for the compressor installed in our refrigerators; and a 10-year warranty for iQdrive motor of the washing machines & cooker hoods and the protection against rust-through in the inner tub of all dishwashers. Customers may even opt to extend their warranties to enjoy our services for a longer period if they desire. These extensive offers afford the luxury for all our customers to enjoy a complete peace of mind when using our appliances.



高效率的送貨安裝服務

購置新家電令人雀躍萬分，總希望能縮短等候時間，盡快安裝。為了讓每位客戶能盡快享用產品，西門子家電的送貨及安裝團隊最快可於接到訂單的第二天將貨品送抵府上(周日及公眾假期除外)，安置妥當。

Have it at your doors, pronto

To make sure you get to use your new purchases as soon as possible, Siemens Home Appliances has its own logistics and installation staff to deliver and install your new products on the next day after confirmation of your order^ (except Sundays and public holidays).



體貼的售前專業諮詢服務

為了讓每位客戶能安心享用我們的產品，客戶甚至可在選購之前，安排專業技術人員親臨府上，就有意購置的嵌入式、獨立式家電進行實地檢查，並提供專業安裝諮詢服務。我們樂意在客戶購置產品後，為客戶測試水壓及進行其他相關測試，如有需要更會提供減壓器*或接地電壓插座*。以客為尊，全心全意為您做到最好。

Get a consultation visit by professionals... before you even get your appliances

To make sure you get to enjoy our product to the fullest extent, we can send our professionals to you for a consultation visit and advise you on the installation of built-in home appliances or freestanding home appliances even before you have bought it! We are also happy to help you test your home's various specifications such as water pressure, provide you with tools or accessories such as pressure regulator* after you have finalised your purchase and offer advice on changing your RCD adaptor*. You may ask: Why? Simply because we think you'd like the extra effort we put in.



*視乎時間表安排而定 Subject to time schedule availability
*受推廣條款及細則約束 Subject to the promotional terms and conditions

完美的陣容 The perfect line up.

焗爐 Oven



- 7合1智能微蒸烤
7-in-1 Steam oven with microwave function
- 3D立體循環熱風
3D hotAir

微蒸烤焗7式煮，珍饈百味在家嚐
全新西門子7合1智能微蒸烤焗爐，一機擁有3大煮食功能，包括蒸煮、烤焗、微波。可獨立使用，亦可混合使用，以微、蒸、烤三重加熱方式，不但令食材外脆內嫩之餘，更可縮短烹調時間達60%¹。

7-in-1 Steam oven with microwave function.
A Delicious Feast at Home
One appliance, 3 cooking functions: steam, hot air or microwave. Simply use the combination of hot air, steam and microwave cooking to prepare perfectly crispy and juicy dishes with 60%¹ less cooking time.

3D立體循環熱風

3D立體循環熱風，將熱風均勻覆蓋爐腔每一個角落，配合多重熱感偵測器，全方位監控爐溫，使爐腔溫度穩定，確保食物均勻受熱，口感一致，色澤一貫。

3D hotAir

With 3D hotAir, the hot air is distributed evenly throughout the oven. The multiple heating sensors monitor and control the temperature within the insulated interior leading to consistent and perfect cooking results.



煮食爐 Hob

電磁爐 Induction Hob



- 火力加強功能
PowerBoost

煤氣爐 Gas Hob (Towngas)



- 5.5kW雙環火爐頭
dual wok burner
with 5.5kW

powerBoost火力加強功能

powerBoost功能可縮短加熱時間高達50%。這樣在加熱或烹飪大量食物時可以節約時間。

powerBoost function

Use powerBoost to increase the power of an induction zone by up to 50%. That could save you the time to heat up pots. Spend less time waiting and more time stirring, seasoning and serving your brilliant meals.



5.5kW雙環火爐頭

火力高達5.5kW，可獨立控制內外火圈是烹調各種食物的理想選擇，即使烹調大量食物也能得心應手。

dual wok burner with 5.5 kW

The dual wok burner with 5.5kW makes cooking faster, more convenient and more powerful – with a wide variety of foods, even in large quantities.

抽油煙機 Hood



- iSteam自動清洗
iSteam Auto Cleaning
- 強力瞬抽
Booster

iSteam自動清洗

iSteam以100°C蒸氣進行清洗，透過高壓噴咀噴洗風輪，使蒸氣有效滲透機內每個角落，只需清水，無需使用任何化學清潔劑也可去除98.6%²油污，達致潔淨除油效果。

iSteam Auto Cleaning

Hygienic and chemical-free cleaning at 100°C. The high-pressure ejectors dispense high-temperature steam to soften and wash off the dirt, effectively remove 98.6%² grease, even in hidden corners.



強力瞬抽

只需一按，排風量瞬間提升至1,200m³/h長達5分鐘，按您的需要把油煙抽走。

Booster

Gives a 5-minute boost to increase ventilation speeds up to 1,200m³/h, refreshing your living space.



洗碗碟機 Dishwasher



- 有效去除99.999%*細菌及病菌
Remove 99.999%* of bacteria and germs
- 進階快速洗滌
varioSpeed plus

有效去除99.999%*細菌及病菌

洗碗碟機使用高達70°C熱水進行沖洗，有效去除99.999%*細菌及病菌，保障你及家人衛生。

Remove 99.999%* of bacteria and germs

Siemens dishwasher can reach up to 70°C high temperature during rinsing cycle, remove 99.999%* of bacteria and germs, giving you the most hygienic wash possible.



進階快速洗滌

進階快速洗滌功能為您於最短時間內提供最佳清洗及烘乾選擇。只需一按便可縮短洗滌時間高達66%³。因此，總能在最短的時間內完成洗滌和烘乾，而且餐具閃亮照人。

varioSpeed Plus

Optimally wash and dry a large load of dishes within the shortest possible time – thanks to varioSpeed Plus. Just press a button and the cleaning time will be reduced by up to 66%³. The result is sparkling and dry dishes in a shorter time.



冷藏產品 Cooling

- hyperFresh Plus
保鮮系統
hyperFresh Plus system
- 冷凍功能
superCooling



hyperFresh plus

The hyperFresh plus drawers keep vegetables, salad and fruits fresh much longer by controlling the internal humidity; the compartment keeps food from drying out and keeps minerals and nutrients.

hyperFresh plus

當儲存大量新鮮食物時，可按Super鍵，保鮮格/冰格內的溫度即迅速急降，為新鮮食物急速降溫，亦避免影響櫃內的食物。



Super冷藏 / 冷凍功能

To store large quantities of new fresh food, a press of the Super button will rapidly lower the temperature of either fridge or freezer compartments. This quickly cools new contents to retain their freshness.

Super cool and Super freeze setting

SuperCooling
superFreezing



衣物護理 Laundry Care

- 自動冷凝器
清洗功能
selfCleaning
condenser
- 輕柔烘乾
Gentle drying



絨毛清理及自動冷凝器清洗功能

定期使用絨毛清理程序能有效去除洗衣筒及整個冷凝器內的絨毛，可以長期保持最佳的烘乾效率及能源效益及同時避免積聚的絨毛滋生細菌造成二次污染，令衣物達到透徹的潔淨衛生。而每次乾衣時均會自動清洗冷凝器減小於烘乾期間絨毛累積，有效提高乾衣效率並同時避免絨毛吹回潔淨的衣物上。

Fluff Clean & selfCleaning condenser

Fluff clean function can help to clean entire drum & condenser to prevent clogged by fluff. Which can stay enduringly energy-efficient and prevent bacteria cause secondary pollution. And selfCleaning condenser is automatically cleared of lint several times during every cycle by flushing fluff out with water to enhance the drying efficiency.



輕柔烘乾

減低乾衣溫度，呵護纖幼的衣物。
Gentle drying
A lower temperature drying cycle takes care of those delicate and soft fabrics.

¹ 博西華家電器有限公司內部測試。Based on internal test by BSH Home Appliances Limited.

² 經由香港通用檢測認證有限公司(SGS)樣品測試評估，研究報告：HKES1903000028602 (04/2019)。Study report No. HKES1903000028602 issued by SGS Hong Kong Limited dated 04/2019.

³ 經實驗室測試，以Eco50°C清洗程序，能有效去除99.999%的大腸桿菌及金黃葡萄球菌。香港通用檢測認證有限公司(SGS)測試報告HKGEC2000415202 (日期：08/20)。99.999% reduction on Escherichia coli, Staphylococcus aureus in Eco 50°C program, HKGEC2000415202 (date 08/20) issued by SGS Hong Kong Limited.

³ 不適用於預洗和超快洗程序。Does not apply to pre-rinse or quick-wash programmes.

焗爐 Oven



CP269AGS0K	CS589ABS0H	HB533ABR0H
45厘米嵌入式7合1智能微蒸烤焗爐 45cm Built-in steam oven with MW function	45厘米嵌入式3合1蒸焗爐 45cm Built-in combination steam oven	60厘米嵌入式焗爐 60cm built-in oven
設計 DESIGN		
4.3吋彩色文字及圖像顯示 4.3" TFT color and graphic display	LCD顯示屏 LCD display	LCD顯示屏 LCD display
輕觸式功能 Touch control	輕觸式功能 Touch control	輕觸式功能及旋轉操控 Touch control with rotary knob
4層盤架 4 shelf levels	4層盤架 4 shelf levels	5層盤架 5 shelf levels
不銹鋼爐腔 Stainless steel oven interior	不銹鋼爐腔 Stainless steel oven interior	搪瓷爐腔 Enamel oven interior
ecoClean® Plus塗層背板 (Back wall)		ecoClean® Plus塗層背板 (Back wall)
程式 PROGRAMMES		
加熱模式 Cooking methods: 15	加熱模式 Cooking methods: 8	加熱模式 Cooking methods: 4
純蒸氣·添加蒸氣 fullSteam, pulseSteam	110°C深度蒸煮 110°C over steam	上下加熱 Top and bottom heating
微、蒸、烤三重加熱方式 Combination of hot air, steam and microwave	熱風燒烤添加蒸氣功能 Combination of hot air grill and steam	
智能中西食譜 iRecipe: 30	自動烹調程式 Automatic cooking programmes: 25	
技術資料 TECHNICAL INFORMATION		
容量 Capacity: 36L	容量 Capacity: 45L	容量 Capacity: 71L
水箱容量 Water tank capacity: 0.8L	水箱容量 Water tank capacity: 1.2L	
加熱溫度 Heating temperature: 35°C-230°C	加熱溫度 Heating temperature: 35°C-230°C	加熱溫度 Heating temperature: 50°C-275°C
燒烤輸出 Grill output: 2kW (最高 Max)		
微波輸出 Microwave output: 1kW (最高 Max)		
總功率 Total connected load: 3.2kW (20A)	總功率 Total connected load: 2.9kW (20A)	總功率 Total connected load: 3.6kW (20A)
產品尺寸(高 x 闊 x 深) DIMEMNSION (H x W x D)		
455 x 594 x 545 mm	455 x 595 x 568 mm	595 x 594 x 548 mm
原產地 COUNTRY OF ORIGIN		
中國 China	中國 China	波蘭 Poland
建議零售價 RECOMMENDED RETAIL PRICE		
HK\$30,800	HK\$19,800	HK\$11,800



CD573GBS0H	CM585AMS0B	BE525LMS0H
45厘米嵌入式蒸爐 45cm Built-in steam oven	45厘米嵌入式微波焗爐 45cm Built-in oven with microwave	嵌入式微波爐配備燒烤功能 Built-in microwave with grill
設計 DESIGN		
LCD顯示屏 LCD display	LCD顯示屏 LCD display	LED顯示屏 LED display
輕觸式功能及旋轉操控 Touch control with rotary knob	輕觸式功能及旋轉操控 Touch control with rotary knob	輕觸式功能 Touch control
4層盤架 4 shelf levels	轉盤直徑 Turntable diameter: 360mm	轉盤直徑 Turntable diameter: 255mm
不銹鋼爐腔 Stainless steel oven interior	不銹鋼爐腔 Stainless steel oven interior	不銹鋼爐腔 Stainless steel oven interior
程式 PROGRAMMES		
蒸煮模式 Cooking method: 1	加熱模式 Cooking methods: 5	加熱模式 Cooking methods: 2
	熱風燒烤附加微波功能 Combination microwave and hotair function	熱風燒烤附加微波功能 Combination microwave and grill function
	自動烹調程式 Automatic cooking programmes: 15	自動烹調程式 Automatic cooking programmes: 8
技術資料 TECHNICAL INFORMATION		
容量 Capacity: 38L	容量 Capacity: 44L	容量 Capacity: 20L
水箱容量 Water tank capacity: 1.1L		
加熱溫度 Heating temperature: 35°C-100°C	加熱溫度 Heating temperature: 40°C-230°C	
	燒烤輸出 Grill output: 1.75kW (最高 Max)	燒烤輸出 Grill output: 1kW (最高 Max)
	微波輸出 Microwave output: 900W (最高 Max)	微波輸出 Microwave output: 800W (最高 Max)
總功率 Total connected load: 1.85kW (13A)	總功率 Total connected load: 3.35kW (20A)	總功率 Total connected load: 1.75kW (13A)
產品尺寸(高 x 闊 x 深) DIMEMNSION (H x W x D)		
455 x 595 x 563 mm	454 x 594 x 570 mm	382 x 594 x 317 mm
原產地 COUNTRY OF ORIGIN		
中國 China	中國 China	中國 China
建議零售價 RECOMMENDED RETAIL PRICE		
HK\$14,800	HK\$13,800	HK\$5,490

煮食爐 Hob



EH8P5260HK	EH8P5261HK	ER7EA233HK
電磁爐 Induction hob	電磁爐 Induction hob	氣體爐 Gas hob
設計 DESIGN		
touchSlider控制面板	touchSlider控制面板	黑色強化玻璃 Black tempered glass
黑色陶瓷玻璃 Black SCHOTT CERAN® glass	黑色陶瓷玻璃 Black SCHOTT CERAN® glass	煤氣設定 Preset Towngas
計時及自動關機功能 Timer with cooking zone shut-off function	計時及自動關機功能 Timer with cooking zone shut-off function	可獨立控制內、外環火 Individual control of inner and outer flame
餘溫顯示 Residual heat indicator: 2段 (stage)	餘溫顯示 Residual heat indicator: 2段 (stage)	輔助小鍋架 Mike trivet
程式 PROGRAMMES		
火力 Power: 17段 (level)	火力 Power: 17段 (level)	火力 Power: 5.5kW (最高 Max)
火力加強功能 powerBoost function	火力加強功能 powerBoost function	安全燃火裝置 Safety flame device
技術資料 TECHNICAL INFORMATION		
功率 Power: 3.5kW (20A) 左 Left: 1.8kW 火力加強 with booster: 3.1kW 右 Right: 1.8kW 火力加強 with booster: 3.1kW	功率 Power: 2.8kW (13A) 左 Left: 1.8kW 火力加強 with booster: 2.8kW 右 Right: 1.8kW 火力加強 with booster: 2.8kW	功率 Power: 11kW (D 電池 battery) 左 Left: 5.5kW 右 Right: 5.5kW
香港能源標籤2級 HK energy label: Grade 2	香港能源標籤2級 HK energy label: Grade 2	
產品尺寸(高x闊x深) DIMENSION (H x W x D)		
65 x 780 x 450 mm	65 x 780 x 450 mm	140 (80*) x 720 x 400 mm
原產地 COUNTRY OF ORIGIN		
中國 China	中國 China	中國 China
建議零售價 RECOMMENDED RETAIL PRICE		
HK\$6,980	HK\$5,890	HK\$4,990

* 由爐架頂部至枱面。 From pan support to cooktop.

抽油煙機 Hood



LU83S750HK	LU83S710HK	LU83S720HK
iSteam雙氣旋抽油煙機 iSteam dualTurbo cooker hood	iSteam雙氣旋抽油煙機 iSteam dualTurbo cooker hood	iSteam雙氣旋抽油煙機 iSteam dualTurbo cooker hood
設計 DESIGN		
不銹鋼色 Stainless steel color	白色 White color	銀色 Silvery color
雙氣旋一體式摩打 dualTurbo drive	雙氣旋一體式摩打 dualTurbo drive	雙氣旋一體式摩打 dualTurbo drive
輕觸式按鍵連LED顯示 Touch button with LED display	輕觸式按鍵連LED顯示 Touch button with LED display	輕觸式按鍵連LED顯示 Touch button with LED display
照明燈 Light: LED	照明燈 Light: LED	照明燈 Light: LED
超長不銹鋼油杯 Extra-Wide stainless steel oil cup	超長金屬油杯 Extra-Wide metal oil cup	超長金屬油杯 Extra-Wide metal oil cup
程式 PROGRAMMES		
iSteam自動清洗功能 iSteam auto clean	iSteam自動清洗功能 iSteam auto clean	iSteam自動清洗功能 iSteam auto clean
抽力選擇 Suction power selection: 3+1段 (level)	抽力選擇 Suction power selection: 3+1段 (level)	抽力選擇 Suction power selection: 3+1段 (level)
airFresh空氣清新15分鐘	airFresh空氣清新15分鐘	airFresh空氣清新15分鐘
Booster強力瞬抽	Booster強力瞬抽	Booster強力瞬抽
技術資料 TECHNICAL INFORMATION		
排風量 Air Flow Rate: 1,200m ³ /h*	排風量 Air Flow Rate: 1,200m ³ /h*	排風量 Air Flow Rate: 1,200m ³ /h*
產品尺寸(高x闊x深) DIMENSION (H x W x D)		
155 x 705 x 520 mm	155 x 705 x 520 mm	155 x 705 x 520 mm
原產地 COUNTRY OF ORIGIN		
中國 China	中國 China	中國 China
建議零售價 RECOMMENDED RETAIL PRICE		
HK\$4,190	HK\$3,990	HK\$3,990

* 此乃不帶排風喉的排風量。 The figure is measured at the hood's exhaust outlet.

洗碗碟機 Dishwasher



冷藏產品 Cooling



衣物護理 Laundry Care



SC76M542EU	KI86NAF31K	WK14D321HK
嵌入式洗碗機 Built-in modular dishwasher	嵌入式2門雪櫃，下置冰箱 Built-in 2 door refrigerator, bottom freezer	嵌入式洗衣乾衣機 Fully integrated Washer Dryer
設計 DESIGN		
不銹鋼機腔 Stainless/ Polinox cavity material	LED櫃內電子溫度控制及顯示 LED display and touch control of fridge and freezer sections	LED多功能顯示屏 LED display indicates
標準餐具籃及直身刀叉籃 Standard basket with cutlery basket	hyperFresh plus蔬果鎖濕貯存格	超感平衡系統 Active balance system
三重防漏安全裝置 aquaStop anti-flood system	2循環製冷系統獨立溫度控制 2 cooling circuits	aquaSecure防漏安全裝置
	3個抽屜式冷凍保存格(1個BigBox特大儲存格) 3 drawers, including 1 bigBox	
	變頻壓縮機 Inverter compressor	
程式 PROGRAMMES		
清洗程序 Washing programmes: 6 (包括 including: 特強去污清洗 Intensive wash 70、 自動感應清洗 Auto wash45°C-65°C)	superCooling 冷凍功能	洗衣程序 Washing Programmes: 13 (包括 including: 棉質衣物 Cottons、混合衣物 Mixed fabrics、 羊毛衣物 wool、纖幼/絲質衣物 Delicates、 輕柔衣物 Easy-care、絨毛清理 Fluff clean)
特別功能 Functions: 4 (進階快速洗滌 varioSpeed plus、 鍋具集中除污 IntensiveZone、 高溫倍護 HygienePlus、加倍烘乾 ExtraDry)	假日模式 Holiday mode	乾衣程序 Drying program: 2 特強烘乾 Intensive dry、低溫烘乾 Gentle dry
		額外功能 Additional options: (包括 including: 預洗 Prewash、強力去污 Intensive、 防鐵易熨 Easy Iron)
		冷凝器自動清洗 selfCleaning condenser
技術資料 TECHNICAL INFORMATION		
碗碟清洗量 Place setting: 8	總淨容量 Total net capacity: 254L	洗衣量 Washing load: 7kg
用水量 Water: 9L*	冷凍室淨容量 Net fridge capacity: 187L	乾衣量 drying load: 4kg
	冷藏室淨容量 Net freezer capacity: 67L	脫水轉速 Spin speed selection: 600 – 1,400轉/分鐘 (rpm)
		香港能源標籤1級 HK energy label: Grade 1
		香港能源標籤1級 HK water label: Grade 1
產品尺寸(高x闊x深) DIMENSION (H x W x D)		
595 x 595 x 500 mm	1,772 x 558 x 545 mm	820 x 595 x 584 mm
原產地 COUNTRY OF ORIGIN		
西班牙 Spain	德國 Germany	意大利 Italy
建議零售價 RECOMMENDED RETAIL PRICE		
HK\$16,800	HK\$24,800	HK\$19,800

* 節能清洗 Eco Wash 50°C

清潔配件 Cleaning Accessories

煮食與烘焙 Cooking & Baking



00311902
陶瓷玻璃爐具保養
套裝
Ceramic Glass
Maintenance Pack
建議零售價
Recommended
retail price :
HK\$310



00312206
廚房濃縮除污噴劑
Degreaser for Home
Appliances
建議零售價
Recommended
retail price :
HK\$160



00312008
焗爐專用清潔啫喱
噴劑
Oven Cleaning
Gel Spray
建議零售價
Recommended
retail price :
HK\$180



00311976
蒸焗爐除鈣片
Descaling Tablets for
Steam Ovens (3 pcs)
建議零售價
Recommended
retail price :
HK\$310



00311859
焗爐專用清潔啫喱
Oven Cleaning Gel
建議零售價
Recommended
retail price :
HK\$230



00312138
雪櫃清潔劑
Special Cleaner
for Refrigerators
建議零售價
Recommended
retail price :
HK\$160

碗碟護理 Dishwasher



00311954
洗碗碟機洗碗塊
Dishwasher Tablets
(30 塊 tabs)
建議零售價
Recommended
retail price :
HK\$99



00311955
洗碗碟機光亮劑
Dishwasher Rinse Aid
(500ml)
建議零售價
Recommended
retail price :
HK\$99



00312193
洗碗碟機清潔劑
Machine Cleaner
for dishwashers
建議零售價
Recommended
retail price :
HK\$300

衣物護理 Laundry Care



00311993
洗碗碟機護理劑
Dishwasher Care
建議零售價
Recommended
retail price :
HK\$130



00311887
洗衣機滾筒清潔劑
Washing Machine
Cleaner
建議零售價
Recommended
retail price :
HK\$130

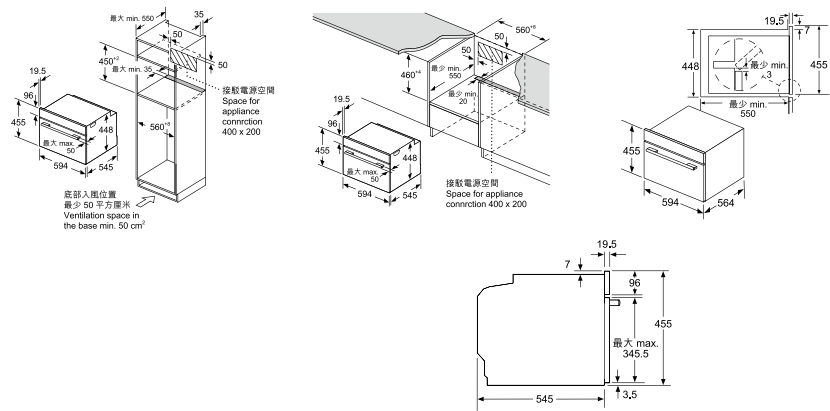


00311886
洗衣機及洗碗碟機
快速除鈣劑
Quick Descaler for
washing machine
and dishwashers
建議零售價
Recommended
retail price :
HK\$130

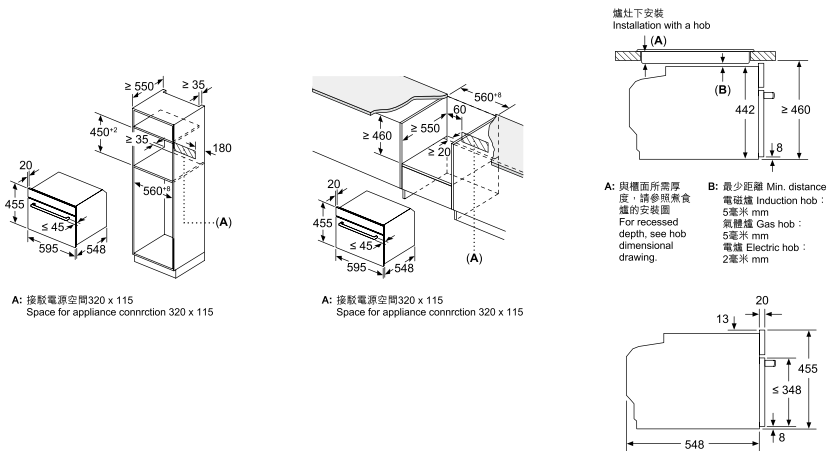
尺寸圖 Technical Diagrams

焗爐尺寸圖 Oven technical diagrams

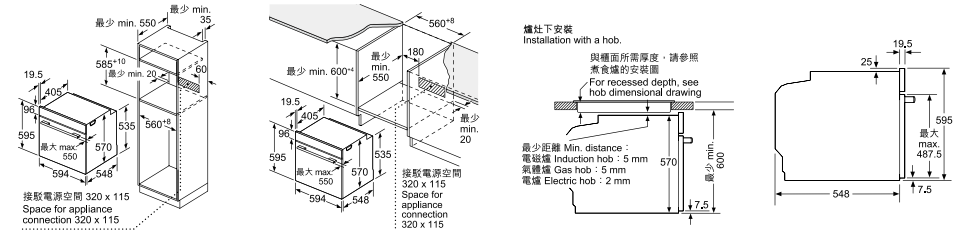
7合1微蒸烤焗爐 7in1 Steam oven with Microwave function CP269AGS0K



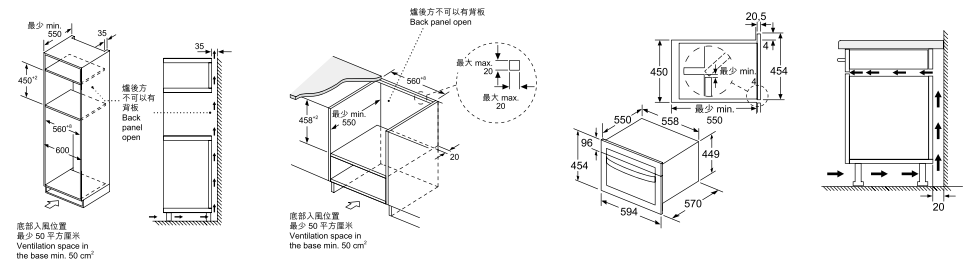
3合1蒸焗爐 Combination Steam oven CS589ABS0H



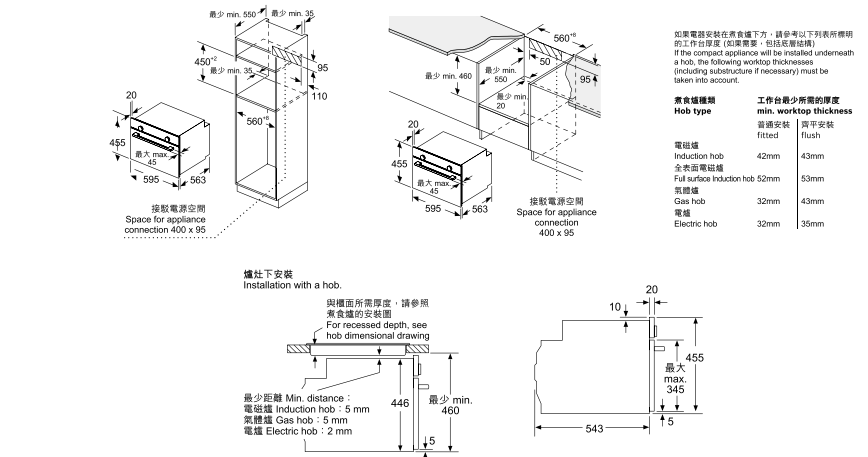
焗爐 Combination oven HB533ABR0H



2合1微波焗爐 Combination oven with Microwave CM585AMS0B



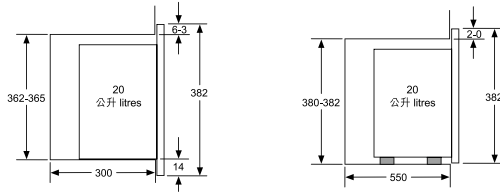
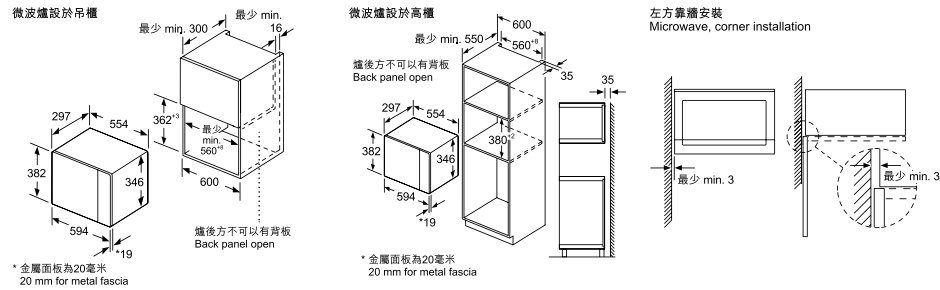
蒸焗爐 Steam oven CD573GBS0H



尺寸圖 Technical Diagrams

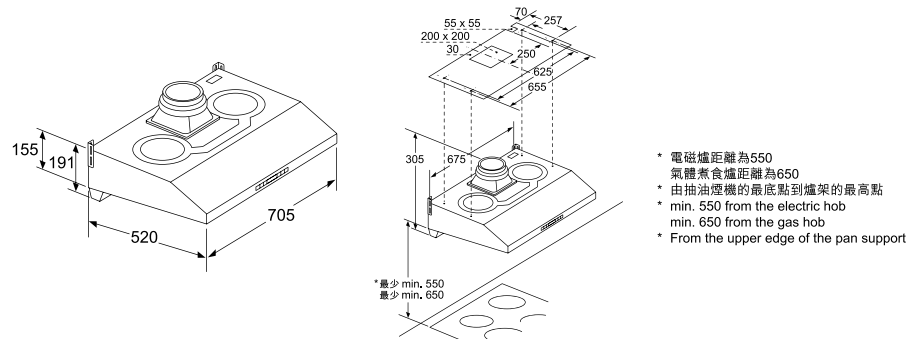
微波爐尺寸圖 Microwave oven technical diagrams

BE525LMS0H



抽油煙機尺寸圖 Hood technical diagrams

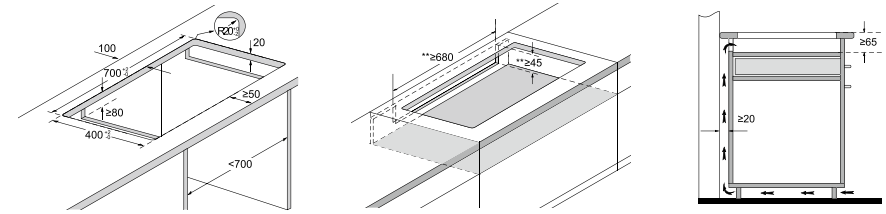
LU83S750HK / LU83S720HK / LU83S710HK



若於櫥櫃底安裝，建議櫥櫃上方空間不少於300毫米以安裝排風喉。
For under-cabinet installation, the recommended space of cabinet is 300mm or above to facilitate installation of the flue pipe.

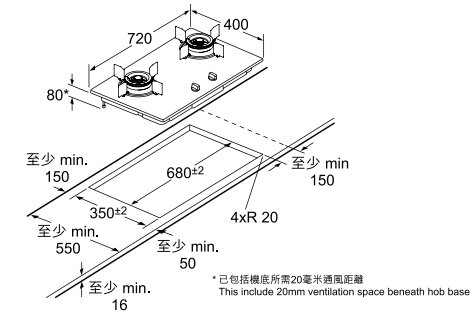
煮食爐尺寸圖 Hob technical diagrams

電磁爐 Induction hob EH8P5260HK / EH8P5261HK



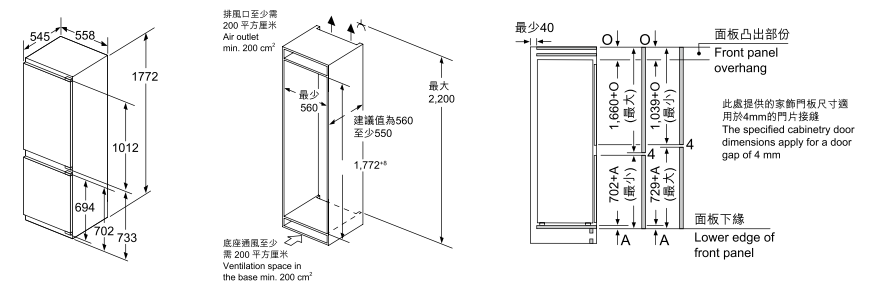
* 此櫃面開孔與牆/背擋板的最少距離 Minimum distance from the hob cut-out to the wall/backsplash
** 櫥櫃背部通風開孔 A 680mm wide and 45mm high aperture must be cut at the top section at the back of the kitchen cabinet

煤氣爐 Gas hob ER7EA233HK



冷藏產品尺寸圖 Cooling technical diagrams

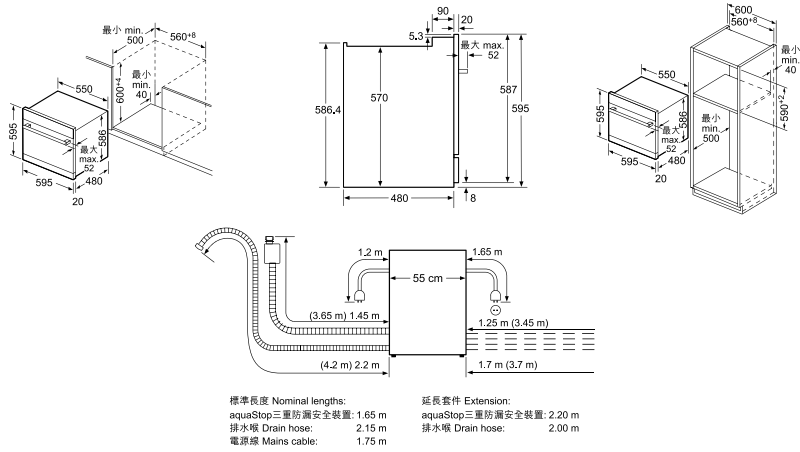
嵌入式2門雪櫃，下置冰箱 Built-in 2 door refrigerator, bottom freezer KI86NAF31K



尺寸圖 Technical Diagrams

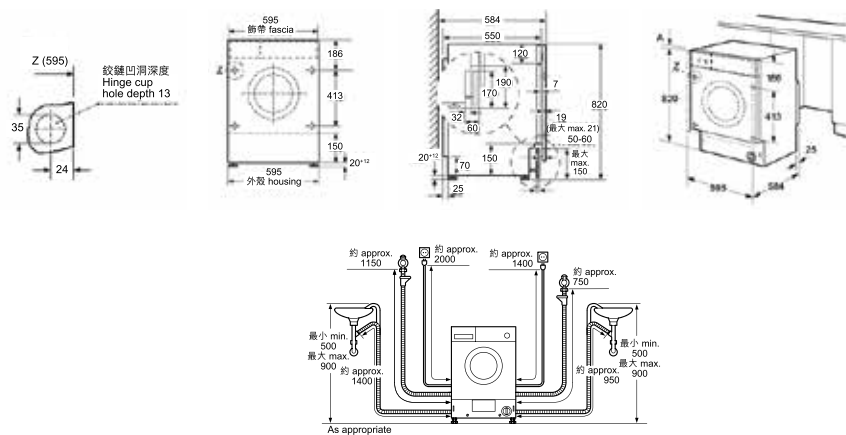
洗碗碟機尺寸圖 Dishwasher technical diagrams

嵌入式洗碗碟機 Built-in modular dishwasher **SC76M542EU**



衣物護理尺寸圖 Laundry technical diagrams

嵌入式洗衣乾衣機 Built-in washer dryer **WK14D321HK**



尚有一系列西門子家電 就讓我們為您一一展現
 Siemens Home Appliances offers a wide selection of the latest appliances



型號及規格只供參考，如有改動恕不另行通知。

Model numbers and specifications are for reference only and subject to change without prior notice.

博西華家用電器有限公司保留更改以上產品功能資料之權利。

產品實物之顏色可能與相片有輕微差異。

Right of technical modification reserved, delivery subject to availability, colors of actual products may vary from illustrations.

®註冊商標

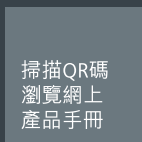
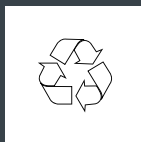
®Registered trademark.

©2022博西華家用電器有限公司。所有權利保留。本目錄冊所載的全部內容及資料均屬博西華家用電器有限公司所有，且受版權保護。

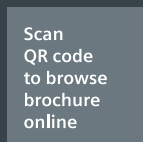
任何人士如未獲博西華家用電器有限公司事先給予書面許可，不得複製、轉載、發放或擅用本目錄冊的任何內容或資料。香港印製 06.2022

©2022 BSH Home Appliances Limited. All rights reserved. All contents and information contained in this catalogue are proprietary to BSH Home Appliances Limited and are subject to copyright protection. Reproduction, republication, redistribution or unauthorised use of any content or information contained in this catalogue is expressly prohibited without the prior written consent of BSH Home Appliances Limited.

Printed in Hong Kong 06.2022



掃描QR碼
瀏覽網上
產品手冊



Scan
QR code
to browse
brochure
online



博西華家用電器有限公司

BSH集團是西門子股份公司的特許商標持有人

BSH Home Appliances Limited

BSH Group is a Trademark Licensee of Siemens AG

Siemens Home Appliances Experience Centre

中環雪廠街16號西洋會所大廈5樓 (入口位於都爹利街)

5/F, Club Lusitano, 16 Ice House Street, Central, Hong Kong (main entrance on Duddell Street)

客戶服務專線 Customer Contact Hotline:

2565 6151 (香港 Hong Kong) / 0800 030 (澳門本地專用 Macau local call only)

電郵 E-mail: siemens.hk.showroom@bshg.com

www.siemens-home.bsh-group.com.hk



facebook.com/SiemensHomeHongKong