



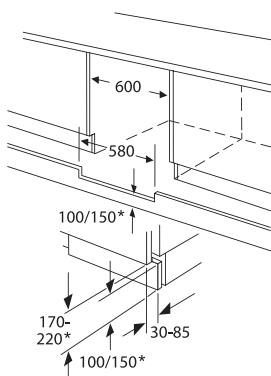
Scan code to find out more



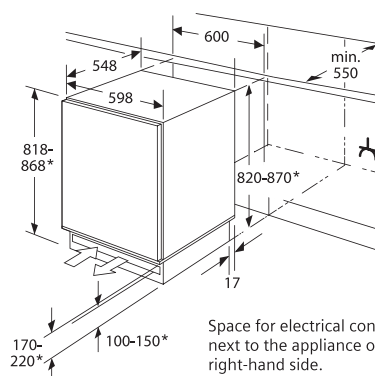
New!

Built-in freezer GU15DAFF0G

Features	<ul style="list-style-type: none"> • Interior temperature control • Door right hinged, reversible
Freezer Section	<ul style="list-style-type: none"> • Super freeze function • Manual defrost • 3 drawers • Freezing calendar • Audible and visual alarm
Technical Information	<ul style="list-style-type: none"> • Total net capacity: 98L • Noise level: 38dB • Annual energy consumption: 184kWh • Freezing capacity (24 hrs): 12kg • Storage time in power failure: 23 hrs • Total connected load: 0.09kW (13A)
Supplied Accessory	<ul style="list-style-type: none"> • 1 ice cube tray
Appliance Dimensions (H x W x D)	818-868 x 598 x 548mm
Country of Origin	Germany
Expert Services	<ul style="list-style-type: none"> • Product consultation with unlimited product hotline inquiry • Kitchen planning consultation with pre-installation site measurement • Professional installation
Recommended Retail Price	HK\$15,800



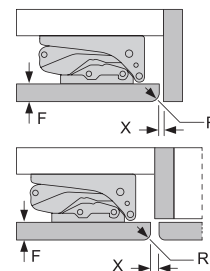
* Please ensure the plinth panel is removable



* Variable base/ substructure height

Space for electrical connection next to the appliance on the left or right-hand side.
Ventilation in the base.

Recommended gap dimensions for flat hinges



	F	R	X
16-19	0-3	2,5	
	20	0-1	3
	2-3	2,5	
21	0-1	3	
	2-3	2,5	
22	0	4	
	1	3,5	
	2-3	3	

The gap dimensions recommended in the table must be adhered to in order to ensure that appliance doors do not collide with anything when they are opened, and to avoid causing damage to kitchen units.

This appliance is best installed in a dry and/or air-conditioned room.

Measurements in mm

BSH Home Appliances Limited

BSH Home Appliances Group is a Trademark Licensee of Siemens AG

Customer Contact Hotline: 2565 6151 (Hong Kong) / 0800 030 (Macau local call only)

Website: www.siemens-home.bsh-group.com.hk

• Specification and technical information subject to change.

• Right of technical modification reserved, colours may vary slightly from illustrations.

© 2021 by BSH Home Appliances Limited. Reproduction, complete or in part, only with the express permission of BSH.