

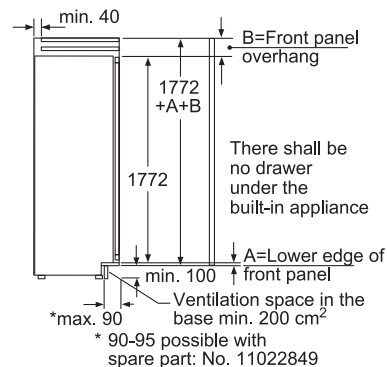
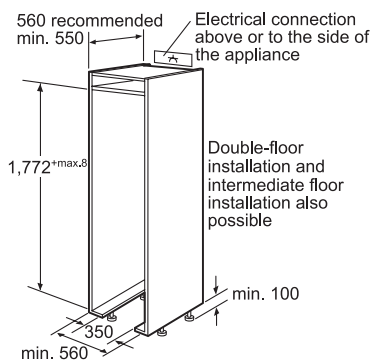
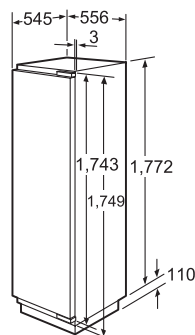
Cooling – coolConcept



Scan code to find out more

Built-in 1-door freezer GI38NP61HK

Features	<ul style="list-style-type: none"> • LED display and touch control • Flush folding hinge • Soft closing door 	<ul style="list-style-type: none"> • Door left hinged, reversible • Telescopic rail drawers • Inverter compressor
Freezer Section	<ul style="list-style-type: none"> • No frost • LED interior light • Super freeze function with automatic deactivation • 2 hinged freezer compartments • 5 drawers • 6 glass shelves 	
Technical Information	<ul style="list-style-type: none"> • Total net capacity: 210L • Noise level: 40dB • Annual energy consumption: 239kWh • Freezing capacity (24hrs): 18kg • Storage time in power failure: 11hrs • Total connected load: 0.12kW (10A) 	
Supplied Accessories	<ul style="list-style-type: none"> • 2 cool packs • 1 ice cube tray 	
Appliance Dimensions (H x W x D)	1,772* x 556 x 545mm	* exclude the height of the base compressor: 110mm
Country of Origin	Germany	
Expert Services	<ul style="list-style-type: none"> • Product consultation with unlimited product hotline inquiry • Kitchen planning consultation with pre-installation site measurement • Professional installation 	
Recommended Retail Price	HK\$30,800	



* Please ensure the plinth panel is removable.

Measurements in mm

BSH Home Appliances Limited

BSH Home Appliances Group is a Trademark Licensee of Siemens AG

Customer Contact Hotline: 2565 6151 (Hong Kong) / 0800 030 (Macau local call only)

Website: www.siemens-home.bsh-group.com.hk

• Specification and technical information subject to change.

• Right of technical modification reserved, colours may vary slightly from illustrations.

© 2021 by BSH Home Appliances Limited. Reproduction, complete or in part, only with the express permission of BSH.