

Cooling



KU15LADF0K



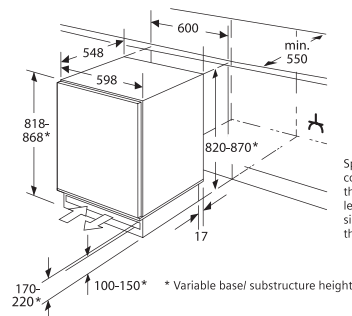
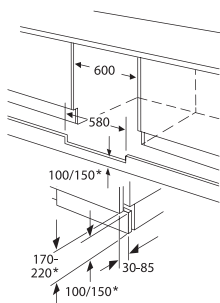
KU15RA65HK



Built-in refrigerator
KU15LADF0K

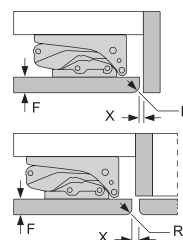
Built-in fridge
KU15RA65HK

Features	<ul style="list-style-type: none"> Interior temperature control Flush folding hinge Door right hinged, reversible Integrated freezer compartment 	<ul style="list-style-type: none"> Interior temperature control Flush folding hinge Soft closing door Door right hinged, reversible
Fridge Section	<ul style="list-style-type: none"> 2 safety glass shelves of which 1 is height adjustable 1 vegetable container Pull-out tray 3 door trays including 1 extra deep 	<ul style="list-style-type: none"> 3 safety glass shelves of which 2 are height adjustable 1 vegetable container Pull-out tray 3 door trays including 1 extra deep
Freezer Section	<ul style="list-style-type: none"> Super freezing function with automatic deactivation Manual defrost 	—
Technical Information	<ul style="list-style-type: none"> Total net capacity: 123L Net fridge capacity: 108L Net freezer capacity: 15L Noise level: 38dB Annual energy consumption: 140kWh Freezing capacity (24 hrs): 2kg Storage time in power failure: 10 hrs Total connected load: 0.09kW (13A) 	<ul style="list-style-type: none"> Net capacity: 141L Noise level: 38dB Annual energy consumption: 92kWh Total connected load: 0.09kW (13A)
Supplied Accessories	<ul style="list-style-type: none"> 1 egg tray 1 ice cube tray 	1 egg tray
Appliance Dimensions (H x W x D)	818-868 x 598 x 548mm	818-868 x 598 x 548mm
Country of Origin	Germany	Germany
Expert Services	<ul style="list-style-type: none"> Product consultation with unlimited product hotline inquiry Kitchen planning consultation with pre-installation site measurement Professional installation 	<ul style="list-style-type: none"> Product consultation with unlimited product hotline inquiry Kitchen planning consultation with pre-installation site measurement Professional installation
Recommended Retail Price	HK\$15,800	HK\$14,800



Space for electrical connection next to the appliance on the left or right-hand side. Ventilation in the base.

Recommended gap dimensions for flat hinges



F	R	X
16-19	0-3	2,5
20	0-1	3
	2-3	2,5
21	0-1	3
	2-3	2,5
22	0	4
	1	3,5
	2-3	3

The gap dimensions recommended in the table must be adhered to in order to ensure that appliance doors do not collide with anything when they are opened, and to avoid causing damage to kitchen units.

This appliance is best installed in a dry and/or air-conditioned room.

Measurements in mm

BSH Home Appliances Limited

BSH Home Appliances Group is a Trademark Licensee of Siemens AG

Customer Contact Hotline: 2565 6151 (Hong Kong) / 0800 030 (Macau local call only)

Website: www.siemens-home.bsh-group.com.hk

• Specification and technical information subject to change.

• Right of technical modification reserved, colours may vary slightly from illustrations.

© 2021 by BSH Home Appliances Limited. Reproduction, complete or in part, only with the express permission of BSH.