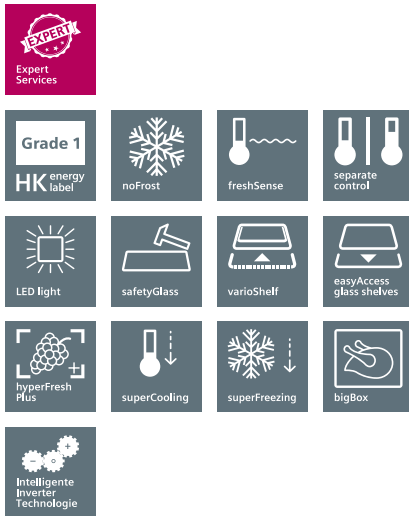


# Cooling – coolConcept

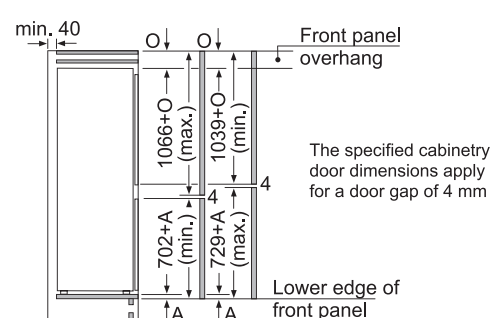
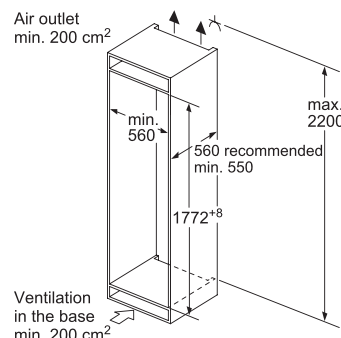
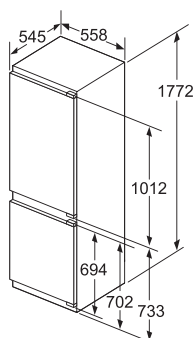


Scan code to find out more



## Built-in 2-door refrigerator, bottom freezer KI86NAF31K

<b>Features</b>	<ul style="list-style-type: none"> <li>No frost</li> <li>2 cooling circuits</li> <li>Digital display and touch control of fridge and freezer sections</li> </ul>	<ul style="list-style-type: none"> <li>Flush folding hinge</li> <li>Door right hinged, reversible</li> <li>Inverter compressor</li> </ul>
<b>Fridge Section</b>	<ul style="list-style-type: none"> <li>hyperFresh plus drawer for fruit &amp; vegetables</li> <li>Super cooling function with automatic deactivation</li> <li>5 safety glass shelves of which 4 are height adjustable, including varioShelf and extendable easyAccess shelf</li> </ul>	<ul style="list-style-type: none"> <li>Large door tray with dairy compartment</li> <li>4 door bins, including 1 extra deep</li> <li>LED interior light on both sides</li> </ul>
<b>Freezer Section</b>	<ul style="list-style-type: none"> <li>Super freezing function with automatic deactivation</li> <li>3 drawers, including 1 bigBox</li> </ul>	<ul style="list-style-type: none"> <li>Vario zone – removable safety glass shelves for extra space</li> <li>Freezing calendar</li> </ul>
<b>Technical Information</b>	<ul style="list-style-type: none"> <li>Total net capacity: 254L</li> <li>Net fridge capacity: 187L</li> <li>Net freezer capacity: 67L</li> <li>Noise level: 39dB</li> </ul>	<ul style="list-style-type: none"> <li>Annual energy consumption: 223kWh</li> <li>Freezing capacity (24hrs): 8kg</li> <li>Storage time in power failure: 13hrs</li> <li>Total connected load: 0.09kW (10A)</li> </ul>
<b>Supplied Accessories</b>	<ul style="list-style-type: none"> <li>3 egg trays</li> <li>1 ice cube tray</li> </ul>	<ul style="list-style-type: none"> <li>2 cool packs</li> </ul>
<b>Appliance Dimensions (H x W x D)</b>	1,772 x 558 x 545mm	
<b>Country of Origin</b>	Germany	
<b>Expert Services</b>	<ul style="list-style-type: none"> <li>Product consultation with unlimited product hotline inquiry</li> <li>Kitchen planning consultation with pre-installation site measurement</li> <li>Professional installation</li> </ul>	
<b>Recommended Retail Price</b>	HK\$24,800	



\* Please ensure the plinth panel is removable.

Measurements in mm

**BSH Home Appliances Limited**

BSH Home Appliances Group is a Trademark Licensee of Siemens AG

**Customer Contact Hotline:** 2565 6151 (Hong Kong) / 0800 030 (Macau local call only)

Website: [www.siemens-home.bsh-group.com.hk](http://www.siemens-home.bsh-group.com.hk)

• Specification and technical information subject to change.

• Right of technical modification reserved, colours may vary slightly from illustrations.

© 2021 by BSH Home Appliances Limited. Reproduction, complete or in part, only with the express permission of BSH.