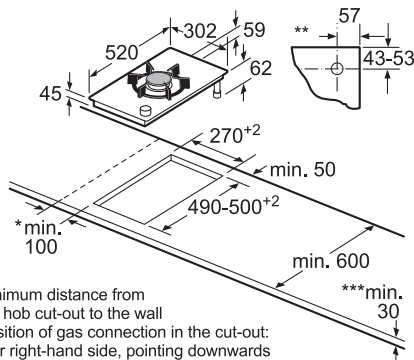




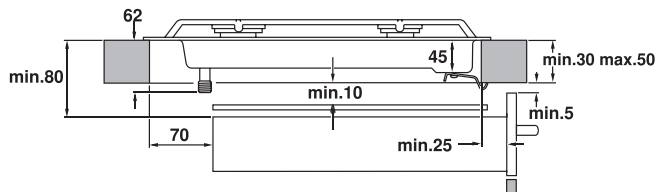
Scan code to find out more

Domino LPG wok burner
ER3A6AD70L

Design	Enable you to design your own cooking centre using various kinds of hobs
Features	<ul style="list-style-type: none"> • Dual circuit wok burner • stepFlame technology: 9 levels of accuracy for cooking • Power level display • 2 stage residual heat indicator • Convenient sword knob • Dishwasher proof pan support • Individual control of inner and outer flame • One hand ignition • Electrical spark ignition • Flame failure safety device
Technical Information	<ul style="list-style-type: none"> • Preset LPG • Burner output 6.0kW (max) • Total connected load 2.0W (13A)
Appliance Dimensions (H x W x D)	62 (exclude glass thickness, include gas connector) x 302 x 520mm
Cut out Dimensions (W x D)	270 x 490-500mm
Min. Thickness of Worktop	30mm
Supplied Accessory	Dishwasher proof cast iron wok ring support
Optional Accessory	Connection strip (HZ394301)
Country of Origin	Spain
Expert Services	<ul style="list-style-type: none"> • Product consultation with unlimited product hotline inquiry • Kitchen planning consultation with pre-installation site measurement • Professional installation
Recommended Retail Price	HK\$13,400



- * Minimum distance from the hob cut-out to the wall
- ** Position of gas connection in the cut-out: rear right-hand side, pointing downwards
- *** With fitted oven underneath, possibly more; see space requirements for the oven



Distance from the top of pan support to worktop is approximately 59mm.

Please reserve buffer due to possible uneven cut-out rim.
Measurements in mm

BSH Home Appliances Limited

BSH Home Appliances Group is a Trademark Licensee of Siemens AG
Customer Contact Hotline: 2565 6151 (Hong Kong) / 0800 030 (Macau local call only)
 Website: www.siemens-home.bsh-group.com.hk

• Specification and technical information subject to change.
 • Right of technical modification reserved, colours may vary slightly from illustrations.
 © 2021 by BSH Home Appliances Limited. Reproduction, complete or in part, only with the express permission of BSH.