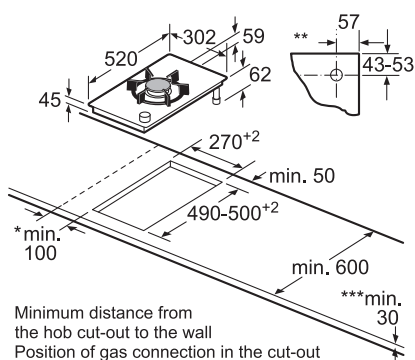




Scan code to find out more

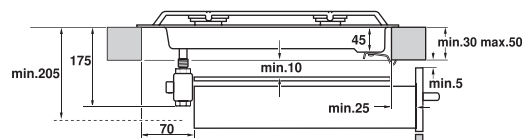
Domino town gas wok burner ER3A6AB70X

Design	Enable you to design your own cooking centre using various kinds of hobs
Features	<ul style="list-style-type: none"> • Dual circuit wok burner • stepFlame technology: 9 levels of accuracy for cooking • Dishwasher proof pan support • Convenient sword knob • Individual control of inner and outer flame • One hand ignition • Electrical spark ignition • Flame failure safety device
Technical Information	<ul style="list-style-type: none"> • Preset Town gas • Burner output 5.0kW (max) • Total connected load 1.1W (13A plug)
Appliance Dimensions (H x W x D)	62 (exclude glass thickness, include gas connector) x 302 x 520mm
Cut out Dimensions (W x D)	270 x 490-500mm
Min. Thickness of Worktop	30mm
Supplied Accessories	<ul style="list-style-type: none"> • Dishwasher proof cast iron wok ring support • External gas governor
Optional Accessory	Connection strip (HZ394301)
Country of Origin	Spain
Expert Services	<ul style="list-style-type: none"> • Product consultation with unlimited product hotline inquiry • Kitchen planning consultation with pre-installation site measurement • Professional installation
Recommended Retail Price	HK\$13,400

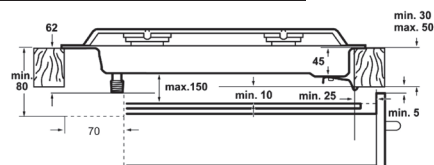


- * Minimum distance from the hob cut-out to the wall
- ** Position of gas connection in the cut-out rear right-hand side, pointing downwards
- *** With fitted oven underneath, possibly more; see space requirements for the oven

For fixed connection of governor



For connection using flexible gas tubing



Distance from the top of pan support to worktop is approximately 59mm.

Please reserve buffer due to possible uneven cut-out rim.

Measurements in mm