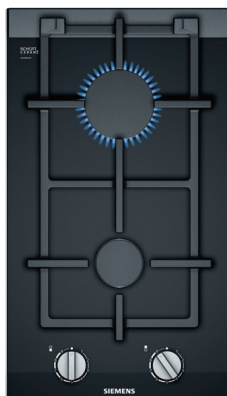


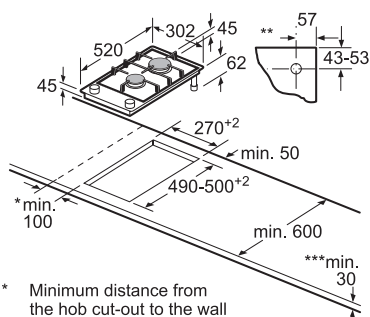
Hob



Scan code to find out more

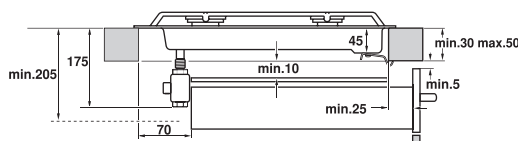
Domino town gas double burner ER3A6BB70X

| Design | Enable you to design your own cooking centre using various kinds of hobs | | | | | | | | |
|---|--|--------|-------------------|-------------------------|-----|---------------------------|-----|-------|-----|
| Features | <ul style="list-style-type: none"> • 2 single circuit burners • stepFlame technology: 9 levels of accuracy for cooking • Dishwasher proof pan support • Convenient sword knobs • One hand ignition • Electrical spark ignition • Flame failure safety device | | | | | | | | |
| Technical Information | <ul style="list-style-type: none"> • Preset Town gas • Burner output <table border="1"> <thead> <tr> <th>Burner</th> <th>Output (kW) (max)</th> </tr> </thead> <tbody> <tr> <td>Front – standard burner</td> <td>1.9</td> </tr> <tr> <td>Rear – rapid speed burner</td> <td>2.8</td> </tr> <tr> <td>Total</td> <td>4.7</td> </tr> </tbody> </table> <ul style="list-style-type: none"> • Total connected load 1.1W (13A plug) | Burner | Output (kW) (max) | Front – standard burner | 1.9 | Rear – rapid speed burner | 2.8 | Total | 4.7 |
| Burner | Output (kW) (max) | | | | | | | | |
| Front – standard burner | 1.9 | | | | | | | | |
| Rear – rapid speed burner | 2.8 | | | | | | | | |
| Total | 4.7 | | | | | | | | |
| Appliance Dimensions (H x W x D) | 62 (exclude glass thickness, include gas connector) x 302 x 520mm | | | | | | | | |
| Cut out Dimensions (W x D) | 270 x 490-500mm | | | | | | | | |
| Min. Thickness of Worktop | 30mm | | | | | | | | |
| Supplied Accessory | External gas governor | | | | | | | | |
| Optional Accessory | Connecting strip (HZ394301) | | | | | | | | |
| Country of Origin | Spain | | | | | | | | |
| Expert Services | <ul style="list-style-type: none"> • Product consultation with unlimited product hotline inquiry • Kitchen planning consultation with pre-installation site measurement • Professional installation | | | | | | | | |
| Recommended Retail Price | HK\$12,800 | | | | | | | | |

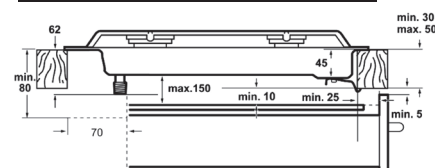


- * Minimum distance from the hob cut-out to the wall
- ** Position of gas connection in the cut-out rear right-hand side, pointing downwards
- *** With fitted oven underneath, possibly more; see space requirements for the oven

For fixed connection of governor



For connection using flexible gas tubing



Distance from the top of pan support to worktop is approximately 45mm.

Please reserve buffer due to possible uneven cut-out rim.
Measurements in mm

BSH Home Appliances Limited

BSH Home Appliances Group is a Trademark Licensee of Siemens AG

Customer Contact Hotline: 2565 6151 (Hong Kong) / 0800 030 (Macau local call only)

Website: www.siemens-home.bsh-group.com.hk

• Specification and technical information subject to change.

• Right of technical modification reserved, colours may vary slightly from illustrations.

© 2021 by BSH Home Appliances Limited. Reproduction, complete or in part, only with the express permission of BSH.