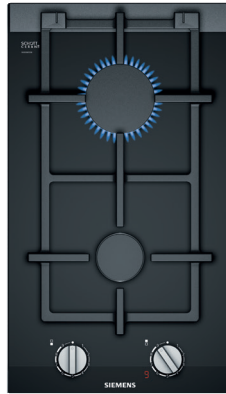


Hob

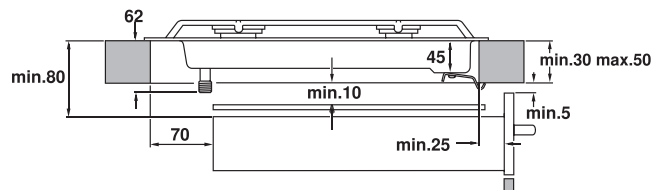
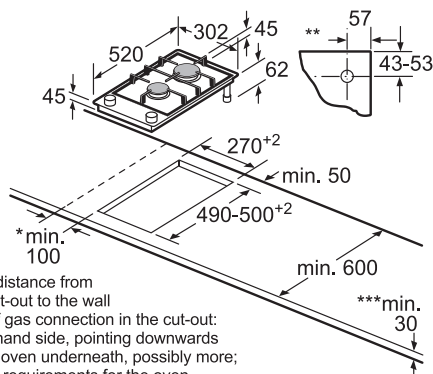


Scan code to find out more



Domimo LPG double burner
ER3A6BD70L

Design	Enable you to design your own cooking centre using various kinds of hobs								
Features	<ul style="list-style-type: none"> • 2 single circuit burners • stepFlame technology: 9 levels of accuracy for cooking • Power level display • 2 stage residual heat indicators • Convenient sword knobs • Dishwasher proof pan support • One hand ignition • Electrical spark ignition • Flame failure safety device 								
Technical Information	<ul style="list-style-type: none"> • Preset LPG • Burner output <table border="1"> <thead> <tr> <th>Burner</th> <th>Output (kW) (max)</th> </tr> </thead> <tbody> <tr> <td>Front – standard burner</td> <td>1.9</td> </tr> <tr> <td>Rear – rapid speed burner</td> <td>2.8</td> </tr> <tr> <td>Total</td> <td>4.7</td> </tr> </tbody> </table> <ul style="list-style-type: none"> • Total connected load 2.0W (13A) 	Burner	Output (kW) (max)	Front – standard burner	1.9	Rear – rapid speed burner	2.8	Total	4.7
Burner	Output (kW) (max)								
Front – standard burner	1.9								
Rear – rapid speed burner	2.8								
Total	4.7								
Appliance Dimensions (H x W x D)	62 (exclude glass thickness, include gas connector) x 302 x 520mm								
Cut out Dimensions (W x D)	270 x 490-500mm								
Min. Thickness of Worktop	30mm								
Optional Accessory	Connecting strip (HZ394301)								
Country of Origin	Spain								
Expert Services	<ul style="list-style-type: none"> • Product consultation with unlimited product hotline inquiry • Kitchen planning consultation with pre-installation site measurement • Professional installation 								
Recommended Retail Price	HK\$12,800								



Distance from the top of pan support to worktop is approximately 45mm.

Please reserve buffer due to possible uneven cut-out rim.
Measurements in mm

BSH Home Appliances Limited

BSH Home Appliances Group is a Trademark Licensee of Siemens AG

Customer Contact Hotline: 2565 6151 (Hong Kong) / 0800 030 (Macau local call only)

Website: www.siemens-home.bsh-group.com.hk

• Specification and technical information subject to change.

• Right of technical modification reserved, colours may vary slightly from illustrations.

© 2021 by BSH Home Appliances Limited. Reproduction, complete or in part, only with the express permission of BSH.