

# Dishwasher

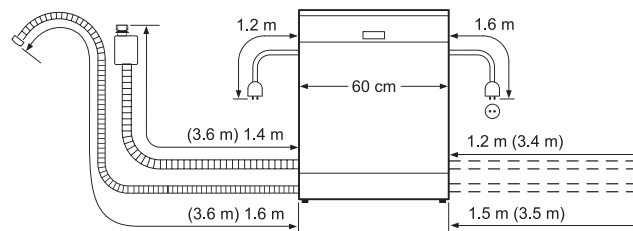
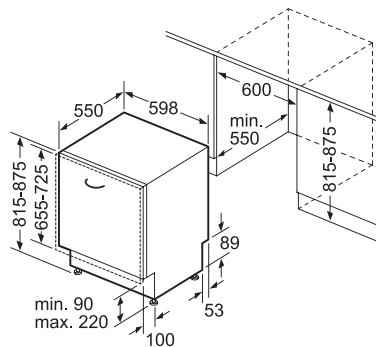


Scan code to find out more

## 60cm fully integrated dishwasher SN61IX09TE

Capacity	12 place settings	
5 Programmes	<ul style="list-style-type: none"> <li>• Auto Wash 45°C - 65°C</li> <li>• Intensive Wash 70°C</li> <li>• 1hr Wash 65°C</li> </ul>	<ul style="list-style-type: none"> <li>• Eco Wash 50°C</li> <li>• Favourite / Pre Rinse</li> </ul>
Functions	<ul style="list-style-type: none"> <li>• varioSpeed</li> <li>• Machine Care</li> </ul>	<ul style="list-style-type: none"> <li>• Half load</li> </ul>
Technology	<ul style="list-style-type: none"> <li>• aquaSensor</li> <li>• aquaStop anti-flood system</li> </ul>	<ul style="list-style-type: none"> <li>• dosageAssist</li> <li>• iQdrive technology</li> </ul>
Flexibility	<ul style="list-style-type: none"> <li>• vario basket system</li> <li>• Moveable cutlery basket</li> </ul>	<ul style="list-style-type: none"> <li>• 3, 6, 9 hours delay start timer</li> </ul>
Design	<ul style="list-style-type: none"> <li>• infoLight (blue)</li> <li>• Full flexibility of door panel at your choice (not included accessory)</li> </ul>	
Technical Information	<ul style="list-style-type: none"> <li>• Consumption rates (Eco Wash 50°C programme)                             <ul style="list-style-type: none"> <li>- Water 10.5L</li> <li>- Electricity 1.02kWh</li> </ul> </li> <li>• Noise level 48dB</li> <li>• Total connected load 2.4kW (13A)</li> </ul>	
Appliance Dimensions (H x W x D)	815-875 x 598 x 550mm	
Country of Origin	Poland	
Expert Services	<ul style="list-style-type: none"> <li>• Product consultation with unlimited product hotline inquiry</li> <li>• Kitchen planning consultation with pre-installation site measurement</li> <li>• Professional installation</li> </ul>	
Recommended Retail Price	HK\$15,800	

Home Connect function is currently unavailable in Hong Kong and Macau region.  
 † 99.999% reduction on Escherichia coli, Staphylococcus aureus in Eco 50°C program, HKTEC2102323201 (date 06/21) issued by SGS Hong Kong Limited.



( ) values with extension kit

\* Please ensure the plinth panel is removable.  
 Measurements in mm

**BSH Home Appliances Limited**

BSH Home Appliances Group is a Trademark Licensee of Siemens AG  
**Customer Contact Hotline:** 2565 6151 (Hong Kong) / 0800 030 (Macau local call only)  
 Website: www.siemens-home.bsh-group.com.hk

• Specification and technical information subject to change.  
 • Right of technical modification reserved, colours may vary slightly from illustrations.  
 © 2021 by BSH Home Appliances Limited. Reproduction, complete or in part, only with the express permission of BSH.