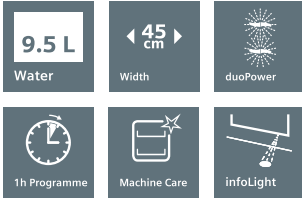


Dishwasher



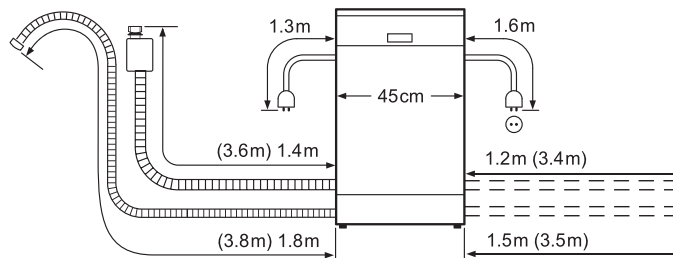
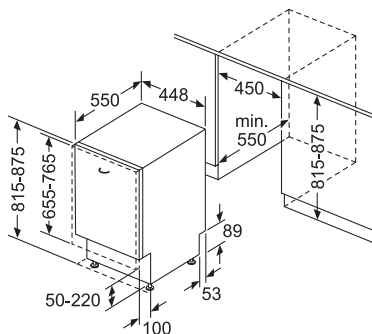
Scan code to find out more

45cm fully integrated dishwasher SR93EX20MG

Capacity	10 place settings	
6 Programmes	<ul style="list-style-type: none"> Intensive Wash 70°C Auto Wash 45°C - 65°C 1 hour Wash 65°C 	<ul style="list-style-type: none"> Eco Wash 50°C Quick Wash 45°C Favorite/Pre Rinse
Functions	<ul style="list-style-type: none"> varioSpeed Plus hygienePlus 	<ul style="list-style-type: none"> intensiveZone Machine Care programme
Technology	<ul style="list-style-type: none"> aquaSensor Heat exchanger aquaStop anti-flood system 	<ul style="list-style-type: none"> dosageAssist iQdrive technology
Flexibility	<ul style="list-style-type: none"> 3 stage rackMatic height adjustable top basket varioDrawer 	<ul style="list-style-type: none"> varioFlex Plus basket system 1-24 hours delay start timer
Design	<ul style="list-style-type: none"> duoPower double spray arms Baking sheet spray head (optional) infoLight (blue) 	<ul style="list-style-type: none"> Push button controls Full flexibility of door panel at your choice (not included accessory)
Safety	Double push door	
Technical Information	<ul style="list-style-type: none"> Consumption rates (Eco Wash 50°C programme) <ul style="list-style-type: none"> - Water 9.5L - Electricity 0.74kWh Noise level 45dB Total connected load 2.4kW (13A) 	
Appliance Dimensions (H x W x D)	815-875 x 448 x 550mm	
Country of Origin	Poland	
Expert Services	<ul style="list-style-type: none"> Product consultation with unlimited product hotline inquiry Kitchen planning consultation with pre-installation site measurement Professional installation 	
Recommended Retail Price	HK\$21,800	

Home Connect function is currently unavailable in Hong Kong and Macau region.

† 99.999% reduction on Escherichia coli, Staphylococcus aureus in Eco 50°C program, HKTEC2004455101 (date 11/20) issued by SGS Hong Kong Limited.



Connection dimensions for all 45cm dishwashers
() values with extension set SZ72010

* Please ensure the plinth panel is removable.
Measurements in mm

BSH Home Appliances Limited

BSH Home Appliances Group is a Trademark Licensee of Siemens AG

Customer Contact Hotline: 2565 6151 (Hong Kong) / 0800 030 (Macau local call only)

Website: www.siemens-home.bsh-group.com.hk

• Specification and technical information subject to change.

• Right of technical modification reserved, colours may vary slightly from illustrations.

© 2021 by BSH Home Appliances Limited. Reproduction, complete or in part, only with the express permission of BSH.