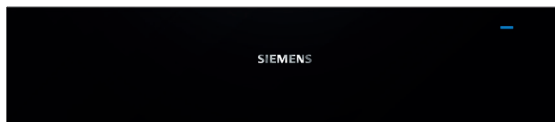


Warming drawer



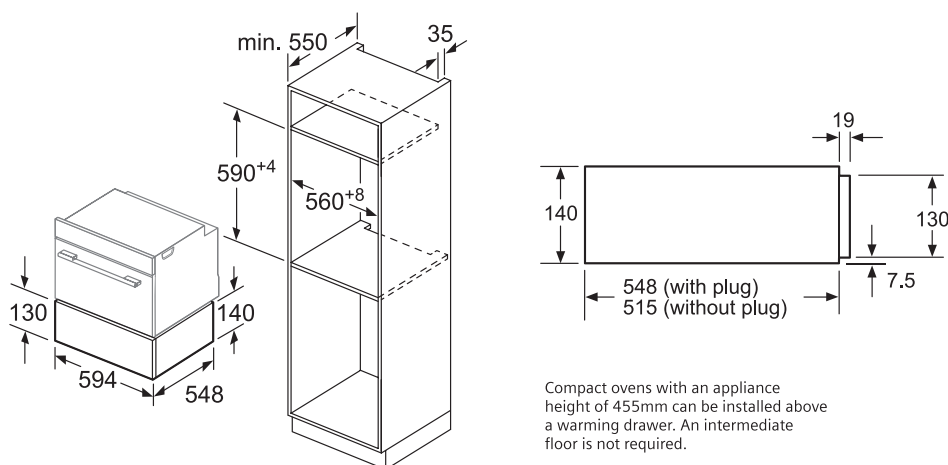
Scan code to find out more



Built-in warming drawer

BI630CNS1B

Design	<ul style="list-style-type: none"> • Heating plate made of toughened glass • Fully extendable pull out telescopic rail • Handle-free "Press-and-Pull" open door
Features	<ul style="list-style-type: none"> • Can be used for: <ul style="list-style-type: none"> - Proving yeast dough - Thawing food - Keeping food warm - Pre-warming utensils - Slow cooking • Operating indicator light
Technical Information	<ul style="list-style-type: none"> • Capacity: 20L • Loading: 25kg max. • Maximum loading: 12 plates or 64 espresso cups • Heating temperature: approx. 40°C to 80°C (glass surface temperature) • Total connected load: 0.81kW (13A)
Appliance Dimensions (H x W x D)	140 x 594 x 548mm
Cavity Dimensions (H x W x D)	92 x 468 x 458mm
Country of Origin	Slovakia
Expert Services	<ul style="list-style-type: none"> • Product consultation with unlimited product hotline inquiry • Kitchen planning consultation with pre-installation site measurement • Professional installation
Recommended Retail Price	HK\$12,800



Measurements in mm

BSH Home Appliances Limited

BSH Home Appliances Group is a Trademark Licensee of Siemens AG

Customer Contact Hotline: 2565 6151 (Hong Kong) / 0800 030 (Macau local call only)

Website: www.siemens-home.bsh-group.com.hk

• Specification and technical information subject to change.
 • Right of technical modification reserved, colours may vary slightly from illustrations.
 © 2021 by BSH Home Appliances Limited. Reproduction, complete or in part, only with the express permission of BSH.