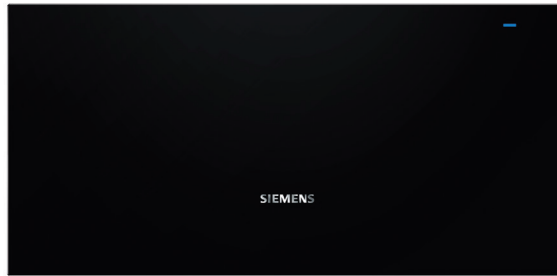


Warming drawer

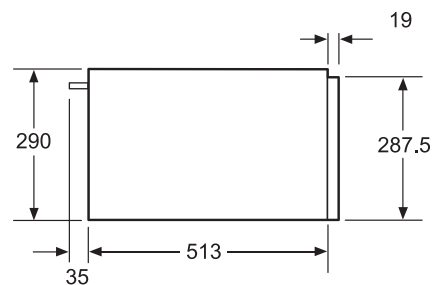
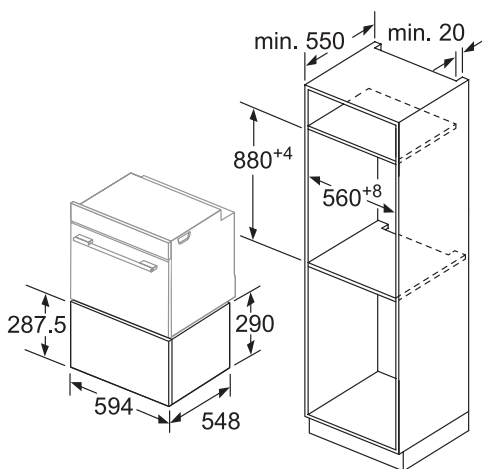


Scan code to find out more



Built-in warming drawer BI630DNS1B

Design	<ul style="list-style-type: none"> • Heating plate made of toughened glass • Fully extendable pull out telescopic rail • Handle-free "Press-and-Pull" open door
Features	<ul style="list-style-type: none"> • Can be used for: <ul style="list-style-type: none"> - Proving yeast dough - Thawing food - Keeping food warm - Pre-warming utensils - Slow cooking • Operating indicator light
Technical Information	<ul style="list-style-type: none"> • Capacity: 52L • Loading: 25kg max. • Maximum loading: 40 plates or 192 espresso cups • Heating temperature: approx. 40°C to 80°C (glass surface temperature) • Total connected load: 0.81kW (13A)
Appliance Dimensions (H x W x D)	290 x 594 x 548mm
Cavity Dimensions (H x W x D)	242 x 468 x 458mm
Country of Origin	Slovakia
Expert Services	<ul style="list-style-type: none"> • Product consultation with unlimited product hotline inquiry • Kitchen planning consultation with pre-installation site measurement • Professional installation
Recommended Retail Price	HK\$14,800



Ovens with an appliance height of 595 mm can be installed above a warming drawer. An intermediate floor is not required.

Measurements in mm