

T36IT903NP

36-INCH BUILT-IN FRENCH DOOR BOTTOM FREEZER

FREEDOM® COLLECTION, PANEL-READY (WHITE INTERIOR)



FEATURES & BENEFITS

- Freedom® Hinge enables true flush design
- ThermaFresh System, Humidity and Temperature controlled drawers
- SoftClose® Drawers and Produce Bins for easy and controlled storage
- Sleek clean design for the perfect symmetry when paired with additional columns
- TFT control panel managing all your columns functions

TEMPERATURE RANGES

Refrigerator	36°F (2°C) to 46°F (8°C)
SuperCool	36°F (2°C) for approximately 6 hours
Energy Saving (Economy) Mode	Refrigerator: 45°F (7°C) Freezer: 3°F (-16°C)
Freezer	-11°F (-24°C) to 7°F (-14°C)
SuperFreeze®	-22°F (-30°C) for approximately 52 hours

GENERAL PROPERTIES

Home Connect® (Wi-Fi Enabled)	Yes
Panel Ready	Yes
Reversible Door Swing	No
SoftClose® Door	No
SoftClose® Drawers	Yes
Carbon Air Filter	Yes
Lighting	LED Sidewall and Theater Lighting
Refrigerator Shelves	3
Adjustable Shelves – Refrigerator	2
Shelf Material	Glass w/Aluminum Profile
Full Extension Drawers @ 115° Door Opening Angle	Yes
Full Extension Drawers @ 90° Door Opening Angle	Yes
Adjustable Temperature Drawer	1
Humidity Managed Drawer	1
Door Bins – Refrigerator	4
Gallon Door Bins – Refrigerator	2
Defrost Process – Freezer	Frost-Free
Freezer Baskets	2
Ice Maker with Diamond Ice System	Yes
Door Open Alarms	Yes
Open Door Assist	No
SuperCool	Yes
SuperFreeze®	Yes
Special Modes	Sabbath, Economy, Vacation

CAPACITY

Total Capacity	19.4 cu. ft.
Refrigerator Capacity	13.9 cu. ft.
Freezer Capacity	5.5 cu. ft.

TECHNICAL DETAILS

Watts	350 W
Current	15 A
Volts	110-120 V
Frequency	60 Hz
Power Cord Length	118"
Plug Type	120V-3 Prong

DIMENSIONS & WEIGHT

Appliance Dimensions (H x W x D)	83 3/4"* x 35 3/4" x 24"
Required Cutout Size (H x W x D)	84" x 36" x 25"
Net / Gross Weight	468 / 510 lbs

EFFICIENCY

ENERGY STAR® Qualified	Yes
Annual Energy Consumption	579 kWh

*Height adjustable + / -1/2" (+ / -13 mm)

T36IT903NP

36-INCH BUILT-IN FRENCH DOOR BOTTOM FREEZER

FREEDOM® COLLECTION, PANEL-READY (WHITE INTERIOR)

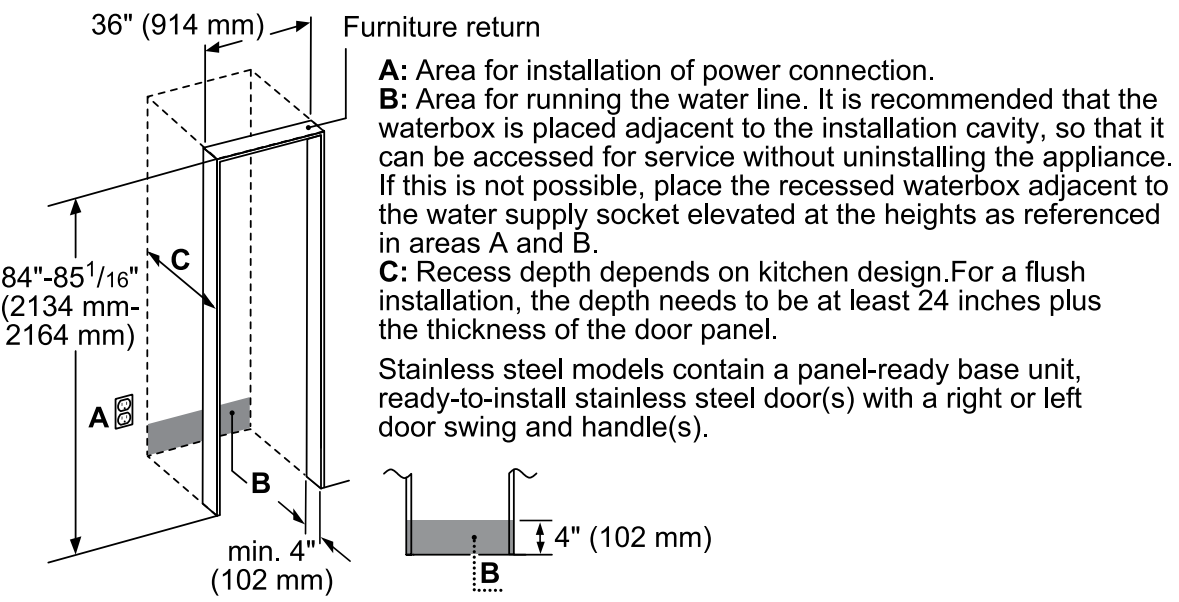


WARRANTY

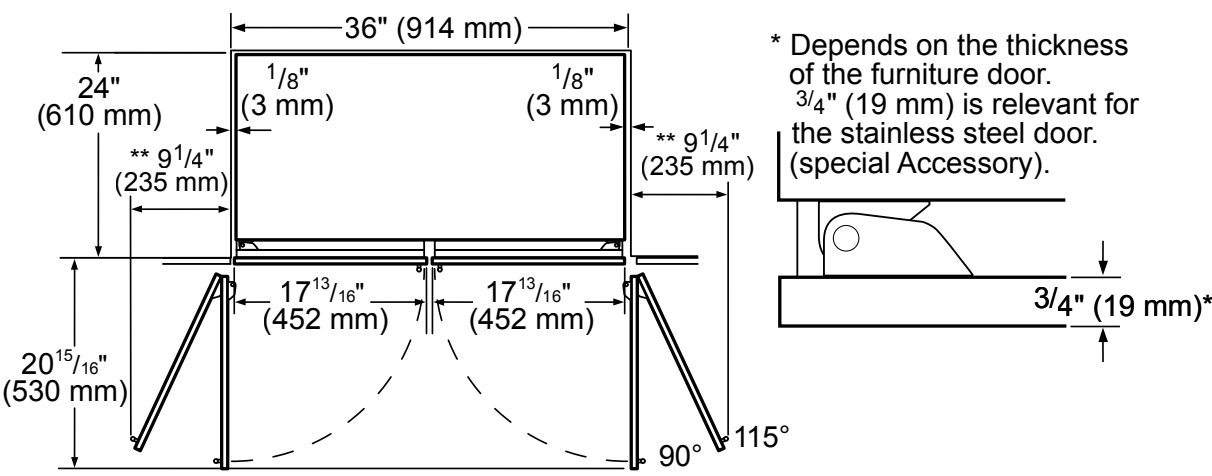
Limited, Entire Appliance, Parts and Labor on Any Part of the Refrigerator that Fails Because of a Manufacturing Defect	2 Year
Limited Warranty for Sealed Refrigeration System*; Parts and Labor	3rd to 6th Year
Limited Warranty for Sealed Refrigeration System*; Parts Only	7th to 12th Year
Limited Warranty for Stainless Steel Rust-Through	Lifetime

*Sealed refrigeration system includes compressor, evaporator, condenser, dryer / strainer and connection tubing

CUTOUT DIMENSIONS



TOP VIEW CLEARANCE



** door handle must be added to this dimension.

