

iQ500 oven series



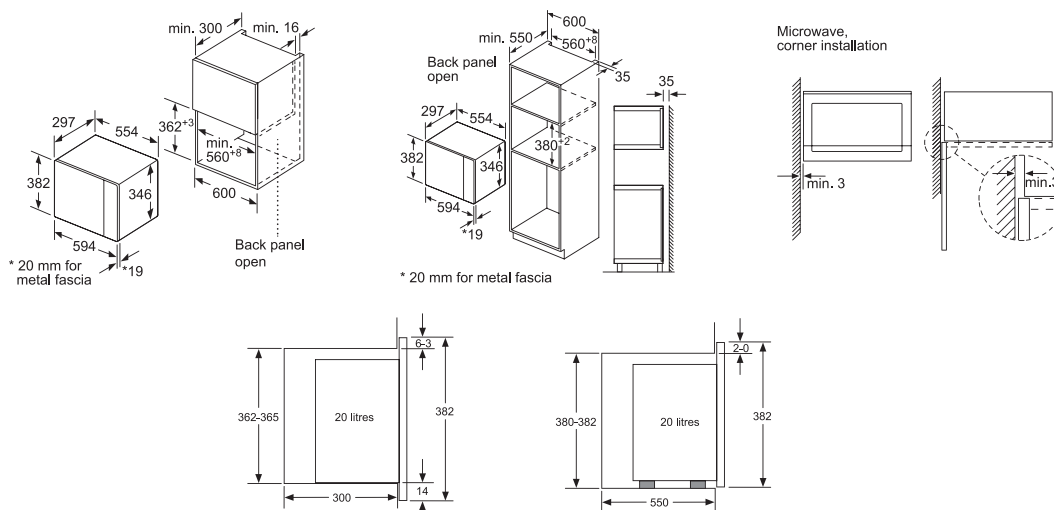
Scan code to find out more



Built-in microwave oven with grill

BE525LMS0H

Design	<ul style="list-style-type: none"> Seamless design – easy to clean LED interior light Left-hinged Can be installed in wall unit
Features	<ul style="list-style-type: none"> Electronic touch slide control panel Easy to use electronic button LED display
Programmes / Additional Features	<ul style="list-style-type: none"> 2 cooking method <ul style="list-style-type: none"> Microwave Grill 3 automatic cooking programmes 4 automatic defrost programmes 1 automatic combination programme Memory function 99 minutes maximum time setting
Technical Information	<ul style="list-style-type: none"> Capacity: 20L Microwave output: 800W max. (in 5 levels) Grill output: 1kW Turntable diameter: 255mm Total connected load: 1.27kW (13A)
Appliance Dimensions (H x W x D)	382 x 594 x 317mm
Cavity Dimensions (H x W x D)	210 x 308 x 282mm
Country of Origin	China
Expert Services	<ul style="list-style-type: none"> Product consultation with unlimited product hotline inquiry Kitchen planning consultation with pre-installation site measurement Professional installation
Recommended Retail Price	HK\$5,490



Measurements in mm

BSH Home Appliances Limited

BSH Home Appliances Group is a Trademark Licensee of Siemens AG

Customer Contact Hotline: 2565 6151 (Hong Kong) / 0800 030 (Macau local call only)

Website: www.siemens-home.bsh-group.com.hk

• Specification and technical information subject to change.
 • Right of technical modification reserved, colours may vary slightly from illustrations.
 © 2020 by BSH Home Appliances Limited. Reproduction, complete or in part, only with the express permission of BSH.