

SIEMENS



創新家電科技

雪櫃

Home appliance innovations

Cooling

German
Technology



2
years

Warranty



Discover exciting possibilities.
siemens-home.bsh-group.com.hk

The future moving in.

Siemens Home Appliances

iSensoric將感應技術應用於
智能家居 豈止於非凡生活
iSensoric: the sensor-technology
for an intelligent home.
For a life less ordinary.



西門子為德國享譽盛名的家電領導品牌，品牌的卓越科研成就源自其創意、完美和精確度，都是具有超過170年歷史的西門子品牌價值。

與此同時，西門子重視家電環保節能，不斷應用現代化的智能科技，滿足消費者對生活追求的期望。

Siemens is the renowned German brand. The brand stands for outstanding engineering executed with creativity, precision and perfection – values that have characterized the Siemens brand for more than 170 years. Meanwhile, Siemens also pays attention on resources efficiency for the industry. The continual application of the modernized intelligence technologies, is to satisfy consumer pursue in a perfect lifestyle.

都市生活

西門子家電的外觀和整體感覺是受到世界大都會所啟發——一直站在創新技術的尖端，完美無縫地融入大都市的生活方式。通過消費者所嚮往的個人或專業上的成就所見，我們於都市風格的現代化演繹，投射出信心並反映出尊貴的社會地位。

Metropolitan Living

The look and feel of Siemens Home Appliances is inspired by the large metropolises of the world, always at the forefront of innovation and blending seamlessly into the metropolitan way of life. The modern interpretation of urbanity projects confidence and reflects high social standing through the personal as well as professional achievements to which consumers aspire.

精湛德國科技

品牌對於每項行動都以豐富的經驗、堅定的思維方式和持續追求效率為核心，亦是持續提供質量和可靠性的保證。

我們一向致力發揮被全球所公認的德國工藝，為消費者提供最高水平及優質的家電產品。

German engineering excellence

Considerable experience, a determined mindset and effectiveness at the core of each action enable Siemens Home Appliances to provide assurance on quality and reliability.

Dedication to the globally recognized virtues of German engineering enable us to provide consumers with the highest level of excellence.



建築美學

西門子家電提供超卓精準的技術和風格品味的保證，以滿足高生活標準的消費者——一直追求進步、不願意在產品性能上或設計上原地踏步。

為滿足消費者對可持續發展生活空間於視覺上的吸引力和經歷得起時間洗禮的渴望，我們的設計語言包含了幾何形狀和直線美學，風格富有現代感又能歷久不衰。

Architectural Design

Siemens Home Appliances deliver technical precision and stylistic assurance that respond to consumers with high living standards, who are unwilling to compromise on performance or design.

The geometric design language with its straightlined aesthetics portrays a modern, yet lasting style that fulfils the consumers' desire for sustainable living spaces that are visually appealing and future-proof.



無與倫比、專業至誠的西門子家電服務

No one knows your appliances better

專業維修與原廠零件

西門子家電推出市場的產品均達最高品質水平，但是如果您確實需要技術員維修家電，則無論在保修期內、還是之外，我們都會為您提供幫助。作為生產廠，我們的技術員團隊均接受培訓，並具有廠方的專業知識；而且我們亦使用原廠零件為您解決家電的故障問題，以確保家電品質。

Expert Repair & Original Parts

Siemens appliances are built to the highest standards but if you do require a technician to repair your appliance, we are here to help, whether your appliance is inside or outside the manufacturer's warranty. Our technicians are well-trained with know-how from manufacturer. We only use original spare parts to ensure the quality of your appliances as a manufacturer.



為您的家電錦上添花

無論您需要焗盤、洗碗碟機籃架還是濾水器，您都可以在西門子網上商店找到所需產品。西門子網上商店提供各類原廠配件均專為您的家電而設計，並得到西門子認可，確保最優質的使用效果，以充分發揮家電的潛力。而經原廠測試及檢定的清潔及護理產品系列，則確保最優質的清潔效果及可維持您的家電處於最佳狀態。

Add the best to your appliance

You can order accessories and cleaning products quickly and easily via our Siemens online shop. The Siemens shop has an extensive selection of accessories to help you get the most out of your Siemens appliance. With our range of tested and approved cleaning and care products you can keep your appliance looking great and working at its optimum performance.



隨時為您效勞

不論是家電功能和使用的貼士與說明，或是功能和故障排除的問題，我們友善及專業的西門子客戶服務團隊隨時為您解決有關西門子家電上的所有問題。我們同時提供網頁上支援中心及Youtube頻道上的貼士短片，方便您隨時查看。

At your service

From tips and explanations concerning usage and appliance features to problems concerning faults, functions and troubleshooting, our friendly, expert Siemens customer service team is at your service for all your questions about your appliances. Do check out our online assistance at website and self-help videos at our Youtube channel.



屢獲殊榮，信心保證

西門子家電領導業界，建基於我們對品質與工藝的堅持。所有西門子家電在推出市場前都必須符合嚴格的品質檢控，再經專業品質監控人員於工廠進行嚴謹的審核及測試，包括評估家電壽命及最高耐力的24小時壓力測試、門鉸耐力測試及負載力測試等，確保產品達到甚至超越國際標準，以及客戶的期望。只有符合所有測試水平的家電方可推出市場，客戶自然用得安心又放心。

Award-winning quality you can feel

Siemens Home Appliances leads the industry with our commitment to quality and craftsmanship. Our products are designed and made meeting the most stringent set of requirements. From 24-hour operation stress tests to evaluate our appliances' lifespan and maximum tolerance, to extensive door hinge durability and shelf load tests, we go the extra mile to ensure our products meet and exceed all related international standards – as well as your expectations – at the moment they leave the assembly lines.



安心之選，無憂享受

西門子家電至臻完美，為令每位客戶可以無後顧之憂地享用各款產品，為全線產品提供選購後至少2年的全機保養。另外，所有西門子雪櫃的壓縮機均有5年保養，而個別型號洗衣機及抽油煙機如備有iQdrive無刷式變頻摩打及洗碗碟機內桶防鏽穿的保養期為10年。同時，客戶可按需要延長貨品保養期，務求讓每位客戶用得愜意安心。

Complete peace of mind

We pride ourselves in providing the best of the best. We back up our confidence by offering our customers 2-year full warranty for our entire product portfolio. In addition, we offer 5-year warranty for the compressor installed in our refrigerators; and a 10-year warranty for iQdrive motor of the washing machines & cooker hoods and the protection against rust-through in the inner tub of all dishwashers. Customers may even opt to extend their warranties to enjoy our services for a longer period if they desire. These extensive offers afford the luxury for all our customers to enjoy a complete peace of mind when using our appliances.



高效率的送貨安裝服務

購置新家電令人雀躍萬分，總希望能縮短等候時間，盡快安裝。為了讓每位客戶能盡快享用產品，西門子家電的送貨及安裝團隊最快可於接到訂單的第二天將貨品送抵府上(周日及公眾假期除外)*，安置妥當。

Have it at your doors, pronto

To make sure you get to use your new purchases as soon as possible, Siemens Home Appliances has its own logistics and installation staff to deliver and install your new products on the next day after confirmation of your order^ (except Sundays and public holidays).



體貼的售前專業諮詢服務

為了讓每位客戶能安心享用我們的產品，客戶甚至可在選購之前，安排專業技術人員親臨府上，就有選購的嵌入式、獨立式家電進行實地檢查，並提供專業安裝諮詢服務。我們樂意在客戶購置產品後，為客戶測試水壓及進行其他相關測試，如有需要更會提供減壓器#或接地電壓插座#。以客為尊，全心全意為您做到最好。

Get a consultation visit by professionals... before you even get your appliances

To make sure you get to enjoy our product to the fullest extent, we can send our professionals to you for a consultation visit and advise you on the installation of built-in home appliances or freestanding home appliances even before you have bought it! We are also happy to help you test your home's various specifications such as water pressure, provide you with tools or accessories such as pressure regulator# after you have finalised your purchase and offer advice on changing your RCD adaptor#. You may ask: Why? Simply because we think you'd like the extra effort we put in.



*視乎時間表安排而定 Subject to time schedule availability
#受推廣條款及細則約束 Subject to the promotional terms and conditions



iSensoric 能讓新鮮食物保鮮更長 Fresher food for longer with iSensoric



西門子 iSensoric 是全感應控制的智能技術，以自動檢測，計算和控制整個保鮮過程。豈止於非凡生活。iSensoric from Siemens is the sensor-controlled intelligence that stands for automatically detecting, calculating and controlling the whole process. For a life less ordinary.

品質監控 信心保證

為確保每部西門子雪櫃的性能及功效都得到最佳的保證，雪櫃出廠前會就安全、噪音以及功能進行嚴格的抽樣測試，如以最低溫度運作24小時、托架負重20公斤、門鉸開合測試200,000次等。為了顧客得到更好的保障，西門子除提供全線產品2年全機保養外，所有西門子雪櫃的壓縮機均設有5年保養，如此完善的服務確實為優質產品的信心保證，讓您用得安心。

Quality assurance

To ensure optimum performance and efficiency, Siemens refrigerators undergo rigorous factory testings. For instance, a 24-hour operation test with machine's maximum tolerance, a 20kg load weight test on shelves and a door-hinge test for 200,000 times. Beyond a 2-year full coverage warranty on all products, a 5-year warranty is provided for the compressor in all Siemens refrigerators. These extensive warranties assure top quality of our product and provide you with complete peace of mind.



綠色科技 響應環保

採用R600a環保雪種的西門子雪櫃，令全球暖化潛值為「極低」。西門子同時亦購入雪種回收器放置回收雪種以減少溫室氣體的排放量。回收的雪櫃均由政府認可的回收機構棄置，從而對環境的影響減到最低。致力與您一起為綠色地球出一分力。

Green technologies – contribute to environmental protection

Siemens uses refrigerant R600a, which has a very low Global Warming Potential (GWP). To eliminate greenhouse gas emission, Siemens invested in a refrigerant recycling machine to collect the refrigerant from old refrigerators. Moreover, a Government authorised recycling organisation is appointed to take care of the remaining parts. By minimising the impact of disposal, Siemens emphasizes the importance of a healthier and greener environment for our future to you and our world.

freshSense

freshSense感應器能自動調節不同時刻的溫度變化，例如當新鮮食物被貯存起來時，freshSense能對一瞬間的溫度變化作出相應調整。這樣雪櫃內的溫度就能保持在最佳範圍內，讓您的食物保持更長的新鮮和美味。

freshSense

The freshSense sensors activate the moment a change in temperature is set, for example when products are stored away, and compensates for this change in an instant. Therefore the temperature always remains within the optimum range and your food stays fresh and delicious for longer.



無霜技術

西門子 iSensoric 雪櫃都配備了智能感應控制技術，以免卻解凍溶雪的麻煩。感應器會檢測雪櫃內的濕度和霜凍產生程度，進行定期和自動溶雪而不需要關閉雪櫃。因此，雪櫃不會形成冰雪，以長效保持高能源效益。

noFrost Technology

Siemens fridges with iSensoric are equipped with intelligent sensor-controlled technology to save the hassle of defrosting the freezer. The sensors measure the degree of humidity and any frost production, the appliance is periodically and automatically defrosted without the need to turn off the appliance. Also, ice no longer forms inside of the refrigerator, the appliance's energy consumption remains consistently low.



輕觸式控制

輕觸式控制顯示屏靈敏度高，只需輕輕觸控按鍵，雪櫃的所有功能如溫度，Super冷藏/冷凍功能和節能模式便可立即設定。加上輕觸式控制顯示屏是 iSensoric 通信樞紐，將設定和各感應器數據控制其它功能。

touchControl

The touchControl display is with the highly sensitive sensors, even the slightest touch of the control, all the functions of the refrigerator such as temperature, super function and eco mode can be immediately set. Furthermore, the touchControl display is the communications hub for iSensoric, as this is where the data is collected from the various sensors for controlling other functions.



西門子保鮮系統hyperFresh：長效保鮮技術 Siemens freshness system technology – hyperFresh



hyperFresh premium 0°C*

hyperFresh premium 0°C保鮮格令水果和蔬菜得到最佳濕度。利用0°C保鮮格，魚類和肉類因此可以貯存在完美的溫度。從而保存豐富維他命，保持口感爽脆，香氣馥郁且更有營養。

hyperFresh premium 0°C*

The hyperFresh premium 0°C drawers regulate how much humidity the fruits and vegetables receive. With the 0°C drawer, fish and meat can also be stored in the perfect temperature. Thus preserving precious vitamins, keeping it longer crisp, flavoursome and more nutritious.



hyperFresh (plus) 0°C

hyperFresh (plus) 0°C保鮮格確保魚類和肉類在最理想接近0°C下保持新鮮。為創造理想的保鮮環境，這個區域的溫度比周圍冷藏室的溫度略低約2-4°C。而且分開保鮮格貯放避免難聞氣味轉移。

hyperFresh (plus) 0°C

The hyperFresh (plus) 0°C drawers ensure that fish and meat stay fresh in ideal conditions near 0°C. To create these excellent freshness conditions, the temperature in this zone is around 2-4°C cooler than the rest of the refrigerator. The separate compartments also avoid unpleasant odour transfer.



hyperFresh plus

hyperFresh plus保鮮格保持蔬菜，沙津和水果新鮮全賴濕度控制系統，保鮮格不斷保持食物乾爽，並有助保留礦物質和營養。

hyperFresh plus

The hyperFresh plus drawers keep vegetables, salad and fruits fresh much longer by controlling the internal humidity; the compartment keeps food from drying out and keeps minerals and nutrients.



hyperFresh

波浪紋底部設計允許冷空氣流經水果和蔬菜。看得見的質量和新鮮感覺一目了然。

hyperFresh

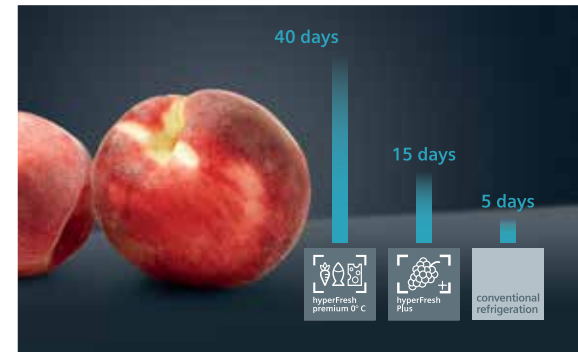
The rippled bottom allows cool air to circulate around your fruits and vegetables easily. As a result, you can see the quality and feel the freshness.



完美環境貯存新鮮食物 The perfect environment for fresh food

您需要新鮮食材煮出好菜式。西門子保鮮系統保存食物新鮮更方便靈活，所以菜式無論任何時刻總是美味可口。
You need fresh ingredients for good meals. Siemens' freshness system make keeping food fresh easy and flexible, so meals are always delicious regardless of when you find the time to shop.

生果和蔬菜 Fruit & Vegetables



魚類和肉類 Fish & Meat



* hyperFresh 0°C保鮮科技是指在0°C保鮮空間內，讓食物的溫度處於接近0°C，並維持該貯存空間內一定的濕度，從而延長食物保鮮時間的技術。保鮮室內的環境和保鮮效果會因食物種類、新鮮度及分量而有所不同。
hyperFresh 0°C freshness preservation technology means that when stored in the 0°C compartment, food temperature is near 0°C and maintains a certain humidity in the storage space. Foods can thus be stored in an ultimate fresh environment. Storage conditions and results may vary depending on the type, freshness and weight of the food.

內部測試與現有保鮮系統和過往型號之比較。
In-house test compared with current freshness system and previous models.

iSensoric智感零度 無霜多門雪櫃

iSensoric no frost French door refrigerator

顯赫非凡設計和功能

Distinguished luxury in design and function



3D層層出風流通系統

送風採用iSensoric智能技術優化冷藏室、hyperFresh premium 0°C保鮮室和冷凍室內的空氣循環，確保整個雪櫃每層都溫度均勻。無論您放置食材於任何位置，精確的冷量分配都可以快速地冷卻食材。產品後壁設有多個隱藏式出風口，配合製冷系統將冷空氣均勻地送到每個區域。

3D multiAirflow system

Airflow works with iSensoric technology to optimise the air circulation within the fridge, hyperFresh premium 0°C drawer and freezer compartments to ensure even cooling throughout the appliance. This means wherever you place your groceries it will cool them quickly no matter where they are placed. The back wall of the appliance has hidden open vents which work with the cooling circuit to draw cold air into each compartment.



IZA抗菌過濾器

能分解氣味並確保雪櫃內的食材衛生。IZA抗菌過濾器具有抗菌和防霉功能，能有效去除雪櫃內高達99.99%*的細菌。所以雪櫃不但能保持空氣清新，更能令雪櫃衛生乾淨整潔。

IZA airFresh filter

The IZA airFresh filter separates smells and ensures the food hygiene in the refrigerator. With its antibacterial and anti-mould functions, the refrigerator can remove bacteria up to 99.99%*. So your refrigerator not only smells fresh at all times, but always looks hygienically clean and tidy.



矚目LED照明體驗

明亮且不可見的LED燈照系統明亮地照亮整個雪櫃。LED燈同時為hyperFresh premium 0°C保鮮室提供理想的照明。照明系統是防眩目及漸亮式設計，亮度可以精確調節到您想強度。

Premium LED lighting concept

Brilliant and invisible LEDs brightly illuminate the entire fridge compartment. An LED spotlight also provides ideal lighting in the hyperFresh premium 0°C drawer. Lights are anti-dazzling with soft start design, the brightness can also be precisely adjusted to the desired intensity.



了解更多
Discover more

* 經中國家用電器檢測所及廣東省微生物分析檢測中心測試，產品能有效去除高達99.99%的大腸桿菌和金黄色葡萄球菌，防霉等級為0級，表示具有抗霉菌作用。測試報告WCI-18-30455 (13 Sept. 2018)和2017FM03509R03D (5 Jun. 2018)。
Up to 99.99% reduction on Escherichia coli, Staphylococcus aureus and ability to resist mould attack. – test WCI-18-30455 (13 Sept. 2018) at China Testing & Inspection Institute for Household Electric Appliances and test 2017FM03509R03D (5 Jun. 2018) at Guangdong Detection Center of Microbiology.

法式多門無霜雪櫃 French door refrigerator



時尚黑晶型玻璃門
Sleek black glass door

KF86FPB2A

系列 iQ Class	iQ700
容量(總/淨 升) Volume (Gross/Net L)	540 / 426
保鮮格容量(淨 升) Fridge volume (Net L)	359
冷藏室 / hyperFresh premium 0 °C容量 (淨升) Fridge / hyperFresh premium 0 °C volume (Net L)	279 / 80
冰格容量(淨 升) Freezer volume (Net L)	67
冷凍功能(每日公斤) Freezing capacity (kg/24hrs)	14
環保雪種 Environmentally friendly refrigerant	R600a
歐洲能源效益標籤 EU energy efficiency	A+
香港能源效益標籤 HK energy label	1
變頻式壓縮機 Inverter compressor	■
櫃外LED功能顯示屏 Exterior LED multi-function display	■
關門提示 Door close reminder	■
控制面板安全鎖 Safety child lock	■
特殊功能 Special functions	節能、保鮮、假日模式 eco, fresh, vacation modes
保鮮格(冷藏室) Fridge compartment	
Super冷藏功能 Super cool setting	■
hyperFresh 0°C保鮮室連2個保鮮盒 (iSensoric智感濕度控制) hyperFresh premium 0°C drawer with 2 flexible boxes (with iSensoric humidity control)	■
IZA空氣過濾器 IZA airFresh filter	■
3D層層出風流通系統 3D multiAirflow system	■
矚目LED櫃內照明 Premium LED Interior lighting	■
強化玻璃層架(可調高度) Tempered glass shelves (height adjustable)	■
保鮮格連2個保鮮盒(裝有拉趟導軌) Fresh drawer with 2 flexible boxes (with telescopic rail)	■
自選保存格和蛋格 Flex box and egg tray	■
冰格(冷凍室) Freezer compartment	
Super冷凍功能 Super freeze setting	■
抽屜式冷凍保存格 Pull out drawer with extension rail system	2
有蓋冰粒格 Ice cube tray with lid	■
尺寸 Dimensions*	
尺寸(厘米) Dimension (cm) (H x W x D)	183 x 81 x 73.6
尺寸(吋) Dimension (inch) (H x W x D)	72 x 31.9 x 29
原產地 Country of origin	中國 China

* 廚櫃內安裝建議預留最少通風位，高：90mm，兩側：最少25mm每邊，背：50mm。雪櫃門鉸須設於廚櫃外。

* Recommended min. ventilation space for built-in installation, Top: 90mm, Sides: min. 25mm each, Back: 50mm. Door hinge should be placed outside the cabinet.

客戶可享有免費上門聯位服務一次，請向銷售人員查詢。Please consult sales consultant for a free on-site inspection.

香港和澳門地區暫時未能支援Home Connect功能。Home Connect function is currently unavailable in Hong Kong and Macau region.

全面升級hyperFresh premium 0°C保鮮室

全新法式多門雪櫃採用嶄新iSensoric操作概念。設定溫度和濕度從未如此簡單方便，透過抽屜門把手觸控顯示屏以智能感應控制濕度。兩個40公升可拆卸保鮮盒及金屬伸縮導軌帶來真正的豪華氣派，智能感應出最佳的濕度狀態使食物保持原有新鮮*。



The new, giant hyperFresh premium 0°C freshness drawer

The new French door refrigerator features a new iSensoric operating concept. Thanks to integrated handle displays with motorized humidity control operated by touch, setting the temperature and humidity level have never been easier. The metal telescopic rails with two 40 litre removable boxes are pure luxury, with the added benefit that the optimal humidity level keeps food fresh for longer*.



鬼斧神工的設計和更大的容量

憑藉令人驚嘆的黑色玻璃面和嵌入式弧形手柄設計，雪櫃不僅為日常貯存使用提供彈性，而且更大大提高了便利。寬敞的對開門設計和位於低位置符合人體工程學的抽屜，讓每日提取食物變得更加容易。更大的貯存容量更是讓人滿意。

Superior design and a larger volume

With its stunning black glass and integrated curved handles designs, the refrigerator isn't just flexible in everyday use, it's also extremely convenient. Daily access to food couldn't be easier thanks to the generous double doors and ergonomically positioned drawers on the lower level. And best of all, the larger usable volume leaves nothing to be desired.

精確，簡單和直接

所有雪櫃的功能均可透過雙櫃門輕觸式電子顯示屏設定。您可即時設定雪櫃功能，如溫度，濕度水平和eco節能模式。此外，輕觸式控制顯示屏是iSensoric的通信樞紐，將設定和各感應器數據控制其他功能。冷藏室，hyperFresh premium 0°C保鮮室和冷凍室溫度可單獨控制，配合真正需要。

Precise, easy and intuitive

All refrigerator functions are set with a gentle touch using duo indoor electronic LED displays with touchControl. The functions of the refrigerator such as temperature, humidity level and eco mode can be immediately set. Furthermore, the touchControl display is also the communications hub for iSensoric, as this is where the data is collected from the various sensors for controlling other functions. For more convenience, the fridge, hyperFresh premium 0°C drawer and freezer can be controlled separately.

* 與舊型號或自身的冷藏室相比，貯存在hyperFresh premium 0°C保鮮室的食物可有效延長食物保鮮期。菠菜貯存在高濕度設置的hyperFresh premium 0°C保鮮室得到更長的保鮮期，減少重量損失和維生素C損失。枸杞和奶粉貯存在低濕度設置的hyperFresh premium 0°C保鮮室得到更長的保鮮期，增重率得到較小變化。奶粉氧化程度和細菌含量均較低當貯存在低濕度設置的hyperFresh premium 0°C保鮮室。- 經中國家用電器檢測所測試WB-18-106(2018年3月5日)

Food stored in hyperFresh premium 0°C drawer give a longer life span comparing to normal fridge compartment. Spinach received a longer shelf life, less weight loss and Vitamin C loss in hyperFresh premium 0°C drawer with high humidity setting. Wolfberry and milk powder received a longer shelf life, less weight gain in hyperFresh premium 0°C drawer with low humidity setting. Milk powder recorded less oxidation and lower bacterial content when it stored in hyperFresh premium 0°C drawer with low humidity setting. - Test WB-18-106 (5 Mar.2018) at China Testing & Inspection Institute for Household Electric Appliances.

對門式變頻雪櫃 Side-by-side inverter refrigerator



自動製冰製水器

- 可預設冰粒、碎冰或冷水三個不同模式，輕輕一觸按鈕即可隨心享用。
- 自動製冰功能均附設濾水器，自來水會經過濾水器才進入製冰箱。
- 製冰器出口設有LED燈，除方便照明之外，更增添雪櫃的美感。

Automatic ice & water dispenser

- It can be preset to one of three different modes: ice cubes, crushed ice or cold water. At a gentle touch of the button, you can enjoy whichever you most desire.
- The ice dispenser function equips with a water filter, water flows through the filter before passing through the dispenser system.
- LED lighting around the arc of dispenser provides extra illumination with a beautiful and appealing effect.



掃描此QR碼了解更多自動製冰器
Scan our QR code to discover more
about the automatic ice dispenser



西門子對門式雪櫃秉承西門子雪櫃
一貫優點與特質，而且更精益求精，
不斷求進。

Siemens side-by-side refrigerator
offers stunning features and benefits
as Siemens other cooling series, and
even more.



LED控制顯示屏

置於櫃門上的LED控制顯示屏操控簡單清晰，讓您輕鬆使用雪櫃的每個功能。

In-door LED display

The sophisticated design and user-friendly electronics gives you easy control of all functions on the touch panel.

變頻壓縮機

西門子智能變頻技術是iSensoric和變頻壓縮機的智慧結合。感應器會不斷監測雪櫃中的溫度和濕度變化，例如在打開門時或將熱的食物貯存於雪櫃內都會使雪櫃內溫度產生變化。變頻壓縮機接收此信息及對其需要溫度作出適應調節，能源效益和寧靜無庸置疑。

Inverter compressor

The intelligent inverter technology is a clever combination of the inverter compressor and iSensoric. The sensors register every slight change in temperature and humidity inside the refrigerator, e.g. when the door is opened or warm foods are stored. The inverter compressor receives this information and adapts its need to cool food intelligently, energy-efficiently and incredibly quiet.



濾水器更換提示功能

設有自動製冰製水器的對門式雪櫃配備濾水器更換提示功能，建議每六個月或當顯示屏上亮起更換提示時更換濾水器。更換濾水器非常簡單方便，顧客可於西門子網上商店購買。

Water filter replacement indicator

Side-by-side refrigerator equipped with an ice & water dispenser comes with a water filter replacement indicator. It is recommended to replace in every 6 months or when the "filter change" alert is lighted up on the display panel. Exchanging the water filters is easy and simple, customer can purchase at Siemens Home Appliances eShop.

新產品!
New!



產品編號 Product Code	11032518*
產品名稱 Product Name	UltraClarity® Pro內置式濾水器 UltraClarity® Pro internal water filter cartridge
	韓國製造 Made in Korea

* 以上濾水器只適用於KA93DVIFPG。The water filter is only for KA93DVIFPG
濾水器獲得美國國家衛生會認證符合NSF/ANSI標準42、53及401。Water filter is certified with NSF/ANSI Standards 42, 53 and 401 by Natural Sanitation Foundation

NSF/ANSI 42標準：過濾氯氣、微粒和改善味道及氣味等影響人體健康的雜質。

NSF/ANSI 42 Standard: Filter non-health-related contaminants, such as chlorine, taste, odour and particulates.

NSF/ANSI 53標準：過濾與人體健康相關的雜質，包括隱孢子蟲、賈第蟲的卵囊和孢囊、鉛、揮發性有機化合物等。

NSF/ANSI 53 Standard: Filters specific-health-related contaminants, such as Cryptosporidium, Giardia, lead and VOCs, etc.

NSF/ANSI 401標準：過濾15種新興污染物，包括一些藥物、非處方藥、除草劑、殺蟲劑、化學化合物及清潔劑等。

NSF/ANSI 401 Standard: Filters 15 types of the emerging contaminants, such as prescription/OTC drugs, herbicides and pesticides and chemicals used as flame retardants and detergents etc.



冰格特大儲存格 bigBox

極大容量存放新鮮食物

西門子對門式雪櫃特設特大儲存空間及高靈活性的間隔，easyAccess可易拉出層架和保鮮格可提供良好視野，讓您輕鬆提取食物。冰格特大儲存格，助您存取食物更方便，保鮮空間亦能靈活盡用。

High storage capacity for fresh food and good health coolDuo refrigerators are designed with ample space and flexibility. The easyAccess extendable glass shelves and compartments gives a good view and easily load of your stored food. The bigBox in freezer compartment all play a part in maximising net storage capacity for preserving fresh food.



無霜對門雪櫃 No frost refrigerator, side by side



新產品!
New!

防指紋不銹鋼色櫃門
antiFingerprint stainless steel colour door

KA93DVIFPG

容量(總/淨 升) Volume (Gross/Net L)	600 / 533
保鮮格容量(淨 升) Fridge volume (Net L)	368
冰格容量(淨 升) Freezer volume (Net L)	165
冷凍功能(每日公斤) Freezing capacity (kg/24hrs)	13
環保雪種 Environmentally friendly refrigerant	R600a
歐洲能源效益標籤 EU energy efficiency	A+
香港能源效益標籤 HK energy label	1
變頻式壓縮機 Inverter compressor	■
櫃外多功能顯示屏 Exterior multi-function display	LED
LED櫃內照明 LED interior lighting	■
層層出風流通系統 multiAirflow system	■
特殊功能 Special functions	節能、假日模式 eco, vacation mode
關門提示 Door close reminder	■
控制面板安全鎖 Safety child lock	■
保鮮格(冷藏室) Fridge compartment	
Super冷藏功能 Super cool setting	■
Fresh蔬果保鮮格 Fresh fruit and vegetables drawer	2
強化玻璃層架 Tempered glass shelf	5
門架 Door tray	5
蛋格 Egg tray	■
冰格(冷凍室) Freezer compartment	
Super冷凍功能 Super freeze setting	■
抽屜式冷凍保存格 Pull out drawer	2
強化玻璃層架 Tempered glass shelf	5
門架 Door tray	3
獨特設計 Features	
自動製冰製水器 Automatic ice and water dispenser	碎冰、冰粒、水 crushed ice, ice cube, water
製冰製水安全鎖 Ice and water dispenser lock	■
內置濾水器 Integrated water filter	■
濾水器更換提示 Water filter replacement indicator	■
製冰製水器出口LED照明 LED illuminated ice and water dispenser	■
尺寸 Dimensions[▲]	
尺寸(厘米) Dimension (cm) (H x W x D)	178.7 x 90.8 x 70.7 (76.2*)
尺寸(吋) Dimension (inch) (H x W x D)	70.4 x 35.7 x 27.3 (30*)
原產地 Country of origin	中國 China

* 包括門柄。▲ 深度包括後方28毫米定位作通風。廚櫃內安裝建議預留最少通風位，高：90毫米，兩側：最少25毫米每邊，雪櫃門鉸須設於廚櫃外。

* Include door handle. ▲ Depth includes 28mm spacer at the rear for ventilation. Recommended min. ventilation space for built-in installation, Top: 90mm, Sides: min. 25mm each, door hinge should be placed outside the cabinet.

客戶可享有免費上門評估服務一次，請向銷售人員查詢。Please consult sales consultant for a free on-site inspection.

無霜對門雪櫃 No frost refrigerator, side by side



防指紋不銹鋼色櫃門
antiFingerprint stainless steel colour door

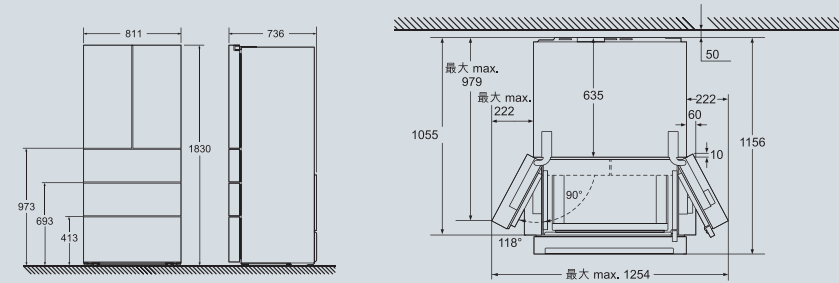
KA92NVI35K

容量(總/淨 升) Volume (Gross/Net L)	659 / 604
保鮮格容量(淨 升) Fridge volume (Net L)	387
冰格容量(淨 升) Freezer volume (Net L)	217
冷凍功能(每日公斤) Freezing capacity (kg/24hrs)	12
環保雪種 Environmentally friendly refrigerant	R600a
歐洲能源效益標籤 EU energy efficiency	A++
香港能源效益標籤 HK energy label	1
雙製冷系統 Two cooling systems	■
變頻式壓縮機 Inverter compressor	■
櫃外LED溫度選擇 Exterior LED temperature selection	■
LED櫃內照明 LED interior lighting	■
強化玻璃層架(可調高度) Tempered glass shelves (height adjustable)	■
層層出風流通系統 multiAirflow system	■
特殊功能 Special functions	節能、保鮮、假日模式 eco cool, fresh, vacation modes
關門提示 Door close reminder	■
控制面板安全鎖 Safety child lock	■
保鮮格(冷藏室) Fridge compartment	
Super冷藏功能 Super cool setting	■
hyperFresh蔬果鎖濕保鮮格(裝有拉趟導軌) hyperFresh drawer with humidity control (with telescopic rail)	■
乳製品儲存格和蛋格 Dairy compartment and egg tray	■
冰格(冷凍室) Freezer compartment	
Super冷凍功能 Super freeze setting	■
特大儲存格 bigBox	■
旋轉式製冰格 Ice twister	■
尺寸 Dimensions*	
尺寸(厘米) Dimension (cm) (H x W x D)	175.6 x 91.2 x 73.2
尺寸(吋) Dimension (inch) (H x W x D)	69.1 x 35.9 x 28.8
原產地 Country of origin	中國 China

安裝圖 Installation diagrams

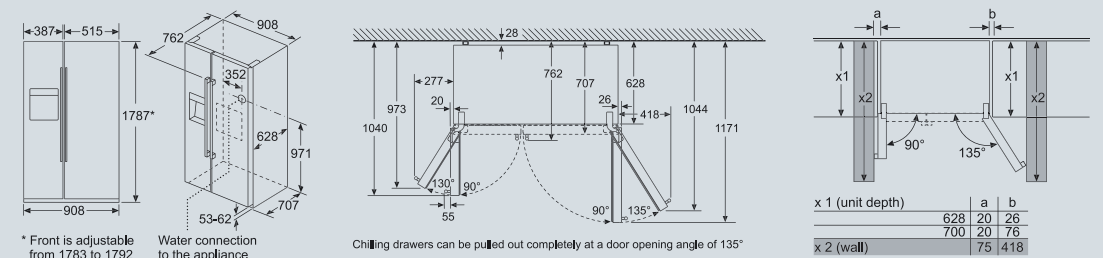
法式多門無霜雪櫃 French door refrigerator

KF86FPB2A

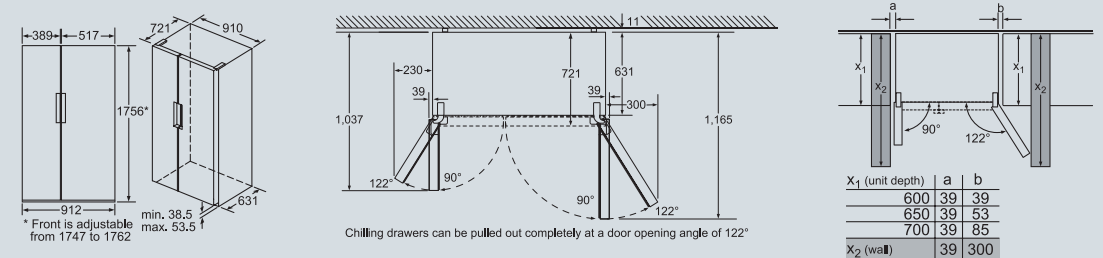


無霜對門雪櫃 No frost refrigerator, side by side

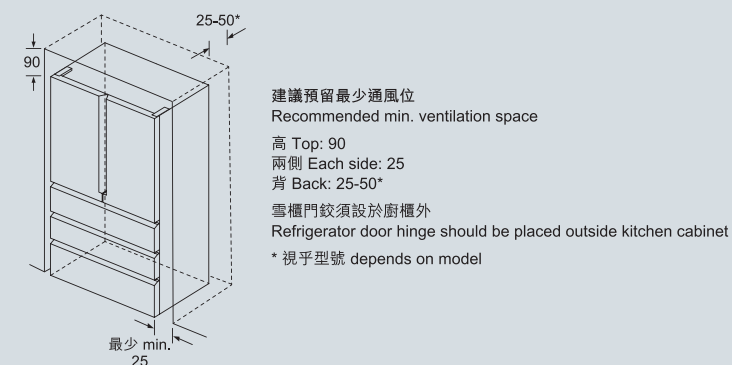
KA93DVIFPG



KA92NVI35K



標準廚櫃內安裝尺寸 General built-in installation dimensions



*深度包括後方11毫米定位作通風。廚櫃內安裝建議預留最少通風位，高：90毫米，兩側：最少25毫米每邊，雪櫃門鉸須設於廚櫃外。
*Depth includes 11mm spacer at the rear for ventilation. Recommended min. ventilation space for built-in installation, Top: 90mm, Sides: min. 25mm each, door hinge should be placed outside the cabinet.

客戶可享有免費上門睇位服務一次，請向銷售人員查詢。Please consult sales consultant for a free on-site inspection.

零度無霜3門雪櫃

0°C no frost 3-Door refrigerator



零度保鮮科技 演繹非凡新鮮

西門子無霜零度保鮮雪櫃，將領先的智能科技，充分運用到零度保鮮*上。為食物保鮮提供更全面、更智能的貯存方案，讓您尊享充滿活力的新鮮生活。

hyperFresh 0°C technology for ultimate freshness

Siemens no frost hyperFresh 0°C refrigerator applied the leading intelligent technology for food preservation at 0°C*. It provides more comprehensive and intelligent solution that keeps food at its optimum condition and keeps up with your lifestyle.



冷藏室 盡得便捷自由

冷藏室設計配合人性所需，處處以人為本。易拉出層架，可以水平拉出，方便取放在層架後方物品，充分感受食物擺放的便捷和自由。

Flexible and convenient fridge compartment

Human-centered design focuses on comfort and functionality. The extendable glass shelves can be slid out smoothly, so that you can reach the food at the back of the fridge.



靈活冷凍室 新鮮随心擺放

冷凍室所有抽屜和玻璃層架都能全部移出，根據美食的型狀和大小靈活安排，新鮮由您随心擺放。

Flexible storage in freezer

All drawers and glass shelves in freezer can be removed; flexible arrangements provide enough room to store large frozen items.



3個獨立製冷系統

絕對的貯存靈活和提高新鮮度，每個區域可單獨調節和保持食物氣味分開。

3 Separate Cooling Systems

Absolute storage flexibility and freshness with 3 temperatures zones, each zone separately regulated and keeps food smell separately.



* 食材貯存於hyperFresh 0°C保鮮格比正常貯存溫度4°C冷藏室可有效延長食物保鮮期。豬肉、三文魚、草莓和蘆筍貯存在hyperFresh 0°C保鮮格可減少重量損失，維持更好的食物品質。豬肉和三文魚在hyperFresh 0°C保鮮格貯存，沒有檢測到組胺含量產生，顯示微生物污染較少。
SGS 研究報告HKGEC1700510803 (日期：22 Jun 2018)
Food storage in hyperFresh 0°C drawers give a longer life span comparing to normal 4°C compartment storage. Pork, salmon, strawberry and asparagus stored in hyperFresh 0°C drawers receive less weight loss of food; the better quality of food is maintained. Pork and salmon in hyperFresh 0°C drawers, the determination of histamine content is not detected, indicated less microbiological contamination.
- Study report HKGEC1700510803 (dated 22 Jun 2018) issued by SGS Hong Kong Limited

零度無霜3門雪櫃 0°C no frost 3-Door refrigerator



型格白晶型玻璃門
Cool white glass door

KG28US12EK

容量(總/淨 升) Volume (Gross/Net L)	284 / 275
保鮮格容量(淨 升) Fridge volume (Net L)	197
冷藏室 / hyperFresh 0°C容量 (淨 升) Fridge/hyperFresh 0°C vol. (Net L)	131 / 66
冰格容量(淨 升) Freezer volume (Net L)	78
冷凍功能(每日公斤) Freezing capacity (kg/24hrs)	10
環保雪種 Environmentally friendly refrigerant	R600a
香港能源效益標籤 HK energy label	1
獨立製冷系統 Separate cooling systems	3
變頻式壓縮機 Inverter compressor	■
櫃外多功能顯示屏 Exterior multi-function display	LCD
特殊功能 Special functions	節能、假日模式、計時器 eco, vacation modes, timer
關門提示 Door close reminder	■
控制面板安全鎖 Safety child lock	■
保鮮格(冷藏室) Fridge compartment	
Super冷藏功能 Super cool setting	■
空氣過濾網 airFresh filter	■
LED櫃內照明 LED Interior lighting	■
強化玻璃層架(可調高度) Tempered glass shelves (height adjustable)	■
hyperFresh 0°C蔬果保鮮格 (裝有拉趟導軌) hyperFresh 0°C drawer with humidity filter (with telescopic rail)	■
hyperFresh 0°C鮮肉保鮮格 (裝有拉趟導軌) hyperFresh 0°C drawer for fish and meat (with telescopic rail)	■
抽屜式保鮮格(裝有拉趟導軌)和蛋格 Pull out drawer (with telescopic rail) and egg tray	■
乳製品儲存格 Dairy compartment	■
樽架 Bottle holder	■
冰格(冷凍室) Freezer compartment	
Super冷凍功能 Super freeze setting	■
抽屜式冷凍保存格 Pull out drawer	3
旋轉式製冰格 Ice twister	■
尺寸 Dimensions*	
尺寸(厘米) Dimension (cm) (H x W x D)	185.4 x 60 (61.4*) x 66.8
尺寸(吋) Dimension (inch) (H x W x D)	73 x 23.6 (24.2*) x 26.3
原產地 Country of origin	中國 China

左右門鉸選擇 Reversible door hinge

*包括門板厚度。▲深度包括後方定位作通風。廚櫃內安裝建議預留最少通風位，高：90毫米，兩側：最少25毫米每邊，雪櫃門鉸須設於廚櫃外。

* Include door panel width. ▲ Depth includes spacer at the rear for ventilation. Recommended min. ventilation space for built-in installation, Top: 90mm, Sides: min. 25mm each, door hinge should be placed outside the cabinet.



銀色
Silver color

KG28UA290K

容量(總/淨 升) Volume (Gross/Net L)	284 / 275
保鮮格容量(淨 升) Fridge volume (Net L)	197
冷藏室 / hyperFresh 0°C容量 (淨 升) Fridge/hyperFresh 0°C vol. (Net L)	131 / 66
冰格容量(淨 升) Freezer volume (Net L)	78
冷凍功能(每日公斤) Freezing capacity (kg/24hrs)	10
環保雪種 Environmentally friendly refrigerant	R600a
香港能源效益標籤 HK energy label	1
獨立製冷系統 Separate cooling systems	3
櫃內LED溫度選擇 Interior LED temperature selection	■
關門提示 Door close reminder	■
保鮮格(冷藏室) Fridge compartment	
Super冷藏功能 Super cool setting	■
LED櫃內照明 LED Interior lighting	■
強化玻璃層架(可調高度) Tempered glass shelves (height adjustable)	■
hyperFresh 0°C蔬果保鮮格 (裝有拉趟導軌) hyperFresh 0°C drawer for fruit and vegetables (with telescopic rail)	■
hyperFresh 0°C鮮肉保鮮格 (裝有拉趟導軌) hyperFresh 0°C drawer for fish and meat (with telescopic rail)	■
抽屜式保鮮格和蛋格 Pull out drawer and egg tray	■
冰格(冷凍室) Freezer compartment	
Super冷凍功能 Super freeze setting	■
抽屜式冷凍保存格 Pull out drawer	3
冰粒格 Ice cube tray	■
尺寸 Dimensions*	
尺寸(厘米) Dimension (cm) (H x W x D)	185.4 x 60 (61.2*) x 66.2
尺寸(吋) Dimension (inch) (H x W x D)	73 x 23.6 (24*) x 26
原產地 Country of origin	中國 China

左右門鉸選擇 Reversible door hinge

*包括門板厚度。▲深度包括後方定位作通風。廚櫃內安裝建議預留最少通風位，高：90毫米，兩側：最少25毫米每邊，雪櫃門鉸須設於廚櫃外。

* Include door panel width. ▲ Depth includes spacer at the rear for ventilation. Recommended min. ventilation space for built-in installation, Top: 90mm, Sides: min. 25mm each, door hinge should be placed outside the cabinet.

貼心設計 方便節能

Efficient and user-friendly design



層層出風流通系統

雪櫃背壁有多層出風口，以層層出風的方法讓冷空氣吹遍櫃內每一角落，從而帶出均勻的冷藏效果，空氣循環比一般出風方法更有效率。無論食物放進任何層格都能受冷風吹拂，冷藏自然更快。即使櫃內滿載食物仍能保持穩定溫度，食物保鮮期自然更長久。

multiAirflow system

multiAirflow ensures balanced distribution of cold air throughout the refrigerator by using multi-level air vents sited in rear panels. Efficiency is improved in comparison to normal air-out techniques. As such, food can be chilled faster wherever it is placed, even if the refrigerator is fully loaded, a constant temperature is retained to preserve food freshness.



空氣過濾網

內置活性炭過濾網的蜂巢式表面能有效過濾櫃內空氣。當放入氣味濃烈的食物時，過濾網便會發揮作用，吸走難聞氣味，讓雪櫃時刻保持清新亦避免影響其他食物的味道。

airFresh filter

Strong smelling foods can be stored without any worries. The efficient integrated carbon filtering net with special honeycomb surface absorbs all pungent smell and secures the flavour of each item.



掃描此QR碼
了解更多空氣過濾網
Scan our QR code to discover
more about airFresh filter

LED電子溫度控制

帶LED光的輕觸式控制鍵及溫度顯示，操控簡單清晰，讓您輕鬆使用雪櫃的每個功能。

LED electronic temperature control

The sophisticated LED-illuminated touch panel and temperature indication give you easy control of the refrigerator functions.



櫃內控制 Interior control

Super冷藏 / 冷凍功能

當儲存大量新鮮食物時，可按Super鍵，保鮮格/冰格內的溫度即迅速急降，為新鮮食物急速降溫，亦避免室溫食物影響保鮮格或冰格已存食物的溫度。

Super cool and Super freeze setting

To store large quantities of new fresh food, a press of the Super button will rapidly lower the temperature of either fridge or freezer compartments. This quickly cools new contents to retain their freshness and avoids consequent increase in temperature of existing contents that would shorten their lifespan.



樽架

寬闊的金屬樽架可因應需要裝上或移走，使櫃內空間更加靈活實用。

bottleRack

The full-width metal bottleRack can be flexibly removed to allow efficient use of space.



無霜雪櫃 (下置冰格) No frost refrigerator, bottom freezer



防指紋不銹鋼色櫃門
antiFingerprint stainless steel colour door

KG36NVI37K

容量(總/淨) 升 Volume (Gross/Net L)	357 / 323
保鮮格容量(淨) 升 Fridge volume (Net L)	235
冰格容量(淨) 升 Freezer volume (Net L)	88
冷凍功能(每日公斤) Freezing capacity (kg/24hrs)	14
環保雪種 Environmentally friendly refrigerant	R600a
歐洲能源效益標籤 EU energy efficiency	A++
香港能源效益標籤 HK energy label	1
雙製冷系統 Two cooling systems	■
櫃內LED溫度選擇 Interior LED temperature selection	■
eco節能模式 eco energy saving mode	■
關門提示 Door close reminder	■
保鮮格(冷藏室) Fridge compartment	
Super冷藏功能 Super cool setting	■
層層出風流通系統 multiAirflow system	■
LED櫃內照明 LED Interior lighting	■
強化玻璃層架(可調高度) Tempered glass shelves (height adjustable)	■
hyperFresh蔬果鎖濕保鮮格 hyperFresh drawer with humidity control	■
hyperFresh 0°C鮮肉保鮮格 hyperFresh 0°C drawer for fish and meat	2
樽架和蛋格 bottleRack and egg tray	■
冰格(冷凍室) Freezer compartment	
Super冷凍功能 Super freeze setting	■
抽屜式冷藏保存格 Pull out drawer	3
有蓋冰粒格 Ice cube tray with lid	■
尺寸 Dimensions*	
尺寸(厘米) (高x闊x深) Dimension (cm) (H x W x D)	186 x 60 x 66
尺寸(吋) (高x闊x深) Dimension (inch) (H x W x D)	73.2 x 23.6 x 26
原產地 Country of origin	土耳其 Turkey

左右門鉸選擇 Reversible door hinge

*深度包括後方定位作通風。廚櫃內安裝建議預留最少通風位，高：12毫米，兩側：最少25毫米每邊。

*Depth includes spacer at the rear for ventilation. Recommended min. ventilation space for built-in installation, Top: 12mm, Sides: min. 25mm each.

無霜雪櫃 (下置冰格) No frost refrigerator, bottom freezer



鈦銀面
Inox look fascia

KG36NNL31K

KG33NNL31K

容量(總/淨 升) Volume (Gross/Net L)	329 / 306	306 / 279
保鮮格容量(淨 升) Fridge volume (Net L)	217	193
冰格容量(淨 升) Freezer volume (Net L)	89	86
冷凍功能(每日公斤) Freezing capacity (kg/24hrs)	11	11
環保雪種 Environmentally friendly refrigerant	R600a	R600a
歐洲能源效益標籤 EU energy efficiency	A++	A++
香港能源效益標籤 HK energy label	1	1
關門提示 Door close reminder	■	■
保鮮格(冷藏室) Fridge compartment		
櫃內溫度選擇 Interior temperature selection	■	■
LED櫃內照明 LED Interior lighting	■	■
強化玻璃層架(可調高度) Tempered glass shelves (height adjustable)	■	■
Fresh蔬果保鮮格 Fresh fruit and vegetables drawer	■	■
蛋格 Egg tray	■	■
冰格(冷凍室) Freezer compartment		
LED溫度選擇 LED temperature selection	■	■
Super冷凍功能 Super freeze setting	■	■
easyAccess冷凍保存格 easyAccess drawer	1	1
抽屜式冷藏保存格 Pull out drawer	2	2
尺寸 Dimensions[▲]		
尺寸(厘米) (高x闊x深) Dimension (cm) (H x W x D)	186 x 60 x 66	176 x 60 x 66
尺寸(吋) (高x闊x深) Dimension (inch) (H x W x D)	73.2 x 23.6 x 26	69.3 x 23.6 x 26
原產地 Country of origin	土耳其 Turkey	土耳其 Turkey

左右門鉸選擇 Reversible door hinge

▲深度包括後方定位作通風。廚櫃內安裝建議預留最少通風位，高：12毫米，兩側：最少25毫米每邊。

▲Depth includes spacer at the rear for ventilation. Recommended min. ventilation space for built-in installation, Top: 12mm, Sides: min. 25mm each.

無霜雪櫃 (上置冰格) No frost refrigerator, top freezer



* 視乎型號 Depends on model

鈦銀面
Inox look fascia

KD28NVL3AK

KD25NVL3AK

KD23NVL3AK

容量(總/淨 升) Volume (Gross/Net L)	272 / 245	250 / 224	230 / 202
保鮮格容量(淨 升) Fridge volume (Net L)	195	174	152
冰格容量(淨 升) Freezer volume (Net L)	50	50	50
冷凍功能(每日公斤) Freezing capacity (kg/24hrs)	3	3	3
環保雪種 Environmentally friendly refrigerant	R600a	R600a	R600a
香港能源效益標籤 HK energy label	1	1	1
變頻式壓縮機 Inverter compressor	■	■	■
保鮮格(冷藏室) Fridge compartment			
層層出風流通系統 multiAirflow system	■	■	■
空氣過濾網 airFresh filter	■	■	■
櫃內溫度控制 Interior temperature control	■	■	■
LED櫃內照明 LED Interior lighting	■	■	■
Fresh zone保鮮格和蛋格 Fresh zone compartment and egg tray	■	■	■
強化玻璃層架(可調高度) Tempered glass shelves (height adjustable)	■	■	■
hyperFresh蔬果鎖濕保鮮格 hyperFresh drawer with humidity control	■	■	■
門架設計 Door rack design*	5	4	3
冰格(冷凍室) Freezer compartment			
櫃內溫度控制 Interior temperature control	■	■	■
強化玻璃層架 Tempered glass shelves	■	■	■
旋轉式製冰格 Ice twister	■	■	■
尺寸 Dimensions[▲]			
尺寸(厘米) (高x闊x深) Dimension (cm) (H x W x D)	165.6 x 55 x 60.5	155.6 x 55 x 60.5	145.6 x 55 x 60.5
尺寸(吋) (高x闊x深) Dimension (inch) (H x W x D)	65.2 x 21.7 x 23.8	61.3 x 21.7 x 23.8	57.3 x 21.7 x 23.8
原產地 Country of origin	中國 China	中國 China	中國 China

左右門鉸選擇 Reversible door hinge

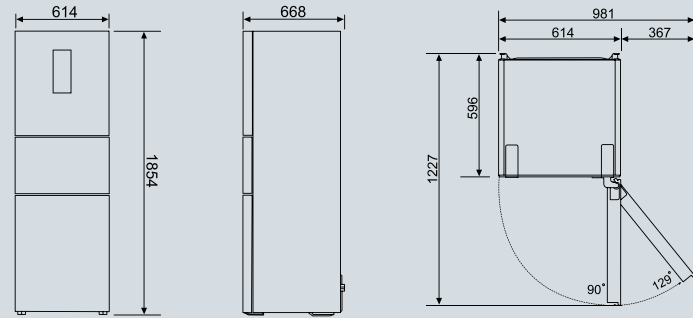
▲廚櫃內安裝建議預留最少通風位，高：90毫米，兩側：最少25毫米每邊，背：50毫米，雪櫃門鉸須設於廚櫃外。

▲Recommended min. ventilation space for built-in installation, Top: 90mm, Sides: min. 25mm each, Back: 50mm, door hinge should be placed outside the cabinet.

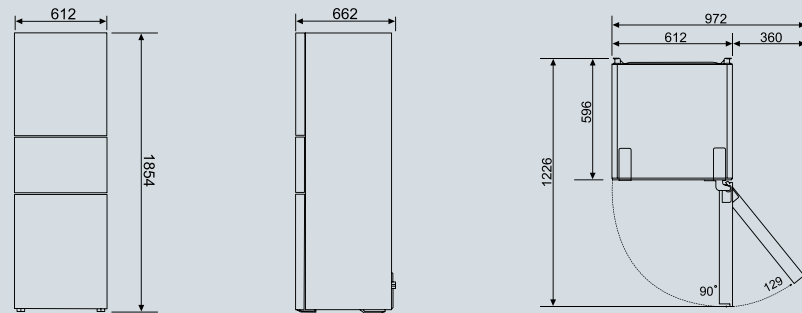
安裝圖 Installation diagrams

零度無霜3門雪櫃 0°C no frost 3-Door refrigerator

KG28US12EK

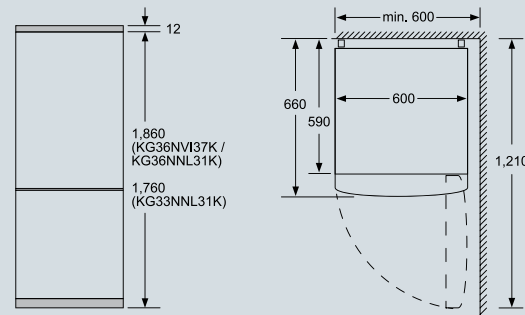


KG28UA290K



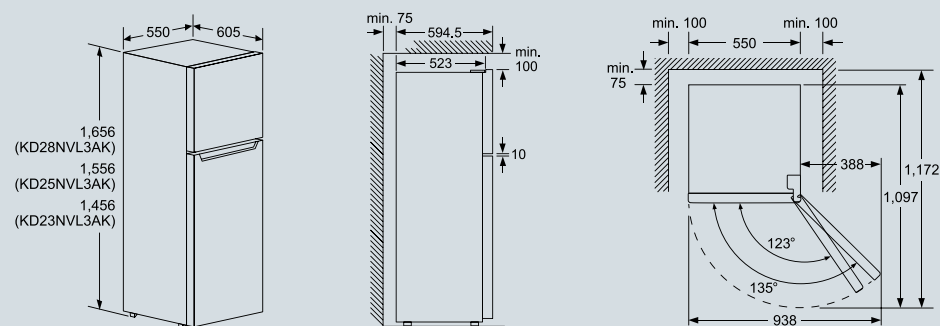
無霜雪櫃（下置冰格） No frost refrigerator, bottom freezer

KG36NVI37K / KG36NNL31K / KG33NNL31K



無霜雪櫃（上置冰格） No frost refrigerator, top freezer

KD28NVL3AK / KD25NVL3AK / KD23NVL3AK



如科技發展般卓越：體驗專業清潔配方

As smart as the technology:
The recipe for intelligent cleaning.



雪櫃清潔劑 Special Cleaner for Refrigerators

產品編號 Product Code: 00312138

食品安全清潔劑

此清潔劑乃生態友善配方，符合食品安全，專為存放各種新鮮或已烹調食物的雪櫃而設。德國製造，清潔劑經原廠測試及檢定，而且膠樽由90%再生塑膠製成，配方亦不含有害物質及微膠粒，確保您安心使用。

Food safe cleaner

Thanks to the food safe and eco-friendly formulae, the special cleaner is developed for storing a variety of fresh or cooked delicacies refrigerators and freezers. Made in Germany, the cleaner is tested and approved for your Siemens refrigerators without dangerous substance and micro-plastic. In addition, the bottle consists of 90% recycled plastic, ensuring peace of mind and sustainability.

強效清潔 還原清新

佳餚放進雪櫃後，容易留下醬汁與氣味。呈泡沫狀的清潔劑能助您有效移除污垢，亦為您帶走異味，令雪櫃還原清新。

Hygienically clean and fresh

Drips, grease residues and smell from the food may end up in the fridge. The foam of cleaner specializes in dirt removal; reduces odours and gives a pleasant smell at once.

一款清潔劑 完成裡外全效清潔

不論是塑膠、金屬、玻璃或塗層表面，您亦可以使用此清潔劑為雪櫃內及外層表面進行清潔。

Single product on all surfaces

With only this cleaner, you can easily remove residues in and outside of refrigerators on all surfaces made of plastic, metal, glass, as well as printed or coated surfaces. It can also be applied on other kitchen surfaces.



不銹鋼護理抹布 Conditioning Cloths for Stainless Steel Surfaces

產品編號 Product Code: 00312007

擁有二合一功用的不銹鋼護理抹布可清除污漬、手指模印及同時為不銹鋼表面塗上保護層，令家電表面亮麗如初。

The 2-in-1 conditioning cloths can clean the stainless steel surfaces, protect it from fingerprints and further marks, which leave attractive shiny finish and enhance the look of your appliances.

以上產品可於西門子家電網上商店訂購。
Above items can be purchased at Siemens Home Appliances eShop.



雪櫃節能小智慧 Tips for refrigerator

1. Refrigerator should be placed away from heat sources such as a cooker, and make sure it is not in direct sunlight. It will operate more efficiently if it is in a cool spot.

雪櫃應盡量遠離熱源，如爐具，並確保安裝在不受陽光照射的位置。雪櫃在陰涼環境下會更有效地運作。

2. Keep the refrigerator at least 2.5cm of space on each side to allow good air circulation, and ensure there is adequate ventilation space at the back and top of the refrigerator.

保持雪櫃兩邊與其他物件至少距離2.5cm，以提供良好的空氣流通。並確保雪櫃的背面和頂部有足夠的空間通風。

3. Refrigerator should be kept at a steady temperature. Recommended temperatures are 2 – 4 °C for the fresh food compartment and -18 °C for a freezer.

雪櫃應保持在穩定溫度下操作。建議冷藏室溫度約在2 – 4 °C，冷凍室設定在-18 °C。

4. Do not put hot food straight into the refrigerator. As this will use up more energy when the fridge attempts to cool the food down. Save energy by letting it cool down first.

不要把熱的食物直接放入雪櫃。這會令雪櫃因需要冷卻熱的食物而增加能源消耗。建議先將食物涼放一會才放入雪櫃，以節省能源。

5. When you open the refrigerator door, the cool air escapes. The unit then works harder to replace the air. Therefore, minimize door openings as much as possible.

當每次打開雪櫃門，雪櫃內的冷空氣都會散失。然後雪櫃需要更多能源進行制冷。因此，請盡可能減少開門次數。

6. Cover liquids and containers with plastic wrap or a top so the fridge does not have to chill every exposed surface.

先將液體和容器用保鮮膜或頂蓋蓋好，再存放在雪櫃，以減少直接冷卻表面，浪費能源。

7. Make sure the refrigerator doors are properly shut and that the seals are clean.

確保雪櫃門正常關閉，密封封條保持乾淨。

尚有一系列西門子家電
就讓我們為您一一展現
Siemens Home Appliances
offers a wide selection of
the latest appliances



嵌入式家電
Built-in Appliances



洗衣及乾衣機
Washing and Drying



抽油煙機
Cooker Hood



洗碗碟機
Dishwasher



煮食爐
Hob

型號及規格只供參考，如有改動恕不另行通知。

Model numbers and specifications are for reference only and subject to change without prior notice.

博西華家用電器有限公司保留更改以上產品功能資料之權利。

產品實物之顏色可能與相片有輕微差異。

Right of technical modification reserved, delivery subject to availability, colors of actual products may vary from illustrations.

®註冊商標

® Registered trademark.

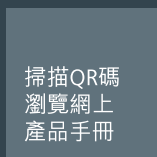
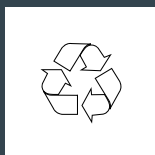
©2020博西華家用電器有限公司。所有權利保留。本目錄冊所載的全部內容及資料均屬博西華家用電器有限公司所有，且受版權保護。

任何人士如未獲博西華家用電器有限公司事先給予書面許可，不得複製、轉載、發放或擅用本目錄冊的任何內容或資料。香港印刷 01.2021

©2020 BSH Home Appliances Limited. All rights reserved. All contents and information contained in this catalogue are proprietary to

BSH Home Appliances Limited and are subject to copyright protection. Reproduction, republication, redistribution or unauthorised use of any

content or information contained in this catalogue is expressly prohibited without the prior written consent of BSH Home Appliances Limited. Printed in Hong Kong 01.2021



掃描QR碼
瀏覽網上
產品手冊



Scan
QR code
to browse
brochure
online



博西華家用電器有限公司

BSH集團是西門子股份公司的特許商標持有人

BSH Home Appliances Limited

BSH Group is a Trademark Licensee of Siemens AG

Siemens Home Appliances Experience Centre

中環雪廠街16號西洋會所大廈5樓 (入口位於都爹利街)

5/F, Club Lusitano, 16 Ice House Street, Central, Hong Kong (main entrance on Duddell Street)

客戶服務專線 Customer Contact Hotline:

2565 6151 (香港 Hong Kong) / 0800 030 (澳門本地專用 Macau local call only)

電郵 E-mail: siemens.hk.showroom@bshg.com

www.siemens-home.bsh-group.com.hk



facebook.com/SiemensHomeHongKong