

# T30BB925SS

## 30-INCH STAINLESS STEEL BUILT-IN 2-DOOR BOTTOM FREEZER, PRE-ASSEMBLED

FREEDOM® COLLECTION, PROFESSIONAL COLLECTION HANDLES



Also Available In:

T30BB915SS – Masterpiece® Collection Handles

### FEATURES & BENEFITS

- Full Stainless Steel Inner Liner
- Freedom® Hinge enables true flush design
- Auto Door Opening provides the opening of the door with just a slight push or pull
- ThermaFresh® System, Humidity and Temperature controlled drawers
- Soft Close Drawers for easy and controlled storage
- Sleek clean design for the perfect symmetry when paired with additional columns
- TFT control panel managing all your columns functions

### TEMPERATURE RANGES

|                              |  |
|------------------------------|--|
| Refrigerator                 | 36°F (2°C) to 46°F (8°C)                         |
| SuperCool                    | 36°F (2°C) for approximately 6 hours             |
| Energy Saving (Economy) Mode | Refrigerator: 45°F (7°C)<br>Freezer: 3°F (-16°C) |
| Freezer                      | -11°F (-24°C) to 7°F (-14°C)                     |
| SuperFreeze®                 | -22°F (-30°C) for approximately 52 hours         |

### GENERAL PROPERTIES

|  |                                   |
|--|-----------------------------------|
| Home Connect® (Wi-Fi Enabled)                    | Yes                               |
| Reversible Door Swing                            | Yes                               |
| Soft Close Door                                  | Yes                               |
| Soft Close Drawers                               | Yes                               |
| Carbon Air Filter                                | Yes                               |
| Lighting   | LED Sidewall and Theater Lighting |
| Refrigerator Shelves                             | 3                                 |
| Adjustable Shelves – Refrigerator                | 2                                 |
| Shelf Material                                   | Glass w/Aluminum Profile          |
| Full Extension Drawers @ 115° Door Opening Angle | Yes                               |
| Full Extension Drawers @ 90° Door Opening Angle  | Yes                               |
| Adjustable Temperature Drawer                    | 1                                 |
| Humidity Managed Drawer                          | 1                                 |
| Adjustable Door Bins – Refrigerator              | 2 Standard                        |
| Gallon Door Bins – Refrigerator                  | 1 Adjustable                      |
| Defrost Process – Freezer                        | Frost-Free                        |
| Freezer Baskets                                  | 2                                 |
| Ice Maker with Diamond Ice System                | Yes                               |
| Door Open Alarms                                 | Yes                               |
| Open Door Assist                                 | Yes                               |
| SuperCool  | Yes                               |
| SuperFreeze®                                     | Yes                               |
| Special Modes                                    | Sabbath, Economy, Vacation        |

### CAPACITY

|                                 |              |
|---------------------------------|--------------|
| Total Capacity (cu. ft.)        | 16.0 cu. ft. |
| Refrigerator Capacity (cu. ft.) | 11.5 cu. ft. |
| Freezer Capacity (cu. ft.)      | 4.5 cu. ft.  |

### TECHNICAL DETAILS

|                         |              |
|-------------------------|--------------|
| Watts (W)               | 350 W        |
| Current (A)             | 15 A         |
| Volts (V)               | 110-120 V    |
| Frequency (Hz)          | 60 Hz        |
| Power Cord Length (in.) | 118          |
| Plug Type               | 120V-3 Prong |

### DIMENSIONS & WEIGHT

|  |                             |
|--|-----------------------------|
| Appliance Dimensions (H x W x D) (in.) | 83 3/4" x 29 3/4" x 24 3/4" |
| Required Cutout Size (H x W x D) (in.) | 84" x 30" x 25"             |
| Net / Gross Weight (lbs)               | 481 / 523 lbs               |

### EFFICIENCY

|                           |         |
|---------------------------|---------|
| ENERGY STAR® Certified    | Yes     |
| Annual Energy Consumption | 470 kWh |

\*Height adjustable + / -1/2" (+ / -13 mm)

# T30BB925SS

## 30-INCH STAINLESS STEEL BUILT-IN 2-DOOR BOTTOM FREEZER, PRE-ASSEMBLED

FREEDOM® COLLECTION, PROFESSIONAL COLLECTION HANDLES

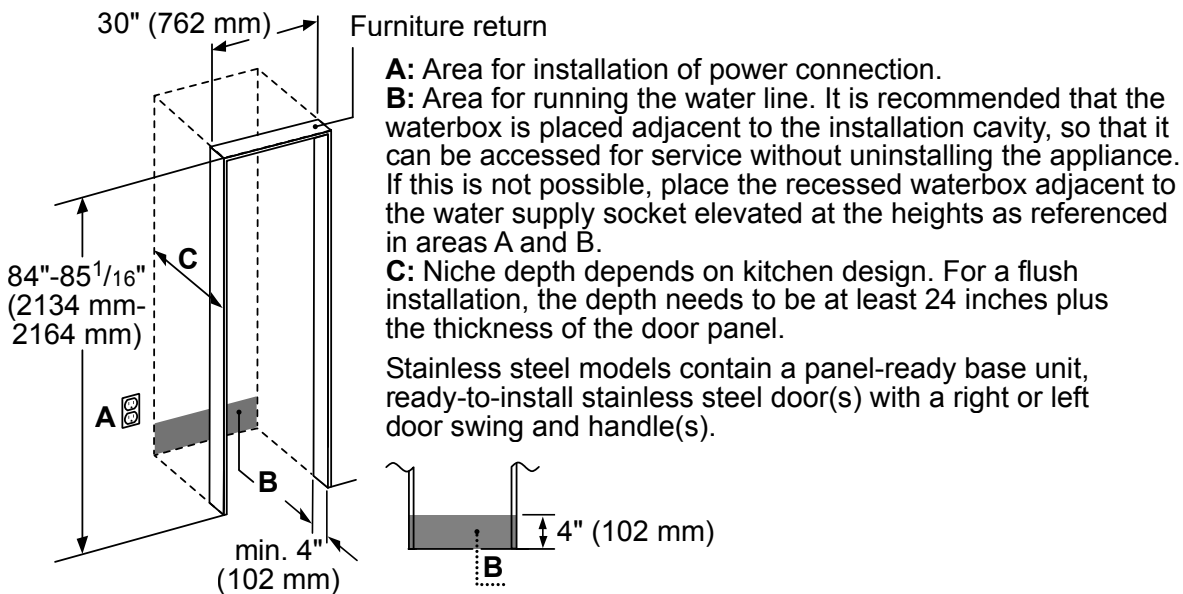


### WARRANTY

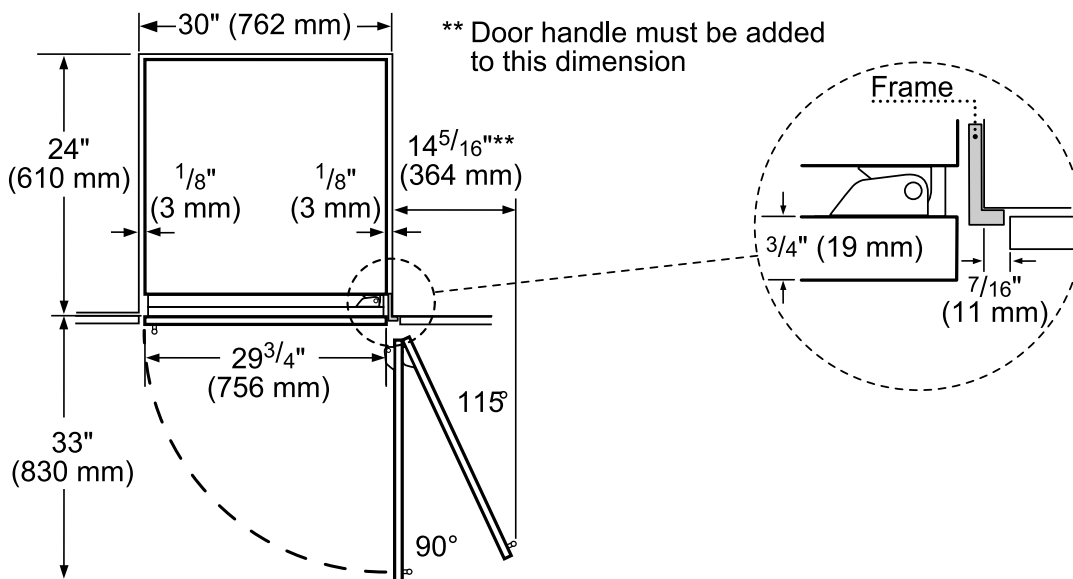
|   |                  |
|---|------------------|
| Limited, Entire Appliance, Parts and Labor on Any Part of the Refrigerator that Fails Because of a Manufacturing Defect | 2 Year           |
| Limited Warranty for Sealed Refrigeration System*; Parts and Labor  | 3rd to 6th Year  |
| Limited Warranty for Sealed Refrigeration System*; Parts Only   | 7th to 12th Year |
| Limited Warranty for Stainless Steel Rust-Through   | Lifetime         |

\*Sealed refrigeration system includes compressor, evaporator, condenser, dryer / strainer and connection tubing

### CUTOUT DIMENSIONS



### TOP VIEW CLEARANCE



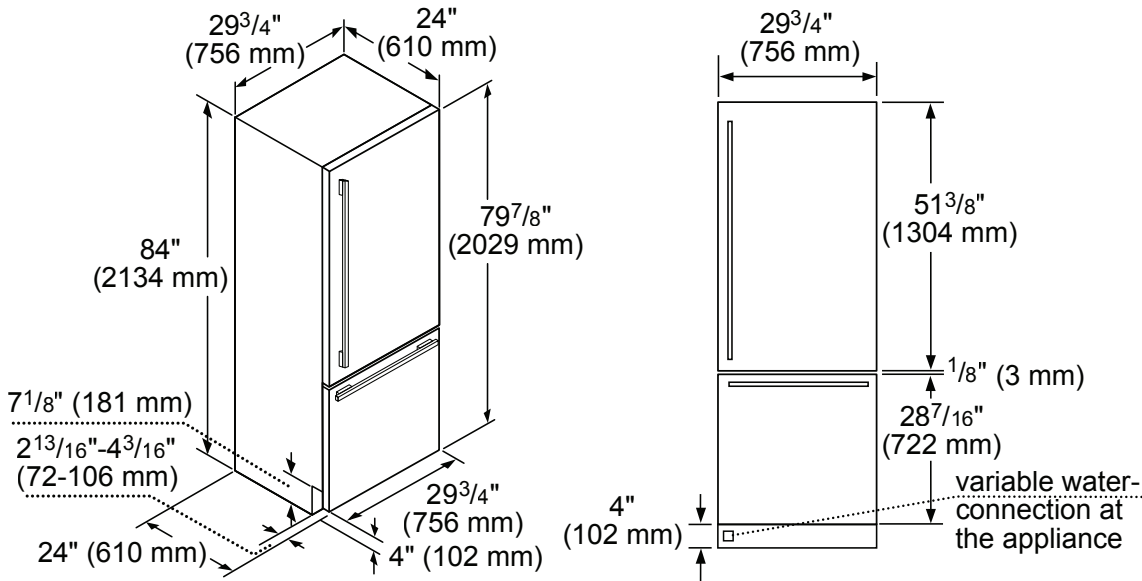
# T30BB925SS

## 30-INCH STAINLESS STEEL BUILT-IN 2-DOOR BOTTOM FREEZER, PRE-ASSEMBLED

FREEDOM® COLLECTION, PROFESSIONAL COLLECTION HANDLES



### PRODUCT AND PANEL DIMENSIONS



### ACCESSORIES (OPTIONAL)

#### STORAGE



**30HFGALBIN**  
30-Inch Half Gallon Bin



**LPRODBIN10**  
Large Produce Bin



**30PRODRAIL**  
30-Inch Produce Railing

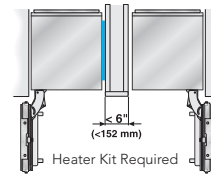
#### FILTERS



**REPLFLTR55**  
Freedom® Water Filter  
Replacement water filter  
for use in all freezer and  
bottom freezer models

#### FRAMEKIT10

Freedom® Frame Kit  
For any custom column installation  
in 24-inch deep cutouts. With two  
metal side trims whose placement  
between the interior cutout wall and  
the appliance helps overcome the  
challenge of unfinished cabinet returns.



#### HEATRKIT20 – 13W @ 120V

Freedom® Heater Kit  
Low voltage heating element designed to  
guard against condensation build up. For use  
with non-traditional side-by-side installations  
(i.e. two wine columns) or instances where  
appliances are installed less than 6-inches  
(152 mm) apart from one another but not connected  
side-by-side. This kit is recommended for areas  
that are subject to high humidity or located  
next to an outside wall.

These warranties give you specific legal rights and you may have other rights that vary from state to state. Limited warranty from date of delivery. For complete warranty details, refer to your Use & Care manual, or ask your dealer.

Specifications are for planning purposes only. Refer to installation instructions and consult your countertop supplier prior to making counter opening. Consult with a heating and ventilation engineer for your specific ventilation requirements. For the most detailed information, refer to installation instructions accompanying product or write to Thermador indicating the model number. Specifications are correct at time of printing. Thermador reserves the right to change product specifications or design without notice. Some models are certified for use in Canada. Thermador is not responsible for products that are transported from the U.S. for use in Canada.