

DWHD771WFM

GLASS CARE CENTER 7 PROGRAM DISHWASHER

MASTERPIECE® SERIES HANDLE



Also Available In:

DWHD771WFP – Flat Stainless Steel Panel with Professional Series Handle

DWHD771WPR – Custom Panel

FEATURES & BENEFITS

- ★ - Revolutionary lower rack designed specifically to accommodate all of your glassware. With a tine-less configuration to maximize capacity for wine glasses, cocktail glasses and more, it offers peace of mind while you wash even the most delicate items
- ★ - Peace of mind with our no-slip, soft rubber racks holding your most delicate glassware during the wash and dry cycle
- ★ - Star Speed® is a full wash cycle in just 20 minutes — industry's fastest hot water wash
 - Push to Open dishwasher opens with either a push or pull, so loading is easier, even when your hands are full
- ★ - Large Glassware Capacity allows you to wash up to twenty-six 12 oz wine glasses — or even more smaller ones — at once, while customizable enough to handle all types of glassware
- ★ - Mixed Use Top Rack — Wash all of your other dishware while providing an all new cutlery caddy to clean your entertaining tools
 - Thermador Connected Experience by Home Connect brings exclusive dish features that keep you connected. Always.

ACCESSORIES (OPTIONAL)

| | |
|---|------------|
| Dishwasher Supply and Drainage Hose Extension 76 3/4" | SGZ1010UC |
| Dishwasher Accessory Kit | SMZ5000 |
| Fine Silverware Carafe | SMZ5002UC |
| Junction Box | SMZPCJB1UC |



Accessory Kit includes Extra-Tall-Item Sprinkler, Vase / Bottle Holder, 3 Plastic Item Clips and Small Item Basket

Fine Silverware Carafe

GENERAL PROPERTIES

| | |
|---------------------------------|-----------------------|
| Number Of Wash Cycles | 7 |
| Number Of Options | 7 |
| NSF®-Certified* Sanitize Option | Yes |
| dBA | 44 |
| Third Rack | N/A |
| Rack Adjustability | Rackmatic 3-Stage |
| Tub Material | Stainless Steel |
| Control Type | Premium Touch Control |
| Concealed Water Heating Element | Yes |
| Leak Protection System | 24/7 AquaStop® |
| Water Softener | Yes |
| Five-Level Wash | Yes |
| Childlock | No |
| Home Connect (Wi-Fi Enabled) | Yes |

EFFICIENCY

| | |
|---------------------------------------|---------|
| Water Usage Per Cycle (g) | 3.5 g |
| Energy Efficiency Class | Tier 1 |
| ENERGY STAR® Certified | Yes |
| Total Annual Energy Consumption (kWh) | 269 kWh |
| Total Annual Water Consumption (g) | 623.5 g |

CAPACITY

| | |
|--------------------------|---|
| Number Of Place Settings | 8 |
|--------------------------|---|

TECHNICAL DETAILS

| | |
|---|---------------------------|
| Watts (W) | 1440 W |
| Current (A) | 12 A |
| Volts (V) | 120 V |
| Frequency (Hz) | 60 Hz |
| Power Cord Length (in) | 67" |
| Power Cord Install Length from Corner of Unit when Facing the Door (in)** | Left - 45" Right - 56" |
| Minimum Water Pressure (lb/sin) | 14 |
| Max. Temperature for Water Intake | 140° F |
| Length Inlet Hose (in) | N/A |
| Length Outlet Hose (in) | 79" |

DIMENSIONS & WEIGHT

| | |
|---|-----------------------------------|
| Overall Appliance Dimensions (HxWxD) (in) | 33 7/8" x 23 9/16" x 23 3/4" |
| Required Cutout Size (HxWxD) (in) | 33 7/8" Min. x 23 5/8" Min. x 24" |
| Adjustable Feet | Yes |
| Net Weight (lbs) | 95 lbs |

*Certification to NSF/ANSI Standard 184 for residential dishwashers

**September 2020 running production change to remove adhesive routing clips for power cord. These clips and the edge protector are now included in the dishwasher accessory kit #SMZEPCC1UC.

DWHD771WFM

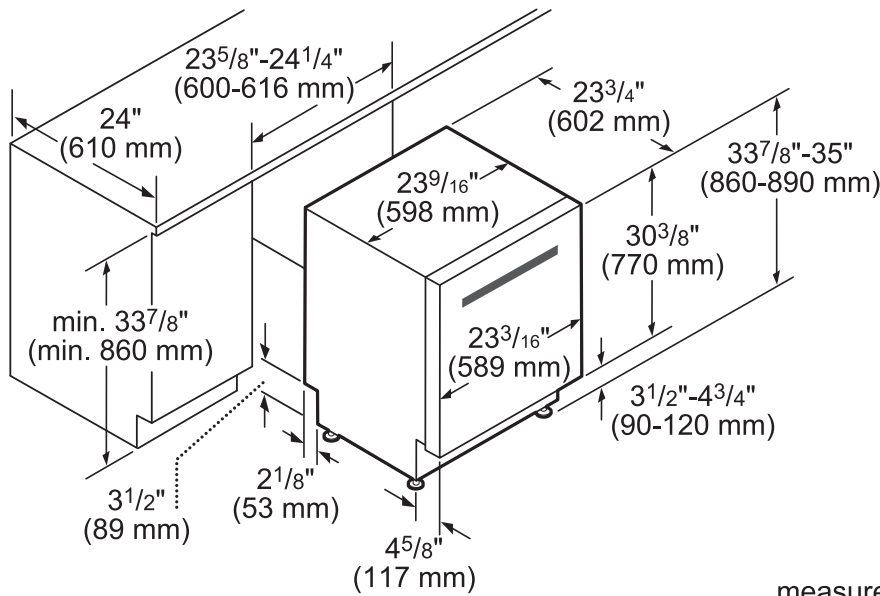
GLASS CARE CENTER 7 PROGRAM DISHWASHER

MASTERPIECE® SERIES HANDLE



| WARRANTY | |
|---|-----------------|
| Limited Warranty, Entire Appliance, Parts and Labor | 2 Year |
| Limited Warranty for Microprocessor or Printed Circuit Board; Parts Only | 3rd to 5th Year |
| Limited Warranty for Racks (Does Not Include Rack Components); Parts Only | 3rd to 5th Year |
| Limited Warranty for Rust-through On Inner Tub Liner; Parts Only | Lifetime |

DISHWASHER & CUTOUT DIMENSIONS



measurements in inches and mm

These warranties give you specific legal rights and you may have other rights that vary from state to state. Full warranty and limited warranty from date of installation. For complete warranty details, refer to your Use & Care manual, or ask your dealer.

Specifications are for planning purposes only. Refer to installation instructions and consult your countertop supplier prior to making counter opening. Consult with a heating and ventilation engineer for your specific ventilation requirements. For the most detailed information, refer to installation instructions accompanying product or write to Thermador indicating the model number. Specifications are correct at time of printing. Thermador reserves the right to change product specifications or design without notice. Some models are certified for use in Canada. Thermador is not responsible for products that are transported from the U.S. for use in Canada.