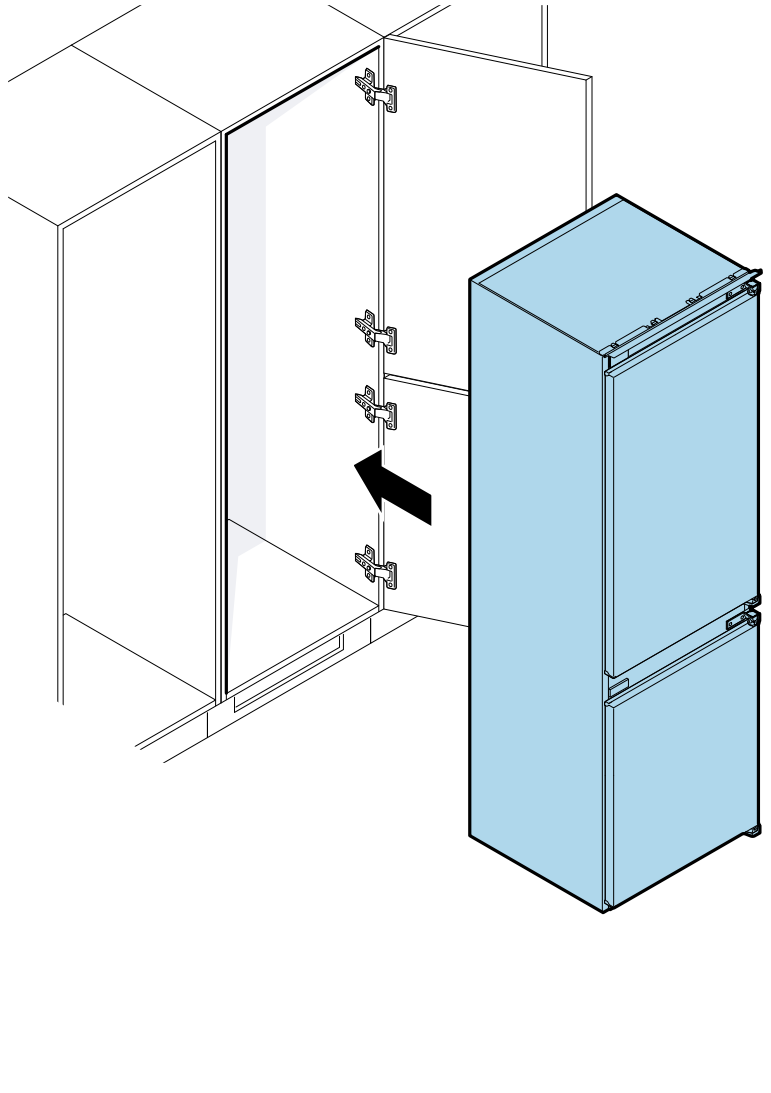
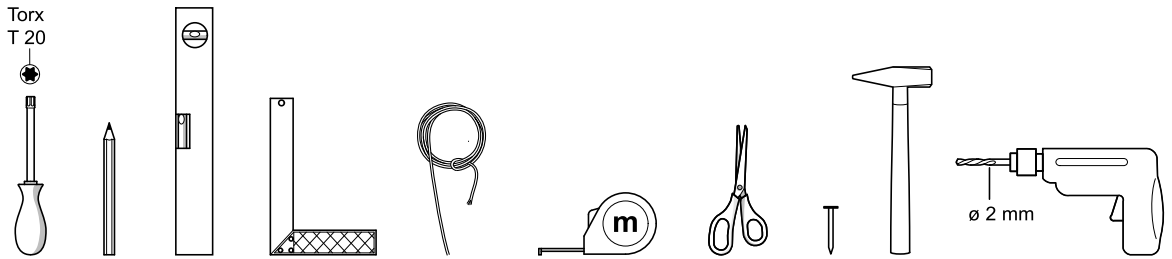
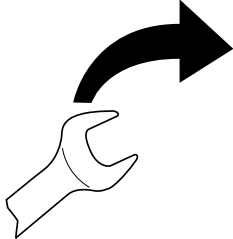
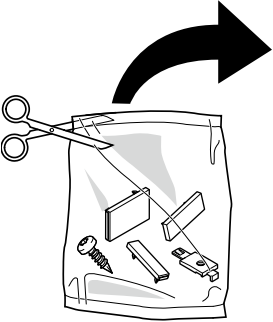
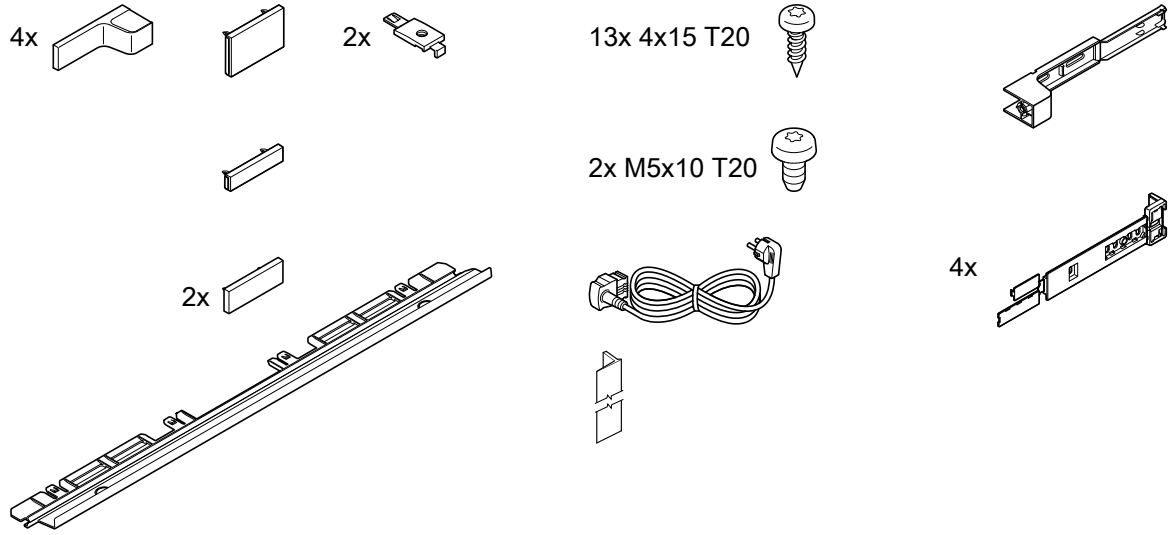


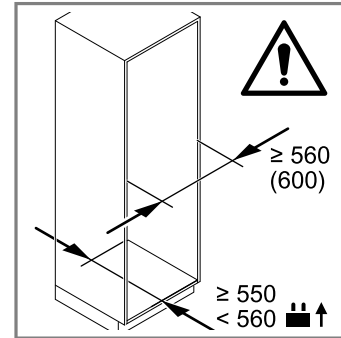
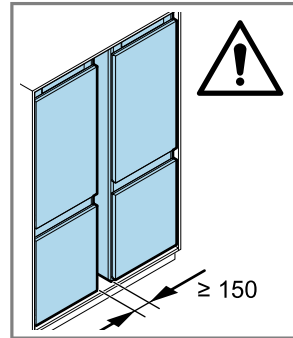
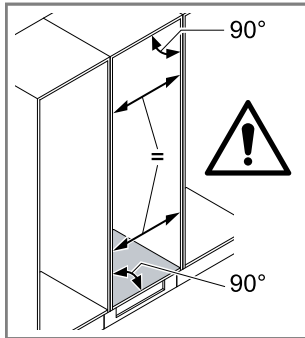
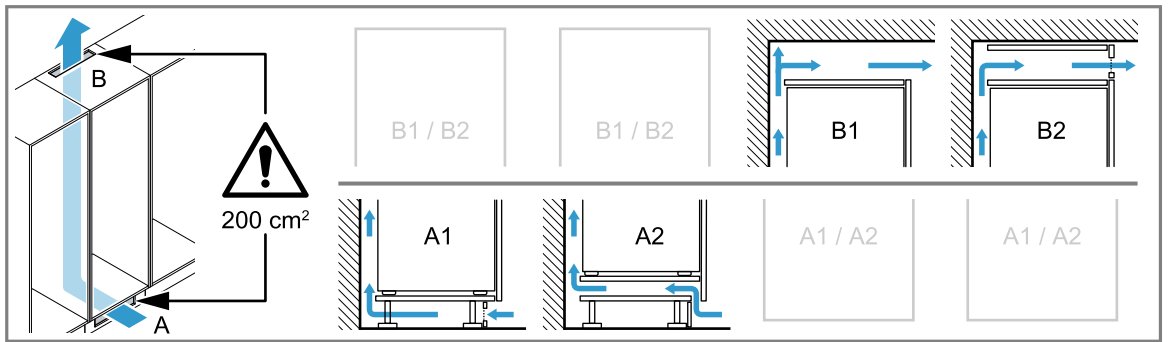
9001985534 (041128)

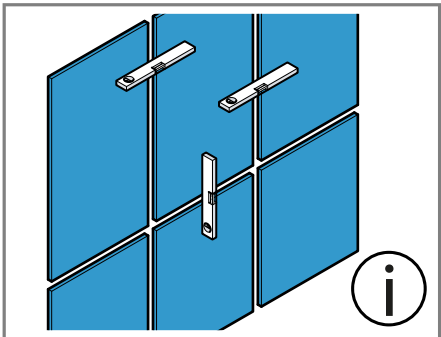
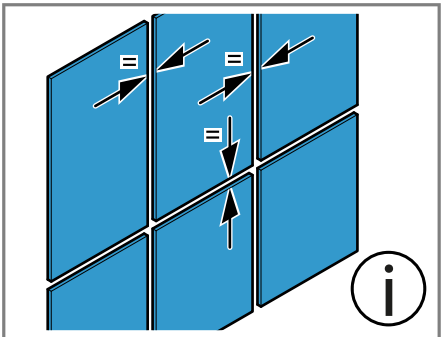
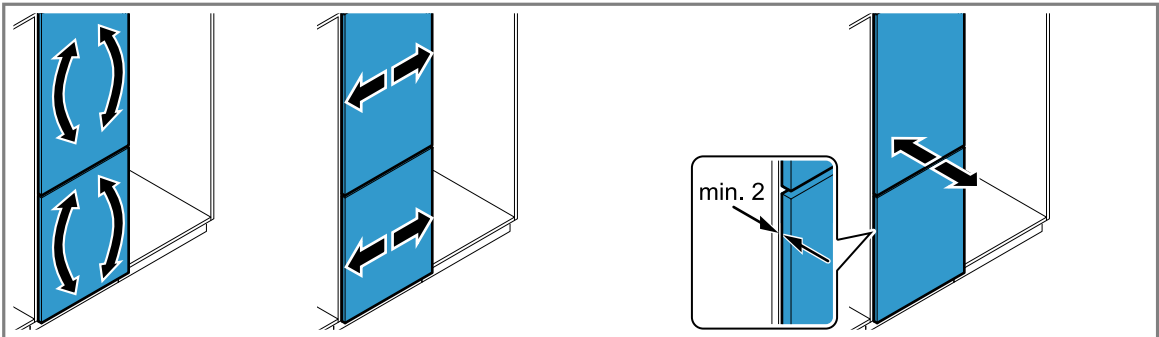
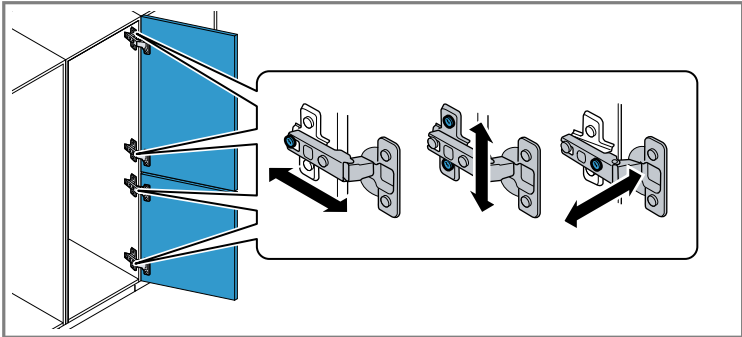


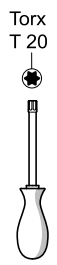
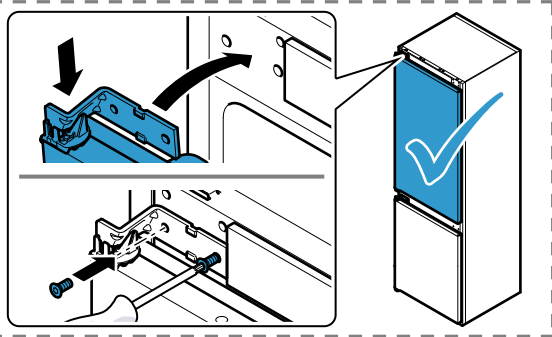
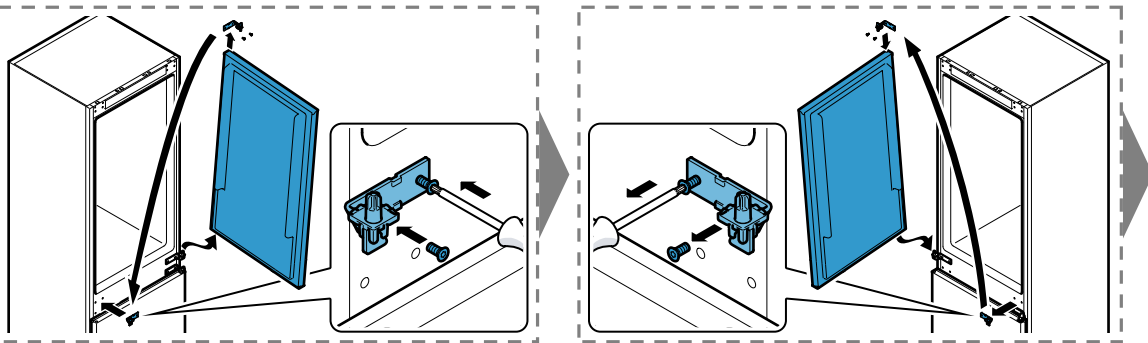
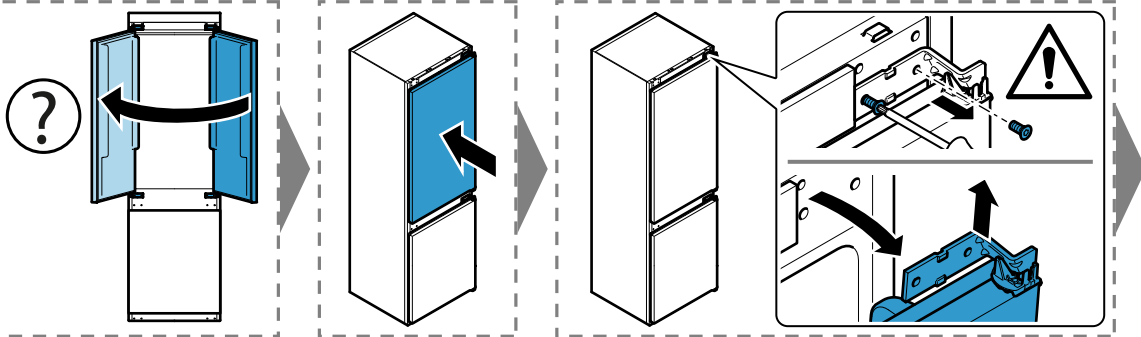
mm

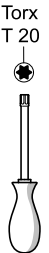
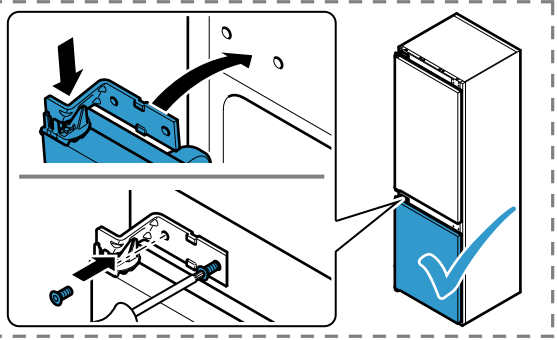
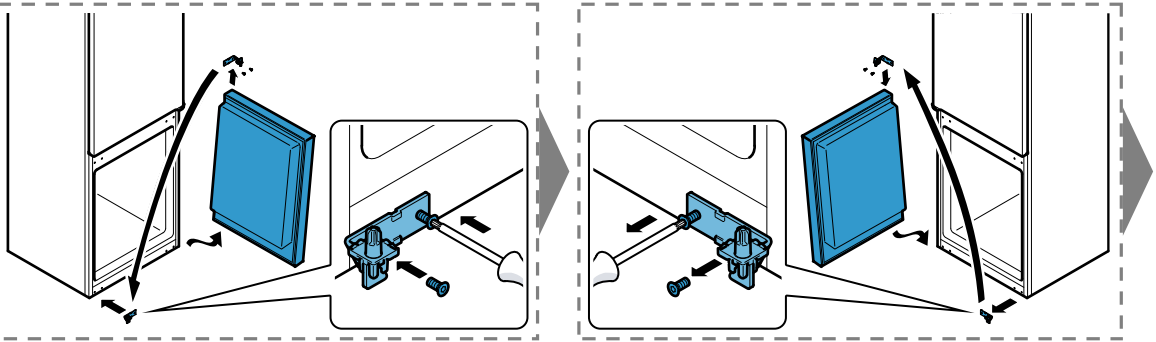
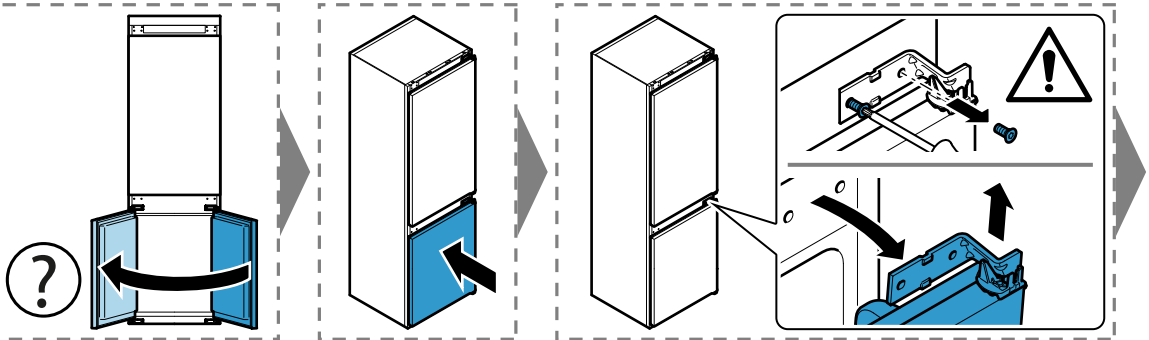








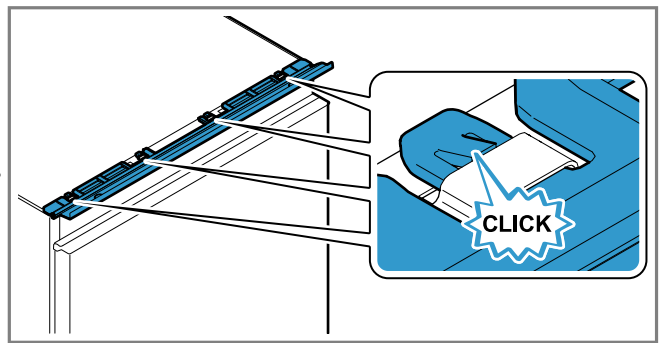
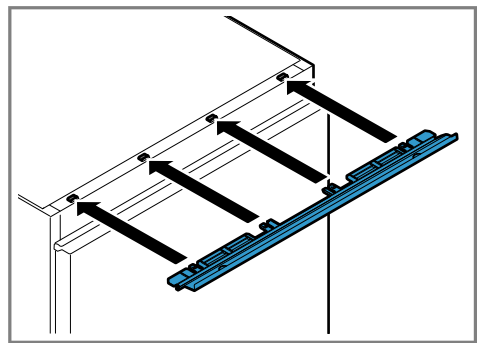
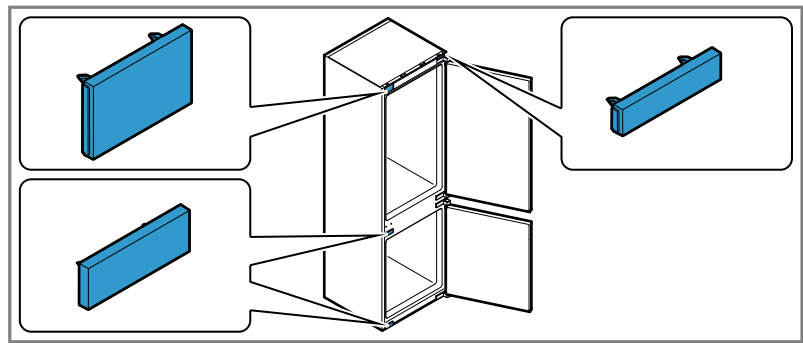
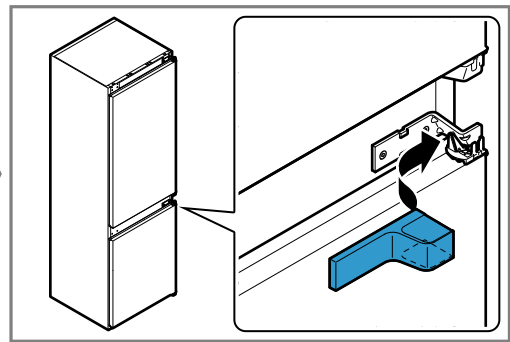
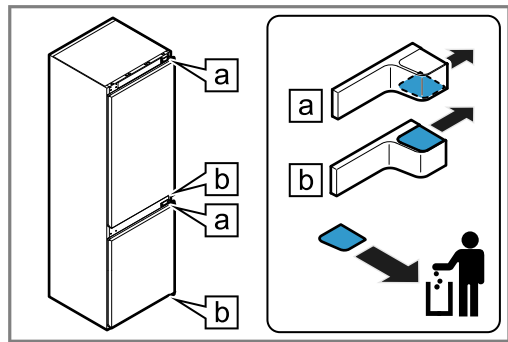
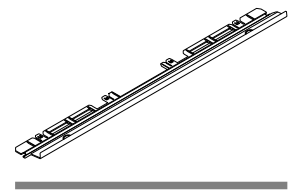


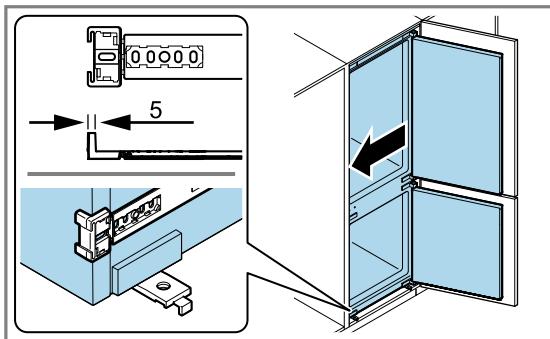
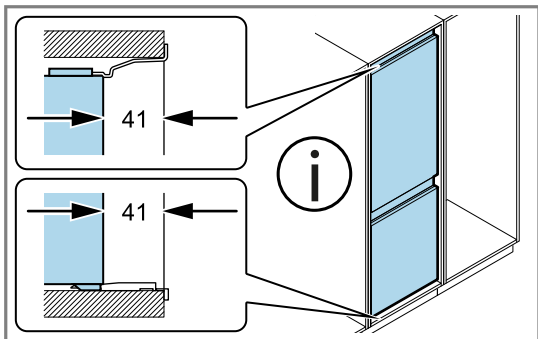
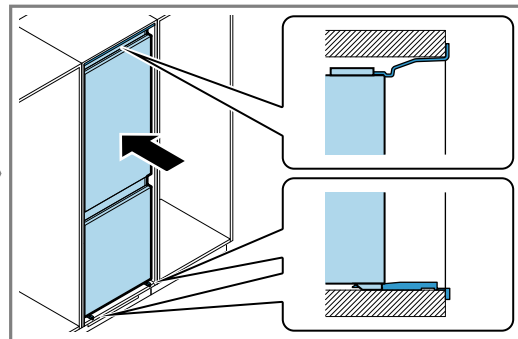
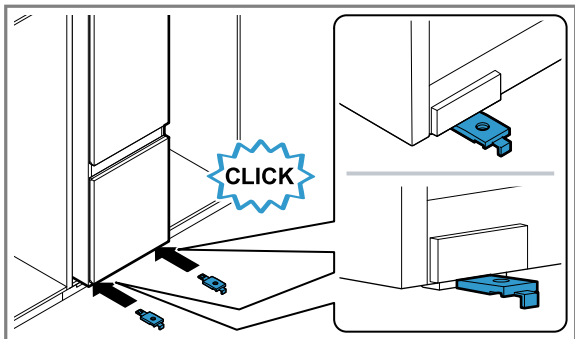
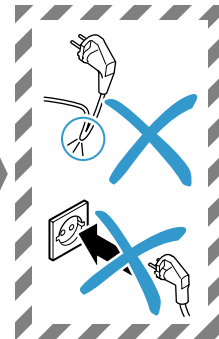
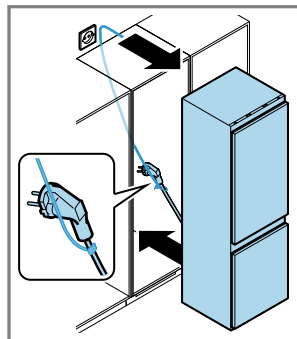
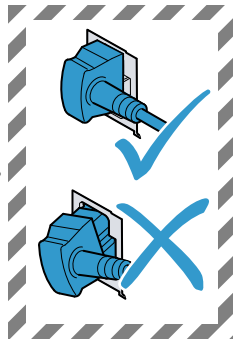
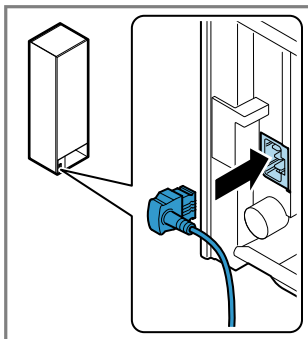
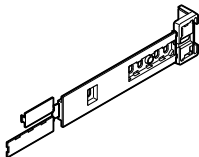
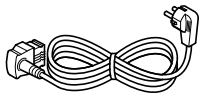


4x



2x





2x

CLICK



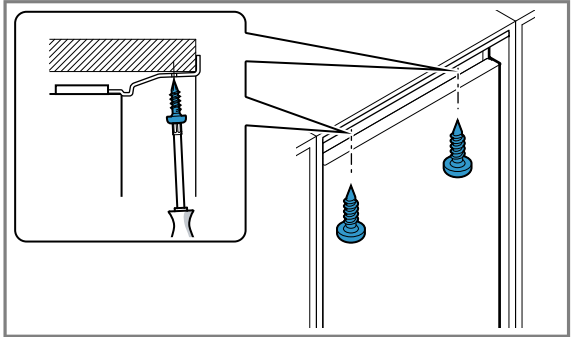
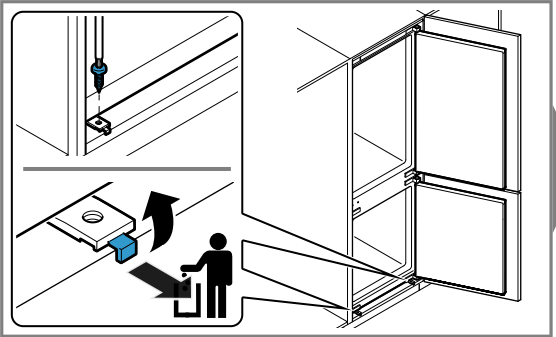
41

41

00000

5

4x



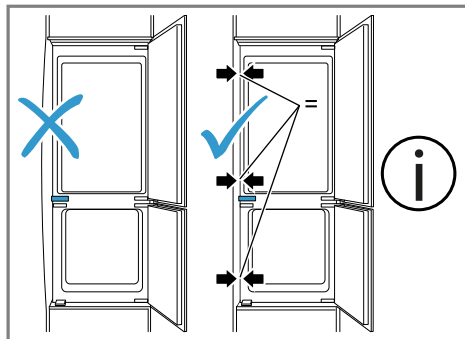
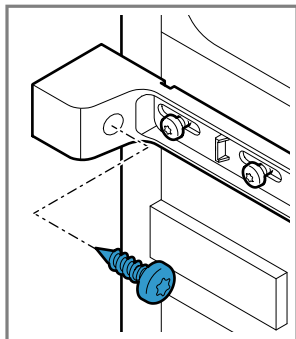
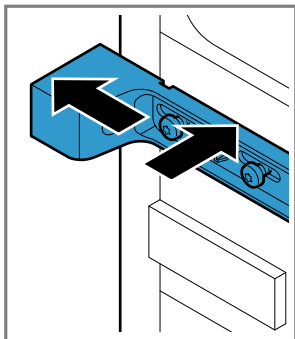
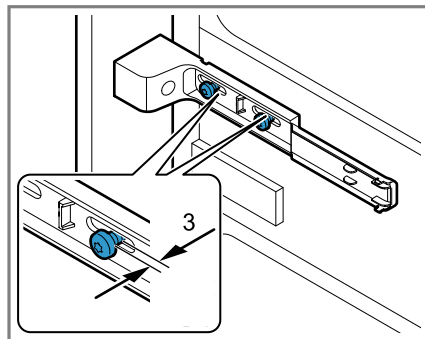
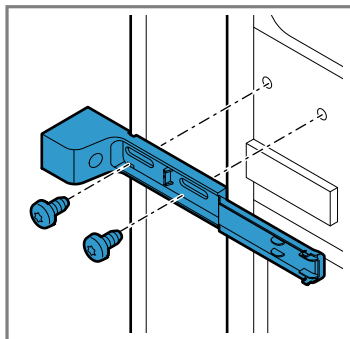
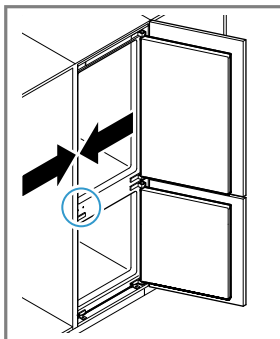
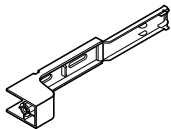
Torx

T 20

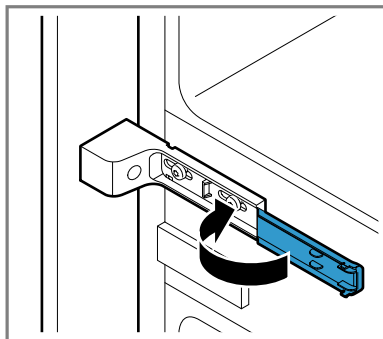
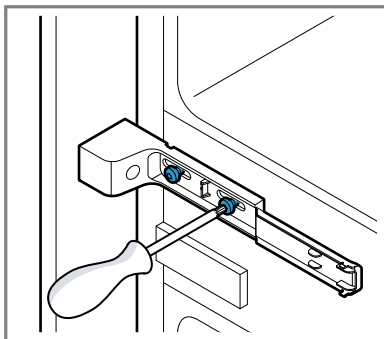


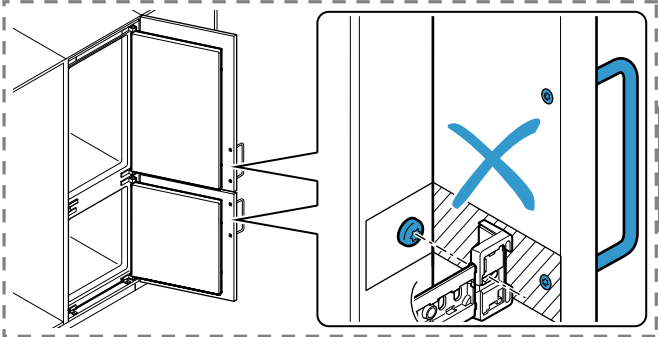
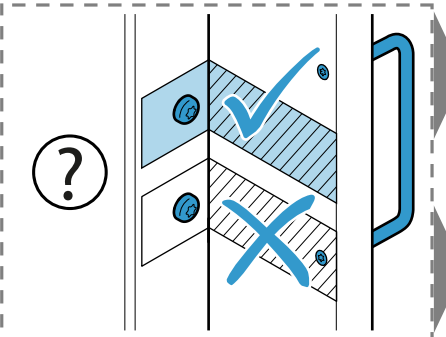
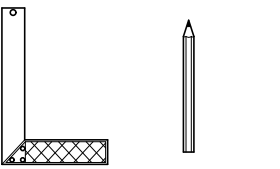
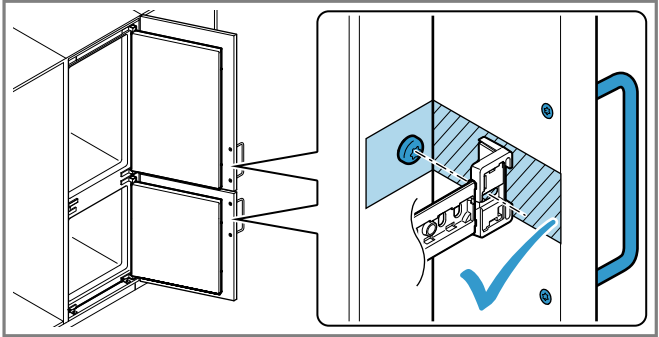
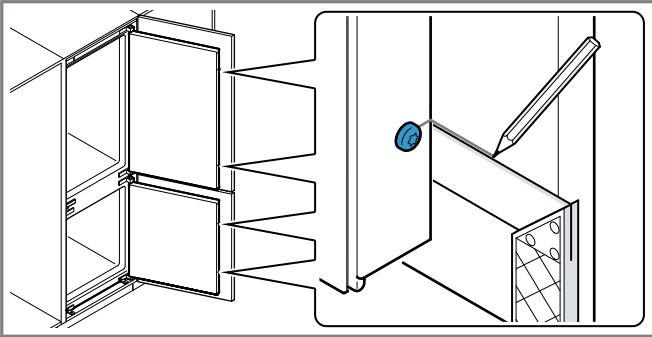
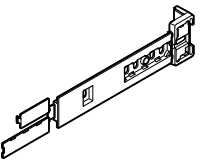


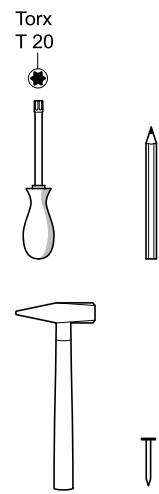
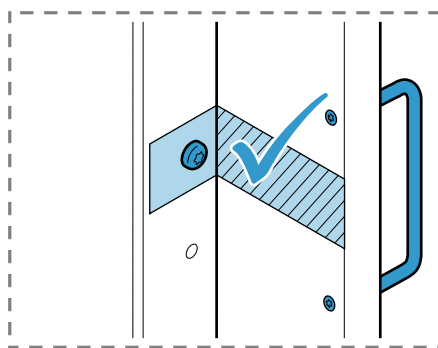
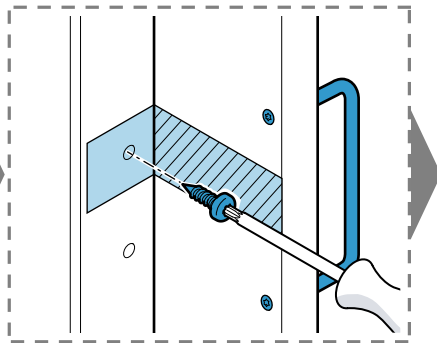
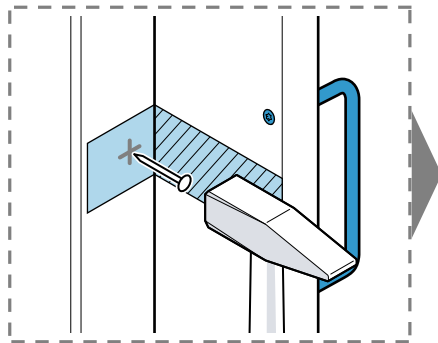
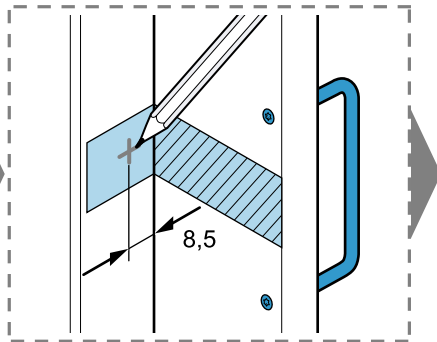
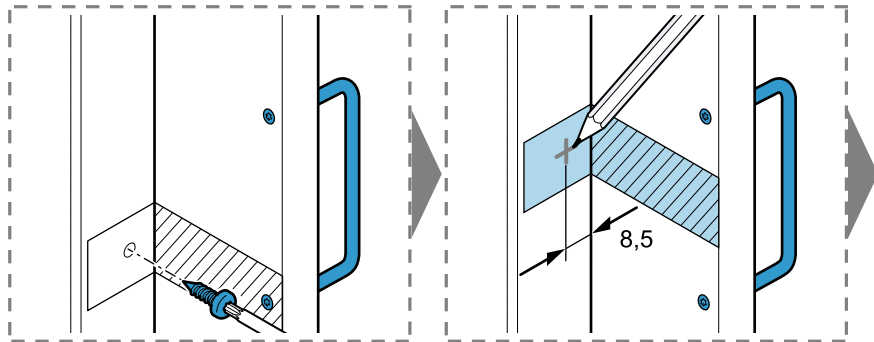
2x



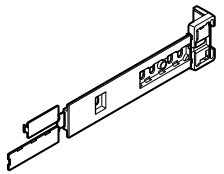
Torx
T 20



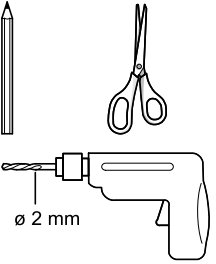
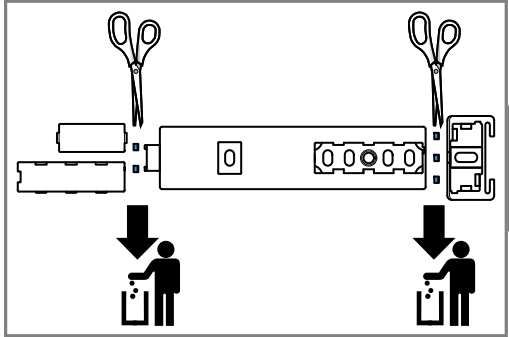
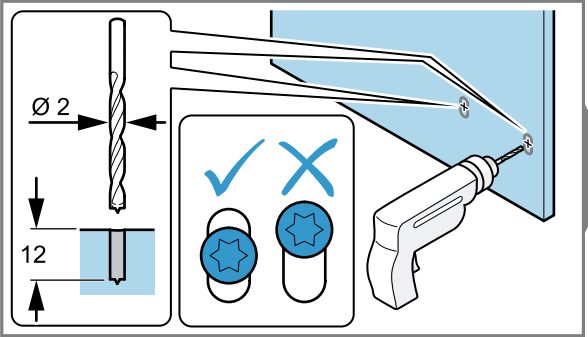
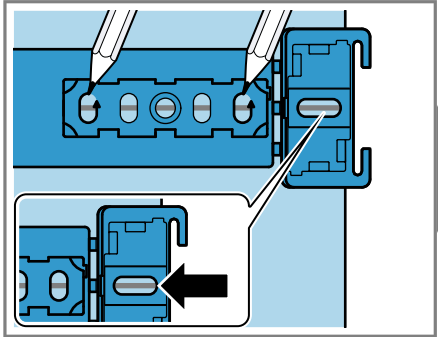
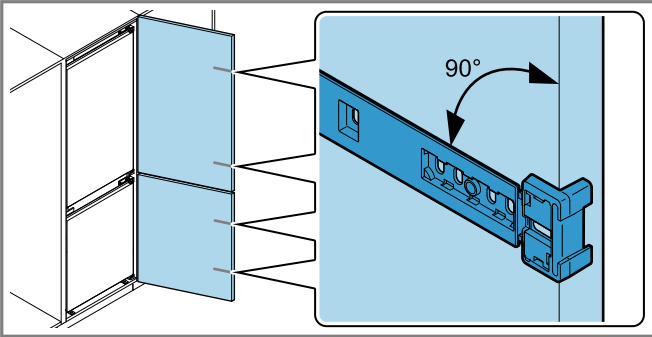




4x

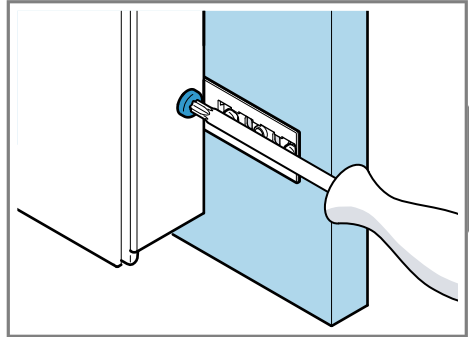
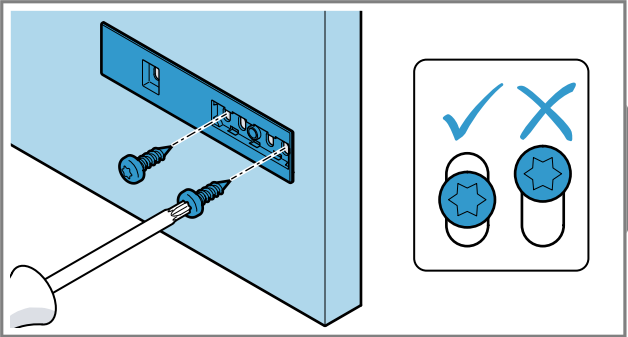


8x

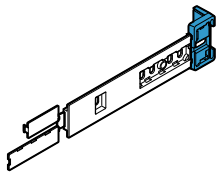


ø 2 mm

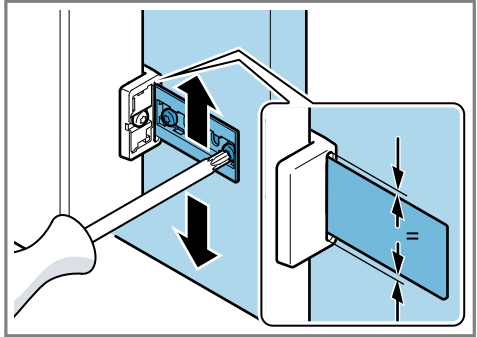
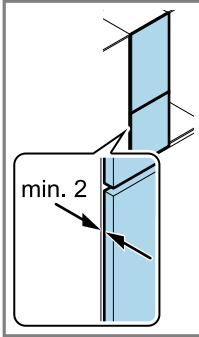
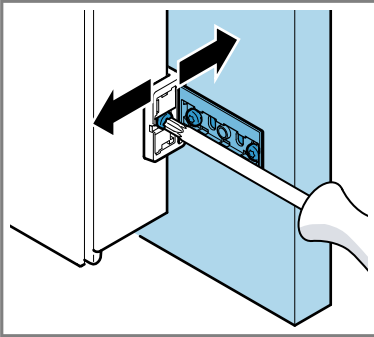
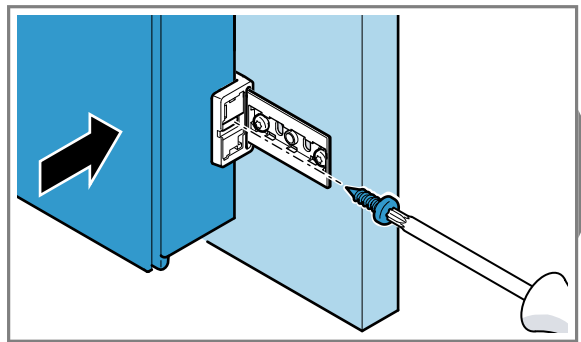
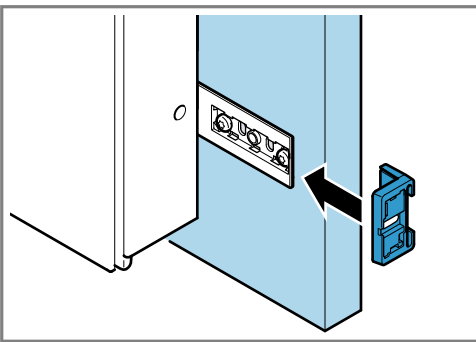
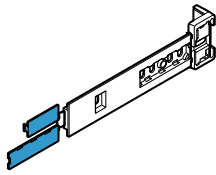
Torx
T 20



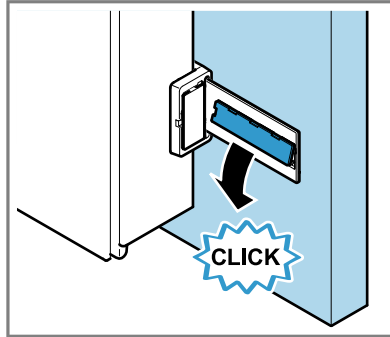
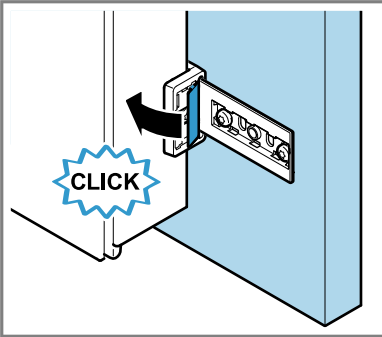
4x

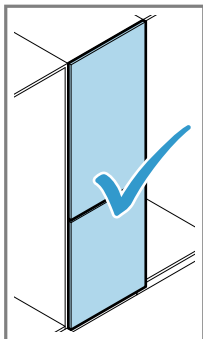
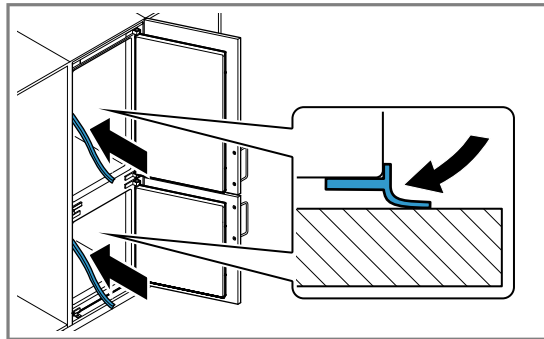
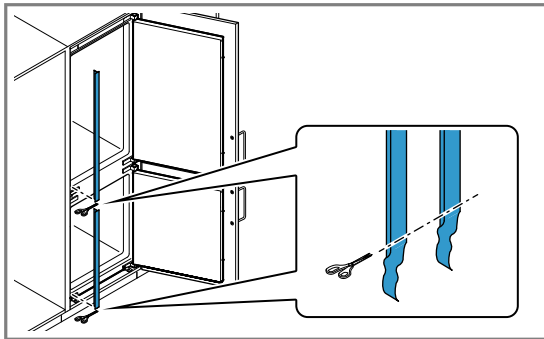


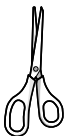
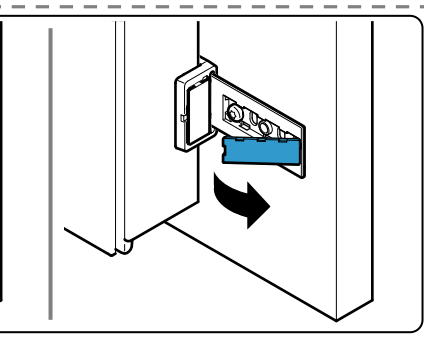
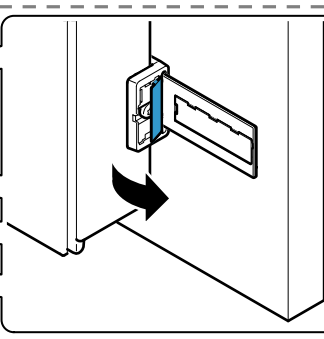
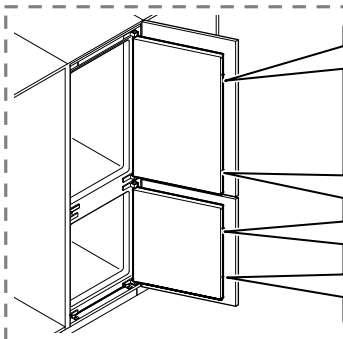
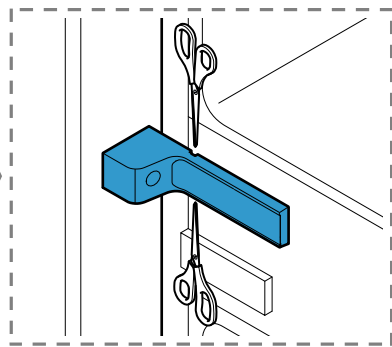
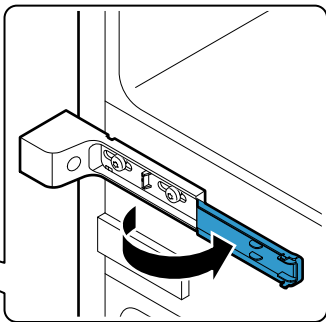
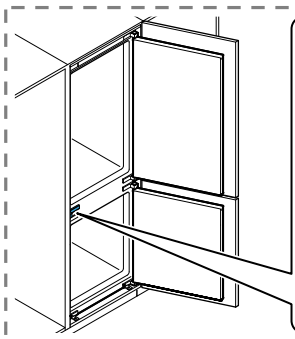
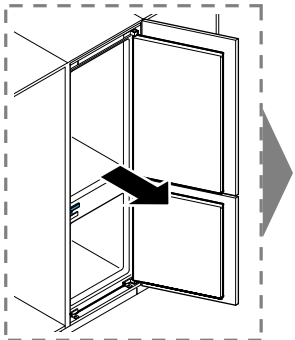
4x

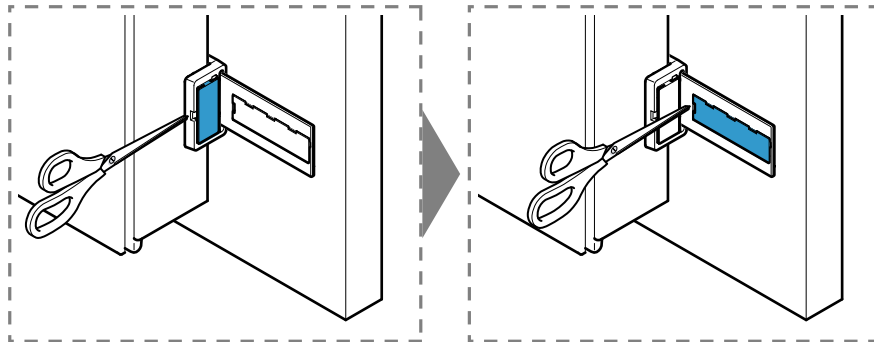


Torx
T 20











A series of horizontal lines for writing, starting from a vertical margin line on the left and extending across the page.

