



BOSCH

Register your
appliance and join
the Bosch
family of perks:
[bosch-home.com/us/
mybosch](https://bosch-home.com/us/mybosch)



Hood

HUI54452UC

[en-us] Use and Care Manual	Hood	2
[fr-ca] Manuel d'utilisation	Hotte	14
[es-mx] Manual del usuario	Campana	29

Table of contents

1 IMPORTANT SAFETY INSTRUCTIONS.....	3
1.1 Safety definitions.....	3
1.2 General information.....	3
1.3 Safe use.....	3
1.4 Child safety	5
1.5 Proper installation and maintenance	6
1.6 State of California Proposition 65 Warnings	6
2 Preventing material damage	7
3 Environmental protection and energy-saving	7
3.1 Disposal of packaging	7
3.2 Saving energy	7
4 Operating modes	7
4.1 Exhaust-air mode.....	7
4.2 Air recirculation mode	7
5 Familiarizing yourself with your appliance	8
5.1 Appliance	8
5.2 Controls	8
5.3 Basic Operation	9
6 Cleaning and maintenance.....	9
6.1 Cleaning agents.....	9
6.2 Cleaning the appliance.....	10
6.3 Removing grease filter	10
6.4 Fitting the grease filters.....	10
6.5 Optional odor filter replacement	10
7 Troubleshooting.....	11
8 Accessories.....	11
9 Disposal.....	11
9.1 Disposal of your old appliance	11
10 Customer Service	11
10.1 Model number (E-Nr.) and production number (FD)	11
10.2 Rating plate location.....	12
11 STATEMENT OF LIMITED PRODUCT WARRANTY	12
11.1 What this warranty covers & Who it applies to.....	12
11.2 How long the warranty lasts	12
11.3 Repair/replace as your exclusive remedy.....	12
11.4 Out of warranty product.....	13
11.5 Warranty exclusions.....	13
11.6 Obtaining warranty service.....	13
11.7 Product information	13



IMPORTANT SAFETY INSTRUCTIONS

READ AND SAVE THESE INSTRUCTIONS

Read all of the instructions carefully before using the appliance. In order to reduce the risk of fire, electric shocks and personal injuries when using the appliance, follow the basic safety precautions, including the following safety instructions.

1.1 Safety definitions

Here you can find explanations of the safety signal words used in this manual.

WARNING

This indicates that death or serious injuries may occur as a result of non-observance of this warning.

CAUTION

This indicates that minor or moderate injuries may occur as a result of non-observance of this warning.

NOTICE:

This indicates that damage to the appliance or property may occur as a result of non-compliance with this advisory.

Note: This alerts you to important information and/or tips.

1.2 General information

Here you can find general information about this manual.

- Please read this manual carefully.
- Observe the safety instructions and warnings.
- Keep the manual and the product information in a safe place for future reference or for the next owner.
- Check the appliance for damage after unpacking it. Do not connect the appliance if it has been damaged in transit.

This appliance is intended for use up to a maximum height of 6,560 feet (2000 meters) above sea level.

1.3 Safe use

WARNING

When properly cared for, your new appliance has been designed to be safe and reliable.

- ▶ Read all instructions carefully before use. These precautions will reduce the risk of burns, electric shock, fire, and injury to persons.
- ▶ When using kitchen appliances, basic safety precautions must be followed, including those in the following pages.

CAUTION

For General Ventilating Use Only.

- ▶ Do Not Use To Exhaust Hazardous Or Explosive Materials And Vapors.

WARNING

TO REDUCE THE RISK OF A RANGE TOP GREASE FIRE

- ▶ Never Leave Surface Units Unattended at High Settings - Boilovers cause smoking and greasy spillovers that may ignite. Heat oils slowly on low or medium settings.
- ▶ Always turn hood ON when cooking at high heat.
- ▶ Clean ventilating fans frequently. Grease should not be allowed to accumulate on fan or filter.
- ▶ Use proper pan size. Always use cookware appropriate for the size of the surface element.
- ▶ Do not flambé food (i.e. Crepes Suzette, Cherries Jubilee, Peppercorn Beef Flambé) under the extractor hood or work with a naked flame. When switched on, the extractor hood draws flames into the filter. There is a risk of fire due to deposits on the grease filter!.
A fire could occur during cooking.
- ▶ Always have a working smoke detector near the kitchen.

▶ Have an appropriate fire extinguisher available, nearby, highly visible and easily accessible near the appliance. In the event that personal clothing or hair catches fire, drop and roll immediately to extinguish flames.

Do Not Use Water on Grease Fires.

- ▶ Smother fire or flame or use dry chemical or foam-type extinguisher.

There is a risk of fire, if cleaning is not carried out in accordance with the instructions in the section on cleaning and maintenance → *Page 9*. Grease deposits in the grease filter can ignite.

- ▶ Clean the grease filter at least every two months or more often if necessary.
- ▶ Never operate the appliance without the grease filter. Grease deposits in the grease filter can catch fire.
- ▶ Never work with a naked flame near the appliance (e.g. flambéing).
- ▶ Install the unit near a heat-producing appliance for solid fuels (e.g. wood or coal) only if there is a closed, non-detachable cover. There must be no flying sparks.



IMPORTANT SAFETY INSTRUCTIONS

READ AND SAVE THESE INSTRUCTIONS

When gas burners are in operation without any cookware placed on them, they can build up a lot of heat. A ventilation appliance installed above the cooktop may become damaged or catch fire.

- ▶ Only operate the gas burners with cookware on them. During simultaneous use of multiple gas burners, a great deal of heat is created. A ventilation device located above it can become damaged or catch fire.
- ▶ Never use two gas burners together at maximum heat for longer than 15 minutes.
- ▶ One large burner with over 17,000 BTU/hr (5 kW) (wok) is equal to the wattage of two gas burners.

Operating several gas burners at the same time gives rise to a great deal of heat. The ventilation appliance may become damaged or catch fire.

- ▶ The ventilation appliance must only be combined with gas burners that do not exceed the maximum total output of 61,000 BTU/hr (18 kW). If 41,000 BTU/hr (12 kW) is exceeded, the local regulations concerning room ventilation, room size, and combination with ventilation devices in exhaust and recirculating operation must be followed.

Hot oil and fat catch fire fast.

- ▶ Never leave hot oil and fat unsupervised.
- ▶ Never extinguish a fire with water.
- ▶ Switch off the cooking position.
- ▶ Suffocate flames carefully with a lid, a fire blanket or similar.

WARNING

The accessible parts get hot during operation.

- ▶ Never touch hot parts.
- ▶ Keep children away.

Be sure the entire appliance (including the grease filters and light bulbs, if applicable) has cooled and grease has solidified before attempting to clean any part of the appliance.

WARNING

Do not operate any extractor hood with a damaged cord or plug.

- ▶ Discard fan or return to an authorized service facility for examination and/or repair.

Do not run cord under carpeting.

- ▶ Do not cover cord with throw rugs, runners, or similar coverings.
- ▶ Do not route cord under furniture or appliances.
- ▶ Arrange cord away from traffic area and where it will not be tripped over.

WARNING

Items placed on the appliance may fall down.

- ▶ Do not place any objects on the appliance. Storage in or on Appliance - The use of corrosive chemicals in heating or cleaning will damage the appliance and could result in injury.
- ▶ Flammable materials, corrosive chemicals, vapors or non-food products should not be stored or used in an oven or on or near surface units.
- ▶ The appliance is specifically designed for use when heating or cooking food.

This appliance is intended for normal family household use only. It is not approved for outdoor use. See the Statement of Limited Product Warranty. If you have any questions, contact the manufacturer.

WARNING

TO REDUCE THE RISK OF INJURY TO PERSONS IN THE EVENT OF A RANGE TOP GREASE FIRE, OBSERVE THE FOLLOWING.^a

- ▶ SMOTHER FLAMES with a close-fitting lid, cookie sheet, or metal tray, then turn off the burner. BE CAREFUL TO PREVENT BURNS. If the flames do not go out immediately, EVACUATE AND CALL THE FIRE DEPARTMENT.
 - ▶ NEVER PICK UP A FLAMING PAN – You may be burned.
 - ▶ DO NOT USE WATER, including wet dishcloths or towels – a violent steam explosion will result.
 - ▶ Use an extinguisher ONLY if:
 - You know you have a Class ABC extinguisher, and you already know how to operate it.
 - The fire is small and contained in the area where it started.
 - The fire department is being called.
 - You can fight the fire with your back to an exit.
- ^aBased on "Kitchen Fire Safety Tips" published by NFPA.

WARNING

Flames can be drawn into the ventilation system.

- ▶ Whenever possible, do not operate the ventilation system during a cooktop fire. However, do not reach through fire to turn it off.

WARNING

The light emitted by LED lights is very dazzling, and can damage the eyes.

- ▶ Do not look directly into the switched-on LED lights for longer than 100 seconds.



IMPORTANT SAFETY INSTRUCTIONS

READ AND SAVE THESE INSTRUCTIONS

WARNING

Moisture intrusion may cause an electric shock.

- ▶ Do not use any steam cleaners or high-pressure cleaners to clean the appliance.

WARNING

TO REDUCE THE RISK OF FIRE, ELECTRIC SHOCK, OR INJURY TO PERSONS, OBSERVE THE FOLLOWING:

- ▶ Use this unit only in the manner intended by the manufacturer. If you have questions, contact the manufacturer.
→ "Customer Service", Page 11
- ▶ Before servicing or cleaning unit, switch power off at service panel and lock the service disconnecting means to prevent power from being switched on accidentally. When the service disconnecting means cannot be locked, securely fasten a prominent warning device, such as a tag, to the service panel.

WARNING

To Reduce The Risk Of Fire Or Electric Shock, Do Not Use This Fan With Any Solid-State Speed Control Device.

WARNING

If the appliance or the power cord is damaged, this is dangerous.

- ▶ Never operate a damaged appliance.
- ▶ Never pull on the power cord to unplug the appliance. Always unplug the appliance at the power outlet.
- ▶ If the appliance or the power cord is damaged, immediately unplug the power cord or switch off the breaker in the circuit breaker box.
- ▶ Call Customer Service. → Page 11

WARNING

While cooking food items, small amounts of certain by-products, such as particulate matter / soot, can be released. To minimize exposure to these substances:

- ▶ Always ensure proper ventilation by using an appropriate ventilation fan or hood vented to the outside and/or an open window.
- ▶ Always operate the unit according to the instructions in this manual.

WARNING

Overheated materials can cause fire or burns and may produce potentially harmful smoke or fumes.

- ▶ To prevent overheating, turn ventilation hood ON when heating grease, fats or frying using medium to high heat settings.
- ▶ Avoid heating empty pots and pans.
- ▶ Do not allow pans to boil dry.
- ▶ Do not allow aluminum foil, plastic, paper, or cloth to come in contact with a hot surface element, burner, or grate.

WARNING

Never leave the cooktop unattended when in use. Unattended cooking on a cooktop with fat or oil can be dangerous and may result in a fire. Boilovers cause smoking, and greasy spillovers may ignite.

1.4 Child safety

This appliance is not intended for use by persons (including children) with reduced physical, sensory or mental capabilities, or lack of experience and knowledge, unless they have been given supervision or instruction concerning use of the appliance by a person responsible for their safety.

When children become old enough to use the appliance, it is the responsibility of the parents or legal guardians to ensure that they are instructed in safe practices by qualified persons.

Children should be supervised to ensure that they do not play with the appliance.

WARNING

Do not allow children to use this appliance unless closely supervised by an adult.

- ▶ Children and pets should not be left alone or unattended in the area where the appliance is in use. They should never be allowed to play in its vicinity, whether or not the appliance is in use.

Do not allow anyone to climb, stand, lean, sit, or hang on any part of an appliance.

CAUTION

Do not store items of interest to children in cabinets above an appliance or on the backguard of an appliance. Children climbing on the appliance to reach items could be seriously injured.



IMPORTANT SAFETY INSTRUCTIONS

READ AND SAVE THESE INSTRUCTIONS

WARNING

Remove all tape and packaging before using the appliance.

- ▶ Destroy the packaging after unpacking the appliance.
- ▶ Dispose of packaging in an environmentally responsible manner.
- ▶ Never allow children to play with packaging material.

1.5 Proper installation and maintenance

WARNING

In the event of a malfunction, it might become necessary to turn off the power supply.

- ▶ Have the installer show you the circuit breaker or fuse. Mark it for easy reference.

To avoid electrical shock hazard, before servicing the appliance, turn power off at the service panel and lock the panel to prevent the power from being switched on accidentally.

Proper Installation - Improper installation or grounding can cause electric shock.

- ▶ This appliance must be properly installed and grounded by a qualified technician.
- ▶ Connect only to properly grounded outlet.
- ▶ Refer to installation instructions for details.

User Servicing - Do not repair or replace any part of the appliance unless specifically recommended in this manual.

- ▶ Improper installation, service or maintenance can cause injury or property damage.
- ▶ Refer to this manual for guidance.
- ▶ All other servicing should be referred to an authorized service provider.

WARNING

Hidden surfaces may have sharp edges.

- ▶ Use caution when reaching behind or under appliance.

WARNING

Malfunctions can cause injuries.

- ▶ Do not operate this appliance if it is not working properly, or if it has been damaged. Contact an authorized service provider.

WARNING

There shall be adequate ventilation of the room when the range hood is used at the same time as appliances burning gas or other fuels.

- ▶ Safe operation is possible provided that the under pressure in the room where the burner is installed does not exceed 4 Pa (0.04 mbar).
- ▶ This can be achieved if combustion air can flow through non-lockable openings, e.g. in doors, windows and via the air-intake/exhaust-air wall box or by other technical measures, such as reciprocal interlocking, etc.

CAUTION

Grease left on filters can remelt and move into the vent.

WARNING

Avoid carbon monoxide poisoning – Provide adequate air intake so combustion gases are not drawn back into the room. An air-intake/exhaust-air wall box by itself is no guarantee that the limiting value will not be exceeded.

- ▶ Note: When assessing the overall requirement, the combined ventilation system for the entire household must be taken into consideration. This rule does not apply to the use of cooking appliances, such as cooktops and ovens.

WARNING

To reduce the risk of fire, electric shock or injury to persons, do not use replacement parts that have not been recommended by the manufacturer (e.g. parts made at home using a 3D printer).

1.6 State of California Proposition 65 Warnings

This product may contain a chemical known to the State of California, which can cause cancer or reproductive harm. Therefore, the packaging of your product may bear the following label as required by California:

STATE OF CALIFORNIA PROPOSITION 65 WARNING:

 **WARNING**

Cancer and Reproductive Harm - www.P65Warnings.ca.gov

2 Preventing material damage

NOTICE:

Condensation may cause corrosion damage.

- ▶ To prevent condensation from building up, switch on the appliance during cooking.

If moisture gets into the controls, this may result in damage.

- ▶ Never clean controls with a wet cloth.

Incorrect cleaning damages the surfaces.

- ▶ Follow the cleaning instructions.
- ▶ Do not use harsh or abrasive cleaning agents.
- ▶ Clean stainless steel surfaces in the grain direction only.
- ▶ Never clean controls with stainless steel cleaners.

Condensation that flows back in may damage the appliance.

- ▶ To prevent condensate from returning, fit the exhaust air pipe with a 1° gradient from the appliance.

There is a risk of surface damage if you do not peel off the protective film.

- ▶ Remove the protective film from all parts of the appliance before using for the first time.

3 Environmental protection and energy-saving

3.1 Disposal of packaging

The packaging materials are environmentally compatible and can be recycled.

- ▶ Sort the individual components by type and dispose of them separately.

3.2 Saving energy

If you follow these instructions, your appliance will use less power.

Clean or replace the filters at the specified intervals, or as frequently as needed.

- ✓ The effectiveness of the filters is retained.

Switch off the lighting if you no longer require it.

- ✓ When the lighting is switched off, it does not consume any energy.

Put the cooking lid on.

- ✓ The cooking vapors and condensation are reduced.

Only use the additional functions if required.

- ✓ Switching off additional functions reduces power consumption.

4 Operating modes

You can use your appliance in exhaust air mode or circulating air mode.

4.1 Exhaust-air mode

The air that is drawn in is cleaned by the grease filters and conducted to the outside via a duct system.



The air must not be discharged into a flue that is used for exhaust fumes from appliances burning gas or other fuels (not applicable for recirculation appliances).

- If the exhaust air is to be conducted into a non-functioning smoke or exhaust gas flue, you must obtain the consent of the responsible area heating inspector.
- If the exhaust air is conducted through the outer wall, a telescopic wall box should be used.

4.2 Air recirculation mode

The air which is drawn in is cleaned by the grease filters and an odor filter, and conveyed back into the room.



To bind odors in air recirculation mode, you must install an odor filter. The different options for operating the appliance in air recirculation mode can be found in our catalog. Alternatively, ask your dealer. The required accessories are available from specialist retailers, from Customer Service, or from the online shop.

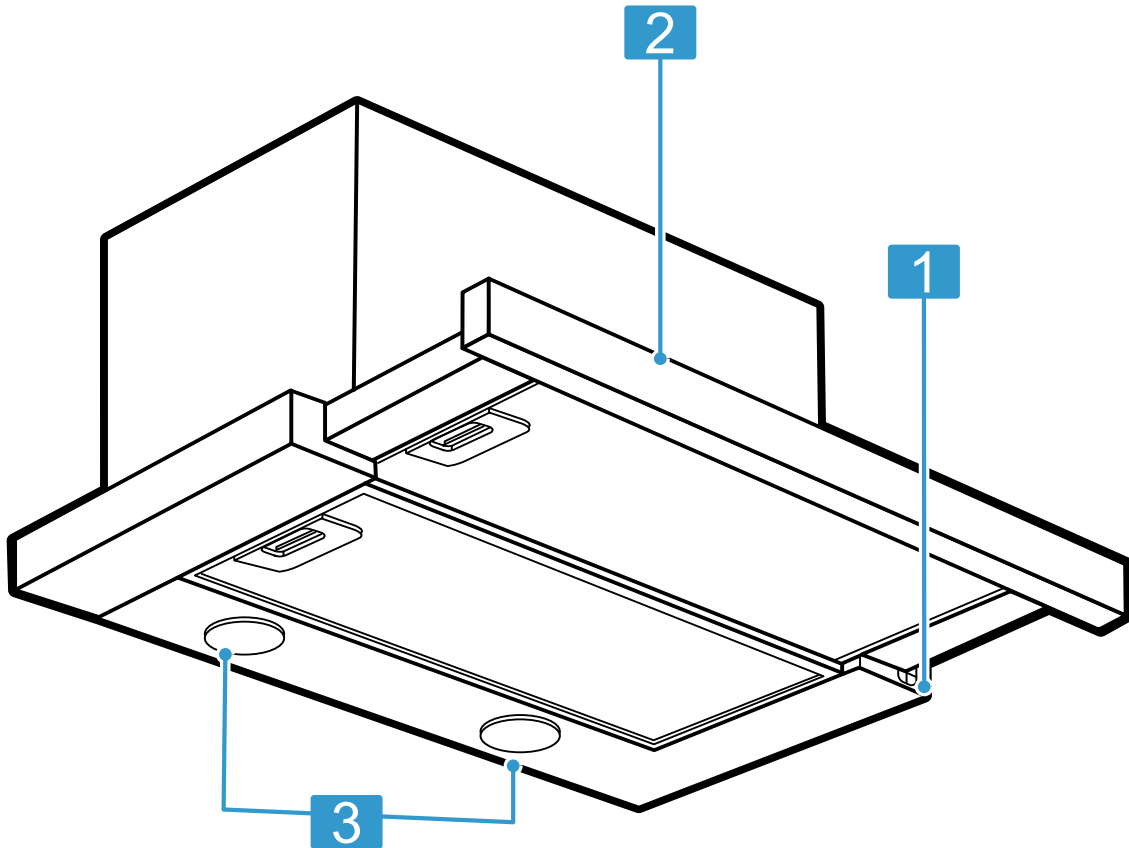
→ "Accessories", Page 11

When used in recirculation mode, To Reduce the Risk of Fire and Shock, use only Charcoal filter Model HVREC5UC.

5 Familiarizing yourself with your appliance

5.1 Appliance

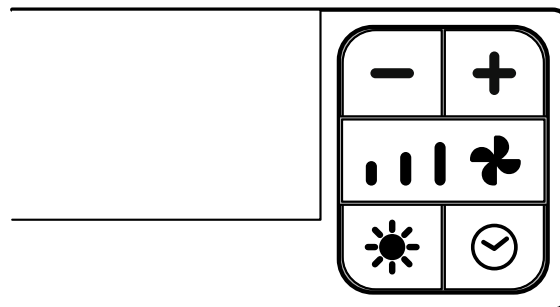
Here you can find an overview of the parts of your appliance.



- | | |
|---|-----------------|
| 1 | LED lights |
| 2 | Filter pull-out |
| 3 | Control panel |

5.2 Controls

You can use the control panel to configure all functions of your appliance and to obtain information about the operating status.



-	Turn the fan down
---	-------------------

+	Turn the fan up
☀	Switch on lighting
⌚	Fan run-on

5.3 Basic Operation

Filter pull-out

Pulling out the filter drawer

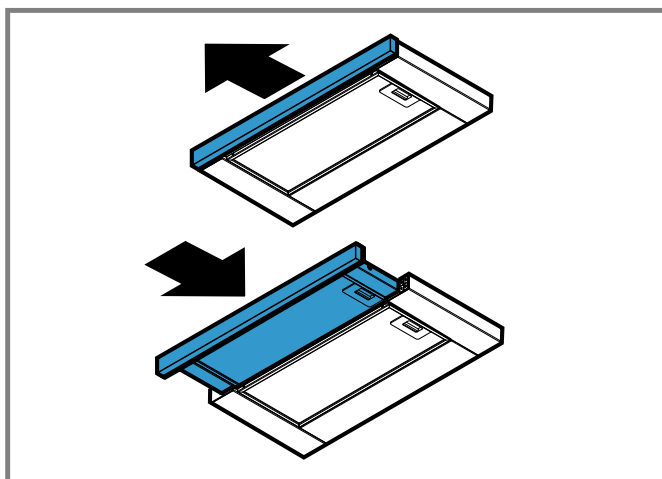
Note: The appliance starts with the functions that were set when the drawer was closed.

- ▶ Hold the filter drawer by the middle and pull it out.
- ✓ The control panel is accessible and the appliance is ready for operation.

Pushing the filter drawer in

Note: The ventilation is switched off when the drawer is closed, the light stays on.

- ▶ Hold the filter drawer by the middle and push it in.



Turn on the fan

Note: Always adjust the fan strength to meet current conditions. If there is a large build-up of steam or fumes, select a high fan setting.

1. Press +.
- ✓ The current ventilator settings are indicated by a bar on the display panel.
2. Press + or – to change the ventilator settings.

Turn off the fan

- ▶ Press – repeatedly until the ventilator switches off.

Switching on intensive mode

For especially strong odor or vapor, use the intensive mode.

- ▶ Press + while the appliance is at ventilation setting 3.
- ✓ ✨ is displayed.
- ✓ After 5 minutes, the electronics automatically turn the appliance down to ventilation setting 2.

Switching off intensive mode

- ▶ Press – until the required setting is reached.

Switching on lighting

The lighting can be switched on and off independently of the ventilation.

- ▶ Press ☀.

Saturation notification

The saturation of the metal grease filter or of the active carbon filter is indicated on the display panel.

- Grease filter: Ventilator setting 3 and intensive setting blink in alternation.
- Odor filter: Ventilator setting 3 and intensive setting blink simultaneously.

If you have not yet done so, the metal mesh grease filters should be cleaned or the activated carbon filter changed now.

For instructions on how to clean the metal grease filters, refer to the section

→ "Cleaning and maintenance", Page 9.

Resetting the saturation displays

- ▶ Press and hold ⌚.

Switching over the display for circulating-air mode

For circulating-air mode, the electronic control display must be switched over accordingly:

Requirement: The extractor hood must be connected and switched off.

1. Press + and – simultaneously until ventilator settings 1 and 2 light up briefly on the display panel.
2. To switch the electronic control display back to exhaust air mode repeatedly press the button combination.
- ✓ Display ventilator setting 1 lights up briefly

6 Cleaning and maintenance

To keep your appliance working efficiently for a long time, it is important to clean and maintain it carefully.

6.1 Cleaning agents

You can obtain suitable cleaning products from Customer Service or the online shop.

NOTICE:

Unsuitable cleaning agents may damage the surfaces of the appliance.

- ▶ Do not use strong or abrasive cleaning agents.
- ▶ Do not use cleaning agents with a high alcohol content.
- ▶ Do not use hard scouring pads or cleaning sponges.
- ▶ Only use glass cleaners, glass scrapers or stainless steel care products if recommended in the cleaning instructions for the relevant part.
- ▶ Wash sponge cloths thoroughly before use.

6.2 Cleaning the appliance

Clean the appliance as specified. This will ensure that the different parts and surfaces of the appliance are not damaged by incorrect cleaning or unsuitable cleaning products.

⚠ WARNING

Highly caustic alkaline or highly acidic cleaning agents in conjunction with aluminum parts in the interior of the appliance may cause explosions.

- ▶ Never use highly caustic alkaline or highly acidic cleaning agents. In particular, do not use commercial or industrial cleaning agents in conjunction with aluminum parts, e.g. grease filter on extractor hoods.

⚠ WARNING

Moisture intrusion may cause an electric shock.

- ▶ Before cleaning, pull out the power plug or switch off the circuit breaker in the circuit breaker box.
- ▶ Do not use any steam cleaners or high-pressure cleaners to clean the appliance.

⚠ WARNING

The appliance becomes hot during operation.

- ▶ Allow the appliance to cool down before cleaning.

⚠ WARNING

Components inside the appliance may have sharp edges.

- ▶ Clean the appliance interior carefully.

1. Observe the information regarding the cleaning agents.
2. Clean as follows, depending on the surface:
 - Clean stainless steel surfaces in the direction of the finish using a sponge cloth and hot soapy water.
 - Clean painted surfaces using a damp sponge cloth and hot soapy water.
 - Clean aluminum using a soft cloth and glass cleaner.
 - Clean plastic using a soft cloth and glass cleaner.
 - Clean glass using a soft cloth and glass cleaner.
3. Dry with a soft cloth.
4. Apply a thin layer of the stainless steel cleaning product to stainless steel surfaces using a soft cloth.

You can obtain stainless steel cleaning products from customer service or the online shop.

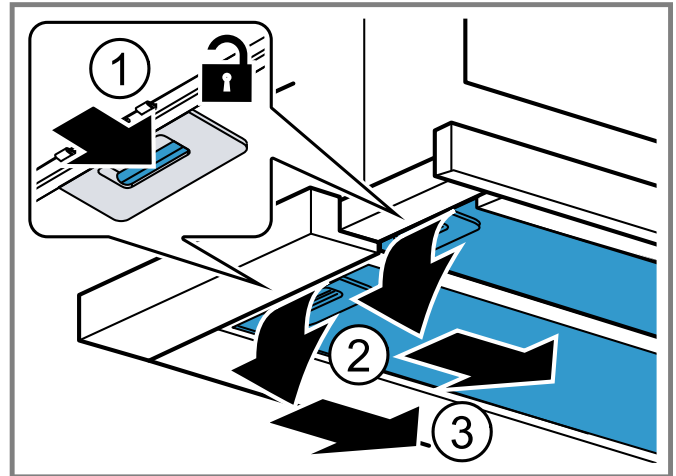
6.3 Removing grease filter

1. **NOTICE:** Falling grease filters may damage the cooktop below.
 - ▶ Grip below the grease filter with one hand.

Open the lock and fold down the grease filter. While doing this, place your other hand under the grease filter.

2. **Note:** Grease can accumulate in the bottom of the grease filter. Do not hold the grease filter at an angle, otherwise grease will drip out.

Take the grease filter out of the holder.



3. Clean the filter.
4. After removing the filters, carefully clean the inside of the appliance.

6.4 Fitting the grease filters

NOTICE:

Falling grease filters may damage the cooktop below.

- ▶ Grip below the grease filter with one hand.

1. Insert the grease filters.
2. Fold the grease filters upwards and engage the locks.
3. Ensure that the locks engage.

6.5 Optional odor filter replacement

For more information about the odor filter see installation instructions.

- The odor filter cannot be cleaned. It must be replaced every 4-6 months, depending on hood usage.
- Do not rinse or put the odor filter in an automatic dishwasher.

7 Troubleshooting

You can eliminate minor issues on your appliance yourself. Please read the information on eliminating issues before contacting Customer Service. This may avoid unnecessary repair visits.

WARNING

Improper repairs are dangerous.

- ▶ Repairs to the appliance should only be performed by authorized service providers.

- ▶ If the power cord of this appliance becomes damaged, it must be replaced by the manufacturer, the manufacturer's Customer Service, or an authorized service provider in order to prevent injury.
- ▶ Only original spare parts may be used to repair the appliance.
- ▶ If the appliance has an issue, call Customer Service.

Issue	Cause and troubleshooting
The appliance is not working.	The plug for the power cord is not plugged in. <ul style="list-style-type: none"> ▶ Connect the appliance to the power supply.
	The circuit breaker in the circuit breaker panel has tripped. <ul style="list-style-type: none"> ▶ Check the breaker panel.
	There has been a power failure. <ul style="list-style-type: none"> ▶ Check whether the lighting in your kitchen or other appliances in the room are working.
The LED lighting does not work.	Various causes are possible. <ul style="list-style-type: none"> ▶ Burnt out LED lights may be replaced by the appliance manufacturer, their Customer Service or a qualified technician (electrician) only. ▶ Call → "Customer Service", Page 11.

8 Accessories

Accessories are available from Customer Service, specialist retailers or online. You should only use original accessories as they are specially designed for your appliance.

Accessories are appliance-specific. When purchasing, always check for compatibility with your appliance model number (E no.). → Page 11

You can find out which accessory is available for your appliance in our catalog, the online shop or the Customer Service.

www.bosch-home.com

Accessories	Order number
Odor filter	HVREC5UC

9 Disposal

9.1 Disposal of your old appliance

Environmentally compatible disposal allows valuable raw materials to be recycled.

1. Unplug the appliance from the power supply.
2. Cut through the power cord.
3. Dispose of the appliance in an environmentally responsible manner.

Information about current disposal methods can be obtained from your specialist dealer or local authority.

10 Customer Service

With any warranty repair, we will make sure your appliance is repaired by an authorized service provider using genuine replacement parts. We use only genuine replacement parts for all repairs.

Detailed information on the warranty period and terms of warranty can be found in the Statement of Limited Product Warranty, from your retailer, or on our website.

If you contact Customer Service, you will need the model number (E-Nr.) and the production number (FD) of your appliance.

The LED light sources are available as a spare part and should only be replaced by an authorized service provider.

USA:

1-800-944-2904

www.bosch-home.com/us/owner-support/get-support

www.bosch-home.com/us/shop

CA:

1-800-944-2904

www.bosch-home.ca/en/service/get-support

www.bosch-home.ca/en/service/cleaners-and-accessories

10.1 Model number (E-Nr.) and production number (FD)

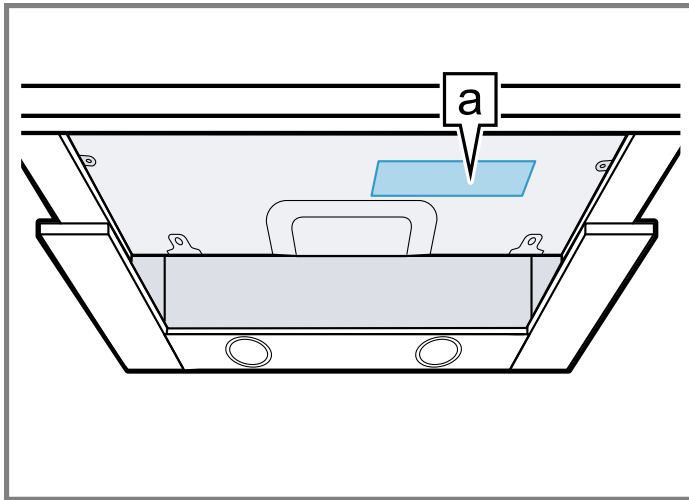
You can find the model number (E-Nr.) and the production number (FD) on the appliance's rating plate.

Making a note of your appliance's details and the Customer Service telephone number will enable you to find them again quickly.

10.2 Rating plate location

You can find the rating plate of your appliance:

- Inside the appliance (remove grease filters for access).



a Rating plate

11 STATEMENT OF LIMITED PRODUCT WARRANTY

11.1 What this warranty covers & Who it applies to

The limited warranty provided by BSH Home Appliances ("Bosch") in this Statement of Limited Product Warranty applies only to the Bosch appliance sold to you ("Product"), provided that the Product was purchased:

- For your normal, household (non-commercial) use, and has in fact at all times only been used for normal household purposes.
- New at retail from a BSH authorized dealer or directly from BSH (not a display, "as is", or previously returned model), and not for resale, or commercial use.
- Within the United States or Canada, and has at all times remained within the country of original purchase.

The warranties stated herein apply to the original purchaser of the product warranted herein and to each succeeding owner of the product purchased for ordinary home use during the term of the warranty.

Please make sure to register your Product; while not necessary to effectuate warranty coverage, it is the best way for Bosch to notify you in the unlikely event of a safety notice or product recall.

11.2 How long the warranty lasts

Bosch warrants that the Product is free from defects in materials and workmanship for a period of three hundred and sixty-five (365) days from the date of the original delivery. The foregoing timeline begins to run upon the date of the original delivery, and shall not be stalled, tolled, extended, or suspended, for any reason whatsoever. This Product is also warranted to be free from **cosmetic**

defects in material and workmanship (such as scratches of stainless steel, paint/porcelain blemishes, chips, dents, or other damage to the finish) of the Product, for a period of thirty (30) days from the date of delivery or closing date for new construction. This **cosmetic** warranty excludes slight color variations due to inherent differences in painted and porcelain parts, as well as differences caused by kitchen lighting, product location, or other similar factors. This **cosmetic** warranty specifically excludes any display, floor, "As Is", or "B" stock appliances.

11.3 Repair/replace as your exclusive remedy

During this warranty period, Bosch or one of its authorized service providers will repair your Product without charge to you (subject to certain limitations stated herein) if your Product proves to have been manufactured with a defect in materials or workmanship. If reasonable attempts to repair the Product have been made without success, then Bosch will replace your Product (upgraded models may be available to you, in Bosch's sole discretion, for an additional charge). Nothing in this warranty requires damaged or defective parts to be replaced with parts of a different type or design than the original part. All removed parts and components shall become the property of Bosch at its sole option. All replaced and/or repaired parts shall assume the identity of the original part for purposes of this warranty and this warranty shall not be extended with respect to such parts. Bosch's sole liability and responsibility hereunder is to repair manufacturer-defective Product only, using a Bosch authorized service provider during normal business hours. For safety and property damage concerns, Bosch highly recommends that you do not attempt to repair the Product yourself, or use a non-authorized service provider; Bosch will have no responsibility or liability for damage resulting from repairs or work performed by a non-authorized service provider. Authorized service providers are those persons or companies that have been specially trained on Bosch products, and who possess, in Bosch's opinion, a superior reputation for customer service and technical ability (note that they are independent entities and are not agents, partners, affiliates or representatives of Bosch). Nevertheless, taking your product to be serviced by a repair shop that is not affiliated with or an authorized dealer of Bosch will not void this warranty. Also, using third-party parts will not void this warranty. Notwithstanding the foregoing, Bosch will not incur any liability, or have responsibility, for the Product if it is located in a remote area (more than 100 miles from an authorized service provider) or is reasonably inaccessible, hazardous, threatening, or treacherous locale, surroundings, or environment; in any such event, if you request, Bosch would still pay for labor and parts and ship the parts to the nearest authorized service provider, but you would still be fully liable and responsible for any travel time or other special charges by the service company, assuming they agree to make the service call. Further, to the extent you have installed the Product in a difficult-to-

access location or have otherwise installed temporary or permanent fixtures that create barriers to accessing or removing the Product, Bosch will not incur any liability for, or have responsibility, for work or costs associated with moving the Product or otherwise creating access to the Product in order to repair or replace it. All such costs shall be your sole responsibility.

11.4 Out of warranty product

Bosch is under no obligation, at law or otherwise, to provide you with any concessions, including repairs, prorates, or Product replacement, once this warranty has expired.

11.5 Warranty exclusions

The warranty coverage described herein excludes all defects or damage that are not the direct fault of Bosch, including without limitation, one or more of the following:

- Use of the Product in anything other than its normal, customary and intended manner (including without limitation, any form of commercial use, use or storage of an indoor product outdoors, use of the Product in conjunction with air or water-going vessels).
- Any party's willful misconduct, negligence, misuse, abuse, accidents, neglect, improper operation, failure to maintain, improper or negligent installation, tampering, failure to follow operating instructions, mishandling, unauthorized service (including selfperformed "fixing" or exploration of the appliance's internal workings).
- Adjustment, alteration or modification of any kind.
- A failure to comply with any applicable state, local, city, or county electrical, plumbing and/or building codes, regulations, or laws, including failure to install the product in strict conformity with local fire and building codes and regulations.
- Ordinary wear and tear, spills of food, liquid, grease accumulations, or other substances that accumulate on, in, or around the Product.
- Any external, elemental and/or environmental forces and factors, including without limitation, rain, wind, sand, floods, fires, mud slides, freezing temperatures, excessive moisture or extended exposure to humidity, lightning, power surges, structural failures surrounding the appliance, and acts of God.
- Service calls to correct the installation of your Product, to instruct you how to use your Product, to replace house fuses or correct house wiring or plumbing.
- Removal and replacement of trim or decorative panels that interfere with servicing the Product.
- Damage or defects caused by labor or parts installed by any non-authorized service provider, unless approved by Bosch before service is performed.

In no event shall Bosch have any liability or responsibility whatsoever for damage to surrounding property, including cabinetry, floors, ceilings, and other structures or objects around the Product. Also excluded from this warranty are Products, on which the serial numbers have been altered, defaced, or removed; service visits to teach you how to

use the Product, or visits where there is nothing wrong with the Product; correction of installation problems (you are solely responsible for any structure and setting for the Product, including all electrical, plumbing or other connecting facilities, for proper foundation/flooring, and for any alterations including without limitation cabinetry, walls, floors, shelving, etc.); and resetting of breakers or fuses. TO THE EXTENT ALLOWED BY LAW, THIS WARRANTY SETS OUT YOUR EXCLUSIVE REMEDIES WITH RESPECT TO PRODUCT, WHETHER THE CLAIM ARISES IN CONTRACT OR TORT (INCLUDING STRICT LIABILITY, OR NEGLIGENCE) OR OTHERWISE. THIS WARRANTY IS IN LIEU OF ALL OTHER WARRANTIES, WHETHER EXPRESS OR IMPLIED. ANY WARRANTY IMPLIED BY LAW, WHETHER FOR MERCHANTABILITY OR FITNESS FOR A PARTICULAR PURPOSE, OR OTHERWISE, SHALL BE EFFECTIVE ONLY FOR THE PERIOD THAT THIS EXPRESS LIMITED WARRANTY IS EFFECTIVE. IN NO EVENT WILL THE MANUFACTURER BE LIABLE FOR CONSEQUENTIAL, SPECIAL, INCIDENTAL, INDIRECT, "BUSINESS LOSS", AND/OR PUNITIVE DAMAGES, LOSSES, OR EXPENSES, INCLUDING WITHOUT LIMITATION TIME AWAY FROM WORK, HOTELS AND/OR RESTAURANT MEALS, REMODELLING EXPENSES IN EXCESS OF DIRECT DAMAGES WHICH ARE DEFINITELY CAUSED EXCLUSIVELY BY BOSCH, OR OTHERWISE. SOME STATES DO NOT ALLOW THE EXCLUSION OR LIMITATION OF INCIDENTAL OR CONSEQUENTIAL DAMAGES, AND SOME STATES DO NOT ALLOW LIMITATIONS ON HOW LONG AN IMPLIED WARRANTY LASTS, SO THE ABOVE EXCLUSIONS OR LIMITATIONS MAY NOT APPLY TO YOU. THIS WARRANTY GIVES YOU SPECIFIC LEGAL RIGHTS, AND YOU MAY ALSO HAVE OTHER RIGHTS WHICH VARY FROM STATE TO STATE.

No attempt to alter, modify or amend this warranty shall be effective unless authorized in writing by an officer of BSH.

11.6 Obtaining warranty service

To obtain warranty service for your product, you should contact Bosch Customer Support at 1-800-944-2904 to schedule a repair.

11.7 Product information

For handy reference, copy the information below from the rating plate. Keep your invoice and/or delivery documents for warranty validation.

Model number (E-Nr.)

Production number
(FD)

Date of delivery

Table des matières

1 IMPORTANTES CONSIGNES DE SÉCURITÉ	15
1.1 Définitions des termes de sécurité	15
1.2 Informations générales.....	15
1.3 Utilisation sécuritaire	15
1.4 Sécurité des enfants	18
1.5 Installation et entretien appropriés	18
1.6 Mises en garde conformément à la proposition 65 de l'État de Californie	19
2 Prévenir les dommages matériels	20
3 Protection de l'environnement et économies	20
3.1 Mise au rebut de l'emballage	20
3.2 Économiser de l'énergie.....	20
4 Modes de fonctionnement	20
4.1 Mode d'extraction d'air	20
4.2 Mode de recirculation de l'air.....	20
5 Description de l'appareil	21
5.1 Électroménager.....	21
5.2 Commandes.....	21
5.3 Opération de base	22
6 Nettoyage et entretien	23
6.1 Produits de nettoyage	23
6.2 Nettoyer l'appareil	23
6.3 Retrait du filtre à graisse	23
6.4 Montage des filtres à graisse	23
6.5 Remplacement du filtre anti-odeurs en option	24
7 Dépannage	25
8 Accessoires.....	25
9 Élimination	25
9.1 Éliminer un appareil usagé.....	25
10 Service à la clientèle.....	25
10.1 Numéro de modèle (E-Nr.) et numéro de fabrication (FD)	26
10.2 Emplacement de la plaque signalétique	26
11 ÉNONCÉ DE LA GARANTIE LIMITÉE DU PRODUIT.....	26
11.1 Couverture de la garantie limitée.....	26
11.2 Durée de la garantie.....	26
11.3 Réparation ou remplacement : votre recours exclusif.....	26
11.4 Produit hors garantie.....	27
11.5 Exclusions de garantie	27
11.6 Obtention du service de garantie.....	28
11.7 Information sur le produit	28



IMPORTANTES CONSIGNES DE SÉCURITÉ

LIRE ET CONSERVER CES INSTRUCTIONS

Lisez attentivement toutes les instructions avant d'utiliser l'appareil. Afin de réduire les risques d'incendie, d'électrocution et de blessures corporelles lorsque vous utilisez l'appareil, suivez les précautions de base, et notamment les consignes de sécurité suivantes.

1.1 Définitions des termes de sécurité

Vous trouverez ici des explications sur les mots de signalisation de sécurité utilisés dans ce manuel.

AVERTISSEMENT

Signale un risque de mort ou de blessure grave si l'avertissement n'est pas respecté.

MISE EN GARDE

Signale un risque de blessures mineures ou modérées si l'avertissement n'est pas respecté.

AVIS :

Ceci indique que la non-conformité à cet avis de sécurité peut entraîner des dégâts matériels ou endommager l'appareil.

Remarque : Ceci vous signale des informations et/ou indications importantes.

1.2 Informations générales

Vous trouverez ici des informations générales sur ce manuel.

- Veuillez lire attentivement ce manuel.
- Respectez les consignes de sécurité et les avertissements.
- Conservez le manuel et les informations sur le produit dans un endroit sûr pour référence future ou pour le prochain propriétaire.
- Vérifiez que l'appareil n'est pas endommagé après l'avoir déballé. Ne branchez pas l'appareil s'il a été endommagé pendant le transport.

Cet appareil est conçu pour être utilisé jusqu'à une hauteur maximale de 6,560 pieds (2000 mètres) au dessus du niveau de la mer.

1.3 Utilisation sécuritaire

AVERTISSEMENT

Lorsqu'il est correctement entretenu, votre nouvel appareil a été conçu pour être sûr et fiable.

- ▶ Lisez toutes les instructions attentivement avant l'utilisation. Ces consignes réduiront le risque de brûlure, d'électrocution, d'incendie et de blessure pour les personnes utilisant l'appareil.
- ▶ Lorsque vous utilisez des appareils électroménagers, il importe de suivre les précautions de sécurité de base, y compris celles indiquées dans les pages suivantes.

MISE EN GARDE

Uniquement aux fins de ventilation générale.

- ▶ Ne pas utiliser pour évacuer des matières et des gaz dangereux ou explosifs.

AVERTISSEMENT

POUR RÉDUIRE LE RISQUE D'UN INCENDIE DE GRAISSE AU-DESSUS DE LA CUISINIÈRE

- ▶ Ne laissez jamais la surface de cuisson sans surveillance à des températures élevées - Les débordements provoquent de la fumée et des débordements graisseux qui peuvent s'enflammer. Chauffez l'huile lentement à feu doux ou moyen.
- ▶ Faites toujours fonctionner la hotte lorsque vous cuisinez à feu vif.
- ▶ Nettoyez régulièrement les ventilateurs. Ne pas laisser la graisse s'accumuler sur le ventilateur ou sur le filtre.
- ▶ Utilisez une taille de casserole appropriée. Toujours utiliser des ustensiles de cuisson adaptés à la taille de l'élément de surface.
- ▶ Ne flambez pas d'aliments (par exemple, crêpes Suzette, cerises Jubilee, bœuf flambé au poivre) sous la hotte aspirante et ne travaillez pas avec une flamme nue. Une hotte aspirante en marche aspire les flammes dans le filtre. Les dépôts de graisse sur les filtres risquent alors de s'enflammer!

Un incendie pourrait se produire pendant la cuisson.

- ▶ Toujours avoir un détecteur de fumée en état de marche près de la cuisine.
- ▶ Prière d'avoir à portée de main un extincteur d'incendie en bon état de marche, placé visiblement près de l'appareil électroménager et facile d'accès.

Si des vêtements ou des cheveux s'enflamment, rouler par terre immédiatement pour éteindre les flammes.



IMPORTANTES CONSIGNES DE SÉCURITÉ

LIRE ET CONSERVER CES INSTRUCTIONS

N'utilisez pas d'eau sur les feux de graisse.

- ▶ Étouffer le feu ou la flamme ou utiliser un extincteur à sec chimique ou à mousse.

Il existe un risque d'incendie si le nettoyage n'est pas effectué conformément aux instructions de la section relative au nettoyage et à l'entretien → *Page 23*. Les dépôts de graisse dans le filtre à graisse peuvent s'enflammer.

- ▶ Nettoyez le filtre à graisse au moins tous les deux mois ou plus souvent si nécessaire.
- ▶ N'utilisez jamais l'appareil sans le filtre à graisse. Les dépôts de graisse dans le filtre à graisse peuvent s'enflammer.
- ▶ Ne jamais travailler avec une flamme nue près de l'appareil électroménager (par ex., flambée des aliments).
- ▶ Installer la hotte près d'un appareil de chauffage de combustibles solides (par ex., bois ou charbon) uniquement en présence d'un couvercle de fermé, fixe. Il ne doit y avoir aucune étincelle.

Lorsque les brûleurs à gaz fonctionnent sans batterie de cuisine, ils peuvent accumuler beaucoup de chaleur. Un appareil de ventilation installé au-dessus de la table de cuisson peut être endommagé ou prendre feu.

- ▶ Faites fonctionner les brûleurs à gaz uniquement avec des ustensiles de cuisine dessus.

Beaucoup de chaleur est générée lors de l'utilisation simultanée de plusieurs brûleurs au gaz. Il est possible que le dispositif de ventilation installée au-dessus des tables de cuisson s'endommage ou prenne feu.

- ▶ Ne jamais utiliser deux brûleurs à gaz à plein rendement pendant plus de 15 minutes.
- ▶ Un grand brûleur avec plus de 17 000 BTU/h (5 kW) (un wok) est équivalent à la puissance de deux brûleurs à gaz.

Le fonctionnement de plusieurs brûleurs à gaz en même temps génère beaucoup de chaleur. L'appareil de ventilation peut être endommagé ou prendre feu.

- ▶ L'appareil de ventilation ne doit être combiné qu'avec des brûleurs à gaz ne dépassant pas la puissance totale maximale de 61 000 BTU/h (18 kW). Si 41 000 BTU/h (12 kW) sont dépassés, les réglementations locales concernant la ventilation de la pièce, la taille de la pièce et la combinaison avec des dispositifs de ventilation en mode d'extraction et de recirculation doivent être respectées.

L'huile et la graisse chaudes peuvent s'enflammer rapidement.

- ▶ Ne jamais laisser d'huile et de graisse chaudes sans surveillance.
- ▶ Ne jamais éteindre un feu avec de l'eau.
- ▶ Mettre la zone de cuisson à off (arrêt).
- ▶ Étouffer prudemment les flammes avec un couvercle, une couverture anti-feu ou un objet similaire.

AVERTISSEMENT

Les pièces accessibles deviennent chaudes en cours d'utilisation.

- ▶ Ne jamais toucher aux pièces chaudes.
- ▶ Tenez les enfants éloignés.

S'assurer que l'appareil tout entier (y compris les filtres à graisse et les ampoules, le cas échéant) s'est refroidi et que la graisse s'est solidifiée avant de tenter de nettoyer une partie quelconque de l'appareil électroménager.

AVERTISSEMENT

N'utilisez pas de hotte aspirante dont le cordon ou la fiche est endommagé.

- ▶ Jetez le ventilateur ou renvoyez-le à un centre de service agréé pour examen et / ou réparation. Ne pas acheminer le cordon d'alimentation sous une moquette ou un tapis.
- ▶ Ne couvrez pas le cordon avec des tapis ou des revêtements similaires.
- ▶ Ne pas acheminer le cordon d'alimentation sous les meubles ou les appareils électroménagers.
- ▶ Le placer hors des zones de circulation et éviter que quelqu'un ne trébuche sur le cordon.

AVERTISSEMENT

Des articles placés sur l'appareil électroménager risquent de tomber.

- ▶ Ne pas placer d'objets sur l'appareil électroménager. Stockage dans ou sur l'appareil - L'utilisation de produits chimiques corrosifs dans le chauffage ou le nettoyage endommagera l'appareil et pourrait entraîner des blessures.
- ▶ Les matériaux inflammables, les produits chimiques corrosifs, les vapeurs ou les produits non alimentaires ne doivent pas être stockés ou utilisés dans un four ou sur ou près des unités de surface.
- ▶ L'appareil est spécialement conçu pour être utilisé lors du chauffage ou de la cuisson des aliments.



IMPORTANTES CONSIGNES DE SÉCURITÉ

LIRE ET CONSERVER CES INSTRUCTIONS

Cet appareil électroménager est conçu uniquement pour un usage domestique habituel. Il n'est pas approuvé pour une utilisation en extérieur. Consultez l'énoncé de garantie limitée de produit. Pour toute question, veiller à communiquer avec le fabricant.

AVERTISSEMENT

POUR RÉDUIRE LE RISQUE DE BLESSURES EN CAS D'INCENDIE DE GRAISSE DE CUISINIÈRE, RESPECTEZ LES INDICATIONS SUIVANTES.^a

- ▶ FLAMMES PLUS DOUCES avec un ajustement serré du couvercle, plaque à biscuits ou plateau métallique, puis éteignez le brûleur. FAIRE ATTENTION AUX BRÛLURES. Si les flammes ne s'éteignent pas immédiatement, ÉVACUEZ ET APPELEZ LE SERVICE D'INCENDIE.
- ▶ NE JAMAIS SOULEVER UNE POÊLE EN FLAMMES - Vous pourriez vous brûler.
- ▶ NE PAS UTILISER D'EAU, y compris des torchons ou des serviettes mouillés, cela provoquerait une violente explosion de vapeur.
- ▶ Utilisez un extincteur UNIQUEMENT si :
 - Vous savez que vous avez un extincteur de classe ABC, et vous savez déjà comment le faire fonctionner.
 - L'incendie est petit et contenu dans la zone où il a commencé.
 - Les pompiers sont appelés.
 - Vous pouvez combattre le feu en tournant le dos à une sortie.

^aBasé sur « Conseils de sécurité en cas d'incendie dans la cuisine » publié par la NFPA.

AVERTISSEMENT

Des flammes peuvent être aspirées dans le système de ventilation.

- ▶ Dans la mesure du possible, ne mettez pas en marche le système de ventilation pendant un feu de table de cuisson. Toutefois, ne passez pas la main à travers le feu pour l'éteindre.

AVERTISSEMENT

La lumière émise par les lumières à DEL est très éblouissante et peut endommager les yeux.

- ▶ Ne regardez pas directement dans les lumières à DEL allumées pendant plus de 100 secondes.

AVERTISSEMENT

L'humidité qui pénètre peut occasionner une électrocution.

- ▶ N'utilisez pas de nettoyeur haute pression ou de nettoyeur à vapeur pour nettoyer l'appareil.

AVERTISSEMENT

POUR RÉDUIRE LE RISQUE D'INCENDIE, D'ÉLECTROCUTION OU DE BLESSURES, RESPECTER LES INDICATIONS SUIVANTES :

- ▶ Utilisez cet appareil uniquement de la façon recommandée par le fabricant. Pour toutes questions, veuillez contacter le fabricant.
→ "Service à la clientèle", Page 25
- ▶ Avant de réparer ou de nettoyer l'appareil, coupez l'alimentation électrique au boîtier à fusibles ou des disjoncteurs et verrouillez le dispositif de sectionnement pour éviter que l'alimentation ne soit rétablie accidentellement. Lorsque le dispositif de sectionnement ne peut pas être verrouillé, fixer solidement un accessoire d'avertissement visible et adéquat, comme une étiquette, au boîtier à fusibles ou des disjoncteurs.

AVERTISSEMENT

Pour réduire le risque d'incendie ou d'électrocution, n'utilisez pas ce ventilateur avec un dispositif de contrôle de vitesse à semi-conducteurs.

AVERTISSEMENT

Un appareil endommagé ou un cordon d'alimentation secteur endommagé est dangereux.

- ▶ N'utilisez jamais un appareil endommagé.
- ▶ Ne jamais tirer sur le cordon d'alimentation secteur pour débrancher l'appareil du secteur. Toujours débrancher la fiche mâle du cordon d'alimentation secteur.
- ▶ Si l'appareil ou le cordon d'alimentation secteur est endommagé, débrancher immédiatement la fiche mâle du cordon d'alimentation secteur ou couper le fusible dans le boîtier à fusibles.
- ▶ Appelez le service après-vente. → Page 25



IMPORTANTES CONSIGNES DE SÉCURITÉ

LIRE ET CONSERVER CES INSTRUCTIONS

AVERTISSEMENT

Lors de la cuisson des aliments, de petites quantités de certains sous-produits, tels que des particules / de la suie, peuvent être libérés. Pour minimiser l'exposition à ces substances:

- ▶ Assurez-vous d'avoir toujours une ventilation adéquate en utilisant un ventilateur approprié ou une hotte avec une évacuation vers l'extérieur et/ou une fenêtre ouverte.
- ▶ Faites toujours fonctionner l'appareil en suivant les consignes de ce manuel.

AVERTISSEMENT

Les matériaux surchauffés peuvent provoquer un incendie ou des brûlures et peuvent produire des émanations ou fumées potentiellement dangereuses.

- ▶ Pour éviter une surchauffe, allumez la hotte lorsque vous chauffez des graisses ou faites frire quelque chose en utilisant des paramètres de température moyen à haut.
- ▶ Évitez de chauffer des casseroles et des poêles vides.
- ▶ Ne laissez pas les casseroles bouillir à sec.
- ▶ Ne laissez pas du papier d'aluminium, du plastique, du papier ou du tissu entrer en contact avec un élément chaud, un brûleur ou une grille.

AVERTISSEMENT

Ne laissez jamais la table de cuisson sans surveillance lors de son utilisation. Une cuisson sans surveillance sur une table de cuisson avec de la graisse ou de l'huile peut être dangereuse et peut provoquer un incendie. Les débordements provoquent de la fumée et les résidus de graisses peuvent s'enflammer.

1.4 Sécurité des enfants

Cet appareil n'est pas destiné à être utilisé par des personnes (y compris des enfants) présentant des capacités physiques, sensorielles ou mentales réduites, à moins qu'elles n'aient été informées de la manière d'utiliser l'appareil par une personne responsable de leur sécurité.

Lorsque les enfants sont assez âgés pour utiliser l'appareil, il incombe aux parents ou tuteurs légaux de veiller à ce qu'ils soient formés aux pratiques sécuritaires par des personnes qualifiées.

Les enfants doivent être surveillés afin de s'assurer qu'ils ne jouent pas avec l'appareil.

AVERTISSEMENT

Ne pas permettre aux enfants d'utiliser cet appareil électroménager à moins d'être étroitement surveillés par un adulte.

- ▶ Les enfants et les animaux domestiques ne doivent pas être laissés seuls ou sans surveillance à un endroit où un appareil électroménager est utilisé. Ils ne doivent jamais jouer à proximité, que l'appareil soit utilisé ou non.

Ne pas laisser quiconque monter, se tenir debout, se pencher, s'asseoir ou se suspendre sur une partie quelconque de l'appareil électroménager.

MISE EN GARDE

Ne rangez pas d'articles d'intérêt pour les enfants dans des armoires au-dessus d'un appareil ou sur la protection arrière d'un appareil. Les enfants qui essaient de monter sur un appareil électroménager pour atteindre ces articles pourraient être gravement blessés.

AVERTISSEMENT

Retirer tout le ruban adhésif et l'emballage avant d'utiliser l'électroménager.

- ▶ Jetez l'emballage après avoir déballé l'électroménager.
- ▶ Éliminez l'emballage d'une manière respectueuse de l'environnement.
- ▶ Ne laissez jamais les enfants jouer avec le matériel d'emballage.

1.5 Installation et entretien appropriés

AVERTISSEMENT

En cas de dysfonctionnement, il peut s'avérer nécessaire de couper l'alimentation.

- ▶ Demandez à l'installateur de vous montrer le disjoncteur ou le fusible. Identifiez sa position pour pouvoir le retrouver facilement.

Pour éviter les risques d'électrocution, avant de réparer l'appareil, coupez l'alimentation au niveau du panneau de service et verrouillez le panneau pour éviter que l'alimentation ne soit accidentellement activée.

Installation correcte - Une installation ou une mise à la terre incorrecte peut provoquer un choc électrique.

- ▶ L'appareil doit être correctement installé et mis à la terre par un technicien qualifié.
- ▶ Raccordez l'appareil uniquement à une prise de courant correctement mise à la terre.
- ▶ Reportez-vous aux instructions d'installation pour plus de détails.



IMPORTANTES CONSIGNES DE SÉCURITÉ

LIRE ET CONSERVER CES INSTRUCTIONS

Entretien par l'utilisateur - Ne réparez ni ne remplacez aucune pièce de l'appareil à moins que ce ne soit spécifiquement recommandé dans ce manuel.

- ▶ L'installation, les réparations ou l'entretien inadéquats pourraient causer des blessures ou des dégâts matériels.
- ▶ Consulter ce manuel pour les directives d'utilisation.
- ▶ Tous les autres services doivent être référés à un fournisseur de services agréé.

AVERTISSEMENT

Certaines surfaces cachées peuvent avoir des rebords tranchants.

- ▶ Redoubler de vigilance quand vous passez la main derrière ou sous l'appareil électroménager.

AVERTISSEMENT

Les dysfonctionnements peuvent provoquer des blessures.

- ▶ Ne pas utiliser cet appareil électroménager s'il ne fonctionne pas correctement ou s'il a été endommagé. Contactez un prestataire de services agréé.

AVERTISSEMENT

La pièce doit être suffisamment ventilée lorsque la hotte est utilisée en même temps que des appareils fonctionnant au gaz ou à d'autres combustibles.

- ▶ Un fonctionnement sécuritaire est possible quand la pression dans la pièce où est installé le brûleur ne dépasse pas 4 Pa (0,04 mbar).
- ▶ Pour ce faire, le débit d'air comburant doit passer par des ouvertures non verrouillables, comme les portes, les fenêtres, et par la boîte murale de débit et d'évacuation d'air ou par d'autres moyens techniques, comme un système à enclenchement réciproque, etc.

MISE EN GARDE

La graisse laissée sur les filtres peut refondre et s'infiltrer dans l'évent.

AVERTISSEMENT

Éviter l'intoxication au monoxyde de carbone - Prévoir une admission d'air adéquate pour empêcher le retour des gaz de combustion dans la pièce. Une boîte murale de débit et d'évacuation d'air seule n'assure pas le respect des valeurs limites.

- ▶ Remarque : Au moment de revoir les exigences dans l'ensemble, il faut tenir compte du système d'apport d'air combiné pour toute la maison. Cette règle ne

s'applique pas à l'utilisation d'appareils électroménagers de cuisson comme les tables de cuisson et les fours.

AVERTISSEMENT

Afin de réduire les risques d'incendie, de choc électrique ou de blessures corporelles, n'utilisez pas de pièces de rechange non recommandées par le fabricant (par exemple des pièces fabriquées à la maison à l'aide d'une imprimante 3D).

1.6 Mises en garde conformément à la proposition 65 de l'État de Californie

Ce produit pourrait contenir un produit chimique reconnu par l'État de la Californie comme cancérigène ou ayant des effets nocifs sur la reproduction. Par conséquent, vous pourriez devoir apposer l'étiquette suivante sur l'emballage du produit comme requis par la Californie :

AVERTISSEMENT ISSUE DE LA PROPOSITION 65 DE L'ÉTAT DE LA CALIFORNIE :



AVERTISSEMENT

Cancer et dommages à la reproduction -
www.P65Warnings.ca.gov

2 Prévenir les dommages matériels

AVIS :

Le condensat peut causer des dommages par corrosion.

- ▶ Pour éviter la formation de condensation, allumez l'appareil pendant la cuisson.

Si de l'humidité pénètre dans les commandes, cela peut entraîner des dommages.

- ▶ Ne jamais nettoyer les commandes avec un chiffon mouillé.

Un nettoyage incorrect endommage les surfaces.

- ▶ Suivez les instructions de nettoyage.
- ▶ N'utilisez pas de détergents agressifs ou abrasifs.
- ▶ Nettoyez les surfaces en acier inoxydable uniquement dans le sens de la finition.
- ▶ Ne nettoyez jamais les commandes avec des nettoyeurs pour acier inoxydable.

L'eau de condensation qui s'écoule à l'arrière peut endommager l'appareil.

- ▶ Pour éviter tout retour de condensat, montez le conduit d'évacuation de l'appareil avec 1° de pente.

Il existe un risque d'endommagement de la surface si vous ne retirez pas le film protecteur.

- ▶ Retirez le film protecteur de toutes les pièces de l'appareil avant de l'utiliser pour la première fois.

3 Protection de l'environnement et économies

3.1 Mise au rebut de l'emballage

Les matériaux d'emballage sont écologiques et recyclables.

- ▶ Veuillez éliminer les pièces détachées après les avoir triées par matières.

3.2 Économiser de l'énergie

Si vous respectez les instructions suivantes, votre appareil consommera moins de courant.

Nettoyez ou remplacez les filtres aux intervalles spécifiés ou aussi souvent que nécessaire.

- ✓ L'efficacité des filtres est conservée.

Éteignez l'éclairage si vous n'en avez plus besoin.

- ✓ Lorsque l'éclairage est éteint, il ne consomme aucune énergie.

Utilisez le couvercle de cuisson.

- ✓ Les vapeurs de cuisson et les condensats sont réduits.

N'utilisez les fonctions supplémentaires que si nécessaire.

- ✓ La désactivation des fonctions supplémentaires réduit la consommation d'énergie.

4 Modes de fonctionnement

Vous pouvez utiliser votre appareil en mode évacuation extérieure ou en mode recirculation de l'air.

4.1 Mode d'extraction d'air

L'air aspiré est épuré par les filtres à graisse et acheminé vers l'extérieur par un système de tuyauterie.



L'air ne doit pas être évacué dans un conduit de fumée utilisé pour évacuer les fumées des appareils brûlant du gaz ou d'autres combustibles (non applicable aux appareils qui ne rejettent que l'air dans la pièce).

- Si l'air évacué doit être acheminé vers un conduit de fumée ou de gaz d'échappement qui ne fonctionne pas, vous devez obtenir l'accord d'un ingénieur en chauffage responsable.
- Si l'air d'échappement est acheminé à travers la paroi externe, un conduit télescopique doit être utilisé.

4.2 Mode de recirculation de l'air

L'air aspiré est nettoyé par les filtres à graisse et un filtre anti-odeurs, puis renvoyé dans la pièce.



Pour lier les odeurs en mode recyclage d'air, vous devez installer un filtre anti-odeurs. Les différentes possibilités de fonctionnement de l'appareil en mode recyclage d'air se trouvent dans notre catalogue. D'autre part, vous pouvez demander au commerçant. Les accessoires nécessaires sont disponibles auprès des revendeurs spécialisés, du service à la clientèle ou de la boutique en ligne.

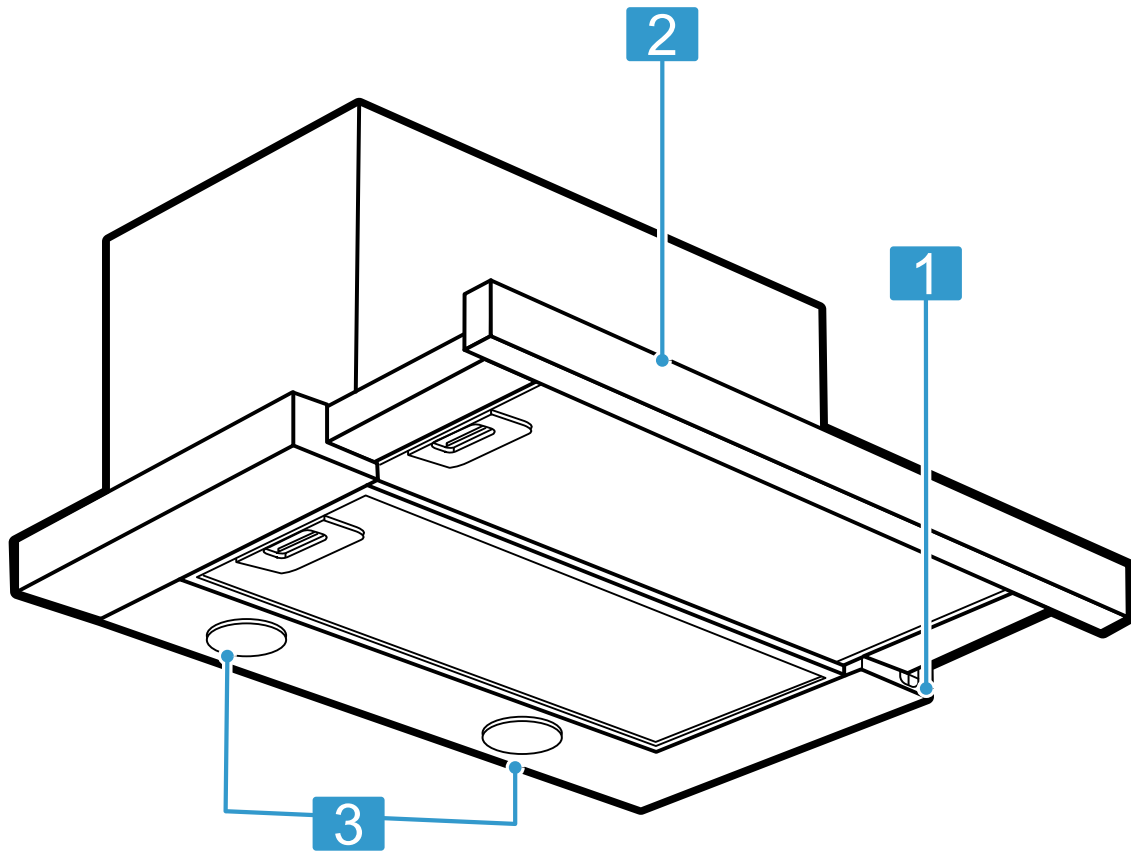
→ "Accessoires", Page 25

Lors d'une utilisation en mode de recirculation, utilisez uniquement le filtre à charbon modèle HVREC5UC pour réduire les risques d'incendie et d'électrocution.

5 Description de l'appareil

5.1 Électroménager

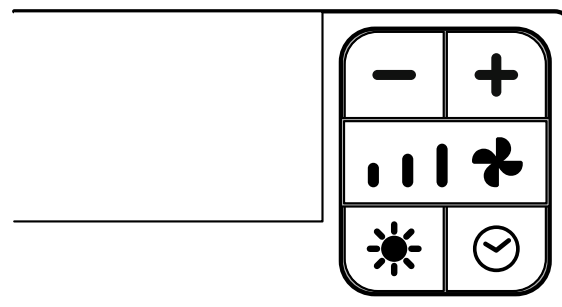
Cette section contient une vue d'ensemble des composants de votre appareil.



- | | |
|---|---------------------|
| 1 | Lumières à DEL |
| 2 | Retrait du filtre |
| 3 | Panneau de commande |

5.2 Commandes

Vous pouvez utiliser le panneau de commande de la table de cuisson pour configurer toutes les fonctions de votre appareil et obtenir des informations sur l'état de fonctionnement.



—	Diminuez la vitesse du ventilateur
+	Augmentez la vitesse du ventilateur
☀	Éclairage
⌚	Temporisation de ventilateur

5.3 Opération de base

Retrait du filtre

Déployer le tiroir-filtre

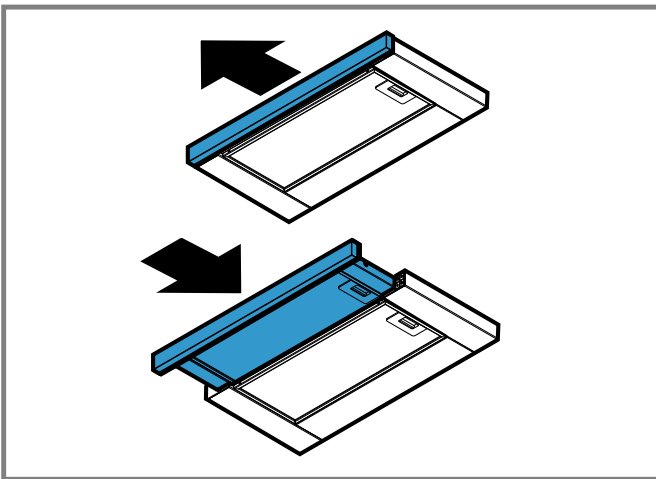
Remarque : L'appareil démarre avec les fonctions qui étaient réglées lorsque le tiroir était fermé.

- ▶ Saisissez le milieu du tiroir-filtre et tirez dessus.
- ✓ Le panneau de commande est accessible et l'appareil prêt à fonctionner.

Rentrer le tiroir-filtre

Remarque : La ventilation est désactivée lors de la fermeture, l'éclairage reste allumé.

- ▶ Saisissez le milieu du tiroir-filtre et enfoncez-le.



Mise sous tension du ventilateur

Remarque : Ajustez toujours la puissance du ventilateur pour satisfaire aux conditions actuelles. S'il y a une accumulation importante de vapeur ou de fumée, sélectionnez un réglage plus rapide de ventilateur.

1. Appuyez sur +.
- ✓ La puissance d'aspiration actuelle est représentée à l'écran sous forme de barres.
2. Appuyez sur + ou — pour modifier les réglages du ventilateur.

Mise hors tension du ventilateur

- ▶ Appuyez sur — à plusieurs reprises jusqu'à ce que le ventilateur s'éteigne.

Activation du mode intensif

En cas de forte émission d'odeurs ou de vapeurs de cuisson, utilisez le mode intensif.

- ▶ Appuyez sur + alors que l'appareil est réglé au niveau 3.
- ✓ ✦ est affiché.
- ✓ Au bout de 5 minutes, l'électronique repasse automatiquement à la puissance d'aspiration 2.

Désactivation du mode intensif

- ▶ Appuyez sur — jusqu'à ce que le réglage de ventilateur requis soit atteint.

Activation de l'éclairage

L'éclairage peut être allumé et éteint indépendamment de la ventilation.

- ▶ Appuyez sur ☀.

Avis de saturation

L'écran sur le panneau indique la saturation du filtre à graisse métallique ou du filtre au charbon actif.

- Filtre à graisse : la puissance 3 et la vitesse intense clignotent en alternance.
- Filtre anti-odeurs : la puissance 3 et la vitesse intense clignotent simultanément.

Si vous ne l'avez pas encore fait, nettoyer à présent les filtres à graisse à grille métallique ou remplacer le filtre au charbon actif.

Pour savoir comment nettoyer les filtres à graisse métalliques, reportez-vous à la section → "Nettoyage et entretien", Page 23.

Réinitialisation du degré de saturation

- ▶ Appuyez et maintenez ⌚.

Commutation de l'affichage pour le mode recirculation de l'air

Pour le mode recirculation de l'air, la commande de l'écran électronique doit être correctement permutée :

Exigence : La hotte aspirante doit être raccordée au secteur et éteinte.

1. Appuyez sur + et — simultanément jusqu'à ce que les puissances d'aspiration 1 et 2 s'allument brièvement à l'écran du panneau.
2. Pour remettre l'affichage de la commande électronique en mode d'évacuation d'air, appuyez plusieurs fois sur la combinaison de boutons.
- ✓ L'affichage du réglage du ventilateur 1 s'allume brièvement

6 Nettoyage et entretien

Pour que votre appareil reste longtemps opérationnel, nettoyez-le et entretenez-le avec soin.

6.1 Produits de nettoyage

Vous pouvez vous procurer des produits de nettoyage adaptés auprès du service après-vente ou du magasin en ligne.

AVIS :

Les produits de nettoyage inappropriés risquent d'endommager la surface de l'appareil.

- ▶ N'utilisez pas de produits de nettoyage agressifs ou récurants.
- ▶ N'utilisez pas de produits de nettoyage fortement alcoolisés,
- ▶ N'utilisez pas de tampon abrasif ni d'éponge en laine d'acier.
- ▶ N'utilisez des nettoyeurs pour vitres, des grattoirs ou des produits d'entretien en acier inoxydable que si cela est recommandé dans les instructions de nettoyage de la pièce concernée.
- ▶ Lavez bien les tissus éponges avant de les utiliser.

6.2 Nettoyer l'appareil

Nettoyez l'appareil comme spécifié. Cela garantira que les différentes pièces et surfaces de l'appareil ne sont pas endommagées par un nettoyage incorrect ou des produits de nettoyage inappropriés.

⚠ AVERTISSEMENT

Des agents de nettoyage fortement caustiques alcalins ou très acides associés aux pièces en aluminium à l'intérieur de l'appareil peuvent provoquer des explosions.

- ▶ N'utilisez jamais de produits de nettoyage alcalins ou hautement acides. En particulier, n'utilisez pas d'agents de nettoyage commerciaux ou industriels avec des pièces en aluminium, par ex. filtre à graisse sur les hottes aspirantes.

⚠ AVERTISSEMENT

L'humidité qui pénètre peut occasionner une électrocution.

- ▶ Avant le nettoyage, retirez la fiche secteur ou coupez le fusible dans le tableau électrique.
- ▶ N'utilisez pas de nettoyeur haute pression ou de nettoyer à vapeur pour nettoyer l'appareil.

⚠ AVERTISSEMENT

L'appareil est chaud pendant son fonctionnement.

- ▶ Laissez refroidir l'appareil avant de le nettoyer.

⚠ AVERTISSEMENT

Les composants à l'intérieur de l'appareil électroménager peuvent avoir des rebords tranchants.

- ▶ Nettoyez soigneusement l'intérieur de l'appareil.

1. Respectez les informations relatives aux agents de nettoyage.

2. Nettoyez comme suit, selon la surface :

- Nettoyez les surfaces en acier inoxydable dans le sens de la finition à l'aide d'un chiffon éponge et de l'eau savonneuse chaude.
- Nettoyez les surfaces peintes à l'aide d'un chiffon éponge humide et de l'eau savonneuse chaude.
- Nettoyez l'aluminium à l'aide d'un chiffon doux et d'un nettoyant pour vitres.
- Nettoyez le plastique à l'aide d'un chiffon doux et d'un nettoyant pour vitres.
- Nettoyez le verre à l'aide d'un chiffon doux et d'un nettoyant pour vitres.

3. Séchez avec un chiffon doux.

4. Appliquez une fine couche de produit de nettoyage pour acier inoxydable sur les surfaces en acier inoxydable à l'aide d'un chiffon doux.

Vous pouvez vous procurer des produits de nettoyage en acier inoxydable auprès du service après-vente ou du magasin en ligne.

6.3 Retrait du filtre à graisse

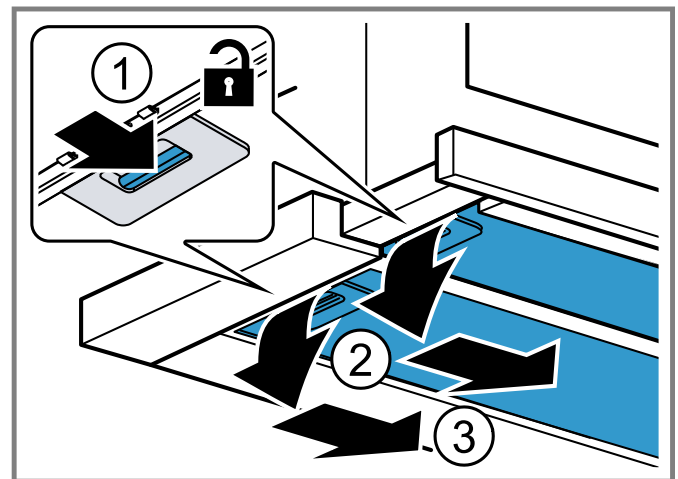
1. **AVIS :** La chute des filtres à graisse peut endommager la table de cuisson ci-dessous.

- ▶ Saisissez d'une main sous le filtre à graisse.

Ouvrez le verrou et rabattez le filtre à graisse. Pendant ce temps, placez votre autre main sous le filtre à graisse.

2. **Remarque :** De la graisse peut s'accumuler au fond du filtre à graisse. Ne tenez pas le filtre à graisse de biais pour éviter que la graisse ne s'écoule.

Retirez le filtre à graisse de son support.



3. Nettoyez le filtre.

4. Nettoyez délicatement l'intérieur de l'appareil après avoir retiré les filtres.

6.4 Montage des filtres à graisse

AVIS :

La chute des filtres à graisse peut endommager la table de cuisson ci-dessous.

- ▶ Saisissez d'une main sous le filtre à graisse.

1. Montez les filtres à graisse.
2. Pliez les filtres à graisse vers le haut et engagez les verrous.
3. Assurez-vous que les verrous s'enclenchent.

6.5 Remplacement du filtre anti-odeurs en option

Pour plus d'informations sur le filtre anti-odeurs, voir les instructions d'installation.

- Le filtre anti-odeurs ne peut pas être nettoyé. Il faut le remplacer tous les 4 à 6 mois, selon l'utilisation de la hotte.
- Ne rincez pas et ne mettez pas le filtre anti-odeurs au lave-vaisselle automatique.

7 Dépannage

Vous pouvez éliminer vous-même les défauts mineurs de votre appareil. Veuillez lire les informations de dépannage avant de contacter le service à la clientèle. Cela peut éviter des frais de visite inutiles.

AVERTISSEMENT

Des réparations mal exécutées sont dangereuses.

- ▶ Les réparations de l'appareil ne doivent être effectuées que par des prestataires de services agréés.

- ▶ Afin d'écartier tout danger, quand le cordon d'alimentation de cet appareil est endommagé, seul le fabricant, son service à la clientèle ou toute autre personne de qualification équivalente est habilité à le faire.
- ▶ Seules des pièces de rechange d'origine peuvent être utilisées pour réparer l'appareil.
- ▶ Si l'appareil a un problème, appelez le service client.

Défaut	Cause et dépannage
L'appareil ne fonctionne pas.	La fiche secteur du cordon d'alimentation secteur n'est pas branchée. <ul style="list-style-type: none"> ▶ Branchez l'appareil au réseau électrique.
	Le fusible dans le coffret à fusibles s'est déclenché. <ul style="list-style-type: none"> ▶ Vérifiez le fusible dans le boîtier à fusibles.
	Aucune alimentation électrique. <ul style="list-style-type: none"> ▶ Vérifiez si les lumières et les autres appareils dans la pièce fonctionnent.
L'éclairage à DEL ne fonctionne pas.	Ce problème peut avoir de nombreuses causes. <ul style="list-style-type: none"> ▶ Les ampoules à DEL défectueuses peuvent être remplacées uniquement par le fabricant de l'appareil, son service client ou un technicien qualifié (électricien). ▶ Appelez le → "Service à la clientèle", Page 25.

8 Accessoires

Vous pouvez acheter des accessoires auprès du service à la clientèle, dans les commerces spécialisés ou sur Internet. Utilisez uniquement les accessoires d'origine, car ils sont précisément adaptés à votre appareil.

Les accessoires sont spécifiques à l'appareil. Lors de l'achat, indiquez toujours la désignation exacte de votre appareil (E-Nr.). → Page 26

Pour connaître les accessoires disponibles pour votre appareil, consultez notre catalogue, notre boutique en ligne ou le service à la clientèle.

www.bosch-home.com

Accessoires	Numéro de commande
Filtre anti-odeurs	HVREC5UC

9 Élimination

9.1 Éliminer un appareil usagé

L'élimination dans le respect de l'environnement permet de récupérer de précieuses matières premières.

1. Débranchez la fiche du secteur.
2. Coupez le câble de raccordement secteur.
3. Éliminez l'appareil dans le respect de l'environnement.

Pour connaître les circuits d'élimination actuels, veuillez vous adresser à votre revendeur ou à votre administration municipale.

10 Service à la clientèle

Lors de toute réparation réalisée dans le cadre de la garantie, nous nous assurons que votre appareil est réparé avec des pièces de rechange d'origine par un technicien dûment formé et agréé. Nous utilisons exclusivement des pièces de rechange d'origine lors des réparations.

Pour plus d'informations sur la durée et les conditions de la garantie dans votre pays, consultez nos modalités de garantie auprès de votre détaillant ou sur notre site Web. Si vous contactez le service à la clientèle, indiquez le numéro de modèle (E-Nr.) et le numéro de fabrication (FD) de l'appareil.

La source de lumière est disponible en tant que pièce de rechange et doit être remplacée uniquement par du personnel qualifié.

USA:

1-800-944-2904

www.bosch-home.com/us/owner-support/get-support

www.bosch-home.com/us/shop

CA:

1-800-944-2904

www.bosch-home.ca/en/service/get-support

www.bosch-home.ca/en/service/cleaners-and-accessories

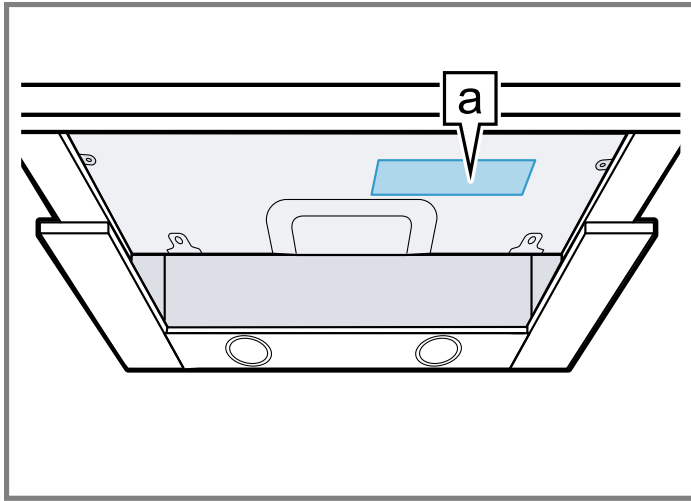
10.1 Numéro de modèle (E-Nr.) et numéro de fabrication (FD)

Le numéro de modèle (E-Nr.) et le numéro de fabrication (FD) sont indiqués sur la plaque signalétique de l'appareil. Pour retrouver rapidement les données de votre appareil et le numéro de téléphone du service à la clientèle, n'hésitez pas à les recopier ailleurs.

10.2 Emplacement de la plaque signalétique

Vous trouverez la plaque signalétique de votre appareil :

- A l'intérieur de l'appareil (retirer les filtres à graisse pour y accéder).



a Plaque signalétique

11 ÉNONCÉ DE LA GARANTIE LIMITÉE DU PRODUIT

11.1 Couverture de la garantie limitée

La garantie limitée fournie par BSH Home Appliances (« Bosch ») dans cet énoncé de garantie limitée s'applique seulement à l'appareil Bosch qui vous a été vendu (« Produit »), pour autant que le produit ait été acheté :

- Pour une utilisation normale résidentielle (non commerciale), et qu'il a été utilisé en tout temps pour un usage domestique normal.
- Neuf au détail auprès d'un revendeur agréé BSH ou directement auprès de BSH (pas un présentoir, « tel quel », ou un modèle précédemment retourné), et non destiné à la revente ou à un usage commercial.
- Aux États-Unis ou au Canada et qu'il est demeuré en tout temps dans son pays d'achat.

Les garanties aux présentes s'appliquent à l'acheteur original du produit sous garantie et à tout propriétaire successif du produit acheté pour une utilisation résidentielle habituelle et la durée de la garantie. Assurez-vous d'enregistrer votre produit ; bien qu'il ne soit pas nécessaire pour appliquer la garantie, c'est le meilleur moyen pour Bosch de vous informer dans le cas peu probable d'un avis de sécurité ou d'un rappel de produit.

11.2 Durée de la garantie

Bosch garantit que le produit est exempt de défauts de matériaux et de fabrication pendant une période de trois cent soixante-cinq (365) jours à compter de la date de livraison initiale. La période susmentionnée commence à partir de la date de livraison et ne doit pas être retenue, retardée, prolongée, ou interrompue pour une raison quelconque. Ce produit est également garanti exempt de défauts **cosmétiques** de matériaux et de fabrication (tels que des rayures sur l'acier inoxydable, des taches de peinture/porcelaine, des éclats, des bosses ou d'autres dommages à la finition) du produit, pendant une période de trente (30) jours à compter de la date de livraison ou de la date de clôture pour les nouvelles constructions. La présente garantie **cosmétique** exclut les variations légères de couleur causées par les différences inhérentes entre les sections peintes et les sections en porcelaine, de même que les différences causées par l'éclairage de la cuisine, l'emplacement du produit et autres facteurs similaires. La présente garantie **cosmétique** exclut spécifiquement tous les appareils en montre, de plancher, « tel quel » et remis à neuf.

11.3 Réparation ou remplacement : votre recours exclusif

Pendant cette période de garantie, Bosch ou l'un de ses centres de réparations autorisés réparera gratuitement votre produit (sous réserve de certaines restrictions aux présentes) si celui-ci présente des défauts de matériels ou de fabrication. Si des tentatives raisonnables pour réparer le produit sont vaines, alors Bosch remplacera le produit (un modèle supérieur peut être offert, à la seule discrétion de Bosch, moyennant des frais supplémentaires). Rien dans cette garantie n'exige que les pièces endommagées ou défectueuses soient remplacées par des pièces d'un type ou d'une conception différent de la pièce d'origine. Toutes les pièces ou les composants enlevés demeurent la seule propriété de Bosch. Toute pièce remplacée ou réparée doit être identique à la pièce d'origine aux fins de la présente garantie et la garantie ne sera pas prolongée en regard de telles pièces. La seule responsabilité de Bosch est de faire réparer le produit défectueux uniquement par un centre de réparation autorisé pendant les heures de travail normales. Pour des raisons de sécurité et de dommages matériels, Bosch vous recommande fortement de ne pas essayer de réparer le produit vous-même ou de faire appel à un prestataire de services non agréé ; Bosch décline toute responsabilité en cas de dommages résultant de réparations ou de travaux effectués par un prestataire de services non agréé. Les centres de réparation autorisés sont les personnes ou les entreprises qui ont été spécialement formées sur les produits Bosch et qui possèdent, selon l'opinion de Bosch, une réputation supérieure pour le service après-vente et la capacité technique (il est à noter qu'elles sont des entités indépendantes et non des agents, partenaires, affiliés ou représentants de Bosch). Néanmoins, le fait de confier l'entretien de votre produit à un atelier de réparation non

affilié ou à un revendeur agréé Bosch n'annulera pas cette garantie. De plus, l'utilisation de pièces tierces n'annulera pas cette garantie. Nonobstant ce qui précède, Bosch ne sera pas tenue responsable d'aucune façon si le produit est situé dans une région éloignée (supérieure à 100 miles d'un centre de réparation autorisé) ou n'est pas accessible de façon raisonnable, dans un environnement ou un local dangereux, menaçant ou périlleux; dans une telle éventualité, à la demande du consommateur, Bosch pourrait encore payer les frais de main-d'œuvre et de pièces et expédier les pièces au centre de réparation autorisé le plus près, mais le consommateur serait entièrement responsable pour tous les frais de déplacement et autres frais spéciaux encourus par le centre de réparation, en autant qu'il accepte la demande de réparation. En outre, dans la mesure où vous avez installé le produit dans un endroit difficile d'accès ou si vous avez installé des installations temporaires ou permanentes qui créent des obstacles à l'accès ou au retrait du produit, Bosch n'encourra aucune responsabilité ou n'aura aucune responsabilité pour les travaux ou les coûts associés au déplacement du Produit ou à la création d'un accès au Produit afin de le réparer ou de le remplacer. Tous ces frais seront à votre charge exclusive.

11.4 Produit hors garantie

Bosch n'a aucune obligation, aux termes de la loi ou autrement, d'offrir toute concession, incluant réparation, prorata ou remplacement de produit une fois la garantie expirée.

11.5 Exclusions de garantie

La couverture de garantie décrite dans les présentes exclut tous les défauts ou dommages pour lesquels Bosch serait directement imputable, y compris, sans s'y limiter, l'un ou plusieurs des cas suivants :

- Utilisation du produit autre qu'un usage normal, habituel et de la façon destinée (incluant, sans s'y limiter, toute forme d'utilisation commerciale, d'utilisation ou de rangement d'un produit pour l'intérieur à l'extérieur, d'utilisation du produit de concert avec un transporteur aérien ou marin).
- Mauvaise conduite de toute partie, négligence, mauvaise utilisation, abus, accidents, fonctionnement inadéquat, mauvais entretien, installation inadéquate ou négligente, altération, manquement d'observer les instructions de fonctionnement, mauvaise manipulation, service non autorisé (incluant réparation par le consommateur ou exploration du fonctionnement interne du produit).
- Réglage, modification ou altération de tout type.
- Non conformité aux normes fédérales, provinciales, municipales ou électriques en vigueur au pays, aux codes de plomberie ou du bâtiment, aux réglementations ou aux lois, incluant le non respect d'installer le produit en stricte conformité avec les codes et les réglementations du bâtiment et d'incendie locaux.

- Bris et usure normaux, déversements d'aliments ou de liquides, accumulations de graisse ou d'autres substances dans, sur ou autour du Produit.
- Toute force ou tout facteur externe, élémentaire et / ou environnemental, incluant sans limitation, la pluie, le vent, le sable, les inondations, les incendies, les coulées de boue, le gel, l'humidité excessive ou l'exposition prolongée à l'humidité, la foudre, les surtensions, les problèmes de structure autour de l'appareil et les désastres naturels.
- Demandes de service visant à corriger l'installation de votre Produit, à obtenir des conseils à propos de son utilisation, à remplacer les fusibles de votre maison ou à réparer l'installation électrique ou la plomberie de votre foyer.
- Retrait et remplacement de la garniture ou des panneaux de décoration qui entravent l'entretien du produit.
- Dommages ou défauts résultant de la main-d'œuvre ou de pièces installées par un centre de réparation non autorisé, à moins d'être approuvé par Bosch avant de procéder à sa réparation.

En aucun cas, Bosch ne sera tenue responsable de dommages survenus à la propriété environnantes, incluant les armoires, les planchers, les plafonds et les autres objets ou structures situés autour du produit. Également exclus de la garantie sont les Produits dont les numéros de série ont été modifiés, effacés ou enlevés; les demandes de réparations pour enseigner le fonctionnement du Produit ou les visites où il n'y a aucun problème avec le produit; la correction de problèmes d'installation (le consommateur est seul responsable pour toute structure et tout réglage du Produit, incluant l'électricité, la plomberie et les autres raccordements nécessaires, pour une fondation / plancher approprié[e], et pour toute modification incluant, sans limitation, armoires, murs, planchers, tablettes, etc.) et le réenclenchement de disjoncteurs ou le remplacement de fusibles.

DANS LA MESURE AUTORISÉE PAR LOI, LA PRÉSENTE GARANTIE PRÉCISE LES RECOURS EXCLUSIFS DONT VOUS DISEPOSEZ À L'ÉGARD DU PRODUIT, QUE LA DEMANDE SOIT FONDÉE SUR UN CONTRAT OU DÉLIT (Y COMPRIS RESPONSABILITÉ ABSOLUE OU NÉGLIGENCE) OU AUTRE. LA PRÉSENTE GARANTIE REMPLACE TOUTES LES AUTRES GARANTIES, EXPRESSES OU IMPLICITES. TOUTES GARANTIES IMPLICITES AUX TERMES DE LA LOI, QUE SE SOIT LES GARANTIES DE QUALITÉ MARCHANDE OU D'APTITUDE À UN USAGE PARTICULIER, OU AUTRES, SONT LIMITÉES DANS LE TEMPS À LA DURÉE DE CETTE GARANTIE LIMITÉE EXPRESSE. LE FABRICANT NE SERA EN AUCUN CAS RESPONSABLE DE DOMMAGES CONSÉCUTIFS, SPÉCIAUX, ACCESSOIRES, INDIRECTS OU DE « PERTES COMMERCIALES » ET / OU DE DOMMAGES PUNITIFS, DE PERTES OU DE DÉPENSES, Y COMPRIS SANS S'Y LIMITER, ABSENCE DU TRAVAIL, FRAIS D'HÔTEL ET / OU FRAIS DE RESTAURANT, FRAIS DE REMANIEMENT EN EXCÉDENT DES

DOMMAGES DIRECTS QUI SONT DÉFINITIVEMENT CAUSÉS EXCLUSIVEMENT PAR BOSCH, OU AUTREMENT. CERTAINS ÉTATS N'AUTORISENT PAS L'EXCLUSION OU LA LIMITATION DE DOMMAGES ACCESSOIRES OU CONSÉCUTIFS, ET CERTAINS ÉTATS N'AUTORISENT PAS LA LIMITATION DE LA DURÉE DES GARANTIES IMPLICITES. PAR CONSÉQUENT, LES EXCLUSIONS OU LES LIMITES SUSMENTIONNÉES POURRAIENT NE PAS VOUS CONCERNER. LA PRÉSENTE GARANTIE VOUS DONNE DES DROITS PRÉCIS RECONNUS PAR LA LOI ET VOUS POUVEZ ÉGALEMENT AVOIR D'AUTRES DROITS QUI VARIENT D'UN ÉTAT À L'AUTRE. Aucune tentative de modifier, changer ou amender la présente garantie ne peut être valide sans le consentement écrit autorisé par un dirigeant de BSH.

11.6 Obtention du service de garantie

Pour obtenir le service de garantie de votre produit, vous devez contacter le service client Bosch au 1-800-944-2904 pour planifier une réparation.

11.7 Information sur le produit

Pour référence pratique, copiez l'information ci-après de la plaque signalétique. Conservez votre facture et/ou vos documents de livraison pour la validation de la garantie.

Numéro de modèle
(E-Nr.)

Numéro de
fabrication (FD)

Date de livraison

Tabla de contenidos

1 INSTRUCCIONES DE SEGURIDAD	
IMPORTANTES.....	30
1.1 Definiciones de seguridad.....	30
1.2 Información general.....	30
1.3 Uso seguro.....	30
1.4 Seguridad infantil.....	33
1.5 Instalación y mantenimiento correctos.....	33
1.6 Advertencias en virtud de la Proposición 65 del estado de California.....	34
2 Prevención de daños materiales.....	35
3 Protección del medio ambiente y ahorro.....	35
3.1 Consejos para la eliminación del embalaje.....	35
3.2 Ahorrar energía.....	35
4 Modos de funcionamiento.....	35
4.1 Modo evacuación exterior de aire.....	35
4.2 Modo de recirculación de aire.....	35
5 Familiarizándose con el aparato.....	36
5.1 Aparato.....	36
5.2 Elementos de control.....	36
5.3 Manejo básico.....	37
6 Limpieza y cuidados.....	38
6.1 Productos de limpieza.....	38
6.2 Limpiar el aparato.....	38
6.3 Retirar el filtro antigrasa.....	38
6.4 Colocar los filtros antigrasa.....	39
6.5 Reemplazar opcionalmente el filtro de carbón.....	39
7 Solución de problemas.....	40
8 Accesorios.....	40
9 Eliminación.....	40
9.1 Eliminación de los aparatos usados.....	40
10 Servicio de atención al cliente.....	40
10.1 Número de modelo (E-Nr.) y número de fabricación (FD).....	41
10.2 Ubicación de la placa de características del aparato.....	41
11 DECLARACIÓN DE GARANTÍA LIMITADA DEL PRODUCTO.....	41
11.1 Qué cubre esta garantía y a quiénes se aplica.....	41
11.2 Plazo de vigencia de la garantía.....	41
11.3 Reparación/Reemplazo como único recurso.....	41
11.4 Producto fuera de garantía.....	42
11.5 Exclusiones de la garantía.....	42
11.6 Obtener el servicio técnico de la garantía.....	43
11.7 Información del producto.....	43



INSTRUCCIONES DE SEGURIDAD IMPORTANTES

LEA Y CONSERVE ESTAS INSTRUCCIONES

Leer atentamente todas las instrucciones antes de proceder con el uso del aparato. Para reducir el riesgo de incendio, descarga eléctrica y lesiones personales al utilizar el aparato, se deben tomar precauciones de seguridad básicas, incluidas las que se detallan en las siguientes instrucciones de seguridad.

1.1 Definiciones de seguridad

Aquí puede encontrar explicaciones de las palabras de señal de seguridad utilizadas en este manual.

ADVERTENCIA

Esto indica que pueden producirse la muerte o heridas graves si no se cumple con esta advertencia.

PRECAUCIÓN

Esto indica que pueden producirse heridas leves o moderadas si no se cumple con esta advertencia.

AVISO:

Esto indica que pueden producirse daños en el aparato o en los bienes si no se cumple con este aviso.

Nota: Esto alerta sobre información o sugerencias importantes.

1.2 Información general

Esta sección ofrece información general sobre el presente manual.

- Leer detenidamente el presente manual.
- Tener en cuenta los avisos y las instrucciones de seguridad.
- Conservar el manual y la información del producto en un lugar seguro para futuras referencias o para el siguiente propietario.
- Comprobar posibles daños en el aparato una vez desempaquetado. No conectar el aparato si este ha sufrido algún daño durante el transporte.

Este aparato está diseñado para su uso hasta un máximo de 6,560 pies (2000 metros) por encima del nivel del mar.

1.3 Uso seguro

ADVERTENCIA

Este aparato nuevo ha sido diseñado para ofrecer un uso seguro y confiable si recibe el cuidado adecuado.

- ▶ Leer atentamente todas las instrucciones antes de usarlo. Si se toman estas precauciones, se reducirán los riesgos de quemaduras, descarga eléctrica, incendios y lesiones personales.
- ▶ Al utilizar aparatos de cocina, se deben tomar precauciones de seguridad básicas, incluidas las que se detallan en las páginas siguientes.

PRECAUCIÓN

Solo para ventilación general.

- ▶ No utilizar para la extracción de sustancias o vapores peligrosos o explosivos.

ADVERTENCIA

PARA REDUCIR EL RIESGO DE INCENDIO POR LA GRASA EN LA ESTUFA

- ▶ No desatender el aparato cuando se cocine a alta temperatura. Los derrames causan humo y se puede prender la grasa derramada. Calentar el aceite lentamente, con temperaturas bajas o medias.
- ▶ Siempre encienda la campana extractora al cocinar a una temperatura alta.
- ▶ Limpiar los ventiladores con frecuencia. No debe permitirse que se acumule grasa en el ventilador o el filtro.
- ▶ Utilizar un sartén de tamaño adecuado. Utilizar siempre recipientes apropiados para el tamaño de la superficie.
- ▶ No flambear alimentos (por ejemplo: crepes suzette, cerezas de jubileo o peppercorn beef flambé) bajo la campana extractora ni trabajar con una llama directa. Cuando está encendida, la campana extractora atrae las llamas hacia el filtro. ¡Existe riesgo de incendio debido a la grasa acumulada en el filtro!

Podría producirse un incendio durante la cocción.

- ▶ Se debe disponer en todo momento de un detector de humo en funcionamiento cerca de la cocina.
- ▶ Se debe tener a mano un extintor de incendios adecuado en un área fácilmente visible y accesible cerca del aparato.

En caso de que se prenda fuego a la ropa o al pelo, es preciso rodar por el suelo inmediatamente para extinguir las llamas.



INSTRUCCIONES DE SEGURIDAD IMPORTANTES

LEA Y CONSERVE ESTAS INSTRUCCIONES

No usar agua para apagar fuegos causados por grasa.

- ▶ Sofocar el fuego o la llama, o usar un polvo químico o un extintor de espuma.

Existe riesgo de incendio, si la limpieza no se realiza de acuerdo con las instrucciones del apartado de limpieza y mantenimiento → *Página 38*. Los depósitos de grasa en el filtro antigrasa pueden incendiarse.

- ▶ Limpiar el filtro antigrasa cada dos meses como mínimo o más a menudo si es necesario.
- ▶ No utilizar nunca el electrodoméstico sin el filtro antigrasa.

La grasa acumulada en el filtro antigrasa puede incendiarse.

- ▶ No trabajar nunca con una llama directa cerca del aparato (p. ej., flambeados).
- ▶ Instalar la unidad cerca de un aparato que produzca calor con combustibles sólidos (por ejemplo, leña o carbón) solo si dispone de una cubierta cerrada y no desmontable. No deben volar chispas.

Cuando las zonas de cocción de gas funcionan sin utensilios de cocina encima, pueden generar gran cantidad de calor. Esto puede dañar o incendiar el aparato de ventilación situado encima de la placa de cocción.

- ▶ Utilizar los quemadores de gas solamente si tienen encima recipientes para cocinar.

Durante el uso simultáneo de varios quemadores de gas se genera gran cantidad de calor. El aparato de ventilación instalado encima podría sufrir daños o incendiarse.

- ▶ No utilizar simultáneamente durante más de 15 minutos dos quemadores de gas con una llama grande.
- ▶ Un quemador grande de más de 17 000 BTU/h (5 kW) (wok) equivale a la potencia de dos quemadores de gas.

Utilizar varias zonas de cocción de gas simultáneamente da lugar a una cantidad elevada de calor. Esto puede dañar o incendiar el aparato de ventilación.

- ▶ El aparato de ventilación solo se debe usar en combinación con zonas de cocción que no excedan la potencia máxima total de hasta 61 000 BTU/h (18 kW). Si se superan los 41 000 BTU/h (12 kW), deben respetarse las regulaciones locales relativas a la ventilación de estancias, al tamaño de las mismas y a la combinación con dispositivos de ventilación en funcionamiento de extracción y recirculación.

El aceite caliente y la grasa se prenden fuego rápidamente.

- ▶ No dejar nunca aceite y grasa calientes sin supervisión.

- ▶ No apagar nunca un incendio con agua.
- ▶ Apague la posición de cocción.
- ▶ Sofoque las llamas con cuidado con una tapa, una manta no inflamable o un objeto similar.

ADVERTENCIA

Las zonas accesibles se calientan durante el funcionamiento.

- ▶ No tocar nunca las zonas calientes.
- ▶ Mantener alejados a los niños.

Asegurarse de que todo el aparato (incluidos los filtros antigrasa y los focos, si procede) se haya enfriado y la grasa se haya solidificado antes de intentar limpiar cualquier parte del aparato.

ADVERTENCIA

No utilizar ninguna campana extractora con el cable o el enchufe dañados.

- ▶ Desechar el ventilador o entregarlo a un proveedor de servicio técnico autorizado para su inspección o reparación.

No tender el cable por debajo de alfombras.

- ▶ No cubrir el cable con alfombras, tapetes ni similares.
- ▶ No pasar el cable por debajo de muebles o electrodomésticos.
- ▶ Tender el cable alejado de la zona de paso y en un lugar donde no implique peligro de tropiezo.

ADVERTENCIA

Los objetos colocados sobre el aparato podrían caerse.

- ▶ No colocar ningún objeto sobre el aparato.

Almacenamiento en el interior del aparato o sobre él: el uso de productos químicos corrosivos para el calentamiento o la limpieza podría deteriorar el aparato y causar lesiones personales.

- ▶ No deben guardarse ni usarse en el interior del horno ni tampoco sobre las unidades de superficie o en sus proximidades materiales inflamables, agentes químicos corrosivos, vapores o productos no alimentarios.
- ▶ El aparato está especialmente diseñado para calentar o cocinar alimentos.

Este aparato ha sido diseñado únicamente para un uso doméstico normal. No está aprobado para su uso en exteriores. Véase la declaración de garantía limitada del producto. En caso de duda, contactar con el fabricante.



INSTRUCCIONES DE SEGURIDAD IMPORTANTES

LEA Y CONSERVE ESTAS INSTRUCCIONES

ADVERTENCIA

PARA REDUCIR EL RIESGO DE LESIONES PERSONALES EN CASO DE INCENDIO OCASIONADO POR GRASA EN LA COCINA, SEGUIR ESTAS INDICACIONES.^a

- ▶ SOFOCAR LAS LLAMAS con una tapa que ajuste correctamente, una charola para galletas u otra bandeja de metal; a continuación, apagar el quemador. ASEGÚRESE DE PREVENIR LAS QUEMADURAS. Si las llamas no se apagan de inmediato, EVACUAR EL ÁREA Y LLAMAR A LOS BOMBEROS.
 - ▶ NO LEVANTAR UN SARTÉN EN LLAMAS BAJO NINGÚN CONCEPTO; hay riesgo de sufrir quemaduras.
 - ▶ NO UTILIZAR AGUA ni trapos o toallas húmedos: podría producirse una explosión de vapor violenta.
 - ▶ Se puede utilizar un extintor SOLAMENTE SI SE CUMPLE LO SIGUIENTE:
 - se conoce a ciencia cierta la disponibilidad de un extintor de la clase ABC y se conoce la forma de utilizarlo;
 - el incendio es pequeño y se limita al área donde se originó;
 - se llama a los bomberos;
 - puede combatir el fuego con la espalda hacia una salida;
- ^aBasado en "Kitchen Fire Safety Tips" publicado por la NFPA.

ADVERTENCIA

El sistema de ventilación podría absorber las llamas.

- ▶ Siempre que sea posible, evitar el uso del sistema de ventilación si se produce un incendio en la placa de cocción. No obstante, no se debe atravesar el fuego con la mano para intentar apagarlo.

ADVERTENCIA

La luz emitida por la iluminación LED deslumbra bastante y puede dañar los ojos.

- ▶ No mirar directamente a las luces LED encendidas durante más de 100 segundos continuos.

ADVERTENCIA

La penetración de humedad puede causar una descarga eléctrica.

- ▶ No utilizar limpiadores por chorro de vapor ni de alta presión para limpiar el aparato.

ADVERTENCIA

PARA REDUCIR EL RIESGO DE INCENDIO, DESCARGA ELÉCTRICA O LESIONES PERSONALES, ES PRECISO CUMPLIR CON LAS INDICACIONES SIGUIENTES:

- ▶ Utilizar esta unidad solo de la manera prevista por el fabricante. En caso de duda, ponerse en contacto con el fabricante.
→ "Servicio de atención al cliente", *Página 40*
- ▶ Antes de limpiar o proceder al mantenimiento de la unidad, apagar el interruptor de electricidad en el panel de servicio y bloquear el dispositivo de desconexión para evitar que se encienda accidentalmente. Si el dispositivo de desconexión no se puede bloquear, colocar alguna advertencia visible, como una nota, en el panel de servicio.

ADVERTENCIA

Para reducir el riesgo de incendio o descarga eléctrica, no utilice este ventilador con ningún dispositivo de control de velocidad de estado sólido.

ADVERTENCIA

Un aparato dañado o un cable de conexión defectuoso son peligrosos.

- ▶ No poner nunca en funcionamiento un aparato dañado.
- ▶ No jalar nunca el cable de conexión a la red eléctrica para desenchufar el aparato. Desenchufar siempre el cable de conexión de red de la toma de corriente.
- ▶ Si el aparato o el cable de conexión de red están dañados, desenchufar inmediatamente el cable de conexión de red o desconectar el fusible de la caja de fusibles.
- ▶ Avisar al servicio de atención al cliente. → *Página 40*

ADVERTENCIA

Al cocinar los alimentos, pueden liberarse pequeñas cantidades de ciertos subproductos, como partículas/ hollín. Para reducir la exposición a estas sustancias:

- ▶ Asegurar siempre una ventilación adecuada mediante el uso de un ventilador o campana extractora apropiados, con salida al exterior y/o una ventana abierta.
- ▶ Utilizar la unidad siempre de forma acorde con las instrucciones de este manual.



INSTRUCCIONES DE SEGURIDAD IMPORTANTES

LEA Y CONSERVE ESTAS INSTRUCCIONES

ADVERTENCIA

Los materiales calentados en exceso pueden causar incendios o quemaduras y pueden producir humo o vapores potencialmente nocivos.

- ▶ Para evitar el calentamiento en exceso, encender la campana extractora cuando se calienten grasas o se frían a fuego medio o alto.
- ▶ Evitar calentar ollas y sartenes vacías.
- ▶ No deje hervir líquidos en recipientes hasta su evaporación completa.
- ▶ Es preciso evitar que materiales como el papel de aluminio, el plástico, el papel o la tela entren en contacto con un elemento superficial de calentamiento, con una parrilla o con una rejilla.

ADVERTENCIA

No dejar bajo ninguna circunstancia la placa de cocción desatendida durante su uso. Desatender el cocinado con grasas o aceites en una placa de cocción puede ser peligroso y podría causar un incendio. Los derrames provocan humo y salpicaduras de aceite que pueden incendiarse.

1.4 Seguridad infantil

Este aparato no está diseñado para ser utilizado por personas (incluidos niños) con capacidades físicas, sensoriales o mentales reducidas, o falta de experiencia y conocimiento, a menos que sean supervisados o instruidos acerca del uso del aparato por una persona responsable de su seguridad.

Cuando los niños tienen la edad adecuada para utilizar el electrodoméstico, es responsabilidad de los padres o tutores legales asegurarse de que reciban las instrucciones sobre prácticas seguras por parte de personas calificadas.

Se debe vigilar a los niños para asegurarse de que no jueguen con el aparato.

ADVERTENCIA

No permitir que los niños usen este aparato a menos que sean supervisados de cerca por un adulto.

- ▶ Los niños y las mascotas no deben dejarse solos o desatendidos en la zona donde el aparato esté en uso. No se les debe permitir nunca jugar en sus inmediaciones, independientemente de que el aparato esté o no en uso.

No debe permitirse que nadie se suba, se pare, se recline, se siente o se cuelgue de cualquier parte de un aparato.

PRECAUCIÓN

No guardar artículos que puedan atraer la atención de los niños en gabinetes por encima de un aparato o en la parte trasera de un electrodoméstico. Si un niño trepa por un aparato para llegar a alguno de estos elementos, podría sufrir lesiones graves.

ADVERTENCIA

Retirar toda la cinta y el embalaje antes de usar el aparato.

- ▶ Destruir el embalaje después de desembalar el aparato.
- ▶ Desechar el embalaje de manera respetuosa con el medio ambiente.
- ▶ No dejar nunca que los niños jueguen con el material de embalaje.

1.5 Instalación y mantenimiento correctos

ADVERTENCIA

En caso de funcionamiento erróneo, podría ser necesario desconectar el suministro eléctrico.

- ▶ Hay que solicitar al instalador que le muestre la ubicación del breaker del circuito o del fusible. Marcarla para recordarla más fácilmente.

Para evitar el peligro de descarga eléctrica, antes de realizar cualquier tipo de mantenimiento en el aparato, desconectar el suministro eléctrico en el panel de servicio y bloquear el panel para impedir que se conecte accidentalmente.

Instalación adecuada: una instalación o una puesta a tierra erróneas pueden causar descargas eléctricas.

- ▶ Este aparato debe ser correctamente instalado y puesto a tierra por un técnico calificado.
- ▶ Se debe conectar únicamente a una toma de corriente debidamente conectada a tierra.
- ▶ Para más detalles, consultar las instrucciones de instalación.

Mantenimiento por parte del usuario: No reparar ni modificar parte alguna del aparato a menos que se recomiende específicamente en este manual.

- ▶ Un proceder incorrecto con la instalación, el servicio técnico o el mantenimiento podría causar lesiones o daños materiales.
- ▶ Consultar este manual como guía.
- ▶ Cualquier otra tarea de mantenimiento debe de ser efectuada por un proveedor de servicios de mantenimiento autorizado.



INSTRUCCIONES DE SEGURIDAD IMPORTANTES

LEA Y CONSERVE ESTAS INSTRUCCIONES

ADVERTENCIA

Las superficies ocultas pueden tener bordes afilados.

- ▶ Proceder con cuidado al intentar sujetar el aparato por la parte trasera o desde abajo.

ADVERTENCIA

Un funcionamiento erróneo puede causar lesiones.

- ▶ No utilizar este aparato si no funciona correctamente o si ha sufrido daños; ponerse en contacto con un profesional autorizado.

ADVERTENCIA

La habitación deberá contar con una ventilación adecuada al utilizar la campana de extracción al mismo tiempo que aparatos que queman gas u otros combustibles.

- ▶ El funcionamiento seguro es posible siempre que la presión en la habitación donde esté instalado el quemador no supere los 4 Pa (0.04 mbar).
- ▶ Esto puede lograrse facilitando el flujo de aire de combustión a través de aperturas no bloqueables, por ejemplo, puertas, ventanas o a través de la caja separadora de admisión/extracción de aire, o mediante la toma de otras medidas técnicas, como la interconexión recíproca, etc.

PRECAUCIÓN

La grasa acumulada en los filtros puede volver a derretirse y entrar en la abertura de ventilación.

ADVERTENCIA

Evite el envenenamiento por monóxido de carbono: proporcione una toma de aire adecuada para que los gases de combustión no vuelvan a entrar en la habitación. Una caja separadora de admisión/extracción de aire por sí sola no garantiza que no se supere el valor límite.

- ▶ Nota: Al evaluar los requisitos generales, debe tenerse en cuenta el sistema de ventilación combinado de toda la vivienda. Esta regla no se aplica al uso de aparatos de cocina, como placas de cocción y hornos.

ADVERTENCIA

Para reducir el riesgo de incendio, descarga eléctrica o lesiones a las personas, no utilizar partes de refacción que no hayan sido recomendadas por el fabricante (p. ej., partes fabricadas en casa con una impresora 3D).

1.6 Advertencias en virtud de la Proposición 65 del estado de California

Este producto puede contener un químico que el Estado de California reconoce como potencialmente cancerígeno o causante de daños reproductivos. Por tanto, su producto debe llevar en su embalaje la siguiente etiqueta de conformidad con la legislación de California:

ADVERTENCIA EN VIRTUD DE LA PROPOSICIÓN 65 DEL ESTADO DE CALIFORNIA:

⚠ ADVERTENCIA

Cáncer y daño reproductivo - www.P65Warnings.ca.gov

2 Prevención de daños materiales

AVISO:

La condensación puede provocar daños por corrosión.

- ▶ Para evitar que se forme condensación, encender el aparato durante el cocinado.

La entrada de humedad en los controles puede provocar daños.

- ▶ No limpiar nunca los controles con un paño mojado.

Una limpieza inadecuada daña las superficies.

- ▶ Deben seguirse las instrucciones de limpieza.
- ▶ No utilizar detergentes fuertes o abrasivos.
- ▶ Limpiar las superficies de acero inoxidable exclusivamente en la dirección del acabado.
- ▶ No limpiar nunca los controles con limpiadores de acero.

El retorno de agua condensada puede dañar el aparato.

- ▶ Para evitar el retorno de condensados, montar el tubo de salida de aire del aparato con una inclinación de 1°.

Existe riesgo de daños en la superficie si no se despega la película protectora.

- ▶ Retirar la película protectora de todas las piezas del aparato antes de usarlo por primera vez.

3 Protección del medio ambiente y ahorro

3.1 Consejos para la eliminación del embalaje

Todos los materiales del embalaje son ecológicos y reciclables.

- ▶ Desechar los diferentes materiales separados según su naturaleza.

3.2 Ahorrar energía

Si tiene en cuenta estas indicaciones, su aparato consumirá menos corriente.

Limpiar o sustituir los filtros en los intervalos indicados, o tan frecuentemente como sea necesario.

- ✓ De este modo, se mantiene la eficacia de los filtros.

Apagar la iluminación si no se necesita.

- ✓ Si la iluminación está apagada, no consume energía.

Colocar la tapa de cocción.

- ✓ El vapor de cocción y la condensación se reducen.

Solamente utilice las funciones adicionales si es necesario.

- ✓ Desactivar las funciones adicionales disminuye el consumo energético.

4 Modos de funcionamiento

El aparato puede utilizarse en funcionamiento con evacuación exterior de aire o en funcionamiento con recirculación de aire.

4.1 Modo evacuación exterior de aire

Los filtros antigrasa limpian el aire aspirado y lo transportan al exterior a través de un sistema de tubos.



No se debe extraer el aire a una chimenea que se utilice para evacuar humos de aparatos que queman gas u otros combustibles (esto no se aplica a aparatos que solo devuelven aire a la estancia).

- Si el aire de salida se necesita transportar a una chimenea de humos o gas que no funciona, debe obtenerse primero el permiso del técnico de calefacción responsable.
- Si el aire de salida se transporta por medio de la pared exterior, se debe utilizar un pasamuros telescópico.

4.2 Modo de recirculación de aire

Los filtros antigrasa y los filtros antiolores limpian el aire aspirado y lo transportan a la estancia de nuevo.



Para retener los olores en modo de recirculación de aire, debe instalarse un filtro antiolores. Las diferentes opciones para el funcionamiento del aparato en el modo de recirculación de aire se encuentran en nuestro catálogo. Si lo prefiere, consulte a su distribuidor. Los accesorios necesarios están disponibles en tiendas especializadas, en el servicio de atención al cliente o en la tienda en línea.

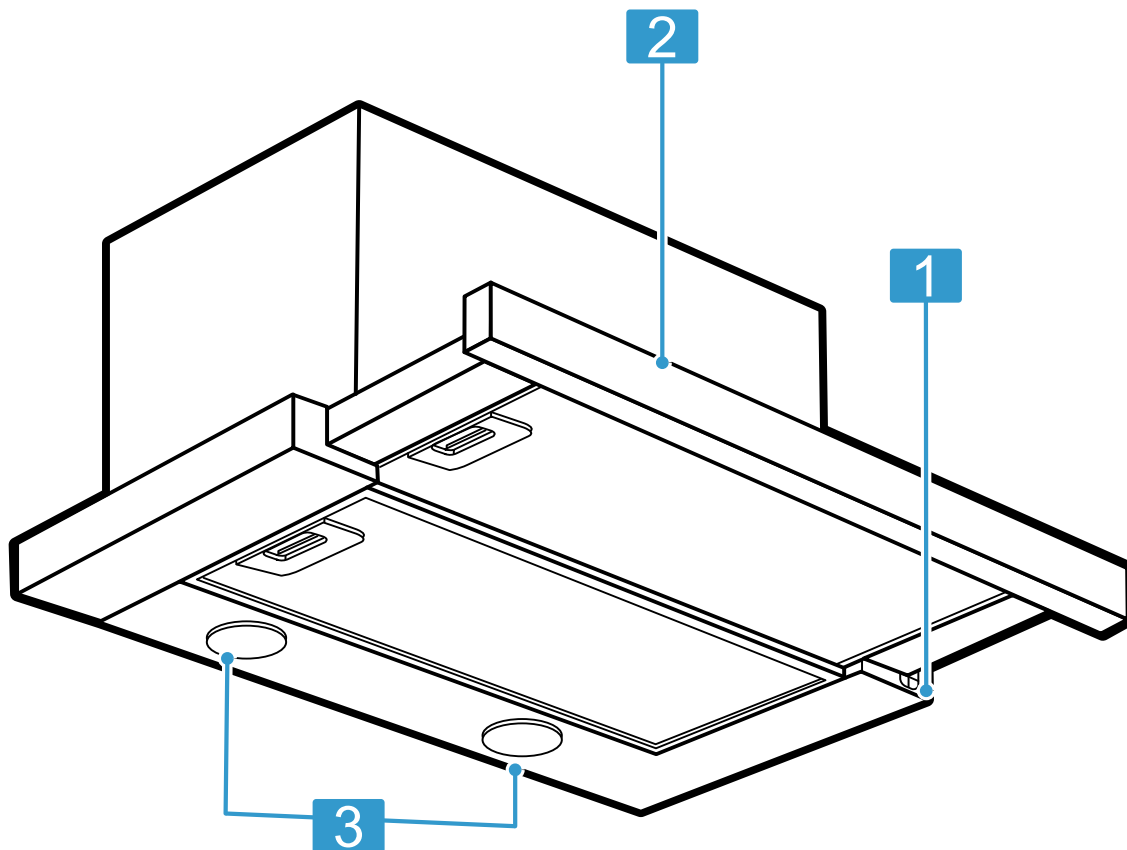
→ "Accesorios", *Página 40*

Cuando se use en modo de recirculación, usar solo el modelo de filtro de carbón para reducir el riesgo de incendio o descarga eléctrica HVREC5UC.

5 Familiarizándose con el aparato

5.1 Aparato

Aquí encontrará una vista general de los componentes de su aparato.



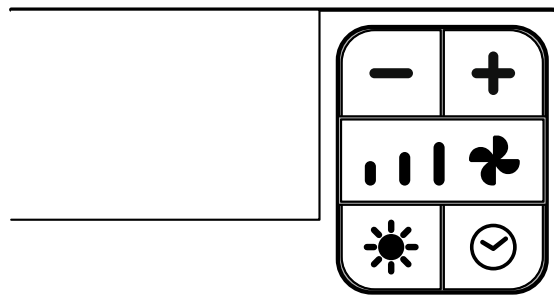
1 Iluminación LED

2 Extracción del filtro

3 Panel de control

5.2 Elementos de control

Se puede utilizar el panel de control para configurar todas las funciones de su aparato y obtener información sobre el estado de funcionamiento.



—	Disminuir la potencia del ventilador
+	Aumentar la potencia del ventilador
☀	Encender la iluminación
🕒	Funcionamiento del ventilador

5.3 Manejo básico

Extracción del filtro

Extraer la corredera del filtro

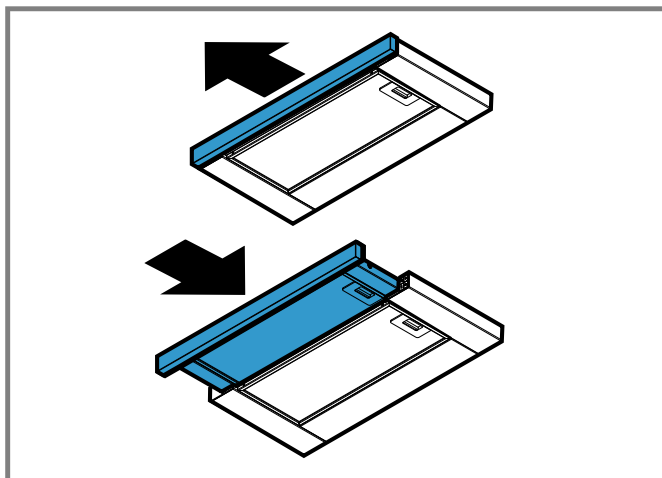
Nota: El aparato se enciende con las funciones que estaban establecidas cuando la corredera estaba cerrada.

- ▶ Sostener la corredera del filtro por la parte central y extraerla.
- ✓ El panel de control es accesible y el aparato está listo para el funcionamiento.

Introducir la corredera del filtro

Nota: La ventilación se apaga cuando la corredera se cierra, la iluminación sigue encendida.

- ▶ Sostener la corredera del filtro por la parte central e introducirla.



Encender el ventilador

Nota: Ajustar siempre la potencia del ventilador en función de las condiciones actuales. Si hay una gran acumulación de vapor o humos, seleccionar un ajuste de potencia alto para el ventilador.

1. Presionar +.
- ✓ La configuración actual del ventilador se indica mediante una barra en el panel indicador.
2. Presionar las teclas + o — para cambiar los ajustes del ventilador.

Apagar el ventilador

- ▶ Presionar repetidamente la tecla — hasta que el ventilador se apague.

Activar el nivel intensivo

En caso de fuertes olores y vapores, utilizar el nivel intensivo.

- ▶ Oprimir la tecla + mientras el aparato está en el nivel de ventilación 3.
- ✓ Se muestra ✦.
- ✓ Transcurridos 5 minutos, el sistema electrónico vuelve a situarse automáticamente en el nivel de ventilación 2.

Desactivar el nivel intensivo

- ▶ Presionar — hasta alcanzar el ajuste necesario.

Encender la iluminación

La iluminación puede encenderse y apagarse independientemente de la ventilación.

- ▶ Presionar ☀.

Indicador de saturación

La saturación del filtro de metal antigrasa o del filtro de carbón activado se representa en el panel indicador:

- Filtro antigrasa: el nivel de ventilación 3 y el ajuste intensivo parpadean alternadamente.
- Filtro antiolores: el nivel de ventilación 3 y el ajuste intensivo parpadean simultáneamente.

Si aún no se ha hecho, los filtros antigrasa de malla metálica deben limpiarse o el filtro de carbón activo debe cambiarse ahora.

Para obtener instrucciones sobre cómo limpiar los filtros antigrasa de malla metálica, consultar la sección → "Limpieza y cuidados", *Página 38*.

Restablecer los indicadores de saturación

- ▶ Mantener presionado 🕒.

Cambiar al modo de recirculación en el panel indicador

Para el funcionamiento en modo de recirculación se debe cambiar el indicador del control electrónico de la forma correspondiente:

Requisito: La campana extractora debe estar conectada a la red eléctrica y apagada.

1. Oprimir a la vez las teclas + y — hasta que se iluminen brevemente los niveles de ventilación 1 y 2 en el panel indicador.
2. Para que el panel indicador de control electrónico vuelva al modo de aire de salida presionar repetidamente la combinación de teclas.
- ✓ Se enciende brevemente el nivel 1 de ventilación en el panel.

6 Limpieza y cuidados

Para que el aparato mantenga durante mucho tiempo su capacidad funcional, debe mantenerse y limpiarse con cuidado.

6.1 Productos de limpieza

Puede adquirir productos de limpieza adecuados en el servicio postventa o en la tienda en línea.

AVISO:

Los productos de limpieza inadecuados pueden dañar la superficie del aparato.

- ▶ No utilizar agentes agresivos ni abrasivos.
- ▶ No utilizar productos de limpieza con un alto contenido de alcohol.
- ▶ No utilizar estropajos ni esponjas de fibra dura.
- ▶ Utilizar únicamente limpiadores y espátulas para cristal o productos para el cuidado de acero inoxidable si así lo recomiendan las instrucciones de limpieza de la parte correspondiente.
- ▶ Lavar meticulosamente las esponjas y los trapos antes de usarlos.

6.2 Limpiar el aparato

Limpiar el aparato según se indica. Esto garantizará que las distintas partes y superficies del aparato no se dañan por una limpieza inadecuada o por el uso de productos no adecuados.

⚠ ADVERTENCIA

Los productos de limpieza alcalinos altamente corrosivos o los altamente ácidos usados en piezas de aluminio del interior del aparato pueden provocar explosiones.

- ▶ Nunca utilizar productos de limpieza alcalinos altamente corrosivos o altamente ácidos. Concretamente, no utilizar productos de limpieza comerciales o industriales en piezas de aluminio, p. ej., filtros antigrasa en la campana extractora.

⚠ ADVERTENCIA

La penetración de humedad puede causar una descarga eléctrica.

- ▶ Antes de proceder con la limpieza, hay que desconectar el enchufe o los fusibles de la caja de fusibles.
- ▶ No utilizar limpiadores por chorro de vapor ni de alta presión para limpiar el aparato.

⚠ ADVERTENCIA

El aparato se calienta durante el funcionamiento.

- ▶ Dejar que el aparato se enfríe antes de proceder a su limpieza.

⚠ ADVERTENCIA

Los componentes del interior del aparato pueden tener bordes afilados.

- ▶ Limpiar con cuidado el interior del aparato.

1. Tener presente la información relativa a los productos de limpieza.
2. Limpiar según se indica a continuación dependiendo de la superficie:
 - Limpiar las superficies de acero inoxidable en la dirección del acabado utilizando una esponja y un paño con agua jabonosa caliente.
 - Limpiar las superficies pintadas utilizando una esponja y un paño humedecidos en agua jabonosa caliente.
 - Limpiar las partes de aluminio utilizando un paño suave y un limpiador para cristales.
 - Limpiar las partes de plástico utilizando un paño suave y un limpiador para cristales.
 - Limpiar las partes de vidrio utilizando un paño suave y un limpiador para cristales.
3. Secar con un paño suave.
4. Aplicar una capa fina de producto de limpieza para acero inoxidable en las superficies de este material utilizando un paño suave.

Puede adquirir productos de limpieza para acero inoxidable en el servicio postventa o en la tienda en línea.

6.3 Retirar el filtro antigrasa

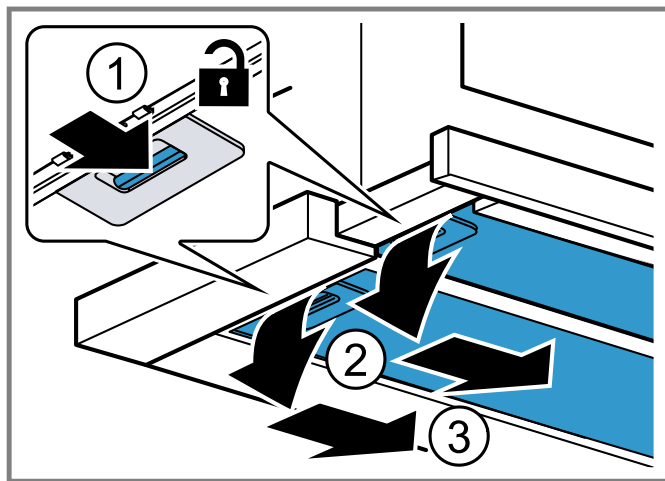
1. **AVISO:** La caída de los filtros antigrasa puede dañar la hornilla.
 - ▶ Mantener sujeto el filtro antigrasa por debajo con una mano.

Abrir el pestillo y plegar el filtro antigrasa.

Simultáneamente, sujetar con la otra mano por debajo el filtro antigrasa.

2. **Nota:** La grasa puede acumularse en la parte inferior del filtro antigrasa. No sujetar el filtro metálico antigrasa en ángulo, de lo contrario goteará la grasa.

Extraer el filtro antigrasa del soporte.



3. Limpiar el filtro.
4. Tras extraer los filtros se debe limpiar cuidadosamente el aparato por dentro.

6.4 Colocar los filtros antigrasa

AVISO:

La caída de los filtros antigrasa puede dañar la hornilla.

- ▶ Mantener sujeto el filtro antigrasa por debajo con una mano.

1. Colocar los filtros antigrasa.
2. Plegar los filtros antigrasa hacia arriba y accionar los bloqueos.
3. Asegurarse de que los bloqueos queden accionados.

6.5 Reemplazar opcionalmente el filtro de carbón

Consultar las instrucciones de montaje para obtener más información sobre el filtro antiolores.

- El filtro antiolores no se puede limpiar. Se debe sustituir cada 4-6 meses (en función del uso de la campana extractora).
- No enjuagar ni poner el filtro antiolores en un lavavajillas automático.

7 Solución de problemas

Usted mismo puede solucionar los errores menores de su aparato. Lea la información acerca de cómo solucionar los errores antes de contactar con Atención al Cliente. Así podrá evitar visitas de reparación innecesarias.

ADVERTENCIA

Es peligroso realizar reparaciones de forma inadecuada.

- ▶ Las reparaciones solo deben ser realizadas por un proveedor de servicio técnico autorizado.

- ▶ Si el cable de conexión de red de este aparato resulta dañado, éste debe ser sustituido por el fabricante, por el servicio de atención al cliente o por una persona cualificada a fin de evitar posibles situaciones de peligro.
- ▶ Solo se pueden utilizar repuestos originales para reparar el aparato.
- ▶ Si el aparato presenta un problema, llamar al Servicio al cliente.

Falla	Causas y resolución de problemas
El aparato no funciona.	El enchufe del cable de alimentación no está conectado. <ul style="list-style-type: none"> ▶ Conecte el aparato a la red eléctrica.
	El fusible de la caja de fusibles se ha disparado. <ul style="list-style-type: none"> ▶ Comprobar el fusible de la caja de fusibles.
	Se interrumpió el suministro de corriente eléctrica. <ul style="list-style-type: none"> ▶ Compruebe si funciona la iluminación ambiental y otros aparatos en la habitación.
La iluminación LED no funciona.	Son posibles diferentes causas. <ul style="list-style-type: none"> ▶ Solo el fabricante del aparato, el servicio de atención al cliente o un técnico debidamente calificado (electricista) pueden sustituir las luces LED fundidas. ▶ Ponerse en contacto con el → "Servicio de atención al cliente", <i>Página 40</i>.

8 Accesorios

Puede adquirir los accesorios en el servicio de atención al cliente, en comercios especializados o en Internet. Utilice solo accesorios originales, ya que están adaptados a la perfección a su aparato.

Los accesorios son específicos del aparato. Al comprarlos, indique siempre la denominación exacta (E-Nr.) de su aparato. → *Página 41*

La información relativa a los accesorios para su aparato está disponible en nuestro catálogo, a través del servicio de atención al cliente o en la tienda en línea.

www.bosch-home.com

Accesorios	Número de pedido
Filtro antiolores	HVREC5UC

9 Eliminación

9.1 Eliminación de los aparatos usados

Mediante una eliminación respetuosa con el medio ambiente se pueden reutilizar materias primas valiosas.

1. Desenchufar el cable de conexión a la red de la toma de corriente.
2. Separar el cable de conexión a la red.
3. Desechar el aparato de manera respetuosa con el medio ambiente.

Su distribuidor o el ayuntamiento local puede proporcionarle información sobre las vías y posibilidades actuales de desecho de materiales.

10 Servicio de atención al cliente

En cada reparación cubierta por la garantía, nos aseguramos de que su aparato sea reparado con repuestos originales por un proveedor de servicio capacitado y autorizado. Solo utilizamos repuestos originales para todos los tipos de reparaciones.

Las informaciones detalladas sobre el periodo de validez de la garantía y las condiciones de garantía las podrá encontrar en nuestras condiciones de garantía, con su distribuido o en nuestra página web.

Cuando se ponga en contacto con el servicio de atención al cliente, no olvide indicar el número de modelo (E-Nr.) y el número de fabricación (FD) de su aparato.

Las fuentes de luz se encuentran disponibles como repuesto y su sustitución solo la puede llevar a cabo personal cualificado.

USA:

1-800-944-2904

www.bosch-home.com/us/owner-support/get-support

www.bosch-home.com/us/shop

CA:

1-800-944-2904

www.bosch-home.ca/en/service/get-support

www.bosch-home.ca/en/service/cleaners-and-accessories

10.1 Número de modelo (E-Nr.) y número de fabricación (FD)

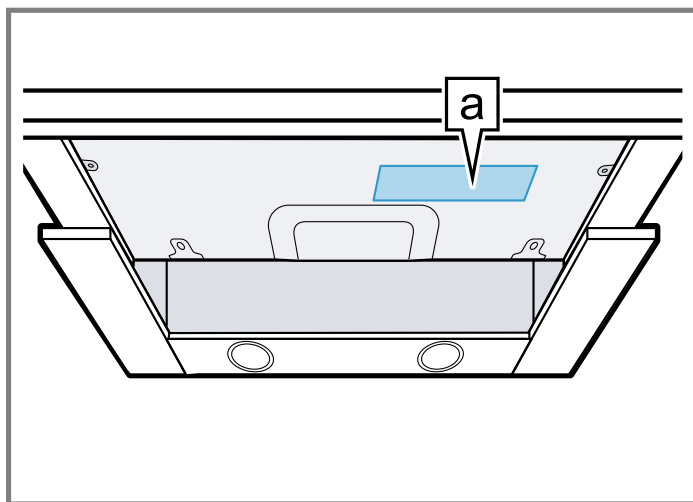
El número de modelo (E-Nr.) y el número de fabricación (FD) se encuentran en la placa de características del aparato.

Para volver a encontrar rápidamente los datos del aparato o el número de teléfono del servicio de atención al cliente, puede anotar dichos datos.

10.2 Ubicación de la placa de características del aparato

Puede encontrar la placa de características del aparato:

- Dentro del aparato (extraer los filtros antigrasa para acceder).



a Placa de características

11 DECLARACIÓN DE GARANTÍA LIMITADA DEL PRODUCTO

11.1 Qué cubre esta garantía y a quiénes se aplica

La garantía limitada otorgada por BSH Home Appliances («Bosch») en esta Declaración de Garantía Limitada del Producto se aplica únicamente al aparato Bosch vendido a usted («Producto»), el primer comprador usuario, condicionada estrictamente a que el Producto haya sido comprado:

- Para uso doméstico normal (no comercial) y haya sido utilizado en todo momento únicamente para fines domésticos normales.
- Nuevo en una tienda minorista autorizada de BSH o directamente de BSH (que no sea un producto de exhibición ni un producto vendido «en las condiciones en que se encuentre» ni un modelo devuelto anteriormente) y que no esté destinado a reventa ni uso comercial.
- Dentro de los Estados Unidos o Canadá, y que haya permanecido en todo momento dentro del país de compra original.

La garantía descrita aquí es válida para el comprador original del producto cubierto por esta garantía y para todo usuario posterior del producto, adquirido para un uso doméstico, durante el término de la garantía.

Asegurarse de registrar su producto; si bien no es necesario para hacer efectiva la cobertura de la garantía, es la mejor manera de que Bosch pueda enviar una notificación en el caso poco probable de que se emita un aviso de seguridad o se retire del mercado un producto.

11.2 Plazo de vigencia de la garantía

Bosch garantiza que el producto no tiene defectos de materiales ni de mano de obra durante un período de trescientos sesenta y cinco (365) días a partir de la fecha de entrega original. Dicho período comienza a contar a partir de la fecha de entrega original y no se interrumpirá, dejará sin efecto, extenderá ni suspenderá por ningún motivo. También se garantiza que este Producto no presenta defectos **estéticos** en el material ni en la mano de obra (como rayas en el acero inoxidable, imperfecciones en la pintura/porcelana, desportilladuras, astillas, abolladuras ni ningún otro daño en el acabado) del Producto durante un período de treinta (30) días desde la fecha de entrega o fecha de cierre para una nueva construcción. Se excluyen de esta garantía por defectos **estéticos** las variaciones leves de color que se deban a diferencias inherentes a las piezas pintadas y de porcelana, así como diferencias provocadas por la iluminación de la cocina, la ubicación del producto u otros factores similares. Se excluye específicamente de esta garantía por defectos **estéticos** cualquier electrodoméstico en exposición, de piso, vendido «en el estado en que se encuentra» o de segunda selección.

11.3 Reparación/Reemplazo como único recurso

Durante el período de esta garantía, Bosch o uno de sus proveedores de servicio técnico autorizados reparará el producto sin cargo (sujeto a determinadas limitaciones especificadas en el presente) si se prueba que el producto ha sido fabricado con un defecto en los materiales o en la mano de obra. Si se ha intentado de manera razonable reparar el Producto sin éxito, Bosch reemplazará el Producto (es posible llegar a disponer de modelos mejorados, a entera discreción de Bosch, por un cargo adicional). Esta garantía no establece que las piezas dañadas o defectuosas se reemplacen por piezas de diferente tipo o diseño a las originales. Todas las partes y los componentes retirados serán propiedad de Bosch, a su entera discreción. Todas las partes reemplazadas y/o reparadas se considerarán como la parte original a los fines de esta garantía y esta garantía no se extenderá con respecto a dichas partes. En virtud del presente documento, la exclusiva responsabilidad y obligación de Bosch es únicamente reparar el Producto defectuoso de fábrica, a través de un proveedor de servicio técnico autorizado por Bosch, durante el horario normal de oficina. Por cuestiones de seguridad y daños materiales,

Bosch recomienda categóricamente no intentar reparar el Producto por cuenta propia ni usar un proveedor de servicio técnico no autorizado; Bosch no tendrá ninguna responsabilidad ni obligación por daños ocasionados por reparaciones o trabajos realizados por un proveedor de servicio técnico no autorizado. Los proveedores de servicio técnico autorizados son aquellas personas o compañías que han sido especialmente capacitadas para manejar los productos de Bosch y que tienen, según el criterio de Bosch, una reputación superior de servicio de atención al cliente y capacidad técnica (tenga en cuenta que son entidades independientes y no son agentes, socias, afiliadas ni representantes de Bosch). Sin embargo, llevar su producto a un taller de reparación que no esté afiliado o a un distribuidor autorizado de Bosch no anulará esta garantía. Además, el uso de piezas de terceros no anulará esta garantía. Independientemente de lo antedicho, Bosch no tendrá responsabilidad ni obligación alguna por el Producto que se encuentre en un área remota (a más de 100 millas de un proveedor de servicio técnico autorizado) o en un lugar, área circundante o entorno que no sean accesibles por medios razonables o que sean peligrosos, hostiles o arriesgados; en ese caso, a su solicitud, Bosch de todas maneras pagará por la mano de obra y las partes, y enviará las partes al proveedor de servicio técnico autorizado más cercano, pero el cliente seguirá siendo totalmente responsable por el tiempo de viaje y demás cargos especiales de la compañía de servicio técnico, siempre que esta acepte realizar la visita de servicio técnico. Además, en la medida en que haya instalado el producto en una ubicación de difícil acceso o haya instalado accesorios temporales o permanentes que creen barreras para acceder o retirar el producto, Bosch no incurrirá en ninguna responsabilidad por el trabajo o los costos asociados con el traslado del producto o la creación de acceso al producto para repararlo o reemplazarlo. Todos estos costos serán responsabilidad exclusiva de usted.

11.4 Producto fuera de garantía

Bosch no tiene obligación alguna, en virtud de la ley ni por otro motivo, de otorgarle ninguna concesión, incluidos reparaciones, prorratesos o reemplazo del Producto, con posterioridad al vencimiento de la garantía.

11.5 Exclusiones de la garantía

La cobertura de garantía descrita en el presente documento excluye todos los defectos o daños que no fueron provocados directamente por Bosch, incluidos, entre otros, alguno de los siguientes:

- Uso del Producto de maneras distintas del uso normal, habitual y previsto (incluidos, entre otros, cualquier forma de uso comercial, uso o almacenamiento en exteriores de un producto diseñado para interiores, uso del Producto en aeronaves o embarcaciones).
- Conducta indebida, negligencia, uso indebido, abuso, accidentes, descuido, operación inadecuada, omisión de mantenimiento, instalación inadecuada o negligente,

adulteración, omisión de seguir las instrucciones de operación, manipulación inadecuada, servicio técnico no autorizado (incluidos «arreglos» o exploración de los mecanismos internos del aparato realizados por uno mismo) por parte de cualquier persona.

- Ajuste, alteración o modificación de cualquier tipo.
- Incumplimiento de los códigos, reglamentaciones o leyes de electricidad, plomería y/o construcción estatales, locales, municipales o de condado, incluida la omisión de instalar el producto cumpliendo estrictamente con los códigos y reglamentaciones locales de construcción y protección contra incendios.
- Desgaste habitual, derrames de alimentos, líquidos, acumulaciones de grasa u otras sustancias que se acumulen sobre el Producto, dentro o alrededor de este.
- Cualquier fuerza y factor externo, elemental y/o ambiental, incluidos, entre otros, lluvia, viento, arena, inundaciones, incendios, aludes de lodo, temperaturas bajas extremas, humedad excesiva o exposición prolongada a la humedad, rayos, sobrecargas eléctricas, fallos estructurales alrededor del aparato y catástrofes naturales.
- Llamadas al servicio técnico para subsanar la instalación del Producto, enseñar al usuario a usar el Producto, reemplazar los fusibles domésticos o subsanar el cableado o las instalaciones de fontanería.
- Extracción y sustitución de recortes o paneles decorativos que interfieran con el mantenimiento del Producto.
- Daños o defectos provocados por la mano de obra o piezas instaladas por cualquier proveedor de servicio técnico no autorizado, a menos que este último haya sido aprobado por Bosch antes de realizar el servicio.

En ningún caso Bosch tendrá responsabilidad ni obligación alguna por los daños ocasionados a los bienes circundantes, incluidos los gabinetes, pisos, techos y demás estructuras u objetos que se encuentren alrededor del Producto. También se excluyen de esta garantía los Productos en los cuales los números de serie hayan sido alterados, modificados o eliminados; las visitas del servicio técnico para enseñarle a usar el Producto o las visitas en las que se determine que no hay ningún problema con el Producto; la corrección de los problemas de instalación (usted es el único responsable de cualquier estructura y soporte del Producto, incluidas todas las instalaciones de electricidad y plomería o demás instalaciones de conexión, de la correcta instalación en bases/pisos, y de cualquier alteración, incluidos, a modo de ejemplo, gabinetes, paredes, pisos, repisas, etc.); y el restablecimiento de breakers o fusibles.

EN LA MEDIDA PERMITIDA POR LA LEY, ESTA GARANTÍA ESTABLECE SUS RECURSOS EXCLUSIVOS CON RESPECTO AL PRODUCTO, INDEPENDIENTEMENTE DE QUE LA RECLAMACIÓN SEA CONTRACTUAL O EXTRA CONTRACTUAL (INCLUIDA LA RESPONSABILIDAD OBJETIVA O LA NEGLIGENCIA), O DE CUALQUIER OTRO TIPO. ESTA GARANTÍA REEMPLAZA TODAS LAS DEMÁS

GARANTÍAS EXPRESAS O IMPLÍCITAS. LAS GARANTÍAS IMPLÍCITAS POR LEY, YA SEA DE COMERCIALIZACIÓN O DE APTITUD PARA UN FIN ESPECÍFICO, O DE CUALQUIER OTRO TIPO, TENDRÁN VIGENCIA ÚNICAMENTE POR EL PERÍODO DE VIGENCIA DE LA PRESENTE GARANTÍA LIMITADA EXPRESA. EN NINGÚN CASO SERÁ EL FABRICANTE RESPONSABLE POR LOS DAÑOS CONSECUENTES, ESPECIALES, Y/O DAÑOS PUNITIVOS, PÉRDIDAS O GASTOS, INCLUIDOS, ENTRE OTROS, TIEMPO FUERA DEL TRABAJO, HOTELES O COMIDAS EN RESTAURANTES, GASTOS DE REMODELACIÓN QUE SUPEREN LOS DAÑOS DIRECTOS, QUE DEFINITIVAMENTE HAYAN SIDO PROVOCADOS DE MANERA EXCLUSIVA POR BOSCH O DE OTRA MANERA. ALGUNOS ESTADOS NO PERMITEN LA EXCLUSIÓN O LIMITACIÓN DE DAÑOS INCIDENTALES O CONSECUENTES, Y ALGUNOS ESTADOS NO PERMITEN LIMITACIONES CON RESPECTO AL PLAZO DE VIGENCIA DE UNA GARANTÍA IMPLÍCITA; POR LO TANTO, ES POSIBLE QUE LAS EXCLUSIONES O LIMITACIONES PRECEDENTES NO SE APLIQUEN. ESTA GARANTÍA OTORGA DERECHOS LEGALES ESPECÍFICOS, Y TAMBIÉN PUEDEN CORRESPONDERLE OTROS DERECHOS QUE PUEDEN VARIAR SEGÚN EL ESTADO.

Ningún intento de alterar, modificar o enmendar la presente garantía será válido, a menos que fuera autorizado por escrito por un ejecutivo de BSH.

11.6 Obtener el servicio técnico de la garantía

Para obtener el servicio de garantía para su producto, debe comunicarse con el Servicio de asistencia técnica de Bosch al 1-800-944-2904 para programar una reparación.

11.7 Información del producto

Para una referencia rápida, copiar la información que se encuentra a continuación de la placa de características. Conservar su factura y/o los documentos de entrega para la validación de la garantía.

Número de modelo
(E-Nr.)

Número de
fabricación (FD)

Fecha de entrega



Register your appliance to enjoy customized benefits.

Thank you for being a Bosch customer!
Simply create a MyBosch account, then register your appliance.
You'll find a variety of customized information in MyBosch such as:

- **Discounts for filters, cleaners, accessories & parts**
- **Easy access to manuals & appliance specifications**
- **Easy access to part lists**
- **Customized offer for the Bosch Appliance Service Plan (sent by mail after appliance registration)**

Register here:

www.bosch-home.com/us/owner-support/mybosch

BOSCH
HOME APPLIANCES
SERVICE

Looking for help? You'll find it here.

No matter what, no matter when: Bosch is here to support you.
We're here to assist with usage instructions, cleaning tips,
accessories & parts, troubleshooting, and repairs.
Find online resources such as FAQs, how-to-videos, manuals,
warranties and authorized Bosch servicers at:

www.bosch-home.com/us/owner-support/get-support

Contact us:

Please have your Model Number (E-Nr) ready when contacting us.

1-800-944-2904

www.bosch-home.com/us/owner-support/contact-us

BSH Home Appliances Corporation

1901 Main Street, Suite 600

Irvine, CA 92614

USA

www.bosch-home.com

1-800-944-2904

© 2024 BSH Home Appliances Corporation



9001967537 (040808)

en-us, fr-ca, es-mx