



BOSCH

Register your
appliance and join
the Bosch
family of perks:
[bosch-home.com/us/
mybosch](https://bosch-home.com/us/mybosch)



Microwave

HMVP054U

[en-us] Installation Instructions Microwave
[es-mx] Instrucciones de instalación Microondas

2
17

Table of contents

1 Microwave energy	3
2 IMPORTANT SAFETY INSTRUCTIONS	4
2.1 Safety definitions.....	4
2.2 General information.....	4
2.3 General safety instructions.....	4
2.4 Appliance handling safety	5
2.5 Safety codes and standards.....	5
2.6 Electrical safety.....	5
2.7 GROUNDING INSTRUCTIONS	6
2.8 Microwave safety	6
2.9 State of California Proposition 65 Warnings	6
3 Checklist for installation	7
4 Before you begin	7
4.1 Removing packaging.....	7
4.2 Parts included	7
4.3 Tools and parts needed	8
4.4 Power requirements and grounding	8
5 Location requirements	8
5.1 Installation dimensions	8
5.2 Appliance dimensions	9
6 Electrical installation - GROUNDING INSTRUCTIONS	10
6.1 Electrical requirements.....	10
6.2 Electrical connection	10
7 Installation procedure	10
7.1 Removing the mounting plate.....	10
7.2 Finding the wall studs.....	10
7.3 Preparing the rear wall	11
7.4 Attaching the mounting plate to the wall	11
7.5 Adapting the microwave blower	12
7.6 Preparing the cabinet	14
7.7 Mounting the appliance	14
7.8 Hood exhaust.....	15
8 Testing the operation	16
9 Customer Service	16
9.1 Model number (E-Nr.) and production number (FD)	16
9.2 Rating plate location.....	16

1 Microwave energy

⚠ PRECAUTIONS TO AVOID POSSIBLE EXPOSURE TO EXCESSIVE MICROWAVE ENERGY

- (1) Do not attempt to operate this appliance with the door open, since open-door operation can result in harmful exposure to microwave energy. It is important not to defeat or tamper with the safety interlocks.
- (2) Do not place any object between the appliance front face and the door or allow soil or cleaner residue to accumulate on sealing surfaces.
- (3) Do not operate the appliance if it is damaged. It is particularly important that the appliance door close properly and that there is no damage to the:
 - door (bent)
 - hinges and latches (broken or loosened)
 - door seals and sealing surfaces.
- (4) The appliance should not be adjusted or repaired by anyone except authorized service personnel. Improper installation, service or maintenance can cause injury or property damage. Refer to this manual for guidance.
Refer all servicing to a factory authorized service provider.



IMPORTANT SAFETY INSTRUCTIONS

READ ALL INSTRUCTIONS BEFORE USING THE APPLIANCE

WARNING - Read all instructions carefully before use. These precautions will reduce the risk of burns, electric shock, fire, injury to persons, or exposure to excessive microwave energy. When using kitchen appliances, basic safety precautions must be followed including those in the following pages.

2.1 Safety definitions

Here you can find explanations of the safety signal words used in this manual.

WARNING

This indicates that death or serious injuries may occur as a result of non-observance of this warning.

CAUTION

This indicates that minor or moderate injuries may occur as a result of non-observance of this warning.

NOTICE:

This indicates that damage to the appliance or property may occur as a result of non-compliance with this advisory.

Note: This alerts you to important information and/or tips.

2.2 General information

Here you can find general information about this manual.

- Please read this manual carefully.
- Observe the safety instructions and warnings.
- Keep the manual and the product information in a safe place for future reference or for the next owner.
- Check the appliance for damage after unpacking it. Do not connect the appliance if it has been damaged in transit.

All product manuals may be downloaded online at www.bosch-home.com/us/owner-support/owner-manuals.

2.3 General safety instructions

Read these instructions before beginning the installation of your appliance.

IMPORTANT: SAVE THESE INSTRUCTIONS FOR THE LOCAL ELECTRICAL INSPECTOR'S USE.

INSTALLER: LEAVE THESE INSTRUCTIONS WITH THE APPLIANCE AFTER INSTALLATION IS COMPLETE.

WARNING

If the information in this manual is not followed exactly, fire or shock may result causing property damage or personal injury.

WARNING

When using electrical appliances basic safety precautions should be followed, including the following:

- ▶ Read all instructions before using the appliance.
- ▶ Read and follow the specific PRECAUTIONS TO AVOID POSSIBLE EXPOSURE TO EXCESSIVE MICROWAVE ENERGY found on → *Page 3*
- ▶ This appliance must be grounded. Connect only to properly grounded outlet. See → *"Electrical installation - GROUNDING INSTRUCTIONS", Page 10.*
- ▶ Install or locate this appliance only in accordance with the provided installation instructions.
- ▶ Some products such as whole eggs and sealed containers – for example, closed glass jars – are able to explode and should not be heated in this appliance.
- ▶ Use this appliance only for its intended use as described in the manual. Do not use corrosive chemicals or vapors in this appliance. This type of appliance is specifically designed to heat, cook, or dry food. It is not designed for industrial or laboratory use.
- ▶ **HOT CONTENTS CAN CAUSE SEVERE BURNS. DO NOT ALLOW CHILDREN TO USE THE MICROWAVE.** Use caution when removing hot items.
- ▶ Do not operate this appliance if it has a damaged cord or plug, if it is not working properly, or if it has been damaged or dropped.
- ▶ This appliance should be serviced only by an authorized service provider. Contact nearest authorized service provider for examination, repair, or adjustment.
- ▶ Do not cover or block any vents or openings on the appliance.
- ▶ Do not store this appliance outdoors. Do not use this product near water – for example, near a kitchen sink, in a wet basement, near a swimming pool, or similar locations.
- ▶ Do not immerse cord or plug in water.
- ▶ Keep cord away from heated surface.
- ▶ Do not let cord hang over edge of table or counter.

SAVE THESE INSTRUCTIONS.



IMPORTANT SAFETY INSTRUCTIONS

READ ALL INSTRUCTIONS BEFORE USING THE APPLIANCE

- ▶ When cleaning surfaces of door and appliance that come together on closing the door, use only mild, non-abrasive soaps, or detergents applied with a sponge or soft cloth. See door surface cleaning instructions.

WARNING

Do not repair, replace or remove any part of the appliance unless specifically recommended in the manuals. Improper installation, service or maintenance can cause injury or property damage.

- ▶ Refer to this manual for guidance.
 - ▶ All other servicing should be done by an authorized service provider.
- Never modify or alter the construction of the appliance.
- ▶ For example, do not remove leveling legs, panels, wire covers or anti-tip brackets/screws.

WARNING

Remove all tape and packaging before using the appliance.

- ▶ Dispose of packaging in an environmentally responsible manner.
- ▶ Never allow children to play with packaging material.

CAUTION

For general ventilating use only.

- ▶ To avoid a fire or explosion hazard, do not use to exhaust hazardous or explosive materials and vapors.

WARNING

Do not operate gas cooktop burners without pots in place. The open flame may overheat the appliance above.
TO REDUCE THE RISK OF FIRE, USE ONLY METAL DUCTWORK.

This appliance is suitable for use above gas or electric cooking equipment 36" (914 mm) or less wide.

2.4 Appliance handling safety

WARNING



Unit is heavy and requires at least two people or proper equipment to move.

- ▶ Do not lift appliance by door handle.

WARNING



Hidden surfaces may have sharp edges.

- ▶ Use caution when reaching behind or under appliance.

- ▶ Wear gloves to avoid cutting fingers on sharp edges during installation.

2.5 Safety codes and standards

This appliance complies with the latest version of one or more of the following standards:

- CAN/CSA C22.2 No. 150 - Microwave Ovens
- CAN/CSA C22.2 No. 61 - Household Cooking Ranges
- CSA C22.2 No. 64 - Household Cooking and Liquid-Heating Appliances
- UL 1026 - Electric Household Cooking and Food Serving Appliances
- UL 923 - Microwave Cooking Appliances
- UL 858 - Household Electric Ranges
- UL 507 - Electric Fans
- CAN/CSA C22.2 No. 113 - Fans and Ventilators

It is the responsibility of the owner and the installer to determine if additional requirements and/or standards apply to specific installations.

2.6 Electrical safety

- **Installer** - show the owner the location of the circuit breaker or fuse. Mark it for easy reference.
- If required by the National Electrical Code (or Canadian Electrical Code), this appliance must be installed on a separate branch circuit.
- Local codes vary. The installer is responsible for ensuring that the installation, connections, and grounding comply with all applicable codes. The manufacturer is not responsible for improper installation or the failure to follow appropriate local codes and regulations.
- Be sure your appliance is properly installed and grounded by a qualified technician. Installation, electrical connections and grounding must comply with all applicable codes.
- Refer to the rating plate for more information.
→ "Rating plate location", Page 16

WARNING

Before installing, turn power OFF at the service panel.

- ▶ Lock service panel to prevent power from being turned ON accidentally.

The appliance must be disconnected from the source of supply before attempting the installation.

SAVE THESE INSTRUCTIONS.



IMPORTANT SAFETY INSTRUCTIONS

READ ALL INSTRUCTIONS BEFORE USING THE APPLIANCE

For appliances equipped with a cord and plug, do not cut or remove the ground prong.

- ▶ It must be plugged into a matching grounding type receptacle to avoid electrical shock.
- ▶ If there is any doubt as to whether the wall receptacle is properly grounded, the customer should have it checked by a qualified electrician.

Before you plug in an electrical cord or turn on power supply, make sure all controls are in the OFF position.

2.7 GROUNDING INSTRUCTIONS

This appliance must be grounded. Grounding reduces the risk of electric shock by providing a safe pathway for electric current in the event of a short circuit.

This appliance must be grounded. Connect only to properly grounded outlet.

→ *"Electrical installation - GROUNDING INSTRUCTIONS", Page 10*

WARNING

IMPROPER GROUNDING CAN RESULT IN A RISK OF ELECTRIC SHOCK

- ▶ Consult a qualified electrician if the grounding instructions are not completely understood, or if doubt exists as to whether the appliance is properly grounded.
- ▶ DO NOT USE AN EXTENSION CORD.
- ▶ If the power supply cord is too short, have a qualified electrician install an outlet near the appliance.

This appliance is equipped with a cord having a grounding wire with a grounding plug. The plug must be plugged into an outlet that is properly installed and grounded.

2.8 Microwave safety

PRECAUTIONS TO BE OBSERVED BEFORE AND DURING SERVICING TO AVOID POSSIBLE EXPOSURE TO EXCESSIVE MICROWAVE ENERGY

- Do not operate or allow the appliance to be operated with the door open.
- Make the following safety checks on all appliances to be serviced before activating the magnetron or other microwave source, and make repairs as necessary:
 - Interlock operation
 - Proper door closing
 - Seal and sealing surfaces (arcing, wear, and other damage)

- Damage to or loosening of hinges and latches
- Evidence of dropping or abuse
- Before turning on microwave power for any service test or inspection within the microwave generating compartments, check the magnetron, wave guide or transmission line, and cavity for proper alignment, integrity, and connection.
- Any damaged or misadjusted components in the interlock, monitor, door seal, and microwave generation and transmission systems shall be repaired, replaced, or adjusted by procedures described in this manual before the appliance is released to the owner.
- A microwave leakage check to verify compliance with the Federal Performance Standard should be performed on each appliance prior to release to the owner.

2.9 State of California Proposition 65 Warnings

This product may contain a chemical known to the State of California, which can cause cancer or reproductive harm. Therefore, the packaging of your product may bear the following label as required by California:

STATE OF CALIFORNIA PROPOSITION 65 WARNING:

 **WARNING**

Cancer and Reproductive Harm - www.P65Warnings.ca.gov

3 Checklist for installation

Use this checklist to verify that you have completed each step of the installation process. This can help you avoid common mistakes.

Refer to detailed instructions for each step in the sections following this checklist. Always read and follow the complete installation instructions contained in this manual.

- Before installing the appliance, be sure to verify the cabinet dimensions are correct for your appliance and that the required electrical connections are present. Make sure the electrical cord provided on the appliance is able to reach to the point of connection.

→ "Location requirements", Page 8

→ "Electrical installation - GROUNDING INSTRUCTIONS", Page 10

- Move the appliance into place in front of the cabinet opening.
- Remove packaging materials, leaving the bottom packaging on the appliance to avoid damage to the floor.

→ "Removing packaging", Page 7

- Remove the mounting plate from the rear of the appliance.

→ "Removing the mounting plate", Page 10

- Find wall studs.

→ "Finding the wall studs", Page 10

- Attach the mounting plate to the wall.

→ "Attaching the mounting plate to the wall", Page 11

- Adapt the microwave blower.

→ "Adapting the microwave blower", Page 12

- Prepare the cabinet for mounting.

→ "Preparing the cabinet", Page 14

- At least two persons are needed to lift the appliance; tilt and hook the appliance to the holding plate.

→ "Mounting the appliance", Page 14

- Push the appliance all the way into place and fasten the holding screws through top cabinet holes.

→ "Mounting the appliance", Page 14

- Use correct hood exhaust.

→ "Hood exhaust", Page 15

- Test the appliance for proper functioning.

4 Before you begin

Read these instructions before you begin to install your appliance.

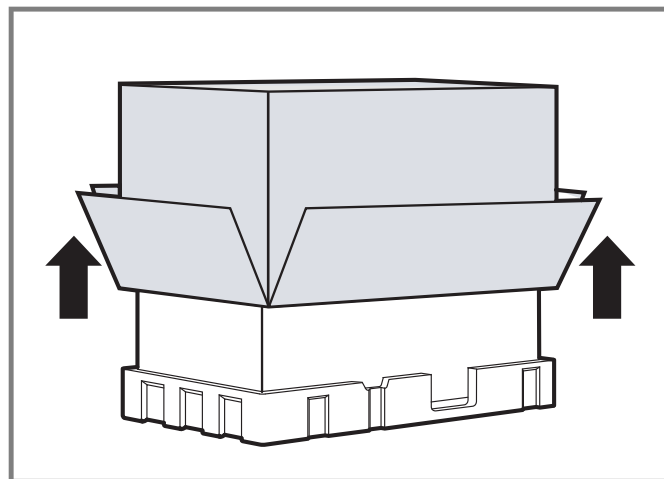
All graphics are representative. Your appliance may vary in appearance and features.

4.1 Removing packaging

NOTICE:

To avoid damage to the appliance, do not grip or use the door or door handle while the appliance is being moved.

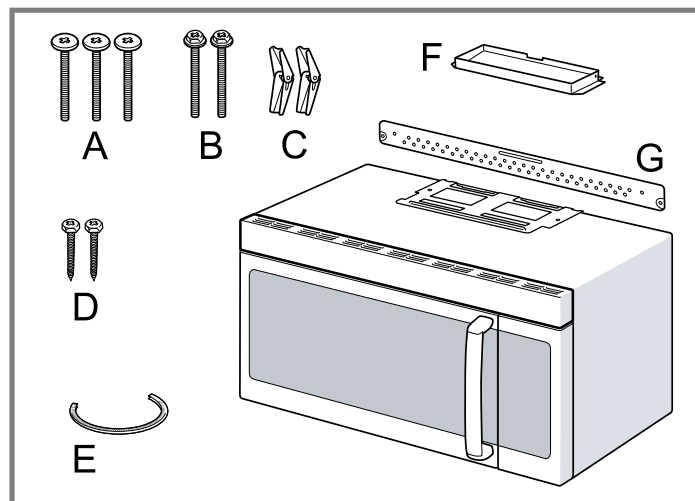
1. Remove filters, accessories and hardware. Do not remove the packaging protecting the front of the appliance.
2. Fold back all four carton flaps fully against carton sides.
3. Carefully roll the appliance and carton over onto the top side. The appliance should be resting in the Styrofoam.
4. Pull the carton up and off the appliance.



5. Cut the middle of the outer protective plastic bag to remove the mounting plate.

4.2 Parts included

After unpacking all the parts, check for any damage in transit and for completeness of delivery.



- A Top mounting bolts:
Self-aligning machine screws $\frac{1}{4}$ " - 28 x $3\frac{1}{4}$ "
- B Toggle bolts - $\frac{3}{16}$ " x 3"
- C Wall mounting hardware:
Toggle wings
- D Wood screws $\frac{1}{4}$ " x 2"

E	Nylon grommet (for metal cabinets)
F	Exhaust adapter
G	Mounting plate (attached to the back of the appliance)

Not shown:

- Top cabinet template
- Rear wall template
- Metal grease filters
- Charcoal filter (factory fitted in the appliance)

4.3 Tools and parts needed

Prepare these tools and accessories before you start to install your appliance.

- Cross head screwdriver
- Pencil
- Measuring tape
- Straight edge
- Drill
- Drill bits: 3/16", 1/2", 5/8"
- Safety gloves
- Saw (saber, hole or keyhole)
- Stud finder or hammer
- Safety glasses
- Level
- Aluminum tape (DO NOT use insulating or cloth duct tape)

Optional tools:

- Carpenter square
- Tin snips
- Scissors
- Filler blocks or scrap wood pieces (for recessed bottom cabinet installations)

4.4 Power requirements and grounding

The outlet must be properly grounded in accordance with all applicable codes.

The outlet can be installed anywhere inside the cabinet above the appliance, within reach of the power cord (approx. 24 in).

5 Location requirements

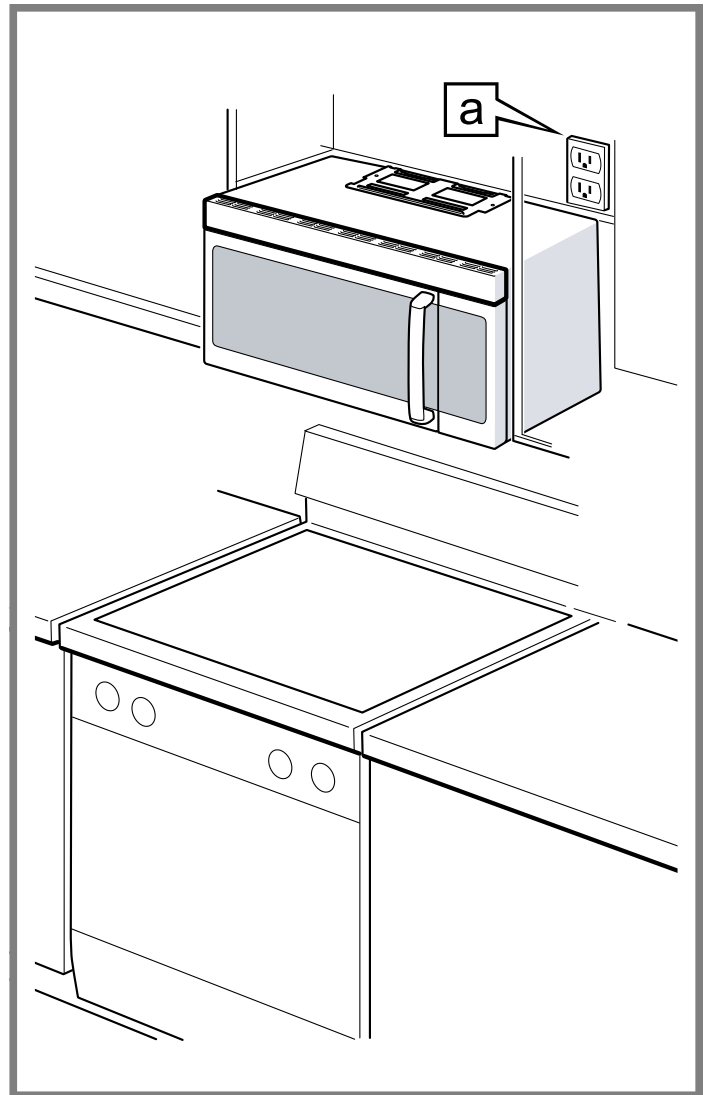
5.1 Installation dimensions

⚠ WARNING

This appliance must be mounted at a minimum height of 36" (914 mm).

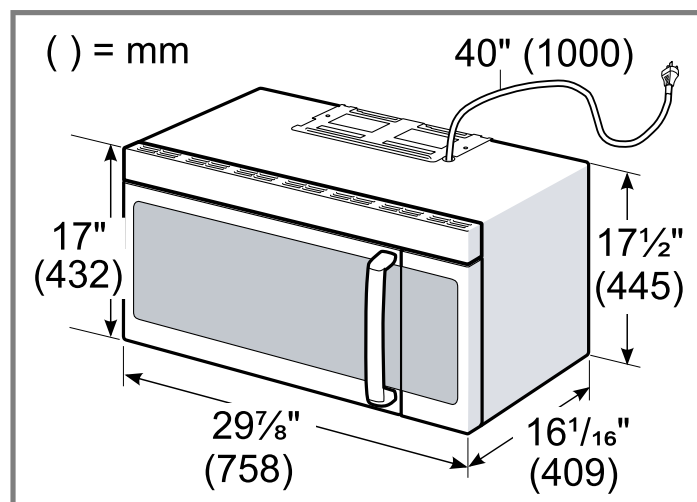
⚠ CAUTION

This appliance is to be mounted only above countertop level.

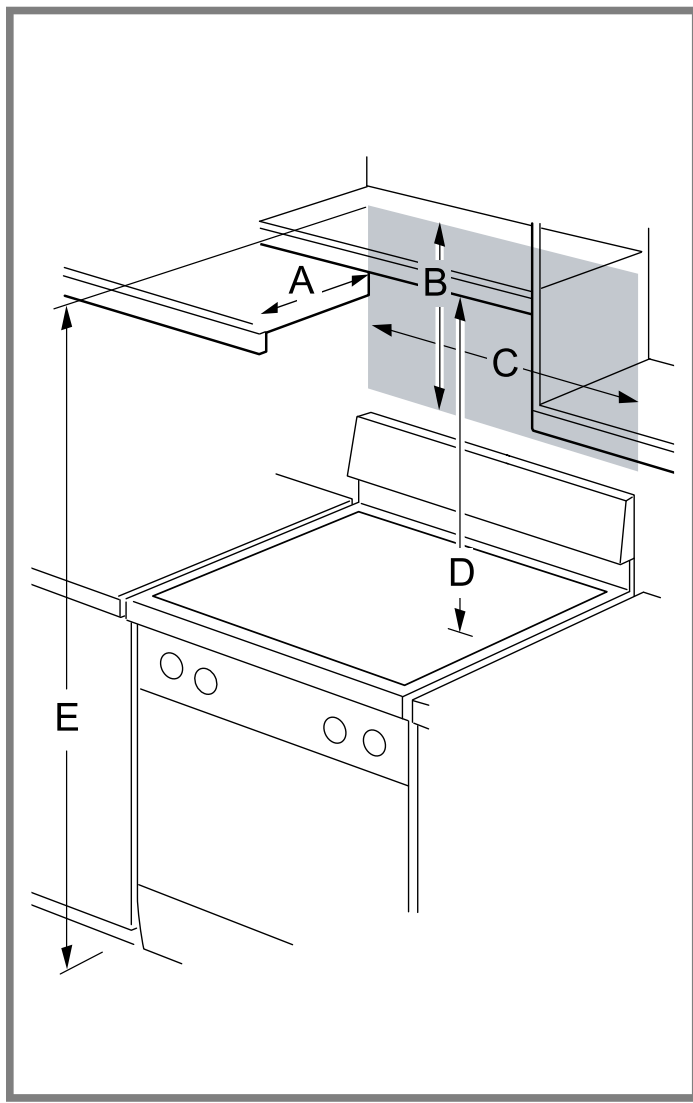


a Grounded 120V outlet located inside the cabinet above the appliance, right side shown as example.

5.2 Appliance dimensions



Note: Take into account that the front and rear measurements of the appliance are not identical.



A min. 12" (305 mm)
max. 14" (356 mm)

B min. 17 1/2" (446 mm)

C min. 30" (762 mm)
cabinet opening width

D min. 36" (915 mm)

E min 66" (1676 mm)

6 Electrical installation - GROUNDING INSTRUCTIONS

Read these instructions to safely connect your appliance to the electrical supply.

6.1 Electrical requirements

Make sure your electrical installation supports the following requirements.

⚠ WARNING

Electrical grounding instructions

- ▶ This appliance is equipped with a three-prong grounding plug for your protection against shock hazard and should be plugged directly into a properly grounded receptacle. **DO NOT** cut or remove the grounding prong from this plug.

Model	Connection	Circuit requirements
HMVP054U	NEMA 5-15	120 VAC / 60 Hz; 15 A

6.2 Electrical connection

⚠ WARNING

The voltage used must be the same as specified on this appliance. Using a higher voltage is dangerous and may result in a fire or appliance damage.

Electrical requirements:

- All 120 volt models must be plugged into a mating 3-prong, grounding-type receptacle.
- The receptacle must be connected to a properly dedicated grounded and polarized electrical power supply rated at 120 VAC, single phase, 60 Hz.
- 15 A electrical supply with a fuse or a circuit breaker.
- This product must be connected to a dedicated supply circuit of the proper voltage and frequency.
- Wire size must conform to the requirements of the National Electric Code or the prevailing local code for this rating.
- The power supply cord should be plugged into a separate 15 A single-phase grounded receptacle outlet.
- The outlet box should be located in the area behind the appliance.
 - "Installation dimensions", Page 8
- The outlet box and dedicated supply circuit should be installed by a qualified electrician and conform to the National Electrical Code or the prevailing local code.
- The voltage used must be the same as specified on the rating plate of this appliance.
 - "Rating plate location", Page 16. Using a higher voltage is dangerous and may result in a fire or appliance damage.
 - Using a lower voltage will cause slow cooking. The manufacturer is not responsible for any damages resulting from the use of the appliance with any voltage other than specified.
- The appliance should only be connected to a dedicated circuit (with ground) that has been installed according to relevant regulations.

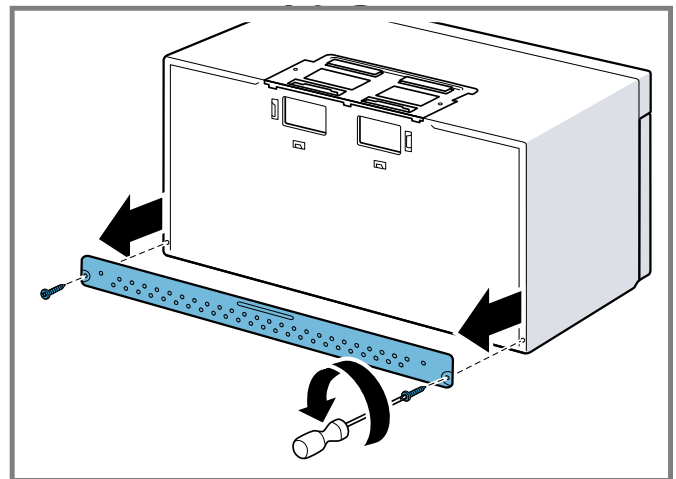
7 Installation procedure

7.1 Removing the mounting plate

NOTICE:

To avoid damage to the appliance, do not grip or use the door or door handle while the appliance is being moved. To avoid possible damage to the work surface or to the bottom of the appliance, cover the work surface.

1. Remove any remaining contents from the appliance cavity.
2. Remove the screws from the mounting plate.
 - The mounting plate will be used as the rear wall template and for mounting.



3. Reinstall the screws into the holes where they were removed.

7.2 Finding the wall studs

The appliance must be secured to at least one wall stud. If no wall studs exist within the cabinet opening, do not install the appliance.

1. Locate the edges of the wall studs within the cabinet opening by using:
 - a stud finder, or

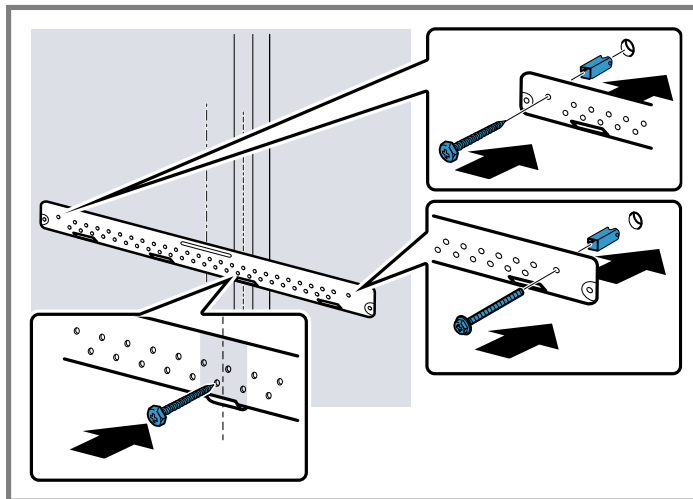
- a hammer; tap lightly across the mounting surface to find a solid sound
2. Place a mark halfway between the edges of the wall studs and draw a line down the center of the studs. See possible wallstuds configuration. → Page 11

Possible wall stud configurations

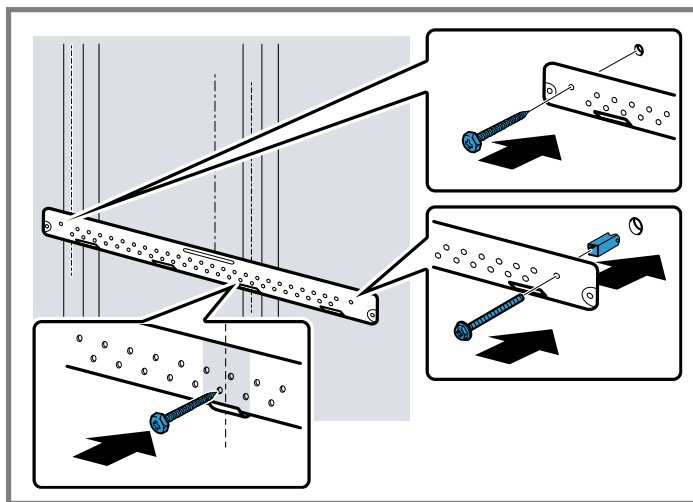
These depictions show examples of preferred installation configurations with the mounting plate.

No wall studs at corner holes

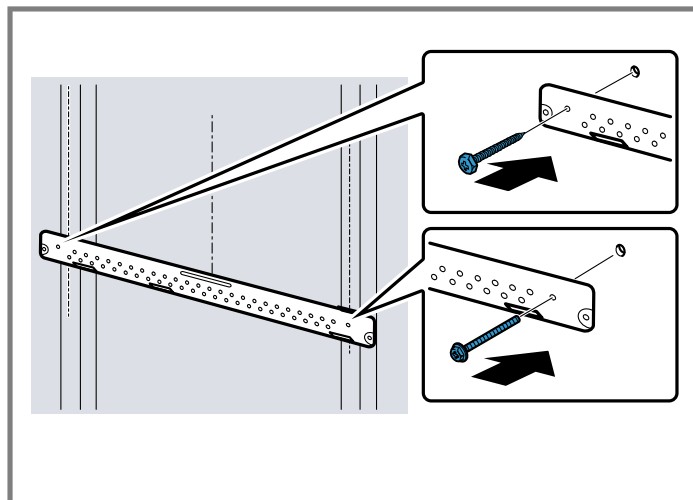
If the wall stud is within 6¼" (159 mm) of the vertical center line, only room venting (recirculation) or roof venting installations can be done.



Wall studs at one corner holes



No wall studs at both corner holes



7.3 Preparing the rear wall

1. Make sure the cabinet bottom is level.
2. Draw a vertical line on the wall at the center of the cabinet space.
3. **For cabinet with front overhang:** Draw a line on the back wall equal to the depth of the front overhang.
4. Tape the REAR WALL TEMPLATE onto the wall matching the centerline and touching the bottom of the cabinet or the level line.
5. Draw a horizontal line on the wall at the bottom of the REAR WALL TEMPLATE.
6. Drill holes at locations A and B on the REAR WALL TEMPLATE:

- 3/16" (5 mm) holes for wood screws (stud)
- 5/8" (16 mm) holes for toggle bolts (no stud)

If neither **A** nor **B** is in a stud, find a stud somewhere in the area of the mounting plate and drill a 3/16" (5 mm) hole.

It is important to use at least one wood screw mounted firmly in a stud to support the weight of the appliance.

7. **⚠ CAUTION** Wall venting installation:
 - ▶ If the exhaust adaptor is positioned outside consider the recommended dimensions, otherwise grease-laden air will discharge into the house structure.

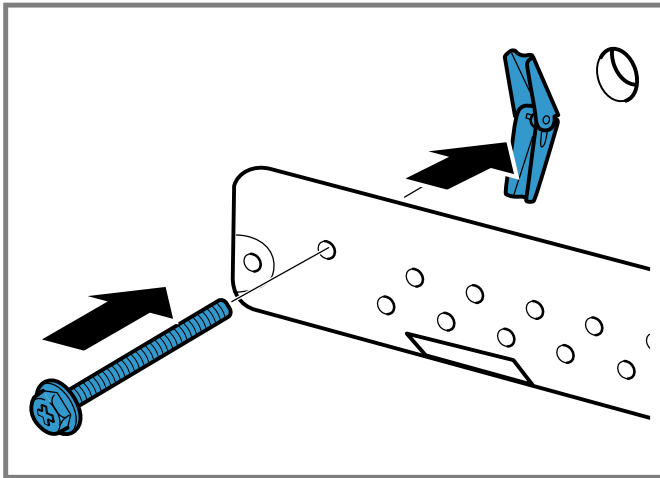
Wall venting installation only: Cut out the shaded area **F** on the REAR WALL TEMPLATE using a saber or keyhole saw.

8. Remove the REAR WALL TEMPLATE.

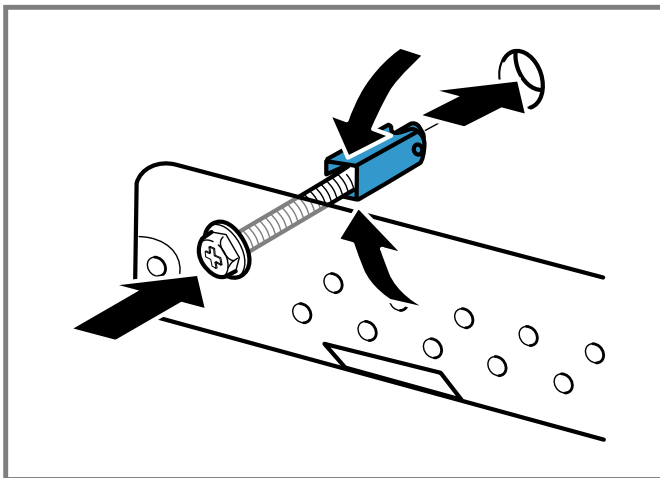
7.4 Attaching the mounting plate to the wall

1. Remove the toggle wings from the bolts.

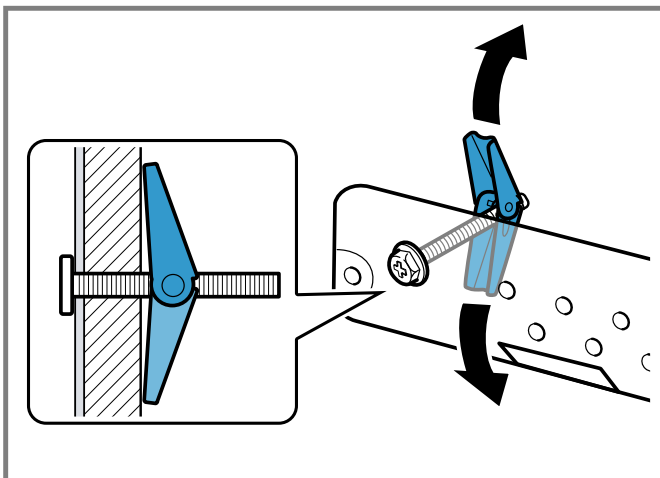
2. Insert the bolts into the mounting plate through the holes designated to go into drywall.



3. Attach the toggle wings from the back of the mounting plate onto each bolt. Leave enough space for the toggle wings to go through the wall and to open.



4. Place the mounting plate against the wall and push the bolts through the drywall.
5. Finger tighten the bolts to make sure the toggle wings have opened against the drywall.



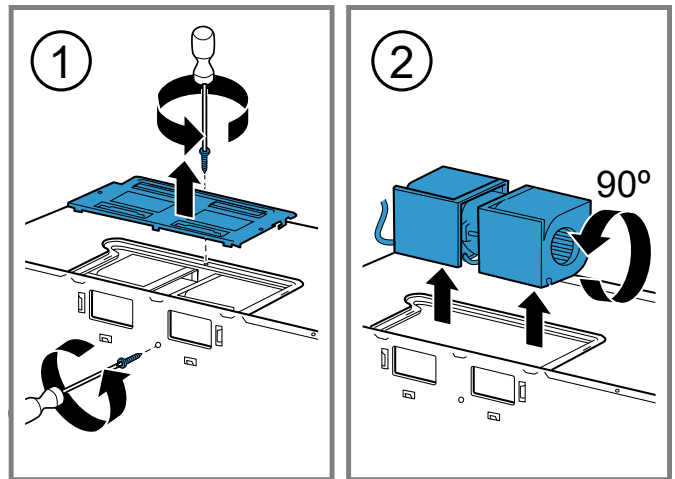
6. Verify that the mounting plate is properly centered and level.
7. Securely tighten all screws, including the wood screw.

7.5 Adapting the microwave blower

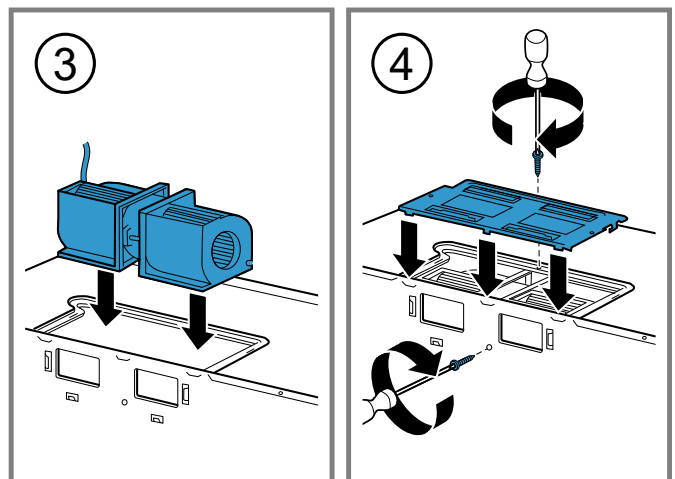
The appliance is shipped assembled for room venting installation. The microwave blower unit is already in place and does not need to be adapted for room venting. For roof or wall venting adjust the microwave blower unit as described in the relevant section.

Adapting the microwave blower for roof venting

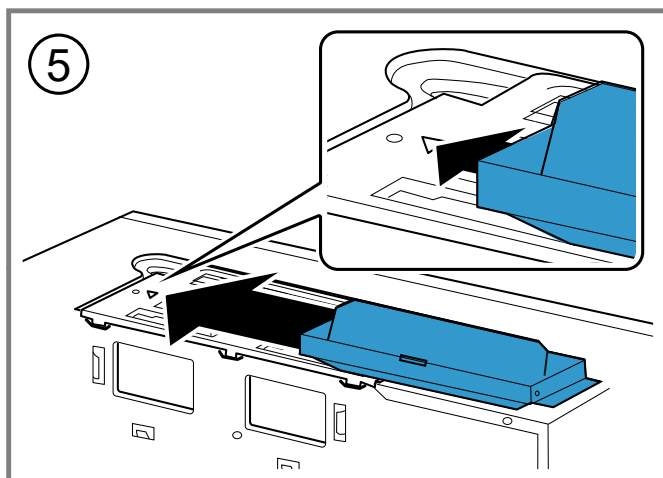
1. Remove and save the screws holding the blower motor and the blower plate. Lift up the blower plate and put it aside.
2. Carefully pull out the blower unit and rotate it by 90° so that the fan blade openings are facing out the top of the appliance.



3. **⚠ CAUTION** Do not pull or stretch the blower unit wiring. Make sure the wires are not pinched, and that they are properly secured.
Place the blower unit back into the opening.
4. Replace the blower plate and secure it with the screws removed in step ①.

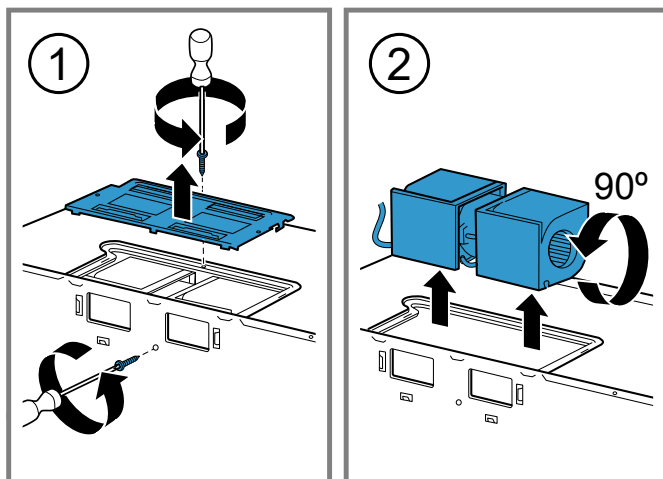


- Attach the exhaust adapter to the top of the blower plate by sliding it into the guides. Push it in securely until it is in the locking tabs. Make sure the damper hinge swings freely.



Adapting the microwave blower for wall venting

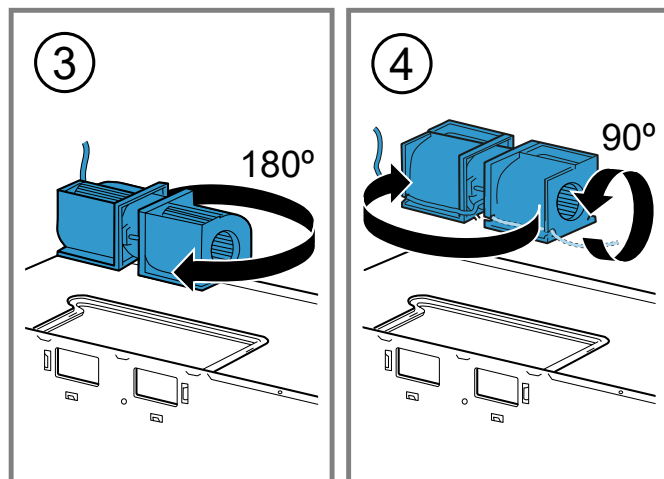
- Remove and save the screws holding the blower motor and the blower plate. Lift up the blower plate and put it aside.
- Carefully pull out the blower unit and rotate 90° so that fan blade openings are facing out the top of the appliance.



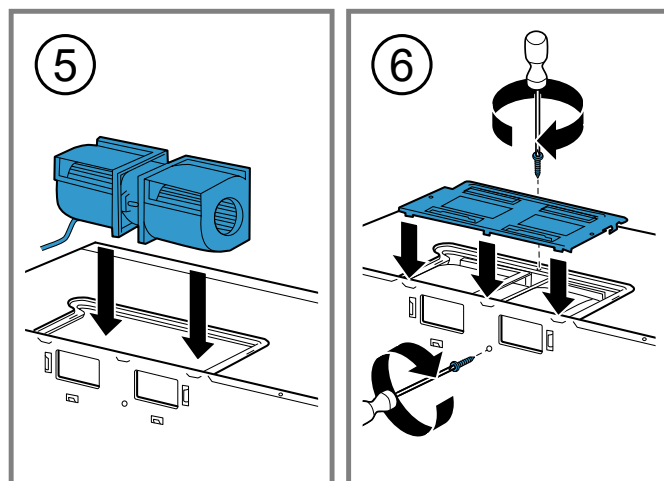
- Rotate the blower unit counterclockwise by 180°.

- CAUTION** Do not pull or stretch the blower unit wiring. Make sure the wires are not pinched, and that they are properly secured.

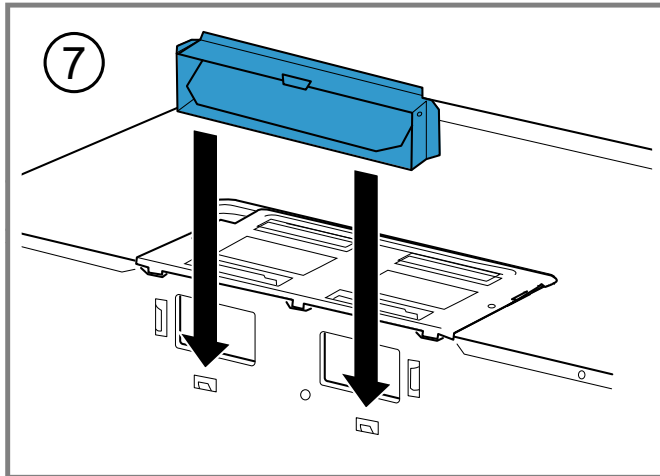
Gently remove the wires from the grooves. Reroute the wires through the grooves on other side of the blower unit. Rotate the blower unit by 90° so that fan blade openings are facing out the back of the appliance.



- Place the blower unit back into the opening.
- Replace the blower plate and secure it with the screws removed in step ①.



7. Attach the exhaust adapter to the rear of the appliance by sliding it into the guides. Push it in securely until it is in the lower locking tabs. Make sure the damper hinge swings freely.



7.6 Preparing the cabinet

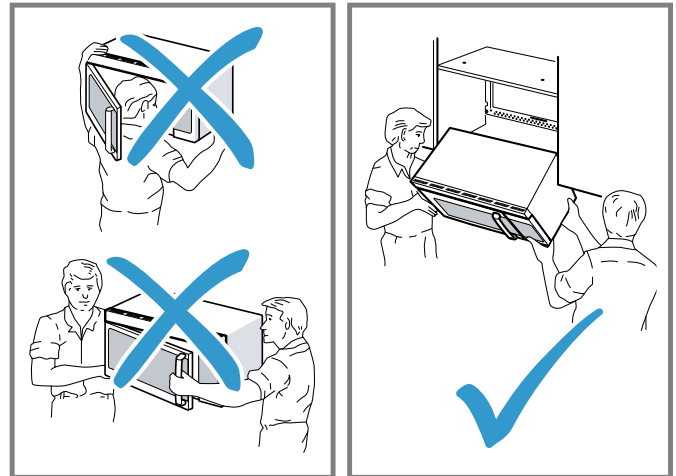
1. Disconnect power supply to the outlet at the circuit breaker box.
2. Remove all contents from the upper cabinet.
3. Tape the TOP CABINET TEMPLATE onto the bottom surface of the cabinet. Make sure the template centerline aligns with the vertical line on the wall. The rear wall arrows must be against rear wall.
Note: For a recessed cabinet bottom, trim the template edges so that it fits inside the recessed area. The template has trim lines to use as guides.
4. Drill $\frac{3}{8}$ " (10 mm) holes at locations **A**, **B** and **C** of the TOP CABINET TEMPLATE.
5. **For roof venting installation only:** Cut out the shaded area **E** on the TOP CABINET TEMPLATE using a saber or keyhole saw.
6. Remove the templates from back wall and cabinet.

7.7 Mounting the appliance

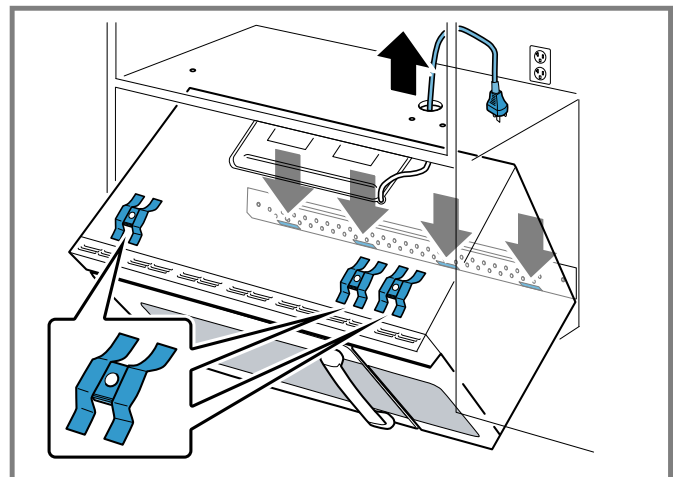
Notes

- If the bottom of the upper cabinet is recessed or has front overhang, you will need to prepare filler blocks to provide additional support for the bolts. Size of the filler blocks: 2" x 2" (51 mm x 51 mm) - depth equivalent to cabinet recess or overhang.
 - Mark the center of each filler block and drill a $\frac{3}{8}$ " (10 mm) diameter hole.
 - Align the filler blocks over the three openings on top of the appliance and attach them with masking tape.

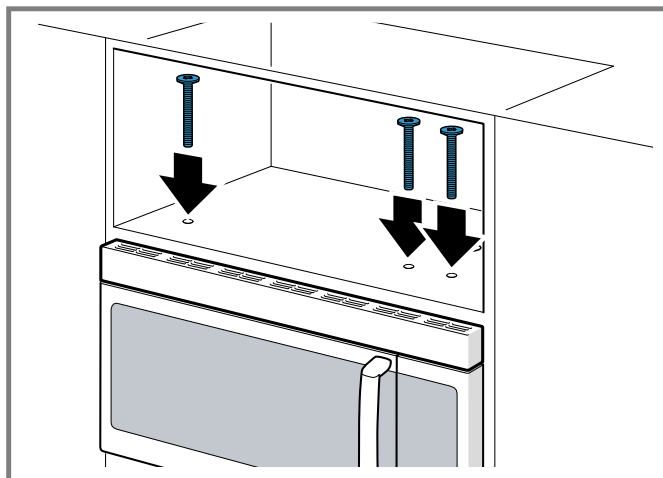
- Use at least two people to install the appliance. Do not grip or use the door handle during the installation.



- When mounting the appliance, thread the power cord through the hole in the bottom of the top cabinet. Keep the cord tight and do not pinch it, especially when mounting flush to the bottom of the cabinet. Do not pull the cord to lift the appliance.
1. Lift the appliance, tilt it forward, and hook the slots at the back bottom edge onto the four lower tabs of the mounting plate.
 2. Rotate the front of the appliance up against the cabinet bottom.

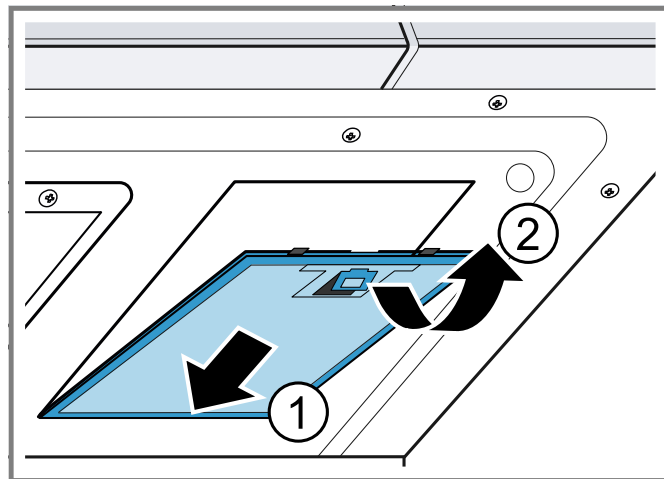


3. Insert a self-aligning screw (item A in parts list) through the top center cabinet hole. Temporarily secure the appliance by turning the screw at least two full turns after the threads have engaged.



4. Tighten the center screw completely.
5. Tighten the outer 2 screws completely to the top of the appliance holding the appliance in place against the wall and the top cabinet.

6. Install the grease filters at the bottom of the appliance:
 - Slide the 2 pins at the rear side of the filter into the slots at the rear of the filter opening.
 - Push up the filter at the front until the catch locks in place with a click.







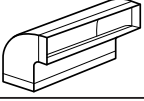
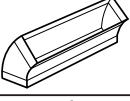
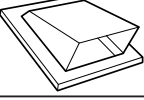
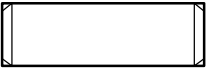
7.8 Hood exhaust

When venting exhaust to the outside, hood exhaust ducts will be required. Read the following instructions carefully.

Notes

- It is important that venting be installed using the most direct route and with as few elbows as possible. This ensures clear venting of exhaust and helps prevent blockages.
- Make sure dampers swing freely and nothing is blocking the ducts.
- The hood exhaust has been designed to mate with a standard 3¼" x 10" (82 x 254 mm) rectangular duct. If a round duct is required, a rectangular-to-round transition adaptor must be used.
- Do not use less than a 6" (152 mm) diameter duct. For satisfactory air movement, the total duct length of 3¼" x 10" (82 x 254 mm) rectangular or 6" (152 mm) diameter round should not exceed 120 equivalent feet (36.5 m).
- Elbows, transitions, wall and roof caps etc. cause additional resistance to airflow and are equivalent to a section of straight duct which is longer than their actual physical size. When calculating the total duct length, add the equivalent lengths of all transitions and adaptors plus the length of all straight duct sections. The chart below shows you how to calculate total equivalent ductwork length using the approximate feet of equivalent length of some typical ducts. Equivalent lengths of duct pieces are based on actual tests and reflect requirements for good venting performance with any vent hood.

Duct piece			x Number used	= Equivalent length
	Rectangular-to-round transition adaptor If a rectangular-to-round transition adapter is used, first make sure the damper hinge of the appliance swings freely. If necessary, cut the damper to fit, using the tin snips, in order to allow free movement.	5 ft. (1.5 m)	x	=
	Wall cap	40 ft. (12.2 m)	x	=
	90° Elbow	10 ft. (3 m)	x	=

Duct piece			x Number used	= Equivalent length
	45° Elbow	5 ft. (1.5 m)	x	=
	90° Elbow	25 ft. (7.6 m)	x	=
	45° Elbow	5 ft. (1.5 m)	x	=
	Roof cap	24 ft. (7.3 m)	x	=
	Straight duct <ul style="list-style-type: none"> ■ 6" (152 mm) round or ■ 3¼" x 10" (82 x 254 mm) rectangular 	1 ft. (0.3 m)	x	=

8 Testing the operation

Check if your appliance is working properly after you have completed the installation steps.

1. Turn on power at the breaker.
 2. Select the CONVECTION mode. See Use and Care Manual for detailed operation instructions.
- ✓ Verify that the appliance cavity light comes on and the appliance begins to preheat.
3. Test the microwave: Place a cup of water into the appliance cavity. See Use and Care Manual on how to heat a beverage.
- ✓ Verify that the appliance cavity light comes on and the water is heated.
4. If any of the tests do not result as explained above, contact Customer Service for assistance.

9 Customer Service

With any warranty repair, we will make sure your appliance is repaired by an authorized service provider using genuine replacement parts. We use only genuine replacement parts for all repairs. Detailed information on the warranty period and terms of warranty can be found in the Statement of Limited Product Warranty, from your retailer, or on our website. If you contact Customer Service, you will need the model number (E-Nr.) and the production number (FD) of your appliance.

USA:

1-800-944-2904

www.bosch-home.com/us/owner-support/get-support

www.bosch-home.com/us/shop

CA:

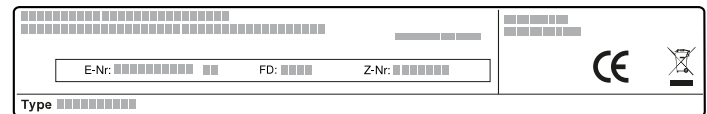
1-800-944-2904

www.bosch-home.ca/en/service/get-support

www.bosch-home.ca/en/service/cleaners-and-accessories

9.1 Model number (E-Nr.) and production number (FD)

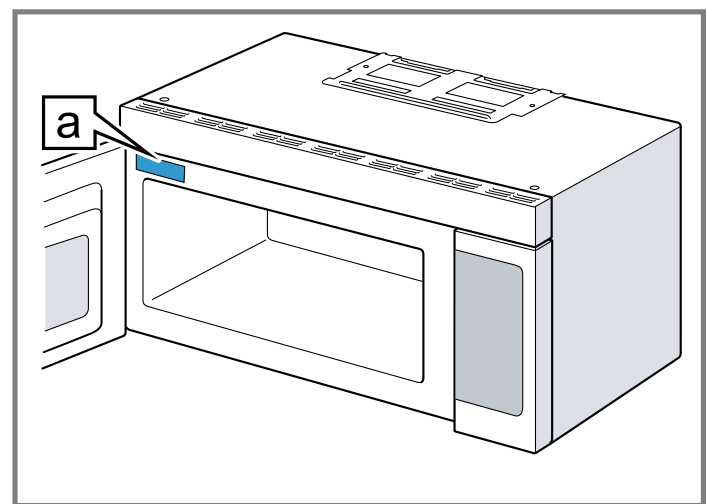
You can find the model number (E-Nr.) and the production number (FD) on the appliance's rating plate.



Making a note of your appliance's details and the Customer Service telephone number will enable you to find them again quickly.

9.2 Rating plate location

You can find the rating plate of your appliance at the left side of the door trim.



a Rating plate

Tabla de contenidos

1 Energía microondas.....	18
2 INSTRUCCIONES DE SEGURIDAD	
IMPORTANTES.....	19
2.1 Definiciones de seguridad	19
2.2 Información general	19
2.3 Instrucciones generales de seguridad.....	19
2.4 Seguridad de manejo del aparato	20
2.5 Códigos y normas de seguridad.....	20
2.6 Seguridad eléctrica	21
2.7 INSTRUCCIONES PARA LA PUESTA A TIERRA ..	21
2.8 Seguridad de microondas	21
2.9 Advertencias en virtud de la Proposición 65 del estado de California	22
3 Lista de verificación de instalación	23
4 Antes de empezar	23
4.1 Retirada del embalaje	23
4.2 Componentes incluidos	24
4.3 Herramientas y componentes necesarios	24
4.4 Requisitos de potencia y de conexión a tierra	24
5 Requisitos de ubicación.....	24
5.1 Dimensiones de montaje.....	24
5.2 Medidas del aparato.....	26
6 Instalación eléctrica: INSTRUCCIONES PARA LA PUESTA A TIERRA	27
6.1 Requisitos eléctricos	27
6.2 Conexión eléctrica	27
7 Procedimiento de instalación	27
7.1 Extracción de la placa de montaje.....	27
7.2 Localización de los montantes de pared	28
7.3 Preparación de la pared posterior	28
7.4 Fijación de la placa de montaje a la pared	28
7.5 Adaptación del extractor del microondas.....	29
7.6 Preparación del gabinete	31
7.7 Montaje del aparato	31
7.8 Campana extractora.....	32
8 Comprobación del funcionamiento	33
9 Servicio de atención al cliente	33
9.1 Número de modelo (E-Nr.) y número de fabricación (FD)	34
9.2 Ubicación de la placa de características del aparato.....	34

1 Energía microondas

▲ PRECAUCIONES PARA EVITAR UNA POSIBLE EXPOSICIÓN A UNA EXCESIVA CANTIDAD DE ENERGÍA DE MICROONDAS

- (1) No intente manejar este aparato con la puerta abierta, ya que el funcionamiento con la puerta abierta puede tener como consecuencia una exposición nociva a la energía de microondas. Es importante no anular los enclavamientos de seguridad ni interferir en estos.
- (2) No coloque ningún objeto entre la parte delantera del aparato y la puerta ni permita que se acumulen suciedad ni restos de limpiador en las superficies sellantes.
- (3) No maneje el aparato si está dañado. Es de particular importancia que la puerta del aparato cierre correctamente y que no haya daños en:
 - la puerta (doblada);
 - las bisagras y las trabas (rotas o flojas);
 - los sellos y las superficies sellantes de la puerta..
- (4) Ninguna persona debe ajustar ni reparar el aparato a menos que se trate de personal de servicio técnico autorizado. La instalación, el servicio técnico o el mantenimiento incorrectos pueden causar lesiones o daños materiales. Consulte este manual para su orientación.
Remita todas las reparaciones a un centro de servicio técnico autorizado por la fábrica.



INSTRUCCIONES DE SEGURIDAD IMPORTANTES

LEER TODAS LAS INSTRUCCIONES ANTES DE UTILIZAR EL APARATO

ADVERTENCIA: Leer atentamente todas las instrucciones antes de usarlo. Estas precauciones reducirán el riesgo de producir quemaduras, descargas eléctricas, incendios y lesiones personales, o la exposición a una cantidad excesiva de energía de microondas. A la hora de utilizar aparatos de cocina se deben tomar precauciones de seguridad básicas, incluidas las que se encuentran en las páginas siguientes.

2.1 Definiciones de seguridad

Aquí puede encontrar explicaciones de las palabras de señal de seguridad utilizadas en este manual.

ADVERTENCIA

Esto indica que pueden producirse la muerte o heridas graves si no se cumple con esta advertencia.

PRECAUCIÓN

Esto indica que pueden producirse heridas leves o moderadas si no se cumple con esta advertencia.

AVISO:

Esto indica que pueden producirse daños en el aparato o en los bienes si no se cumple con este aviso.

Nota: Esto alerta sobre información o sugerencias importantes.

2.2 Información general

Esta sección ofrece información general sobre el presente manual.

- Leer detenidamente el presente manual.
- Tener en cuenta los avisos y las instrucciones de seguridad.
- Conservar el manual y la información del producto en un lugar seguro para futuras referencias o para el siguiente propietario.
- Comprobar posibles daños en el aparato una vez desempaquetado. No conectar el aparato si este ha sufrido algún daño durante el transporte.

Todos los manuales de producto pueden descargarse en línea en www.bosch-home.com/us/owner-support/owner-manuals.

2.3 Instrucciones generales de seguridad

Leer las presentes instrucciones antes de proceder con el montaje del aparato.

IMPORTANTE: CONSERVAR ESTAS INSTRUCCIONES PARA QUE PUEDA USARLAS EL INSPECTOR DE ELECTRICIDAD LOCAL.

INDICACIÓN PARA EL INSTALADOR: ESTAS INSTRUCCIONES DEBEN PERMANECER CON EL APARATO UNA VEZ FINALIZADA LA INSTALACIÓN.

ADVERTENCIA

Si no se sigue con exactitud la información de este manual, se puede producir un incendio o una descarga eléctrica que podrían causar daños materiales o lesiones personales.

ADVERTENCIA

Al utilizar aparatos eléctricos, deben tomarse las precauciones de seguridad básicas, entre las que se encuentran las siguientes:

- ▶ Leer todas las instrucciones antes de utilizar el aparato.
- ▶ En particular, es preciso leer y respetar las PRECAUCIONES PARA EVITAR UNA POSIBLE EXPOSICIÓN A UNA CANTIDAD EXCESIVA DE ENERGÍA DE MICROONDAS, que se encuentran en → *Página 18*
- ▶ Este aparato debe estar conectado a tierra. Se debe conectar únicamente a una toma de corriente debidamente aterrizada. Consultar → *"Instalación eléctrica: INSTRUCCIONES PARA LA PUESTA A TIERRA", Página 27.*
- ▶ Instalar o ubicar este aparato únicamente en conformidad con las instrucciones de instalación proporcionadas.
- ▶ Algunos productos, como los huevos enteros y los recipientes sellados (p. ej., los tarros cerrados de cristal), pueden explotar, por lo que no deben calentarse en este aparato.
- ▶ Utilizar este aparato únicamente para el fin para el cual ha sido diseñado, según lo descrito en el manual. No utilizar productos químicos ni vapores corrosivos en este aparato. Este tipo de aparato está específicamente diseñado para calentar, cocinar o secar alimentos. No está diseñado para su uso industrial o en laboratorios.

CONSERVE ESTAS INSTRUCCIONES.



INSTRUCCIONES DE SEGURIDAD IMPORTANTES

LEER TODAS LAS INSTRUCCIONES ANTES DE UTILIZAR EL APARATO

- ▶ LOS CONTENIDOS CALIENTES PUEDEN CAUSAR QUEMADURAS GRAVES. NO PERMITIR QUE LOS NIÑOS USEN EL MICROONDAS. Proceder con precaución al extraer elementos calientes.
- ▶ No utilizar este aparato si presenta daños en el cable o en el enchufe, si no funciona correctamente, si se ha caído o si ha sufrido daños.
- ▶ Únicamente debe realizar tareas de mantenimiento en el aparato un proveedor de servicios autorizado. Es preciso ponerse en contacto con el proveedor de servicios autorizado más próximo para realizar tareas de inspección, reparación o ajuste.
- ▶ No cubrir ni bloquear las aberturas o los conductos de ventilación del aparato.
- ▶ No instalar este aparato en zonas exteriores. No utilizar este producto cerca del agua, p. ej., cerca de un fregadero, en una superficie húmeda, cerca de una alberca o en lugares similares.
- ▶ No sumergir el cable o el enchufe en agua.
- ▶ Mantener el cable alejado de una superficie caliente.
- ▶ No dejar que el cable cuelgue sobre el borde de la mesa o la cubierta.
- ▶ Al limpiar las superficies de la puerta y el aparato que entran en contacto al cerrar la puerta, aplicar únicamente limpiadores o detergentes no abrasivos con una esponja o un trapo suave. Véanse las instrucciones de limpieza de la superficie de la puerta.

ADVERTENCIA

No reparar, reemplazar ni retirar ninguna parte del aparato a menos que se recomiende específicamente en los manuales. La instalación, el servicio técnico o el mantenimiento incorrectos pueden causar lesiones o daños materiales.

- ▶ Consultar este manual como guía.
- ▶ Cualquier otra labor de mantenimiento debe de ser efectuada por un proveedor de servicios de mantenimiento autorizado.

No modificar ni alterar la construcción del aparato.

- ▶ Por ejemplo, no retirar las patas de nivelación, los paneles, las cubiertas para cables ni los tornillos o soportes antivuelco.

ADVERTENCIA

Retirar toda la cinta y el embalaje antes de usar el aparato.

- ▶ Desechar el embalaje de manera respetuosa con el medio ambiente.

- ▶ No dejar nunca que los niños jueguen con el material de embalaje.

PRECAUCIÓN

Solo para ventilación general.

- ▶ Para evitar el riesgo de incendio o explosión, no utilizar para evacuar materiales y vapores peligrosos o explosivos.

ADVERTENCIA

No utilizar los quemadores de la cubierta de gas sin colocar las ollas en su sitio. La llama abierta puede sobrecalentar el aparato por encima. PARA REDUCIR EL RIESGO DE INCENDIO, UTILIZAR ÚNICAMENTE DUCTOS METÁLICOS.

Este aparato es adecuado para su uso sobre equipos de cocina de gas o eléctricos de 914 mm (36") o menos de ancho.

2.4 Seguridad de manejo del aparato

ADVERTENCIA



La unidad pesa mucho y se requieren al menos dos personas o un equipo adecuado para trasladarla.

- ▶ No levantar el aparato agarrándolo del asa de la puerta.

ADVERTENCIA



Las superficies ocultas pueden tener bordes afilados.

- ▶ Proceder con cuidado al intentar sujetar el aparato por la parte trasera o desde abajo.
- ▶ Usar guantes para evitar cortes en los dedos por los bordes afilados durante la instalación.

2.5 Códigos y normas de seguridad

Este aparato cumple con la última versión de una o varias de las siguientes normas:

- CAN/CSA C22.2 n.º 150: hornos microondas
- CAN/CSA-C22.2 n.º 61: electrodomésticos de cocción
- CSA-C22.2 n.º 64: electrodomésticos de cocción y de calentamiento de líquidos
- UL 1026: electrodomésticos eléctricos de cocción y para servir comida
- UL 923: electrodomésticos de cocción con microondas
- UL 858: estufas eléctricas de uso doméstico



INSTRUCCIONES DE SEGURIDAD IMPORTANTES

LEER TODAS LAS INSTRUCCIONES ANTES DE UTILIZAR EL APARATO

- UL 507: Ventiladores eléctricos
- CAN/CSA C22.2 n.º 113: Ventiladores y ventilaciones

Es responsabilidad del propietario y del instalador determinar si son aplicables otros requisitos y/o normas en instalaciones específicas.

2.6 Seguridad eléctrica

- **Instalador:** es preciso mostrar al propietario la ubicación del breaker del circuito o del fusible. Marcarla para recordarla más fácilmente.
- Si el Código Nacional Eléctrico (o el Código Eléctrico Canadiense) así lo exige, este aparato debe instalarse con un circuito derivado dedicado por separado.
- Las normativas locales varían. El instalador es responsable de asegurarse de que la instalación, las conexiones y la toma de tierra cumplan con todas las normativas aplicables. El fabricante no es responsable de la instalación incorrecta o de la omisión de seguir los códigos y regulaciones locales aplicables.
- Asegurarse de que el aparato esté correctamente instalado y conectado a tierra por un técnico calificado. La instalación, las conexiones eléctricas y la puesta a tierra deben cumplir con todas las normas aplicables.
- Para obtener más información, consultar la placa de características.
→ *"Ubicación de la placa de características del aparato", Página 34*

ADVERTENCIA

Antes de realizar la instalación, desconectar la alimentación eléctrica en el panel de servicio.

- ▶ Bloquear el panel de servicio para impedir que se conecte accidentalmente la alimentación eléctrica.
- Antes de la instalación, debe desenchufarse el aparato de la fuente de alimentación.
- Para los aparatos provistos de cable y enchufe, no cortar ni retirar la terminal de conexión a tierra;
- ▶ se requiere para enchufarla en un receptáculo adecuado con conexión a tierra para evitar descargas eléctricas.
 - ▶ Si se tienen dudas acerca de si el enchufe de la pared tiene una conexión a tierra adecuada, el cliente debería pedirle a un electricista calificado que lo compruebe.
- Antes de enchufar un cable eléctrico o encender la fuente de alimentación eléctrica, asegúrese de que todos los controles se encuentren en la posición OFF (apagado).

2.7 INSTRUCCIONES PARA LA PUESTA A TIERRA

Este aparato debe estar conectado a tierra. La conexión a tierra reduce el riesgo de descargas eléctricas, ya que proporciona una vía de escape de la corriente eléctrica en caso de cortocircuito.

Este aparato debe estar puesto a tierra. Se debe conectar únicamente a una toma de corriente debidamente conectada a tierra.

→ *"Instalación eléctrica: INSTRUCCIONES PARA LA PUESTA A TIERRA", Página 27*

ADVERTENCIA

UNA PUESTA A TIERRA INCORRECTA PUEDE CAUSAR UNA DESCARGA ELÉCTRICA

- ▶ Es preciso consultar con un electricista calificado si no se comprende la totalidad de las instrucciones de puesta a tierra o si se tiene alguna duda respecto de si el aparato está correctamente conectado a tierra.
- ▶ NO USAR UN CABLE DE EXTENSIÓN.
- ▶ Si el cable de suministro de alimentación es demasiado corto, se deberá solicitar a un electricista calificado que instale una toma de corriente cerca del aparato.

Este aparato está equipado con un cable de conexión a tierra y con un enchufe de conexión a tierra. El enchufe debe conectarse en una toma que esté correctamente instalada y conectada a tierra.

2.8 Seguridad de microondas

PRECAUCIONES QUE DEBEN TOMARSE ANTES Y DURANTE EL MANTENIMIENTO PARA EVITAR UNA POSIBLE EXPOSICIÓN A UNA CANTIDAD EXCESIVA DE ENERGÍA DE MICROONDAS

- No manejar ni permitir el manejo del aparato con la puerta abierta.
- Efectuar las siguientes comprobaciones de seguridad en todos los aparatos en los que se vayan a realizar tareas de mantenimiento antes de activar el magnetron u otra fuente de microondas y ejecutar las reparaciones pertinentes:
 - Funcionamiento del sistema de bloqueo (interlock)
 - Cierre correcto de la puerta
 - Juntas y superficies de sellado (curvatura, desgaste y otros daños)
 - Bisagras y pestillos dañados o sueltos

CONSERVE ESTAS INSTRUCCIONES.



INSTRUCCIONES DE SEGURIDAD IMPORTANTES

LEER TODAS LAS INSTRUCCIONES ANTES DE UTILIZAR EL APARATO

- Señales de caídas o uso indebido
- Antes de conectar el aparato a la corriente eléctrica para cualquier prueba de mantenimiento o inspección en los compartimientos que generan las microondas, comprobar que el magnetrón, la guía de ondas o la línea de transmisión y la cavidad estén íntegros y correctamente alineados y conectados.
- Es preciso reparar, sustituir o ajustar todo componente dañado o mal configurado en el interlock, la pantalla, la junta de la puerta y los sistemas de generación y transmisión de microondas siguiendo los procedimientos descritos en este manual antes de entregar el aparato a su propietario.
- Antes de entregarlo a su propietario, es preciso realizar en cada aparato una comprobación de fugas de microondas para corroborar el cumplimiento de la Normativa Federal sobre Desempeño.

2.9 Advertencias en virtud de la Proposición 65 del estado de California

Este producto puede contener un químico que el Estado de California reconoce como potencialmente cancerígeno o causante de daños reproductivos. Por tanto, su producto debe llevar en su embalaje la siguiente etiqueta de conformidad con la legislación de California:

ADVERTENCIA EN VIRTUD DE LA PROPOSICIÓN 65 DEL ESTADO DE CALIFORNIA:

⚠ ADVERTENCIA

Cáncer y daño reproductivo - www.P65Warnings.ca.gov

3 Lista de verificación de instalación

Usar esta lista de comprobación para verificar que se haya completado cada paso del proceso de instalación. De este modo, se pueden evitar los errores comunes. Consultar las instrucciones detalladas de cada paso en las secciones que van después de esta lista de verificación. Siempre es preciso leer y respetar todas las instrucciones de instalación de este manual.

- Antes de instalar el horno, asegurarse de comprobar que las dimensiones del gabinete son correctas para la unidad y que están presentes las conexiones eléctricas necesarias. Asegurarse de que el cable eléctrico incluido con el aparato pueda alcanzar el punto de conexión.
→ "Requisitos de ubicación", Página 24

- "Instalación eléctrica: INSTRUCCIONES PARA LA PUESTA A TIERRA", Página 27

- Mover el aparato y colocarlo justo delante del espacio del gabinete.

- Extraer los materiales de empaque, pero dejar los de la base para evitar daños en el piso.
→ "Retirada del embalaje", Página 23

- Retirar la placa de montaje de la parte trasera del aparato.
→ "Extracción de la placa de montaje", Página 27

- Localizar los taquetes de pared.
→ "Localización de los montantes de pared", Página 28

- Fijar la placa de montaje a la pared.
→ "Fijación de la placa de montaje a la pared", Página 28

- Adaptar el extractor del microondas.
→ "Adaptación del extractor del microondas", Página 29

- Preparar el gabinete para el montaje.
→ "Preparación del gabinete", Página 31

- Se requieren al menos dos personas para elevar el aparato, inclinarlo y engancharlo a la placa de sujeción.
→ "Montaje del aparato", Página 31

- Empujar el aparato completamente en su sitio y fijar los tornillos de sujeción a través de los orificios de la parte superior del gabinete.
→ "Montaje del aparato", Página 31

- Utilizar una campana extractora apropiada.
→ "Campana extractora", Página 32

- Comprobar el correcto funcionamiento del aparato.

4 Antes de empezar

Leer estas instrucciones antes de comenzar la instalación del aparato.

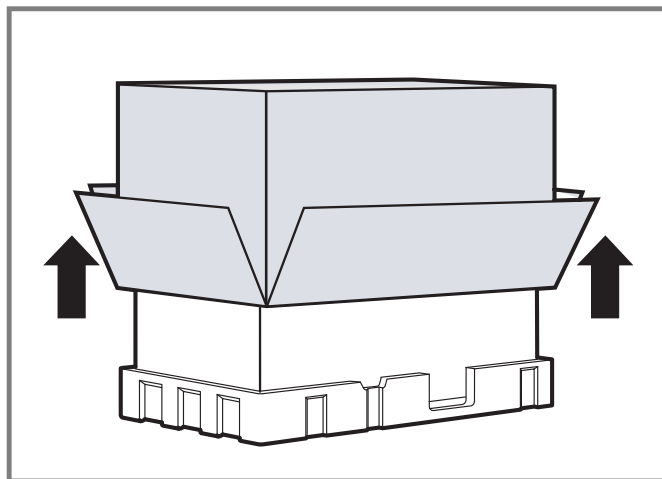
Todos los gráficos son representativos. La apariencia y las funciones del aparato pueden variar.

4.1 Retirada del embalaje

AVISO:

Para evitar daños, no se debe agarrar ni manipular la puerta (ni su manija) mientras el aparato se está desplazando.

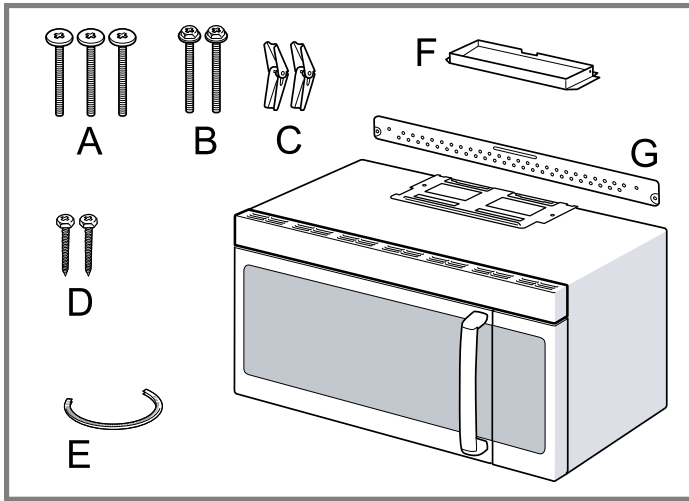
1. Extraer los filtros, los accesorios y el hardware. No retirar el empaque que protege la parte frontal del aparato.
2. Plegar completamente las cuatro solapas de cartón contra los costados.
3. Inclinar cuidadosamente el aparato con su cartón para que repose sobre su parte superior. El aparato debe continuar apoyado sobre la espuma de poliestireno.
4. Sacar el cartón del aparato.



5. Cortar la parte central de la bolsa protectora exterior de plástico para sacar la placa de montaje.

4.2 Componentes incluidos

Después de desembalar el aparato, verifique que todas las piezas no presenten daños ocasionados durante el transporte, así como que el volumen de suministro esté completo.



A	Pernos de montaje superiores: Tornillos autoalineables para máquinas 1/4" - 28 x 3 1/4"
B	Tornillos de palanca - 3/16" x 3"
C	Soporte para montaje en pared: Anclajes de palanca
D	Tornillos para madera 1/4" x 2"
E	Ojal de nylon (para gabinetes de metal)
F	Campana extractora
G	Placa de montaje (fijada en la parte posterior del aparato)

No mostrados:

- Plantilla para gabinete superior
- Plantilla para pared posterior
- Filtros metálicos antigrasa
- Filtro de carbón (montado en el aparato de fábrica)

4.3 Herramientas y componentes necesarios

Preparar las siguientes herramientas y artículos antes de comenzar la instalación del aparato.

- Desarmador Phillips
- Lápiz
- Cinta métrica
- Borde recto
- Taladro
- Brocas: 3/16", 1/2", 5/8"
- Guantes de seguridad
- Sierra (de sable, caladora o de perforación)
- Localizador de montantes o martillo
- Gafas de seguridad
- Nivel
- Cinta de aluminio (NO utilizar cinta aislante o de tela para conductos)

Herramientas opcionales:

- Escuadra de carpintero
- Cortadores de chapa
- Tijeras
- Bloques de relleno o fragmentos de madera (para instalaciones en base empotrada de gabinete)

4.4 Requisitos de potencia y de conexión a tierra

El contacto para el enchufe debe estar puesto a tierra de forma adecuada, en conformidad con todas las normas aplicables.

La toma se puede instalar en cualquier lugar dentro del gabinete sobre el aparato, al alcance del cable de alimentación (aprox. 24 pulgadas).

5 Requisitos de ubicación

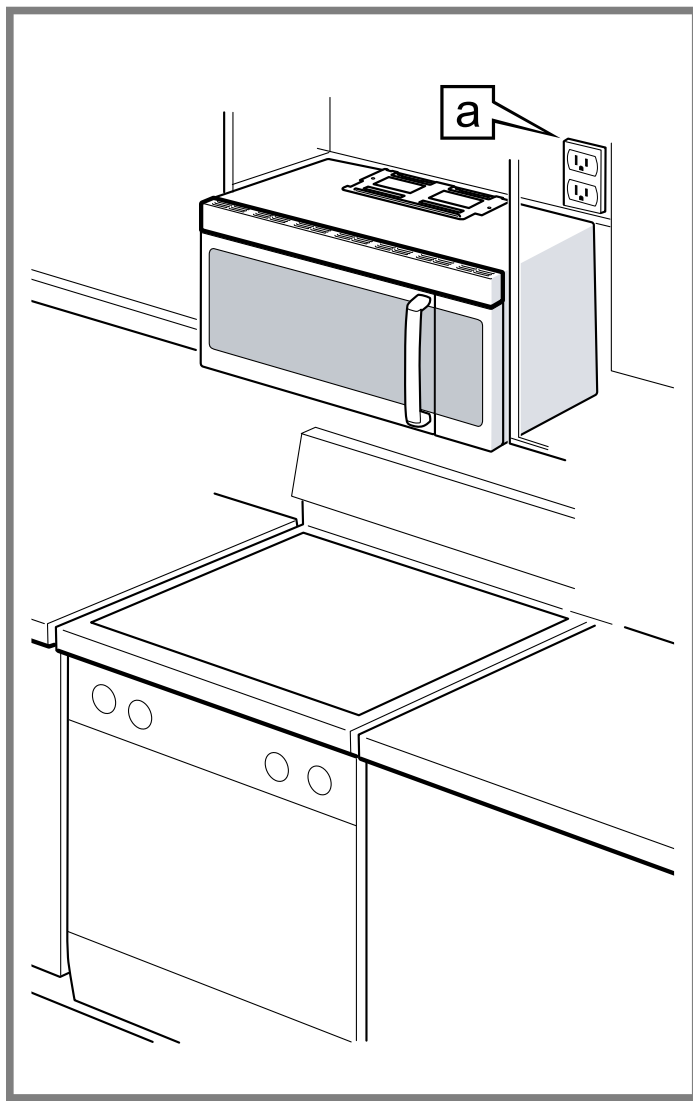
5.1 Dimensiones de montaje

⚠ ADVERTENCIA

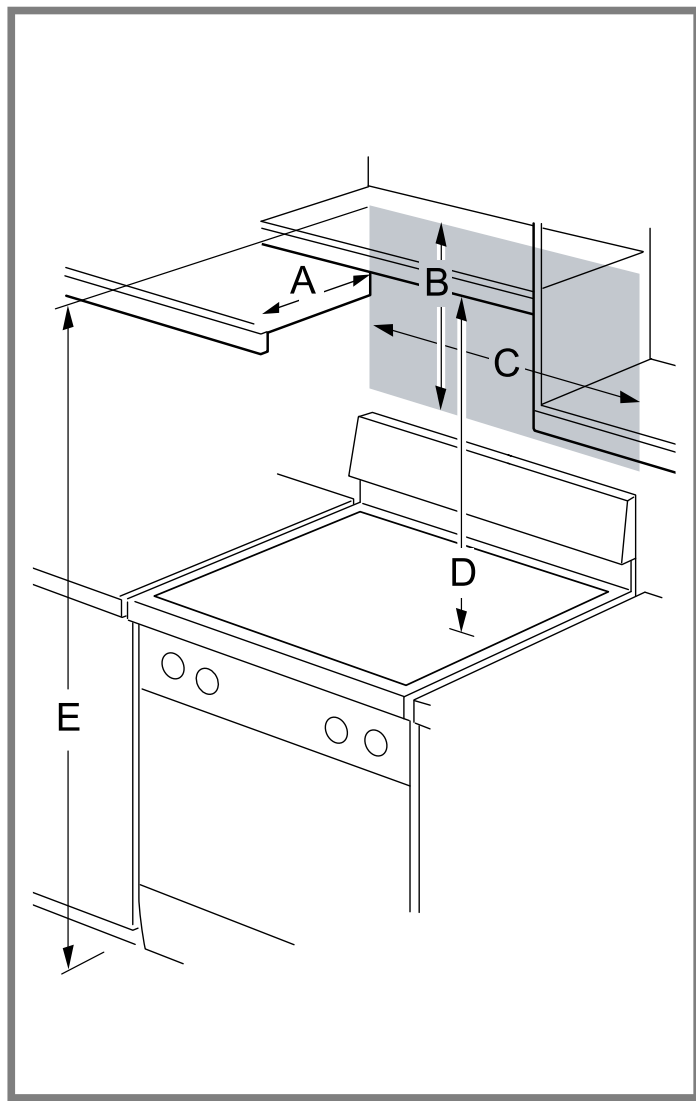
Este aparato debe montarse a una altura mínima de 36" (914 mm) y no está indicado para utilizarlo en encimera.

⚠ PRECAUCIÓN

Este aparato solo debe montarse por encima del nivel de la cubierta.



a Toma de corriente de 120 V aterrizada situada en el interior del gabinete sobre el aparato; el lado derecho se muestra a modo de ejemplo.



- A min. 12" (305 mm)
máx. 14" (356 mm)

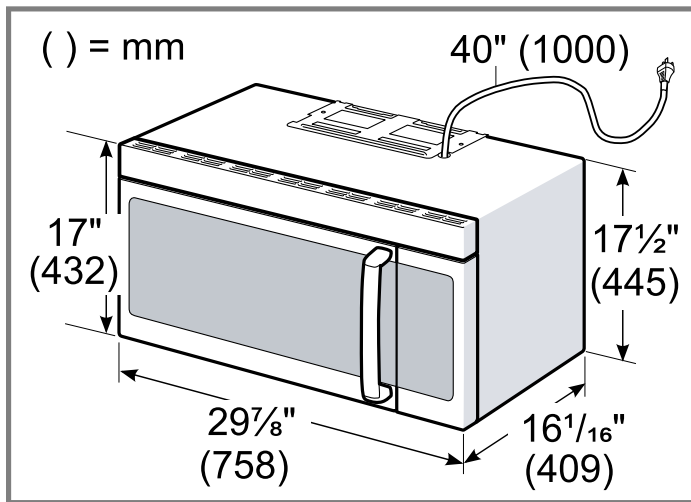
- B mín. 17½" (446 mm)

- C min. 30" (762 mm)
ancho de apertura del gabinete

- D min. 36" (915 mm)

- E mín. 66" (1676 mm)

5.2 Medidas del aparato



Nota: Debe tenerse en cuenta que las medidas frontales y posteriores del aparato no son idénticas.

6 Instalación eléctrica: INSTRUCCIONES PARA LA PUESTA A TIERRA

Leer las presentes instrucciones para conectar con seguridad el aparato al suministro eléctrico.

6.1 Requisitos eléctricos

Es preciso asegurarse de que la instalación eléctrica sea compatible con los siguientes requisitos.

⚠ ADVERTENCIA

Instrucciones para poner a tierra la instalación eléctrica

- ▶ Este aparato está equipado con un enchufe de conexión a tierra de tres clavijas para proteger contra los riesgos de descargas eléctricas y debe conectarse directamente a un enchufe con toma de tierra. **NO** cortar ni quitar la clavija de conexión a tierra de este enchufe.

Modelo	Conexión	Requisitos relativos al circuito
HMVP054U	NEMA 5-15	120 V CA/60 Hz; 15 A

6.2 Conexión eléctrica

⚠ ADVERTENCIA

El voltaje utilizado deber ser el mismo que el que se especifica en este aparato. Utilizar un voltaje mayor es peligroso y podría ocasionar un incendio o dañar el aparato.

Requisitos eléctricos:

- Todos los modelos de 120 voltios se deben enchufar en un receptáculo de conexión a tierra de 3 puntas.
- El receptáculo debe estar conectado a una fuente de alimentación eléctrica dedicada debidamente polarizada y puesta a tierra con una capacidad nominal de 120 V CA, monofásica, 60 Hz.
- Alimentación eléctrica de 15 A con un fusible o un interruptor automático.
- Este producto se debe conectar a un circuito de alimentación dedicado de voltaje y frecuencia adecuados.
- El calibre del cable debe cumplir con los requisitos del Código Eléctrico Nacional o del código local vigente para esta clasificación.
- El cable de alimentación se debe enchufar a una toma de corriente monofásica separada de 15 A con conexión a tierra.
- La caja de la toma de corriente debe estar ubicada en la zona detrás del aparato.
→ "Dimensiones de montaje", Página 24
- La caja de la toma de corriente y el circuito de alimentación dedicado deben ser instalados por un electricista calificado y cumplir con el Código Eléctrico Nacional o el código local vigente.
- El voltaje utilizado deber ser el mismo que el que se especifica en la placa de características de este aparato.
→ "Ubicación de la placa de características del aparato", Página 34. Utilizar un voltaje mayor es peligroso y podría ocasionar un incendio o dañar el aparato.

Utilizar un voltaje menor causará una cocción lenta. El fabricante no es responsable de los daños resultantes del uso del aparato con un voltaje distinto al especificado.

- El aparato solo se debería conectar a un circuito dedicado (conectado a tierra) que haya sido instalado conforme a las regulaciones aplicables.

7 Procedimiento de instalación

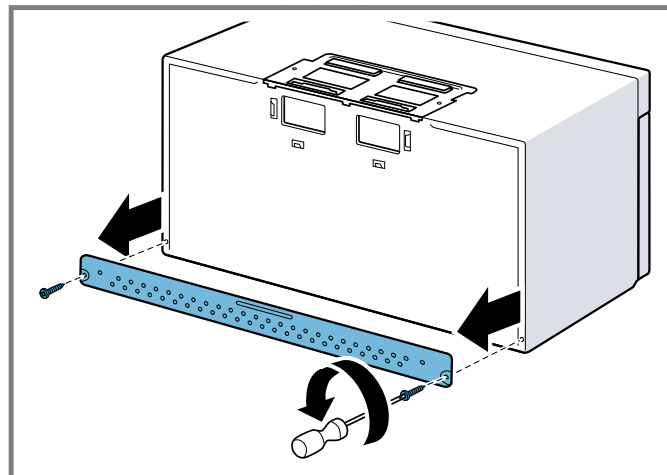
7.1 Extracción de la placa de montaje

AVISO:

Para evitar daños, no se debe agarrar ni manipular la puerta (ni su manija) mientras el aparato se está desplazando.

Cubrir la superficie de trabajo para evitar dañarla o deteriorar la base del aparato.

1. Extraer el resto de los componentes de la cavidad del aparato.
2. Retirar los tornillos de la placa de montaje.
 - La placa de montaje se utilizará como plantilla de la pared posterior y para el montaje.



3. Volver a instalar los tornillos en los orificios de los que se extrajeron.

7.2 Localización de los montantes de pared

El aparato debe estar fijado al menos a un montante de pared. No instalar el aparato si no hay montantes de pared en la abertura del gabinete.

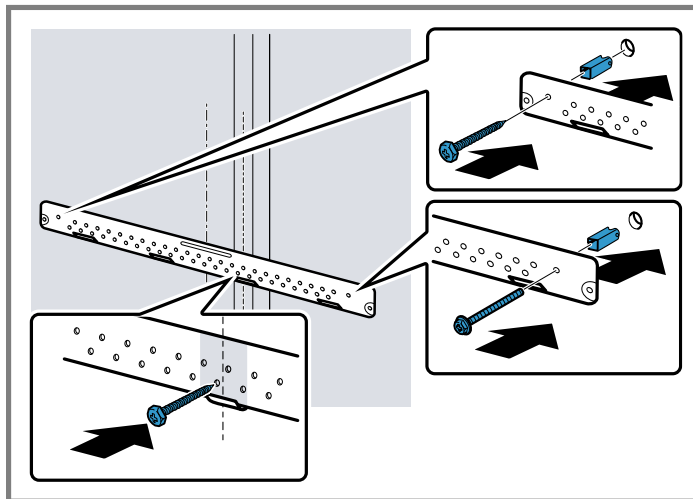
1. Localizar los extremos de los montantes de pared en la abertura del gabinete con ayuda de:
 - un localizador de montantes; o
 - un martillo, golpeando suavemente la superficie de montaje hasta escuchar un sonido sordo
2. Colocar una marca a medio camino entre los bordes de los montantes de la pared y dibujar una línea desde la parte central de los montantes. Ver las posibles configuraciones de montantes de pared. → *Página 28*

Posibles configuraciones de montantes de pared

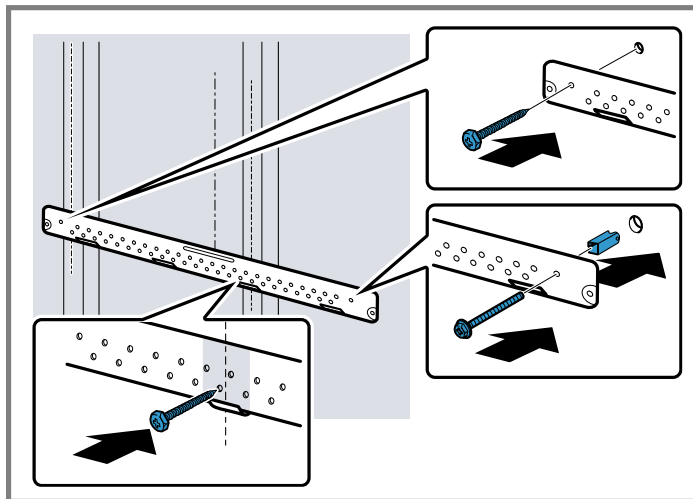
Estas ilustraciones muestran ejemplos de configuraciones preferentes de instalación con la placa de montaje.

Sin montantes de pared en orificios de esquina

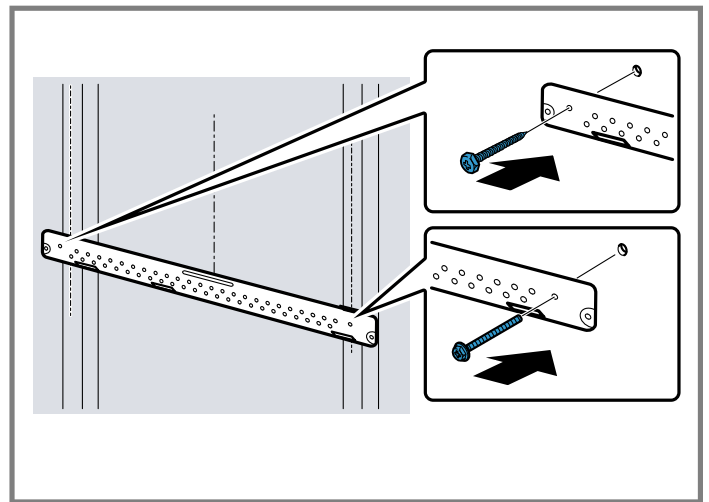
Si el montante de pared se encuentra a hasta 6¼" (159 mm) de la línea central vertical, solo pueden prepararse instalaciones de ventilación local (recirculación) o a través del tejado.



Montantes de pared en uno de los orificios de esquina



Sin montantes de pared en ninguno de los orificios de esquina



7.3 Preparación de la pared posterior

1. Asegurarse de que la base del gabinete esté recta.
2. Trazar una línea vertical en la pared en el centro del espacio del gabinete.
3. **Para gabinetes con saliente frontal:** trazar una línea en la pared posterior equivalente a la profundidad del saliente frontal.
4. Fijar la PLANTILLA DE LA PARED POSTERIOR en la pared de tal modo que coincida con la línea central y toque la base del gabinete o la línea de nivel.
5. Trazar una línea horizontal en la pared en la base de la PLANTILLA DE LA PARED POSTERIOR.
6. Taladrar orificios en las ubicaciones A y B de la PLANTILLA DE LA PARED POSTERIOR:
 - orificios de 3/16" (5 mm) para tornillos de madera (pernos);
 - orificios de 5/8" (16 mm) para tornillos de palanca (no pernos).

Si ni **A** ni **B** se encuentran en un montante, localizar uno en la zona de la placa de montaje y taladrar un orificio de 3/16" (5 mm).

Es importante utilizar al menos un tornillo de madera montado firmemente en un montante para que soporte el peso del aparato.

7. **⚠ PRECAUCIÓN** Instalación con ventilación de pared:
 - ▶ Si el adaptador de escape está situado fuera, se deben tener en cuenta las dimensiones recomendadas, de lo contrario el aire cargado de grasa se depositará en la casa.

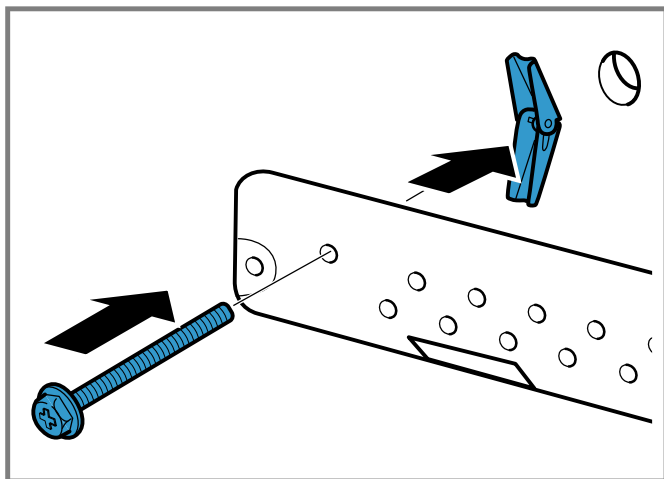
Solo para instalación con ventilación en la pared: Recortar el área sombreada **F** de la PLANTILLA DE LA PARED POSTERIOR con ayuda de una sierra de sable o una caladora.

8. Retirar la PLANTILLA DE LA PARED POSTERIOR.

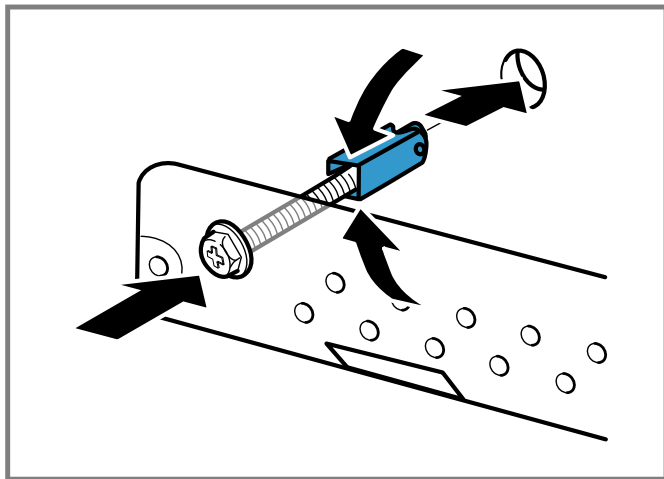
7.4 Fijación de la placa de montaje a la pared

1. Retirar los anclajes de palanca de los pernos.

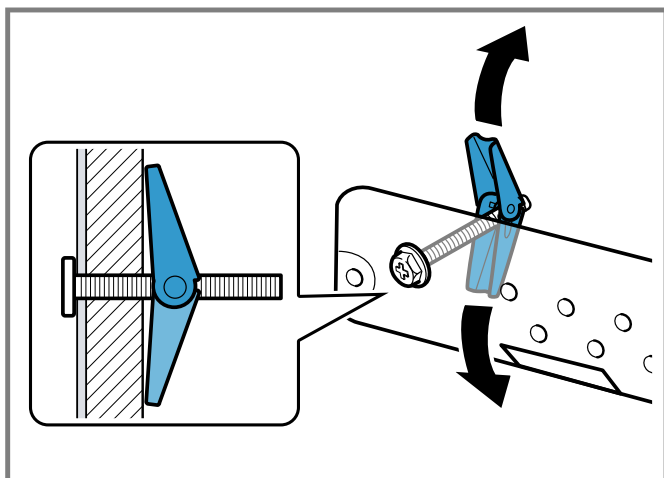
2. Introducir los pernos en la placa de montaje a través de los orificios diseñados para tablarroca.



3. Fijar los anclajes de palanca desde la parte posterior de la placa de montaje en cada perno. Dejar espacio suficiente para que los anclajes de palanca puedan atravesar la pared y para poder abrirlos.



4. Colocar la placa de montaje contra la pared y empujar los pernos a través de la tablarroca.
5. Apretar los pernos con los dedos para asegurarse de que los anclajes de palanca se hayan abierto contra la tablarroca.



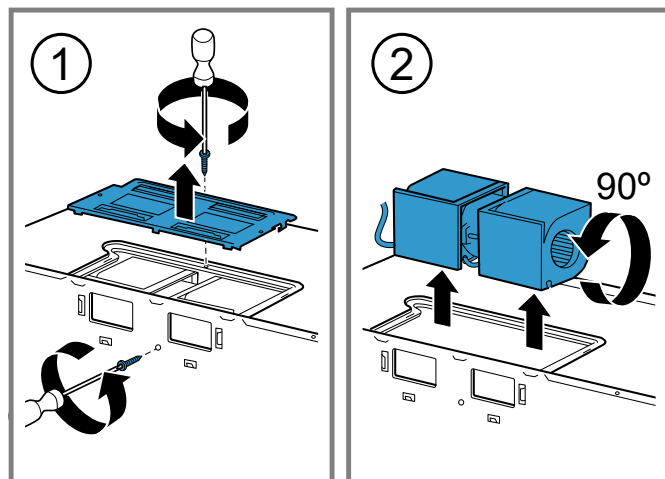
6. Comprobar que la placa de montaje esté bien centrada y nivelada.
7. Apretar con seguridad todos los tornillos, incluido el de madera.

7.5 Adaptación del extractor del microondas

El aparato se envía ensamblado para su instalación con ventilación local. El unidad del extractor del microondas ya está colocada y no necesita adaptarse para la ventilación del espacio. Para la ventilación de techo o pared, ajustar la unidad del extractor de microondas como se describe en la sección correspondiente.

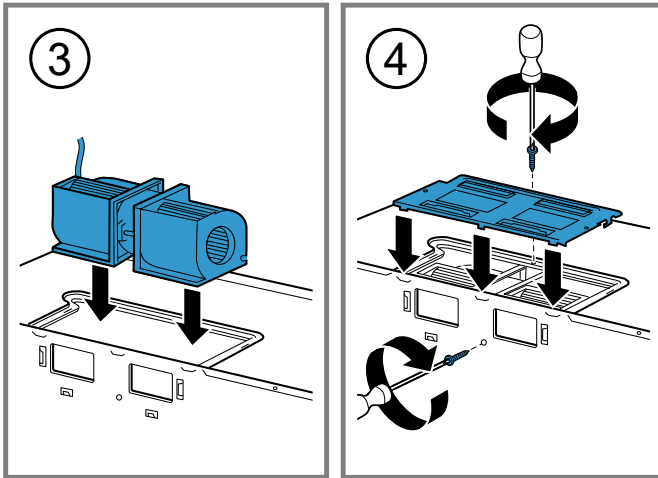
Adaptación del extractor del microondas al sistema de ventilación de techo

1. Retirar y guardar los tornillos que mantienen el motor y la placa del extractor. Levantar la placa del extractor y apartarla.
2. Levantar cuidadosamente la unidad del extractor y girarla 90° para que las aberturas de las aspas del ventilador queden orientadas hacia la parte superior del aparato.

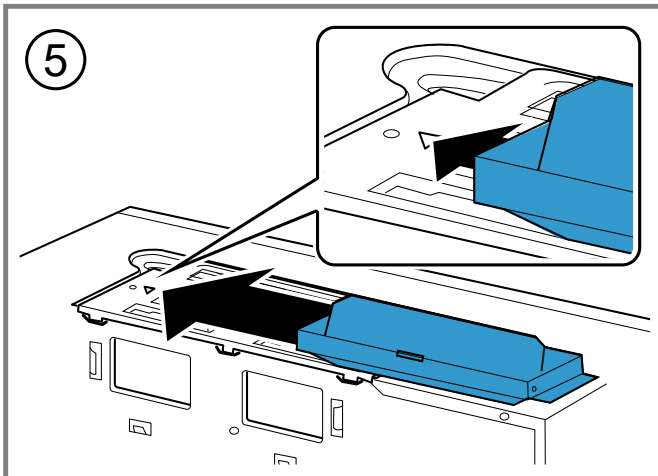


3. **⚠ PRECAUCIÓN** No jalar el cableado de la unidad extractora. Asegurarse de que los cables no queden pellizcados y de que estén bien fijados. Volver a colocar la unidad del extractor en la abertura.

4. Sustituir la placa del extractor y fijarla con los tornillos apartados en el paso ①.



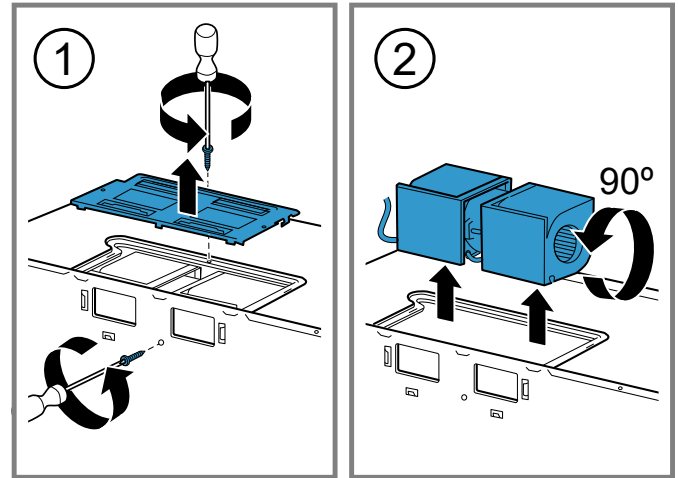
5. Fijar el adaptador de escape en la parte superior de la placa del extractor deslizándolo en las guías. Empujarlo con seguridad hasta que se encuentre enganchado en las pestañas de bloqueo. Asegurarse de que la bisagra de amortiguación gire con libertad.



Adaptación del extractor del microondas al sistema de ventilación de pared

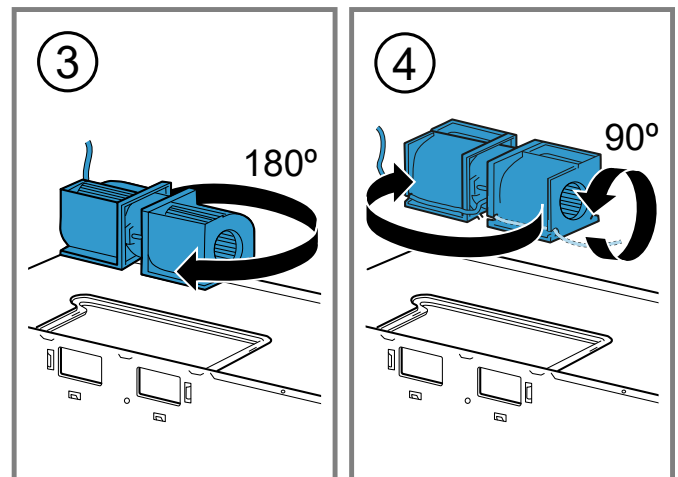
1. Retirar y guardar los tornillos que mantienen el motor y la placa del extractor. Levantar la placa del extractor y apartarla.

2. Levantar cuidadosamente la unidad del extractor y girarla 90° para que las aberturas de las aspas del ventilador queden orientadas hacia la parte superior del aparato.



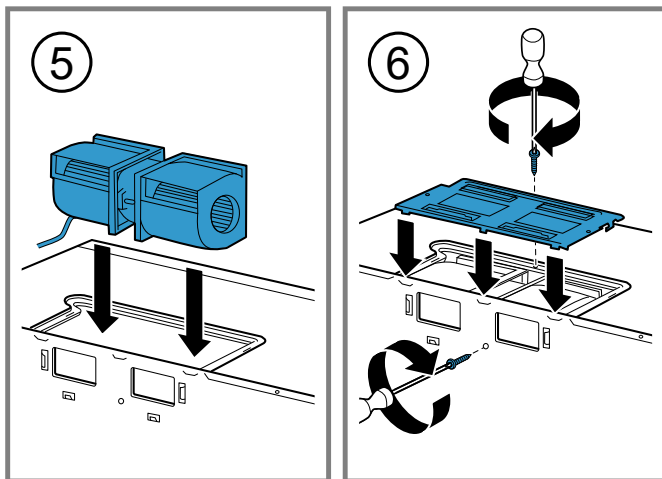
3. Girar la unidad del extractor 180° en sentido antihorario.
4. **⚠ PRECAUCIÓN** No jalar el cableado de la unidad extractora. Asegurarse de que los cables no queden pellizcados y de que estén bien fijados.

Sacar cuidadosamente los cables de las ranuras. Volver a enrutar los cables por las ranuras en el otro lado de la unidad del extractor. Girar la unidad del extractor 90° para que las aberturas de las aspas del ventilador queden orientadas hacia la parte posterior del aparato.

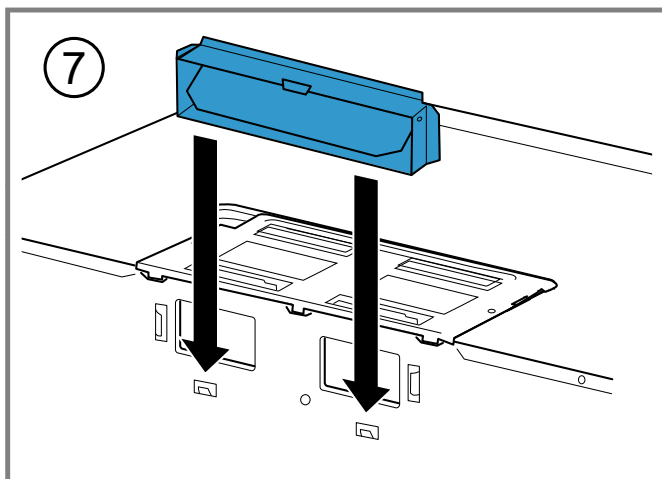


5. Volver a colocar la unidad del extractor en la abertura.

6. Sustituir la placa del extractor y fijarla con los tornillos apartados en el paso ①.



7. Fijar el adaptador de escape en la parte posterior del aparato deslizándolo en las guías. Empujarlo con seguridad hasta que se encuentre enganchado en las pestañas inferiores de bloqueo. Asegurarse de que la bisagra de amortiguación gire con libertad.



7.6 Preparación del gabinete

1. Desconectar el suministro de potencia a la toma de corriente en la caja del disyuntor.
2. Retirar todo el contenido del gabinete superior.
3. Adherir la PLANTILLA PARA EL GABINETE SUPERIOR en la superficie inferior del gabinete. Asegurarse de que la línea central de la plantilla quede alineada con la línea vertical en la pared. La pared trasera debe estar contra la pared trasera.

Nota: En caso de fondo en gabinete empotrado, recortar los extremos de la plantilla para que encaje dentro del área empotrada. La plantilla contiene líneas recortables para usarlas como guías.

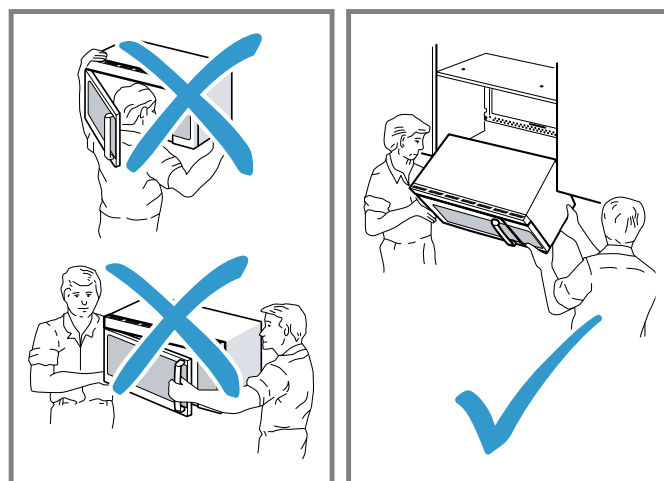
4. Taladrar orificios de $\frac{3}{8}$ " (10 mm) en las ubicaciones **A**, **B** y **C** en la PLANTILLA DEL GABINETE SUPERIOR.
5. **Solo para instalación con ventilación en techo:** recortar la zona sombreada **E** en la PLANTILLA DEL GABINETE SUPERIOR con ayuda de una sierra de sable o una caladora.

6. Retirar las plantillas de la parte posterior y el gabinete.

7.7 Montaje del aparato

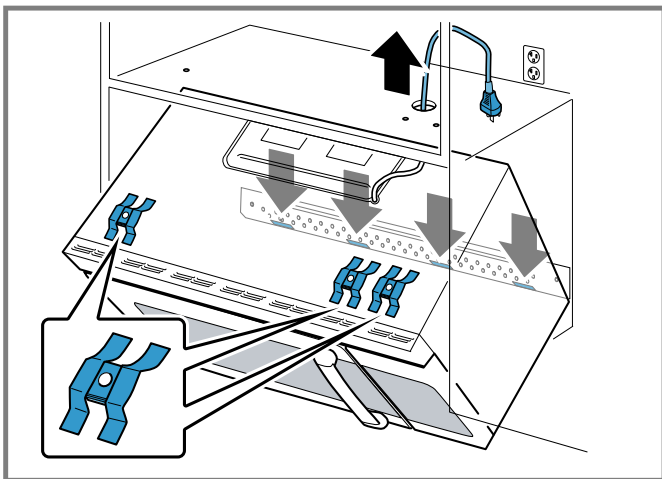
Notas

- Si la parte inferior del gabinete superior está empotrada o tiene saliente frontal, se tendrán que preparar bloques de carga para ofrecer apoyo adicional a los pernos. Tamaño de los bloques de carga: 51 mm x 51 mm (2" x 2"), profundidad equivalente al empotramiento o el saliente del gabinete.
 - Marcar el centro de cada bloque de carga y perforar un orificio de 10 mm ($\frac{3}{8}$ ").
 - Alinear los bloques de carga sobre las tres aberturas en la parte superior del aparato y fijarlos con cinta adhesiva.
- El aparato debe ser instalado al menos por dos personas. No asir ni usar el asa de la puerta durante la instalación.

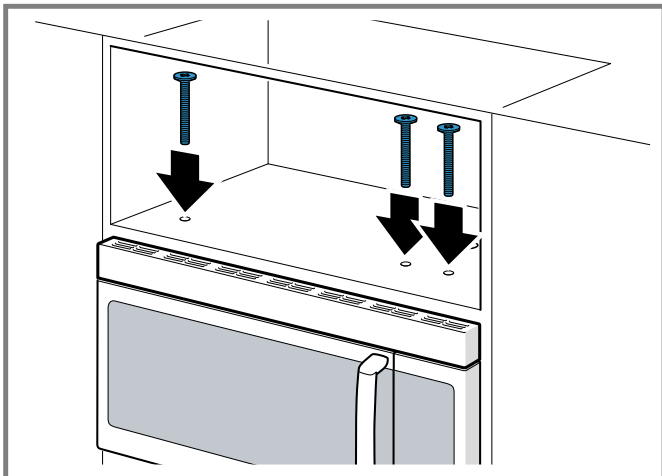


- Al montar el aparato, pasar el cable de corriente por el orificio en la parte inferior del gabinete superior. Mantener el cable tenso y no pellizcarlo, especialmente cuando se instale alineado con el fondo del gabinete. No jalar el cable para levantar el aparato.
1. Levantar el aparato, inclinarlo hacia adelante y enganchar las ranuras del extremo inferior de la parte posterior en las cuatro lengüetas inferiores de la placa de fijación.

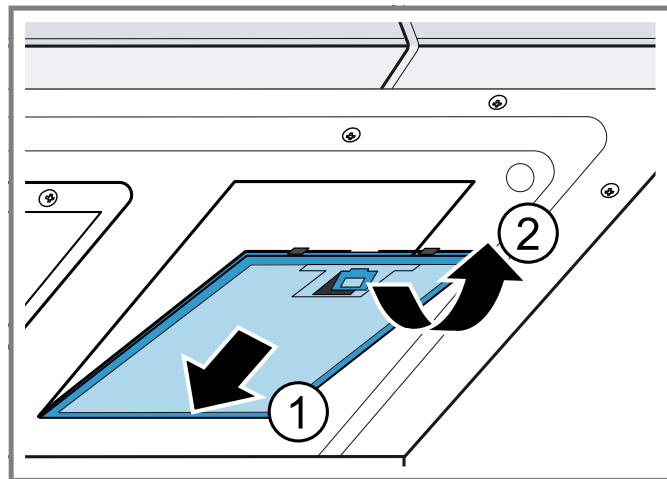
2. Girar la parte frontal del aparato hacia el fondo del gabinete.



3. Insertar un tornillo autoalineable (objeto A en la lista de piezas) en el agujero de la parte superior central del gabinete. Asegurar el aparato temporalmente girando el tornillo por lo menos dos vueltas completas después de que sus cuerdas hayan encajado.



4. Apretar el tornillo central por completo.
5. Apretar completamente los 2 tornillos exteriores en la parte superior del aparato, sujetando este en su sitio contra la pared y el gabinete superior.
6. Instalar los filtros antigrasa en la base del aparato.
 - Deslizar los 2 pasadores de la parte posterior del filtro en las ranuras situadas en la parte posterior de la abertura del filtro.
 - Empujar hacia arriba el filtro en la parte frontal hasta que la pestaña encaje en su sitio con un clic.




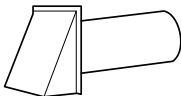


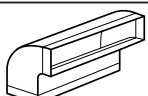
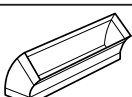
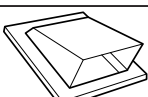
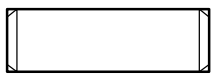
7.8 Campana extractora

Al extraer humos al exterior, se requieren conductos de campana extractora. Leer atentamente las instrucciones siguientes.

Notas

- Es importante que la ventilación se instale con la ruta más directa y con el menor número de acodaduras posible. Así se garantiza una ventilación sin obstáculos de los humos de escape para evitar bloqueos.
- Asegurarse de que los amortiguadores puedan girar libremente y de que nada bloquee los conductos.
- El escape de la campana se ha diseñado para encajar con un conducto rectangular estándar de 3¼" x 10" (82 x 254 mm). Si se requiere un conducto cilíndrico, deberá utilizarse un adaptador de transición de tubo rectangular a redondo.
- No utilizar conductos de diámetros inferiores a 6" (152 mm). Para que el aire se desplace correctamente, la longitud total del conducto rectangular de 3¼" x 10" (82 x 254 mm) o del cilíndrico de 6" (152 mm) de diámetro no deben superar un nivel equivalente a 120 pies (36.5 m).
- Los componentes como acodaduras, transiciones, cubiertas de pared y techo, etc., generan una resistencia adicional que debe vencer el flujo de aire, y son equivalentes a una sección de conducto recto con una longitud superior a la real. Al calcular la longitud total del conducto, es preciso añadir las longitudes equivalentes de todas las transiciones y los adaptadores, además de la longitud de todas las secciones de conducto recto. La siguiente tabla muestra cómo calcular la longitud total equivalente de los conductos mediante la longitud equivalente aproximada en pies de algunos conductos típicos.

Las longitudes equivalentes de fragmentos de conductos se basan en pruebas reales y reflejan los requisitos para una buena ventilación con cualquier tipo de campana.

Parte de conducto		5 pies (1.5 m)	Cantidad de unidades utilizadas	= longitud equivalente
	Adaptador de transición de tubo rectangular a redondo Si se utiliza un adaptador de transición de tubo rectangular a redondo, es preciso asegurarse en primer lugar de que la bisagra amortiguadora del aparato gire con libertad. Si es necesario, cortar el amortiguador con unos cortadores de chapa para que las bisagras se muevan con libertad.	5 pies (1.5 m)	x	=
	Cubierta de pared	40 pies (12.2 m)	x	=
	Acodadura de 90°	10 pies (3 m)	x	=
	Acodadura de 45°	5 pies (1.5 m)	x	=
	Acodadura de 90°	25 pies (7.6 m)	x	=
	Acodadura de 45°	5 pies (1.5 m)	x	=
	Cubierta de techo	24 pies (7.3 m)	x	=
	Conducto recto ■ Redondo de 6" (152 mm) o ■ rectangular de 3¼" x 10" (82 x 254 mm)	1 pie (0.3 m)	x	=

8 Comprobación del funcionamiento

Una vez completados los pasos de instalación, comprobar si el aparato funciona correctamente.

1. Encender la energía eléctrica en el interruptor automático.
2. Seleccionar el modo de CONVECCIÓN. Para instrucciones de manejo más detalladas, ver manual.
- ✓ Comprobar que se enciende la luz de la cavidad del aparato y que este se comienza a precalentar.
3. Comprobación del microondas: Colocar una taza de agua en la cavidad del aparato. Véase manual para obtener indicaciones sobre cómo calentar una bebida.
- ✓ Verificar que la luz de la cavidad del aparato se encienda y que el agua se caliente.

4. Si alguna de las pruebas no resulta como se explicó anteriormente, contactar con el Servicio Técnico para obtener ayuda.

9 Servicio de atención al cliente

En cada reparación cubierta por la garantía, nos aseguramos de que su aparato sea reparado con repuestos originales por un proveedor de servicio capacitado y autorizado. Solo utilizamos repuestos originales para todos los tipos de reparaciones. Las informaciones detalladas sobre el periodo de validez de la garantía y las condiciones de garantía las podrá encontrar en nuestras condiciones de garantía, con su distribuido o en nuestra página web.

Cuando se ponga en contacto con el servicio de atención al cliente, no olvide indicar el número de modelo (E-Nr.) y el número de fabricación (FD) de su aparato.

USA:

1-800-944-2904

www.bosch-home.com/us/owner-support/get-support

www.bosch-home.com/us/shop

CA:

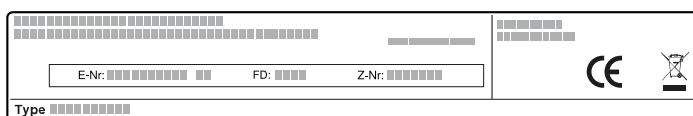
1-800-944-2904

www.bosch-home.ca/en/service/get-support

www.bosch-home.ca/en/service/cleaners-and-accessories

9.1 Número de modelo (E-Nr.) y número de fabricación (FD)

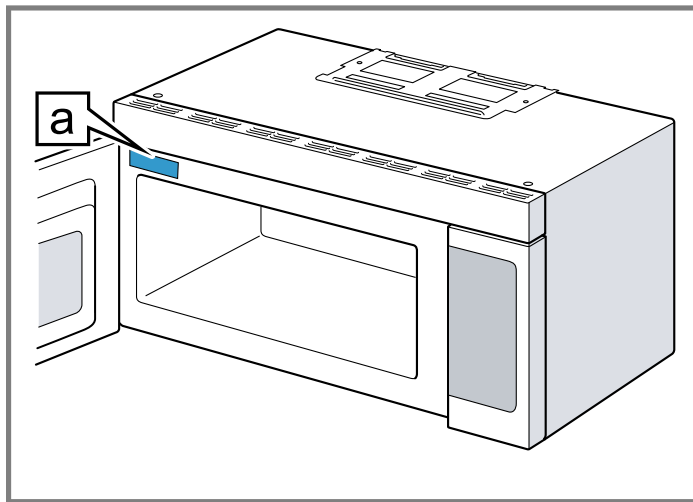
El número de modelo (E-Nr.) y el número de fabricación (FD) se encuentran en la placa de características del aparato.



Para volver a encontrar rápidamente los datos del aparato o el número de teléfono del servicio de atención al cliente, puede anotar dichos datos.

9.2 Ubicación de la placa de características del aparato

La placa de características del aparato se encuentra a la izquierda de la moldura de la puerta.



a Placa de características



Register your appliance to enjoy customized benefits.

Thank you for being a Bosch customer!
Simply create a MyBosch account, then register your appliance.
You'll find a variety of customized information in MyBosch such as:

- **Discounts for filters, cleaners, accessories & parts**
- **Easy access to manuals & appliance specifications**
- **Easy access to part lists**
- **Customized offer for the Bosch Appliance Service Plan (sent by mail after appliance registration)**

Register here:
www.bosch-home.com/us/owner-support/mybosch

BOSCH
HOME APPLIANCES
SERVICE

Looking for help? You'll find it here.

No matter what, no matter when: Bosch is here to support you.
We're here to assist with usage instructions, cleaning tips,
accessories & parts, troubleshooting, and repairs.
Find online resources such as FAQs, how-to-videos, manuals,
warranties and authorized Bosch servicers at:
www.bosch-home.com/us/owner-support/get-support

Contact us:
Please have your Model Number (E-Nr) ready when contacting us.
1-800-944-2904
www.bosch-home.com/us/owner-support/contact-us

BSH Home Appliances Corporation
1901 Main Street, Suite 600
Irvine, CA 92614
USA
www.bosch-home.com
1-800-944-2904
© 2024 BSH Home Appliances Corporation



9001885986 (041016)

en-us, es-mx