



Register your
appliance and join
the Bosch
family of perks:
[bosch-home.com/us/
mybosch](https://bosch-home.com/us/mybosch)



Microwave

HMV8054U HMV8045U HMV8045C

[en-us] Installation Instructions	Microwave	2
[fr-ca] Instructions d'installation	Micro-ondes	17
[es-mx] Instrucciones de instalación	Microondas	35

Table of contents

1 Microwave energy	3
2 IMPORTANT SAFETY INSTRUCTIONS	4
2.1 Safety definitions.....	4
2.2 General information.....	4
2.3 General safety instructions.....	4
2.4 Appliance handling safety	5
2.5 Safety codes and standards.....	5
2.6 Electrical safety.....	5
2.7 GROUNDING INSTRUCTIONS	6
2.8 Microwave safety	6
2.9 State of California Proposition 65 Warnings	6
3 Checklist for installation	7
4 Before you begin	7
4.1 Removing packaging.....	7
4.2 Parts included	7
4.3 Tools and parts needed	8
4.4 Power requirements and grounding	8
5 Location requirements	8
5.1 Installation dimensions	8
5.2 Appliance dimensions	9
6 Electrical installation - GROUNDING INSTRUCTIONS	10
6.1 Electrical requirements.....	10
6.2 Electrical connection	10
7 Installation procedure	10
7.1 Removing the mounting plate.....	10
7.2 Finding the wall studs.....	10
7.3 Preparing the rear wall	11
7.4 Attaching the mounting plate to the wall	11
7.5 Adapting the microwave blower	12
7.6 Preparing the cabinet	14
7.7 Mounting the appliance	14
7.8 Hood exhaust.....	15
8 Testing the operation	16
9 Customer Service	16
9.1 Model number (E-Nr.) and production number (FD)	16
9.2 Rating plate location.....	16

1 Microwave energy

⚠ PRECAUTIONS TO AVOID POSSIBLE EXPOSURE TO EXCESSIVE MICROWAVE ENERGY

- (1) Do not attempt to operate this appliance with the door open, since open-door operation can result in harmful exposure to microwave energy. It is important not to defeat or tamper with the safety interlocks.
- (2) Do not place any object between the appliance front face and the door or allow soil or cleaner residue to accumulate on sealing surfaces.
- (3) Do not operate the appliance if it is damaged. It is particularly important that the appliance door close properly and that there is no damage to the:
 - door (bent)
 - hinges and latches (broken or loosened)
 - door seals and sealing surfaces.
- (4) The appliance should not be adjusted or repaired by anyone except authorized service personnel. Improper installation, service or maintenance can cause injury or property damage. Refer to this manual for guidance.
Refer all servicing to a factory authorized service provider.



IMPORTANT SAFETY INSTRUCTIONS

READ ALL INSTRUCTIONS BEFORE USING THE APPLIANCE

WARNING - Read all instructions carefully before use. These precautions will reduce the risk of burns, electric shock, fire, injury to persons, or exposure to excessive microwave energy. When using kitchen appliances, basic safety precautions must be followed including those in the following pages.

2.1 Safety definitions

Here you can find explanations of the safety signal words used in this manual.

WARNING

This indicates that death or serious injuries may occur as a result of non-observance of this warning.

CAUTION

This indicates that minor or moderate injuries may occur as a result of non-observance of this warning.

NOTICE:

This indicates that damage to the appliance or property may occur as a result of non-compliance with this advisory.

Note: This alerts you to important information and/or tips.

2.2 General information

Here you can find general information about this manual.

- Please read this manual carefully.
- Observe the safety instructions and warnings.
- Keep the manual and the product information in a safe place for future reference or for the next owner.
- Check the appliance for damage after unpacking it. Do not connect the appliance if it has been damaged in transit.

All product manuals may be downloaded online at www.bosch-home.com/us/owner-support/owner-manuals.

2.3 General safety instructions

Read these instructions before beginning the installation of your appliance.

IMPORTANT: SAVE THESE INSTRUCTIONS FOR THE LOCAL ELECTRICAL INSPECTOR'S USE.

INSTALLER: LEAVE THESE INSTRUCTIONS WITH THE APPLIANCE AFTER INSTALLATION IS COMPLETE.

WARNING

If the information in this manual is not followed exactly, fire or shock may result causing property damage or personal injury.

WARNING

When using electrical appliances basic safety precautions should be followed, including the following:

- ▶ Read all instructions before using the appliance.
- ▶ Read and follow the specific PRECAUTIONS TO AVOID POSSIBLE EXPOSURE TO EXCESSIVE MICROWAVE ENERGY found on → *Page 3*
- ▶ This appliance must be grounded. Connect only to properly grounded outlet. See → *"Electrical installation - GROUNDING INSTRUCTIONS", Page 10.*
- ▶ Install or locate this appliance only in accordance with the provided installation instructions.
- ▶ Some products such as whole eggs and sealed containers – for example, closed glass jars – are able to explode and should not be heated in this appliance.
- ▶ Use this appliance only for its intended use as described in the manual. Do not use corrosive chemicals or vapors in this appliance. This type of appliance is specifically designed to heat, cook, or dry food. It is not designed for industrial or laboratory use.
- ▶ **HOT CONTENTS CAN CAUSE SEVERE BURNS. DO NOT ALLOW CHILDREN TO USE THE MICROWAVE.** Use caution when removing hot items.
- ▶ Do not operate this appliance if it has a damaged cord or plug, if it is not working properly, or if it has been damaged or dropped.
- ▶ This appliance should be serviced only by an authorized service provider. Contact nearest authorized service provider for examination, repair, or adjustment.
- ▶ Do not cover or block any vents or openings on the appliance.
- ▶ Do not store this appliance outdoors. Do not use this product near water – for example, near a kitchen sink, in a wet basement, near a swimming pool, or similar locations.
- ▶ Do not immerse cord or plug in water.
- ▶ Keep cord away from heated surface.
- ▶ Do not let cord hang over edge of table or counter.



IMPORTANT SAFETY INSTRUCTIONS

READ ALL INSTRUCTIONS BEFORE USING THE APPLIANCE

- ▶ When cleaning surfaces of door and appliance that come together on closing the door, use only mild, non-abrasive soaps, or detergents applied with a sponge or soft cloth. See door surface cleaning instructions.

WARNING

Do not repair, replace or remove any part of the appliance unless specifically recommended in the manuals. Improper installation, service or maintenance can cause injury or property damage.

- ▶ Refer to this manual for guidance.
 - ▶ All other servicing should be done by an authorized service provider.
- Never modify or alter the construction of the appliance.
- ▶ For example, do not remove leveling legs, panels, wire covers or anti-tip brackets/screws.

WARNING

Remove all tape and packaging before using the appliance.

- ▶ Dispose of packaging in an environmentally responsible manner.
- ▶ Never allow children to play with packaging material.

CAUTION

For general ventilating use only.

- ▶ To avoid a fire or explosion hazard, do not use to exhaust hazardous or explosive materials and vapors.

WARNING

Do not operate gas cooktop burners without pots in place. The open flame may overheat the appliance above. To reduce the risk of fire, use only metal ductwork.

This appliance is suitable for use above gas or electric cooking equipment 36" (914 mm) or less wide.

2.4 Appliance handling safety

WARNING



Unit is heavy and requires at least two people or proper equipment to move.

- ▶ Do not lift appliance by door handle.

WARNING

Hidden surfaces may have sharp edges.

- ▶ Use caution when reaching behind or under appliance.

2.5 Safety codes and standards

This appliance complies with the latest version of one or more of the following standards:

- CAN/CSA C22.2 No. 150 - Microwave Ovens
- CAN/CSA C22.2 No. 61 - Household Cooking Ranges
- CSA C22.2 No. 64 - Household Cooking and Liquid-Heating Appliances
- UL 1026 - Electric Household Cooking and Food Serving Appliances
- UL 923 - Microwave Cooking Appliances
- UL 858 - Household Electric Ranges
- UL 507 - Electric Fans
- CAN/CSA C22.2 No. 113 - Fans and Ventilators

It is the responsibility of the owner and the installer to determine if additional requirements and/or standards apply to specific installations.

2.6 Electrical safety

- **Installer** - show the owner the location of the circuit breaker or fuse. Mark it for easy reference.
- If required by the National Electrical Code (or Canadian Electrical Code), this appliance must be installed on a separate branch circuit.
- Local codes vary. The installer is responsible for ensuring that the installation, connections, and grounding comply with all applicable codes. The manufacturer is not responsible for improper installation or the failure to follow appropriate local codes and regulations.
- Be sure your appliance is properly installed and grounded by a qualified technician. Installation, electrical connections and grounding must comply with all applicable codes.
- Refer to the rating plate for more information.
→ "Rating plate location", Page 16

WARNING

Before installing, turn power OFF at the service panel.

- ▶ Lock service panel to prevent power from being turned ON accidentally.

The appliance must be disconnected from the source of supply before attempting the installation.

For appliances equipped with a cord and plug, do not cut or remove the ground prong.

- ▶ It must be plugged into a matching grounding type receptacle to avoid electrical shock.

SAVE THESE INSTRUCTIONS.



IMPORTANT SAFETY INSTRUCTIONS

READ ALL INSTRUCTIONS BEFORE USING THE APPLIANCE

- ▶ If there is any doubt as to whether the wall receptacle is properly grounded, the customer should have it checked by a qualified electrician.

Before you plug in an electrical cord or turn on power supply, make sure all controls are in the OFF position.

2.7 GROUNDING INSTRUCTIONS

This appliance must be grounded. Grounding reduces the risk of electric shock by providing a safe pathway for electric current in the event of a short circuit.

This appliance must be grounded. Connect only to properly grounded outlet.

→ *"Electrical installation - GROUNDING INSTRUCTIONS", Page 10*

WARNING

IMPROPER GROUNDING CAN RESULT IN A RISK OF ELECTRIC SHOCK

- ▶ Consult a qualified electrician if the grounding instructions are not completely understood, or if doubt exists as to whether the appliance is properly grounded.
- ▶ DO NOT USE AN EXTENSION CORD.
- ▶ If the power supply cord is too short, have a qualified electrician install an outlet near the appliance.

This appliance is equipped with a cord having a grounding wire with a grounding plug. The plug must be plugged into an outlet that is properly installed and grounded.

2.8 Microwave safety

PRECAUTIONS TO BE OBSERVED BEFORE AND DURING SERVICING TO AVOID POSSIBLE EXPOSURE TO EXCESSIVE MICROWAVE ENERGY

- Do not operate or allow the appliance to be operated with the door open.
- Make the following safety checks on all appliances to be serviced before activating the magnetron or other microwave source, and make repairs as necessary:
 - Interlock operation
 - Proper door closing
 - Seal and sealing surfaces (arcing, wear, and other damage)
 - Damage to or loosening of hinges and latches
 - Evidence of dropping or abuse

- Before turning on microwave power for any service test or inspection within the microwave generating compartments, check the magnetron, wave guide or transmission line, and cavity for proper alignment, integrity, and connection.
- Any damaged or misadjusted components in the interlock, monitor, door seal, and microwave generation and transmission systems shall be repaired, replaced, or adjusted by procedures described in this manual before the appliance is released to the owner.
- A microwave leakage check to verify compliance with the Federal Performance Standard should be performed on each appliance prior to release to the owner.

2.9 State of California Proposition 65 Warnings

This product may contain a chemical known to the State of California, which can cause cancer or reproductive harm. Therefore, the packaging of your product may bear the following label as required by California:

STATE OF CALIFORNIA PROPOSITION 65 WARNING:



WARNING

Cancer and Reproductive Harm - www.P65Warnings.ca.gov

3 Checklist for installation

Use this checklist to verify that you have completed each step of the installation process. This can help you avoid common mistakes.

Refer to detailed instructions for each step in the sections following this checklist. Always read and follow the complete installation instructions contained in this manual.

- Before installing the appliance, be sure to verify the cabinet dimensions are correct for your appliance and that the required electrical connections are present. Make sure the electrical cord provided on the appliance is able to reach to the point of connection.
→ "Location requirements", Page 8
- "Electrical installation - GROUNDING INSTRUCTIONS", Page 10
- Move the appliance into place in front of the cabinet opening.
- Remove packaging materials, leaving the bottom packaging on the appliance to avoid damage to the floor.
→ "Removing packaging", Page 7
- Remove the mounting plate from the rear of the appliance.
→ "Removing the mounting plate", Page 10
- Find wall studs.
→ "Finding the wall studs", Page 10
- Attach the mounting plate to the wall.
→ "Attaching the mounting plate to the wall", Page 11
- Adapt the microwave blower.
→ "Adapting the microwave blower", Page 12
- Prepare the cabinet for mounting.
→ "Preparing the cabinet", Page 14
- At least two persons are needed to lift the appliance; tilt and hook the appliance to the holding plate.
→ "Mounting the appliance", Page 14
- Push the appliance all the way into place and fasten the holding screws through top cabinet holes.
→ "Mounting the appliance", Page 14
- Use correct hood exhaust.
→ "Hood exhaust", Page 15
- Test the appliance for proper functioning.

4 Before you begin

Read these instructions before you begin to install your appliance.

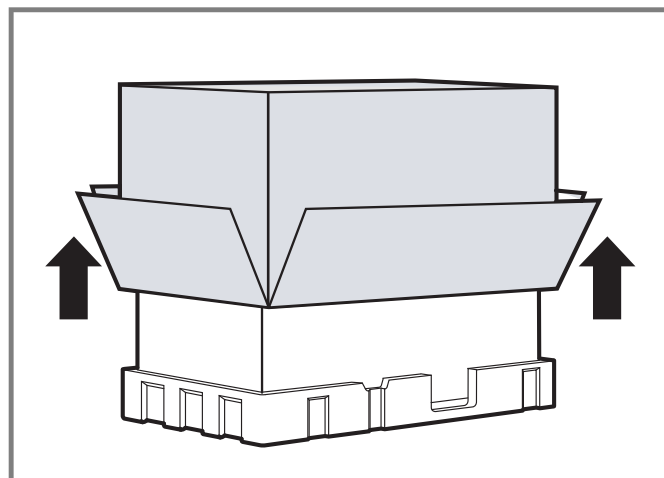
This Installation Instructions covers several models. All graphics are representative. Your appliance may vary in appearance and features.

4.1 Removing packaging

NOTICE:

To avoid damage to the appliance, do not grip or use the door or door handle while the appliance is being moved.

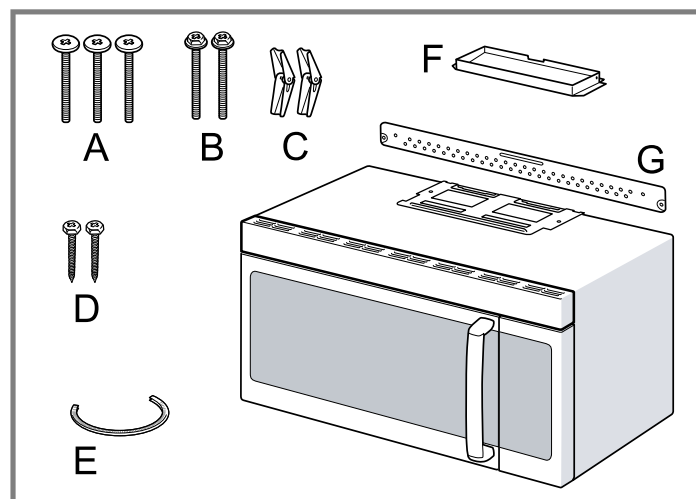
1. Remove filters, accessories and hardware. Do not remove the packaging protecting the front of the appliance.
2. Fold back all four carton flaps fully against carton sides.
3. Carefully roll the appliance and carton over onto the top side. The appliance should be resting in the Styrofoam.
4. Pull the carton up and off the appliance.



5. Cut the middle of the outer protective plastic bag to remove the mounting plate.

4.2 Parts included

After unpacking all the parts, check for any damage in transit and for completeness of delivery.



A	Top mounting bolts: Self-aligning machine screws 1/4" - 28 x 3 1/4"
B	Toggle bolts - 3/16" x 3"
C	Wall mounting hardware: Toggle wings
D	Wood screws 1/4" x 2"
E	Nylon grommet (for metal cabinets)
F	Exhaust adapter
G	Mounting plate (attached to the back of the appliance)

Not shown:

- Top cabinet template
- Rear wall template
- Metal grease filters
- Charcoal filter (factory fitted in the appliance)

4.3 Tools and parts needed

Prepare these tools and accessories before you start to install your appliance.

- Cross head screwdriver
- Pencil
- Measuring tape
- Straight edge
- Drill
- Drill bits: 3/16", 1/2", 5/8"
- Safety gloves
- Saw (saber, hole or keyhole)
- Stud finder or hammer
- Safety glasses
- Level
- Aluminum tape (DO NOT use insulating or cloth duct tape)

Optional tools:

- Carpenter square
- Tin snips
- Scissors
- Filler blocks or scrap wood pieces (for recessed bottom cabinet installations)

4.4 Power requirements and grounding

The outlet must be properly grounded in accordance with all applicable codes.

The outlet can be installed anywhere inside the cabinet above the appliance, within reach of the power cord (approx. 24 in).

5 Location requirements

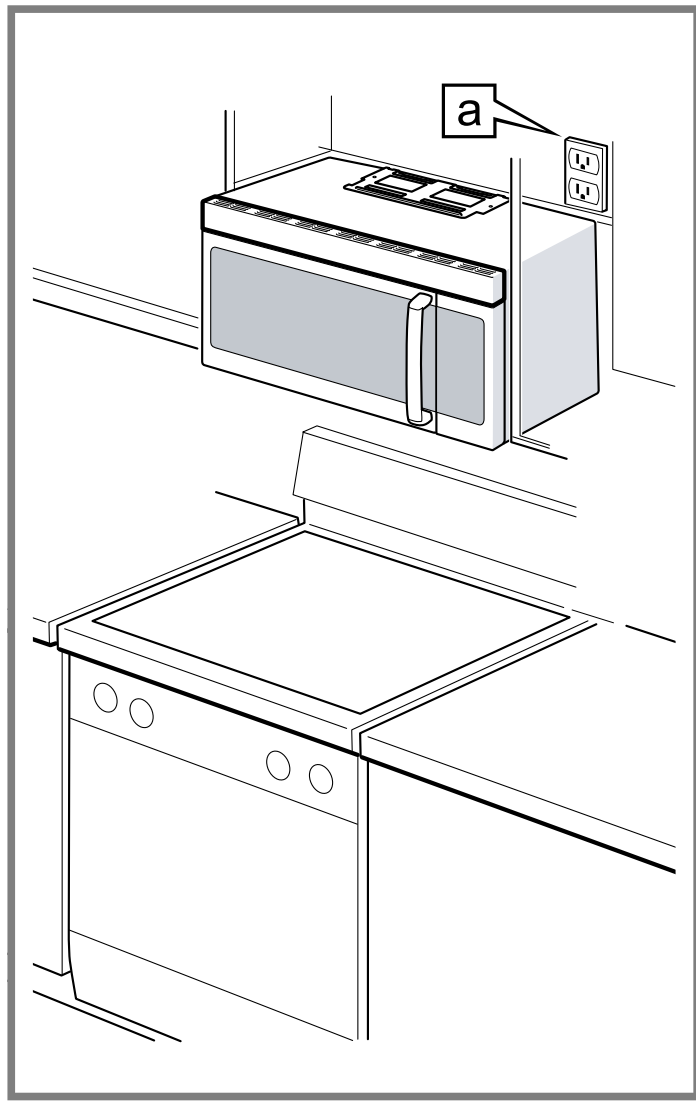
5.1 Installation dimensions

⚠ WARNING

This appliance must be mounted at a minimum height of 36" (914 mm).

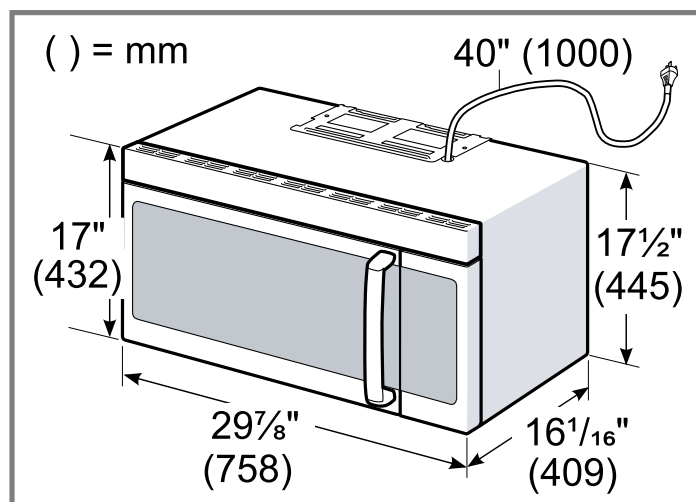
⚠ CAUTION

This appliance is to be mounted only above countertop level.

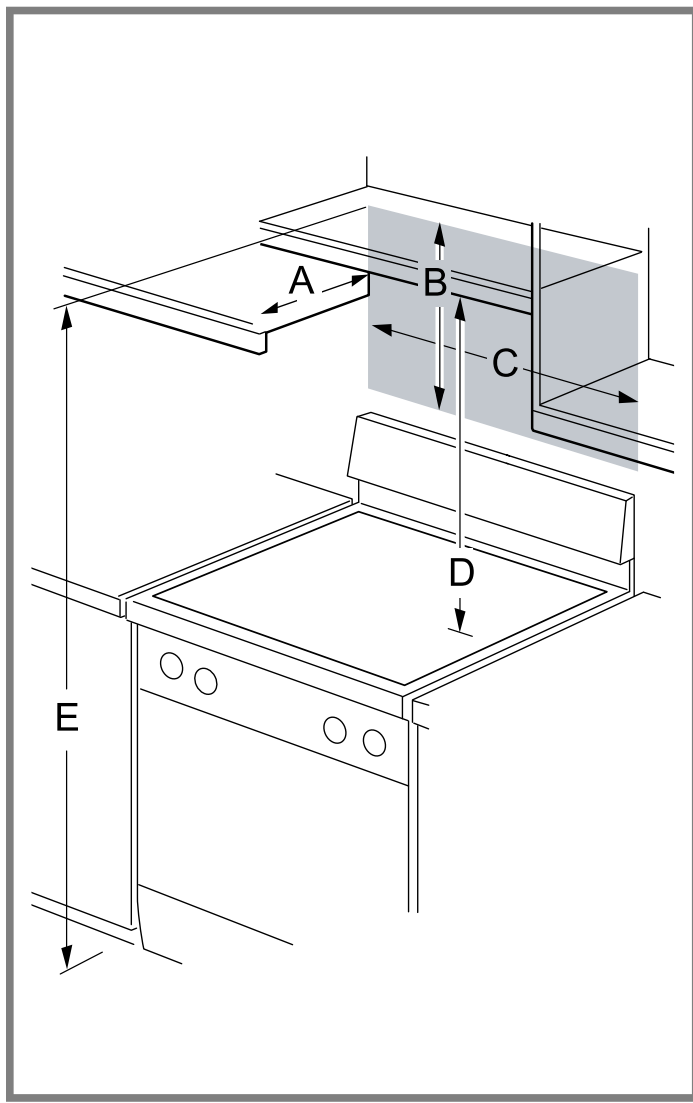


a Grounded 120V outlet located inside the cabinet above the appliance, right side shown as example.

5.2 Appliance dimensions



Note: Take into account that the front and rear measurements of the appliance are not identical.



A min. 12" (305 mm)
max. 14" (356 mm)

B min. 17 1/2" (446 mm)

C min. 30" (762 mm)
cabinet opening width

D min. 30" (762 mm)
For optimal performance and reliability, the manufacturer recommends 33"-36" clearance, although the minimum allowable clearance is noted 30".

E min 66" (1676 mm)

6 Electrical installation - GROUNDING INSTRUCTIONS

Read these instructions to safely connect your appliance to the electrical supply.

6.1 Electrical requirements

Make sure your electrical installation supports the following requirements.

⚠ WARNING

Electrical grounding instructions

- ▶ This appliance is equipped with a three-prong grounding plug for your protection against shock hazard and should be plugged directly into a properly grounded receptacle. **DO NOT** cut or remove the grounding prong from this plug.

Model	Connection	Circuit requirements
HMV8054U	NEMA 5-15	120 V / 60 Hz; 15 A
HMV8045U	NEMA 5-15	120 V / 60 Hz; 15 A
HMV8045C	NEMA 5-15	120 V / 60 Hz; 15 A

6.2 Electrical connection

⚠ WARNING

The voltage used must be the same as specified on this appliance. Using a higher voltage is dangerous and may result in a fire or appliance damage.

Electrical requirements:

- All 120 volt models must be plugged into a mating 3-prong, grounding-type receptacle.
- The receptacle must be connected to a properly dedicated grounded and polarized electrical power supply rated at 120 VAC, single phase, 60 Hz.
- 15 A electrical supply with a fuse or a circuit breaker.
- This product must be connected to a dedicated supply circuit of the proper voltage and frequency.
- Wire size must conform to the requirements of the National Electric Code or the prevailing local code for this rating.
- The power supply cord should be plugged into a separate 15 A single-phase grounded receptacle outlet.
- The outlet box should be located in the area behind the appliance.
 - "Installation dimensions", Page 8
- The outlet box and dedicated supply circuit should be installed by a qualified electrician and conform to the National Electrical Code or the prevailing local code.
- The voltage used must be the same as specified on the rating plate of this appliance.
 - "Rating plate location", Page 16. Using a higher voltage is dangerous and may result in a fire or appliance damage.
- Using a lower voltage will cause slow cooking. The manufacturer is not responsible for any damages resulting from the use of the appliance with any voltage other than specified.
- The appliance should only be connected to a dedicated circuit (with ground) that has been installed according to relevant regulations.

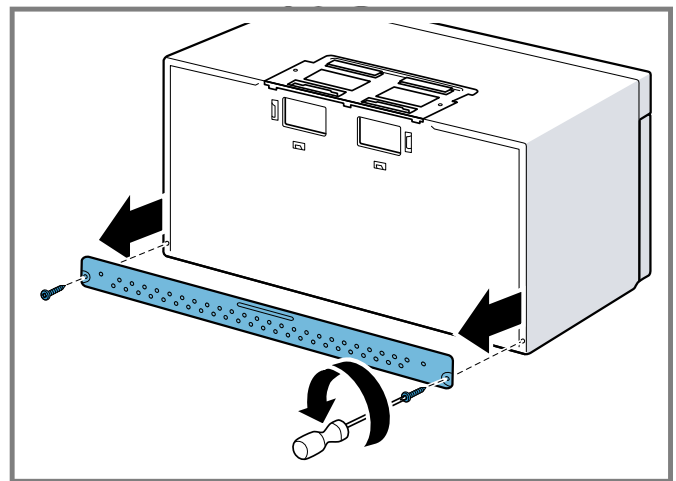
7 Installation procedure

7.1 Removing the mounting plate

NOTICE:

To avoid damage to the appliance, do not grip or use the door or door handle while the appliance is being moved. To avoid possible damage to the work surface or to the bottom of the appliance, cover the work surface.

1. Remove any remaining contents from the appliance cavity.
2. Remove the screws from the mounting plate.
 - The mounting plate will be used as the rear wall template and for mounting.



3. Reinstall the screws into the holes where they were removed.

7.2 Finding the wall studs

The appliance must be secured to at least one wall stud. If no wall studs exist within the cabinet opening, do not install the appliance.

1. Locate the edges of the wall studs within the cabinet opening by using:

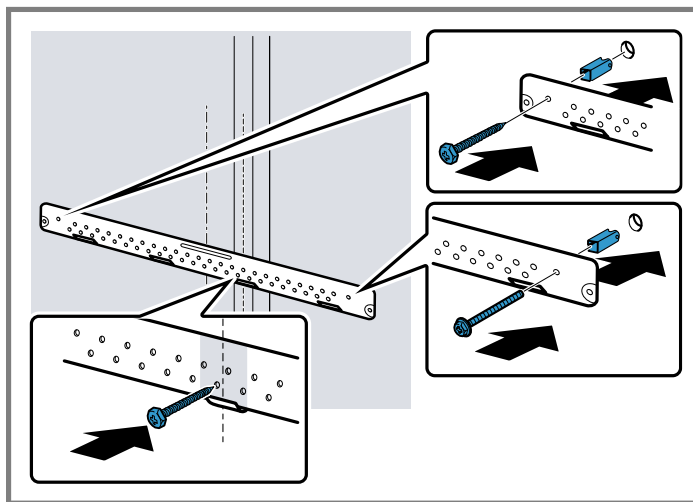
- a stud finder, or
 - a hammer; tap lightly across the mounting surface to find a solid sound
2. Place a mark halfway between the edges of the wall studs and draw a line down the center of the studs. See possible wallstuds configuration. → Page 11

Possible wall stud configurations

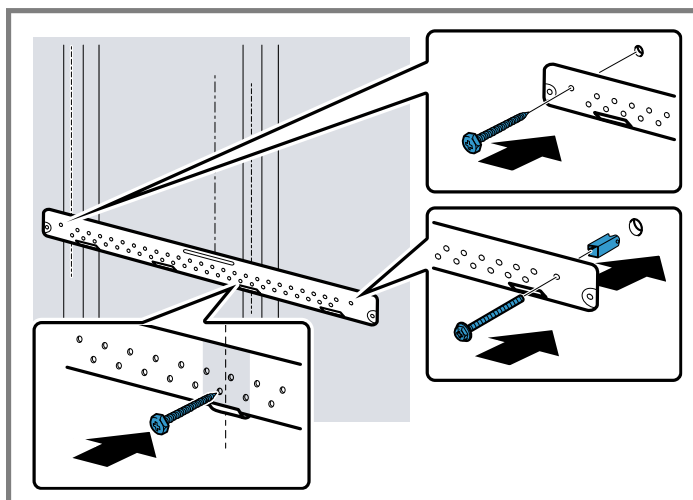
These depictions show examples of preferred installation configurations with the mounting plate.

No wall studs at corner holes

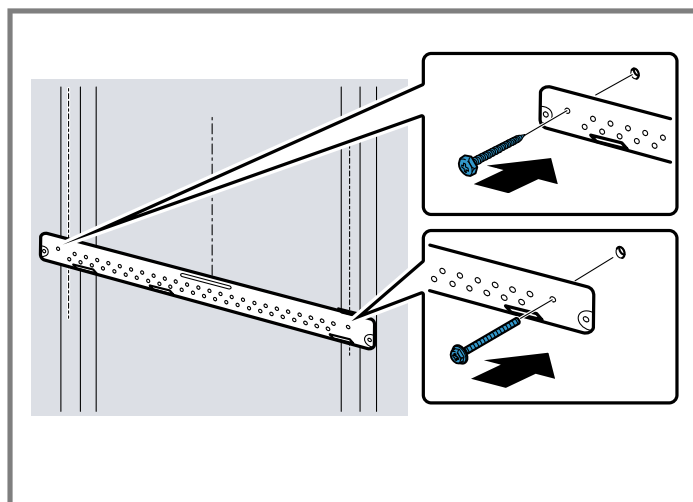
If the wall stud is within 6¼" (159 mm) of the vertical center line, only room venting (recirculation) or roof venting installations can be done.



Wall studs at one corner holes



No wall studs at both corner holes



7.3 Preparing the rear wall

1. Make sure the cabinet bottom is level.
2. Draw a vertical line on the wall at the center of the cabinet space.
3. **For cabinet with front overhang:** Draw a line on the back wall equal to the depth of the front overhang.
4. Tape the REAR WALL TEMPLATE onto the wall matching the centerline and touching the bottom of the cabinet or the level line.
5. Draw a horizontal line on the wall at the bottom of the REAR WALL TEMPLATE.
6. Drill holes at locations A and B on the REAR WALL TEMPLATE:

- 3/16" (5 mm) holes for wood screws (stud)
- 5/8" (16 mm) holes for toggle bolts (no stud)

If neither **A** nor **B** is in a stud, find a stud somewhere in the area of the mounting plate and drill a 3/16" (5 mm) hole.

It is important to use at least one wood screw mounted firmly in a stud to support the weight of the appliance.

7. **⚠ CAUTION** Wall venting installation:
 - ▶ If the exhaust adaptor is positioned outside consider the recommended dimensions, otherwise grease-laden air will discharge into the house structure.

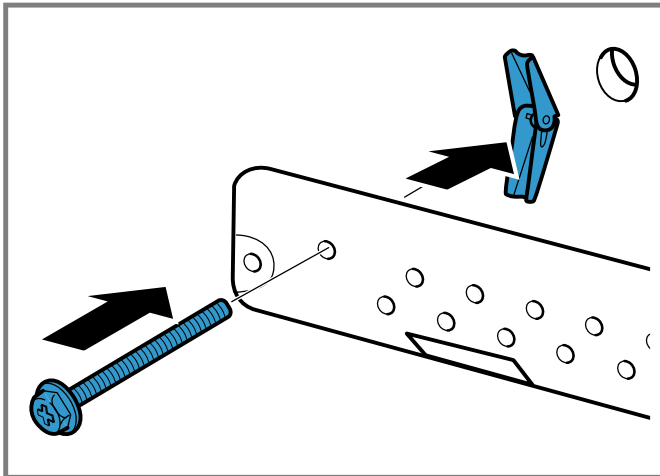
Wall venting installation only: Cut out the shaded area **F** on the REAR WALL TEMPLATE using a saber or keyhole saw.

8. Remove the REAR WALL TEMPLATE.

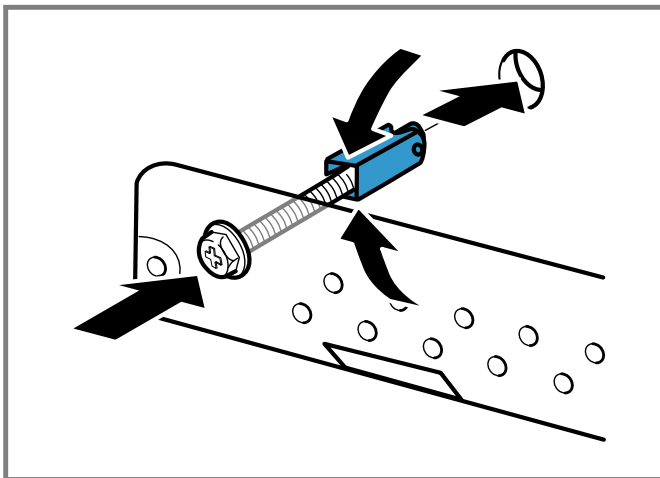
7.4 Attaching the mounting plate to the wall

1. Remove the toggle wings from the bolts.

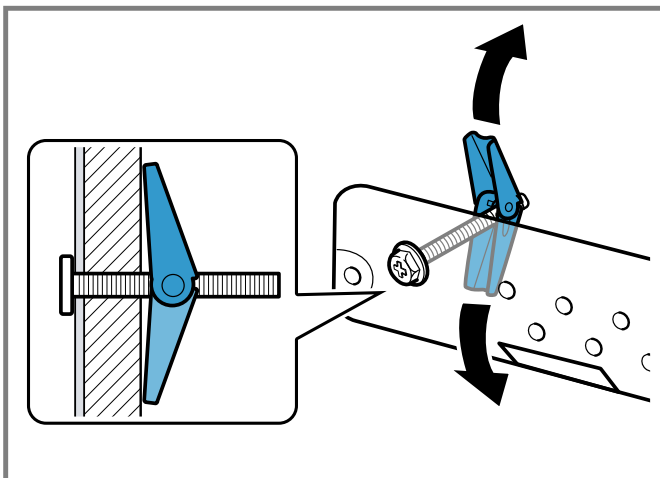
2. Insert the bolts into the mounting plate through the holes designated to go into drywall.



3. Attach the toggle wings from the back of the mounting plate onto each bolt. Leave enough space for the toggle wings to go through the wall and to open.



4. Place the mounting plate against the wall and push the bolts through the drywall.
5. Finger tighten the bolts to make sure the toggle wings have opened against the drywall.



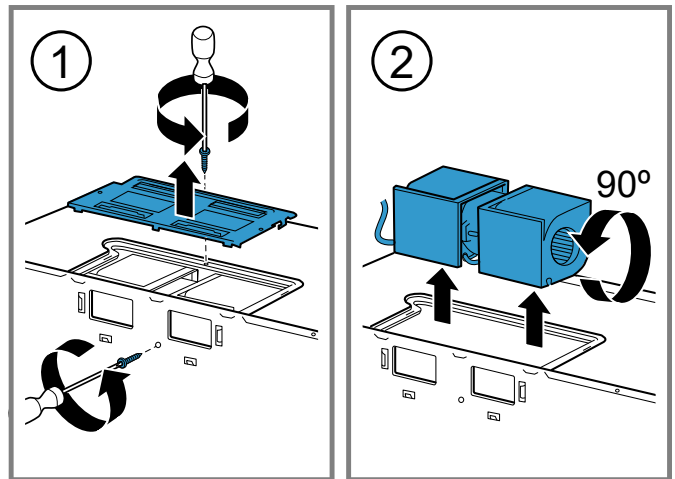
6. Verify that the mounting plate is properly centered and level.
7. Securely tighten all screws, including the wood screw.

7.5 Adapting the microwave blower

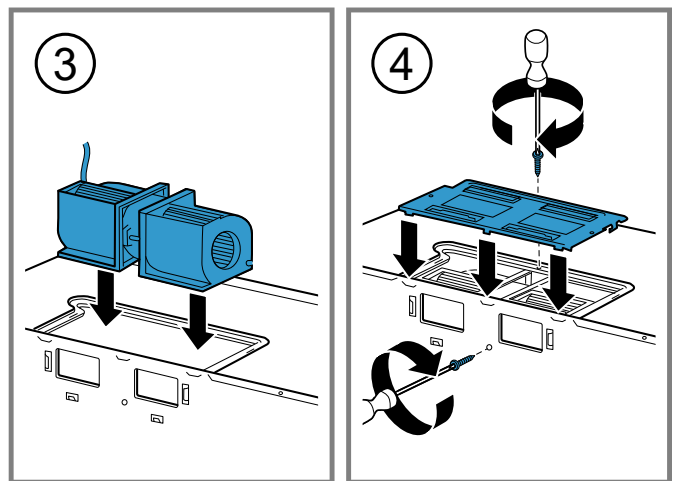
The appliance is shipped assembled for room venting installation. The microwave blower unit is already in place and does not need to be adapted for room venting. For roof or wall venting adjust the microwave blower unit as described in the relevant section.

Adapting the microwave blower for roof venting

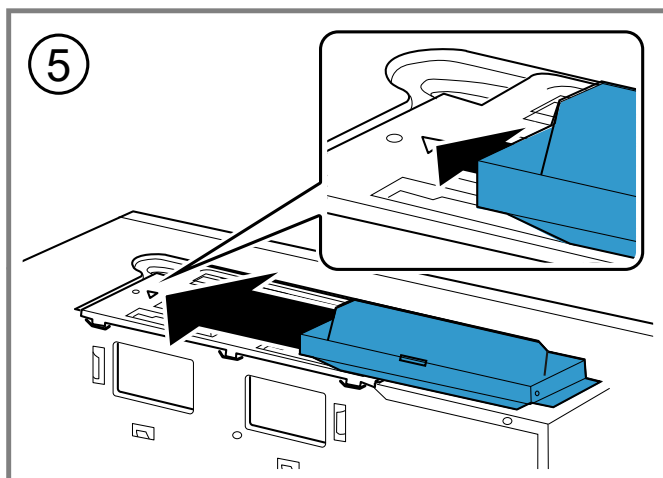
1. Remove and save the screws holding the blower motor and the blower plate. Lift up the blower plate and put it aside.
2. Carefully pull out the blower unit and rotate it by 90° so that the fan blade openings are facing out the top of the appliance.



3. **⚠ CAUTION** Do not pull or stretch the blower unit wiring. Make sure the wires are not pinched, and that they are properly secured.
Place the blower unit back into the opening.
4. Replace the blower plate and secure it with the screws removed in step ①.

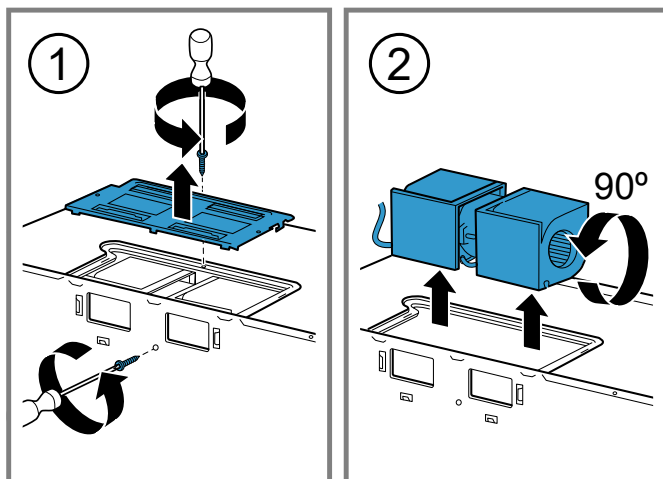


5. Attach the exhaust adapter to the top of the blower plate by sliding it into the guides. Push it in securely until it is in the locking tabs. Make sure the damper hinge swings freely.



Adapting the microwave blower for wall venting

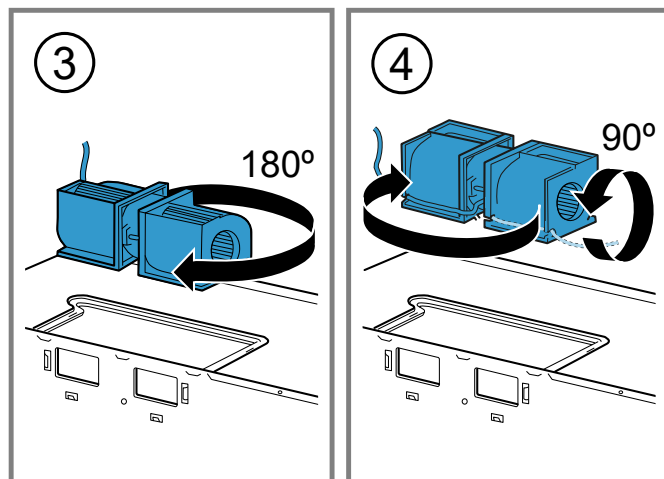
1. Remove and save the screws holding the blower motor and the blower plate. Lift up the blower plate and put it aside.
2. Carefully pull out the blower unit and rotate 90° so that fan blade openings are facing out the top of the appliance.



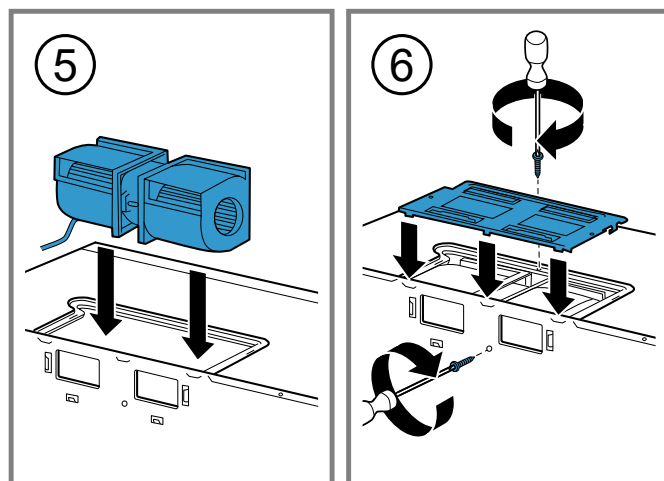
3. Rotate the blower unit counterclockwise by 180°.

4. **⚠ CAUTION** Do not pull or stretch the blower unit wiring. Make sure the wires are not pinched, and that they are properly secured.

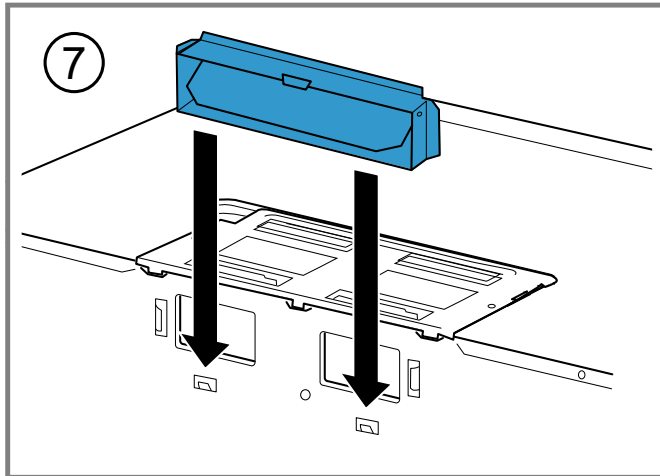
Gently remove the wires from the grooves. Reroute the wires through the grooves on other side of the blower unit. Rotate the blower unit by 90° so that fan blade openings are facing out the back of the appliance.



5. Place the blower unit back into the opening.
6. Replace the blower plate and secure it with the screws removed in step ①.



- Attach the exhaust adapter to the rear of the appliance by sliding it into the guides. Push it in securely until it is in the lower locking tabs. Make sure the damper hinge swings freely.



7.6 Preparing the cabinet

- Disconnect power supply to the outlet at the circuit breaker box.
- Remove all contents from the upper cabinet.
- Tape the TOP CABINET TEMPLATE onto the bottom surface of the cabinet. Make sure the template centerline aligns with the vertical line on the wall. The rear wall arrows must be against rear wall.

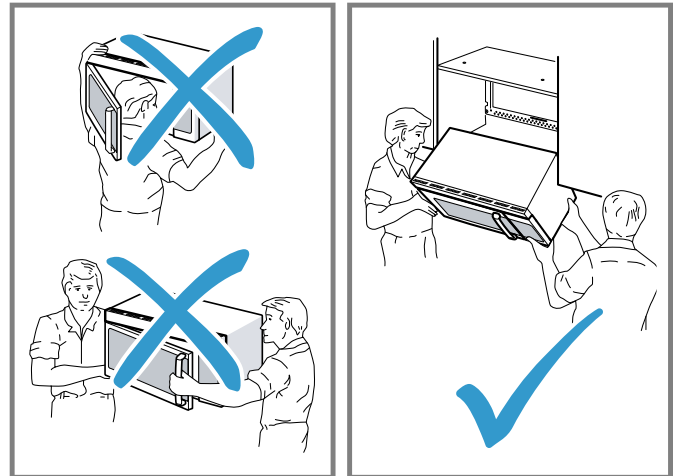
Note: For a recessed cabinet bottom, trim the template edges so that it fits inside the recessed area. The template has trim lines to use as guides.
- Drill $\frac{3}{8}$ " (10 mm) holes at locations **A**, **B** and **C** of the TOP CABINET TEMPLATE.
- For roof venting installation only:** Cut out the shaded area **E** on the TOP CABINET TEMPLATE using a saber or keyhole saw.
- Remove the templates from back wall and cabinet.

7.7 Mounting the appliance

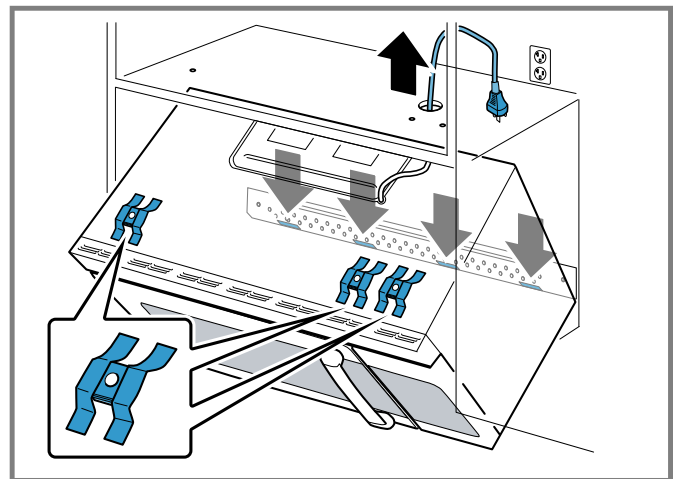
Notes

- If the bottom of the upper cabinet is recessed or has front overhang, you will need to prepare filler blocks to provide additional support for the bolts. Size of the filler blocks: 2" x 2" (51 mm x 51 mm) - depth equivalent to cabinet recess or overhang.
 - Mark the center of each filler block and drill a $\frac{3}{8}$ " (10 mm) diameter hole.
 - Align the filler blocks over the three openings on top of the appliance and attach them with masking tape.

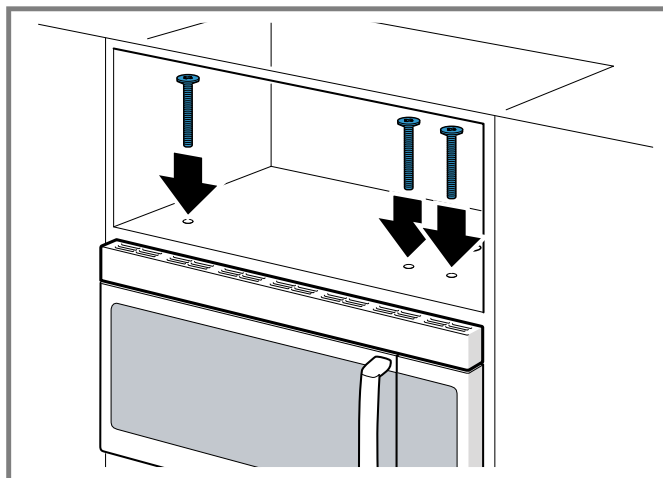
- Use at least two people to install the appliance. Do not grip or use the door handle during the installation.



- When mounting the appliance, thread the power cord through the hole in the bottom of the top cabinet. Keep the cord tight and do not pinch it, especially when mounting flush to the bottom of the cabinet. Do not pull the cord to lift the appliance.
- Lift the appliance, tilt it forward, and hook the slots at the back bottom edge onto the four lower tabs of the mounting plate.
 - Rotate the front of the appliance up against the cabinet bottom.

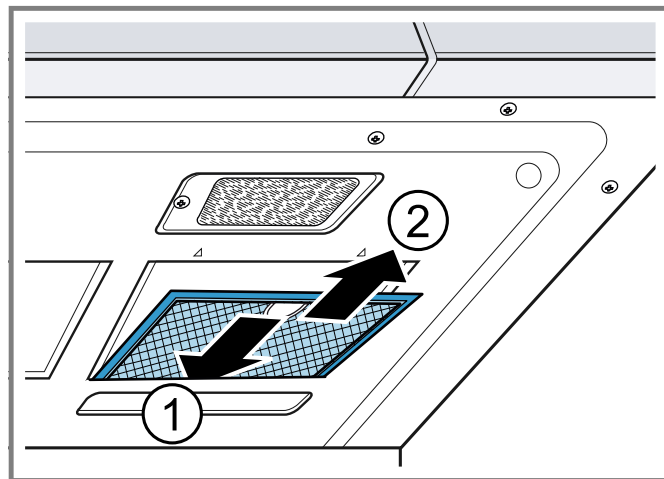


3. Insert a self-aligning screw (item A in parts list) through the top center cabinet hole. Temporarily secure the appliance by turning the screw at least two full turns after the threads have engaged.



4. Tighten the center screw completely.
5. Tighten the outer 2 screws completely to the top of the appliance holding the appliance in place against the wall and the top cabinet.

6. Install the grease filters at the bottom of the appliance:
 - Slide the 2 pins at the rear side of the filter into the slots at the rear of the filter opening.
 - Push up the filter at the front until the catch locks in place with a click.







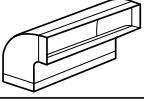
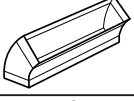
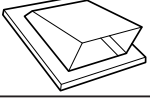
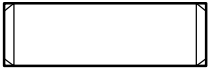
7.8 Hood exhaust

When venting exhaust to the outside, hood exhaust ducts will be required. Read the following instructions carefully.

Notes

- It is important that venting be installed using the most direct route and with as few elbows as possible. This ensures clear venting of exhaust and helps prevent blockages.
- Make sure dampers swing freely and nothing is blocking the ducts.
- The hood exhaust has been designed to mate with a standard 3¼" x 10" (82 x 254 mm) rectangular duct. If a round duct is required, a rectangular-to-round transition adaptor must be used.
- Do not use less than a 6" (152 mm) diameter duct. For satisfactory air movement, the total duct length of 3¼" x 10" (82 x 254 mm) rectangular or 6" (152 mm) diameter round should not exceed 120 equivalent feet (36.5 m).
- Elbows, transitions, wall and roof caps etc. cause additional resistance to airflow and are equivalent to a section of straight duct which is longer than their actual physical size. When calculating the total duct length, add the equivalent lengths of all transitions and adaptors plus the length of all straight duct sections. The chart below shows you how to calculate total equivalent ductwork length using the approximate feet of equivalent length of some typical ducts. Equivalent lengths of duct pieces are based on actual tests and reflect requirements for good venting performance with any vent hood.

Duct piece			x Number used	= Equivalent length
	Rectangular-to-round transition adaptor If a rectangular-to-round transition adapter is used, first make sure the damper hinge of the appliance swings freely. If necessary, cut the damper to fit, using the tin snips, in order to allow free movement.	5 ft. (1.5 m)	x	=
	Wall cap	40 ft. (12.2 m)	x	=
	90° Elbow	10 ft. (3 m)	x	=

Duct piece			x Number used	= Equivalent length
	45° Elbow	5 ft. (1.5 m)	x	=
	90° Elbow	25 ft. (7.6 m)	x	=
	45° Elbow	5 ft. (1.5 m)	x	=
	Roof cap	24 ft. (7.3 m)	x	=
	Straight duct <ul style="list-style-type: none"> ■ 6" (152 mm) round or ■ 3¼" x 10" (82 x 254 mm) rectangular 	1 ft. (0.3 m)	x	=

8 Testing the operation

Check if your appliance is working properly after you have completed the installation steps.

1. Turn on power at the breaker.
2. Select the CONVECTION mode. See Use and Care Manual for detailed operation instructions.
- ✓ Verify that the appliance cavity light comes on and the appliance begins to preheat.
3. Test the microwave: Place a cup of water into the appliance cavity. See Use and Care Manual on how to heat a beverage.
- ✓ Verify that the appliance cavity light comes on and the water is heated.
4. If any of the tests do not result as explained above, contact Customer Service for assistance.

9 Customer Service

With any warranty repair, we will make sure your appliance is repaired by an authorized service provider using genuine replacement parts. We use only genuine replacement parts for all repairs. Detailed information on the warranty period and terms of warranty can be found in the Statement of Limited Product Warranty, from your retailer, or on our website. If you contact Customer Service, you will need the model number (E-Nr.) and the production number (FD) of your appliance.

USA:

1-800-944-2904

www.bosch-home.com/us/owner-support/get-support

www.bosch-home.com/us/shop

CA:

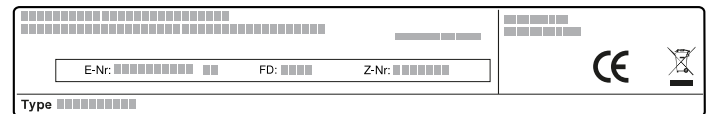
1-800-944-2904

www.bosch-home.ca/en/service/get-support

www.bosch-home.ca/en/service/cleaners-and-accessories

9.1 Model number (E-Nr.) and production number (FD)

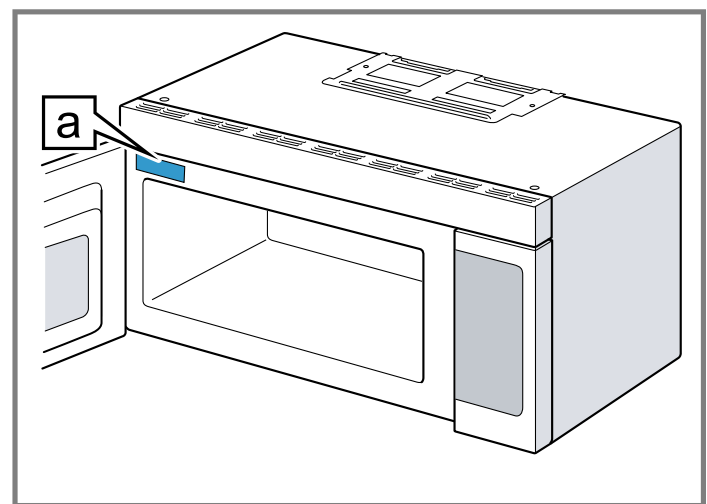
You can find the model number (E-Nr.) and the production number (FD) on the appliance's rating plate.



Making a note of your appliance's details and the Customer Service telephone number will enable you to find them again quickly.

9.2 Rating plate location

You can find the rating plate of your appliance at the left side of the door trim.



a Rating plate

Table des matières

1 Énergie micro-ondes	18
2 IMPORTANTES CONSIGNES DE SÉCURITÉ	19
2.1 Définitions des termes de sécurité	19
2.2 Informations générales.....	19
2.3 Consignes générales de sécurité	19
2.4 Manipulation sécuritaire des appareils	20
2.5 Codes et normes de sécurité	20
2.6 Sécurité électrique	21
2.7 INSTRUCTIONS DE MISE À LA TERRE	21
2.8 Sécurité du micro-ondes	21
2.9 Mises en garde conformément à la proposition 65 de l'État de Californie	22
3 Liste de vérification de l'installation.....	23
4 Avant de commencer.....	23
4.1 Retrait de l'emballage	23
4.2 Pièces incluses	24
4.3 Outils et pièces nécessaires.....	24
4.4 Exigences d'alimentation et mise à la terre	24
5 Exigences concernant l'emplacement	24
5.1 Dimensions de l'installation	24
5.2 Dimensions de l'électroménager	26
6 Installation électrique - INSTRUCTIONS DE MISE À LA TERRE.....	27
6.1 Exigences électriques	27
6.2 Raccordement électrique	27
7 Procédure d'installation	27
7.1 Retrait de la plaque de montage	27
7.2 Localisation des poteaux de mur.....	28
7.3 Préparation de la paroi arrière.....	28
7.4 Fixation de la plaque de montage au mur	29
7.5 Adaptation de la ventilation du micro-ondes.....	29
7.6 Préparation de l'armoire	31
7.7 Montage de l'appareil	31
7.8 Hotte de ventilation	32
8 Opération d'essai.....	33
9 Service à la clientèle.....	33
9.1 Numéro de modèle (E-Nr.) et numéro de fabrication (FD)	34
9.2 Emplacement de la plaque signalétique	34

1 Énergie micro-ondes

▲ MESURES DE PRÉCAUTION POUR ÉVITER L'EXPOSITION EXCESSIVE À L'ÉNERGIE MICRO-ONDE

(1) Lorsque vous faites fonctionner l'appareil, ne laissez pas la porte de l'appareil ouverte car l'exposition à l'énergie micro-onde peut être nocive. Il est important de ne pas endommager les verrous de sécurité et de ne pas essayer de les forcer.

(2) Aucun objet ne doit empêcher la porte de l'appareil de bien se refermer et ne laissez pas les résidus d'aliments ou de produit d'entretien s'accumuler sur les joints d'étanchéité.

(3) Ne faites pas fonctionner l'appareil s'il est endommagé. Il est particulièrement important que la porte de l'appareil puisse être refermée correctement, et donc que les pièces suivantes ne soient pas endommagées :

- poorte(bosselée)
- charnières et loquets (brisés ou desserrés)
- joints de porte et surfaces d'étanchéité.

(4) Confier toute réparation ou réglage uniquement à un personnel autorisé par l'usine. Toute installation, réparation ou maintenance inadéquate peut entraîner des blessures ou des dommages matériels. Se reporter à ce manuel pour obtenir des conseils sur la façon de procéder. Toute réparation doit être confiée à un centre de service agréé par l'usine.



IMPORTANTES CONSIGNES DE SÉCURITÉ

LISEZ TOUTES LES INSTRUCTIONS AVANT D'UTILISER L'APPAREIL

ATTENTION - Lisez toutes les instructions attentivement avant l'utilisation. Ces précautions réduiront le risque de brûlures, de choc électrique, d'incendie, de blessures corporelles ou d'exposition à une énergie micro-ondes excessive. Lorsque vous utilisez des appareils électroménagers de cuisine, il importe de suivre des précautions de sécurité de base, y compris celles indiquées dans les pages suivantes.

2.1 Définitions des termes de sécurité

Vous trouverez ici des explications sur les mots de signalisation de sécurité utilisés dans ce manuel.

AVERTISSEMENT

Signale un risque de mort ou de blessure grave si l'avertissement n'est pas respecté.

MISE EN GARDE

Signale un risque de blessures mineures ou modérées si l'avertissement n'est pas respecté.

AVIS :

Ceci indique que la non-conformité à cet avis de sécurité peut entraîner des dégâts matériels ou endommager l'appareil.

Remarque : Ceci vous signale des informations et/ou indications importantes.

2.2 Informations générales

Vous trouverez ici des informations générales sur ce manuel.

- Veuillez lire attentivement ce manuel.
- Respectez les consignes de sécurité et les avertissements.
- Conservez le manuel et les informations sur le produit dans un endroit sûr pour référence future ou pour le prochain propriétaire.
- Vérifiez que l'appareil n'est pas endommagé après l'avoir déballé. Ne branchez pas l'appareil s'il a été endommagé pendant le transport.

Tous les manuels des produits peuvent être téléchargés en ligne à l'adresse www.bosch-home.ca/fr/service/manuels-utilisateur.

2.3 Consignes générales de sécurité

Lisez ces instructions avant de commencer l'installation de votre appareil.

IMPORTANT : CONSERVEZ CES INSTRUCTIONS POUR L'UTILISATION DE L'INSPECTEUR ÉLECTRIQUE LOCAL.

INSTALLATEUR : LAISSEZ CES INSTRUCTIONS AVEC L'APPAREIL UNE FOIS L'INSTALLATION COMPLÈTE.

AVERTISSEMENT

Si les consignes du présent manuel ne sont pas suivies à la lettre, il y a un risque d'incendie ou d'électrocution pouvant entraîner des dommages matériels ou des blessures.

AVERTISSEMENT

Quand vous utilisez des appareils électriques, observez les consignes de sécurité de base, y compris ce qui suit :

- ▶ Lisez toutes les instructions avant d'utiliser l'appareil.
- ▶ Lisez et suivez les PRÉCAUTIONS spécifiques POUR ÉVITER UNE EXPOSITION ÉVENTUELLE À UNE ÉNERGIE EXCESSIVE DES MICRO-ONDES figurant dans → *Page 18*
- ▶ Cet appareil doit être mis à la terre. Raccordez l'appareil uniquement à une prise de courant correctement mise à la terre. Voir → "*Installation électrique - INSTRUCTIONS DE MISE À LA TERRE*", *Page 27*.
- ▶ Installez ou aménagez cet appareil uniquement en conformité avec les instructions d'installation fournies.
- ▶ Certains produits comme des œufs entiers et des contenants scellés – par exemple, des pots en verre scellés – peuvent éclater et ne doivent pas être chauffés dans cet appareil.
- ▶ Utilisez cet appareil uniquement dans le cadre de l'utilisation prévue tel que décrit dans ce manuel. N'utilisez pas de produits chimiques corrosifs ou des vapeurs dans cet appareil. Ce type d'appareil est spécifiquement conçu pour chauffer, cuire ou sécher des aliments. Il n'est pas conçu pour un usage industriel ou en laboratoire.
- ▶ **LE CONTENU CHAUD PEUT CAUSER DE GRAVES BRÛLURES. NE PERMETTEZ PAS AUX ENFANTS D'UTILISER LE MICRO-ONDES.** Soyez prudent lorsque vous retirez des éléments chauds.

CONSERVEZ CES INSTRUCTIONS.



IMPORTANTES CONSIGNES DE SÉCURITÉ

LISEZ TOUTES LES INSTRUCTIONS AVANT D'UTILISER L'APPAREIL

- ▶ N'utilisez pas cet appareil si le cordon ou la fiche est endommagé, s'il ne fonctionne pas correctement ou s'il a été endommagé ou a été échappé.
- ▶ Cet appareil ne doit être réparé que par un fournisseur de service autorisé. Contactez le fournisseur de services autorisé le plus proche pour un examen, une réparation ou un réglage.
- ▶ Ne couvrez pas ou bloquez les événements ou ouvertures de l'appareil.
- ▶ Ne rangez pas cet appareil à l'extérieur. N'utilisez pas ce produit à proximité de l'eau – par exemple, près d'un évier de cuisine, dans un sous-sol humide, près d'une piscine ou d'emplacements similaires.
- ▶ Ne plongez pas le cordon ou la fiche dans l'eau.
- ▶ Tenez le cordon à l'écart de la surface chauffante.
- ▶ Ne laissez pas le cordon suspendre par dessus le bord d'une table ou d'un comptoir.
- ▶ Lors du nettoyage des surfaces de la porte et de l'appareil qui se rejoignent lors de la fermeture de la porte, utilisez uniquement des savons doux et non abrasifs ou des détergents appliqués avec une éponge ou un chiffon doux. Voir les instructions de nettoyage de la surface de la porte.

AVERTISSEMENT

Ne pas réparer, remplacer ni retirer toute pièce de l'électroménager à moins que cela ne soit spécifiquement recommandé par les manuels. L'installation, les réparations ou l'entretien inadéquats pourraient causer des blessures ou des dégâts matériels.

- ▶ Consulter ce manuel pour les directives d'utilisation.
- ▶ Toutes les autres réparations doivent être effectuées par un prestataire de services agréé.

Ne jamais modifier ni altérer la structure de l'appareil électroménager.

- ▶ Par exemple, ne retirez pas les pieds d'ajustement, les panneaux, les couvre-fils ou les vis ou supports anti-basculement.

AVERTISSEMENT

Retirer tout le ruban adhésif et l'emballage avant d'utiliser l'électroménager.

- ▶ Éliminez l'emballage d'une manière respectueuse de l'environnement.
- ▶ Ne laissez jamais les enfants jouer avec le matériel d'emballage.

MISE EN GARDE

Uniquement aux fins de ventilation générale.

- ▶ Pour éviter tout risque d'incendie ou d'explosion, ne pas utiliser pour évacuer des matières et des vapeurs dangereuses ou explosives.

AVERTISSEMENT

Ne pas utiliser les brûleurs de la table de cuisson au gaz sans chaudron en place. La flamme nue peut surchauffer l'appareil situé au-dessus.

Pour réduire le risque d'incendie, utiliser uniquement des systèmes de gaines/conduites en métal.

Cet appareil peut être utilisé au-dessus d'un équipement de cuisson à gaz ou électrique de 36 po (914 mm) ou moins de largeur.

2.4 Manipulation sécuritaire des appareils

AVERTISSEMENT



L'unité est lourde et son déplacement exige au moins deux personnes ou encore un équipement approprié.

- ▶ Ne pas soulever l'appareil par la poignée de porte.

AVERTISSEMENT

Certaines surfaces cachées peuvent avoir des rebords tranchants.

- ▶ Redoubler de vigilance quand vous passez la main derrière ou sous l'appareil électroménager.

2.5 Codes et normes de sécurité

Cet appareil est conforme aux plus récentes versions de l'une ou plus des normes suivantes :

- CAN/CSA C22.2 n ° 150 - Fours à micro-ondes
- CAN/CSA C22.2 no 61 - Cuisinières domestiques
- CSA C22.2 no 64 - Appareils ménagers de cuisson et de chauffage à liquide
- UL 1026 - Appareils électroménagers pour la cuisson et la préparation des aliments
- UL 923 - Appareils de cuisson à micro-ondes
- UL 858 - Cuisinières électriques domestiques
- UL 507 - Ventilateurs électriques
- CAN/CSA-C22.2 No 113 - Ventilateurs



IMPORTANTES CONSIGNES DE SÉCURITÉ

LISEZ TOUTES LES INSTRUCTIONS AVANT D'UTILISER L'APPAREIL

Il est de la responsabilité du propriétaire et de l'installateur de déterminer si des exigences et/ou des normes supplémentaires s'appliquent à des installations spécifiques.

2.6 Sécurité électrique

- **Installateur** - indiquez au propriétaire l'emplacement du disjoncteur ou du fusible. Identifiez sa position pour pouvoir le retrouver facilement.
- S'il y a lieu, conformément au Code national de l'électricité (ou au Code canadien de l'électricité), cet appareil doit être installé sur un circuit de dérivation séparé.
- Les codes locaux peuvent varier. L'installateur est responsable de s'assurer que l'installation, les connexions et la mise à la terre sont conformes à tous les codes applicables. Le fabricant n'est pas responsable d'une installation incorrecte ou du non-respect des codes et réglementations locaux appropriés.
- Assurez-vous que l'appareil est correctement installé et mis à la terre par un technicien qualifié. L'installation, les raccordements électriques et la mise à la terre doivent être conformes avec tous les codes en vigueur.
- Voir la fiche signalétique pour plus d'information.
→ *"Emplacement de la plaque signalétique", Page 34*

AVERTISSEMENT

Avant l'installation, couper l'alimentation au panneau de service.

- ▶ Verrouiller le panneau de service pour empêcher que l'alimentation ne soit rétablie par accident.

L'appareil doit être débranché de la source d'alimentation électrique avant d'être installé.

Pour les électroménagers dotés d'un cordon d'alimentation avec fiche, ne pas couper ni enlever la broche de mise à la terre.

- ▶ Pour éviter toute électrocution, brancher le cordon dans une prise de courant correspondante avec mise à la terre.
- ▶ En cas de doute concernant la mise à la terre appropriée de la prise murale, le client doit faire vérifier celle-ci par un électricien qualifié.

Avant de brancher le cordon électrique ou de mettre sous tension la source d'alimentation, vérifiez que toutes les commandes sont à la position OFF (Arrêt).

2.7 INSTRUCTIONS DE MISE À LA TERRE

Cet appareil doit être mis à la terre. La mise à la terre réduit le risque de choc électrique en fournissant une voie sûre pour le courant électrique en cas de court-circuit. Cet appareil doit être mis à la terre. Raccordez l'appareil uniquement à une prise de courant correctement mise à la terre.

→ *"Installation électrique - INSTRUCTIONS DE MISE À LA TERRE", Page 27*

AVERTISSEMENT

UNE MISE À LA TERRE INADÉQUATE PEUT ENTRAÎNER UN RISQUE D'ÉLECTROCUTION

- ▶ Consultez un électricien qualifié si vous ne comprenez pas parfaitement les instructions de mise à la terre ou si vous avez des doutes concernant une mise à la terre appropriée.
- ▶ NE PAS UTILISER DE RALLONGE.
- ▶ Si le cordon d'alimentation est trop court, demandez à un électricien ou un technicien qualifié d'installer une prise à proximité de l'appareil.

Cet appareil est équipé d'un cordon ayant un fil de mise à la terre avec une prise de mise à la terre. La fiche doit être branchée dans une prise qui a été installée et mise à la terre de façon conforme.

2.8 Sécurité du micro-ondes

PRÉCAUTIONS À SUIVRE AVANT ET PENDANT L'ENTRETIEN POUR ÉVITER TOUT RISQUE D'EXPOSITION AUX MICRO-ONDES

- Ne pas utiliser ou ne pas permettre l'utilisation de l'appareil avec la porte ouverte.
- Effectuer les vérifications de sécurité suivantes sur tous les appareils faisant l'objet d'un entretien avant d'activer la magnétron ou autre source micro-ondes, et effectuer les réparations selon le besoin :
 - Opération de verrouillage
 - Fermeture appropriée des portes
 - Joint d'étanchéité et surfaces étanches (production d'arcs électriques, usure et autres dommages)
 - Endommagement ou desserrage des charnières et des loquets
 - Signe de chute ou d'abus

CONSERVEZ CES INSTRUCTIONS.



IMPORTANTES CONSIGNES DE SÉCURITÉ

LISEZ TOUTES LES INSTRUCTIONS AVANT D'UTILISER L'APPAREIL

- Avant de mettre sous tension le micro-ondes pour tout test de service ou inspection dans les compartiments générateurs de micro-ondes, vérifier le magnétron, le guide d'onde ou la ligne de transmission, et la cavité pour l'alignement, intégrité, raccordement approprié.
- Tout composant endommagé ou mal réglé dans l'interverrouillage, moniteur, joint d'étanchéité de porte et système de génération et de transmission de micro-ondes doit être réparé, remplacé ou réglé selon les procédures décrites dans ce manuel avant que l'appareil ne puisse être remis à son propriétaire.
- Une vérification de fuite de micro-ondes pour vérifier la conformité avec les normes de rendement fédérales doit être effectuée sur chaque appareil avant sa remise au propriétaire.

2.9 Mises en garde conformément à la proposition 65 de l'État de Californie

Ce produit pourrait contenir un produit chimique reconnu par l'État de la Californie comme cancérigène ou ayant des effets nocifs sur la reproduction. Par conséquent, vous pourriez devoir apposer l'étiquette suivante sur l'emballage du produit comme requis par la Californie :

AVERTISSEMENT ISSUE DE LA PROPOSITION 65 DE L'ÉTAT DE LA CALIFORNIE :



AVERTISSEMENT

Cancer et dommages à la reproduction -

www.P65Warnings.ca.gov

3 Liste de vérification de l'installation

Utilisez cette liste de contrôle pour vérifier que vous avez terminé chaque étape du processus d'installation. Cela peut vous aider à éviter des erreurs courantes.

Consultez les instructions détaillées pour chaque étape dans les sections qui suivent cette liste de vérification.

Lisez et respectez toujours les instructions d'installation complètes présentées dans ce manuel.

- Avant d'installer l'appareil, assurez-vous de vérifier que les dimensions du caisson sont correctes pour votre appareil et que les raccordements électriques requis sont présents. Assurez-vous que le cordon électrique fourni sur l'appareil est en mesure d'atteindre le point de raccordement.
→ *"Exigences concernant l'emplacement", Page 24*
- *"Installation électrique - INSTRUCTIONS DE MISE À LA TERRE", Page 27*
- Déplacez l'appareil devant l'avant de l'ouverture du caisson.
- Retirez les matériaux d'emballage, en laissant l'emballage du fond de l'appareil pour éviter d'endommager le plancher.
→ *"Retrait de l'emballage", Page 23*
- Retirez la plaque de fixation à l'arrière de l'appareil.
→ *"Retrait de la plaque de montage", Page 27*
- Trouvez les montants du mur.
→ *"Localisation des poteaux de mur", Page 28*
- Fixez la plaque de fixation au mur.
→ *"Fixation de la plaque de montage au mur", Page 29*
- Ajustez le ventilateur du micro-ondes.
→ *"Adaptation de la ventilation du micro-ondes", Page 29*
- Préparez le caisson pour la fixation.
→ *"Préparation de l'armoire", Page 31*
- Au moins deux personnes sont nécessaires pour soulever l'appareil; inclinez et accrochez l'appareil à la plaque de maintien.
→ *"Montage de l'appareil", Page 31*
- Poussez l'appareil pour qu'il soit bien en place et serrez les vis de fixation dans les trous sur le dessus du caisson.
→ *"Montage de l'appareil", Page 31*
- Utilisez la bonne conduite de hotte.
→ *"Hotte de ventilation", Page 32*
- Testez le bon fonctionnement de l'appareil.

4 Avant de commencer

Lisez ces instructions avant de commencer l'installation de votre appareil.

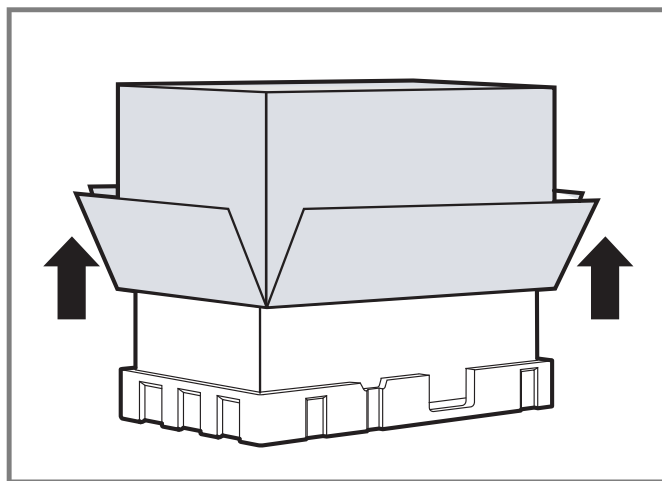
Ce manuel d'installation couvre plusieurs modèles. Tous graphiques sont représentatifs. Votre appareil peut varier en apparence et en fonctionnalités.

4.1 Retrait de l'emballage

AVIS :

Pour éviter d'endommager l'appareil, ne saisissez pas et n'utilisez pas la porte ou la poignée de porte pendant que l'appareil est déplacé.

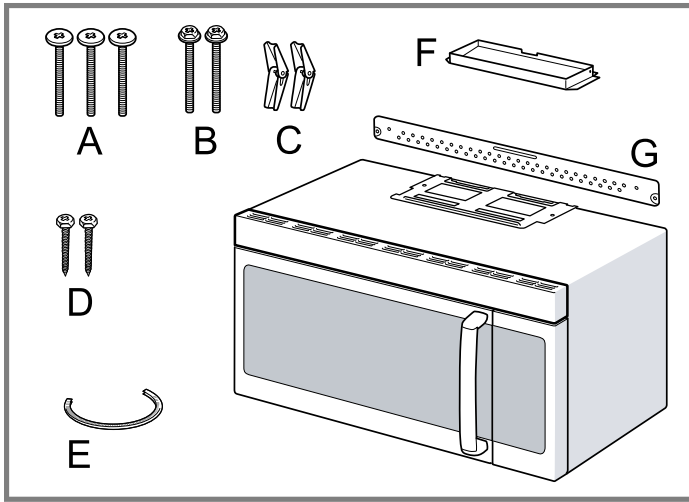
1. Retirez les filtres, les accessoires et le matériel. Ne retirez pas l'emballage protégeant la façade de l'appareil.
2. Repliez les quatre volets cartonnés complètement contre les côtés du carton.
3. Roulez soigneusement l'appareil et le carton sur le côté supérieur. L'appareil doit reposer dans la mousse de polystyrène.
4. Tirez le carton vers le haut et hors de l'appareil.



5. Couper le centre du sac de plastique protecteur extérieur pour retirer la plaque de montage.

4.2 Pièces incluses

Après avoir déballé le produit, inspectez toutes les pièces pour détecter d'éventuels dégâts dus au transport et pour vous assurer de l'intégralité de la livraison.



A	Boulons supérieurs de montage : Vis mécaniques auto-alignantes ¼ po - 28 x 3 ¼ po
B	Boulons à bascule - 3/16 po x 3 po
C	Accessoire pour le montage mural : Basculez les ailes
D	Vis à bois ¼ po x 2 po
E	Passe-fil en nylon (pour caisson métallique)
F	Adaptateur d'échappement
G	Plaques de montage (fixé à l'arrière de l'appareil)

Non montré :

- Gabarit de caisson supérieur
- Gabarit de mur arrière
- Filtres à graisse métalliques
- Filtre à charbon (installé en usine dans l'appareil)

4.3 Outils et pièces nécessaires

Préparez ces outils et accessoires avant de commencer à installer votre électroménager.

- Tournevis cruciforme
- Crayon
- Ruban à mesurer
- Bord droit
- Perceuse
- Forets : 3/16 po, 1/2 po, 5/8 po
- Gants de sécurité
- Scie (scie sauteuse, scie rotative ou passe-partout)
- Localisateur de poteau ou marteau
- Lunettes de protection
- Niveau
- Ruban en aluminium (NE PAS utiliser de ruban adhésif isolant ou en tissu)

Outils optionnels :

- Équerre de charpentier
- Cisailles à métaux
- Ciseaux
- Blocs de remplissage ou morceaux de copeaux de bois (pour l'installation du caisson inférieur en retrait)

4.4 Exigences d'alimentation et mise à la terre

La prise de courant doit être correctement mise à la terre selon tous les codes applicables.

La prise peut être installée n'importe où à l'intérieur de l'armoire au-dessus de l'appareil, à portée du cordon d'alimentation (environ 24 po).

5 Exigences concernant l'emplacement

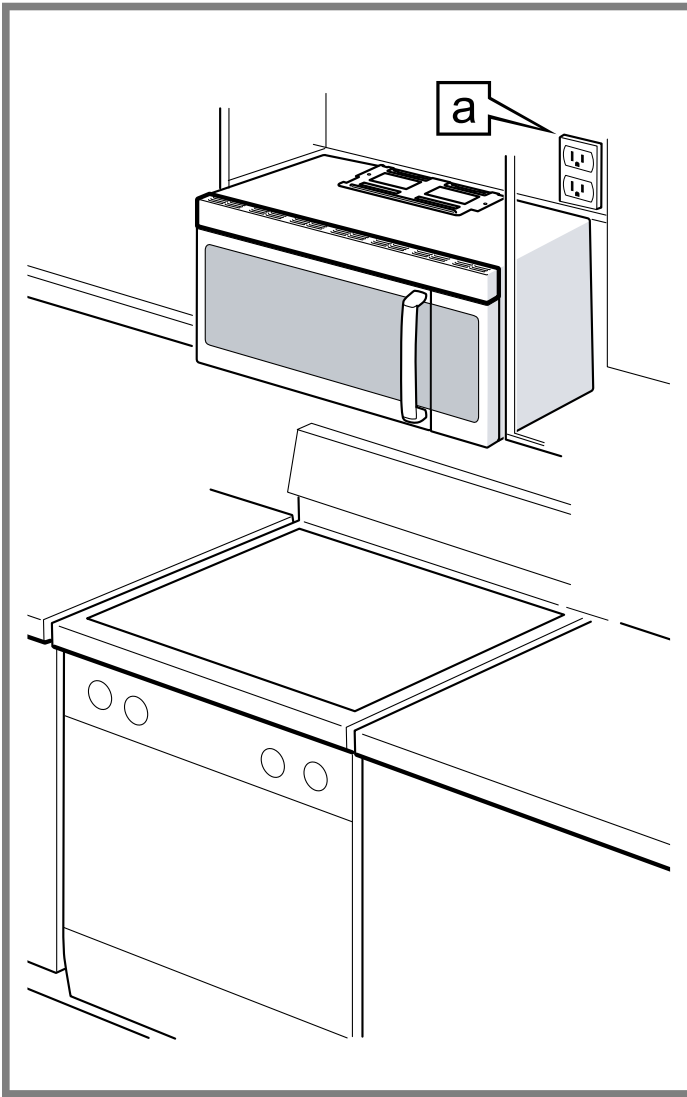
5.1 Dimensions de l'installation

⚠ AVERTISSEMENT

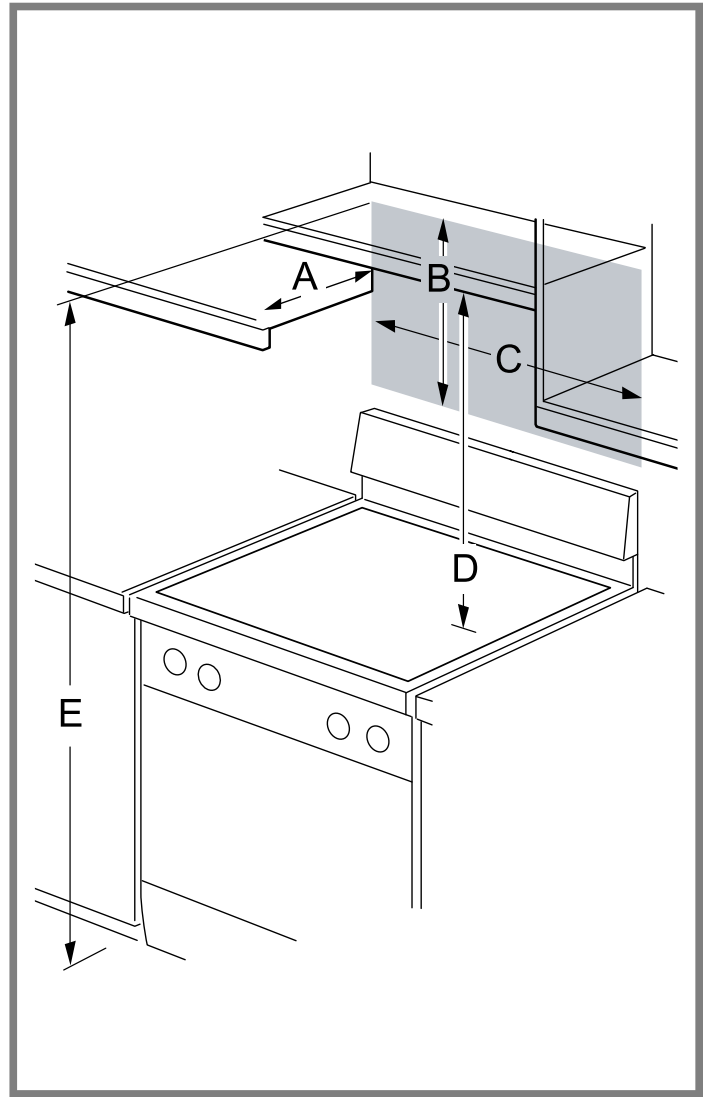
Cet appareil doit être monté à une hauteur minimale de 36" po (914 mm) et n'est pas destiné à être utilisé sur un comptoir.

⚠ MISE EN GARDE

Cet appareil doit être monté uniquement au-dessus du niveau du comptoir.



a Prise mise à la terre de 120 V située sur la droite à l'intérieur de l'armoire au-dessus de l'appareil dans cet exemple.



A min. 12 po (305 mm)
max. 14 po (356 mm)

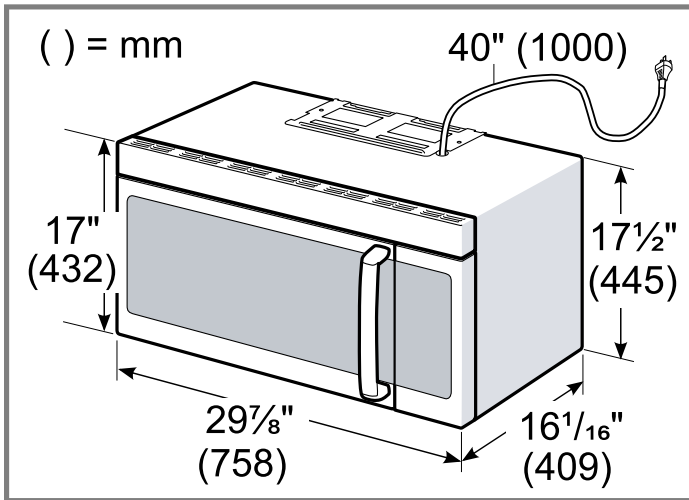
B min. 17 ½ po (446 mm)

C min. 30 po (762 mm)
largeur d'ouverture de l'armoire

D min. 30 po (762 mm)
Pour des performances et une fiabilité optimales, le fabricant recommande un dégagement de 33 po à 36 po, bien que le dégagement minimum autorisé soit de 30 po.

E min 66 po (1676 mm)

5.2 Dimensions de l'électroménager



Remarque : Tenez compte du fait que les dimensions avant et arrière de l'appareil ne sont pas identiques.

6 Installation électrique - INSTRUCTIONS DE MISE À LA TERRE

Lisez ces instructions pour connecter votre appareil en toute sécurité à l'alimentation électrique.

6.1 Exigences électriques

Assurez-vous que votre installation électrique prend en charge les exigences suivantes.

⚠ AVERTISSEMENT

Instructions de mise à la terre

- ▶ L'électroménager est doté d'une fiche à trois broches mise à la terre pour vous protéger contre le danger d'électrocution. La fiche doit être utilisée dans une prise correctement mise à la terre. **NE PAS** enlever ni couper la broche de mise à la terre de la fiche.

Modèle	Connexion	Exigences du circuit
HMV8054U	NEMA 5-15	120 V / 60 Hz; 15 A
HMV8045U	NEMA 5-15	120 V / 60 Hz; 15 A
HMV8045C	NEMA 5-15	120 V / 60 Hz; 15 A

6.2 Raccordement électrique

⚠ AVERTISSEMENT

La tension utilisée doit être la même que celle indiquée sur cet appareil. L'utilisation d'une tension plus élevée est dangereuse et peut provoquer un incendie ou endommager l'appareil.

Exigences électriques :

- Tous les modèles de 120 volts doivent être branchés dans une prise de courant à 3 broches avec mise à la terre.
- La prise doit être connectée à une alimentation électrique correctement mise à la terre et polarisée de 120 VAC, monophasée, 60 Hz.
- Source d'alimentation électrique de 15 ampères avec fusible ou disjoncteur.
- Ce produit doit être connecté à un circuit d'alimentation dédié de la tension et de la fréquence appropriées.
- La taille du fil doit être conforme aux exigences du Code national d'électricité ou du code local en vigueur pour cette capacité.
- Le cordon d'alimentation doit être branché sur une prise de courant monophasée séparée de 15 A mise à la terre.
- La boîte de sortie doit être aménagée dans la zone derrière l'appareil.
→ "Dimensions de l'installation", Page 24
- La boîte de sortie et le circuit d'alimentation dédié doivent être installés par un électricien qualifié et conformes au code national de l'électricité ou au code local en vigueur.
- La tension utilisée doit être la même que celle indiquée sur la plaque signalétique de cet appareil.
→ "Emplacement de la plaque signalétique", Page 34.
L'utilisation d'une tension plus élevée est dangereuse et peut provoquer un incendie ou endommager l'appareil.

L'utilisation d'une tension plus basse ralentira la cuisson. Le fabricant n'est pas responsable de dommages résultant de l'utilisation de l'appareil sur une tension autre que celle spécifiée.

- L'appareil ne doit être connecté qu'à un circuit dédié (avec terre) qui a été installé conformément aux réglementations en vigueur.

7 Procédure d'installation

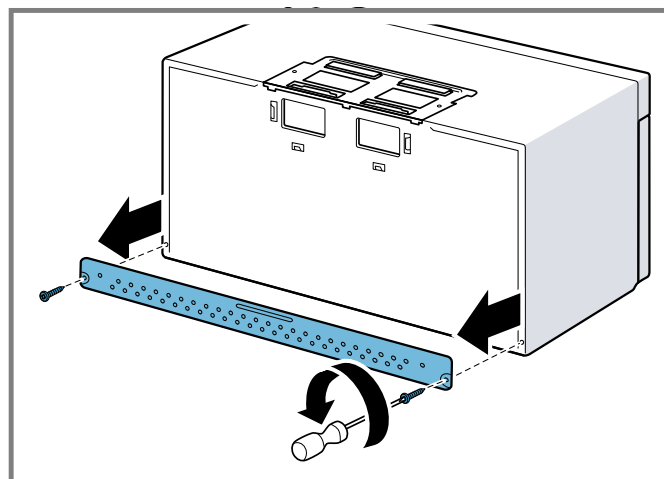
7.1 Retrait de la plaque de montage

AVIS :

Pour éviter d'endommager l'appareil, ne saisissez pas et n'utilisez pas la porte ou la poignée de porte pendant que l'appareil est déplacé.

Pour éviter d'endommager le plan de travail ou le dessous de l'appareil, couvrez le plan de travail.

1. Retirez tout contenu restant de la cavité de l'appareil.
2. Retirez les vis de la plaque de montage.
 - La plaque de montage sera utilisée comme modèle de mur arrière et pour le montage.



- Réinstallez les vis dans les trous desquels elles ont été retirées.

7.2 Localisation des poteaux de mur

L'appareil doit être fixé à au moins un montant mural. S'il n'y a pas de montants muraux dans l'ouverture de l'armoire, n'installez pas l'appareil.

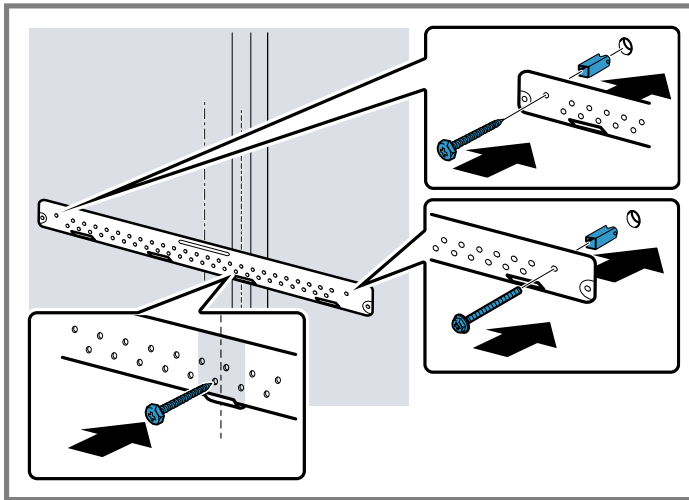
- Localiser les bords des poteaux de mur au sein de l'ouverture du caisson en utilisant ce qui suit :
 - un localiseur de poteau, ou
 - un marteau; tapotez légèrement sur la surface de montage pour trouver un son solide
- Placez une marque à mi-chemin entre les bords des montants du mur et tracez une ligne au centre des montants. Voir configuration possible des montants muraux. → Page 28

Configuration possible des poteaux de mur

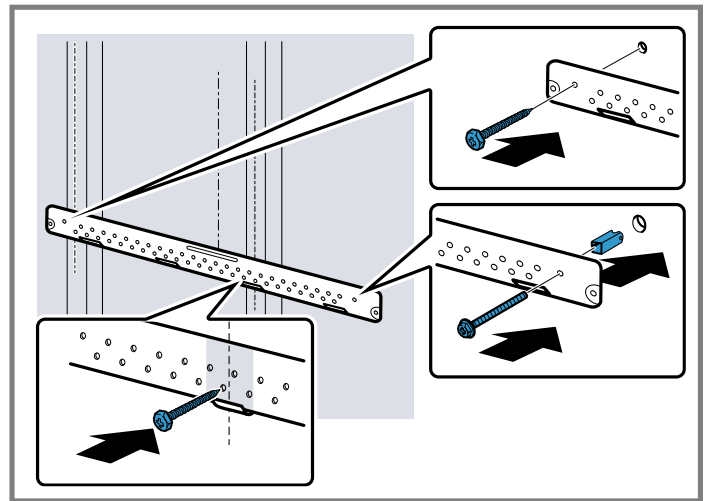
Ces illustrations montrent des exemples des configurations d'installation à privilégier avec la plaque de montage.

Absence de poteau de mur dans les trous

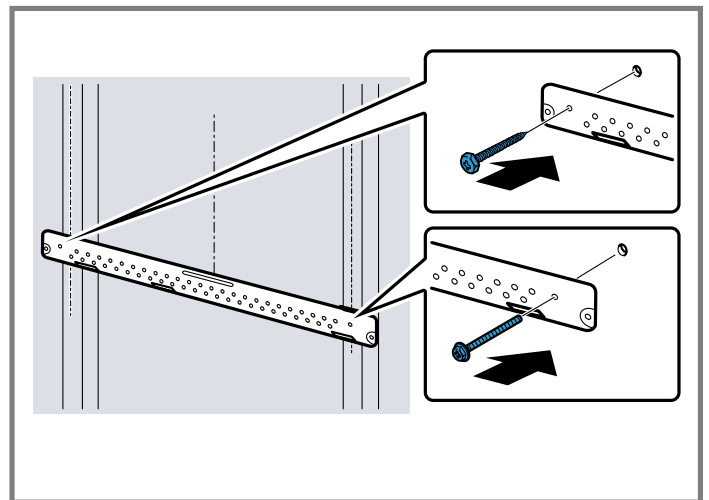
Si le montant du mur est à moins de 6 ¼ po (159 mm) de la ligne médiane verticale, seules les installations de ventilation de la pièce (recirculation) ou de ventilation du toit peuvent être effectuées.



Montants muraux à un trou d'angle



Pas de montants muraux aux deux trous d'angle



7.3 Préparation de la paroi arrière

- S'assurer que le bas du caisson est de niveau.
- Tracer une ligne verticale sur le mur au centre de l'espace du caisson.
- Pour armoire avec porte-à-faux avant :** Tracez une ligne sur le mur arrière égale à la profondeur du porte-à-faux avant.
- Coller le GABARIT DE MUR ARRIÈRE sur le mur en faisant correspondre la ligne centrale et en touchant le bas du caisson ou la ligne de niveau.
- Tracez une ligne horizontale sur le mur au bas du GABARIT DE MUR ARRIÈRE.
- Percez des trous aux emplacements A et B sur le GABARIT DE MUR ARRIÈRE :
 - Trous de 3/16 po (5 mm) pour vis à bois (montant)
 - Trous de 5/8 po (16 mm) pour les boulons à ailettes (sans poteau)

Si ni **A** ni **B** est dans un montant, trouvez un montant quelque part dans la zone de la plaque de montage et percez un trou de 3/16 po (5 mm).

Il est important d'utiliser au moins une vis à bois fixée fermement dans un montant pour supporter le poids de l'appareil.

7. **⚠ MISE EN GARDE** Installation de ventilation murale :
- Si l'adaptateur d'évacuation est placé à l'extérieur, tenez compte des dimensions recommandées, sinon l'air chargé de graisse se déchargera dans la structure de la maison.

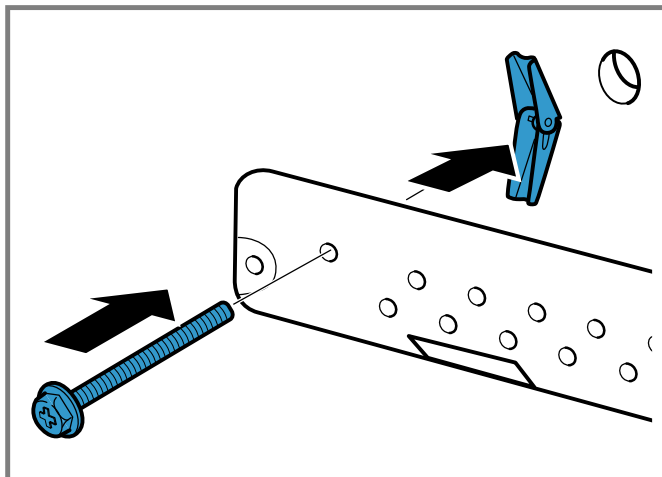
Installation de ventilation murale uniquement :

Découpez la zone ombragée **F** sur le GABARIT DE MUR ARRIÈRE à l'aide d'une scie sauteuse.

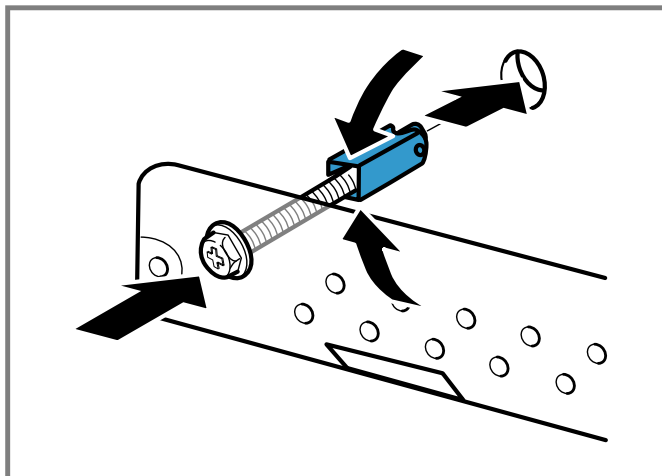
8. Retirez le GABARIT DE MUR ARRIÈRE.

7.4 Fixation de la plaque de montage au mur

1. Retirez les ailettes des boulons.
2. Insérez les boulons dans la plaque de montage à travers les trous désignés pour aller dans le placoplâtre.

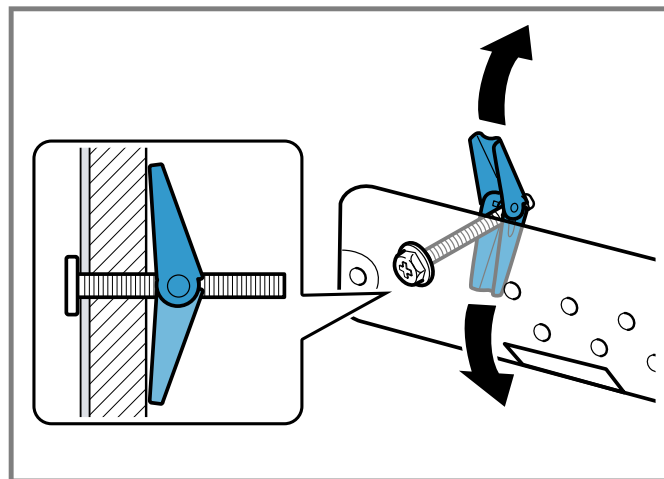


3. Fixez les ailettes de l'arrière de la plaque de montage sur chaque boulon. Laissez suffisamment d'espace pour permettre aux ailettes de traverser le mur et s'ouvrir.



4. Placez la plaque de montage contre le mur et poussez les boulons à travers le placoplâtre.

5. Serrez à la main les boulons pour s'assurer que les ailettes se sont ouvertes contre le placoplâtre.



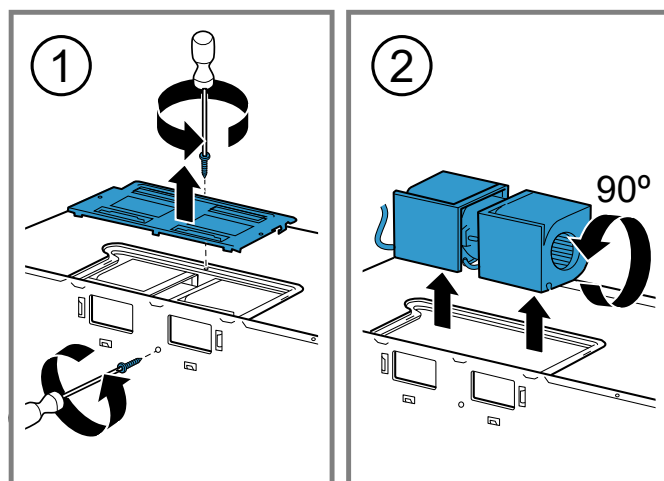
6. Vérifiez que la plaque de montage est correctement centrée et de niveau.
7. Serrez fermement toutes les vis, y compris la vis à bois.

7.5 Adaptation de la ventilation du micro-ondes

L'appareil est expédié assemblé pour l'installation de ventilation dans la pièce. L'unité de ventilation du micro-ondes est déjà en place et n'a pas besoin d'être adaptée pour la ventilation de la pièce. Pour une ventilation sur le toit ou au mur, réglez le ventilateur du micro-ondes comme décrit dans la section correspondante.

Adaptation du ventilateur à micro-ondes pour la ventilation du toit

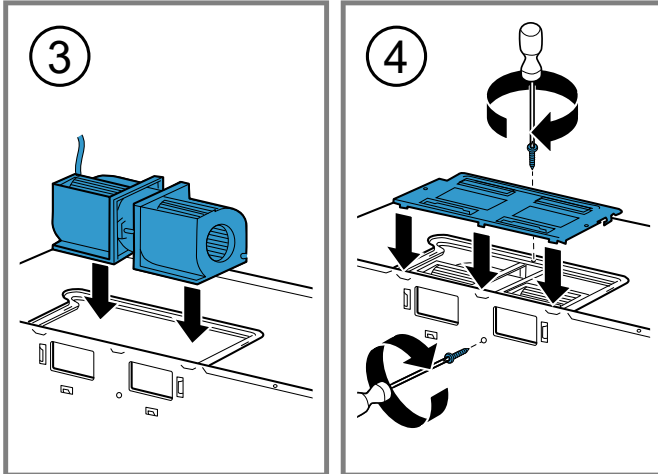
1. Retirer et conserver les vis immobilisant le moteur de ventilateur et la plaque de ventilateur. Soulever la plaque de ventilateur et la mettre de côté.
2. Retirez délicatement le ventilateur et faites-le pivoter de 90° de sorte que les ouvertures des pales du ventilateur soient orientées vers le haut de l'appareil.



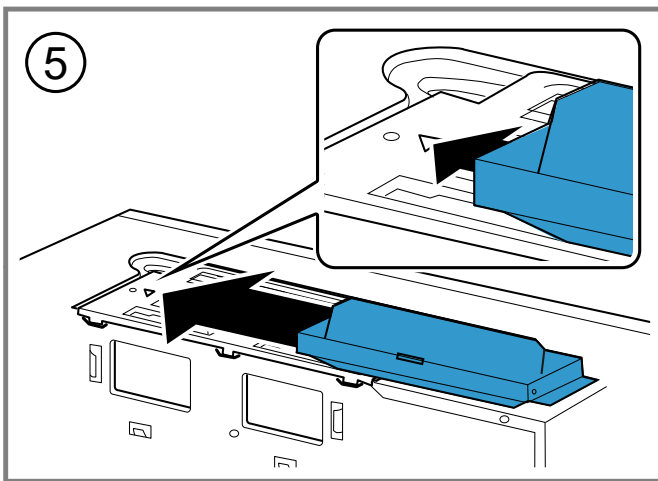
3. **⚠ MISE EN GARDE** Ne pas tirer ou allonger le fil du ventilateur. S'assurer que les fils ne sont pas pincés et qu'ils sont correctement fixés.

Remettre l'unité de ventilateur dans l'ouverture.

4. Remplacer la plaque de ventilateur et la fixer avec les vis retirées à l'étape ①.



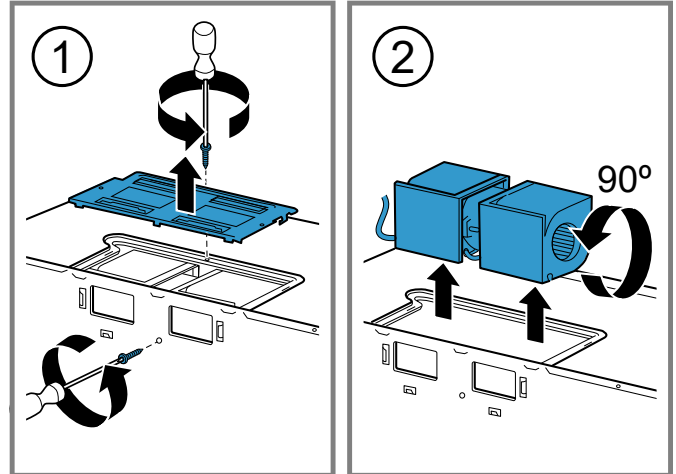
5. Fixer l'adaptateur d'échappement sur le haut de la plaque de ventilateur en le couissant sur les guides. Pousser jusqu'à enclencher dans les languettes de verrouillage. S'assurer que la charnière du registre bascule librement.



Adaptation du ventilateur de micro-ondes pour une ventilation murale

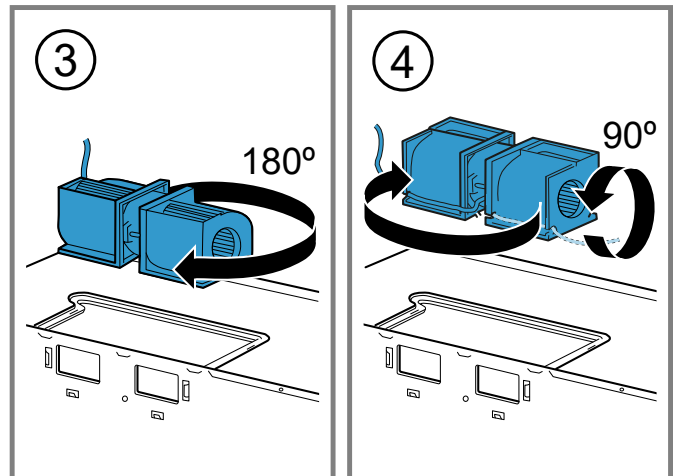
1. Retirer et conserver les vis immobilisant le moteur de ventilateur et la plaque de ventilateur. Soulever la plaque de ventilateur et la mettre de côté.

2. Retirez délicatement le ventilateur et faites-le pivoter de 90° de manière à ce que les ouvertures des pales du ventilateur soient orientées vers le haut de l'appareil.



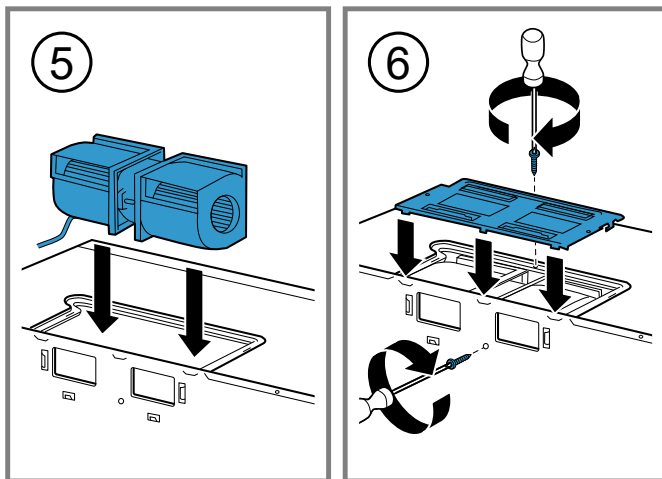
3. Tourner l'unité de ventilateur de 180° dans le sens antihoraire.
4. **⚠ MISE EN GARDE** Ne pas tirer ou allonger le fil du ventilateur. S'assurer que les fils ne sont pas pincés et qu'ils sont correctement fixés.

Retirer soigneusement les fils des rainures. Réacheminer les fils à travers les rainures sur l'autre côté de l'unité de ventilateur. Faites pivoter le ventilateur de 90 degrés afin que les ouvertures des pales du ventilateur soient orientées vers l'arrière de l'appareil.

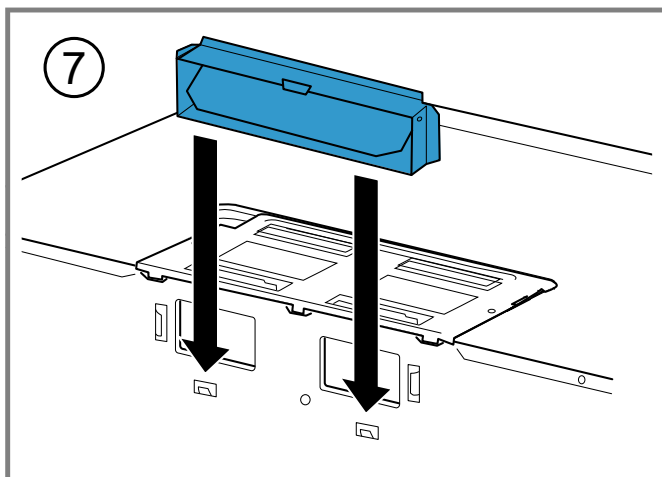


5. Remettre l'unité de ventilateur dans l'ouverture.

6. Remplacer la plaque de ventilateur et la fixer avec les vis retirées à l'étape ①.



7. Fixez l'adaptateur d'évacuation à l'arrière de l'appareil en le glissant dans les guides. Pousser jusqu'à enclencher dans les languettes de verrouillage inférieures. S'assurer que la charnière du registre bascule librement.



7.6 Préparation de l'armoire

1. Débranchez l'alimentation électrique de la prise du boîtier du disjoncteur.
2. Retirez tout le contenu du caisson supérieur.
3. Collez le MODÈLE D'ARMOIRE SUPÉRIEUR sur la surface inférieure de l'armoire. Assurez-vous que la ligne centrale du gabarit s'aligne avec la ligne verticale du mur. Les flèches du mur arrière doivent être contre le mur arrière.

Remarque : Pour un bas du caisson en retrait, rognez les bords du gabarit de manière à ce qu'il s'adapte à l'intérieur de la zone en retrait. Le gabarit comporte des lignes de rognage à utiliser comme guides.

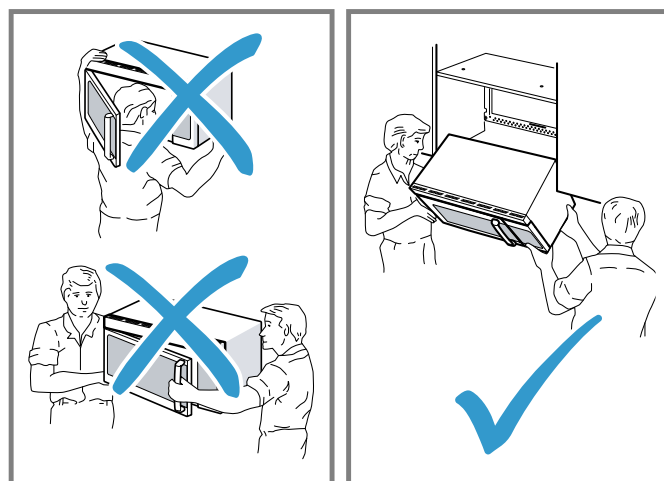
4. Percez des trous de $\frac{3}{8}$ po (10 mm) aux emplacements **A**, **B** et **C** du MODÈLE D'ARMOIRE SUPÉRIEUR.
5. **Pour une installation de ventilation de toit uniquement :** Découpez la zone ombragée **E** sur le GABARIT D'ARMOIRE SUPÉRIEUR à l'aide d'une scie sauteuse.

6. Retirez le gabarit du mur arrière et du caisson.

7.7 Montage de l'appareil

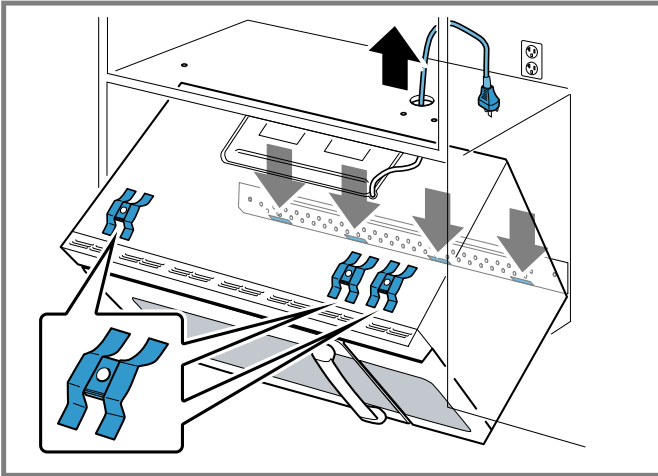
Remarques

- Si le bas de l'armoire supérieure est en retrait ou a un porte-à-faux avant, vous devrez préparer des blocs de remplissage pour fournir un support supplémentaire pour les boulons. Taille des blocs de remplissage : 2 po x 2 po (51 mm x 51 mm) - profondeur équivalente à un renforcement ou un surplomb de l'armoire.
 - Marquez le centre de chaque bloc de remplissage et percez un trou de $\frac{3}{8}$ po (10 mm) de diamètre.
 - Alignez les blocs de remplissage sur les trois ouvertures sur le dessus de l'appareil et fixez-les avec du ruban adhésif.
- Utilisez au moins deux personnes pour installer l'appareil. Ne saisissez pas ou n'utilisez pas la poignée de porte pendant l'installation.

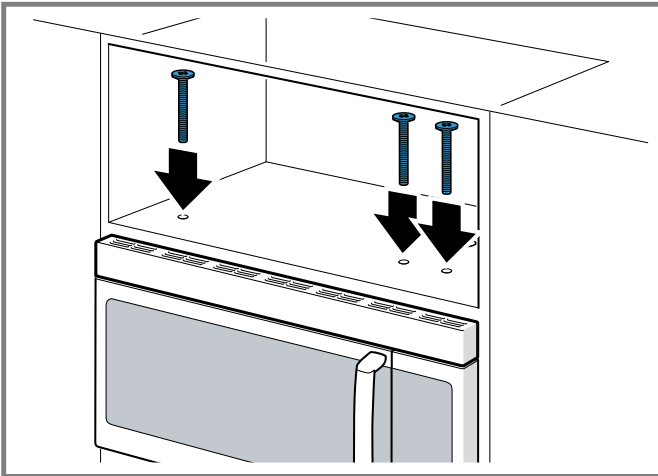


- Lors du montage de l'appareil, faites passer le cordon d'alimentation à travers le trou au bas de l'armoire supérieure. Maintenez le cordon serré et ne le pincez pas, surtout lorsque vous le montez en effleurement avec le bas du caisson. Ne tirez pas sur le cordon pour soulever l'appareil.
1. Soulevez l'appareil, inclinez-le vers l'avant et accrochez les fentes du bord inférieur arrière sur les quatre languettes inférieures de la plaque de montage.

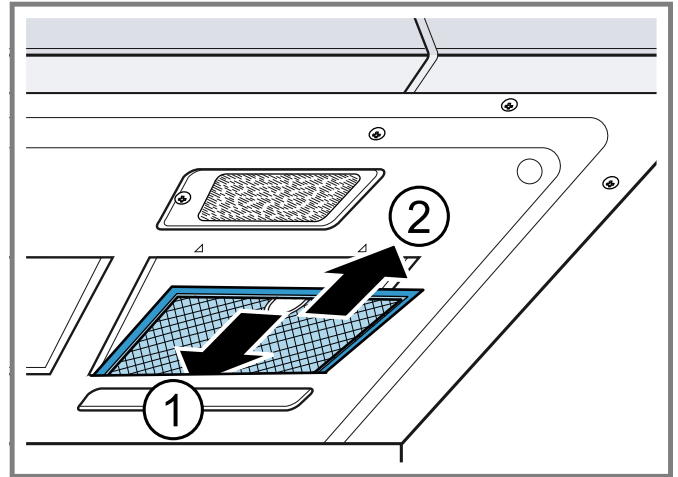
2. Faites pivoter l'avant de l'appareil contre le bas de l'armoire.



3. Insérez une vis à alignement automatique (élément A dans la liste des pièces) à travers le trou central supérieur de l'armoire. Fixez temporairement l'appareil en tournant la vis d'au moins 2 tours complets après que les filets soient engagés.



4. Serrez la vis centrale à fond.
 5. Serrez complètement les 2 vis extérieures sur le dessus de l'appareil en maintenant l'appareil en place contre le mur et l'armoire supérieure.
 6. Installez les filtres à graisse au bas de l'appareil :
 - Faites glisser les 2 broches situées à l'arrière du filtre dans les fentes situées à l'arrière de l'ouverture du filtre.
 - Poussez le filtre à l'avant jusqu'à ce que le loquet se verrouille en place avec un déclic.


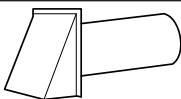
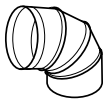

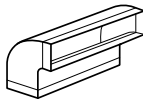
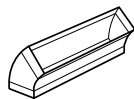
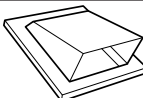
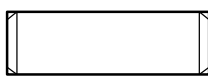


7.8 Hotte de ventilation

Lors de l'évacuation des gaz d'échappement vers l'extérieur, des conduits d'évacuation de la hotte seront nécessaires. Lisez attentivement les instructions suivantes.

Remarques

- Il est important que la ventilation soit installée en utilisant le chemin le plus direct et avec aussi peu de coudes que possible. Cela assure une ventilation claire de l'échappement et aide à empêcher les obstructions.
- Assurez-vous que les registres pivotent librement et que rien ne bloque les conduits.
- L'échappement de la hotte a été conçu pour concorder avec un conduit rectangulaire standard de 3 ¼ po X 10 po (82 X 254 mm). Si un conduit rond est requis, un adaptateur rectangulaire/rond doit être utilisé.
- Ne pas utiliser un conduit de diamètre inférieur à 6 po (152 mm). Pour une circulation d'air appropriée, la longueur totale du conduit de 3 ¼ po X 10 po (82 X 254 mm) rectangulaire ou rond de diamètre de 6 po (152 mm) ne doit pas dépasser l'équivalent de 120 pieds (36,5 m).
- Les coudes, les transitions, les murs et les capuchons de toit, etc., causent une résistance additionnelle à la circulation d'air et équivalent à une section de conduit droit qui est plus longue que la taille physique actuelle. Lors du calcul de la longueur de conduit totale, ajouter les longueurs équivalentes de toutes les transitions et adaptateurs plus la longueur de toutes les sections de conduit droites. Le tableau ci-dessous montre comment calculer la longueur des conduits équivalente totale à l'aide d'une longueur équivalente approximative en pieds de certains conduits types.
 Les longueurs équivalentes de morceaux de conduit sont basées sur des tests actuels et reflètent les exigences pour un bon rendement de ventilation avec toute hotte.

Pièce de conduit			x Nombre utilisé	= Longueur équivalente
	Adaptateur de transition rectangulaire à rond Si un adaptateur de transition rectangulaire à rond est utilisé, assurez-vous d'abord que la charnière du registre de l'appareil oscille librement. Au besoin, couper le registre pour qu'il s'adapte, à l'aide de cisailles, afin de permettre un mouvement libre.	5 pi (1,5 m)	x	=
	Capuchon mural	40 pi (12,2 m)	x	=
	Coude de 90°	10 pi (3 m)	x	=
	Coude de 45°	5 pi (1,5 m)	x	=
	Coude de 90°	25 pi (7,6 m)	x	=
	Coude de 45°	5 pi (1,5 m)	x	=
	Capuchon de toit	24 pi (7,3 m)	x	=
	Conduit droit ■ Rond 6 po (152 mm) ou ■ Rectangulaire de 3 1/4 po x 10 po (82 x 254 mm)	1 pi (0,3 m)	x	=

8 Opération d'essai

Vérifiez si votre appareil fonctionne correctement après avoir terminé les étapes d'installation.

1. Mettez sous tension au disjoncteur.
2. Sélectionnez le mode CONVECTION. Pour des directives de fonctionnement détaillées, consultez manuel.
- ✓ Vérifiez que le voyant de la cavité de l'appareil s'allume et que l'appareil commence à préchauffer.
3. Testez le micro-ondes : placez une tasse d'eau dans la cavité de l'appareil. Découvrez manuel sur la façon de chauffer une boisson.
- ✓ Vérifiez que le voyant de la cavité de l'appareil s'allume et que l'eau est chauffée.
4. Si l'un des tests n'aboutit pas comme prévu ci-dessus, communiquez avec le service après-vente pour obtenir de l'aide.

9 Service à la clientèle

Lors de toute réparation réalisée dans le cadre de la garantie, nous nous assurons que votre appareil est réparé avec des pièces de rechange d'origine par un technicien dûment formé et agréé. Nous utilisons exclusivement des pièces de rechange d'origine lors des réparations.

Pour plus d'informations sur la durée et les conditions de la garantie dans votre pays, consultez nos modalités de garantie auprès de votre détaillant ou sur notre site Web. Si vous contactez le service à la clientèle, indiquez le numéro de modèle (E-Nr.) et le numéro de fabrication (FD) de l'appareil.

USA:

1-800-944-2904

www.bosch-home.com/us/owner-support/get-support

www.bosch-home.com/us/shop

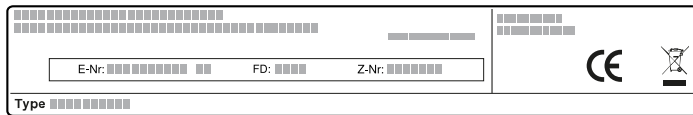
CA:

1-800-944-2904

www.bosch-home.ca/en/service/get-support

9.1 Numéro de modèle (E-Nr.) et numéro de fabrication (FD)

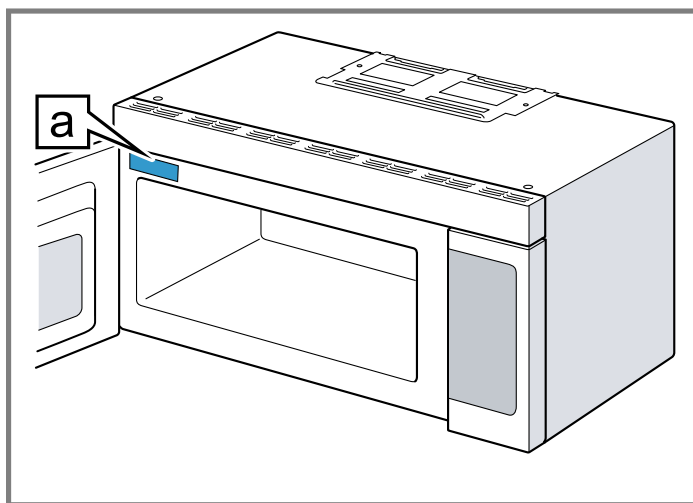
Le numéro de modèle (E-Nr.) et le numéro de fabrication (FD) sont indiqués sur la plaque signalétique de l'appareil.



Pour retrouver rapidement les données de votre appareil et le numéro de téléphone du service à la clientèle, n'hésitez pas à les recopier ailleurs.

9.2 Emplacement de la plaque signalétique

Vous trouverez la plaque signalétique de votre appareil sur le côté gauche de la garniture de porte.



a Plaque signalétique

Tabla de contenidos

1 Energía microondas.....	36
2 INSTRUCCIONES DE SEGURIDAD	
IMPORTANTES.....	37
2.1 Definiciones de seguridad	37
2.2 Información general	37
2.3 Instrucciones generales de seguridad.....	37
2.4 Seguridad de manejo del aparato	38
2.5 Códigos y normas de seguridad.....	38
2.6 Seguridad eléctrica	39
2.7 INSTRUCCIONES PARA LA PUESTA A TIERRA ..	39
2.8 Seguridad de microondas	39
2.9 Advertencias en virtud de la Proposición 65 del estado de California	40
3 Lista de verificación de instalación	41
4 Antes de empezar	41
4.1 Retirada del embalaje	41
4.2 Componentes incluidos	42
4.3 Herramientas y componentes necesarios	42
4.4 Requisitos de potencia y de conexión a tierra	42
5 Requisitos de ubicación.....	42
5.1 Dimensiones de montaje.....	42
5.2 Medidas del aparato.....	44
6 Instalación eléctrica: INSTRUCCIONES PARA LA PUESTA A TIERRA	45
6.1 Requisitos eléctricos	45
6.2 Conexión eléctrica	45
7 Procedimiento de instalación	45
7.1 Extracción de la placa de montaje.....	45
7.2 Localización de los montantes de pared	46
7.3 Preparación de la pared posterior	47
7.4 Fijación de la placa de montaje a la pared	47
7.5 Adaptación del extractor del microondas.....	47
7.6 Preparación del gabinete	49
7.7 Montaje del aparato	49
7.8 Campana extractora.....	50
8 Comprobación del funcionamiento	51
9 Servicio de atención al cliente	52
9.1 Número de modelo (E-Nr.) y número de fabricación (FD)	52
9.2 Ubicación de la placa de características del aparato.....	52

1 Energía microondas

▲ PRECAUCIONES PARA EVITAR UNA POSIBLE EXPOSICIÓN A UNA EXCESIVA CANTIDAD DE ENERGÍA DE MICROONDAS

- (1) No intente manejar este aparato con la puerta abierta, ya que el funcionamiento con la puerta abierta puede tener como consecuencia una exposición nociva a la energía de microondas. Es importante no anular los enclavamientos de seguridad ni interferir en estos.
- (2) No coloque ningún objeto entre la parte delantera del aparato y la puerta ni permita que se acumulen suciedad ni restos de limpiador en las superficies sellantes.
- (3) No maneje el aparato si está dañado. Es de particular importancia que la puerta del aparato cierre correctamente y que no haya daños en:
 - la puerta (doblada);
 - las bisagras y las trabas (rotas o flojas);
 - los sellos y las superficies sellantes de la puerta..
- (4) Ninguna persona debe ajustar ni reparar el aparato a menos que se trate de personal de servicio técnico autorizado. La instalación, el servicio técnico o el mantenimiento incorrectos pueden causar lesiones o daños materiales. Consulte este manual para su orientación.
Remita todas las reparaciones a un centro de servicio técnico autorizado por la fábrica.



INSTRUCCIONES DE SEGURIDAD IMPORTANTES

LEER TODAS LAS INSTRUCCIONES ANTES DE UTILIZAR EL APARATO

ADVERTENCIA: Leer atentamente todas las instrucciones antes de usarlo. Estas precauciones reducirán el riesgo de producir quemaduras, descargas eléctricas, incendios y lesiones personales, o la exposición a una cantidad excesiva de energía de microondas. A la hora de utilizar aparatos de cocina se deben tomar precauciones de seguridad básicas, incluidas las que se encuentran en las páginas siguientes.

2.1 Definiciones de seguridad

Aquí puede encontrar explicaciones de las palabras de señal de seguridad utilizadas en este manual.

ADVERTENCIA

Esto indica que pueden producirse la muerte o heridas graves si no se cumple con esta advertencia.

PRECAUCIÓN

Esto indica que pueden producirse heridas leves o moderadas si no se cumple con esta advertencia.

AVISO:

Esto indica que pueden producirse daños en el aparato o en los bienes si no se cumple con este aviso.

Nota: Esto alerta sobre información o sugerencias importantes.

2.2 Información general

Esta sección ofrece información general sobre el presente manual.

- Leer detenidamente el presente manual.
- Tener en cuenta los avisos y las instrucciones de seguridad.
- Conservar el manual y la información del producto en un lugar seguro para futuras referencias o para el siguiente propietario.
- Comprobar posibles daños en el aparato una vez desempaquetado. No conectar el aparato si este ha sufrido algún daño durante el transporte.

Todos los manuales de producto pueden descargarse en línea en www.bosch-home.com/us/owner-support/owner-manuals.

2.3 Instrucciones generales de seguridad

Leer las presentes instrucciones antes de proceder con el montaje del aparato.

IMPORTANTE: CONSERVAR ESTAS INSTRUCCIONES PARA QUE PUEDA USARLAS EL INSPECTOR DE ELECTRICIDAD LOCAL.

INDICACIÓN PARA EL INSTALADOR: ESTAS INSTRUCCIONES DEBEN PERMANECER CON EL APARATO UNA VEZ FINALIZADA LA INSTALACIÓN.

ADVERTENCIA

Si no se sigue con exactitud la información de este manual, se puede producir un incendio o una descarga eléctrica que podrían causar daños materiales o lesiones personales.

ADVERTENCIA

Al utilizar aparatos eléctricos, deben tomarse las precauciones de seguridad básicas, entre las que se encuentran las siguientes:

- ▶ Leer todas las instrucciones antes de utilizar el aparato.
- ▶ En particular, es preciso leer y respetar las PRECAUCIONES PARA EVITAR UNA POSIBLE EXPOSICIÓN A UNA CANTIDAD EXCESIVA DE ENERGÍA DE MICROONDAS, que se encuentran en → *Página 36*
- ▶ Este aparato debe estar conectado a tierra. Se debe conectar únicamente a una toma de corriente debidamente aterrizada. Consultar → *"Instalación eléctrica: INSTRUCCIONES PARA LA PUESTA A TIERRA", Página 45.*
- ▶ Instalar o ubicar este aparato únicamente en conformidad con las instrucciones de instalación proporcionadas.
- ▶ Algunos productos, como los huevos enteros y los recipientes sellados (p. ej., los tarros cerrados de cristal), pueden explotar, por lo que no deben calentarse en este aparato.
- ▶ Utilizar este aparato únicamente para el fin para el cual ha sido diseñado, según lo descrito en el manual. No utilizar productos químicos ni vapores corrosivos en este aparato. Este tipo de aparato está específicamente diseñado para calentar, cocinar o secar alimentos. No está diseñado para su uso industrial o en laboratorios.

CONSERVE ESTAS INSTRUCCIONES.



INSTRUCCIONES DE SEGURIDAD IMPORTANTES

LEER TODAS LAS INSTRUCCIONES ANTES DE UTILIZAR EL APARATO

- ▶ LOS CONTENIDOS CALIENTES PUEDEN CAUSAR QUEMADURAS GRAVES. NO PERMITIR QUE LOS NIÑOS USEN EL MICROONDAS. Proceder con precaución al extraer elementos calientes.
- ▶ No utilizar este aparato si presenta daños en el cable o en el enchufe, si no funciona correctamente, si se ha caído o si ha sufrido daños.
- ▶ Únicamente debe realizar tareas de mantenimiento en el aparato un proveedor de servicios autorizado. Es preciso ponerse en contacto con el proveedor de servicios autorizado más próximo para realizar tareas de inspección, reparación o ajuste.
- ▶ No cubrir ni bloquear las aberturas o los conductos de ventilación del aparato.
- ▶ No instalar este aparato en zonas exteriores. No utilizar este producto cerca del agua, p. ej., cerca de un fregadero, en una superficie húmeda, cerca de una alberca o en lugares similares.
- ▶ No sumergir el cable o el enchufe en agua.
- ▶ Mantener el cable alejado de una superficie caliente.
- ▶ No dejar que el cable cuelgue sobre el borde de la mesa o la cubierta.
- ▶ Al limpiar las superficies de la puerta y el aparato que entran en contacto al cerrar la puerta, aplicar únicamente limpiadores o detergentes no abrasivos con una esponja o un trapo suave. Véanse las instrucciones de limpieza de la superficie de la puerta.

ADVERTENCIA

No reparar, reemplazar ni retirar ninguna parte del aparato a menos que se recomiende específicamente en los manuales. La instalación, el servicio técnico o el mantenimiento incorrectos pueden causar lesiones o daños materiales.

- ▶ Consultar este manual como guía.
- ▶ Cualquier otra labor de mantenimiento debe de ser efectuada por un proveedor de servicios de mantenimiento autorizado.

No modificar ni alterar la construcción del aparato.

- ▶ Por ejemplo, no retirar las patas de nivelación, los paneles, las cubiertas para cables ni los tornillos o soportes antivuelco.

ADVERTENCIA

Retirar toda la cinta y el embalaje antes de usar el aparato.

- ▶ Desechar el embalaje de manera respetuosa con el medio ambiente.

- ▶ No dejar nunca que los niños jueguen con el material de embalaje.

PRECAUCIÓN

Solo para ventilación general.

- ▶ Para evitar el riesgo de incendio o explosión, no utilizar para evacuar materiales y vapores peligrosos o explosivos.

ADVERTENCIA

No utilizar los quemadores de la cubierta de gas sin colocar las ollas en su sitio. La llama abierta puede sobrecalentar el aparato por encima. Para reducir el riesgo de incendio, utilizar únicamente ductos metálicos.

Este aparato es adecuado para su uso sobre equipos de cocina de gas o eléctricos de 914 mm (36") o menos de ancho.

2.4 Seguridad de manejo del aparato

ADVERTENCIA



La unidad pesa mucho y se requieren al menos dos personas o un equipo adecuado para trasladarla.

- ▶ No levantar el aparato agarrándolo del asa de la puerta.

ADVERTENCIA

Las superficies ocultas pueden tener bordes afilados.

- ▶ Proceder con cuidado al intentar sujetar el aparato por la parte trasera o desde abajo.

2.5 Códigos y normas de seguridad

Este aparato cumple con la última versión de una o varias de las siguientes normas:

- CAN/CSA C22.2 n.º 150: hornos microondas
- CAN/CSA-C22.2 n.º 61: electrodomésticos de cocción
- CSA-C22.2 n.º 64: electrodomésticos de cocción y de calentamiento de líquidos
- UL 1026: electrodomésticos eléctricos de cocción y para servir comida
- UL 923: electrodomésticos de cocción con microondas
- UL 858: estufas eléctricas de uso doméstico
- UL 507: Ventiladores eléctricos
- CAN/CSA C22.2 n.º 113: Ventiladores y ventilaciones



INSTRUCCIONES DE SEGURIDAD IMPORTANTES

LEER TODAS LAS INSTRUCCIONES ANTES DE UTILIZAR EL APARATO

Es responsabilidad del propietario y del instalador determinar si son aplicables otros requisitos y/o normas en instalaciones específicas.

2.6 Seguridad eléctrica

- **Instalador:** es preciso mostrar al propietario la ubicación del breaker del circuito o del fusible. Marcarla para recordarla más fácilmente.
- Si el Código Nacional Eléctrico (o el Código Eléctrico Canadiense) así lo exige, este aparato debe instalarse con un circuito derivado dedicado por separado.
- Las normativas locales varían. El instalador es responsable de asegurarse de que la instalación, las conexiones y la toma de tierra cumplan con todas las normativas aplicables. El fabricante no es responsable de la instalación incorrecta o de la omisión de seguir los códigos y regulaciones locales aplicables.
- Asegurarse de que el aparato esté correctamente instalado y conectado a tierra por un técnico calificado. La instalación, las conexiones eléctricas y la puesta a tierra deben cumplir con todas las normas aplicables.
- Para obtener más información, consultar la placa de características.
→ "Ubicación de la placa de características del aparato", *Página 52*

ADVERTENCIA

Antes de realizar la instalación, desconectar la alimentación eléctrica en el panel de servicio.

- ▶ Bloquear el panel de servicio para impedir que se conecte accidentalmente la alimentación eléctrica.
- Antes de la instalación, debe desenchufarse el aparato de la fuente de alimentación.
- Para los aparatos provistos de cable y enchufe, no cortar ni retirar la terminal de conexión a tierra;
- ▶ se requiere para enchufarla en un receptáculo adecuado con conexión a tierra para evitar descargas eléctricas.
 - ▶ Si se tienen dudas acerca de si el enchufe de la pared tiene una conexión a tierra adecuada, el cliente debería pedirle a un electricista calificado que lo compruebe.
- Antes de enchufar un cable eléctrico o encender la fuente de alimentación eléctrica, asegúrese de que todos los controles se encuentren en la posición OFF (apagado).

2.7 INSTRUCCIONES PARA LA PUESTA A TIERRA

Este aparato debe estar conectado a tierra. La conexión a tierra reduce el riesgo de descargas eléctricas, ya que proporciona una vía de escape de la corriente eléctrica en caso de cortocircuito.

Este aparato debe estar puesto a tierra. Se debe conectar únicamente a una toma de corriente debidamente conectada a tierra.

→ "Instalación eléctrica: INSTRUCCIONES PARA LA PUESTA A TIERRA", *Página 45*

ADVERTENCIA

UNA PUESTA A TIERRA INCORRECTA PUEDE CAUSAR UNA DESCARGA ELÉCTRICA

- ▶ Es preciso consultar con un electricista calificado si no se comprende la totalidad de las instrucciones de puesta a tierra o si se tiene alguna duda respecto de si el aparato está correctamente conectado a tierra.
- ▶ NO USAR UN CABLE DE EXTENSIÓN.
- ▶ Si el cable de suministro de alimentación es demasiado corto, se deberá solicitar a un electricista calificado que instale una toma de corriente cerca del aparato.

Este aparato está equipado con un cable de conexión a tierra y con un enchufe de conexión a tierra. El enchufe debe conectarse en una toma que esté correctamente instalada y conectada a tierra.

2.8 Seguridad de microondas

PRECAUCIONES QUE DEBEN TOMARSE ANTES Y DURANTE EL MANTENIMIENTO PARA EVITAR UNA POSIBLE EXPOSICIÓN A UNA CANTIDAD EXCESIVA DE ENERGÍA DE MICROONDAS

- No manejar ni permitir el manejo del aparato con la puerta abierta.
- Efectuar las siguientes comprobaciones de seguridad en todos los aparatos en los que se vayan a realizar tareas de mantenimiento antes de activar el magnetrón u otra fuente de microondas y ejecutar las reparaciones pertinentes:
 - Funcionamiento del sistema de bloqueo (interlock)
 - Cierre correcto de la puerta
 - Juntas y superficies de sellado (curvatura, desgaste y otros daños)
 - Bisagras y pestillos dañados o sueltos

CONSERVE ESTAS INSTRUCCIONES.



INSTRUCCIONES DE SEGURIDAD IMPORTANTES

LEER TODAS LAS INSTRUCCIONES ANTES DE UTILIZAR EL APARATO

- Señales de caídas o uso indebido
- Antes de conectar el aparato a la corriente eléctrica para cualquier prueba de mantenimiento o inspección en los compartimientos que generan las microondas, comprobar que el magnetrón, la guía de ondas o la línea de transmisión y la cavidad estén íntegros y correctamente alineados y conectados.
- Es preciso reparar, sustituir o ajustar todo componente dañado o mal configurado en el interlock, la pantalla, la junta de la puerta y los sistemas de generación y transmisión de microondas siguiendo los procedimientos descritos en este manual antes de entregar el aparato a su propietario.
- Antes de entregarlo a su propietario, es preciso realizar en cada aparato una comprobación de fugas de microondas para corroborar el cumplimiento de la Normativa Federal sobre Desempeño.

2.9 Advertencias en virtud de la Proposición 65 del estado de California

Este producto puede contener un químico que el Estado de California reconoce como potencialmente cancerígeno o causante de daños reproductivos. Por tanto, su producto debe llevar en su embalaje la siguiente etiqueta de conformidad con la legislación de California:

ADVERTENCIA EN VIRTUD DE LA PROPOSICIÓN 65 DEL ESTADO DE CALIFORNIA:

⚠ ADVERTENCIA

Cáncer y daño reproductivo - www.P65Warnings.ca.gov

3 Lista de verificación de instalación

Usar esta lista de comprobación para verificar que se haya completado cada paso del proceso de instalación. De este modo, se pueden evitar los errores comunes. Consultar las instrucciones detalladas de cada paso en las secciones que van después de esta lista de verificación. Siempre es preciso leer y respetar todas las instrucciones de instalación de este manual.

- Antes de instalar el horno, asegurarse de comprobar que las dimensiones del gabinete son correctas para la unidad y que están presentes las conexiones eléctricas necesarias. Asegurarse de que el cable eléctrico incluido con el aparato pueda alcanzar el punto de conexión.
→ "Requisitos de ubicación", Página 42

- "Instalación eléctrica: INSTRUCCIONES PARA LA PUESTA A TIERRA", Página 45

- Mover el aparato y colocarlo justo delante del espacio del gabinete.

- Extraer los materiales de empaque, pero dejar los de la base para evitar daños en el piso.
→ "Retirada del embalaje", Página 41

- Retirar la placa de montaje de la parte trasera del aparato.
→ "Extracción de la placa de montaje", Página 45

- Localizar los taquetes de pared.
→ "Localización de los montantes de pared", Página 46

- Fijar la placa de montaje a la pared.
→ "Fijación de la placa de montaje a la pared", Página 47

- Adaptar el extractor del microondas.
→ "Adaptación del extractor del microondas", Página 47

- Preparar el gabinete para el montaje.
→ "Preparación del gabinete", Página 49

- Se requieren al menos dos personas para elevar el aparato, inclinarlo y engancharlo a la placa de sujeción.
→ "Montaje del aparato", Página 49

- Empujar el aparato completamente en su sitio y fijar los tornillos de sujeción a través de los orificios de la parte superior del gabinete.
→ "Montaje del aparato", Página 49

- Utilizar una campana extractora apropiada.
→ "Campana extractora", Página 50

- Comprobar el correcto funcionamiento del aparato.

4 Antes de empezar

Leer estas instrucciones antes de comenzar la instalación del aparato.

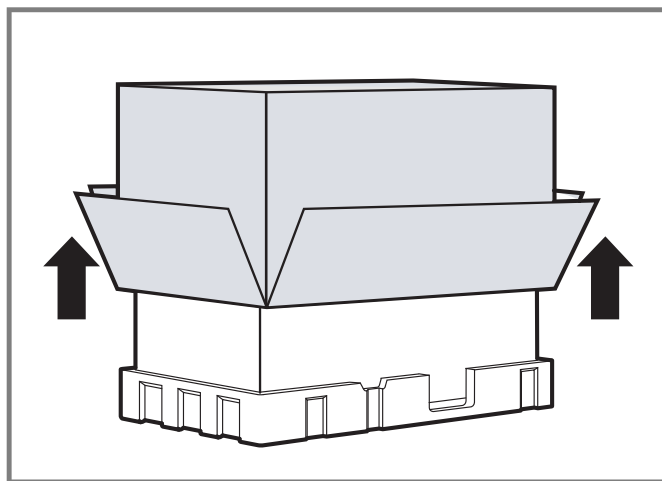
Este manual de instalación abarca varios modelos. Todos los gráficos son representativos. La apariencia y las funciones del aparato pueden variar.

4.1 Retirada del embalaje

AVISO:

Para evitar daños, no se debe agarrar ni manipular la puerta (ni su manija) mientras el aparato se está desplazando.

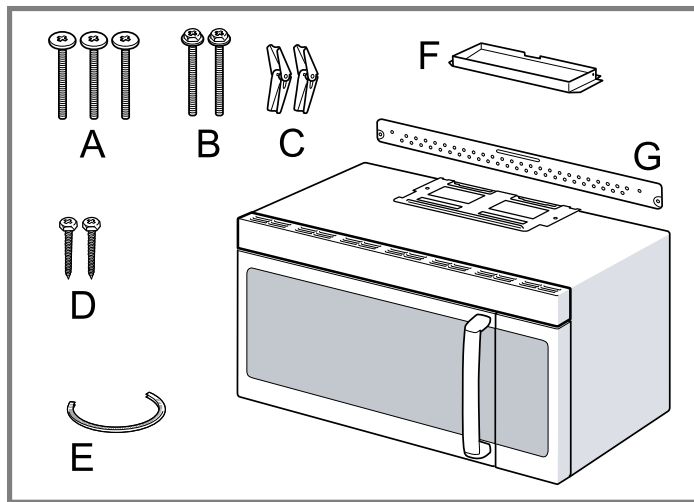
1. Extraer los filtros, los accesorios y el hardware. No retirar el empaque que protege la parte frontal del aparato.
2. Plegar completamente las cuatro solapas de cartón contra los costados.
3. Inclinar cuidadosamente el aparato con su cartón para que repose sobre su parte superior. El aparato debe continuar apoyado sobre la espuma de poliestireno.
4. Sacar el cartón del aparato.



5. Cortar la parte central de la bolsa protectora exterior de plástico para sacar la placa de montaje.

4.2 Componentes incluidos

Después de desembalar el aparato, verifique que todas las piezas no presenten daños ocasionados durante el transporte, así como que el volumen de suministro esté completo.



A	Pernos de montaje superiores: Tornillos autoalineables para máquinas 1/4" - 28 x 3 1/4"
B	Tornillos de palanca - 3/16" x 3"
C	Soporte para montaje en pared: Anclajes de palanca
D	Tornillos para madera 1/4" x 2"
E	Ojal de nylon (para gabinetes de metal)
F	Campana extractora
G	Placa de montaje (fijada en la parte posterior del aparato)

No mostrados:

- Plantilla para gabinete superior
- Plantilla para pared posterior
- Filtros metálicos antigrasa
- Filtro de carbón (montado en el aparato de fábrica)

4.3 Herramientas y componentes necesarios

Preparar las siguientes herramientas y artículos antes de comenzar la instalación del aparato.

- Desarmador Phillips
- Lápiz
- Cinta métrica
- Borde recto
- Taladro
- Brocas: 3/16", 1/2", 5/8"
- Guantes de seguridad
- Sierra (de sable, caladora o de perforación)
- Localizador de montantes o martillo
- Gafas de seguridad
- Nivel
- Cinta de aluminio (NO utilizar cinta aislante o de tela para conductos)

Herramientas opcionales:

- Escuadra de carpintero
- Cortadores de chapa
- Tijeras
- Bloques de relleno o fragmentos de madera (para instalaciones en base empotrada de gabinete)

4.4 Requisitos de potencia y de conexión a tierra

El contacto para el enchufe debe estar puesto a tierra de forma adecuada, en conformidad con todas las normas aplicables.

La toma se puede instalar en cualquier lugar dentro del gabinete sobre el aparato, al alcance del cable de alimentación (aprox. 24 pulgadas).

5 Requisitos de ubicación

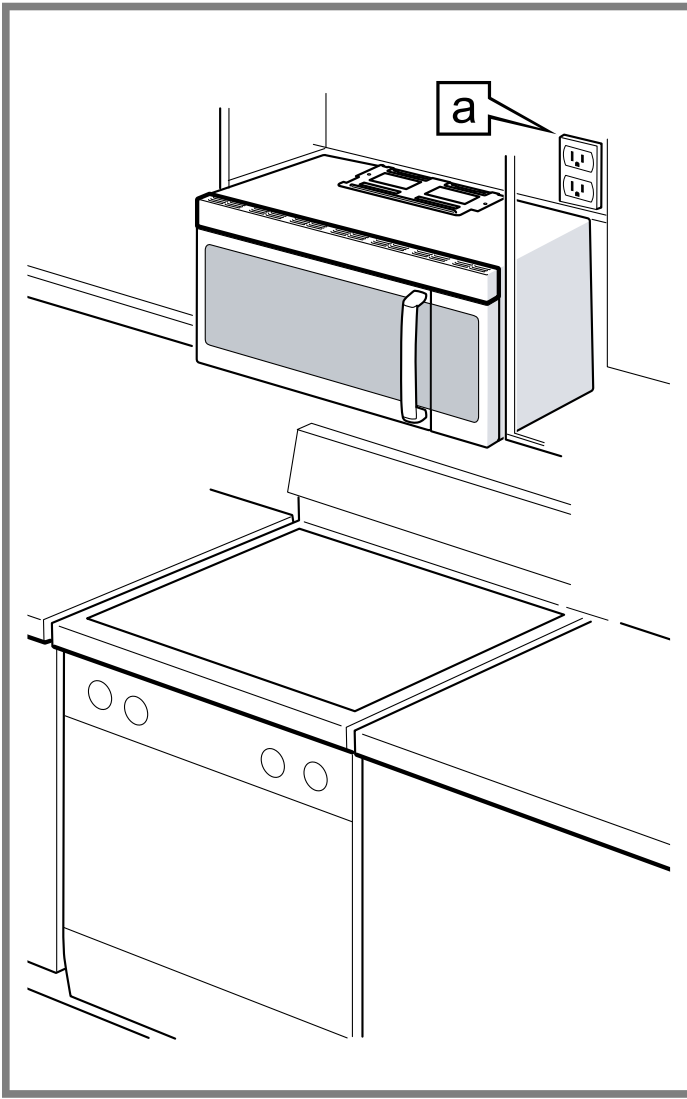
5.1 Dimensiones de montaje

⚠ ADVERTENCIA

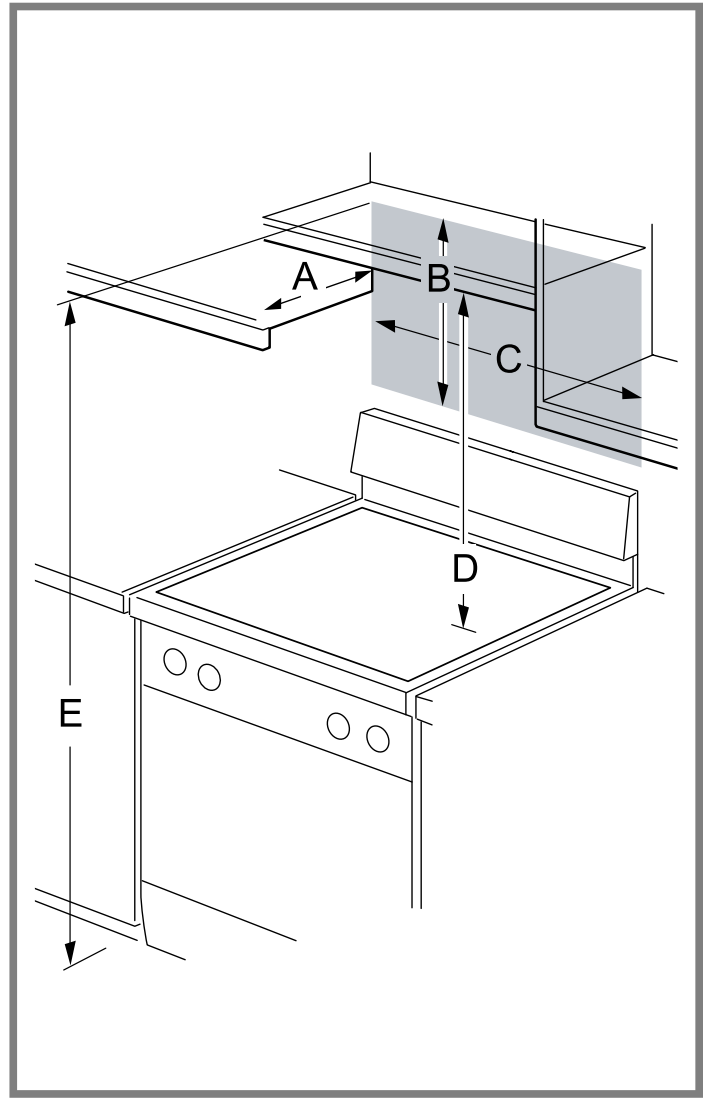
Este aparato debe montarse a una altura mínima de 36" (914 mm) y no está indicado para utilizarlo en encimera.

⚠ PRECAUCIÓN

Este aparato solo debe montarse por encima del nivel de la cubierta.

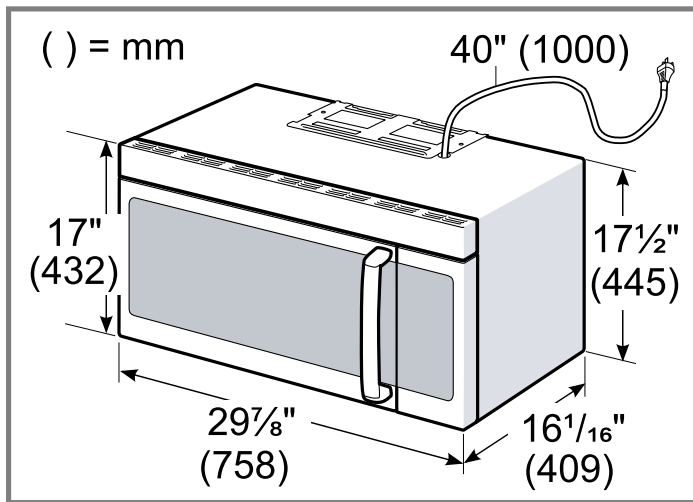


- a** Toma de corriente de 120 V aterrizada situada en el interior del gabinete sobre el aparato; el lado derecho se muestra a modo de ejemplo.



- A** mín. 12" (305 mm)
máx. 14" (356 mm)
-
- B** mín. 17½" (446 mm)
-
- C** mín. 30" (762 mm)
ancho de apertura del gabinete
-
- D** mín. 30" (762 mm)
Para niveles óptimos de rendimiento y confiabilidad, el fabricante recomienda un espacio de 33"-36", aunque el espacio mínimo permisible está establecido en 30".
-
- E** mín. 66" (1676 mm)

5.2 Medidas del aparato



Nota: Debe tenerse en cuenta que las medidas frontales y posteriores del aparato no son idénticas.

6 Instalación eléctrica: INSTRUCCIONES PARA LA PUESTA A TIERRA

Leer las presentes instrucciones para conectar con seguridad el aparato al suministro eléctrico.

6.1 Requisitos eléctricos

Es preciso asegurarse de que la instalación eléctrica sea compatible con los siguientes requisitos.

⚠ ADVERTENCIA

Instrucciones para poner a tierra la instalación eléctrica

- ▶ Este aparato está equipado con un enchufe de conexión a tierra de tres clavijas para proteger contra los riesgos de descargas eléctricas y debe conectarse directamente a un enchufe con toma de tierra. **NO** cortar ni quitar la clavija de conexión a tierra de este enchufe.

Modelo	Conexión	Requisitos relativos al circuito
HMV8054U	NEMA 5-15	120 V / 60 Hz; 15 A
HMV8045U	NEMA 5-15	120 V / 60 Hz; 15 A
HMV8045C	NEMA 5-15	120 V / 60 Hz; 15 A

6.2 Conexión eléctrica

⚠ ADVERTENCIA

El voltaje utilizado deber ser el mismo que el que se especifica en este aparato. Utilizar un voltaje mayor es peligroso y podría ocasionar un incendio o dañar el aparato.

Requisitos eléctricos:

- Todos los modelos de 120 voltios se deben enchufar en un receptáculo de conexión a tierra de 3 puntas.
- El receptáculo debe estar conectado a una fuente de alimentación eléctrica dedicada debidamente polarizada y puesta a tierra con una capacidad nominal de 120 V CA, monofásica, 60 Hz.
- Alimentación eléctrica de 15 A con un fusible o un interruptor automático.
- Este producto se debe conectar a un circuito de alimentación dedicado de voltaje y frecuencia adecuados.
- El calibre del cable debe cumplir con los requisitos del Código Eléctrico Nacional o del código local vigente para esta clasificación.
- El cable de alimentación se debe enchufar a una toma de corriente monofásica separada de 15 A con conexión a tierra.
- La caja de la toma de corriente debe estar ubicada en la zona detrás del aparato.
→ *"Dimensiones de montaje", Página 42*
- La caja de la toma de corriente y el circuito de alimentación dedicado deben ser instalados por un electricista calificado y cumplir con el Código Eléctrico Nacional o el código local vigente.
- El voltaje utilizado deber ser el mismo que el que se especifica en la placa de características de este aparato.
→ *"Ubicación de la placa de características del aparato", Página 52.* Utilizar un voltaje mayor es peligroso y podría ocasionar un incendio o dañar el aparato.

Utilizar un voltaje menor causará una cocción lenta. El fabricante no es responsable de los daños resultantes del uso del aparato con un voltaje distinto al especificado.

- El aparato solo se debería conectar a un circuito dedicado (conectado a tierra) que haya sido instalado conforme a las regulaciones aplicables.

7 Procedimiento de instalación

7.1 Extracción de la placa de montaje

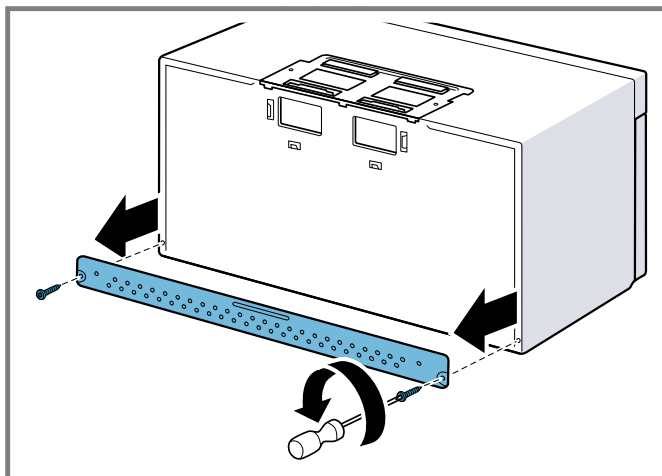
AVISO:

Para evitar daños, no se debe agarrar ni manipular la puerta (ni su manija) mientras el aparato se está desplazando.

Cubrir la superficie de trabajo para evitar dañarla o deteriorar la base del aparato.

1. Extraer el resto de los componentes de la cavidad del aparato.

2. Retirar los tornillos de la placa de montaje.
 - La placa de montaje se utilizará como plantilla de la pared posterior y para el montaje.



3. Volver a instalar los tornillos en los orificios de los que se extrajeron.

7.2 Localización de los montantes de pared

El aparato debe estar fijado al menos a un montante de pared. No instalar el aparato si no hay montantes de pared en la abertura del gabinete.

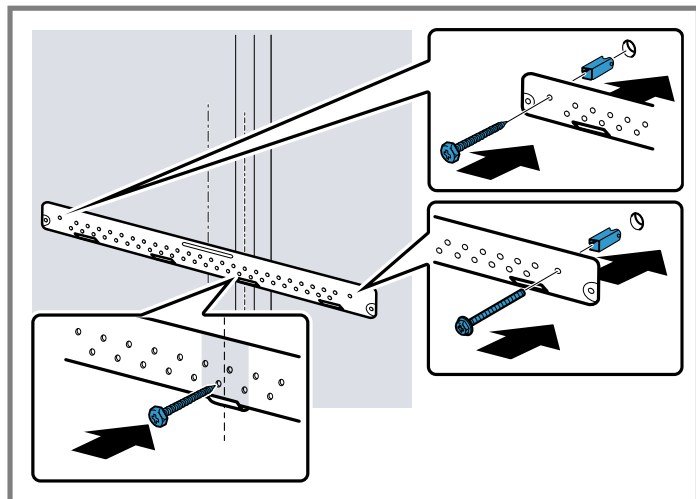
1. Localizar los extremos de los montantes de pared en la abertura del gabinete con ayuda de:
 - un localizador de montantes; o
 - un martillo, golpeando suavemente la superficie de montaje hasta escuchar un sonido sordo
2. Colocar una marca a medio camino entre los bordes de los montantes de la pared y dibujar una línea desde la parte central de los montantes. Ver las posibles configuraciones de montantes de pared. → *Página 46*

Posibles configuraciones de montantes de pared

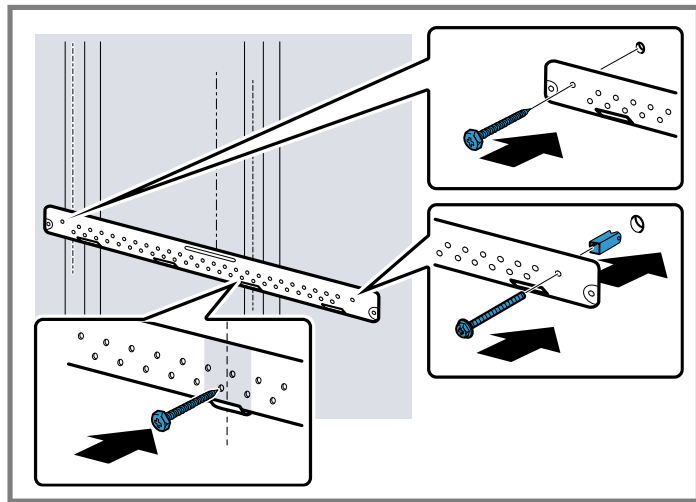
Estas ilustraciones muestran ejemplos de configuraciones preferentes de instalación con la placa de montaje.

Sin montantes de pared en orificios de esquina

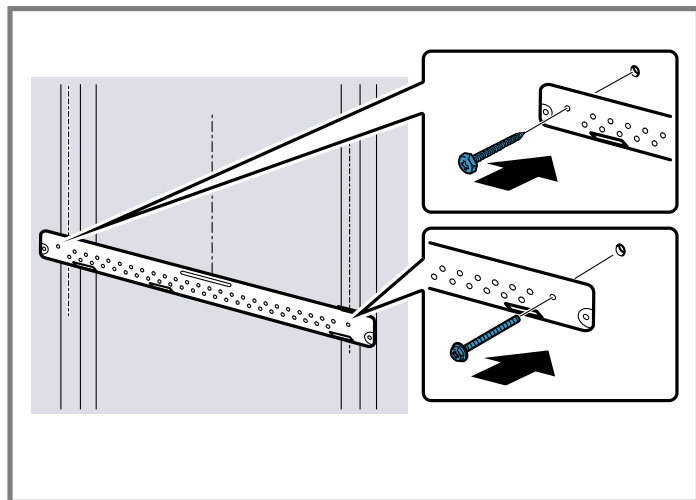
Si el montante de pared se encuentra a hasta 6¼" (159 mm) de la línea central vertical, solo pueden prepararse instalaciones de ventilación local (recirculación) o a través del tejado.



Montantes de pared en uno de los orificios de esquina



Sin montantes de pared en ninguno de los orificios de esquina



7.3 Preparación de la pared posterior

1. Asegurarse de que la base del gabinete esté recta.
2. Trazar una línea vertical en la pared en el centro del espacio del gabinete.
3. **Para gabinetes con saliente frontal:** trazar una línea en la pared posterior equivalente a la profundidad del saliente frontal.
4. Fijar la PLANTILLA DE LA PARED POSTERIOR en la pared de tal modo que coincida con la línea central y toque la base del gabinete o la línea de nivel.
5. Trazar una línea horizontal en la pared en la base de la PLANTILLA DE LA PARED POSTERIOR.
6. Taladrar orificios en las ubicaciones A y B de la PLANTILLA DE LA PARED POSTERIOR:
 - orificios de $\frac{3}{16}$ " (5 mm) para tornillos de madera (pernos);
 - orificios de $\frac{5}{8}$ " (16 mm) para tornillos de palanca (no pernos).

Si ni **A** ni **B** se encuentran en un montante, localizar uno en la zona de la placa de montaje y taladrar un orificio de $\frac{3}{16}$ " (5 mm).

Es importante utilizar al menos un tornillo de madera montado firmemente en un montante para que soporte el peso del aparato.

7. **⚠ PRECAUCIÓN** Instalación con ventilación de pared:
 - ▶ Si el adaptador de escape está situado fuera, se deben tener en cuenta las dimensiones recomendadas, de lo contrario el aire cargado de grasa se depositará en la casa.

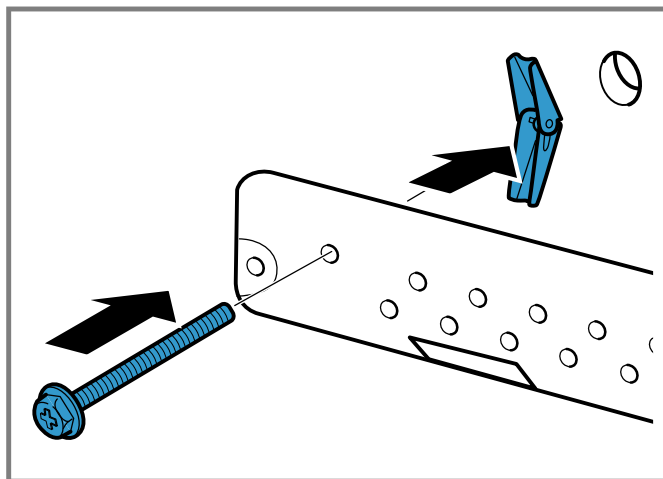
Solo para instalación con ventilación en la pared:

Recortar el área sombreada **F** de la PLANTILLA DE LA PARED POSTERIOR con ayuda de una sierra de sable o una caladora.

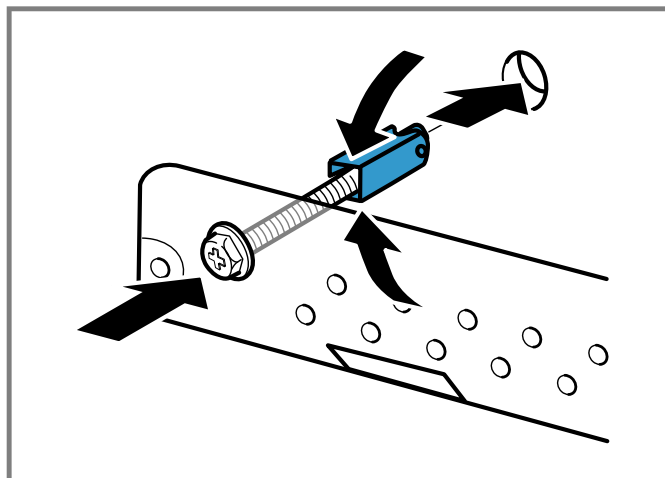
8. Retirar la PLANTILLA DE LA PARED POSTERIOR.

7.4 Fijación de la placa de montaje a la pared

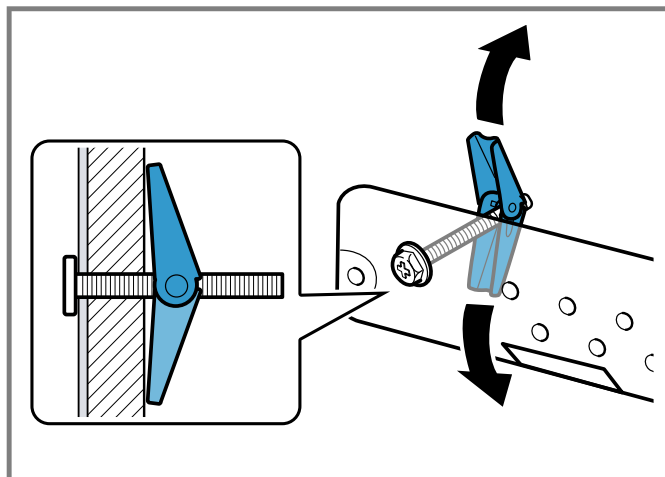
1. Retirar los anclajes de palanca de los pernos.
2. Introducir los pernos en la placa de montaje a través de los orificios diseñados para tablarroca.



3. Fijar los anclajes de palanca desde la parte posterior de la placa de montaje en cada perno. Dejar espacio suficiente para que los anclajes de palanca puedan atravesar la pared y para poder abrirlos.



4. Colocar la placa de montaje contra la pared y empujar los pernos a través de la tablarroca.
5. Apretar los pernos con los dedos para asegurarse de que los anclajes de palanca se hayan abierto contra la tablarroca.



6. Comprobar que la placa de montaje esté bien centrada y nivelada.
7. Apretar con seguridad todos los tornillos, incluido el de madera.

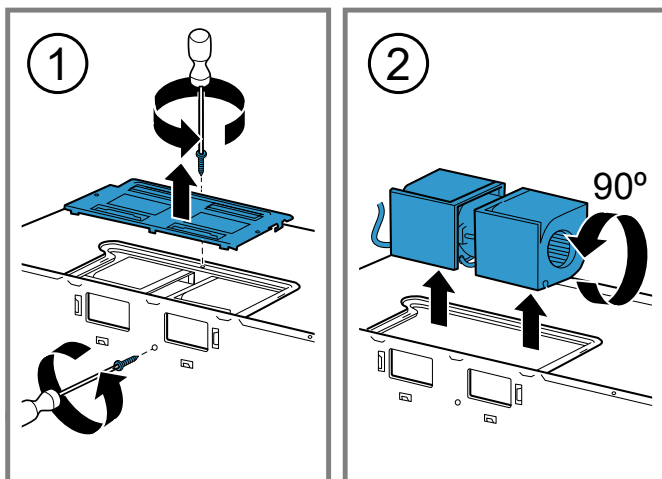
7.5 Adaptación del extractor del microondas

El aparato se envía ensamblado para su instalación con ventilación local. El unidad del extractor del microondas ya está colocada y no necesita adaptarse para la ventilación del espacio. Para la ventilación de techo o pared, ajustar la unidad del extractor de microondas como se describe en la sección correspondiente.

Adaptación del extractor del microondas al sistema de ventilación de techo

1. Retirar y guardar los tornillos que mantienen el motor y la placa del extractor. Levantar la placa del extractor y apartarla.

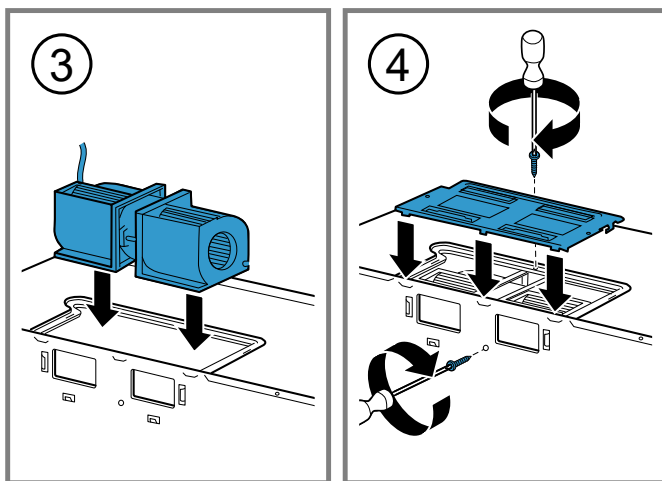
- Levantar cuidadosamente la unidad del extractor y girarla 90° para que las aberturas de las aspas del ventilador queden orientadas hacia la parte superior del aparato.



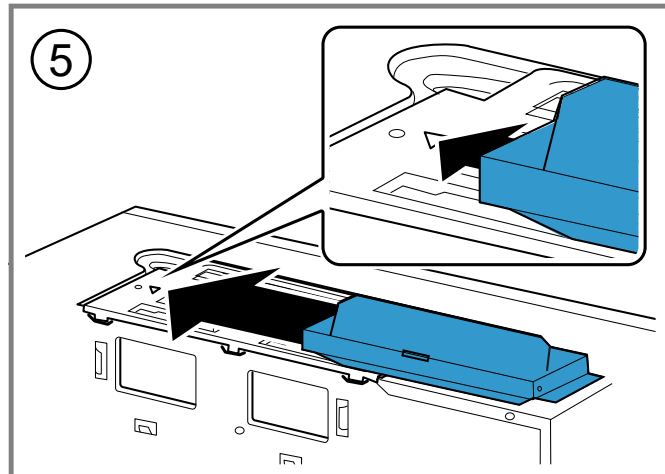
- ⚠ PRECAUCIÓN** No jalar el cableado de la unidad extractora. Asegurarse de que los cables no queden pellizcados y de que estén bien fijados.

Volver a colocar la unidad del extractor en la abertura.

- Sustituir la placa del extractor y fijarla con los tornillos apartados en el paso ①.

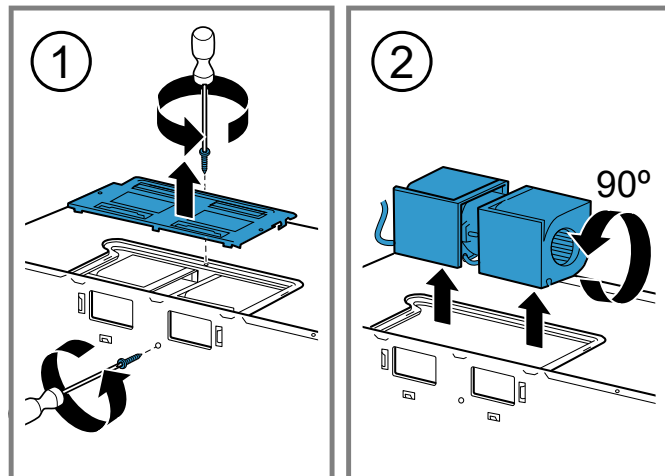


- Fijar el adaptador de escape en la parte superior de la placa del extractor deslizándolo en las guías. Empujarlo con seguridad hasta que se encuentre enganchado en las pestañas de bloqueo. Asegurarse de que la bisagra de amortiguación gire con libertad.



Adaptación del extractor del microondas al sistema de ventilación de pared

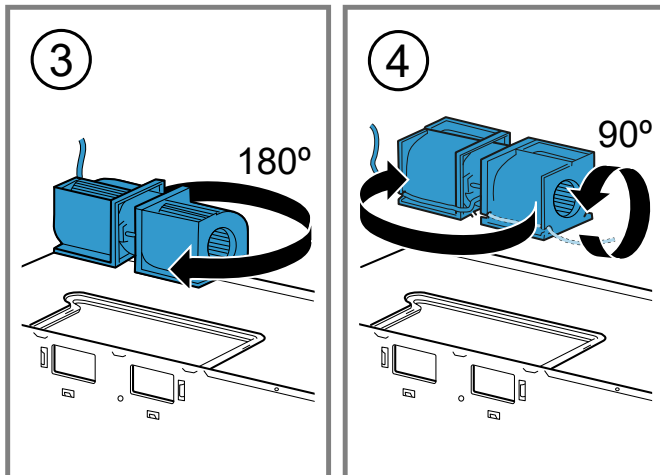
- Retirar y guardar los tornillos que mantienen el motor y la placa del extractor. Levantar la placa del extractor y apartarla.
- Levantar cuidadosamente la unidad del extractor y girarla 90° para que las aberturas de las aspas del ventilador queden orientadas hacia la parte superior del aparato.



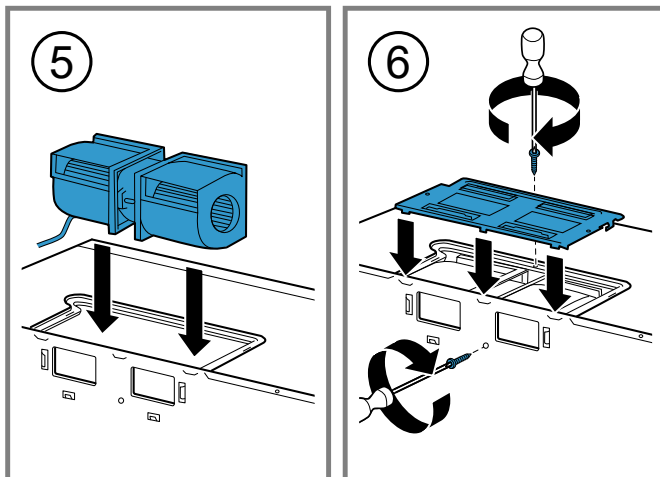
- Girar la unidad del extractor 180° en sentido antihorario.

4. **⚠ PRECAUCIÓN** No jalar el cableado de la unidad extractora. Asegurarse de que los cables no queden pellizcados y de que estén bien fijados.

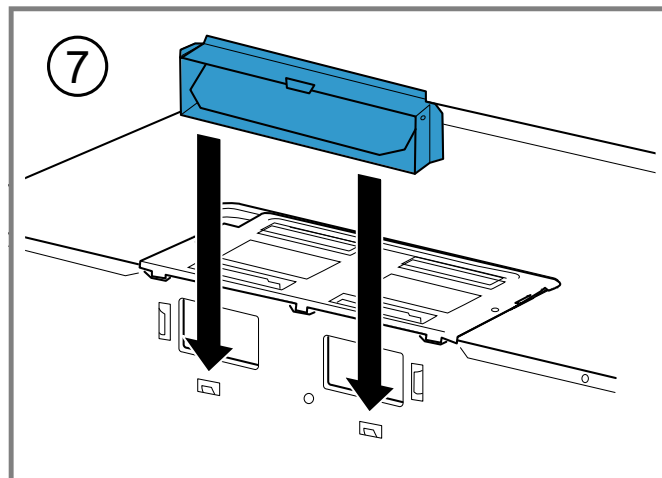
Sacar cuidadosamente los cables de las ranuras. Volver a enrutar los cables por las ranuras en el otro lado de la unidad del extractor. Girar la unidad del extractor 90° para que las aberturas de las aspas del ventilador queden orientadas hacia la parte posterior del aparato.



5. Volver a colocar la unidad del extractor en la abertura.
6. Sustituir la placa del extractor y fijarla con los tornillos apartados en el paso ①.



7. Fijar el adaptador de escape en la parte posterior del aparato deslizando en las guías. Empujarlo con seguridad hasta que se encuentre enganchado en las pestañas inferiores de bloqueo. Asegurarse de que la bisagra de amortiguación gire con libertad.



7.6 Preparación del gabinete

1. Desconectar el suministro de potencia a la toma de corriente en la caja del disyuntor.
2. Retirar todo el contenido del gabinete superior.
3. Adherir la PLANTILLA PARA EL GABINETE SUPERIOR en la superficie inferior del gabinete. Asegurarse de que la línea central de la plantilla quede alineada con la línea vertical en la pared. La pared trasera debe estar contra la pared trasera.

Nota: En caso de fondo en gabinete empotrado, recortar los extremos de la plantilla para que encaje dentro del área empotrada. La plantilla contiene líneas recortables para usarlas como guías.

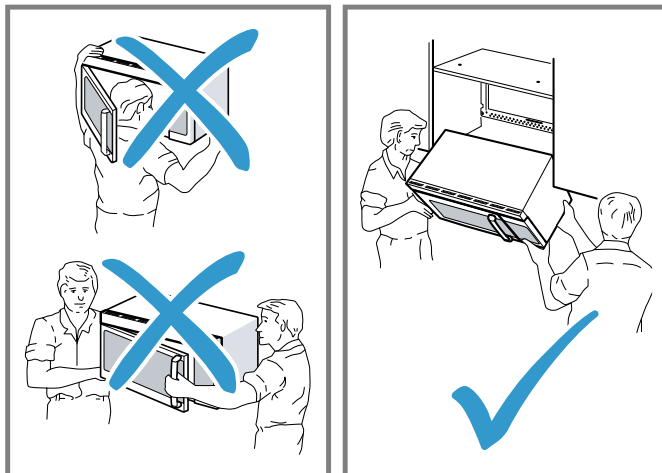
4. Taladrar orificios de $\frac{3}{8}$ " (10 mm) en las ubicaciones **A**, **B** y **C** en la PLANTILLA DEL GABINETE SUPERIOR.
5. **Solo para instalación con ventilación en techo:** recortar la zona sombreada **E** en la PLANTILLA DEL GABINETE SUPERIOR con ayuda de una sierra de sable o una caladora.
6. Retirar las plantillas de la parte posterior y el gabinete.

7.7 Montaje del aparato

Notas

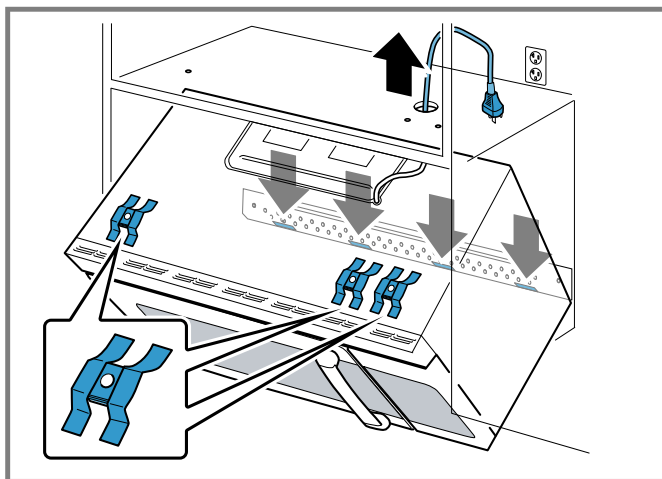
- Si la parte inferior del gabinete superior está empotrada o tiene saliente frontal, se tendrán que preparar bloques de carga para ofrecer apoyo adicional a los pernos. Tamaño de los bloques de carga: 51 mm x 51 mm (2" x 2"), profundidad equivalente al empotramiento o el saliente del gabinete.
 - Marcar el centro de cada bloque de carga y perforar un orificio de 10 mm ($\frac{3}{8}$ ").
 - Alinear los bloques de carga sobre las tres aberturas en la parte superior del aparato y fijarlos con cinta adhesiva.

- El aparato debe ser instalado al menos por dos personas. No asir ni usar el asa de la puerta durante la instalación.

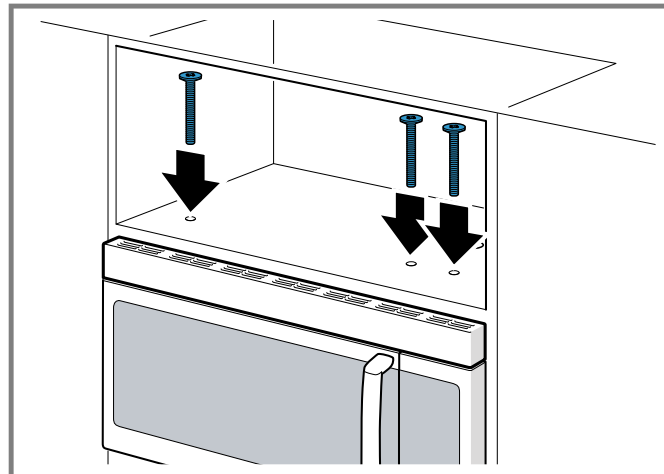


- Al montar el aparato, pasar el cable de corriente por el orificio en la parte inferior del gabinete superior. Mantener el cable tenso y no pellizcarlo, especialmente cuando se instale alineado con el fondo del gabinete. No jalar el cable para levantar el aparato.

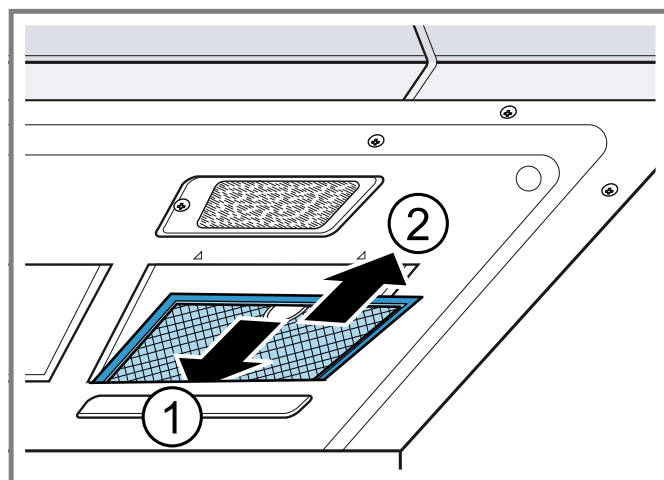
1. Levantar el aparato, inclinarlo hacia adelante y enganchar las ranuras del extremo inferior de la parte posterior en las cuatro lengüetas inferiores de la placa de fijación.
2. Girar la parte frontal del aparato hacia el fondo del gabinete.



3. Insertar un tornillo autoalineable (objeto A en la lista de piezas) en el agujero de la parte superior central del gabinete. Asegurar el aparato temporalmente girando el tornillo por lo menos dos vueltas completas después de que sus cuerdas hayan encajado.



4. Apretar el tornillo central por completo.
5. Apretar completamente los 2 tornillos exteriores en la parte superior del aparato, sujetando este en su sitio contra la pared y el gabinete superior.
6. Instalar los filtros antigrasa en la base del aparato.
 - Deslizar los 2 pasadores de la parte posterior del filtro en las ranuras situadas en la parte posterior de la abertura del filtro.
 - Empujar hacia arriba el filtro en la parte frontal hasta que la pestaña encaje en su sitio con un clic.



7.8 Campana extractora


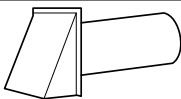
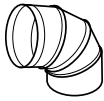

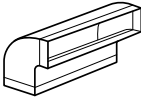
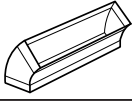
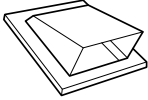
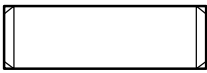
Al extraer humos al exterior, se requieren conductos de campana extractora. Leer atentamente las instrucciones siguientes.

Notas

- Es importante que la ventilación se instale con la ruta más directa y con el menor número de acodaduras posible. Así se garantiza una ventilación sin obstáculos de los humos de escape para evitar bloqueos.
- Asegurarse de que los amortiguadores puedan girar libremente y de que nada bloquee los conductos.
- El escape de la campana se ha diseñado para encajar con un conducto rectangular estándar de 3¼" x 10" (82 x 254 mm). Si se requiere un conducto cilíndrico, deberá utilizarse un adaptador de transición de tubo rectangular a redondo.

- No utilizar conductos de diámetros inferiores a 6" (152 mm). Para que el aire se desplace correctamente, la longitud total del conducto rectangular de 3¼" x 10" (82 x 254 mm) o del cilíndrico de 6" (152 mm) de diámetro no deben superar un nivel equivalente a 120 pies (36.5 m).
- Los componentes como acodaduras, transiciones, cubiertas de pared y techo, etc., generan una resistencia adicional que debe vencer el flujo de aire, y son equivalentes a una sección de conducto recto con una longitud superior a la real. Al calcular la longitud total del conducto, es preciso añadir las longitudes equivalentes de todas las transiciones y los adaptadores, además de la longitud de todas las secciones de conducto recto. La siguiente tabla muestra cómo calcular la longitud total equivalente de los conductos mediante la longitud equivalente aproximada en pies de algunos conductos típicos.

Las longitudes equivalentes de fragmentos de conductos se basan en pruebas reales y reflejan los requisitos para una buena ventilación con cualquier tipo de campana.

Parte de conducto			Cantidad de unidades utilizadas	= longitud equivalente
	Adaptador de transición de tubo rectangular a redondo Si se utiliza un adaptador de transición de tubo rectangular a redondo, es preciso asegurarse en primer lugar de que la bisagra amortiguadora del aparato gire con libertad. Si es necesario, cortar el amortiguador con unos cortadores de chapa para que las bisagras se muevan con libertad.	5 pies (1.5 m)	x	=
	Cubierta de pared	40 pies (12.2 m)	x	=
	Acodadura de 90°	10 pies (3 m)	x	=
	Acodadura de 45°	5 pies (1.5 m)	x	=
	Acodadura de 90°	25 pies (7.6 m)	x	=
	Acodadura de 45°	5 pies (1.5 m)	x	=
	Cubierta de techo	24 pies (7.3 m)	x	=
	Conducto recto <ul style="list-style-type: none"> ■ Redondo de 6" (152 mm) o ■ rectangular de 3¼" x 10" (82 x 254 mm) 	1 pie (0.3 m)	x	=

8 Comprobación del funcionamiento

Una vez completados los pasos de instalación, comprobar si el aparato funciona correctamente.

1. Encender la energía eléctrica en el interruptor automático.

2. Seleccionar el modo de CONVECCIÓN. Para instrucciones de manejo más detalladas, ver manual.
- ✓ Comprobar que se enciende la luz de la cavidad del aparato y que este se comienza a precalentar.

3. Comprobación del microondas: Colocar una taza de agua en la cavidad del aparato. Véase manual para obtener indicaciones sobre cómo calentar una bebida.
- ✓ Verificar que la luz de la cavidad del aparato se encienda y que el agua se caliente.
4. Si alguna de las pruebas no resulta como se explicó anteriormente, contactar con el Servicio Técnico para obtener ayuda.

9 Servicio de atención al cliente

En cada reparación cubierta por la garantía, nos aseguramos de que su aparato sea reparado con repuestos originales por un proveedor de servicio capacitado y autorizado. Solo utilizamos repuestos originales para todos los tipos de reparaciones. Las informaciones detalladas sobre el periodo de validez de la garantía y las condiciones de garantía las podrá encontrar en nuestras condiciones de garantía, con su distribuido o en nuestra página web.

Cuando se ponga en contacto con el servicio de atención al cliente, no olvide indicar el número de modelo (E-Nr.) y el número de fabricación (FD) de su aparato.

USA:

1-800-944-2904

www.bosch-home.com/us/owner-support/get-support

www.bosch-home.com/us/shop

CA:

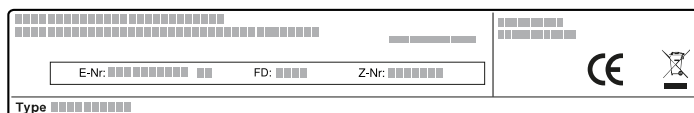
1-800-944-2904

www.bosch-home.ca/en/service/get-support

www.bosch-home.ca/en/service/cleaners-and-accessories

9.1 Número de modelo (E-Nr.) y número de fabricación (FD)

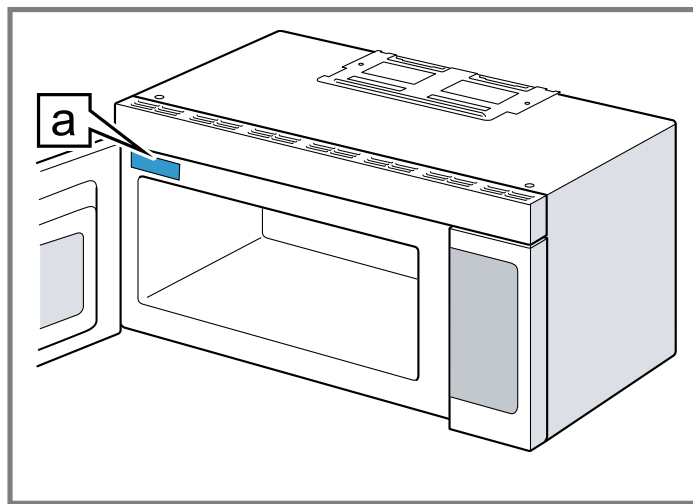
El número de modelo (E-Nr.) y el número de fabricación (FD) se encuentran en la placa de características del aparato.



Para volver a encontrar rápidamente los datos del aparato o el número de teléfono del servicio de atención al cliente, puede anotar dichos datos.

9.2 Ubicación de la placa de características del aparato

La placa de características del aparato se encuentra a la izquierda de la moldura de la puerta.



a Placa de características



Register your appliance to enjoy customized benefits.

Thank you for being a Bosch customer!
Simply create a MyBosch account, then register your appliance.
You'll find a variety of customized information in MyBosch such as:

- **Discounts for filters, cleaners, accessories & parts**
- **Easy access to manuals & appliance specifications**
- **Easy access to part lists**
- **Customized offer for the Bosch Appliance Service Plan (sent by mail after appliance registration)**

Register here:
www.bosch-home.com/us/owner-support/mybosch

BOSCH
HOME APPLIANCES
SERVICE

Looking for help? You'll find it here.

No matter what, no matter when: Bosch is here to support you.
We're here to assist with usage instructions, cleaning tips,
accessories & parts, troubleshooting, and repairs.
Find online resources such as FAQs, how-to-videos, manuals,
warranties and authorized Bosch servicers at:
www.bosch-home.com/us/owner-support/get-support

Contact us:
Please have your Model Number (E-Nr) ready when contacting us.
1-800-944-2904
www.bosch-home.com/us/owner-support/contact-us

BSH Home Appliances Corporation
1901 Main Street, Suite 600
Irvine, CA 92614
USA
www.bosch-home.com
1-800-944-2904
© 2024 BSH Home Appliances Corporation



9001885985 (040215)

en-us, fr-ca, es-mx