

Installation
GUIDE

Dishwasher



Table of contents

1 IMPORTANT SAFETY INSTRUCTIONS.....	3
1.1 Safety definitions.....	3
1.2 General information.....	3
1.3 Safe Installation	3
1.4 Electrical safety.....	3
1.5 State of California Proposition 65 Warnings	4
2 Before you begin.....	5
2.1 Inspect the Dishwasher	5
2.2 Parts Included	5
2.3 Tools and Parts Needed	5
2.4 Pre-install Checklist.....	6
2.5 Electrical Requirements	6
2.6 Cabinet Requirements	6
3 Installation Preparation	7
4 Installation Procedure	7
4.1 Attach Water Inlet Hose	7
4.2 Visual Leak Check	8
4.3 Pre-level the Dishwasher	8
4.4 Attach Power Cord.....	9
4.5 Mounting Brackets	9
4.6 Prepare Hoses and Power Cord.....	11
4.7 Install Dishwasher in Cabinet Space	11
4.8 Level the Dishwasher	12
4.9 Outer Door Assembly ¹	12
4.10 Secure the Dishwasher	13
4.11 Attach the Standard Toe Panel	13
5 Dishwasher Connection	14
5.1 Installing the Water Inlet Connection.....	14
5.2 Installing the Drain Connection	14
5.3 Electrical Connection and Test Cycle.....	15
6 Customer Service	15
6.1 Model number (E-Nr.) and production number (FD)	16

¹ Depending on the appliance specifications



IMPORTANT SAFETY INSTRUCTIONS

READ AND SAVE THESE INSTRUCTIONS

Read all of the instructions carefully before using the appliance. In order to reduce the risk of fire, electric shocks and personal injuries when using the appliance, follow the basic safety precautions, including the following safety instructions.

1.1 Safety definitions

Here you can find explanations of the safety signal words used in this manual.

WARNING

This indicates that death or serious injuries may occur as a result of non-observance of this warning.

CAUTION

This indicates that minor or moderate injuries may occur as a result of non-observance of this warning.

NOTICE:

This indicates that damage to the appliance or property may occur as a result of non-compliance with this advisory.

Note: This alerts you to important information and/or tips.

1.2 General information

To reduce the risk of fire, electrical shock, or serious injury, observe the following.

- Read and understand all instructions before using the appliance.
- Keep the provided documents in a safe place for future reference or for the next owner.
- Do not connect the appliance if it has been damaged in transit.
- Product damage and/or injury could result from the use of unqualified service technicians or non-original parts. All repairs should be performed by an authorized service provider using only original equipment factory replacement parts.
- NSF/ANSI 184 Certified residential dishwashers are not intended for licensed food establishments.

1.3 Safe Installation

Follow these safety instructions when installing the appliance.

- These instructions are intended for use by qualified installers only. The dishwasher must be installed by a qualified technician or installer.

- The dishwasher drain hose must be installed with a portion of it at least 33" (84 cm) off the floor; otherwise the dishwasher may not drain properly.
- This dishwasher is not for outdoor use. It is intended for indoor residential use only, and should not be used in commercial food service establishments.
- This dishwasher is designed to be enclosed on the top and both sides by cabinetry.
- **NEW INSTALLATION** - If the dishwasher is a new installation, ensure all connections are properly made before the dishwasher is moved into place.
- **REPLACEMENT** - If the dishwasher is replacing another dishwasher, check the existing dishwasher connections for compatibility with the new dishwasher, and replace parts as necessary.
- This appliance has been found to be in compliance with CAN/CSA-C22.2 No. 167/UL 749. It is the responsibility of the owner and the installer to determine if additional requirements and standards apply in specific installations.

WARNING

Under certain conditions, hydrogen gas may be produced in a hot water system that has not been used for two weeks or more. Hydrogen gas is explosive.

- ▶ Before using a dishwasher that is connected to a hot water system that has been unused for two weeks or longer, turn on all hot water faucets and let the water flow from each for several minutes. This will release any accumulated hydrogen gas. As the gas is explosive, do not smoke or use an open flame during this time.

1.4 Electrical safety

Follow these safety instructions to avoid electrical shock.

- The dishwasher must be properly grounded before operating. This appliance must be connected to a grounded metal permanent wiring system or an equipment grounding conductor must be run with the circuit conductors and connected to the equipment grounding terminal or lead on the dishwasher.
- **DO NOT** use an extension cord
- **DO NOT** reuse an old power cord; only use the cord provided.
- Make sure that the dishwasher is connected to a suitable ground in compliance with all local codes or, in the absence of a local code, with the NATIONAL



IMPORTANT SAFETY INSTRUCTIONS

READ AND SAVE THESE INSTRUCTIONS

ELECTRICAL CODE in the United States or the CANADIAN ELECTRIC CODE C22.1-latest edition in Canada as well as any provincial/state or municipal or local codes that apply

- Installations requiring hard wiring and terminal block - The accessory terminal block/junction box model, SMZPCJB1UC, designed for permanent wire connection, is not included but can be ordered through Customer Service by calling 1-800-944-2904. Follow the instructions included with the kit.

WARNING

Avoid Electrical Shock

- ▶ Do not work on an energized circuit. Doing so could result in serious injury or death. Only qualified electricians should perform electrical work. Do not attempt any work on the dishwasher electric supply circuit until you are certain the circuit is de-energized.
- ▶ To avoid possible injury or property damage, care should be exercised when the dishwasher is installed or removed to reduce the likelihood of damage to the power cord.

WARNING

Avoid Fire Hazard

- ▶ Make sure electrical work is properly installed and checked by qualified electricians.
- ▶ Make sure there are no loose electrical connections. Make sure all electrical connections are properly made. Loose and improperly installed electrical connections can result in overheating!

Wall outlet connections

- ▶ Only use the provided power cord for wall socket connections.
- ▶ DO NOT attach an extension cord or any type of modified cord or adapter with this appliance.
- ▶ DO NOT cut or splice the power cord.
- ▶ DO NOT alter the power cord in any way.

Permanent wire connections (in addition to the warnings above)

- ▶ Only use the junction box power cord, sold as Accessory kit #SMZPCJB1UC.
- ▶ Carefully review the terminal block installation instructions.
- ▶ DO NOT remove, alter or bypass the terminal block.

1.5 State of California Proposition 65 Warnings

This product may contain a chemical known to the State of California, which can cause cancer or reproductive harm. Therefore, the packaging of your product may bear the following label as required by California:

STATE OF CALIFORNIA PROPOSITION 65 WARNING:

 **WARNING**

Cancer and Reproductive Harm - www.P65Warnings.ca.gov

2 Before you begin

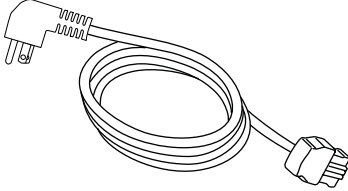

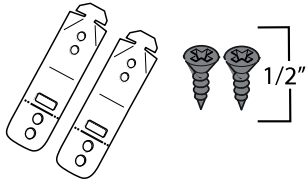
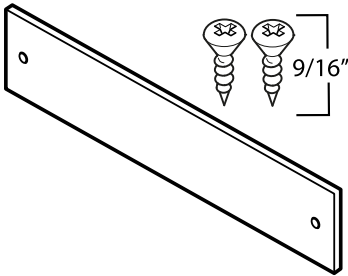
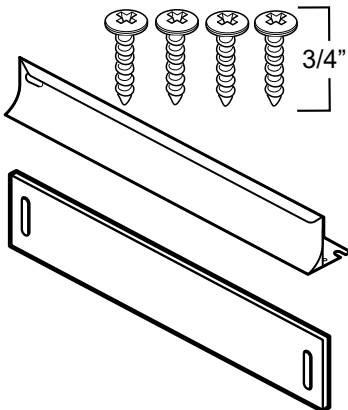
Read these instructions before you begin to install your appliance.

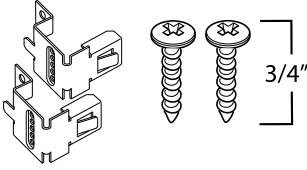
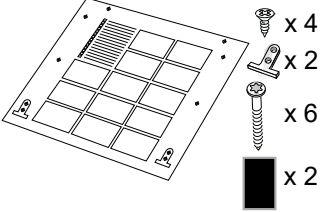
2.1 Inspect the Dishwasher

After unpacking the dishwasher and prior to installation, thoroughly inspect the dishwasher for possible freight or cosmetic damage. Report any damage immediately. Cosmetic defects must be reported within 30 days of installation. **NOTE:** Do not discard any bags or items that come with the original package until after the entire installation has been completed.

2.2 Parts Included

After unpacking all the parts, check for any damage in transit or missing parts.

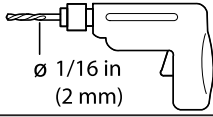
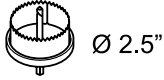


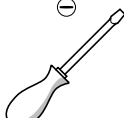
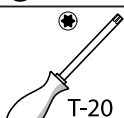
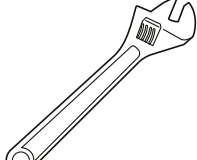
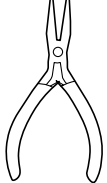
	Power Cord
	Screw Clamp
	Mounting Brackets Mounting Bracket wood screws for attaching to cabinetry
	Toe Panel *depending on your model Toe Panel Screws
	Plastic inner toe panel and slotted toe panel *depending on your model Toe panel screws

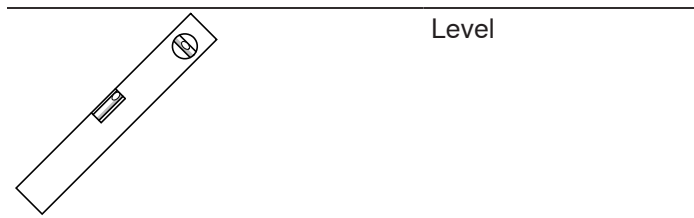
	Toe Panel Brackets Toe Panel Bracket Screws
	Fully integrated panel kit and instructions *depending on your model

2.3 Tools and Parts Needed

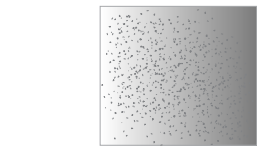
Gather these tools and additional parts before beginning the installation of your appliance.

Tools

	Power drill Ø 1/16 in (2 mm)
	Hole saw Ø 2.5"
	Measuring tape
	Crosshead screwdriver
	Flat screwdriver
	T-20 Star-head screwdriver
	Adjustable wrench x2
	Pliers



Level



Coarse sandpaper

Parts

	Elbow connection with 3/4" female hose threads on one end fits your water supply line on the other.
	Water inlet hose - minimum 3/8" outer diameter copper tubing or metal braided dishwasher supply line. * Both the elbow and the water inlet hose can be found in the dishwasher supply kit SMZSH1ABUC.
	Shut-off valve and fittings appropriate for hot water supply line.

2.4 Pre-install Checklist

Ensure that the following requirements are met when planning the installation of your appliance.

⚠ WARNING

Avoid Scalding or Electric Shock Hazard

- ▶ Make sure the water supply and electrical supply are shut off before installation or service.
- ▶ Do not allow the electrical and supply lines to touch.
- Select a location as close to the sink as possible for easy access to water supply and drain lines.
- Be sure the unit is installed close enough to the sink so the drain hose length does not exceed 92" (2337 mm) and so that a portion of the drain hose is raised at least 33" above the floor level.
- Check that the opening in the cabinet is large enough for routing the electric cable, water line, and drain hose, and if not, create a new opening. See → "Installation Preparation", Page 7
- If the opening is wood, be sure it is sanded smooth. If it is metal, be sure it is covered by a protective gasket.

- Be sure that your water heater set at 120° F (49° C) and the water pressure measures at 15-145 psi (1-10 bar)
- Determine the mounting method based on the dishwasher model and counter-top type. See → "Mounting Brackets", Page 9.
- Only use the included hardware for the installation. If you are replacing a dishwasher, dispose of old hose and other equipment properly.
- To avoid scratching the floor, have floor protection ready for when the dishwasher will be slid into the cabinet.

2.5 Electrical Requirements

Ensure that the following electrical requirements are met.

Dishwasher electrical rating

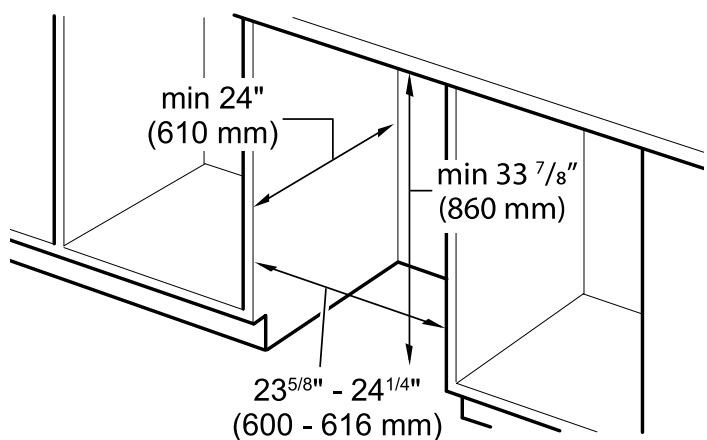
Volts	120
Hertz	60
Amperes	12
Watts	1,440 (max)

Electrical Supply

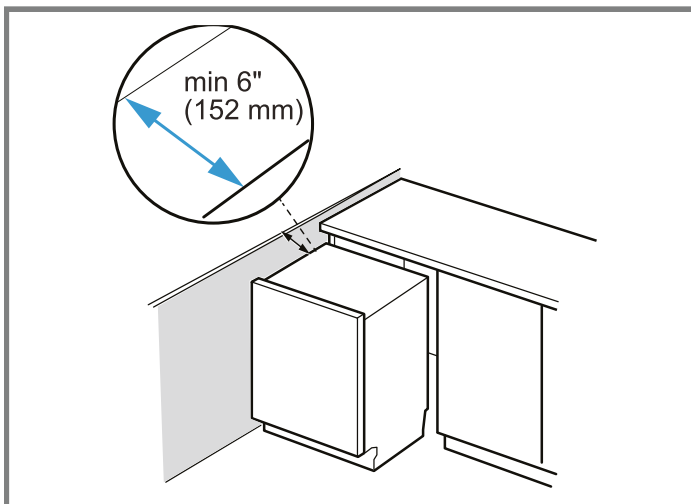
The customer has the responsibility of ensuring that the dishwasher electrical installation is in compliance with all national and local electrical codes and ordinances. The dishwasher is designed for an electrical supply of 120V, 60 Hz, AC, connected to a dishwasher-dedicated, properly grounded electrical circuit with a fuse or breaker rated 15 or 20 amps.

2.6 Cabinet Requirements

Ensure that the cabinet space for the installation meets the required dimensions.



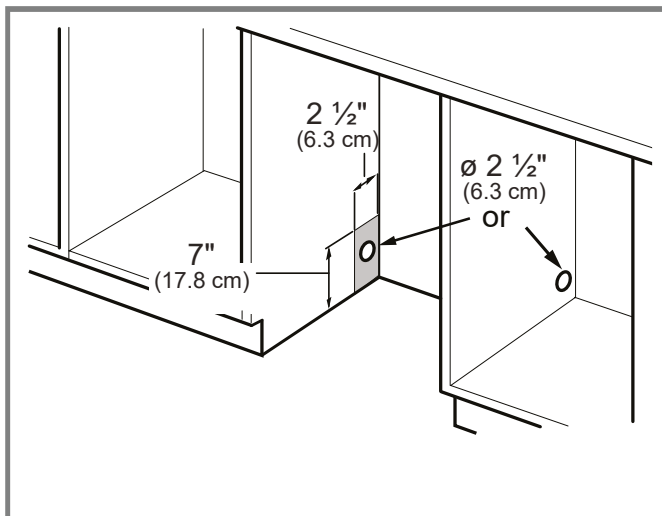
If the dishwasher is to be installed in a corner, ensure that there is adequate clearance to open the door as shown.



3 Installation Preparation

After locating the proper place for your dishwasher, create an opening to allow for water, drain and electrical lines on the appropriate side.

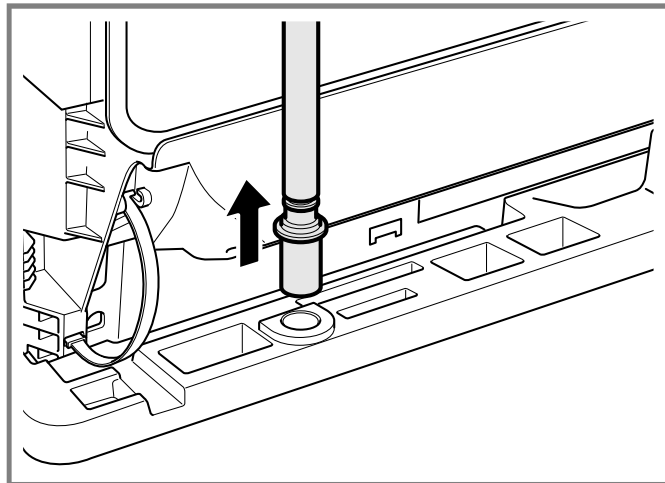
1. Cut a hole within the 7 x 2.5" area shown.



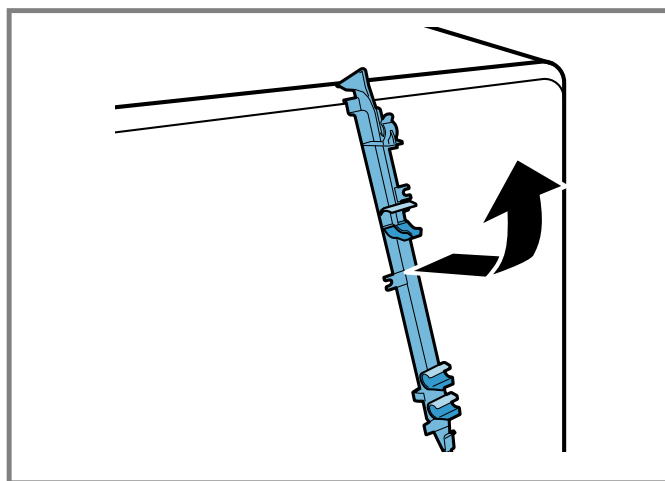
If the opening is made through wood, sand it smooth with coarse sandpaper.

If the opening is made through metal, use the Edge Protector with Power Cord clips Kit SMZEPCC1UC.

2. Pull the drain hose out of the packaging base as shown.



3. Set the toe panel aside for later use.
4. Remove the hose clip at the back of the dishwasher.



It can be used later to hold the drain hose inside your cabinet.



4 Installation Procedure

Follow these instructions to install the dishwasher.

4.1 Attach Water Inlet Hose

NOTICE:

Water inlet filter

- ▶ Do not remove the filter from inside the water inlet valve when connecting the water supply. It is a debris filter, not a cap, which must be in place for proper operation.

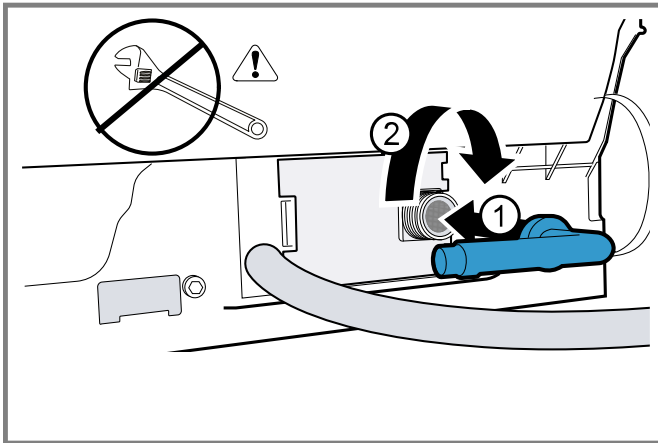
Avoid cross-threading

- ▶ Cross-threading will cause leaks.

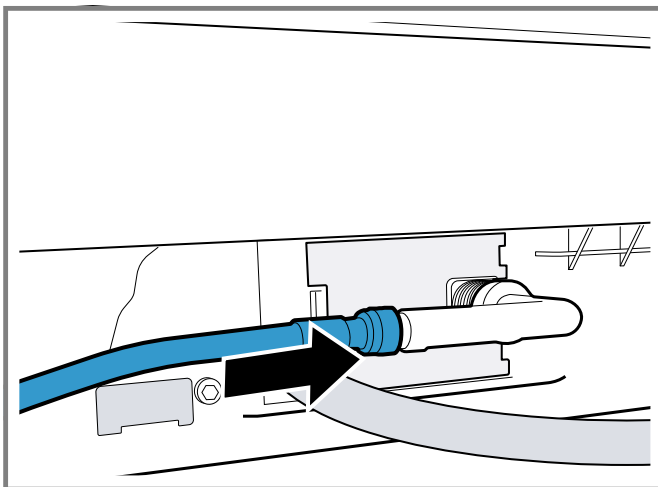
Teflon tape

- ▶ Do not use Teflon tape; it could cause leaks and damage floors or cabinetry.

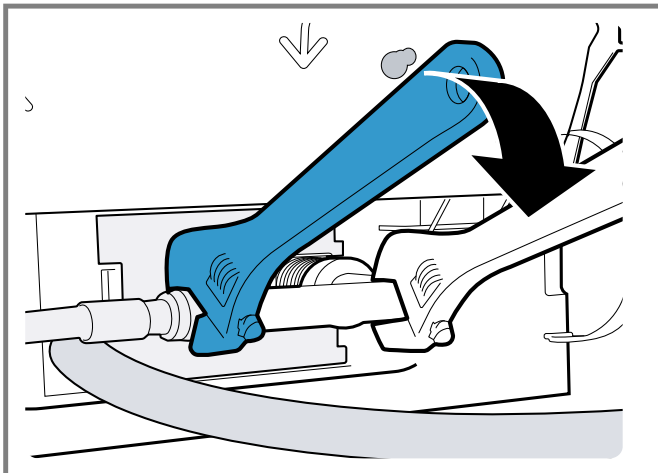
1. Attach elbow joint to the water inlet valve with the open end facing towards the direction of the sink, either to the left or the right. ①. Turn by hand and do not over tighten ②.



2. Attach hot water line to elbow.



3. Use two wrenches to tighten, using one to stabilize and avoid putting stress on the water inlet valve.



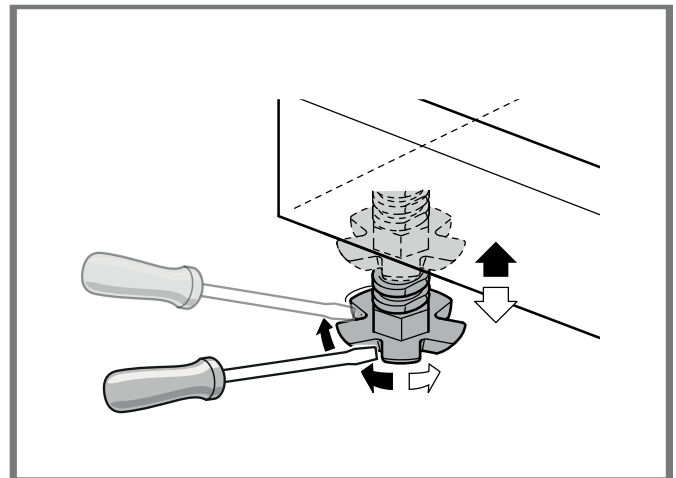
4.2 Visual Leak Check

1. Temporarily hook up water supply under the sink by going through the front of the sink cabinet. Do not turn on the power or push the dishwasher into the niche.
2. Turn the water on and check for leaks at the water inlet hose connection on the back of the dishwasher.

4.3 Pre-level the Dishwasher

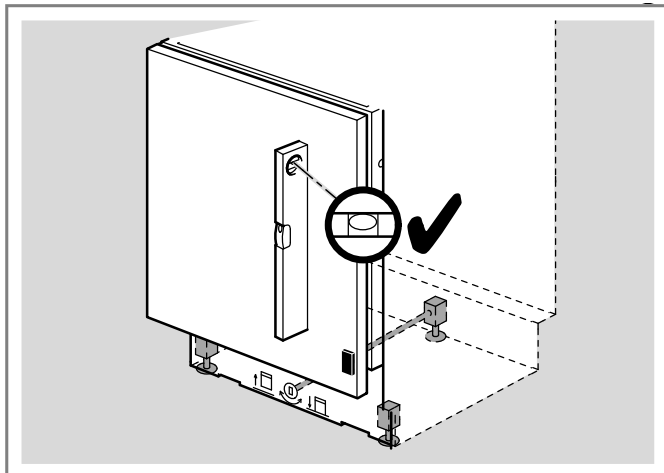
Set the dishwasher to the correct height before it goes into the cabinet.

1. Measure the height of the cabinet opening.
2. Raise the front of the dishwasher to approximately 1/2" lower than the height of the opening by turning the feet clockwise.
 - You can raise the rear foot after the unit is in the cabinet opening.



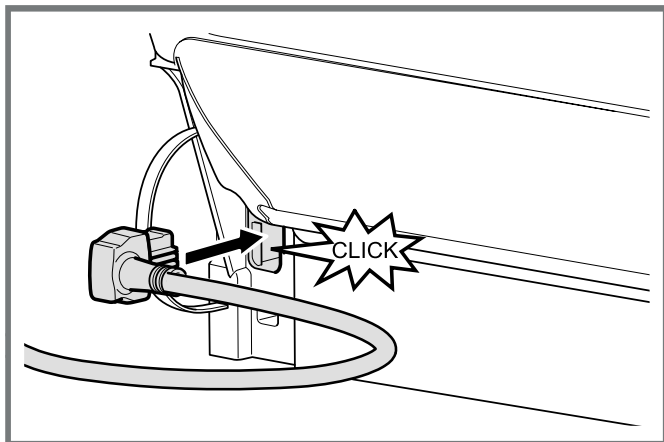
The maximum height the unit can be raised to is 34.5" (867.3 mm)

- Use a level on the top front to see that both feet are even. (The back foot will be adjusted after it is in the cabinet.)



4.4 Attach Power Cord

- Plug the end of the supply cord into the back of the dishwasher.
 - Be sure to push it all the way in until fully seated.



The outlet for the power supply cord should be located in a cabinet or wall adjacent to the dishwasher cabinet. Do not plug dishwasher into the wall outlet until all the steps of the installation are complete.

Notes

- If you require a permanent wiring connection, order kit junction box accessory kit SMZPCJB1UC.
- If local electrical codes require clips to secure the power cord wire to the dishwasher, use accessory kit SMZEPCC1UC.

4.5 Mounting Brackets

Before installing the supplied mounting brackets, decide which method of securing the dishwasher into its enclosure will be used, top (wood or porous material) or side (stone or solid surface). Once the mounting brackets are installed on the dishwasher, removing them is difficult and will damage the mounting brackets and the

dishwasher. If you have a Fully Integrated Panel, do not attach mounting brackets until after attaching the panel to the door.

⚠ WARNING

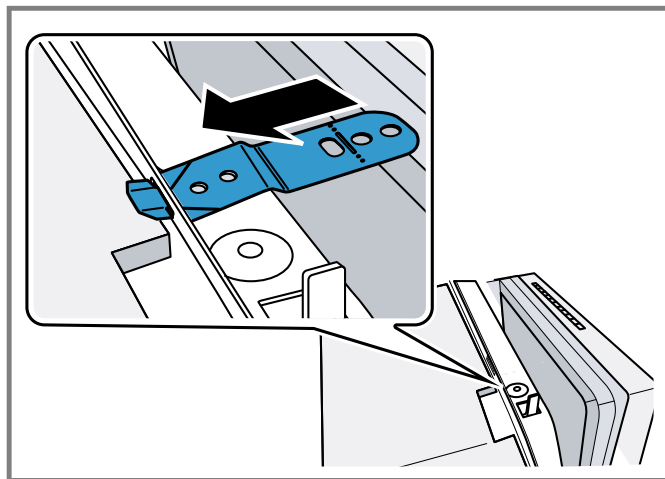
Avoid tip over hazard

- Do not use the dishwasher until it is completely installed. When opening the door on an uninstalled dishwasher, carefully open the door while supporting the rear of the unit. Failure to follow this warning can result in serious injury.

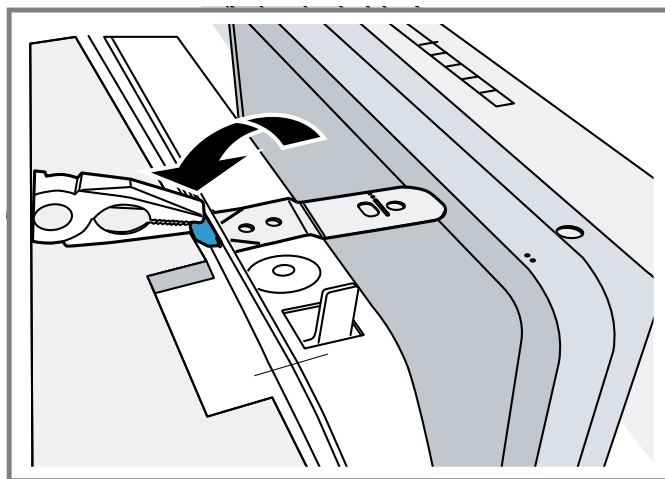
Top Mount

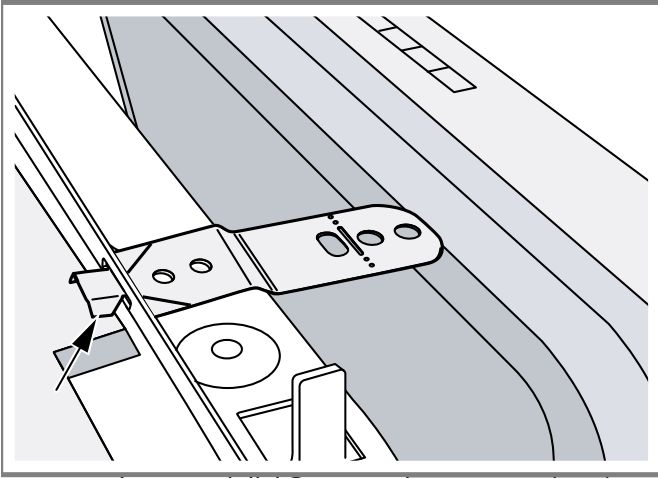
Top Mount is used for counter tops made of wood or other materials that can be easily drilled.

- Orient the mounting brackets and insert in the correct slot.

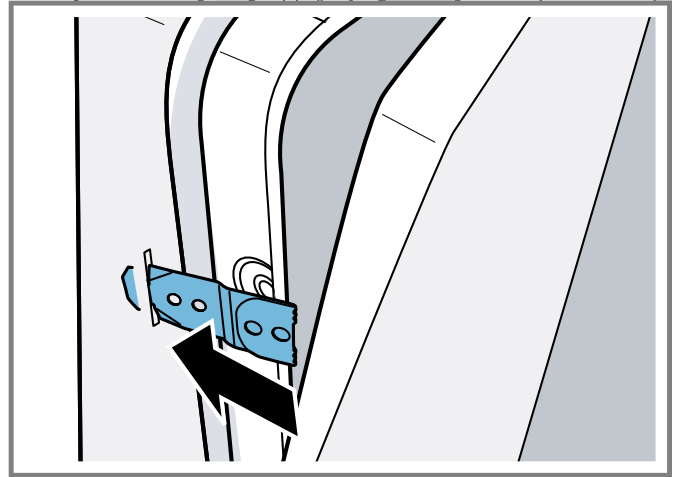


- Using pliers, bend side flanges down. Do not attach to cabinet yet.

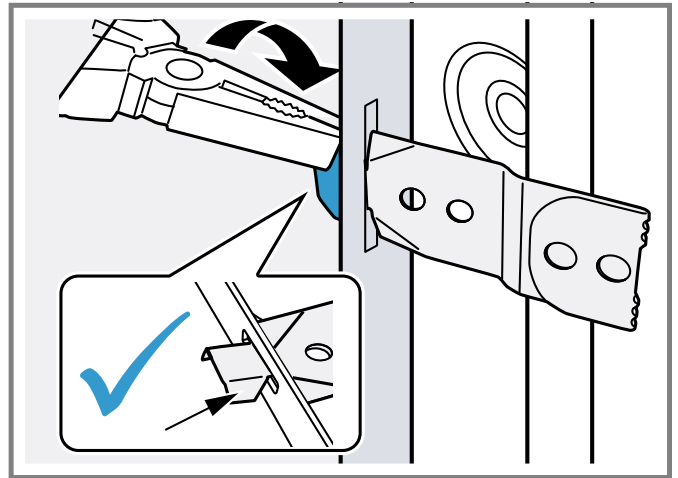




2. Slip bracket flange through side slots in frame.



3. Using pliers, bend side flanges. Do not attach to cabinet yet.



Side Mount

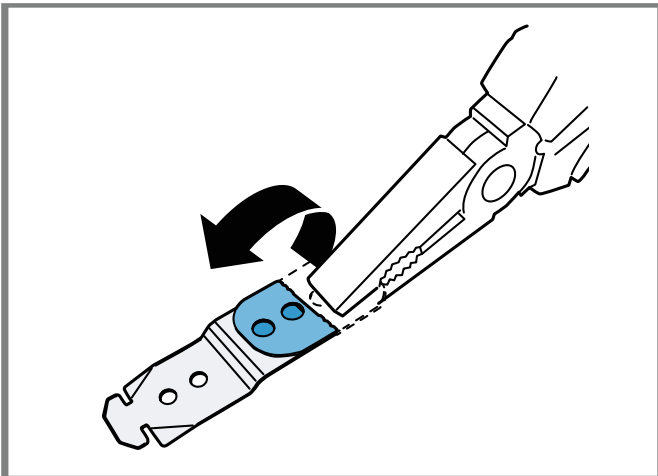
Side Mount is used for counter tops made of marble, granite, or other solid surface material that cannot be easily drilled.

⚠ CAUTION

Avoid sharp edges

- ▶ Do not break the mounting brackets; causes sharp edges.

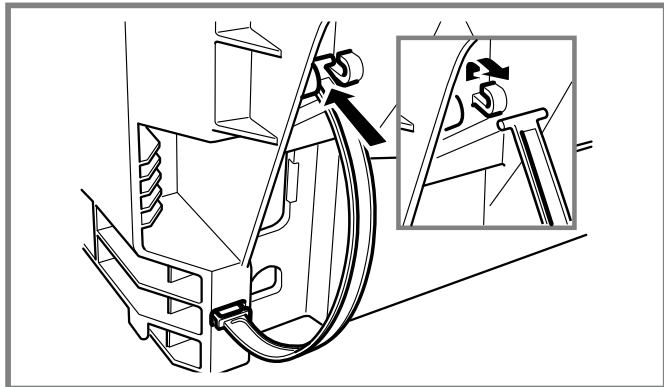
1. Grasp mounting bracket with pliers and fold bracket at the perforation over onto itself.



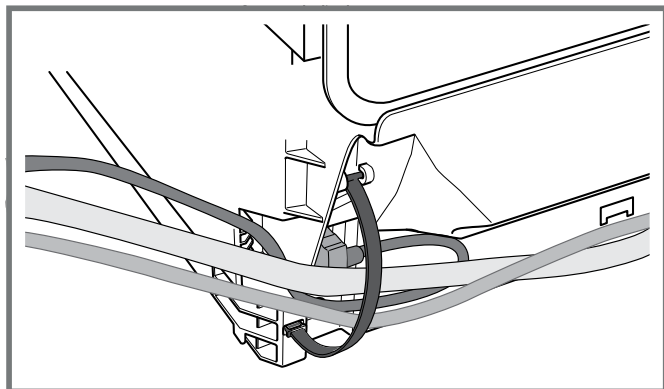
4.6 Prepare Hoses and Power Cord

The dishwasher drain hose is configured for a sink on the left side of the installation location. If your sink is on the right side, you will need to reposition the drain hose behind the dishwasher before installing.

1. If needed, unhook the strap and reposition the drain hose per your requirements. (If your sink is to the left side, leave the hose as it came.)



2. Position the drain hose, water inlet hose and the power cord so they all run through the strap on the appropriate side.



3. Attach the strap back in place to secure the hoses and cord.



4.7 Install Dishwasher in Cabinet Space

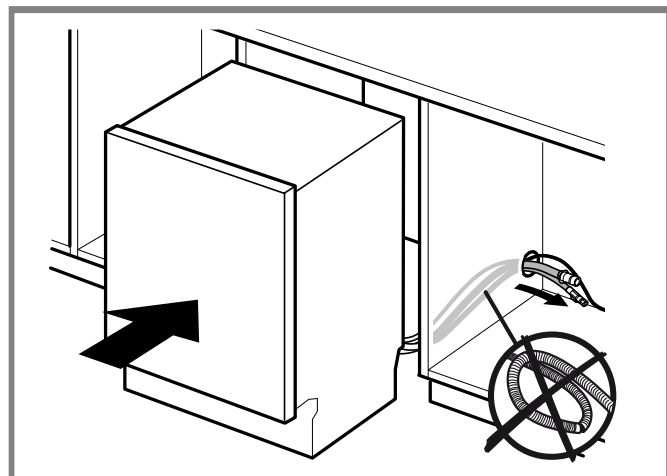
To avoid scratching the floor, use floor protection and caution when sliding the dishwasher into the cabinet.

NOTICE:

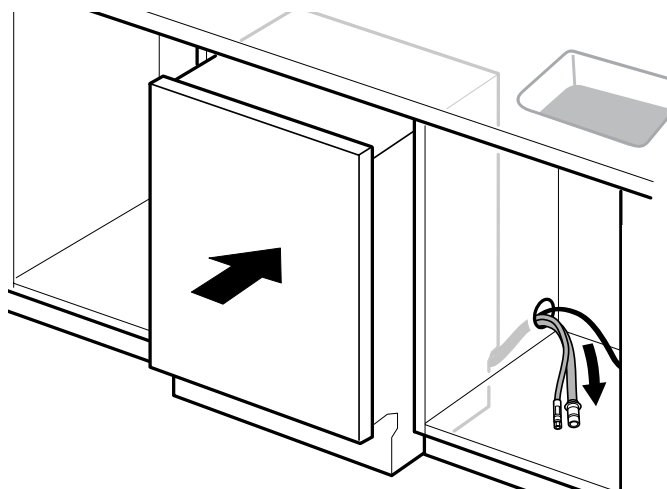
Avoid Hose Kinks

- ▶ Be careful while pushing dishwasher in. The hoses can fold, kink or break, potentially causing an obstruction or leak.

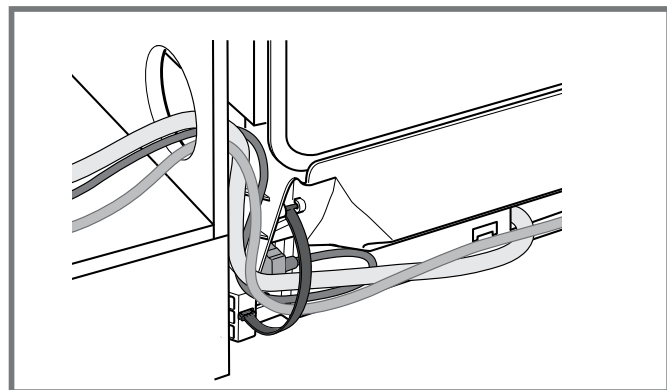
1. Feed the power cord through the low hole in the cabinet first and then add the hoses.
2. Using both hands, push dishwasher 1/3 of the way into the cabinet and STOP.



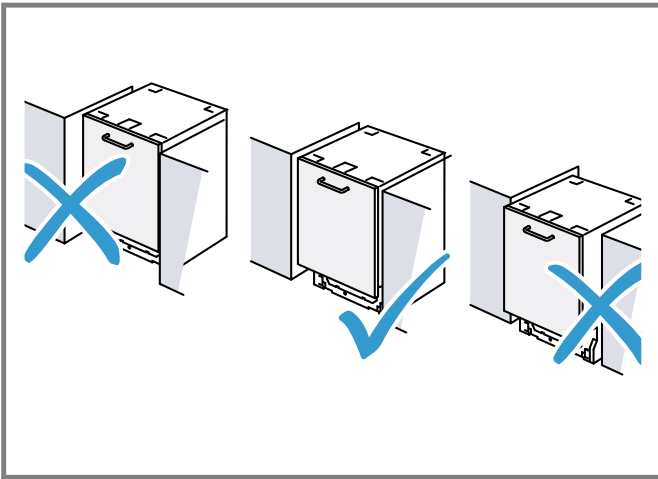
3. Pull the hoses and power cord through the hole in cabinet as shown.
4. Push the unit 2/3 of the way into the opening and STOP.



5. Reach into adjacent cabinet and pull hoses and excess power cord completely out so they do not get kinked.



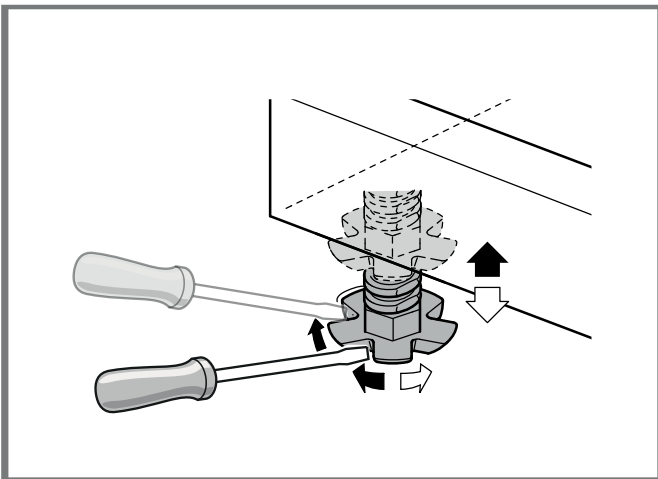
6. Finally, push the unit in until flush with cabinet door.



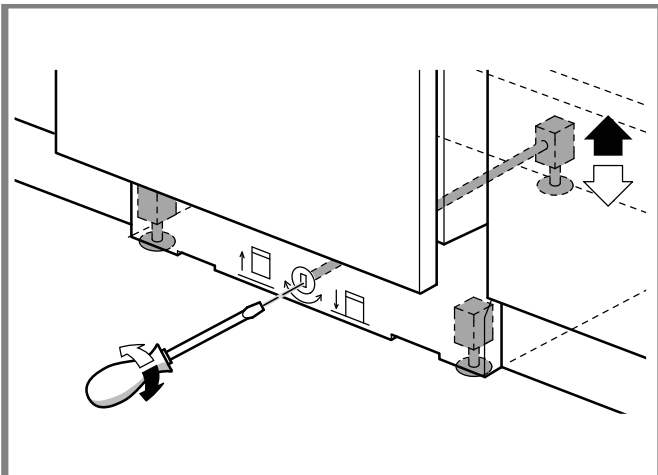
4.8 Level the Dishwasher

Now that the dishwasher is in the cabinet, check the levels again.

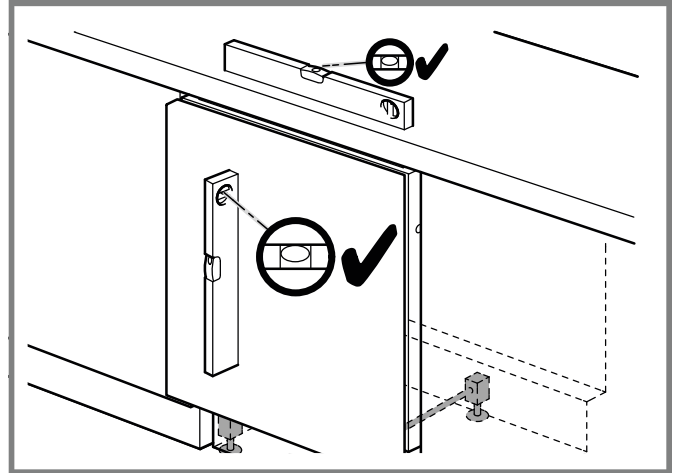
1. Level side to side by turning feet clockwise to raise or counter-clockwise to lower front.



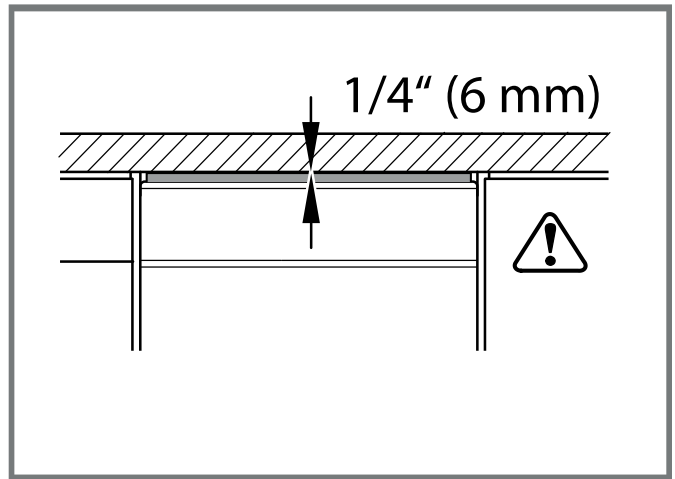
2. Level front to back by turning center screw clockwise to raise or counter-clockwise to lower the back.



3. Use a level to check that your dishwasher is level.
– Ensure that the countertop is level and adjust the dishwasher to the countertop.



4. Make sure the top of the door is no less than 1/4" (6 mm) from the underside of the counter.



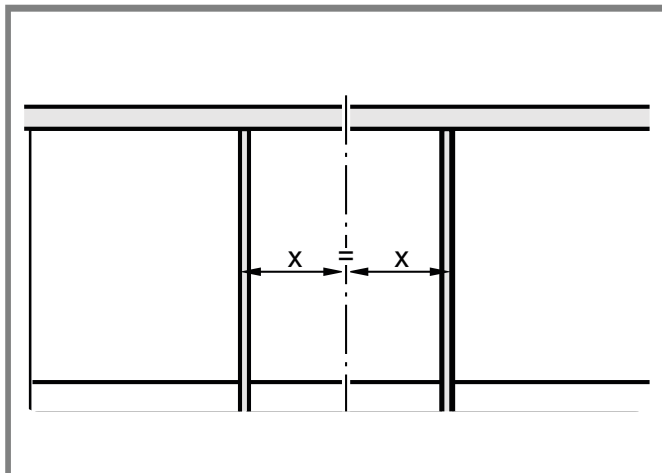
4.9 Outer Door Assembly¹

- ▶ Follow the instructions for outer door assembly on the fully integrated template.

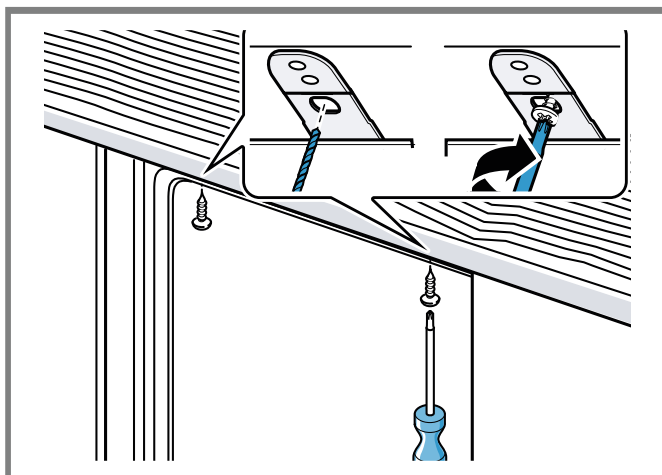
¹ Depending on the appliance specifications

4.10 Secure the Dishwasher

1. Center the dishwasher in the opening.

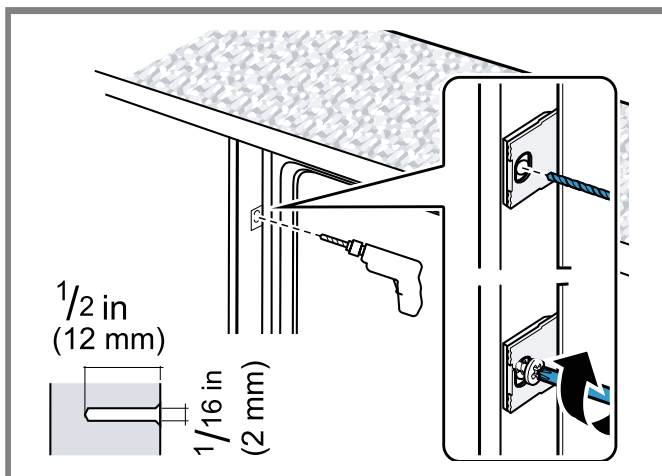


2. If using the Top Mount, and screw the 1/2" (12.7mm) wood screws through the holes in the mounting brackets. Choose the bracket hole best suited for your installation.



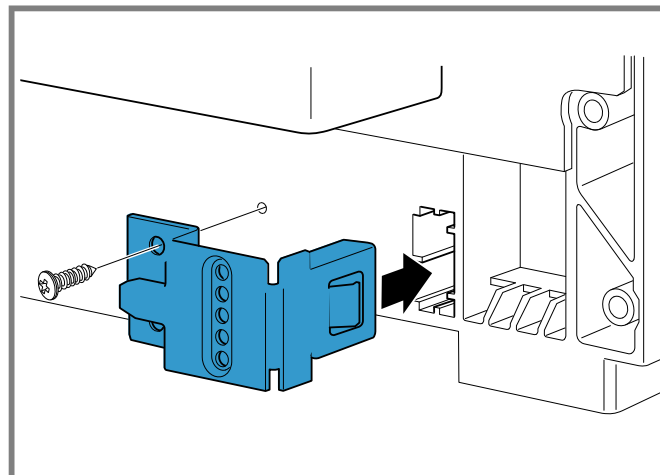
If the dishwasher came with a protective barrier, screw through the barrier.

3. For Side Mount, lift the flap on the deco strip and insert the 1/2" (12.7mm) wood screws underneath.

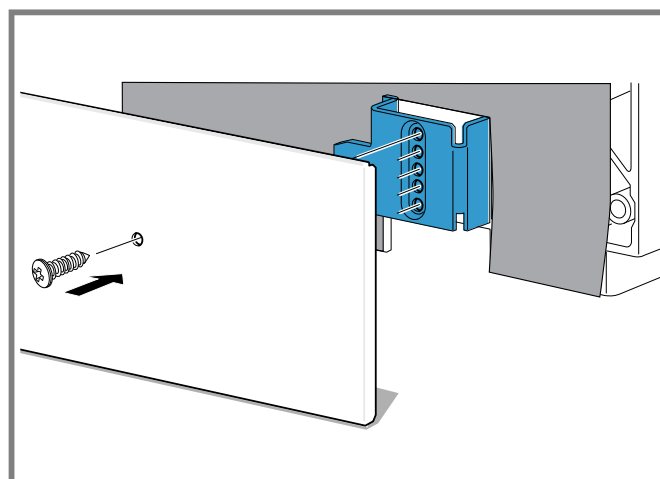


4.11 Attach the Standard Toe Panel

1. Insert the toe panel brackets into the openings on both sides by pressing hard until they are fully seated.
2. Use the 3/4" (19mm) toe panel bracket screws to mount metal brackets to the base



3. Slide toe panel into position ensuring the bottom of the toe panel is flush with the floor.
4. Use the 9/16" (14mm) toe panel screws to mount the toe panel through the hole it matches up with on the metal brackets.



The toe panel height can be adjusted by screwing into a different hole in the bracket.

5 Dishwasher Connection

Follow these instructions to connect the dishwasher.

5.1 Installing the Water Inlet Connection

The hot water heater should be set to deliver approximately 120 °F (49 °C) [max. 140 °F/ (60 °C)] water to the dishwasher. Water that is too hot can cause some detergents to lose effectiveness. Lower water temperatures will increase run times. The hot water supply pressure must be between 7.25 - 145 psi (0.5 - 10 bar).

⚠ WARNING

Scalding Hazard

- ▶ Do not perform any work on a pressured hot water line. Serious injury could result. Only qualified plumbers should perform plumbing work. Do not attempt any work on the dishwasher hot water supply plumbing until you are certain the hot water supply is shut off.

NOTICE:

Soldering plumbing lines

- ▶ Temperatures required for soldering and sweating will damage the dishwasher. If plumbing lines are to be soldered or sweated, keep the heat source at least 6 inches (152.4 mm) away from the dishwasher.

Plumbing codes

- ▶ Check local plumbing codes for approved plumbing procedures and accessories. All plumbing should be done in accordance with national and local codes.

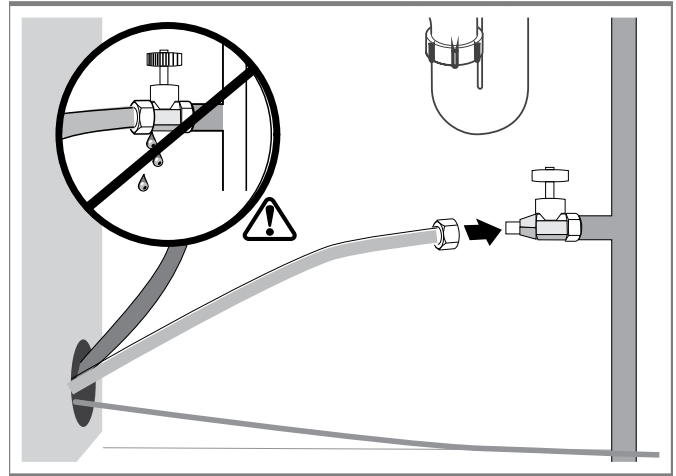
Note

Important notes for water connection:

- If using a solder joint instead of a compression fitting, be sure to complete all solder connections before connecting the water supply line to the dishwasher.
- Use an approved dishwasher water supply line with the correct fittings for this connection.
- If using copper tubing or other material not depicted in this manual for water supply, defer to a licensed plumber for proper installation.
- Always use appropriate seals when making plumbing connections.

1. Flush the incoming water line for approximately 1 minute to clear any foreign material.

2. Connect the dishwasher water supply line to the water shut off valve, using the adaptor if included with your model. Turn by hand and do not over tighten.
 - Install a shut off valve if one isn't already in the supply line.
 - Make sure there are no sharp bends or kinks in the water line that might restrict water flow.



3. After all connections are made, turn on the hot water and check for leaks.

5.2 Installing the Drain Connection

The drain hose must be installed with either a high loop or an air gap.

NOTICE:

Proper drain hose installation

- ▶ The dishwasher drain hose must be installed with a portion of it at least 33" (84 cm) off the floor; otherwise the dishwasher may not drain properly.

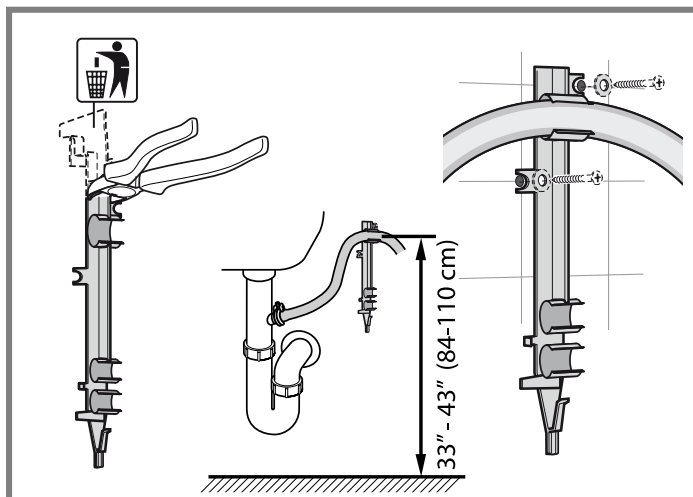
Remove garbage disposal plug

- ▶ If the dishwasher drain hose will be connected to a garbage disposal connection, first remove the plug from the disposal connection.

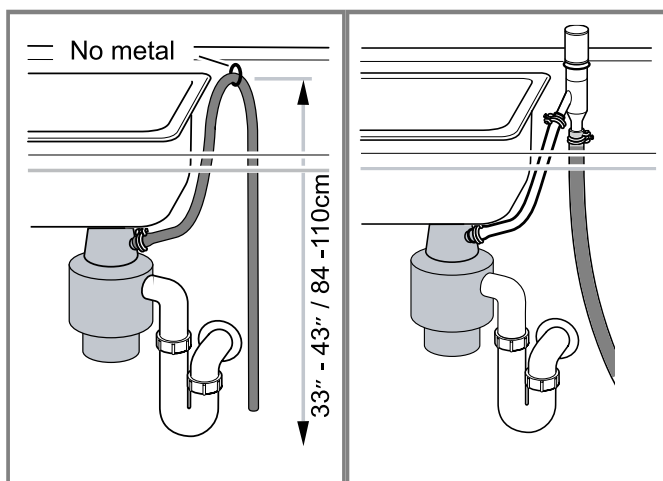
Note

Important notes for drain connection:

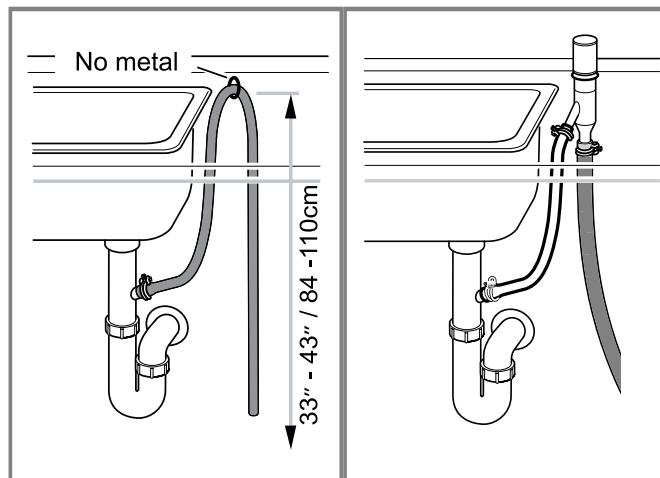
- If local ordinance require an air gap, install it according to the manufacturer's instructions.
- The drain hose length can be extended if necessary. Use kit #SGZ1010UC. The maximum length of the drain hose, including the hose leading to the air gap, is 150" (380 cm).
- You may attach the hose clip to the inside of the adjacent cabinet to hang the drain hose (screws are not supplied) in place of using a nonmetallic tie as pictured in the next illustrations. Do not exceed 43" in drain hose height.



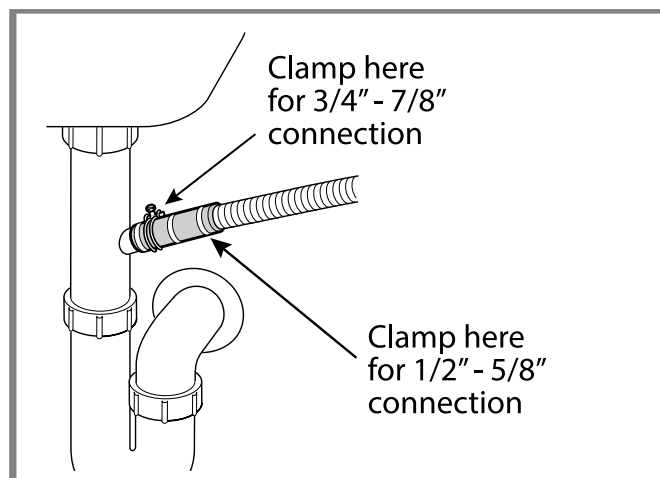
1. Place hose clamp around end of drain hose BEFORE connecting to the plumbing.
2. If you have a garbage disposal, connect the drain hose to the garbage disposal with either a high loop or an air gap.



3. If you do not have a garbage disposal, connect the drain hose to the drain connection with either a high loop or an air gap.



4. Tighten the hose clamp around the house plumbing.



5.3 Electrical Connection and Test Cycle

1. For wall outlet connections, plug the dishwasher into the outlet.
2. Turn on power supply.
3. Make sure the water supply is on.
4. Turn the dishwasher on and run a test cycle for 15 minutes.
5. Check to make sure the cycle operates and there are no leaks while it is running.
6. Stop the cycle and turn off the dishwasher.
7. Your installation is complete.

6 Customer Service

With any warranty repair, we will make sure your appliance is repaired by an authorized service provider using genuine replacement parts. We use only genuine replacement parts for all repairs. Detailed information on the warranty period and terms of warranty can be found in the Statement of Limited Product Warranty, from your retailer, or on our website. If you contact Customer Service, you will need the model number (E-Nr.) and the production number (FD) of your appliance.

USA:

1-800-735-4328

www.thermador.com/support

www.thermador.com/us/accessories

CA:

1-800-735-4328

www.thermador.ca

www.thermador.ca/en/support/filters-cleaners-accessories

For assistance with connecting to Home Connect®, you can also view instructions here:

www.home-connect.com/us/en/help-support/set-up

6.1 Model number (E-Nr.) and production number (FD)

You can find the model number (E-Nr.) and the production number (FD) on the appliance's rating plate.

The rating plate is located inside the appliance door.

Making a note of your appliance's details and the Customer Service telephone number will enable you to find them again quickly.

Table des matières

1 IMPORTANTES CONSIGNES DE SÉCURITÉ	18
1.1 Définitions des termes de sécurité	18
1.2 Informations générales.....	18
1.3 Installation sûre.....	18
1.4 Sécurité électrique	19
1.5 Mises en garde conformément à la proposition 65 de l'État de Californie	19
2 Avant de commencer.....	20
2.1 Inspecter le lave-vaisselle	20
2.2 Pièces incluses	20
2.3 Outils et pièces nécessaires.....	20
2.4 Liste de contrôle avant l'installation.....	21
2.5 Exigences électriques	21
2.6 Exigences concernant les armoires.....	21
3 Préparation avant l'installation	22
4 Procédure d'installation	23
4.1 Fixer le flexible d'arrivée d'eau	23
4.2 Contrôle visuel des fuites	23
4.3 Mise à niveau préalable du lave-vaisselle	23
4.4 Fixer le cordon d'alimentation	24
4.5 Équerres de fixation	24
4.6 Préparer les tuyaux et le cordon d'alimentation.....	26
4.7 Installer un lave-vaisselle dans un meuble	26
4.8 Mise à niveau du lave-vaisselle.....	27
4.9 Assemblage de la porte extérieure ¹	28
4.10 Fixer le lave-vaisselle.....	28
4.11 Fixer la plinthe standard.....	29
5 Raccordement du lave-vaisselle.....	29
5.1 Installation de l'arrivée d'eau.....	29
5.2 Installation du raccord d'évacuation	30
5.3 Connexion électrique et cycle d'essai	31
6 Service à la clientèle.....	31
6.1 Numéro de modèle (E-Nr.) et numéro de fabrication (FD)	31

¹ selon l'équipement de l'appareil



IMPORTANTES CONSIGNES DE SÉCURITÉ

LIRE ET CONSERVER CES INSTRUCTIONS

Lisez attentivement toutes les instructions avant d'utiliser l'appareil. Afin de réduire les risques d'incendie, d'électrocution et de blessures corporelles lorsque vous utilisez l'appareil, suivez les précautions de base, et notamment les consignes de sécurité suivantes.

1.1 Définitions des termes de sécurité

Vous trouverez ici des explications sur les mots de signalisation de sécurité utilisés dans ce manuel.

AVERTISSEMENT

Signale un risque de mort ou de blessure grave si l'avertissement n'est pas respecté.

MISE EN GARDE

Signale un risque de blessures mineures ou modérées si l'avertissement n'est pas respecté.

AVIS :

Ceci indique que la non-conformité à cet avis de sécurité peut entraîner des dégâts matériels ou endommager l'appareil.

Remarque : Ceci vous signale des informations et/ou indications importantes.

1.2 Informations générales

Pour réduire le risque d'incendie, de choc électrique, ou de blessures graves, respectez les consignes suivantes.

- Veuillez lire et comprendre toutes les notices avant d'utiliser l'appareil.
- Conservez tous les documents préparés pour consultation ultérieure ou pour les remettre au propriétaire suivant.
- Ne branchez pas l'appareil si ce dernier a été endommagé durant le transport.
- Le recours à des techniciens non qualifiés ou à des pièces de rechange non d'origine risque d'endommager le produit ou d'entraîner des blessures. Tous les travaux de réparation doivent être effectués par un technicien qualifié utilisant uniquement des pièces de rechange d'origine.
- Les lave-vaisselle domestiques certifiés NSF/ANSI 184 ne sont pas destinés aux établissements de services alimentaires agréés.

1.3 Installation sûre

Suivez les consignes de sécurité suivantes lors de l'installation de l'appareil.

- Ces instructions d'installation sont destinées à des installateurs qualifiés uniquement. Le lave-vaisselle doit être installé par un technicien ou un installateur qualifié.
- Le tuyau d'évacuation du lave-vaisselle doit être installé avec une partie de celui-ci à au moins 33 po (84 cm) du sol, sinon le lave-vaisselle risque de ne pas s'écouler correctement.
- Ce lave-vaisselle ne doit pas être utilisé à l'extérieur. Il est destiné à un usage résidentiel intérieur uniquement et ne doit pas être utilisé dans les établissements de restauration commerciale.
- Ce lave-vaisselle est conçu pour être entouré d'armoires sur le dessus et les deux côtés.
- NOUVELLE INSTALLATION - Si le lave-vaisselle est une nouvelle installation, assurez-vous que tous les raccordements sont correctement effectués avant de mettre le lave-vaisselle en place.
- REMPLACEMENT - Si le lave-vaisselle remplace un autre lave-vaisselle, assurez-vous que les raccordements du lave-vaisselle existant sont compatibles avec le nouveau lave-vaisselle et remplacez les pièces si nécessaire.
- Cet appareil a été jugé conforme à la norme CAN/CSA-C22.2 n° 167/UL 749. Il est de la responsabilité du propriétaire et de l'installateur de déterminer si des exigences et des normes supplémentaires s'appliquent à des installations spécifiques.

AVERTISSEMENT

Sous certaines conditions, de l'hydrogène gazeux peut se créer dans un système d'eau chaude inutilisé pendant deux semaines ou plus. L'hydrogène gazeux est de nature explosive.

- ▶ Avant d'utiliser un lave-vaisselle connecté à un système d'eau chaude inutilisé pendant deux semaines ou plus, ouvrir tous les robinets d'eau chaude et laisser l'eau s'écouler pendant plusieurs minutes. Ceci libérera toute accumulation d'hydrogène gazeux. Compte tenu de la nature explosive du gaz, éviter de fumer ou d'utiliser des flammes nues à ce moment.



IMPORTANTES CONSIGNES DE SÉCURITÉ

LIRE ET CONSERVER CES INSTRUCTIONS

1.4 Sécurité électrique

Suivez les consignes de sécurité suivantes pour éviter tout choc électrique.

- Le lave-vaisselle doit être correctement mis à la terre avant de fonctionner. Cet équipement doit être branché à un système de câblage permanent en métal et mis à la terre, ou un conducteur de mise à la terre d'équipement doit être intégré aux conducteurs d'alimentation et connecté au terminal de mise à la masse de l'équipement ou à la broche de raccordement du lave-vaisselle.
- N'utilisez PAS de rallonge
- Ne réutilisez PAS un vieux cordon d'alimentation; utilisez uniquement le cordon fourni.
- Assurez-vous que le lave-vaisselle est correctement relié à la terre conformément à tous les codes municipaux ou, en l'absence de code municipal, au NATIONAL ELECTRICAL CODE aux États-Unis ou au CODE CANADIEN DE L'ÉLECTRICITÉ C22.1 (dernière édition) au Canada, ainsi qu'à tous les codes provinciaux/étatiques ou municipaux applicables
- Installations nécessitant un câblage réel et un bornier - Le modèle accessoire de bornier/boîte de jonction, SMZPCJB1UC, conçu pour un branchement permanent des fils, peut être commandé auprès du service à la clientèle au 1-800-944-2904. Suivez les instructions fournies avec la trousse.

AVERTISSEMENT

Éviter les chocs électriques

- ▶ Ne travaillez pas sur un circuit sous tension. Cela pourrait entraîner des blessures graves ou la mort. Seuls des électriciens qualifiés doivent effectuer des travaux électriques. Ne tentez pas de travailler sur le circuit d'alimentation électrique du lave-vaisselle avant d'être certain que le circuit est hors tension.
- ▶ Pour éviter toute blessure ou tout dommage matériel, faites attention lors de l'installation ou du retrait du lave-vaisselle afin de réduire la probabilité d'endommager le cordon d'alimentation.

AVERTISSEMENT

Éviter les risques d'incendie

- ▶ Assurez-vous que les travaux électriques sont correctement effectués et contrôlés par des électriciens qualifiés.

- ▶ Assurez-vous qu'il n'y a pas de connexions électriques lâches. Assurez-vous que toutes les connexions électriques sont correctement effectuées. Des connexions électriques lâches et mal installées peuvent entraîner une surchauffe!

Prises murales

- ▶ Utilisez uniquement le câble d'alimentation fourni pour brancher l'appareil dans une prise murale.
- ▶ N'attachez PAS de rallonge, un autre type de câble modifié ou un adaptateur avec cet appareil.
- ▶ ÉVITEZ de fendre ou de trancher le câble d'alimentation.
- ▶ ÉVITEZ de modifier le câble d'alimentation d'une façon quelconque.

Connexions permanentes de fils (en plus des avertissements ci-dessus)

- ▶ Utilisez uniquement le cordon d'alimentation de la boîte de jonction, vendu comme la trousse d'accessoires #SMZPCJB1UC.
- ▶ Lisez attentivement les instructions d'installation du bornier.
- ▶ Ne retirez, ne modifiez et ne contournez PAS le bornier.

1.5 Mises en garde conformément à la proposition 65 de l'État de Californie

Ce produit pourrait contenir un produit chimique reconnu par l'État de la Californie comme cancérigène ou ayant des effets nocifs sur la reproduction. Par conséquent, vous pourriez devoir apposer l'étiquette suivante sur l'emballage du produit comme requis par la Californie :

AVERTISSEMENT ISSUE DE LA PROPOSITION 65 DE L'ÉTAT DE LA CALIFORNIE :



AVERTISSEMENT

Cancer et dommages à la reproduction -
www.P65Warnings.ca.gov

2 Avant de commencer

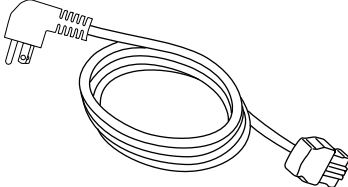

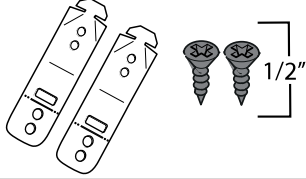
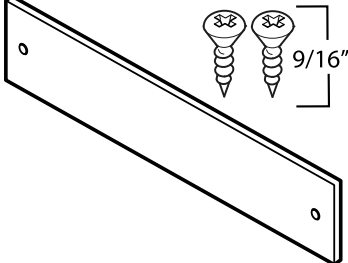
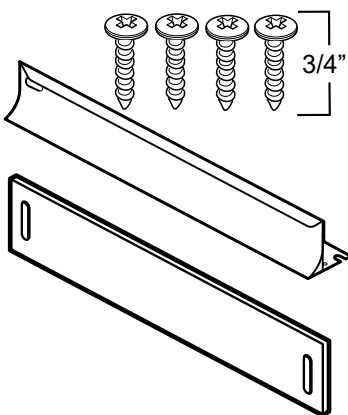
Lisez ces instructions avant de commencer l'installation de votre appareil.

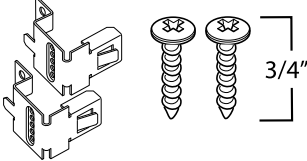
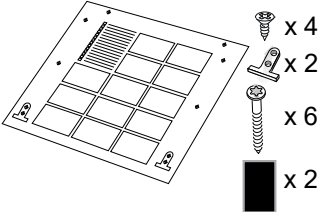
2.1 Inspecter le lave-vaisselle

Après avoir déballé le lave-vaisselle et avant de l'installer, inspectez-le minutieusement à la recherche d'éventuelles marchandises ou de dommages esthétiques. Signalez immédiatement tout dommage. Les défauts esthétiques doivent être signalés dans les 30 jours suivant l'installation. REMARQUE : Ne jetez pas les sacs ou les articles qui se trouvent dans l'emballage d'origine avant d'avoir terminé l'installation.

2.2 Pièces incluses

Après avoir déballé toutes les pièces, assurez-vous que toutes les pièces sont présentes et n'ont pas été endommagées durant le transport.

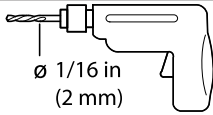



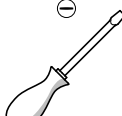

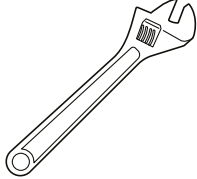
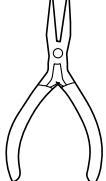
	Cordon d'alimentation
	Pince à capot
	Équerres de fixation Vis à bois de l'équerre de montage pour la fixation à l'armoire
	Plinthe *selon votre modèle Vis de plinthe
	Plinthe intérieure en plastique et plinthe fendue *selon votre modèle Vis de plinthe

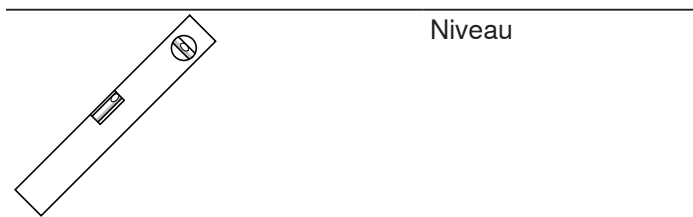
	Équerres de plinthe Vis d'équerres de plinthe
	Trousse de panneaux entièrement intégrée et instructions *selon votre modèle

2.3 Outils et pièces nécessaires

Rassemblez les outils et pièces supplémentaires suivants avant de commencer l'installation de votre appareil.

Outils

	Perceuse électrique
	Scie-cloche
	Ruban à mesurer
	Tournevis cruciforme
	Tournevis plat
	Tournevis à tête étoilée T-20
	Clé à molette x 2
	Pincettes



Niveau

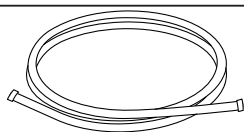


Papier abrasif

Pièces

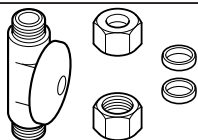


Le raccord coudé avec filetage femelle 3/4 po pour tuyau à une extrémité s'adapte à votre ligne d'alimentation en eau à l'autre extrémité.



Tuyau d'arrivée d'eau - tube en cuivre de 3/8 po de diamètre extérieur minimum ou conduite d'alimentation du lave-vaisselle à tresse métallique.

* Le coude et le tuyau d'arrivée d'eau se trouvent dans la trousse de fournitures du lave-vaisselle SMZSH1ABUC.



Vanne d'arrêt et raccords appropriés pour la ligne d'alimentation en eau chaude.

2.4 Liste de contrôle avant l'installation

Assurez-vous que les conditions suivantes sont remplies lors de la planification de l'installation de votre appareil.

⚠ AVERTISSEMENT

Éviter les risques d'échaudage ou de choc électrique

- ▶ Assurez-vous que l'alimentation en eau et l'alimentation électrique sont fermées avant l'installation ou l'entretien.
- ▶ Ne laissez pas les lignes électriques et d'alimentation se toucher.
- Choisissez un emplacement aussi proche que possible de l'évier pour faciliter l'accès aux conduites d'alimentation en eau et d'évacuation.
- Assurez-vous que l'appareil est installé suffisamment près de l'évier de sorte que la longueur du tuyau d'évacuation ne dépasse pas 92 po (2337 mm) et qu'une partie du tuyau d'évacuation soit surélevée d'au moins 33 po par rapport au niveau du sol.
- Assurez-vous que l'ouverture dans l'armoire est suffisamment grande pour faire passer le câble électrique, la conduite d'eau et le tuyau d'évacuation, et

si ce n'est pas le cas, pratiquez une nouvelle ouverture. Voir

→ "Préparation avant l'installation", Page 22

- Si l'ouverture est en bois, veillez à ce qu'elle soit bien poncée. Si elle est en métal, assurez-vous qu'elle est recouverte d'un joint de protection.
- Assurez-vous que votre chauffe-eau est réglé à 49° C (120° F) et que la pression de l'eau est comprise entre 15 et 145 psi (1 à 10 bars)
- Déterminez la méthode de montage en fonction du modèle de lave-vaisselle et du type de comptoir. Voir → "Équerres de fixation", Page 24.
- Utilisez uniquement le matériel fourni pour l'installation. Si vous remplacez un lave-vaisselle, éliminez les anciens tuyaux et autres équipements de manière appropriée.
- Pour éviter de rayer le sol, préparez une protection pour le sol lorsque le lave-vaisselle sera glissé dans l'armoire.

2.5 Exigences électriques

Assurez-vous que les exigences électriques suivantes sont respectées.

Caractéristiques électriques du lave-vaisselle

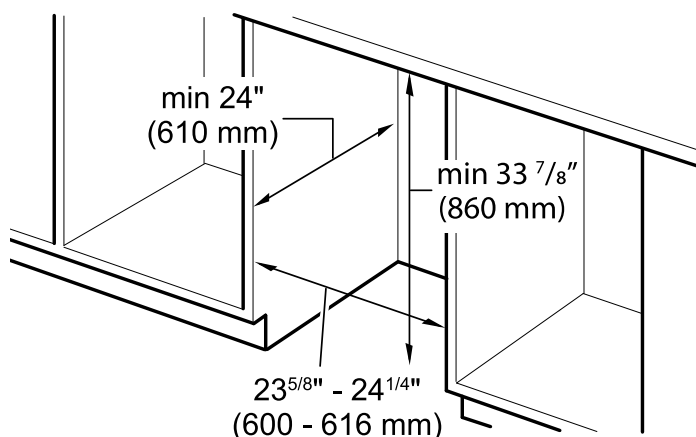
Volts	120
Hertz	60
Ampères	12
Watts	1 440 (max)

Alimentation électrique

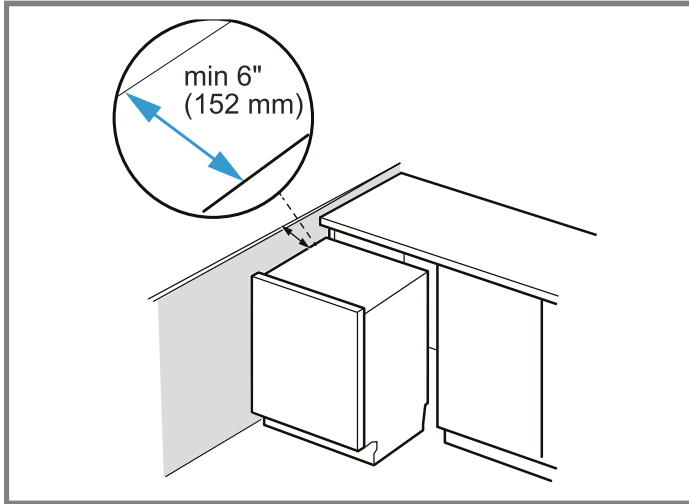
Le client a la responsabilité de s'assurer que l'installation électrique du lave-vaisselle est conforme à tous les codes et ordonnances électriques nationaux et municipaux. Le lave-vaisselle est conçu pour une alimentation électrique de 120 V, 60 Hz, CA, branchée à un circuit électrique dédié au lave-vaisselle, correctement mis à la terre, avec un fusible ou un disjoncteur de 15 ou 20 ampères.

2.6 Exigences concernant les armoires

Assurez-vous que l'espace de l'armoire pour l'installation correspond aux dimensions requises.



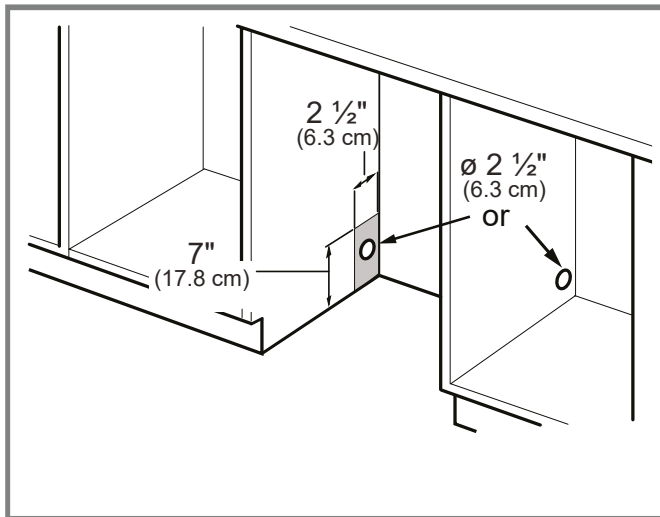
Si le lave-vaisselle doit être installé dans un coin, prévoyez un dégagement suffisant pour ouvrir la porte comme indiqué.



3 Préparation avant l'installation

Après avoir trouvé l'emplacement approprié pour votre lave-vaisselle, créez une ouverture pour permettre le passage de l'eau, de l'évacuation et des lignes électriques du côté approprié.

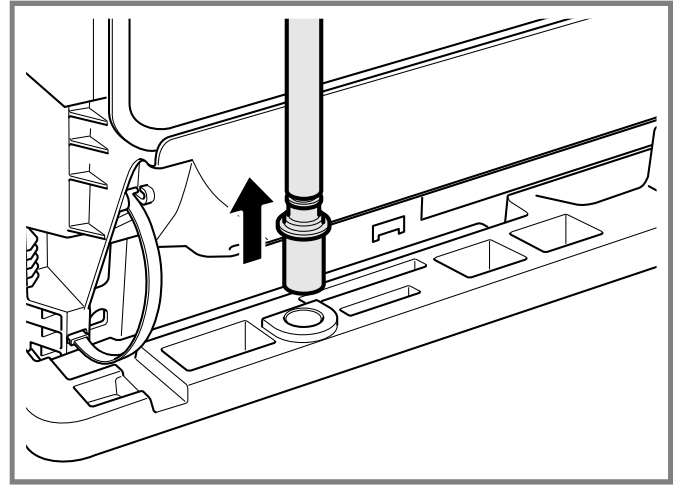
1. Découpez un trou dans la zone de 7 x 2,5 po indiquée.



Si l'ouverture est pratiquée à travers le bois, sablez-la avec du papier abrasif.

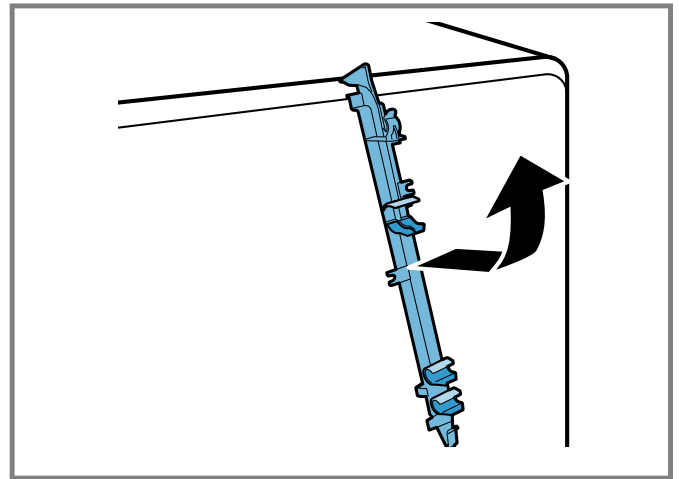
Si l'ouverture est pratiquée à travers du métal, utilisez la trousse de protection des bords avec clips pour cordon d'alimentation SMZEPCC1UC.

2. Tirez le tuyau d'évacuation hors de la base d'emballage comme indiqué.



3. Réservez la plinthe pour une utilisation ultérieure.

4. Retirez le collier de serrage du tuyau à l'arrière du lave-vaisselle.



Il pourra être utilisé ultérieurement pour maintenir le tuyau d'évacuation à l'intérieur de votre armoire.



4 Procédure d'installation

Suivez les instructions suivantes pour installer le lave-vaisselle.

4.1 Fixer le flexible d'arrivée d'eau

AVIS :

Filtre d'arrivée d'eau

- ▶ Ne retirez pas le filtre de l'intérieur de la vanne d'arrivée d'eau lors du raccordement de l'alimentation en eau. Il s'agit d'un filtre à débris, et non d'un bouchon, et doit être en place pour que l'appareil fonctionne.

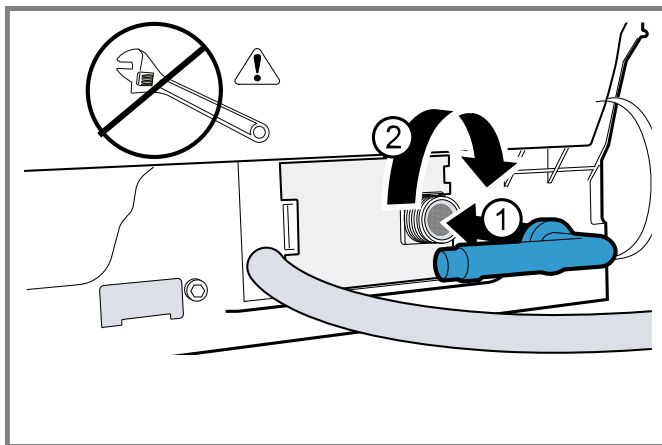
Évitez de déformer les filetages

- ▶ La déformation des filetages peut créer des fuites.

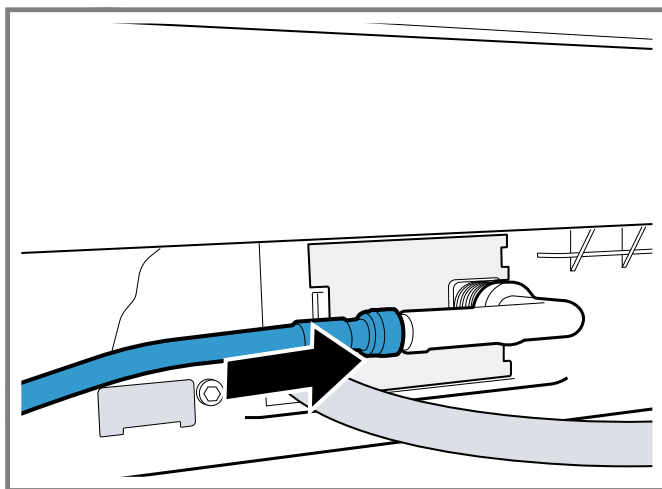
Ruban de téflon

- ▶ N'utilisez pas de ruban de téflon; cela pourrait créer des fuites et endommager le plancher ou les armoires.

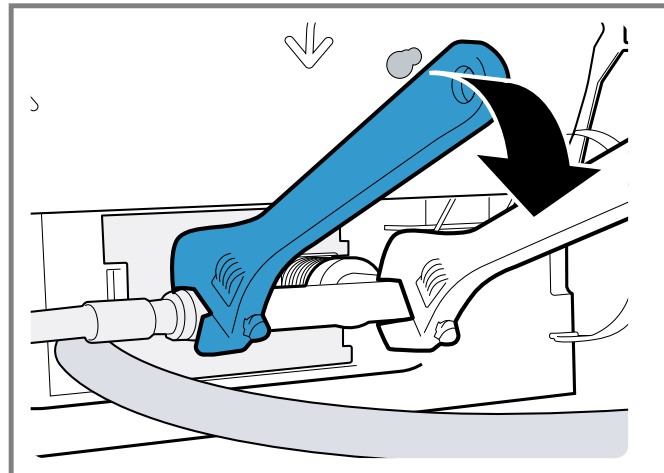
1. Fixez le raccord coudé au robinet d'arrivée d'eau, l'extrémité ouverte étant orientée vers la direction de l'évier, soit vers la gauche, soit vers la droite. ①. Serrez manuellement, mais pas excessivement ②.



2. Reliez la conduite d'eau chaude au coude.



3. Utilisez deux clés pour serrer, en utilisant une pour stabiliser et éviter de mettre sous tension la vanne d'arrivée d'eau.



4.2 Contrôle visuel des fuites

1. Raccordez temporairement l'alimentation en eau sous l'évier en passant par l'avant du meuble de l'évier. Ne mettez pas l'appareil sous tension et ne poussez pas le lave-vaisselle dans la niche.
2. Ouvrez l'eau et vérifiez s'il y a des fuites au niveau du raccord du tuyau d'arrivée d'eau à l'arrière du lave-vaisselle.

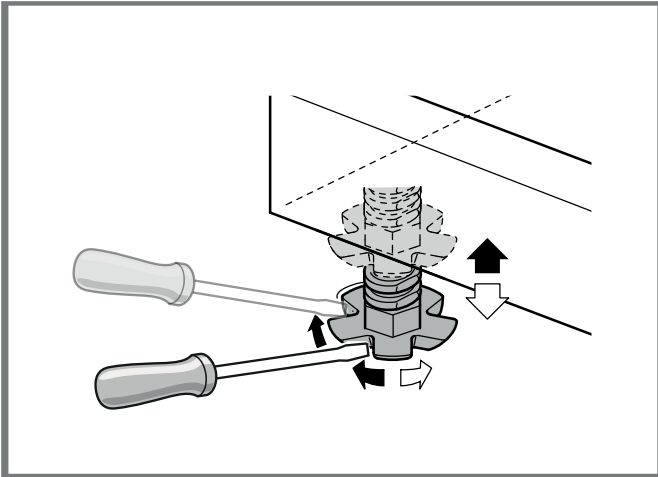
4.3 Mise à niveau préalable du lave-vaisselle

Réglez le lave-vaisselle à la bonne hauteur avant de l'insérer dans le meuble.

1. Mesurez la hauteur de l'ouverture de l'armoire.

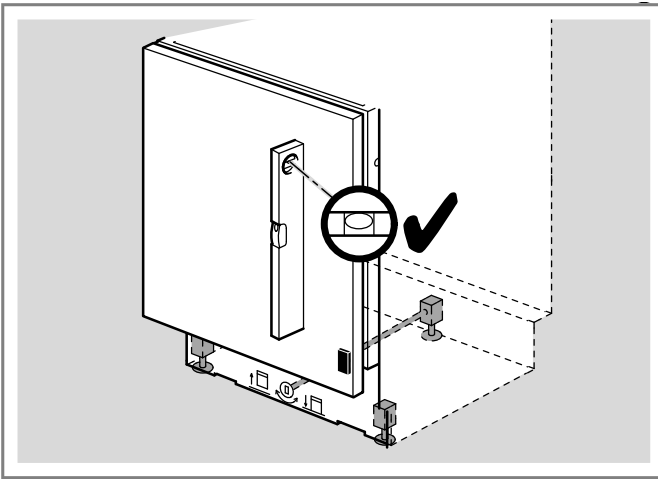
2. Relevez l'avant du lave-vaisselle jusqu'à ce qu'il soit environ 1/2 po plus bas que la hauteur de l'ouverture en tournant les pieds dans le sens des aiguilles d'une montre.

- Vous pouvez relever le pied arrière une fois que l'appareil est dans l'ouverture du meuble.



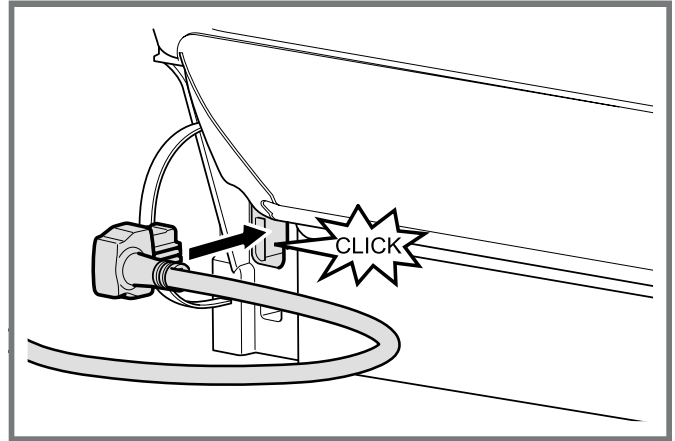
La hauteur maximale à laquelle l'unité peut être élevée est de 867,3 mm (34,5 po)

3. Utilisez un niveau sur la partie supérieure avant pour vérifier que les deux pieds sont égaux. (Le pied arrière sera ajusté une fois qu'il sera dans l'armoire)



4.4 Fixer le cordon d'alimentation

- ▶ Raccordez l'extrémité du cordon d'alimentation à l'arrière du lave-vaisselle.
- Veillez à l'enfoncer à fond jusqu'à ce qu'il soit complètement en place.



La prise pour le cordon d'alimentation doit être située dans une armoire ou un mur adjacent au meuble du lave-vaisselle.

Ne branchez pas le lave-vaisselle dans la prise murale tant que toutes les étapes de l'installation ne sont pas terminées.

Remarques

- Si vous avez besoin d'une connexion de câblage permanente, commandez la trousse d'accessoires pour boîte de jonction SMZPCJB1UC.
- Si les codes électriques locaux exigent des attaches pour fixer le fil du cordon d'alimentation au lave-vaisselle, utilisez la trousse d'accessoires SMZEPCC1UC.

4.5 Équerres de fixation

Avant d'installer les équerres de fixation fournies, décidez de la méthode de fixation du lave-vaisselle dans son enceinte : par le haut (bois ou matériau poreux) ou latérale (pierre ou surface solide). Une fois les équerres de fixation installées sur le lave-vaisselle, les retirer devient difficile et endommagerait tant les supports de montage et le lave-vaisselle. Si vous avez un panneau entièrement intégré, ne fixez pas les équerres de fixation avant d'avoir fixé le panneau à la porte.

⚠ AVERTISSEMENT

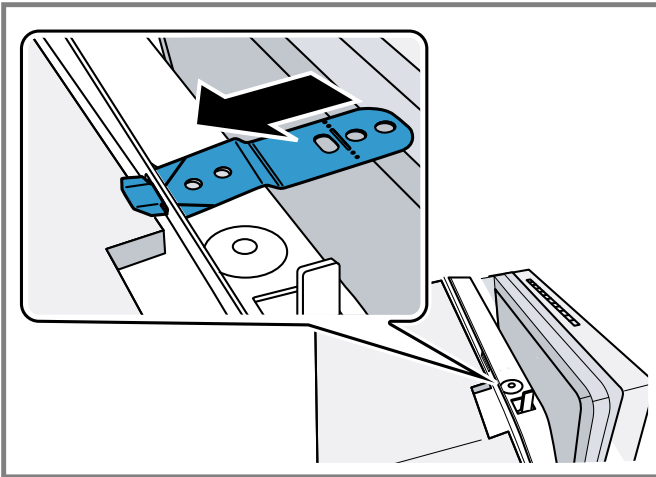
Éviter les risques de basculement

- ▶ N'utilisez pas le lave-vaisselle avant qu'il ne soit complètement installé. Lorsque vous ouvrez la porte d'un lave-vaisselle non installé, ouvrez-la avec précaution tout en soutenant l'arrière de l'appareil. Le non-respect de cet avertissement peut entraîner des blessures graves.

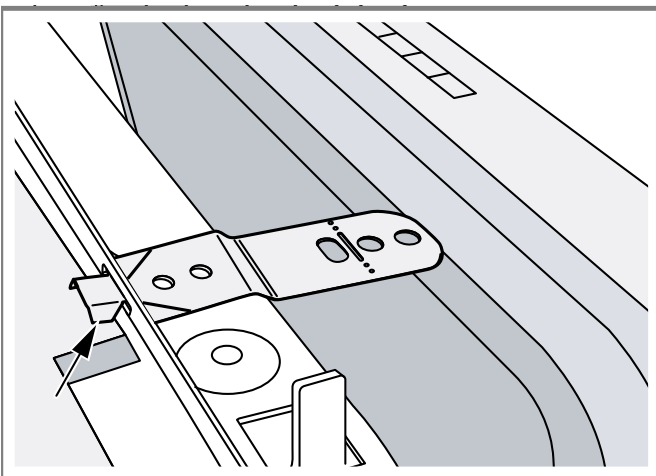
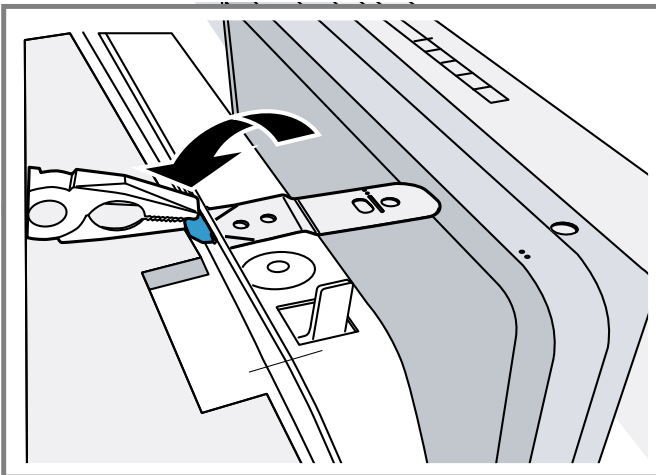
Montage par le haut

Le montage par le haut est utilisé pour les comptoirs en bois ou autres matériaux qui peuvent être facilement percés.

1. Orientez les supports de montage et insérez-les dans le bon emplacement.



2. À l'aide d'une pince, pliez les brides latérales vers le bas. Ne fixez rien au meuble à ce stade-ci.



Montage latéral

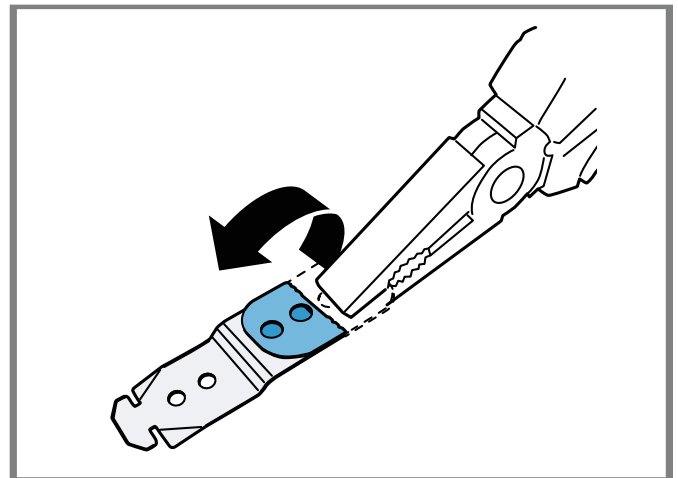
Le montage latéral est utilisé pour les comptoirs en marbre, granit ou autre matériau de surface solide qui ne peut être facilement percé.

⚠ MISE EN GARDE

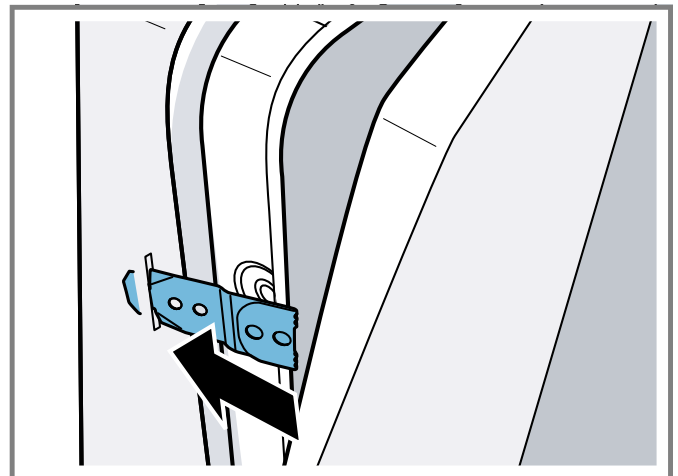
Évitez les bords tranchants

- ▶ Ne cassez pas les équerres de fixation, car cela risquerait de former des arêtes vives.

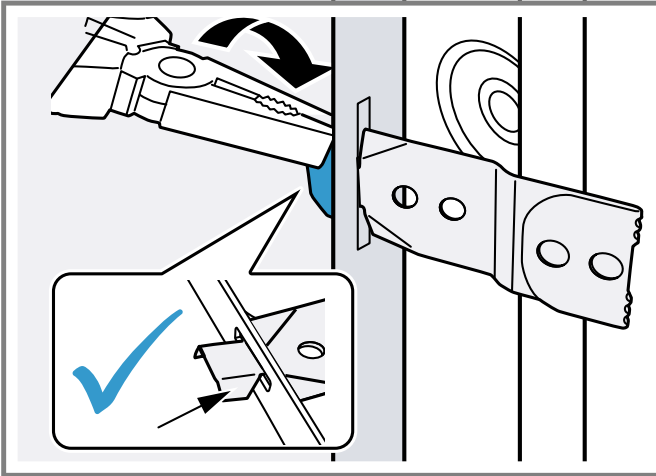
1. Saisissez l'équerre de fixation avec une pince et repliez le support sur lui-même au niveau de la perforation.



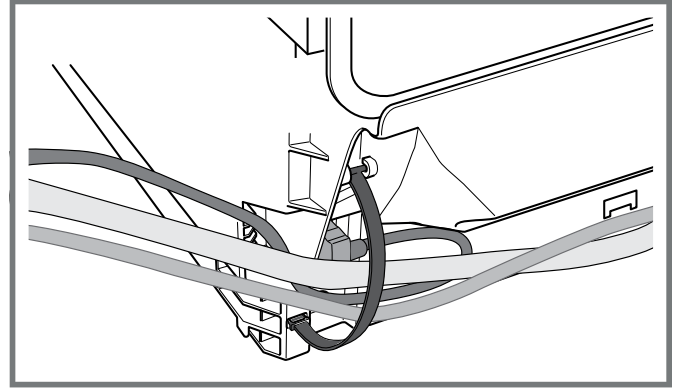
2. Glissez la bride de l'équerre dans les fentes latérales du cadre.



3. À l'aide d'une pince, pliez les brides latérales. Ne rattachiez rien à l'armoire à ce stade-ci.



2. Placez le tuyau d'évacuation, le tuyau d'arrivée d'eau et le cordon d'alimentation de manière à ce qu'ils passent tous dans la sangle du côté approprié.



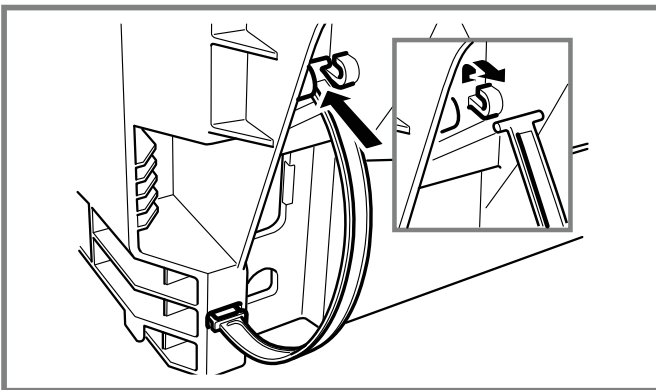
3. Remettez la sangle en place pour fixer les tuyaux et le cordon.



4.6 Préparer les tuyaux et le cordon d'alimentation

Le tuyau d'évacuation du lave-vaisselle est configuré pour un évier situé sur le côté gauche de l'emplacement d'installation. Si votre évier se trouve sur le côté droit, vous devrez repositionner le tuyau d'évacuation derrière le lave-vaisselle avant de l'installer.

1. Si nécessaire, décrochez la sangle et repositionnez le tuyau d'évacuation selon vos besoins (si votre évier est à gauche, laissez le tuyau tel quel).



4.7 Installer un lave-vaisselle dans un meuble

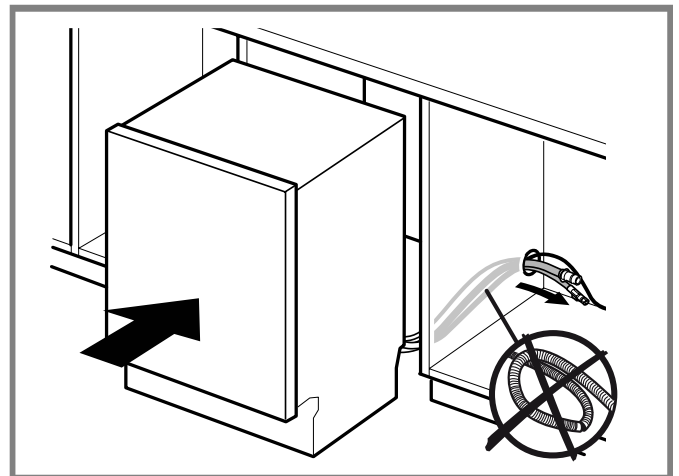
Pour éviter de rayer le sol, utilisez des protections de sol et faites attention lorsque vous faites glisser le lave-vaisselle dans le meuble.

AVIS :

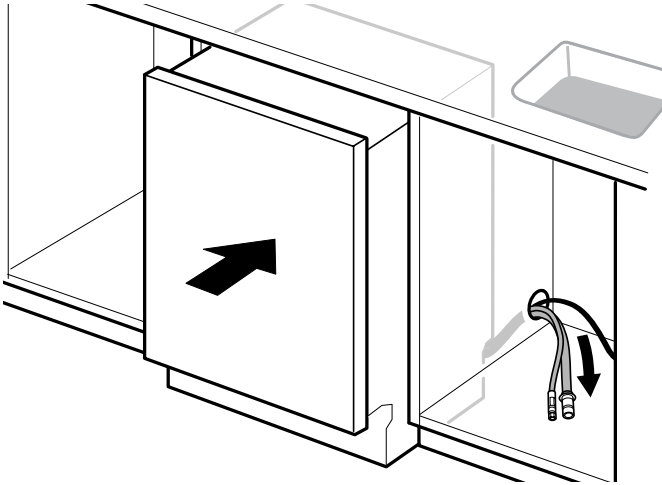
Évitez les plis du tuyau

- Faites attention en poussant le lave-vaisselle. Les tuyaux peuvent se plier, se tordre ou se casser, ce qui peut provoquer une obstruction ou une fuite.

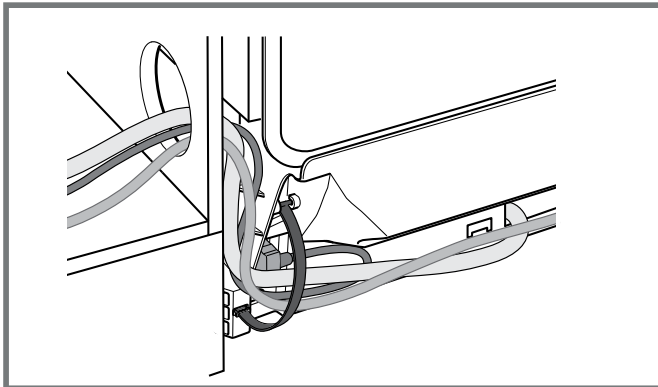
1. Faites d'abord passer le cordon d'alimentation par le trou inférieur du meuble, puis ajoutez les tuyaux.
2. Avec les deux mains, poussez le lave-vaisselle à 1/3 de sa longueur dans l'armoire et ARRÊTEZ.



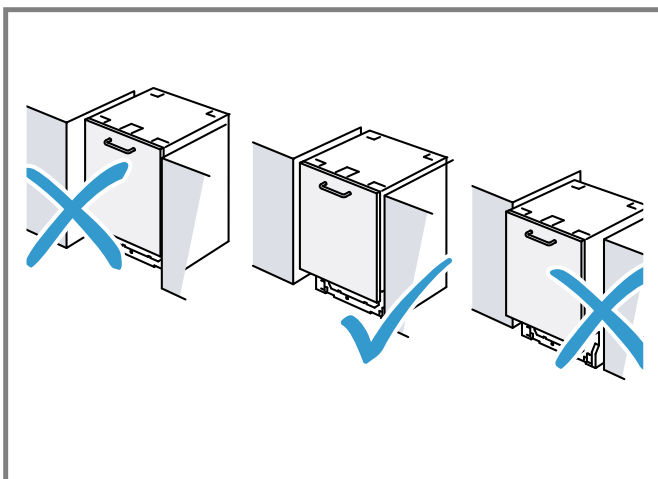
3. Tirez les tuyaux et le cordon d'alimentation à travers le trou dans l'armoire comme indiqué.
4. Poussez l'appareil à 2/3 de sa longueur dans l'ouverture et ARRÊTEZ.



5. Passez la main dans le meuble adjacente et sortez complètement les tuyaux et l'excédent de cordon d'alimentation afin qu'ils ne soient pas pliés.



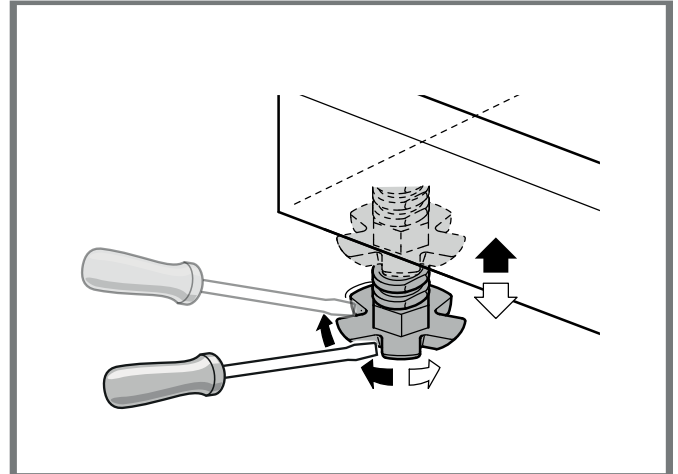
6. Enfin, poussez l'unité jusqu'à ce qu'elle affleure la porte du meuble.



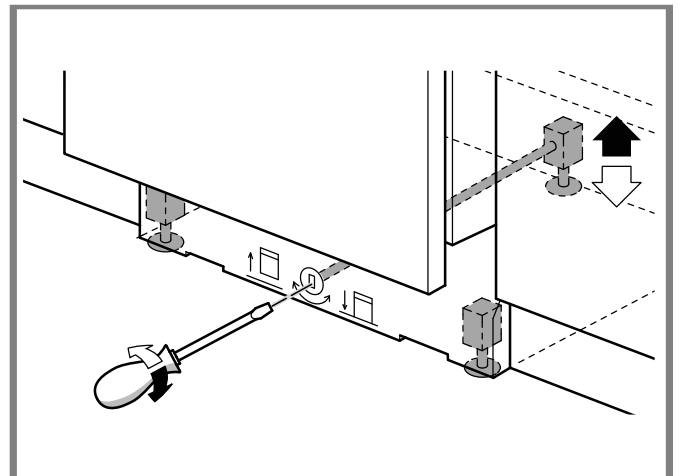
4.8 Mise à niveau du lave-vaisselle

Maintenant que le lave-vaisselle est dans le meuble, vérifiez à nouveau les niveaux.

1. Nivelez d'un côté à l'autre en tournant les pieds dans le sens des aiguilles d'une montre pour relever l'avant ou dans le sens inverse pour l'abaisser.

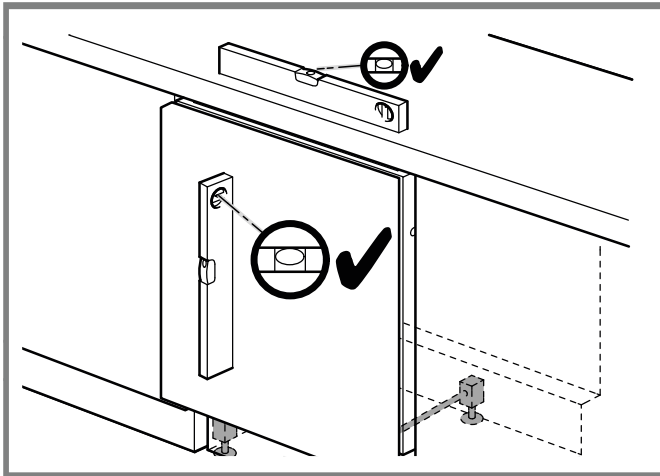


2. Mettez l'avant et l'arrière à niveau en tournant la vis centrale dans le sens des aiguilles d'une montre pour relever l'arrière ou dans le sens inverse pour l'abaisser.

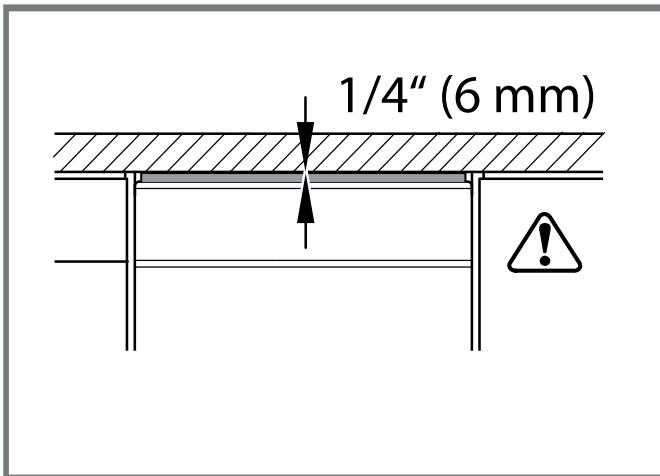


3. Utilisez un niveau pour vérifier que votre lave-vaisselle est de niveau.

- Vérifiez que le comptoir est de niveau et ajustez le lave-vaisselle au comptoir.



4. Assurez-vous que le haut de la porte n'est pas à moins de 1/4 po (6 mm) du dessous du comptoir.

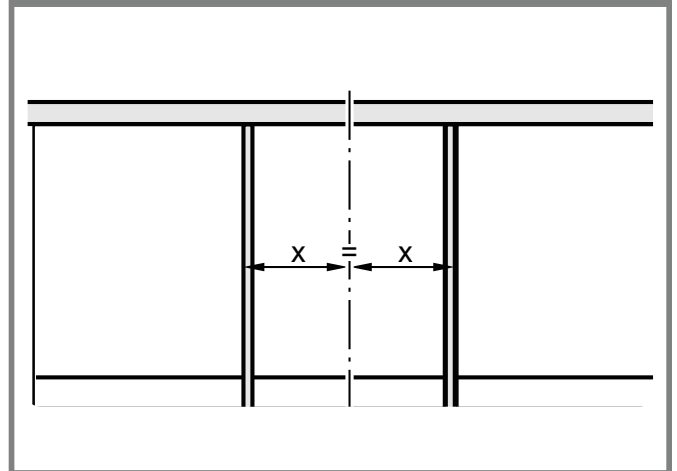


4.9 Assemblage de la porte extérieure¹

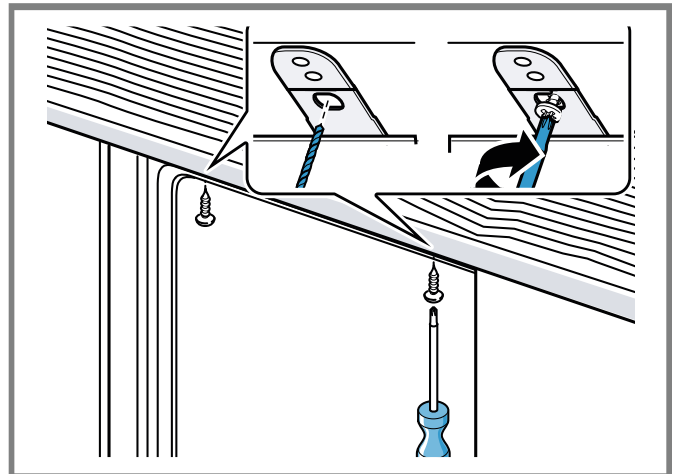
- Suivez les instructions pour l'assemblage de la porte extérieure sur le modèle entièrement intégré.

4.10 Fixer le lave-vaisselle

1. Centrez le lave-vaisselle dans l'ouverture.

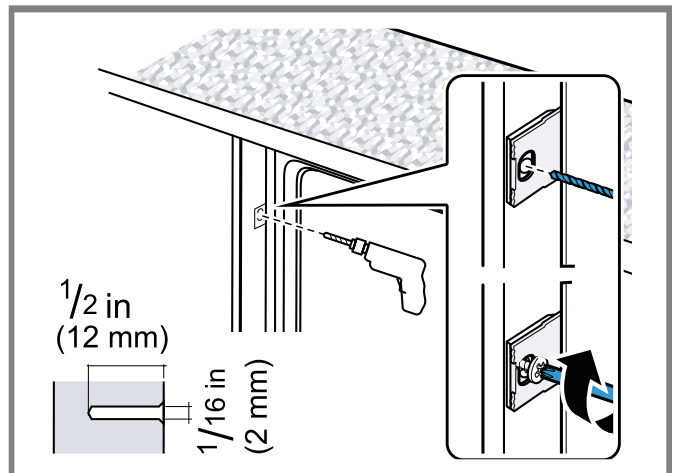


2. Si vous utilisez le montage par le haut, vissez les vis des équerres de fixation à travers les trous dans ces dernières. Choisissez le trou le mieux adapté à votre installation.



Si le lave-vaisselle a été livré avec une barrière de protection, vissez à travers la barrière.

3. Pour le montage latéral, soulevez le rabat de la bande déco et insérez les vis en dessous.

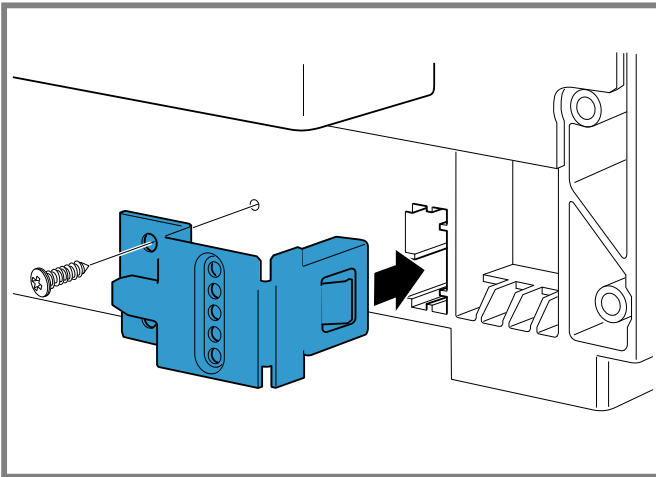


¹ selon l'équipement de l'appareil

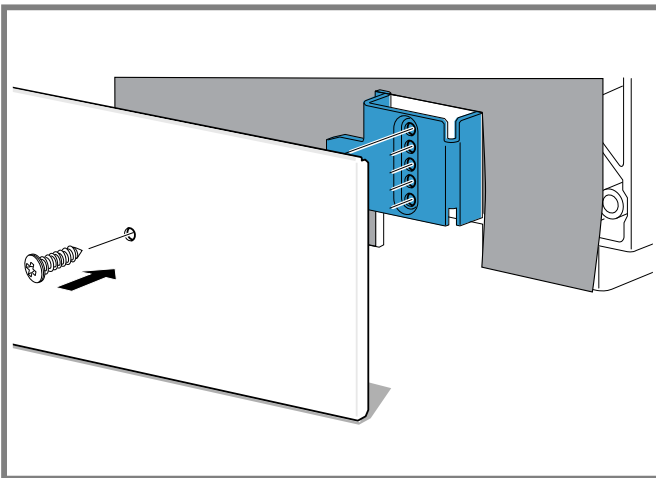


4.11 Fixer la plinthe standard

1. Insérez les équerres de fixation de la plinthe dans les ouvertures des deux côtés en appuyant fortement jusqu'à ce qu'ils soient complètement en place.
2. Utilisez des vis de 3/4" (19mm) vis des équerres de fixation de la plinthe pour fixer les équerres métalliques à la base



3. Faites glisser en position la plinthe en vous assurant qu'elle est à ras avec le plancher.
4. Utilisez des vis de 9/16" (14mm) vis de la plinthe pour monter la plinthe par le trou avec lequel elle est alignée sur les équerres de métal.



Pour ajuster la plinthe en hauteur, il suffit de changer le trou par lequel elle est vissée dans l'équerre.

5 Raccordement du lave-vaisselle

Suivez les instructions suivantes pour raccorder le lave-vaisselle.

5.1 Installation de l'arrivée d'eau

Le chauffe-eau doit être réglé pour fournir de l'eau à environ 120 °F (49 °C) [max. 140 °F/ (60 °C)] au lave-vaisselle. Une eau trop chaude peut nuire à l'efficacité de certains détergents. Plus l'eau est froide, moins le lave-vaisselle est efficace. La pression d'alimentation en eau chaude doit être comprise entre 7,25 et 145 psi (0,5 et 10 bars).

⚠ AVERTISSEMENT

Risque d'échaudage

- ▶ N'effectuez pas de travaux sur une conduite d'eau chaude sous pression. Des blessures graves pourraient en résulter. Confiez les travaux de plomberie exclusivement à un plombier qualifié. Ne tentez pas de travailler sur la plomberie d'alimentation en eau chaude du lave-vaisselle avant d'être certain que l'alimentation en eau chaude est coupée.

AVIS :

Soudure des conduites de plomberie

- ▶ Les températures requises pour la soudure et le ressuage endommageront le lave-vaisselle. Si des conduites de plomberie doivent être soudées ou ressuées, maintenez la source de chaleur à une distance d'au moins 6 pouces (152,4 mm) du lave-vaisselle.

Codes de plomberie

- ▶ Vérifiez les codes de plomberie locaux pour les procédures et accessoires de plomberie approuvés. Toute la plomberie doit être effectuée conformément aux codes nationaux et locaux.

Remarque

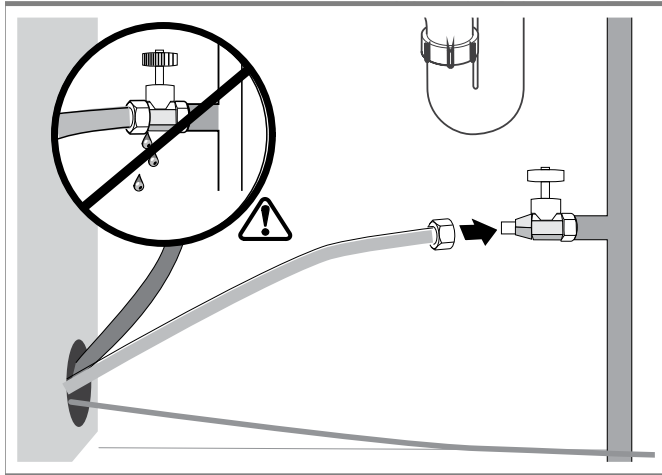
Remarques importantes pour le raccordement à l'eau :

- Si vous utilisez un joint à souder au lieu d'un raccord à compression, veillez à terminer tous les raccords à souder avant de raccorder la ligne d'alimentation en eau au lave-vaisselle.
- Utilisez une ligne d'alimentation en eau approuvée pour le lave-vaisselle avec les raccords appropriés pour cette connexion.
- Si vous utilisez des tuyaux en cuivre ou tout autre matériau non décrit dans ce manuel pour l'alimentation en eau, confiez l'installation à un plombier agréé.
- Utilisez toujours des joints appropriés lorsque vous effectuez des raccordements de plomberie.

1. Rincez la conduite d'eau entrante pendant environ 1 minute pour éliminer tout corps étranger.

2. Raccordez la conduite d'alimentation en eau du lave-vaisselle à la vanne d'arrêt d'eau. Utilisez l'adaptateur éventuellement inclus avec votre modèle. Serrez manuellement, mais pas excessivement.

- Installez un robinet d'arrêt s'il n'y en a pas déjà un sur la ligne d'alimentation.
- Assurez-vous qu'il n'y a pas de coudes ou de plis aigus dans la conduite d'eau qui pourraient entraver l'écoulement de l'eau.



3. Une fois tous les raccordements effectués, ouvrez l'eau chaude et contrôlez la présence de fuites.

5.2 Installation du raccord d'évacuation

Le tuyau d'évacuation doit être installé avec une boucle élevée ou une fente d'aération.

AVIS :

Installation du tuyau d'évacuation

- ▶ Le tuyau d'évacuation du lave-vaisselle doit être installé avec une partie de celui-ci à au moins 33 po (84 cm) du sol, sinon le lave-vaisselle risque de ne pas s'écouler correctement.

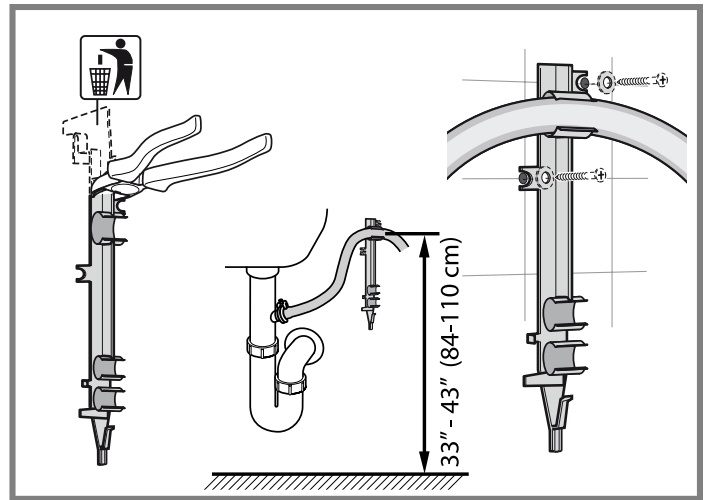
Retirer la fiche du broyeur à ordures

- ▶ Si le tuyau d'évacuation du lave-vaisselle doit être raccordé à un broyeur d'ordures, retirez d'abord le bouchon du raccord du broyeur.

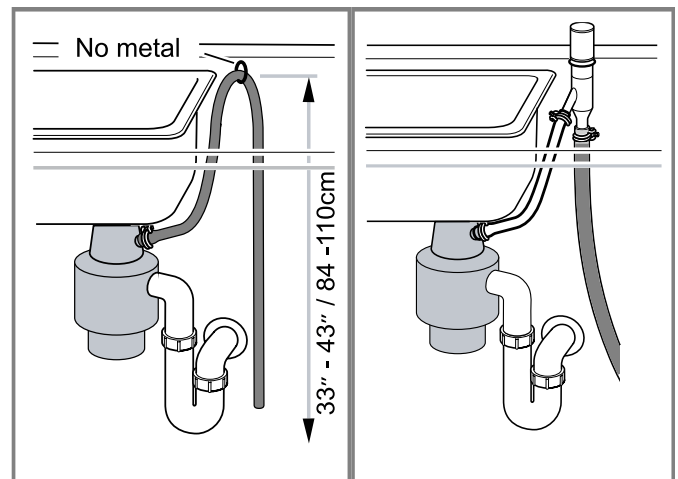
Remarque

Remarques importantes pour les raccords d'évacuation :

- Si la réglementation locale exige une fente d'aération, installez-la conformément aux instructions du fabricant.
- La longueur du tuyau d'évacuation peut être allongée si nécessaire. Utilisez la trousse #SGZ1010UC. La longueur maximale du tuyau d'évacuation, y compris le tuyau menant à la fente d'aération, est de 150 po (380 cm).
- Vous pouvez fixer le collier de serrage à l'intérieur de l'armoire adjacente pour suspendre le tuyau d'évacuation (les vis ne sont pas fournies) au lieu d'utiliser un lien non métallique comme indiqué sur les illustrations suivantes. La hauteur du tuyau d'évacuation ne doit pas dépasser 43 po.

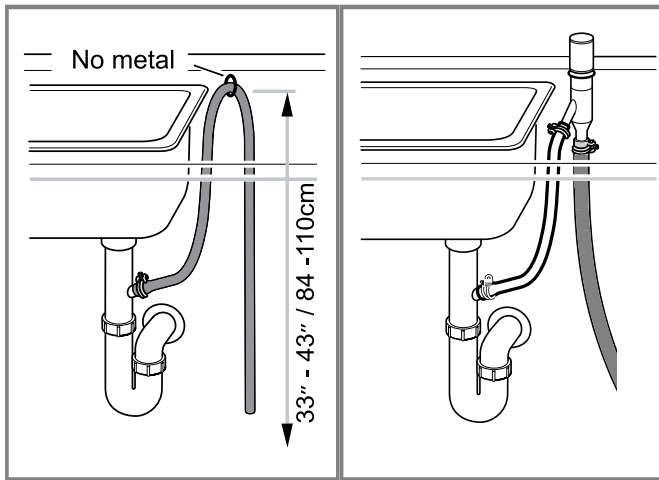


1. Placez un collier de serrage à l'extrémité du tuyau d'évacuation AVANT de le raccorder à la plomberie.
2. Si vous avez un broyeur d'ordures, connectez le tuyau d'évacuation au broyeur d'ordures avec une boucle élevée ou une fente d'aération.

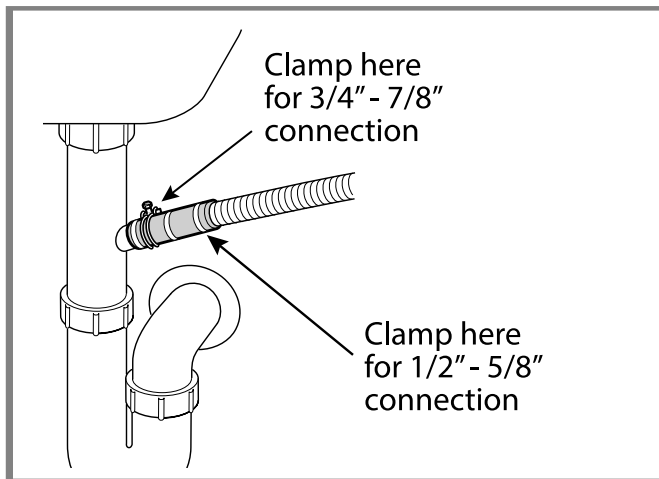


3. Si vous n'avez pas de broyeur d'ordures, connectez le tuyau d'évacuation au raccordement d'évacuation avec une boucle élevée ou une fente d'aération.





4. Serrez le collier de serrage autour de la plomberie domestique.



5.3 Connexion électrique et cycle d'essai

1. Pour les raccordements à une prise murale, branchez le lave-vaisselle dans la prise.
2. Mettez l'alimentation électrique sous tension.
3. Assurez-vous que l'alimentation en eau est en marche.
4. Mettez le lave-vaisselle en marche et lancez un cycle d'essai pendant 15 minutes.
5. Vérifiez que le cycle fonctionne et qu'il n'y a pas de fuites pendant qu'il est en marche.
6. Arrêtez le cycle et éteignez le lave-vaisselle.
7. Votre installation est terminée.

6 Service à la clientèle

Lors de toute réparation réalisée dans le cadre de la garantie, nous nous assurons que votre appareil est réparé avec des pièces de rechange d'origine par un technicien dûment formé et agréé. Nous utilisons exclusivement des pièces de rechange d'origine lors des réparations.

Pour plus d'informations sur la durée et les conditions de la garantie dans votre pays, consultez nos modalités de garantie auprès de votre détaillant ou sur notre site Web.

Si vous contactez le service à la clientèle, indiquez le numéro de modèle (E-Nr.) et le numéro de fabrication (FD) de l'appareil.

USA:

1-800-735-4328

www.thermador.com/support

www.thermador.com/us/accessories

CA:

1-800-735-4328

www.thermador.ca

www.thermador.ca/fr/soutien/filtres-nettoyants-accessoires

Vous trouverez également de l'aide pour contacter

Home Connect® à l'adresse suivante :

www.home-connect.com/us/en/help-support/set-up

6.1 Numéro de modèle (E-Nr.) et numéro de fabrication (FD)

Le numéro de modèle (E-Nr.) et le numéro de fabrication (FD) sont indiqués sur la plaque signalétique de l'appareil. Vous trouverez la plaque signalétique à l'intérieur de la porte de l'appareil.

Pour retrouver rapidement les données de votre appareil et le numéro de téléphone du service à la clientèle, n'hésitez pas à les recopier ailleurs.

Tabla de contenidos

1 INSTRUCCIONES DE SEGURIDAD

IMPORTANTES.....	33
1.1 Definiciones de seguridad	33
1.2 Información general	33
1.3 Instalación segura	33
1.4 Seguridad eléctrica	34
1.5 Advertencias en virtud de la Proposición 65 del estado de California	34

2 Antes de empezar

2 Antes de empezar	35
2.1 Revisar el lavavajillas	35
2.2 Componentes incluidos	35
2.3 Herramientas y componentes necesarios	35
2.4 Lista de comprobación de preinstalación	36
2.5 Requisitos eléctricos	36
2.6 Requisitos del gabinete	37

3 Preparación para la instalación

4 Procedimiento de instalación

4 Procedimiento de instalación	38
4.1 Acoplar la manguera de entrada de agua	38
4.2 Comprobación visual de fugas	39
4.3 Nivelar provisionalmente el lavavajillas	39
4.4 Acoplar el cable de alimentación.....	39
4.5 Soportes de montaje	39
4.6 Preparar las mangueras y el cable de alimentación.....	41
4.7 Instalar el lavavajillas en el espacio del gabinete	42
4.8 Nivelar el lavavajillas.....	42
4.9 Montaje de la puerta exterior ¹	43
4.10 Fijar el lavavajillas.....	43
4.11 Acoplar la placa protectora del zócalo estándar	44

5 Conexión del lavavajillas.....

5 Conexión del lavavajillas.....	44
5.1 Instalar la conexión de entrada de agua.....	44
5.2 Instalar la conexión de desagüe.....	45
5.3 Conexión eléctrica y ciclo de prueba.....	46

6 Servicio de atención al cliente

6 Servicio de atención al cliente	46
6.1 Número de modelo (E-Nr.) y número de fabricación (FD)	46

¹ Según el equipamiento del aparato



INSTRUCCIONES DE SEGURIDAD IMPORTANTES

LEA Y CONSERVE ESTAS INSTRUCCIONES

Leer atentamente todas las instrucciones antes de proceder con el uso del aparato. Para reducir el riesgo de incendio, descarga eléctrica y lesiones personales al utilizar el aparato, se deben tomar precauciones de seguridad básicas, incluidas las que se detallan en las siguientes instrucciones de seguridad.

1.1 Definiciones de seguridad

Aquí puede encontrar explicaciones de las palabras de señal de seguridad utilizadas en este manual.

ADVERTENCIA

Esto indica que pueden producirse la muerte o heridas graves si no se cumple con esta advertencia.

PRECAUCIÓN

Esto indica que pueden producirse heridas leves o moderadas si no se cumple con esta advertencia.

AVISO:

Esto indica que pueden producirse daños en el aparato o en los bienes si no se cumple con este aviso.

Nota: Esto alerta sobre información o sugerencias importantes.

1.2 Información general

Para reducir el riesgo de incendio, descarga eléctrica o lesiones graves, cumplir lo siguiente.

- Antes de utilizar el aparato, debe haber leído y comprendido todas las indicaciones.
- Guarde toda la información suministrada para consultas posteriores o para el próximo propietario.
- El aparato no debe conectarse en caso de haber sufrido daños durante el transporte.
- Se pueden producir daños en el producto y/o lesiones graves por el uso de técnicos de servicio no calificados o piezas no originales. Todas las reparaciones deberían ser realizadas por un técnico de servicio calificado, empleando exclusivamente piezas de repuesto originales de fábrica para el equipo.
- Los lavavajillas para uso residencial con la Certificación NSF/ANSI 184 no han sido diseñados para uso en establecimientos con licencia para servir alimentos.

1.3 Instalación segura

Seguir estas instrucciones de seguridad al instalar el aparato.

- Estas instrucciones de instalación están diseñadas para su uso solo por parte de instaladores calificados. El lavavajillas debe ser instalado por un técnico o un instalador cualificado.
- La manguera de desagüe del lavavajillas debe instalarse con una parte de ella al menos a 33" (84 cm) del suelo; de lo contrario, es posible que el lavavajillas no desagüe correctamente.
- No utilizar el lavavajillas en exteriores. Solo está diseñado para uso residencial en interiores y no debería utilizarse en establecimientos comerciales de alimentación.
- Este lavavajillas está diseñado para estar rodeado de gabinetes arriba y a ambos lados.
- **NUEVA INSTALACIÓN** - Si el lavavajillas es una nueva instalación, asegurarse de que todas las conexiones estén bien hechas antes de llevar el lavavajillas al lugar donde se va a instalar.
- **SUSTITUCIÓN** - Si el lavavajillas está sustituyendo a otro lavavajillas, comprobar que las conexiones existentes del anterior lavavajillas sean compatibles con el nuevo y cambiar las piezas en caso necesario.
- Se ha comprobado que este aparato es conforme con CAN/CSA-C22.2 n.º 167/UL 749. Es responsabilidad del propietario y del instalador determinar si son aplicables otros requisitos o normas en instalaciones específicas.

ADVERTENCIA

En ciertas condiciones, es posible que se produzca gas hidrógeno en un sistema de agua caliente que no haya sido utilizado durante dos semanas o más. El gas hidrógeno es explosivo.

- ▶ Antes de usar un lavavajillas conectado a un sistema de agua caliente que haya estado inactivo durante más de dos semanas, abrir todos los grifos y permitir que el agua fluya desde cada uno de ellos durante varios minutos. De este modo, se eliminará el gas hidrógeno que se haya acumulado. Debido a que el gas es explosivo, no fume ni use una llama expuesta durante esta actividad.



INSTRUCCIONES DE SEGURIDAD IMPORTANTES

LEA Y CONSERVE ESTAS INSTRUCCIONES

1.4 Seguridad eléctrica

Seguir estas instrucciones de seguridad para evitar descargas eléctricas.

- El lavavajillas debe estar puesto a tierra correctamente antes de la operación. Este aparato debe estar conectado a un sistema permanente de cableado con toma de tierra, metálico, o debe tenderse un conductor de puesta a tierra de equipo con los conductores de circuito y conectarse al terminal de tierra del equipo o al cable del lavavajillas.
- NO usar un cable de extensión.
- NO reutilizar un cable de alimentación antiguo; utilizar solo el cable suministrado.
- Asegurarse de que el lavavajillas tenga una puesta a tierra adecuada que cumpla con la normativa local o, si no existe normativa local, con la **NORMATIVA ELÉCTRICA NACIONAL** de los Estados Unidos o la última edición de la **NORMATIVA ELÉCTRICA CANADIENSE C22.1** en Canadá, así como cualquier otra normativa local, municipal, provincial o estatal que aplique.
- Instalaciones que requieren cableado y bloque de terminales - El modelo del bloque de terminales/caja de conexiones SMZPCJB1UC no está incluido, pero puede solicitarse al servicio de atención al cliente llamando al 1-800-944-2904. Seguir las instrucciones incluidas en el kit.

ADVERTENCIA

Evitar descargas eléctricas

- ▶ No trabajar en un circuito energizado. Hacerlo podría tener como resultado lesiones graves o incluso mortales. Solo electricistas cualificados deberían realizar trabajos eléctricos. No trate de realizar ningún trabajo en el circuito de suministro eléctrico del lavavajillas hasta que esté completamente seguro de que el circuito está desenergizado.
- ▶ Para evitar posibles lesiones o daños en la propiedad, debería tenerse cuidado al instalar o retirar el lavavajillas para reducir la posibilidad de daños en el cable de alimentación.

ADVERTENCIA

Evitar riesgo de incendio

- ▶ Asegurarse de que los componentes eléctricos estén correctamente instalados y hayan sido comprobados por electricistas cualificados.

- ▶ Asegurarse de que no haya conexiones eléctricas sueltas. Asegurarse de que todas las conexiones eléctricas estén bien realizadas. ¡Las conexiones eléctricas sueltas y mal instaladas podrían provocar un sobrecalentamiento!

Conexiones de toma de corriente en pared

- ▶ Utilizar únicamente el cable de alimentación suministrado para conexiones de toma de corriente en pared.
- ▶ NO usar ningún cable de extensión o cualquier otro tipo de cable o adaptador modificado con este aparato.
- ▶ NO cortar o empalmar el cable de alimentación.
- ▶ NO modificar el cable de alimentación de ningún modo. Conexiones de cable fijas (además de las advertencias ya mencionadas):
- ▶ Usar solo el cable de alimentación para cajas de conexión que puede adquirirse como kit de accesorios #SMZPCJB1UC.
- ▶ Leer detenidamente las instrucciones de instalación del bloque de terminales.
- ▶ NO quitar, alterar o sobrepasar el bloque de terminales.

1.5 Advertencias en virtud de la Proposición 65 del estado de California

Este producto puede contener un químico que el Estado de California reconoce como potencialmente cancerígeno o causante de daños reproductivos. Por tanto, su producto debe llevar en su embalaje la siguiente etiqueta de conformidad con la legislación de California:

ADVERTENCIA EN VIRTUD DE LA PROPOSICIÓN 65 DEL ESTADO DE CALIFORNIA:

⚠ ADVERTENCIA

Cáncer y daño reproductivo - www.P65Warnings.ca.gov

2 Antes de empezar

Leer estas instrucciones antes de comenzar la instalación del aparato.

2.1 Revisar el lavavajillas

Después de desembalar el lavavajillas y antes de la instalación, revisarlo para descartar posibles daños cosméticos o producidos durante el transporte. Informar inmediatamente de cualquier daño. Los defectos cosméticos deben notificarse dentro del plazo de 30 días de instalación. **ATENCIÓN:** No desechar ninguna bolsa ni ningún objeto que venga con el embalaje original hasta haber realizado la instalación completa.

2.2 Componentes incluidos

Tras desembalar todos los componentes, verificar que no hayan sufrido ningún daño durante el transporte.

	Cable de alimentación
	Abrazadera de tornillo
	Soportes de montaje Tornillos para madera del soporte de montaje para fijar a gabinetes
	Placa protectora del zócalo *dependiendo del modelo Tornillos de la placa protectora del zócalo
	Placa protectora del zócalo interna y placa protectora del zócalo ranurada *dependiendo del modelo Tornillos de la placa protectora del zócalo

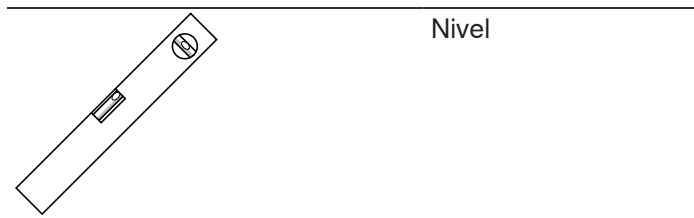
	Soportes de la placa protectora del zócalo Tornillos del soporte de la placa protectora del zócalo
	Kit de placa protectora totalmente integrado e instrucciones *dependiendo del modelo

2.3 Herramientas y componentes necesarios

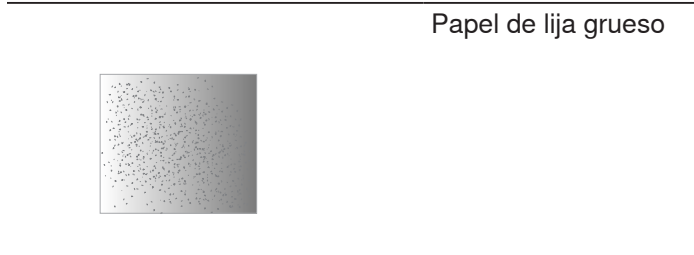
Antes de comenzar la instalación de su aparato, reúna las siguientes herramientas y componentes adicionales.

Herramientas

	Taladro eléctrico
	Sierra de corona
	Cinta métrica
	Desarmador Phillips
	Desarmador plano
	Desarmador de estrella T-20
	Llave ajustable x2
	Pinzas

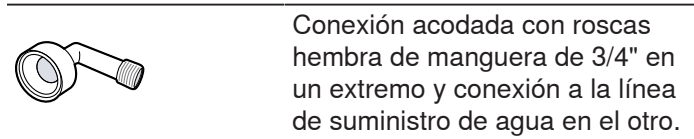


Nivel

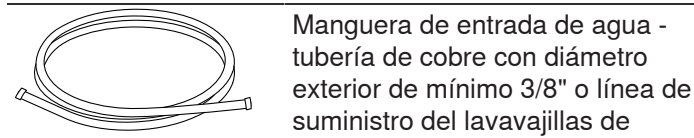


Papel de lija grueso

Componentes

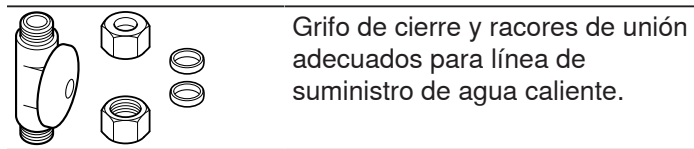


Conexión acodada con roscas hembra de manguera de 3/4" en un extremo y conexión a la línea de suministro de agua en el otro.



Manguera de entrada de agua - tubería de cobre con diámetro exterior de mínimo 3/8" o línea de suministro del lavavajillas de trenzado metálico.

* Tanto el codo como la manguera de entrada de agua pueden encontrarse en el kit de suministro del lavavajillas SMZSH1ABUC.



Grifo de cierre y racores de unión adecuados para línea de suministro de agua caliente.

2.4 Lista de comprobación de preinstalación

Asegurarse de que se cumplen los siguientes requisitos cuando se planifique la instalación del aparato.

⚠ ADVERTENCIA

Evitar escaldaduras o peligro de descarga eléctrica

- ▶ Asegurarse de que el suministro de agua y eléctrico estén apagados antes de realizar la instalación o de poner el aparato en funcionamiento.
- ▶ Evitar que las líneas eléctricas y de suministro se toquen.
- Seleccionar un lugar lo más cerca posible del fregadero para tener un fácil acceso al suministro de agua y las líneas de desagüe.
- Asegurarse de que la unidad esté instalada lo suficientemente cerca del fregadero, de forma que la longitud de la tubería de desagüe no exceda los 92" (2337 mm) y que una parte de la manguera de desagüe ascienda al menos 33" sobre el nivel del suelo.

- Comprobar que la abertura en el gabinete sea lo suficientemente grande para guiar el cable eléctrico, la línea de agua y la manguera de desagüe. Si no lo es, crear una nueva abertura. Consultar → "Preparación para la instalación", Página 37
- Si la abertura es de madera, asegurarse de que esté pulida. Si es metal, asegurarse de que esté cubierta por una junta protectora.
- Asegurarse de que el calentador de agua se ajuste a 120° F (49° C) y la presión de agua sea de 15-145 psi (1-10 bar)
- Determinar el método de montaje en función del modelo de lavavajillas y el tipo de encimera. Consultar → "Soportes de montaje", Página 39.
- Utilizar únicamente el hardware incluido para la instalación. Si está sustituyendo un dispositivo, deseche la manguera anterior y el resto del equipamiento adecuadamente.
- Para evitar rayar el suelo, tenga lista una protección para el suelo para el momento de deslizar el lavavajillas dentro del gabinete.

2.5 Requisitos eléctricos

Asegurarse de que se cumplen los siguientes requisitos eléctricos.

Capacidad nominal del lavavajillas

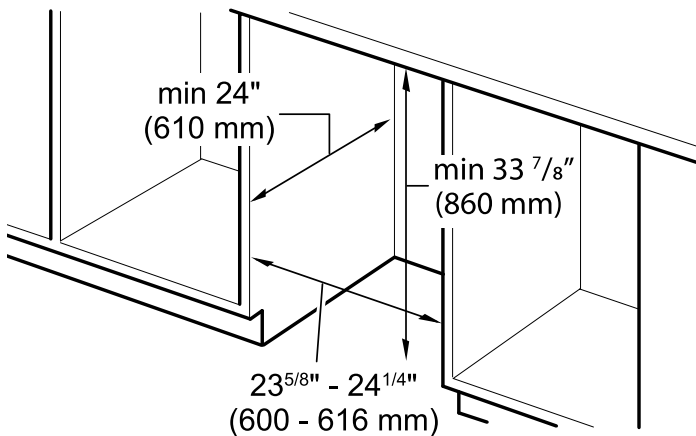
Voltios	120
Hercios	60
Amperios	12
Vatios	1,440 (máx.)

Suministro eléctrico

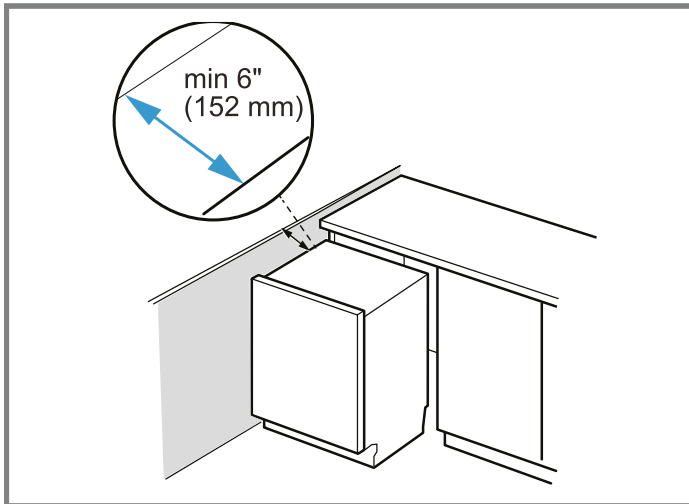
El cliente tiene la responsabilidad de garantizar que la instalación eléctrica del lavavajillas cumpla con todas las normas y reglamentos eléctricos locales y nacionales. El lavavajillas está diseñado para un suministro eléctrico de 120V, 60 Hz, CA, conectado a un circuito eléctrico propio del lavavajillas y correctamente puesto a tierra, con un interruptor automático o fusible de 15 o 20 amperios.

2.6 Requisitos del gabinete

Asegurarse de que el espacio del armario para la instalación tenga las dimensiones necesarias.



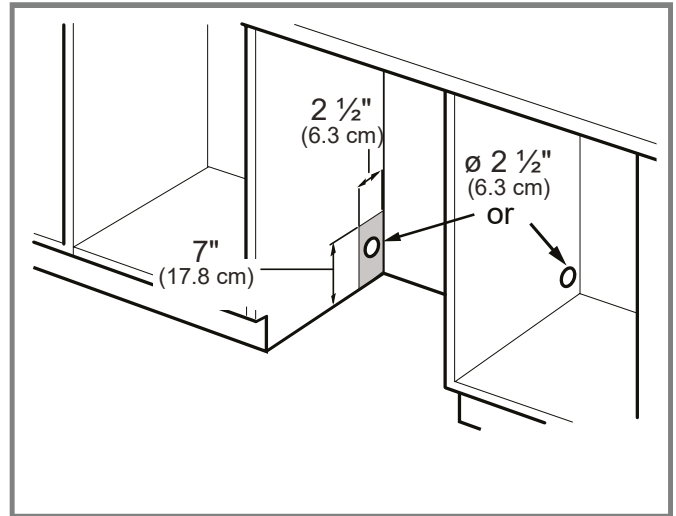
Si el lavavajillas debe instalarse en una esquina, asegurarse de que exista el espacio suficiente para abrir la puerta como se muestra.



3 Preparación para la instalación

Después de encontrar el lugar adecuado para el lavavajillas, crear una abertura en el lado adecuado para las líneas eléctricas, de agua y de desagüe.

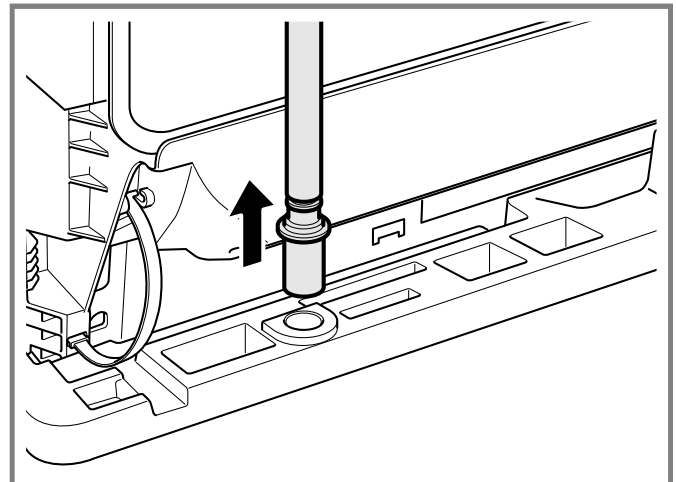
1. Cortar un agujero dentro del área de 7 x 2,5" mostrada.



Si la abertura se hace en madera, pulirla hasta que esté lisa con un papel de lija grueso.

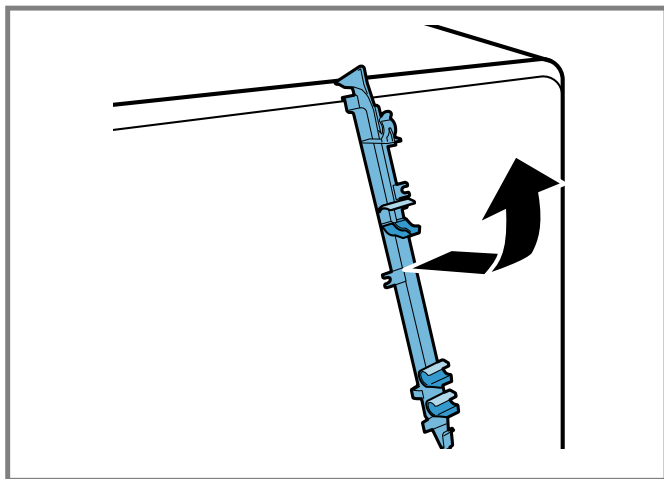
Si la abertura se hace en metal, utilizar el protector de bordes con el kit de clips para el cable de alimentación SMZEPCC1UC.

2. Extraer la manguera de desagüe de la base del embalaje como se muestra en la imagen.



3. Dejar la placa protectora del zócalo a un lado para utilizarla más tarde.

4. Retirar la abrazadera de la manguera que se encuentra en la parte posterior del lavavajillas.



Puede utilizarse más adelante para sujetar la manguera de desagüe dentro del armario.



4 Procedimiento de instalación

Seguir las instrucciones para instalar el lavavajillas.

4.1 Acoplar la manguera de entrada de agua

AVISO:

Filtro de entrada de agua

- ▶ No retirar el filtro del interior de la válvula de entrada de agua al conectar el suministro de agua. Es un filtro de residuos, no un tapón, que debe estar colocado en su lugar para un correcto funcionamiento.

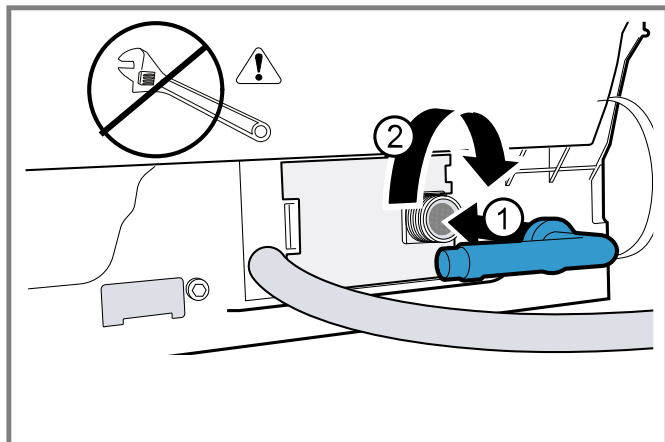
Evitar trasroscar la manguera

- ▶ De lo contrario, podrían producirse fugas.

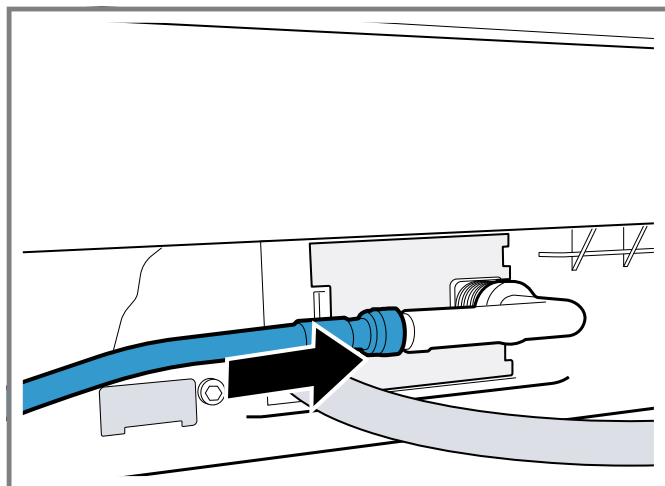
Cinta de teflón

- ▶ No utilizar cinta de teflón; podría causar fugas y dañar los suelos o gabinetes.

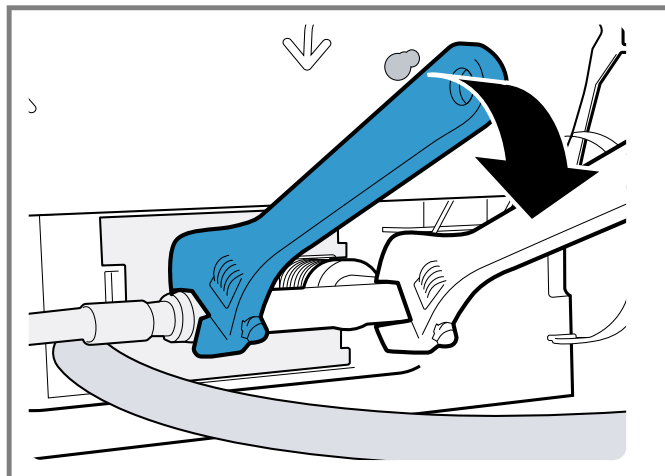
1. Acoplar una junta acodada en la válvula de entrada de agua con el extremo abierto hacia el fregadero, ya sea hacia la izquierda o hacia la derecha. ①. Girar con la mano y no apretar demasiado ②.



2. Acoplar la línea de agua caliente en el racor en codo.



3. Utilizar dos llaves para apretar, usando una para estabilizar y evitar esfuerzos sobre la válvula de entrada de agua.





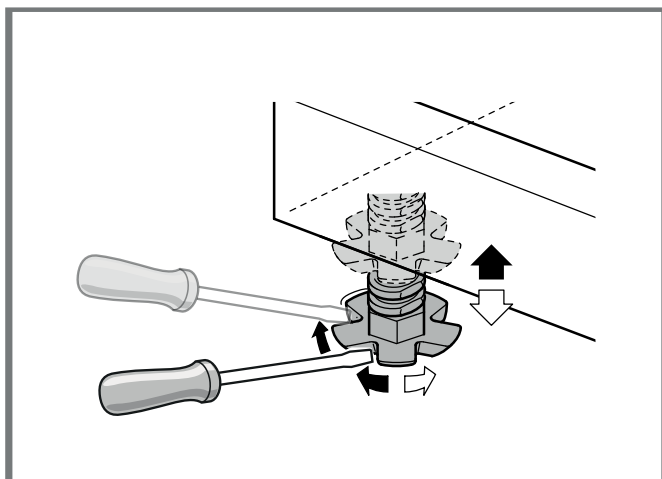
4.2 Comprobación visual de fugas

1. Conectar temporalmente el suministro de agua debajo del fregadero pasando por la parte frontal del gabinete del fregadero. No conectar la corriente ni empujar el lavavajillas dentro del nicho.
2. Encender el agua y comprobar si existen fugas en la conexión de la manguera de entrada de agua ubicada detrás del lavavajillas.

4.3 Nivelar provisionalmente el lavavajillas

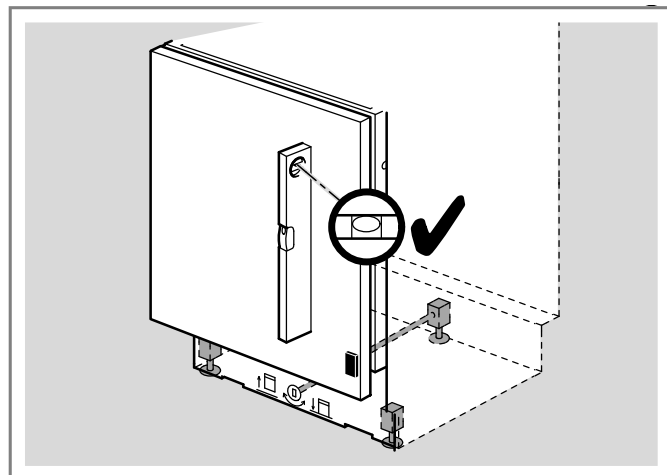
Regular el lavavajillas a la altura correcta antes de meterlo en el gabinete.

1. Medir la altura de la abertura del gabinete.
2. Elevar la parte frontal del lavavajillas hasta aproximadamente 1/2" más abajo que la altura de la abertura girando las patas en sentido horario.
 - Puede elevar el pie trasero cuando la unidad ya esté dentro de la abertura del gabinete.



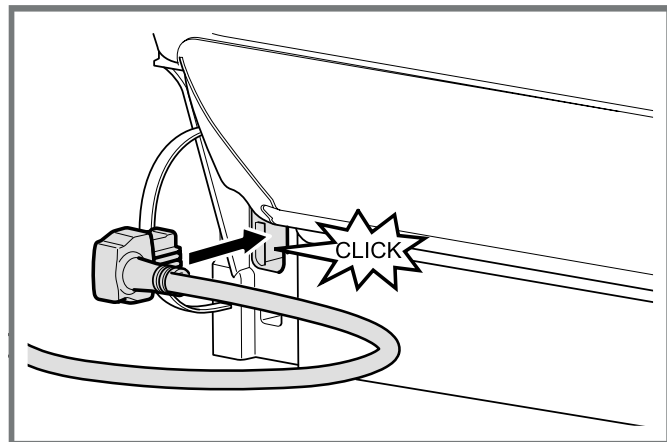
La unidad puede elevarse hasta una altura máxima de 34,5" (867,3 mm)

3. Utilizar un nivel sobre la parte frontal para comprobar que los dos pies estén nivelados. (El pie trasero se ajusta una vez que se encuentra dentro del gabinete).



4.4 Acoplar el cable de alimentación

- ▶ Conectar el extremo del cable de alimentación en la parte posterior del lavavajillas.
 - Asegurarse de introducirlo del todo, hasta que se asiente completamente.



La toma de corriente para el cable de alimentación debería estar en un gabinete o una pared adyacente al gabinete del lavavajillas.

No enchufar el lavavajillas a la toma de corriente de la pared hasta haber realizado todos los pasos de la instalación.

Notas

- Si se requiere un conexión de cables permanente, pedir el kit de accesorios para la caja de conexiones SMZPCJB1UC.
- Si la normativa eléctrica local exige abrazaderas para sujetar el cable al lavavajillas, utilizar el kit de accesorios SMZEPCC1UC.

4.5 Soportes de montaje

Antes de instalar los soportes de montaje suministrados, decidir qué método se va a utilizar para fijar el lavavajillas al lugar en el que está empotrado, arriba (madera o

material poroso) o en el lateral (piedra o superficie sólida). Una vez instalados los soportes de montaje en el lavavajillas, es difícil quitarlos y, al hacerlo, se dañarían tanto los soportes de montaje como el lavavajillas. Si dispone de una placa totalmente integrada, no instale los soportes de montaje antes de fijar la placa a la puerta.

⚠ ADVERTENCIA

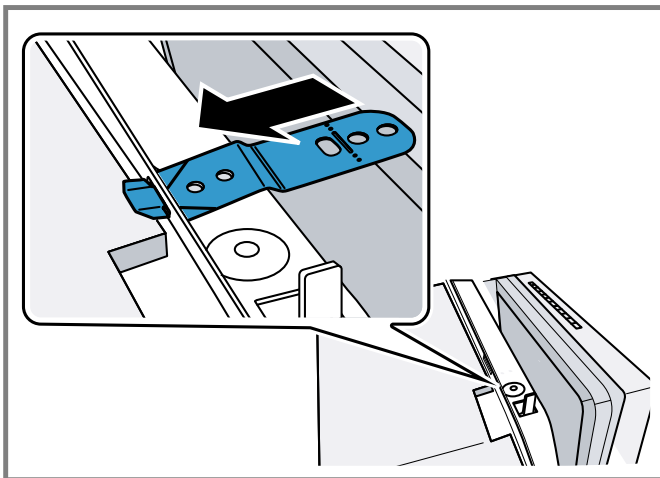
Evitar el peligro de vuelco

- ▶ No utilizar el lavavajillas hasta que esté completamente instalado. Para abrir la puerta de un lavavajillas no instalado, abrirla cuidadosamente mientras se sujeta la parte posterior de la unidad. Si no se sigue esta advertencia, podrían producirse lesiones graves.

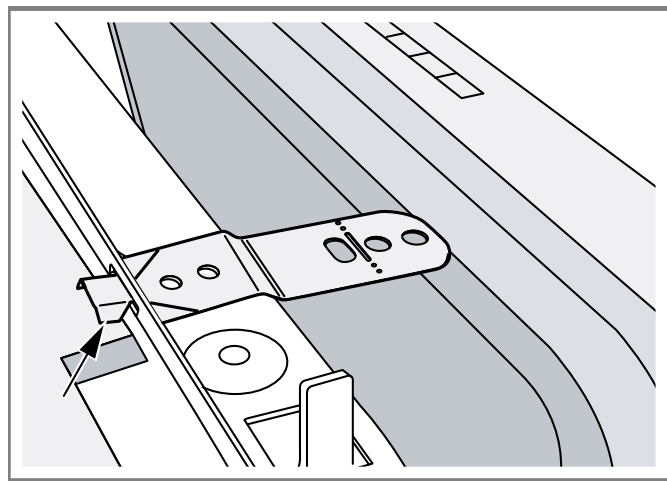
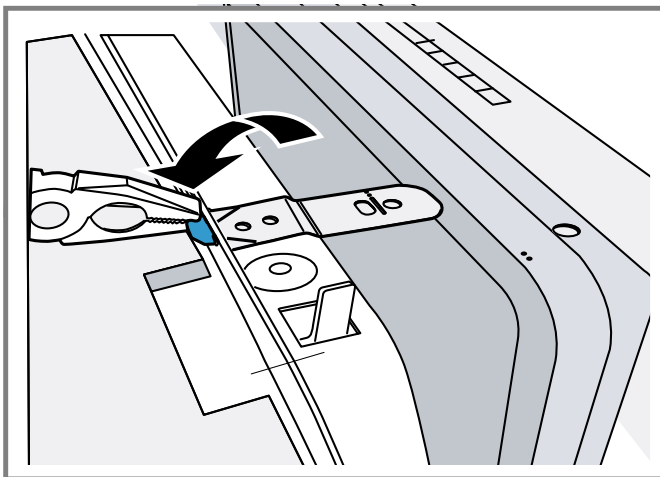
Montaje en la parte superior

El montaje en la parte superior se utiliza para encimeras de madera o de otros materiales que pueden taladrarse fácilmente.

1. Orientar los soportes de montaje e insertarlos en la ranura correcta.



2. Utilizando unas pinzas, doblar hacia abajo las pestañas. No acoplar todavía al gabinete.



Montaje en el lateral

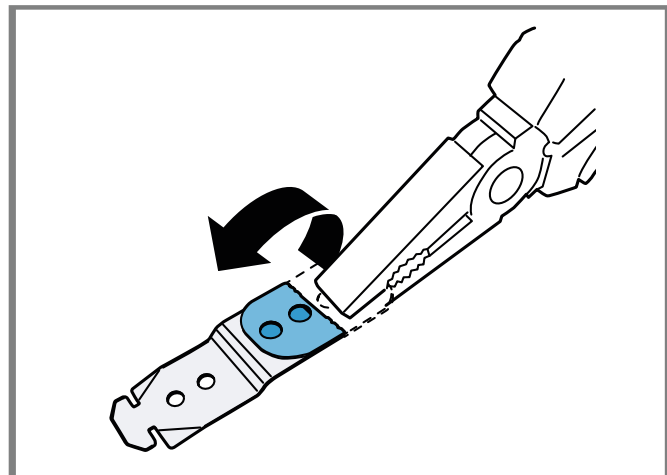
El montaje en el lateral se utiliza para encimeras de mármol, granito u otro material de superficie sólida que no sea fácil de taladrar.

⚠ PRECAUCIÓN

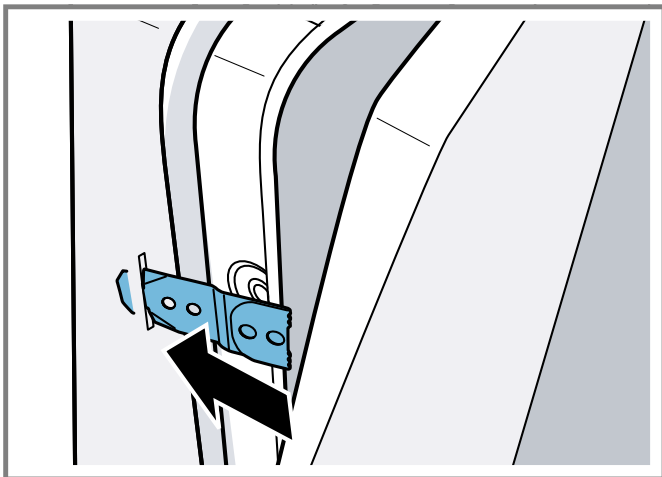
Evitar los bordes afilados

- ▶ No romper los soportes de montaje; se producirían bordes afilados.

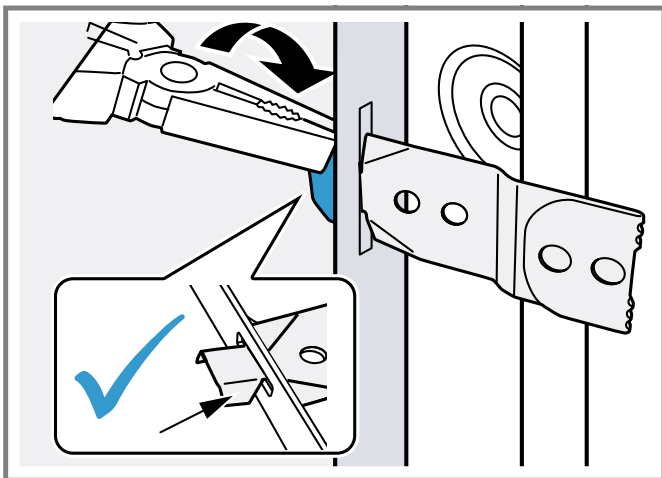
1. Agarrar el soporte de montaje con las pinzas y doblar el soporte sobre sí mismo en la perforación.



2. Deslizar la pestaña del soporte a través de las ranuras laterales en el bastidor.



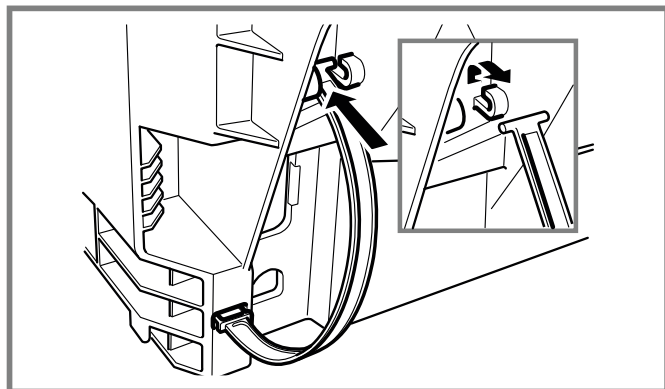
3. Utilizando unas pinzas, doblar las pestañas laterales. No acoplar todavía al gabinete.



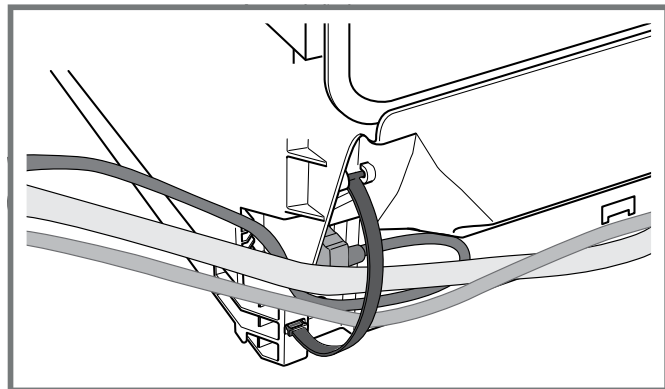
4.6 Preparar las mangueras y el cable de alimentación

La manguera de desagüe del lavavajillas está diseñada para un fregadero en el lado izquierdo del lugar de instalación. Si su fregadero se encuentra en el lado derecho, tendrá que reposicionar la manguera de desagüe detrás del lavavajillas antes de la instalación.

1. En caso necesario, desenganche la cinta y reposicione la manguera de desagüe como sea necesario (si su fregadero se encuentra en el lado izquierdo, deje la manguera como se ha suministrado).



2. Posicionar la manguera de desagüe, la manguera de entrada de agua y el cable de alimentación de forma que todos pasen por la cinta en el lado adecuado.



3. Devolver la cinta a su sitio para fijar las mangueras y el cable.



4.7 Instalar el lavavajillas en el espacio del gabinete

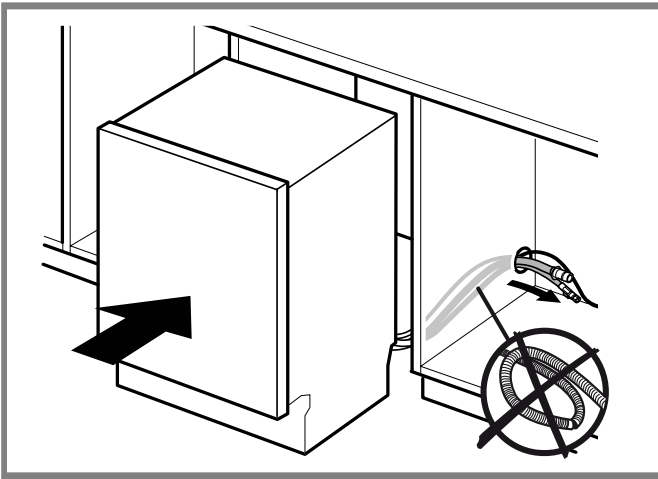
Para evitar rayar el suelo, utilizar una protección para el suelo y tener cuidado al deslizar el lavavajillas dentro del armario.

AVISO:

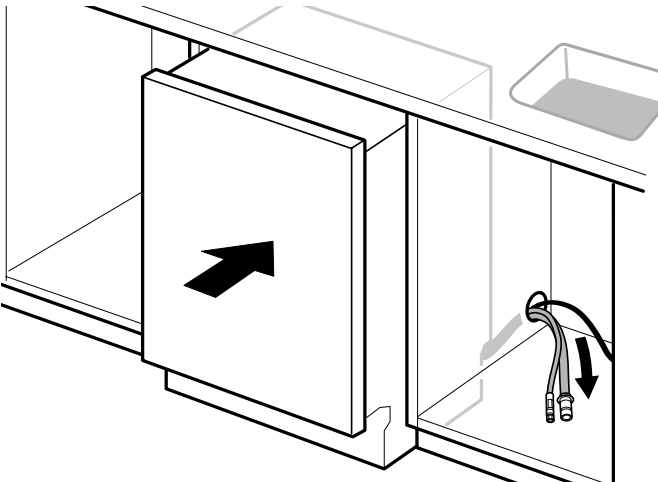
Evitar que los cables se tuerzan

► Tener cuidado al introducir el lavavajillas. Las mangueras se podrían doblar, torcer o romper y causar una obstrucción o una fuga.

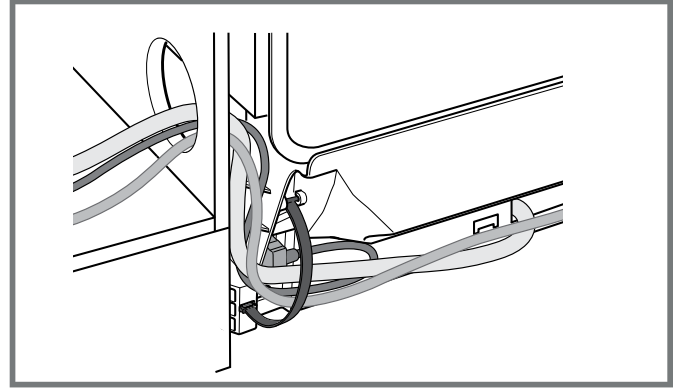
1. Introducir primero el cable de alimentación por el agujero inferior del gabinete y, a continuación, añadir las mangueras.
2. Utilizando las dos manos, empujar el lavavajillas 1/3 dentro del gabinete y parar.



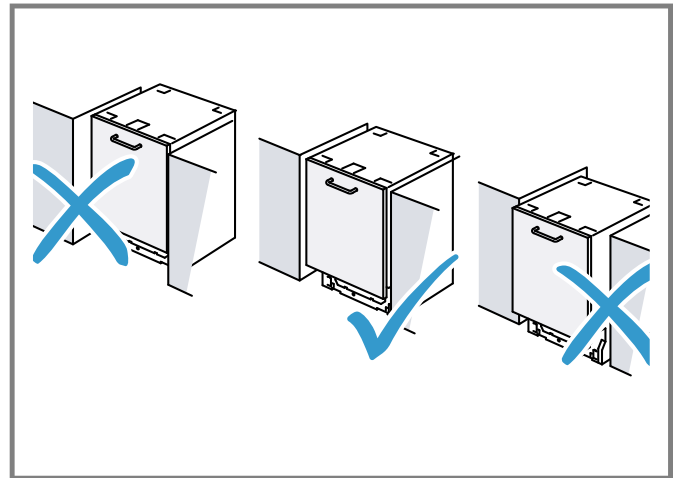
3. Pasar las mangueras y el cable de alimentación por el agujero del gabinete como se muestra en la imagen.
4. Empujar la unidad 2/3 dentro de la abertura y parar.



5. Dentro del gabinete adyacente, tirar de las mangueras y del cable de alimentación sobrante completamente de forma que no se tuerzan.



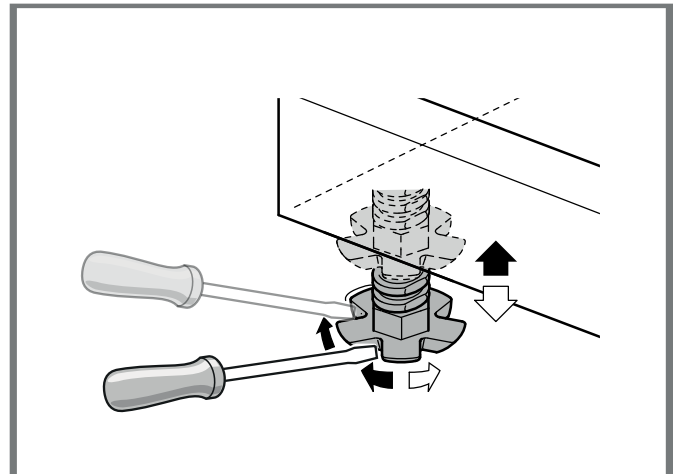
6. Finalmente, empujar la unidad hasta que esté a ras con la puerta del gabinete.



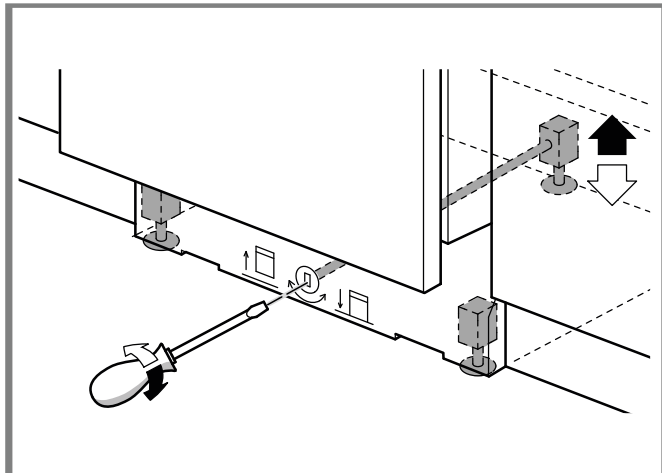
4.8 Nivelar el lavavajillas

Una vez que el lavavajillas está dentro del armario, comprobar de nuevo la nivelación.

1. Nivelarlo de lado a lado girando las patas en sentido horario para levantar o en sentido antihorario para bajar la parte frontal.

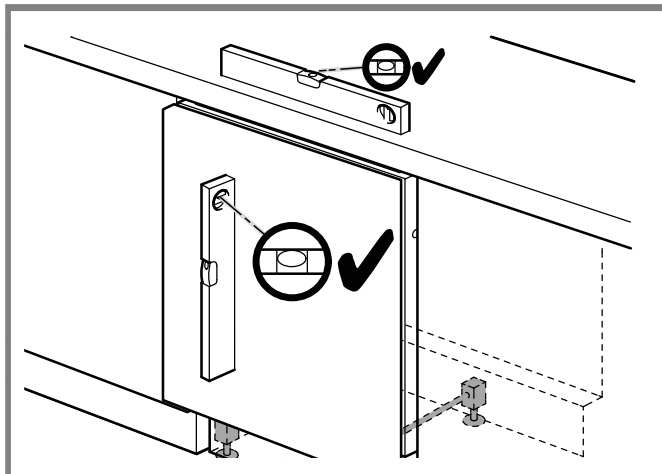


2. Nivelarlo de delante atrás girando el tornillo central en sentido horario para levantar o en sentido antihorario para bajar la parte posterior.

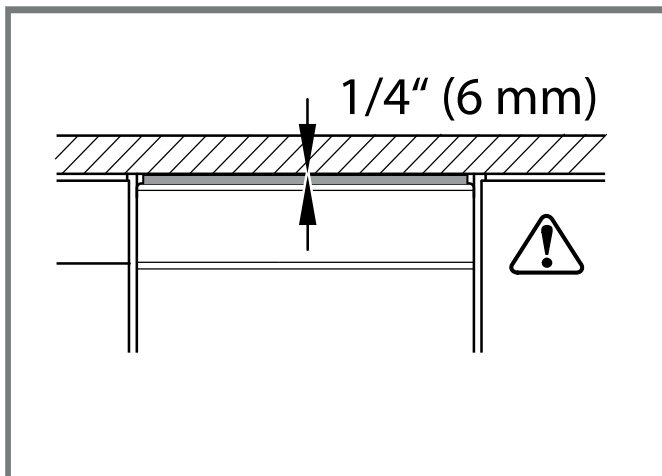


3. Utilizar un nivel para comprobar si el lavavajillas está nivelado.

- Asegurarse de que la encimera esté nivelada y ajustar el lavavajillas a la encimera.



4. Asegurarse de que la parte superior de la puerta no se encuentre a menos de 1/4" (6 mm) de la parte inferior de la encimera.

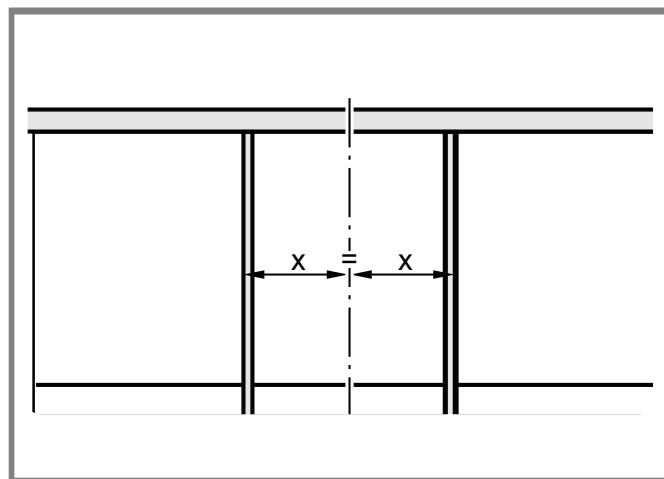


4.9 Montaje de la puerta exterior¹

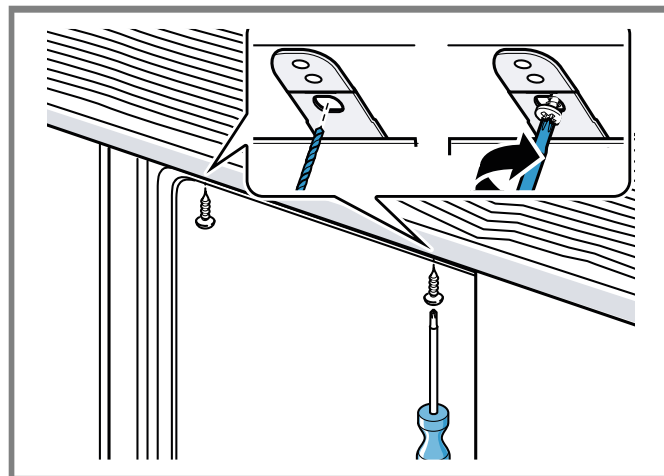
- Seguir las instrucciones para el montaje de la puerta exterior en la plantilla completamente integrada.

4.10 Fijar el lavavajillas

1. Centrar el lavavajillas en la abertura.



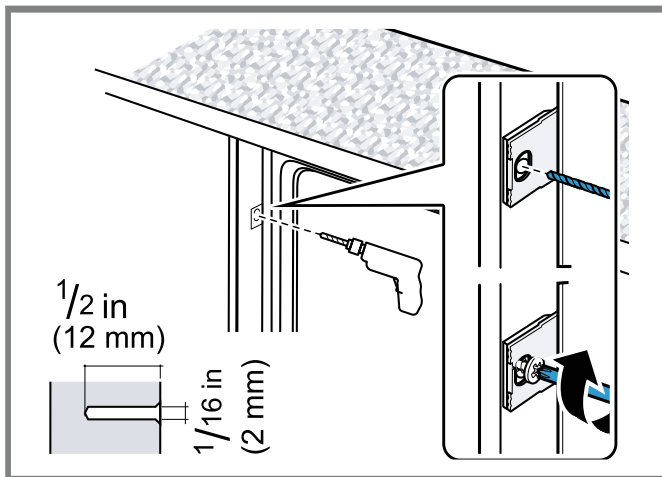
2. Si se utiliza el montaje en la parte superior, atornillar los tornillos del soporte de montaje en los agujeros de los soportes de montaje. Elija el agujero más adecuado para su instalación.



Si el lavavajillas se suministra con una barrera protectora, atornillar a través de la barrera.

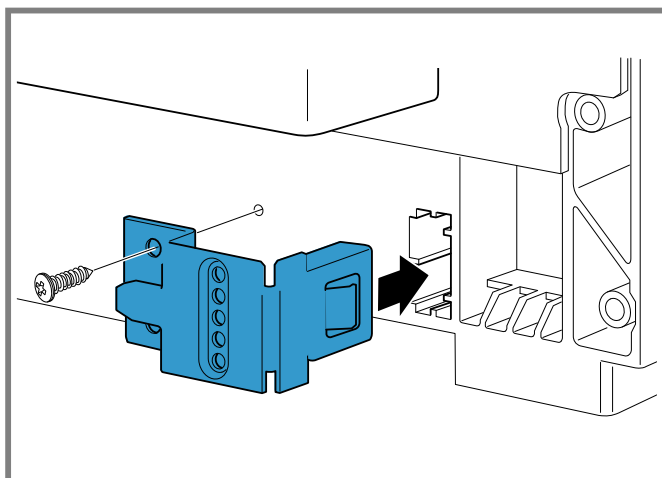
¹ Según el equipamiento del aparato

3. Para el montaje lateral, levantar la tapa de la moldura decorativa e insertar los tornillos debajo.



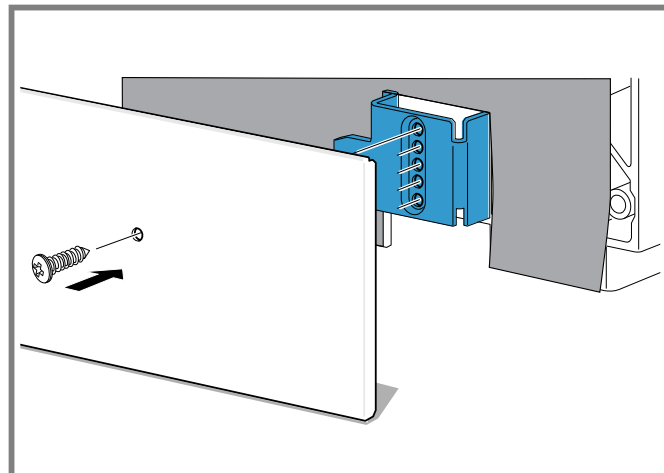
4.11 Acoplar la placa protectora del zócalo estándar

1. Insertar los soportes de la placa protectora del zócalo en las aberturas a ambos lados haciendo mucha presión hasta que encajen completamente.
2. Utilizar los tornillos de 3/4" (19mm) los soportes de la placa protectora del zócalo para montar los soportes de metal en la base



3. Deslizar la placa protectora del zócalo hasta su posición asegurando que la parte inferior de la placa protectora del zócalo esté a ras con el suelo.

4. Utilizar los tornillos de 9/16" (14mm) para montar la placa protectora del zócalo a través del agujero de forma que coincida con los soportes metálicos.



La altura de la placa protectora del zócalo se puede ajustar atornillando en un orificio diferente en el soporte.

5 Conexión del lavavajillas

Seguir las instrucciones para conectar el lavavajillas.

5.1 Instalar la conexión de entrada de agua

El calentador de agua debería ajustarse para suministrar agua al lavavajillas a aproximadamente 120 °F (49 °C) [max. 140 °F/ (60 °C)]. El agua demasiado caliente puede hacer que algunos detergentes pierdan eficacia. Temperaturas bajas del agua alargarán los tiempos de funcionamiento. La presión del suministro de agua caliente debe estar entre 7,25 - 145 psi (0,5 - 10 bar).

⚠ ADVERTENCIA

Peligro de escaldaduras

- ▶ No realizar ningún trabajo en una línea de agua caliente bajo presión. Podrían producirse lesiones graves. Solo fontaneros cualificados deberían realizar trabajos de fontanería. No trate de realizar ningún trabajo en las tuberías de suministro de agua caliente hasta estar completamente seguro de que el circuito de agua caliente está cerrado.

AVISO:

Soldar las tuberías

- ▶ Las temperaturas necesarias para la soldadura de tuberías pueden dañar el lavavajillas. Si es necesario soldar las tuberías, mantener la fuente de calor a una distancia de al menos 6 pulgadas (152,4 mm) del lavavajillas.

Normas de fontanería

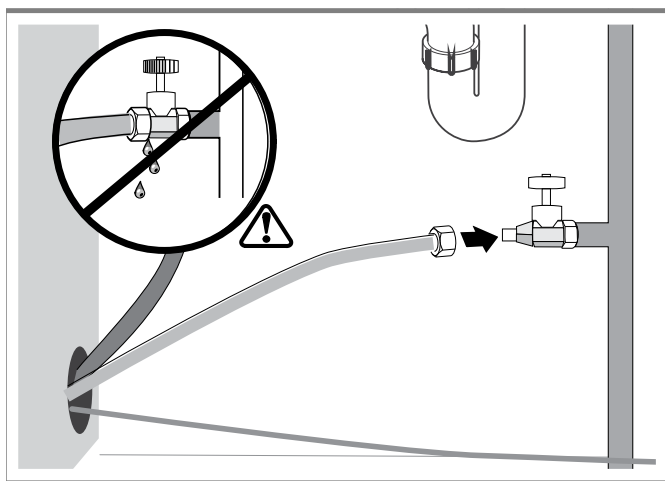
- ▶ Comprobar las normas de fontanería para procedimientos y accesorios de fontanería aprobados. Todos los trabajos de fontanería deberían realizarse conforme a la normativa local y nacional.

Nota

Notas importantes acerca del suministro de agua:

- Si se utiliza una junta de soldadura en lugar de un racor mecánico, asegurarse de completar todas las uniones de soldadura antes de conectar la línea de suministro de agua al lavavajillas.
- Utilizar una línea de suministro de agua para el lavavajillas aprobada, con los racores adecuados para esta conexión.
- Si se utiliza una tubería de cobre u otro material no representado en este manual para el suministro de agua, recurrir a un fontanero autorizado para que realice una instalación adecuada.
- Utilizar siempre juntas adecuadas al realizar las conexiones de las tuberías.

1. Dejar pasar agua por la línea de entrada de agua durante aproximadamente 1 minuto para eliminar cualquier material extraño.
2. Conectar la línea de suministro de agua del lavavajillas al grifo de cierre utilizando el adaptador si está incluido con su modelo. Girar con la mano y no apretar demasiado.
 - Instalar un grifo de cierre si no existe ya uno en la línea de suministro.
 - Asegurarse de que no haya curvas ni pliegues en la línea de agua que pudiesen impedir el flujo de agua.



3. Una vez realizadas todas las conexiones, encender el agua caliente y comprobar si existen fugas.

5.2 Instalar la conexión de desagüe

La manguera de desagüe debe estar instalada con un bucle alto o con una separación para ventilación.

AVISO:

Instalación adecuada de la manguera de desagüe

- ▶ La manguera de desagüe del lavavajillas debe instalarse con una parte de ella al menos a 33" (84 cm) del suelo; de lo contrario, es posible que el lavavajillas no desagüe correctamente.

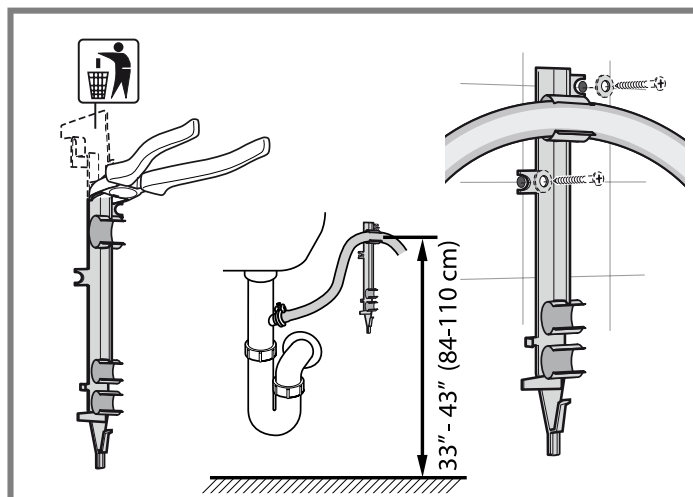
Retirar el tapón para eliminación de residuos

- ▶ Si la manguera de desagüe del lavavajillas se va a conectar a una conexión para eliminación, retirar primero el tapón de la conexión para eliminación de residuos.

Nota

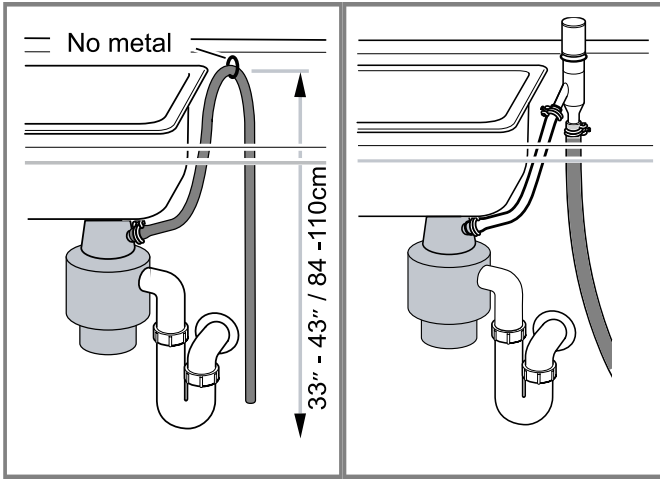
Notas importantes acerca de la conexión para el desagüe:

- Si los reglamentos locales exigen una separación para ventilación, instalarla de acuerdo con las instrucciones del fabricante.
- La largura de la manguera de desagüe puede ampliarse en caso necesario. Utilizar el kit #SGZ1010UC. La longitud máxima de la manguera de desagüe, incluida la manguera que va a la separación para ventilación, es de 150" (380 cm).
- Puede fijar la abrazadera de la manguera en el interior del gabinete adyacente para colgar la manguera de desagüe (los tornillos no se suministran) en lugar de utilizar un lazo no metálico como se muestra en las siguientes ilustraciones. La altura de la manguera de desagüe no debe superar las 43".

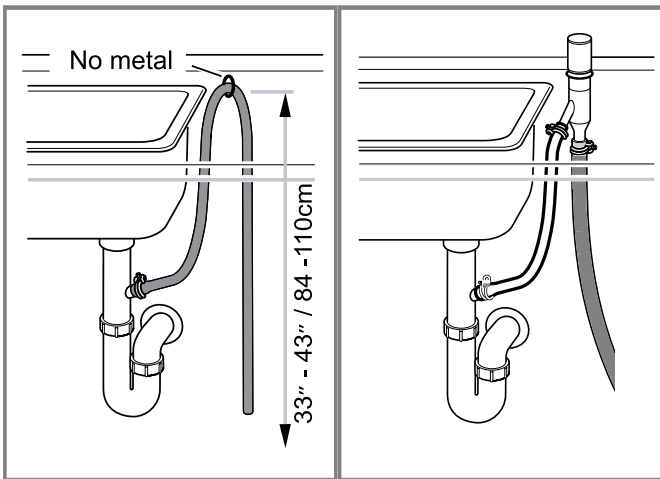


1. Colocar la abrazadera de la manguera alrededor del extremo de la manguera de desagüe ANTES de conectarla a las tuberías.
2. Si tiene una eliminación de residuos, conecte la manguera de desagüe a la eliminación de residuos con un bucle alto o una separación para ventilación.

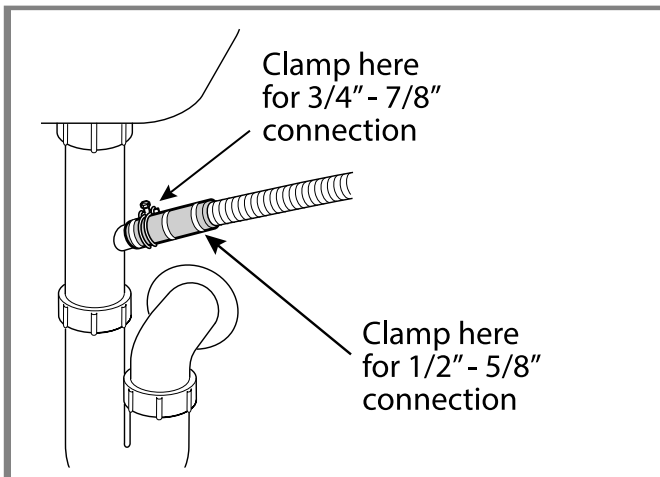




3. Si no tiene una eliminación de residuos, conecte la manguera de desagüe a la conexión de desagüe con un bucle alto o una separación para ventilación.



4. Apriete la abrazadera de la manguera alrededor de las tuberías domésticas.



5.3 Conexión eléctrica y ciclo de prueba

1. Para todas las conexiones de toma de corriente en pared, conecte el lavavajillas a la toma de corriente.
2. Encienda el suministro eléctrico.
3. Asegúrese de que el suministro de agua esté encendido.
4. Encienda el lavavajillas y realice un ciclo de prueba durante 15 minutos.
5. Asegúrese de que el ciclo esté en marcha y no haya fugas durante el funcionamiento.
6. Detenga el ciclo y apague el lavavajillas.
7. La instalación se ha completado.

6 Servicio de atención al cliente

En cada reparación cubierta por la garantía, nos aseguramos de que su aparato sea reparado con repuestos originales por un proveedor de servicio capacitado y autorizado. Solo utilizamos repuestos originales para todos los tipos de reparaciones. Las informaciones detalladas sobre el periodo de validez de la garantía y las condiciones de garantía las podrá encontrar en nuestras condiciones de garantía, con su distribuido o en nuestra página web.

Cuando se ponga en contacto con el servicio de atención al cliente, no olvide indicar el número de modelo (E-Nr.) y el número de fabricación (FD) de su aparato.

USA:

1-800-735-4328

www.thermador.com/support

www.thermador.com/us/accessories

CA:

1-800-735-4328

www.thermador.ca

www.thermador.ca/en/support/filters-cleaners-accessories

Aquí podrá encontrar ayuda para la conexión con Home Connect®:

www.home-connect.com/us/en/help-support/set-up

6.1 Número de modelo (E-Nr.) y número de fabricación (FD)

El número de modelo (E-Nr.) y el número de fabricación (FD) se encuentran en la placa de características del aparato.

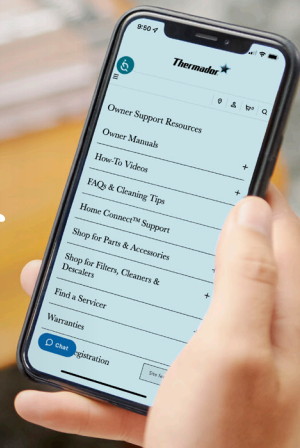
La placa de características se encuentra en la parte interior de la puerta del aparato.

Para volver a encontrar rápidamente los datos del aparato o el número de teléfono del servicio de atención al cliente, puede anotar dichos datos.



A series of horizontal lines for writing, starting from the top line and extending down the page.

Thermador[®] ★ Exclusive Insider Information



[Thermador.com/us/support/quicklinks](https://thermador.com/us/support/quicklinks)



Owner Manuals

Download owner manuals, specifications and CADs.



How-To Videos

View instructional videos for changing water filters, cleaning, adjusting settings, and beyond.



FAQs & Cleaning Tips

Browse through cleaning, usage, and troubleshooting tips.



Home Connect[®] Support

Find the answers to all your Home Connect[®] related questions.



Thermador Accessories Store

Purchase filters, cleaners, accessories, and parts.



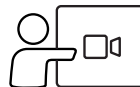
Warranties

View information on Thermador product warranties.



Product Registration

Register your products today to easily manage your appliance information.



Virtual Demo

Schedule a product overview to receive step-by-step guidance on using your appliance.



Virtual Showroom

Take a Virtual Showroom tour to view and interact with our entire collection of appliances.



Newsletter

Get the latest information on product news and events.



Blog

Read about the latest in home design and culinary inspiration.



Recipes

Need inspiration for your next gathering? Browse our vast collection of recipes.

1901 MAIN STREET, SUITE 600 IRVINE, CA 92614 USA // 1-800-735-4328 // WWW.THERMADOR.COM

© 2024 BSH HOME APPLIANCES CORPORATION

9001857258 // en-us, fr-ca, es-mx // 040618

