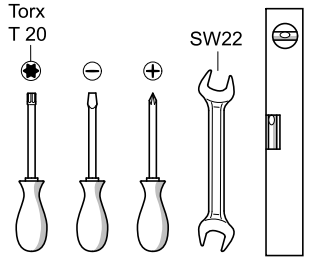
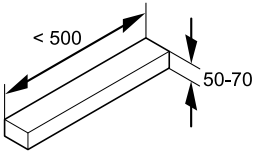
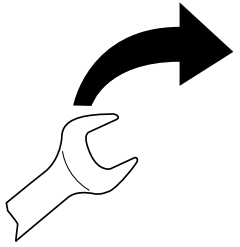
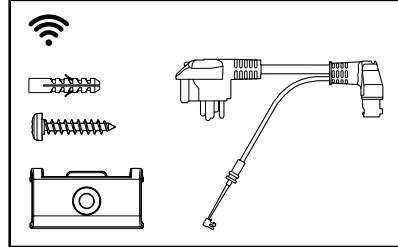
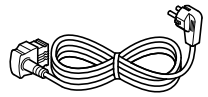
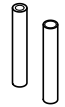
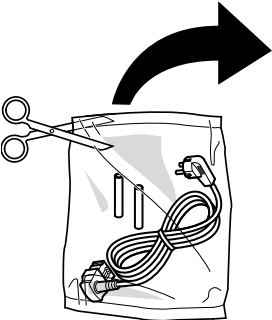


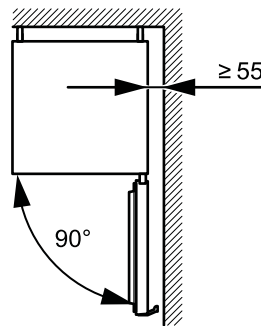
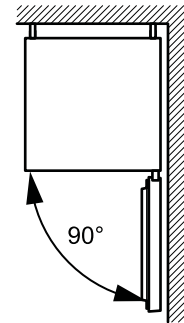
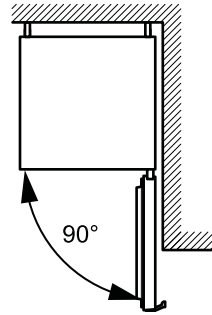
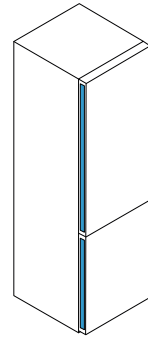
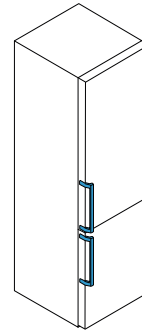
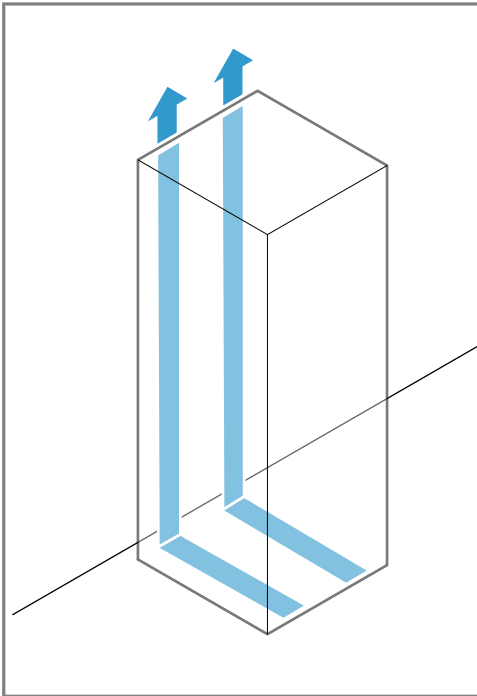
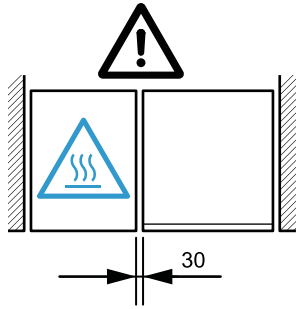
9001778630 (021219)

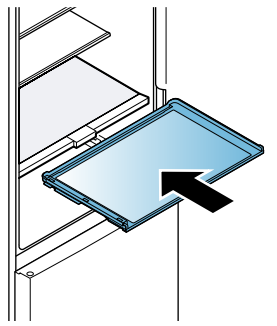
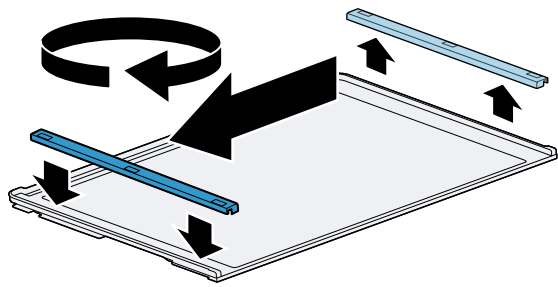
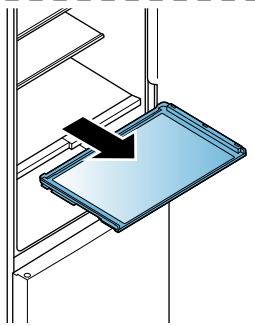
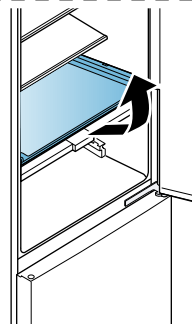
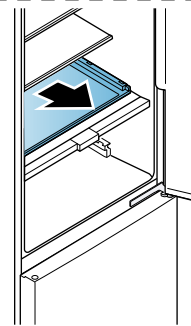
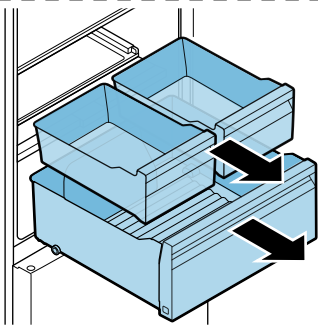
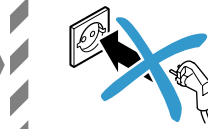
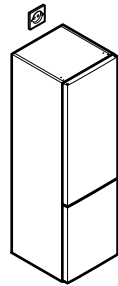
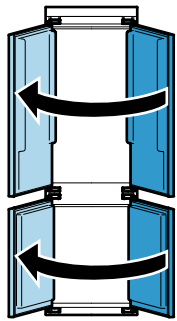
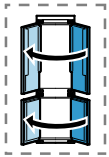


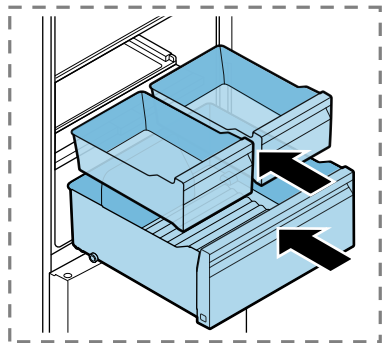
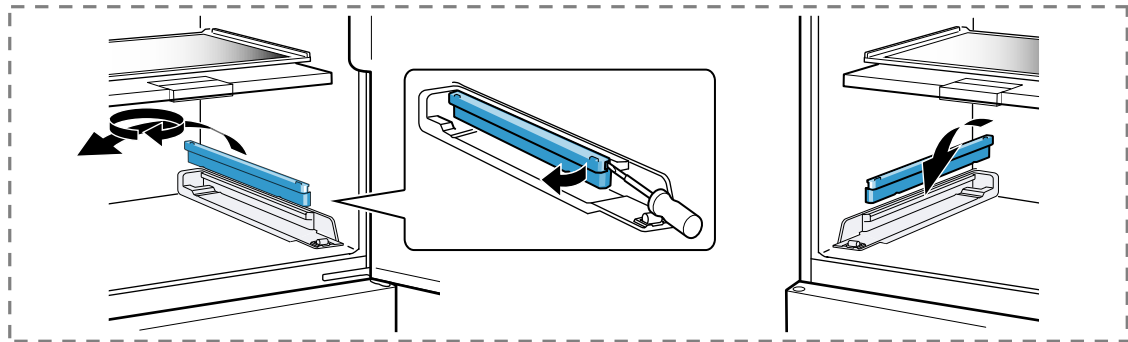
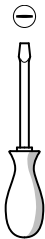
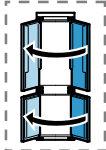
- de** Montageanleitung
- en** Installation instructions
- fr** Notice d'installation
- it** Istruzioni d'installazione
- nl** Installatie-instructies
- es** Instrucciones de montaje
- pt** Instruções de instalação
- el** Οδηγίες εγκατάστασης
- da** Installationsvejledning
- no** Installasjonsveiledning
- sv** Installationsanvisningar
- fi** Asennusohjeet
- et** Paigaldusjuhised

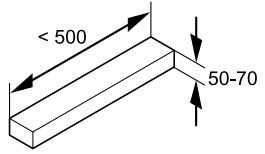
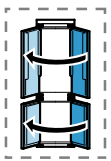
- lt** Įrengimo instrukcijos
- lv** Uzstādīšanas instrukcijas
- pl** Instrukcja montażu
- hu** Telepítési útmutató
- cs** Pokyny k instalaci
- sl** Navodila za montažo
- uk** Інструкція з монтажу
- kk** Орнату нұсқаулықтар
- ru** Инструкция по установке
- tr** Kurulum talimatları
- ro** Instrucțiuni de instalare
- sk** Pokyny na inštaláciu
- ar** تعليمات التركيب



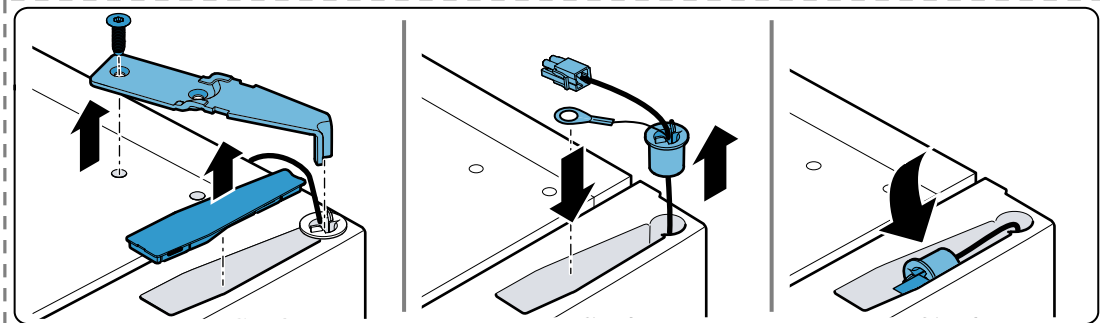
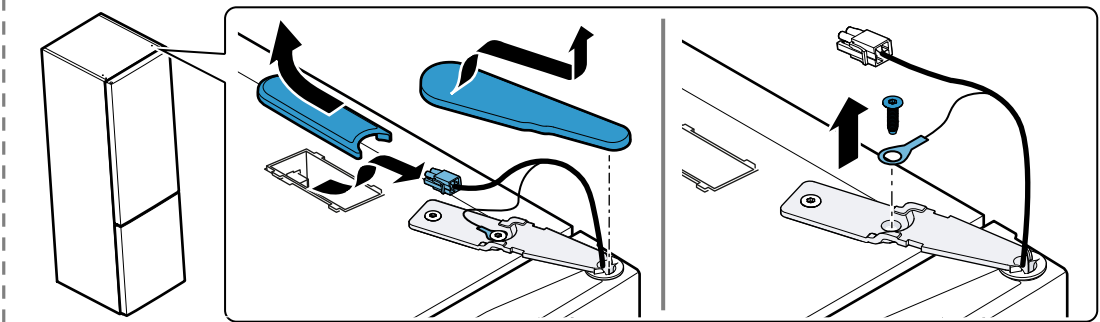
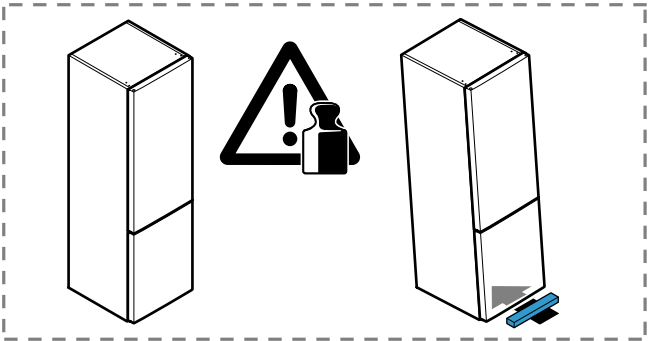


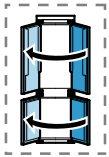




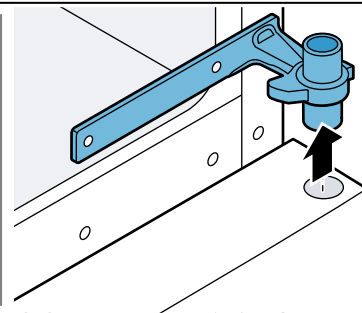
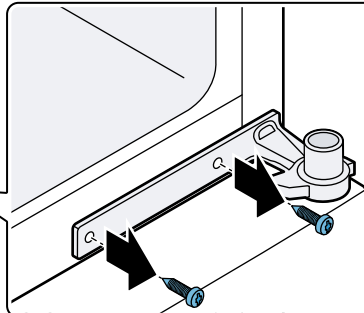
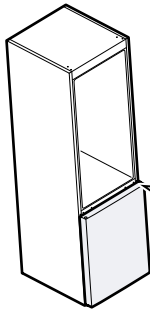
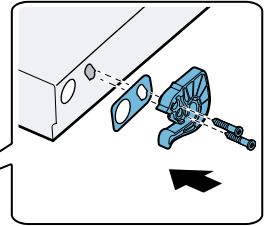
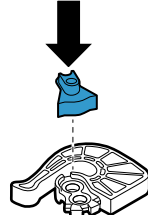
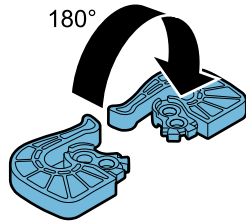
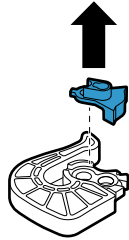
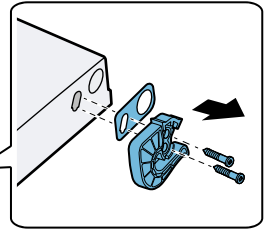
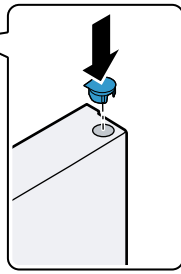
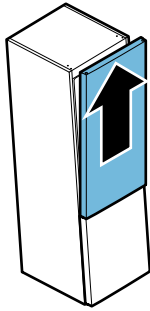


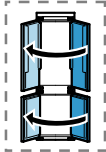
Torx
T 20



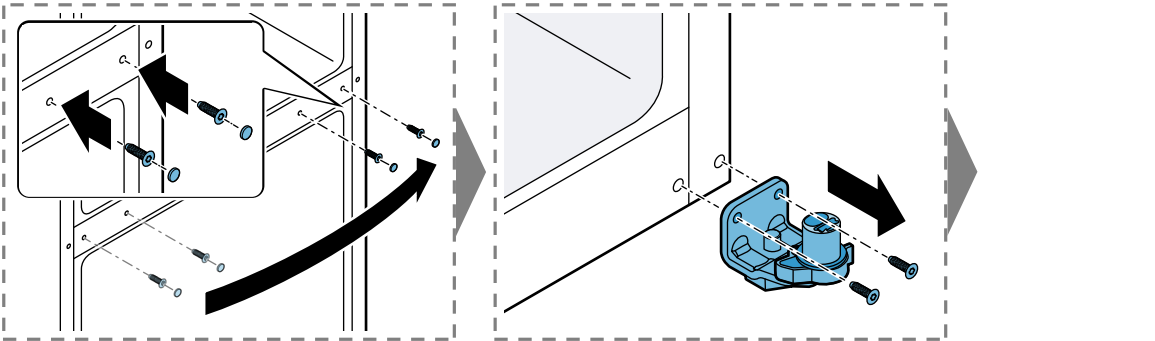
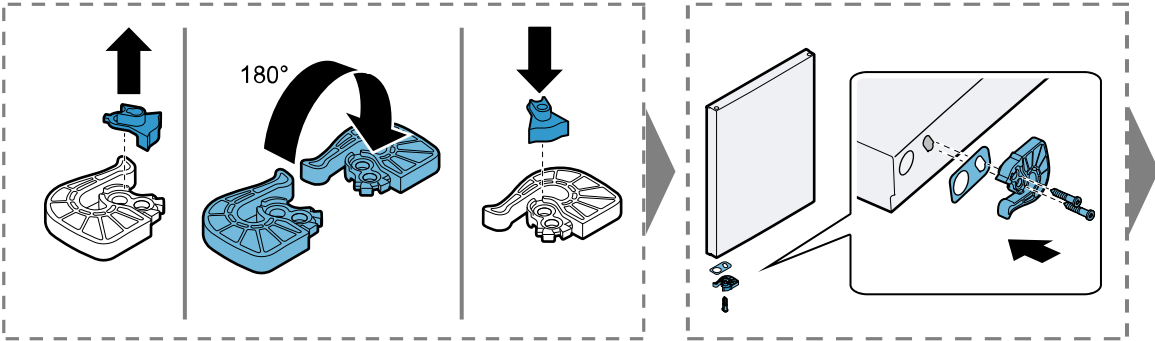
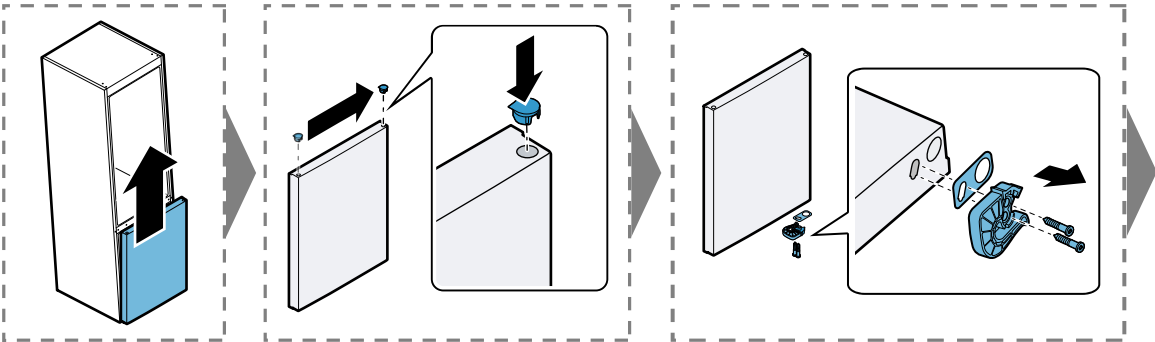
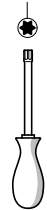


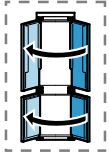
Torx
T 20



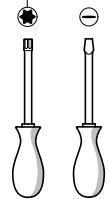


Torx
T 20

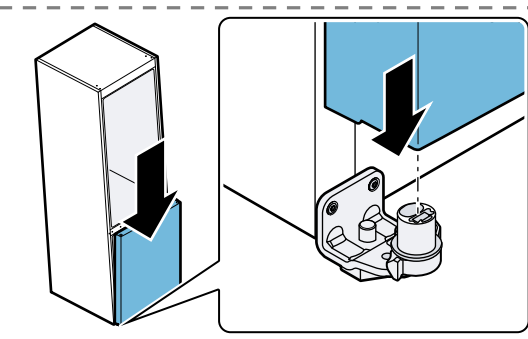
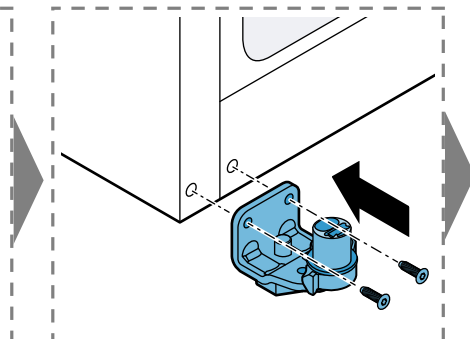
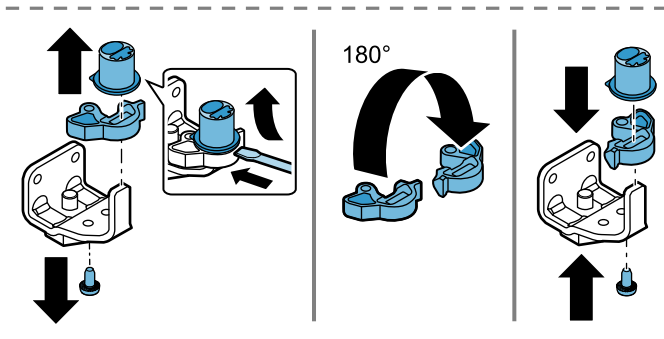
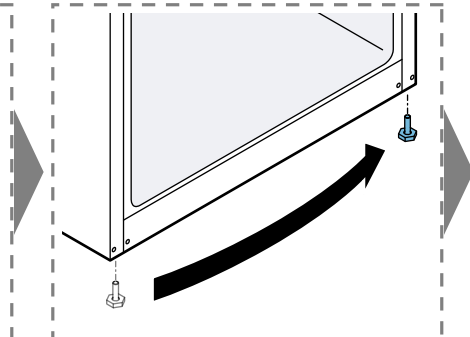
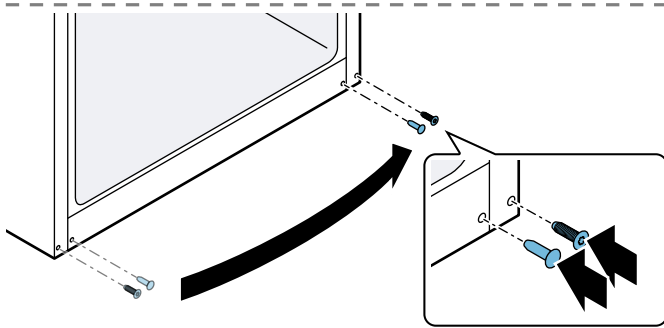
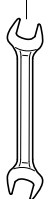


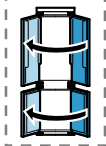


Torx
T 20

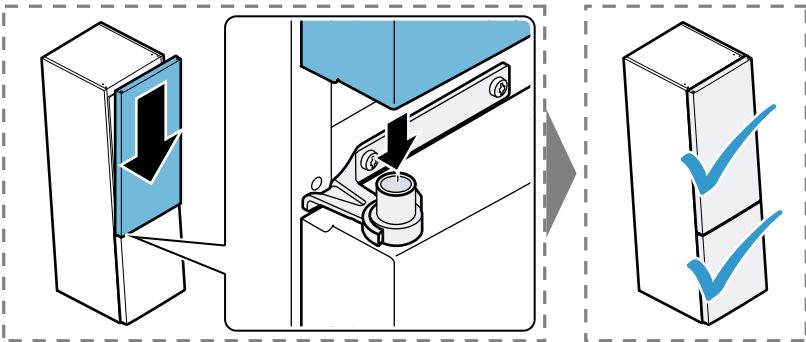
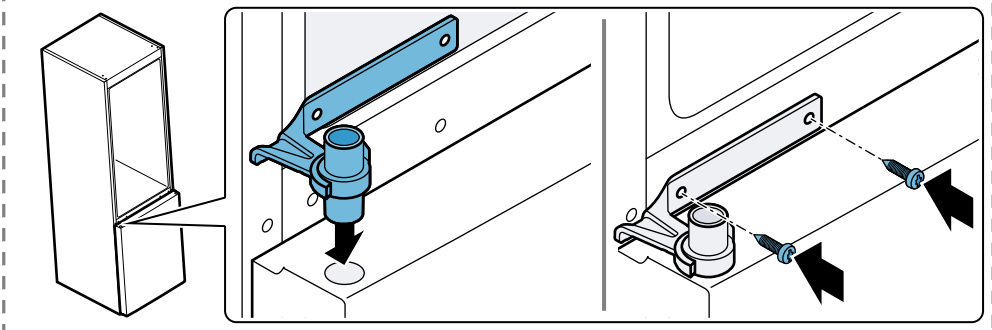
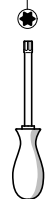


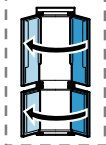
SW22



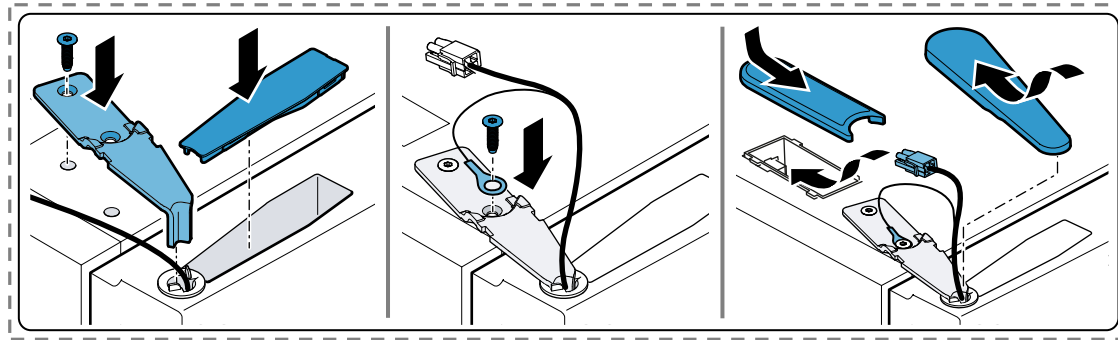
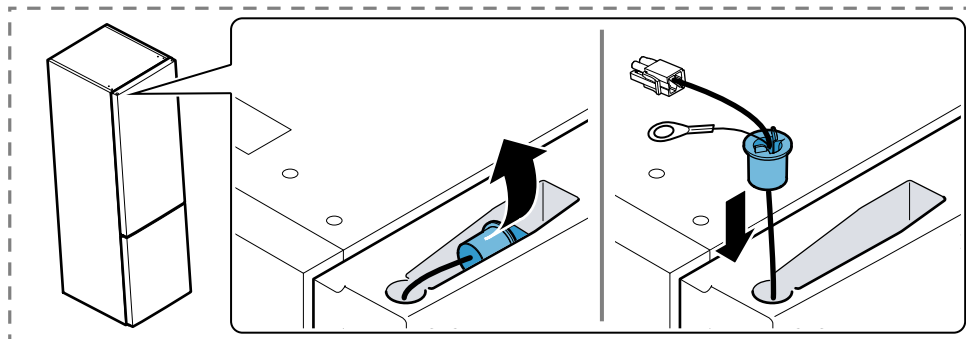
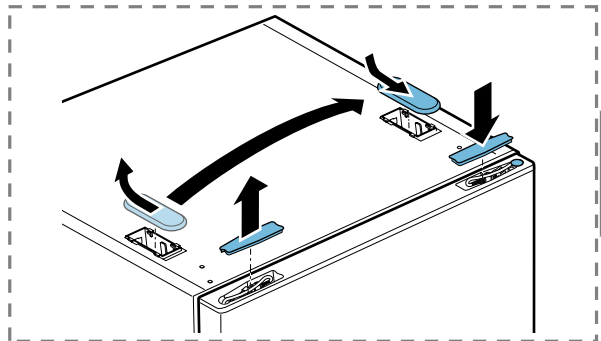
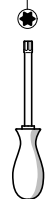


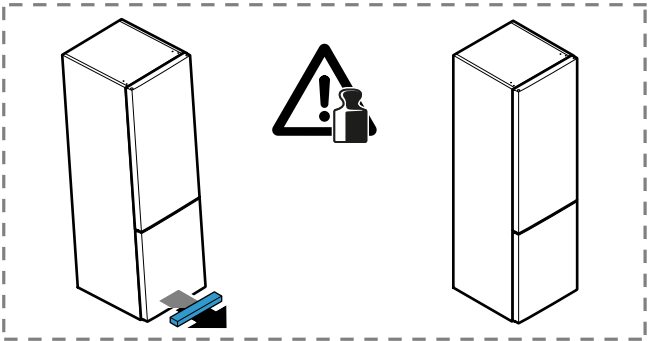
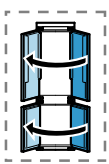
Torx
T 20

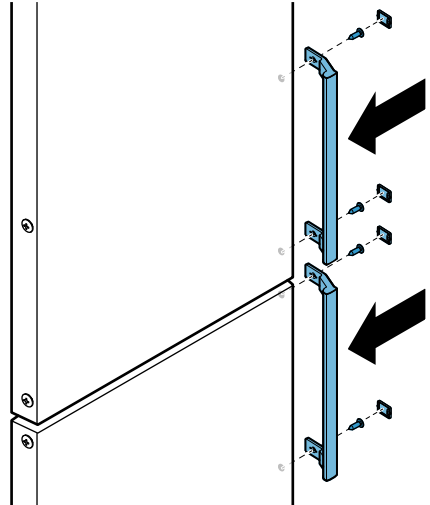
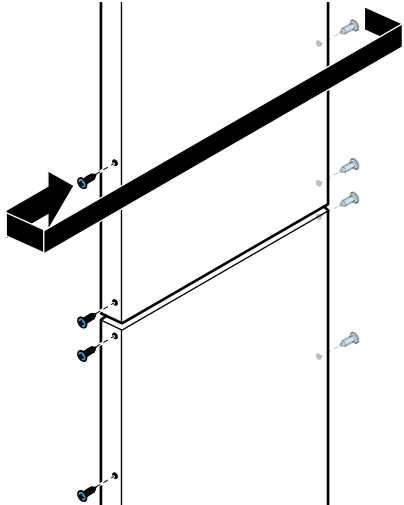
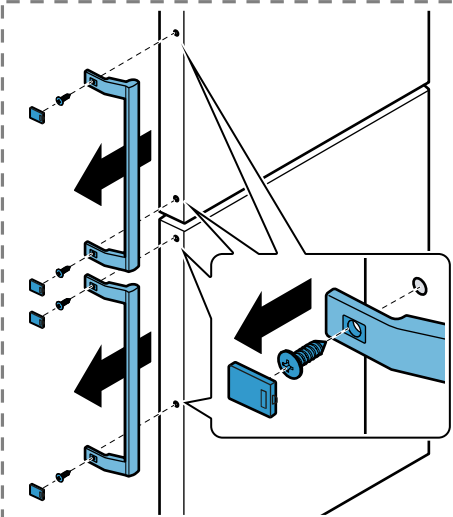
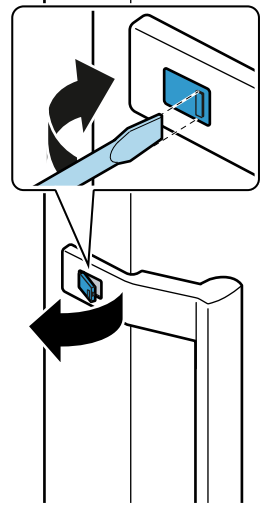
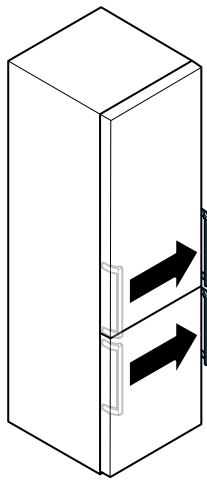
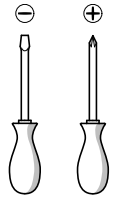
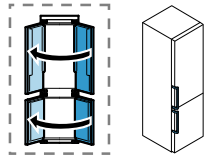


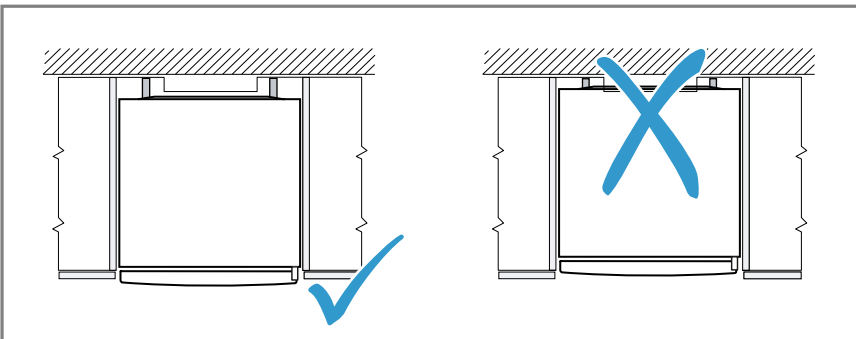
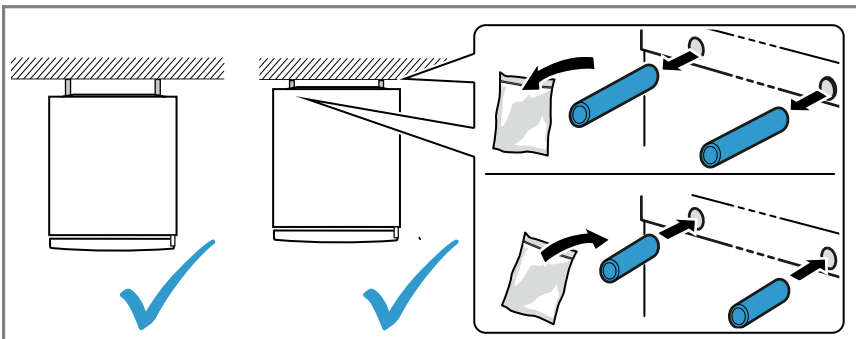
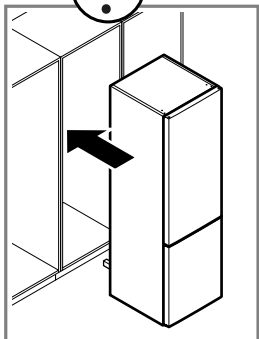
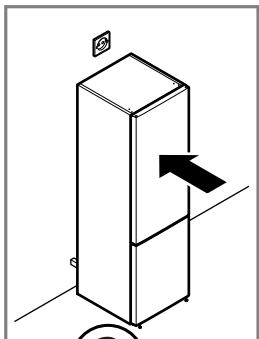
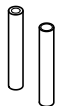


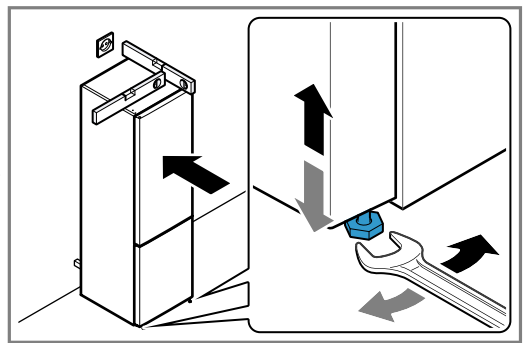
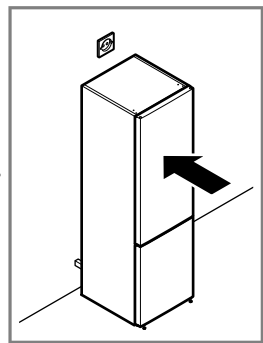
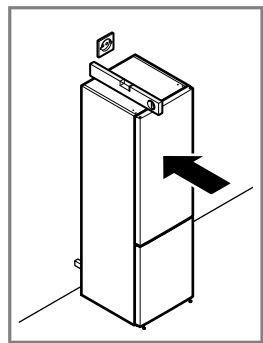
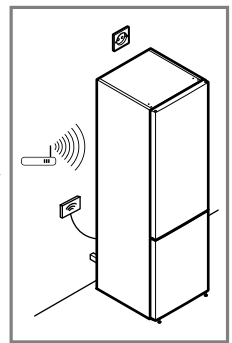
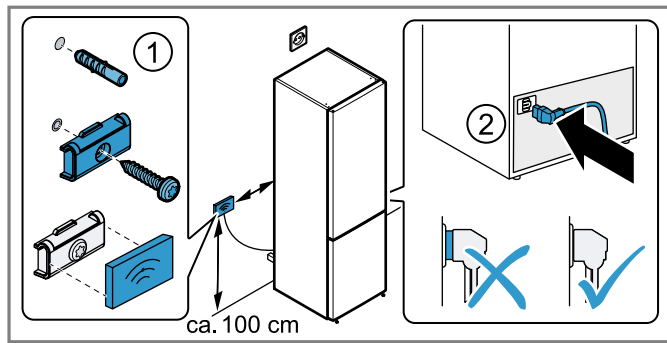
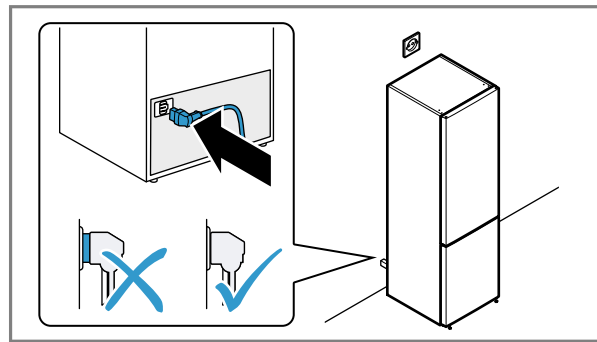
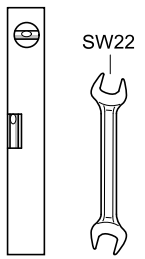
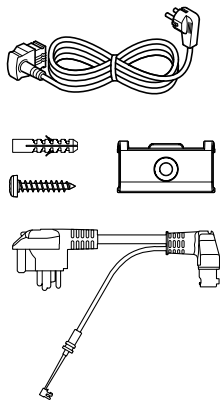
Torx
T 20













A series of horizontal lines for writing, starting from the top of the page and extending down to the bottom. A vertical line is positioned on the left side of the page, creating a margin.